

TERRAZZO STOOL

14.5" diameter x 17" h

Grey / White	70TERGWSTL
Grey / Black	70TERGBSTL
Rocky Beach	70TERRBSTL



A MODERN ACCENT WITH AN ELEGANT TWIST,

our Terrazzo Stools are artisan-crafted from terrazzo concrete. This durable, low-maintenance composite is speckled with chips of marble in varying shapes and sizes to create luxurious, unique surfaces. Each piece is polished and sealed for a smooth shape.

PRODUCT DETAILS

- + Vietnamese artisans craft these stools from terrazzo—a composite concrete speckled with chips of marble in varying shapes and sizes.
- + Terrazzo surfaces are polished and sealed, resulting in a beautiful, smooth surface.
- + Terrazzo is durable, low-maintenance, and adds a layer of luxury to any outdoor or indoor living space.
- + Due to the inherent variety found in Terrazzo surfaces and hand-applied finishing, no two pieces will be exactly alike. Variations in color and texture, due to the distribution of stones, make each truly one-of-a-kind.
- + Maximum weight capacity: 110 lbs.
- + Keep your furniture looking its best. Visit [arhaus.com](https://arhaus.com) or speak to any Arhaus Design Consultant for care recommendations.

CUSTOM-FIT OUTDOOR FURNITURE COVERS

Protect your furnishings with resilient Sur Last® covers—specifically tailored to fit Arhaus outdoor collections. Speak to a design consultant for details.

shown in  
Driftwood Grey Teak/ White Wicker

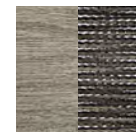


## STUNNING YET STURDY OUTDOOR SEATING

Featuring a sleek, cushionless design, our trendy Tulum Collection will frame your outdoor space in resilient style and comfort. Durable frames are craftsman-built from solid, sustainably harvested teak wood. Selected for its natural oils which resist moisture and prevent drying, teak is exceptionally hardy and will last season after season. Seats are handwoven by furniture artisans from all-weather wicker. This one-of-a-kind resin-strand wicker displays varied high and low tones, which add beautiful depth to woven surfaces.

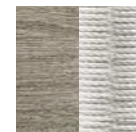
### PRODUCT DETAILS

- + This collection is crafted from sustainably harvested teak wood, selected for its natural beauty and durability.
- + Teak hardwood contains natural oils that repel insects, prevent drying, and resist moisture. Teak is also resistant to fungal decay, rotting, and warping due to temperature or humidity.
- + Artisan-crafted finishes are applied by hand, using pigment and a wire brush to create subtly distressed appearances.
- + Small imperfections may expose underlying teak wood. If left uncovered, finishes will gradually fade after a season of use. Exposed teak will gradually acquire a beautiful silvery-grey patina (typical of untreated teak wood), adding unique character to your piece.
- + Our handwoven All-weather resin wicker is specially formulated and hand-finished by artisans to resemble authentic rattan. This one-of-a-kind formula is created specifically for Arhaus to be as beautiful as it is durable.
- + Finished all-weather wicker features varying high and low tones that mimic the appearance of natural materials. Dry-brushing creates organic textures and adds depth to woven surfaces.
- + All-weather resin fibers are highly resistant to mildew, fading, sagging, staining, tearing, and cracking.
- + Keep your furniture looking its best. Visit [arhaus.com](http://arhaus.com) or speak to any Arhaus Design Consultant for care recommendations.



#### FINISHES:

Driftwood Grey Teak/  
Charcoal Wicker



Driftwood Grey Teak/  
White Wicker



Natural Teak/  
Natural Wicker

### CUSTOM-FIT OUTDOOR FURNITURE COVERS

Protect your furnishings with resilient Sur Last® covers—specifically tailored to fit Arhaus outdoor collections. Speak to a design consultant for details.

# ARHAUS®

your home

# TULUM

OUTDOOR COLLECTION | MADE IN INDONESIA

shown in  
Driftwood Grey/Charcoal



## 87" SOFA

87" w x 30.25" d x 32" h  
Driftwood Grey/Charcoal  
Driftwood Grey/White  
Natural Teak/Natural

70TUL87SF  
70TUL87WHSF  
70TUL87NASF



## 72" SOFA

72" w x 30.25" d x 32" h  
Driftwood Grey/Charcoal  
Driftwood Grey/White  
Natural Teak/Natural

70TULUMSF2  
70TULUMWHSF  
70TULUMNASF



## 52" SOFA

52" w x 30.25" d x 32" h  
Driftwood Grey/Charcoal  
Driftwood Grey/White  
Natural Teak/Natural

70TUL52SF  
70TUL52WHSF  
70TUL52NASF



## LOUNGE CHAIR

30.5" w x 30" d x 32.25" h  
Driftwood Grey/Charcoal  
Driftwood Grey/White  
Natural Teak/Natural

70TULUMLCH2  
70TULUMWHLCH  
70TULUMNALCH



DINING ARMCHAIR

26" w x 26" d x 42.5" h  
Driftwood Grey/Charcoal  
Driftwood Grey/White  
Natural Teak/Natural

70TULUMDA2  
70TULUMWHDA  
70TULUMNADA



DINING SIDE CHAIR

22.25" w x 26.25" d x 38.25" h  
Driftwood Grey/Charcoal  
Driftwood Grey/White  
Natural Teak/Natural

70TULUMDS2  
70TULUMWHDS  
70TULUMNADS



BARSTOOL

18.25" w x 22" d x 44" h  
Driftwood Grey/Charcoal  
Driftwood Grey/White  
Natural Teak/Natural

70TULBAR  
70TULWHBAR  
70TULNABAR



COUNTER STOOL

18.25" w x 22" d x 40" h  
Driftwood Grey/Charcoal  
Driftwood Grey/White  
Natural Teak/Natural

70TULCNT  
70TULWHCNT  
70TUNALCNT



# ARHAUS®

your home

# TULUM

OUTDOOR COLLECTION | MADE IN INDONESIA



## DINING STOOL

24" w x 18" d x 18" h  
Driftwood Grey/Charcoal  
Driftwood Grey/White  
Natural Teak/Natural

70TUL24STL  
70TULWH24STL  
70TULNA24STL



## CHAISE

31.5" w x 79" d x 14" h  
Driftwood Grey/Charcoal  
Driftwood Grey/White  
Natural Teak/Natural

70TULUMCHS2  
70TULUMWHCHS  
70TULUMNACHS



## STORAGE COFFEE TABLE

36" diameter x 16" h  
Driftwood Grey/Charcoal  
Driftwood Grey/White  
Natural Teak/Natural

70TULUSTCF2  
70TULUWHSTCF  
70TULUNASTCF

shown in  
Driftwood Grey/White



## DINING BENCH

82" w x 18" d x 18" h  
Driftwood Grey/Charcoal  
Driftwood Grey/White  
Natural Teak/Natural

70TUL82BNCH2  
70TULW82BNCH  
70TULN82BNCH



72" w x 18" d x 18" h  
Driftwood Grey/Charcoal  
Driftwood Grey/White  
Natural Teak/Natural

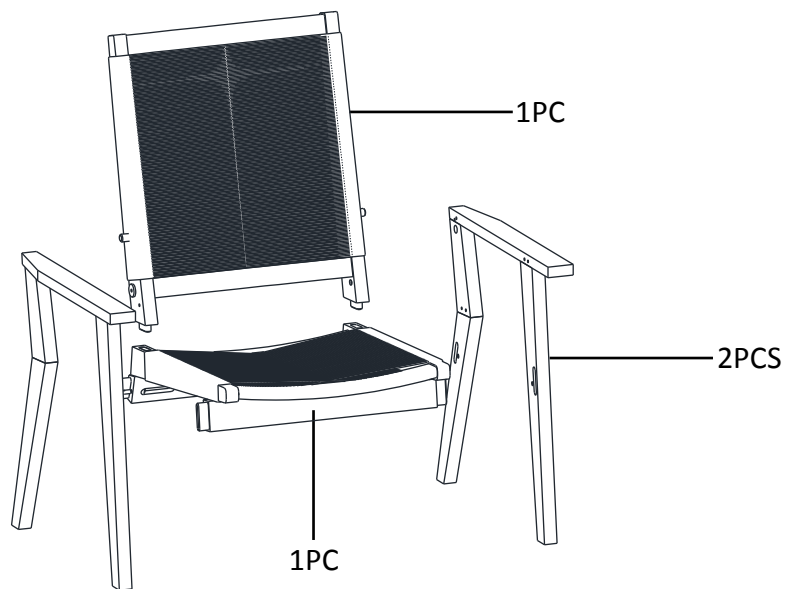
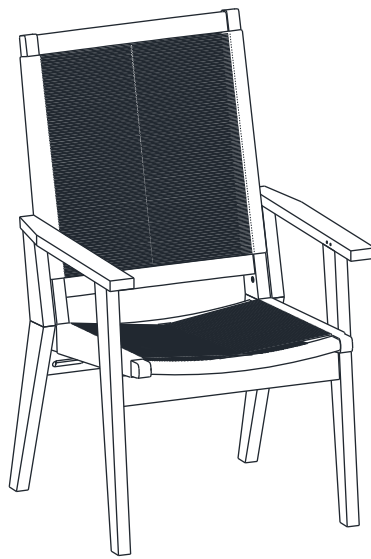
70TUL72BNCH2  
70TULW72BNCH  
70TULN72BNCH

# ARHAUS®

your home

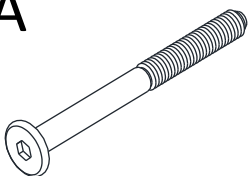
## ASSEMBLY INSTRUCTION

### 70TULUMCH – TULUM DINING ARMCHAIR



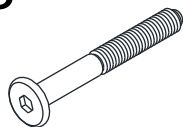
1 OF 3

**A**



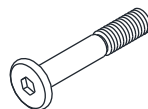
M6 x 70 mm = 2 Pcs

**B**



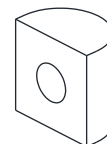
M6 x 45 mm = 2 Pcs

**C**



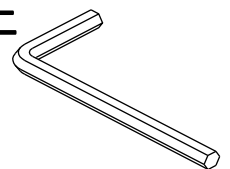
M6 x 40 mm = 4 Pcs

**D**



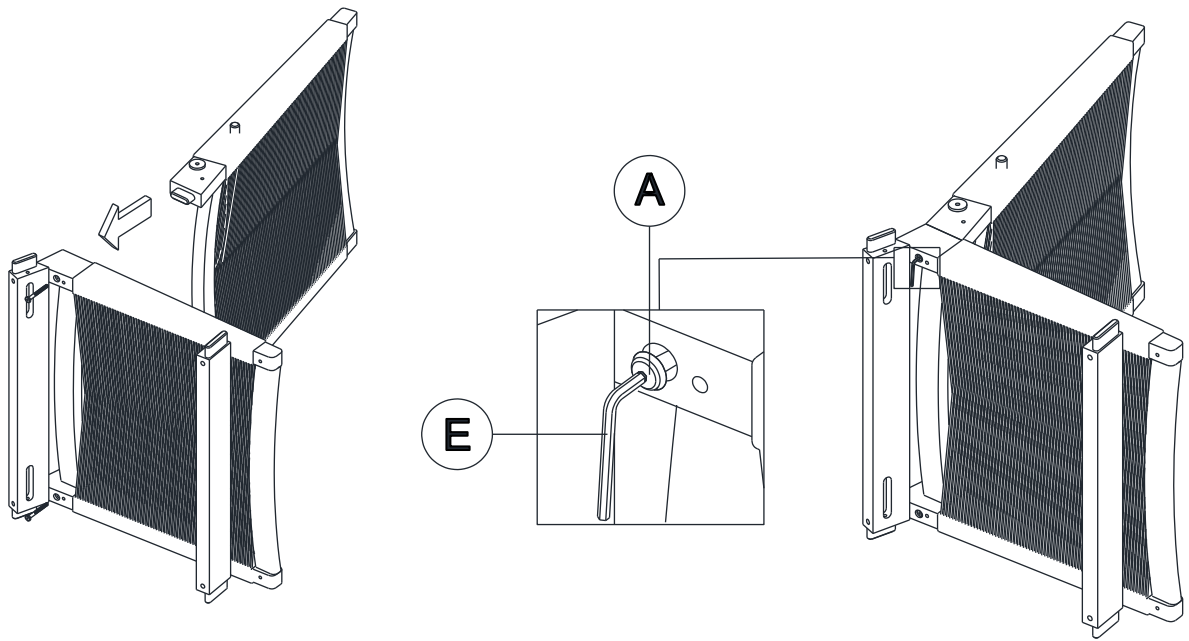
Halfmoon Washer = 4 Pcs

**E**

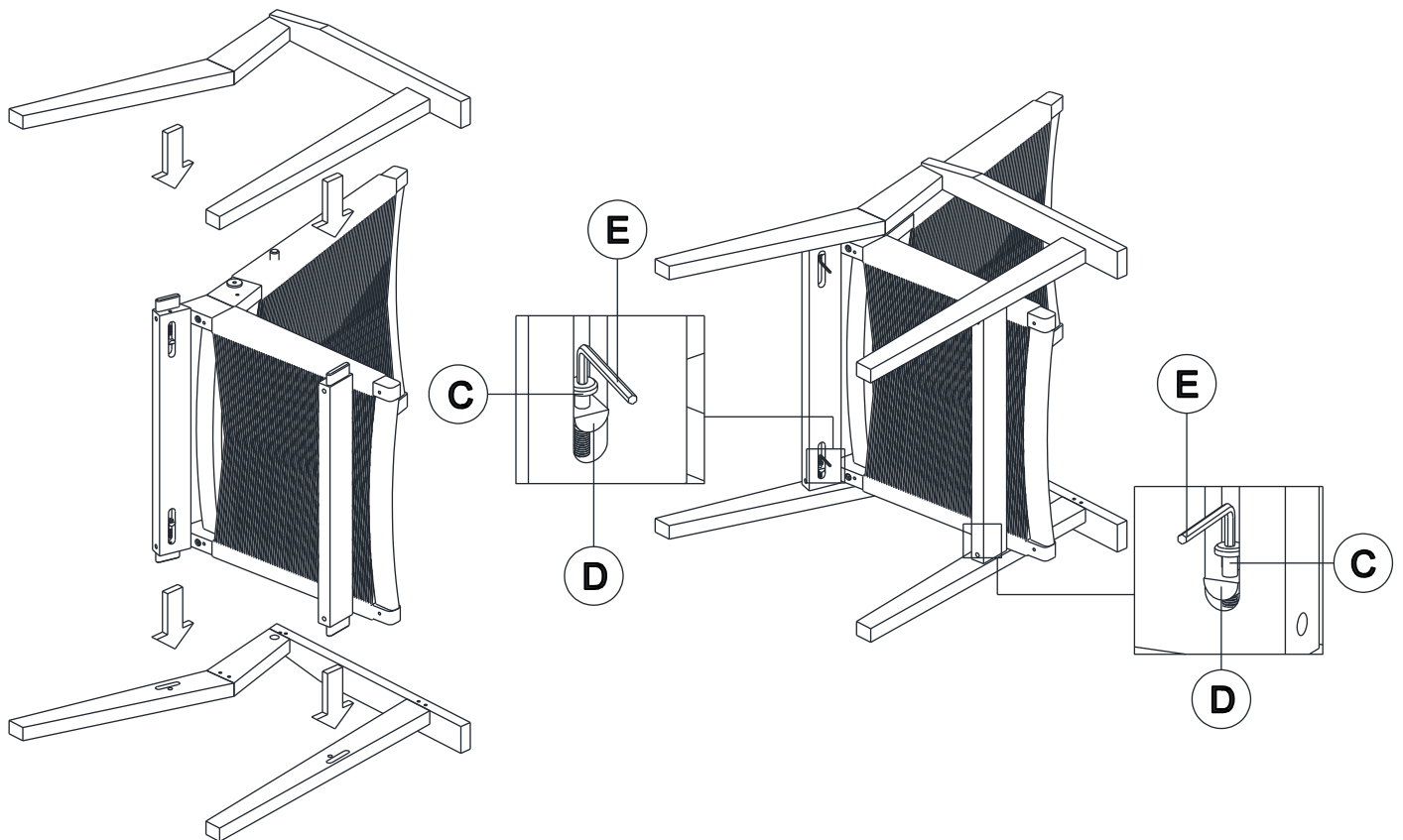


Allen Key = 1 Pc

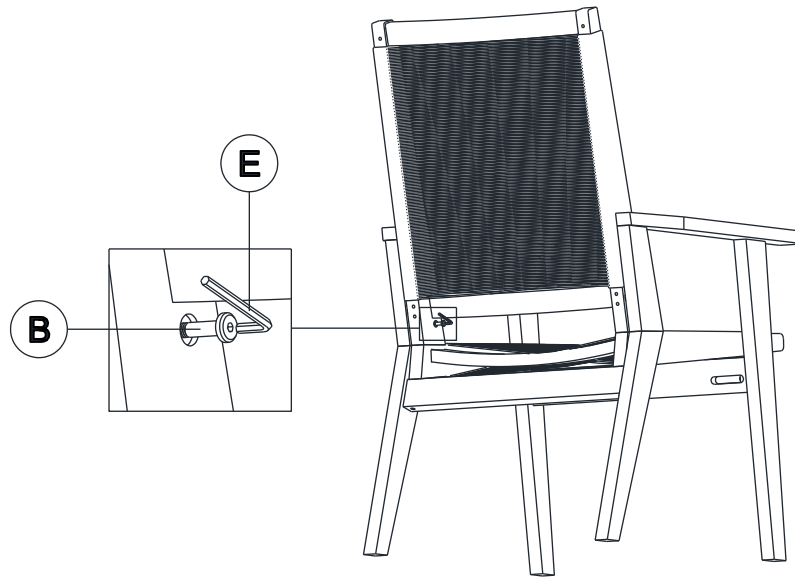
# Step 1



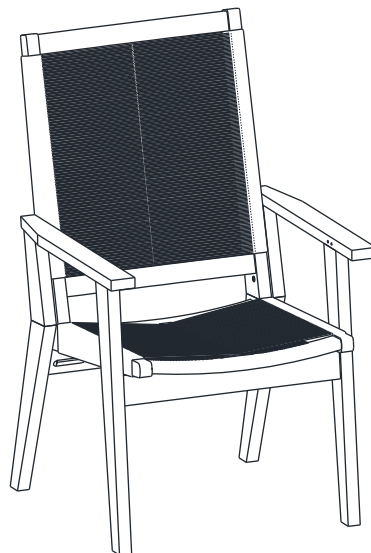
# Step 2



## Step 3



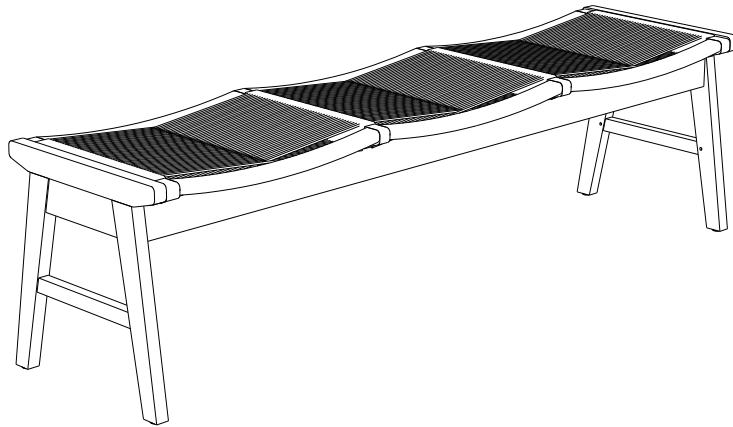
## Step 4 (FINISH ASSEMBLY)



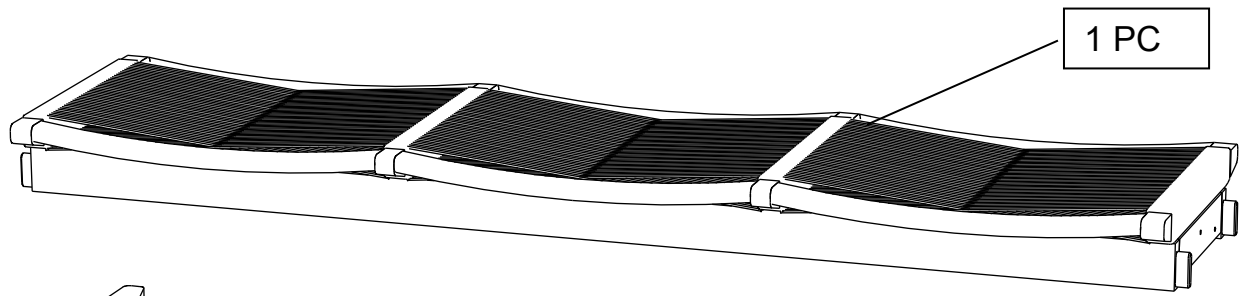
# ARHAUS<sup>®</sup>

your home

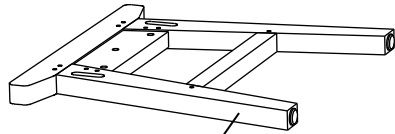
## **ASSEMBLY INSTRUCTION** **70TUL72BNCH – TULUM DINING BENCH 72”**



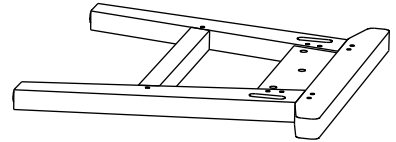




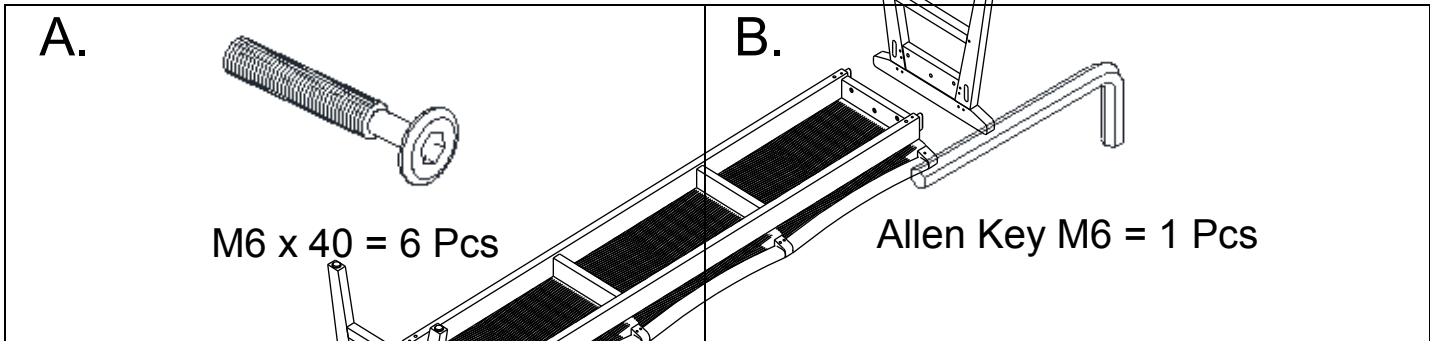
1 PC



2 PC



1 of 2



A.

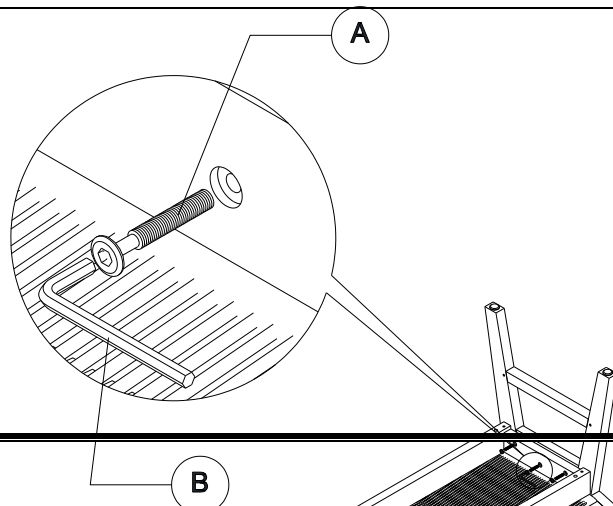
M6 x 40 = 6 Pcs

B.

Allen Key M6 = 1 Pcs

Step 1

Step 2

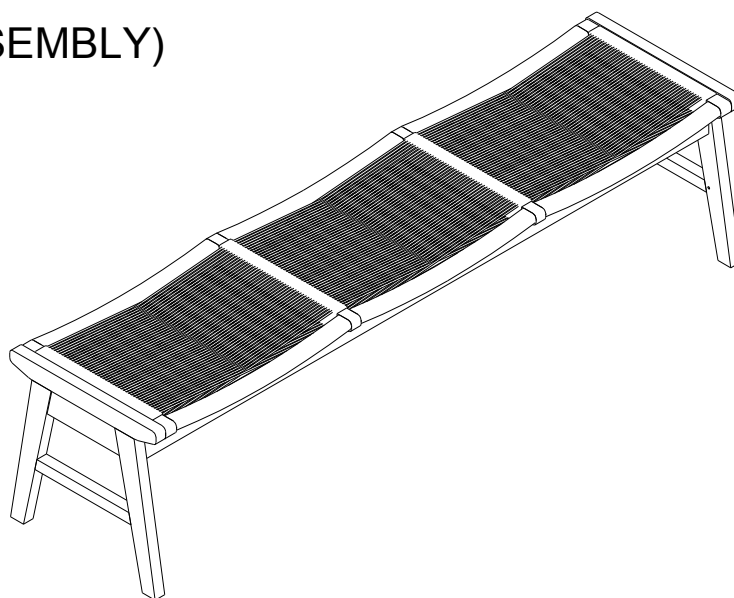


A

B

---

Step 3 (FINISH ASSEMBLY)

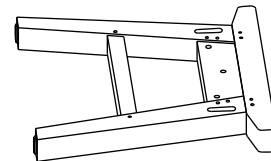
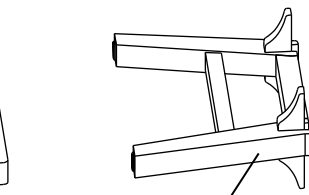
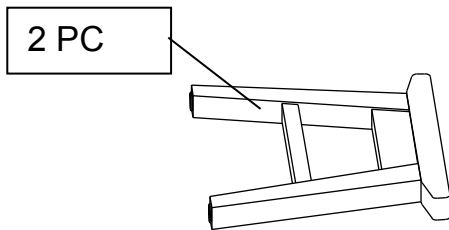
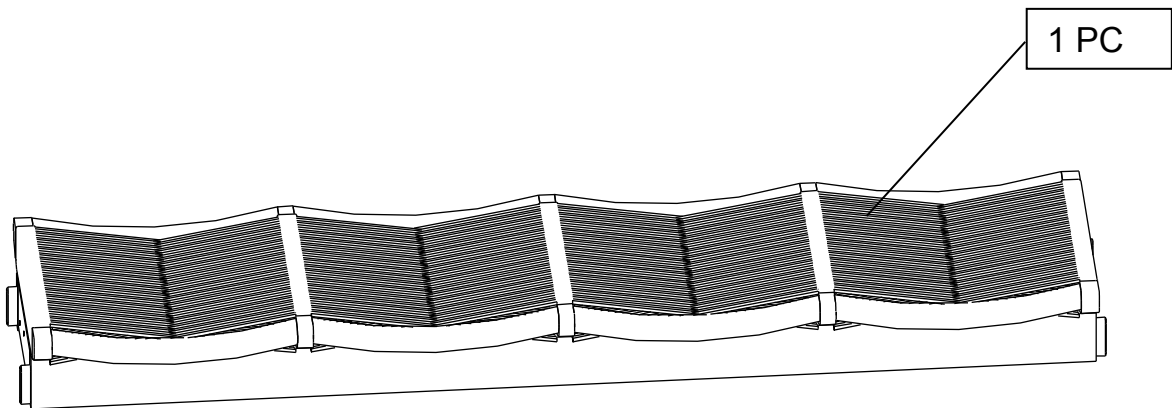
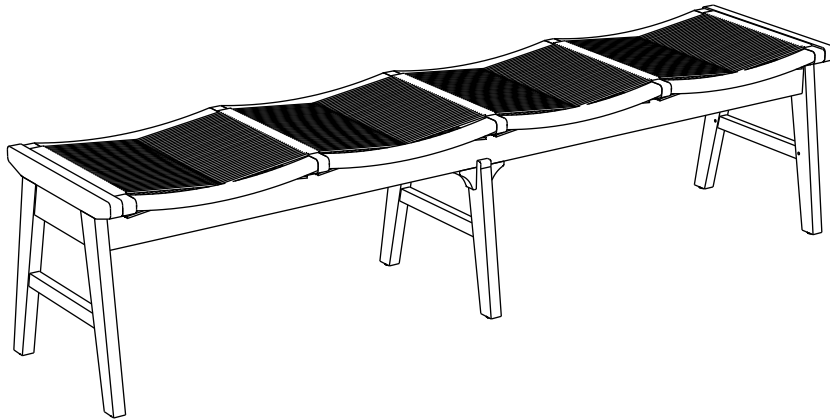


2 of 2

# ARHAUS<sup>®</sup>

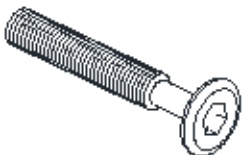
your home

## ASSEMBLY INSTRUCTION 70TUL82BNCH – TULUM DINING BENCH 82"



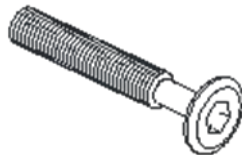
1 of 2

**A.**



M6 x 40 = 6 Pcs

**B.**



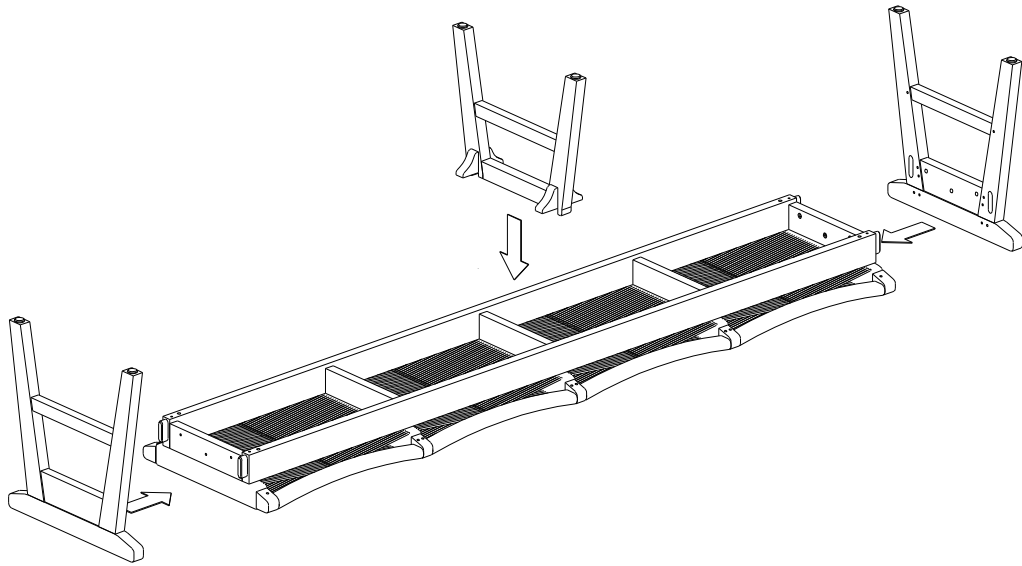
M6 x 30 = 4 Pcs

**C.**

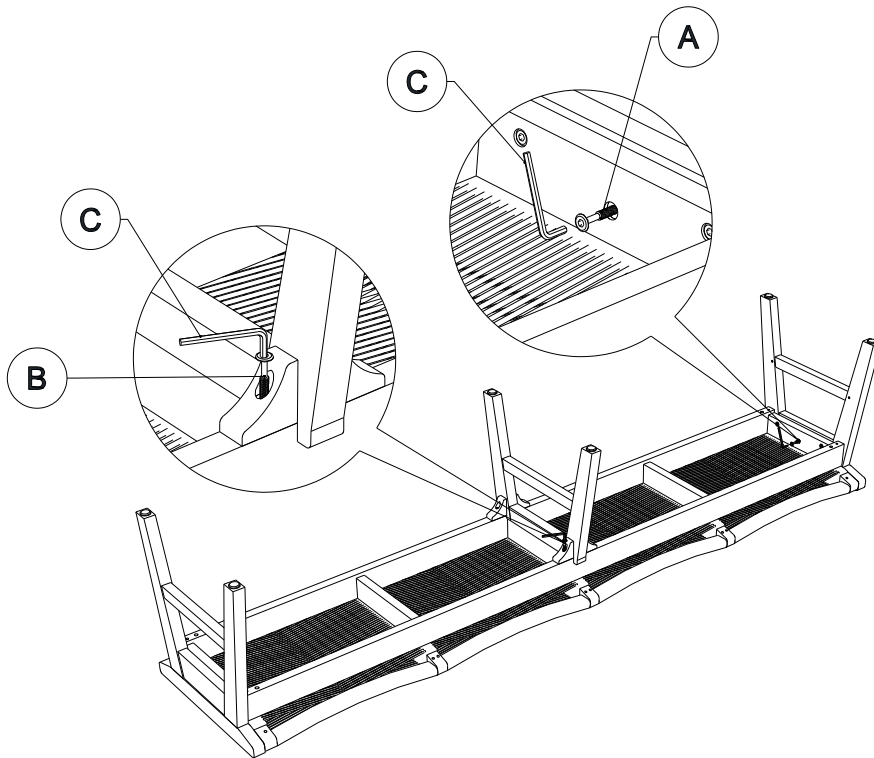


M6 x 40 = 6 Pcs

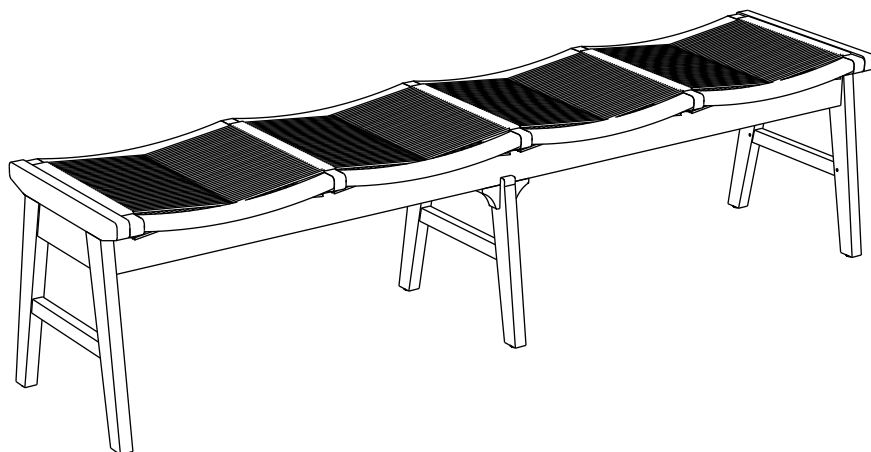
### Step 1



### Step 2



### Step 3 (FINISH ASSEMBLY)

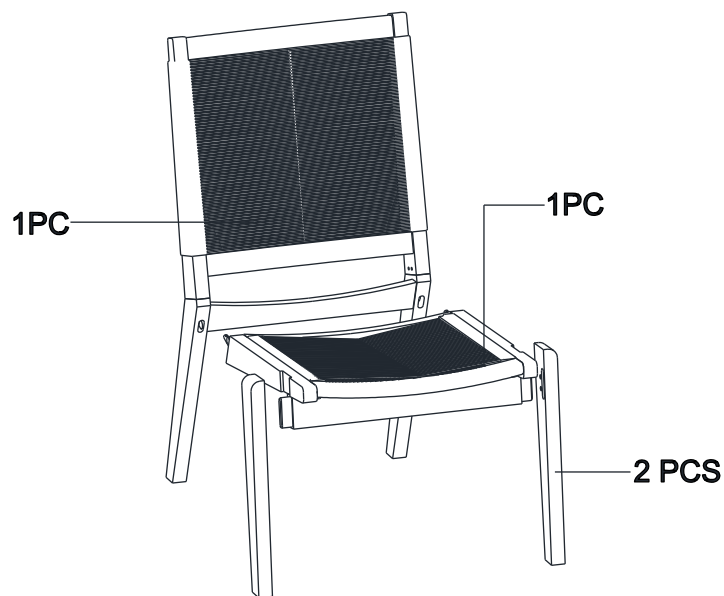
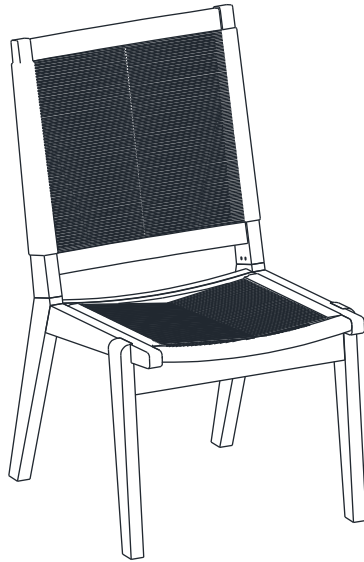


# ARHAUS®

your home

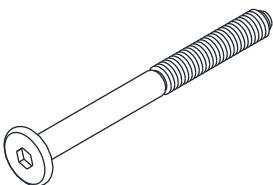
## ASSEMBLY INSTRUCTION

### 70TULUMDS – TULUM DINING CHAIR



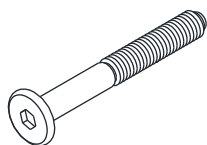
1 OF 2

**A**



M6 x 60 mm = 2 Pcs

**B**



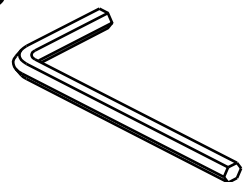
M6 x 40 mm = 7 Pcs

**C**



6 Pcs

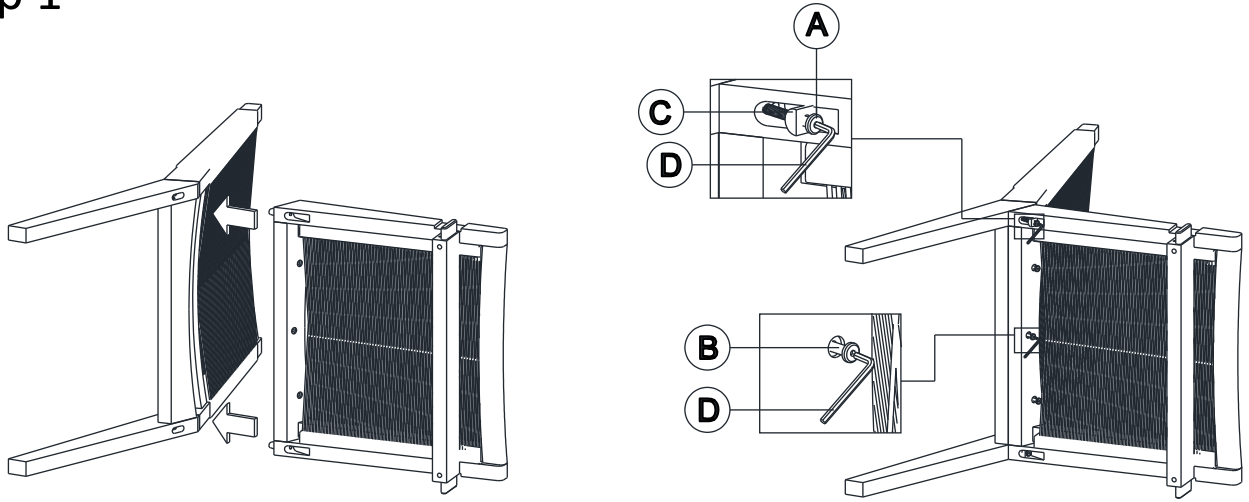
**D**



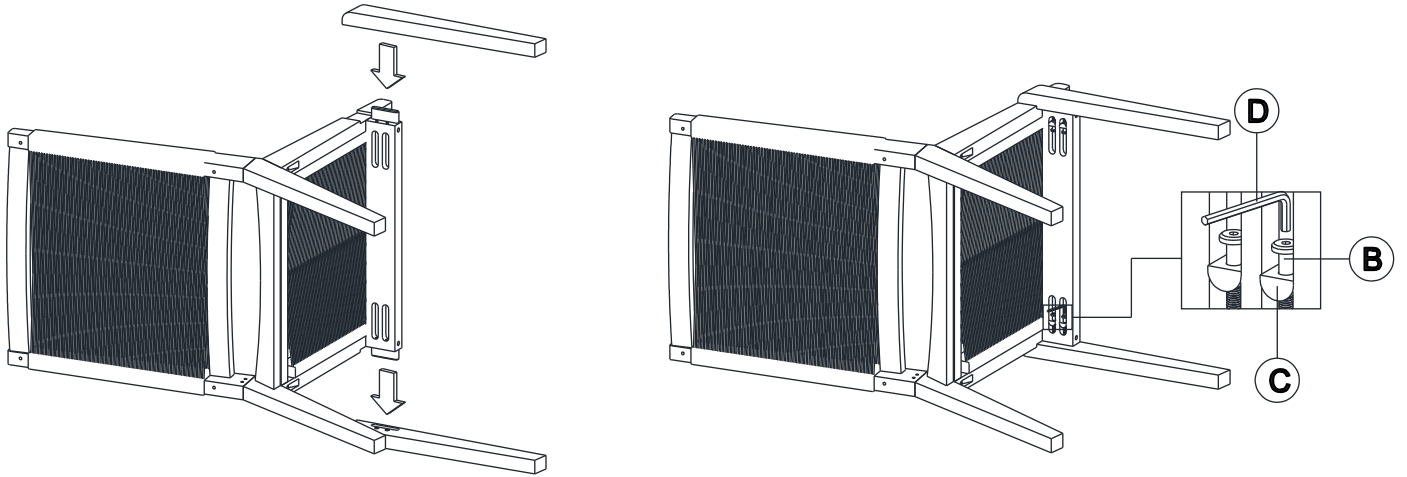
1 Pc



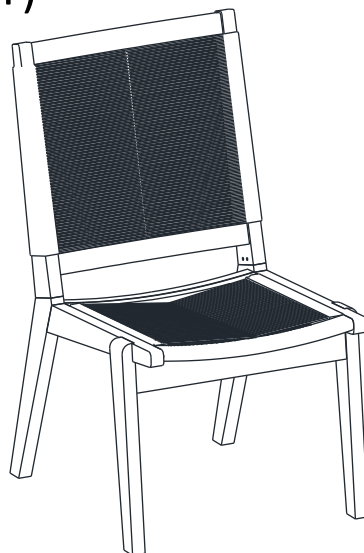
## Step 1



## Step 2



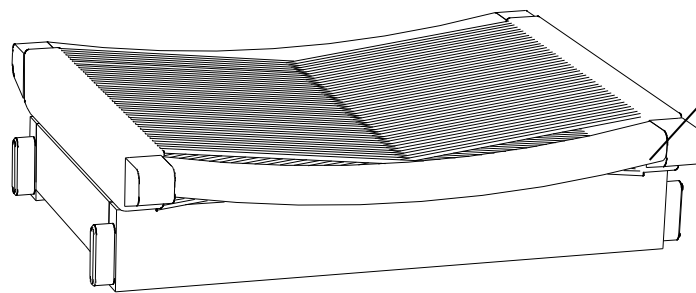
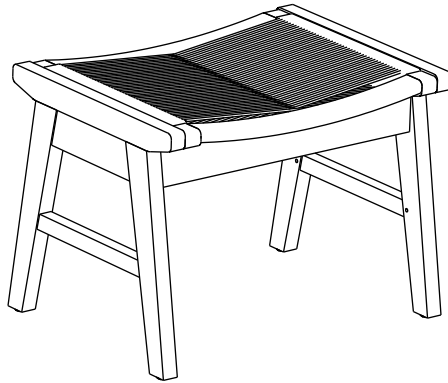
## Step 3 (FINISH ASSEMBLY)



# ARHAUS<sup>®</sup>

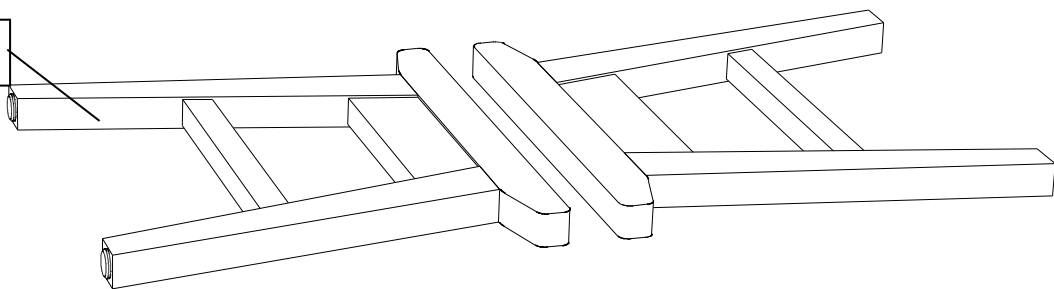
your home

## ASSEMBLY INSTRUCTION 70TUL24STL – TULUM DINING STOOL



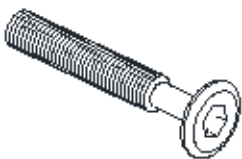
1 PC

2 PC



1 of 2

**A.**



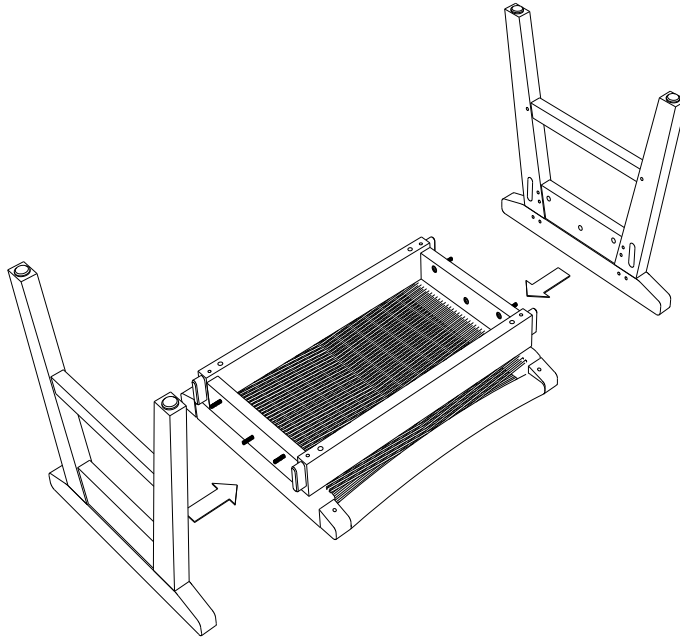
M6 x 40 = 6 Pcs

**B.**

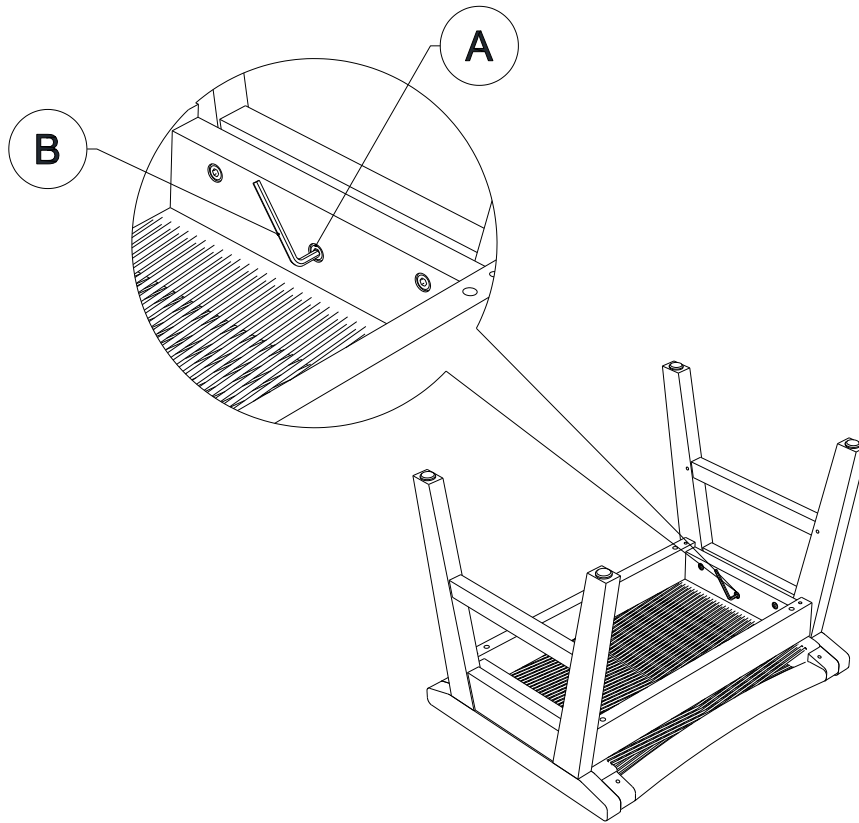


Allen Key M6 = 1 Pcs

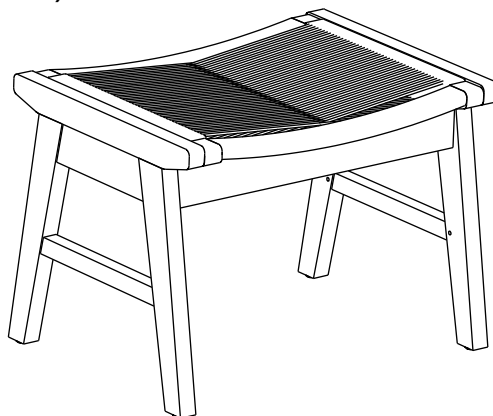
### Step 1



### Step 2



### Step 3 (FINISH ASSEMBLY)

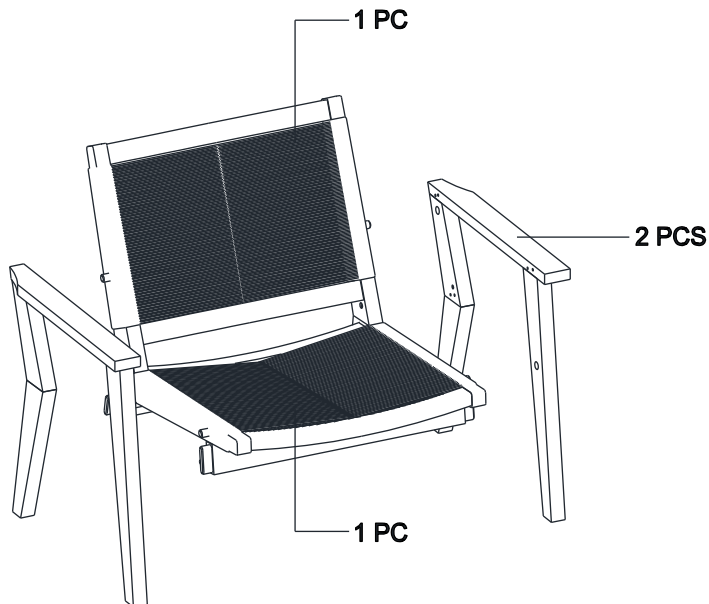
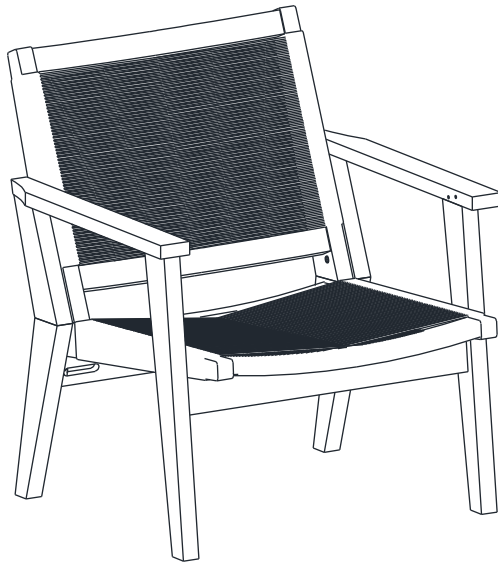


# ARHAUS®

your home

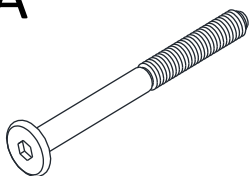
## ASSEMBLY INSTRUCTION

### 70TULUMCH – TULUM LOUNGE CHAIR



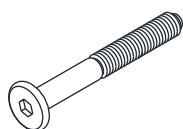
1 OF 3

**A**



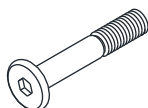
M6 x 80 mm = 2 Pcs

**B**



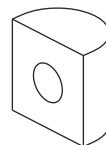
M6 x 45 mm = 2 Pcs

**C**



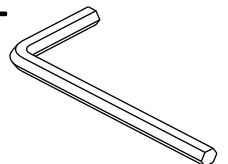
M6 x 40 mm = 4 Pcs

**D**



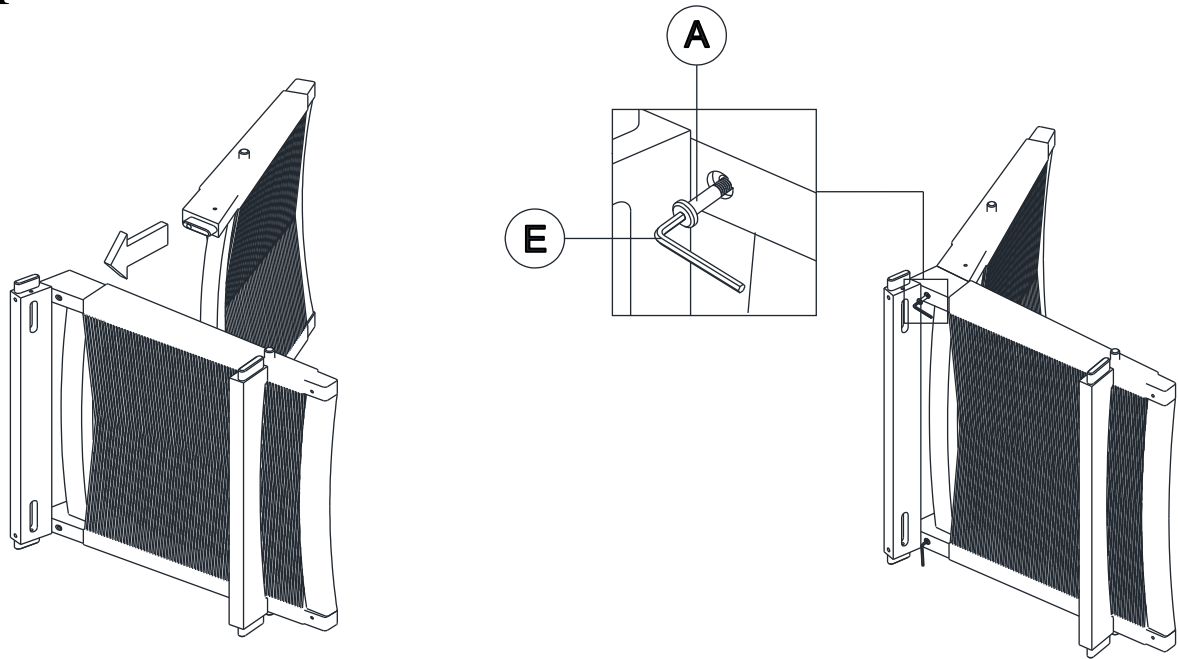
Halfmoon Washer = 2 Pcs

**E**

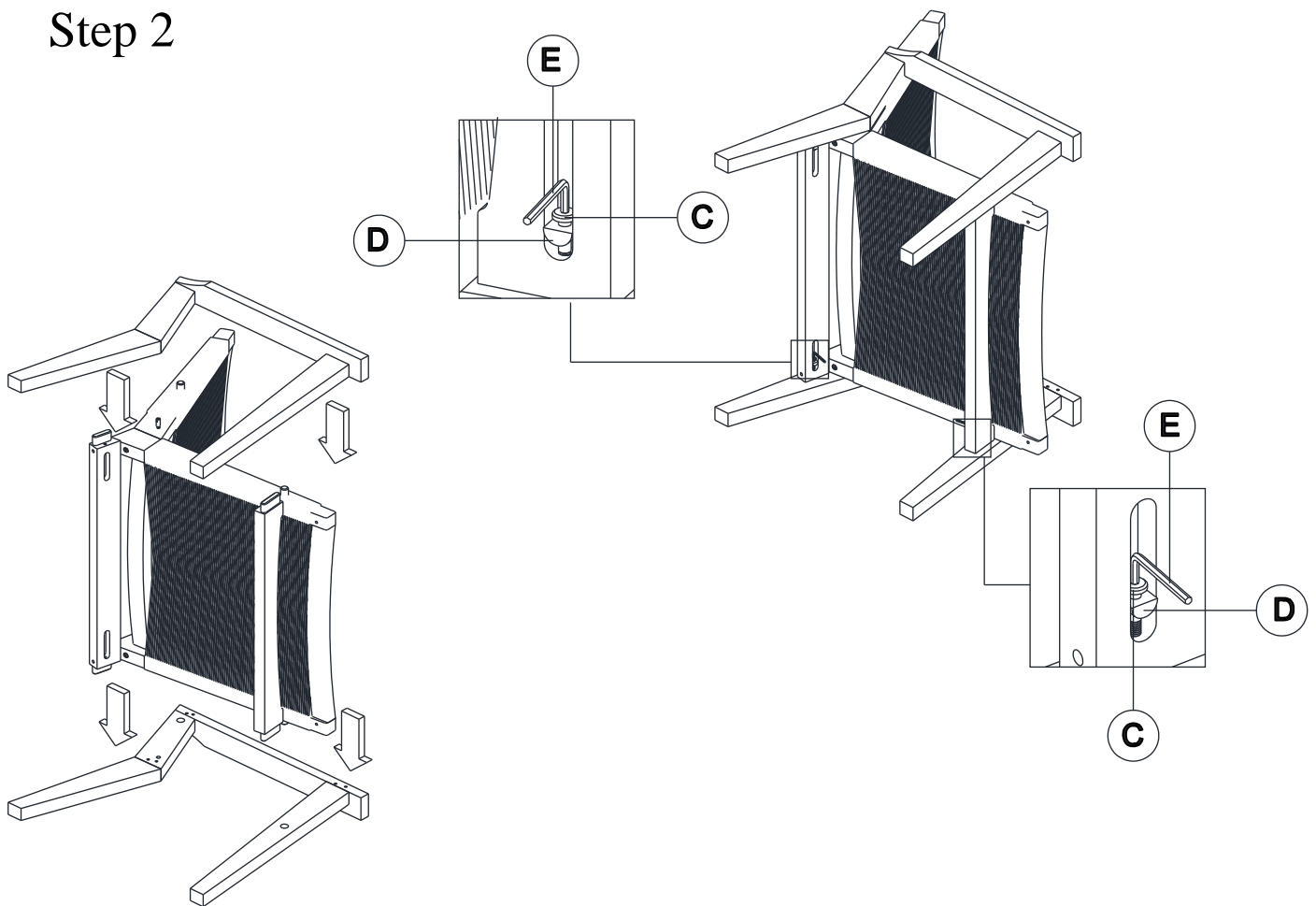


Allen Key = 1 Pc

# Step 1

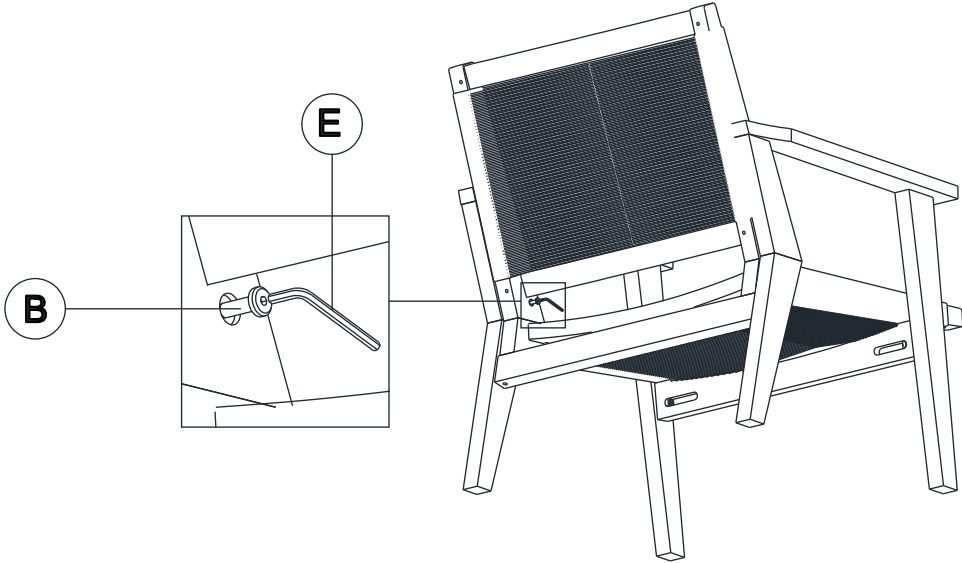


# Step 2

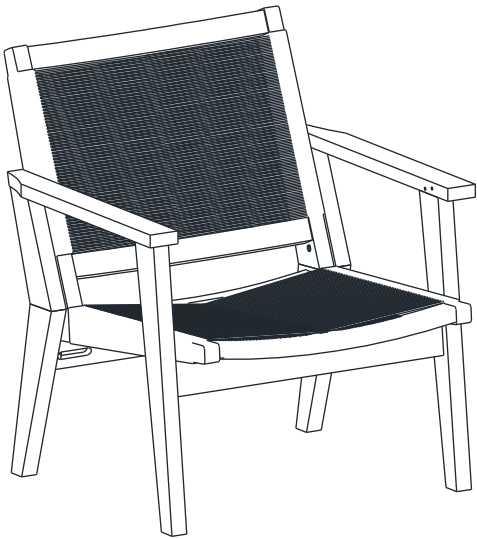




# Step 3



# Step 4 (FINISH ASSEMBLY)

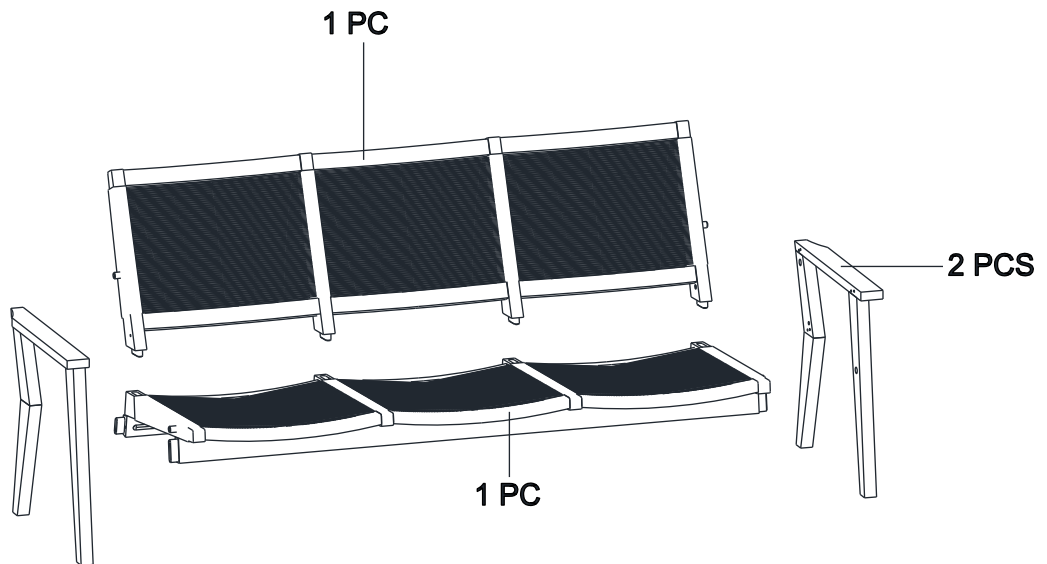
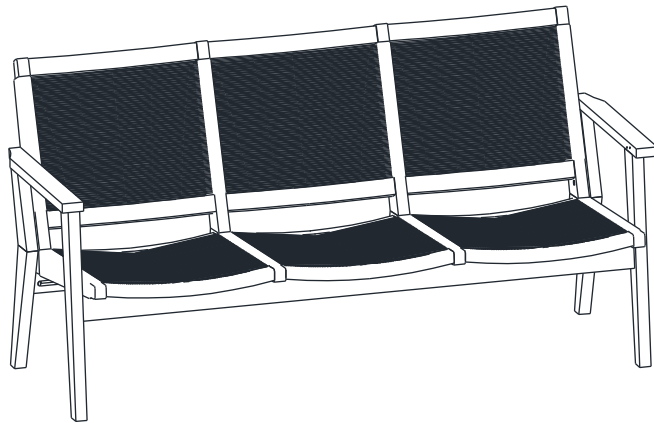


# ARHAUS®

your home

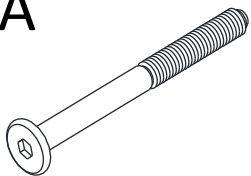
## ASSEMBLY INSTRUCTION

### 70TULUMSF – TULUM SOFA



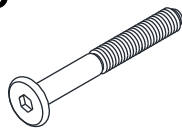
1 OF 3

**A**



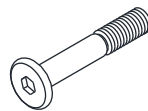
M6 x 80 mm = 4 Pcs

**B**



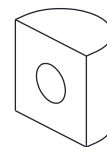
M6 x 45 mm = 2 Pcs

**C**



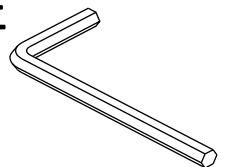
M6 x 40 mm = 4 Pcs

**D**



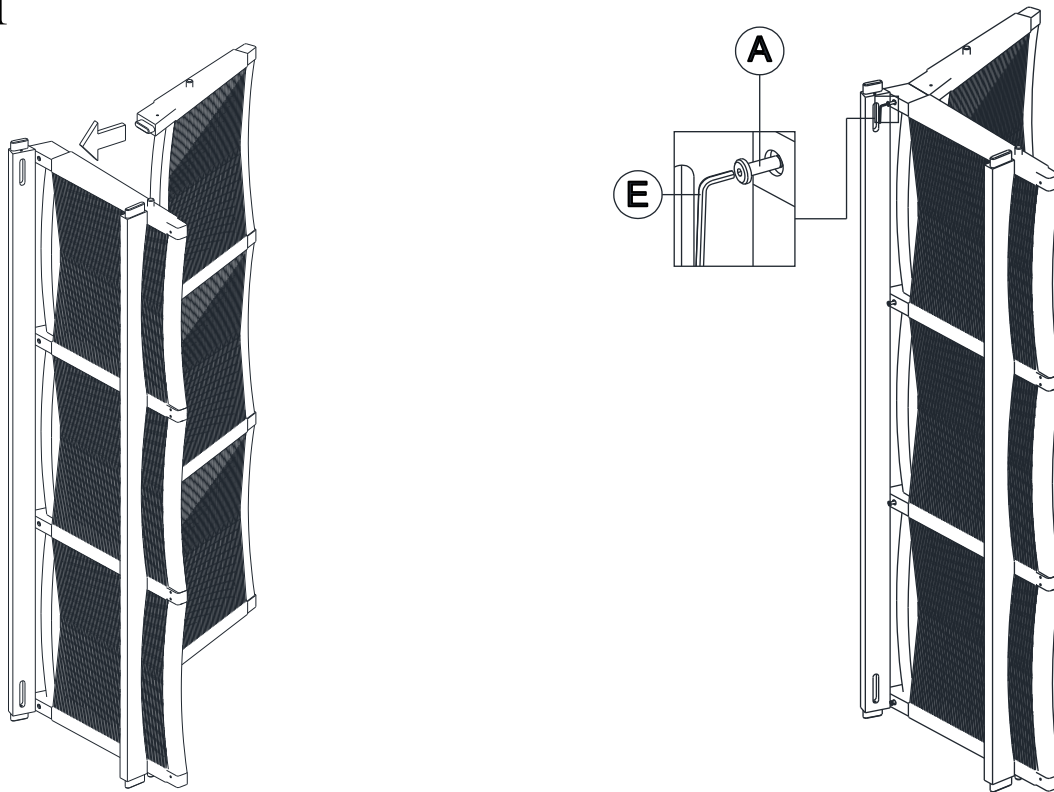
Halfmoon Washer = 4 Pcs

**E**

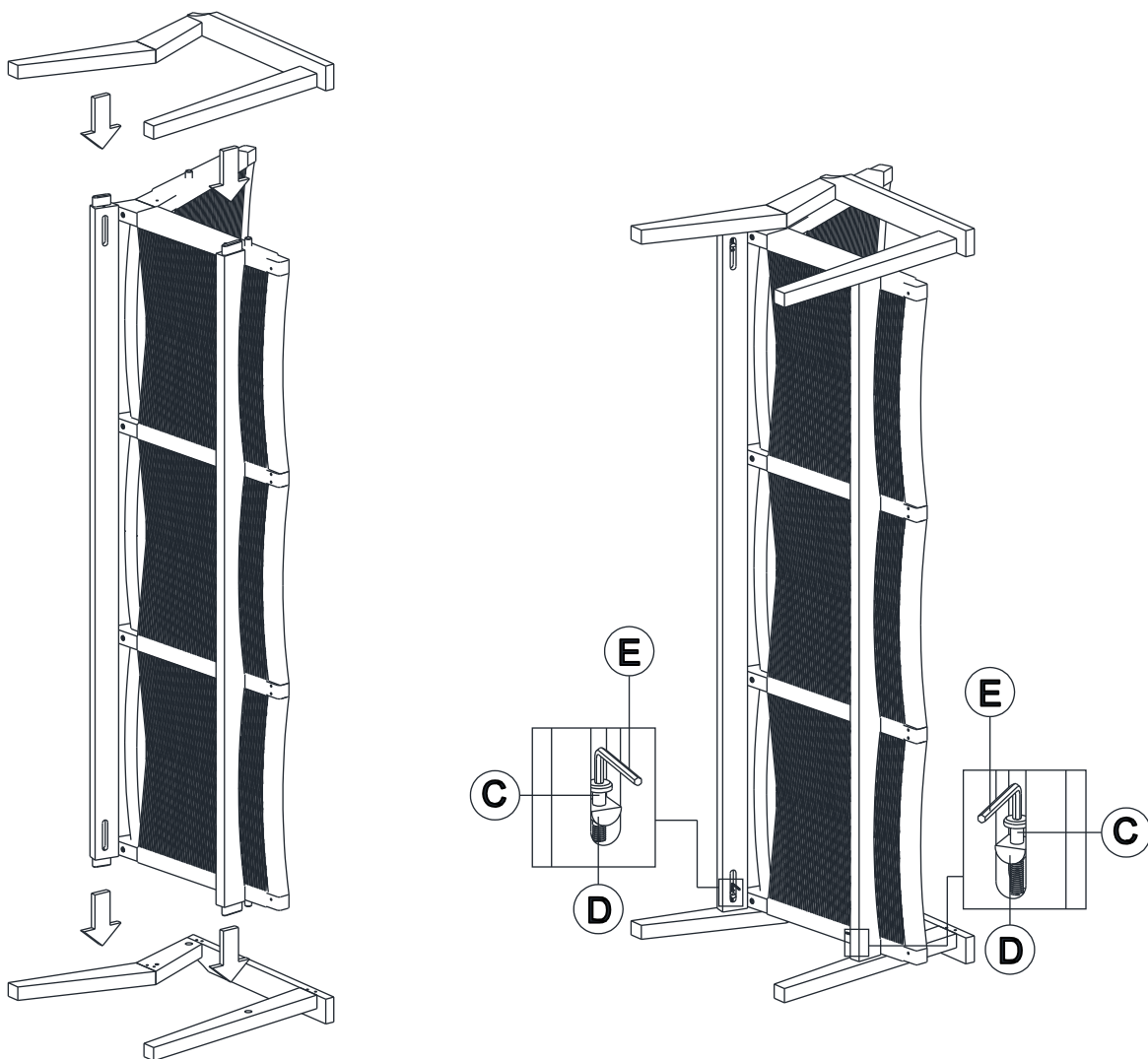


Allen Key = 1 Pc

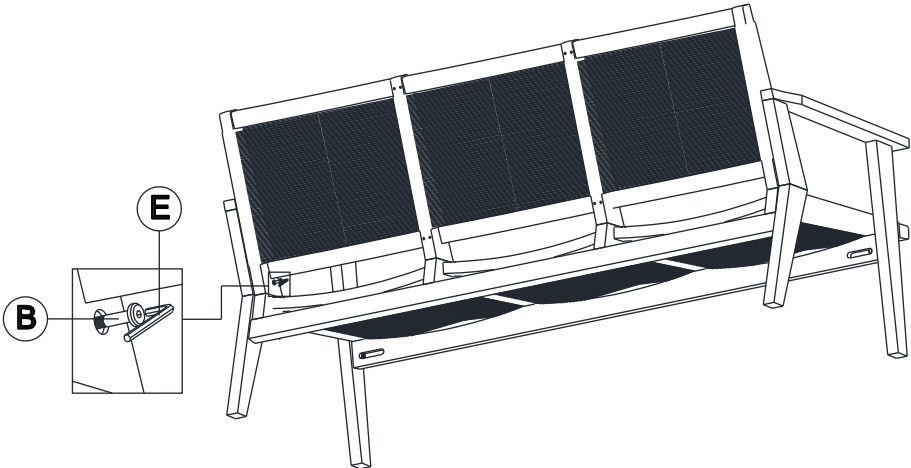
# Step 1



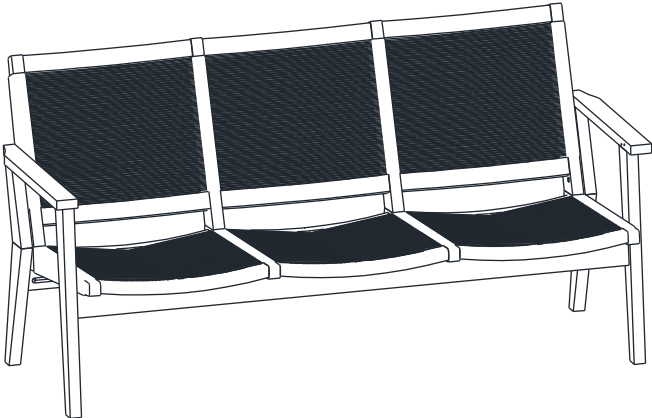
# Step 2



# Step 3



# Step 4 (FINISH ASSEMBLY)



# OUTDOOR PARTS SKUS

CATEGORY	SKU	DESCRIPTION	STATUS	COLLECTION	ROUTE
OUTDOOR	91TULUMDSHDW	TULUM 23" DS CH ASSEM HDW - 1 1 SET / ALL FINISHES	A	PT-TULUM	PART
OUTDOOR	91TULUMDAHDW	TULUM 26" DA CH ASSEM HDW - 1 1 SET / ALL FINISHES	A	PT-TULUM	PART
OUTDOOR	91TULUMCHHDW	TULUM 31" L CH ASSEM HDW - 1 1 SET / ALL FINISHES	A	PT-TULUM	PART
OUTDOOR	91TUL52SFHDW	TULUM 52" SOFA ASSEMHDW - 1 1 SET/ALL FINISHES	A	PT-TULUM	PART
OUTDOOR	91TLM72BNHDW	TULUM 72" DIN BN ASSEM HDW - 1 1 SET / ALL FINISHES	A	PT-TULUM	PART
OUTDOOR	91TULUMSFHDW	TULUM 73" SOFA ASSEM HDW - 1 1 SET / ALL FINISHES	A	PT-TULUM	PART
OUTDOOR	91TLM82BNHDW	TULUM 82" DIN BN ASSEM HDW - 1 1 SET / ALL FINISHES	A	PT-TULUM	PART
OUTDOOR	91TUL87SFHDW	TULUM 87" SOFA ASSEMHDW - 1 1 SET/ALL FINISHES	A	PT-TULUM	PART
OUTDOOR	91TULBARHDW	TULUM BARSTOOL ASSEMHDW - 1 1 SET/ALL FINISHES	A	PT-TULUM	PART
OUTDOOR	91TULUMCSHDW	TULUM CHAISE ASSEM HDW - 1 1 SET / ALL FINISHES	A	PT-TULUM	PART
OUTDOOR	91TULCTHDW	TULUM CNTSTOOL ASSEMHDW - 1 1 SET/ALL FINISHES	A	PT-TULUM	PART
OUTDOOR	91TULUMGD	TULUM SF/BS/CS/STL GLIDE - 4 SET OF 4/25MM RD ALL SZ/FINISH	A	PT-TULUM	PART
OUTDOOR	91TLMSTLHDW	TULUM STOOL ASSEM HDW - 1 1 SET / ALL FINISHES	A	PT-TULUM	PART
OUTDOOR	91TULUMCFTP	TULUM STORAGE COF TBL TOP - 1 ALL FINISHES	A	PT-TULUM	PART





COFFEE TABLE

41" diameter x 15.75" h  
70TWIGRDCOF2



END TABLE

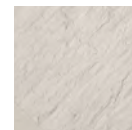
24" diameter x 23" h  
70TWIGRDEND2

Bring natural elements into your outdoor gathering space. Our whimsical Twig Collection is artfully designed to mimic the shapes and details found in tree branches. Rustproof frames crafted from cast aluminum feature hand-applied finishes with subtle high and low tones, creating an antiqued effect. Lightweight tabletops are sustainably formed from modified clay and sand, which is incredibly durable, easy to clean, and recyclable.

PRODUCT DETAILS

- + Twig's durable, sustainably made tabletops, formed from modified clay and sand, are lightweight, very easy to care for, and recyclable.
- + Craftsman-built frames made from all-weather cast aluminum feature precision welds and reinforced stress points.
- + Aluminum frames feature a hand-applied, powder-coated finish, which creates a protective, water- and rustproof barrier that's ten times more durable than paint.
- + Keep your furniture looking its best. Visit [arhaus.com](https://arhaus.com) or speak to any Arhaus Design Consultant for care recommendations.

FINISH:



Clay

CUSTOM-FIT OUTDOOR  
FURNITURE COVERS

Protect your furnishings with resilient Sur Last® covers—specifically tailored to fit Arhaus outdoor collections. Speak to a design consultant for details.

NEED HELP?

Visit a store, call **866.427.4287**, or **live chat** with our Design Team to learn more.

# ARHAUS®

your home

## CANTILEVER & MARKET UMBRELLAS

OUTDOOR COLLECTION | UMBRELLA FRAMES AND BASES MADE IN CHINA;  
UMBRELLAS MADE IN CHINA OF AMERICAN-MADE FABRICS;  
SPECIAL-ORDER CANOPIES MADE IN MEXICO OF AMERICAN-MADE FABRICS



### FIND THE IDEAL SHADE FOR YOUR OUTDOOR OASIS

Optimal outdoor coverage begins with our expansive Outdoor Umbrella Collection, including the classic styling of our Cantilever and Market Umbrellas. Chic and sturdy umbrella designs are crafted in rustproof aluminum and durable all-weather canopies are made from easy-to-clean Outdoor Performance Fabrics. Complement your poolside or patio by choosing from a variety of umbrella shapes, sizes, finishes, and canopy colors, including a range of special-order fabric options available on some styles.



#### CUSTOM-FIT OUTDOOR FURNITURE COVERS

Protect your furnishings with resilient Sur Last® covers — specifically tailored to fit Arhaus outdoor collections. Speak to a design consultant for details.

CANTILEVER &  
MARKET UMBRELLAS

OUTDOOR COLLECTION | UMBRELLA FRAMES AND BASES MADE IN CHINA;  
UMBRELLAS MADE IN CHINA OF AMERICAN-MADE FABRICS;  
SPECIAL-ORDER CANOPIES MADE IN MEXICO OF AMERICAN-MADE FABRICS



## CANTILEVER UMBRELLA COLLECTION

Our chic and sturdy Cantilever Umbrellas are easy to use, providing optimal outdoor coverage to complement any space. Features include durable all-weather canopies made from easy-to-clean Sunbrella® or Outdura® Outdoor Performance Fabrics, a rustproof aluminum base, and full 360-degree rotation.

## PRODUCT DETAILS

- + Premium-grade cantilever operation features an easy-to-use crank lift and foot pedal for easy rotation. Rotates 360 degrees; tilts left or right at 18, 36, and 54 degrees.
- + Umbrella bases must be filled with sand (not included) and can hold 400 lbs. of sand. We recommend filling umbrella bases with this amount to safely hold the umbrella in place. Do not fill bases with water.
- + Canopy weighs 95 lbs.
- + Umbrella Canopies are made with weather-resistant fabrics from our collection of Sunbrella® or Outdura® Outdoor Performance Fabrics.
- + Sunbrella® Outdoor Performance Fabrics are woven from 100% solution-dyed materials that are easy to care for, stain-resistant, fade-resistant, colorfast, and provide up to 98% UV protection.
- + Outdura® Outdoor Performance Fabrics are weatherproof, mold- and mildew-resistant, and resistant to stains and fading.
- + Umbrella frames and bases made from all-weather, rustproof aluminum are lightweight yet sturdy.
- + Each Cantilever Umbrella includes canopy and frame. Bases sold separately.

STOCKED CANTILEVER  
UMBRELLAS:

Outdura®  
Champagne/  
Bronze

Sunbrella®  
Canvas Natural/  
Black

STOCKED AND SPECIAL ORDER  
BASE FINISHES:

Black

Bronze

# ARHAUS®

your home

## CANTILEVER & MARKET UMBRELLAS

OUTDOOR COLLECTION | UMBRELLA FRAMES AND BASES MADE IN CHINA;  
UMBRELLAS MADE IN CHINA OF AMERICAN-MADE FABRICS;  
SPECIAL-ORDER CANOPIES MADE IN MEXICO OF AMERICAN-MADE FABRICS



### RECTANGULAR CANTILEVER UMBRELLA\*

10' w x 13' d x 10'-10'4" h (covers 130 square feet)

Outdura® Champagne / Bronze

70UMBCHCTP

Sunbrella® Canvas Natural / Black

70UMBCNCTP



### UMBRELLA BASE

*\*Bases are sold separately and available in two finishes.*

34" w x 34" d x 7.5" h

Bronze

70UMCBSBNZ

Black

70UMCBSBLK

# CANTILEVER & MARKET UMBRELLAS

OUTDOOR COLLECTION | UMBRELLA FRAMES AND BASES MADE IN CHINA;  
 UMBRELLAS MADE IN CHINA OF AMERICAN-MADE FABRICS;  
 SPECIAL-ORDER CANOPIES MADE IN MEXICO OF AMERICAN-MADE FABRICS



## MARKET UMBRELLA COLLECTION

Our classic Market Umbrellas can be customized in two shapes, two frame finishes, three canopy styles, and more than 20 Sunbrella® fabrics. Finding the ideal shade for your outdoor space has never been so easy—or so beautiful. To learn more about available special order options, visit a store or call 866.427.4287.

### CANOPIE SIZES:



8' x 11' Rectangle



9' Octagon

### PRODUCT DETAILS

- + Market Umbrellas feature easy-to-operate crank lifts to open and tilt canopies, and sturdy all-weather aluminum frames.
- + Sunbrella® Outdoor Performance Fabrics are woven from 100% solution-dyed materials that are easy to care for, stain-resistant, fade-resistant, colorfast, and provide up to 98% UV protection.
- + Outdura® Outdoor Performance Fabrics are weatherproof, mold- and mildew-resistant, and resistant to stains and fading.
- + Umbrella frames and bases made from all-weather, rustproof aluminum are lightweight yet sturdy.
- + 19.5" diameter x 3.5" h 150 lb. bases are made from cast aluminum.
- + 1.5" diameter pole.
- + Each Market Umbrella includes canopy and frame. Bases sold separately.
- + Umbrella bases must be filled with sand (not included) and can hold 400 lbs. of sand. We recommend filling umbrella bases with this amount to safely hold the umbrella in place. Do not fill bases with water.

### STOCKED MARKET UMBRELLAS:



Outdura®  
Champagne/  
Bronze



Sunbrella®  
Canvas Coal/  
Black



Sunbrella®  
Canvas Natural/  
Black

### STOCKED AND SPECIAL ORDER BASE FINISHES:



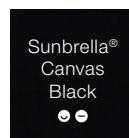
Black



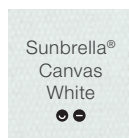
Bronze

### AVAILABLE BY SPECIAL ORDER:

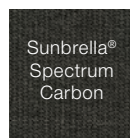
Custom order fabric options available on solid Rectangle and Octagon Umbrellas. Select fabrics available on Scallop and Border Umbrellas. Bases and frames for special-order canopies are sold separately and available in Black and Bronze finishes.



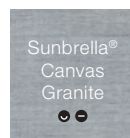
Sunbrella®  
Canvas  
Black



Sunbrella®  
Canvas  
White



Sunbrella®  
Spectrum  
Carbon



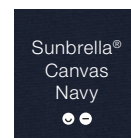
Sunbrella®  
Canvas  
Granite



Sunbrella®  
Spectrum  
Dove



Sunbrella®  
Spectrum  
Indigo



Sunbrella®  
Canvas  
Navy



# CANTILEVER & MARKET UMBRELLAS

OUTDOOR COLLECTION | UMBRELLA FRAMES AND BASES MADE IN CHINA;  
 UMBRELLAS MADE IN CHINA OF AMERICAN-MADE FABRICS;  
 SPECIAL-ORDER CANOPIES MADE IN MEXICO OF AMERICAN-MADE FABRICS



## 9' OCTAGONAL UMBRELLA\*

9' diameter x 10' h (covers 57 square feet)

Canvas Natural / Black	7090CNPYCN
Champagne / Bronze	7090CNPYCH
Canvas Coal / Black	7090CNPYCC

\*Bases sold separately.

## 8' X 11' RECTANGULAR UMBRELLA\*

8' w x 11' d x 10'4.25" h (covers 88 square feet)

Champagne / Bronze	70811CNPYCH
Canvas Coal / Black	70811CNPYCC
Canvas Natural / Black	70811CNPYCN

\*Bases sold separately.

## 9' OCTAGONAL UMBRELLA

AVAILABLE BY SPECIAL ORDER ONLY\*

Canvas Black / Black	719USKCABLKT
Canvas Black / Bronze	719USZCABLKT
Canvas Granite / Black	719USKCAGRKT
Canvas Granite / Bronze	719USZCAGRKT
Canvas Navy / Black	719USKCANAKT
Canvas Navy / Bronze	719USZCANAKT
Canvas White / Black	719USKCAWHKT
Canvas White / Bronze	719USZCAWHKT
Spectrum Carbon / Black	719USKSPCAKT
Spectrum Carbon / Bronze	719USZSPCAKT
Spectrum Dove / Black	719USKSPDOKT
Spectrum Dove / Bronze	719USZSPDOKT
Spectrum Indigo / Black	719USKSPINKT
Spectrum Indigo / Bronze	719USZSPINKT

\*Bases sold separately.

## 8' X 11' RECTANGULAR UMBRELLA

AVAILABLE BY SPECIAL ORDER ONLY\*

Canvas Black / Black	718USKCABLKT
Canvas Black / Bronze	718USZCABLKT
Canvas Granite / Black	718USKCAGRKT
Canvas Granite / Bronze	718USZCAGRKT
Canvas Navy / Black	718USKCANAKT
Canvas Navy / Bronze	718USZCANAKT
Canvas White / Black	718USKCAWHKT
Canvas White / Bronze	718USZCAWHKT
Spectrum Carbon / Black	718USKSPCAKT
Spectrum Carbon / Bronze	718USZSPCAKT
Spectrum Dove / Black	718USKSPDOKT
Spectrum Dove / Bronze	718USZSPDOKT
Spectrum Indigo / Black	718USKSPINKT
Spectrum Indigo / Bronze	718USZSPINKT

\*Bases sold separately.



## UMBRELLA BASE

\*Bases are sold separately and available in two finishes.

22" diameter x 104.8" h

Bronze	70UMROBSBZ
Black	70UMROBSBK

# CANTILEVER & MARKET UMBRELLAS

OUTDOOR COLLECTION | UMBRELLA FRAMES AND BASES MADE IN CHINA;  
 UMBRELLAS MADE IN CHINA OF AMERICAN-MADE FABRICS;  
 SPECIAL-ORDER CANOPIES MADE IN MEXICO OF AMERICAN-MADE FABRICS



## 9' OCTAGONAL SCALLOPED UMBRELLA AVAILABLE BY SPECIAL ORDER ONLY\*

9' diameter x 10' h (covers 57 square feet)

Canvas Black / Black	719UCKCBCBKT
Canvas Black / Bronze	719UCZCBCBKT
Canvas Granite / Black	719UCKCGCGKT
Canvas Granite / Bronze	719UCZCGCGKT
Canvas Navy / Black	719UCKCNSIKT
Canvas Navy / Bronze	719UCZCNSIKT
Canvas White / Black	719UCKCWCNKT
Canvas White / Bronze	719UCZCWCNKT
Canvas White with Black Trim / Black	719UCKCWCBKT
Canvas White with Black Trim / Bronze	719UCZCWCBKT
Canvas White with Granite Trim / Black	719UCKCWCCKT
Canvas White with Granite Trim / Bronze	719UCZCWCCKT
Canvas White with Indigo Trim / Black	719UCKCWSIKT
Canvas White with Indigo Trim / Bronze	719UCZCWSIKT

## 8' X 11' RECTANGULAR SCALLOPED UMBRELLA AVAILABLE BY SPECIAL ORDER ONLY\*

8' w x 11' d x 10'4.25" h (covers 88 square feet)

Canvas Black / Black	718UCKCBCBKT
Canvas Black / Bronze	718UCZCBCBKT
Canvas Granite / Black	718UCKCGCGKT
Canvas Granite / Bronze	718UCZCGCGKT
Canvas Navy / Black	718UCKCNSIKT
Canvas Navy / Bronze	718UCZCNSIKT
Canvas White / Black	718UCKCWCNKT
Canvas White / Bronze	718UCZCWCNKT
Canvas White with Black Trim / Black	718UCKCWCBKT
Canvas White with Black Trim / Bronze	718UCZCWCBKT
Canvas White with Granite Trim / Black	718UCKCWCCKT
Canvas White with Granite Trim / Bronze	718UCZCWCCKT
Canvas White with Indigo Trim / Black	718UCKCWSIKT
Canvas White with Indigo Trim / Bronze	718UCZCWSIKT



## UMBRELLA BASE

\*Bases are sold separately and available in two finishes.

22" diameter x 104.8" h

Bronze	70UMROBSBNZ
Black	70UMROBSBLK



## CANTILEVER & MARKET UMBRELLAS

OUTDOOR COLLECTION | UMBRELLA FRAMES AND BASES MADE IN CHINA;  
 UMBRELLAS MADE IN CHINA OF AMERICAN-MADE FABRICS;  
 SPECIAL-ORDER CANOPIES MADE IN MEXICO OF AMERICAN-MADE FABRICS



### 9' OCTAGONAL BORDER UMBRELLA AVAILABLE BY SPECIAL ORDER ONLY\*

9' diameter x 10' h (covers 57 square feet)

Canvas Black with White Border / Black	719UBKBCWCWKT
Canvas Black with White Border / Bronze	719UBZCBCWKT
Canvas Granite with White Border / Black	719UBKCGCWKT
Canvas Granite with White Border / Bronze	719UBZCGCWKT
Canvas Navy with White Border / Black	719UBKCNCWKT
Canvas Navy with White Border / Bronze	719UBZCNCWKT
Canvas White with Black Border / Black	719UBKCWCWKT
Canvas White with Black Border / Bronze	719UBZCWCWKT
Canvas White with Granite Border / Black	719UBKCWCWKT
Canvas White with Granite Border / Bronze	719UBZCWCWKT
Canvas White with Navy Border / Black	719UBKCWCWKT
Canvas White with Navy Border / Bronze	719UBZCWCWKT
Canvas White with Indigo Border / Black	719UBKCSWKT
Canvas White with Indigo Border / Bronze	719UBZCSWKT
Spectrum Indigo with White Border / Black	719UBKSIWKT
Spectrum Indigo with White Border / Bronze	719UBZSIWKT

### 8' X 11' RECTANGULAR BORDER UMBRELLA AVAILABLE BY SPECIAL ORDER ONLY\*

8' w x 11' d x 10'4.25" h (covers 88 square feet)

Canvas Black with White Border / Black	718UBKBCWCWKT
Canvas Black with White Border / Bronze	718UBZCBCWKT
Canvas Granite with White Border / Black	718UBKCGCWKT
Canvas Granite with White Border / Bronze	718UBZCGCWKT
Canvas Navy with White Border / Black	718UBKCNCWKT
Canvas Navy with White Border / Bronze	718UBZCNCWKT
Canvas White with Black Border / Black	718UBKCWCWKT
Canvas White with Black Border / Bronze	718UBZCWCWKT
Canvas White with Granite Border / Black	718UBKCWCWKT
Canvas White with Granite Border / Bronze	718UBZCWCWKT
Canvas White with Navy Border / Black	718UBKCWCWKT
Canvas White with Navy Border / Bronze	718UBZCWCWKT
Canvas White with Indigo Border / Black	718UBKCSWKT
Canvas White with Indigo Border / Bronze	718UBZCSWKT
Spectrum Indigo with White Border / Black	718UBKSIWKT
Spectrum Indigo with White Border / Bronze	718UBZSIWKT



### UMBRELLA BASE

\*Bases are sold separately and available in two finishes.

22" diameter x 104.8" h

Bronze	70UMROBSBNZ
Black	70UMROBSBLK

# ARHAUS®

your home

## SPECTRA & NANO UX UMBRELLAS

OUTDOOR COLLECTION

UMBRELLA FRAMES, BASES, AND CANOPIES MADE IN BELGIUM

shown in  
Black / Black



### FIND THE IDEAL SHADE FOR YOUR OUTDOOR OASIS

Optimal outdoor coverage begins with our expansive Outdoor Umbrella Collection, including the contemporary styling of our Spectra and Nano UX Umbrellas. Chic and sturdy umbrella designs are crafted in rustproof aluminum and durable all-weather canopies are made from easy-to-clean Outdoor Performance Fabrics. Complement your poolside or patio by choosing from a variety of umbrella shapes, sizes, finishes, and canopy colors.



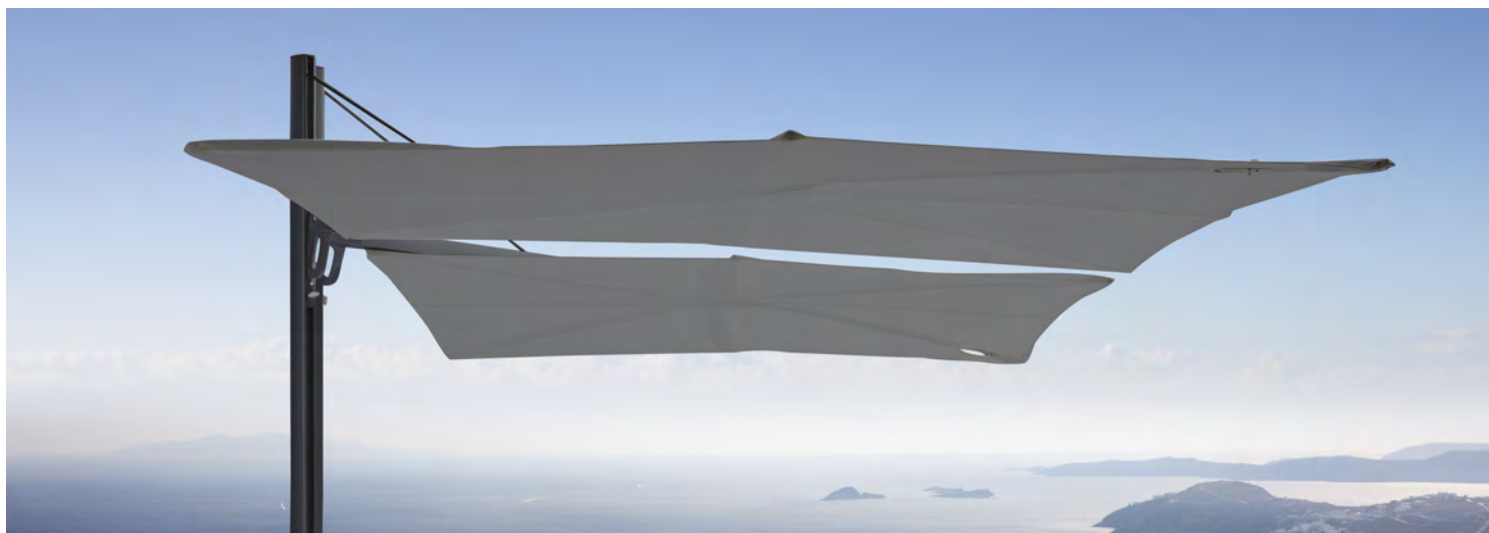
#### NEED HELP?

Visit a store, call **866.427.4287**, or **live chat** with our Design Team to learn more.

Dimensions may vary slightly. Please ensure furnishings fit through interior structures and into desired space before purchase.

420/527

shown in  
Grey / Black



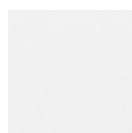
## SPECTRA UMBRELLA COLLECTION

At the intersection of distinct and contemporary, our uniquely shaped Spectra Umbrellas offer an endless variety of sun-shading positions. Boasting clean lines, neutral tones, and supreme functionality, this stunning collection is easily adjustable, wind-resistant, and beautifully durable.

### PRODUCT DETAILS

- + Designed and crafted in Belgium.
- + Spectra Umbrellas feature an easy-to-operate sliding system to open, tilt, adjust, and close canopies.
- + Canopies rotate 360 degrees, can be raised or lowered, and can be angled in a variety of positions for maximum sun shading.
- + All Spectra Umbrellas close horizontally and include custom-fit covers.
- + Canopy fabrics are weatherproof, mold- and mildew-resistant, and resistant to stains and fading.
- + Umbrella frames are lightweight yet sturdy, made from all-weather, rustproof aluminum.
- + All Spectra Umbrellas can be embedded into the ground or placed on a mobile base. Base and In-Ground Fitting are sold separately.
- + Base and In-Ground Fitting are made from galvanized steel with a black finish. Base includes wheels that can be removed.
- + Base measures 33.5" w x 33.5" d x 6.75" h and fits securely around concrete paver tiles to anchor it. Recommended paver quantity is 12 and recommended paver size is 16" w x 16" d x 1.55" h each. Pavers are not included.
- + In-Ground Fitting requires 7.5" w x 7.5" d x 14" h of space and can be filled with concrete.

#### UMBRELLA FABRICS:



Natural

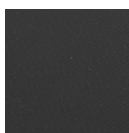


Grey



Black

#### FRAME & BASE FINISH:



Black

# ARHAUS®

your home

## SPECTRA & NANO UX UMBRELLAS

OUTDOOR COLLECTION

UMBRELLA FRAMES, BASES, AND CANOPIES MADE IN BELGIUM

shown in  
Natural / Black



### SPECTRA 8'2" SQUARE UMBRELLA\*

98.5" w x 116.25" d x 102.5" h

Natural Umbrella / Black Frame	70UM8SPCBN
Grey Umbrella / Black Frame	70UM8SPCBG
Black Umbrella / Black Frame	70UM8SPCBB

\*Base sold separately

### SPECTRA 9'10" SQUARE UMBRELLA\*

118.25" w x 136" d x 106.5" h

Natural Umbrella / Black Frame	70UM9SPCBN
Grey Umbrella / Black Frame	70UM9SPCBG
Black Umbrella / Black Frame	70UM9SPCBB

\*Base sold separately



### SPECTRA 8'2" SQUARE DUO UMBRELLA\*

212.75" w x 99.75" d 106.5" h

Natural Umbrella / Black Frame	70UMDSPCBNKT
Grey Umbrella / Black Frame	70UMDSPCBGKT
Black Umbrella / Black Frame	70UMDSPCBBKT

\*Base sold separately



### SPECTRA IN-GROUND FITTING\*

7.5" W x 7.5" D x 14" H

Black	70SPECGF
-------	----------

\*Base sold separately



### SPECTRA BASE\*

33.5" w x 33.5" d x 6.75" h

Black	70SPECBS
-------	----------

\*Base sold separately

Dimensions may vary slightly. Please ensure furnishings fit through interior structures and into desired space before purchase.

422/527

shown in  
Marble

## NANO UX UMBRELLA COLLECTION

Our uniquely shaped Nano UX Umbrellas offer optimal shading for smaller outdoor spaces. Boasting clean lines, neutral tones, and supreme functionality, this stunning collection is crafted with contemporary style and beautiful durability.

## PRODUCT DETAILS

- + Designed and crafted in Belgium.
- + Nano UX Umbrellas feature an easy-to-operate arm system to open, tilt, adjust, and close canopies.
- + Canopies rotate 360 degrees and can be angled in a variety of positions for maximum sun shading. Height cannot be adjusted.
- + Nano UX Mobile Bases are sold separately.
- + All Nano UX Umbrellas include custom-fit covers.
- + Canopy fabrics are weatherproof, mold- and mildew-resistant, and resistant to stains and fading.
- + Umbrella frames are lightweight yet sturdy, made from all-weather, rustproof aluminum.
- + Mobile Bases measure 33" w x 33" d x 6.5" h, are made from galvanized steel, and include wheels.

## UMBRELLA FINISHES:



Black  
( Black Canopy  
& Black Frame )



Marble  
( White Canopy  
& White Frame )

## BASE FINISHES:



Black



Papyrus White

# ARHAUS<sup>®</sup>

your home

# SPECTRA & NANO UX UMBRELLAS

OUTDOOR COLLECTION

UMBRELLA FRAMES, BASES, AND CANOPIES MADE IN BELGIUM

shown in  
Black



## NANO UX 8'2" SQUARE UMBRELLA\*

98.5" w x 98.5" d 82.75" h

Black

70UM8NAUXB

Marble

70UM8NAUXM

*\*Base sold separately*



## MOBILE BASE\*

33" w x 33" d x 6.5" h

Black

70UMNAUXBSB

Papyrus White

70UMNAUXBSPW

*\*Base sold separately*



# **Aluminum Market Umbrella**

## ***Assembly and Operation Guide***



Please remove all contents from the package, inspect and review checklist.


## CHECKLIST

A - (1) Finial

B - (1) Canopy/Mainframe

C - (1) Bottom Pole

A - 

B - 

C - 

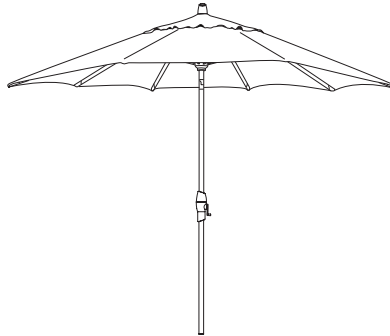
### STEP 1 Set Up

Carefully remove umbrella from box. Attach finial to top of canopy/mainframe. Insert bottom pole into canopy/mainframe pole. Line up button with hole and snap into place.



### STEP 2 Opening & Tilting Umbrella

Turn the umbrella upright and crank handle clockwise to open umbrella to its fully open position. To tilt, continue to turn the crank to desired position.



### STEP 3 Closing Umbrella

Turn crank handle in counter clockwise direction to bring umbrella back to a horizontal position. Continue to turn crank handle in counter-clockwise direction to close umbrella.





## S A F E T Y P R E C A U T I O N S :

- Close and store the umbrella in windy conditions or when a storm approaches. Never allow the umbrella to flap in the wind; this could damage the canopy.
- Do not leave open umbrella unattended. If damage occurs, this is not covered by the warranty.
- When adjusting the umbrella, make sure that no person(s) or item(s) are close to the umbrella. This is important to prevent injury or material damage.

## C A R E A N D M A I N T E N A N C E :

- When not in use, close and cover umbrella with a protective cover (not included).
- Allow a wet canopy to dry while in open position.
- If necessary, clean the fabric with lukewarm water, mild detergent, and a sponge.
- Wipe sliding marks on the aluminum poles with a damp cloth.

### Winter Storage:

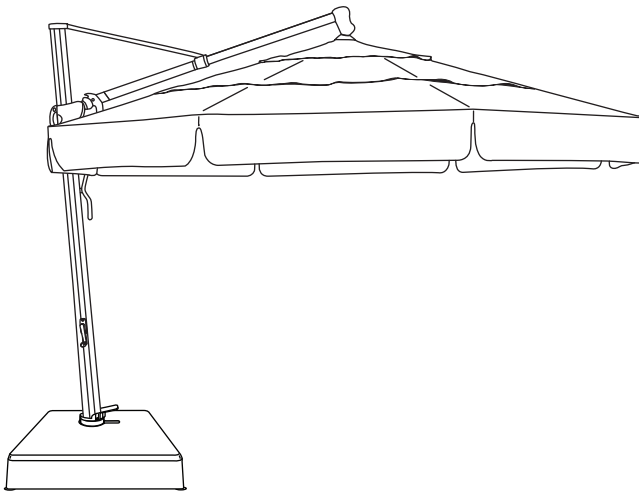
- Store in a dry, protective place.
- Any visible defects must be repaired by a professional.

### After the Winter:

- Areas subject to turning and sliding can be treated with a non-staining lubricant spray (silicone-based).
- Check the condition and function of the umbrella. Any defects must be repaired by a professional.

# **Aluminum Cantilever Umbrella**

## ***Assembly and Operation Guide***

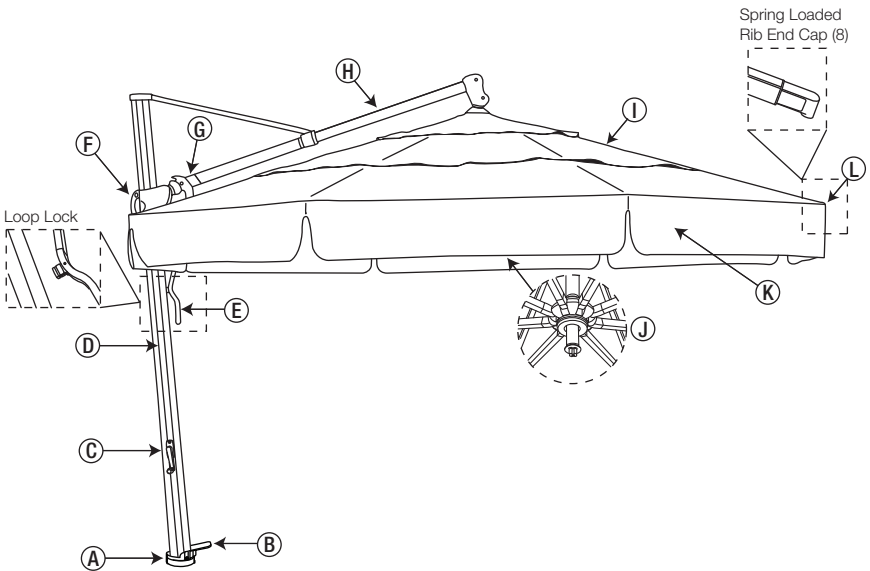


Please remove all contents from the package, inspect and review checklist.

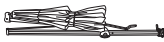






**CAUTION:** To reduce personal injury and damage to your umbrella, read and follow this assembly and operation guide. We recommend a two-person team for assembly and disassembly. *Save information for future reference.*

## CHECKLIST

- |                       |   |
|-----------------------|---|
| A - 360° Rotating Hub | G - Tilt Degree Scale                     |
| B - Base Pedal        | H - Canopy Support Beam                   |
| C - Crank Lift Handle | I - Canopy - Single or Double Wind Vent   |
| D - Main Frame Stand  | J - Light Adapter (light sold separately) |
| E - Tilt Lever        | K - Valance (optional)                    |
| F - Main Frame Grip   | L - Spring Loaded Rib End Cap             |



## PART LIST

Part	Description	Qty.
① 	Main Frame	1
② 	Crank Lift Handle	1
③ 	Hub Bolts	5
④ 	Washers	5
⑤ 	8mm Hexagon Wrench	1
⑥ 	6mm Hexagon Wrench	1
⑦ 	2.5mm Hexagon Wrench	1

**IMPORTANT:** Prior to assembly it is important to decide on the location of the umbrella.

- Allow ample height to avoid damage to your umbrella during assembly and usage.
- Choose a location that is level and sturdy.
- Avoid any sloping or soft ground.
- Consider a location that will maximize the umbrella's rotating swivel function. Placing the umbrella between two entertaining areas is ideal.

**NOTE:** Some parts may be included in the styrofoam packaging.  
DO NOT discard any packaging or box until assembly is complete.

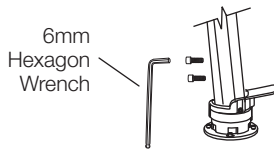
**CAUTION:** Fully assembled, the umbrella weighs *over 500 lbs.*

Moving the umbrella fully assembled will increase the risk of damage to your umbrella and/or can cause serious injury. *We recommend a two-person team for assembly and disassembly.*

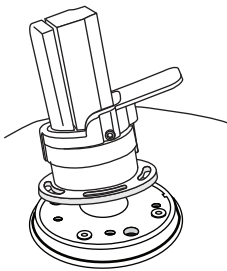
## STEP 1 Rotating Hub Assembly

If you have already installed your rotating hub onto your base or mount kit, please skip to Step 2.

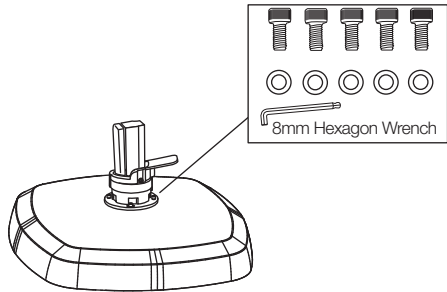
Remove rotating hub from the main frame by removing the (2) main frame bolts and (2) washers (Fig. 1), set aside bolts for later use. Now, place rotating hub onto base plate (if installing onto a mount kit), inverted plate (if installing onto 200 lbs. base) or base frame (if installing onto 400 lbs. base) (Fig. 2) and tighten with (5) supplied hub bolts and washers (Fig. 3). Example shown on 200 lbs. base below.



(Fig. 1)



(Fig. 2)



(Fig. 3)

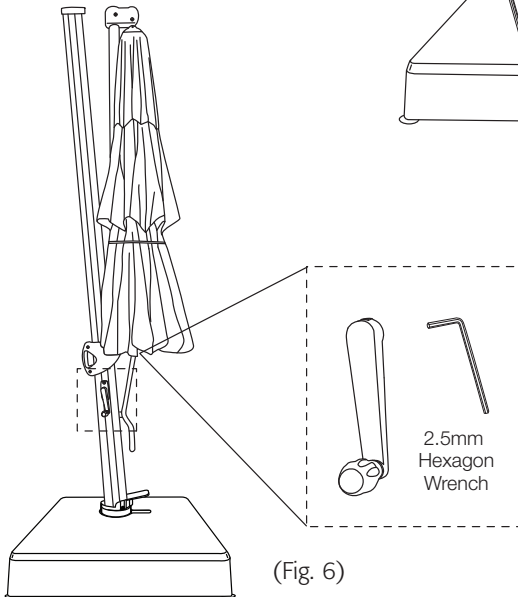
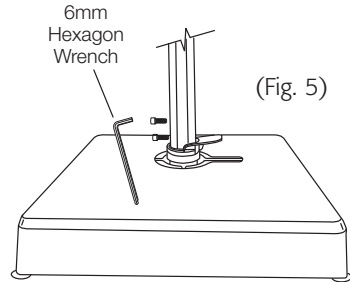
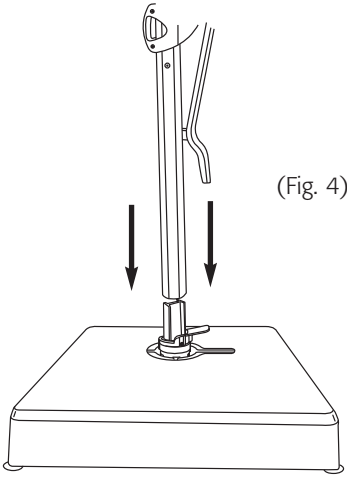
## STEP 2 Umbrella Assembly

### ***Two-persons recommended for team lift and to complete assembly.***

With base cover in place or mount kit installed, insert the main frame onto the installed rotating hub (Fig. 3) {align tilt lever with foot pedal}. Assembled in upright position, insert the (2) bolts and (2) washers and tighten using 6mm hexagon wrench provided (Fig. 4). Install the crank lift handle onto the mid-area of the main frame. Use the 2.5mm hexagon wrench provided to lock in the small screw (Fig. 5).


**REMOVE ALL PLASTIC PACKAGING MATERIAL FROM ALL PARTS PRIOR TO OPENING UMBRELLA. CHECK UNDER CANOPY FOR PACKAGING AROUND RIBS.**

*Your umbrella is now ready to operate!*

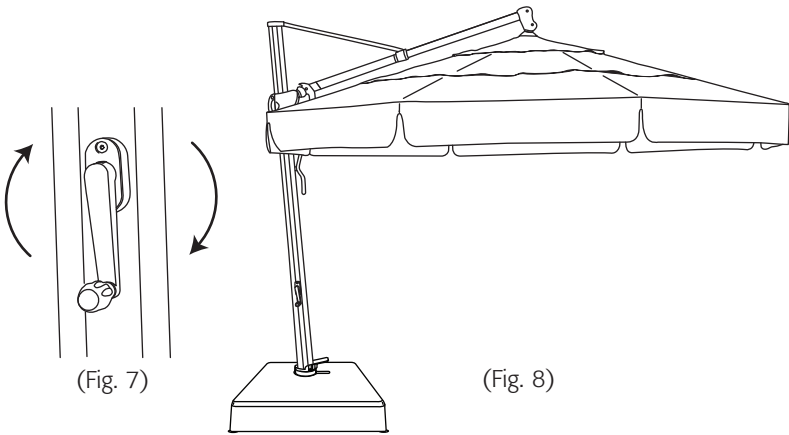


### STEP 3 Operation


#### To Open Canopy:

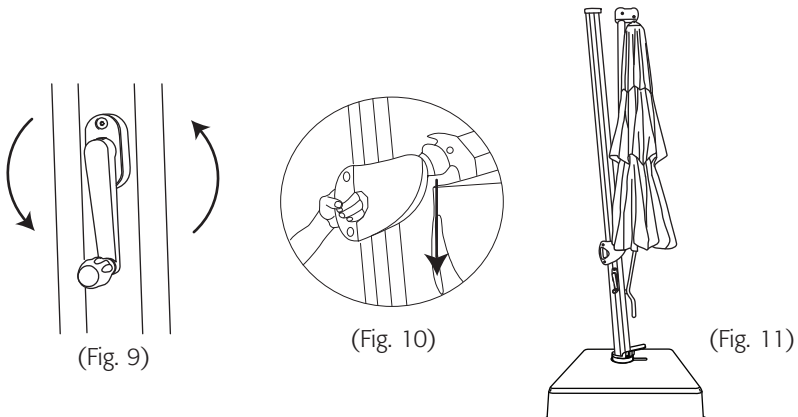
Slowly turn the crank lift handle clockwise  to open the umbrella to a level position (Fig. 7). **CAUTION:** Stop turning the crank handle as soon as the umbrella cover is completely open and the sleeve on the umbrella pole has reached its maximum height (Fig. 8).

**WARNING:** Do not continue to crank once umbrella canopy is completely open, it may impair your ability to disengage the tilt lever.



#### To Close Canopy:

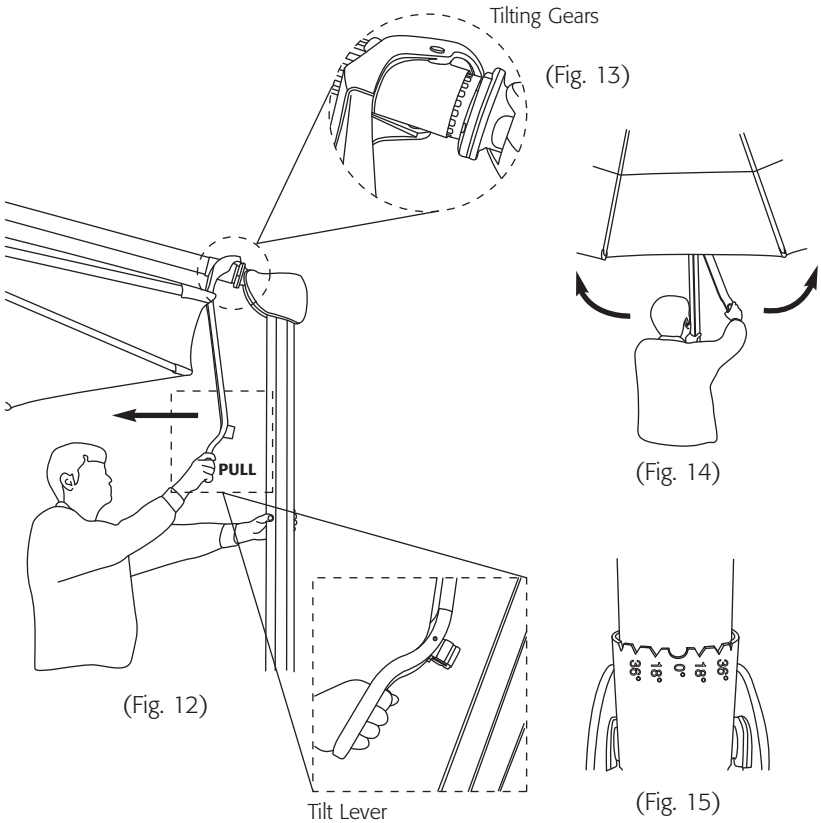
Slowly turn the crank lift handle counter-clockwise  (Fig. 9) with one hand and slide the main frame grip down with the other hand (Fig. 10) until the canopy is fully closed (Fig. 11). **NOTE:** Prior to closing insure that the canopy is in a level (non-tilted) position.



**IMPORTANT:** PRIOR TO USING THE TILT FEATURE. To avoid personal injury or damage to the umbrella, make sure the area behind you is clear and free from any furniture or structure.

**To Tilt Canopy:**

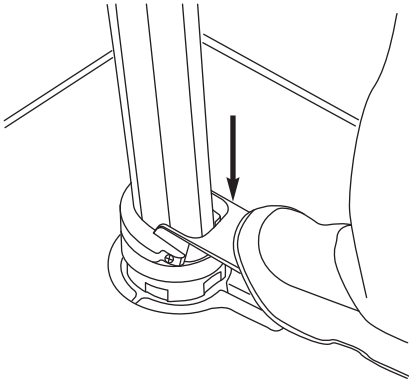
Make sure canopy is fully OPEN. Position yourself in front of the tilt lever and pull loop lock from main frame track (Fig. 12). Pull out further to dis-engage tilting gears and reveal gear teeth (Fig. 13). Move the tilt lever to the left or right, opposite the desired tilt direction (Fig. 14). Use the tilt degree scale as a guide (Fig. 15). Now, push forward slightly to re-engage tilting gear teeth. Move tilt lever to center position (canopy should be moving also) and snap the loop lock back into main frame track.



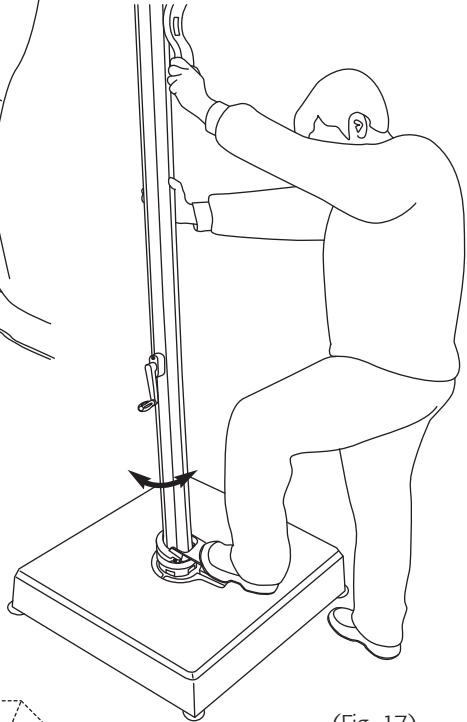


**To OPERATE the 360° Rotating Hub Swivel:**

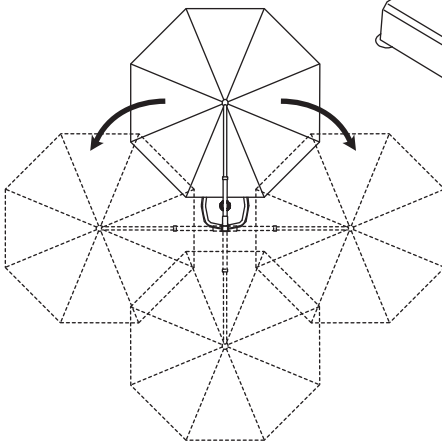
Place your foot on the foot pedal of the rotating hub and *step-on* the base pedal to release rotating lock (Fig. 16). Place one hand on the main frame and one hand on the tilt lever (Fig. 17), swivel the umbrella frame in either direction until desired position is reached (Fig. 18). Step off the foot pedal to engage rotating lock and lock position (you will hear the pedal click, as it reaches the next available lock position).



(Fig. 16)




(Fig. 17)



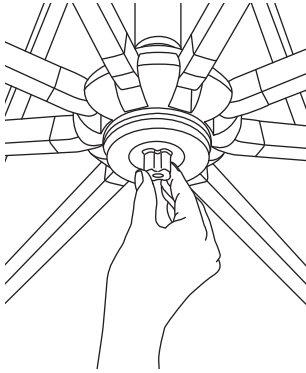
(Fig. 18)

### To ATTACH Umbrella Light: (sold separately)

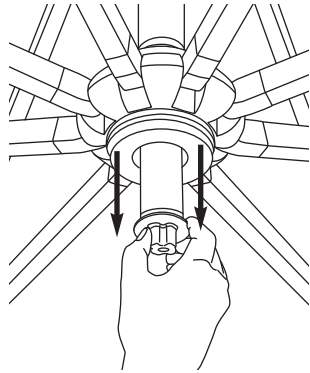
Loosen the light adapter built into the umbrella runner by turning counter-clockwise  (Fig. 19). After loosening, pull down light adapter post (Fig. 20) to attach the umbrella light (sold separately).

### To REMOVE Umbrella Light and CLOSE adapter:

Remove umbrella light, and gently push up the light adapter post back into umbrella runner and tighten turning clockwise  **NOTE:** It is not necessary to remove light to close umbrella.



(Fig. 19)



(Fig. 20)

## S A F E T Y P R E C A U T I O N S :

- Close the umbrella in windy conditions or when a storm approaches. Never allow the umbrella to flap in the wind; this could damage the canopy.
- Do not leave open umbrella unattended. If damage occurs, this is not covered by the warranty.
- When adjusting the umbrella, make sure that no person(s) or item(s) are close to the umbrella. This is important to prevent injury or material damage.

## C A R E A N D M A I N T E N A N C E :

- When not in use, close and cover umbrella with a protective cover.
- If necessary, clean the fabric with lukewarm water, mild detergent, and a sponge.
- Allow a wet canopy to dry slightly opened, but do not leave unattended.
- Wipe sliding marks on the aluminum poles with a damp cloth.

### Winter Storage:

- Store in a dry place.
- Any visible defects must be repaired by a professional.

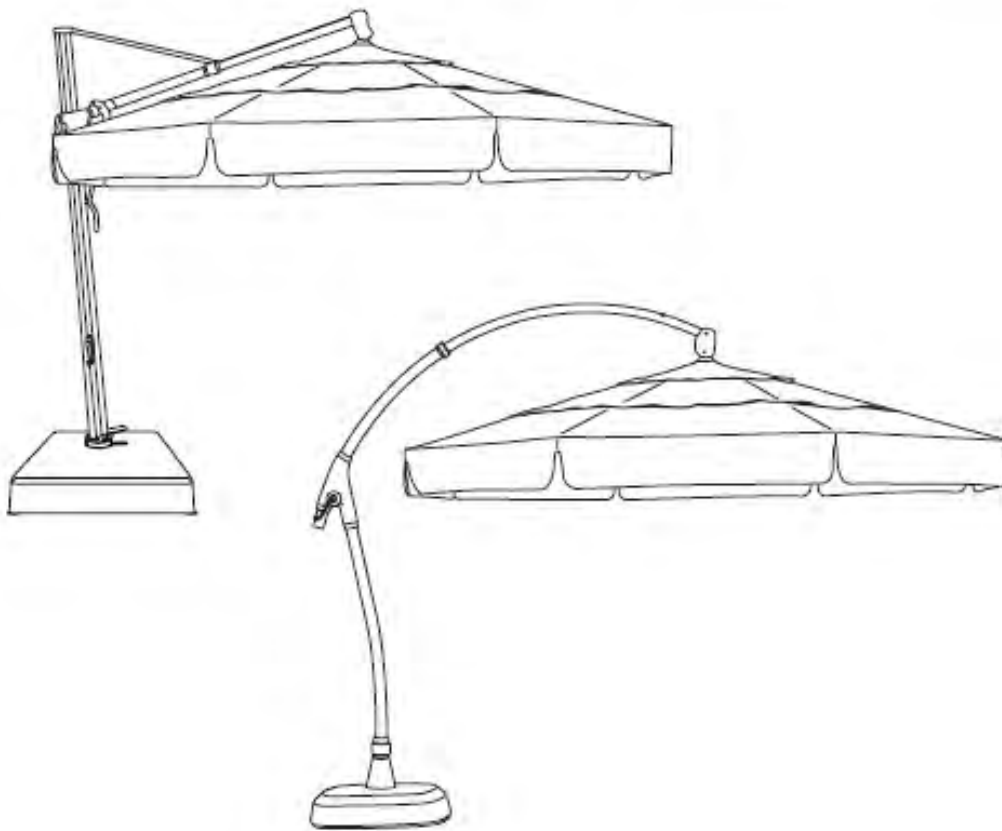
### After the Winter:

- Areas subject to turning and sliding can be treated with a non-staining lubricant spray (silicone-based).
- Check the condition and function of the umbrella. Any defects must be repaired by a professional.

ARHAUS®

# **AKZ/AG28 Series Canopy Replacement**

*Assembly and Operation Guide*



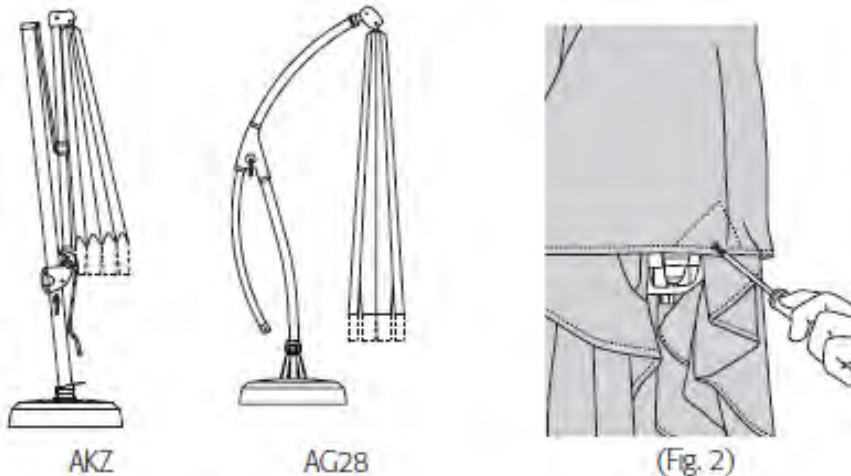
## AKZ and AG28 CANOPY REPLACEMENT

### STEP 1

Make sure umbrella is in closed position (Fig. 1).

For octagon canopies, please skip to Step 2.

For square and rectangle canopies, use a phillips screwdriver to unscrew all 8 screws from spring loaded rib end caps (Fig. 2) and set screws aside for later use.



(Fig. 1)

### STEP 2

**NOTE: A ladder and two-person team recommended for canopy removal and replacement.**

While one person holds the ladder for safety, the second person climbs the ladder until they reach top of the umbrella (Fig. 3).



### STEP 3

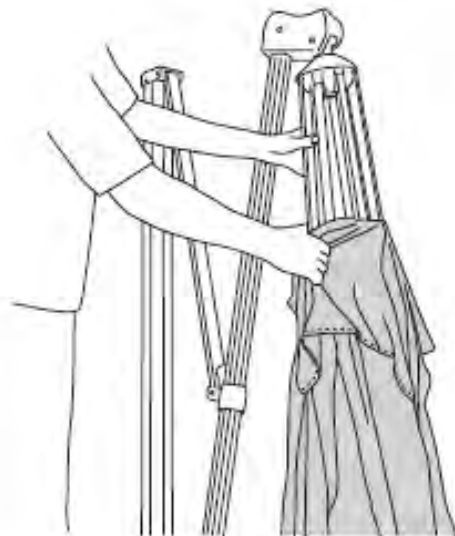
From the top of the canopy, twist the back of the canopy towards you so you can access the velcro and zipper (Fig. 4). Open velcro flap and unzip canopy (Fig. 5). Begin to slide canopy down ribs (Fig. 6). Safely step down ladder and continue to remove canopy (Fig. 7).



(Fig. 4)



(Fig. 5)



(Fig. 6)



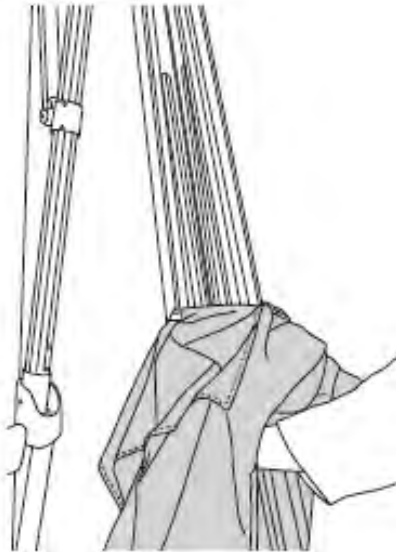
(Fig. 7)

## STEP 4

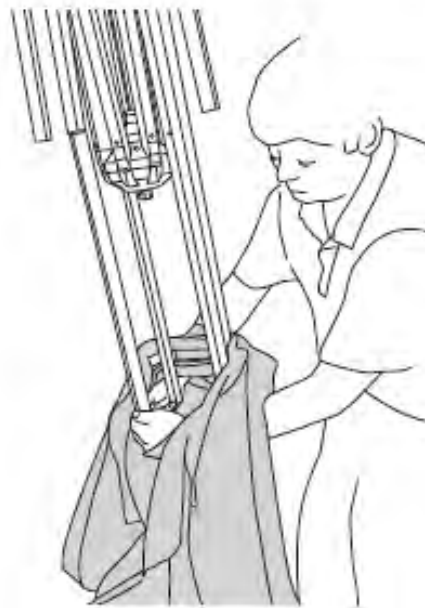
Unfold new replacement canopy. Gather bottom of canopy (larger opening) to the top of canopy (smaller opening).

For octagon canopies, slide top opening of canopy over all 8 ribs (Fig. 8). For square and rectangle canopies, start by sliding top opening of canopy over the 4 longest ribs (Fig. 9). When the 4 longest ribs are inside canopy, pull the canopy up slightly and pull canopy over the 4 shortest ribs.

Once all 8 ribs are inside canopy, begin to slide canopy up while second person holds canopy to prevent canopy from dragging on floor and getting dirty (Fig. 10). Continue to slide canopy up ribs while safely dimbing up ladder and second person moving over to ladder for extra support (Fig. 11).



(Fig. 8)



(Fig. 9)



(Fig. 10)



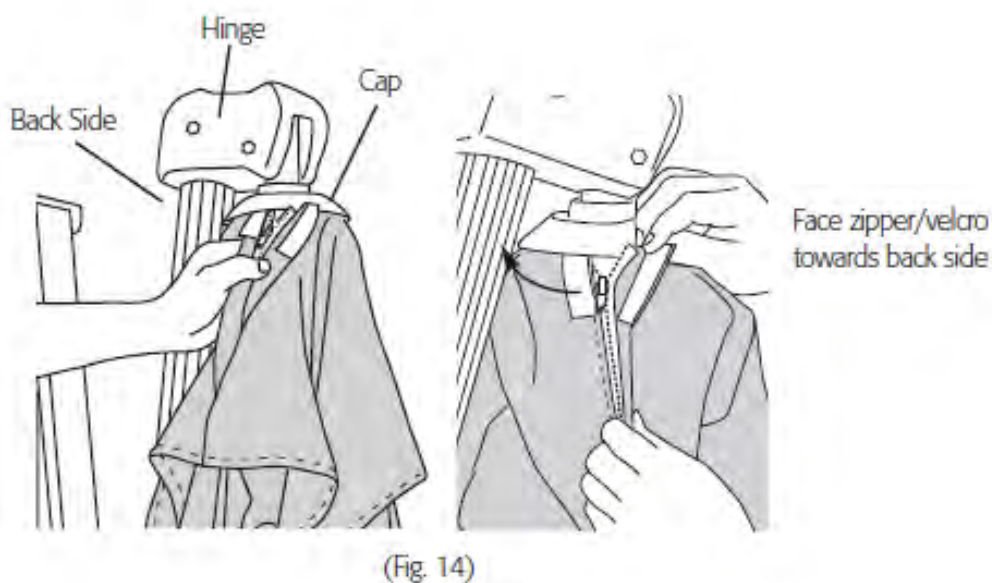
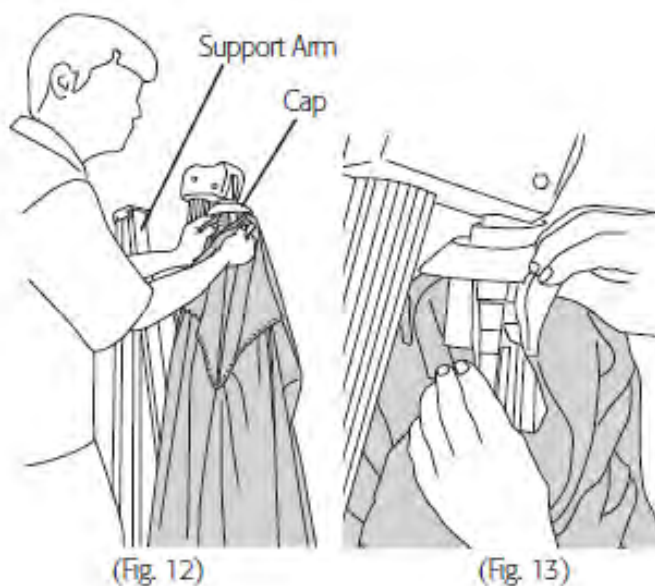
(Fig. 11)



## STEP 5

When you reach the top of the umbrella, slide canopy down under cap (Fig. 12).

**NOTE:** Make sure velcro and zipper on canopy are facing the back side (towards the canopy support arm). Velcro top together first to keep canopy from sliding back down ribs (Fig. 13). Zip up canopy and velcro flap together (Fig. 14). Tuck canopy under cap.

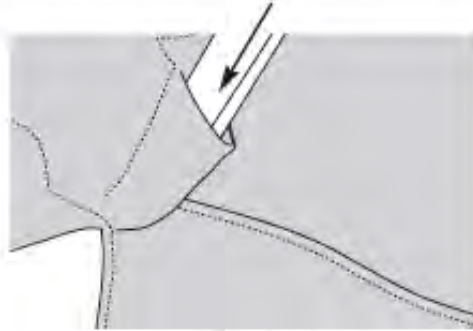




## **STEP 6**

Safely climb down ladder. Line up ends of canopy with spring loaded rib ends.

*For octagon canopies, slide spring loaded rib ends into canopy pockets located under canopy (Fig. 15).*



(Fig. 15)

*For square and rectangle canopies, attach 8 screws back onto end of canopy and spring loaded rib end caps (Fig. 16).*

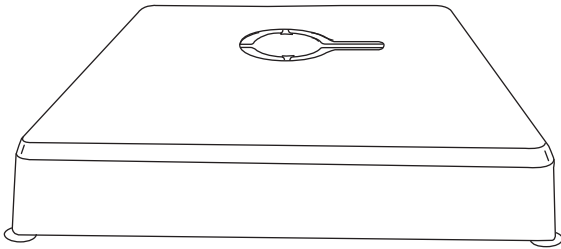


(Fig. 16)

Smooth out canopy as necessary. Your umbrella is now ready for use.

# **400 lb. Cantilever Base**

## ***Assembly and Operation Guide***



Please remove all contents from the package, inspect and review parts list.

**CAUTION:** To reduce personal injury and damage to your base or umbrella, read and follow this instruction manual. We recommend a two-person team for assembly and disassembly. *Save information for future reference.*

## PART LIST

Part		Description	Qty.
①		Base Cover	1
②		Steel Base Frame	1
③		Add-On Weight Containers	4
④		Feet	4
⑤		Screws	4
⑥		Wrench	1
⑦		Playground Sand (not included)	400 lbs.

**IMPORTANT:** Prior to assembly it is important to decide on the location of the umbrella.

- Allow ample height to avoid damage to your umbrella during assembly and usage.
- Choose a location that is level and sturdy.
- Avoid any sloping or soft ground.
- Consider a location that will maximize the umbrella's rotating swivel function. Placing the umbrella between two entertaining areas is ideal.

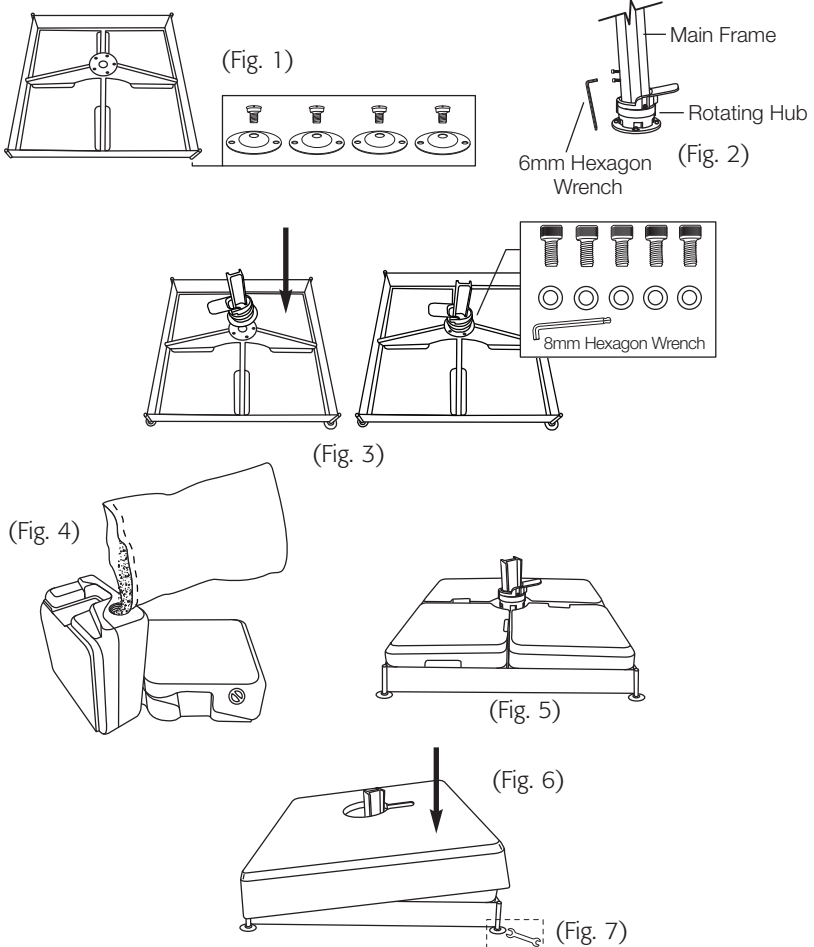
**NOTE:** Some parts may be included in the styrofoam packaging. DO NOT discard any packaging or box until assembly is complete.

### REQUIRED FOR ASSEMBLY:

- 400 lbs. playground sand (not included).

## Base Assembly

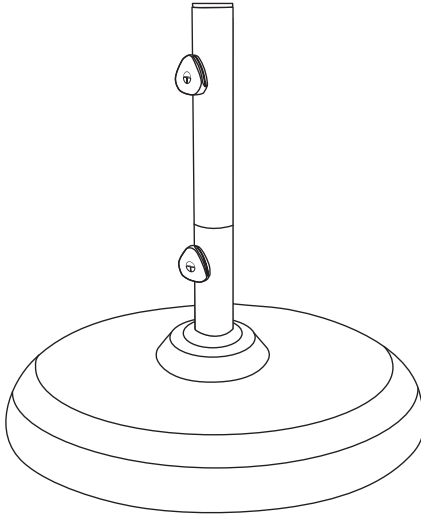
Select area to set base frame and place in desired location. **NOTE:** Moving the umbrella will be difficult once fully assembled. Screw (4) feet onto bottom of base frame with supplied (4) screws (Fig. 1). Remove rotating hub from the main frame (sold separately) by removing the (2) bolts and (2) washers (Fig. 2), set aside bolts and washers for later use. Now, place rotating hub onto base frame and secure with supplied (5) hub bolts and washers included with umbrella (Fig. 3). Remove caps from each add-on weight container and fill with dry playground sand (Fig. 4). The containers hold up to 400 lbs. of sand. Fill each add-on weight with playground sand. Place each add-on weight container into base frame sections (Fig. 5). Carefully place base cover onto base frame (Fig. 6). **LEVELING:** If needed, adjust frame corners using supplied wrench until frame is level (Fig. 7). Your base is now ready for umbrella installation.



**CAUTION:** Fully assembled, the umbrella weighs over 500 lbs. Moving the umbrella fully assembled will increase the risk of damage to your umbrella and/or can cause serious injury. We recommend a two-person team for assembly and disassembly.

# **Commercial** 150<sub>LB</sub> **Cast Aluminum** **Base**

*Assembly and Operation Guide*

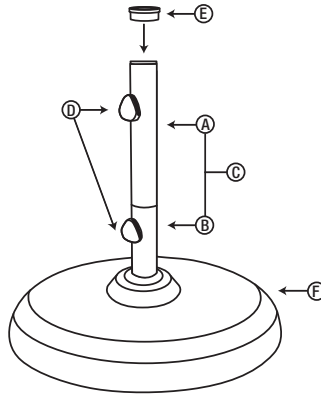


Please remove all contents from the package, inspect and review checklist.

## COMMERCIAL BASE CHECKLIST

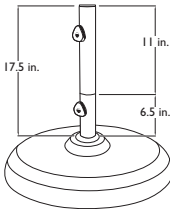
- A - Upper Stem 11 in.
- B - Reduced Stem 6.5 in.
- C - Full Stem 17.5 in.

- D - Knobs (2)
- E - Reducer
- F - Base



### Set Up

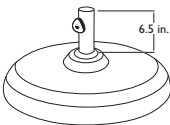
Turn base stem clockwise  until fully tightened.



Recommended for free-standing



Free-standing application



Reduce stem for  
under the table use

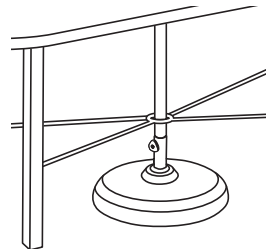
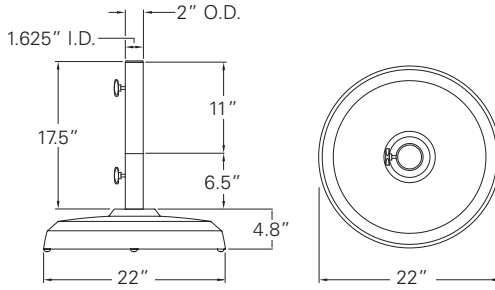


Table application

## Dimensions



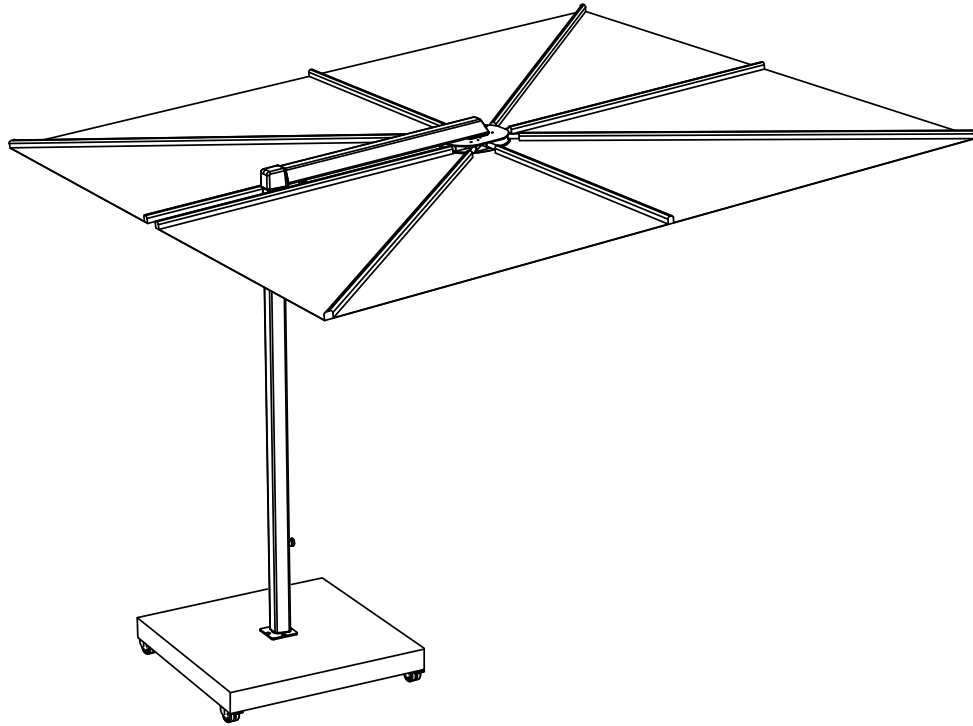
---

### CAUTION: HANDLE WITH CARE

- To reduce personal injury and damage, read and follow this Assembly and Operation information.
- Close the umbrella in windy conditions or when a storm approaches. Never allow the umbrella to flap in the wind; this could damage the canopy.
- Do not leave open umbrella unattended.
- Do not allow children to play on or with the base.

# ARHAUS®

Nano UX Outdoor Umbrella





## SAFETY STATEMENTS & WARNINGS



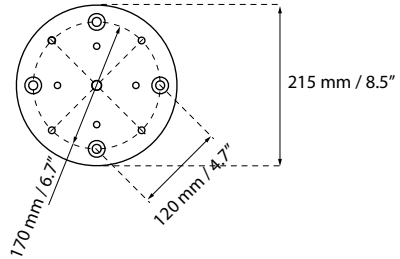
- Product is suitable for light wind and/or light rain only.
- Position product in direction of wind as recommended in user manual.
- Do not use product in inclement weather, such as strong wind, thunderstorms, heavy rain or snow, and make sure that the umbrella is closed and stored in advance.
- Never allow the umbrella to flap in the wind. This could cause personal injury, damage to personal property, damage to umbrella and/or umbrella canopy.
- Close product and secure strap when not in use.
- Do not use product without its base or unless attached to building structure, and keep umbrella secured to umbrella base or mount at all times.
- Do not use product over or near harsh chemicals or open flames.
- Place product on stable and level surface.
- Do not allow children to assemble or operate product.
- Do not leave product unattended.
- Store product indoors during winter and extreme weather conditions.
- When adjusting or assembling the umbrella or umbrella base, make sure fingers, toes or any other parts of the body are clear from moving parts. Failing to do so may result in serious injury.
- Read owner's manual.
- Any modifications to the product or failure to follow recommended care will void the warranty.
- Wind damage is not covered under our limited warranty.

## DISCLAIMER:

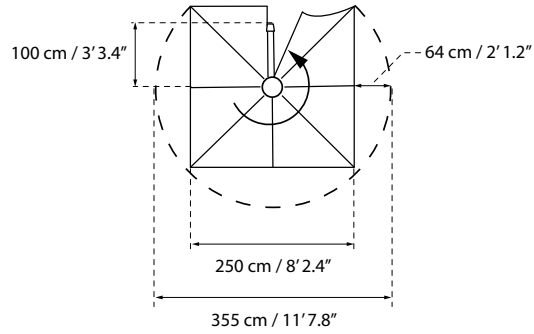
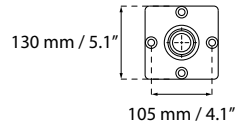
All mounting kits and supports for inground fitting and installation on hard surfaces should only be installed by a licensed contractor duly qualified to perform the installation.

## INSTALLATION DIMENSIONS

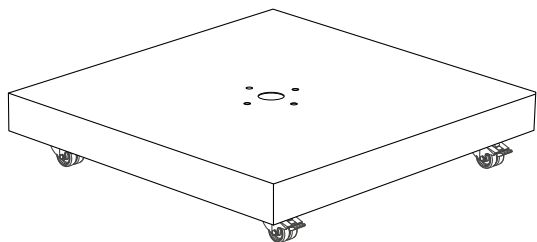
### FLOOR PLATE



### SUPPORT



# NANO UX BASE INSTALLATION



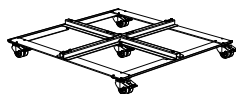
**MABOLG0010**  
8x



**MABOLG0030**  
4x



**MABASPROT1**  
1x



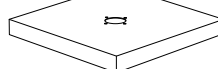
1x



1x



1x



**MAFIXTOFNANO-\***  
1x

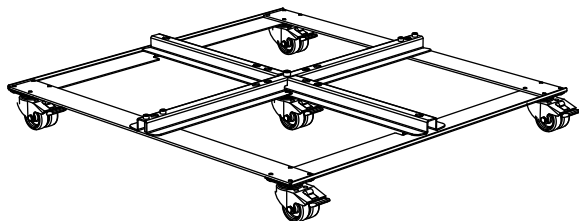


S6

## NANO UX BASE INSTALLATION

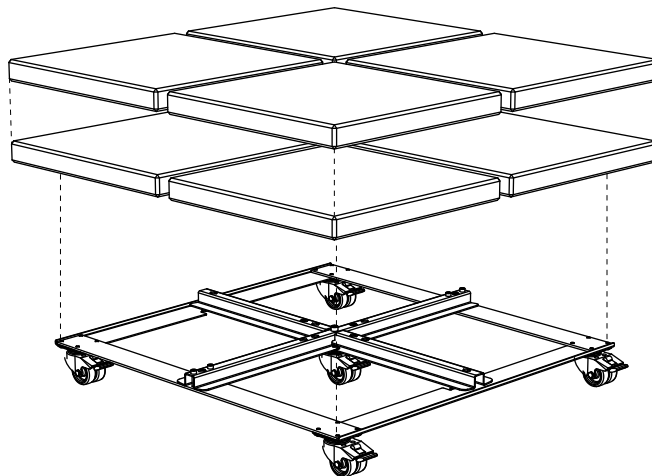
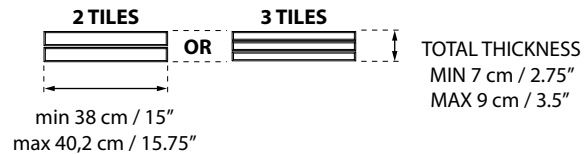


1



2

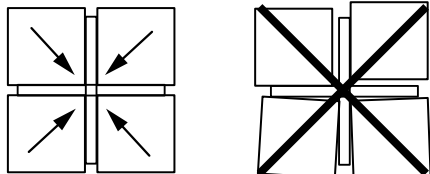
Concrete, ceramic or stone tiles:



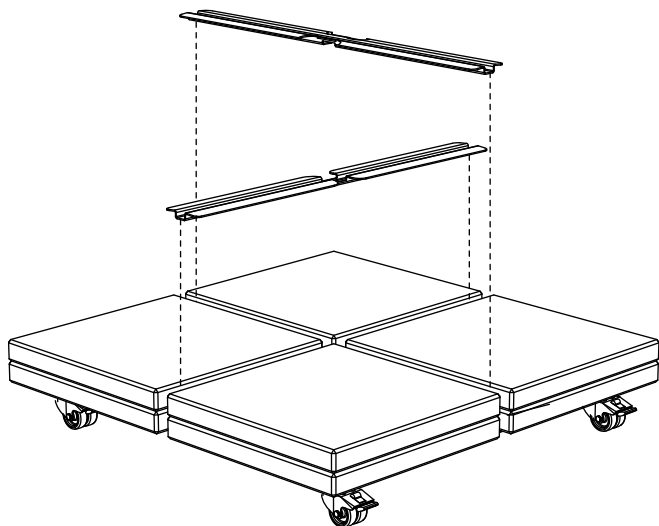
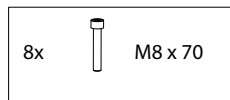
## NANO UX BASE INSTALLATION



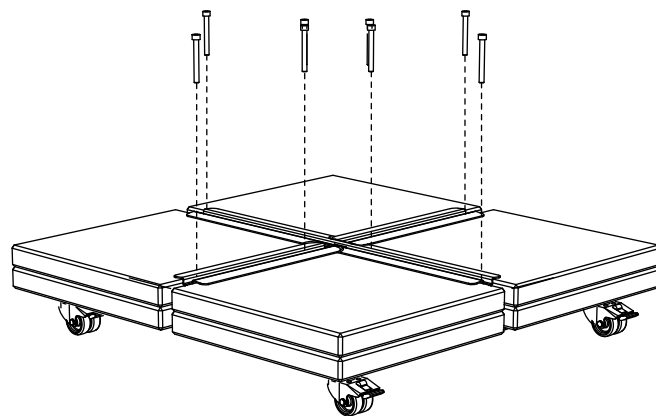
3



4



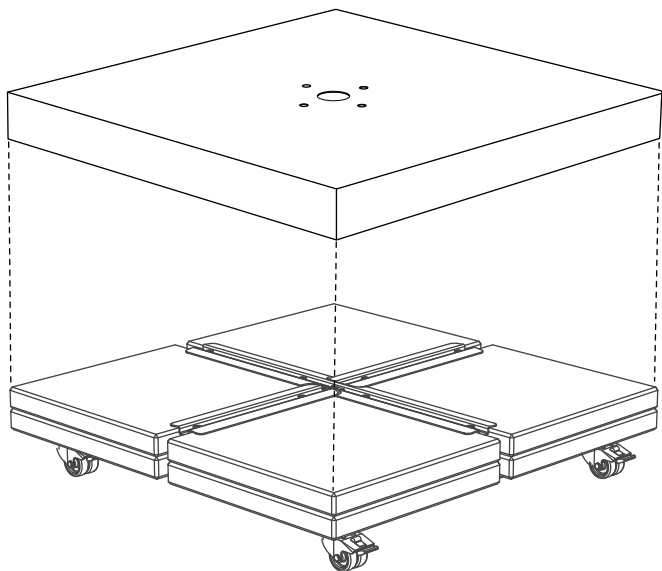
TIGHTEN WELL



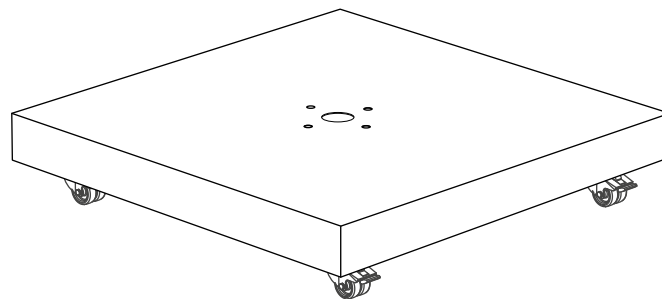
## NANO UX BASE INSTALLATION



5



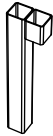
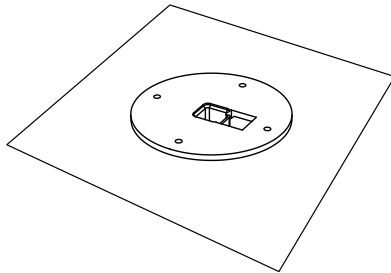
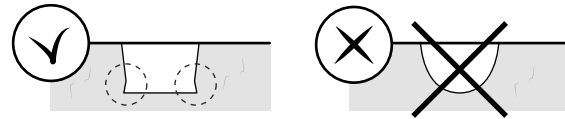
5



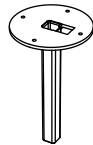
# CONCRETE ANCHOR INSTALLATION



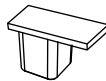
1



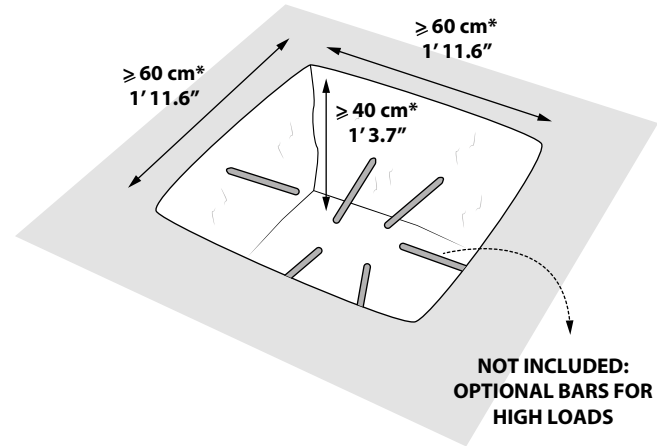
HITUBG0000



MAFIXCROTG000000



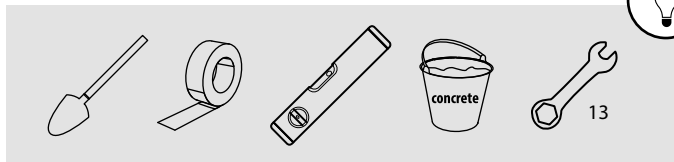
MAPLAI0320



**NOT INCLUDED:  
OPTIONAL BARS FOR  
HIGH LOADS**



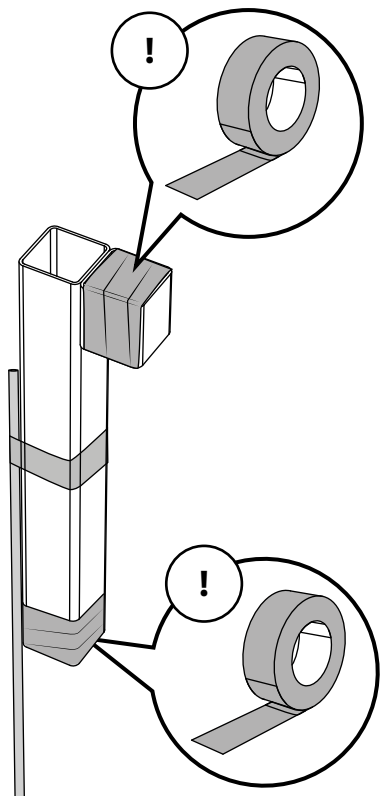
ENG Dimensions are indicative. Final responsibility always lies with the installer.



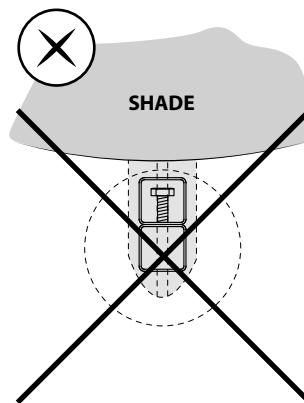
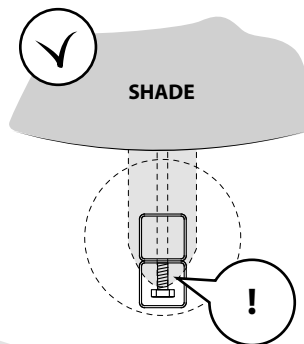
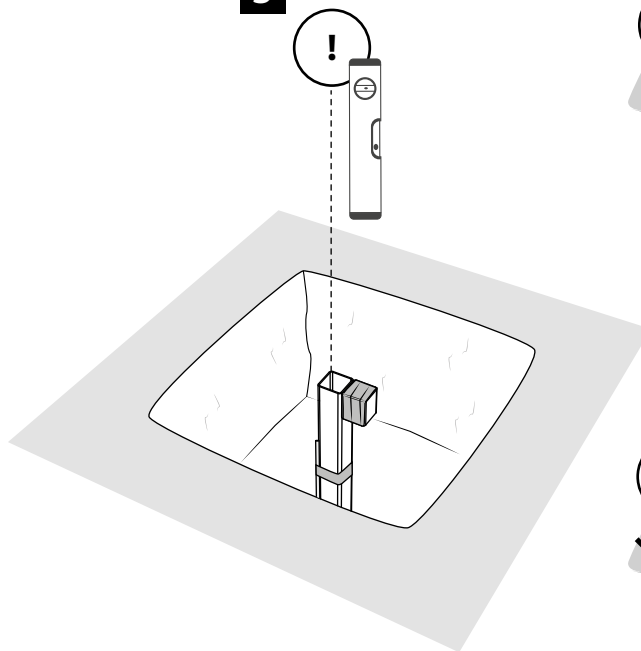
## CONCRETE ANCHOR INSTALLATION



2



3

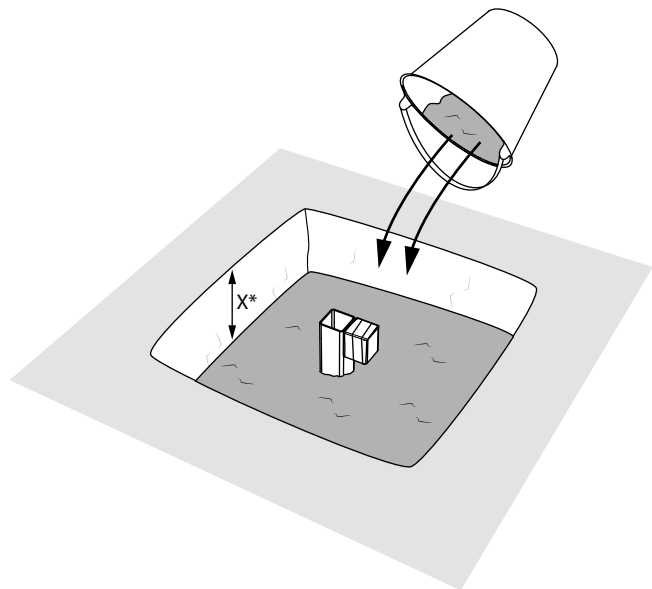




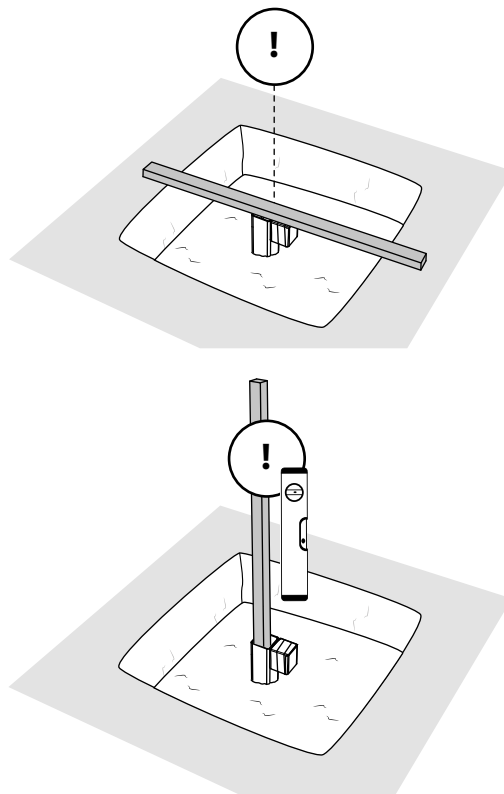
# CONCRETE ANCHOR INSTALLATION






4



5

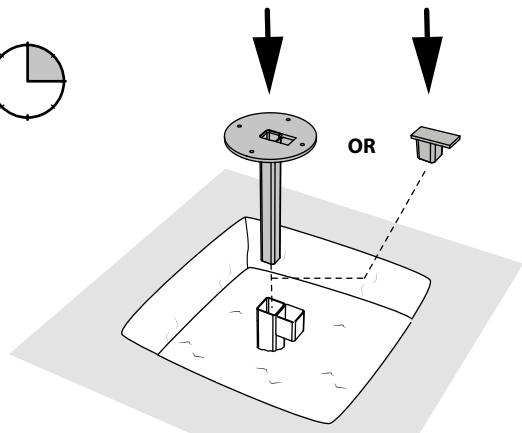


	 GRASS	 GRAVEL	H  TILES
↑ X* ↓	10 cm 3.9"	4 cm 1.6"	= H

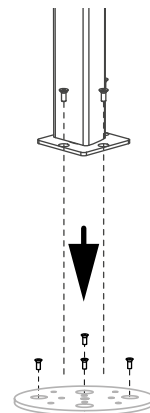
# CONCRETE ANCHOR INSTALLATION



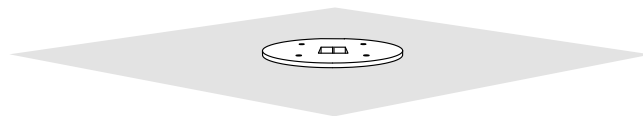
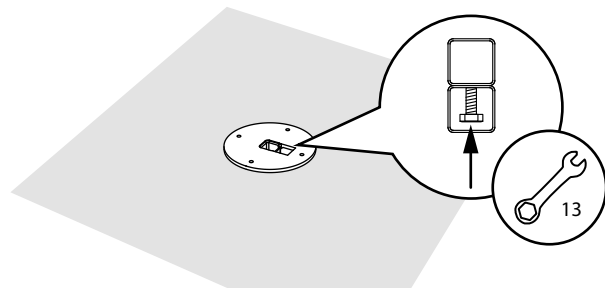
6



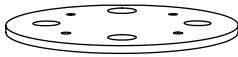
8



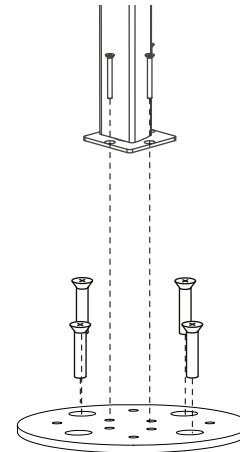
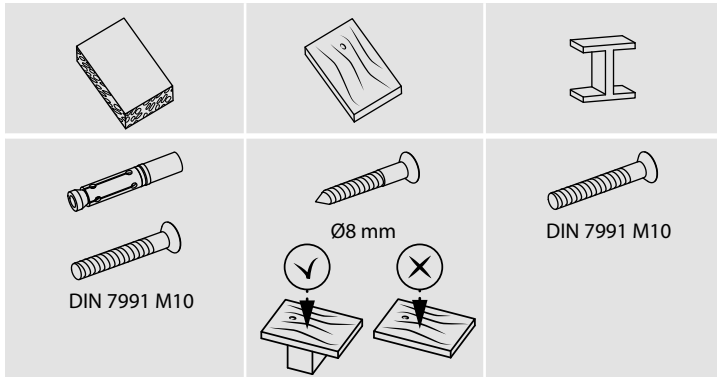
7



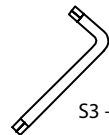
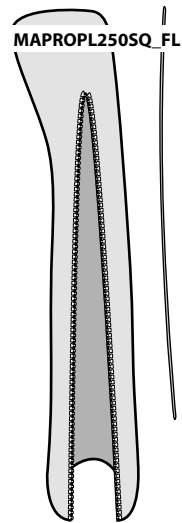
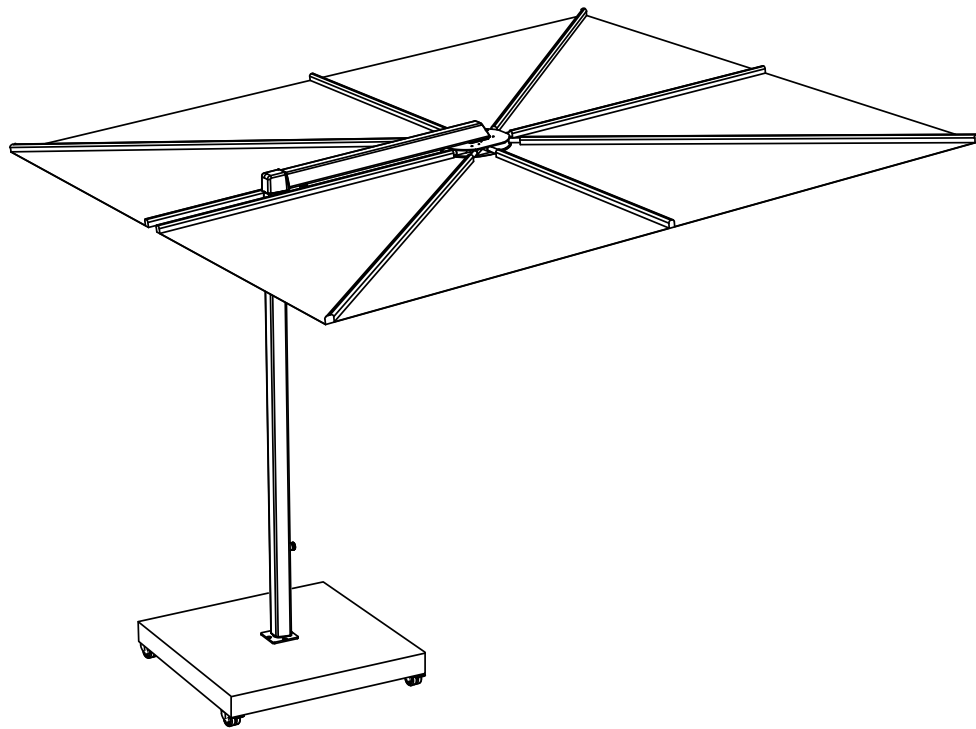
# BASEPLATE INSTALLATION



Not included



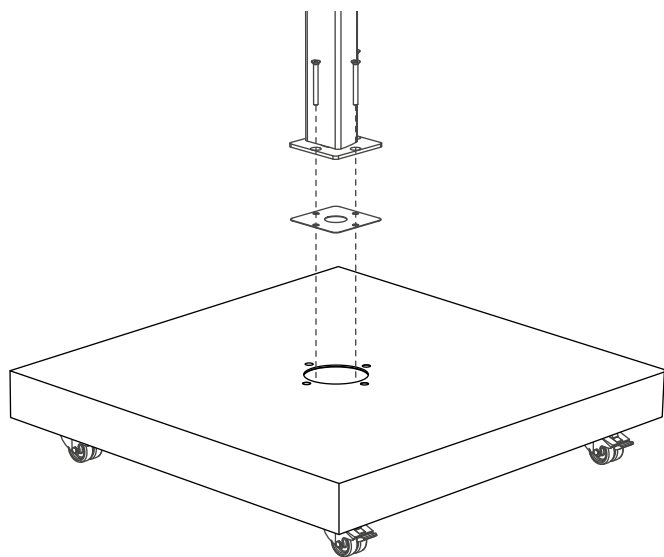
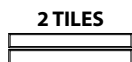
# NANO UX INSTALLATION



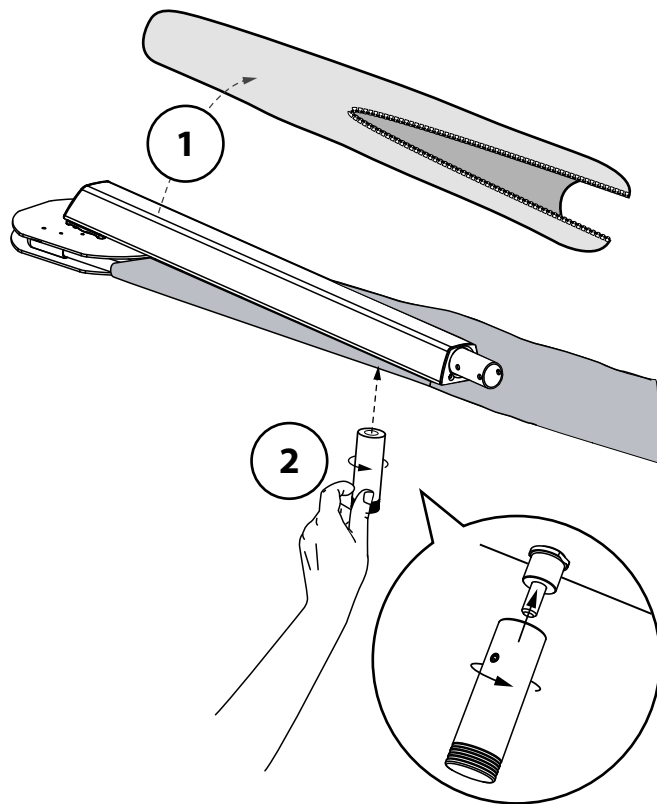
## NANO UX NANO INSTALLATION



1



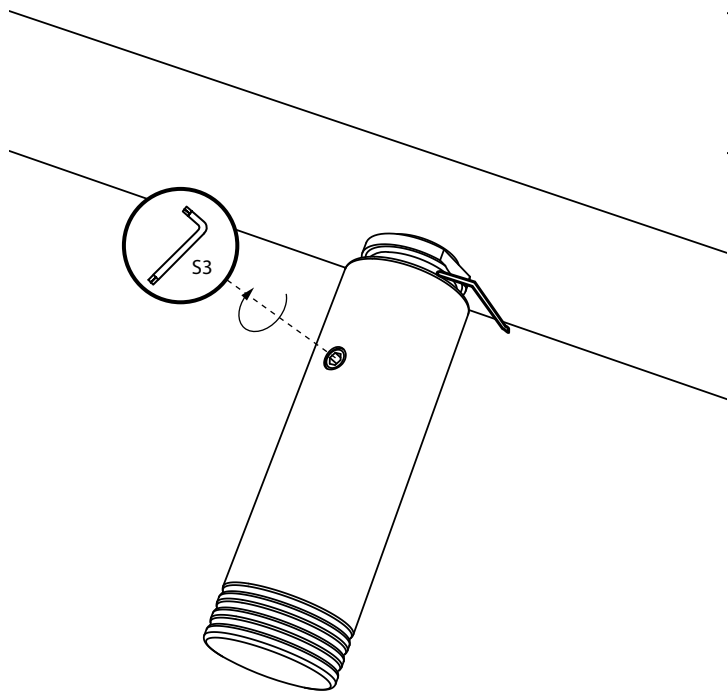
2



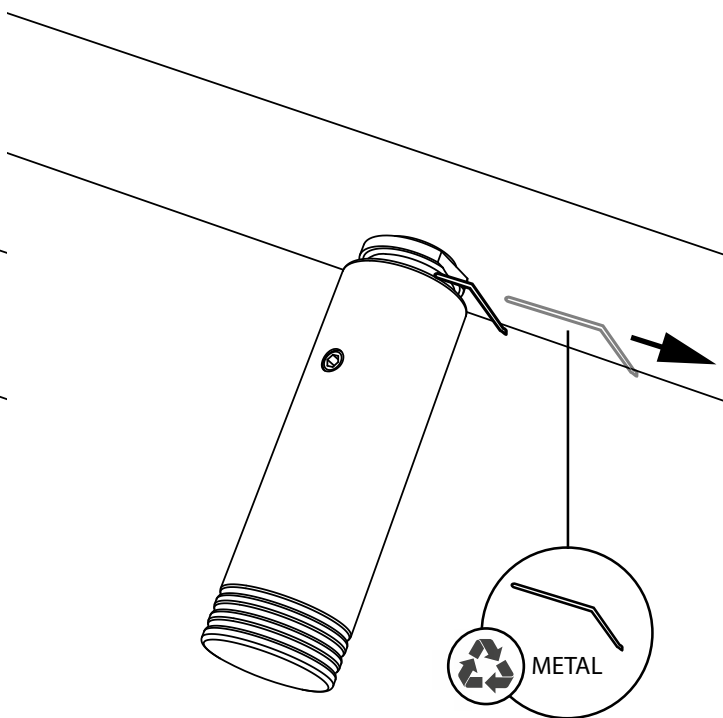
# NANO UX INSTALLATION



**3**



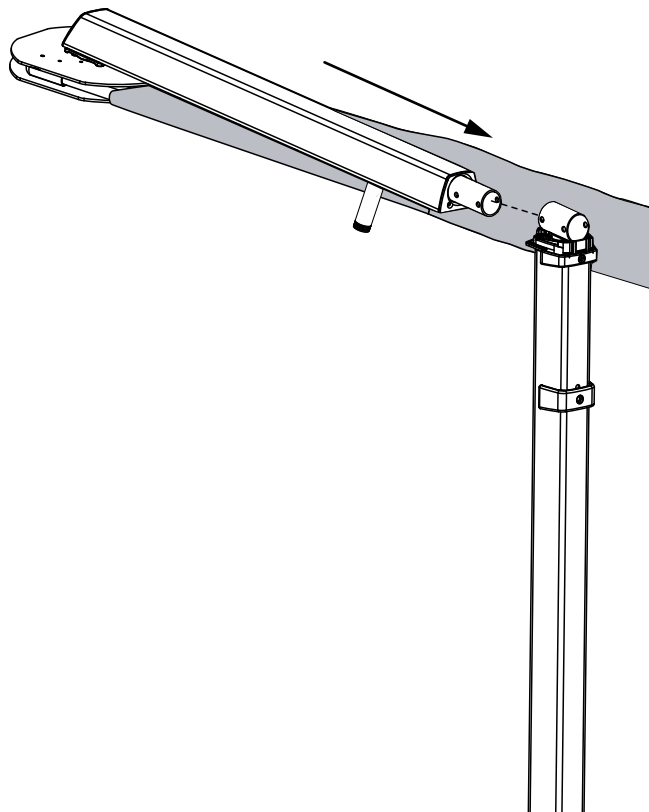
**4**



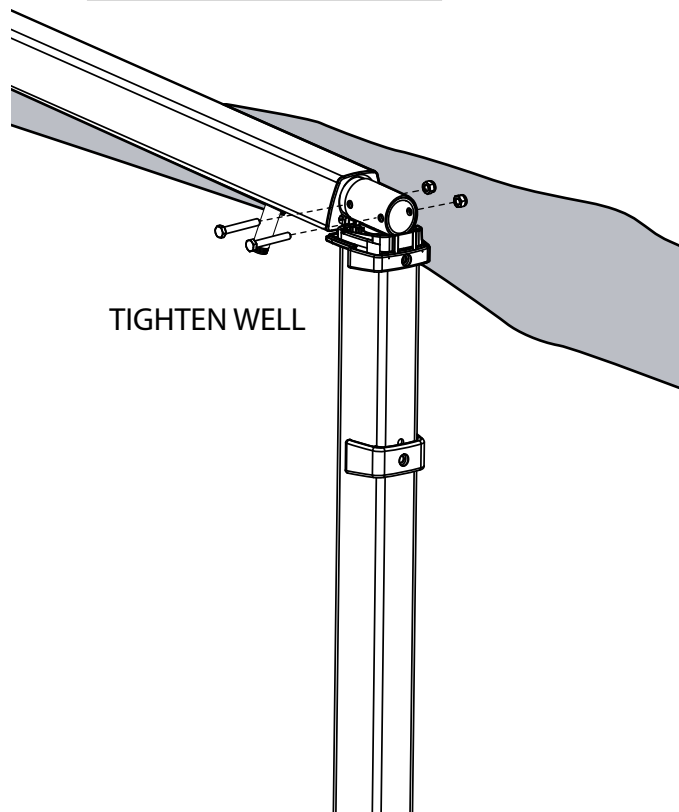
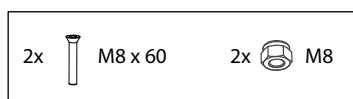
## NANO UX INSTALLATION



**5**



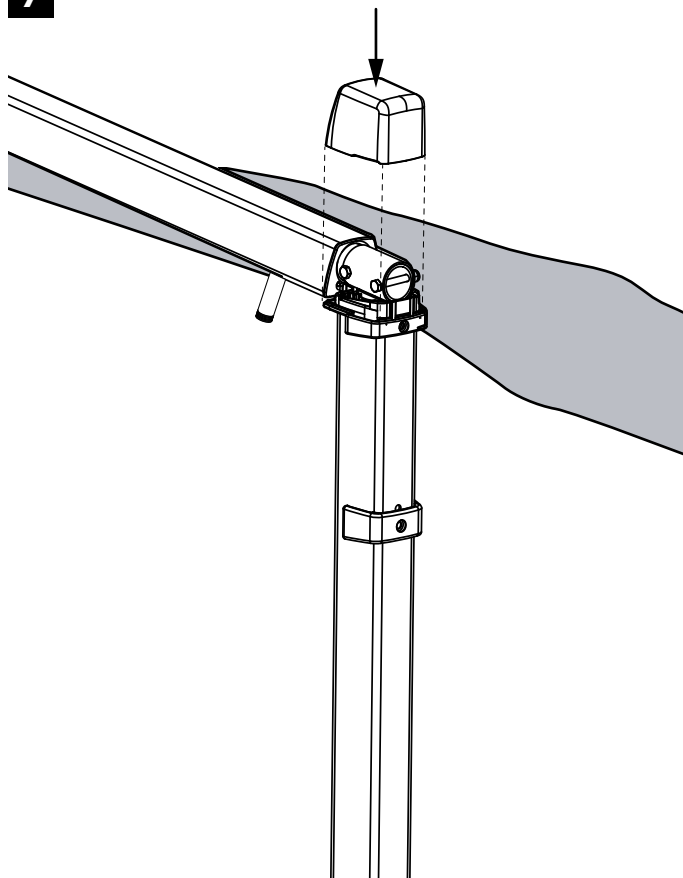
**6**



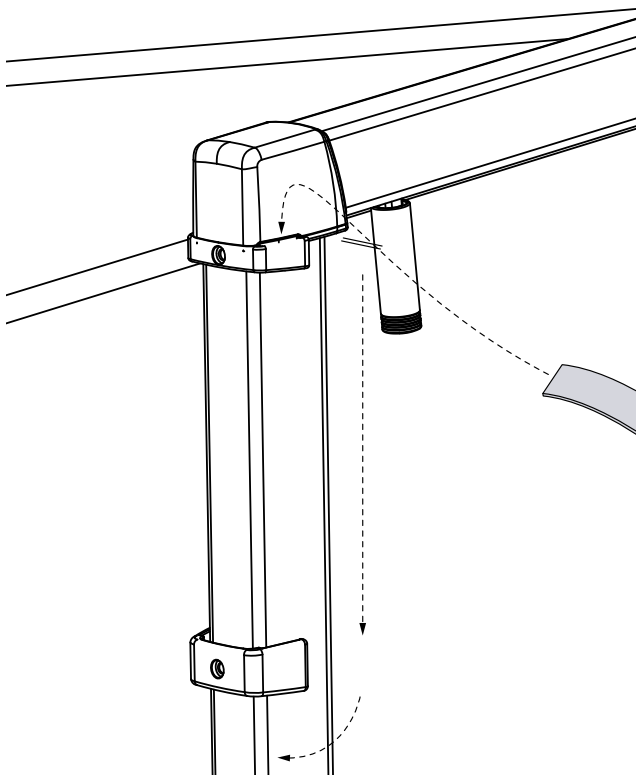
## NANO UX INSTALLATION



7



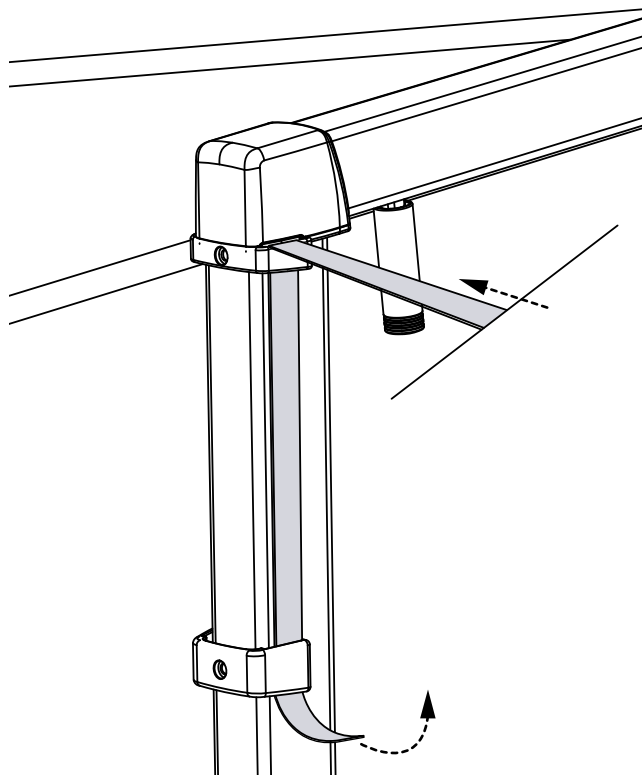
8



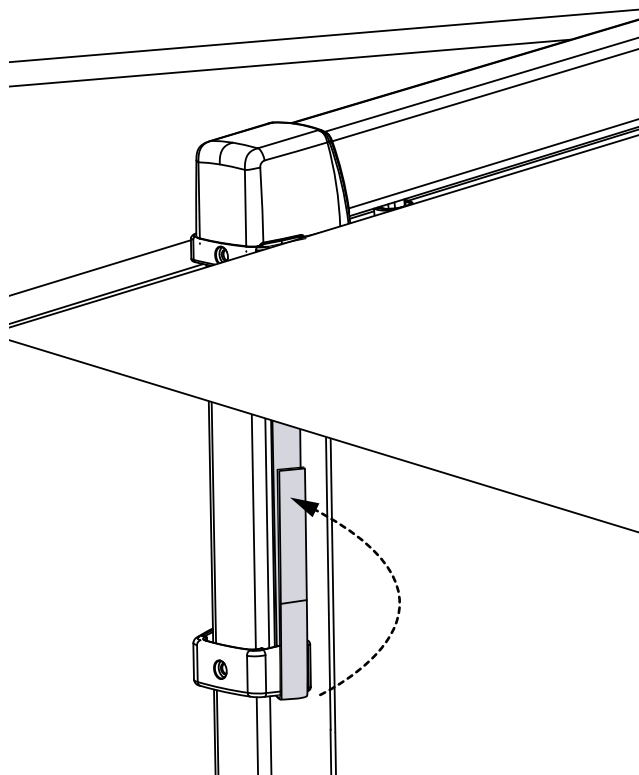




9



10

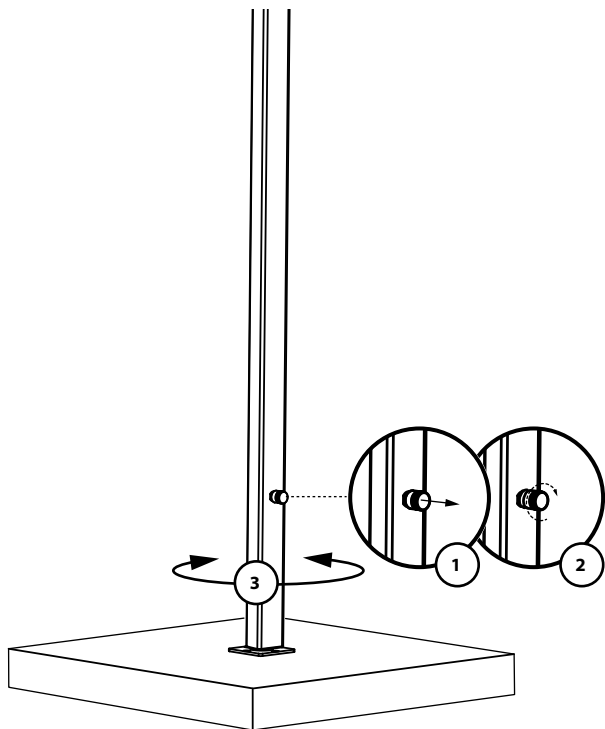


# USER INSTRUCTIONS

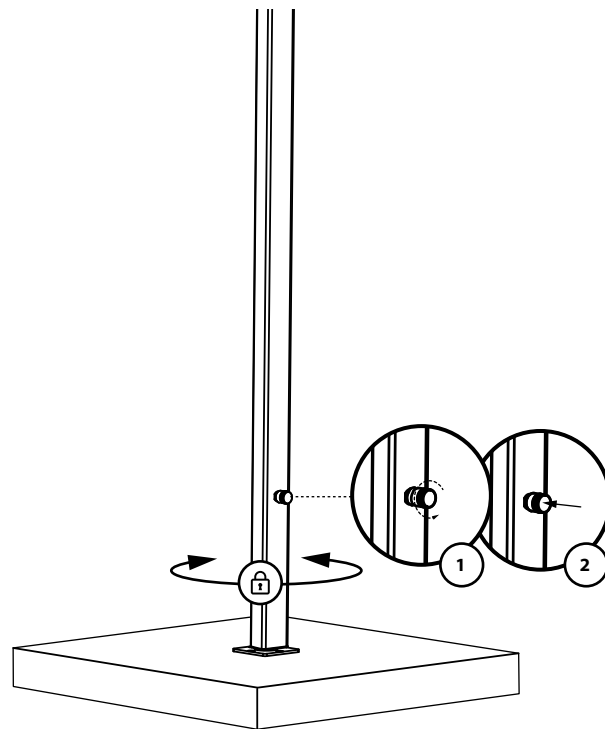
## ROTATE POLE



1



2

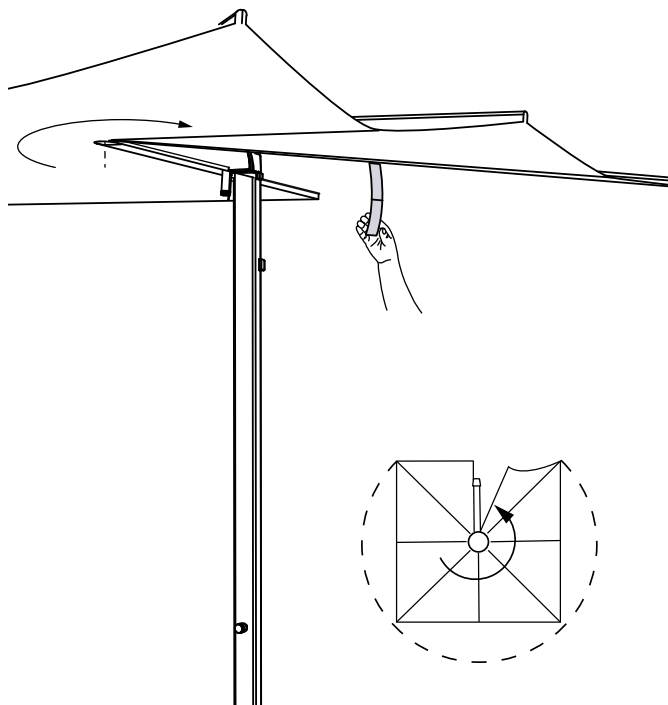


**CAUTION:** Do not use rotating function during winds. Doing so may cause damage to your umbrella.

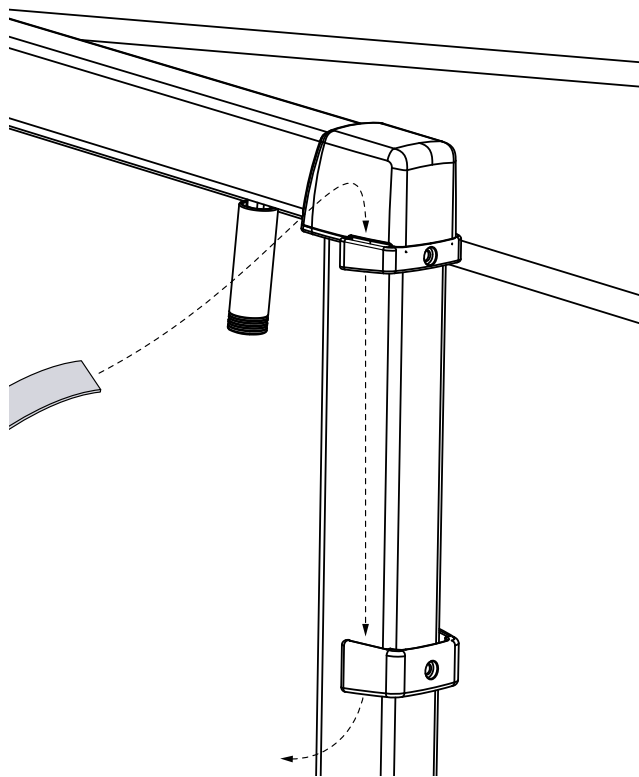
## OPEN AND CLOSE CANOPY



1



2

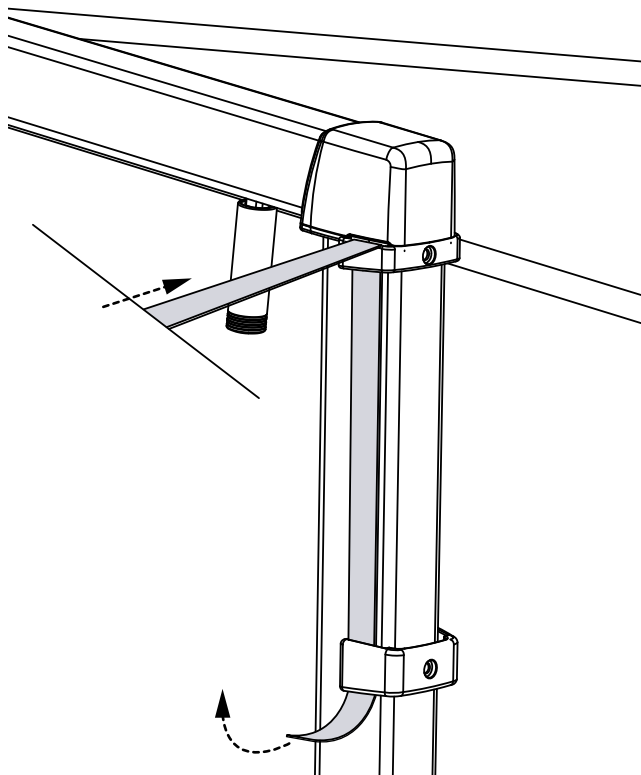


**CAUTION:** Never force the ribs.  
If you experience any resistance, make sure all ribs are freed manually to facilitate opening.

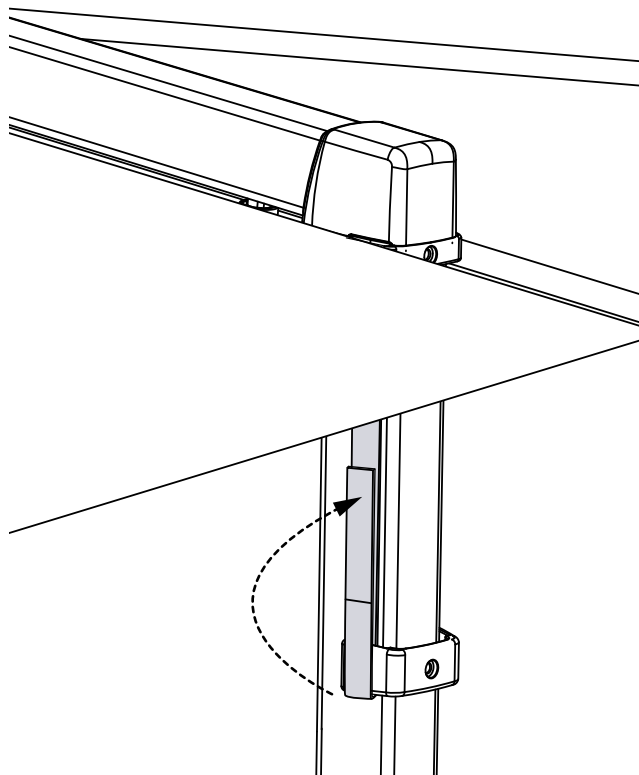
## OPEN AND CLOSE CANOPY



3



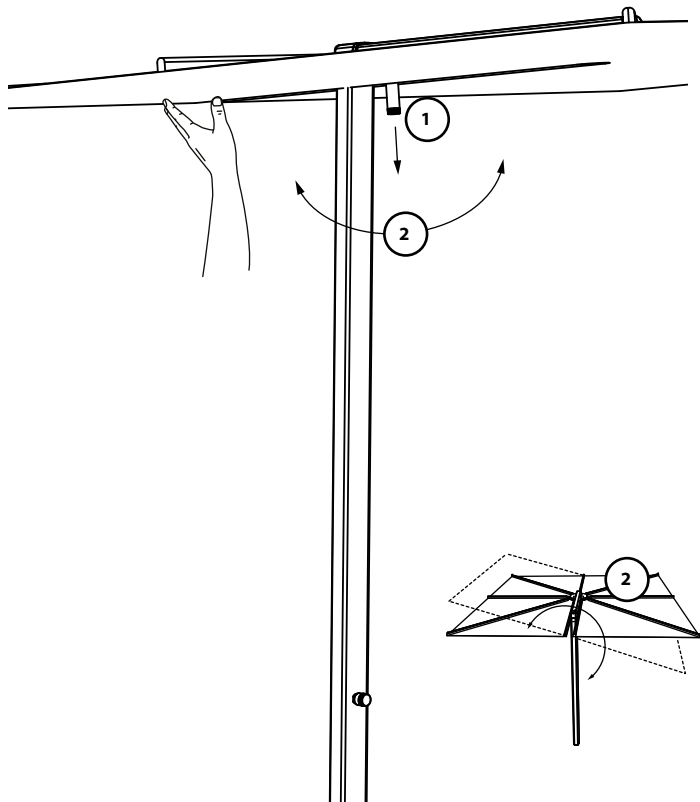
4



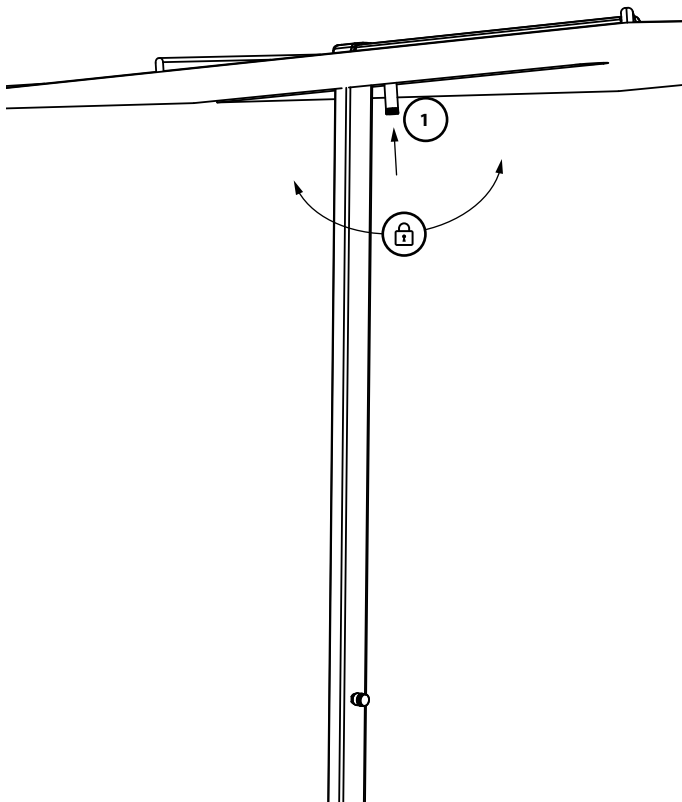
## TILT CANOPY



1



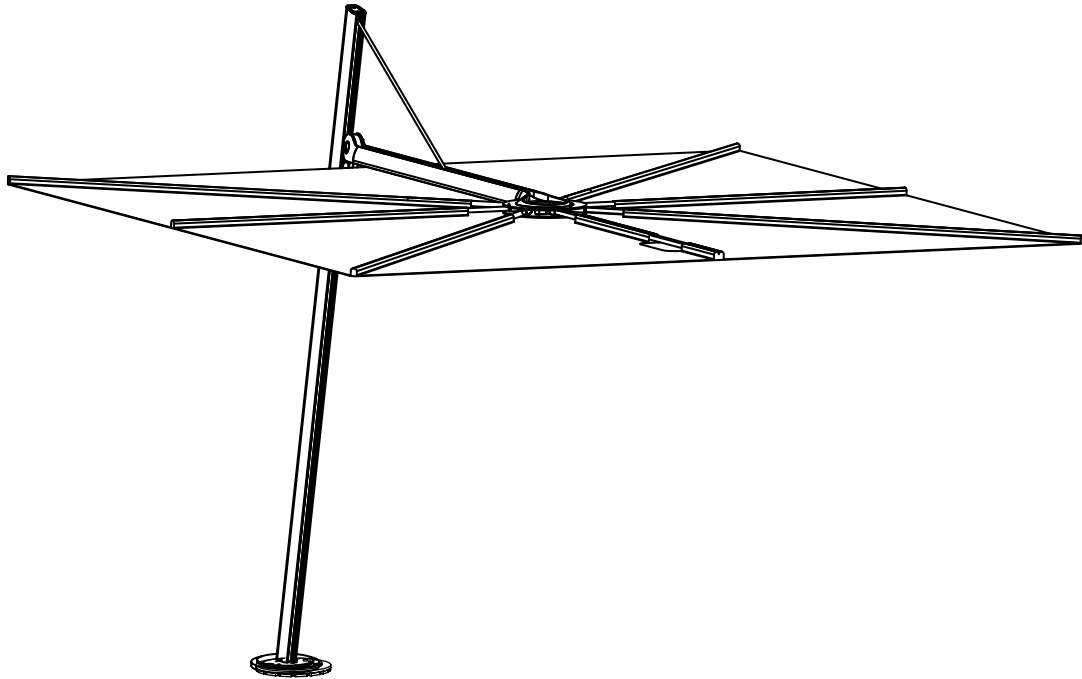
2



**CAUTION:** Do not use tilt function during winds.  
Doing so may cause damage to your umbrella. Canopy can only be closed safely when it is not tilted.

# ARHAUS®

Spectra Outdoor Umbrella



## SAFETY STATEMENTS & WARNINGS

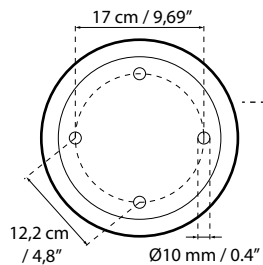


- Product is suitable for light wind and/or light rain only.
- Position product in direction of wind as recommended in user manual.
- Do not use product in inclement weather, such as strong wind, thunderstorms, heavy rain or snow, and make sure that the umbrella is closed and stored in advance.
- Never allow the umbrella to flap in the wind. This could cause personal injury, damage to personal property, damage to umbrella and/or umbrella canopy.
- Close product and secure strap when not in use.
- Do not use product without its base or unless attached to building structure, and keep umbrella secured to umbrella base or mount at all times.
- Do not use product over or near harsh chemicals or open flames.
- Place product on stable and level surface.
- Do not allow children to assemble or operate product.
- Do not leave product unattended.
- Store product indoors during winter and extreme weather conditions.
- When adjusting or assembling the umbrella or umbrella base, make sure fingers, toes or any other parts of the body are clear from moving parts. Failing to do so may result in serious injury.
- Read owner's manual.
- Any modifications to the product or failure to follow recommended care will void the warranty.
- Wind damage is not covered under our limited warranty.

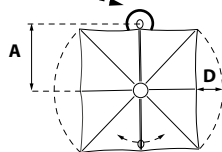
### DISCLAIMER:

All mounting kits and supports for inground fitting and installation on hard surfaces should only be installed by a licensed contractor duly qualified to perform the installation.

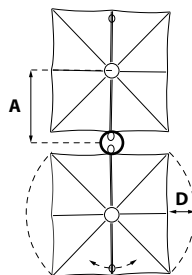
## INSTALLATION DIMENSIONS



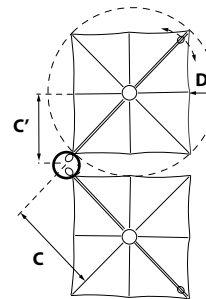
**SPECTRA STRAIGHT**



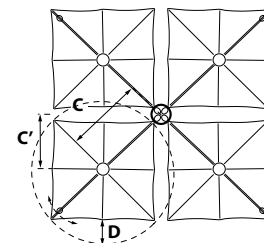
**SPECTRA OPPOSITE**



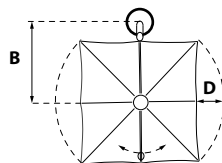
**SPECTRA DUO**



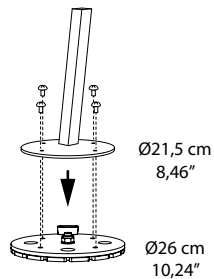
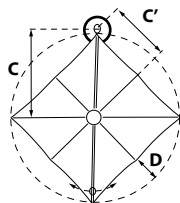
**SPECTRA MULTI**



**SPECTRA FORWARD**



**SPECTRA DIAMOND**

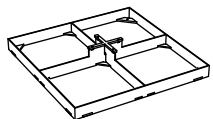
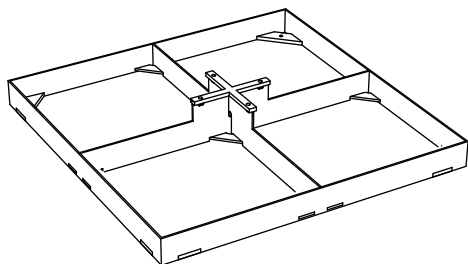


	A	B	C	C'	D
<b>SPECTRA 250</b>	155 cm / 5.1'	190 cm / 6.2'	190 cm / 6.2'	140 cm / 4.6'	52 cm / 1.7'
<b>SPECTRA 300</b>	175 cm / 5.7'	210 cm / 6.9'	-	-	62 cm / 2.1'



# TILE BASE INSTALLATION

UMFIXTILMOBG0000



**UMFIXTILMOBG0000**



**MABOLI0490**

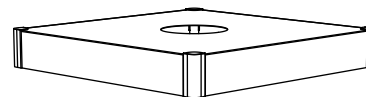
4x



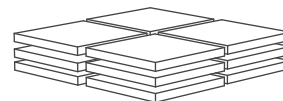
**MACOMU020B**

4x

# OPTIONS



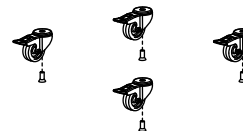
**UMFIXTOPMOBA0000**



**UMFIXTILES120000**



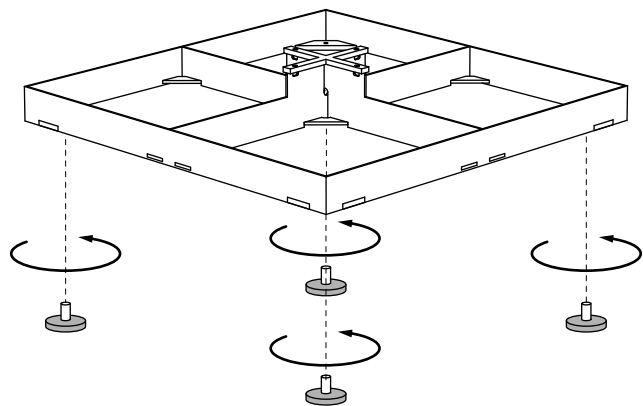
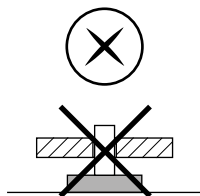
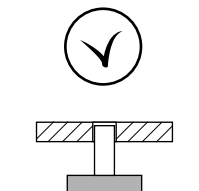
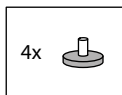
**UMBASM80FL017EXT**



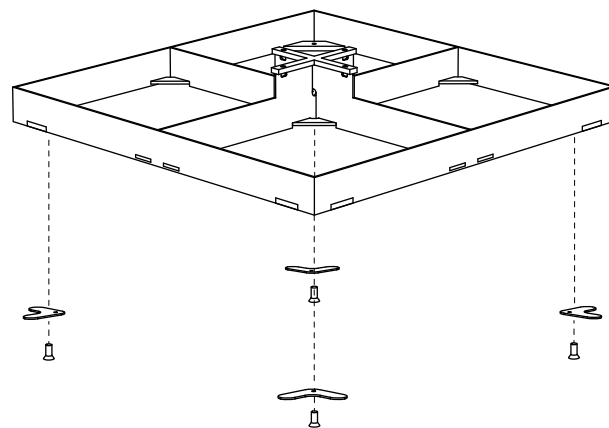
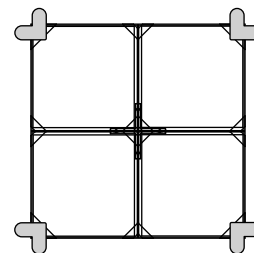
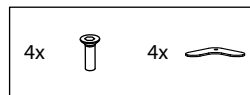
**UMBASEWHEELH00**

## TILE BASE INSTALLATION

1



1'

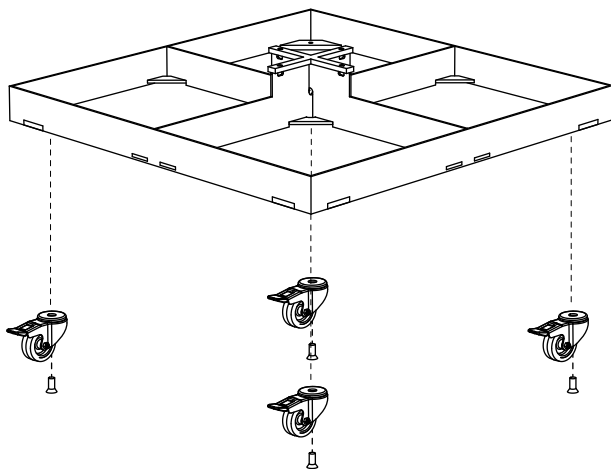
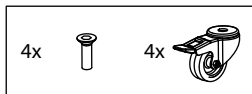


OR OPTION : UMBASM80FL017EXT

## TILE BASE INSTALLATION

OR OPTION : UMBASEWHEELH00

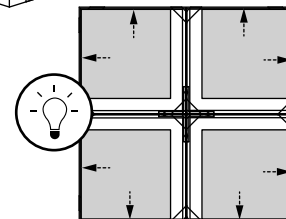
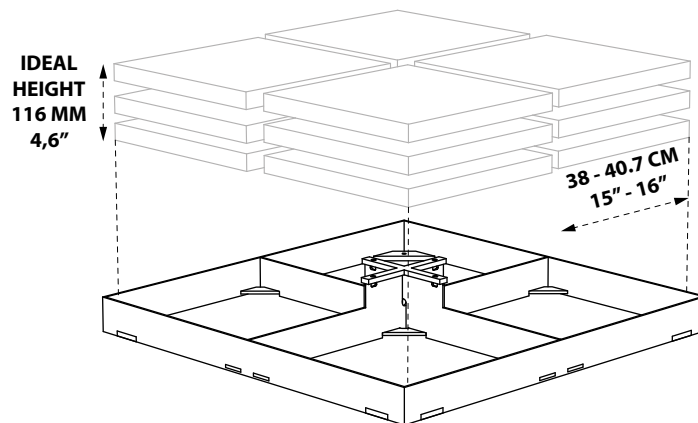
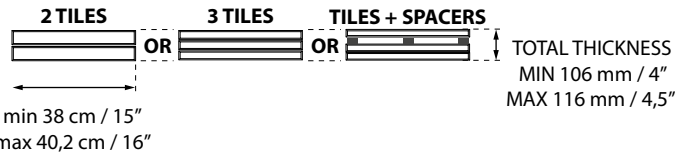
1"



UMFIXTILES120000

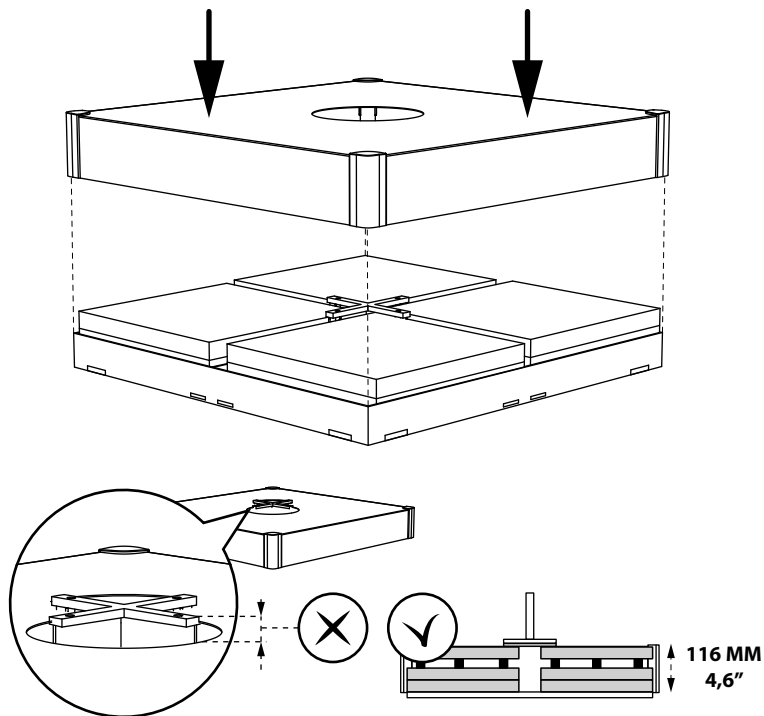


2 Concrete, ceramic or stone tiles:

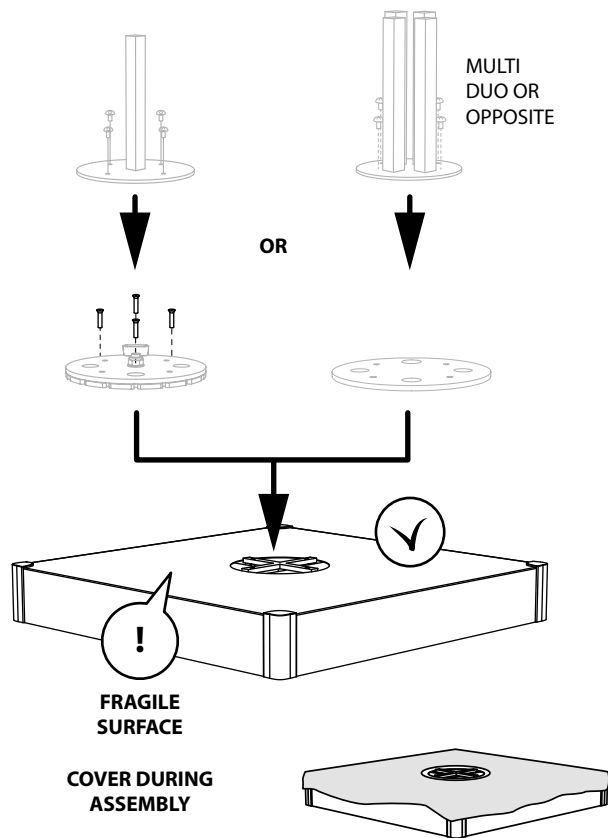


## TILE BASE INSTALLATION

3



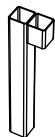
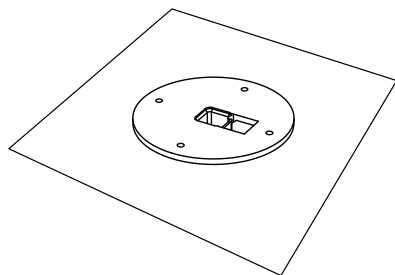
4



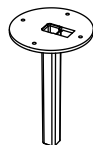
# CONCRETE ANCHOR INSTALLATION



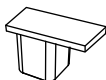
1



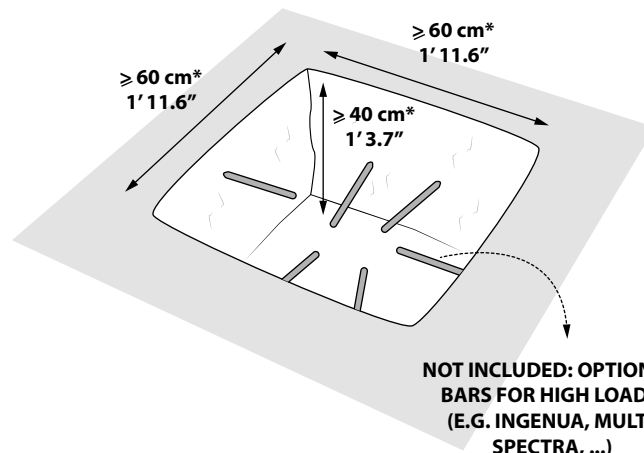
HITUBG0000



MAFIXCROTG000000



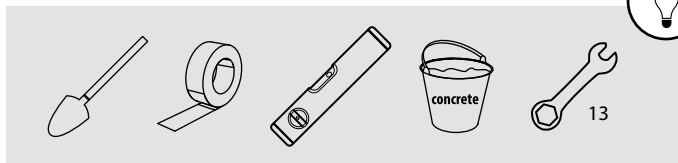
MAPLAI0320



**NOT INCLUDED: OPTIONAL  
BARS FOR HIGH LOADS  
(E.G. INGENUA, MULTI  
SPECTRA, ...)**



ENG Dimensions are indicative. Final responsibility always lies with the installer.

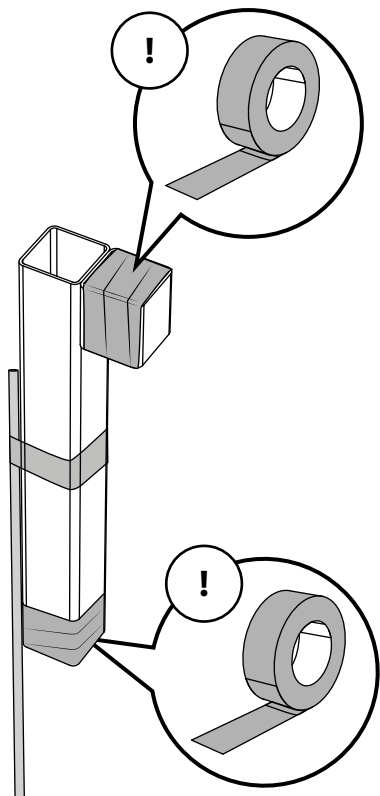


13

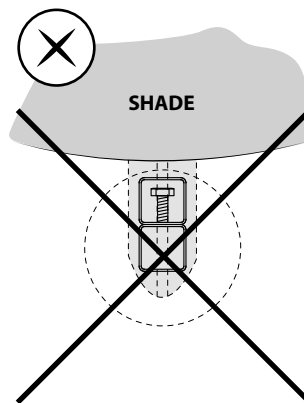
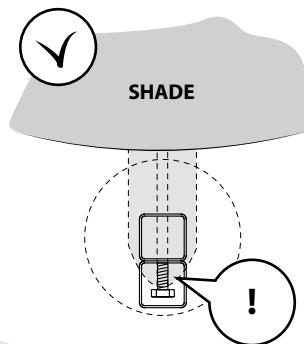
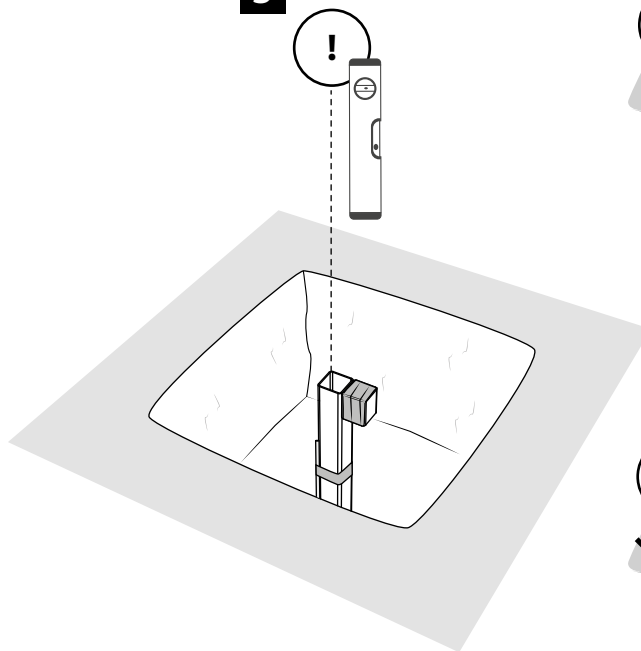
## CONCRETE ANCHOR INSTALLATION



2



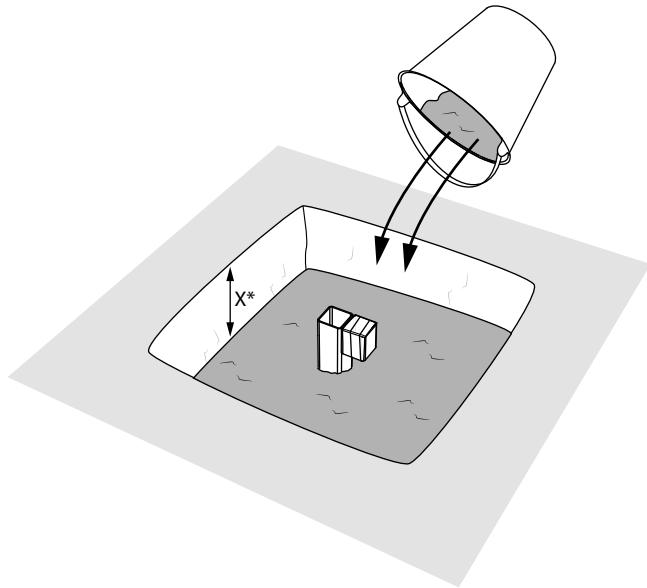
3



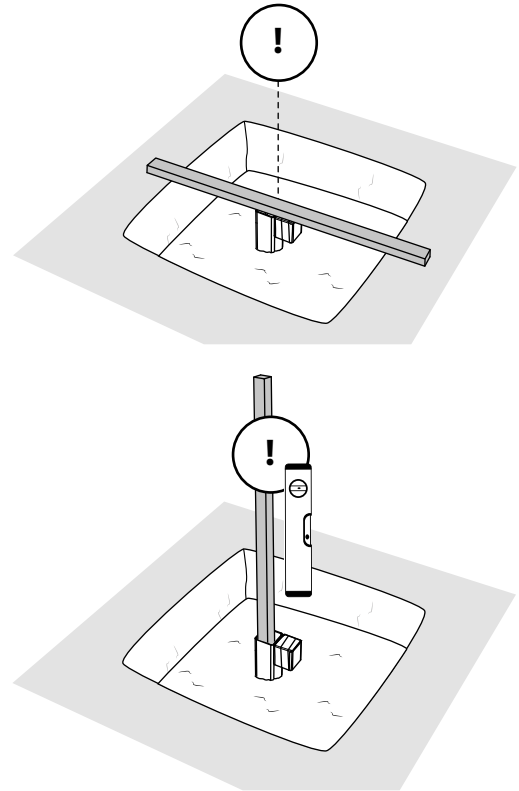
# CONCRETE ANCHOR INSTALLATION






4



5

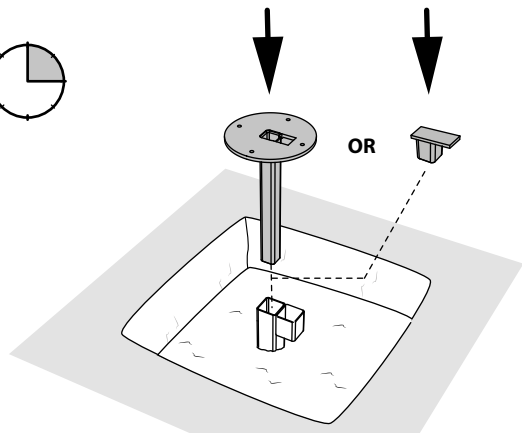


	 GRASS	 GRAVEL	H  TILES
↑ X* ↓	10 cm 3.9"	4 cm 1.6"	= H

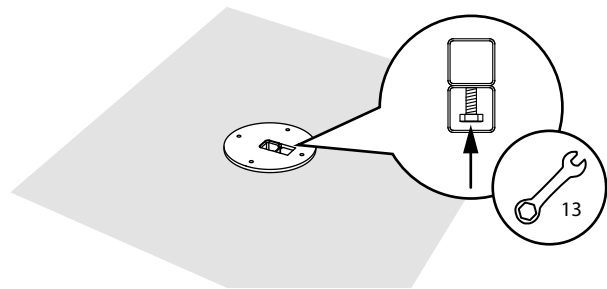
# CONCRETE ANCHOR INSTALLATION



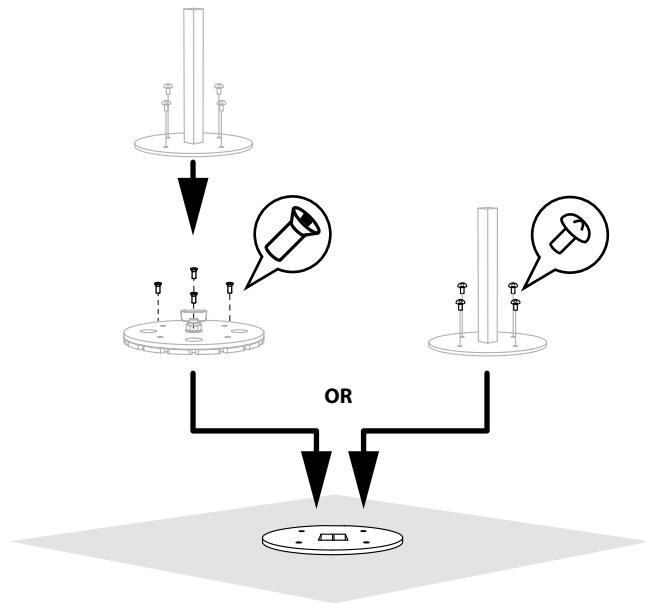
6



7



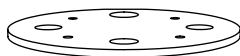
8



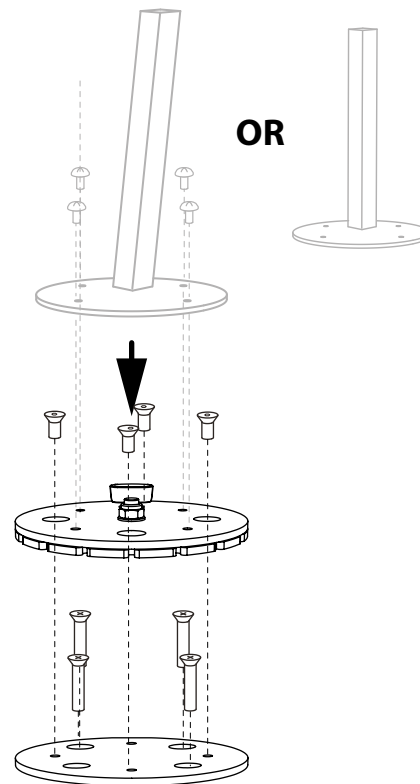
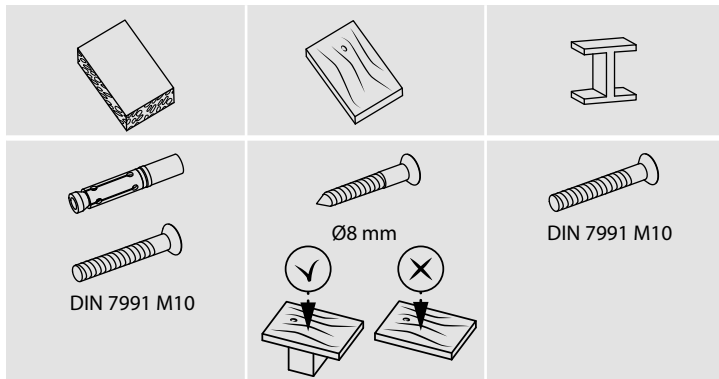


# BASEPLATE INSTALLATION

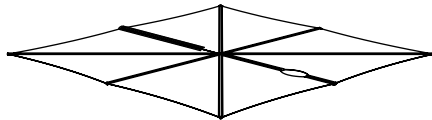
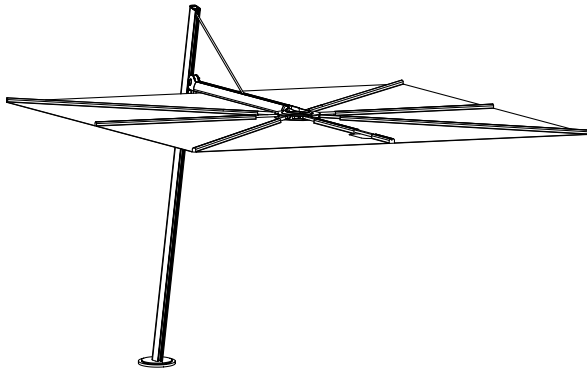
INFIXBSLOB000000



Not included - Niet inbegrepen - Pas inclus  
Nicht inbegriffen - No incluido - Non incluso



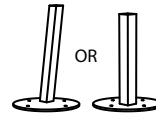
# SPECTRA FORWARD/STRAIGHT/DIAMOND INSTALLATION



SPCOV\*\*\*\*\*

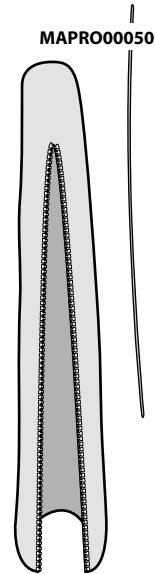


UMFIXSROT00000RO



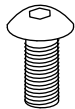
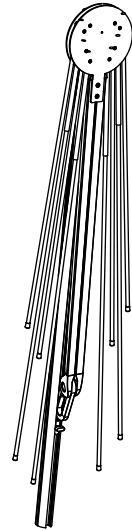
OR

UMFIXS215G8000RO /  
UMFIXS215G9000RO

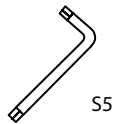


MAPRO00050

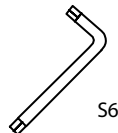
SPPRO0270CGREY00



MABOLI0471  
4x



S5  
MAKEY00050



S6  
MAKEY00060

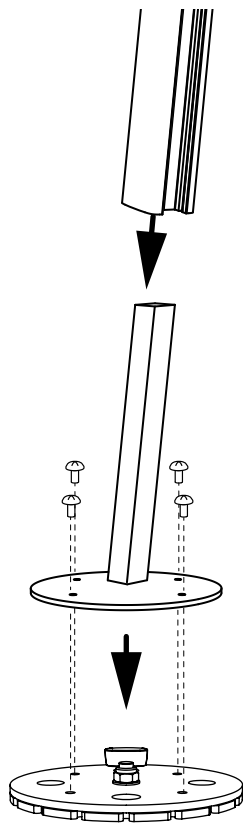


UMSTRAP000000090

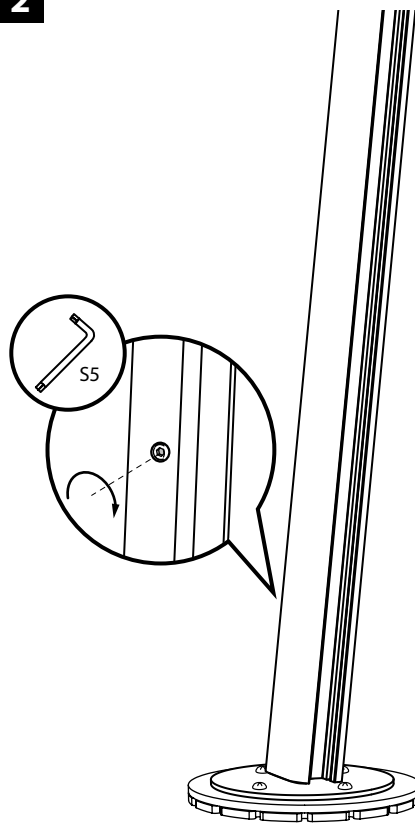
# SPECTRA FORWARD/STRAIGHT/DIAMOND INSTALLATION



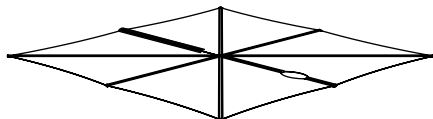
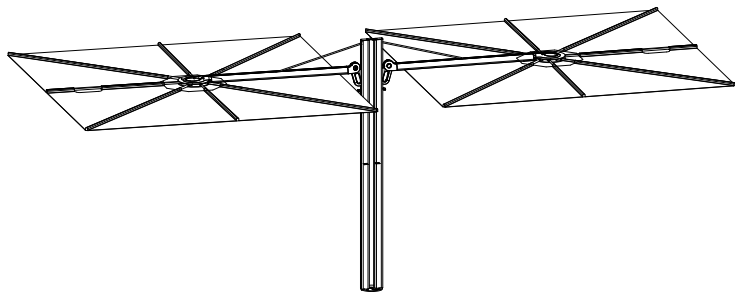
1



2



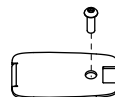
# SPECTRA OPPOSITE INSTALLATION



**SPCOV\*\*\*\*\***  
2x

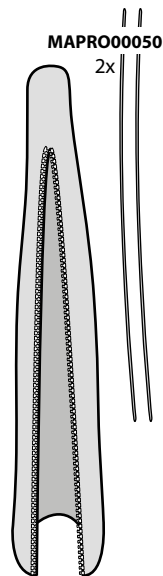


**MAPLAI0013**



**MAPLAI0010**  
2x

**UMBROSSPRAY000PL**



**SPPROM270CGREY00**



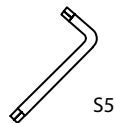
2x



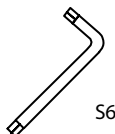
**UMSTRAP000000090**  
2x



**MAKEY00040**



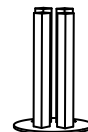
**MAKEY00050**



**MAKEY00060**



**MAPRO00050**  
4x

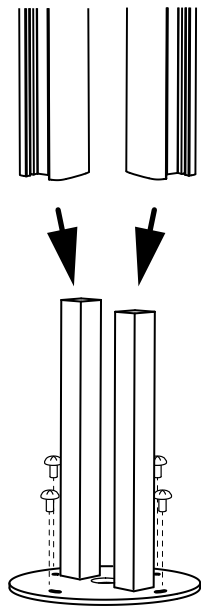


**SPFIXS215G90X20P**

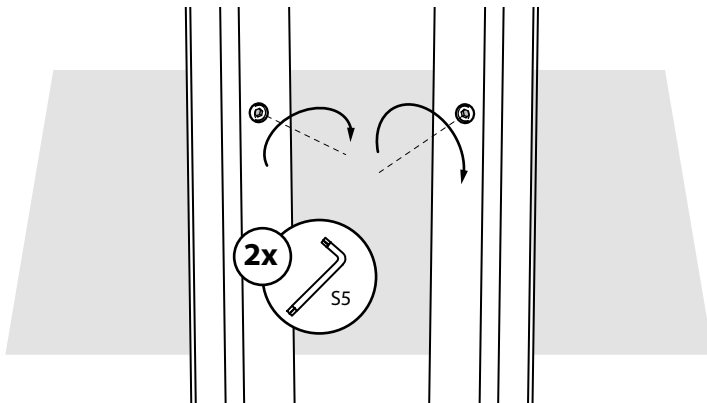
# SPECTRA OPPOSITE INSTALLATION



1

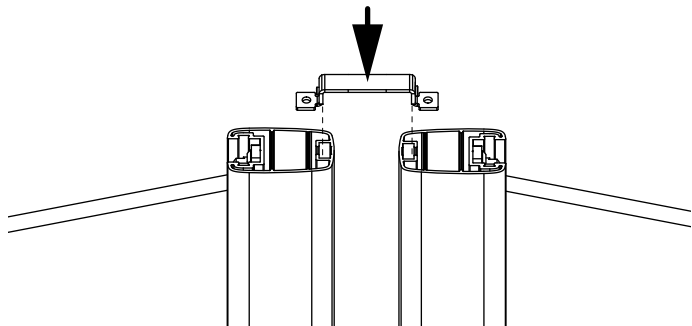


2

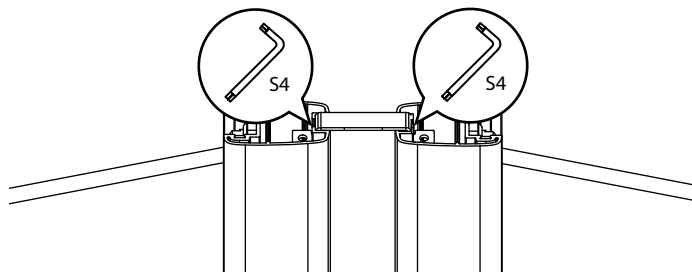


## SPECTRA OPPOSITE INSTALLATION

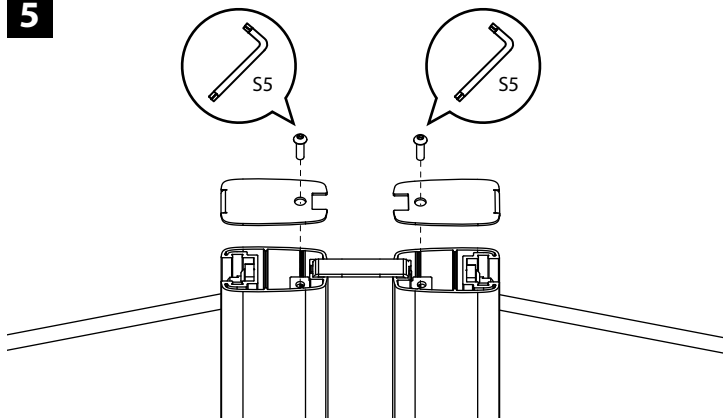
3



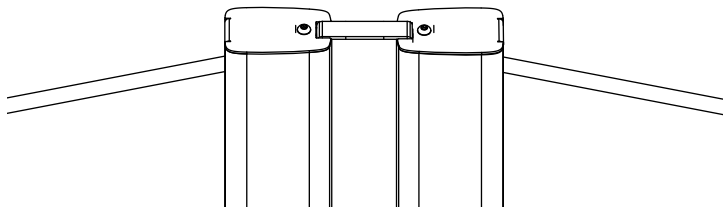
4



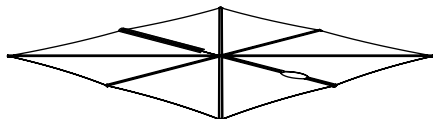
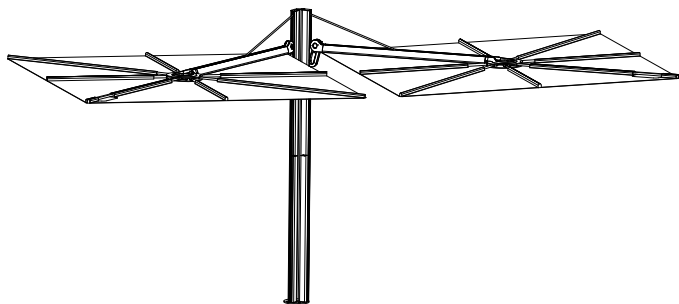
5



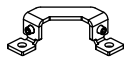
6



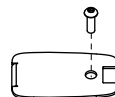
# SPECTRA DUO INSTALLATION



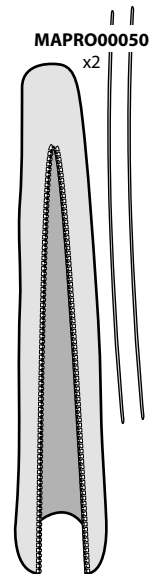
**SPCOV\*\*\*\*\***  
2x



**MAPLAI0011**



**MAPLAI0010**  
2x



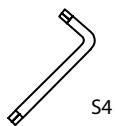
**SPPROD270CGREY00**



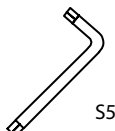
2x



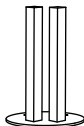
**UMSTRAP000000090**  
2x



**MAKEY00040**



**MAKEY00050**

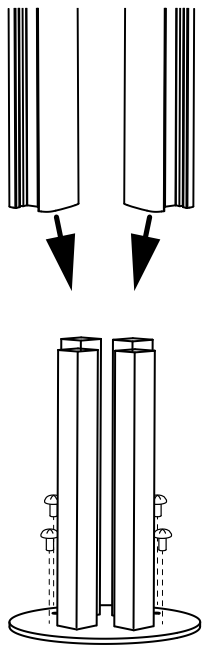


**SPFIXS215G90X2R0**

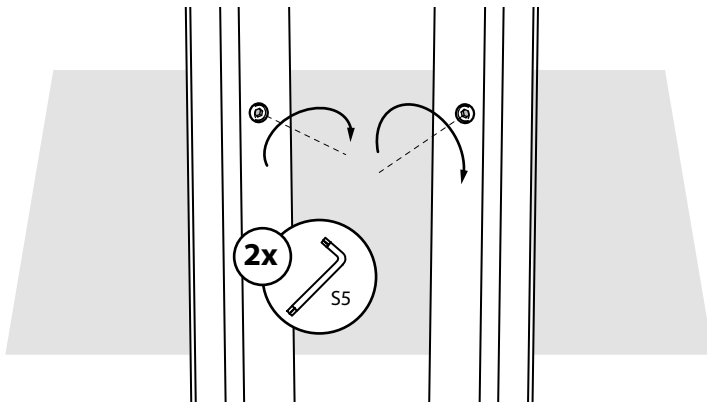
# SPECTRA DUO INSTALLATION



1

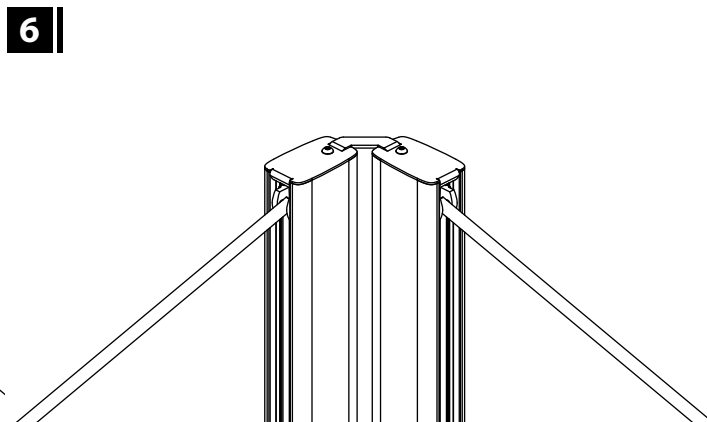
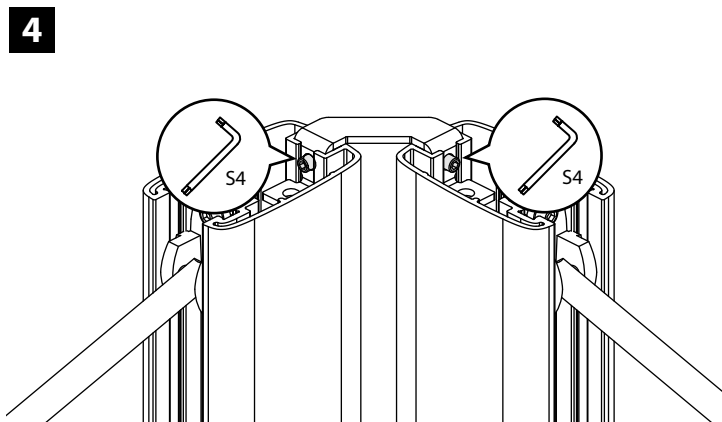
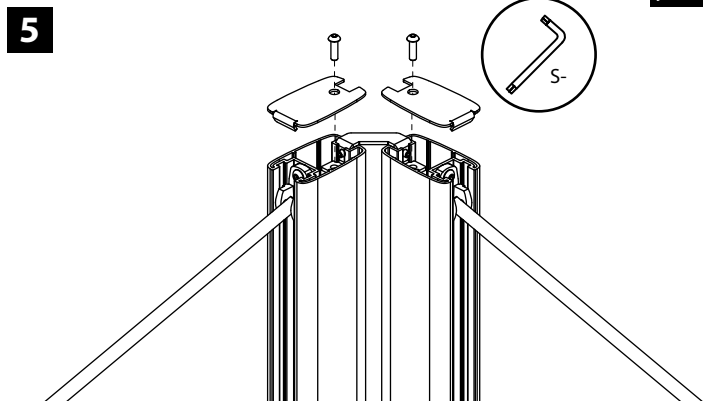
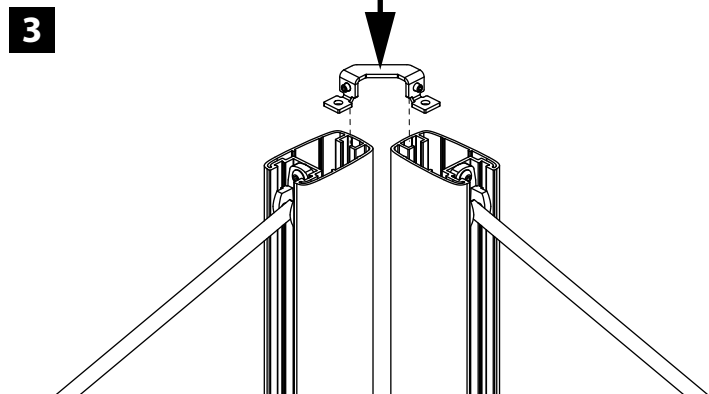


2

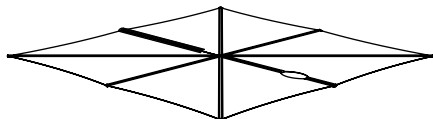
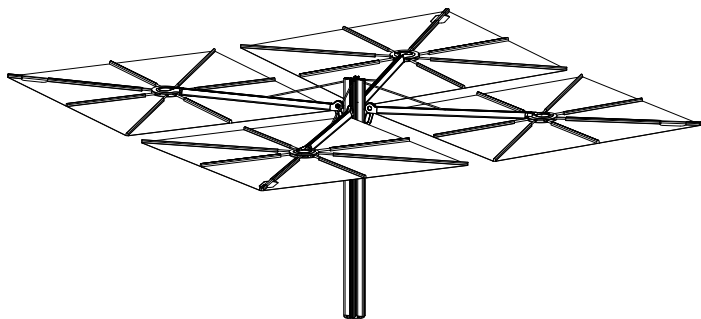




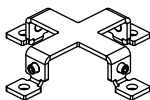
# SPECTRA DUO INSTALLATION



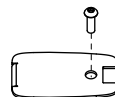
# SPECTRA MULTI INSTALLATION



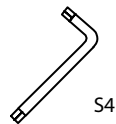
**SPCOV\*\*\*\*\***  
4x



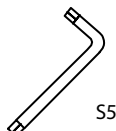
**MAPLAI0012**



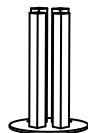
**MAPLAI0010**  
4x



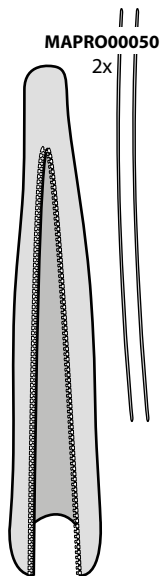
**MAKEY00040**



**MAKEY00050**



**SPFIXS215G90X4RO**



**MAPRO00050**

2x



4x

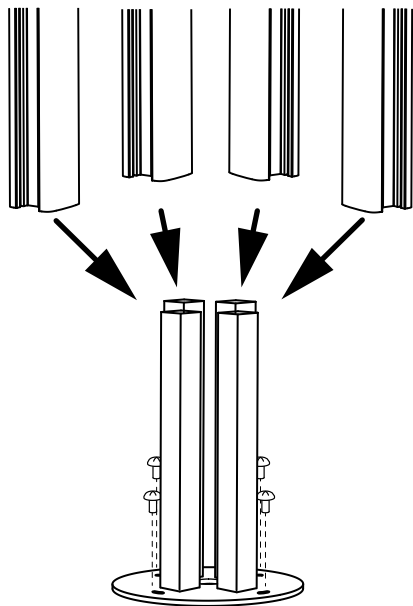


**UMSTRAP000000090**  
4x

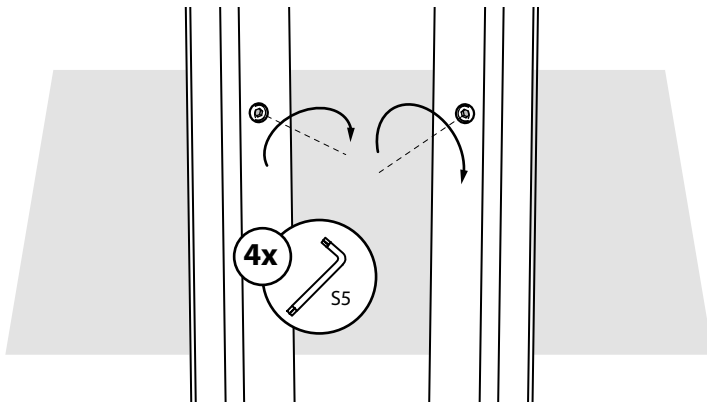
# SPECTRA MULTI INSTALLATION



**1**



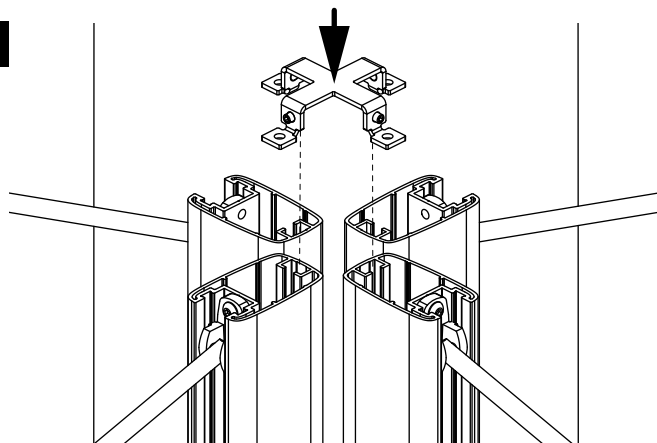
**2**



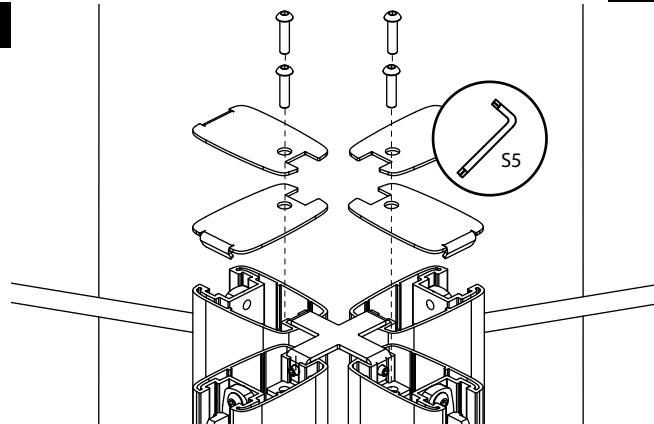
# SPECTRA MULTI INSTALLATION



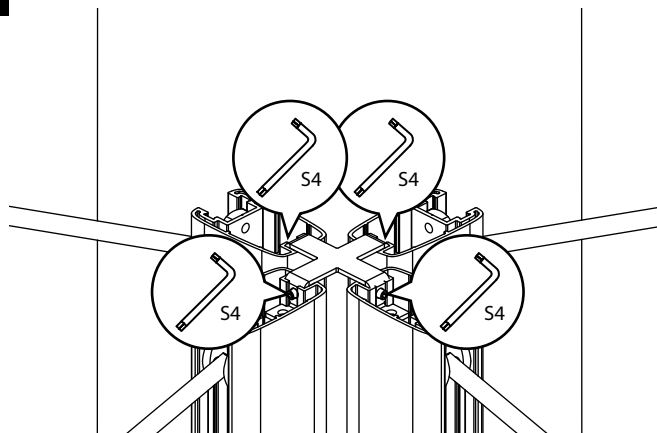
3



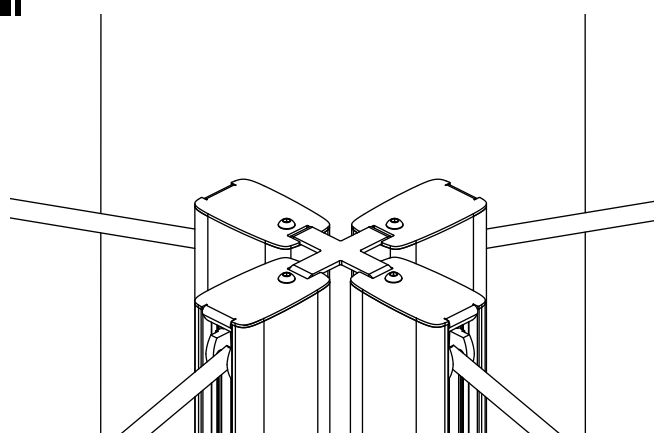
5



4



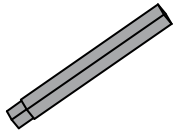
6



# SPECTRA HEIGHT ADJUSTMENT KIT



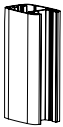
1



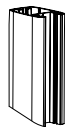
**EXTENSION  
FOR SUPPORT**



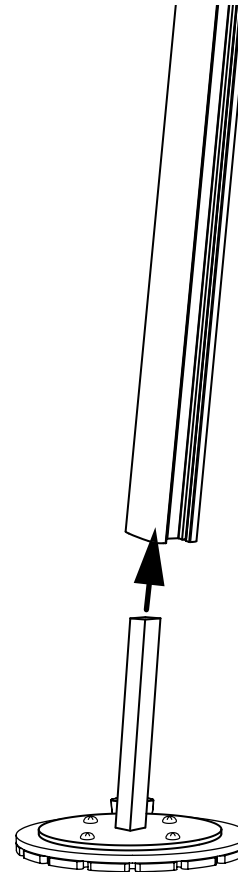
**FILLER PIECE**



**EXTENSION FOR  
SPECTRA STRAIGHT**



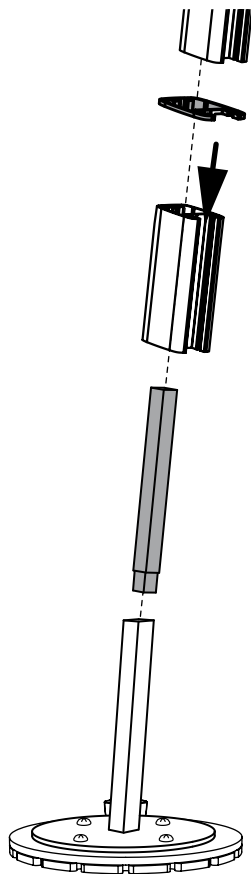
**EXTENSION FOR  
SPECTRA FORWARD**



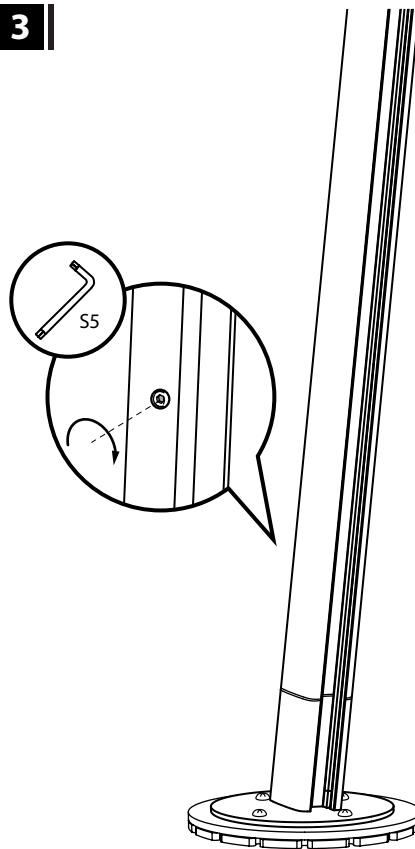
## SPECTRA HEIGHT ADJUSTMENT KIT



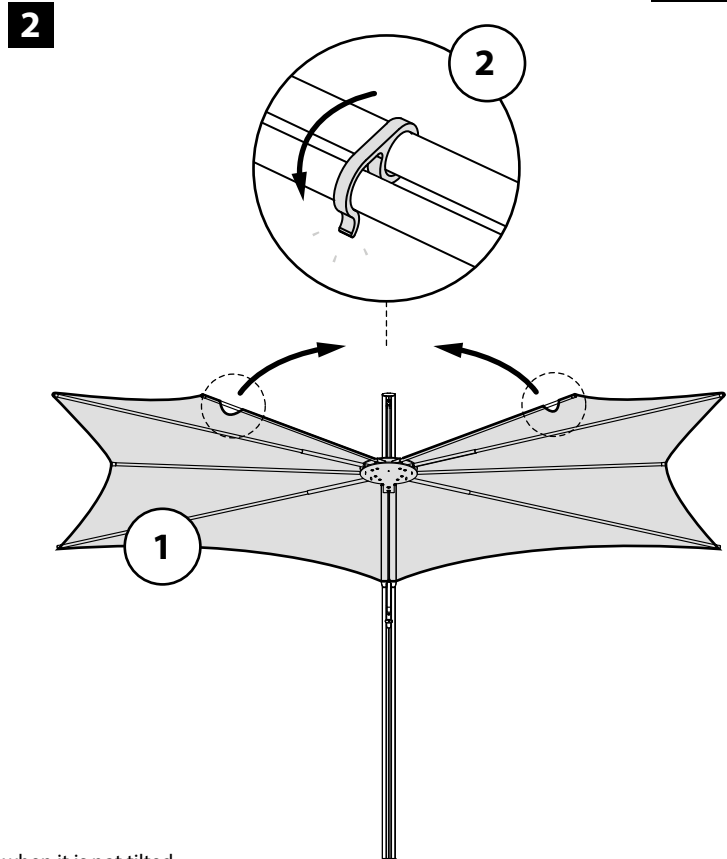
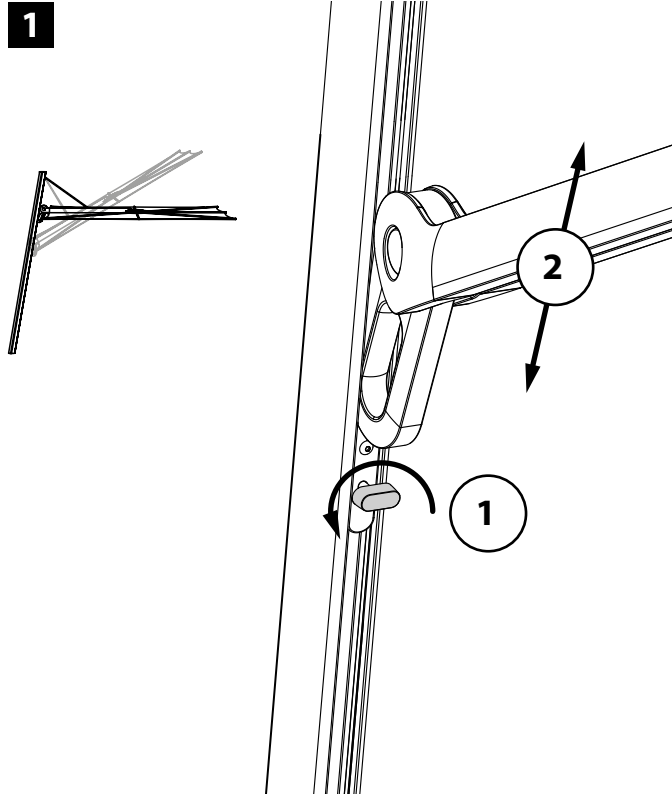
2



3



# SPECTRA USER INSTRUCTIONS

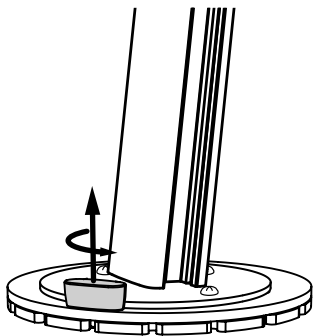


**CAUTION:** Do not use tilt function during winds.  
Doing so may cause damage to your umbrella. Canopy can only be closed safely when it is not tilted.

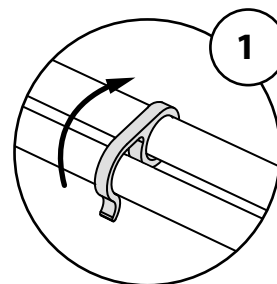
**CAUTION:** Never force the ribs.  
If you experience any resistance, make sure all ribs are freed manually to facilitate opening.



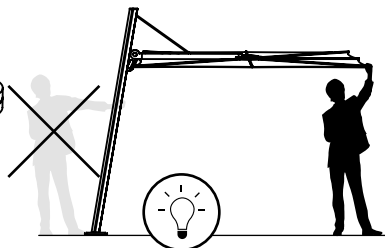
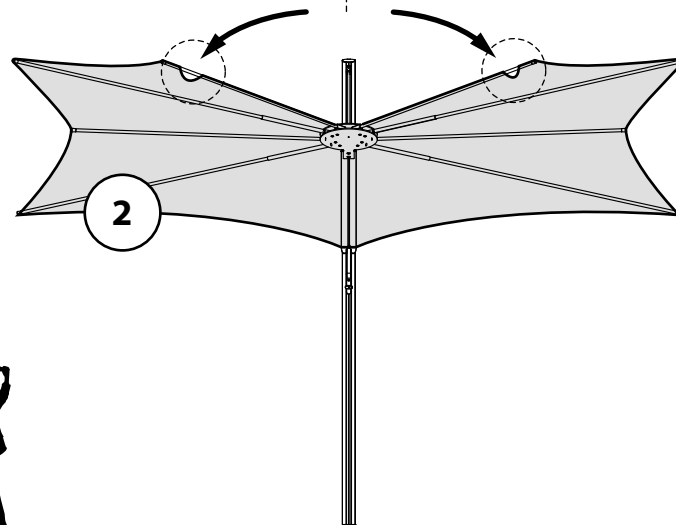
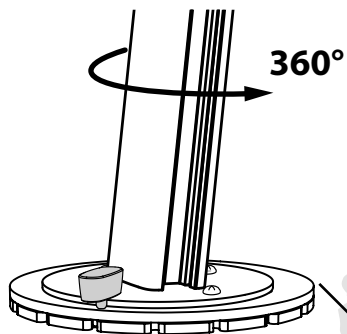
3



5



4

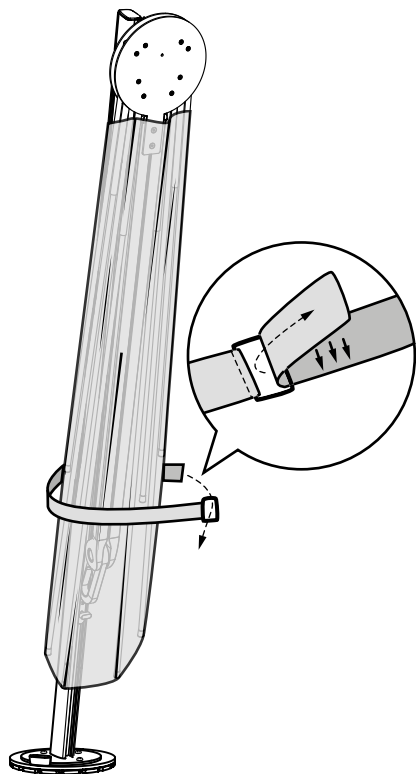


**CAUTION:** Do not use rotating function during winds. Doing so may cause damage to your umbrella.

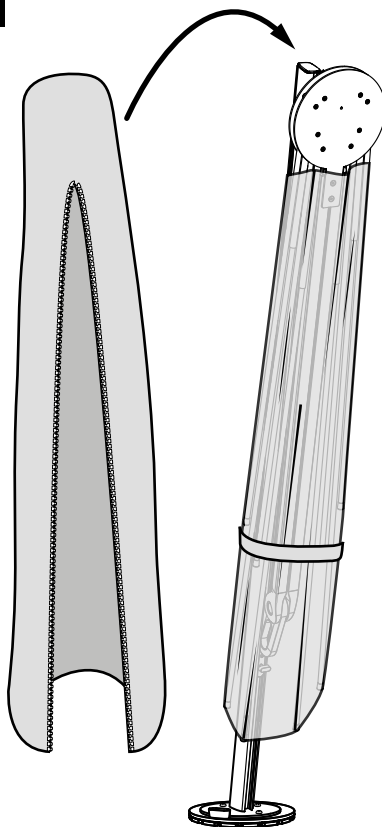




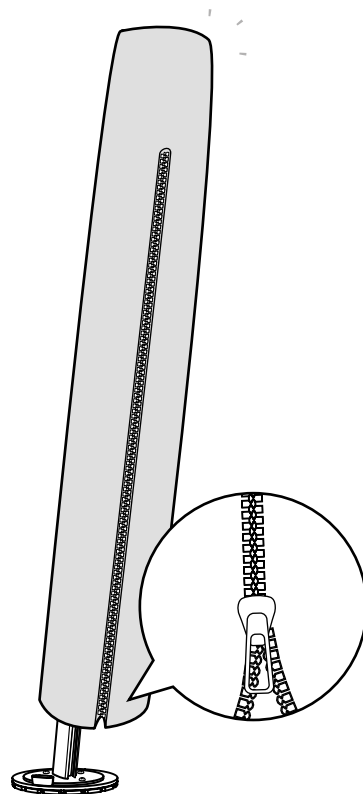
6



7



8



# OUTDOOR PARTS SKUS

CATEGORY	SKU	DESCRIPTION	STATUS	COLLECTION	ROUTE
OUTDOOR	91CANTUMCRD	10"X13 CANT UMB CRANK CORD ALL FINISHES / 13 SQ11 SQ10 RT	A	PT-UMBRELL	PART
OUTDOOR	91BASELIDBLK	10"X13 UMBRELLA BLK BS LID - 1	A	PT-UMBRELL	PART

# ARHAUS®

your home

# WYATT

CAPE OUTDOOR COLLECTION

FRAMES MADE IN CHINA; CUSHIONS

MADE IN MEXICO OF AMERICAN-MADE FABRIC

shown in  
InsideOut Starboard Snow/  
Dark Charcoal



## ENTERTAINING AT ITS FINEST

Featuring a classic yet rustic look, the Wyatt Outdoor Collection includes a variety of must-have pieces to suit your space and style. Constructed to look beautiful and withstand nature's elements, this collection is meticulously handwoven from premium, all-weather resin wicker around rustproof aluminum frames. Lounge in the sun on Wyatt's incredibly relaxing and supportive cushions, padded with supportive, dense, antimicrobial foam covered in InsideOut Performance Fabric®.



### NEED HELP?

Visit a store, call **866.427.4287**, or **live chat**  
with our Design Team to learn more.

# ARHAUS®

your home

# WYATT

CAPE OUTDOOR COLLECTION

FRAMES MADE IN CHINA; CUSHIONS

MADE IN MEXICO OF AMERICAN-MADE FABRIC

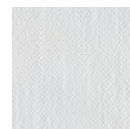
shown in  
InsideOut Starboard Snow/  
Dry Bark



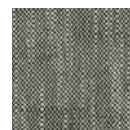
## PRODUCT DETAILS

- + Our handwoven all-weather resin wicker is specially formulated and hand-finished by artisans to resemble authentic rattan. This one-of-a-kind formula is created exclusively for Arhaus to be as beautiful as it is durable, and is highly resistant to mildew, fading, sagging, staining, tearing, and cracking.
- + Finished all-weather resin wicker features varying high and low tones that mimic the appearance of natural materials. Dry-brushing creates organic textures and adds depth to woven surfaces.
- + All-weather resin wicker is supported by rustproof aluminum frames, resulting in durable, corrosion-resistant furniture that will last season after season.
- + Outdoor cushions made in Mexico are mold- and mildew resistant; sustained by an outdoor elastic support system for added resiliency.
- + Lofty, zippered outdoor cushions are padded with high-resiliency, antimicrobial foam covered in weather-resistant InsideOut Performance Fabric.
- + InsideOut Performance Fabrics are made from durable polyester and polypropylene fibers, which are bleach-cleanable, fade-resistant, anti-mildew, and eco-friendly.
- + Dense foam padding enables high elasticity, providing ideal support and distributing pressure across cushion surfaces—helping seats bounce back from heavy use.
- + Polyester fibers encase foam cushion cores to provide additional comfort.
- + Cushion fill is completely sealed in water-repellent coverings—featuring serged interior edges to enhance cushion strength and longevity.
- + Replacement cushions can be ordered to complement your Arhaus outdoor furnishings. Order cushions in a different fabric to completely transform the look of your space.
- + Sectional components are held together by connectors to prevent shifting.
- + Wyatt Daybeds include four back pillows.
- + Storage Bench includes a water-repellant cover in the lid to help keep moisture out.
- + Barstools with backs are available with or without cushions. Speak to a design consultant in-store for details or call to order at 866.427.4287.
- + Protect your outdoor furnishings with resilient Sur Last® covers—specifically tailored to fit Arhaus outdoor collections. Speak to a design consultant for details.
- + Keep your furniture looking its best. Visit [arhaus.com](http://arhaus.com) or speak to any Arhaus Design Consultant for care recommendations.

## FABRIC:



InsideOut  
Starboard Snow



InsideOut  
Starboard Mink



InsideOut  
Twilly Grey

## FINISHES:



Dry Bark



Dark Charcoal



Vista Grey

## CRAFT A CUSTOM LOOK

This collection is available in customizable **Fabrics**.

Visit a store, call **866.427.4287**, or **live chat** with our Design Team to learn more.

WYATT LIVING

shown in  
InsideOut Starboard  
Snow/Dry Bark



39.25" SWIVEL LOUNGE CHAIR  
39.25" w x 40" d x 29" h



76" SOFA  
76" w x 40" d x 29" h



88.25" SOFA  
88.25" w x 40" d x 29" h



108.5" SOFA  
108.5" w x 40" d x 29" h



WYATT LIVING CONTINUED



SWIVEL DAYBED

59" w x 56" d x 39" h

*Includes four back pillows.*



DAYBED LOUNGE

63" w x 61" d x 29.75" h

*Includes four back pillows.*



OTTOMAN

32" w x 27" d x 15.75" h



95.5" 2-PIECE SECTIONAL

95.5" w x 65.75" d x 29" h

*Reverse configuration available.*

WYATT LIVING CONTINUED



3-PIECE SECTIONAL

99.5" w x 99.5" d x 29" h



132.5" 4-PIECE SECTIONAL

132.5" w x 99.5" d x 29" h

*Reverse configuration available.*



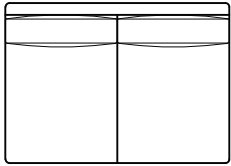
4-PIECE L SECTIONAL

99.5" w x 156" d x 29" h

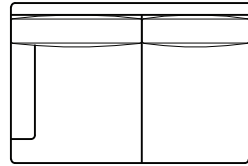
4-PIECE REVERSE L SECTIONAL

156" w x 99.5" d x 29" h

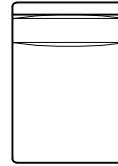
WYATT LIVING CONTINUED



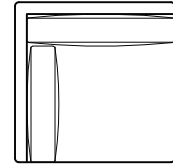
56.5" ARMLESS SOFA  
56.5" w x 40" d x 29" h



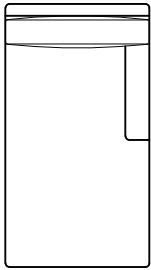
L/R-ARM SOFA  
59.5" w x 40" d x 29" h



ARMLESS CHAIR  
28.5" w x 40" d x 29" h



CORNER  
40" w x 40" d x 29" h



36" L/R-ARM CHAISE  
36" w x 65.75" d x 29" h



# ARHAUS®


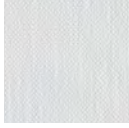
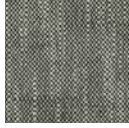

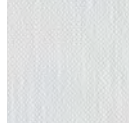
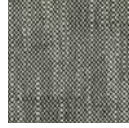

your home

# WYATT

CAPE OUTDOOR COLLECTION

FRAMES MADE IN CHINA; CUSHIONS

MADE IN MEXICO OF AMERICAN-MADE FABRIC


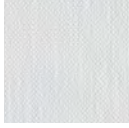
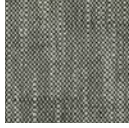

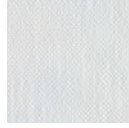
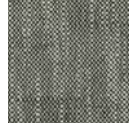

LIVING (DRY BARK)	FRAME SKUS	CUSHION SKUS			KIT SKUS		
	DRY BARK 	STARBOARD SNOW 	STARBOARD MINK 	TWILLY GREY 	STARBOARD SNOW 	STARBOARD MINK 	TWILLY GREY 
39.25" SWIVEL CHAIR	70WYSWCHDB	70WYSWCSN2	70WYSWSMCSN	70WYSWTGCSN	70WSCHDBKT	70WDBMSWCKT	70WDBTSWCKT
76" SOFA	70WYAPTDB	70WYAPCSN2	70WYAPSMCSN	70WYAPTGCSN	70W76SFDBKT	70WDBM7SFKT	70WDBT7SFKT
88.25" SOFA	70WYSFDB	70WYSFCSN2	70WYSFSMCSN	70WYSFTGCSN	70W89SFDBKT	70WDBM8SFKT	70WDBT8SFKT
108.5" SOFA	70WY108SFDB	70WY18SFCSN2	70WY18SFSMCSN	70WY18SFTGCSN	70W108SFDBKT	70WDBM1SFKT	70WDBT1SFKT
59" SWIVEL DAYBED	70WYDYBDDDB	70WYDBCSN2	70WYDBSMCSN	70WYDBTGCSN	70WSDBDBKT	70WDBMSDBKT	70WDBTSDDBKT
63" LOUNGE DAYBED	70WYDAYBDDDB	70WYDYCSN2	70WYDYSMCSN	70WYDYTGCSN	70WLDBDBKT	70WDBMLDBKT	70WDBTLDBKT
32" OTTOMAN	70WYOTDB	70WYOTCSN2	70WYOTSMCSN	70WYOTTGCSN	70WOTDBKT	70WDBMOTKT	70WDBTOTKT
29" ARM LESS CHAIR	70WYALCHDB	70WYACCSN2	70WYACSMCSN	70WYACTGCSN	70WACDBKT	70WDBMALCKT	70WDBTALCKT
56.5" ARM LESS SOFA	70WYALLVDB	70WYALCSN2	70WYALSMCSN	70WYALTGCSN	70WALSDBKT	70WDBMALSFKT	70WDBTALSFKT
40" CORNER CHAIR	70WYCRNDB	70WYCOCSN2	70WYCOSMCSN	70WYCOTGCSN	70WCODBKT	70WDBMCOCKT	70WDBTCKT
36" LEFT ARM CHAISE	70WYLCHSDB	70WYLHCSN3	70WYLHSMCSN	70WYLHTGCSN	70WLACHSDBKT	70WDBMLCHSKT	70WDBTLCHSKT
36" RIGHT ARM CHAISE	70WYRCHSDB	70WYLHCSN3	70WYLHSMCSN	70WYLHTGCSN	70WRACHSDBKT	70WDBMRCHSKT	70WDBTRCHSKT
60" LEFT ARM SOFA	70WYLLVDB	70WYLPCS2	70WYLPSMCSN	70WYLPTGCSN	70WLASDBKT	70WDBMLSFKT	70WDBTLSFKT
60" RIGHT ARM SOFA	70WYRLVDB	70WYLPCS2	70WYLPSMCSN	70WYLPTGCSN	70WRASDBKT	70WDBMRSFKT	70WDBTRSFKT
95.5" 2- PIECE SECTIONAL					70WYDB2PC	70WDBM2PC	70WDBT2PC
95.5" 2- PIECE REVERSE SECTIONAL					70WYDBR2PC2	70WDBMR2PC	70WDBTR2PC
99.5" 3- PIECE SECTIONAL					70WYDB3PC2	70WDBM3PC	70WDBT3PC
132.5" 4- PIECE SECTIONAL					70WYDB4PC2	70WDBM4PC	70WDBT4PC
132.5" 4- PIECE REVERSE SECTIONAL					70WYDBR4PC	70WDBMR4PC	70WDBTR4PC
99.5" 4- PIECE L SECTIONAL					70WYDB4PCL	70WDBML4PC	70WDBTL4PC
156" 4- PIECE REVERSE L SECTIONAL					70WYDB4PCRL	70WDBMLR4PC	70WDBTLR4PC

# ARHAUS®

your home

# WYATT

CAPE OUTDOOR COLLECTION  
 FRAMES MADE IN CHINA; CUSHIONS  
 MADE IN MEXICO OF AMERICAN-MADE FABRIC

LIVING (DARK CHARCOAL)	FRAME SKUS	CUSHION SKUS			KIT SKUS		
	DARK CHARCOAL 	STARBOARD SNOW 	STARBOARD MINK 	TWILLY GREY 	STARBOARD SNOW 	STARBOARD MINK 	TWILLY GREY 
39.25" SWIVEL CHAIR	70WYSWCHDC	70WYSWCSN2	70WYSWSMCSN	70WYSWTGCSN	70WSCHDCKT	70WDCMSWCKT	70WDCTSWCKT
76" SOFA	70WYAPTDC	70WYAPCSN2	70WYAPSMCSN	70WYAPTGCSN	70W76SFDCKT	70WDCM7SFKT	70WDCT7SFKT
88.25" SOFA	70WYSFDC	70WYSFCSN2	70WYSFSMCSN	70WYSFTGCSN	70W89SFDCKT	70WDCM8SFKT	70WDCT8SFKT
108.5" SOFA	70WY108SFD	70WY18SFCNS2	70WY18SFSMCSN	70WY18SFTGCSN	70W108SFDCKT	70WDCM1SFKT	70WDCT1SFKT
59" SWIVEL DAYBED	70WYDYBDDC	70WYDBCSN2	70WYDBSMCSN	70WYDBTGCSN	70WSDBDCKT	70WDCMSDBKT	70WDCTSDDBKT
63" LOUNGE DAYBED	70WYDAYBDDC	70WYDYCSN2	70WYDYSMCSN	70WYDYTGCSN	70WLDBDCKT	70WDCMLDBKT	70WDCTLDBKT
32" OTTOMAN	70WYOTDC	70WYOTCSN2	70WYOTSMCSN	70WYOTTGCSN	70WOTDCKT	70WDCMOTKT	70WDCTOTKT
29" ARM LESS CHAIR	70WYALCHDC	70WYACCSN2	70WYACSMCSN	70WYACTGCSN	70WACDCKT	70WDCMALCKT	70WDCTALCKT
56.5" ARM LESS SOFA	70WYALLVDC	70WYALCSN2	70WYALSMCSN	70WYALTGCSN	70WALS DCKT	70WDCMALSFKT	70WDCTALSFKT
40" CORNER CHAIR	70WYCRNDC	70WYCOCSN2	70WYCOSMCSN	70WYCOTGCSN	70WCODCKT	70WDCMCOKT	70WDCTCOKT
36" LEFT ARM CHAISE	70WYLCHSDC	70WYLHCSN3	70WYLHSMCSN	70WYLHTGCSN	70WLACHSDCKT	70WDCMLCHSKT	70WDCTLCHSKT
36" RIGHT ARM CHAISE	70WYRCHSDC	70WYLHCSN3	70WYLHSMCSN	70WYLHTGCSN	70WRACHSDCKT	70WDCMRCHSKT	70WDCTRCHSKT
60" LEFT ARM SOFA	70WYLLVDC	70WYLPCS2	70WYLPSMCSN	70WYLPTGCSN	70WLASDCKT	70WDCMLSFKT	70WDCTLSFKT
60" RIGHT ARM SOFA	70WYRLVDC	70WYLPCS2	70WYLPSMCSN	70WYLPTGCSN	70WRASDCKT	70WDCMRSFKT	70WDCTRSFKT
95.5" 2- PIECE SECTIONAL					70WYDC2PC	70WDCM2PC	70WDCT2PC
95.5" 2- PIECE REVERSE SECTIONAL					70WYDCR2PC2	70WDCMR2PC	70WDCTR2PC
99.5" 3- PIECE SECTIONAL					70WYDC3PC2	70WDCM3PC	70WDCT3PC
132.5" 4- PIECE SECTIONAL					70WYDC4PC2	70WDCM4PC	70WDCT4PC
132.5" 4- PIECE REVERSE SECTIONAL					70WYDCR4PC	70WDCMR4PC	70WDCTR4PC
99.5" 4- PIECE L SECTIONAL					70WYDC4PCL	70WDCML4PC	70WDCTL4PC
156" 4- PIECE REVERSE L SECTIONAL					70WYDC4PCRL	70WDCMLR4PC	70WDCTLR4PC

# ARHAUS®



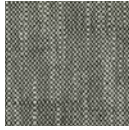


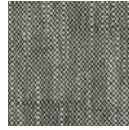

your home

# WYATT

CAPE OUTDOOR COLLECTION

FRAMES MADE IN CHINA; CUSHIONS

MADE IN MEXICO OF AMERICAN-MADE FABRIC

LIVING (VISTA GREY)	FRAME SKUS	CUSHION SKUS			KIT SKUS		
	VISTA GREY 	STARBOARD SNOW 	STARBOARD MINK 	TWILLY GREY 	STARBOARD SNOW 	STARBOARD MINK 	TWILLY GREY 
39.25" SWIVEL CHAIR	70WYSWCHVG	70WYSWCSN2	70WYSWSMCSN	70WYSWTGCSN	70WSCHVGKT	70WVGMSWCKT	70WGTSWCKT
76" SOFA	70WYAPTVG	70WYAPCSN2	70WYAPSMCSN	70WYAPTGCSN	70W76SFVGKT	70WGM7SFKT	70WGT7SFKT
88.25" SOFA	70WYSFVG	70WYSFCSN2	70WYSFSMCSN	70WYSFTGCSN	70W89SFVGKT	70WGM8SFKT	70WGT8SFKT
108.5" SOFA	70WY108SFVG	70WY18SFCSN2	70WY18SFSMCSN	70WY18SFTGCSN	70W108SFVGKT	70WGM1SFKT	70WGT1SFKT
59" SWIVEL DAYBED	70WYDYBDVG	70WYDBCSN2	70WYDBSMCSN	70WYDBTGCSN	70WSDVBGKT	70WVGMSDBKT	70WGTSDDBKT
63" LOUNGE DAYBED	70WYDAYBDVG	70WYDYCSN2	70WYDYSMCSN	70WYDYTGCSN	70WLDBVGKT	70WVGMLDBKT	70WGTLDDBKT
32" OTTOMAN	70WYOTVG	70WYOTCSN2	70WYOTSMCSN	70WYOTTGCSN	70WOTVGKT	70WGMOTKT	70WGTOTKT
29" ARM LESS CHAIR	70WYALCHVG	70WYACCSN2	70WYACSMCSN	70WYACTGCSN	70WACVGKT	70WGMALCKT	70WGTALCKT
56.5" ARM LESS SOFA	70WYALLVG	70WYALCSN2	70WYALSMCSN	70WYALTGCSN	70WALSVGKT	70WGMALSFKT	70WGTALSFKT
40" CORNER CHAIR	70WYCRNVG	70WYCOCSN2	70WYCOSMCSN	70WYCOTGCSN	70WCOVGKT	70WGMCOKT	70WGTCKT
36" LEFT ARM CHAISE	70WYLCHSVG	70WYLHCSN3	70WYLHSMCSN	70WYLHTGCSN	70WLACHSVGKT	70WVGMLCHSKT	70WGTLCHSKT
36" RIGHT ARM CHAISE	70WYRCHSVG	70WYLHCSN3	70WYLHSMCSN	70WYLHTGCSN	70WRACHSVGKT	70WVGMRCHSKT	70WGTTRCHSKT
60" LEFT ARM SOFA	70WYLLVG	70WYLPCS2	70WYLPSMCSN	70WYLPTGCSN	70WLASVGKT	70WVGMLSFKT	70WGTLSFKT
60" RIGHT ARM SOFA	70WYRLVG	70WYLPCS2	70WYLPSMCSN	70WYLPTGCSN	70WRASVGKT	70WVGMRFSFKT	70WGTTRFSFKT
95.5" 2- PIECE SECTIONAL					70WYVG2PC	70WGM2PC	70WGT2PC
95.5" 2- PIECE REVERSE SECTIONAL					70WYVGR2PC2	70WVGMR2PC	70WGTTR2PC
99.5" 3- PIECE SECTIONAL					70WYVG3PC2	70WGM3PC	70WGT3PC
132.5" 4- PIECE SECTIONAL					70WYVG4PC2	70WGM4PC	70WGT4PC
132.5" 4- PIECE REVERSE SECTIONAL					70WYVGR4PC	70WVGMR4PC	70WGTTR4PC
99.5" 4- PIECE L SECTIONAL					70WYVG4PCL	70WVGML4PC	70WGTTL4PC
156" 4- PIECE REVERSE L SECTIONAL					70WYVG4PCRL	70WVGMLR4PC	70WGTTLR4PC

WYATT DINING

shown in  
Vista Grey



SIDE CHAIR

21.75" w x 24" d x 33.5" h



SWIVEL SIDE CHAIR

20.5" w x 24" d x 33.5" h



ARMCHAIR

28.5" w x 24" d x 33.5" h

WYATT DINING CONTINUED

---



SWIVEL ARMCHAIR

27" w x 24" d x 33.5" h



STORAGE BENCH

66" w x 17" d x 19.5" h



BARSTOOL

24" w x 31.75" d x 41.75" h

ARHAUS®  
your home

WYATT

CAPE OUTDOOR COLLECTION

FRAMES MADE IN CHINA; CUSHIONS

MADE IN MEXICO OF AMERICAN-MADE FABRIC

WYATT DINING CONTINUED

---



COUNTER STOOL

23.25" w x 21.25" d x 37.75" h

# ARHAUS®

your home

# WYATT

CAPE OUTDOOR COLLECTION

FRAMES MADE IN CHINA; CUSHIONS

MADE IN MEXICO OF AMERICAN-MADE FABRIC

DINING	FRAME SKUS	CUSHION SKUS			KIT SKUS		
	DRY BARK	STARBOARD	STARBOARD	TWILLY GREY	STARBOARD	STARBOARD	TWILLY GREY
21.75" DINING SIDE CHAIR	70WYDSCHDB2	70WYDSCSN2	70WYDSSMCSN	70WYDSTGCSN	70WDSDBKT	70WDBMDSKT	70WDBTDSKT
20.5" SWIVEL DINING SIDE CHAIR	70WYSWDSCHDB	70WYSDSCSN	70WYSDSSMCSN	70WYSDSTGCSN	70WSDSDBKT	70WDBMSDSKT	70WDBTSDSKT
28.25" DINING ARM CHAIR	70WYDACHDB2	70WYDACSN2	70WYDASMCSN	70WYDATGCSN	70WDADBKT	70WDBMDAKT	70WDBTDAKT
27" SWIVEL DINING ARM CHAIR	70WYSWdachdb	70WYSDACSN	70WYSDASMCSN	70WYSDATGCSN	70WSDADBKT	70WDBMSDAKT	70WDBTSDAKT
66" DINING BENCH	70WYSTBNDB	70WYBNCSN2	70WYBNSMCSN	70WYBNTGCSN	70WDBDBKT	70WDBMDBKT	70WDBTDBKT

24" BARSTOOL	70WYBSTLDB2	70WYBACSN2		70WYBATGCSN	70WBSDBKT	70WDBMBSKT	70WDBTBSKT
23.25" COUNTER STOOL	70WYCSTLDB2	70WYBACSN2	70WYBASMCSN	70WYBATGCSN	70WCSDBKT	70WDBMCSKT	70WDBTCSKT

DINING	FRAME SKUS	CUSHION SKUS			KIT SKUS		
	DARK CHARCOAL	STARBOARD SNOW	STARBOARD MINK	TWILLY GREY	STARBOARD SNOW	STARBOARD MINK	TWILLY GREY
21.75" DINING SIDE CHAIR	70WYDSCHDC2	70WYDSCSN2	70WYDSSMCSN	70WYDSTGCSN	70WSDSCKT	70WDCMDSKT	70WDC TDSKT
20.5" SWIVEL DINING SIDE CHAIR	70WYSWDSCHDC	70WYSDSCSN	70WYSDSSMCSN	70WYSDSTGCSN	70WSDSDCKT	70WDCMSDSKT	70WDC TSDSKT
28.25" DINING ARM CHAIR	70WYDACHDC2	70WYDACSN2	70WYDASMCSN	70WYDATGCSN	70WDADCKT	70WDCMDAKT	70WDC TDAKT
27" SWIVEL DINING ARM CHAIR	70WYSWdachdc	70WYSDACSN	70WYSDASMCSN	70WYSDATGCSN	70WSDADCKT	70WDCMSDAKT	70WDC TSDAKT
66" DINING BENCH	70WYSTBNDC	70WYBNCSN2	70WYBNSMCSN	70WYBNTGCSN	70WDBDCKT	70WDCMDBKT	70WDC TDBKT
24" BARSTOOL	70WYBSTLDC2	70WYBACSN2	70WYBASMCSN	70WYBATGCSN	70WBS DCKT	70WDCMBSKT	70WDC TBSKT

Dimensions may vary slightly. Please ensure furnishings fit through interior structures and into desired space before purchase.

# OUTDOOR PARTS SKUS

CATEGORY	SKU	DESCRIPTION	STATUS	COLLECTION	ROUTE
OUTDOOR	91WYATTBSTAP	WYATT BAR STL TAPS - 1 ALL FINISHES	A	PT-WYATT	PART
OUTDOOR	91WYBARCNTGD	WYATT BAR/CNT STOOL GLIDES - 1 ALL FINISHES/1 SET OF 4 PCS	A	PT-WYATT	PART
OUTDOOR	91WYATTDATAP	WYATT DA CHAIR TAPS - 1 ALL FINISHES	A	PT-WYATT	PART
OUTDOOR	91WYDADSLEG	WYATT DA/DS 3.5" WOOD LEG - 1 ALL FINISHES	A	PT-WYATT	PART
OUTDOOR	91WYDB31CHLF	WYATT DB 31" CHAISE L FOOT - 1	A	PT-WYATT	PART
OUTDOOR	91WYDBLR36CL	WYATT DB 36" CHAISE L FOOT - 1 LEFT/RIGHT	A	PT-WYATT	PART
OUTDOOR	91WYDB56ALLF	WYATT DB 56" AL SF L FOOT - 1	A	PT-WYATT	PART
OUTDOOR	91WYDBLR60SL	WYATT DB 60" ARM SF L FOOT - 1 LEFT/RIGHT	A	PT-WYATT	PART
OUTDOOR	91WYDBACLFT	WYATT DB AL CHAIR L FOOT - 1	A	PT-WYATT	PART
OUTDOOR	91WYDBLVLFT	WYATT DB APT SF L FOOT - 1	A	PT-WYATT	PART
OUTDOOR	91WYDBACIFT	WYATT DB CRNR CHAIR L FOOT - 1	A	PT-WYATT	PART
OUTDOOR	91WYDBSFIFT	WYATT DB I FOOT - 1 SOFA AND APT SOFA	A	PT-WYATT	PART
OUTDOOR	91WYDBOTLFT	WYATT DB OTTOMAN L FOOT - 1	A	PT-WYATT	PART
OUTDOOR	91WYDBSFLFT	WYATT DB SF L FOOT - 1	A	PT-WYATT	PART
OUTDOOR	91WYDBSTBNLF	WYATT DB STOR BNCH L FOOT - 1	A	PT-WYATT	PART
OUTDOOR	91WYDC31CHLF	WYATT DC 31" CHAISE L FOOT - 1	A	PT-WYATT	PART
OUTDOOR	91WYDCLR36CL	WYATT DC 36" CHAISE L FOOT - 1 LEFT/RIGHT	A	PT-WYATT	PART
OUTDOOR	91WYDCLR60SL	WYATT DC 60" ARM SF L FOOT - 1 LEFT/RIGHT	A	PT-WYATT	PART
OUTDOOR	91WYDCLVLFT	WYATT DC APT SF L FOOT - 1	A	PT-WYATT	PART
OUTDOOR	91WYDCACIFT	WYATT DC CRNR CHAIR L FOOT - 1	A	PT-WYATT	PART
OUTDOOR	91WYDCSFIFT	WYATT DC I FOOT - 1 SOFA AND APT SOFA	A	PT-WYATT	PART
OUTDOOR	91WYDCACLFT	WYATT DC L FOOT - 1 AL SOFA AND AL CHAIR	A	PT-WYATT	PART
OUTDOOR	91WYDCOTLFT	WYATT DC OTTOMAN L FOOT - 1	A	PT-WYATT	PART
OUTDOOR	91WYDCSFLFT	WYATT DC SF L FOOT - 1	A	PT-WYATT	PART
OUTDOOR	91WYDCSTBNLF	WYATT DC STOR BNCH L FOOT - 1	A	PT-WYATT	PART
OUTDOOR	91WYATTDSTAP	WYATT DS CHAIR TAPS - 1 ALL FINISHES	A	PT-WYATT	PART
OUTDOOR	91WYSECTCNCT	WYATT SECT CONNECTOR - 1 ALL FINISHES	A	PT-WYATT	PART
OUTDOOR	91WYSFIFT	WYATT SOFA FOOT I SHAPED	D	PT-WYATT	PART
OUTDOOR	91WYSFLFT	WYATT SOFA FOOT L SHAPED	D	PT-WYATT	PART
OUTDOOR	91WYSWCHMC	WYATT SWIVEL CHAIR MECH - 1 ALL FINISHES	A	PT-WYATT	PART
OUTDOOR	91M513114	WYATT SWIVEL CHAIR PLSTC FOOT PLASTIC FOOT W/ SCREW	D	PT-WYATT	PART
OUTDOOR	91WYCHSW	WYATT SWVL DA/DS MECHANISM - 1 ALL FINISHES	A	PT-WYATT	PART
OUTDOOR	91WYWG31CHLF	WYATT WG/VG 31" CHSE L FOOT -1 CHAISE	A	PT-WYATT	PART
OUTDOOR	91WYWGLR36CL	WYATT WG/VG 36" CHSE L FOOT -1 LEFT/RIGHT CHAISE	A	PT-WYATT	PART
OUTDOOR	91WYWG56ALLF	WYATT WG/VG 56" ALSF L FOOT -1	A	PT-WYATT	PART
OUTDOOR	91WYWGLR60SL	WYATT WG/VG 60" SF L FOOT - 1 LEFT/RIGHT	A	PT-WYATT	PART



# OUTDOOR PARTS SKUS

CATEGORY	SKU	DESCRIPTION	STATUS	COLLECTION	ROUTE
OUTDOOR	91WYWGACLFT	WYATT WG/VG AL CH L FOOT - 1	A	PT-WYATT	PART
OUTDOOR	91WYWGLVIFT	WYATT WG/VG APT SF I FOOT - 1	A	PT-WYATT	PART
OUTDOOR	91WYWGLVLFT	WYATT WG/VG APT SF L FOOT - 1	A	PT-WYATT	PART
OUTDOOR	91WYWGACIFT	WYATT WG/VG CRNR CH L FOOT - 1	A	PT-WYATT	PART
OUTDOOR	91WYWGOTLFT	WYATT WG/VG OTTOMAN L FOOT - 1	A	PT-WYATT	PART
OUTDOOR	91WYWGSFIFT	WYATT WG/VG SF I FOOT - 1	A	PT-WYATT	PART
OUTDOOR	91WYWGSFLFT	WYATT WG/VG SF L FOOT - 1	A	PT-WYATT	PART
OUTDOOR	91WYWGSTBNLF	WYATT WG/VG STG BNCH L FOOT -1	A	PT-WYATT	PART

## OUTDOOR CARE

outdoor collection

made in AMERICA

### care and cleaning

- ▶ Harsh sunlight may cause your piece to fade over time. Protect the finish and prolong the life of your furniture with Arhaus covers when not in use.

#### FOR REMOVABLE CUSHION COVERS AND SLIPCOVERS

##### *Hand washing*

- ▶ Soak fabric in a solution of 1/4-cup mild soap per gallon of lukewarm water.
- ▶ Use a sponge or a soft bristle brush as necessary.
- ▶ Rinse thoroughly to remove all soap residue.
- ▶ Air dry.

##### *Machine washing*

- ▶ Machine wash in cold water with mild laundry soap.
- ▶ Allow Sunbrella® to air dry.
- ▶ **DO NOT MACHINE DRY.**
- ▶ **DO NOT** use a steamer or an iron with steam setting. If wrinkles are a concern, use an iron set to “synthetic fabric” heat.

##### *Spot cleaning upholstered pieces*

- ▶ Apply a light mist of mild soap and water using a spray bottle.
- ▶ Remove stain with a sponge or very soft bristle brush.
- ▶ Rinse thoroughly to remove all soap residue.
- ▶ Wet-vacuum or blot excess water.
- ▶ Air dry. Repeat steps 3 and 4 until all soap residue is removed.

##### *For stubborn stains/mildew*

- ▶ Prepare a solution of 1-cup bleach and 1/4-cup of mild soap per gallon of clean water. (If stain/mildew is severe, bleach quantities may be slightly increased.)
- ▶ Soak affected area in solution for 15 minutes.
- ▶ Remove stain with a sponge, clean towel or very soft bristle brush until all soap residue is removed.
- ▶ Rinse thoroughly to remove all soap residue.
- ▶ Air dry.

#### WICKER/RATTAN

- ▶ Dust wood with a soft, dry cloth.
- ▶ Spray off any dirt or debris with a garden hose and wipe dry
- ▶ Avoid letting water stand on your piece(s).

#### CONCRETE & RECONSTRUCTED STONE

- ▶ Clean with a soft, damp cloth.
- ▶ Wipe up spills quickly to avoid stains.
- ▶ Avoid oil and abrasive cleansers.

#### ALUMINUM

- ▶ Dust with a soft, dry cloth.
- ▶ Spray off any dirt or debris with a garden hose and wipe dry.
- ▶ Avoid letting water stand on your piece(s).

#### RECLAIMED WOOD

- ▶ All reclaimed wood products have several coats of lacquer and a wax finish applied to the surface.
- ▶ This material can be easily maintained with Fiddes® Wax.
  - Before application, ensure that the surface is clean and dry.
  - Apply Fiddes® Wax to the surface in small sections following the grain.
  - This wax is quick drying and can be buffed after it dries for a desired sheen.

#### TEAK

- ▶ Dust with a soft dry cloth.
- ▶ Twice a year, spray off any dirt or debris with a garden hose and wipe dry.
- ▶ Natural oil surfacing will occur and can be removed by gentle washing.
- ▶ To remove stains, clean with warm water and mild dishwashing soap. Gently scrub with a soft-bristle brush in the direction of the grain. Rinse with water and dry thoroughly with a soft, dry cloth.
- ▶ Avoid letting water stand on your piece(s).
- ▶ Teak ages gracefully. If left to the elements it develops a greyish patina over time which can be left as-is or removed with fine sandpaper (no less than P120 grit) and applying a teak sealer. This same sandpaper can be used to remove stains, surface imperfections or small marks.

# ARHAUS®

your home

## outdoor furniture covers



### Sofa Cover

90" w x 42" d x 27" h  
104" w x 50" d x 27" h

70SFCV  
70XLSFCV

### Chair Cover

27" w x 37" d x 36" h  
43" w x 42" d x 30" h  
54.5" w x 47" d x 33" h

70SMCHCV  
70LGCHCV  
70XLCHCV

### Ottoman Cover

36" w x 30" d x 12" h  
46" w x 46" d x 16" h

70OTTOCV  
70LGOTTOCV

### Chaise Cover

34" w x 83" d x 24" h

70CHAISECV

### Double Chaise Cover

80" w x 84" d x 24" h

70DBLCHSCV

### Rectangular Dining Table & Chairs Cover

90" w x 110" d x 32" h

70RECDT6CHCV

### Round Dining Table Cover

92" diameter x 36" h

70RDDT6CHCV

### Round Coffee Table Cover

38" diameter x 20" h

70RNDCFCV

## keep your outdoor furnishings protected year round

Arhaus premium outdoor furniture covers offer ultimate protection for your outdoor furnishings. Made from resilient Sur Last® fabric, each cover is specifically tailored to each of our Arhaus outdoor collections, ensuring a perfect fit. Covers are breathable and fade-resistant; their 100% solution-dyed polyester will protect any outdoor living and dining spaces from UV-rays, dust, debris, and moisture.

### product details

- ▶ Protect your outdoor furnishings from dust, debris, and moisture.
- ▶ Sur Last® furniture covers are made using 100% solution-dyed polyester.
- ▶ Each cover is specifically tailored to match Arhaus outdoor furniture collections.
- ▶ Sur Last® fabric is breathable, fade-resistant, waterproof, and UV-proof.
- ▶ Includes elastic drawstring with two to four plastic, double-barrel, cord-lock closures to ensure a secure fit.
- ▶ Comes with a three-year limited warranty.
- ▶ Machine washable.





## Sunbrella®/Outdura®—where ease and beauty meet.

One of the best ways to keep Sunbrella®/Outdura® fabrics looking good and to delay deep or vigorous cleaning is to properly maintain the fabrics. This can be accomplished by simply brushing off dirt

before it becomes embedded in the fabrics, wiping up spills as soon as they occur or spot cleaning soon after stains occur.



### care and cleaning

#### FOR REMOVABLE CUSHION COVERS AND SLIPCOVERS:

##### *hand washing*

- ▶ Soak fabric in a solution of 1/4 cup mild soap per gallon of lukewarm water.
- ▶ Use a sponge or a soft bristle brush as necessary.
- ▶ Rinse thoroughly to remove all soap residue.
- ▶ Air dry.

##### *machine washing*

- ▶ Machine wash in cold water with mild laundry soap.
- ▶ Allow Sunbrella®/Outdura® to air dry.
- ▶ **DO NOT MACHINE DRY.**

#### SPOT CLEANING UPHOLSTERED PIECES

- ▶ Apply a light mist of mild soap and water using a spray bottle.
- ▶ Remove stain with a sponge or very soft bristle brush.
- ▶ Rinse thoroughly to remove all soap residue.
- ▶ Wet-vacuum or blot excess water.
- ▶ Air dry. Repeat steps 3 and 4 until all soap residue is removed.

#### FOR STUBBORN STAINS / MILDEW

Sunbrella®/Outdura® fabric does not promote mildew growth, however, mildew may grow on dirt and other foreign substances that are not removed from the fabric.

- ▶ Prepare a solution of 1 cup bleach and 1/4 cup of mild soap per gallon of clean water. If stain/mildew is severe, bleach quantities may be slightly increased.
- ▶ Soak affected area in solution for 15 minutes.
- ▶ Remove stain with a sponge, clean towel or very soft bristle brush until all soap residue is removed.
- ▶ Rinse thoroughly to remove all soap residue.
- ▶ Air dry.

#### HELPFUL HINTS

- ▶ Protect the area around your Sunbrella®/Outdura® fabric when using a bleach solution – bleach may discolor non-Sunbrella®/Outdura® fabrics.
- ▶ Always rinse Sunbrella®/Outdura® thoroughly to completely remove bleach and soap.
- ▶ Sunbrella®/Outdura® air dries very quickly.
- ▶ **DO NOT MACHINE DRY.**
- ▶ **DO NOT** use a steamer or an iron with steam setting. If wrinkles are a concern, use an iron set to “synthetic fabric” heat.

Super Category	Product ID	Description	Stat	Collection	Route
OUTDOOR	91ADNBARHDW	ADONES 36" BAR ASSEMHDW - 1 1 SET	A	PT-ADONES	PART
OUTDOOR	91ADNCTHDW	ADONES 36" CNT ASSEMHDW - 1 1 SET	A	PT-ADONES	PART
OUTDOOR	91ADN54HDW	ADONES 54" DINTBL ASSEMHDW - 1 1 SET	A	PT-ADONES	PART
OUTDOOR	91AD54DTSTR	ADONES 54" RD DIN TBL STRCH REVISED STRETCHER - 1	T	PT-ADONES	PART
OUTDOOR	91ADN58BNHDW	ADONES 58" DIN BN ASSEMHDW - 1 1 SET	A	PT-ADONES	PART
OUTDOOR	91ADN60HDW	ADONES 60" DINTBL ASSEMHDW - 1 1 SET	A	PT-ADONES	PART
OUTDOOR	91AD60DTSTR	ADONES 60" RD DIN TBL STRCH REVISED STRETCHER - 1	T	PT-ADONES	PART
OUTDOOR	91ADN70BNHDW	ADONES 70" DIN BN ASSEMHDW - 1 1 SET	A	PT-ADONES	PART
OUTDOOR	91ADN72HDW	ADONES 72" DINTBL ASSEMHDW - 1 1 SET	A	PT-ADONES	PART
OUTDOOR	91AD72RDTSTR	ADONES 72" RD DIN TBL STRCH REVISED STRETCHER - 1	T	PT-ADONES	PART
OUTDOOR	91AD72DTSTR	ADONES 72" RECT DIN TBL STRCH REVISED STRETCHER - 1	T	PT-ADONES	PART
OUTDOOR	91ADN82BNHDW	ADONES 82" DIN BN ASSEMHDW - 1 1 SET	A	PT-ADONES	PART
OUTDOOR	91ADN84HDW	ADONES 84" DIN TBL ASSEM HDW 1 SET	A	PT-ADONES	PART
OUTDOOR	91AD84DTSTR	ADONES 84" RECT DIN TBL STRCH REVISED STRETCHER - 1	T	PT-ADONES	PART
OUTDOOR	91ADN96HDW	ADONES 96" DINTBL ASSEMHDW - 1 1 SET	A	PT-ADONES	PART
OUTDOOR	91AD96DTSTR	ADONES 96" RECT DIN TBL STRCH REVISED STRETCHER - 1	T	PT-ADONES	PART
OUTDOOR	91ADNCFHDW	ADONES COFFE TBL ASSEM HDW - 1 1 SET	A	PT-ADONES	PART
OUTDOOR	91ADCFENBNFT	ADONES COFFEE/END GLIDE - 4 60MM SQ	A	PT-ADONES	PART
OUTDOOR	91ADCFENBNLV	ADONES COFFEE/END LEVELR - 1 ADJ M8 DIA 25MM	A	PT-ADONES	PART
OUTDOOR	91ADNDTCAP	ADONES DIN TBL UMBREL CAP - 1	A	PT-ADONES	PART
OUTDOOR	91ADDTBNLVL	ADONES DIN TBLBENCH LEVELR - 4 ALL SIZES / ADJ M6 DIA 25MM	A	PT-ADONES	PART
OUTDOOR	91ADN84RDFT	ADONES DINING BENCH GLIDE - 4 ALL SIZES / 70MM SQ	A	PT-ADONES	PART
OUTDOOR	91ADNENDHDW	ADONES END TABLE ASSEM HDW - 1 1 SET	A	PT-ADONES	PART
OUTDOOR	91ADNLGDSFT	ADONES LCH/DA/DS GLIDE - 4 25MM RD/LCH/DA/DS/BS/CS/CHS/OT	A	PT-ADONES	PART
OUTDOOR	91ADNTGDSFT	ADONES RECT D TABLE GLIDE - 1 ALL SIZES / 90MM SQ	A	PT-ADONES	PART
OUTDOOR	91ADNSECCNCT	ADONES SECTIONAL CONNECTOR - 1 ALL COMPONENTS	A	PT-ADONES	PART
OUTDOOR	91ADLRALCRFT	ADONES SOFA/SECT GLIDE - 1 30MM RD / ALL COMPONENTS	A	PT-ADONES	PART
OUTDOOR	91ADLERL	ADLER DINING BASE L BRACKET REVISED BRACKET 1ST PO'S ONLY	D	PT-ALDER	PART
OUTDOOR	91ADLRDTHDW	ADLER RIVET 84" BASE HARDWARE	A	PT-ALDER	PART
OUTDOOR	91ALGARVESC	ALGARVE SECTIONAL CONNECT - 2 SET OF 2 / ALL STYLE / STNSTL	A	PT-ALGARVE	PART
OUTDOOR	91ALTACHGD	ALTA LOUNGE CHAIR GLIDE - 4 SET OF 4/25MM RD	A	PT-ALTA	PART
OUTDOOR	91ANDAZFT	ANDAZ FOOT - 1	A	PT-ANDAZ	PART
OUTDOOR	91ARLOCHHDW	ARLO CHAISE HARDWARE PACK SET OF ASSEMBLY HARDWARE	D	PT-ARLO	PART
OUTDOOR	91ARLODTHW	ARLO DINING TABLE HARDWARE SET	D	PT-ARLO	PART
OUTDOOR	70ARLOFOOT	ARLO PLASTIC FOOT TAP IN	D	PT-ARLO	PART

Super Category	Product ID	Description	Stat	Collection	Route
OUTDOOR	91BALA1SFGD	BAL HAR A 108" SF GLIDE - 3 SET OF 3	A	PT-BALHAR	
OUTDOOR	91BAL1SFLEV	BAL HAR A 108" SF LEV - 4 SET OF 4	A	PT-BALHAR	
OUTDOOR	91BALA7SFGD	BAL HAR A 74" SF GLIDE - 1 SET OF 1	A	PT-BALHAR	
OUTDOOR	91BAL7SFLEV	BAL HAR A 74" SF LEV - 4 SET OF 4	A	PT-BALHAR	
OUTDOOR	91BALA8SFGD	BAL HAR A 89" SF GLIDE - 2 SET OF 2	A	PT-BALHAR	
OUTDOOR	91BAL8SFLEV	BAL HAR A 89" SF LEV - 4 SET OF 4	A	PT-BALHAR	
OUTDOOR	91BALAGD	BAL HAR A GLIDE - 4 SET OF 4-CHS/COF/END	A	PT-BALHAR	
OUTDOOR	91BAL8SCHLEV	BAL HAR A SW CH LEV - 8 SET OF 8	A	PT-BALHAR	
OUTDOOR	91BAL8SCHSWL	BAL HAR A SW CH SWL - 1 SET OF 1	A	PT-BALHAR	
OUTDOOR	91BALHARALSC	BAL HAR SECT CONNECT ALUM - 1 ALL COMPONENTS	A	PT-BALHAR	PART
OUTDOOR	91BALHARSC	BAL HAR SECT CONNECT TEAK - 1 ALL COMPONENTS	A	PT-BALHAR	PART
OUTDOOR	91BALT4GD	BAL HAR T GLIDE - 4 SET OF 4/25MM FIX-ED/CHS/72COF	A	PT-BALHAR	
OUTDOOR	91BALT10GD	BAL HAR T SF GLIDE - 10 SET OF 10/25MM FIX-108 SF	A	PT-BALHAR	
OUTDOOR	91BALT8GD	BAL HAR T SF GLIDE - 8 SET OF 8/25MM FIX-74/89 SF	A	PT-BALHAR	
OUTDOOR	91BALT6GD	BAL HAR T SW CH GLIDE - 6 SET OF 6 / 20MM ADJ	A	PT-BALHAR	
OUTDOOR	91BLALCHHDW	BLAKELEY L CH ASSEM HDW - 1 1 SET / LOUNGE CHAIR	A	PT-BLAKELE	
OUTDOOR	91BLALCHHDW2	BLAKELEY L CH ASSEM HDW - 1 1 SET / LOUNGE CHAIR	A	PT-BLAKELE	
OUTDOOR	91BLALCHHDW2	BLAKELEY L CH ASSEM HDW - 1 1 SET / LOUNGE CHAIR	A	PT-BLAKELE	
OUTDOOR	91ADLRDTLBR	ADLER RIVET 84" DIN BS L BRAKT	D	PT-BOURD	PART
OUTDOOR	91ADLDTBNHDW	ADLER RIVET DIN BENCH BS HDW	D	PT-BOURD	PART
OUTDOOR	91ADLDTBNLBR	ADLER RIVET DIN BN BS L BRAKT	D	PT-BOURD	PART
OUTDOOR	91BR36TPHDW	BOURD 36" BIST TP ASSEMHDW - 1 2 M8 BOLTS/2 M8 WASH/1 A.KEY	A	PT-BOURD	PART
OUTDOOR	91BR54TPHDW	BOURD 54" TBL TP ASSEMHDW - 1 2 M8 BOLTS/2 M8 WASH/1 A.KEY	A	PT-BOURD	PART
OUTDOOR	91BR63TPHDW	BOURD 63" TBL TP ASSEMHDW - 1 2 M8 BOLTS/2 M8 WASH/1 A.KEY	A	PT-BOURD	PART
OUTDOOR	91BR74TPHDW	BOURD 74" D BN TP ASSEMHDW - 1 4 M8 BOLTS/4 M8 WASH/1 A.KEY	A	PT-BOURD	PART
OUTDOOR	91BRDBISTHDW	BOURD 84" TBL ASSEMHDW - 1 1 SET	A	PT-BOURD	PART
OUTDOOR	91BRDBISTLBR	BOURD 84" TBL BS L BRAK - 1	A	PT-BOURD	PART
OUTDOOR	91BR84TPHDW	BOURD 84" TBL TP ASSEMHDW - 1 4 M8 BOLTS/4 M8 WASH/1 A.KEY	A	PT-BOURD	PART
OUTDOOR	91BRDRT96HDW	BOURD 96" TBL ASSEMHDW - 1 1 SET	A	PT-BOURD	PART
OUTDOOR	91BRDRT96LBR	BOURD 96" TBL BS L BRAK - 1	A	PT-BOURD	PART
OUTDOOR	91BR96TPHDW	BOURD 96" TBL TP ASSEMHDW - 1 4 M8 BOLTS/4 M8 WASH/1 A.KEY	A	PT-BOURD	PART
OUTDOOR	91BRBARHDW	BOURD BAR TABLE ASSEM HDW - 1 1 SET	A	PT-BOURD	PART
OUTDOOR	91BRDBARLBR	BOURD BAR TBL BASE L BRAKT - 1	A	PT-BOURD	PART
OUTDOOR	91BRDRTDNLBR	BOURD BISTRO BASE L BRAK - 1	A	PT-BOURD	PART
OUTDOOR	91BRDTBHW	BOURD BISTRO TBL ASSEM HDW - 1 1 SET	A	PT-BOURD	PART
OUTDOOR	912056BOUCON	BOURD CONSOLE BASE HDW - 1 SET	D	PT-BOURD	PART

Super Category	Product ID	Description	Stat	Collection	Route
OUTDOOR	91BRDCONLBR	BOURD CONSOLE TBL BS L BRAKT	D	PT-BOURD	PART
OUTDOOR	912056BOUBEN	BOURD DIN BENCH ASSEM HDW - 1 1 SET	A	PT-BOURD	PART
OUTDOOR	91BRDDNBNLBR	BOURD DIN BENCH BS L BRAK - 1	A	PT-BOURD	PART
OUTDOOR	91BRENDHDW	BOURD END TABLE ASSEM HDW - 1 1 SET	A	PT-BOURD	PART
OUTDOOR	91BRDENDLBR	BOURD END TABLE BS L BRAK - 1	A	PT-BOURD	PART
OUTDOOR	912056BOURHW	BOURD END TBL BASE L BRAKT - 1	D	PT-BOURD	PART
OUTDOOR	91BR36CTPHDW	BOURD EPOXY AND ROUND INSERT 2 SET OF 2	A	PT-BOURD	PART
OUTDOOR	91BR63CTPHDW	BOURD EPOXY AND ROUND INSERT 4 SET OF 4	D	PT-BOURD	PART
OUTDOOR	91BRDRDCFHDW	BOURD RD COFFEE ASSEM HDW - 1 1 SET	A	PT-BOURD	PART
OUTDOOR	91BRDRDCFBR	BOURD RD COFFEE BS L BRAKT - 1	A	PT-BOURD	PART
OUTDOOR	91BRDRDHDW	BOURD RD DIN TBL ASSEM HDW - 1 1 SET / 54"-63" SIZES	A	PT-BOURD	PART
OUTDOOR	91BRDRDDNLBR	BOURD RD DINTBLBASE L BRAK - 1 54"-63" SIZES	A	PT-BOURD	PART
OUTDOOR	912056BOURCOF	BOURD RECT COFFEE ASSEMHDW - 1 1 SET	A	PT-BOURD	PART
OUTDOOR	91BRDRTCFBR	BOURD RECTCOFFEE BS L BRAK - 1	A	PT-BOURD	PART
OUTDOOR	91BRANFEET	BRANSON FOOT - 1	A	PT-BRANS	PART
OUTDOOR	91BRISBSHDW	BRIS COF TBL BS ASSEMHDW - 1 1 SET	A	PT-BRISBAN	PART
OUTDOOR	91BRISBSLVL	BRIS COF TBL BS LEVELR - 4 SET OF 4/ADJ M6 25MM RD	A	PT-BRISBAN	PART
OUTDOOR	91BRISTPHDW	BRIS COF TBL TP ASSEMHDW - 1 12 M8 BOLTS/12 M8 WASH/1 A.KEY	A	PT-BRISBAN	PART
OUTDOOR	91CAL84DTHDW	CALIST 84" DINTBL ASSEMHDW - 1 1 SET	A	PT-CALIST	PART
OUTDOOR	91CANENDHDW	CANYON 24" ENDTBL ASSEMHDW - 1 1 SET	A	PT-CANYON	PART
OUTDOOR	91CAN60BNHDW	CANYON 60" D BNCH ASSEMHDW - 1 1 SET	A	PT-CANYON	PART
OUTDOOR	91CAN72BNHDW	CANYON 72" D BNCH ASSEMHDW - 1 1 SET	A	PT-CANYON	PART
OUTDOOR	91CAN74DTHDW	CANYON 74" DINTBL ASSEMHDW - 1 1 SET	A	PT-CANYON	PART
OUTDOOR	91CAN84BNHDW	CANYON 84" D BNCH ASSEMHDW - 1 1 SET	A	PT-CANYON	PART
OUTDOOR	91CAN86DTHDW	CANYON 86" DINTBL ASSEMHDW - 1 1 SET	A	PT-CANYON	PART
OUTDOOR	91CAN98DTHDW	CANYON 98" DINTBL ASSEMHDW - 1 1 SET	A	PT-CANYON	PART
OUTDOOR	91CANABTBLHW	CANYON AL BAR/CNT TBL HDW SET OF 1/ BAR/CNT TBL	A	PT-CANYON	
OUTDOOR	91CANADNTHW	CANYON AL DINTBL HDW SET OF 1 / 74/86TBL	A	PT-CANYON	
OUTDOOR	91CANTBTBLHW	CANYON T BAR TBL ASSEMHDW-1 SET OF 1- BARTBL	A	PT-CANYON	
OUTDOOR	91CANTCNTBHW	CANYON T CNT TBL ASSEMHDW-1 SET OF 1- CNTTBL	A	PT-CANYON	
OUTDOOR	91CANTSWCHAD	CANYON T SW CH ADJ - 6 SET OF 6	A	PT-CANYON	
OUTDOOR	91CST54UMCAP	COSTA 54" DIN TBL UMB CAP - 1	A	PT-COSTA	PART
OUTDOOR	91CST54DTHDW	COSTA 54" DINTBL ASSEM HDW - 1 1 SET	A	PT-COSTA	PART
OUTDOOR	91CST70UMCAP	COSTA 70" DIN TBL UMB CAP - 1	A	PT-COSTA	
OUTDOOR	91CST70DTHDW	COSTA 70" DINTBL ASSEM HDW - 1 1 SET	A	PT-COSTA	PART
OUTDOOR	91CST72DTHDW	COSTA 72" DINTBL ASSEM HDW - 1 1 SET	A	PT-COSTA	PART



Super Category	Product ID	Description	Stat	Collection	Route
OUTDOOR	91CST84DTHDW	COSTA 84" DINTBL ASSEM HDW - 1 1 SET	A	PT-COSTA	PART
OUTDOOR	91CST96DTHDW	COSTA 96" DINTBL ASSEM HDW - 1 1 SET	A	PT-COSTA	PART
OUTDOOR	91CSTALBNGD	COSTA ALUM DIN BNCH GLIDE - 6 SET OF 6 / ALL SIZES	A	PT-COSTA	PART
OUTDOOR	91CSTALUMCAP	COSTA ALUM DIN TBL UMB CAP - 1 1 SET	A	PT-COSTA	PART
OUTDOOR	91CSTALDTHDW	COSTA ALUM DINTBL ASSEMHDW - 1 1 SET 8 BOLT M6X60 RING	A	PT-COSTA	PART
OUTDOOR	91CSTALCHGD	COSTA ALUM DS/DA CH GLIDE - 4 SET OF 4 / ALL SIZES	A	PT-COSTA	PART
OUTDOOR	91CSTALDTLVL	COSTA ALUM DTBL GLD/LEVELR - 4 SET OF 4 GLIDE/LEVELR	A	PT-COSTA	PART
OUTDOOR	91CSTALSECGD	COSTA ALUM SECT GLIDER - 2 SET OF 2 / ALL COMPONENTS	A	PT-COSTA	PART
OUTDOOR	91COSTAUMCAP	COSTA DIN TBL UMBREL CAP - 1 RECT / ALL SIZES	A	PT-COSTA	PART
OUTDOOR	91COSTACNCTR	COSTA SECTIONAL CONNECTOR - 1 ALL COMPONENTS	A	PT-COSTA	PART
OUTDOOR	91CREWHOOK	CREW HANGING CHAIR HOOK - 1 1 SET	A	PT-CREW	PART
OUTDOOR	91DARROWFT	DARROW FOOT (1 PIECE)	D	PT-DARROW	PART
OUTDOOR	91DEVADJTR	DEVON DS/DA CHAIR ADJUSTER - 1 19MM WHITE	A	PT-DEVON	PART
OUTDOOR	91EWHDW	EDGWTR DIN TBL ASSEMHDW - 1 4 M8 BOLTS/4 M8 WASH/1 A.KEY	A	PT-EDGEWTR	PART
OUTDOOR	91FR2955PPGD	29"/55" PP FIRE PIT GLIDES - 4 SET OF 4	A	PT-FIREPT	PART
OUTDOOR	91FR38PPGD	38" PP/CVR FIRE PIT GLIDES - 4 SET OF 4	A	PT-FIREPT	PART
OUTDOOR	91FR67GRTRAY	FIRE 67" PIT GRILL TRAY	D	PT-FIREPT	PART
OUTDOOR	91FRRDGRRACK	FIRE PIT 36" ROUND GRILL RACK	A	PT-FIREPT	PART
OUTDOOR	91FRRDGRTRAY	FIRE PIT 36" ROUND GRILL TRAY	A	PT-FIREPT	PART
OUTDOOR	91FRRDGRROCK	FIRE PIT 36" ROUND ROCKS 1 PACK	A	PT-FIREPT	PART
OUTDOOR	91FR53GRFT	FIRE PIT 53" FEET - 4 SET OF 4	A	PT-FIREPT	PART
OUTDOOR	91FR53GRRACK	FIRE PIT 53" GRILL RACK - 1	A	PT-FIREPT	PART
OUTDOOR	91FR53GRTRAY	FIRE PIT 53" GRILL TRAY - 1	A	PT-FIREPT	PART
OUTDOOR	91CNGR53ROCK	FIRE PIT 53" LOG ROCKS ALL COLORS	A	PT-FIREPT	PART
OUTDOOR	91FR67GRRACK	FIRE PIT 67" GRILL RACK	D	PT-FIREPT	PART
OUTDOOR	91CNGR67ROCK	FIRE PIT 67" LOG ROCKS ALL COLORS	D	PT-FIREPT	PART
OUTDOOR	91FR67GRFT	FIRE PIT 67" FEET	D	PT-FIREPT	PART
OUTDOOR	91PS6419A	FIRE PIT ROUND GRILL GREY ROUND FIREPIT - GRILL	A	PT-FIREPT	PART
OUTDOOR	91FIREFOOT	OUTDOOR FIREPIT FOOT S/4 SET OF 4 / ALL RECT. STYLES	A	PT-FIREPT	PART
OUTDOOR	91HMDAYBDHDW	HAMPT 72" DAYBED ASSEM HDW - 1 1 SET - ALL SIZES / FINISHES	A	PT-HAMPTON	PART
OUTDOOR	91HAMPBRCPHD	HAMPT BAR CART CUP HOLDER - 1 ALL FINISHES	A	PT-HAMPTON	PART
OUTDOOR	91HAMPBRTRAY	HAMPT BAR CART TRAY - 1 ALL FINISHES	A	PT-HAMPTON	PART
OUTDOOR	91HAMPCOFHDW	HAMPT COFFEE TBL ASSEM HDW - 1 1 SET - ALL SIZES / FINISHES	A	PT-HAMPTON	PART
OUTDOOR	91HAMDGDBF	HAMPT DG DAYBED FINIAL - 4 SET OF 4 / DRIFTWOOD GREY	A	PT-HAMPTON	PART
OUTDOOR	91HAMPBNHW	HAMPT DIN BENCH ASSEM HDW - 1 1 SET - ALL SIZES / FINISHES	A	PT-HAMPTON	PART
OUTDOOR	91HAMPENDHDW	HAMPT END TBL ASSEM HDW - 1 1 SET - ALL SIZES / FINISHES	A	PT-HAMPTON	PART



Super Category	Product ID	Description	Stat	Collection	Route
OUTDOOR	91HAMPRDTBHW	HAMPT RD DIN TBL ASSEM HDW - 1	A	PT-HAMPTON	PART
OUTDOOR	70HAMPRDTBHW	HAMPT RD DIN TBL ASSEM HDW DIS 1 SET - ALL SIZES / FINISHES	A	PT-HAMPTON	PART
OUTDOOR	91HAMPODTBHW	HAMPT RECTDINTBL ASSEM HDW - 1	A	PT-HAMPTON	PART
OUTDOOR	70HAMPODTBHW	HAMPT RECTDINTBL ASSEM HDW DI 1 SET - ALL SIZES / FINISHES	A	PT-HAMPTON	PART
OUTDOOR	91HAMPSECCNT	HAMPT SECTIONAL CONNECTOR - 2 ALL COMPONENTS / FINISHES	A	PT-HAMPTON	PART
OUTDOOR	91HAMTBWH	HAMPT TB WHEEL/HDW - 1 INCL LOCKING MECH	T	PT-HAMPTON	PART
OUTDOOR	91HAMWFDBF	HAMPT WF DAYBED FINIAL - 4 SET OF 4 / WEATHERED FAWN	A	PT-HAMPTON	
OUTDOOR	91HAMWFWH	HAMPT WHEEL/HDW - 1 1 SET - ALL SIZES / FINISHES	A	PT-HAMPTON	PART
OUTDOOR	91MALANGFT	MALANG SOFA/CHAIR FOOT - 1 30MM DIA / PLASTIC	A	PT-MALANG	PART
OUTDOOR	91MALAHDW	MALAWI DS ASSEM HDW - 1 1 SET	T	PT-MALAWI	PART
OUTDOOR	91MALAWITRAY	MALAWI TRAY TABLE - 1	T	PT-MALAWI	PART
OUTDOOR	91MALI72DTHW	MALIBU DINING 72" TABLE HDW COMPLETE SET	D	PT-MALIBOD	PART
OUTDOOR	91MALI60BEHW	MALIBU DINING BENCH 60" HDW COMPLETE SET	D	PT-MALIBOD	PART
OUTDOOR	91MALI17ETHW	MALIBU END TABLE 17" HDW COMPLETE SET	D	PT-MALIBOD	PART
OUTDOOR	91MARSTNDCAP	MARINA BASE CAP SET OF 3 SET OF 3	A	PT-MARINA	PART
OUTDOOR	91MARDE	MARINA HANGING CHAIR D & E SET OF 1	A	PT-MARINA	PART
OUTDOOR	91MARGH	MARINA HANGING CHAIR G & H SET OF 1	A	PT-MARINA	PART
OUTDOOR	91MARHOOK	MARINA HANGING CHAIR HOOK - 1 1 SET	A	PT-MARINA	PART
OUTDOOR	91MELGD	MEL CHSE GLIDE - 4 SET OF 4/ALL FINISHES	A	PT-MELBOUR	
OUTDOOR	91MELLEVE	MEL SF LEV - 6 SET OF 6/ALL FINISHES/SIZES	A	PT-MELBOUR	
OUTDOOR	91MELCHSW	MELBOURNE DA SWIVEL - 1 1 SET	A	PT-MELBOUR	PART
OUTDOOR	91MELLCHSW	MELBOURNE LCH SWIVEL - 1 1 SET	A	PT-MELBOUR	PART
OUTDOOR	91MELCHLVL	MELBOURNE LCH/DA LEVELER - 8 SET OF 8	A	PT-MELBOUR	PART
OUTDOOR	91MILOSTGD	MILOS GLIDE - 4 SET OF 4- DC	A	PT-MILOS	PART
OUTDOOR	91MILOSTLEV	MILOS LEV - 12 SET OF 12	A	PT-MILOS	PART
OUTDOOR	91MONT48TBHDW	MONT 48" DIN TBL ASSEM HDW - 1 1 SET / SLATE	D	PT-MONTEGO	PART
OUTDOOR	91MONT60TBHDW	MONT 60" DIN TBL ASSEM HDW - 1 1 SET / SLATE	D	PT-MONTEGO	PART
OUTDOOR	91MONT84TBHDW	MONT 84" DIN TBL ASSEM HDW - 1 1 SET / SLATE	D	PT-MONTEGO	PART
OUTDOOR	91MONTBRHDW	MONT BAR TABLE ASSEM HDW - 1 1 SET / SLATE	A	PT-MONTEGO	PART
OUTDOOR	91MOBARLEV	MONT BAR/COUN TABLE LEVEL - 4 SET OF 4 / WHITE	A	PT-MONTEGO	PART
OUTDOOR	91MOCTBLEV	MONT C TABLE LEVELER - 4 SET OF 4 / WHITE	A	PT-MONTEGO	PART
OUTDOOR	91MONTCTLVL	MONT C TABLE LEVELER - 4 SET OF 4 / SLATE	A	PT-MONTEGO	PART
OUTDOOR	91MONTCSHDW	MONT CHAISE ASSEM HDW - 1 1 SET / SLATE	A	PT-MONTEGO	PART
OUTDOOR	91MOCHAHDW	MONT CHAISE ASSEM HDW - 1 1 SET / WHITE	A	PT-MONTEGO	PART

Super Category	Product ID	Description	Stat	Collection	Route
OUTDOOR	91MOCHALEV	MONT CHAISE LEVELER - 4 SET OF 4 / WHITE	A	PT-MONTEGO	PART
OUTDOOR	91MONTCHLVL	MONT CHAISE LEVELER - 4 SET OF 4 / SLATE	A	PT-MONTEGO	PART
OUTDOOR	91MONTCFHDW	MONT COFFEE TBL ASSEM HDW - 1 1 SET / SLATE	A	PT-MONTEGO	PART
OUTDOOR	91MOCOFHDW	MONT COFFEE TBL ASSEM HDW - 1 1 SET / WHITE	A	PT-MONTEGO	PART
OUTDOOR	91MONTCTHDW	MONT COUNTER TBL ASSEM HDW - 1 1 SET / SLATE	A	PT-MONTEGO	PART
OUTDOOR	91MONTCHSHDW	MONT DBL CHAISE ASSEM HDW - 1 1 SET	A	PT-MONTEGO	PART
OUTDOOR	91MODBNHDW	MONT DINING BNCH ASSEM HDW - 1 1 SET / WHITE	A	PT-MONTEGO	PART
OUTDOOR	91MONTDBHRW	MONT DINING BNCH ASSEM HDW - 1 1 SET / SLATE	A	PT-MONTEGO	PART
OUTDOOR	91MONTENDHDW	MONT END TABLE ASSEM HDW- 1 1 SET / SLATE	A	PT-MONTEGO	PART
OUTDOOR	91MOENDHDW	MONT END TABLE ASSEM HDW- 1 1 SET / WHITE	A	PT-MONTEGO	PART
OUTDOOR	91MONTRDTHDW	MONT RD DIN TBL ASSEM HDW - 1 1 SET / SLATE	A	PT-MONTEGO	PART
OUTDOOR	91MORDTBHDW	MONT RD DIN TBL ASSEM HDW - 1 1 SET / WHITE	A	PT-MONTEGO	PART
OUTDOOR	91MONTRCTLVL	MONT RECT DIN TBL LEVELER - 8 SET OF 8 / SLATE	A	PT-MONTEGO	PART
OUTDOOR	91MORTTBLEV	MONT RECT DIN TBL LEVELER - 8 SET OF 8 / WHITE	A	PT-MONTEGO	PART
OUTDOOR	91MONTRCTHDW	MONT RECT DINTBL ASSEM HDW - 1 1 SET / SLATE	A	PT-MONTEGO	PART
OUTDOOR	91MORTTBHDW	MONT RECT DINTBL ASSEM HDW - 1 1 SET / WHITE	A	PT-MONTEGO	PART
OUTDOOR	91MOCNTHDW	MONT TBL ASSEM HDW - 1 1 SET / WHITE	A	PT-MONTEGO	PART
OUTDOOR	91MOUMBCAP	MONT UMBRELLA CAP - 1 WHITE	A	PT-MONTEGO	PART
OUTDOOR	91MONTUMCAP	MONT UMBRELLA CAP - 1 SLATE	A	PT-MONTEGO	PART
OUTDOOR	91MONTDALVL	MONT/CANYON LEVELER - 4 ALL STYLES / SLATE	A	PT-MONTEGO	PART
OUTDOOR	91MOETLEV	MONTEGO LEVELER - 4 SET OF 4 / WHITE	A	PT-MONTEGO	PART
OUTDOOR	91MONTBCLVL	MONTEGO LEVELER - 4 SET OF 4	T	PT-MONTEGO	PART
OUTDOOR	91MONTSC	MONTEGO SECT CONNECT - 2 SET OF 2	A	PT-MONTEGO	PART
OUTDOOR	91MTDBIFT	MONTAUK SEATING DB I FOOT - 1 ALL SEAT STYLES / DRY BARK	A	PT-MONTK	PART
OUTDOOR	91MTDBLFT	MONTAUK SEATING DB L FOOT - 1 ALL SEAT STYLES / DRY BARK	A	PT-MONTK	PART
OUTDOOR	91MTVGIFT	MONTAUK SEATING VG I FOOT - 1 ALL SEAT STYLES / VISTA GREY	A	PT-MONTK	PART
OUTDOOR	91MTVGLFT	MONTAUK SEATING VG L FOOT - 1 ALL SEAT STYLES / VISTA GREY	A	PT-MONTK	PART
OUTDOOR	91MTWNIFT	MONTAUK SEATING WN I FOOT - 1 ALL SEAT STYLES /WN	A	PT-MONTK	
OUTDOOR	91MTWNLFT	MONTAUK SEATING WN L FOOT - 1 ALL SEAT STYLES / WN	A	PT-MONTK	
OUTDOOR	91MTALLFINSC	MONTAUK SECT CONNECT - 1 ALL FINISHES	A	PT-MONTK	PART
OUTDOOR	91MTSTLF	MONTAUK STOR L FEET - 4 SET OF 4 / ALL FINISHES	A	PT-MONTK	
OUTDOOR	91MTSWDAM	MONTAUK SW DA CH MECH - 1 ALL FINISHES	A	PT-MONTK	PART
OUTDOOR	91MTSWLNGM	MONTAUK SW LNGCH ROLL MECH - 1 ALL FINISHES	A	PT-MONTK	PART

Super Category	Product ID	Description	Stat	Collection	Route
OUTDOOR	91MNTRYLVL	MONTEREY SF LEVELER - 8 SET OF 9	A	PT-MONTRY	PART
OUTDOOR	91NAXGD	NAX GLIDE - 4 SET OF 4- ED/COF/PL	A	PT-NAXOS	PART
OUTDOOR	91NAXCNT	NAX PLF CONNECTOR - 2 SET OF 2 - PLF	A	PT-NAXOS	PART
OUTDOOR	91NAXBLT	NAX PLYBR BLT - 4 SET OF 4- PLYBR	A	PT-NAXOS	PART
OUTDOOR	91NAXRG	NAX PLYBR RING - 4 SET OF 4- PLYBR	A	PT-NAXOS	PART
OUTDOOR	91PACFPLCAP	PACIFICA PLANTER CAP - 1	T	PT-PACIFIC	PART
OUTDOOR	91PALMCHGD	PALMS LOUNGE CHAIR GLIDE - 5 SET OF 5	A	PT-PALMS	PART
OUTDOOR	91PORTSC3	PORTO/COBURN SECT CONNECT - 2 SET OF 2 / ALL FINISHES	A	PT-PORTO	PART
OUTDOOR	91REMFT	REMINGTON OD FOOT - 1	A	PT-REMOUT	PART
OUTDOOR	91REMFT	REMINGTON OD FOOT - 1	A	PT-REMOUT	PART
OUTDOOR	91REMSECCNCT	REMINGTON SECTIONAL CONT - 1 ALL COMPONENTS / STAINLESS	A	PT-REMOUT	PART
OUTDOOR	91RU66BSHDW	RUMI 66" DIN BN ASSEMHDW - 1 1 SET - ALLEN KEY/BOLTS	A	PT-RUMI	
OUTDOOR	91RURDBSHDW	RUMI 70" RD BS ASSEMHDW - 1 1 SET - ALLEN KEY/BOLTS	A	PT-RUMI	
OUTDOOR	91RURDTPHDW	RUMI 70" RD TP ASSEM HDW - 1 1 SET/25 PCS-BLT,WSH,LCK,ALLEN	A	PT-RUMI	
OUTDOOR	91RU78BSHDW	RUMI 78" RECT BS ASSEM HDW - 1 1 SET - ALLEN KEY/BOLTS	A	PT-RUMI	PART
OUTDOOR	91RU80BSHDW	RUMI 80" DIN BN ASSEMHDW - 1 1 SET - ALLEN KEY/BOLTS	A	PT-RUMI	
OUTDOOR	91RU92BSHDW	RUMI 92" RECT BS ASSEM HDW - 1 1 SET - ALLEN KEY/BOLTS	A	PT-RUMI	PART
OUTDOOR	91RUBNATTHDW	RUMI DIN BN BS SS ATTACH - 1 1 PLATE / ALL SIZES	A	PT-RUMI	
OUTDOOR	91RURDATTHDW	RUMI RD BS SS ATTACH - 1 1 PLATE / ALL SIZES	A	PT-RUMI	
OUTDOOR	91RUREATTHDW	RUMI RECT BS SS ATTACH - 1 1 PLATE / ALL SIZES	A	PT-RUMI	
OUTDOOR	91RUTOPHDW	RUMI RECTBL/BN TP ASSEMHDW - 1 1 SET/31 PCS-BLT,WSH,LCK,ALLEN	A	PT-RUMI	PART
OUTDOOR	91SAMARAHDW	SAMARA ASSEM HDW - 1 1 SET / ALL SIZES	T	PT-SAMARA	PART
OUTDOOR	91M51542UCLIP	WYATT SECTIONAL U CLIP SECTIONAL CONNECTOR	D	PT-SANJUAN	PART
OUTDOOR	91SANTASFLEG	SANTA BARBARA 81" SOFA LEG	D	PT-SANTAB	PART
OUTDOOR	91SANTACAP	SANTA BARBARA LEG CAPS - 4 SET OF 4	D	PT-SANTAB	PART
OUTDOOR	91SCHOONGLDR	SCHOONOVER GLIDER ALL STYLES	D	PT-SCHOON	PART
OUTDOOR	91SCHNGLDRBK	SCHOONOVER GLIDER BLK 4 SET OF 4/ALL STYLES/22MM BLK	T	PT-SCHOON	PART
OUTDOOR	91SCHNGLDRWH	SCHOONOVER GLIDER WHT 4 SET OF 4/ALL STYLES/22MM WH	T	PT-SCHOON	PART
OUTDOOR	91SEVSCMWH	SEVILLA SWIVEL MECH - 1 ALL FINISHES	A	PT-SEVILLA	PART
OUTDOOR	91SOROCHDW	SORRENTO END/COF ASSEMHDW - 1 4 M8 BOLTS/4 M8 WASH/1 A.KEY	A	PT-SORREN	PART
OUTDOOR	91SPINFT	SPINNAKER FOOT - 1	A	PT-SPINNKR	PART
OUTDOOR	91SPINFT	SPINNAKER FOOT - 1	A	PT-SPINNKR	PART
OUTDOOR	91STUARTCHS	STUART CHAISE HDW	D	PT-STUART	PART
OUTDOOR	70STCONTBHDW	STUART CONSOLE TBL HDW	D	PT-STUART	PART
OUTDOOR	911859DBLCHSHW	STUART DBL CHAISE HDW	D	PT-STUART	PART
OUTDOOR	70STODDNTBHW	STUART DINING TBL HDW	D	PT-STUART	PART

Super Category	Product ID	Description	Stat	Collection	Route
OUTDOOR	91STULEV	STUART LEVELER QTY 1	D	PT-STUART	PART
OUTDOOR	91TULUMDSHDW	TULUM 23" DS CH ASSEM HDW - 1 1 SET / ALL FINISHES	A	PT-TULUM	PART
OUTDOOR	91TULUMDAHDW	TULUM 26" DA CH ASSEM HDW - 1 1 SET / ALL FINISHES	A	PT-TULUM	PART
OUTDOOR	91TULUMCHHDW	TULUM 31" L CH ASSEM HDW - 1 1 SET / ALL FINISHES	A	PT-TULUM	PART
OUTDOOR	91TUL52SFHDW	TULUM 52" SOFA ASSEMHDW - 1 1 SET/ALL FINISHES	A	PT-TULUM	PART
OUTDOOR	91TLM72BNHDW	TULUM 72" DIN BN ASSEM HDW - 1 1 SET / ALL FINISHES	A	PT-TULUM	PART
OUTDOOR	91TULUMSFHDW	TULUM 73" SOFA ASSEM HDW - 1 1 SET / ALL FINISHES	A	PT-TULUM	PART
OUTDOOR	91TLM82BNHDW	TULUM 82" DIN BN ASSEM HDW - 1 1 SET / ALL FINISHES	A	PT-TULUM	PART
OUTDOOR	91TUL87SFHDW	TULUM 87" SOFA ASSEMHDW - 1 1 SET/ALL FINISHES	A	PT-TULUM	PART
OUTDOOR	91TULBARHDW	TULUM BARSTOOL ASSEMHDW - 1 1 SET/ALL FINISHES	A	PT-TULUM	PART
OUTDOOR	91TULUMCSHDW	TULUM CHAISE ASSEM HDW - 1 1 SET / ALL FINISHES	A	PT-TULUM	PART
OUTDOOR	91TULCTHDW	TULUM CNTSTOOL ASSEMHDW - 1 1 SET/ALL FINISHES	A	PT-TULUM	PART
OUTDOOR	91TULUMGD	TULUM SF/BS/CS/STL GLIDE - 4 SET OF 4/25MM RD ALL SZ/FINISH	A	PT-TULUM	PART
OUTDOOR	91TLMSTLHDW	TULUM STOOL ASSEM HDW - 1 1 SET / ALL FINISHES	A	PT-TULUM	PART
OUTDOOR	91TULUMCFTP	TULUM STORAGE COF TBL TOP - 1 ALL FINISHES	A	PT-TULUM	PART
OUTDOOR	91CANTUMBLRH	10"X13 CANT UMB BLK ROT HUB SET OF 1	A	PT-UMBRELL	
OUTDOOR	91CTUMRE	10"X13 CANT UMB BRZ RIB END SET OF 2	A	PT-UMBRELL	PART
OUTDOOR	91CANTUMBRRH	10"X13 CANT UMB BRZ ROT HUB SET OF 1	A	PT-UMBRELL	PART
OUTDOOR	91CANTUMCRD	10"X13 CANT UMB CRANK CORD ALL FINISHES / 13 SQ11 SQ10 RT	A	PT-UMBRELL	PART
OUTDOOR	91CANTUMTBLT	10"X13 CANT UMB TILT BLT - 1 SET OF 1	A	PT-UMBRELL	PART
OUTDOOR	91BASELIDBLK	10"X13 UMBRELLA BLK BS LID - 1	A	PT-UMBRELL	PART
OUTDOOR	91OCTUMBLFIN	9' OCT UMB BLK FINIAL - 1 SET OF 1	A	PT-UMBRELL	PART
OUTDOOR	91CAUMBBLT	CANT UMB BOLT SET - 1 1 SET / PRE 2019 STYLE	A	PT-UMBRELL	PART
OUTDOOR	91CAUMBBLT2	CANT UMB BOLT SET - 1 1 SET / POST 2019 STYLE	A	PT-UMBRELL	PART
OUTDOOR	91CAUMBMFCA2	CANT UMB MAIN FRM CAP BRZ - 1	A	PT-UMBRELL	PART
OUTDOOR	91WYATTBSTAP	WYATT BAR STL TAPS - 1 ALL FINISHES	A	PT-WYATT	PART
OUTDOOR	91WYBARCNTGD	WYATT BAR/CNT STOOL GLIDES - 1 ALL FINISHES/1 SET OF 4 PCS	A	PT-WYATT	PART
OUTDOOR	91WYATTDATAP	WYATT DA CHAIR TAPS - 1 ALL FINISHES	A	PT-WYATT	PART
OUTDOOR	91WYDADSLEG	WYATT DA/DS 3.5" WOOD LEG - 1 ALL FINISHES	A	PT-WYATT	PART
OUTDOOR	91WYDB31CHLF	WYATT DB 31" CHAISE L FOOT - 1	A	PT-WYATT	PART
OUTDOOR	91WYDBLR36CL	WYATT DB 36" CHAISE L FOOT - 1 LEFT/RIGHT	A	PT-WYATT	PART
OUTDOOR	91WYDB56ALLF	WYATT DB 56" AL SF L FOOT - 1	A	PT-WYATT	PART
OUTDOOR	91WYDBLR60SL	WYATT DB 60" ARM SF L FOOT - 1 LEFT/RIGHT	A	PT-WYATT	PART
OUTDOOR	91WYDBACLFT	WYATT DB AL CHAIR L FOOT - 1	A	PT-WYATT	PART
OUTDOOR	91WYDBLVLFT	WYATT DB APT SF L FOOT - 1	A	PT-WYATT	PART

Super Category	Product ID	Description	Stat	Collection	Route
OUTDOOR	91WYDBACIFT	WYATT DB CRNR CHAIR L FOOT - 1	A	PT-WYATT	PART
OUTDOOR	91WYDBSFIFT	WYATT DB I FOOT - 1 SOFA AND APT SOFA	A	PT-WYATT	PART
OUTDOOR	91WYDBOTLFT	WYATT DB OTTOMAN L FOOT - 1	A	PT-WYATT	PART
OUTDOOR	91WYDBSFLFT	WYATT DB SF L FOOT - 1	A	PT-WYATT	PART
OUTDOOR	91WYDBSTBNLF	WYATT DB STOR BNCH L FOOT - 1	A	PT-WYATT	PART
OUTDOOR	91WYDC31CHLF	WYATT DC 31" CHAISE L FOOT - 1	A	PT-WYATT	PART
OUTDOOR	91WYDCLR36CL	WYATT DC 36" CHAISE L FOOT - 1 LEFT/RIGHT	A	PT-WYATT	PART
OUTDOOR	91WYDCLR60SL	WYATT DC 60" ARM SF L FOOT - 1 LEFT/RIGHT	A	PT-WYATT	PART
OUTDOOR	91WYDCLVLFT	WYATT DC APT SF L FOOT - 1	A	PT-WYATT	PART
OUTDOOR	91WYDCACIFT	WYATT DC CRNR CHAIR L FOOT - 1	A	PT-WYATT	PART
OUTDOOR	91WYDCSFIFT	WYATT DC I FOOT - 1 SOFA AND APT SOFA	A	PT-WYATT	PART
OUTDOOR	91WYDACLFT	WYATT DC L FOOT - 1 AL SOFA AND AL CHAIR	A	PT-WYATT	PART
OUTDOOR	91WYDCOTLFT	WYATT DC OTTOMAN L FOOT - 1	A	PT-WYATT	PART
OUTDOOR	91WYDCSFLFT	WYATT DC SF L FOOT - 1	A	PT-WYATT	PART
OUTDOOR	91WYDCSTBNLF	WYATT DC STOR BNCH L FOOT - 1	A	PT-WYATT	PART
OUTDOOR	91WYDBPIS	WYATT DIN BN AIRPRESSUP PISTON SET OF 1/ALL FINISHES	A	PT-WYATT	PART
OUTDOOR	91WYATTDSTAP	WYATT DS CHAIR TAPS - 1 ALL FINISHES	A	PT-WYATT	PART
OUTDOOR	91WYSECTCNCT	WYATT SECT CONNECTOR - 1 ALL FINISHES	A	PT-WYATT	PART
OUTDOOR	91WYSFIFT	WYATT SOFA FOOT I SHAPED	D	PT-WYATT	PART
OUTDOOR	91WYSFLFT	WYATT SOFA FOOT L SHAPED	D	PT-WYATT	PART
OUTDOOR	91WYSWCHMC	WYATT SWIVEL CHAIR MECH - 1 ALL FINISHES	A	PT-WYATT	PART
OUTDOOR	91M513114	WYATT SWIVEL CHAIR PLSTC FOOT PLASTIC FOOT W/ SCREW	D	PT-WYATT	PART
OUTDOOR	91WYCHSW	WYATT SWVL DA/DS MECHANISM - 1 ALL FINISHES	A	PT-WYATT	PART
OUTDOOR	91WYWG31CHLF	WYATT WG/VG 31" CHSE L FOOT -1 CHAISE	A	PT-WYATT	PART
OUTDOOR	91WYWGLR36CL	WYATT WG/VG 36" CHSE L FOOT -1 LEFT/RIGHT CHAISE	A	PT-WYATT	PART
OUTDOOR	91WYWG56ALLF	WYATT WG/VG 56" ALSF L FOOT -1	A	PT-WYATT	PART
OUTDOOR	91WYWGLR60SL	WYATT WG/VG 60" SF L FOOT - 1 LEFT/RIGHT	A	PT-WYATT	PART
OUTDOOR	91WYWGACLFT	WYATT WG/VG AL CH L FOOT - 1	A	PT-WYATT	PART
OUTDOOR	91WYWGLVIFT	WYATT WG/VG APT SF I FOOT - 1	A	PT-WYATT	PART
OUTDOOR	91WYWGLVLFT	WYATT WG/VG APT SF L FOOT - 1	A	PT-WYATT	PART
OUTDOOR	91WYWGACIFT	WYATT WG/VG CRNR CH L FOOT - 1	A	PT-WYATT	PART
OUTDOOR	91WYWGOTLFT	WYATT WG/VG OTTOMAN L FOOT - 1	A	PT-WYATT	PART
OUTDOOR	91WYWGSFIFT	WYATT WG/VG SF I FOOT - 1	A	PT-WYATT	PART
OUTDOOR	91WYWGSFLFT	WYATT WG/VG SF L FOOT - 1	A	PT-WYATT	PART
OUTDOOR	91WYWGSTBNLF	WYATT WG/VG STG BNCH L FOOT -1	A	PT-WYATT	PART