

# ARHAUS®

your home

# FIRE PITS

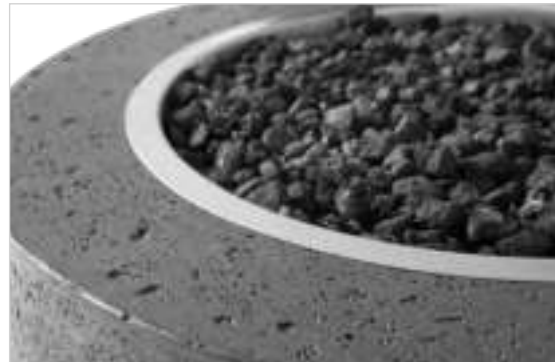
OUTDOOR COLLECTION | MADE IN CHINA



## BRING WELCOMING WARMTH AND AMBIANCE TO YOUR OUTDOOR SPACES

Sleek and stylish, our Fire Pit Collection lends contemporary styling to any patio or poolside, with functional durability to last season after season.

With a variety of designs, shapes, and burn options to choose from, we have the fire pit that's perfect for you and your space.



### CUSTOM-FIT OUTDOOR FURNITURE COVERS

Protect your furnishings with resilient Sur Last® covers—specifically tailored to fit Arhaus outdoor collections. Speak to a design consultant for details



## GEL FUEL & FIREWOOD FIRE PITS

Sleek, modern, and easy to use—with no hookup to propane or gas lines needed. Handcrafted from heat-resistant glass-fiber-reinforced concrete, simply use firewood or disposable gel fuel canisters to gather around these fire pits for hours.

### PRODUCT DETAILS

- + Fire pit bases are handcrafted from heat-resistant glass-fiber-reinforced concrete.
- + Log fire pits are molded using real logs for an authentic appearance.
- + Fire pits feature stainless steel grates with holes to secure 3.5" diameter x 4" h gel fuel canisters.
- + Firewood can be placed on top of grates, over tray inserts.
- + Decorative lava rocks are included to fill negative space in tray inserts.
- + Fire pits feature holes for natural drainage and ventilation.
- + We recommend using with Sunjel Gel Fuel Canisters (not included).
- + Keep your décor looking its best. Visit [arhaus.com](http://arhaus.com) or speak to any Arhaus Design Consultant for care recommendations.

### MATERIALS:



Grey Concrete



Light Grey Concrete



Light Grey Log



Natural Log

# ARHAUS®

your home

# FIRE PITS

OUTDOOR COLLECTION | MADE IN CHINA

GEL FUEL & FIREWOOD FIRE PITS

---



## 53" RECTANGULAR FIRE PIT

53" w x 30" d x 13" h;

39.75" w x 16.125" d x 5" h stainless steel pan

Grey Concrete 70FPITGRYRC2

Light Grey Concrete 70FR53CNLG2

Light Grey Log 70FR53LGLG2

Natural Log 70FPITLONAR2



## 36" ROUND FIRE PIT

36.5" diameter x 19.5" h;

29.75" diameter stainless steel pan

Grey Concrete 70FRDCNGR2



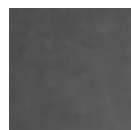
## PROPANE & NATURAL GAS FIRE PITS

Our Propane and Natural Gas Fire Pits are both eye-catching and incredibly durable. Artisan crafted from heat-resistant glass-fiber-reinforced concrete for a modern look, each fire pit is accented by a subtle textural finish that showcases natural variations in pattern and detail.

### PRODUCT DETAILS

- + Fire pit bases are handcrafted from heat-resistant glass fiber-reinforced concrete.
- + Each piece is poured into a cast and carefully hand-finished by artisans, resulting in subtly textured surfaces.
- + Concrete surfaces develop a unique patina as they're exposed to the elements. Variations in this finish will enhance the look of your piece, making it truly one-of-a-kind.
- + Decorative lava rocks are included to fill negative space in tray inserts.
- + Pans and ring burners are constructed of stainless steel and are covered under a one year manufacturer's warranty under normal use.
- + Burners feature an electrical ignition system with adjustable flame control.
- + Propane Fire Pits attach to a standard 20 lb. propane tank and come with a commercial-grade connector hose.
- + Propane tank will be exposed unless a tank cover is purchased separately.
- + Estimated burn time on highest setting is 8 hours.
- + 55,000 BTU rating.
- + Natural Gas Fire Pits come with a natural gas conversion kit and commercial-grade connector hose.
- + Natural gas must be installed by licensed professional.
- + Suitable for outdoor use only.
- + Burners are not certified for outdoor cooking.
- + Our Propane and Natural Gas Fire Pits are CSA-Certified, meaning they have been tested against North American safety requirements.
- + Keep your décor looking its best. Visit [arhaus.com](http://arhaus.com) or speak to any Arhaus Design Consultant for care recommendations.

### MATERIALS:



Grey  
Concrete



Light Grey  
Concrete



Light Grey Log



Natural Log



## PROPANE & NATURAL GAS FIRE PITS



### 29" SQUARE FIRE PIT

29" w x 29" d x 15.25" h;  
 21" w x 21" d stainless steel pan  
 47" hose connector included  
 Propane 70FPITPPSQC  
 Natural Gas 70FPITNGSQCK  
*Includes a 3.9' hose.*



### 38" ROUND FIRE PIT

38" diameter x 15.25" h;  
 29.5" w x 29.5" d stainless steel pan  
 121" hose connector included  
 Propane 70FPITPPRDC  
 Natural Gas 70FPITNGRDCK  
*Include a 9.8' hose.*



### 55" X 35" FIRE PIT

55" w x 35" d x 13.25" h;  
 38" w x 14" d stainless steel pan  
 123" hose connector included  
 Propane 70FPITPPRTC  
 Natural Gas 70FPITNGRTCK  
*Includes a 9.8' hose.*



### FIRE PIT TANK COVER

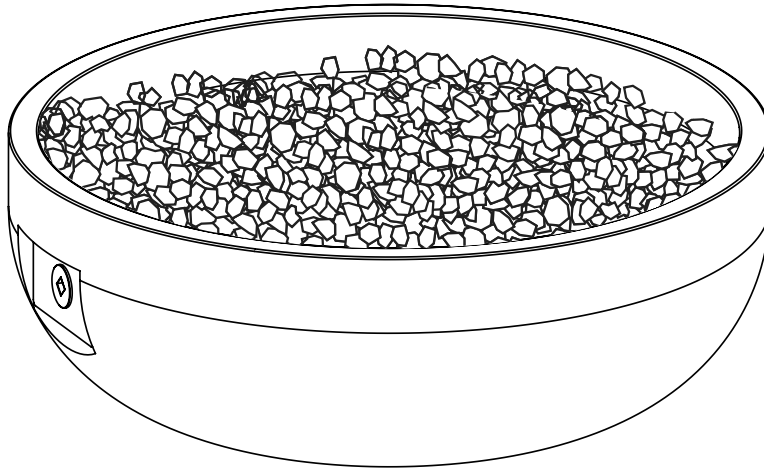
22" diameter x 26" h  
 70FPITTKCVR2

IMAGE NOT  
 AVAILABLE

### FIRE PIT NATURAL GAS CONVERSION KIT

29" Square 70FPITNGCK  
 55" x 35" Rectangle 70FPITNGCK2  
 38" Round 70FPITNGCK2

# ARHAUS®



## Carson Round Propane Firepit

### **⚠ DANGER**

#### **CARBON MONOXIDE HAZARD**

This appliance can produce carbon monoxide which has no odor. Using it in an enclosed space can kill you.

Never use this appliance in an enclosed space such as a camper, tent, car or home.



### **⚠ DANGER**

#### **FIRE OR EXPLOSION HAZARD**

If you smell gas:

- Shut off gas to the appliance.
- Extinguish any open flame.
- If odor continues, leave the area immediately.
- After leaving the area, call your gas supplier or fire department. Failure to follow these instructions could result in fire or explosion, which could cause property damage, personal injury, or death.

### **⚠ WARNING: FOR OUTDOOR USE ONLY.**

Installation and service must be performed by a qualified installer, service agency, or the gas supplier.

**INSTALLER:** Leave this manual with the appliance.

**CONSUMER:** Retain this manual for future reference.

**⚠ WARNING:** If the information in this manual is not followed exactly, a fire or explosion may result causing property damage, serious injury, or loss of life.

**⚠ WARNING:** Do not store or use gasoline or other flammable vapors and liquids in the vicinity of this or any other appliance.

An LP gas tank not connected for use shall not be stored in the vicinity of this or any other appliance.

# TABLE OF CONTENTS

Important Safety Information	3
Propane (LP) Gas Dangers and Warnings	6
Parts List	7
Assembly Instructions	8
Pre-Use Instructions	10
Lighting Instructions	11
Care and Cleaning	12
Spider and Insect Warning	13
Tips and Troubleshooting	14
Technical Parts List	16

**⚠ DANGER • FLAMMABLE GAS UNDER PRESSURE.**  
**LEAKING LP-GAS MAY CAUSE A FIRE OR EXPLOSION IF IGNITED**  
**CAUSING PROPERTY DAMAGE, BODILY INJURY OR DEATH.**  
**CONTACT LP GAS SUPPLIER FOR REPAIRS OR DISPOSAL OF THIS**  
**CYLINDER OR UNUSED LP-GAS.**

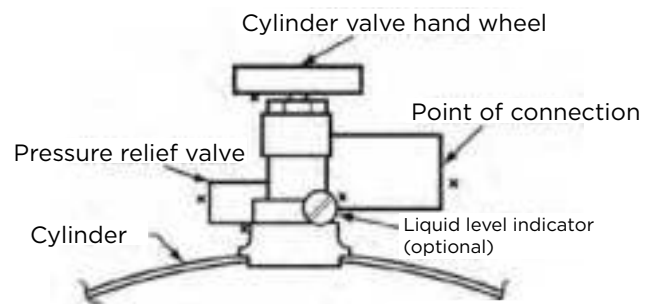
**⚠ WARNING • FOR OUTDOOR USE ONLY.**  
**DO NOT USE OR STORE CYLINDER IN A BUILDING,**  
**GARAGE OR ENCLOSED AREA.**

**⚠ WARNING:**

- Know the odor of LP-gas. If you hear, see or smell leaking LP-gas, immediately move everyone away from the cylinder and call the Fire Department. Do not attempt repairs.
- Caution your LP-gas supplier to:
  - Be certain cylinder is purged of trapped air prior to first filling.
  - Be certain not to over fill the cylinder.
  - Be certain cylinder requalification date is checked.
- LP-gas is heavier than air and may settle in low places while dissipating.
- Contact with the liquid contents of cylinder will cause freeze burns to the skin.
- Do not allow children to tamper or play with cylinder.
- When not connected for use, keep cylinder valve turned off. Self contained appliances shall be limited to a cylinder of 30 lb capacity or less.
- Do not use, store or transport cylinder where it would be exposed to high temperatures. Relief valve may open allowing a large amount of flammable gas to escape.
- When transporting, keep cylinder secured in an upright position with cylinder valve turned off.

**WHEN CONNECTING FOR USE:**

- Use only in compliance with applicable codes.
- Read and follow manufacturer's instructions.
- Consult manufacturer's instructions concerning the cylinder connection provided with your appliance.
- Be sure regulator vent is not pointing up.
- Turn off all valves on the appliance.
- Do not check for gas leaks with a match or open flame. Apply soapy water at areas marked "X". Open cylinder valve. If bubble appears, close valve and have LP-gas service person make needed repairs. Also, check appliance valves and connections to make sure they do not leak before lighting appliance.
- Light appliance(s) following manufacturer's instructions.
- When appliance is not in use, keep the cylinder valve closed.



**DO NOT REMOVE, DEFACE OR OBLITERATE THIS LABEL**  
**EXCEPT AS AUTHORIZED BY ANSI/NFPA 58.**

**⚠ DANGER.** Do not store a spare LP cylinder under or near a barbecue grill or other heat sources.  
**NEVER** fill an LP cylinder beyond 80% full: a fire causing property damage, serious injury or death may occur.

# IMPORTANT SAFETY INFORMATION

## General Warnings

---

- **Children and adults should be alerted to the hazards of high surface temperatures and should stay away to avoid burns or clothing ignition.**
- **Children should be carefully supervised when in the area of the fireplace.**
- **Clothing or other flammable materials should not be hung from the fireplace or placed on or near the fireplace.**
- **Any guard or other protective device removed for servicing the fireplace must be replaced prior to operating the fireplace.**
- **Installation and service must be performed by a qualified service agency or gas supplier.**
- **More frequent cleaning may be required as necessary. It is imperative that the control compartment, burners, and circulating air passageways of the appliance are kept clean.**
- Do not store or use gasoline or other flammable vapors or liquids within 25 feet (7.62 m) of this fireplace or any other appliance.
- Do not store combustible materials in the fireplace enclosure. This includes LP gas tanks. If the fireplace is designed to use a hidden LP gas tank, the LP gas tank should be properly secured in the designated tank holder under the fireplace. Do not store extra LP gas tanks under the fireplace.
- Be sure to protect the hose and its components from any hot surfaces. It is dangerous to allow the hose to come into contact with any hot surface.
- The LP gas tank should never be operated or stored on its side or upside down.
- Keep all parts of the fireplace clean including the burner and hose assembly. For more information on cleaning your fireplace please refer to the “Care and Cleaning” section of this manual.
- Do not use this fireplace if any part has been under water. Immediately call a qualified service technician to inspect the fireplace and replace any part of the system that has been under water.
- Do not use this fireplace for cooking.
- Do not pour water into the fireplace.
- Do not attempt to move or store this fireplace until all parts are cool.
- Always shut off the gas supply at the source and disconnect the hose when the fireplace is not in use.
- Any alteration of this fireplace that is not specifically directed in the owner’s manual will void the manufacturer’s warranty. This includes the use of unapproved filler materials.

# IMPORTANT SAFETY INFORMATION

## Installation Warnings

---

- Minimum clearance from the fireplace to combustible materials is 48 inches (121.9 cm) on all sides. Do not place this fireplace under any overhead structure or vegetation.
- The normal LP inlet pressure for this fireplace is 11.0" W.C. (2.74 kPa). Maximum inlet pressure is 13.0" W.C. (3.23 kPa). Minimum inlet pressure is 11.0" W.C. (2.74 kPa).
- Do not remove the feet from this fireplace.
- Do not place the fireplace on anything that blocks or seals the gap between the fireplace and the ground.
- Do not permanently secure the fireplace in any way or to any surfaces.
- Do not bury the hose. You must be able to visually inspect the hose for damage before each use.
- The hose could be damaged if it touches hot surfaces.

## Set Up Warnings

---

- Prior to each operation, check the hose assembly for evidence of excessive abrasion, wear or damage. Use a handheld mirror, if necessary, to see the hose sections located below the unit.
- If the hose assembly is damaged, cracked, or cut, it must be replaced before using the fireplace.
- Place the hose out of the pathways where people may trip over it. Do not place the hose in areas where it may be accidentally damaged.
- Before each use, examine the burner and its components for dirt and debris. If cleaning is required, use a pipe cleaning brush and compressed air. Also examine the area around the burner. Any dirt or foreign material, such as spider webs, nests, leaves, etc., should be removed. If it is evident that the burner is damaged, the fireplace must not be used, and the burner assembly must be replaced.

## In-Use Warnings

---

- NEVER LEAVE this fireplace unattended when in use.
- Do not burn solid fuels, such as charcoal briquettes, lump charcoal, manufactured logs, trash, leaves, paper, cardboard, any type of natural or treated wood, or any other materials in this fireplace.
- The use of alcohol, prescription or non-prescription drugs may impair your ability to safely operate this fireplace.
- Always use in accordance with all applicable local, state, and national codes. Contact your local fire department for details on outdoor burning.
- Do not use in windy conditions. Winds above 10 mph (16.09 kph) may cause the flame to extinguish.
- Some surfaces of this fireplace may become hot during use. Be careful and do not touch surfaces until the unit has cooled.
- Do not attempt to disconnect the gas supply from the fireplace when the unit is in use.
- Do not sit on the fireplace.

# PROPANE (LP) GAS DANGERS AND WARNINGS

## **⚠ WARNING**

LP gas is flammable and hazardous if handled improperly. Become aware of its characteristics before using any LP gas product. Failure to understand and follow these warnings or any directions and warnings provided by your LP gas supplier may result in property damage, serious injury, or death.

## **⚠ DANGER**

An LP gas tank should never be placed on its side. Doing so may cause liquid propane to leak. This could cause a fast buildup of LP gas and could lead to property damage, serious injury, or death.

## **LP Gas Characteristics**

---

- LP gas is flammable, explosive under pressure, heavier than air and settles in pools in low areas. Pooled gas may ignite causing a fire or explosion which could cause property damage, serious injury, or death.
- In its natural state, LP gas has no odor. For your safety, a scent has been added.
- Contact with LP gas could burn your skin.

## **LP Gas Tank Information**

---

- LP gas tanks should be filled only by a certified LP gas dealer.
- Never use an LP gas tank with a damaged body, valve, collar or footing.
- Dented or rusted LP tanks may be hazardous and should be checked by your LP gas supplier.
- The LP gas supply tank must be constructed and marked in accordance with *The Specifications for LP Gas Tanks of The U.S. Department of Transportation (DOT) or The National Standard of Canada, CAN/CSA-B339, LP Gas Tanks, Spheres and Tubes for The Transportation of Dangerous Goods; and Commission.*
- LP gas tanks must be arranged for vapor withdrawal.
- LP gas tanks must have a listed overfilling prevention device (OPD) and a QCCI or Type I (CGA810) LP gas tank connection.
- The LP gas tank must contain a shut-off valve as specified in *The Standard for Compressed Gas Cylinder Valve Outlet and Inlet Connection, ANSI/CGA-V-1-1977, CSA B96.*
- Never attempt to attach this fireplace to the self-contained LP gas system of a camper, trailer, motor home or house.
- Hand-turn the manual gas control valve on your LP gas tank. Never use tools. If the valve will not turn by hand, do not try to repair it. Call a certified gas technician.
- The use of force or any attempt at amateur repair may cause a fire or explosion.

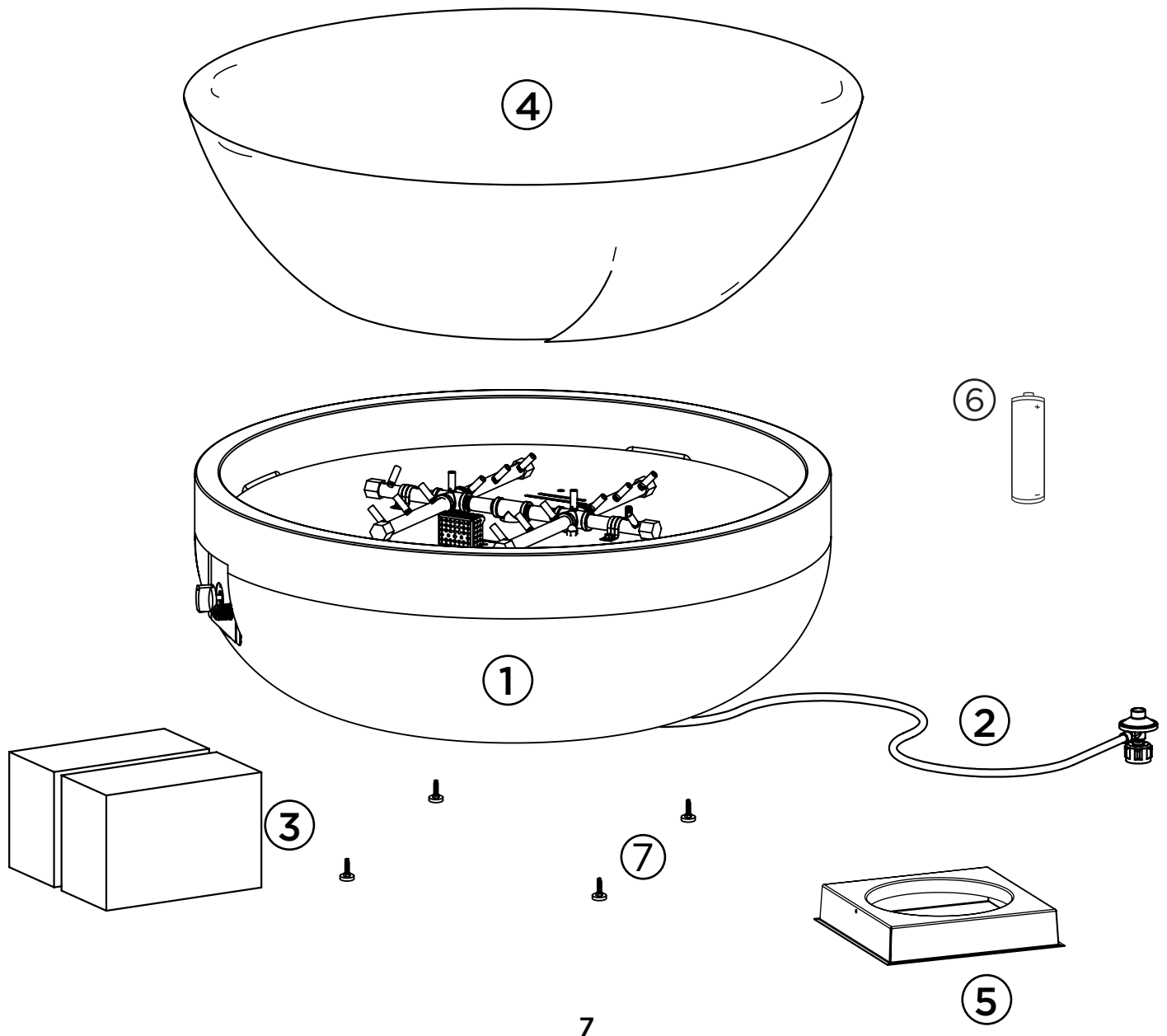
## **LP Gas Tank Storage and Safety**

---

- LP gas tanks must be stored upright and outdoors in a well-ventilated area out of reach of children.
- Never store an LP gas tank in an enclosed area, such as a shed or garage. Leaking gas could build up in these areas and may result in an explosion.
- Do not store LP gas tanks near any source of flame or ignition.
- Never store an LP gas tank in direct sunlight or where temperatures can reach 125°F (51.67°C) or higher.
- Never keep a filled LP gas tank in a hot car or car trunk. Heat will cause the gas pressure to increase, which may open the relief valve and allow gas to escape.
- Place the dust cap on the LP gas tank valve outlet when the LP gas is not in use. Only use the dust cap that is provided with the LP gas tank. Other types of caps or plugs may result in leakage of LP gas.
- The LP gas tank should not be dropped or handled roughly.

# PARTS LIST

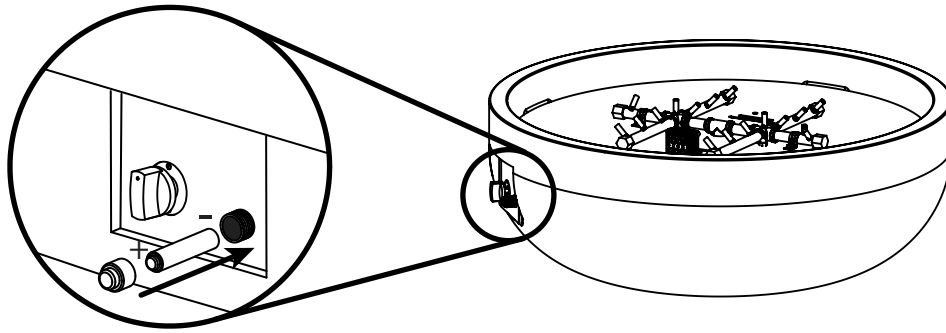
ITEM	QUANTITY
① Fire Bowl Body	1
② LP Hose and Regulator	1
③ Black Lava Rock	1
④ Protective Cover	1
⑤ Tank Seat	1
⑥ AA Battery	1
⑦ Adjustable Feet	4





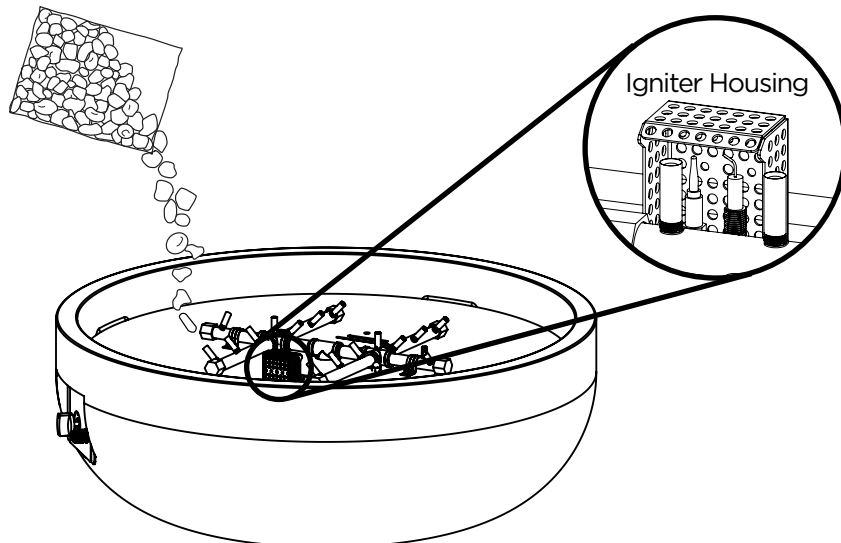
# ASSEMBLY INSTRUCTIONS

1. Install the AA battery as shown in the diagram below.



2. Place the filler material into the burner pan by hand. To avoid clogging the burner with dust do not dump the bag into the burner pan. Position the filler across the burner pan to a level that is .5 inches (1.27 cm) above the burner tube. Make sure you do not block the igniter housing with the filler material to ensure proper ignition and operation.

If using glass filler, place a layer of lava rock in the burner pan to improve airflow.



## **⚠ WARNING**

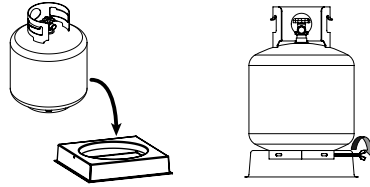
Failure to position the filler in accordance with these diagrams or failure to use only filler specifically approved with this appliance may result in property damage or personal injury.

### **Filler Material Warning**

- Do not overfill the burner area with rock or glass filler; use only the specified amount. The depth of the filler should not be more than .5 inches (1.27 cm) above the burner tube. Using other filler material may result in increased popping and cracking or increased carbon monoxide emissions.
- Do not light or use this fireplace if the filler is wet. Ensure filler is completely dry before lighting. Intense heat can cause wet filler to explode and hit someone causing property damage, serious injury, or death.
- Keep away from the fireplace for at least 20 minutes during initial start-up as filler could retain moisture from manufacturing and shipping.

# ASSEMBLY INSTRUCTIONS

- Place the tank seat on the ground and place a 20 lb LP gas tank into the designated area in the center. Once the tank is level and steady, tighten down the screw on the side of the tank seat to secure the tank in place.



### 3. Connect the LP Gas Tank

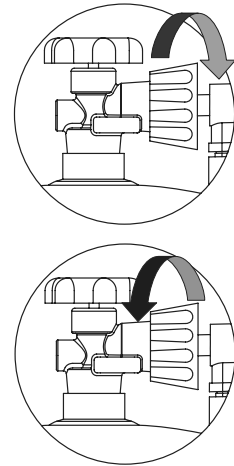
Before connection, be sure there is no debris caught in the collar of the LP gas tank, the regulator valve, the burner tube, or the burner ports.

Connect the gas line to the tank by turning the connection knob clockwise. Hand-tighten only.

#### Disconnect the LP Gas Tank

To disconnect the LP gas tank, make sure the valve on the LP gas tank is completely closed.

Disconnect the connection knob by turning it counterclockwise until it is detached from the valve.

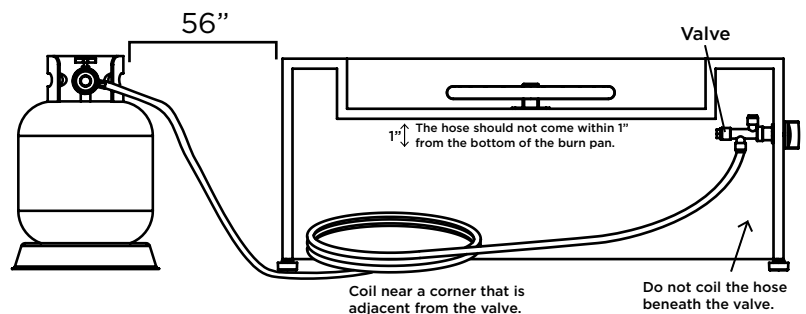


- If you wish to enclose your LP tank in a decorative tank cover, Any enclosure used must have a 0.5" (1.27 cm) air gap around the entire base AND at least two 7" x 1.5" openings located on two different sides of the enclosure. These openings must be within 5" of the top of the enclosure. If the propane tank leaks, these ventilation openings will allow the enclosure to vent. Not having the proper ventilation could result in property damage, personal injury or death.

## ⚠ WARNING

If the table is installed with a portion of the hose under the table, the hose must be secured, so that no part of the hose will be within 1" or come in contact with the underside of the burn pan or where the hose will not be accidentally damaged or pinched.

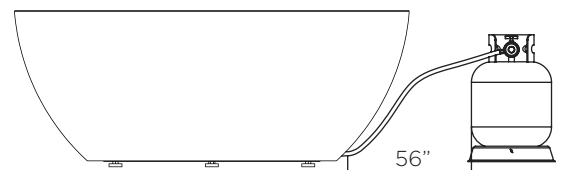
Failure to secure the hose in a safe location may result in a gas leak that could cause property damage, injury, or death. Follow all other hose inspection instructions listed in this manual.



## ⚠ WARNING

Place the LP gas tank 56 inches (142.2 cm) away from the fireplace and position the hose away from pathways or places where it could become damaged.

Watch your step while moving between the tank and the fireplace. Be careful not to trip on the hose.



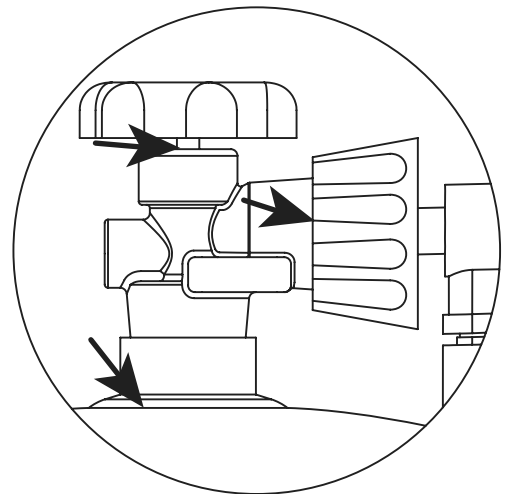
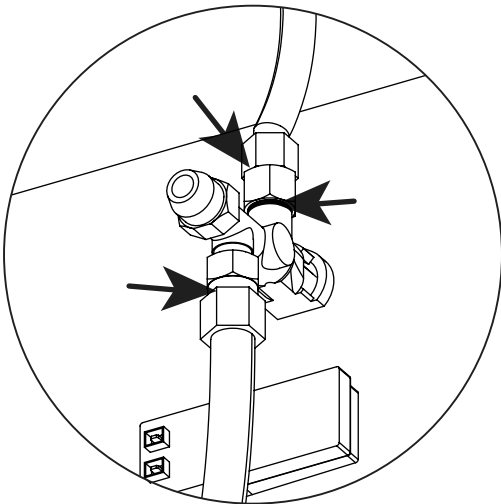
# PRE-USE INSTRUCTIONS

## **⚠ WARNING**

Before using this fireplace, make sure you have read, understand, and are following all information provided in this manual. Failure to follow these instructions could cause property damage, serious injury, or death.

## Checking for Leaks

1. Make a leak check solution by mixing 1 part dishwashing soap with 3 parts water in a spray bottle.
2. Make sure the control knob on the fireplace is in the “OFF” position, then connect your fireplace to the LP gas tank and turn the tank’s valve on.
3. Spray the leak solution on the valve connections, paying particular attention to the areas indicated by arrows in the diagrams below.
4. If bubbles appear, turn the LP gas tank off, disconnect the tank, and inspect all connections, making sure threads are clear of debris. Reconnect the LP gas tank and retest. If you continue to see bubbles, turn the LP gas tank off. Disconnect the hose.
5. If no bubbles appear after 1 minute, wipe away excess leak solution and proceed to “Lighting Instructions.”

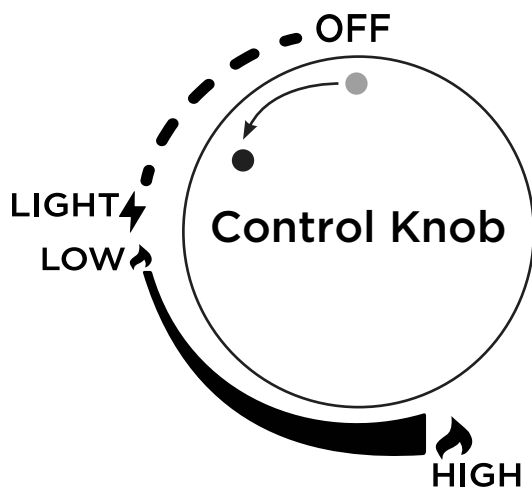
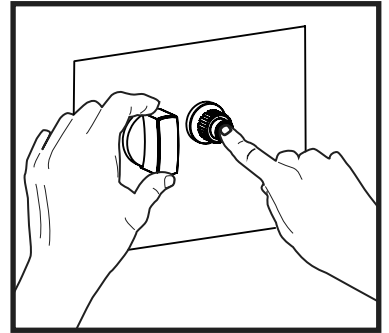


**Pay close attention to the areas indicated by the arrows.**

# LIGHTING INSTRUCTIONS

## Using the Igniter

1. Read and understand all operating instructions before lighting.
2. Before beginning, make sure the control knob is in the “OFF” position.
3. Connect your LP gas tank (see previous pages).
4. Slowly open the valve on your LP gas tank.
5. Prepare to ignite your fireplace by placing one hand on the control knob and one hand on the igniter button (see diagram). **DO NOT** lean over any part of the burner. Verify that the area around the burner is free of hazards.
6. Push and hold the igniter button. You should hear a clicking sound.
7. While keeping the ignition button depressed, use your other hand to push in and turn the control knob counterclockwise to the “LIGHT” position.
8. Once the burner ignites, release the igniter button, but continue to keep the control knob pushed in for 15-30 seconds.  
**WARNING:** If ignition does not occur in 30 seconds, turn the control knob to the “OFF” position and turn the gas off at its source. Make sure there is no source of ignition around the fireplace and wait at least 5 minutes until the gas has cleared to repeat the lighting procedure. Failure to do so could result in a large flashback of pooled gas, causing property damage, serious injury, or death.
9. After successfully lighting the fireplace, release the control knob and turn it to the “LOW” setting. Observe the flame and make sure that all the burner ports are lit.
10. Adjust the flame to the desired height using the control knob.



## Flame Height



8-14" (20.3-35.5 cm)
-------------------------

## Shut-Off Instructions

1. Turn the control knob to the “OFF” position.
2. Close the valve on the LP gas tank to shut off gas flow.

# CARE AND CLEANING

## Inspecting Your Fireplace

---

### **⚠ WARNING**

DO NOT inspect, clean, move or store your fireplace until the flames are COMPLETELY out and all parts are cool to the touch.

Your fireplace should be inspected regularly to ensure that it is safe to use and to extend the life of its parts.

### **Inspect your fireplace:**

1. Make sure all parts are securely fastened in place. If a part moves when touched, check its connection points to see if they are loose.
2. Check all connections for leaks using the method described in the “Checking for Leaks” section of this manual.
3. Visually check all components for any signs of damage, rust, or excessive wear.
4. If damage or leaks of any kind are found. DO NOT operate the fireplace until the proper repairs have been made.

## General Care and Cleaning

After repeated use, a slight discoloration or weathering of the fireplace finish may occur. Your fireplace should be cleaned regularly to ensure safe use and extend its life.

### **General Cleaning**

Make a cleaning solution using a mild soap mixed with water. Use a soft cloth to wipe down exterior surfaces and rinse with clean water. Never use oven cleaners or abrasive solvents as these will damage the fireplace.

### **Burner**

The burner should be kept clean to ensure proper operation. Clogged burner ports may be cleared with a paper clip or pin. Debris in the burner tube can be cleaned using compressed air or a pipe cleaning brush.

### **Soot**

After use it is possible for soot to develop on some surfaces. This soot deposit will usually come off with water and mild soap.

## Storage

---

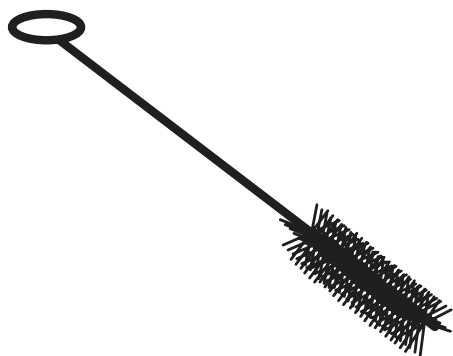
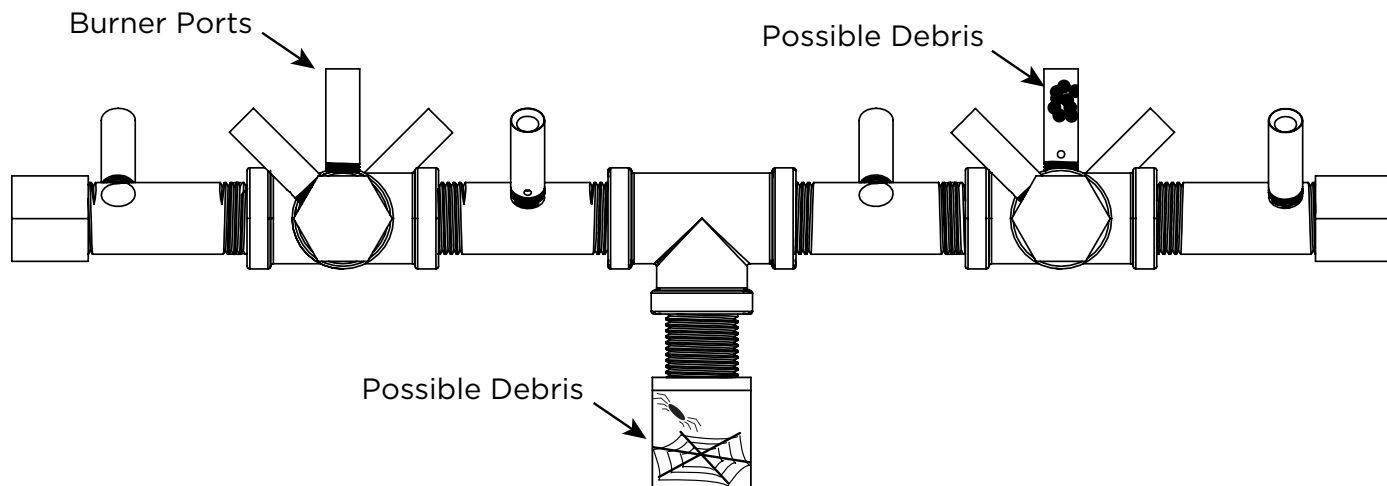
1. Turn the LP gas supply off at the tank. Remove the LP gas tank and store it in a cool, dry location, outside and away from children.
2. Secure all loose filler material or parts.
3. Cover the fireplace when not in use and do not allow water to pool on the cover surface. Covering the fireplace will help to protect the internal components from dirt and debris and prevent the finish from fading.
4. Store the fireplace in a cool, dry location away from children and pets.

# SPIDER AND INSECT WARNING

Spiders or other insects may build webs or nests in your fireplace burner tube which can obstruct or block the flow of gas.

Some of the gas may back up in the burner tube and cause a flashback (a fire in the burner tube or underneath the fireplace), which could result in property damage, serious injury, or death. Check and clean the burner tube periodically using a pipe cleaning brush (shown below) and compressed air available at any hardware store.

**Example of a typical burner tube.  
Your exact burner tube may vary.**

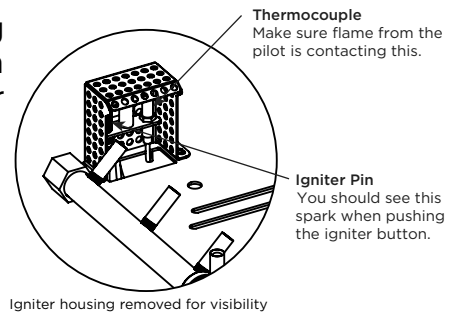


**Example of pipe cleaning  
brush available at local  
hardware store.**

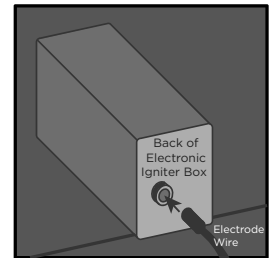
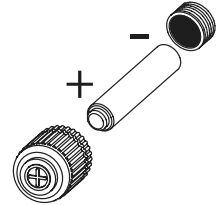
# TIPS AND TROUBLESHOOTING

## If the Fireplace Will Not Ignite

If the igniter system is working correctly, you should hear a clicking sound while the igniter button is being pushed and you should see a spark inside the igniter housing. If you do not see the spark or hear a clicking sound, please check the following:



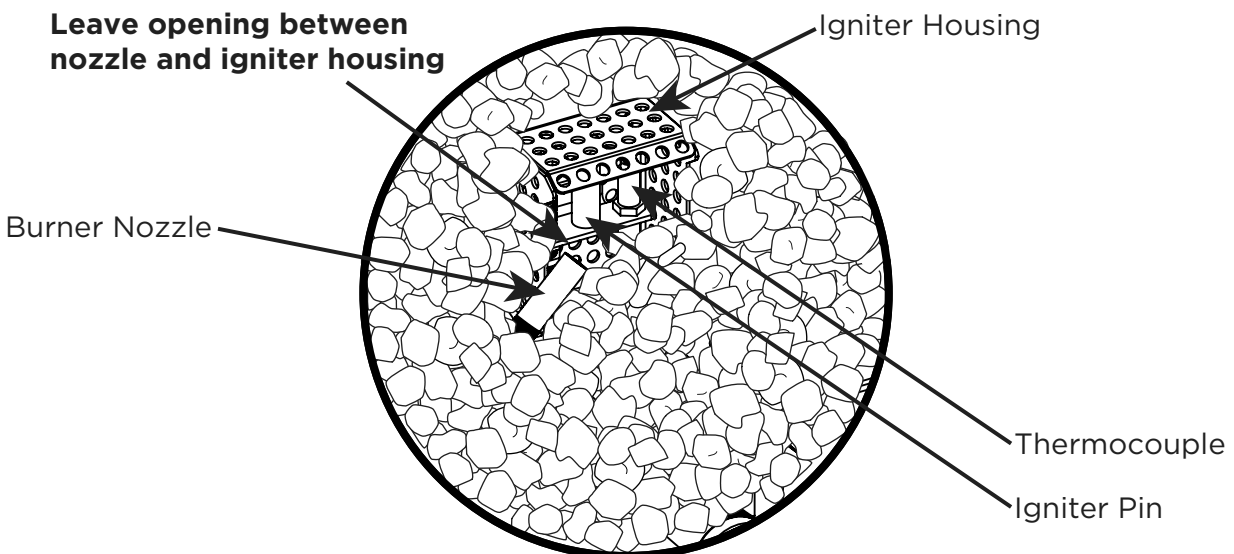
1. Make sure the battery is not dead and that it is installed correctly, with the positive (+) side facing out.
2. If you still do not hear a clicking sound or see a spark in the igniter box, look under the fireplace and make sure that the electrode wire is correctly inserted into the back of the electronic igniter box. While inspecting the electrode wire, make sure that it is not cut or broken in any place.



## If the Fireplace Will Not Stay Lit

If the fireplace lights, but will not stay lit, or remains lit only for a brief time, please check the following:

1. Make sure that the igniter housing is unobstructed. Clear away any filler material or debris on the housing and make sure there is nothing between the igniter housing and the closest nozzle.



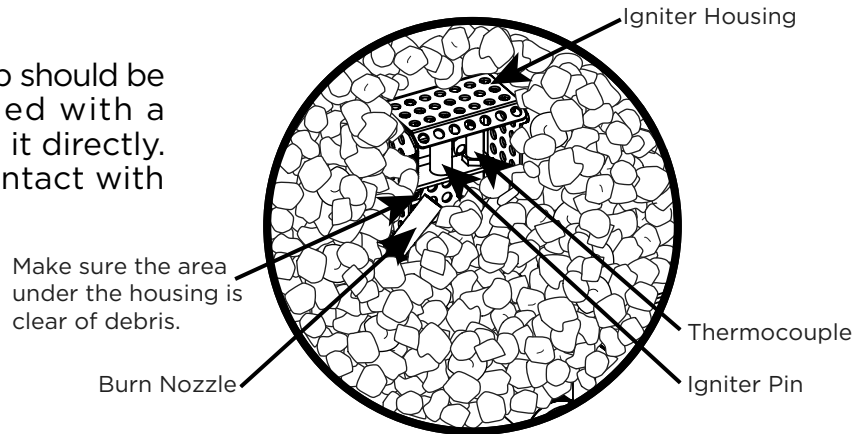
# TIPS AND TROUBLESHOOTING

## If the Fireplace Will Not Stay Lit (Cont.)

---

2. Make sure the thermocouple and igniter pin are correctly positioned.

**Thermocouple** - The thermocouple tip should be located close to the burner, aligned with a burner nozzle so that flames contact it directly. Make sure the flames are making contact with the thermocouple tip.



### Damaged Thermocouple

If the igniter housing and the thermocouple tip are clear of debris and the flame is clearly contacting the tip of the thermocouple, but the fireplace will still not stay lit, the thermocouple may be damaged. Look beneath the fireplace and find the copper thermocouple wire coming out of the back of the valve. Examine the length of it for any signs of damage. Sharp bends, kinks or damage can cause the thermocouple to not function correctly.

**Igniter Pin** - The igniter pin is where the spark is generated to ignite your fireplace. Make sure you can see this sparking when the igniter button is pushed.

## Other Common Problems

### Clogged or Obstructed Burner

---

It is common for bugs, especially spiders, to make webs or nests inside of burner tubes. If it seems like you are getting low or no gas flow, visually check all openings in the burner for signs of clogs. If you see anything clogging the burner try using a pipe cleaning brush and compressed air to remove the debris.

### Out of Gas

Be sure your LP gas tank is not empty. Low tanks can result in lower flames.

### Cold Temperatures

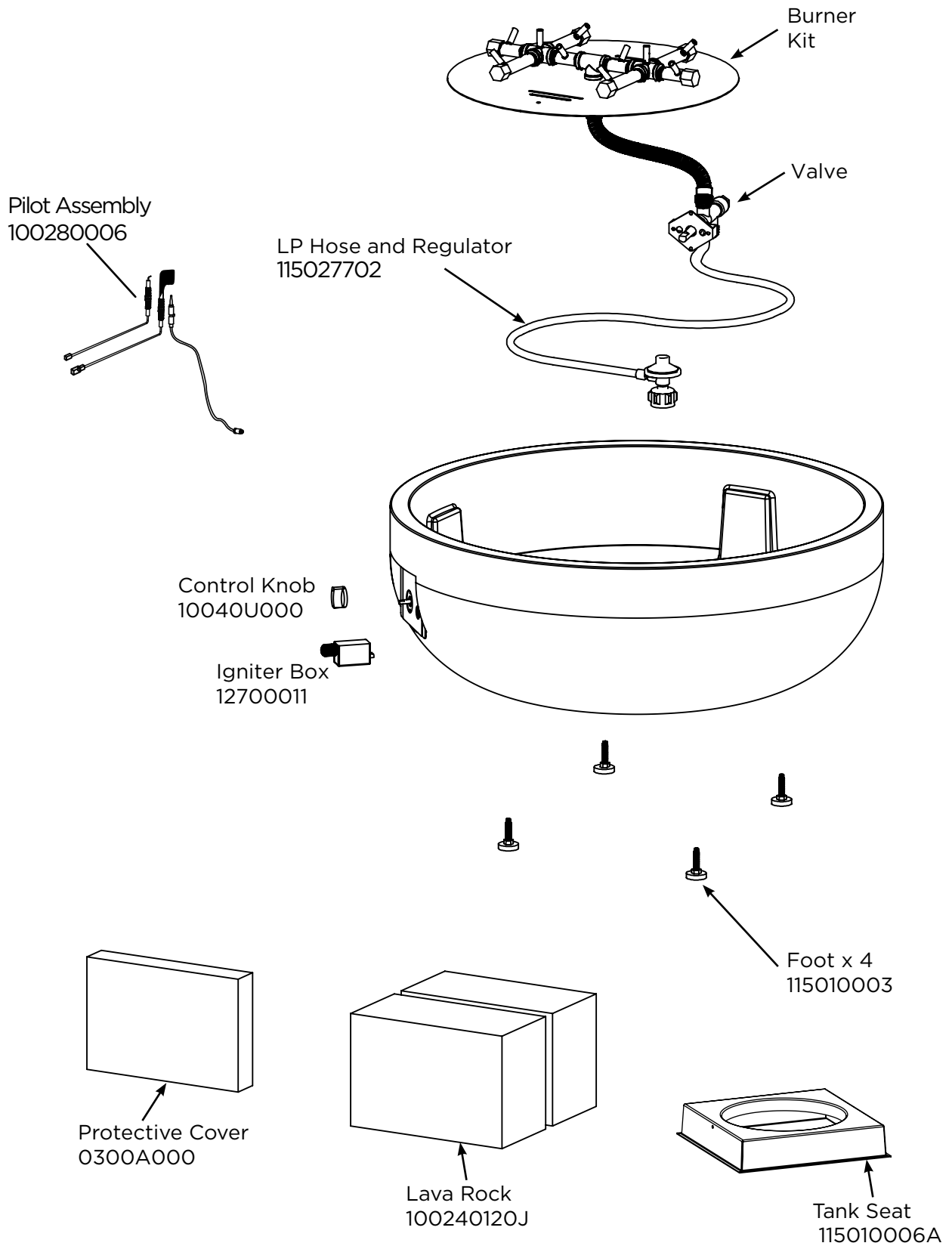
Cold temperatures outside may result in lower LP gas tank pressures causing the flames to be lower. Do not use your fireplace in extreme temperature conditions. Allow the temperature of your LP gas tank to rise and as the pressure in the LP gas tank increases the flame size will increase. NEVER heat your LP gas tank; allow it to warm up naturally.

### High Winds

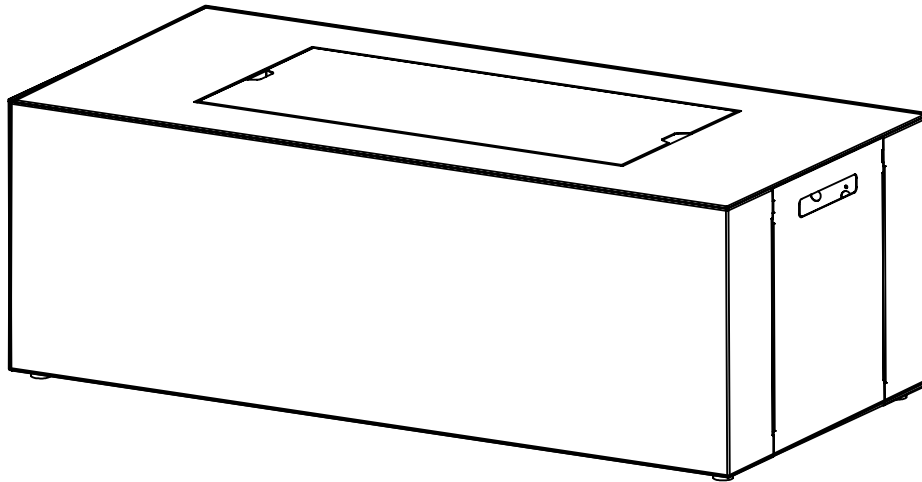
Your fireplace is designed to operate in winds up to 10 mph (16.09 kph). High winds may cause the flame to blow out. Do not operate your fireplace in high wind conditions.



# TECHNICAL PARTS LIST



# ARHAUS®



## Coden 58" Rectangular Propane Firepit

### **⚠ DANGER**

#### **CARBON MONOXIDE HAZARD**

This appliance can produce carbon monoxide which has no odor. Using it in an enclosed space can kill you.

Never use this appliance in an enclosed space such as a camper, tent, car or home.



### **⚠ DANGER**

#### **FIRE OR EXPLOSION HAZARD**

If you smell gas:

- Shut off gas to the appliance.
- Extinguish any open flame.
- If odor continues, leave the area immediately.
- After leaving the area, call your gas supplier or fire department. Failure to follow these instructions could result in fire or explosion, which could cause property damage, personal injury, or death.

### **⚠ WARNING: FOR OUTDOOR USE ONLY.**

Installation and service must be performed by a qualified installer, service agency, or the gas supplier.

**INSTALLER:** Leave this manual with the appliance.

**CONSUMER:** Retain this manual for future reference.

**⚠ WARNING:** If the information in this manual is not followed exactly, a fire or explosion may result causing property damage, serious injury, or loss of life.

**⚠ WARNING:** Do not store or use gasoline or other flammable vapors and liquids in the vicinity of this or any other appliance.

An LP gas tank not connected for use shall not be stored in the vicinity of this or any other appliance.

# TABLE OF CONTENTS

Important Safety Information	3
Propane (LP) Gas Dangers and Warnings	5
Parts List	6
Assembly Instructions	7
Pre-Use Instructions	10
Lighting Instructions	11
Care and Cleaning	12
Spider and Insect Warning	13
Tips and Troubleshooting	14
Technical Parts List	16

# IMPORTANT SAFETY INFORMATION

## General Warnings

---

- **Children and adults should be alerted to the hazards of high surface temperatures and should stay away to avoid burns or clothing ignition.**
- **Children should be carefully supervised when in the area of the fireplace.**
- **Clothing or other flammable materials should not be hung from the fireplace or placed on or near the fireplace.**
- **Any guard or other protective device removed for servicing the fireplace must be replaced prior to operating the fireplace.**
- **Installation and service must be performed by a qualified service agency or gas supplier.**
- **More frequent cleaning may be required as necessary. It is imperative that the control compartment, burners, and circulating air passageways of the appliance are kept clean.**
- Do not store or use gasoline or other flammable vapors or liquids within 25 feet (7.62 m) of this fireplace or any other appliance.
- Do not store combustible materials in the fireplace enclosure. This includes LP gas tanks. If the fireplace is designed to use a hidden LP gas tank, the LP gas tank should be properly secured in the designated tank holder under the fireplace. Do not store extra LP gas tanks under the fireplace.
- Be sure to protect the hose and its components from any hot surfaces. It is dangerous to allow the hose to come into contact with any hot surface.
- The LP gas tank should never be operated or stored on its side or upside down.
- Keep all parts of the fireplace clean including the burner and hose assembly. For more information on cleaning your fireplace please refer to the “Care and Cleaning” section of this manual.
- Do not use this fireplace if any part has been under water. Immediately call a qualified service technician to inspect the fireplace and replace any part of the system that has been under water.
- Do not use this fireplace for cooking.
- Do not pour water into the fireplace.
- Do not attempt to move or store this fireplace until all parts are cool.
- Always shut off the gas supply at the source and disconnect the hose when the fireplace is not in use.
- Any alteration of this fireplace that is not specifically directed in the owner’s manual will void the manufacturer’s warranty. This includes the use of unapproved filler materials.

# IMPORTANT SAFETY INFORMATION

## Installation Warnings

---

- Minimum clearance from the fireplace to combustible materials is 48 inches (121.9 cm) on all sides. Do not place this fireplace under any overhead structure or vegetation.
- The normal LP inlet pressure for this fireplace is 11.0" W.C. (2.74 kPa). Maximum inlet pressure is 13.0" W.C. (3.23 kPa). Minimum inlet pressure is 8" W.C. (1.99 kPa).
- Do not remove the feet from this fireplace.
- Do not place the fireplace on anything that blocks or seals the gap between the fireplace and the ground.
- Do not permanently secure the fireplace in any way or to any surfaces.
- Do not bury the hose. You must be able to visually inspect the hose for damage before each use.

## Set Up Warnings

---

- Prior to each operation, check the hose assembly for evidence of excessive abrasion, wear or damage. Use a handheld mirror, if necessary, to see the hose sections located below the unit.
- If the hose assembly is damaged, cracked, or cut, it must be replaced before using the fireplace.
- Place the hose out of the pathways where people may trip over it. Do not place the hose in areas where it may be accidentally damaged.
- Before each use, examine the burner and its components for dirt and debris. If cleaning is required, use a pipe cleaning brush and compressed air. Also examine the area around the burner. Any dirt or foreign material, such as spider webs, nests, leaves, etc., should be removed. If it is evident that the burner is damaged, the fireplace must not be used, and the burner assembly must be replaced.

## In-Use Warnings

---

- NEVER LEAVE this fireplace unattended when in use.
- Do not burn solid fuels, such as charcoal briquettes, lump charcoal, manufactured logs, trash, leaves, paper, cardboard, any type of natural or treated wood, or any other materials in this fireplace.
- The use of alcohol, prescription or non-prescription drugs may impair your ability to safely operate this fireplace.
- Always use in accordance with all applicable local, state, and national codes. Contact your local fire department for details on outdoor burning.
- Do not use in windy conditions. Windy conditions may cause the flame to drift out of the designated burn area or may cause the flame to extinguish. Prolonged exposure to wind with the fire table in operation can damage the finish around the burner area, causing discoloration or cracking.
- Some surfaces of this fireplace may become hot during use. Be careful and do not touch surfaces until the unit has cooled.
- Do not attempt to disconnect the gas supply from the fireplace when the unit is in use.
- Do not sit on the fireplace.

# PROPANE (LP) GAS DANGERS AND WARNINGS

## **⚠ WARNING**

LP gas is flammable and hazardous if handled improperly. Become aware of its characteristics before using any LP gas product. Failure to understand and follow these warnings or any directions and warnings provided by your LP gas supplier may result in property damage, serious injury, or death.

## **⚠ DANGER**

An LP gas tank should never be placed on its side. Doing so may cause liquid propane to leak. This could cause a fast buildup of LP gas and could lead to property damage, serious injury, or death.

## **LP Gas Characteristics**

- LP gas is flammable, explosive under pressure, heavier than air and settles in pools in low areas. Pooled gas may ignite causing a fire or explosion which could cause property damage, serious injury, or death.
- In its natural state, LP gas has no odor. For your safety, a scent has been added.
- Contact with LP gas could burn your skin.

## **LP Gas Tank Information**

- LP gas tanks should be filled only by a certified LP gas dealer.
- Never use an LP gas tank with a damaged body, valve, collar or footing.
- Dented or rusted LP tanks may be hazardous and should be checked by your LP gas supplier.
- The LP gas supply tank must be constructed and marked in accordance with *The Specifications for LP Gas Tanks of The U.S. Department of Transportation (DOT) or The National Standard of Canada, CAN/CSA-B339, LP Gas Tanks, Spheres and Tubes for The Transportation of Dangerous Goods; and Commission.*
- LP gas tanks must be arranged for vapor withdrawal.
- LP gas tanks must have a listed overfilling prevention device (OPD) and a QCCI or Type I (CGA810) LP gas tank connection.
- The LP gas tank must contain a shut-off valve as specified in *The Standard for Compressed Gas Cylinder Valve Outlet and Inlet Connection, ANSI/CGA-V-1-1977, CSA B96.*
- Never attempt to attach this fireplace to the self-contained LP gas system of a camper, trailer, motor home or house.
- Hand-turn the manual gas control valve on your LP gas tank. Never use tools. If the valve will not turn by hand, do not try to repair it. Call a certified gas technician.
- The use of force or any attempt at amateur repair may cause a fire or explosion.

## **LP Gas Tank Storage and Safety**

- LP gas tanks must be stored upright and outdoors in a well-ventilated area out of reach of children.
- Never store an LP gas tank in an enclosed area, such as a shed or garage. Leaking gas could build up in these areas and may result in an explosion.
- Do not store LP gas tanks near any source of flame or ignition.
- Never store an LP gas tank in direct sunlight or where temperatures can reach 125°F (51.67°C) or higher.
- Never keep a filled LP gas tank in a hot car or car trunk. Heat will cause the gas pressure to increase, which may open the relief valve and allow gas to escape.
- Place the dust cap on the LP gas tank valve outlet when the LP gas is not in use. Only use the dust cap that is provided with the LP gas tank. Other types of caps or plugs may result in leakage of LP gas.
- The LP gas tank should not be dropped or handled roughly.

# PARTS LIST

Item	Quantity
① Fire Table	1
② Door	1
③ Lid	1
④ LP Regulator and Hose	1
⑤ Leveling Feet	4
⑥ Lava Rock	3 Boxes
⑦ AA Battery	1
⑧ Igniter Button	1
⑨ Control Knob	1
⑩ Protective Cover	1



⑤

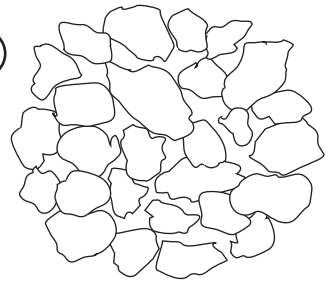


⑧

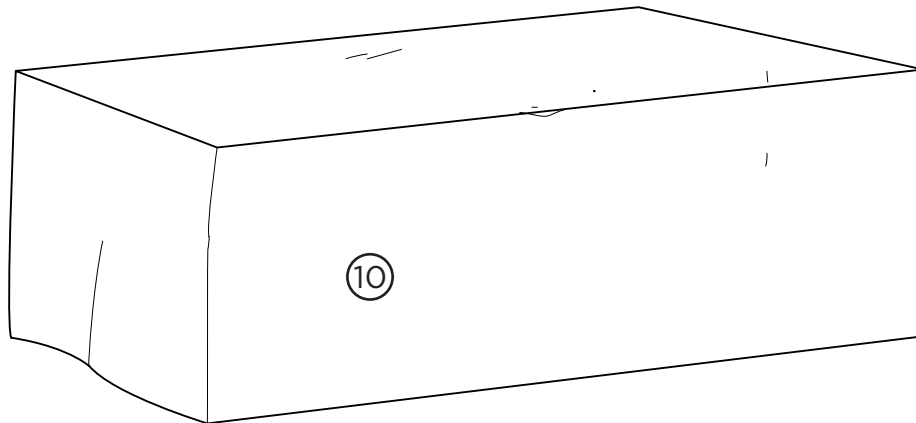
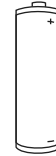
⑨



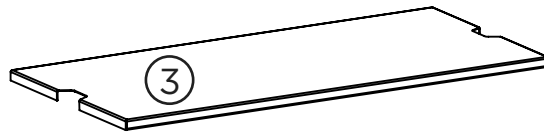
⑥



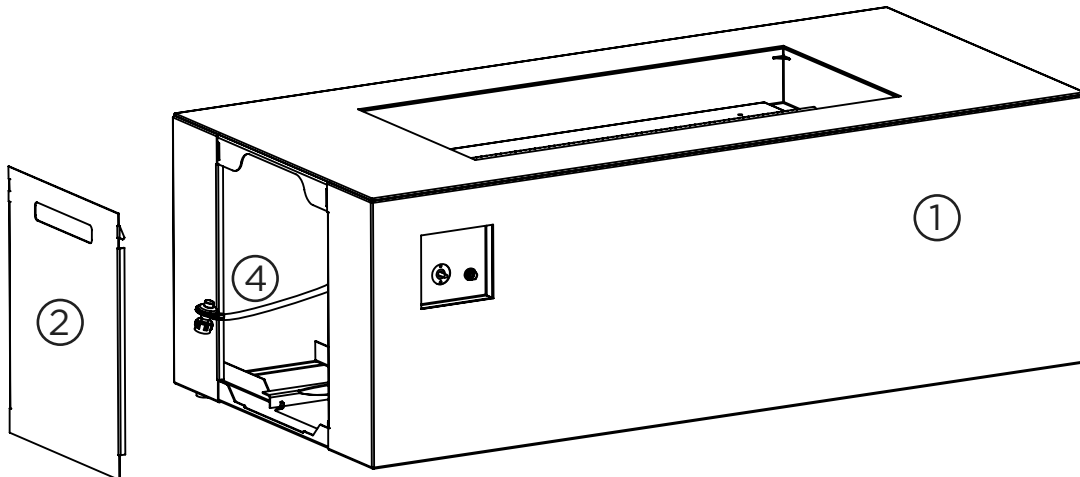
⑦



⑩



③



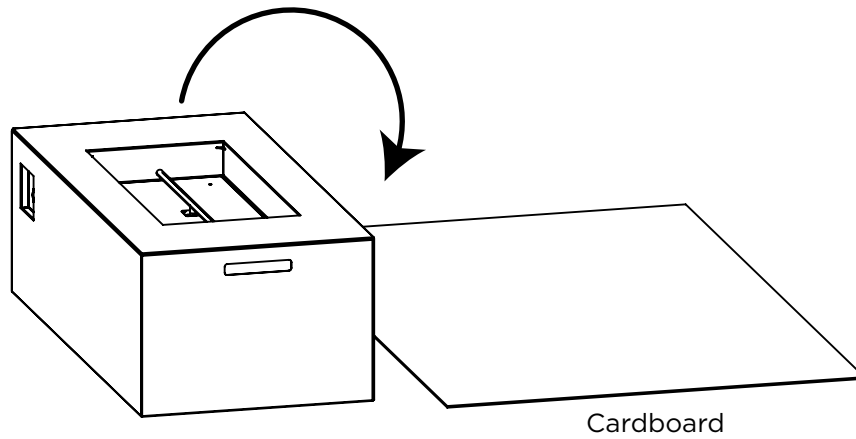
①

④

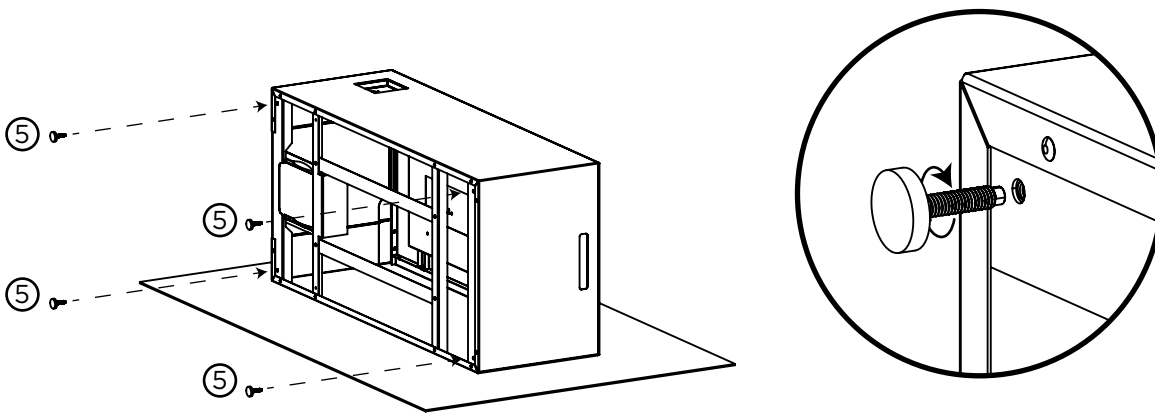
②

# ASSEMBLY INSTRUCTIONS

1. Carefully turn the fire table on its side, using a piece of cardboard or a blanket to protect the finish.



2. Secure the 4 feet (5) in place as shown below.



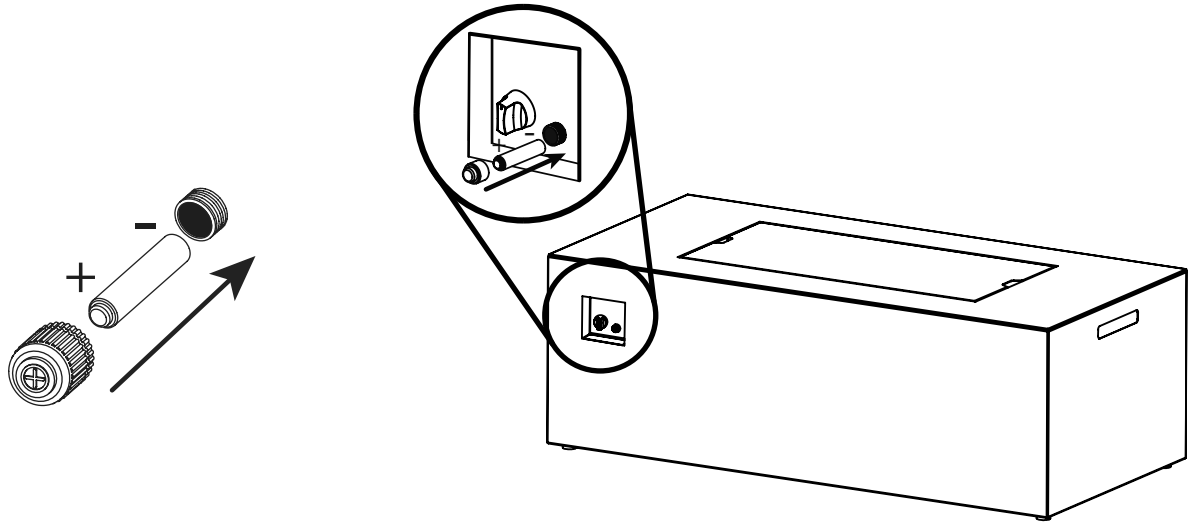
## **⚠ WARNING**

The adjustable feet must be installed correctly on the fire table before operation to ensure safe use.



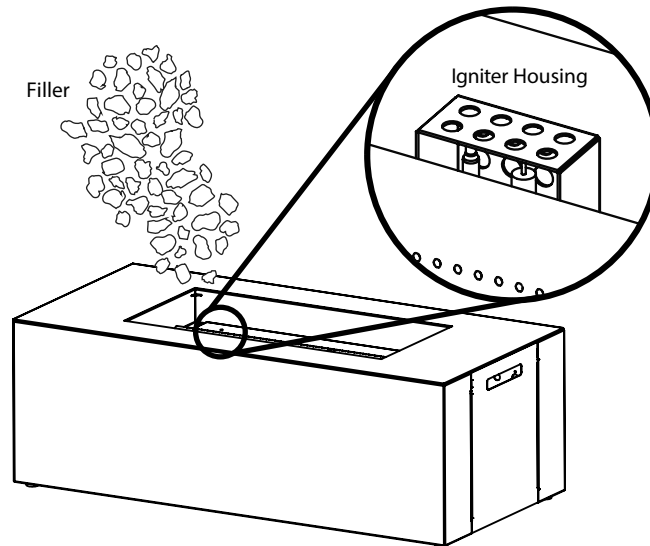
# ASSEMBLY INSTRUCTIONS

3. Install the AA battery as shown in the diagram below.



4. Place the filler material into the burner pan by hand. To avoid clogging the burner with dust do not dump the bag into the burner pan. Position the filler across the burner pan to a level that is 1 inch (2.54 cm) above the burner tube. Make sure you do not block the igniter housing with the filler material to ensure proper ignition and operation.

If using glass filler, place a layer of lava rock in the burner pan to improve airflow.

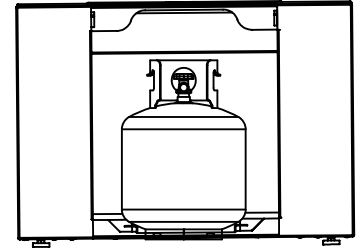
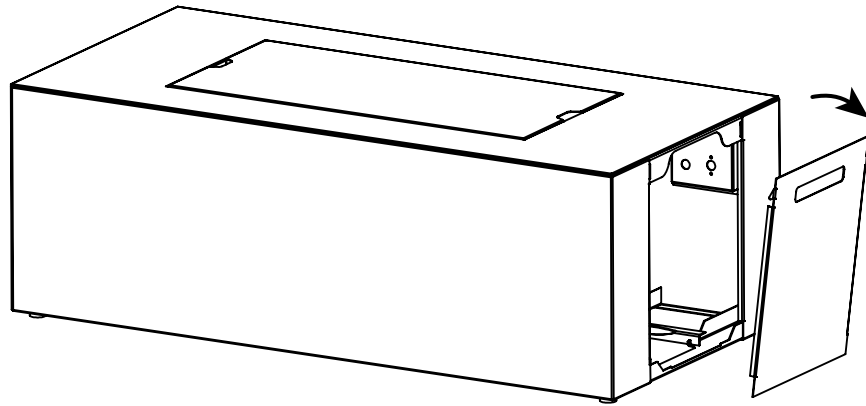


## Filler Material Warning

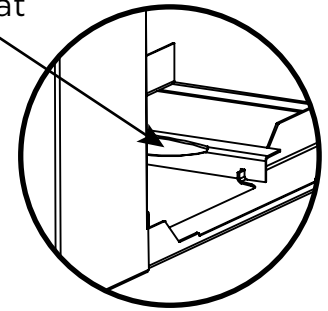
- Do not overfill the burner area with rock or glass filler; use only the specified amount. The depth of the filler should not be more than 1 inch (2.54 cm) above the burner tube. . Using other filler material may result in increased popping and cracking or increased carbon monoxide emissions.
- Do not light or use this fireplace if the filler is wet. Ensure filler is completely dry before lighting. Intense heat can cause wet filler to explode and hit someone causing property damage, serious injury, or death.
- Keep away from the fireplace for at least 20 minutes during initial start-up as filler could retain moisture from manufacturing and shipping.

# ASSEMBLY INSTRUCTIONS

5. Make sure the gas supply is turned to “OFF”. Remove the door and place the tank in the tank seat divits so that it sits securely and is level.



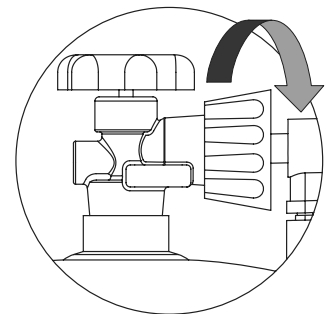
Tank Seat



## 6. Connect the LP Gas Tank

Before connection, be sure there is no debris caught in the collar of the LP gas tank, the regulator valve, the burner tube, or the burner ports.

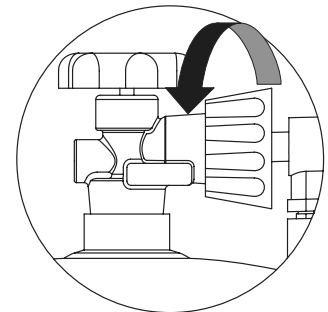
Connect the gas line to the tank by turning the connection knob clockwise. Hand-tighten only.



## Disconnect the LP Gas Tank

To disconnect the LP gas tank, make sure the valve on the LP gas tank is completely closed.

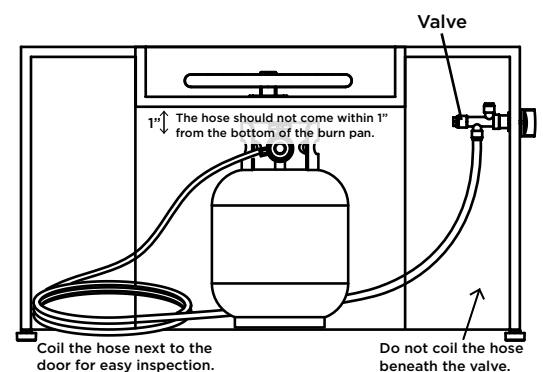
Disconnect the connection knob by turning it counterclockwise until it is detached from the valve.



## ⚠ WARNING

If the table is installed with a portion of the hose under the table, the hose must be secured, so that no part of the hose will be within 1" or come in contact with the underside of the burn pan or where the hose will not be accidentally damaged or pinched.

Failure to secure the hose in a safe location may result in a gas leak that could cause property damage, injury, or death. Follow all other hose inspection instructions listed in this manual.



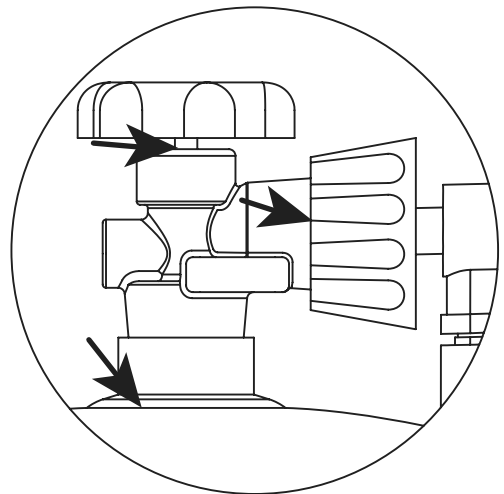
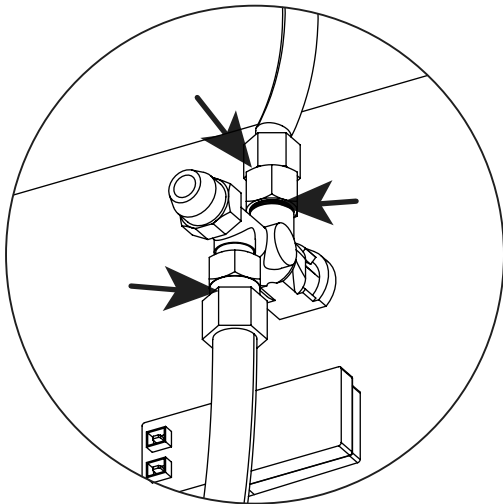
# PRE-USE INSTRUCTIONS

## **⚠ WARNING**

Before using this fireplace, make sure you have read, understand, and are following all information provided in this manual. Failure to follow these instructions could cause property damage, serious injury, or death.

## Checking for Leaks

1. Make a leak check solution by mixing 1 part dishwashing soap with 3 parts water in a spray bottle.
2. Make sure the control knob on the fireplace is in the “OFF” position, then connect your fireplace to the LP gas tank and turn the tank’s valve on.
3. Spray the leak solution on the valve connections, paying particular attention to the areas indicated by arrows in the diagrams below.
4. If bubbles appear, turn the LP gas tank off, disconnect the tank, and inspect all connections, making sure threads are clear of debris. Reconnect the LP gas tank and retest. If you continue to see bubbles, turn the LP gas tank off. Disconnect the hose.
5. If no bubbles appear after 1 minute, wipe away excess leak solution and proceed to “Lighting Instructions.”

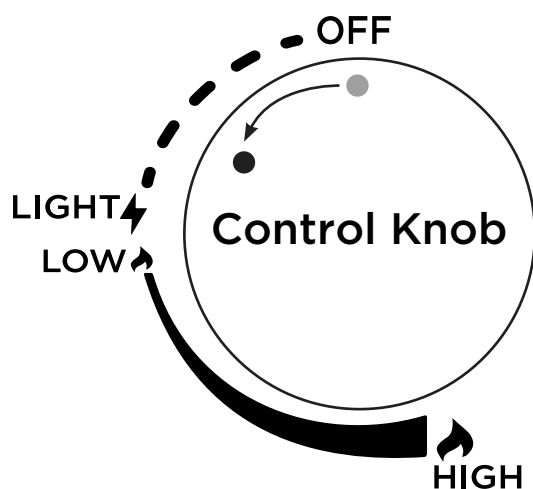
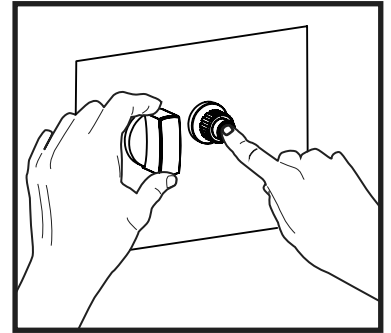


**Pay close attention to the areas indicated by the arrows.**

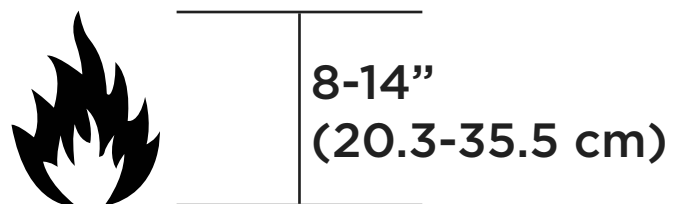
# LIGHTING INSTRUCTIONS

## Using the Igniter

1. Read and understand all operating instructions before lighting.
2. Before beginning, make sure the control knob is in the "OFF" position.
3. Connect your LP gas tank (see previous pages).
4. Slowly open the valve on your LP gas tank.
5. Prepare to ignite your fireplace by placing one hand on the control knob and one hand on the igniter button (see diagram). **DO NOT** lean over any part of the burner. Verify that the area around the burner is free of hazards.
6. Push and hold the igniter button. You should hear a clicking sound.
7. While keeping the ignition button depressed, use your other hand to push in and turn the control knob counterclockwise to the "LIGHT" position.
8. Once the burner ignites, release the igniter button, but continue to keep the control knob pushed in for 15 seconds.  
**WARNING:** If ignition does not occur in 15 seconds, turn the control knob to the "OFF" position and turn the gas off at its source. Make sure there is no source of ignition around the fireplace and wait at least 5 minutes until the gas has cleared to repeat the lighting procedure. Failure to do so could result in a large flashback of pooled gas, causing property damage, serious injury, or death.
9. After successfully lighting the fireplace, release the control knob and turn it to the "LOW" setting. Observe the flame and make sure that all the burner ports are lit.
10. Adjust the flame to the desired height using the control knob.



## Flame Height



## Shut-Off Instructions

1. Turn the control knob to the "OFF" position.
2. Close the valve on the LP gas tank to shut off gas flow.

# CARE AND CLEANING

## Inspecting Your Fireplace

---

### **⚠ WARNING**

DO NOT inspect, clean, move or store your fireplace until the flames are COMPLETELY out and all parts are cool to the touch.

Your fireplace should be inspected regularly to ensure that it is safe to use and to extend the life of its parts.

To inspect your fireplace follow these steps:

1. Make sure all parts are securely fastened in place. If a part moves when touched, check its connection points to see if they are loose.
2. Check all connections for leaks using the method described in the “Checking for Leaks” section of this manual.
3. Check the igniter system by pushing the igniter button and verifying that a spark is being generated in the igniter housing.
4. Visually check all components for any signs of damage, rust, or excessive wear.
5. If damage or leaks of any kind are found. DO NOT operate the fireplace until the proper repairs have been made.

## General Care and Cleaning

---

After repeated use, a slight discoloration or weathering of the fireplace finish may occur. Your fireplace should be cleaned regularly to ensure safe use and extend its life.

### **General Cleaning**

Make a cleaning solution using a mild soap mixed with water. Use a soft cloth to wipe down exterior surfaces and rinse with clean water. Never use oven cleaners or abrasive solvents as these will damage the fireplace.

### **Burner**

The burner should be kept clean to ensure proper operation. Clogged burner ports may be cleared with a paper clip or pin. Debris in the burner tube can be cleaned using compressed air or a pipe cleaning brush.

### **Soot**

After use it is possible for soot to develop on some surfaces. This soot deposit will usually come off with water and mild soap.

## Storage

---

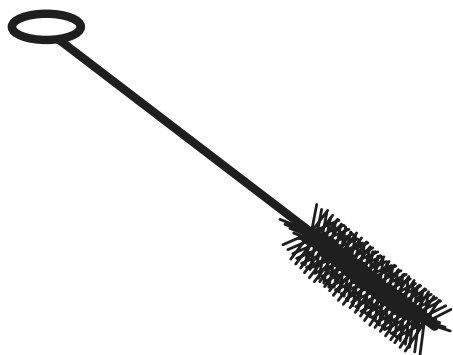
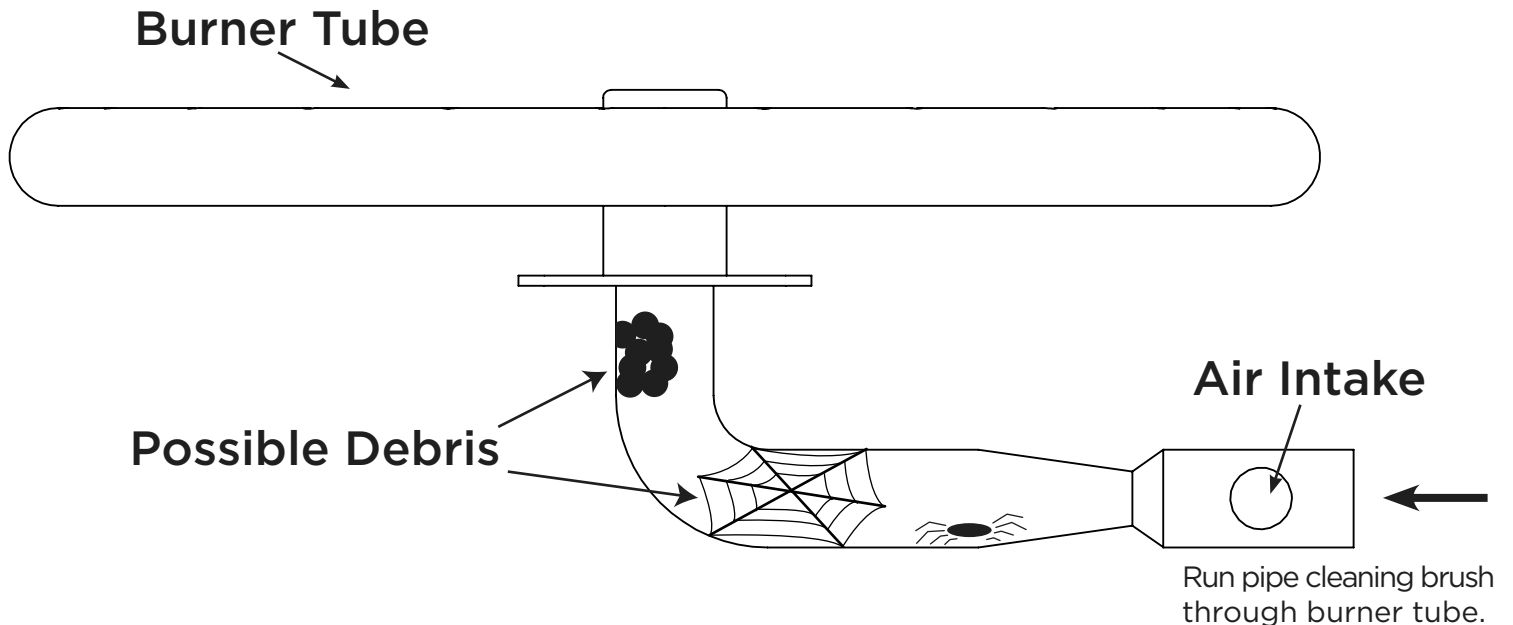
1. Turn the LP gas supply off at the tank. Remove the LP gas tank and store it in a cool, dry location, outside and away from children.
2. Secure all loose filler material or parts.
3. Remove the battery from the igniter box.
4. Cover the fireplace when not in use and do not allow water to pool on the cover surface. Covering the fireplace will help to protect the internal components from dirt and debris and prevent the finish from fading.
5. Store the fireplace in a cool, dry location away from children and pets.

# SPIDER AND INSECT WARNING

Spiders or other insects may build webs or nests in your fireplace burner tube which can obstruct or block the flow of gas.

Some of the gas may back up in the burner tube and cause a flashback (a fire in the burner tube or underneath the fireplace), which could result in property damage, serious injury, or death. Check and clean the burner tube periodically using a pipe cleaning brush (shown below) and compressed air available at any hardware store.

**Example of a typical burner tube.  
Your exact burner may vary.**



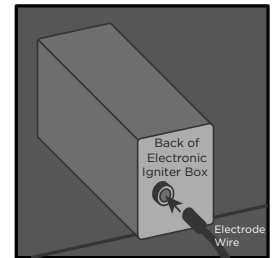
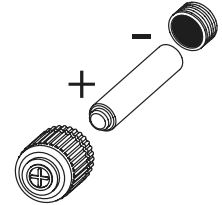
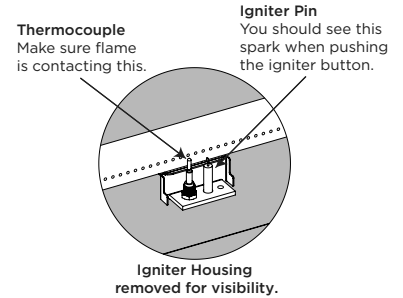
**Example of pipe cleaning brush available at local hardware store.**

# TIPS AND TROUBLESHOOTING

## If the Fireplace Will Not Ignite

If the igniter system is working correctly, you should hear a clicking sound while the igniter button is being pushed and you should see a spark inside the igniter housing. If you do not see the spark or hear a clicking sound, please check the following:

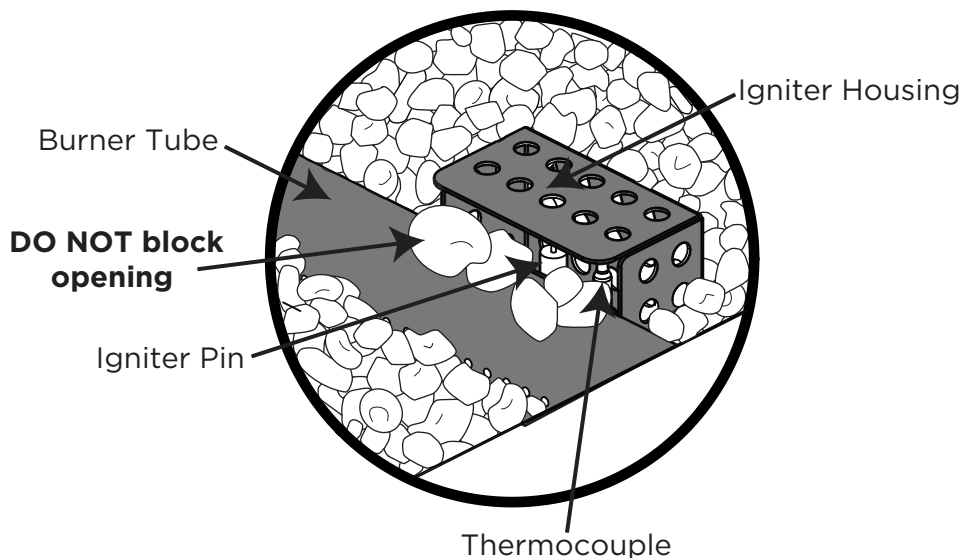
1. Make sure the battery is not dead and that it is installed correctly, with the positive (+) side facing out.
2. If you still do not hear a clicking sound or see a spark in the igniter box, look under the fireplace and make sure that the electrode wire is correctly inserted into the back of the electronic igniter box. While inspecting the electrode wire, make sure that it is not cut or broken in any place.



## If the Fireplace Will Not Stay Lit

If the fireplace lights, but will not stay lit, or remains lit only for a brief time, please check the following:

1. Make sure that the igniter housing is unobstructed. Clear away any filler material or debris on the housing and make sure there is nothing between the igniter pin and the thermocouple.



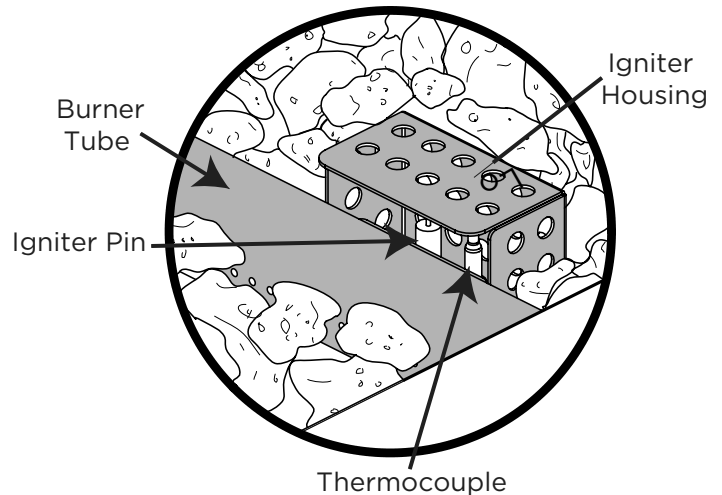
# TIPS AND TROUBLESHOOTING

## If the Fireplace Will Not Stay Lit (Cont.)

---

2. Make sure the thermocouple and igniter pin are correctly positioned.

**Thermocouple** - The thermocouple tip should be located close to the burner, aligned with a burner port so that flames contact it directly. Make sure the flames are making contact with the thermocouple tip.



### Damaged Thermocouple

If the igniter housing and the thermocouple tip are clear of debris and the flame is clearly contacting the tip of the thermocouple, but the fireplace will still not stay lit, the thermocouple may be damaged. Look beneath the fireplace and find the copper thermocouple wire coming out of the back of the valve. Examine the length of it for any signs of damage. Sharp bends, kinks or damage can cause the thermocouple to not function correctly.

**Igniter Pin** - The igniter pin is where the spark is generated to ignite your fireplace. Make sure you can see this sparking when the igniter button is pushed.

## Other Common Problems

---

### Clogged or Obstructed Burner

It is common for bugs, especially spiders, to make webs or nests inside of burner tubes. If it seems like you are getting low or no gas flow, visually check all openings in the burner for signs of clogs. If you see anything clogging the burner try using a pipe cleaning brush and compressed air to remove the debris.

### Out of Gas

Be sure your LP gas tank is not empty. Low tanks can result in lower flames.

### Cold Temperatures

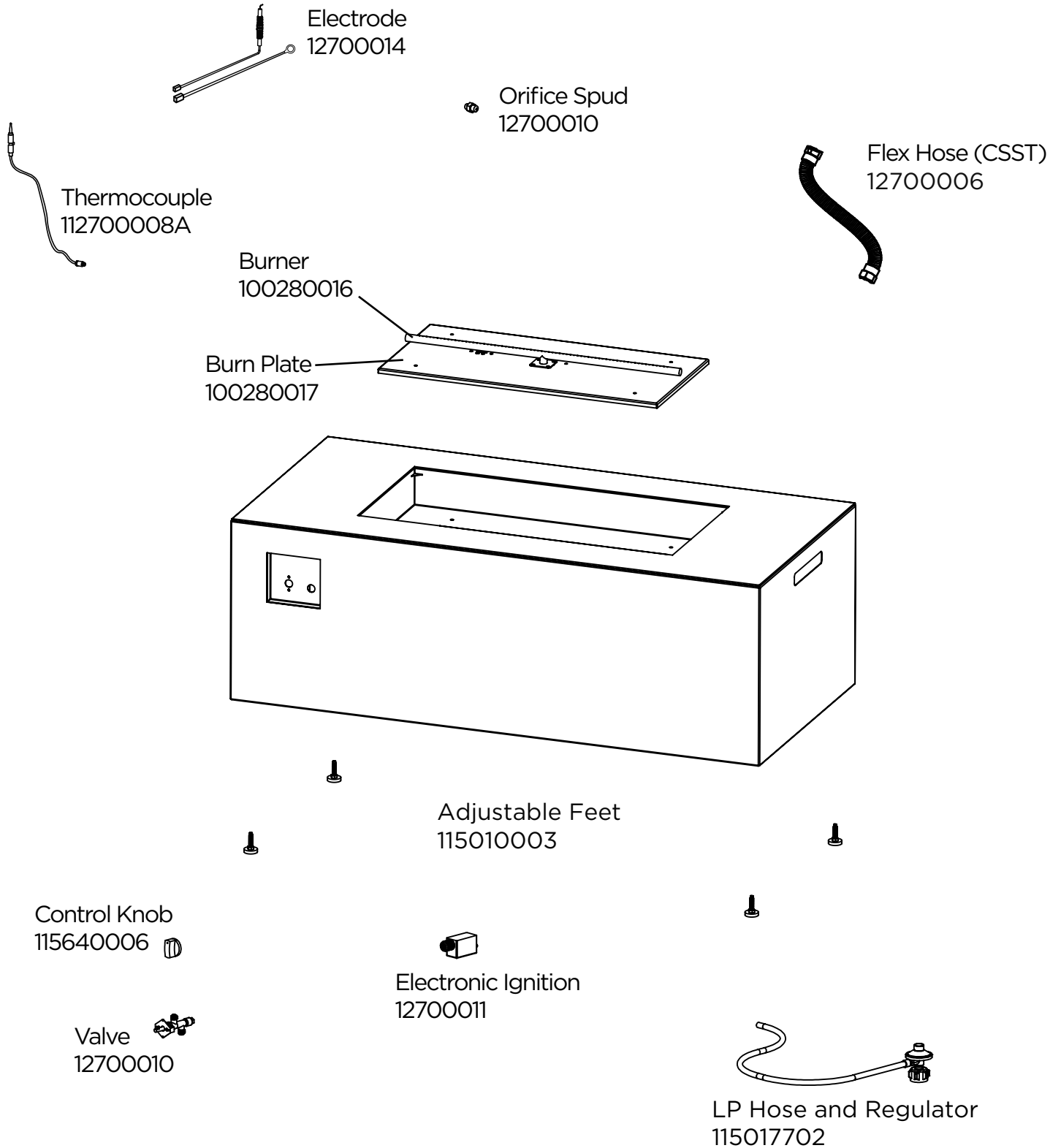
Cold temperatures outside may result in lower LP gas tank pressures causing the flames to be lower. Do not use your fireplace in extreme temperature conditions. Allow the temperature of your LP gas tank to rise and as the pressure in the LP gas tank increases the flame size will increase. NEVER heat your LP gas tank; allow it to warm up naturally.

### High Winds

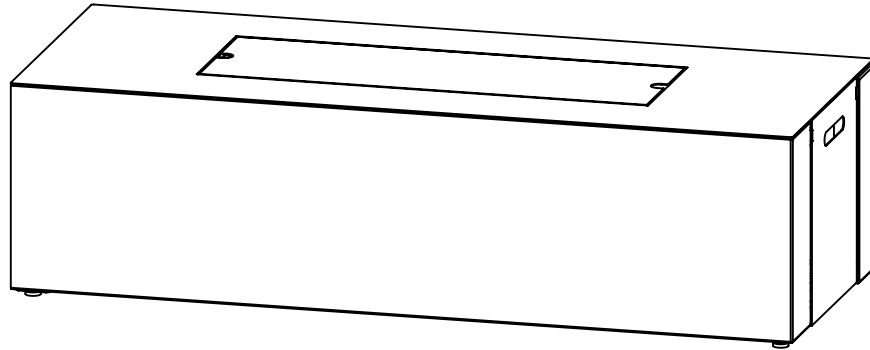
Your fireplace is designed to operate in winds up to 10 mph (16.09 kph). High winds may cause the flame to blow out. Do not operate your fireplace in high wind conditions.



# TECHNICAL PARTS LIST



# ARHAUS<sup>®</sup>



## Coden 72" Rectangular Propane Firepit

### **⚠ DANGER**

#### **CARBON MONOXIDE HAZARD**

This appliance can produce carbon monoxide which has no odor. Using it in an enclosed space can kill you.

Never use this appliance in an enclosed space such as a camper, tent, car or home.



### **⚠ DANGER**

#### **FIRE OR EXPLOSION HAZARD**

If you smell gas:

- Shut off gas to the appliance.
- Extinguish any open flame.
- If odor continues, leave the area immediately.
- After leaving the area, call your gas supplier or fire department. Failure to follow these instructions could result in fire or explosion, which could cause property damage, personal injury, or death.

### **⚠ WARNING: FOR OUTDOOR USE ONLY.**

Installation and service must be performed by a qualified installer, service agency, or the gas supplier.

**INSTALLER:** Leave this manual with the appliance.

**CONSUMER:** Retain this manual for future reference.

**⚠ WARNING:** If the information in this manual is not followed exactly, a fire or explosion may result causing property damage, serious injury, or loss of life.

**⚠ WARNING:** Do not store or use gasoline or other flammable vapors and liquids in the vicinity of this or any other appliance.

An LP gas tank not connected for use shall not be stored in the vicinity of this or any other appliance.

# TABLE OF CONTENTS

Important Safety Information	3
Propane (LP) Gas Dangers and Warnings	5
Parts List	6
Assembly Instructions	7
Pre-Use Instructions	10
Lighting Instructions	11
Care and Cleaning	12
Spider and Insect Warning	13
Tips and Troubleshooting	14
Technical Parts List	16

# IMPORTANT SAFETY INFORMATION

## General Warnings

---

- **Children and adults should be alerted to the hazards of high surface temperatures and should stay away to avoid burns or clothing ignition.**
- **Children should be carefully supervised when in the area of the fireplace.**
- **Clothing or other flammable materials should not be hung from the fireplace or placed on or near the fireplace.**
- **Any guard or other protective device removed for servicing the fireplace must be replaced prior to operating the fireplace.**
- **Installation and service must be performed by a qualified service agency or gas supplier.**
- **More frequent cleaning may be required as necessary. It is imperative that the control compartment, burners, and circulating air passageways of the appliance are kept clean.**
- Do not store or use gasoline or other flammable vapors or liquids within 25 feet (7.62 m) of this fireplace or any other appliance.
- Do not store combustible materials in the fireplace enclosure. This includes LP gas tanks. If the fireplace is designed to use a hidden LP gas tank, the LP gas tank should be properly secured in the designated tank holder under the fireplace. Do not store extra LP gas tanks under the fireplace.
- Be sure to protect the hose and its components from any hot surfaces. It is dangerous to allow the hose to come into contact with any hot surface.
- The LP gas tank should never be operated or stored on its side or upside down.
- Keep all parts of the fireplace clean including the burner and hose assembly. For more information on cleaning your fireplace please refer to the “Care and Cleaning” section of this manual.
- Do not use this fireplace if any part has been under water. Immediately call a qualified service technician to inspect the fireplace and replace any part of the system that has been under water.
- Do not use this fireplace for cooking.
- Do not pour water into the fireplace.
- Do not attempt to move or store this fireplace until all parts are cool.
- Always shut off the gas supply at the source and disconnect the hose when the fireplace is not in use.
- Any alteration of this fireplace that is not specifically directed in the owner’s manual will void the manufacturer’s warranty. This includes the use of unapproved filler materials.

# IMPORTANT SAFETY INFORMATION

## Installation Warnings

---

- Minimum clearance from the fireplace to combustible materials is 48 inches (121.9 cm) on all sides. Do not place this fireplace under any overhead structure or vegetation.
- The normal LP inlet pressure for this fireplace is 11.0" W.C. (2.74 kPa). Maximum inlet pressure is 13.0" W.C. (3.23 kPa). Minimum inlet pressure is 8" W.C. (1.99 kPa).
- Do not remove the feet from this fireplace.
- Do not place the fireplace on anything that blocks or seals the gap between the fireplace and the ground.
- Do not permanently secure the fireplace in any way or to any surfaces.
- Do not bury the hose. You must be able to visually inspect the hose for damage before each use.

## Set Up Warnings

---

- Prior to each operation, check the hose assembly for evidence of excessive abrasion, wear or damage. Use a handheld mirror, if necessary, to see the hose sections located below the unit.
- If the hose assembly is damaged, cracked, or cut, it must be replaced before using the fireplace.
- Place the hose out of the pathways where people may trip over it. Do not place the hose in areas where it may be accidentally damaged.
- Before each use, examine the burner and its components for dirt and debris. If cleaning is required, use a pipe cleaning brush and compressed air. Also examine the area around the burner. Any dirt or foreign material, such as spider webs, nests, leaves, etc., should be removed. If it is evident that the burner is damaged, the fireplace must not be used, and the burner assembly must be replaced.

## In-Use Warnings

---

- NEVER LEAVE this fireplace unattended when in use.
- Do not burn solid fuels, such as charcoal briquettes, lump charcoal, manufactured logs, trash, leaves, paper, cardboard, any type of natural or treated wood, or any other materials in this fireplace.
- The use of alcohol, prescription or non-prescription drugs may impair your ability to safely operate this fireplace.
- Always use in accordance with all applicable local, state, and national codes. Contact your local fire department for details on outdoor burning.
- Do not use in windy conditions. Windy conditions may cause the flame to drift out of the designated burn area or may cause the flame to extinguish. Prolonged exposure to wind with the fire table in operation can damage the finish around the burner area, causing discoloration or cracking.
- Some surfaces of this fireplace may become hot during use. Be careful and do not touch surfaces until the unit has cooled.
- Do not attempt to disconnect the gas supply from the fireplace when the unit is in use.
- Do not sit on the fireplace.

# PROPANE (LP) GAS DANGERS AND WARNINGS

## **⚠ WARNING**

LP gas is flammable and hazardous if handled improperly. Become aware of its characteristics before using any LP gas product. Failure to understand and follow these warnings or any directions and warnings provided by your LP gas supplier may result in property damage, serious injury, or death.

## **⚠ DANGER**

An LP gas tank should never be placed on its side. Doing so may cause liquid propane to leak. This could cause a fast buildup of LP gas and could lead to property damage, serious injury, or death.

## **LP Gas Characteristics**

- LP gas is flammable, explosive under pressure, heavier than air and settles in pools in low areas. Pooled gas may ignite causing a fire or explosion which could cause property damage, serious injury, or death.
- In its natural state, LP gas has no odor. For your safety, a scent has been added.
- Contact with LP gas could burn your skin.

## **LP Gas Tank Information**

- LP gas tanks should be filled only by a certified LP gas dealer.
- Never use an LP gas tank with a damaged body, valve, collar or footing.
- Dented or rusted LP tanks may be hazardous and should be checked by your LP gas supplier.
- The LP gas supply tank must be constructed and marked in accordance with *The Specifications for LP Gas Tanks of The U.S. Department of Transportation (DOT) or The National Standard of Canada, CAN/CSA-B339, LP Gas Tanks, Spheres and Tubes for The Transportation of Dangerous Goods; and Commission.*
- LP gas tanks must be arranged for vapor withdrawal.
- LP gas tanks must have a listed overfilling prevention device (OPD) and a QCCI or Type I (CGA810) LP gas tank connection.
- The LP gas tank must contain a shut-off valve as specified in *The Standard for Compressed Gas Cylinder Valve Outlet and Inlet Connection, ANSI/CGA-V-1-1977, CSA B96.*
- Never attempt to attach this fireplace to the self-contained LP gas system of a camper, trailer, motor home or house.
- Hand-turn the manual gas control valve on your LP gas tank. Never use tools. If the valve will not turn by hand, do not try to repair it. Call a certified gas technician.
- The use of force or any attempt at amateur repair may cause a fire or explosion.

## **LP Gas Tank Storage and Safety**

- LP gas tanks must be stored upright and outdoors in a well-ventilated area out of reach of children.
- Never store an LP gas tank in an enclosed area, such as a shed or garage. Leaking gas could build up in these areas and may result in an explosion.
- Do not store LP gas tanks near any source of flame or ignition.
- Never store an LP gas tank in direct sunlight or where temperatures can reach 125°F (51.67°C) or higher.
- Never keep a filled LP gas tank in a hot car or car trunk. Heat will cause the gas pressure to increase, which may open the relief valve and allow gas to escape.
- Place the dust cap on the LP gas tank valve outlet when the LP gas is not in use. Only use the dust cap that is provided with the LP gas tank. Other types of caps or plugs may result in leakage of LP gas.
- The LP gas tank should not be dropped or handled roughly.

# PARTS LIST

Item	Number	Quantity
① Fire Table	N/A	1
② Door	CBN - 20602801 TGR - 20602001	1
③ Lid	CBN - 20602802 TGR - 20602002	1
④ LP Regulator and Hose	115017702	1
⑤ Leveling Feet	115010003	4
⑥ Lava Rock	100240120J	3 Boxes
⑦ AA Battery	N/A	1
⑧ Igniter Button	115640005	1
⑨ Control Knob	115640006	1
⑩ Protective Cover	20600003	1



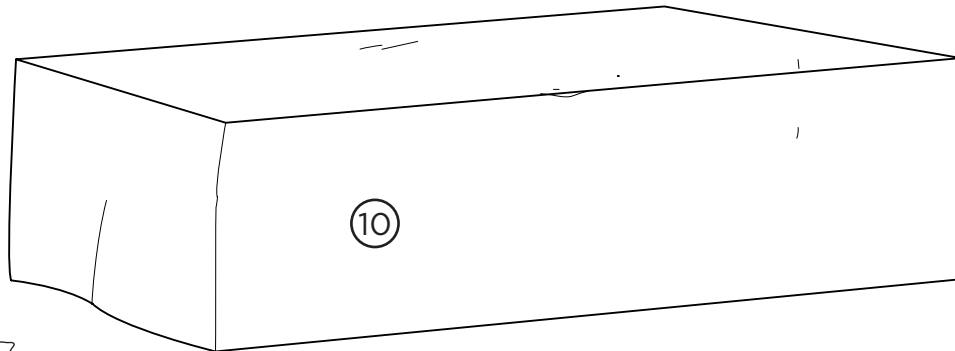
⑤

⑨



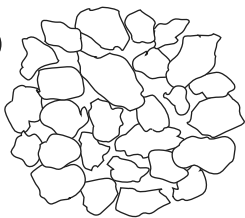
⑧

⑦



⑩

⑥



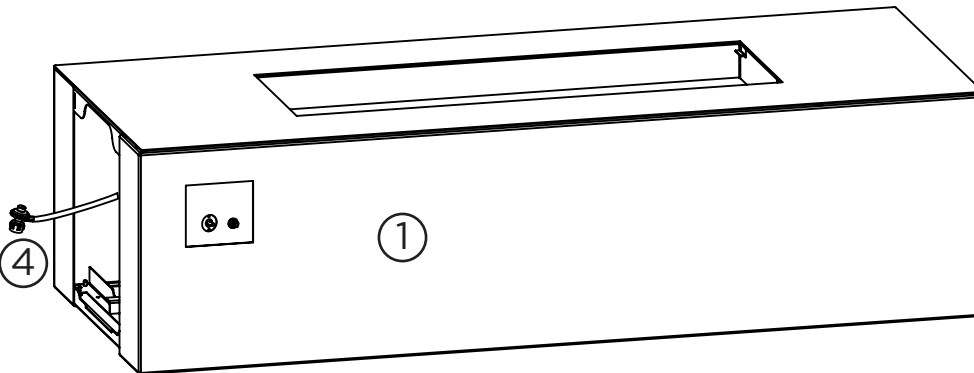
③



②



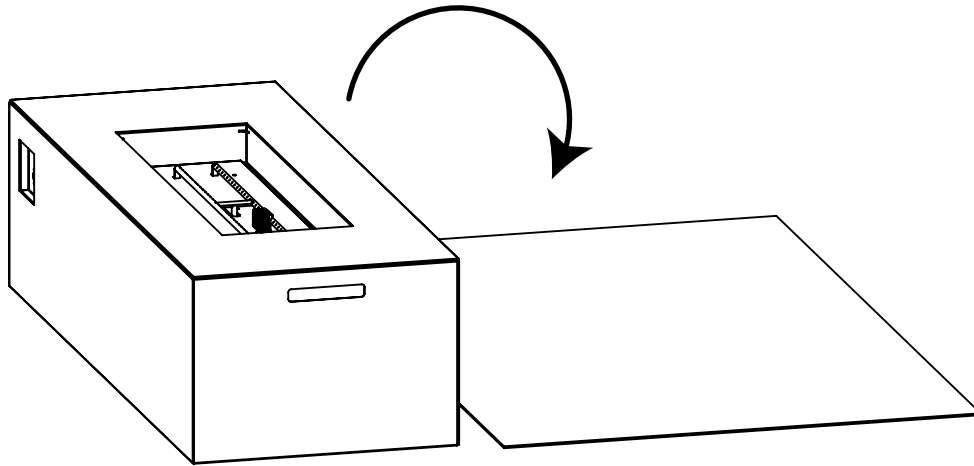
④



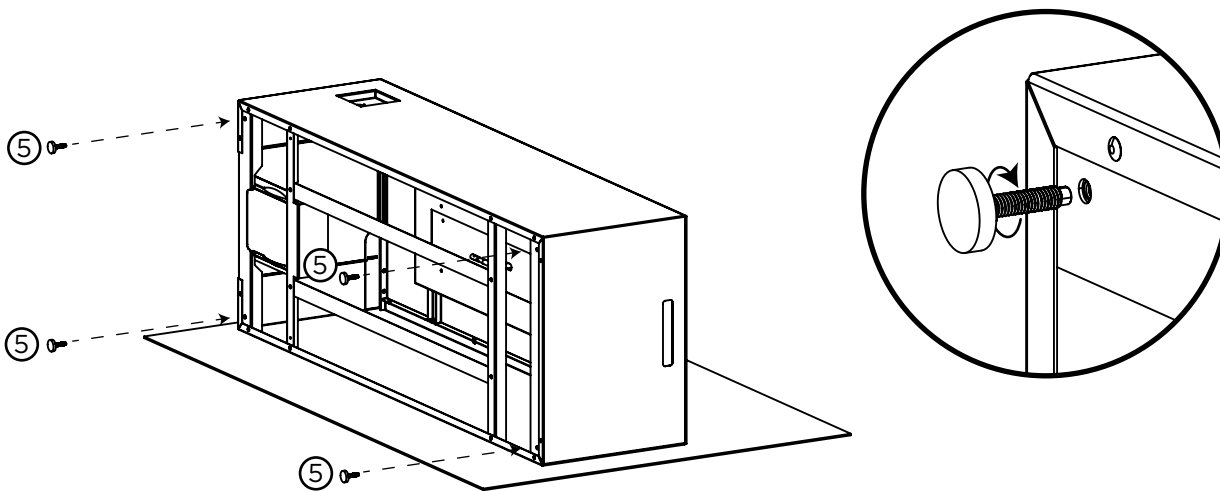
①

# ASSEMBLY INSTRUCTIONS

1. Carefully turn the fire table on its side, using a piece of cardboard or a blanket to protect the finish.



2. Secure the 4 feet (5) in place as shown below.



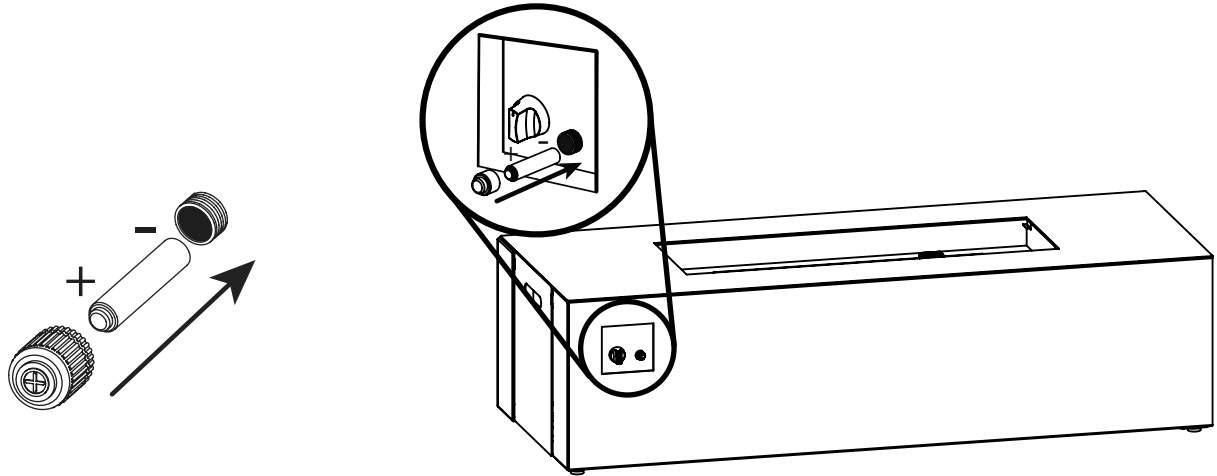
## **⚠ WARNING**

The adjustable feet must be installed correctly on the fire table before operation to ensure safe use.



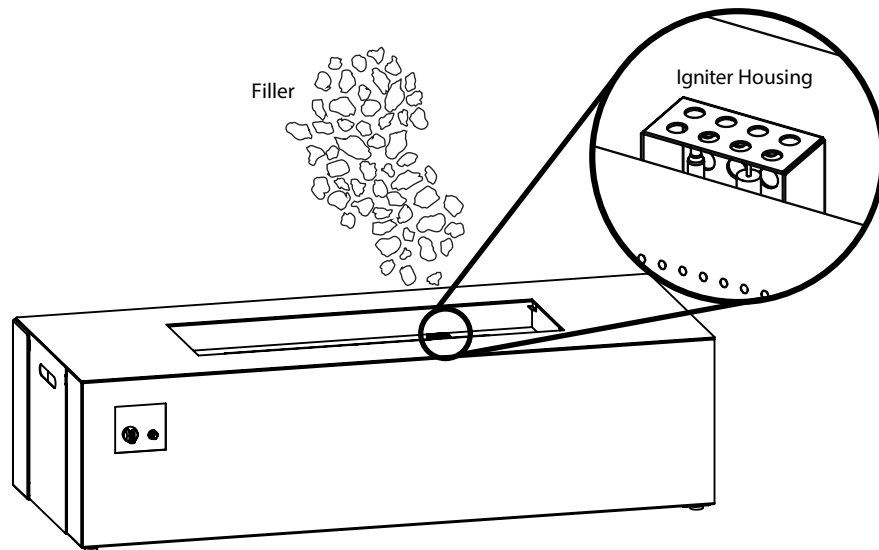
# ASSEMBLY INSTRUCTIONS

3. Install the AA battery as shown in the diagram below.



4. Place the filler material into the burner pan by hand. To avoid clogging the burner with dust do not dump the bag into the burner pan. Position the filler across the burner pan to a level that is 1 inch (2.54 cm) above the burner tube. Make sure you do not block the igniter housing with the filler material to ensure proper ignition and operation.

If using glass filler, place a layer of lava rock in the burner pan to improve airflow.

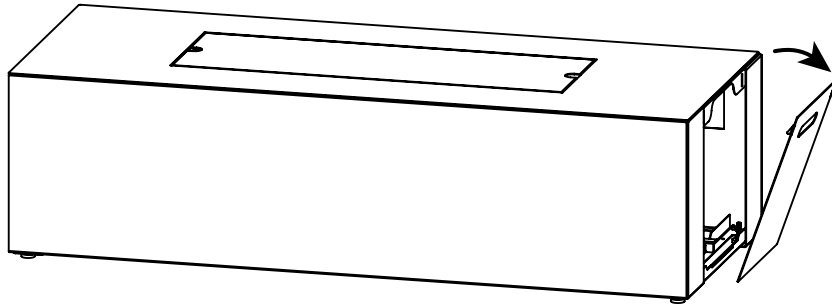
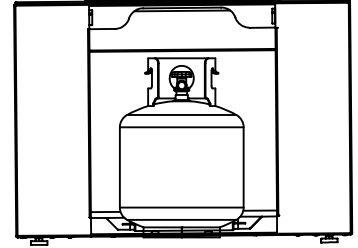


## Filler Material Warning

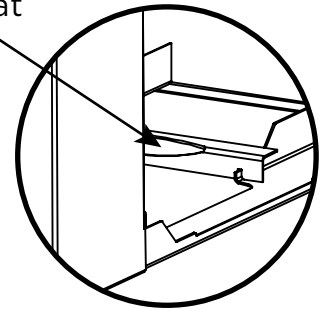
- Do not overfill the burner area with rock or glass filler; use only the specified amount. The depth of the filler should not be more than 1 inch (2.54 cm) above the burner tube. Using other filler material may result in increased popping and cracking or increased carbon monoxide emissions.
- Do not light or use this fireplace if the filler is wet. Ensure filler is completely dry before lighting. Intense heat can cause wet filler to explode and hit someone causing property damage, serious injury, or death.
- Keep away from the fireplace for at least 20 minutes during initial start-up as filler could retain moisture from manufacturing and shipping.

# ASSEMBLY INSTRUCTIONS

5. Make sure the gas supply is turned to “OFF”. Remove the door and place the tank in the tank seat divits so that it sits securely and is level.



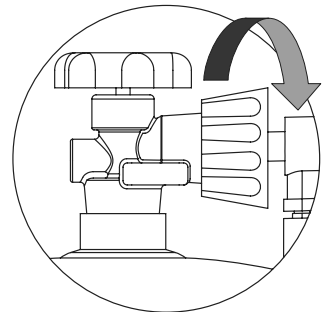
Tank Seat



## 6. Connect the LP Gas Tank

Before connection, be sure there is no debris caught in the collar of the LP gas tank, the regulator valve, the burner tube, or the burner ports.

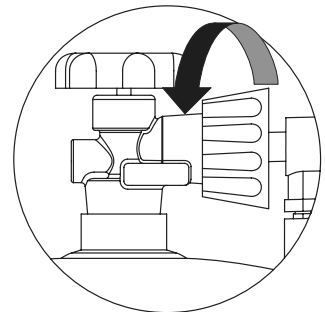
Connect the gas line to the tank by turning the connection knob clockwise. Hand-tighten only.



## Disconnect the LP Gas Tank

To disconnect the LP gas tank, make sure the valve on the LP gas tank is completely closed.

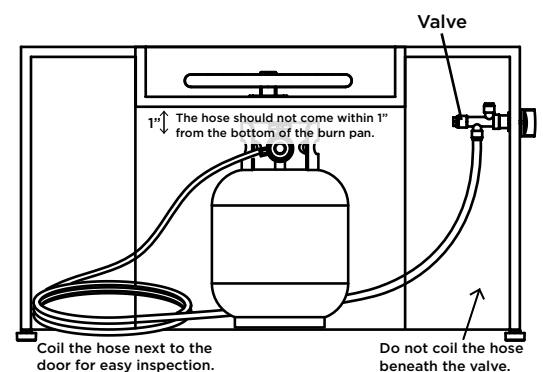
Disconnect the connection knob by turning it counterclockwise until it is detached from the valve.



## ⚠ WARNING

If the table is installed with a portion of the hose under the table, the hose must be secured, so that no part of the hose will be within 1" or come in contact with the underside of the burn pan or where the hose will not be accidentally damaged or pinched.

Failure to secure the hose in a safe location may result in a gas leak that could cause property damage, injury, or death. Follow all other hose inspection instructions listed in this manual.



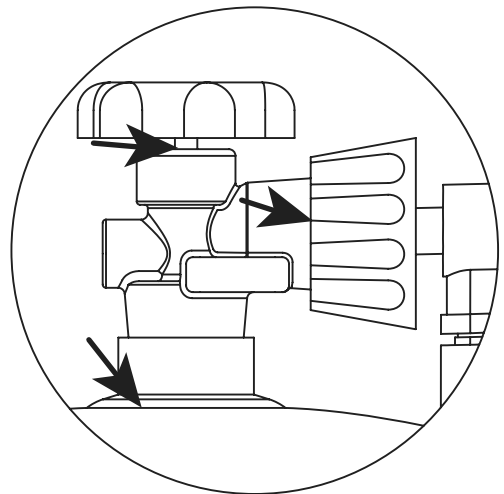
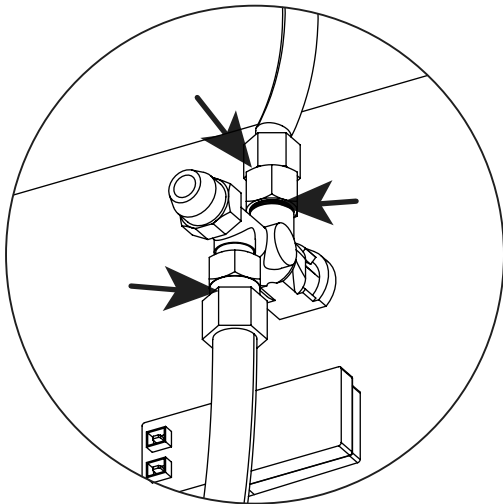
# PRE-USE INSTRUCTIONS

## **⚠ WARNING**

Before using this fireplace, make sure you have read, understand, and are following all information provided in this manual. Failure to follow these instructions could cause property damage, serious injury, or death.

## Checking for Leaks

1. Make a leak check solution by mixing 1 part dishwashing soap with 3 parts water in a spray bottle.
2. Make sure the control knob on the fireplace is in the “OFF” position, then connect your fireplace to the LP gas tank and turn the tank’s valve on.
3. Spray the leak solution on the valve connections, paying particular attention to the areas indicated by arrows in the diagrams below.
4. If bubbles appear, turn the LP gas tank off, disconnect the tank, and inspect all connections, making sure threads are clear of debris. Reconnect the LP gas tank and retest. If you continue to see bubbles, turn the LP gas tank off. Disconnect the hose.
5. If no bubbles appear after 1 minute, wipe away excess leak solution and proceed to “Lighting Instructions.”

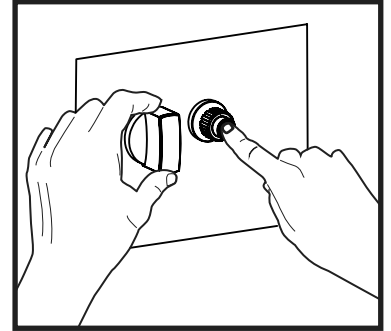


**Pay close attention to the areas indicated by the arrows.**

# LIGHTING INSTRUCTIONS

## Using the Igniter

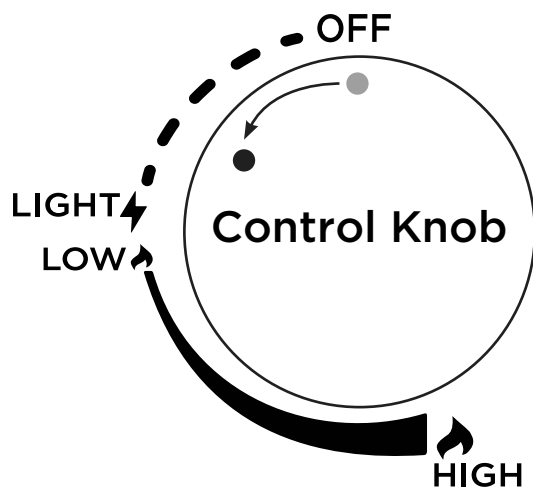
1. Read and understand all operating instructions before lighting.
2. Before beginning, make sure the control knob is in the “OFF” position.
3. Connect your LP gas tank (see previous pages).
4. Slowly open the valve on your LP gas tank.



5. Prepare to ignite your fireplace by placing one hand on the control knob and one hand on the igniter button (see diagram). **DO NOT** lean over any part of the burner. Verify that the area around the burner is free of hazards.
6. Push and hold the igniter button. You should hear a clicking sound.
7. While keeping the ignition button depressed, use your other hand to push in and turn the control knob counterclockwise to the “LIGHT” position.
8. Once the burner ignites, release the igniter button, but continue to keep the control knob pushed in for 15 seconds.

**WARNING:** If ignition does not occur in 15 seconds, turn the control knob to the “OFF” position and turn the gas off at its source. Make sure there is no source of ignition around the fireplace and wait at least 5 minutes until the gas has cleared to repeat the lighting procedure. Failure to do so could result in a large flashback of pooled gas, causing property damage, serious injury, or death.

9. After successfully lighting the fireplace, release the control knob and turn it to the “LOW” setting. Observe the flame and make sure that all the burner ports are lit.
10. Adjust the flame to the desired height using the control knob.



## Flame Height



8-14"

(20.3-35.5 cm)

## Shut-Off Instructions

1. Turn the control knob to the “OFF” position.
2. Close the valve on the LP gas tank to shut off gas flow.

# CARE AND CLEANING

## Inspecting Your Fireplace

---

### **⚠ WARNING**

DO NOT inspect, clean, move or store your fireplace until the flames are COMPLETELY out and all parts are cool to the touch.

Your fireplace should be inspected regularly to ensure that it is safe to use and to extend the life of its parts.

To inspect your fireplace follow these steps:

1. Make sure all parts are securely fastened in place. If a part moves when touched, check its connection points to see if they are loose.
2. Check all connections for leaks using the method described in the “Checking for Leaks” section of this manual.
3. Check the igniter system by pushing the igniter button and verifying that a spark is being generated in the igniter housing.
4. Visually check all components for any signs of damage, rust, or excessive wear.
5. If damage or leaks of any kind are found. DO NOT operate the fireplace until the proper repairs have been made.

## General Care and Cleaning

---

After repeated use, a slight discoloration or weathering of the fireplace finish may occur. Your fireplace should be cleaned regularly to ensure safe use and extend its life.

### **General Cleaning**

Make a cleaning solution using a mild soap mixed with water. Use a soft cloth to wipe down exterior surfaces and rinse with clean water. Never use oven cleaners or abrasive solvents as these will damage the fireplace.

### **Burner**

The burner should be kept clean to ensure proper operation. Clogged burner ports may be cleared with a paper clip or pin. Debris in the burner tube can be cleaned using compressed air or a pipe cleaning brush.

### **Soot**

After use it is possible for soot to develop on some surfaces. This soot deposit will usually come off with water and mild soap.

## Storage

---

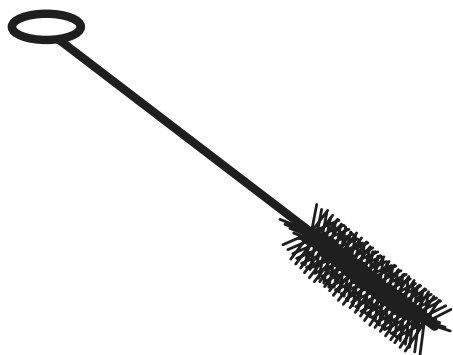
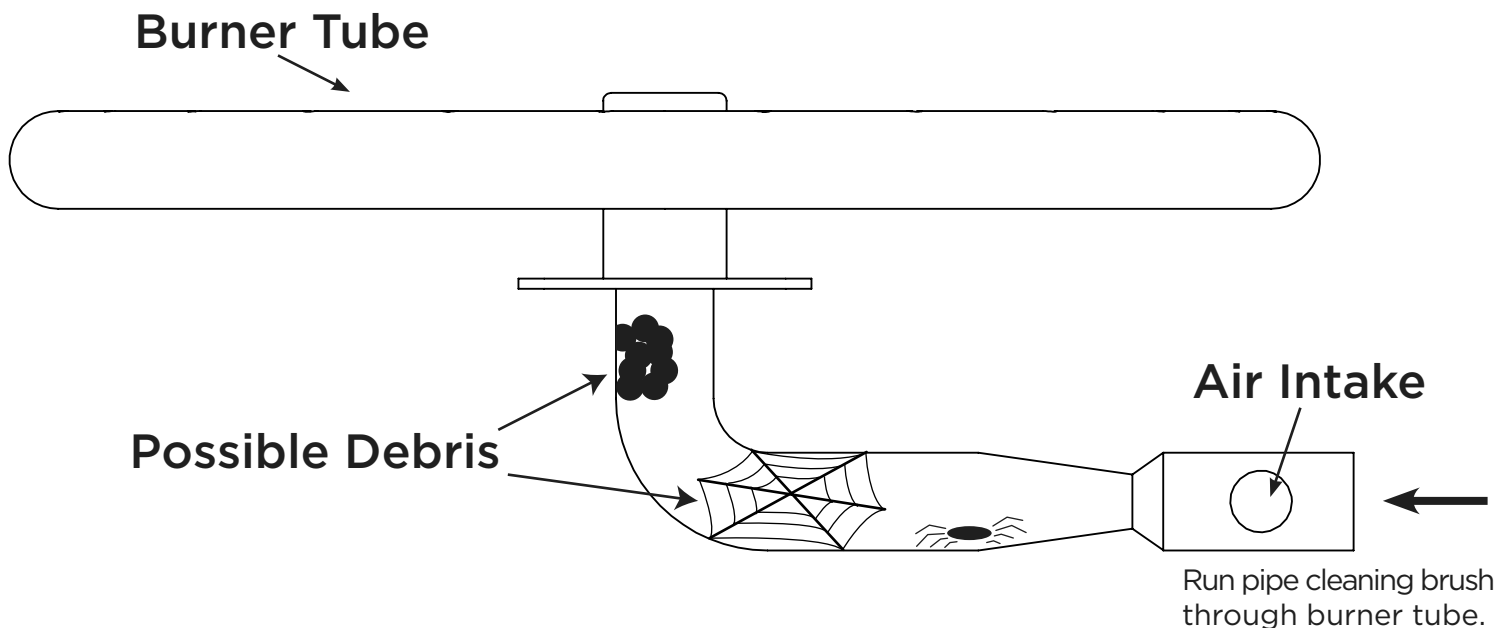
1. Turn the LP gas supply off at the tank. Remove the LP gas tank and store it in a cool, dry location, outside and away from children.
2. Secure all loose filler material or parts.
3. Remove the battery from the igniter box.
4. Cover the fireplace when not in use and do not allow water to pool on the cover surface. Covering the fireplace will help to protect the internal components from dirt and debris and prevent the finish from fading.
5. Store the fireplace in a cool, dry location away from children and pets.

# SPIDER AND INSECT WARNING

Spiders or other insects may build webs or nests in your fireplace burner tube which can obstruct or block the flow of gas.

Some of the gas may back up in the burner tube and cause a flashback (a fire in the burner tube or underneath the fireplace), which could result in property damage, serious injury, or death. Check and clean the burner tube periodically using a pipe cleaning brush (shown below) and compressed air available at any hardware store.

**Example of a typical burner tube.  
Your exact burner may vary.**



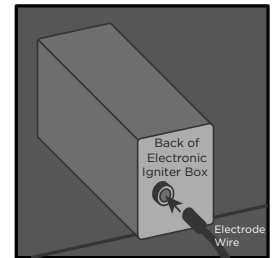
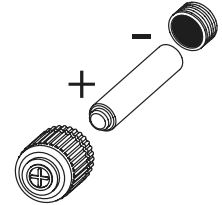
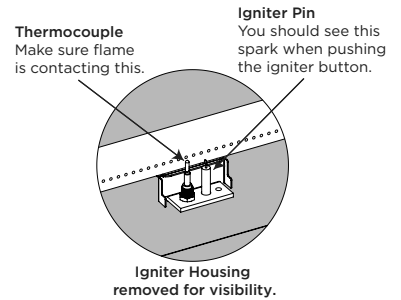
**Example of pipe cleaning brush available at local hardware store.**

# TIPS AND TROUBLESHOOTING

## If the Fireplace Will Not Ignite

If the igniter system is working correctly, you should hear a clicking sound while the igniter button is being pushed and you should see a spark inside the igniter housing. If you do not see the spark or hear a clicking sound, please check the following:

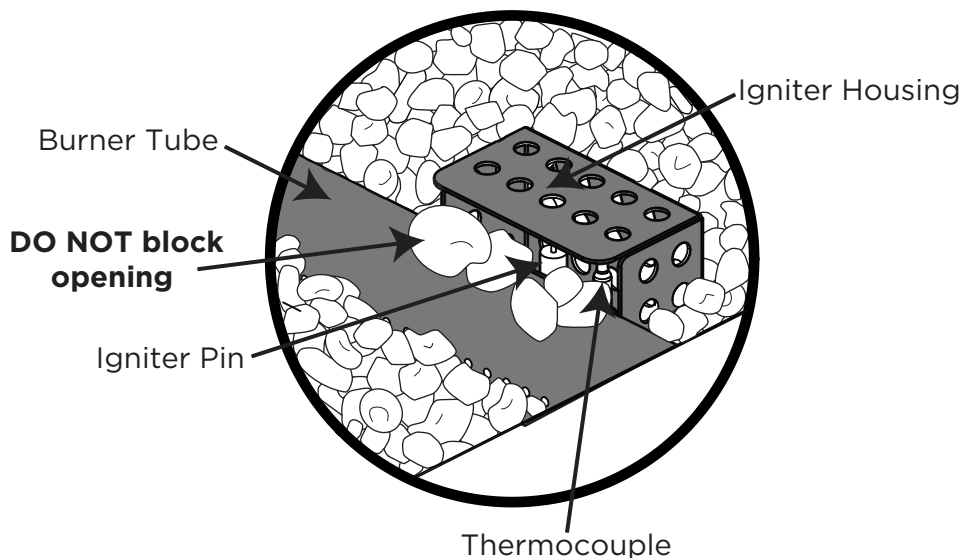
1. Make sure the battery is not dead and that it is installed correctly, with the positive (+) side facing out.
2. If you still do not hear a clicking sound or see a spark in the igniter box, look under the fireplace and make sure that the electrode wire is correctly inserted into the back of the electronic igniter box. While inspecting the electrode wire, make sure that it is not cut or broken in any place.



## If the Fireplace Will Not Stay Lit

If the fireplace lights, but will not stay lit, or remains lit only for a brief time, please check the following:

1. Make sure that the igniter housing is unobstructed. Clear away any filler material or debris on the housing and make sure there is nothing between the igniter pin and the thermocouple.

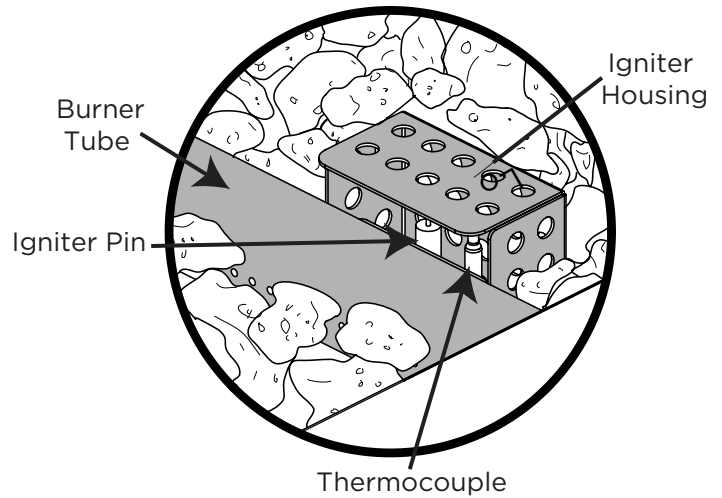


# TIPS AND TROUBLESHOOTING

## If the Fireplace Will Not Stay Lit (Cont.)

2. Make sure the thermocouple and igniter pin are correctly positioned.

**Thermocouple** - The thermocouple tip should be located close to the burner, aligned with a burner port so that flames contact it directly. Make sure the flames are making contact with the thermocouple tip.



### Damaged Thermocouple

If the igniter housing and the thermocouple tip are clear of debris and the flame is clearly contacting the tip of the thermocouple, but the fireplace will still not stay lit, the thermocouple may be damaged. Look beneath the fireplace and find the copper thermocouple wire coming out of the back of the valve. Examine the length of it for any signs of damage. Sharp bends, kinks or damage can cause the thermocouple to not function correctly.

**Igniter Pin** - The igniter pin is where the spark is generated to ignite your fireplace. Make sure you can see this sparking when the igniter button is pushed.

## Other Common Problems

### Clogged or Obstructed Burner

It is common for bugs, especially spiders, to make webs or nests inside of burner tubes. If it seems like you are getting low or no gas flow, visually check all openings in the burner for signs of clogs. If you see anything clogging the burner try using a pipe cleaning brush and compressed air to remove the debris.

### Out of Gas

Be sure your LP gas tank is not empty. Low tanks can result in lower flames.

### Cold Temperatures

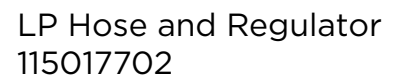
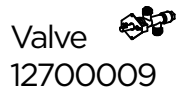
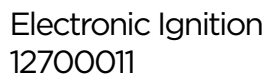
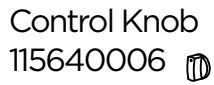
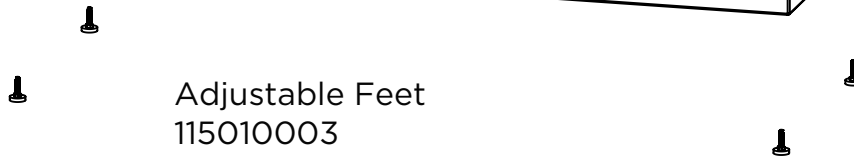
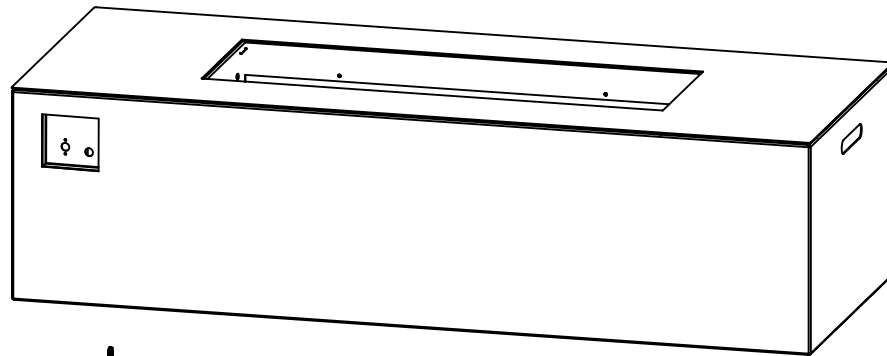
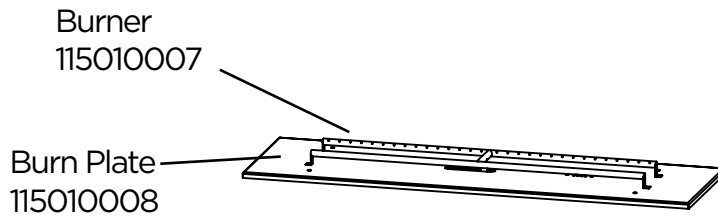
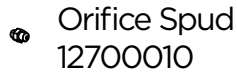
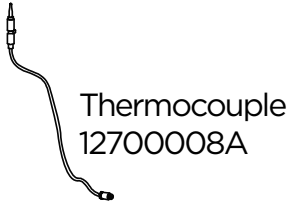
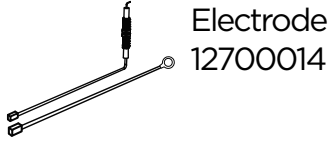
Cold temperatures outside may result in lower LP gas tank pressures causing the flames to be lower. Do not use your fireplace in extreme temperature conditions. Allow the temperature of your LP gas tank to rise and as the pressure in the LP gas tank increases the flame size will increase. NEVER heat your LP gas tank; allow it to warm up naturally.

### High Winds

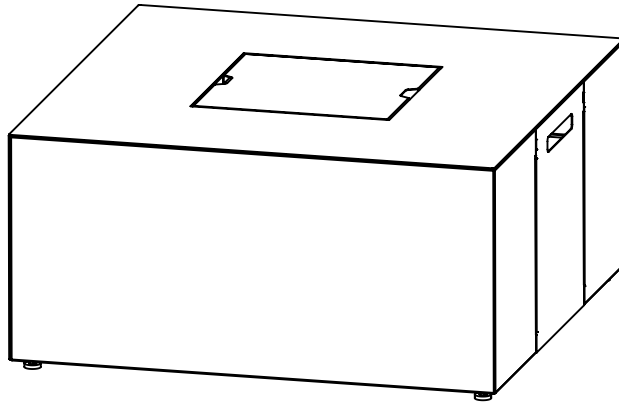
Your fireplace is designed to operate in winds up to 10 mph (16.09 kph). High winds may cause the flame to blow out. Do not operate your fireplace in high wind conditions.



# TECHNICAL PARTS LIST



# ARHAUS<sup>®</sup>



## Coden Square Propane Firepit

### **⚠ DANGER**

#### **CARBON MONOXIDE HAZARD**

This appliance can produce carbon monoxide which has no odor. Using it in an enclosed space can kill you.

Never use this appliance in an enclosed space such as a camper, tent, car or home.



### **⚠ DANGER**

#### **FIRE OR EXPLOSION HAZARD**

If you smell gas:

- Shut off gas to the appliance.
- Extinguish any open flame.
- If odor continues, leave the area immediately.
- After leaving the area, call your gas supplier or fire department. Failure to follow these instructions could result in fire or explosion, which could cause property damage, personal injury, or death.

### **⚠ WARNING: FOR OUTDOOR USE ONLY.**

Installation and service must be performed by a qualified installer, service agency, or the gas supplier.

**INSTALLER:** Leave this manual with the appliance.

**CONSUMER:** Retain this manual for future reference.

**⚠ WARNING:** If the information in this manual is not followed exactly, a fire or explosion may result causing property damage, serious injury, or loss of life.

**⚠ WARNING:** Do not store or use gasoline or other flammable vapors and liquids in the vicinity of this or any other appliance.

An LP gas tank not connected for use shall not be stored in the vicinity of this or any other appliance.

# TABLE OF CONTENTS

Important Safety Information	3
Propane (LP) Gas Dangers and Warnings	5
Parts List	6
Assembly Instructions	7
Pre-Use Instructions	10
Lighting Instructions	11
Care and Cleaning	12
Spider and Insect Warning	13
Tips and Troubleshooting	14
Technical Parts List	16

# IMPORTANT SAFETY INFORMATION

## General Warnings

---

- **Children and adults should be alerted to the hazards of high surface temperatures and should stay away to avoid burns or clothing ignition.**
- **Children should be carefully supervised when in the area of the fireplace.**
- **Clothing or other flammable materials should not be hung from the fireplace or placed on or near the fireplace.**
- **Any guard or other protective device removed for servicing the fireplace must be replaced prior to operating the fireplace.**
- **Installation and service must be performed by a qualified service agency or gas supplier.**
- **More frequent cleaning may be required as necessary. It is imperative that the control compartment, burners, and circulating air passageways of the appliance are kept clean.**
- Do not store or use gasoline or other flammable vapors or liquids within 25 feet (7.62 m) of this fireplace or any other appliance.
- Do not store combustible materials in the fireplace enclosure. This includes LP gas tanks. If the fireplace is designed to use a hidden LP gas tank, the LP gas tank should be properly secured in the designated tank holder under the fireplace. Do not store extra LP gas tanks under the fireplace.
- Be sure to protect the hose and its components from any hot surfaces. It is dangerous to allow the hose to come into contact with any hot surface.
- The LP gas tank should never be operated or stored on its side or upside down.
- Keep all parts of the fireplace clean including the burner and hose assembly. For more information on cleaning your fireplace please refer to the “Care and Cleaning” section of this manual.
- Do not use this fireplace if any part has been under water. Immediately call a qualified service technician to inspect the fireplace and replace any part of the system that has been under water.
- Do not use this fireplace for cooking.
- Do not pour water into the fireplace.
- Do not attempt to move or store this fireplace until all parts are cool.
- Always shut off the gas supply at the source and disconnect the hose when the fireplace is not in use.
- Any alteration of this fireplace that is not specifically directed in the owner’s manual will void the manufacturer’s warranty. This includes the use of unapproved filler materials.

# IMPORTANT SAFETY INFORMATION

## Installation Warnings

---

- Minimum clearance from the fireplace to combustible materials is 48 inches (121.9 cm) on all sides. Do not place this fireplace under any overhead structure or vegetation.
- The normal LP inlet pressure for this fireplace is 11.0" W.C. (2.74 kPa). Maximum inlet pressure is 13.0" W.C. (3.23 kPa). Minimum inlet pressure is 8" W.C. (1.99 kPa).
- Do not remove the feet from this fireplace.
- Do not place the fireplace on anything that blocks or seals the gap between the fireplace and the ground.
- Do not permanently secure the fireplace in any way or to any surfaces.
- Do not bury the hose. You must be able to visually inspect the hose for damage before each use.

## Set Up Warnings

---

- Prior to each operation, check the hose assembly for evidence of excessive abrasion, wear or damage. Use a handheld mirror, if necessary, to see the hose sections located below the unit.
- If the hose assembly is damaged, cracked, or cut, it must be replaced before using the fireplace.
- Place the hose out of the pathways where people may trip over it. Do not place the hose in areas where it may be accidentally damaged.
- Before each use, examine the burner and its components for dirt and debris. If cleaning is required, use a pipe cleaning brush and compressed air. Also examine the area around the burner. Any dirt or foreign material, such as spider webs, nests, leaves, etc., should be removed. If it is evident that the burner is damaged, the fireplace must not be used, and the burner assembly must be replaced.

## In-Use Warnings

---

- NEVER LEAVE this fireplace unattended when in use.
- Do not burn solid fuels, such as charcoal briquettes, lump charcoal, manufactured logs, trash, leaves, paper, cardboard, any type of natural or treated wood, or any other materials in this fireplace.
- The use of alcohol, prescription or non-prescription drugs may impair your ability to safely operate this fireplace.
- Always use in accordance with all applicable local, state, and national codes. Contact your local fire department for details on outdoor burning.
- Do not use in windy conditions. Windy conditions may cause the flame to drift out of the designated burn area or may cause the flame to extinguish. Prolonged exposure to wind with the fire table in operation can damage the finish around the burner area, causing discoloration or cracking.
- Some surfaces of this fireplace may become hot during use. Be careful and do not touch surfaces until the unit has cooled.
- Do not attempt to disconnect the gas supply from the fireplace when the unit is in use.
- Do not sit on the fireplace.

# PROPANE (LP) GAS DANGERS AND WARNINGS

## **⚠ WARNING**

LP gas is flammable and hazardous if handled improperly. Become aware of its characteristics before using any LP gas product. Failure to understand and follow these warnings or any directions and warnings provided by your LP gas supplier may result in property damage, serious injury, or death.

## **⚠ DANGER**

An LP gas tank should never be placed on its side. Doing so may cause liquid propane to leak. This could cause a fast buildup of LP gas and could lead to property damage, serious injury, or death.

## **LP Gas Characteristics**

- LP gas is flammable, explosive under pressure, heavier than air and settles in pools in low areas. Pooled gas may ignite causing a fire or explosion which could cause property damage, serious injury, or death.
- In its natural state, LP gas has no odor. For your safety, a scent has been added.
- Contact with LP gas could burn your skin.

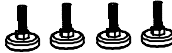



## **LP Gas Tank Information**

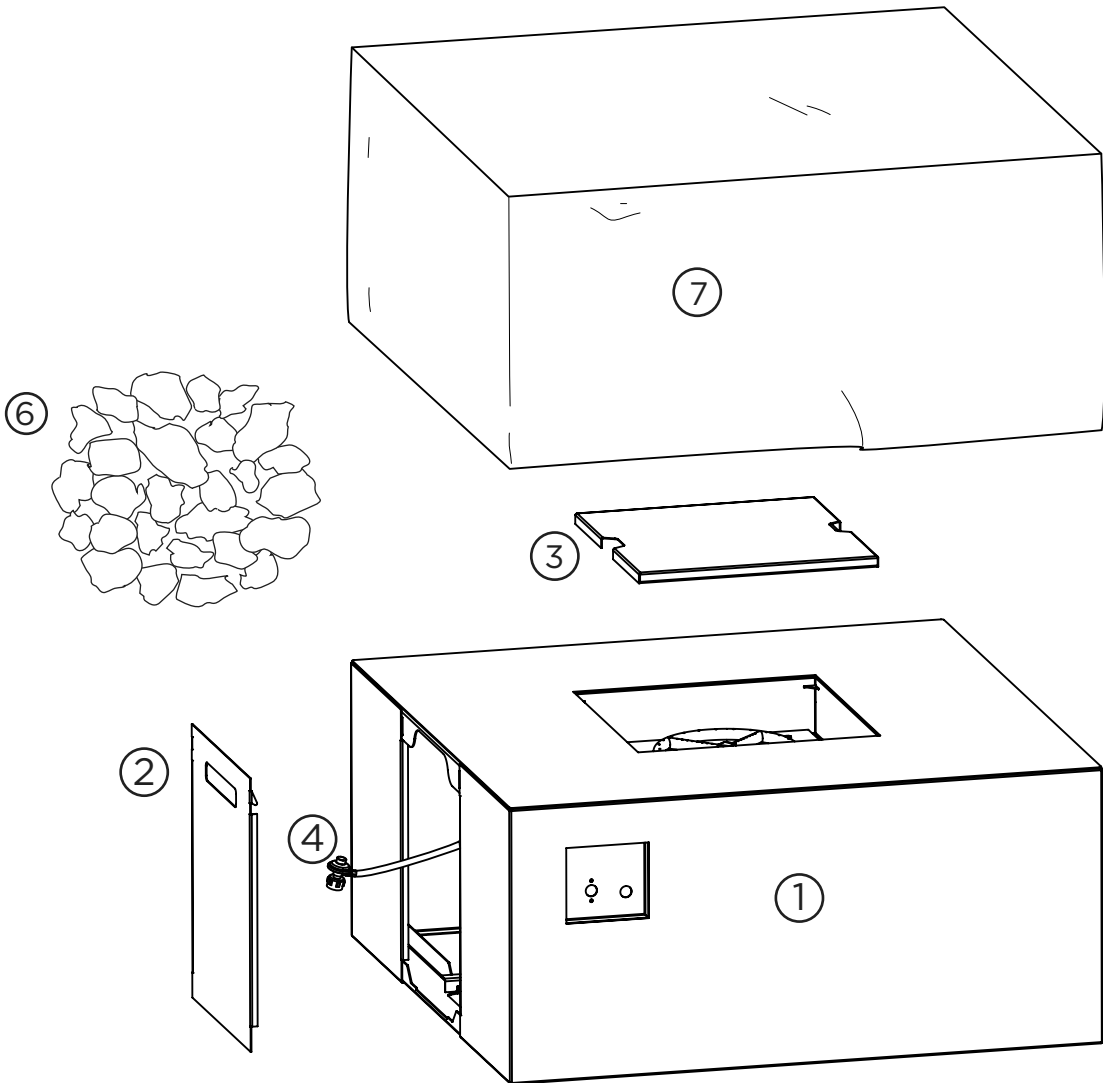
- LP gas tanks should be filled only by a certified LP gas dealer.
- Never use an LP gas tank with a damaged body, valve, collar or footing.
- Dented or rusted LP tanks may be hazardous and should be checked by your LP gas supplier.
- The LP gas supply tank must be constructed and marked in accordance with *The Specifications for LP Gas Tanks of The U.S. Department of Transportation (DOT) or The National Standard of Canada, CAN/CSA-B339, LP Gas Tanks, Spheres and Tubes for The Transportation of Dangerous Goods; and Commission.*
- LP gas tanks must be arranged for vapor withdrawal.
- LP gas tanks must have a listed overfilling prevention device (OPD) and a QCCI or Type I (CGA810) LP gas tank connection.
- The LP gas tank must contain a shut-off valve as specified in *The Standard for Compressed Gas Cylinder Valve Outlet and Inlet Connection, ANSI/CGA-V-1-1977, CSA B96.*
- Never attempt to attach this fireplace to the self-contained LP gas system of a camper, trailer, motor home or house.
- Hand-turn the manual gas control valve on your LP gas tank. Never use tools. If the valve will not turn by hand, do not try to repair it. Call a certified gas technician.
- The use of force or any attempt at amateur repair may cause a fire or explosion.

## **LP Gas Tank Storage and Safety**

- LP gas tanks must be stored upright and outdoors in a well-ventilated area out of reach of children.
- Never store an LP gas tank in an enclosed area, such as a shed or garage. Leaking gas could build up in these areas and may result in an explosion.
- Do not store LP gas tanks near any source of flame or ignition.
- Never store an LP gas tank in direct sunlight or where temperatures can reach 125°F (51.67°C) or higher.
- Never keep a filled LP gas tank in a hot car or car trunk. Heat will cause the gas pressure to increase, which may open the relief valve and allow gas to escape.
- Place the dust cap on the LP gas tank valve outlet when the LP gas is not in use. Only use the dust cap that is provided with the LP gas tank. Other types of caps or plugs may result in leakage of LP gas.
- The LP gas tank should not be dropped or handled roughly.

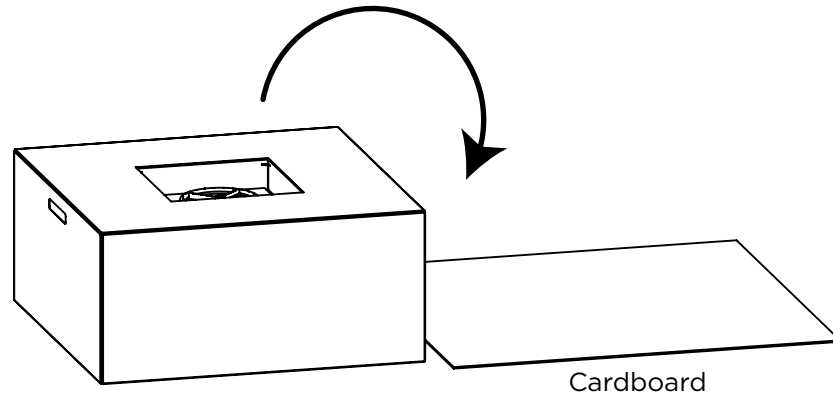
# PARTS LIST

Item	Number	Quantity	
① Fire Table	N/A	1	
② Door	CBN - 20402801 TGR - 20402001	1	⑤
③ Lid	CBN - 20402802 TGR - 20402002	1	⑨ 
④ LP Regulator and Hose	115017702	1	⑨
⑤ Leveling Feet	115010003	4	
⑥ Lava Rock	100240120J	3 Boxes	
⑦ AA Battery	N/A	1	
⑧ Igniter Button	115640005	1	⑧
⑨ Control Knob	115640006	1	⑦ 
⑩ Protective Cover	20400003	1	

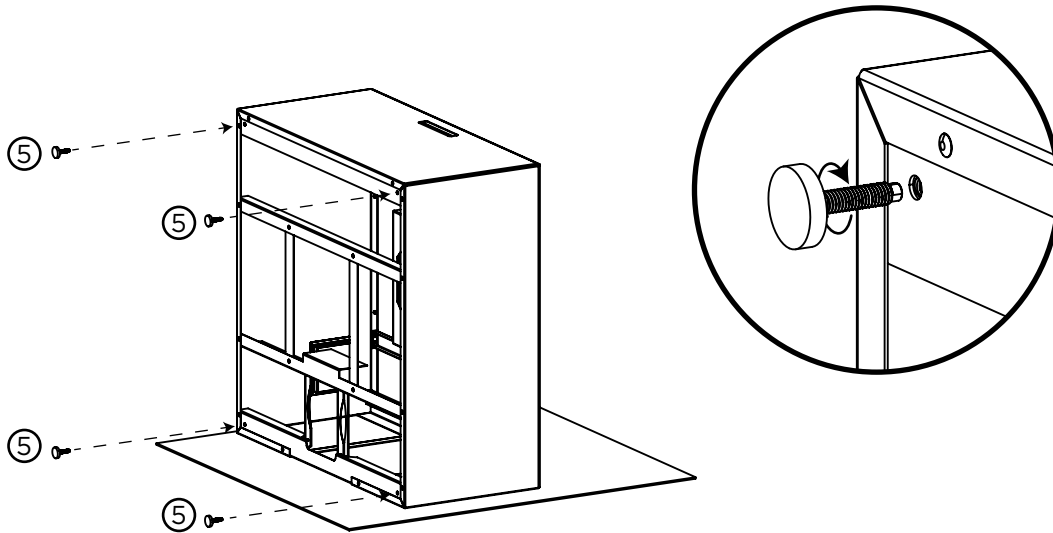


# ASSEMBLY INSTRUCTIONS

1. Carefully turn the fire table on its side, using a piece of cardboard or a blanket to protect the finish.



2. Secure the 4 feet (5) in place as shown below.



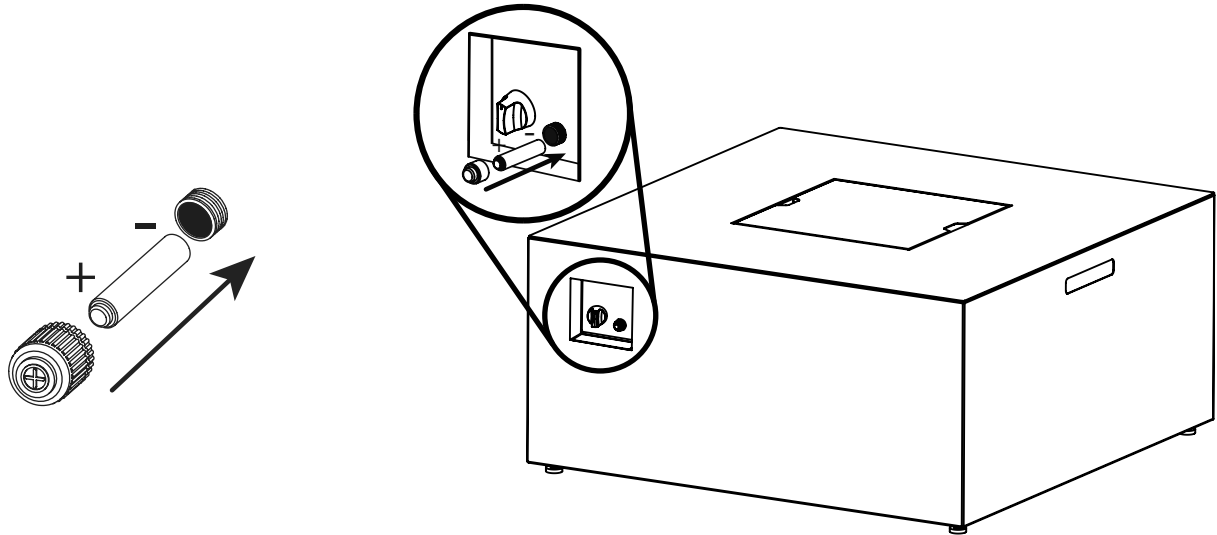
## **⚠ WARNING**

The adjustable feet must be installed correctly on the fire table before operation to ensure safe use.



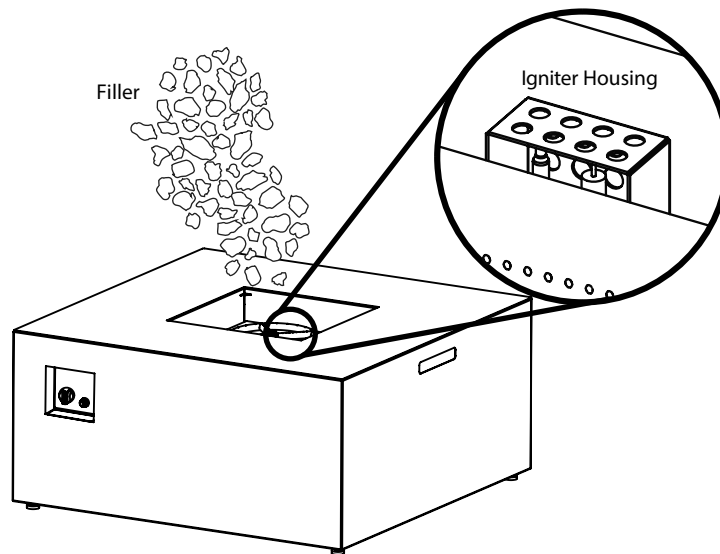
# ASSEMBLY INSTRUCTIONS

3. Install the AA battery as shown in the diagram below.



4. Place the filler material into the burner pan by hand. To avoid clogging the burner with dust do not dump the bag into the burner pan. Position the filler across the burner pan to a level that is 1 inch (2.54 cm) above the burner tube. Make sure you do not block the igniter housing with the filler material to ensure proper ignition and operation.

If using glass filler, place a layer of lava rock in the burner pan to improve airflow.

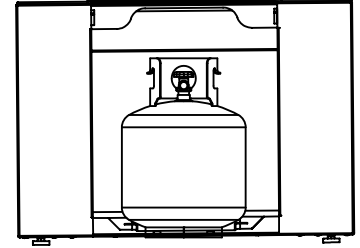
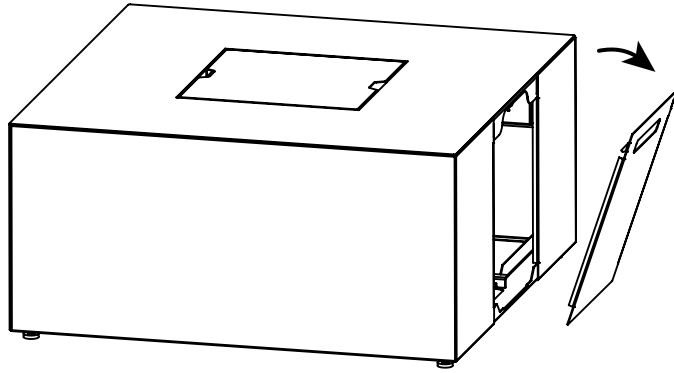


## Filler Material Warning

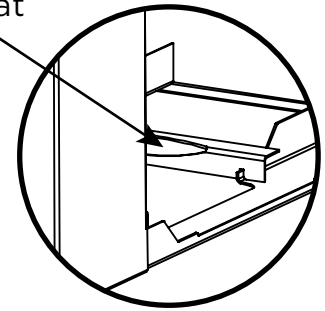
- Do not overfill the burner area with rock or glass filler; use only the specified amount. The depth of the filler should not be more than 1 inch (2.54 cm) above the burner tube. Using other filler material may result in increased popping and cracking or increased carbon monoxide emissions.
- Do not light or use this fireplace if the filler is wet. Ensure filler is completely dry before lighting. Intense heat can cause wet filler to explode and hit someone causing property damage, serious injury, or death.
- Keep away from the fireplace for at least 20 minutes during initial start-up as filler could retain moisture from manufacturing and shipping.

# ASSEMBLY INSTRUCTIONS

5. Make sure the gas supply is turned to "OFF". Remove the door and place the tank in the tank seat divits so that it sits securely and is level.



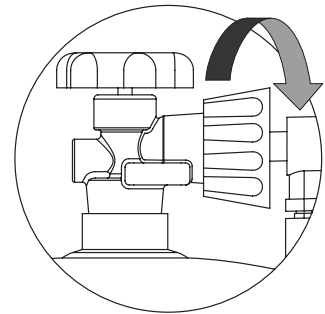
Tank Seat



## 6. Connect the LP Gas Tank

Before connection, be sure there is no debris caught in the collar of the LP gas tank, the regulator valve, the burner tube, or the burner ports.

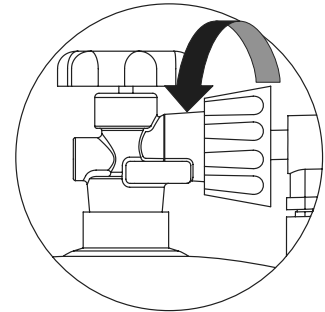
Connect the gas line to the tank by turning the connection knob clockwise. Hand-tighten only.



## Disconnect the LP Gas Tank

To disconnect the LP gas tank, make sure the valve on the LP gas tank is completely closed.

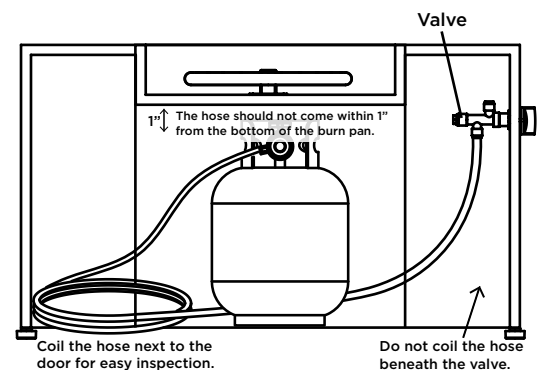
Disconnect the connection knob by turning it counterclockwise until it is detached from the valve.



## ⚠ WARNING

If the table is installed with a portion of the hose under the table, the hose must be secured, so that no part of the hose will be within 1" or come in contact with the underside of the burn pan or where the hose will not be accidentally damaged or pinched.

Failure to secure the hose in a safe location may result in a gas leak that could cause property damage, injury, or death. Follow all other hose inspection instructions listed in this manual.



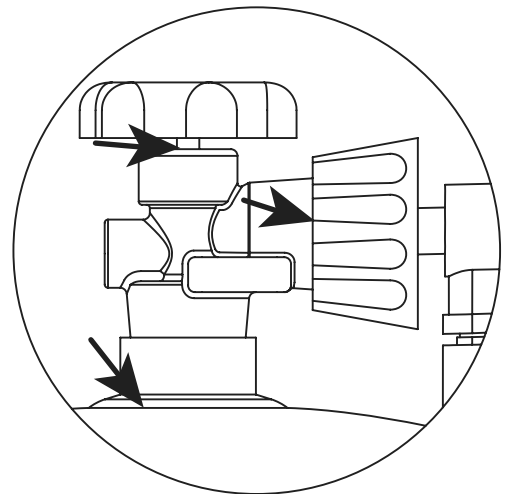
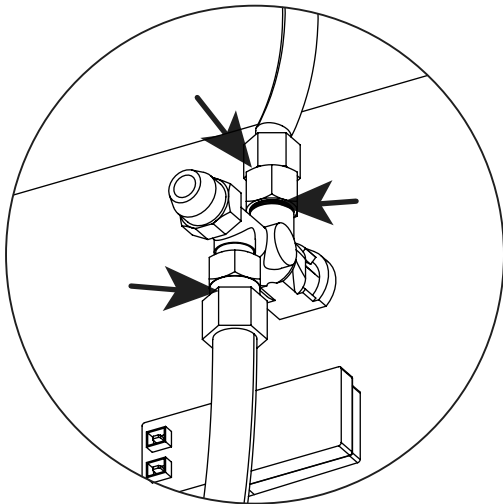
# PRE-USE INSTRUCTIONS

## **⚠ WARNING**

Before using this fireplace, make sure you have read, understand, and are following all information provided in this manual. Failure to follow these instructions could cause property damage, serious injury, or death.

## Checking for Leaks

1. Make a leak check solution by mixing 1 part dishwashing soap with 3 parts water in a spray bottle.
2. Make sure the control knob on the fireplace is in the “OFF” position, then connect your fireplace to the LP gas tank and turn the tank’s valve on.
3. Spray the leak solution on the valve connections, paying particular attention to the areas indicated by arrows in the diagrams below.
4. If bubbles appear, turn the LP gas tank off, disconnect the tank, and inspect all connections, making sure threads are clear of debris. Reconnect the LP gas tank and retest. If you continue to see bubbles, turn the LP gas tank off.
5. If no bubbles appear after 1 minute, wipe away excess leak solution and proceed to “Lighting Instructions.”

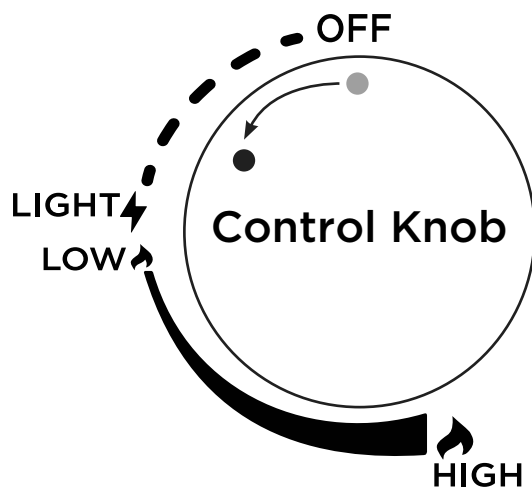
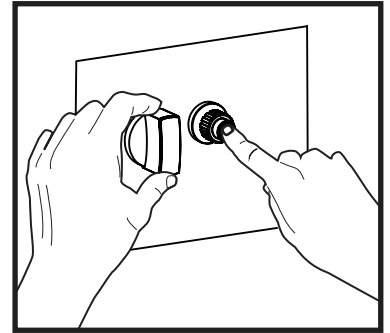


**Pay close attention to the areas indicated by the arrows.**

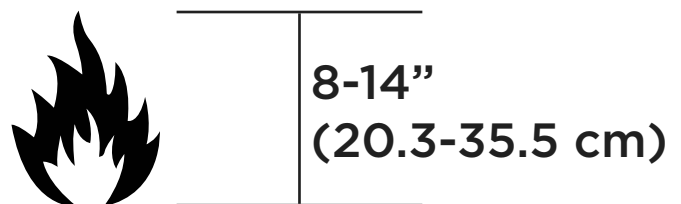
# LIGHTING INSTRUCTIONS

## Using the Igniter

1. Read and understand all operating instructions before lighting.
2. Before beginning, make sure the control knob is in the “OFF” position.
3. Connect your LP gas tank (see previous pages).
4. Slowly open the valve on your LP gas tank.
5. Prepare to ignite your fireplace by placing one hand on the control knob and one hand on the igniter button (see diagram). **DO NOT** lean over any part of the burner. Verify that the area around the burner is free of hazards.
6. Push and hold the igniter button. You should hear a clicking sound.
7. While keeping the ignition button depressed, use your other hand to push in and turn the control knob counterclockwise to the “LIGHT” position.
8. Once the burner ignites, release the igniter button, but continue to keep the control knob pushed in for 15 seconds.  
**WARNING:** If ignition does not occur in 15 seconds, turn the control knob to the “OFF” position and turn the gas off at its source. Make sure there is no source of ignition around the fireplace and wait at least 5 minutes until the gas has cleared to repeat the lighting procedure. Failure to do so could result in a large flashback of pooled gas, causing property damage, serious injury, or death.
9. After successfully lighting the fireplace, release the control knob and turn it to the “LOW” setting. Observe the flame and make sure that all the burner ports are lit.
10. Adjust the flame to the desired height using the control knob.



## Flame Height



## Shut-Off Instructions

1. Turn the control knob to the “OFF” position.
2. Close the valve on the LP gas tank to shut off gas flow.

# CARE AND CLEANING

## Inspecting Your Fireplace

---

### **⚠ WARNING**

DO NOT inspect, clean, move or store your fireplace until the flames are COMPLETELY out and all parts are cool to the touch.

Your fireplace should be inspected regularly to ensure that it is safe to use and to extend the life of its parts.

To inspect your fireplace follow these steps:

1. Make sure all parts are securely fastened in place. If a part moves when touched, check its connection points to see if they are loose.
2. Check all connections for leaks using the method described in the “Checking for Leaks” section of this manual.
3. Check the igniter system by pushing the igniter button and verifying that a spark is being generated in the igniter housing.
4. Visually check all components for any signs of damage, rust, or excessive wear.
5. If damage or leaks of any kind are found. DO NOT operate the fireplace until the proper repairs have been made.

## General Care and Cleaning

---

After repeated use, a slight discoloration or weathering of the fireplace finish may occur. Your fireplace should be cleaned regularly to ensure safe use and extend its life.

### **General Cleaning**

Make a cleaning solution using a mild soap mixed with water. Use a soft cloth to wipe down exterior surfaces and rinse with clean water. Never use oven cleaners or abrasive solvents as these will damage the fireplace.

### **Burner**

The burner should be kept clean to ensure proper operation. Clogged burner ports may be cleared with a paper clip or pin. Debris in the burner tube can be cleaned using compressed air or a pipe cleaning brush.

### **Soot**

After use it is possible for soot to develop on some surfaces. This soot deposit will usually come off with water and mild soap.

## Storage

---

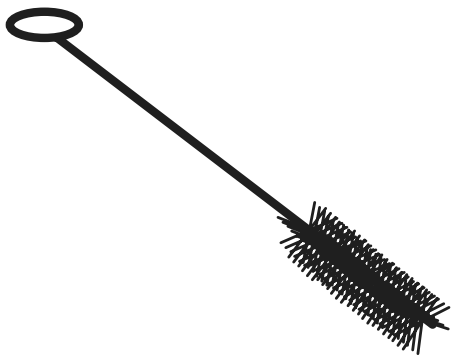
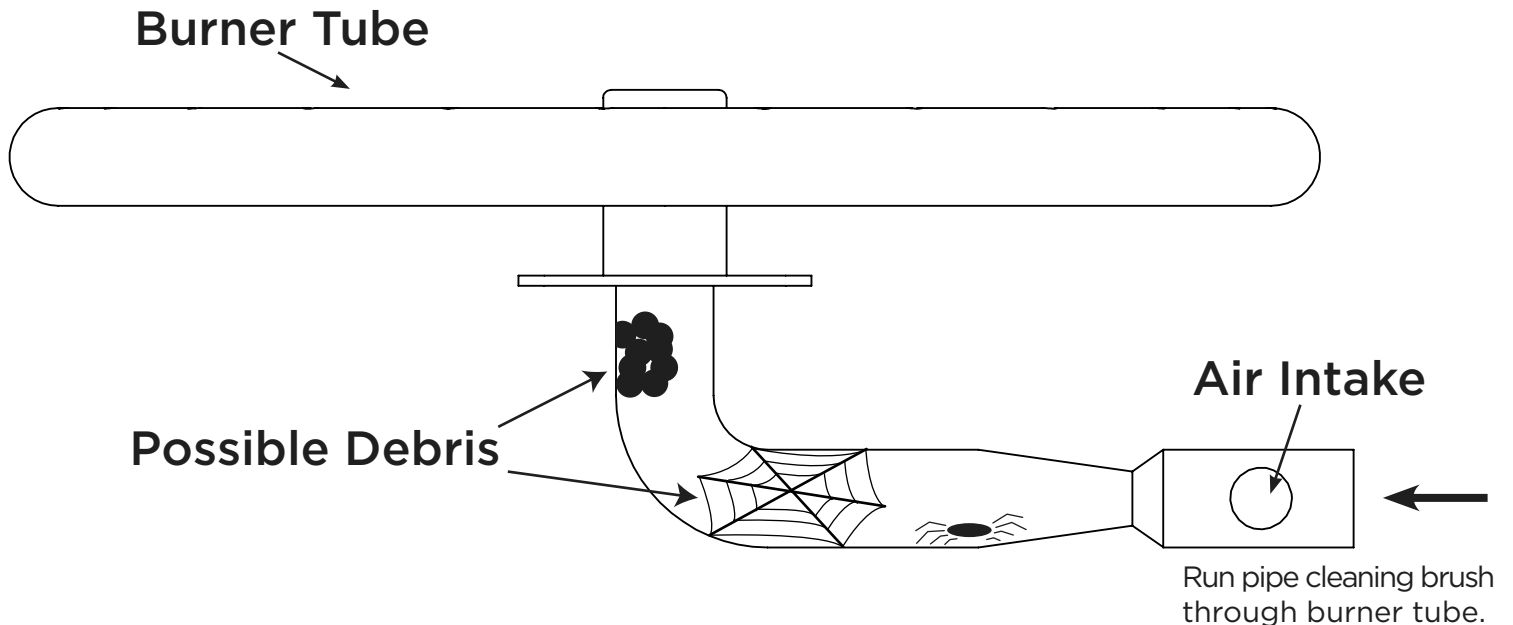
1. Turn the LP gas supply off at the tank. Remove the LP gas tank and store it in a cool, dry location, outside and away from children.
2. Secure all loose filler material or parts.
3. Remove the battery from the igniter box.
4. Cover the fireplace when not in use and do not allow water to pool on the cover surface. Covering the fireplace will help to protect the internal components from dirt and debris and prevent the finish from fading.
5. Store the fireplace in a cool, dry location away from children and pets.

# SPIDER AND INSECT WARNING

Spiders or other insects may build webs or nests in your fireplace burner tube which can obstruct or block the flow of gas.

Some of the gas may back up in the burner tube and cause a flashback (a fire in the burner tube or underneath the fireplace), which could result in property damage, serious injury, or death. Check and clean the burner tube periodically using a pipe cleaning brush (shown below) and compressed air available at any hardware store.

**Example of a typical burner tube.  
Your exact burner may vary.**



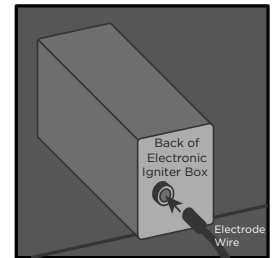
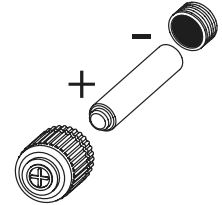
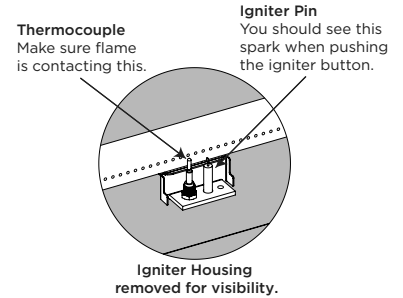
**Example of pipe cleaning brush available at local hardware store.**

# TIPS AND TROUBLESHOOTING

## If the Fireplace Will Not Ignite

If the igniter system is working correctly, you should hear a clicking sound while the igniter button is being pushed and you should see a spark inside the igniter housing. If you do not see the spark or hear a clicking sound, please check the following:

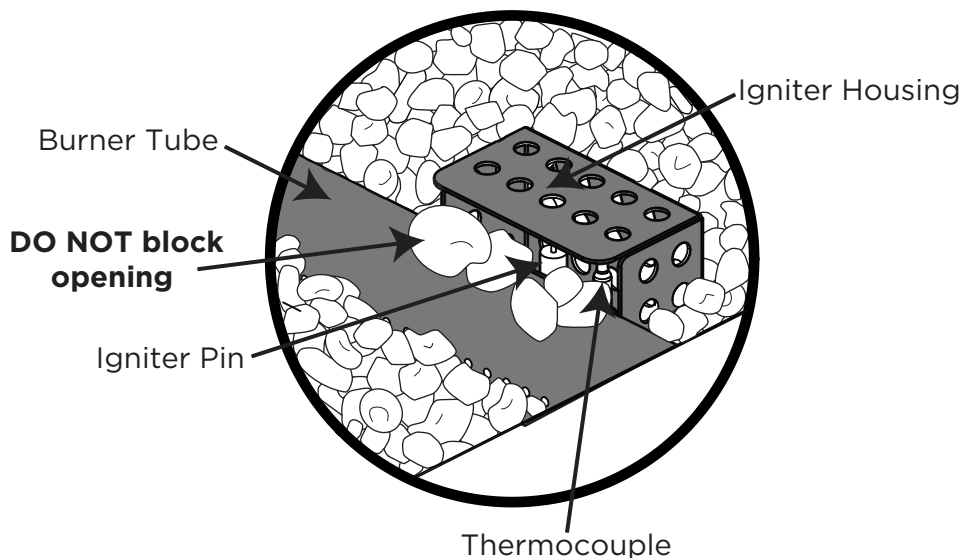
1. Make sure the battery is not dead and that it is installed correctly, with the positive (+) side facing out.
2. If you still do not hear a clicking sound or see a spark in the igniter box, look under the fireplace and make sure that the electrode wire is correctly inserted into the back of the electronic igniter box. While inspecting the electrode wire, make sure that it is not cut or broken in any place.



## If the Fireplace Will Not Stay Lit

If the fireplace lights, but will not stay lit, or remains lit only for a brief time, please check the following:

1. Make sure that the igniter housing is unobstructed. Clear away any filler material or debris on the housing and make sure there is nothing between the igniter pin and the thermocouple.



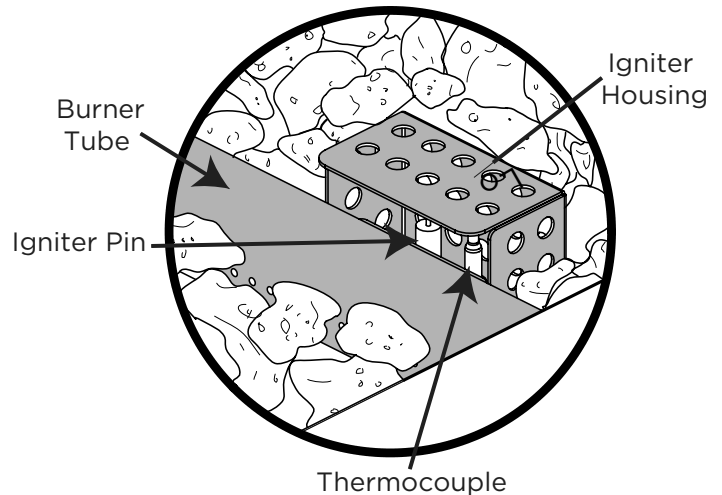
# TIPS AND TROUBLESHOOTING

## If the Fireplace Will Not Stay Lit (Cont.)

---

2. Make sure the thermocouple and igniter pin are correctly positioned.

**Thermocouple** - The thermocouple tip should be located close to the burner, aligned with a burner port so that flames contact it directly. Make sure the flames are making contact with the thermocouple tip.



### Damaged Thermocouple

If the igniter housing and the thermocouple tip are clear of debris and the flame is clearly contacting the tip of the thermocouple, but the fireplace will still not stay lit, the thermocouple may be damaged. Look beneath the fireplace and find the copper thermocouple wire coming out of the back of the valve. Examine the length of it for any signs of damage. Sharp bends, kinks or damage can cause the thermocouple to not function correctly.

**Igniter Pin** - The igniter pin is where the spark is generated to ignite your fireplace. Make sure you can see this sparking when the igniter button is pushed.

## Other Common Problems

---

### Clogged or Obstructed Burner

It is common for bugs, especially spiders, to make webs or nests inside of burner tubes. If it seems like you are getting low or no gas flow, visually check all openings in the burner for signs of clogs. If you see anything clogging the burner try using a pipe cleaning brush and compressed air to remove the debris.

### Out of Gas

Be sure your LP gas tank is not empty. Low tanks can result in lower flames.

### Cold Temperatures

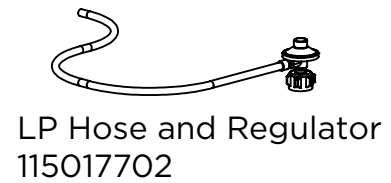
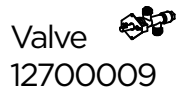
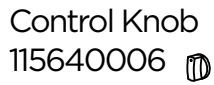
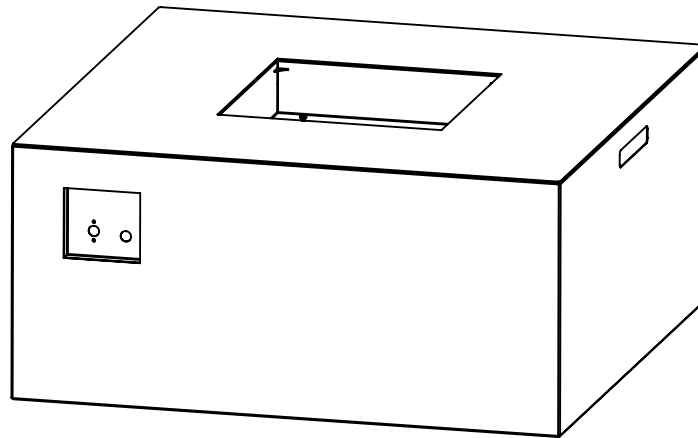
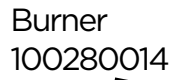
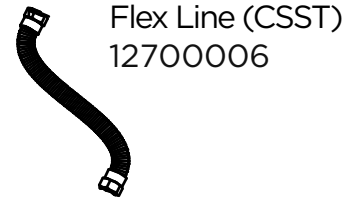
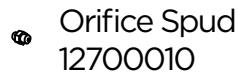
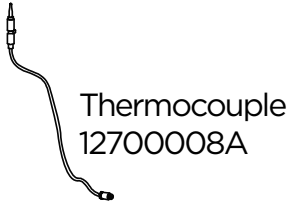
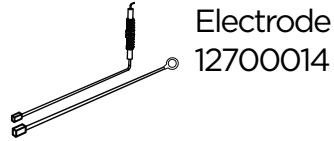
Cold temperatures outside may result in lower LP gas tank pressures causing the flames to be lower. Do not use your fireplace in extreme temperature conditions. Allow the temperature of your LP gas tank to rise and as the pressure in the LP gas tank increases the flame size will increase. NEVER heat your LP gas tank; allow it to warm up naturally.

### High Winds

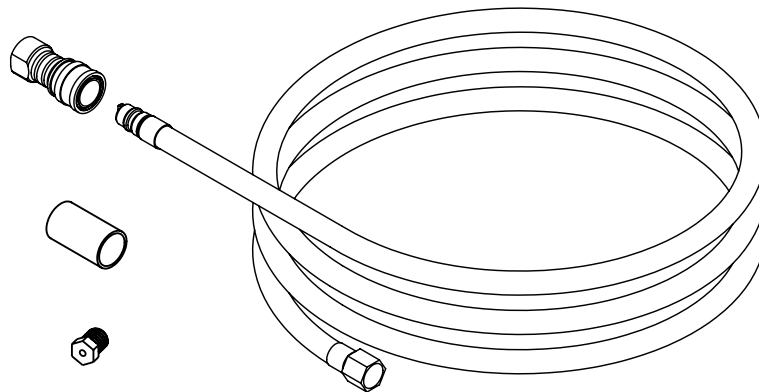
Your fireplace is designed to operate in winds up to 10 mph (16.09 kph). High winds may cause the flame to blow out. Do not operate your fireplace in high wind conditions.



# TECHNICAL PARTS LIST



# ARHAUS<sup>®</sup>



## Natural Gas Conversion Kit Manual

**NOTE:** This conversion kit is for changing a liquefied petroleum (LP) gas fireplace into a natural gas (NG) fireplace.

### **⚠ DANGER**

#### **CARBON MONOXIDE HAZARD**

This appliance can produce carbon monoxide which has no odor. Using it in an enclosed space can kill you. Never use this appliance in an enclosed space such as a camper, tent, car or home.



### **⚠ DANGER**

#### **FIRE OR EXPLOSION HAZARD**

If you smell gas:

- Shut off gas to the appliance.
- Extinguish any open flame.
- If odor continues, leave the area immediately.
- After leaving the area, call your gas supplier or fire department. Failure to follow these instructions could result in fire or explosion, which could cause property damage, personal injury, or death.

### **⚠ WARNING: FOR OUTDOOR USE ONLY.**

Installation and service must be performed by a qualified installer, service agency, or the gas supplier.

**INSTALLER:** Leave this manual with the appliance.

**CONSUMER:** Retain this manual for future reference.

**⚠ WARNING:** If the information in this manual is not followed exactly, a fire or explosion may result causing property damage, serious injury, or loss of life.

**⚠ WARNING:** Do not store or use gasoline or other flammable vapors and liquids in the vicinity of this or any other appliance.

An LP gas tank not connected for use shall not be stored in the vicinity of this or any other appliance.

# TABLE OF CONTENTS

Parts List	3
Conversion Instructions	4
Pre-Use Instructions	9
Lighting Instructions	11

**NOTE:** In addition to these instructions, read and understand all warnings included with the fireplace owner's manual.

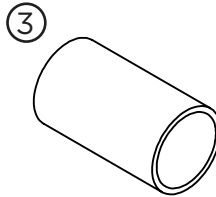
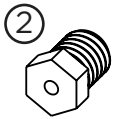
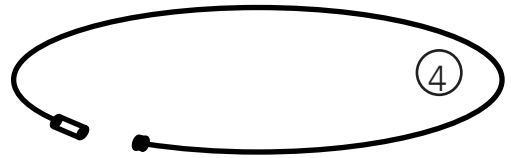
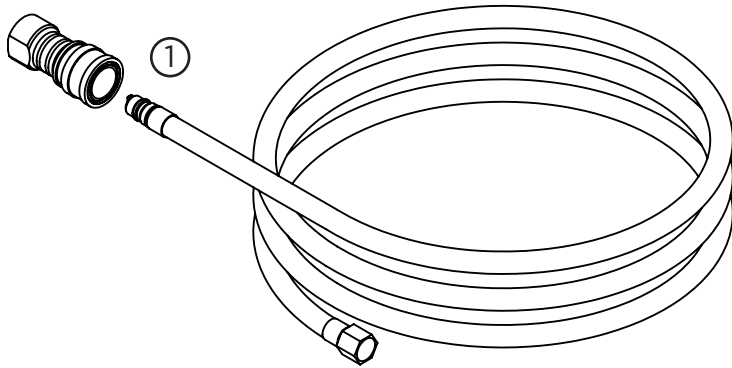
## **WARNING**

- **The qualified service agency is responsible for the proper installation of this kit. The installation is not proper and complete until the operation of the converted fireplace is checked as specified in the manufacturer's instructions supplied with this kit.**
- **This conversion kit shall be installed by a qualified service agency in accordance with Real Flame's instructions and all applicable codes and requirements of the authority having jurisdiction.**
- **If the information in these instructions is not followed exactly, a fire, explosion or production of carbon monoxide may result causing property damage, personal injury or death.**

# PARTS LIST

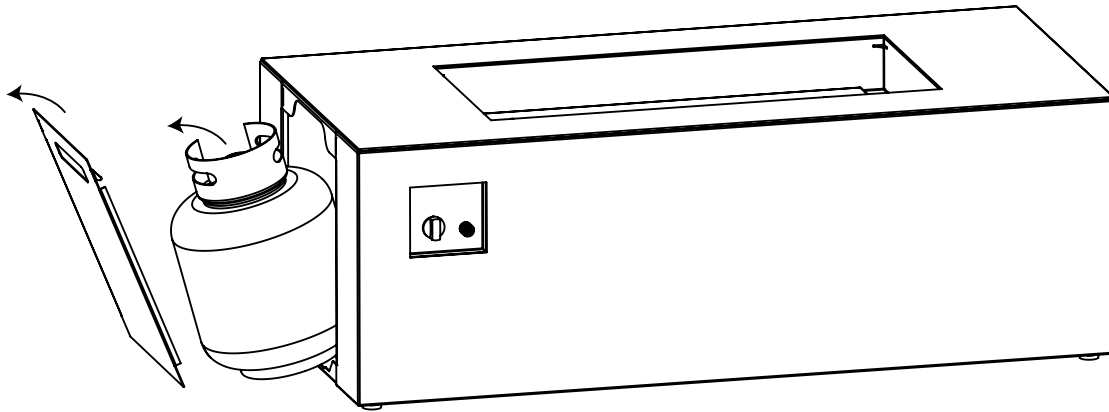
## Natural Gas Conversion Kit

- ① Natural Gas Hose (8ft) and Quick Connect (3/8" NPT)
- ② NG Orifice Spud #22 (3.99mm)
- ③ Primary Air Mixer Sleeve
- ④ Cable Kit

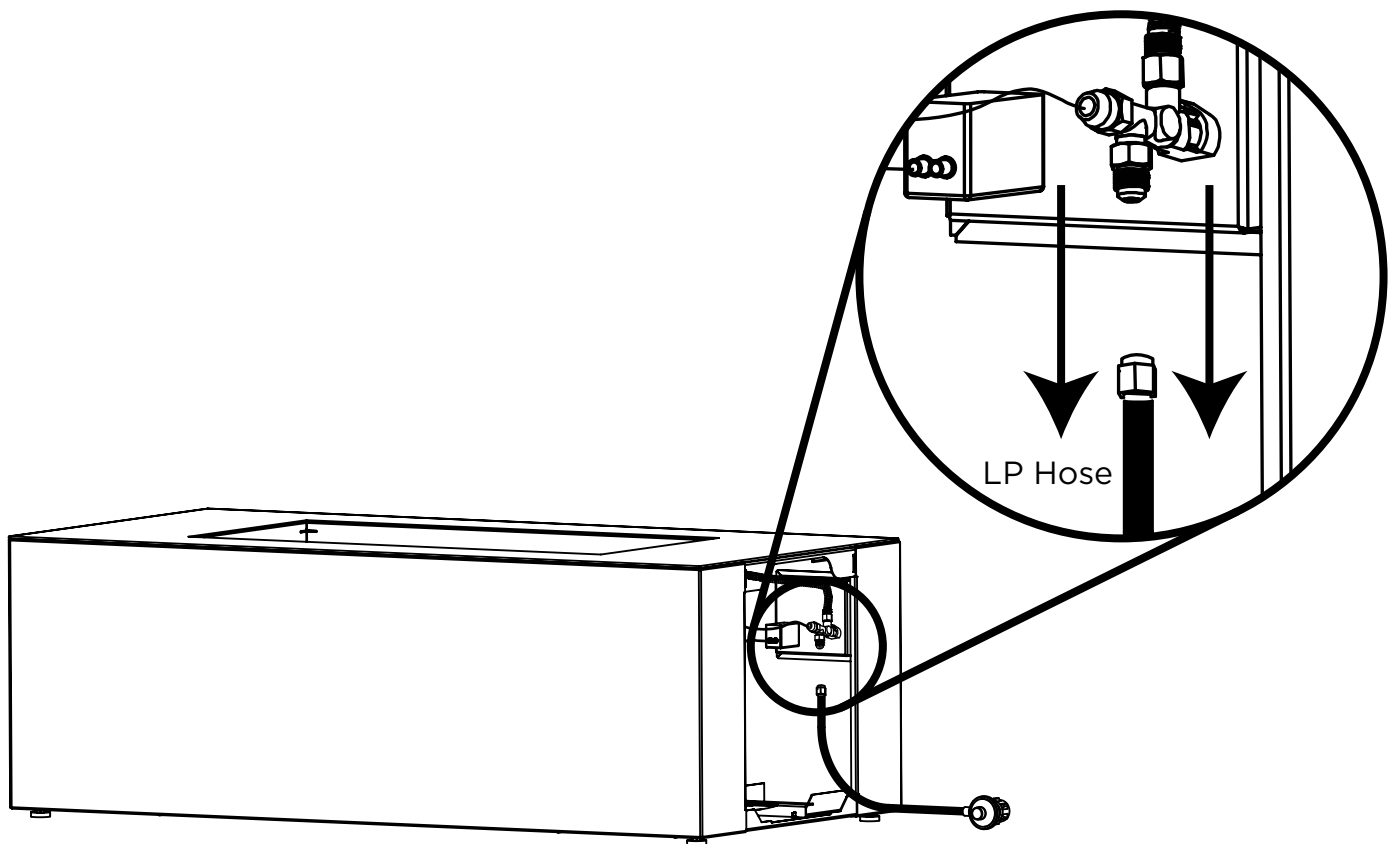


# CONVERSION INSTRUCTIONS

1. Remove access door. Disconnect and remove propane tank.

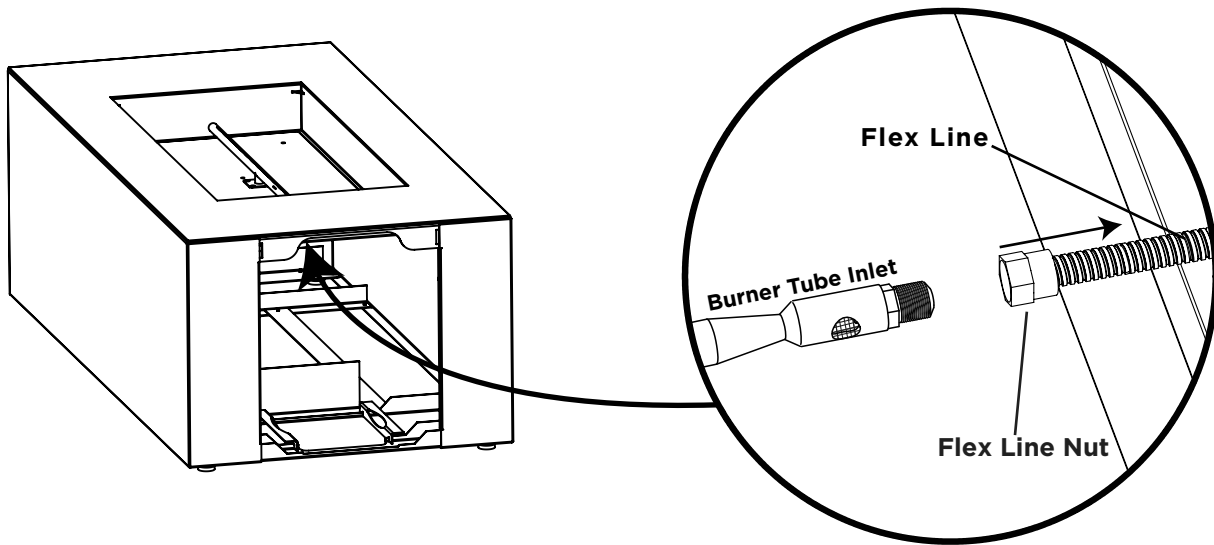


2. Disconnect the black LP gas hose from the input valve on the body of the fireplace.

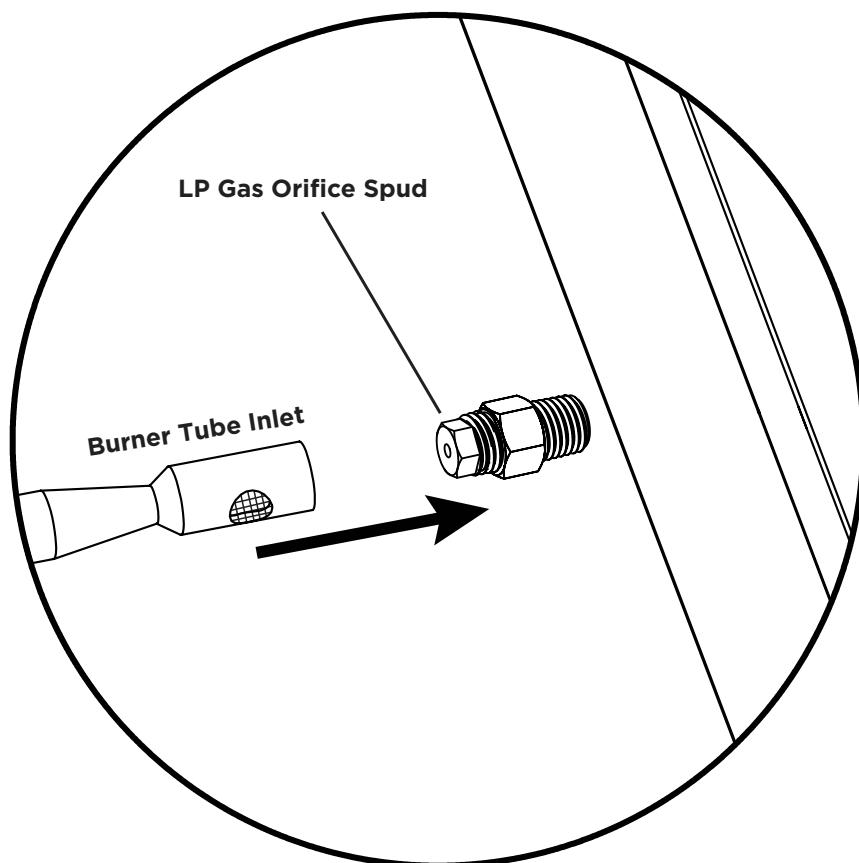


# CONVERSION INSTRUCTIONS

3. Disconnect the flex line from the burner tube inlet by unscrewing the nut at the end of the flex line.

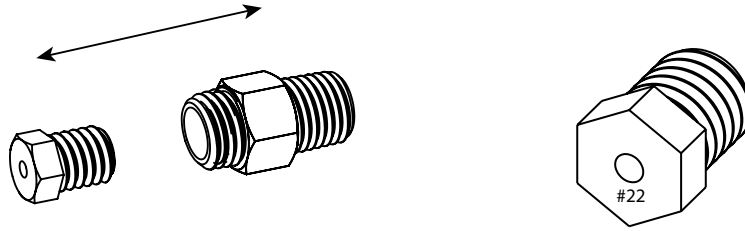


4. Remove the LP gas orifice spud from the burner tube inlet.

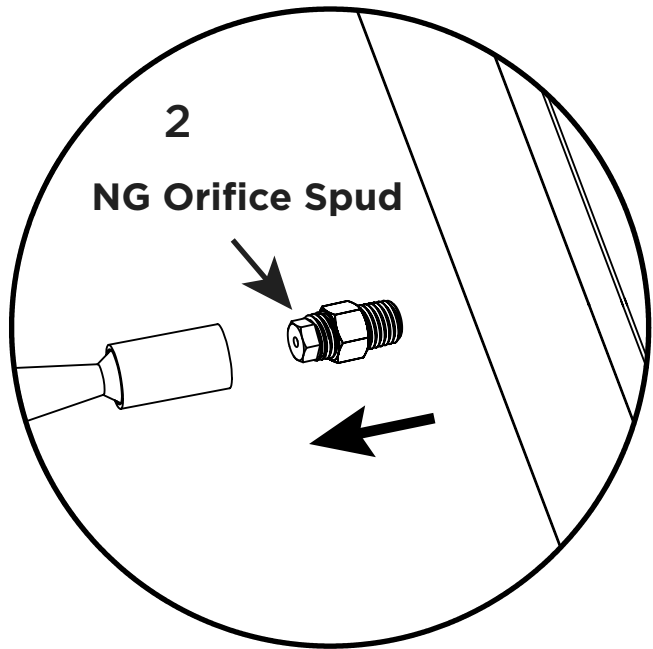
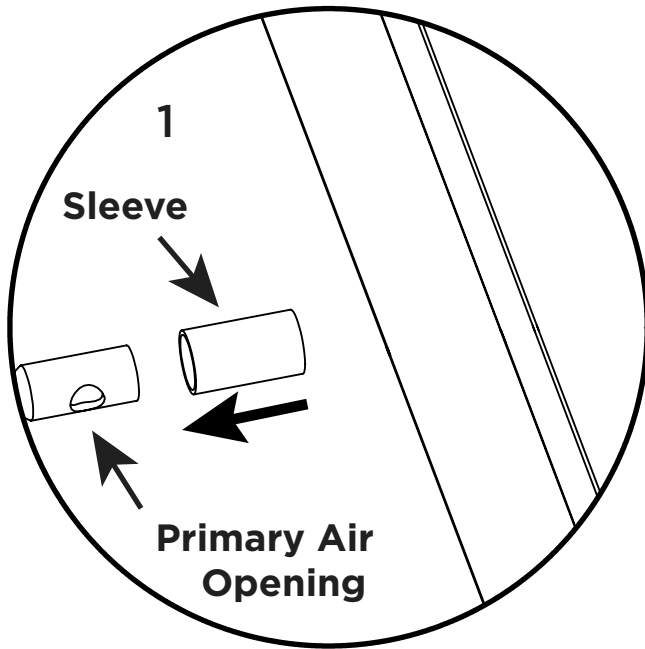


# CONVERSION INSTRUCTIONS

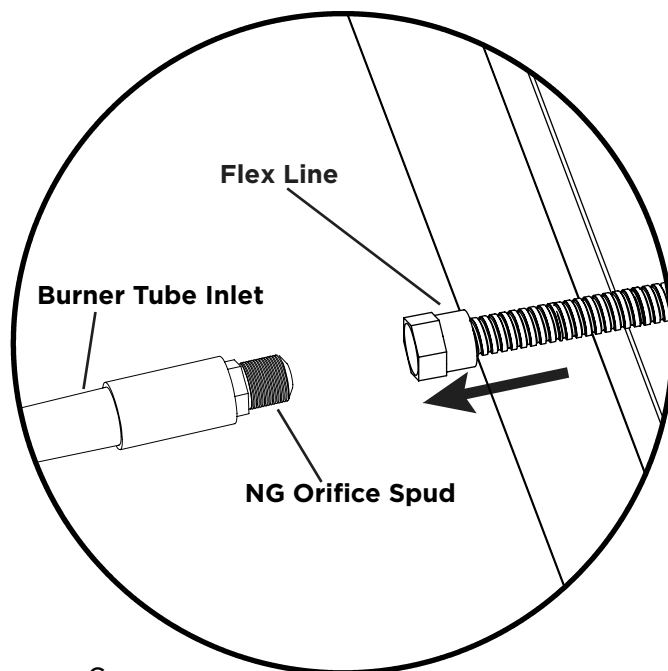
5. Locate the new NG orifice spud. Verify it is the correct number. The sign #22 should be on the end of the orifice spud.



6. Slip the sleeve over the primary air opening (see Fig. 1). Next, screw the new NG orifice spud into the burner tube inlet (see Fig. 2).

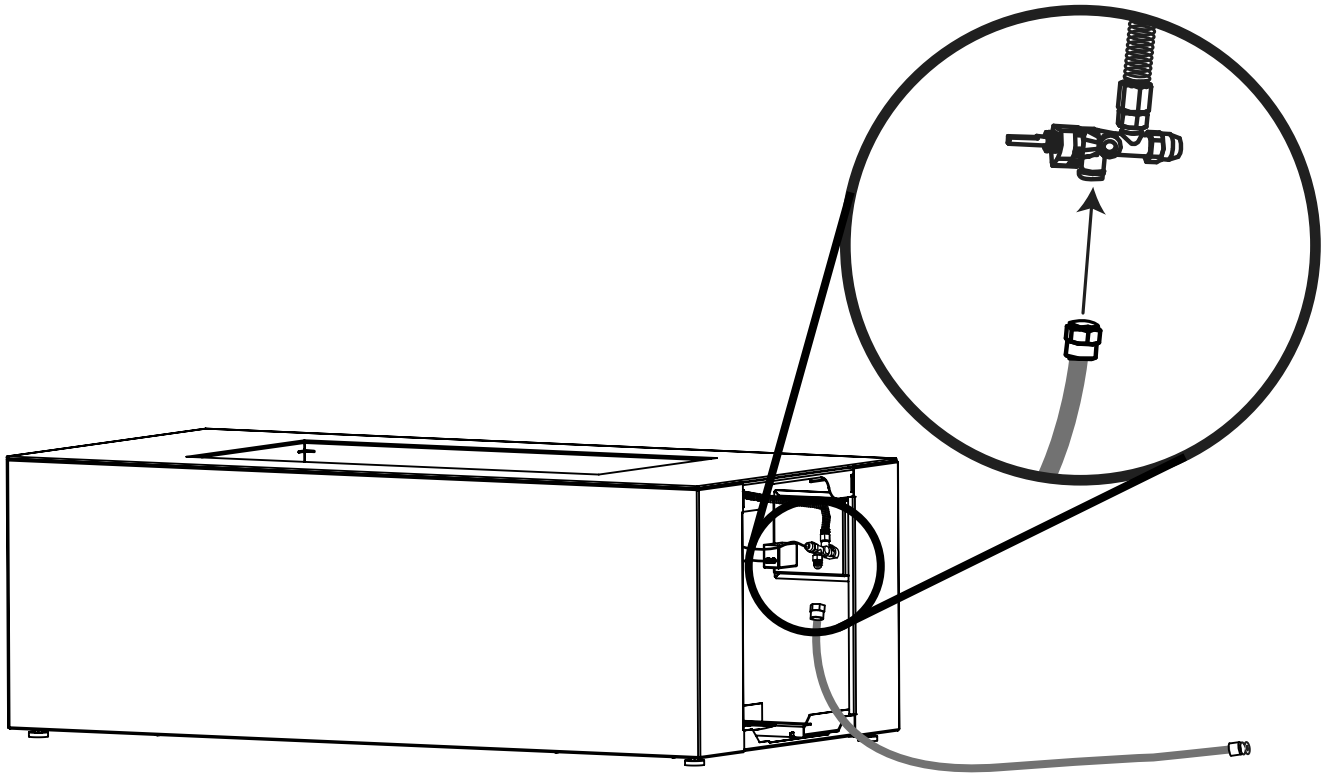


7. Reattach the flex line to the burner tube inlet.

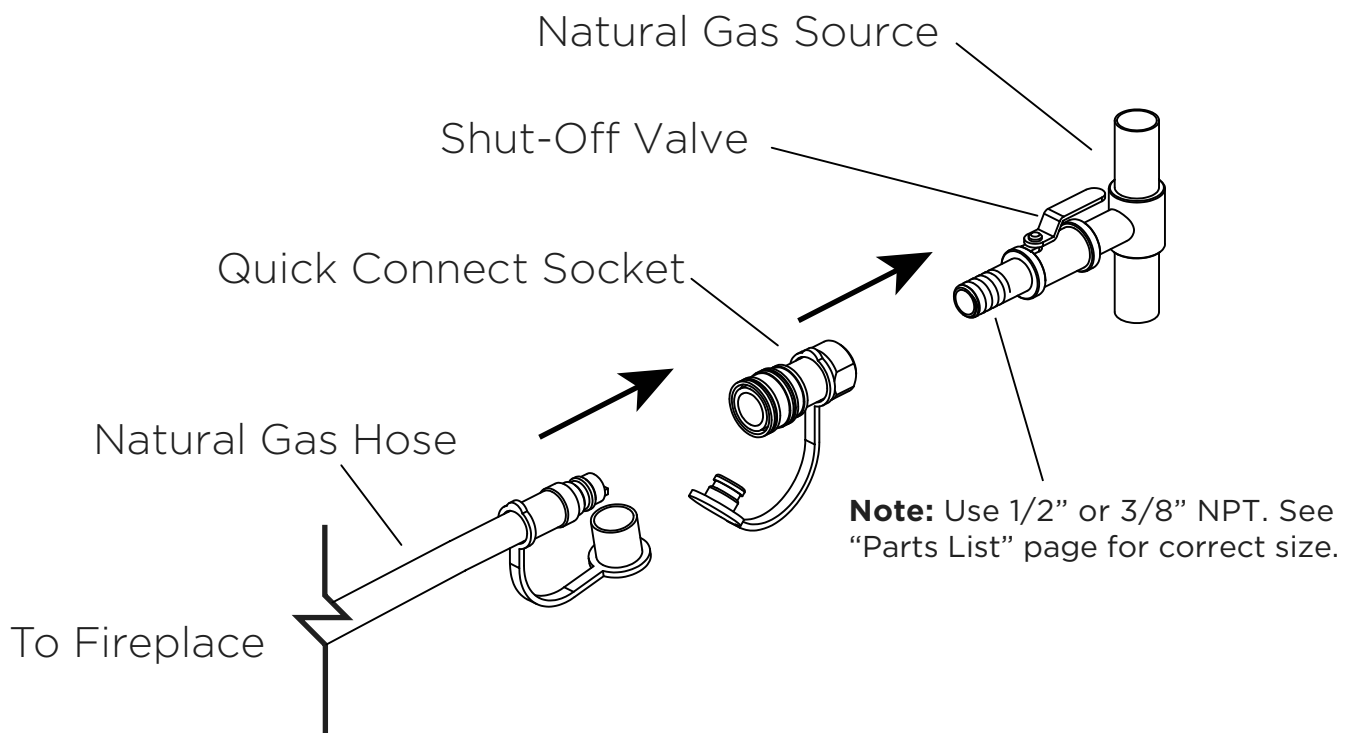


# CONVERSION INSTRUCTIONS

8. Attach the gray NG hose to the input side of the valve on the body of the fireplace.



9. Attach the quick connect socket to the natural gas source.



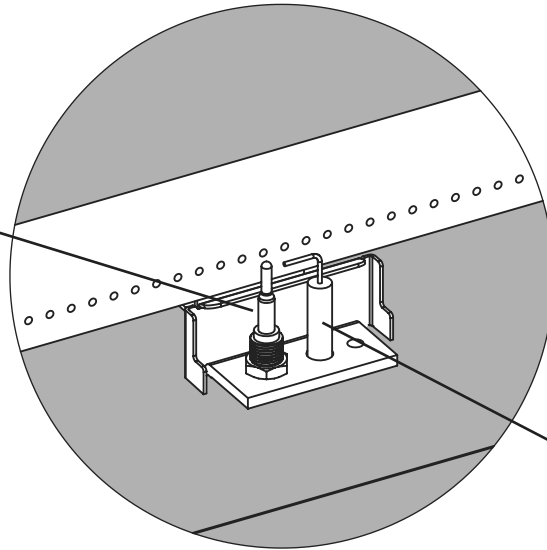


# CONVERSION INSTRUCTIONS

10. After installing the conversion kit, verify that the components are still correctly positioned (see diagram below).

## Thermocouple

Make sure the flame is contacting the thermocouple.



## Igniter Pin

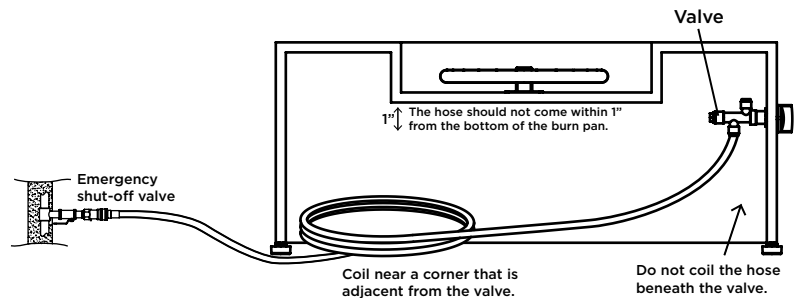
You should see the igniter pin spark when pushing the igniter button.

NOTE: Igniter housing removed for example only.

## ⚠ WARNING

If the table is installed with a portion of the hose under the table, the hose must be secured, so that no part of the hose will be within 1" or come in contact with the underside of the burn pan or where the hose will not be accidentally damaged or pinched.

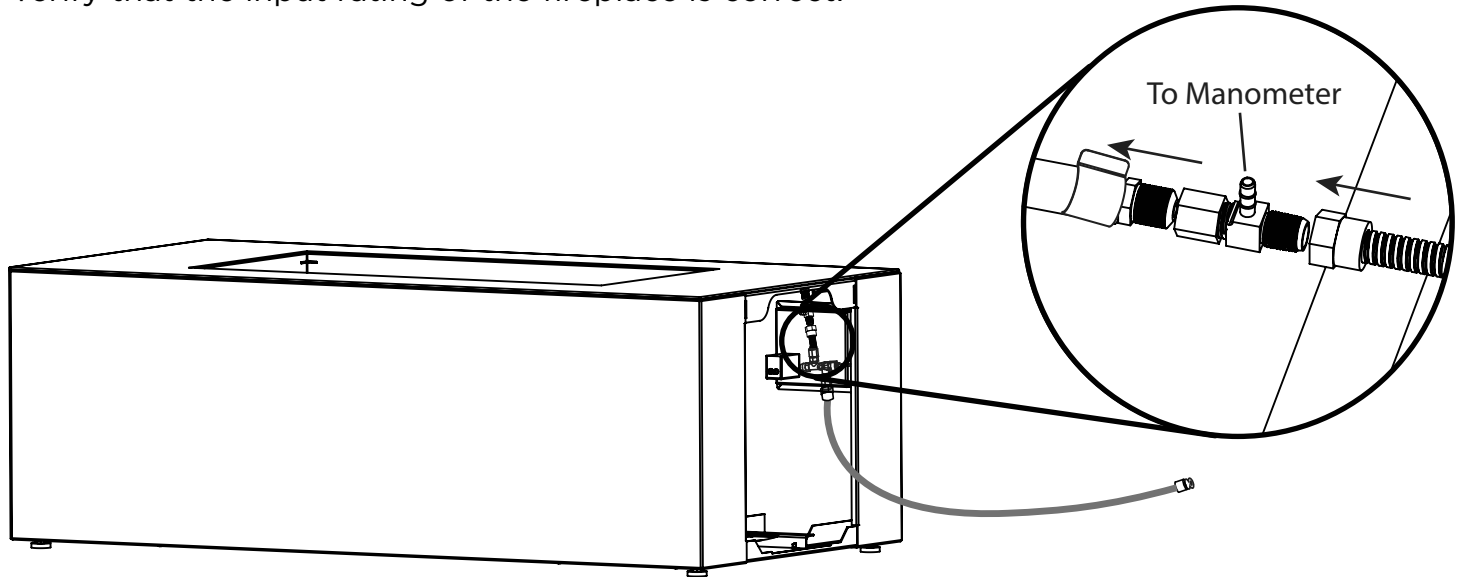
Failure to secure the hose in a safe location may result in a gas leak that could cause property damage, injury, or death. Follow all other hose inspection instructions listed in this manual.



# PRE-USE INSTRUCTIONS

## Notes to Installation Technician

Verify the manifold pressure by using a 3/8" flared T-junction at the location marked in the diagram below. Then, using a digital manometer, verify that the pressure before the orifice is 7 W.C. (1.74 kPa). Also verify that the orifice spud has the 4.29mm stamp. This will allow you to verify that the input rating of the fireplace is correct.



### Installing at Altitude

Installations at elevations above 2,000 ft (609.6 m) may require adjustment.

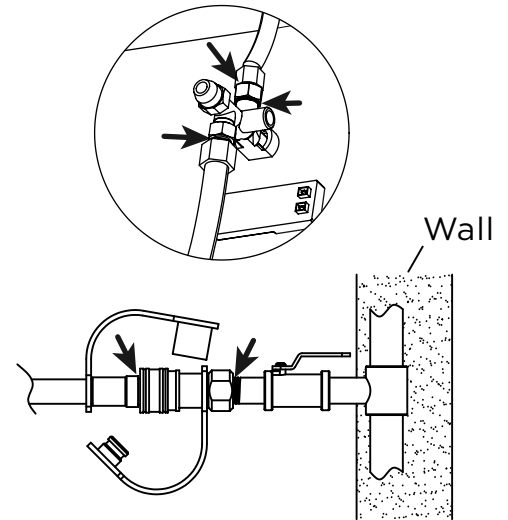
NOTE: The normal manifold pressure for this converted appliance is 7" water column.

NOTE: The maximum inlet gas pressure for this unit is 10.5 in W.C. (2.61 kPa).  
The minimum inlet gas pressure for this unit is 3.5 in W.C. (0.87 kPa).

# PRE-USE INSTRUCTIONS

## Checking For Leaks

1. Make a leak check solution by mixing 1 part dishwashing soap with 3 parts water in a spray bottle.
2. Make sure the control knob on the fireplace is in the "OFF" position, then connect your fireplace to the gas supply line and turn the gas on.
3. Spray the leak solution on the valve connections, paying particular attention to the areas indicated by arrows in the diagrams.
4. If bubbles appear, shut off the gas supply, disconnect the hose and inspect all connections making sure threads are clear of debris. Reconnect the hose, turn the gas supply on and retest. If you continue to see bubbles, turn the gas supply off, disconnect the hose.
5. If no bubbles appear after 1 minute, wipe away excess leak solution and proceed to "Lighting Instructions."



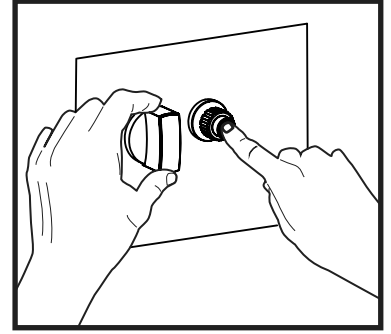
## Conversion Plaque

Using a wire cutters remove the French NG conversion plaque that is hanging from the control panel. Use the included cable kit to string both the French and English NG conversion plaques together and reattach them to the control panel.

# LIGHTING INSTRUCTIONS

## Using the Igniter

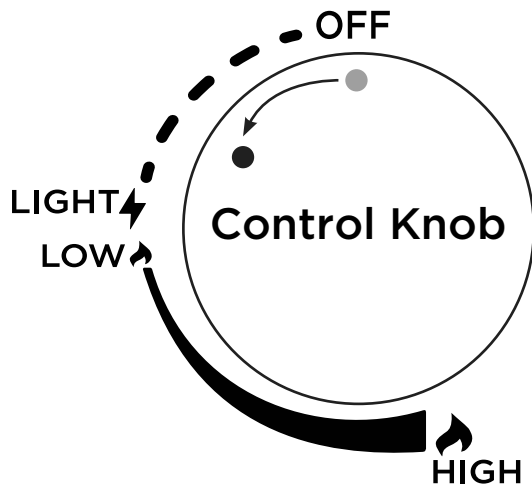
1. Read and understand all operating instructions before lighting.
2. Before beginning, make sure the control knob is in the “OFF” position.
3. Connect the quick connect socket to the gas supply (see previous pages).
4. Slowly turn the gas on.



5. Prepare to ignite your fireplace by placing one hand on the control knob and one hand on the igniter button (see diagram). **DO NOT** lean over any part of the burner. Verify that the area around the burner is free of hazards.
6. Push and hold the igniter button. You should hear a clicking sound.
7. While keeping the ignition button depressed, use your other hand to push in and turn the control knob counter-clockwise to the “LIGHT” position.
8. Once the burner ignites, release the igniter button, but continue to keep the control knob pushed in for 15 seconds.

**WARNING:** If ignition does not occur in 15 seconds, turn the control knob to the “OFF” position and turn the gas off at its source. Make sure there is no source of ignition around the fireplace and wait at least 5 minutes until the gas has cleared to repeat the lighting procedure. Failure to do so could result in a large flashback of pooled gas, causing property damage, serious injury, or death.

9. After successfully lighting the fireplace, release the control knob and turn it to the “LOW” setting. Observe the flame and make sure that all the burner ports are lit.
10. Adjust the flame to the desired height using the control knob.



## Flame Height



8-14" (20.3-35.5 cm)
-------------------------

## Shut-Off Instructions

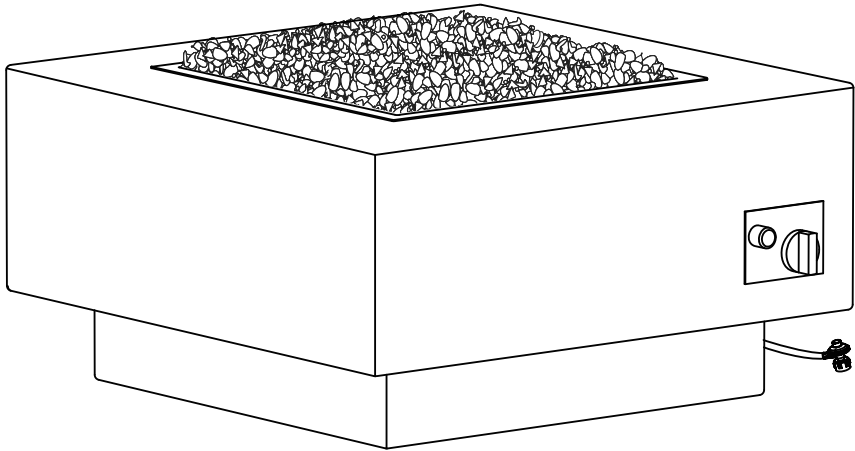
1. Turn the control knob to the “OFF” position.
2. Turn off the gas supply at the source.

# ARHAUS

your home

## ASSEMBLY INSTRUCTION

### 29" SQUARE CONCRETE FIRE PIT



### INSTALLTION PRECAUTION

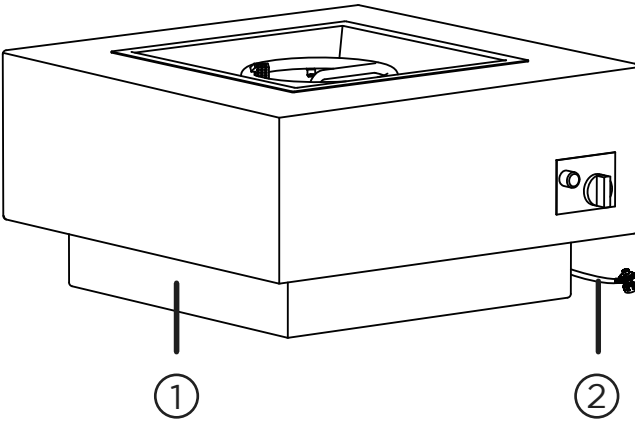
This fire pit requires a minimum 18-square inches of cross ventilation. Failure to provide proper ventilation can void the warranty.



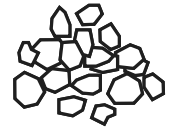
**Warning:** For Outdoor Use Only

**PLEASE RETAIN THIS MANUAL FOR FUTURE REFERENCE**

# Part List



③



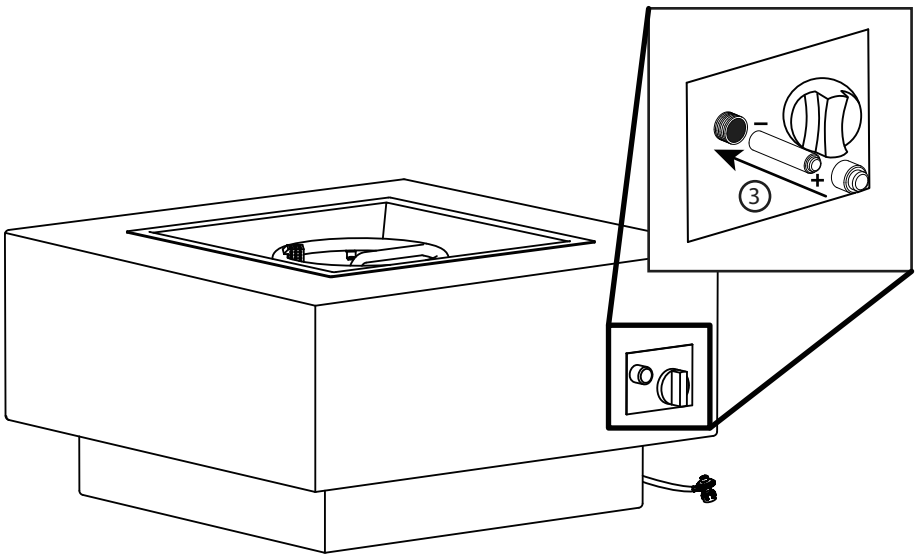
④

- |                       |        |
|-----------------------|--------|
| ① Fire Pit            | 1 pc   |
| ② LP Regulator & Hose | 1 pc   |
| ③ AA Battery          | 1 pc   |
| ④ Lava Rock           | 1 pack |

# Step 1

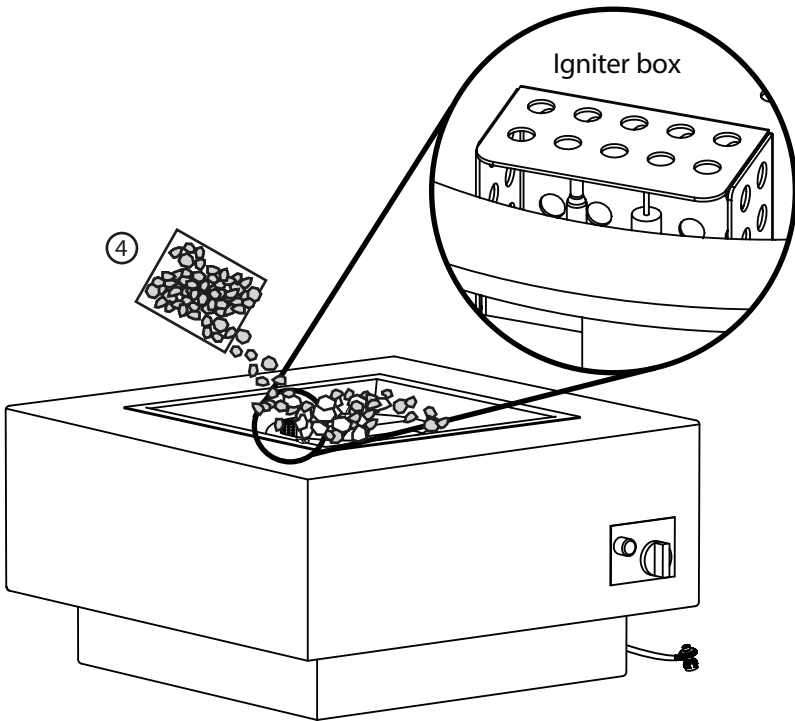
Install the AA battery as shown in the diagram below.

Battery not included.



## Step 2

Place lava rock by hand. DO NOT dump bag out into tray to avoid clogging the burner with dust. Position the lava rock (10kgs) to a level about 1" above the top of the burner. Make sure that you do not block the igniter box with lava rock to ensure proper ignition.



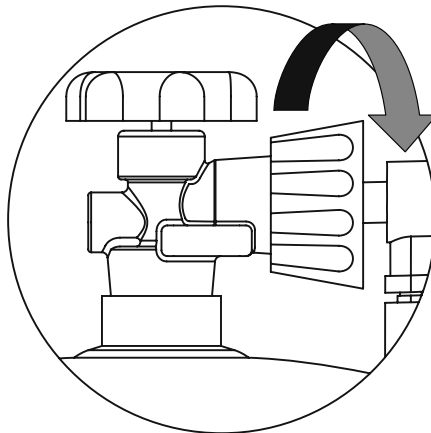


# Step 3

## Connecting the LP Gas Tank

Check to make sure there is no debris in the head of the LP gas tank or in the head of the regulator valve. Make sure you check the burner ports as well.

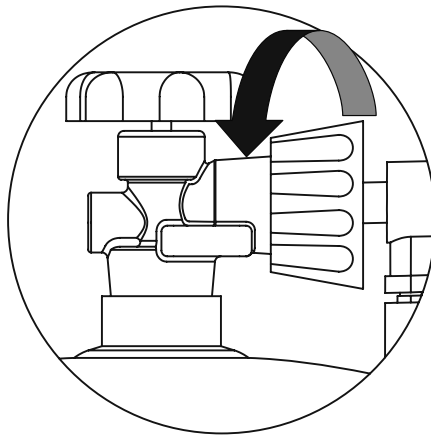
Connect gas line to tank by turning knob clockwise. Hang tighten only.



# Step 4

Make sure the valve on the LP gas tank is OFF.

Disconnect by turning the knob counter clockwise until it is detached from the valve.





## DANGER



## CARBON MONOXIDE HAZZARD

This appliance can produce carbon monoxide which has no odor.

Using it in an enclosed space can kill you.

Never use this appliance in an enclosed space such as a camper, tent, car or home.



## DANGER

If you smell gas:

1. Shut off gas to the appliance.
2. Extinguish any open flame.
3. If odor continues, keep away from the appliance and immediately call your gas supplier or fire department.



## WARNING

Do not store or use gasoline or other flammable vapors and liquids in the vicinity of this or other appliance.

An LP-cylinder not connected for use shall not be stored in the vicinity of this or any other appliance.

## WARNING

Do not leave unattended during use.  
Do not use for cooking.  
Follow all gas leak procedures in this manual prior to operation.



## WARNING

Improper installation, adjustment, alteration, service or maintenance can cause injury or property damage. Read the installation, operating and maintenance instructions thoroughly before installing or servicing this equipment

**WARNING:** If the information in these instructions is not followed exactly, a fire or explosion may result causing property damage, personal injury or death.

### **FOR YOUR SAFETY**

Do no store or use gasoline or other flammable vapors and liquids in the vicinity of this or another appliance.

## SPECIFICATIONS

Input Rate (Btu/hr):

Model No.    LP BTU

Ulc-PC29-A-E    55,000

Ulc-PZ19-C-E    55,000

Ulc-PY19-C-E    55,000

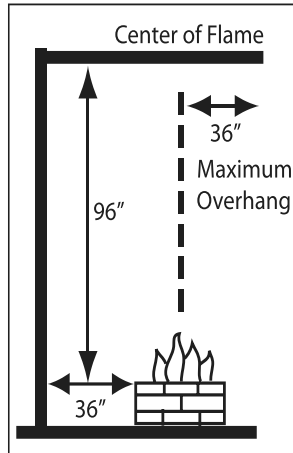


Figure 1. Clearance to Combustibles

GAS	LP
Rated pressure	11.0"WC

## INSTALLATION SAFETY GUIDELINES

- A. Installation and repair should be done by a qualified service person. The appliance should be inspected before use and at least annually by a qualified service person. More frequent cleaning may be required as necessary. It is imperative that control compartment, burners and circulating air passageways of the appliance be kept clean.
- B. Carefully inspect for shipping damage. If any parts are damaged, call the dealer.
- C. Correct installation and proper placement of the unit and decorative media is crucial to the safe performance of the unit. See installation instructions for further information.
- D. Ensure that the unit is installed in such a manner that the vent opening at the base of the unit remains obstacle-free at all times and during all weather conditions.
- E. Due to high temperatures, the unit must be located out of traffic areas and away from combustibles.

## OPERATING THE UNIT SAFETY AND CORRECTLY

- A. **This appliance is only intended for operation in temperatures above 32°F.**
- B. When shutting the unit down—be sure to TURN THE CONTROL VALVE FULLY OFF.
- C. Children MUST be carefully supervised when they are in the area of this appliance.
- D. DO NOT sit or place any part of the body, clothing, or other flammable materials on or near the unit surround. Children and adults should be alerted to the hazard of high surface temperatures and should stay away to avoid burns or clothing ignition.
- E. Every time you use the unit, make sure that:
  - 1. The area around the unit is clear and free from combustible materials, gasoline and other flammable vapors and liquids.
  - 2. There is no blockage of the airflow through the vent openings located on the bottom of the unit.
  - 3. The hose is inspected (if applicable). See the SAFE USE & MAINTENANCE OF PROPANE-GAS CYLINDERS section.
- F. **WARNING: HOT WHILE IN OPERATION AND FOLLOWING OPERATION.** Serious injury can occur! **DO NOT** throw trash, paper, or other flammable materials onto the unit. **DO NOT** leave in operation when unattended.  
**WARNING: DO NOT operate this unit in the rain.**
- G. SOLID FUEL MUST NOT BE BURNED in the unit.
- H. **DO NOT** continue using if you smell unusual odors, or have headaches, nausea, or dizziness.
- I. **DO NOT** store any combustible materials, gasoline, and any other flammable vapors/liquids in the vicinity of the unit. Provide adequate clearance for servicing and operation.
- J. Matches, paper, garbage, or any other material must not be thrown onto the unit or into the flame.
- K. **DO NOT** use the unit if any part of it has been underwater. Immediately call a qualified professional service technician to inspect the set and to replace any part of the control system that has been underwater.

# SAFE USE & MAINTENANCE OF PROPANE GAS BOTTLES

## IMPORTANT FOR YOUR SAFETY

### READ AND FOLLOW ALL WARNINGS PROVIDED WITH THE PROPANE-GAS CYLINDER.

When operating this appliance with a propane-gas cylinder, these instructions and warnings **MUST** be observed.

**FAILURE TO DO SO MAY RESULT IN A SERIOUS FIRE OR EXPLOSION.**

## CYLINDER/CONNECTOR REQUIREMENTS

- Propane-gas cylinders, valves, and hoses must be maintained in good condition and must be replaced if there is visible damage to either the cylinder or valve. If the hose is cut or shows excessive abrasion or wear, it must be replaced before using the gas appliance (see e.).
- This unit, when used with a cylinder, should be connected to a standard 5-gallon (20 lb.) propane-gas cylinder equipped with an OPD (Overfill Prevention Device). The OPD has been required on all cylinders sold since October 1, 1998, to prevent overfilling.
- Cylinder dimensions should be approximately 12" (30.5 cm) in diameter and 18" (45.7 cm) high. Cylinders must be constructed and marked in accordance with the *Specifications for Propane Gas Cylinders of the U.S.* Department of Transportation (D.O.T.) or the National Standard of Canada, CAN/CSA-B339, Cylinders, Spheres, and Tubes for Transportation of Dangerous Goods.
- The cylinder used must include a collar to protect the cylinder valve, and the cylinder supply system must be arranged for vapor withdrawal.
- The pressure regulator and hose assembly (Fig. 7-1) supplied with this outdoor-cooking gas appliance must be used. Original and replacement pressure regulator and hose assemblies must be those specified by the manufacturer for connection with a cylinder connecting device identified as Type I by the ANSI Z 21.58-2005/CGA 1.6-2005 (see PARTS LIST for ordering information).
- The propane-gas cylinder valve must be equipped with a cylinder connection coupling device, described as Type I in the standard defined in paragraph e. above. This device is commonly described as an Acme thread quick coupler.
- If the propane-gas cylinder comes with a dust plug, place the dust cap on the cylinder valve outlet whenever the cylinder is not in use.

## QUICK COUPLER OPERATION

**To connect the regulator/hose assembly to the propane-gas cylinder valve fitting:** Press the hand nut on the regulator over the Acme thread fitting on the cylinder valve. Turn the hand nut clockwise to engage the threads and tighten until snug.

## LEAK TEST

Turn on the gas supply, ignite the burner, and test at all connections for leaks using a soapy water solution. If bubbles appear, a leak is present. Turn off the gas and tighten at all connections. Repeat until no leaks are present. If a leak persists, turn off the gas supply and contact the local gas company or dealer. **NEVER USE A FLAME TO CHECK FOR LEAKS.**

The use of pliers or a wrench should not be necessary. Only cylinders marked "propane" may be used.

**To disconnect:** Turn the hand nut counterclockwise until detached (Fig. 7-1).

**Important:** Before using the unit, and after each time the cylinder is removed and reattached, check the hose for wear (see a.) and check all connections for leaks. Turn off the unit valves and open the main cylinder valve, then check connections with soapy water. Repair any leaks before lighting the unit.

**CAUTION:** Always turn the propane cylinder main valve off after each use, and before moving the unit and cylinder or disconnecting the coupling. This valve must remain closed and the cylinder disconnected while the appliance is not in use, even though the gas flow is stopped by a safety feature when the coupler is disconnected.

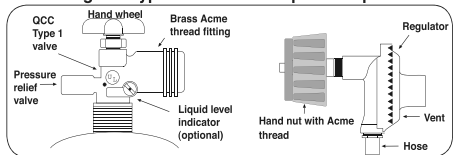
**Carefully** inspect the hose assembly each time before the gas is turned on. A cracked or frayed hose should be replaced immediately.

If the appliance is stored indoors, the cylinder must be disconnected and removed. Disconnected cylinders must be stored outdoors, out of the reach of children, with threaded valve plugs tightly installed, and must not be stored in a building, garage, or any other enclosed area.

## FOR YOUR SAFETY

- DO NOT store a spare propane-gas cylinder under or near this appliance.
- NEVER fill the cylinder beyond 80-percent full.
- IF THE INFORMATION IN a. AND b. IS NOT FOLLOWED EXACTLY, A FIRE CAUSING DEATH OR SERIOUS INJURY MAY OCCUR.

Fig. 7-1 Type I Acme thread quick coupler



Use LP propane gas tanks only with these required measurements:  
12 in. (diameter) x 18 in. (tall) with 20 lb. capacity maximum.

## OPERATING THE UNIT - LIGHTING AND EXTINGUISHING

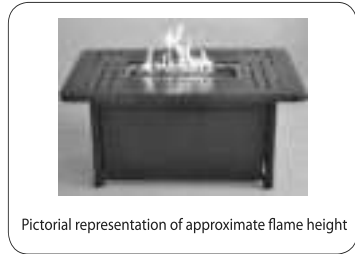
### FOR YOUR SAFETY, READ BEFORE LIGHTING

**WARNING: IF YOU DO NOT FOLLOW THESE INSTRUCTIONS EXACTLY, A FIRE OR EXPLOSION MAY RESULT, CAUSING PROPERTY DAMAGE, PERSONAL INJURY, OR LOSS OF LIFE**

- A. BEFORE LIGHTING**, smell all around the unit area for gas. Be sure to smell next to the floor, because some gas is heavier than air and will settle on the floor.
- B. WHAT TO DO IF YOU SMELL GAS**
1. **Shut off the gas to the appliance.**
  2. **Extinguish any open flame.**
  3. **If odor continues, immediately call** your gas supplier or the fire department.
- C.** Use only your hand to push in or turn the gas control knob. Never use tools. If the knob will not push in or turn by hand, **DO NOT** try to repair it. Call a qualified professional service technician. Force or attempted repair may result in fire or explosion.

### MANUAL (MATCH) LIGHTING INSTRUCTIONS

1. **STOP!** Read the safety information above.
2. **Push and slowly turn the control knob to the HIGH position .**
3. **Hold ignitor to light the burner,release control knob after 45 seconds.**
4. **Observe the flame height when lit. Flame should be 3 to 13 inches high .**
5. **If4. the burner does not light before the match goes out, immediately turn the control knob to the OFF position.**
6. **Wait approximately five minutes to clear out any gas, and repeat steps 1-4 above.**
7. **If your burner fails to light again, turn the control knob to the OFF position and contact your dealer or gas supplier.**
8. **To extinguish your gas burner, turn the control knob to the OFF position. Be sure the control knob is turned fully off to avoid any gas leakage.**



Pictorial representation of approximate flame height

## INSTALLATION OF FIRE PIT INTO AN APPROVED ENCLOSURE

### REQUIREMENTS

1. Only non-combustible materials should come in direct contact with any part of the Fire Pit. Underneath area should be non-combustible as well.
2. Only use  $\frac{3}{4}$ " gas supply line to the Fire Pit. Based on the selection of the fire pit size, the proper brass fittings should be used to ensure a proper installation.
3. Determine the size of the round or square Fire Pit you are preparing to install (Refer to page 3).
4. You must provide a round or square cut out to place the fire pit into the non-combustible enclosure surround. Use the pattern from the shipping carton for sizing.
5. Follow the local code requirements for the gas type being used. This Fire Pit should be installed in accordance with local codes and ordinances or in the absence of local codes, with the latest National Fuel Gas Code, ANSI Z223.1 NFPA54 or CSA B149.1, Natural and Propane Installation Code in Canada.
6. Fire Pits create high temperatures, it is very important to have any combustibles at a safe distance.
7. Normal operation of the Fire Pit is with a battery box that is supplied with your system (Fig 4). The battery box has 12-feet of black sleeved wire that is to be passed through the junction box provided. This wire should not be cut or spliced and the junction box can be placed in the facing of the vertical finish of the fire pit, if you place the wire underground you should install those wires into an approved protective conduit/sleeve material.
8. If (optional) 120VAC adapter (Pg.13) is going to be used to power this system it is required to follow all local codes or National Electrical Code ANSI/NFPA 70 for installation of this electrical outlet. A breaker on wall switch with approved outdoor outlet must be used to insure safety to this Fire Pit. When not in use the breaker should be in the OFF position.
9. Fire pit should never be left unattended while in operation. It should always be a safe distance from all trees and combustible landscape materials.
10. Construction of the finished fire pit should be stable and solid. From the bottom of the control box that houses the gas valve and module, it should be a minimum of 4-inches to the ground level. See figure #1. Drainage is critical to ensure that water does not damage and valve components. Never install the fire ring system below grade.
11. **CAUTION: A minimum of 18 square inches of cross ventilation (2 sides) is required to keep the components in good working order.**
12. The insulation square pad provided with the Fire Pit is to be placed foil up toward the bottom of pan on top of the valve box.
13. Never fill the cavity under and around the valve box with any material, this is a provided air space necessary for ventilation.
14. These products are designed for outdoor use only. Not approved for any indoor use.
15. This Fire Pit is designed to have decorative rock, Lava rock/Media covering the spoke burner. Optional concrete logs can be added to consumers taste. Decorative Rock is not provided. When purchasing decorative rock it is recommended to use minimum of 1-inch diameter rock as a base to fill the burner pan. Decorative glass covering may be loosely scattered on top of rock if desired or non-combustible logs may be added for a campfire look. **NOTE:** If using all glass media, glass must be a minimum of 1/4-inch diameter or larger.
16. Gas lines and fittings must be installed in to the non-combustible structure. All gas connections must be leak tested before installation of the fire pit. Soapy water leak detection is required before regular use of the fire pit.
17. Do not use material that will absorb moisture over time and will not release this moisture quickly. Moisture can boil in this material and can rapidly break apart and cause damage or personal injury.
18. Never leave any other combustible material on top of the fire pit. This could cause unsafe operation of this system and damage to the component that will not be covered under our warranty.
19. Cover the complete burner with lava or decorative Rock material (min. 1-inch diameter). Completely cover the spoke burner, no more than 1 inch above the burner.



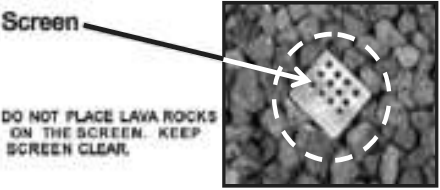
## ▲ **WARNING**

**\*Do not use this fire pit for cooking.**

- Do not burn any other materials than are supplied with and intended for use in this fire pit.
  - \*Do not pour water into fire pit.
  - \*The installation of this product must conform with local codes.
  - \*Do not use this fire pit if any part has been under water.
  - \*Do not store a spare or disconnected liquid propane cylinder under or near this fire pit.
  - \*After a period of storage, and/or non use, the propane fire pit should be checked for gas leaks and burner obstructions before use.
  - \*Do not operate the propane fire pit if there is a gas leak present.
  - \*Never use a flame to check for gas leaks.
  - \*Combustible materials should never be within 10 feet of the top, back or sides of your propane fire pit.
  - \*Do not put any other fire pit cover or anything flammable on, or beneath the fire pit.
  - \*The propane fire pit should never be used by children. Children must be supervised when they are anywhere near the appliance.
  - \*Users should be alerted to the hazards of high surface temperatures and keep a safe distance to avoid burning or clothing ignition.
  - \*Pay attention when operating the fire pit. It is hot in use and should never be left unattended. Do not transit it while in operation.
  - \*Should fire go out while burning, turn the gas valve off. Follow the instruction and wait five minutes before attempting to relight.
  - \*Never use charcoal or any other solid fuel in the fire pit. Never parch clothing or other flammable materials on or near the fire pit.
  - \*Never lean over the open fire pit or place hands or fingers on the upper portion of an operational unit.
  - \*Keep ventilation openings in cylinder enclosure(FIRE PIT BODY) free and clear of debris.
  - \*Do not rest feet on the fire pit.
  - \*Please take out the battery when not using the fire pit for an extended length of time.
  - \*Do not enlarge valve orifices or burner ports when cleaning the valve or burner.
  - \*Cylinder supply system must be arranged for vapor withdrawal
  - \*LP Tank used must include a collar to protect the cylinder valve
  - \*Never fill the cylinder beyond 80% full
  - \*Liquid propane gas is not natural gas. Only use propane for this fire pit.
  - \*The conversion or attempted use of natural gas in a liquid propane unit or liquid propane gas in a natural gas unit is dangerous.
  - \*Do not use this fire pit on vehicles or boats. Always operate the appliance on flat ground outdoors.
  - \*Keep any electrical supply cord and the fuel supply hose away from any heated surfaces.
  - \*Do not use this fire pit unless all parts are in place.
  - \*Keep the appliance area clear and free from combustible materials, gasoline, and other flammable vapors and liquids.
  - \*Inspect the hose before each use of the appliance
  - \*The hose assembly must be replaced prior to the appliance being put into operation if there is evidence of excessive abrasion or wear or if the hose is damaged.
  - \* If the pvc component be damaged ,please send email to supplier : info@wonderfires.com
  - \* Locating the hose out of pathways where people may trip over it or in areas where the hose may be subject to accidental damage.
  - \* the burner must be replaced prior to the appliance being put into operation if it is evident that the burner is damaged.
  - \*If the burner component be damaged,please send email to supplier : info@wonderfires.com
- The LP-gas supply cylinder to be used must be:
- 1) constructed and marked in accordance with the U.S. Department of Transportation(D.O.T.) Specifications for LP-Gas Cylinders, or the Standard for Cylinders, Spheres and Tubes for Transportation of Dangerous Goods and Commission, CAN/CSA-B339, as applicable;
  - 2) provided with a listed overfilling prevention device; and
  - 3) provided with a cylinder connection device compatible with the connection for the appliance.

## FOR LIQUID PROPANE GAS UNITS

- \*Do not attempt to disconnect the gas regulator or any gas fitting while your fire pit is in operation.
- \*A dented or rusty liquid propane cylinder may be hazardous and should be checked by your gas supplier prior to use.
- \*Do not use a liquid propane cylinder with a damaged valve and any other worn out parts.
- \*Transit and store the empty gas cylinders carefully and properly.
- \*If you see, smell or hear the hiss of escaping gas from the liquid propane cylinder:
  1. Turn off the gas supply and get away from the gas cylinder and the fire pit at once.
  2. Do not attempt to correct the problem yourself.
  3. Get to your gas supplier and/or the fire department for help.

<b>▲</b> <b><u>WARNING</u></b>	<b>Screen</b> 
<b>▲</b> This screen must be clear and free of obstructions at all times to insure proper operation.	

## OPERATION

**CAUTION:** Children and adults should be alerted to the hazards on high surface temperatures and should stay away to avoid burns or clothing ignition. Young children should be carefully supervised when they are in the area of the appliance.

**WARNING:** Do not use this appliance if any part has been under water. Immediately call a qualified service technician to inspect the appliance and to replace any part of control system and any gas control, which has been under water.

## SAFETY WARNINGS

1. Never leave the Fire Pit unattended during operation.
2. Clothing or other flammable materials should not be placed on or near the appliance.
3. Any guard or other protective device removed for servicing the appliance must be replaced prior to operating the appliance.
4. Installation and repair should be done by a qualified service person. The appliance should be inspected before use and at least annually by a qualified service person. More frequent cleaning may be required as necessary. It is imperative the control compartment, burners and circulating air passageways of the appliance be kept clean.
5. Inspect the fuel supply connection before each use of the appliance.
6. Temporary storage of this appliance indoors is permissible only if it has been disconnected from its fuel supply (Natural or L.P. gas line).

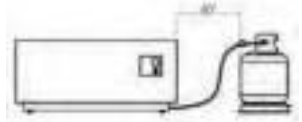
## WARNING

1. This appliance is hot when operated and can cause severe burns if contacted.
2. Do not burn any solid fuels in this appliance.

## INITIAL START UP

1. Turn gas ON. Ensure you have leak tested the fire pit before operating.
2. If using the optional 120V power adapter, you must turn the switch or breaker ON. If using the standard battery pack, ensure batteries are installed and the Fire Pit is ready to operate.
3. Press the ON button on the handheld transmitter. You will hear the ignitor probe sparking, light the gas and fire pit will come on. **WARNING:** Do not stand over Fire Pit during ignition or operation due to high surface temperatures.

The distance between fireplace built-in stage and LP cylinder must be over 60 inches.(as the picture shows)



Put the gas tank in the metal stand. Make sure the gas tank sits on the metal stand completely.  
Turn the wing screw on the outer part of the metal stand clockwise to ensure the gas tank tightly.



## Maintenance

**WARNING:** Any guard or protective device removed for servicing must be replaced prior to operating the fire pit.

**WARNING:** Installation and repair should be done by a qualified service person. Fire pits should be inspected prior to use and at least annually by a qualified service person.

**WARNING:** Ensure gas and power (if applicable) are shut off and fire pit is cool before servicing.

- Keep fire pit covered at all times when not in use.
- Keep any debris out of fire pit- clean as needed.
- Ring Cleaning: (1 x YR) If flames exhibit any abnormal shapes or behavior, or if burner fails to ignite properly, then the burner holes may require cleaning. The appliance can be cleaned by carefully removing the logs and media to allow access to burner. Use a brush to carefully remove dust, spider webs, and loose particles from base, logs, and fire ring itself. If evidence of damage, fire ring must be replaced with fire ring specified by manufacturer.
- Ignition Battery: For changing, simply unscrew cap, replace battery, and tighten cap.

## Troubleshooting

Below are some potential causes and countermeasures to the symptoms indicated in bold. Please contact your retailer or certified technician for service & repair.

Below are some potential causes and countermeasures to the symptoms indicated in bold. If still unable to resolve issue, please contact your retailer or certified technician.

### Will Not Light

- |                                 |   |
|---------------------------------|---|
| 1. Air in gas line.             | If new install, may take several attempts to purge air                            |
| 2. Debris in gas line.          | Confirm gas line is clear (insulation, dirt, plastic, excessive pipe sealer etc.) |
| 3. Gas Pressure Improper        | Confirm proper gas pressure found (Section 1)                                     |
| 4. Spark Igniter needs adjusted | Spark Igniter Must be correctly aligned with burner holes.                        |
| 5. Weak Batteries               | Replace batteries.  |
| 6. Wire is shorted              | Re-route wire away from conductive materials.                                     |

### Will Not Stay Lit

- |                             |   |
|-----------------------------|---|
| 1. Gas Pressure Improper    | Confirm proper gas pressure found (Section 1) |
| 2. Improperly applied media | Review Media in (Section 5)                   |

### Noise

- |                    |                           |
|--------------------|---------------------------|
| 1. Whistling Sound | Change Flex line routing. |
|--------------------|---------------------------|

## Warranty

### Limited Warranty

Ule-cooker outdoor leisure products company warranties build in fire pits against manufacturing defects that prevent safe and correct function as follows:

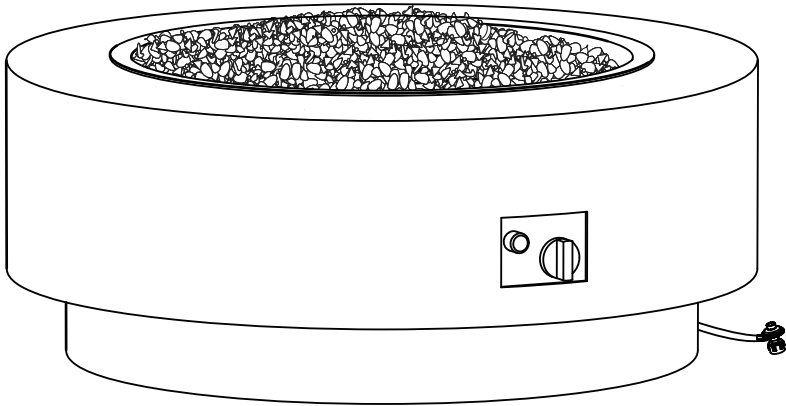
- **Electronics, Gas Valve, & Pilot Assembly: Commercial-6mos; Residential- 1 yr.**
- **Stainless Steel Pan, Fire Ring, & Valve Box: Commercial-1yr.; Residential 3yrs.**

# ARHAUS

your home

## ASSEMBLY INSTRUCTION

### 38" ROUND CONCRETE FIRE PIT



### INSTALLTION PRECAUTION

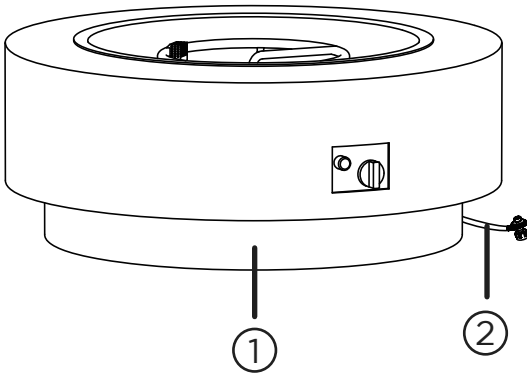
This fire pit requires a minimum 18-square inches of cross ventilation. Failure to provide proper ventilation can void the warranty.



**Warning:** For Outdoor Use Only

**PLEASE RETAIN THIS MANUAL FOR FUTURE REFERENCE**

# Part List



③



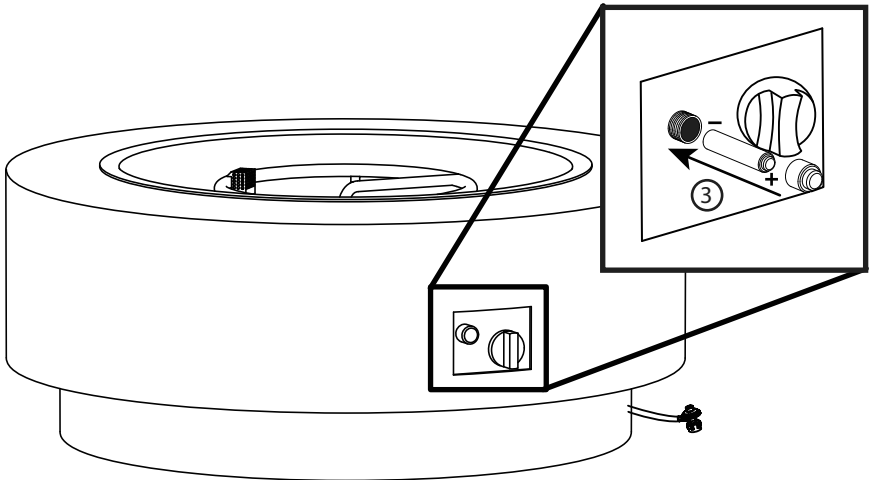
④

- |                       |        |
|-----------------------|--------|
| ① Fire Pit            | 1 pc   |
| ② LP Regulator & Hose | 1 pc   |
| ③ AA Battery          | 1 pc   |
| ④ Lava Rock           | 1 pack |

# Step 1

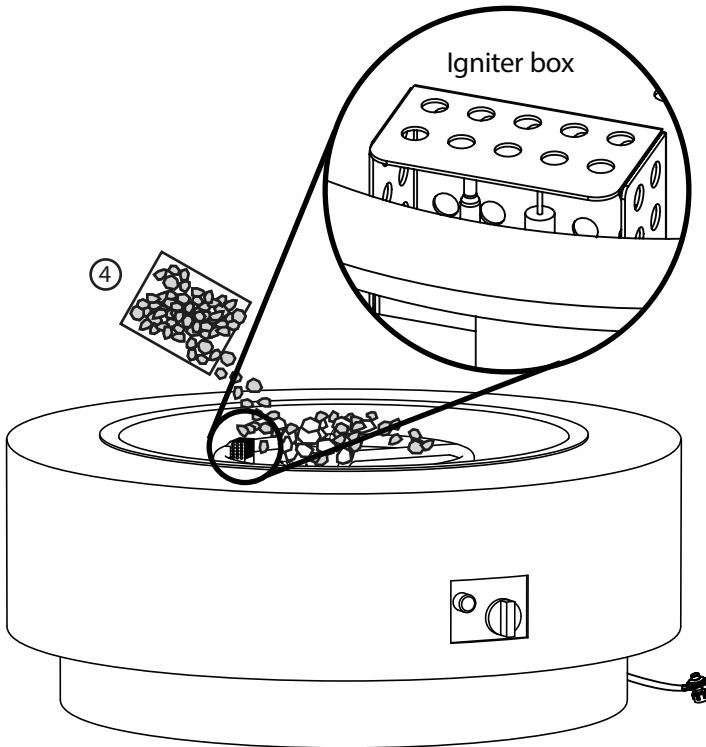
Install the AA battery as shown in the diagram below.

Battery not included.



## Step 2

Place lava rock by hand. DO NOT dump bag out into tray to avoid clogging the burner with dust. Position the lava rock (10kgs) to a level about 1" above the top of the burner. Make sure that you do not block the igniter box with lava rock to ensure proper ignition.

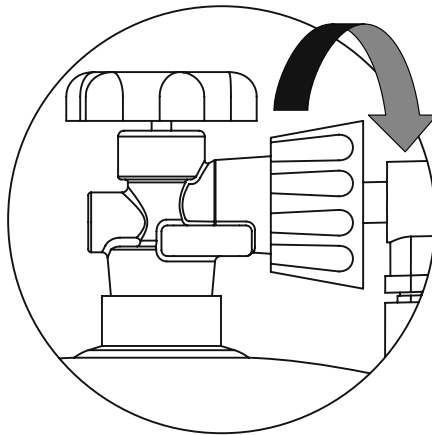


# Step 3

## Connecting the LP Gas Tank

Check to make sure there is no debris in the head of the LP gas tank or in the head of the regulator valve. Make sure you check the burner ports as well.

Connect gas line to tank by turning knob clockwise. Hang tighten only.

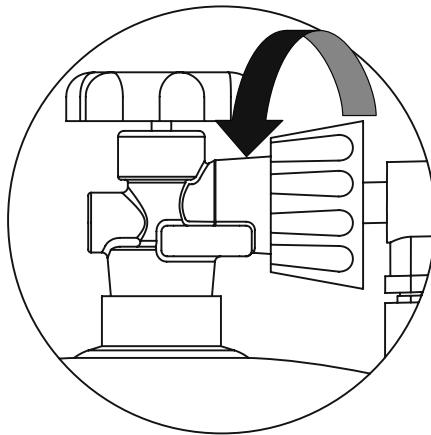




# Step 4

Make sure the valve on the LP gas tank is OFF.

Disconnect by turning the knob counter clockwise until it is detached from the valve.





**DANGER**



**CARBON MONOXIDE HAZZARD**

**This appliance can produce carbon monoxide which has no odor.**

**Using it in an enclosed space can kill you.**

**Never use this appliance in an enclosed space such as a camper, tent, car or home.**



**DANGER**

If you smell gas:

1. Shut off gas to the appliance.
2. Extinguish any open flame.
3. If odor continues, keep away from the appliance and immediately call your gas supplier or fire department.



**WARNING**

Do not store or use gasoline or other flammable vapors and liquids in the vicinity of this or other appliance.

An LP-cylinder not connected for use shall not be stored in the vicinity of this or any other appliance.

**WARNING**

Do not leave unattended during use.  
Do not use for cooking.  
Follow all gas leak procedures in this manual prior to operation.



**WARNING**

Improper installation, adjustment, alteration, service or maintenance can cause injury or property damage. Read the installation, operating and maintenance instructions thoroughly before installing or servicing this equipment

**WARNING:** If the information in these instructions is not followed exactly, a fire or explosion may result causing property damage, personal injury or death.

**FOR YOUR SAFETY**

Do no store or use gasoline or other flammable vapors and liquids in the vicinity of this or another appliance.

## SPECIFICATIONS

Input Rate (Btu/hr):

Model No.    LP BTU

Ulc-PC29-A-E    55,000

Ulc-PZ19-C-E    55,000

Ulc-PY19-C-E    55,000

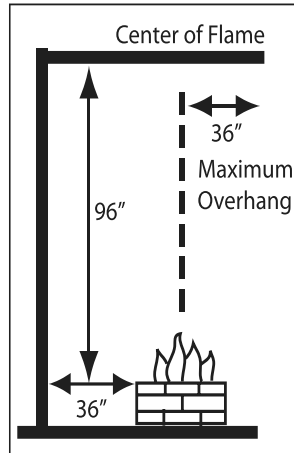


Figure 1. Clearance to Combustibles

GAS	LP
Rated pressure	11.0"WC

## INSTALLATION SAFETY GUIDELINES

- A. Installation and repair should be done by a qualified service person. The appliance should be inspected before use and at least annually by a qualified service person. More frequent cleaning may be required as necessary. It is imperative that control compartment, burners and circulating air passageways of the appliance be kept clean.
- B. Carefully inspect for shipping damage. If any parts are damaged, call the dealer.
- C. Correct installation and proper placement of the unit and decorative media is crucial to the safe performance of the unit. See installation instructions for further information.
- D. Ensure that the unit is installed in such a manner that the vent opening at the base of the unit remains obstacle-free at all times and during all weather conditions.
- E. Due to high temperatures, the unit must be located out of traffic areas and away from combustibles.

## OPERATING THE UNIT SAFETY AND CORRECTLY

- A. **This appliance is only intended for operation in temperatures above 32°F.**
- B. When shutting the unit down—be sure to TURN THE CONTROL VALVE FULLY OFF.
- C. Children MUST be carefully supervised when they are in the area of this appliance.
- D. DO NOT sit or place any part of the body, clothing, or other flammable materials on or near the unit surround. Children and adults should be alerted to the hazard of high surface temperatures and should stay away to avoid burns or clothing ignition.
- E. Every time you use the unit, make sure that:
  - 1. The area around the unit is clear and free from combustible materials, gasoline and other flammable vapors and liquids.
  - 2. There is no blockage of the airflow through the vent openings located on the bottom of the unit.
  - 3. The hose is inspected (if applicable). See the SAFE USE & MAINTENANCE OF PROPANE-GAS CYLINDERS section.
- F. **WARNING: HOT WHILE IN OPERATION AND FOLLOWING OPERATION.** Serious injury can occur! **DO NOT** throw trash, paper, or other flammable materials onto the unit. **DO NOT** leave in operation when unattended.  
**WARNING: DO NOT operate this unit in the rain.**
- G. SOLID FUEL MUST NOT BE BURNED in the unit.
- H. **DO NOT** continue using if you smell unusual odors, or have headaches, nausea, or dizziness.
- I. **DO NOT** store any combustible materials, gasoline, and any other flammable vapors/liquids in the vicinity of the unit. Provide adequate clearance for servicing and operation.
- J. Matches, paper, garbage, or any other material must not be thrown onto the unit or into the flame.
- K. **DO NOT** use the unit if any part of it has been underwater. Immediately call a qualified professional service technician to inspect the set and to replace any part of the control system that has been underwater.

## SAFE USE & MAINTENANCE OF PROPANE GAS BOTTLES

### IMPORTANT FOR YOUR SAFETY

#### READ AND FOLLOW ALL WARNINGS PROVIDED WITH THE PROPANE-GAS CYLINDER.

When operating this appliance with a propane-gas cylinder, these instructions and warnings **MUST** be observed.

#### FAILURE TO DO SO MAY RESULT IN A SERIOUS FIRE OR EXPLOSION.

### CYLINDER/CONNECTOR REQUIREMENTS

- Propane-gas cylinders, valves, and hoses must be maintained in good condition and must be replaced if there is visible damage to either the cylinder or valve. If the hose is cut or shows excessive abrasion or wear, it must be replaced before using the gas appliance (see e.).
- This unit, when used with a cylinder, should be connected to a standard 5-gallon (20 lb.) propane-gas cylinder equipped with an OPD (Overfill Prevention Device). The OPD has been required on all cylinders sold since October 1, 1998, to prevent overfilling.
- Cylinder dimensions should be approximately 12" (30.5 cm) in diameter and 18" (45.7 cm) high. Cylinders must be constructed and marked in accordance with the *Specifications for Propane Gas Cylinders of the U.S.* Department of Transportation (D.O.T.) or the National Standard of Canada, CAN/CSA-B339, Cylinders, Spheres, and Tubes for Transportation of Dangerous Goods.
- The cylinder used must include a collar to protect the cylinder valve, and the cylinder supply system must be arranged for vapor withdrawal.
- The pressure regulator and hose assembly (Fig. 7-1) supplied with this outdoor-cooking gas appliance must be used. Original and replacement pressure regulator and hose assemblies must be those specified by the manufacturer for connection with a cylinder connecting device identified as Type I by the ANSI Z 21.58-2005/CGA 1.6-2005 (see PARTS LIST for ordering information).
- The propane-gas cylinder valve must be equipped with a cylinder connection coupling device, described as Type I in the standard defined in paragraph e. above. This device is commonly described as an Acme thread quick coupler.
- If the propane-gas cylinder comes with a dust plug, place the dust cap on the cylinder valve outlet whenever the cylinder is not in use.

### QUICK COUPLER OPERATION

**To connect the regulator/hose assembly to the propane-gas cylinder valve fitting:** Press the hand nut on the regulator over the Acme thread fitting on the cylinder valve. Turn the hand nut clockwise to engage the threads and tighten until snug.

### LEAK TEST

Turn on the gas supply, ignite the burner, and test at all connections for leaks using a soapy water solution. If bubbles appear, a leak is present. Turn off the gas and tighten at all connections. Repeat until no leaks are present. If a leak persists, turn off the gas supply and contact the local gas company or dealer. **NEVER USE A FLAME TO CHECK FOR LEAKS.**

The use of pliers or a wrench should not be necessary. Only cylinders marked "propane" may be used.

**To disconnect:** Turn the hand nut counterclockwise until detached (Fig. 7-1).

**Important:** Before using the unit, and after each time the cylinder is removed and reattached, check the hose for wear (see a.) and check all connections for leaks. Turn off the unit valves and open the main cylinder valve, then check connections with soapy water. Repair any leaks before lighting the unit.

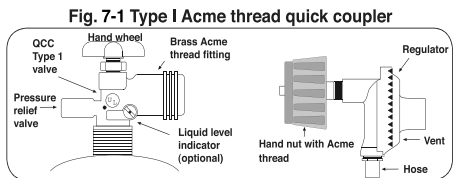
**CAUTION:** Always turn the propane cylinder main valve off after each use, and before moving the unit and cylinder or disconnecting the coupling. This valve must remain closed and the cylinder disconnected while the appliance is not in use, even though the gas flow is stopped by a safety feature when the coupler is disconnected.

**Carefully** inspect the hose assembly each time before the gas is turned on. A cracked or frayed hose should be replaced immediately.

If the appliance is stored indoors, the cylinder must be disconnected and removed. Disconnected cylinders must be stored outdoors, out of the reach of children, with threaded valve plugs tightly installed, and must not be stored in a building, garage, or any other enclosed area.

### FOR YOUR SAFETY

- DO NOT store a spare propane-gas cylinder under or near this appliance.
- NEVER fill the cylinder beyond 80-percent full.
- IF THE INFORMATION IN a. AND b. IS NOT FOLLOWED EXACTLY, A FIRE CAUSING DEATH OR SERIOUS INJURY MAY OCCUR.



Use LP propane gas tanks only with these required measurements:  
12 in. (diameter) x 18 in. (tall) with 20 lb. capacity maximum.

## OPERATING THE UNIT - LIGHTING AND EXTINGUISHING

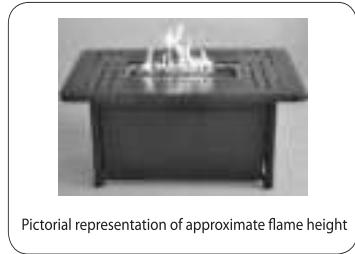
### FOR YOUR SAFETY, READ BEFORE LIGHTING

**WARNING: IF YOU DO NOT FOLLOW THESE INSTRUCTIONS EXACTLY, A FIRE OR EXPLOSION MAY RESULT, CAUSING PROPERTY DAMAGE, PERSONAL INJURY, OR LOSS OF LIFE**

- A. BEFORE LIGHTING**, smell all around the unit area for gas. Be sure to smell next to the floor, because some gas is heavier than air and will settle on the floor.
- B. WHAT TO DO IF YOU SMELL GAS**
1. **Shut off the gas to the appliance.**
  2. **Extinguish any open flame.**
  3. **If odor continues, immediately call** your gas supplier or the fire department.
- C.** Use only your hand to push in or turn the gas control knob. Never use tools. If the knob will not push in or turn by hand, **DO NOT** try to repair it. Call a qualified professional service technician. Force or attempted repair may result in fire or explosion.

### MANUAL (MATCH) LIGHTING INSTRUCTIONS

1. **STOP!** Read the safety information above.
2. **Push and slowly turn the control knob to the HIGH position .**
3. **Hold ignitor to light the burner,release control knob after 45 seconds.**
4. **Observe the flame height when lit. Flame should be 3 to 13 inches high .**
5. **If4. the burner does not light before the match goes out, immediately turn the control knob to the OFF position.**
6. **Wait approximately five minutes to clear out any gas, and repeat steps 1-4 above.**
7. **If your burner fails to light again, turn the control knob to the OFF position and contact your dealer or gas supplier.**
8. **To extinguish your gas burner, turn the control knob to the OFF position. Be sure the control knob is turned fully off to avoid any gas leakage.**



## INSTALLATION OF FIRE PIT INTO AN APPROVED ENCLOSURE

### REQUIREMENTS

1. Only non-combustible materials should come in direct contact with any part of the Fire Pit. Underneath area should be non-combustible as well.
2. Only use 3/4" gas supply line to the Fire Pit. Based on the selection of the fire pit size, the proper brass fittings should be used to ensure a proper installation.
3. Determine the size of the round or square Fire Pit you are preparing to install (Refer to page 3).
4. You must provide a round or square cut out to place the fire pit into the non-combustible enclosure surround. Use the pattern from the shipping carton for sizing.
5. Follow the local code requirements for the gas type being used. This Fire Pit should be installed in accordance with local codes and ordinances or in the absence of local codes, with the latest National Fuel Gas Code, ANSI Z223.1 NFPA54 or CSA B149.1, Natural and Propane Installation Code in Canada.
6. Fire Pits create high temperatures, it is very important to have any combustibles at a safe distance.
7. Normal operation of the Fire Pit is with a battery box that is supplied with your system (Fig 4). The battery box has 12-feet of black sleeved wire that is to be passed through the junction box provided. This wire should not be cut or spliced and the junction box can be placed in the facing of the vertical finish of the fire pit, if you place the wire underground you should install those wires into an approved protective conduit/sleeve material.
8. If (optional) 120VAC adapter (Pg.13) is going to be used to power this system it is required to follow all local codes or National Electrical Code ANSI/NFPA 70 for installation of this electrical outlet. A breaker on wall switch with approved outdoor outlet must be used to insure safety to this Fire Pit. When not in use the breaker should be in the OFF position.
9. Fire pit should never be left unattended while in operation. It should always be a safe distance from all trees and combustible landscape materials.
10. Construction of the finished fire pit should be stable and solid. From the bottom of the control box that houses the gas valve and module, it should be a minimum of 4-inches to the ground level. See figure #1. Drainage is critical to ensure that water does not damage and valve components. Never install the fire ring system below grade.
11. **CAUTION: A minimum of 18 square inches of cross ventilation (2 sides) is required to keep the components in good working order.**
12. The insulation square pad provided with the Fire Pit is to be placed foil up toward the bottom of pan on top of the valve box.
13. Never fill the cavity under and around the valve box with any material, this is a provided air space necessary for ventilation.
14. These products are designed for outdoor use only. Not approved for any indoor use.
15. This Fire Pit is designed to have decorative rock, Lava rock/Media covering the spoke burner. Optional concrete logs can be added to consumers taste. Decorative Rock is not provided. When purchasing decorative rock it is recommended to use minimum of 1-inch diameter rock as a base to fill the burner pan. Decorative glass covering may be loosely scattered on top of rock if desired or non-combustible logs may be added for a campfire look.  
**NOTE:** If using all glass media, glass must be a minimum of 1/4-inch diameter or larger.
16. Gas lines and fittings must be installed in to the non-combustible structure. All gas connections must be leak tested before installation of the fire pit. Soapy water leak detection is required before regular use of the fire pit.
17. Do not use material that will absorb moisture over time and will not release this moisture quickly. Moisture can boil in this material and can rapidly break apart and cause damage or personal injury.
18. Never leave any other combustible material on top of the fire pit. This could cause unsafe operation of this system and damage to the component that will not be covered under our warranty.
19. Cover the complete burner with lava or decorative Rock material (min. 1-inch diameter). Completely cover the spoke burner, no more than 1 inch above the burner.

## ▲ **WARNING**

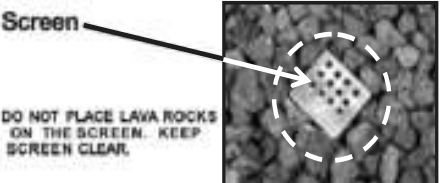
**\*Do not use this fire pit for cooking.**

- Do not burn any other materials than are supplied with and intended for use in this fire pit.
  - \*Do not pour water into fire pit.
  - \*The installation of this product must conform with local codes.
  - \*Do not use this fire pit if any part has been under water.
  - \*Do not store a spare or disconnected liquid propane cylinder under or near this fire pit.
  - \*After a period of storage, and/or non use, the propane fire pit should be checked for gas leaks and burner obstructions before use.
  - \*Do not operate the propane fire pit if there is a gas leak present.
  - \*Never use a flame to check for gas leaks.
  - \*Combustible materials should never be within 10 feet of the top, back or sides of your propane fire pit.
  - \*Do not put any other fire pit cover or anything flammable on, or beneath the fire pit.
  - \*The propane fire pit should never be used by children. Children must be supervised when they are anywhere near the appliance.
  - \*Users should be alerted to the hazards of high surface temperatures and keep a safe distance to avoid burning or clothing ignition.
  - \*Pay attention when operating the fire pit. It is hot in use and should never be left unattended. Do not transit it while in operation.
  - \*Should fire go out while burning, turn the gas valve off. Follow the instruction and wait five minutes before attempting to relight.
  - \*Never use charcoal or any other solid fuel in the fire pit. Never parch clothing or other flammable materials on or near the fire pit.
  - \*Never lean over the open fire pit or place hands or fingers on the upper portion of an operational unit.
  - \*Keep ventilation openings in cylinder enclosure(FIRE PIT BODY) free and clear of debris.
  - \*Do not rest feet on the fire pit.
  - \*Please take out the battery when not using the fire pit for an extended length of time.
  - \*Do not enlarge valve orifices or burner ports when cleaning the valve or burner.
  - \*Cylinder supply system must be arranged for vapor withdrawal
  - \*LP Tank used must include a collar to protect the cylinder valve
  - \*Never fill the cylinder beyond 80% full
  - \*Liquid propane gas is not natural gas. Only use propane for this fire pit.
  - \*The conversion or attempted use of natural gas in a liquid propane unit or liquid propane gas in a natural gas unit is dangerous.
  - \*Do not use this fire pit on vehicles or boats. Always operate the appliance on flat ground outdoors.
  - \*Keep any electrical supply cord and the fuel supply hose away from any heated surfaces.
  - \*Do not use this fire pit unless all parts are in place.
  - \*Keep the appliance area clear and free from combustible materials, gasoline, and other flammable vapors and liquids.
  - \*Inspect the hose before each use of the appliance
  - \*The hose assembly must be replaced prior to the appliance being put into operation if there is evidence of excessive abrasion or wear or if the hose is damaged.
  - \* If the pvc component be damaged ,please send email to supplier : info@wonderfires.com
  - \* Locating the hose out of pathways where people may trip over it or in areas where the hose may be subject to accidental damage.
  - \* the burner must be replaced prior to the appliance being put into operation if it is evident that the burner is damaged.
  - \*If the burner component be damaged,please send email to supplier : info@wonderfires.com
- The LP-gas supply cylinder to be used must be:
- 1) constructed and marked in accordance with the U.S. Department of Transportation(D.O.T.) Specifications for LP-Gas Cylinders, or the Standard for Cylinders, Spheres and Tubes for Transportation of Dangerous Goods and Commission, CAN/CSA-B339, as applicable;
  - 2) provided with a listed overfilling prevention device; and
  - 3) provided with a cylinder connection device compatible with the connection for the appliance.



## FOR LIQUID PROPANE GAS UNITS

- \*Do not attempt to disconnect the gas regulator or any gas fitting while your fire pit is in operation.
- \*A dented or rusty liquid propane cylinder may be hazardous and should be checked by your gas supplier prior to use.
- \*Do not use a liquid propane cylinder with a damaged valve and any other worn out parts.
- \*Transit and store the empty gas cylinders carefully and properly.
- \*If you see, smell or hear the hiss of escaping gas from the liquid propane cylinder:
  1. Turn off the gas supply and get away from the gas cylinder and the fire pit at once.
  2. Do not attempt to correct the problem yourself.
  3. Get to your gas supplier and/or the fire department for help.

<b>▲</b> <b><u>WARNING</u></b>	<b>Screen</b> 
<b>▲</b> This screen must be clear and free of obstructions at all times to insure proper operation.	

## OPERATION

**CAUTION:** Children and adults should be alerted to the hazards on high surface temperatures and should stay away to avoid burns or clothing ignition. Young children should be carefully supervised when they are in the area of the appliance.

**WARNING:** Do not use this appliance if any part has been under water. Immediately call a qualified service technician to inspect the appliance and to replace any part of control system and any gas control, which has been under water.

### SAFETY WARNINGS

1. Never leave the Fire Pit unattended during operation.
2. Clothing or other flammable materials should not be placed on or near the appliance.
3. Any guard or other protective device removed for servicing the appliance must be replaced prior to operating the appliance.
4. Installation and repair should be done by a qualified service person. The appliance should be inspected before use and at least annually by a qualified service person. More frequent cleaning may be required as necessary. It is imperative the control compartment, burners and circulating air passageways of the appliance be kept clean.
5. Inspect the fuel supply connection before each use of the appliance.
6. Temporary storage of this appliance indoors is permissible only if it has been disconnected from its fuel supply (Natural or L.P. gas line).

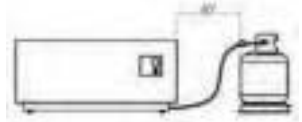
### WARNING

1. This appliance is hot when operated and can cause sever burns if contacted.
2. Do not burn any solid fuels in this appliance.

### INITIAL START UP

1. Turn gas ON. Ensure you have leak tested the fire pit before operating.
2. If using the optional 120V power adapter, you must turn the switch or breaker ON. If using the standard battery pack, ensure batteries are installed and the Fire Pit is ready to operate.
3. Press the ON button on the handheld transmitter. You will hear the ignitor probe sparking, light the gas and fire pit will come on. **WARNING:** Do not stand over Fire Pit during ignition or operation due to high surface temperatures.

The distance between fireplace built-in stage and LP cylinder must be over 60 inches.(as the picture shows)



Put the gas tank in the metal stand. Make sure the gas tank sits on the metal stand completely.  
Turn the wing screw on the outer part of the metal stand clockwise to ensure the gas tank tightly.



## Maintenance

**WARNING:** Any guard or protective device removed for servicing must be replaced prior to operating the fire pit.

**WARNING:** Installation and repair should be done by a qualified service person. Fire pits should be inspected prior to use and at least annually by a qualified service person.

**WARNING:** Ensure gas and power (if applicable) are shut off and fire pit is cool before servicing.

- Keep fire pit covered at all times when not in use.
- Keep any debris out of fire pit- clean as needed.
- Ring Cleaning: (1 x YR) If flames exhibit any abnormal shapes or behavior, or if burner fails to ignite properly, then the burner holes may require cleaning. The appliance can be cleaned by carefully removing the logs and media to allow access to burner. Use a brush to carefully remove dust, spider webs, and loose particles from base, logs, and fire ring itself. If evidence of damage, fire ring must be replaced with fire ring specified by manufacturer.
- Ignition Battery: For changing, simply unscrew cap, replace battery, and tighten cap.

## Troubleshooting

Below are some potential causes and countermeasures to the symptoms indicated in bold. Please contact your retailer or certified technician for service & repair.

Below are some potential causes and countermeasures to the symptoms indicated in bold. If still unable to resolve issue, please contact your retailer or certified technician.

### Will Not Light

- |                                 |   |
|---------------------------------|---|
| 1. Air in gas line.             | If new install, may take several attempts to purge air                            |
| 2. Debris in gas line.          | Confirm gas line is clear (insulation, dirt, plastic, excessive pipe sealer etc.) |
| 3. Gas Pressure Improper        | Confirm proper gas pressure found (Section 1)                                     |
| 4. Spark Igniter needs adjusted | Spark Igniter Must be correctly aligned with burner holes.                        |
| 5. Weak Batteries               | Replace batteries.  |
| 6. Wire is shorted              | Re-route wire away from conductive materials.                                     |

### Will Not Stay Lit

- |                             |   |
|-----------------------------|---|
| 1. Gas Pressure Improper    | Confirm proper gas pressure found (Section 1) |
| 2. Improperly applied media | Review Media in (Section 5)                   |

### Noise

- |                    |                           |
|--------------------|---------------------------|
| 1. Whistling Sound | Change Flex line routing. |
|--------------------|---------------------------|

## Warranty

### Limited Warranty

Ule-cooker outdoor leisure products company warranties build in fire pits against manufacturing defects that prevent safe and correct function as follows:

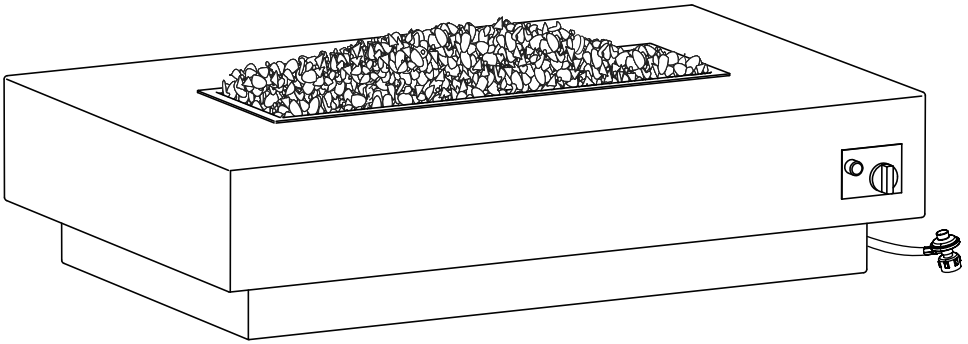
- **Electronics, Gas Valve, & Pilot Assembly: Commercial-6mos; Residential- 1 yr.**
- **Stainless Steel Pan, Fire Ring, & Valve Box: Commercial-1yr.; Residential 3yrs.**

# ARHAUS

your home

## ASSEMBLY INSTRUCTION

### 55" RECTANGLE CONCRETE FIRE PIT



### INSTALLTION PRECAUTION

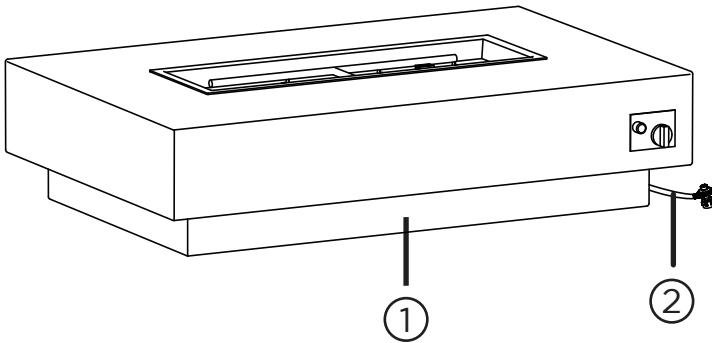
This fire pit requires a minimum 18-square inches of cross ventilation. Failure to provide proper ventilation can void the warranty.



**Warning:** For Outdoor Use Only

**PLEASE RETAIN THIS MANUAL FOR FUTURE REFERENCE**

# Part List



③



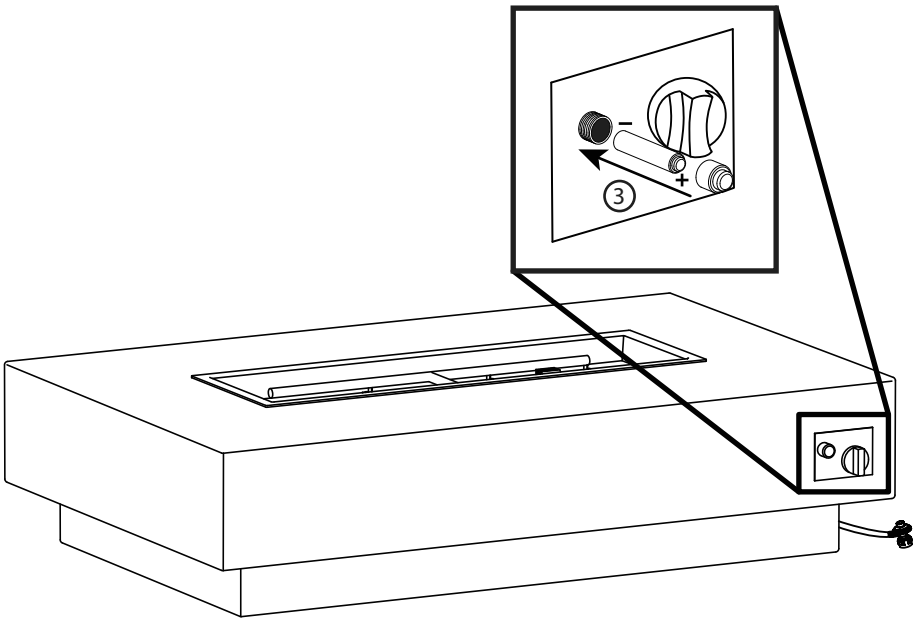
④

- |                       |        |
|-----------------------|--------|
| ① Fire Pit            | 1 pc   |
| ② LP Regulator & Hose | 1 pc   |
| ③ AA Battery          | 1 pc   |
| ④ Lava Rock           | 1 pack |

# Step 1

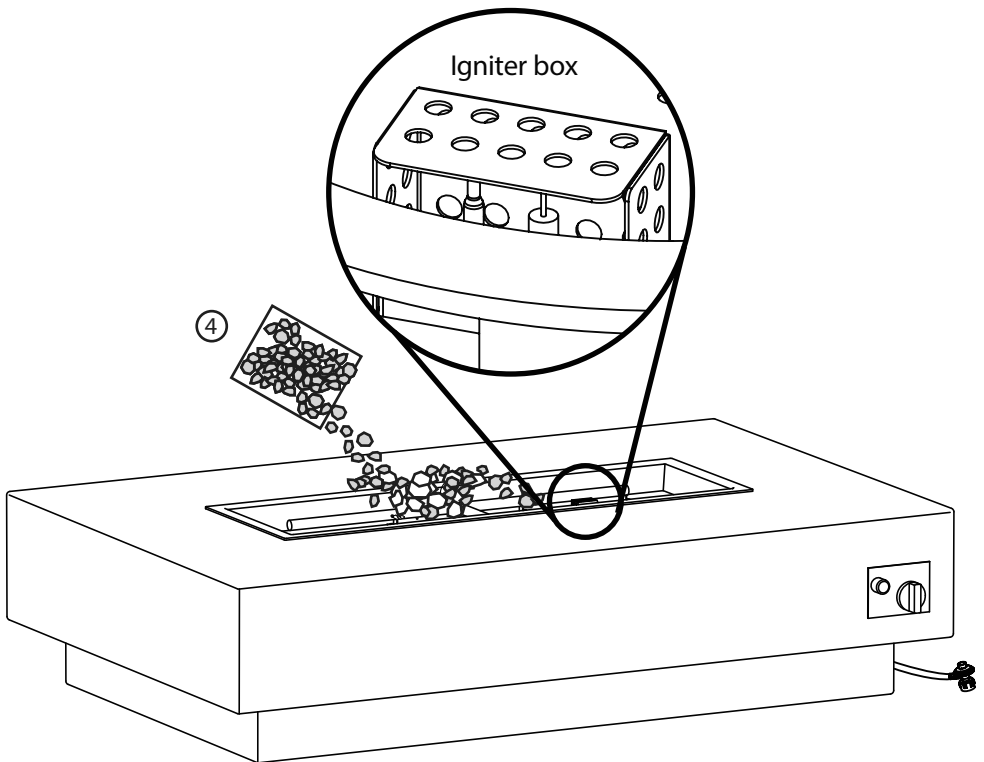
Install the AA battery as shown in the diagram below.

Battery not included.



## Step 2

Place lava rock by hand. DO NOT dump bag out into tray to avoid clogging the burner with dust. Position the lava rock (10kgs) to a level about 1" above the top of the burner. Make sure that you do not block the igniter box with lava rock to ensure proper ignition.

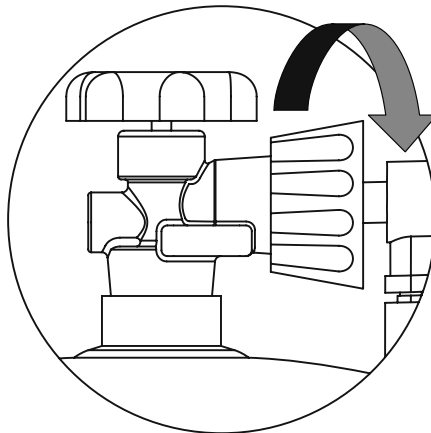


# Step 3

## Connecting the LP Gas Tank

Check to make sure there is no debris in the head of the LP gas tank or in the head of the regulator valve. Make sure you check the burner ports as well.

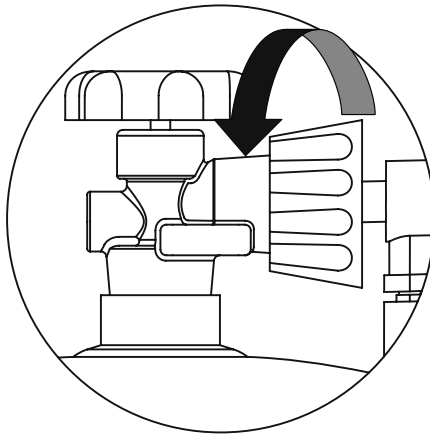
Connect gas line to tank by turning knob clockwise. Hang tighten only.



# Step 4

Make sure the valve on the LP gas tank is OFF.

Disconnect by turning the knob counter clockwise until it is detached from the valve.







**DANGER**



**CARBON MONOXIDE HAZZARD**

**This appliance can produce carbon monoxide which has no odor.**

**Using it in an enclosed space can kill you.**

**Never use this appliance in an enclosed space such as a camper, tent, car or home.**



**DANGER**

If you smell gas:

1. Shut off gas to the appliance.
2. Extinguish any open flame.
3. If odor continues, keep away from the appliance and immediately call your gas supplier or fire department.



**WARNING**

Do not store or use gasoline or other flammable vapors and liquids in the vicinity of this or other appliance.

An LP-cylinder not connected for use shall not be stored in the vicinity of this or any other appliance.

**WARNING**

Do not leave unattended during use.  
Do not use for cooking.  
Follow all gas leak procedures in this manual prior to operation.



**WARNING**

Improper installation, adjustment, alteration, service or maintenance can cause injury or property damage. Read the installation, operating and maintenance instructions thoroughly before installing or servicing this equipment

**WARNING:** If the information in these instructions is not followed exactly, a fire or explosion may result causing property damage, personal injury or death.

**FOR YOUR SAFETY**

Do no store or use gasoline or other flammable vapors and liquids in the vicinity of this or another appliance.

## SPECIFICATIONS

Input Rate (Btu/hr):

Model No.    LP BTU

Ulc-PC29-A-E    55,000

Ulc-PZ19-C-E    55,000

Ulc-PY19-C-E    55,000

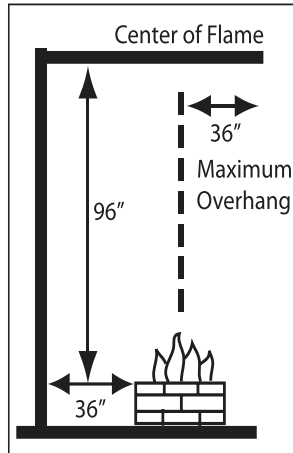


Figure 1. Clearance to Combustibles

GAS	LP
Rated pressure	11.0"WC

## INSTALLATION SAFETY GUIDELINES

- A. Installation and repair should be done by a qualified service person. The appliance should be inspected before use and at least annually by a qualified service person. More frequent cleaning may be required as necessary. It is imperative that control compartment, burners and circulating air passageways of the appliance be kept clean.
- B. Carefully inspect for shipping damage. If any parts are damaged, call the dealer.
- C. Correct installation and proper placement of the unit and decorative media is crucial to the safe performance of the unit. See installation instructions for further information.
- D. Ensure that the unit is installed in such a manner that the vent opening at the base of the unit remains obstacle-free at all times and during all weather conditions.
- E. Due to high temperatures, the unit must be located out of traffic areas and away from combustibles.

## OPERATING THE UNIT SAFETY AND CORRECTLY

- A. **This appliance is only intended for operation in temperatures above 32°F.**
- B. When shutting the unit down—be sure to TURN THE CONTROL VALVE FULLY OFF.
- C. Children MUST be carefully supervised when they are in the area of this appliance.
- D. DO NOT sit or place any part of the body, clothing, or other flammable materials on or near the unit surround. Children and adults should be alerted to the hazard of high surface temperatures and should stay away to avoid burns or clothing ignition.
- E. Every time you use the unit, make sure that:
  - 1. The area around the unit is clear and free from combustible materials, gasoline and other flammable vapors and liquids.
  - 2. There is no blockage of the airflow through the vent openings located on the bottom of the unit.
  - 3. The hose is inspected (if applicable). See the SAFE USE & MAINTENANCE OF PROPANE-GAS CYLINDERS section.
- F. **WARNING: HOT WHILE IN OPERATION AND FOLLOWING OPERATION.** Serious injury can occur! **DO NOT** throw trash, paper, or other flammable materials onto the unit. **DO NOT** leave in operation when unattended.  
**WARNING: DO NOT operate this unit in the rain.**
- G. SOLID FUEL MUST NOT BE BURNED in the unit.
- H. **DO NOT** continue using if you smell unusual odors, or have headaches, nausea, or dizziness.
- I. **DO NOT** store any combustible materials, gasoline, and any other flammable vapors/liquids in the vicinity of the unit. Provide adequate clearance for servicing and operation.
- J. Matches, paper, garbage, or any other material must not be thrown onto the unit or into the flame.
- K. **DO NOT** use the unit if any part of it has been underwater. Immediately call a qualified professional service technician to inspect the set and to replace any part of the control system that has been underwater.

# SAFE USE & MAINTENANCE OF PROPANE GAS BOTTLES

## IMPORTANT FOR YOUR SAFETY

### READ AND FOLLOW ALL WARNINGS PROVIDED WITH THE PROPANE-GAS CYLINDER.

When operating this appliance with a propane-gas cylinder, these instructions and warnings **MUST** be observed.

**FAILURE TO DO SO MAY RESULT IN A SERIOUS FIRE OR EXPLOSION.**

## CYLINDER/CONNECTOR REQUIREMENTS

- Propane-gas cylinders, valves, and hoses must be maintained in good condition and must be replaced if there is visible damage to either the cylinder or valve. If the hose is cut or shows excessive abrasion or wear, it must be replaced before using the gas appliance (see e.).
- This unit, when used with a cylinder, should be connected to a standard 5-gallon (20 lb.) propane-gas cylinder equipped with an OPD (Overfill Prevention Device). The OPD has been required on all cylinders sold since October 1, 1998, to prevent overfilling.
- Cylinder dimensions should be approximately 12" (30.5 cm) in diameter and 18" (45.7 cm) high. Cylinders must be constructed and marked in accordance with the *Specifications for Propane Gas Cylinders of the U.S.* Department of Transportation (D.O.T.) or the National Standard of Canada, CAN/CSA-B339, Cylinders, Spheres, and Tubes for Transportation of Dangerous Goods.
- The cylinder used must include a collar to protect the cylinder valve, and the cylinder supply system must be arranged for vapor withdrawal.
- The pressure regulator and hose assembly (Fig. 7-1) supplied with this outdoor-cooking gas appliance must be used. Original and replacement pressure regulator and hose assemblies must be those specified by the manufacturer for connection with a cylinder connecting device identified as Type I by the ANSI Z 21.58-2005/CGA 1.6-2005 (see PARTS LIST for ordering information).
- The propane-gas cylinder valve must be equipped with a cylinder connection coupling device, described as Type I in the standard defined in paragraph e. above. This device is commonly described as an Acme thread quick coupler.
- If the propane-gas cylinder comes with a dust plug, place the dust cap on the cylinder valve outlet whenever the cylinder is not in use.

## QUICK COUPLER OPERATION

**To connect the regulator/hose assembly to the propane-gas cylinder valve fitting:** Press the hand nut on the regulator over the Acme thread fitting on the cylinder valve. Turn the hand nut clockwise to engage the threads and tighten until snug.

## LEAK TEST

Turn on the gas supply, ignite the burner, and test at all connections for leaks using a soapy water solution. If bubbles appear, a leak is present. Turn off the gas and tighten at all connections. Repeat until no leaks are present. If a leak persists, turn off the gas supply and contact the local gas company or dealer. **NEVER USE A FLAME TO CHECK FOR LEAKS.**

The use of pliers or a wrench should not be necessary. Only cylinders marked "propane" may be used.

**To disconnect:** Turn the hand nut counterclockwise until detached (Fig. 7-1).

**Important:** Before using the unit, and after each time the cylinder is removed and reattached, check the hose for wear (see a.) and check all connections for leaks. Turn off the unit valves and open the main cylinder valve, then check connections with soapy water. Repair any leaks before lighting the unit.

**CAUTION:** Always turn the propane cylinder main valve off after each use, and before moving the unit and cylinder or disconnecting the coupling. This valve must remain closed and the cylinder disconnected while the appliance is not in use, even though the gas flow is stopped by a safety feature when the coupler is disconnected.

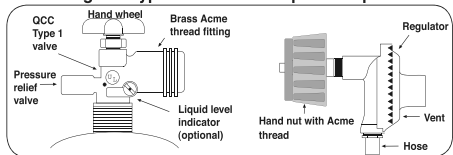
**Carefully** inspect the hose assembly each time before the gas is turned on. A cracked or frayed hose should be replaced immediately.

If the appliance is stored indoors, the cylinder must be disconnected and removed. Disconnected cylinders must be stored outdoors, out of the reach of children, with threaded valve plugs tightly installed, and must not be stored in a building, garage, or any other enclosed area.

## FOR YOUR SAFETY

- DO NOT store a spare propane-gas cylinder under or near this appliance.
- NEVER fill the cylinder beyond 80-percent full.
- IF THE INFORMATION IN a. AND b. IS NOT FOLLOWED EXACTLY, A FIRE CAUSING DEATH OR SERIOUS INJURY MAY OCCUR.

Fig. 7-1 Type I Acme thread quick coupler



Use LP propane gas tanks only with these required measurements:  
12 in. (diameter) x 18 in. (tall) with 20 lb. capacity maximum.

## OPERATING THE UNIT - LIGHTING AND EXTINGUISHING

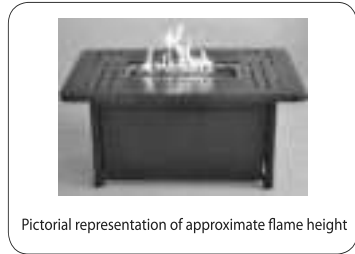
### FOR YOUR SAFETY, READ BEFORE LIGHTING

**WARNING: IF YOU DO NOT FOLLOW THESE INSTRUCTIONS EXACTLY, A FIRE OR EXPLOSION MAY RESULT, CAUSING PROPERTY DAMAGE, PERSONAL INJURY, OR LOSS OF LIFE**

- A. BEFORE LIGHTING**, smell all around the unit area for gas. Be sure to smell next to the floor, because some gas is heavier than air and will settle on the floor.
- B. WHAT TO DO IF YOU SMELL GAS**
1. **Shut off the gas to the appliance.**
  2. **Extinguish any open flame.**
  3. **If odor continues, immediately call** your gas supplier or the fire department.
- C.** Use only your hand to push in or turn the gas control knob. Never use tools. If the knob will not push in or turn by hand, **DO NOT** try to repair it. Call a qualified professional service technician. Force or attempted repair may result in fire or explosion.

### MANUAL (MATCH) LIGHTING INSTRUCTIONS

1. **STOP!** Read the safety information above.
2. **Push and slowly turn the control knob to the HIGH position .**
3. **Hold ignitor to light the burner,release control knob after 45 seconds.**
4. **Observe the flame height when lit. Flame should be 3 to 13 inches high .**
5. **If4. the burner does not light before the match goes out, immediately turn the control knob to the OFF position.**
6. **Wait approximately five minutes to clear out any gas, and repeat steps 1-4 above.**
7. **If your burner fails to light again, turn the control knob to the OFF position and contact your dealer or gas supplier.**
8. **To extinguish your gas burner, turn the control knob to the OFF position. Be sure the control knob is turned fully off to avoid any gas leakage.**



Pictorial representation of approximate flame height

## INSTALLATION OF FIRE PIT INTO AN APPROVED ENCLOSURE

### REQUIREMENTS

1. Only non-combustible materials should come in direct contact with any part of the Fire Pit. Underneath area should be non-combustible as well.
2. Only use 3/4" gas supply line to the Fire Pit. Based on the selection of the fire pit size, the proper brass fittings should be used to ensure a proper installation.
3. Determine the size of the round or square Fire Pit you are preparing to install (Refer to page 3).
4. You must provide a round or square cut out to place the fire pit into the non-combustible enclosure surround. Use the pattern from the shipping carton for sizing.
5. Follow the local code requirements for the gas type being used. This Fire Pit should be installed in accordance with local codes and ordinances or in the absence of local codes, with the latest National Fuel Gas Code, ANSI Z223.1 NFPA54 or CSA B149.1, Natural and Propane Installation Code in Canada.
6. Fire Pits create high temperatures, it is very important to have any combustibles at a safe distance.
7. Normal operation of the Fire Pit is with a battery box that is supplied with your system (Fig 4). The battery box has 12-feet of black sleeved wire that is to be passed through the junction box provided. This wire should not be cut or spliced and the junction box can be placed in the facing of the vertical finish of the fire pit, if you place the wire underground you should install those wires into an approved protective conduit/sleeve material.
8. If (optional) 120VAC adapter (Pg.13) is going to be used to power this system it is required to follow all local codes or National Electrical Code ANSI/NFPA 70 for installation of this electrical outlet. A breaker on wall switch with approved outdoor outlet must be used to insure safety to this Fire Pit. When not in use the breaker should be in the OFF position.
9. Fire pit should never be left unattended while in operation. It should always be a safe distance from all trees and combustible landscape materials.
10. Construction of the finished fire pit should be stable and solid. From the bottom of the control box that houses the gas valve and module, it should be a minimum of 4-inches to the ground level. See figure #1. Drainage is critical to ensure that water does not damage and valve components. Never install the fire ring system below grade.
11. **CAUTION: A minimum of 18 square inches of cross ventilation (2 sides) is required to keep the components in good working order.**
12. The insulation square pad provided with the Fire Pit is to be placed foil up toward the bottom of pan on top of the valve box.
13. Never fill the cavity under and around the valve box with any material, this is a provided air space necessary for ventilation.
14. These products are designed for outdoor use only. Not approved for any indoor use.
15. This Fire Pit is designed to have decorative rock, Lava rock/Media covering the spoke burner. Optional concrete logs can be added to consumers taste. Decorative Rock is not provided. When purchasing decorative rock it is recommended to use minimum of 1-inch diameter rock as a base to fill the burner pan. Decorative glass covering may be loosely scattered on top of rock if desired or non-combustible logs may be added for a campfire look. **NOTE:** If using all glass media, glass must be a minimum of 1/4-inch diameter or larger.
16. Gas lines and fittings must be installed in to the non-combustible structure. All gas connections must be leak tested before installation of the fire pit. Soapy water leak detection is required before regular use of the fire pit.
17. Do not use material that will absorb moisture over time and will not release this moisture quickly. Moisture can boil in this material and can rapidly break apart and cause damage or personal injury.
18. Never leave any other combustible material on top of the fire pit. This could cause unsafe operation of this system and damage to the component that will not be covered under our warranty.
19. Cover the complete burner with lava or decorative Rock material (min. 1-inch diameter). Completely cover the spoke burner, no more than 1 inch above the burner.

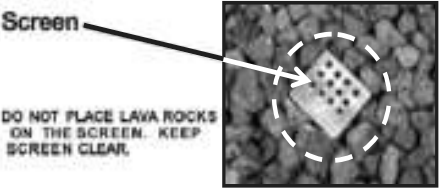
## ▲ **WARNING**

**\*Do not use this fire pit for cooking.**

- Do not burn any other materials than are supplied with and intended for use in this fire pit.
  - \*Do not pour water into fire pit.
  - \*The installation of this product must conform with local codes.
  - \*Do not use this fire pit if any part has been under water.
  - \*Do not store a spare or disconnected liquid propane cylinder under or near this fire pit.
  - \*After a period of storage, and/or non use, the propane fire pit should be checked for gas leaks and burner obstructions before use.
  - \*Do not operate the propane fire pit if there is a gas leak present.
  - \*Never use a flame to check for gas leaks.
  - \*Combustible materials should never be within 10 feet of the top, back or sides of your propane fire pit.
  - \*Do not put any other fire pit cover or anything flammable on, or beneath the fire pit.
  - \*The propane fire pit should never be used by children. Children must be supervised when they are anywhere near the appliance.
  - \*Users should be alerted to the hazards of high surface temperatures and keep a safe distance to avoid burning or clothing ignition.
  - \*Pay attention when operating the fire pit. It is hot in use and should never be left unattended. Do not transit it while in operation.
  - \*Should fire go out while burning, turn the gas valve off. Follow the instruction and wait five minutes before attempting to relight.
  - \*Never use charcoal or any other solid fuel in the fire pit. Never parch clothing or other flammable materials on or near the fire pit.
  - \*Never lean over the open fire pit or place hands or fingers on the upper portion of an operational unit.
  - \*Keep ventilation openings in cylinder enclosure(FIRE PIT BODY) free and clear of debris.
  - \*Do not rest feet on the fire pit.
  - \*Please take out the battery when not using the fire pit for an extended length of time.
  - \*Do not enlarge valve orifices or burner ports when cleaning the valve or burner.
  - \*Cylinder supply system must be arranged for vapor withdrawal
  - \*LP Tank used must include a collar to protect the cylinder valve
  - \*Never fill the cylinder beyond 80% full
  - \*Liquid propane gas is not natural gas. Only use propane for this fire pit.
  - \*The conversion or attempted use of natural gas in a liquid propane unit or liquid propane gas in a natural gas unit is dangerous.
  - \*Do not use this fire pit on vehicles or boats. Always operate the appliance on flat ground outdoors.
  - \*Keep any electrical supply cord and the fuel supply hose away from any heated surfaces.
  - \*Do not use this fire pit unless all parts are in place.
  - \*Keep the appliance area clear and free from combustible materials, gasoline, and other flammable vapors and liquids.
  - \*Inspect the hose before each use of the appliance
  - \*The hose assembly must be replaced prior to the appliance being put into operation if there is evidence of excessive abrasion or wear or if the hose is damaged.
  - \* If the pvc component be damaged ,please send email to supplier : info@wonderfires.com
  - \* Locating the hose out of pathways where people may trip over it or in areas where the hose may be subject to accidental damage.
  - \* the burner must be replaced prior to the appliance being put into operation if it is evident that the burner is damaged.
  - \*If the burner component be damaged,please send email to supplier : info@wonderfires.com
- The LP-gas supply cylinder to be used must be:
- 1) constructed and marked in accordance with the U.S. Department of Transportation(D.O.T.) Specifications for LP-Gas Cylinders, or the Standard for Cylinders, Spheres and Tubes for Transportation of Dangerous Goods and Commission, CAN/CSA-B339, as applicable;
  - 2) provided with a listed overfilling prevention device; and
  - 3) provided with a cylinder connection device compatible with the connection for the appliance.

## FOR LIQUID PROPANE GAS UNITS

- \*Do not attempt to disconnect the gas regulator or any gas fitting while your fire pit is in operation.
- \*A dented or rusty liquid propane cylinder may be hazardous and should be checked by your gas supplier prior to use.
- \*Do not use a liquid propane cylinder with a damaged valve and any other worn out parts.
- \*Transit and store the empty gas cylinders carefully and properly.
- \*If you see, smell or hear the hiss of escaping gas from the liquid propane cylinder:
  1. Turn off the gas supply and get away from the gas cylinder and the fire pit at once.
  2. Do not attempt to correct the problem yourself.
  3. Get to your gas supplier and/or the fire department for help.

<b>▲</b> <b><u>WARNING</u></b>	<b>Screen</b> 
<b>▲</b> This screen must be clear and free of obstructions at all times to insure proper operation.	

## OPERATION

**CAUTION:** Children and adults should be alerted to the hazards on high surface temperatures and should stay away to avoid burns or clothing ignition. Young children should be carefully supervised when they are in the area of the appliance.

**WARNING:** Do not use this appliance if any part has been under water. Immediately call a qualified service technician to inspect the appliance and to replace any part of control system and any gas control, which has been under water.

### SAFETY WARNINGS

1. Never leave the Fire Pit unattended during operation.
2. Clothing or other flammable materials should not be placed on or near the appliance.
3. Any guard or other protective device removed for servicing the appliance must be replaced prior to operating the appliance.
4. Installation and repair should be done by a qualified service person. The appliance should be inspected before use and at least annually by a qualified service person. More frequent cleaning may be required as necessary. It is imperative the control compartment, burners and circulating air passageways of the appliance be kept clean.
5. Inspect the fuel supply connection before each use of the appliance.
6. Temporary storage of this appliance indoors is permissible only if it has been disconnected from its fuel supply (Natural or L.P. gas line).

### WARNING

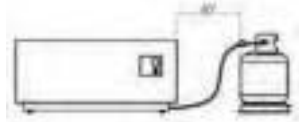
1. This appliance is hot when operated and can cause sever burns if contacted.
2. Do not burn any solid fuels in this appliance.

### INITIAL START UP

1. Turn gas ON. Ensure you have leak tested the fire pit before operating.
2. If using the optional 120V power adapter, you must turn the switch or breaker ON. If using the standard battery pack, ensure batteries are installed and the Fire Pit is ready to operate.
3. Press the ON button on the handheld transmitter. You will hear the ignitor probe sparking, light the gas and fire pit will come on. **WARNING:** Do not stand over Fire Pit during ignition or operation due to high surface temperatures.



The distance between fireplace built-in stage and LP cylinder must be over 60 inches.(as the picture shows)



Put the gas tank in the metal stand. Make sure the gas tank sits on the metal stand completely.  
Turn the wing screw on the outer part of the metal stand clockwise to ensure the gas tank tightly.



## Maintenance

**WARNING:** Any guard or protective device removed for servicing must be replaced prior to operating the fire pit.

**WARNING:** Installation and repair should be done by a qualified service person. Fire pits should be inspected prior to use and at least annually by a qualified service person.

**WARNING:** Ensure gas and power (if applicable) are shut off and fire pit is cool before servicing.

- Keep fire pit covered at all times when not in use.
- Keep any debris out of fire pit- clean as needed.
- Ring Cleaning: (1 x YR) If flames exhibit any abnormal shapes or behavior, or if burner fails to ignite properly, then the burner holes may require cleaning. The appliance can be cleaned by carefully removing the logs and media to allow access to burner. Use a brush to carefully remove dust, spider webs, and loose particles from base, logs, and fire ring itself. If evidence of damage, fire ring must be replaced with fire ring specified by manufacturer.
- Ignition Battery: For changing, simply unscrew cap, replace battery, and tighten cap.

## Troubleshooting

Below are some potential causes and countermeasures to the symptoms indicated in bold. Please contact your retailer or certified technician for service & repair.

Below are some potential causes and countermeasures to the symptoms indicated in bold. If still unable to resolve issue, please contact your retailer or certified technician.

### Will Not Light

- |                                 |   |
|---------------------------------|---|
| 1. Air in gas line.             | If new install, may take several attempts to purge air                            |
| 2. Debris in gas line.          | Confirm gas line is clear (insulation, dirt, plastic, excessive pipe sealer etc.) |
| 3. Gas Pressure Improper        | Confirm proper gas pressure found (Section 1)                                     |
| 4. Spark Igniter needs adjusted | Spark Igniter Must be correctly aligned with burner holes.                        |
| 5. Weak Batteries               | Replace batteries.  |
| 6. Wire is shorted              | Re-route wire away from conductive materials.                                     |

### Will Not Stay Lit

- |                             |   |
|-----------------------------|---|
| 1. Gas Pressure Improper    | Confirm proper gas pressure found (Section 1) |
| 2. Improperly applied media | Review Media in (Section 5)                   |

### Noise

- |                    |                           |
|--------------------|---------------------------|
| 1. Whistling Sound | Change Flex line routing. |
|--------------------|---------------------------|

## Warranty

### Limited Warranty

Ule-cooker outdoor leisure products company warranties build in fire pits against manufacturing defects that prevent safe and correct function as follows:

- **Electronics, Gas Valve, & Pilot Assembly: Commercial-6mos; Residential- 1 yr.**
- **Stainless Steel Pan, Fire Ring, & Valve Box: Commercial-1yr.; Residential 3yrs.**

## CONVERTING TO A DIFFERENT GAS TYPE

To convert propane to natural gas or from natural to propane gas, carefully follow the steps below:

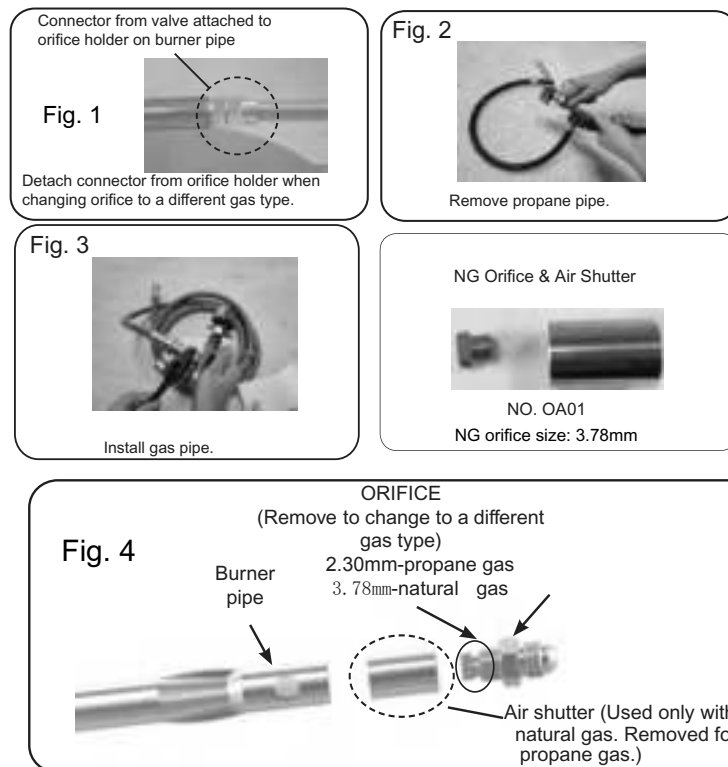
1. **SHUT OFF THE GAS SUPPLY TO THE UNIT AND ANY NEARBY ELECTRICAL SOURCES OR APPLIANCES.**
2. If present, remove all decorative media from the unit.
3. Remove the screws attaching the burner pan to your enclosure.
4. Carefully detach the flex connector attached to the orifice holder (see Fig. 1 ) and unscrew the orifice holder from the burner pipe (see Fig. 1 ).
5. Remove the orifice from the holder (see Fig. 2 ) and replace with the proper-sized one for your gas requirement. Propane gas requires a 2.30mm(drill size) orifice.Natural gas require a 3.78mm orifice orifice

Note: If you are converting to and using natural gas you MUST install the air shutter over burner pipe to cover the air holes (see Fig. 4 ). For propane (L.P.) gas, remove the air shutter.

Replace the orifice holder and reattach the connector from the valve (see Fig. 3).

The regulator must now be converted to the new gas type.

6. To convert the regulator from propane gas to natural gas.  
The appliance must be isolated from the gas supply piping system by closing , It's individual manual shut off valve suring any pressure testing of the gas supply piping system. At test pressure equal to or less than 1/2 psi (3.5 Kpa).
7. Move the propane pipe from regulator and replace with 3/8" natural gas pipe
8. Restore your gas supply and check for leaks per the INSTALLATION section. When no leaks are detected, fasten the burner pan back into place on the enclosure and replace the decorative media.



We recommend that the natural gas conversion valve and hose kit be installed by a licensed professional.

# Rect Fire Pit

SKU#

70FR53LGLG

70FPITLONARC

70FR53CNLG

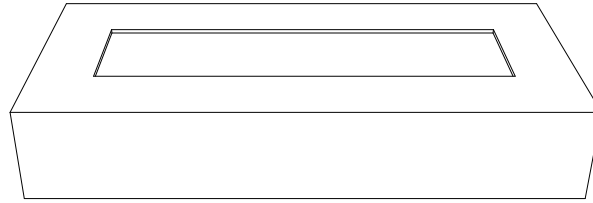
70FR67CNGR

70FR67LGGR

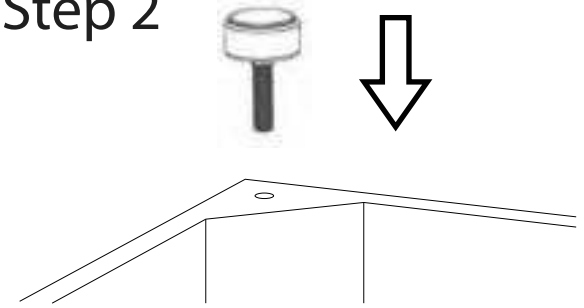
70FR67CNLG

70FR67LGNT

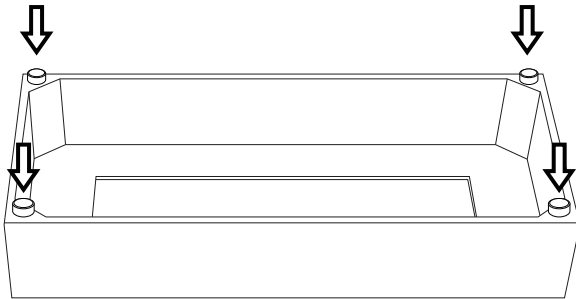
## Step 1



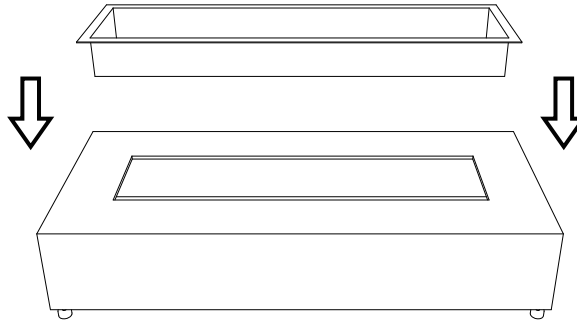
## Step 2



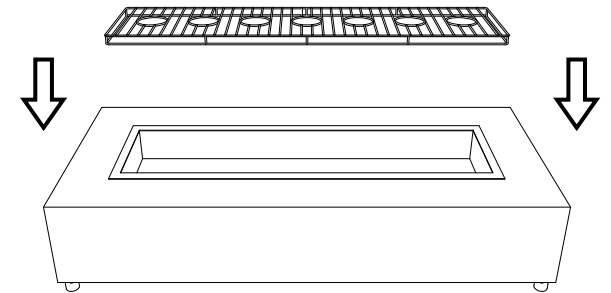
## Step 3



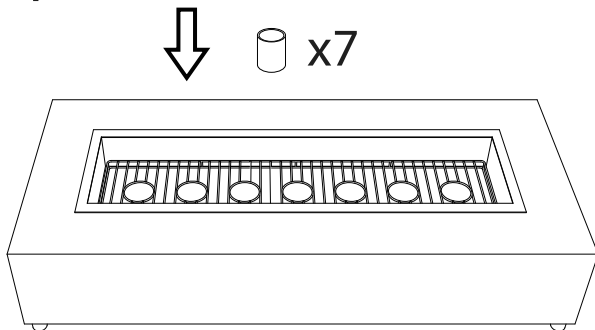
## Step 4



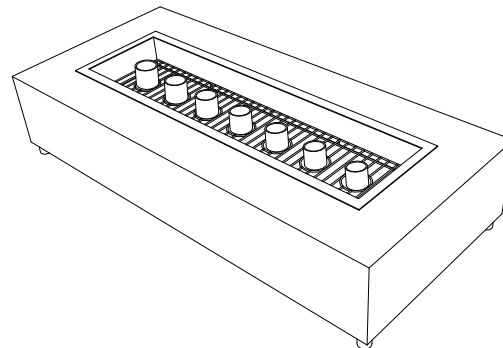
## Step 5



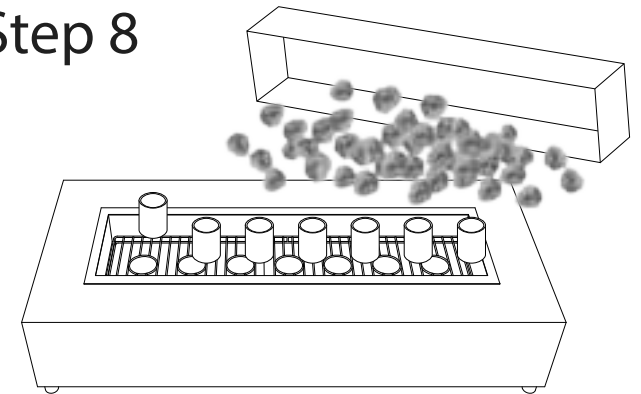
## Step 6



## Step 7



## Step 8

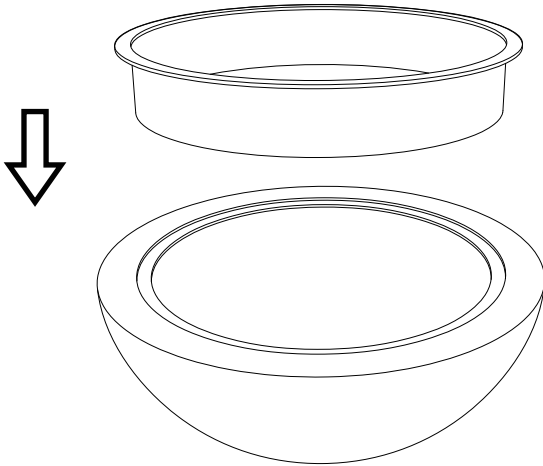


Round Fire Pit  
SKU# 70FRRDCNGR

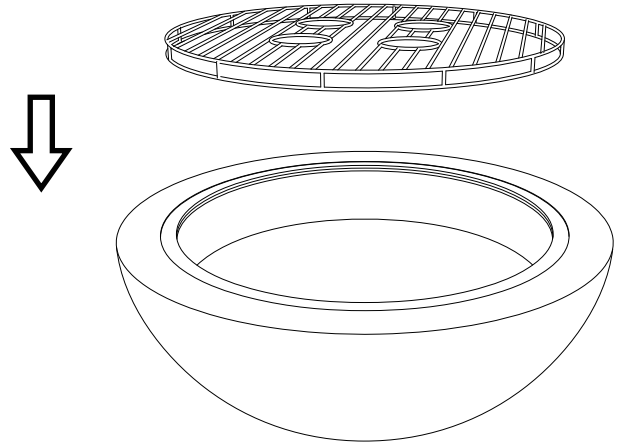
ARHAUS<sup>®</sup>  
your home

## ASSEMBLY INSTRUCTION

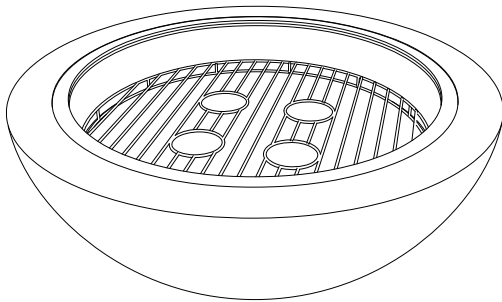
Step 1



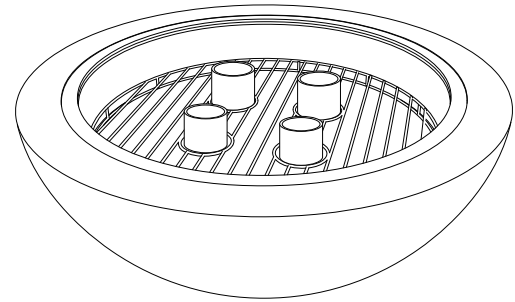
Step 2



Step 3



Step 4



Step 5

