

parts enclosed:

A	Finial	1
B	Lamp Shade (packed separately)	1
C	Harp	1

important safety instructions:

1. To avoid the risk of fire, do not exceed the recommended wattage.
2. This portable lamp has a polarized plug (one blade is wider than the other) as a safety feature to reduce the risk of electric shock. This plug will fit in a polarized outlet only one way. If the plug does not fit fully in the outlet, reverse the plug. If it still does not fit, contact a qualified electrician. Never use with an extension cord unless plug can be fully inserted. Do not attempt to defeat this safety feature.

warnings:

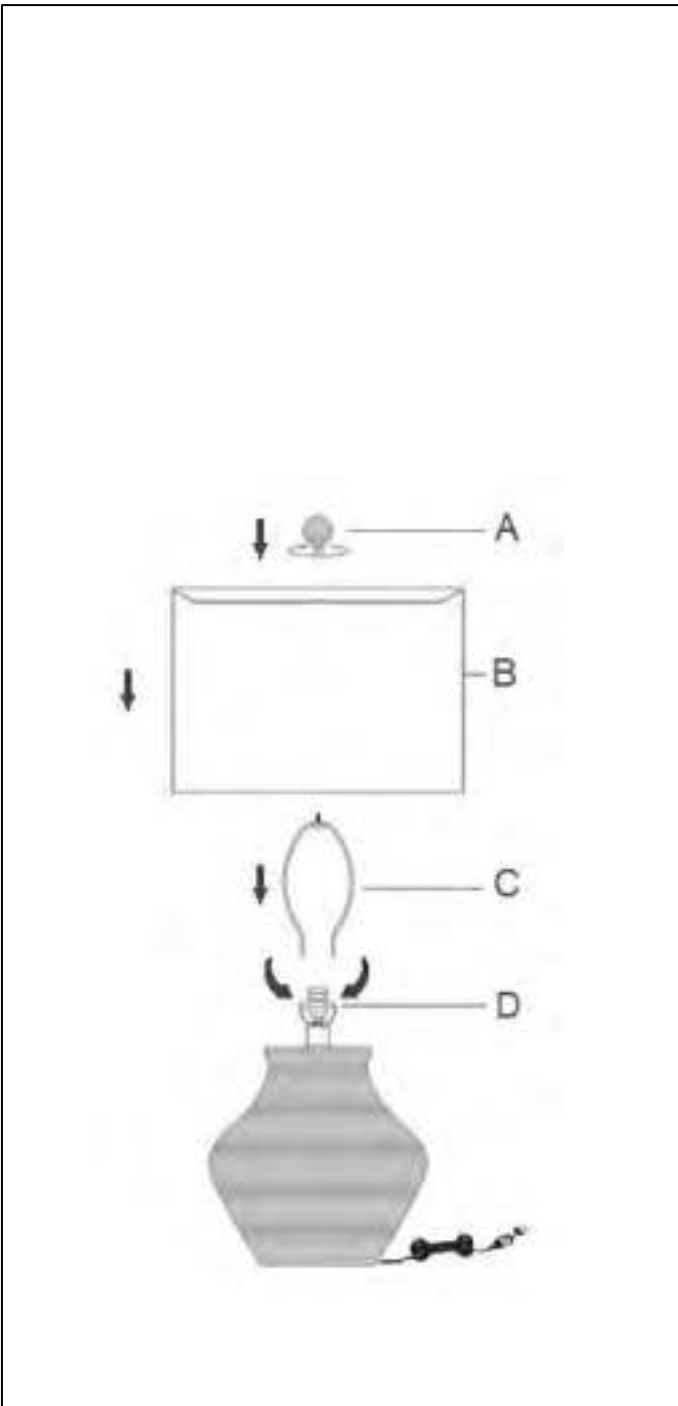
1. Do not remove the lamp from packaging by pulling on the power cord, as a bad connection may result.
2. To reduce the risk of fire, electrical shock, or personal injury, turn off the lamp and allow it to cool prior to replacing the light bulb.
3. Do not touch the bulb when the lamp is turned on or look directly at lit bulb.
4. Keep flammable materials away from lit bulb.
5. Remove the clear shade cover prior to use.
6. This portable lamp is meant for indoor use, dry locations only.
7. This lamp has been rated for up to one (1) 150-Watt maximum Type A standard medium base incandescent light bulb (not included) or one (1) 32-watt compact fluorescent light bulb (not included) or one (1) 28-Watt LED light bulb (not included).
8. Save these instructions.

to assemble:

1. Unpack all parts from carton carefully.
2. Insert the Harp (C) into the Saddle (D) and lower the harp caps until they cover the two-pronged Saddle (D).
3. Unscrew the Finial (A) from the harp top. Place the Shade (B) over the assembled Harp (C), making sure the harp top extends through the hole at the top of the Lamp Shade.
4. Attach the Finial (A) onto the harp top and tighten to secure the Lamp Shade (B).
5. Insert ONE (1) 150-watt maximum TYPE A standard medium base incandescent light bulb (not included), or ONE (1) 32-watt maximum compact fluorescent light bulb (not included), or ONE (1) 28-watt maximum LED light bulb (not included) into the socket.
6. Remove the protective plastic from the electrical plug.
7. Plug the lamp into a proper electrical outlet and test this lamp.

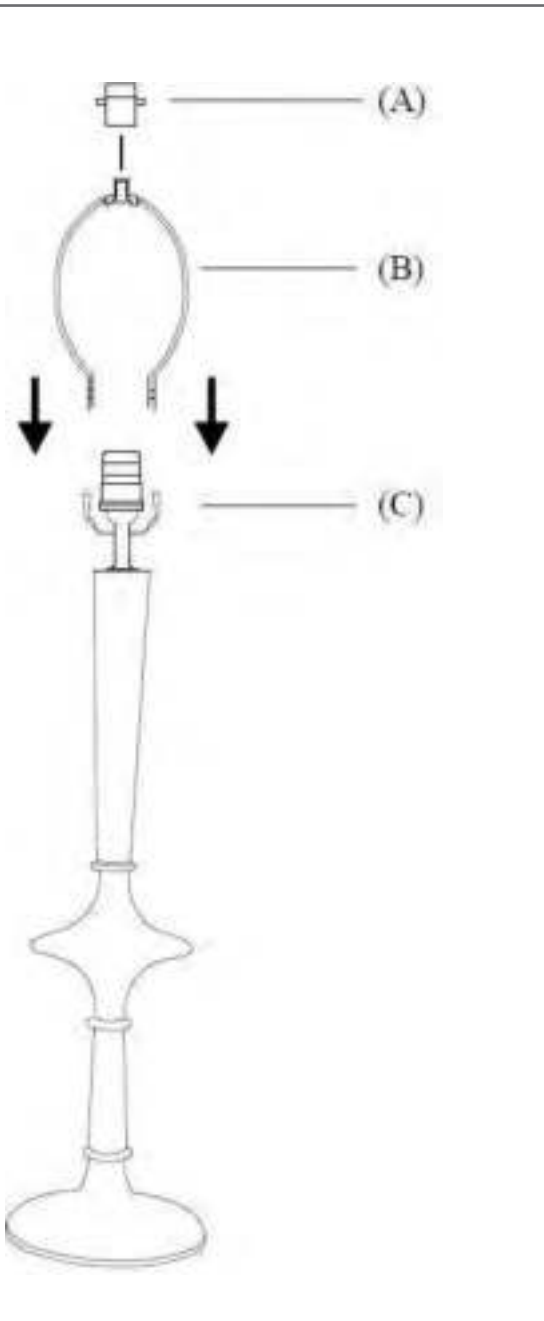
care instructions:

1. Wipe clean with a soft, dry cloth or static duster.
2. Always avoid the use of harsh chemicals or abrasive cleaners as they may cause damage to the lamp finish.



SANTIAGO CAST IRON LAMP BASE**Parts enclosed:**

- A. Finial- 1pc.
- B. Harp- 1pc.

**Important safety instructions:**

1. We recommend installation by a licensed electrician.
2. To avoid the risk of fire, do not exceed the recommended wattage for this fixture.

UL NO: E492403, UL Rating: Dry, Bulb Wattage: 60 W
conversion to max 35 W SBCFL OR 28 W SBLED
BULB: 1 X A-19 (NOT INCLUDED)

Warnings:

1. Do not remove the lamp from its packaging by pulling on the power cord, as a bad connection may result.
2. To avoid the risk of fire, electrical shock, or personal injury, turn off lamp and allow it to cool prior to replacing light bulb.
3. Do not touch bulb when fixture is turned on or look directly at lit bulb.
4. Keep flammable materials away from lit bulb.

To assemble:

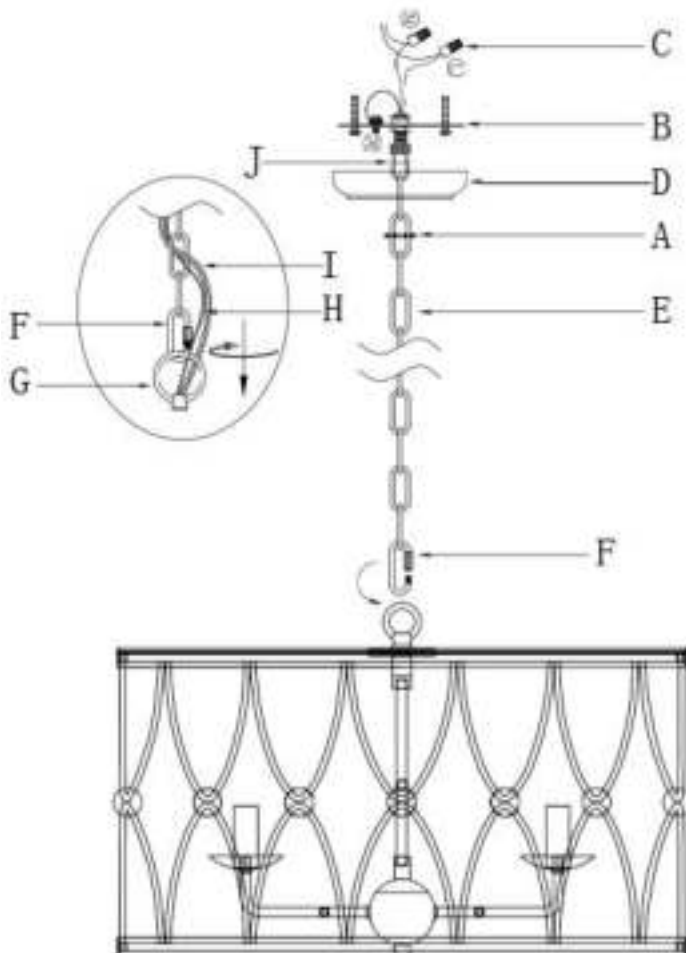
1. Carefully remove all parts from the box and remove all protective coverings.
2. Turn OFF power to the circuit breaker where the lamp will be installed.
3. Attach Harp (B) to the Saddle (C).
4. Unscrew Finial (A) & place Shade on Harp (B) and tighten Finial (A) to harp (B).
5. Restore power to the circuit breaker and test lamp fixture.

Care instructions:

DO NOT use polishes or Cleaners on your lamp. Wipe with soft, lint free cloth.

parts enclosed:

Part	Description	Qty.
A	lock collar	1
B	mounting Bracket	1
C	nipples	3
D	canopy	1
E	chain	1
F	open ring	1
G	loop	1
H	cable	1
I	naked earth cable	1
J	ceiling loop	1



important safety instructions:

1. We recommend installation by a licensed electrician.
2. To avoid the risk of fire, do not exceed the recommended wattage for this fixture.

warnings:

1. Do not remove the lamp from its packaging by pulling on the power cord, as a bad connection may result.
2. To avoid the risk of fire, electrical shock, or personal injury, turn off lamp and allow it to cool prior to replacing light bulb.
3. Do not touch bulb when fixture is turned on or look directly at lit bulb.
4. Keep flammable materials away from lit bulb.

to assemble:

1. Carefully remove all parts from the box.
2. Remove the mounting bracket (B) from the canopy (D) by loosening the lock collar (A).
3. Taking off the open ring (F) and use the dimensions of the fixture as a guide, shorten the chain (E) as needed using a pair of chain pliers.
4. Use the open ring (F) to link the chain (E) and the loop (G), then put the cable (H) and the naked earth cable (I) through the chain (E) in every 3-4 rings until through the ceiling loop (J).
5. INSURE THE ELECTRICITY SUPPLY IS TURNED OFF.
6. Affix the mounting bracket (B) on the outlet box.
7. Wrap both safety cable with nipples (C), push the cable into the outlet box.
8. Attach the canopy (D) to the mounting bracket (B) and secure with lock collar (A).
9. Install the bulbs on the sockets.
10. Installation is complete, turn on power at fuse or circuit breaker.


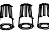





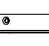
care instructions:

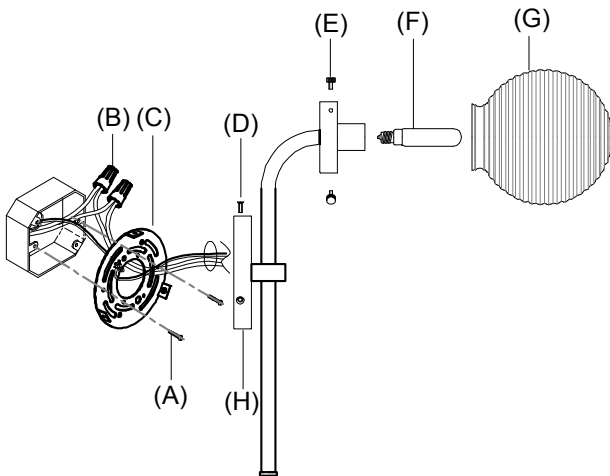
Clean with a dry, soft cloth only. Use no harsh abrasives or chemical agents.

PARTS INVENTORY

Super Category	Product ID	Description	Stat	Collection	Route
LIGHTING	912036H71CH	SARDINIA CHAND 12 FT CHAIN 12 FT RUST CHAIN	A	PT-SARDINI	PART
LIGHTING	912036H71CH6	SARDINIA CHAND 6 FT CHAIN 6 FT RUST CHAIN	A	PT-SARDINI	PART
LIGHTING	912036H72CN	SARDINIA CHAND RECT CANOPY RECT CANOPY W/ HARDWARE	A	PT-SARDINI	PART
LIGHTING	912036H71CN	SARDINIA CHAND ROUND CANOPY ROUND CANOPY W/ HARDWARE	A	PT-SARDINI	PART

parts enclosed:

ITEM	DIAGRAM	DESCRIPTION	QTY
(A)		Mounting Screw	2
(B)		Wire Connectors	3
(C)		Mounting Plate & green ground screw	1
(D)		Backplate Screw	3
(E)		Screw	3
(F)		Bulb (Not included)	1
(G)		Glass Shade	1
(H)		Backplate	1



care instructions:

Wipe all surfaces with a soft, dry cloth. Do not use any harsh cleaners (including ammonia-based products) or abrasives on the fixture as they will damage the surface.

important safety instructions:

CONSULT A QUALIFIED ELECTRICIAN TO ENSURE CORRECT BRANCH CIRCUIT CONDUCTOR.

1. We recommend installation by a licensed electrician.
2. To avoid the risk of fire, do not exceed the recommended wattage of one 1.5 watt Type T6 LED lightbulb (25-watt incandescent bulb equivalent) for this fixture.










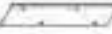


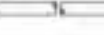






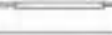


warnings:

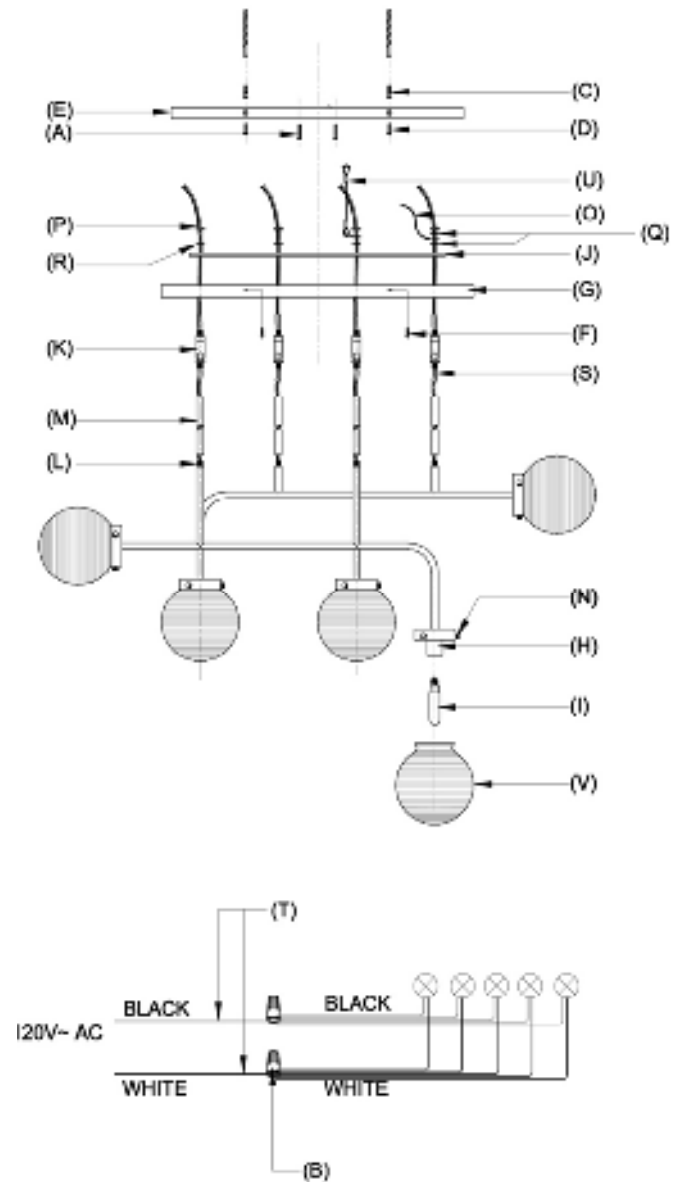
1. All wires are connected. Do not remove the fixture from packaging by pulling on the wires as a bad connection may result.
2. To avoid the risk of fire, electrical shock, or personal injury, always turn off fixture and allow it to cool prior to replacing the lightbulb.
3. Do not touch bulb when fixture is turned on or look directly at lit bulb.
4. Keep flammable materials away from lit bulb.

to assemble:

1. Carefully remove all parts from the box and remove all protective coverings. Take care not to lose any small parts.
2. Turn OFF power at the outlet box where the fixture will be installed.
3. Attach the Mounting Plate (C) to outlet box using the Mounting Screws (A), tighten with a screwdriver. Ensure the side of the Mounting Plate (C) marked "GND" is facing out.
4. While holding the fixture, connect the black wire from fixture to the hot wire (usually black or smooth) from the outlet box using a wire connector (B). Connect the white wire from fixture to the neutral wire (usually white or ribbed) from the outlet box using a wire connector (B). DO NOT REVERSE THE HOT AND NEUTRAL WIRE CONNECTIONS; OTHERWISE, SAFETY WILL BE COMPROMISED.
5. If the outlet box has a ground wire (green or bare copper), connect the green ground wire from the fixture to it using a wire connector (B). If the outlet box does not have a ground wire, connect the green ground wire from the fixture to the green ground screw provided on the Mounting Plate (C).
6. Tuck these wire connections neatly into the outlet box, place the Backplate (H) over the Mounting plate (C) and align the three holes of the Backplate (H) with the corresponding holes on the Mounting plate (C), secure the Backplate (H) with Backplate Screws (D) until the fixture is secured to the wall.
7. Install the proper light bulb (not included) in accordance with the fixture's specifications (DO NOT EXCEED THE SPECIFIED WATTAGE RATING).
8. Place the Glass Shade (G) onto Socket and secure with Screws (E).
9. Installation is completed. Turn on the power at the circuit breaker or fuse box. Turn the light switch to activate the fixture.

parts enclosed:

ITEM	DIAGRAM	DESCRIPTION	QTY
(A)		Screw 8#32UNC	2
(B)		Wire connectors	5
(C)		Anchors	2
(D)		Tapping screw	2
(E)		Mounting plate & green ground screw	1
(F)		Screw, #8-32	4
(G)		Canopy	1
(H)		Socket	5
(I)		Bulb (Not included)	5
(J)		Reinforce Metal Plate	1
(K)		Connector	4
(L)		Nipple	52
(M)		Pipe	48
(N)		Finial	15
(O)		Ground wire	1
(P)		Hex Nut	4
(Q)		Internal Star Washer	2
(R)		Spring washer	3
(S)		Fiberglass sleeve	4
(T)		Black & white wire	1
(U)		Safety cable	1
(V)		Glass	5



important safety instructions:**CONSULT A QUALIFIED ELECTRICIAN TO ENSURE CORRECT BRANCH CIRCUIT CONDUCTOR.**

1. We recommend installation by a licensed electrician.
2. This fixture has been rated for 5 x 1.5 watt type T6 LED lightbulb (25-watt incandescent bulb equivalent). To avoid the risk of fire, do not exceed the recommended wattage.

warnings:

All wire are connected. When unpacking, be carefully not to remove the fixture from packaging by pulling on the power cord as a bad connection may result. Do not connect electricity until the fixture is fully assembled.

To reduce the risk of fire, electrical shock, or personal injury, always turn off fixture and allow it to cool prior to replacing the light bulb.

Do not touch bulb when fixture is turned on or look directly at lit bulb. Keep flammable materials away from lit bulb.

to assemble and install:


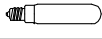



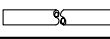

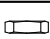

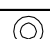


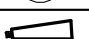
1. Shut off power at the outlet box where the fixture will be installed.
2. Carefully remove all parts from the box and remove all plastic coverings. Take care not to lose any small parts.
3. Insert the Bulbs (not included) into the socket (H). Place the Glass (V) onto the socket cup and secure the glass (V) by screwing the Finials (N) in a clockwise direction.
4. Determine the desired hanging height, feed the fixture wires through the Nipples (L) and the Pipes (M), thread the Pipes (M) onto the fixture body.
5. Disassemble the Hex Nuts (P), the Spring Washers (R), the Internal Star Washers (Q) from the Connectors (K). Insert the Fiberglass Sleeve (S) into the Connectors (K). Feed the fixtures wires through the Fiberglass Sleeves (S), the Canopy (G) and the reinforce Metal Plate (J), let the nipples that are pre-assembled on connectors (K) exit from the holes of the reinforce Metal Plate (J).

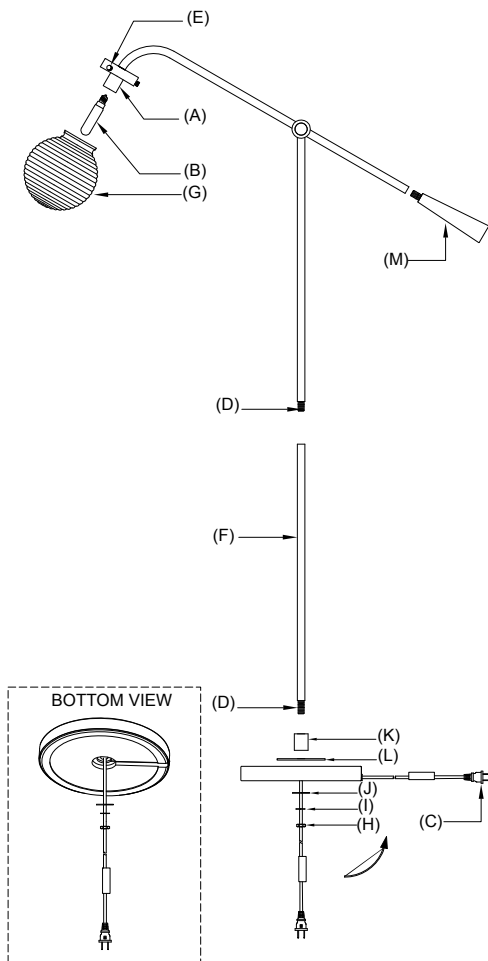
6. Place the Spring Washers (R) and Hex Nuts (P) over three nipples in sequence; place one Internal Star Washer (Q), the Ground Wire (O), another Internal Star Washer (Q) and Hex Nut (P) over the 4th nipple in sequence. Tighten all the 4pcs Hex Nuts (P). **MAKE SURE TO KEEP THE FIBERGLASS SLEEVES INSIDE THE CONNECTORS (K).**
7. Drill holes into the ceiling for inserting the Anchors (C). Insert an anchor into each hole in the ceiling.
8. Attach the Mounting Plate (E) to the outlet box with the provided Screws (A). Insert the Tapping Screw (D) through the holes on the Mounting Plate (E) into the Anchors (C), tighten the Tapping Screws (D) using screwdriver.
9. Joint the fixture Safety Cable (U) with safety cable from ceiling.
10. Connect all the black wires exiting from fixture to the black wire (T) from the part bag using the wire connector (B) and wrap the connection with electrical tape. Connect all the white wires exiting from fixture to the white wire (T) from the part bag using the wire connector (B) and wrap the connection with electrical tape.
11. Connect the black wire (T) to the hot wire (usually black or smooth) from the outlet box using the wire connector (B). Connector the white wire (T) to the neutral wire (usually white or ribbed) from the outlet box using the wire connector (B). **DO NOT REVERSE THE HOT AND NRUTRAL WIRE CONNECTIONS; OTHERWISE, SAFETY WILL BE COMPROMISED.**
12. If the outlet box has a ground wire (green or bare copper), connect the green ground wire (O) from the fixture to it using the wire connector (B). If the outlet box does not have a ground wire, connect the green ground wire (O) from the fixture to the green ground screw provided on the Mounting Plate (E).
13. Tuck these wire connections neatly into the outlet box, place the Canopy (G) over the Mounting Plate (E) and secure the canopy with the Screws (F).
14. Installation is completed. Turn on the power at the circuit breaker or fuse box. Turn the light switch on to activate the fixture.

care instructions:

Wipe all surfaces with a soft, dry cloth. Do not use any harsh cleaners (including ammonia-based products) or abrasives on our lamp, as they will damage the finish.

parts enclosed:

ITEM	DIAGRAM	DESCRIPTION	QTY
(A)		Socket	1
(B)		Bulb (Not included)	1
(C)		Plug	1
(D)		Nipple	2
(E)		Screw	3
(F)		Pipe	1
(G)		Glass	1
(H)		Hex Nut	1
(I)		Spring Washer	1
(J)		Steel Washer	1
(K)		Cylinder Nut	1
(L)		Flat Plate	1
(M)		Arm Weight	1



important safety instructions:

1. This portable luminaire has a polarized plug (one blade is wider than the other) as a feature to reduce the risk of electric shock. This plug will fit in a polarized outlet only one way. If the plug does not fit fully in the outlet, reverse the plug. If it still does not fit, contact a qualified electrician. Never use with an extension cord unless plug can be fully inserted. Do not alter the plug.
2. To avoid the risk of fire, do not exceed the recommended wattage for this fixture.

warnings:

1. Do not remove the lamp from its packaging by pulling on the power cord, as a bad connection may result.
2. To avoid the risk of fire, electrical shock, or personal injury, turn off lamp and allow it to cool prior to replacing light bulb.
3. Do not touch bulb when fixture is turned on or look directly at lit bulb.
4. Keep flammable materials away from lit bulb.


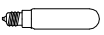



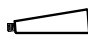
to assemble:

1. Carefully remove all parts from the box and remove all plastic coverings.
2. Assemble the Tube (F) onto the lamp body by screwing onto the Nipple (D).
3. Align the Tube (F) with the hole of Cylinder Nut (K) and Flat Plate (L). Assemble them onto the lamp base by screwing the Nipple (D).
4. Carefully lay the floor lamp flat, and pull out the cord. Secure the Steel Washer (J) and Spring Washer (I) by tightening the Hex Nut (H). ATTENTION: BEFORE TIGHTENING THE HEX NUT, MAKE SURE THE CORD EXIT IS ORIENTED TOWARDS THE BACK OF THE LAMP WHEN LAMP IS ASSEMBLED.
5. Screw the Arm Weight (M) onto the lamp body until tight.
6. Insert the Bulb (B, not included) into the Socket (A).
7. Place the glass globe (G) onto the socket cup and secure the glass globe (G) by tightening the Screws (E) in a clockwise direction.
8. Assembly is complete.
9. Adjust the pole to desired position.
10. Insert the Plug (C) into proper electrical outlet and test fixture.

care instructions:

Wipe all surfaces with a soft, dry cloth. Do not use any harsh cleaners (including ammonia-based products) or abrasives on our lamp, as they will damage the finish.

parts enclosed:

ITEM	DIAGRAM	DESCRIPTION	QTY
(A)		Socket	1
(B)		Bulb (Not included)	1
(C)		Plug	1
(D)		Screw	3
(E)		Glass	1
(F)		Arm Weight	1

important safety instructions:

1. This portable luminaire has a polarized plug (one blade is wider than the other) as a feature to reduce the risk of electric shock. This plug will fit in a polarized outlet only one way. If the plug does not fit fully in the outlet, reverse the plug. If it still does not fit, contact a qualified electrician. Never use with an extension cord unless plug can be fully inserted. Do not alter the plug.
2. To avoid the risk of fire, do not exceed the recommended wattage for this fixture.

warnings:

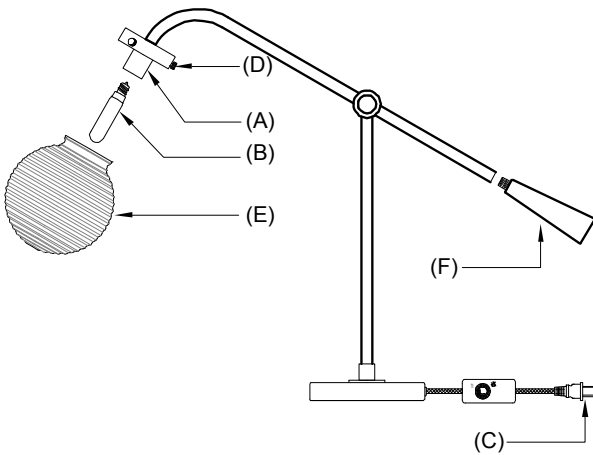
1. Do not remove the lamp from its packaging by pulling on the power cord, as a bad connection may result.
2. To avoid the risk of fire, electrical shock, or personal injury, turn off lamp and allow it to cool prior to replacing light bulb.
3. Do not touch bulb when fixture is turned on or look directly at lit bulb.
4. Keep flammable materials away from lit bulb.

to assemble:






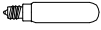


1. Carefully remove all parts from the box and remove all plastic coverings.
2. Screw the Arm Weight (F) onto the lamp body until tight.
3. Insert the Bulb (B, not included) into the Socket (A).
4. Place the glass globe (E) onto the socket cup and secure the glass globe (E) by tightening the Screws (D) in a clockwise direction.
5. Assembly is complete.
6. Adjust the pole to desired position.
7. Insert the Plug (C) into proper electrical outlet and test the lamp.

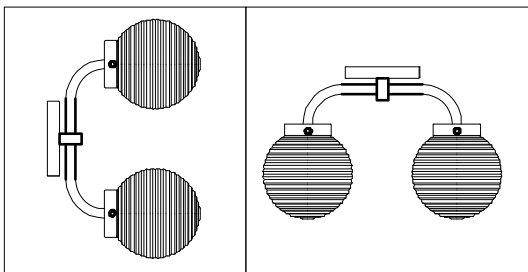
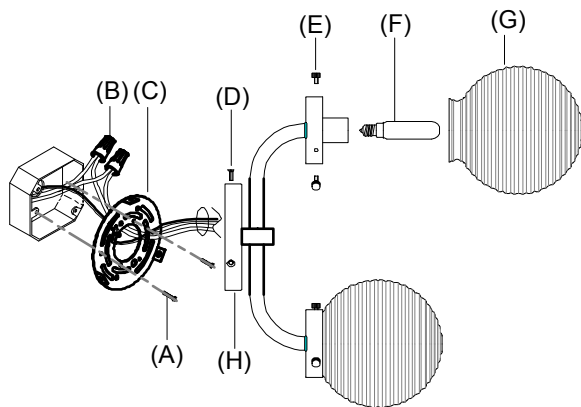
care instructions:

Wipe all surfaces with a soft, dry cloth. Do not use any harsh cleaners (including ammonia-based products) or abrasives on our lamp, as they will damage the finish.



parts enclosed:

ITEM	DIAGRAM	DESCRIPTION	QTY
(A)		Mounting Screw	2
(B)		Wire Connectors	3
(C)		Mounting Plate & green ground screw	1
(D)		Backplate Screw	3
(E)		Screw	6
(F)		Bulb (Not included)	2
(G)		Glass Shade	2
(H)		Backplate	1



care instructions:

Wipe all surfaces with a soft, dry cloth. Do not use any harsh cleaners (including ammonia-based products) or abrasives on the fixture as they will damage the surface.

important safety instructions:

CONSULT A QUALIFIED ELECTRICIAN TO ENSURE CORRECT BRANCH CIRCUIT CONDUCTOR.

1. We recommend installation by a licensed electrician.
2. To avoid the risk of fire, do not exceed the recommended wattage of two 1.5 watt Type T6 LED lightbulb (25-watt incandescent bulb equivalent) for this fixture.
3. This fixture can be installed either vertically or horizontally.








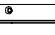
warnings:

1. All wires are connected. Do not remove the fixture from packaging by pulling on the wires as a bad connection may result.
2. To avoid the risk of fire, electrical shock, or personal injury, always turn off fixture and allow it to cool prior to replacing the lightbulb.
3. Do not touch bulb when fixture is turned on or look directly at lit bulb.
4. Keep flammable materials away from lit bulb.

to assemble:

1. Carefully remove all parts from the box and remove all protective coverings. Take care not to lose any small parts.
2. Turn OFF power at the outlet box where the fixture will be installed.
3. Attach the Mounting Plate (C) to outlet box using the Mounting Screws (A), tighten with a screwdriver. Ensure the side of the Mounting Plate (C) marked "GND" is facing out.
4. While holding the fixture, connect the black wire from fixture to the hot wire (usually black or smooth) from the outlet box using a wire connector (B). Connect the white wire from fixture to the neutral wire (usually white or ribbed) from the outlet box using a wire connector (B). DO NOT REVERSE THE HOT AND NEUTRAL WIRE CONNECTIONS; OTHERWISE, SAFETY WILL BE COMPROMISED.
5. If the outlet box has a ground wire (green or bare copper), connect the green ground wire from the fixture to it using a wire connector (B). If the outlet box does not have a ground wire, connect the green ground wire from the fixture to the green ground screw provided on the Mounting Plate (C).
6. Tuck these wire connections neatly into the outlet box, place the Backplate (H) over the Mounting plate (C) and align the three holes of the Backplate (H) with the corresponding holes on the Mounting plate (C), secure the Backplate (H) with Backplate Screws (D) until the fixture is secured to the wall.
7. Install the proper light bulb (not included) in accordance with the fixture's specifications (DO NOT EXCEED THE SPECIFIED WATTAGE RATING).
8. Place the Glass Shade (G) onto Socket and secure with Screws (E).
9. Installation is completed. Turn on the power at the circuit breaker or fuse box. Turn the light switch to activate the fixture.

parts enclosed:

ITEM	DIAGRAM	DESCRIPTION	QTY
(A)		Mounting Screw	2
(B)		Wire Connectors	3
(C)		Mounting Plate & green ground screw	1
(D)		Canopy Screw	3
(E)		Screw	9
(F)		Bulb (Not included)	3
(G)		Glass Shade	3
(H)		Canopy	1

important safety instructions:

CONSULT A QUALIFIED ELECTRICIAN TO ENSURE CORRECT BRANCH CIRCUIT CONDUCTOR.

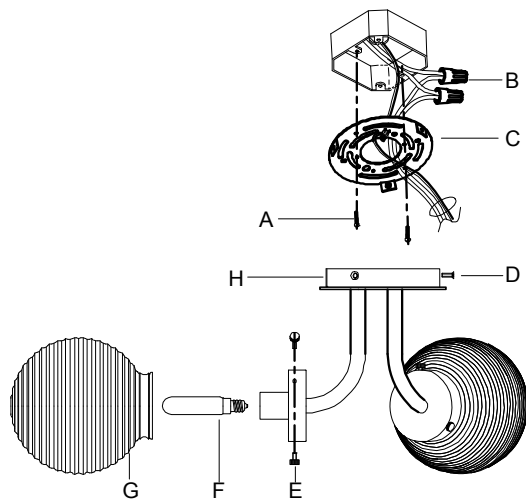
1. We recommend installation by a licensed electrician.
2. To avoid the risk of fire, do not exceed the recommended wattage of three 1.5 watt Type T6 LED lightbulb (25-watt incandescent bulb equivalent) for this fixture.

warnings:

1. All wires are connected. Do not remove the fixture from packaging by pulling on the wires as a bad connection may result.
2. To avoid the risk of fire, electrical shock, or personal injury, always turn off fixture and allow it to cool prior to replacing the lightbulb.
3. Do not touch bulb when fixture is turned on or look directly at lit bulb.
4. Keep flammable materials away from lit bulb.

to assemble:

1. Carefully remove all parts from the box and remove all protective coverings. Take care not to lose any small parts.
2. Turn OFF power at the outlet box where the fixture will be installed.
3. Attach the Mounting Plate (C) to outlet box using the Mounting Screws (A), tighten with a screwdriver. Ensure the side of the Mounting Plate (C) marked "GND" is facing out.
4. While holding the fixture, connect the black wire from fixture to the hot wire (usually black or smooth) from the outlet box using a wire connector (B). Connect the white wire from fixture to the neutral wire (usually white or ribbed) from the outlet box using a wire connector (B). **DO NOT REVERSE THE HOT AND NEUTRAL WIRE CONNECTIONS; OTHERWISE, SAFETY WILL BE COMPROMISED.**
5. If the outlet box has a ground wire (green or bare copper), connect the green ground wire from the fixture to it using a wire connector (B). If the outlet box does not have a ground wire, connect the green ground wire from the fixture to the green ground screw provided on the Mounting Plate (C).
6. Tuck these wire connections neatly into the outlet box, place the Canopy (H) over the Mounting plate (C) and align the three holes of the Canopy (H) with the corresponding holes on the Mounting plate (C), secure the Canopy (H) with Canopy Screws (D) until the fixture is secured to the ceiling.
7. Install the proper light bulb (not included) in accordance with the fixture's specifications (DO NOT EXCEED THE SPECIFIED WATTAGE RATING).
8. Place the Glass Shade (G) onto Socket and secure with Screws (E).
9. Installation is completed. Turn on the power at the circuit breaker or fuse box. Turn the light switch to activate the fixture.



care instructions:

Wipe all surfaces with a soft, dry cloth. Do not use any harsh cleaners (including ammonia-based products) or abrasives on the fixture as they will damage the surface.

LARGE SCROLL BALL 8 LTS CHANDELIER-SILVER/CLAY #66636H120

ARHAUS®

your home

parts enclosed:

- (D) wire nuts (3)
- (E) cross bar set (1)
- (F) cross bar screws (2)
- (I) canopy (1)

important safety instructions:

1. We recommend installation by a licensed electrician.
2. To avoid the risk of fire, do not exceed the recommended wattage for this fixture.

wattage: 8 x 40W
type of socket: E12

warnings:

1. Do not remove the lamp from its packaging by pulling on the power cord, as a bad connection may result.
2. To avoid the risk of fire, electrical shock, or personal injury, turn off lamp and allow it to cool prior to replacing light bulb.
3. Do not touch bulb when fixture is turned on or look directly at lit bulb.
4. Keep flammable materials away from lit bulb.

to assemble:

- Attach cross bar (E) to the ceiling junction box using the cross bar screws (F).
- Unscrew the collar ring (J).
- Insert the collar loop (H) into the canopy (I).
- Screw the collar ring (J) back.
- Attach the chandelier chain (L) to the collar loop (H) with the quick link (K).

See back of the page for wiring connection details.

replacement parts assembly:

- To replace the glass spheres with beads (N) (O), insert wire clip into the hole on the iron frame, twist the wire to close the loop and secure it in place.

care instructions:

Clean with dry soft cloth/brush only.
Do not use water/alcohol or any detergent.



INSTALLATION INSTRUCTIONS

INCANDESCENT SURFACE MOUNTED LUMINAIRES:

CAUTION

- A PERSON FAMILIAR WITH THE CONSTRUCTION AND OPERATION OF THE PRODUCT MUST INSTALL THIS PRODUCT IN ACCORDANCE WITH THE APPLICABLE INSTALLATION CODE AND THE HAZARDS INVOLVED.

WARNING

- The electricity MUST be turned off at the MAIN FUSE BOX before installation of this luminaire; turning the power off using the light switch is not sufficient to prevent electrical shock.
- Luminaires weighing 50 lbs (25 lbs for surface wall) or more must be mounted directly to the building structure, independently of the electrical box; this installation should not be made on a radiant heat type ceiling.

- If a chain-and-canopy luminaire is provided of an individual grounding conductor (bare or insulated), this shall be interwoven through the chain from the luminaire to the canopy.
- If chain-and-canopy luminaire is provided of a SPT-1 power supply cord type, this shall interwoven through the chain from the luminaire to the canopy.
- The luminaires are not intended to support external weight other than provided glasses.

- WIRE CONNECTION CHART:

Connect Black or Red (Hot) House Wire to:	Connect White (Neutral) House Wire to:
Black (Hot)	White (Neutral)
Parallel cord (round and smooth)	Parallel cord (square or ridged)
Clear, Brown, Gold or Black without tracer	Clear, Brown, Gold or Black with tracer
Insulated wire (other than green) with copper conductor	Insulated wire (other than green) with silver conductor

- ELECTRICAL CONNECTION:

- 1 Attach grounding wire (green insulated or bare copper) from the supply circuit to the mounting bracket with the green ground attachment screw provided. Connect the grounding wire of the luminaire to the grounding conductor of the supply circuit. Attach all grounding conductors to the mounting bracket with the green ground wire attachment screw.
- 2 Referring to the Wire Connection Chart, connect the black and white wires.

CAUTION

No loose strands or loose connections should be present. Secure with U.L. certified wire connectors and electrical tape.

- FINAL INSTRUCTION:

- 1 Install light bulbs, refer to the relamping label located near the lampholder for recommended wattage, DO NOT EXCEED THE RECOMMENDED WATTAGE.
- 2 Restore electricity and check the operation of the luminaire.

In case of change of the article, not previously authorized, the UL Certification will be terminated immediately.



NOTICE DE MONTAGE PLAFONNIERES INCANDESCENTS

ATTENTION

- Le montage doit être effectué par personnes compétentes selon le code d'installation en vigueur et les usages impliqués.
- La sûreté de l'installation est assurée au correct usage des instructions suivantes.

AVERTISSEMENT

- Avant d'effectuer chaque opération, couper le courant à la boîte du fusible principale. La mise hors tension grâce à l'interrupteur n'est pas suffisante pour prévenir les chocs électriques.
- Luminaires qui sont lourds 50 Lbs. Ou plus (25 Lbs. Pour appareil mur) doivent être montés directement à la structure du bâtiment, de façon indépendante de la boîte électrique, cette installation ne doit pas être fait sur un plafond avec systèmes de chauffages radiants.
- Dans le cas du luminaire avec chaîne et pavillon, il faut passé les câbles à travers les maillons de la chaîne, soit s'il est équipé avec un câble conducteur de mise à la terre individuelle (nu ou isolé), soit s'il est équipé avec un câble d'alimentation SPT-1.
- Les appareils ne devraient pas porte plus de poids que celle prévue pour les verres décoratif.

• TABLE CONNEXION CABLES

Connecter le fil de la maison NOIR ou ROUGE (phase) avec:	Connecter le fil de la maison BLANC (neutre) avec:
Noir (Phase)	Blanc (neutre)
Fil parallèle (ronde et lisse)	Fil parallèle (carré ou striée)
Clair, Marron, Or ou Noir SANS traceur	Clair, Marron, or ou Noir AVEC traceur
Fil isolé (autre que Vert) avec conducteur Cuivre	Fil isolé (autre que Vert) avec conducteur Argent

• CONNEXIONS ÉLECTRIQUES

1. Fixez le fil de terre (vert isolé ou cuivre nu) du circuit d'alimentation au support de montage par la vis vert de fixation de terre fourni.
2. Connectez le fil de mise à la terre du luminaire au conducteur de mise à la terre du circuit d'alimentation. Fixez tous les conducteurs de terre au support de montage avec la vis vert de fixation.
3. Connectez les fils noir et blanc en référant à la table connexion câbles.

ATTENTION

Fil libre ou des connexions desserrées ne doivent pas être présents. Fixer avec des connecteurs de fils certifié UL et du ruban électrique.

• INSTALLATION FINALE

1. Installer des amposes de puissance recommandée, reportez-vous à l'étiquette de remplacement de la lampe situé en proximité de la douille.
2. Ne pas dépasser la puissance recommandée.

AVERTISSEMENT

Instructions supplémentaires

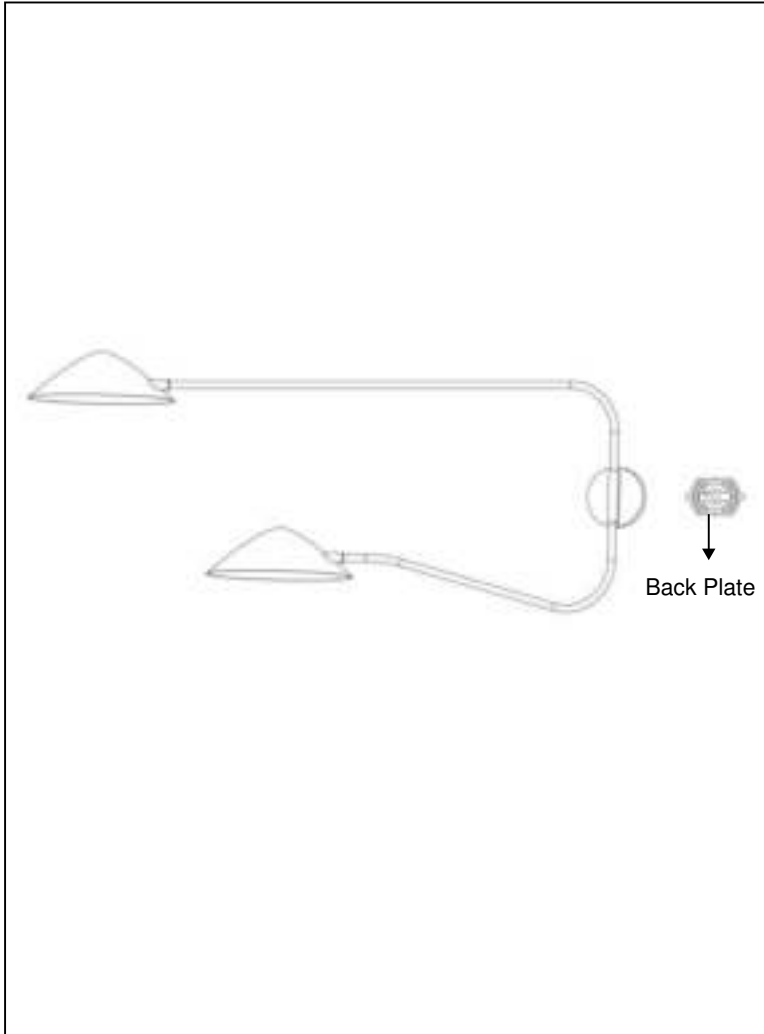
Pour la fixation, utiliser les vis fournies et vérifier que le pavillon couvre complètement la boîte de sortie.

En cas de changement d'article, pas autorisé précédemment, la certification UL se terminera immédiatement.



LIGHTING PARTS SKUS

CATEGORY	SKU	DESCRIPTION	STATUS	COLLECTION	ROUTE
LIGHTING	91636H244CH	LG SCROLL CHAND 12 FT CHAIN 5 MM X 3.7 MT RUST CHAIN	A	PT-SCROLL	PART
LIGHTING	91636H244CH6	LG SCROLL CHAND 6 FT CHAIN 5 MM X 1.8 MT RUST FINSH CH	A	PT-SCROLL	PART
LIGHTING	91636H244CN	LG SCROLL CHAND CANOPY RUST FINISH CANOPY W/ HARDWARE	A	PT-SCROLL	PART
LIGHTING	91636H244CRL	LG SCROLL CHAND LG CRYSTAL 40 MM CRYSTAL W/ 3 BEADS	A	PT-SCROLL	PART
LIGHTING	91636H244CRM	LG SCROLL CHAND MD CRYSTAL 30 MM CRYSTAL W/ 2 BEADS	A	PT-SCROLL	PART
LIGHTING	91636H120CH	LG SCROLL SLVR CHAND 12 FT CH 5 MMX3.7 MT SILV CLAY FINSH CH	A	PT-SCROLL	PART
LIGHTING	91636H120CH6	LG SCROLL SLVR CHAND 6 FT CH 5 MMX1.8 MT SILV CLAY FINSH CH	A	PT-SCROLL	PART
LIGHTING	91636H120CN	LG SCROLL SLVR CHAND CANOPY SILVER CLAY FINISH CANOPY	A	PT-SCROLL	PART
LIGHTING	91636H120CRL	LG SCROLL SLVR CHAND LG CRYSTL 40 MM CRYSTAL W/ 3 BEADS	A	PT-SCROLL	PART
LIGHTING	91636H120CRM	LG SCROLL SLVR CHAND MD CRYSTL 30 MM CRYSTAL W/ 2 BEADS	A	PT-SCROLL	PART

663507H648 SIMMS LONG-ARM DOUBLE SCONCE**parts enclosed:****important safety instructions:**

1. We recommend installation by a licensed electrician.
2. To avoid the risk of fire, do not exceed the recommended wattage for this fixture.

UL NO:E491659, UL RATING: DAMP, MAX BULB WATTAGE: 2X40W
CONVERSION TO MAX LED WATTAGE: 6W
BULB: 2 X B-10 (NOT INCLUDED)

warnings:

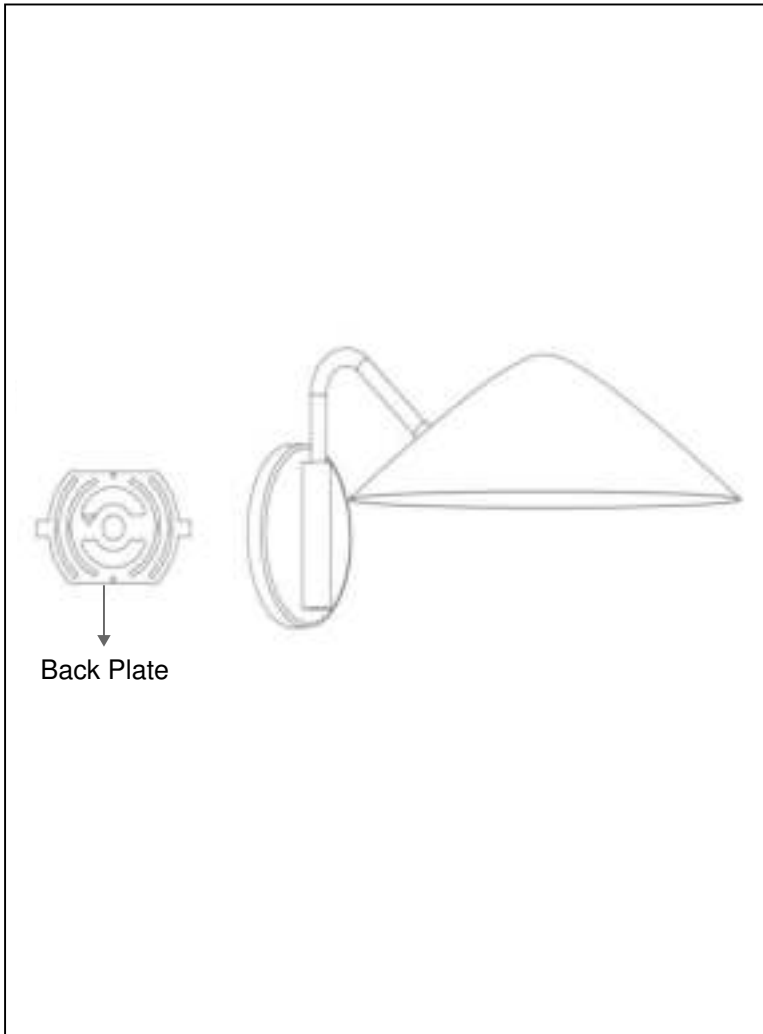
1. Do not remove the lamp from its packaging by pulling on the power cord, as a bad connection may result.
2. To avoid the risk of fire, electrical shock, or personal injury, turn off lamp and allow it to cool prior to replacing light bulb.
3. Do not touch bulb when fixture is turned on or look directly at lit bulb.
4. Keep flammable materials away from lit bulb.

to assemble:

1. Carefully remove all parts from the box and remove all protective coverings.
2. Turn OFF power to the circuit breaker where the wall sconce be installed.
3. Remove back plate from base & fix it onto wall with screws.
4. After fixing back plate onto outlet, fix the wall sconce through base.
5. Insert bulb B-10. Do Not exceed specified wattage.
6. Restore power to the circuit breaker and test wall sconce.

care instructions:

DO NOT use polishes or Cleaners on your lamp. Wipe with soft, lint free cloth.

663507H647 SIMMS WALL SCONCE**parts enclosed:****important safety instructions:**

1. We recommend installation by a licensed electrician.
2. To avoid the risk of fire, do not exceed the recommended wattage for this fixture.

UL NO:E491659, UL RATING: DAMP, MAX BULB WATTAGE: 40W
CONVERSION TO MAX LED WATTAGE: 6W
BULB: B-10 (NOT INCLUDED)

warnings:

1. Do not remove the lamp from its packaging by pulling on the power cord, as a bad connection may result.
2. To avoid the risk of fire, electrical shock, or personal injury, turn off lamp and allow it to cool prior to replacing light bulb.
3. Do not touch bulb when fixture is turned on or look directly at lit bulb.
4. Keep flammable materials away from lit bulb.


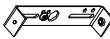




to assemble:

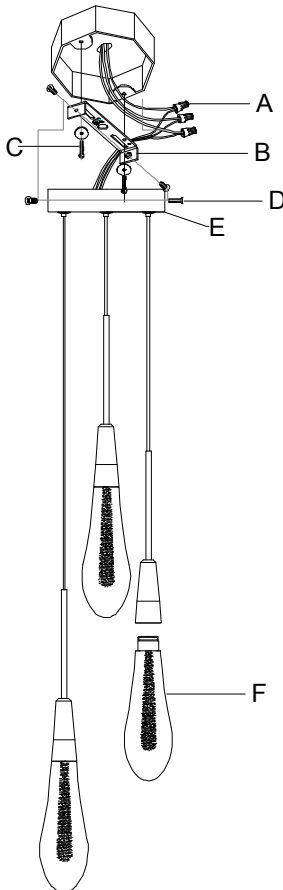
1. Carefully remove all parts from the box and remove all protective coverings.
2. Turn OFF power to the circuit breaker where the wall sconce be installed.
3. Remove back plate from base & fix it onto wall with screws.
4. After fixing back plate onto outlet, fix the wall sconce through base.
5. Insert bulb B-10. Do Not exceed specified wattage.
6. Restore power to the circuit breaker and test wall sconce.

care instructions:

DO NOT use polishes or Cleaners on your lamp. Wipe with soft, lint free cloth.

parts enclosed:

ITEM	DIAGRAM	DESCRIPTION	QTY
(A)		Wire Connectors	3
(B)		Mounting Plate & green ground screw	1
(C)		Mounting Screw	2
(D)		Canopy Screw	2
(E)		Canopy	1
(F)		Glass Shade	1



care instructions:

Wipe all surfaces with a soft, dry cloth. Do not use any harsh cleaners (including ammonia-based products) or abrasives on the fixture as they will damage the surface.

important safety instructions:

CONSULT A QUALIFIED ELECTRICIAN TO ENSURE CORRECT BRANCH CIRCUIT CONDUCTOR.

1. We recommend installation by a licensed electrician.
2. This fixture has been rated for LED light. The LED light is not replaceable.

warnings:

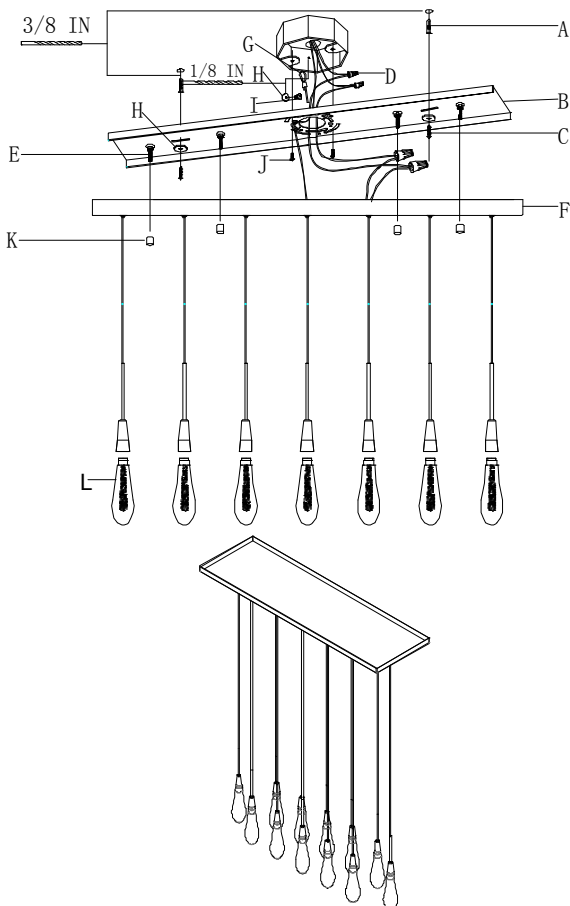
1. All wires are connected. When unpacking, be careful not to remove the fixture from packaging by pulling the power cord, as a bad connection may result. Do not connect electricity until the fixture is fully assembled.
2. To avoid the risk of fire, electrical shock, or personal injury, turn off the fixture and allow it to cool down prior to replacing the glass.
3. Do not touch the glass when fixture is turned on or look directly at lit fixture. Keep flammable materials away from lit fixture.

to assemble:

1. Carefully remove all parts from the box and remove all protective coverings. Take care not to lose any small parts.
2. Turn OFF power at the outlet box where the fixture will be installed.
3. Attach the Mounting Plate (B) to outlet box using the Mounting Screws (C) and tighten them with a screwdriver. Ensure the side of the Mounting Plate (B) marked "GND" is facing out.
4. Determine the desired hanging height, pull the wire gently to desired length, and tighten the wire on the back side of Canopy (E).
5. While holding the fixture, connect the black wire from fixture to the hot wire (usually black or smooth) from the outlet box using a Wire connector (A). Connect the white wire from fixture to the neutral wire (usually white or ribbed) from the outlet box using a Wire connector (A). DO NOT REVERSE THE HOT AND NEUTRAL WIRE CONNECTIONS; OTHERWISE, SAFETY WILL BE COMPROMISED.
6. If the outlet box has a ground wire (green or bare copper), connect the green ground wire from the fixture to it using a Wire connector (A). If the outlet box does not have a ground wire, connect the green ground wire from the fixture to the green ground screw provided on the Mounting Plate (B).
7. Tuck these wire connections neatly into the outlet box, align the two holes on the Canopy (E) with the corresponding holes on the Mounting Plate (B), and secure the Canopy (E) to the ceiling with Canopy Screws (D).
8. Install the Glass Shades (F) into the socket cups.
9. Installation is completed. Turn on the power at the circuit breaker or fuse box. Turn the light switch to activate the fixture.

parts enclosed:

ITEM	DIAGRAM	DESCRIPTION	QTY
(A)		Plastic Anchors	2
(B)		Mounting Plate & green ground	1
(C)		Anchor Screws	2
(D)		Wire Connectors	3
(E)		Canopy Screws & Hex Nuts	4
(F)		Canopy	1
(G)		Support cable and bracket assy	1
(H)		Steel flat washer	3
(I)		Wood Screw	1
(J)		Mounting Screw	2
(K)		Cylinder Nut	4
(L)		Glass Shade	12



important safety instructions:

CONSULT A QUALIFIED ELECTRICIAN TO ENSURE CORRECT BRANCH CIRCUIT CONDUCTOR.

1. We recommend installation by a licensed electrician.
2. This fixture has been rated for LED light. The LED light is not replaceable.

warnings:

1. All wires are connected. When unpacking, be careful not to remove the fixture from packaging by pulling the power cord, as a bad connection may result. Do not connect electricity until the fixture is fully assembled.
2. To avoid the risk of fire, electrical shock, or personal injury, turn off the fixture and allow it to cool down prior to replacing the glass shades.
3. Do not touch the glass when fixture is turned on or look directly at lit fixture. Keep flammable materials away from lit fixture.












to assemble:

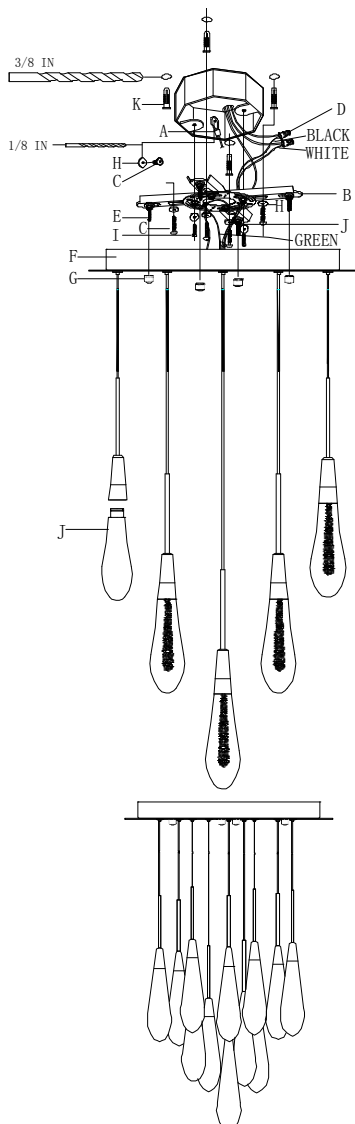
1. Shut off power at the outlet box where the fixture will be installed.
2. Carefully remove all parts from the box and remove all plastic coverings. Take care not to lose any small parts.
3. Determine the desired hanging height and adjust the cable lengths accordingly by wrapping the extra lengths on the interior of the Canopy (F).
4. Using a 3/8 in. drill bit to drill two holes into the ceiling, insert an Plastic Anchor (A) into each hole.
5. Using a 1/8 in. drill bit, drill a pilot hole inside of the Outlet Box.
6. Attach the Mounting Plate (B) to the outlet box with the provided Mounting Screws (J) and tighten with screwdriver. Place the Steel flat washer (H) onto the Anchor Screws (C) and insert the Anchor Screws (C) through the corresponding holes on the Mounting Plate (B) into the Plastic Anchors (A) and tighten the Anchor Screws (C) using a screwdriver.
7. While holding the fixture, install the Safety Cable (G) and Flat Washer (H) by aligning them to the pilot hole, and tighten with Wood Screw (I).
8. Connect the black wire from fixture to the hot wire (usually black or smooth) from the outlet box using a Wire Connector (D). Connect the white wire from fixture to the neutral wire (usually white or ribbed) from the outlet box using a Wire Connector (D). **DO NOT REVERSE THE HOT AND NEUTRAL WIRE CONNECTIONS; OTHERWISE, SAFETY WILL BE COMPROMISED.**
9. If the outlet box has a ground wire (green or bare copper), connect the green ground wire from the fixture to it using a wire connector (D). If the outlet box does not have a ground wire, connect the green ground wire from the fixture to the green ground screw provided on the Mounting Plate (B).
10. Tuck these wire connections neatly into outlet box, protrude the Canopy Screws (E) to the holes on Canopy (F), secure the Canopy (F) in place with Cylinder Nuts (K).
11. Install the Glass Shades (L) into socket cups.
12. Installation is completed. Turn on the power at the circuit breaker or fuse box. Turn the light switch to activate the fixture.

care instructions:

Wipe all surfaces with a soft, dry cloth. Do not use any harsh cleaners (including ammonia-based products) or abrasives on our lamp, as they will damage the finish.

parts enclosed:

ITEM	DIAGRAM	DESCRIPTION	QTY
(A)		Support cable and bracket assy	1
(B)		Mounting Plate & green ground	1
(C)		Wood Screw	5
(D)		Wire Connectors	3
(E)		Canopy Screws & Hex Nuts	4
(F)		Canopy	1
(G)		Nuts	4
(H)		Steel flat washer	5
(I)		Mounting Screw	2
(J)		Glass Shade	12
(K)		Plastic Anchor	4



important safety instructions:

CONSULT A QUALIFIED ELECTRICIAN TO ENSURE CORRECT BRANCH CIRCUIT CONDUCTOR.

1. We recommend installation by a licensed electrician.
2. This fixture has been rated for LED light. The LED light is not replaceable.

warnings:

1. All wires are connected. When unpacking, be careful not to remove the fixture from packaging by pulling the power cord, as a bad connection may result. Do not connect electricity until the fixture is fully assembled.
2. To avoid the risk of fire, electrical shock, or personal injury, turn off the fixture and allow it to cool down prior to replacing the glass shades.
3. Do not touch the glass when fixture is turned on or look directly at lit fixture. Keep flammable materials away from lit fixture.

to assemble:

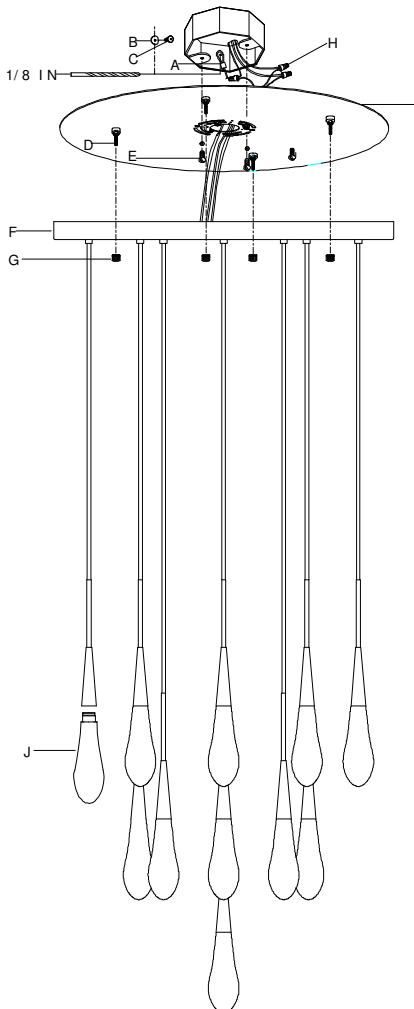
1. Shut off power at the outlet box where the fixture will be installed.
2. Carefully remove all parts from the box and remove all plastic coverings. Take care not to lose any small parts.
3. Determine the desired hanging height and adjust the cable lengths accordingly by wrapping the extra lengths on the interior of the Canopy (F).
4. Using a 3/8 in. drill bit to drill four holes into the ceiling, insert an Plastic Anchor (K) into each hole.
5. Using a 1/8 in. drill bit, drill a pilot hole inside of the Outlet Box.
6. Attach the Mounting Plate (B) to the outlet box with the provided Mounting Screws (I) and tighten with screwdriver. Place the Steel flat washer (H) onto the Wood Screws (C) and insert the Wood Screws (C) through the corresponding holes on the Mounting Plate (B) into the Plastic Anchors (K) and tighten the Wood Screws (C) using a screwdriver.
7. Install the Safety Cable (A) and Flat Washer (H) by aligning them to the pilot hole, and tighten with Wood Screw (C).
8. While holding the fixture, connect the black wire from fixture to the hot wire (usually black or smooth) from the outlet box using a Wire Connector (D). Connect the white wire from fixture to the neutral wire (usually white or ribbed) from the outlet box using a Wire Connector (D). **DO NOT REVERSE THE HOT AND NEUTRAL WIRE CONNECTIONS; OTHERWISE, SAFETY WILL BE COMPROMISED.**
9. If the outlet box has a ground wire (green or bare copper), connect the green ground wire from the fixture to it using a wire connector (D). If the outlet box does not have a ground wire, connect the green ground wire from the fixture to the green ground screw provided on the Mounting Plate (B).
10. Tuck these wire connections neatly into outlet box, protrude the Canopy Screws (E) to the holes on Canopy (F), secure the Canopy (F) in place with Nuts (G).
11. Install the Glass Shades (J) into socket cups.
12. Installation is completed. Turn on the power at the circuit breaker or fuse box. Turn the light switch to activate the fixture.

care instructions:

Wipe all surfaces with a soft, dry cloth. Do not use any harsh cleaners (including ammonia-based products) or abrasives on our lamp, as they will damage the finish.

parts enclosed:

ITEM	DIAGRAM	DESCRIPTION	QTY
(A)		Safety Cable & bracket assembly	1
(B)		Steel Flat Washer	1
(C)		Wood Screw	1
(D)		Canopy Screw with Hex Nut	4
(E)		Mounting Screw	2
(F)		Canopy	1
(G)		Nut	4
(H)		Wire Connector	3
(I)		Mounting Plate & green ground screw	1
(J)		Glass Shade	19



important safety instructions:

CONSULT A QUALIFIED ELECTRICIAN TO ENSURE CORRECT BRANCH CIRCUIT CONDUCTOR.

1. We recommend installation by a licensed electrician.
2. This fixture has been rated for LED light. The LED light is not replaceable.

warnings:

1. All wires are connected. When unpacking, be careful not to remove the fixture from packaging by pulling the power cord, as a bad connection may result. Do not connect electricity until the fixture is fully assembled.
2. To avoid the risk of fire, electrical shock, or personal injury, turn off the fixture and allow it to cool down prior to replacing the glass.
3. Do not touch the glass when fixture is turned on or look directly at lit fixture. Keep flammable materials away from lit fixture.

to assemble:

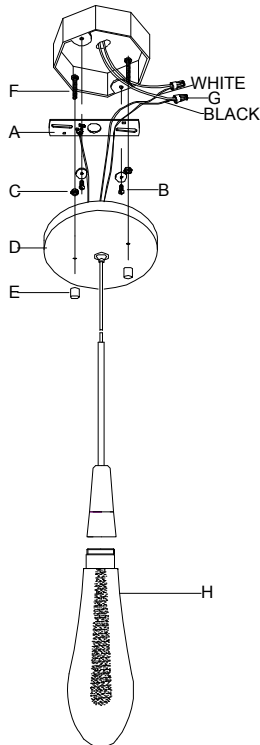
1. Shut off power at the outlet box where the fixture will be installed.
2. Carefully remove all parts from the box and remove all plastic coverings. Take care not to lose any small parts.
3. Determine the desired hanging height and adjust the cable lengths accordingly by wrapping the extra lengths on the interior of the Canopy (F).
4. Using a 1/8 in. drill bit, drill a pilot hole inside of the Outlet Box.
5. Attach the Mounting Plate (I) to the outlet box with the provided Mounting Screws (E) and tighten with screwdriver.
6. Install the Safety Cable (A) and Flat Washer (B) by aligning them to the pilot hole, and tighten with Wood Screw (C).
7. While holding the fixture, connect the black wire from fixture to the hot wire (usually black or smooth) from the outlet box using a Wire Connector (H). Connect the white wire from fixture to the neutral wire (usually white or ribbed) from the outlet box using a Wire Connector (H). **DO NOT REVERSE THE HOT AND NEUTRAL WIRE CONNECTIONS; OTHERWISE, SAFETY WILL BE COMPROMISED.**
8. If the outlet box has a ground wire (green or bare copper), connect the green ground wire from the fixture to it using a wire connector (H). If the outlet box does not have a ground wire, connect the green ground wire from the fixture to the green ground screw provided on the Mounting Plate (I).
9. Tuck these wire connections neatly into outlet box, protrude the Canopy Screws (D) to the corresponding holes on Canopy (F), secure the Canopy (F) in place with Nuts (G).
10. Install the Glass Shades (J) into socket cups.
11. Installation is completed. Turn on the power at the circuit breaker or fuse box. Turn the light switch to activate the fixture.

care instructions:

Wipe all surfaces with a soft, dry cloth. Do not use any harsh cleaners (including ammonia-based products) or abrasives on the fixture as they will damage the surface.

parts enclosed:

ITEM	DIACRAM	DESCRIPTION	QTY
(A)		Mounting Plate & green ground screw	1
(B)		Mounting Screw	2
(C)		Hex Nut	2
(D)		Canopy	1
(E)		Cylinder Nut	2
(F)		Canopy Screw	2
(G)		Wire Connectors	3
(H)		Glass Shade	1



important safety instructions:

CONSULT A QUALIFIED ELECTRICIAN TO ENSURE CORRECT BRANCH CIRCUIT CONDUCTOR.

1. We recommend installation by a licensed electrician.
2. This fixture has been rated for LED light. The LED light is not replaceable.

warnings:

1. All wires are connected. Do not remove the fixture from packaging by pulling on the wires as a bad connection may result.
2. To avoid the risk of fire, electrical shock, or personal injury, always turn off fixture and allow it to cool prior to replacing the lightbulb.
3. Do not touch the LED light when fixture is turned on or look directly at lit LED light.
4. Keep flammable materials away from lit bulb.







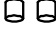
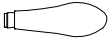
to assemble:

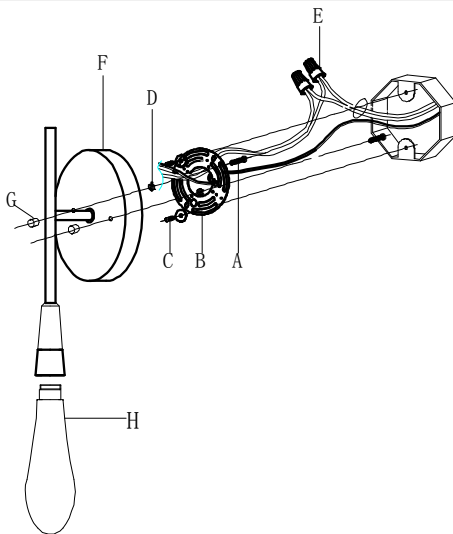
1. Carefully remove all parts from the box and remove all protective coverings. Take care not to lose any small parts.
2. Turn OFF power at the outlet box where the fixture will be installed.
3. Place the Canopy Screws (F) through the holes on the Mounting Plate (A) as shown and tighten each with a Hex Nut (C).
4. Attach the Mounting Plate (A) to outlet box using the Mounting Screws (B) and tighten them with a screwdriver. Ensure the side of the Mounting Plate (A) marked "GND" is facing out.
5. Determine the desired hanging height, pull the wire gently to desired length, and tighten the wire on the back side of Canopy (D).
6. While holding the fixture, connect the black wire from fixture to the hot wire (usually black or smooth) from the outlet box using a Wire connector (G). Connect the white wire from fixture to the neutral wire (usually white or ribbed) from the outlet box using a Wire connector (G). **DO NOT REVERSE THE HOT AND NEUTRAL WIRE CONNECTIONS; OTHERWISE, SAFETY WILL BE COMPROMISED.**
7. If the outlet box has a ground wire (green or bare copper), connect the green ground wire from the fixture to it using a Wire connector (G). If the outlet box does not have a ground wire, connect the green ground wire from the fixture to the green ground screw provided on the Mounting Plate (A).
8. Tuck these wire connections neatly into the outlet box, align the holes on the Canopy (D) with the Canopy Screws (F) and secure the Canopy (D) onto the ceiling with Cylinder Nuts (E).
9. Install the Glass Shade (H) on the socket cup.
10. Installation is completed. Turn on the power at the circuit breaker or fuse box. Turn the light switch to activate the fixture.

care instructions:

Wipe all surfaces with a soft, dry cloth. Do not use any harsh cleaners (including ammonia-based products) or abrasives on the fixture as they will damage the surface.

parts enclosed:

ITEM	DIAGRAM	DESCRIPTION	QTY
(A)		Backplate Screw	2
(B)		Mounting Plate & green ground screw	1
(C)		Mounting Screws	2
(D)		Hex Nut	2
(E)		Wire Connectors	3
(F)		Backplate	1
(G)		Cylinder Nut	2
(H)		Glass Shade	1

**important safety instructions:****CONSULT A QUALIFIED ELECTRICIAN TO ENSURE CORRECT BRANCH CIRCUIT CONDUCTOR.**

1. We recommend installation by a licensed electrician.
2. This fixture has been rated for LED light. The LED light is not replaceable.

warnings:

1. All wires are connected. Do not remove the fixture from packaging by pulling on the wires as a bad connection may result.
2. To avoid the risk of fire, electrical shock, or personal injury, always turn off fixture and allow it to cool prior to replacing the lightbulb.
3. Do not touch the LED light when fixture is turned on or look directly at lit LED light.
4. Keep flammable materials away from lit bulb.

to assemble:

1. Carefully remove all parts from the box and remove all protective coverings. Take care not to lose any small parts.
2. Turn OFF power at the outlet box where the fixture will be installed.
3. Place the Backplate screws (A) through the holes on the Mounting Plate (B) as shown and tighten each with a Hex Nut (D).
4. Attach the Mounting Plate (B) to outlet box using the Mounting Screws (C) and tighten them with a screwdriver. Ensure the side of the Mounting Plate (B) marked "GND" is facing out.
5. While holding the fixture, connect the black wire from fixture to the hot wire (usually black or smooth) from the outlet box using a Wire connector (E). Connect the white wire from fixture to the neutral wire (usually white or ribbed) from the outlet box using a Wire connector (E). DO NOT REVERSE THE HOT AND NEUTRAL WIRE CONNECTIONS; OTHERWISE, SAFETY WILL BE COMPROMISED.
6. If the outlet box has a ground wire (green or bare copper), connect the green ground wire from the fixture to it using a Wire connector (E). If the outlet box does not have a ground wire, connect the green ground wire from the fixture to the green ground screw provided on the Mounting Plate (B).
7. Align the holes on the Backplate (F) with the Backplate Screws (A) and secure the Backplate (F) onto the wall with Cylinder Nuts (G).
8. Install the Glass Shade (H) over the cup.
9. Installation is completed. Turn on the power at the circuit breaker or fuse box. Turn the light switch to activate the fixture.

care instructions:

Wipe all surfaces with a soft, dry cloth. Do not use any harsh cleaners (including ammonia-based products) or abrasives on the fixture as they will damage the surface.

SPOTLIGHT SCONCE 9IN

ARHAUS®

your home

parts enclosed:

Sconce body (1)

Knurled shade cover (2)

GU10 LED Bulb (2)

Washer (2)

Mounting screw (4)

Wiring nut (3)

important safety instructions:

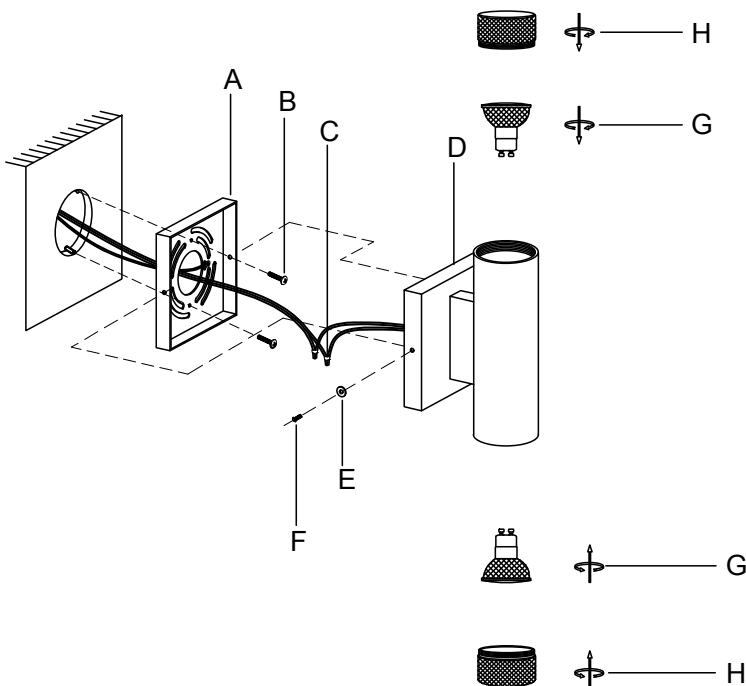
1. Installation by a licensed electrician is strongly recommended.
2. Turn off circuit breakers and power supply to the fixture. Failure to disconnect power supply prior to installation may result in serious injury.

warnings:

All wires are connected. When unpacking, be careful not to pull wires, as a bad connection may result.

to assemble:

1. Connect bare ground wire from fixture to bare ground wire from outlet box using wire connector (C).
2. Attach mounting plate (A) to J-Box using screws (B).
3. Attach sconce body (D) to mounting plate (A) and secure with screw (F) and washer (E).
4. Insert bulb (G) into the socket and twist clockwise to lock in place.
5. Thread knurled shade cover (H) onto sconce body (D).
6. Assembly is complete.



care instructions:

Wipe with a clean, dry cloth. Do not use acid or corrosive liquid to clean the lamp.

parts enclosed:

Sconce body (1)

Knurled shade cover (2)

GU10 LED Bulb (2)

Washer (2)

Mounting screw (4)

Wiring nut (3)

important safety instructions:

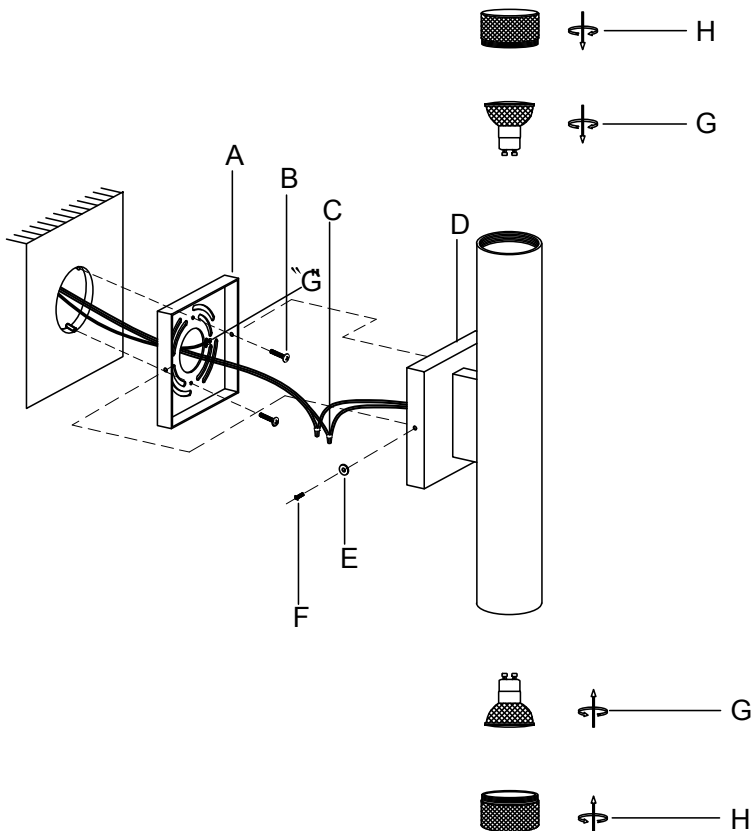
1. Installation by a licensed electrician is strongly recommended.
2. Turn off circuit breakers and power supply to the fixture. Failure to disconnect power supply prior to installation may result in serious injury.

warnings:

All wires are connected. When unpacking, be careful not to pull wires, as a bad connection may result.

to assemble:

1. Connect bare ground wire from fixture to bare ground wire from outlet box using wire connector (C).
2. Attach mounting plate (A) to J-Box using screws (B).
3. Attach sconce body (D) to mounting plate (A) and secure with screw (F) and washer (E).
4. Insert bulb (G) into the socket and twist clockwise to lock in place.
5. Thread knurled shade cover (H) onto sconce body (D).
6. Assembly is complete.



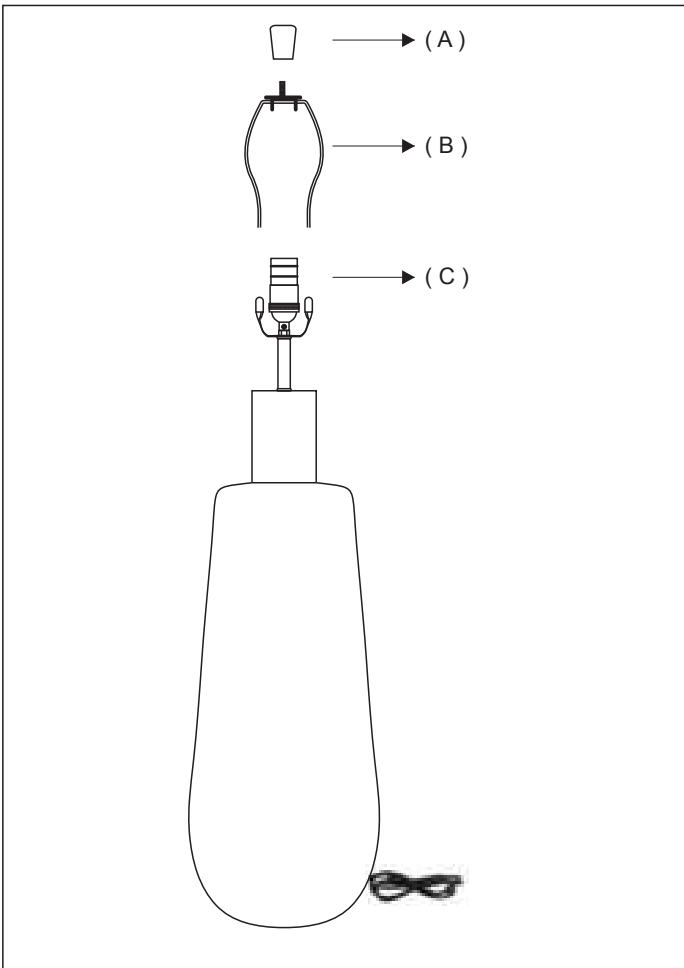
care instructions:

Wipe with a clean, dry cloth. Do not use acid or corrosive liquid to clean the lamp.

STUCCO TABLE LAMP

parts enclosed:

- A. Finial (1)
- B. Harp (1)



important safety instructions:

1. To avoid the risk of fire, do not exceed the recommended wattage for this fixture.

UL NO: E510817, UL RATING: DRY,
MAX BULB WATTAGE: 40 W
CONVERSION TO MAX LED WATTAGE: 12 W
BULB: 1 X A-19 (NOT INCLUDED)

warnings:

1. Do not remove the lamp from its packaging by pulling on the power cord, as a bad connection may result.
2. To avoid the risk of fire, electrical shock, or personal injury, turn off lamp and allow it to cool prior to replacing light bulb.
3. Do not touch bulb when fixture is turned on or look directly at lit b.
4. Keep flammable materials away from lit bulb.

to assemble:

1. Carefully remove all parts from the box and remove all protective coverings.
2. Turn OFF power to the circuit breaker where the lamp will be installed
3. Attach harp (B) to the saddle (C).
4. Unscrew finial (A) place shade on harp (B) and tighten finial (A) to harp (B).
5. Restore power to the circuit breaker and test lamp fixture.

care instructions:

Do not use polishes or cleaners on your lamp. Wipe with soft, lint free cloth.

parts enclosed:

A	Wire Connector	3
B	Mounting Bracket	1
C	Mounting Screw	2
D	Ground Screw	1
E	Canopy	1
F	Hex Nut	2
G	Nipple	1
H	Lock Washer	1
I	Screw Collar Loop	1
J	Threaded Ring	1
K	Chain	1
L	Fixture Loop	1
M	Quick Link	1

caution:

BEFORE INSTALLING THIS CHANDELIER, MAKE SURE THE POWER TO THE CIRCUIT IS TURNED OFF AT THE MAIN FUSE BOX / CIRCUIT BREAKER UTILITY BOX.

important safety instructions:

1. This chandelier is meant for indoor use, DRY LOCATIONS ONLY.
2. Do not use the electric cord to support the weight of the chandelier.
3. These instructions are provided for your safety. It is important that they are read carefully and completely before beginning the installation of this lighting fixture.
4. For your safety, it is strongly recommended that two people install the lighting fixture.
5. THIS PRODUCT MUST BE INSTALLED IN ACCORDANCE WITH THE APPLICABLE INSTALLATION CODES BY A PERSON FAMILIAR WITH THE CONSTRUCTION AND OPERATION OF THE PRODUCT AND THE HAZARDS INVOLVED.
6. Save these instructions.

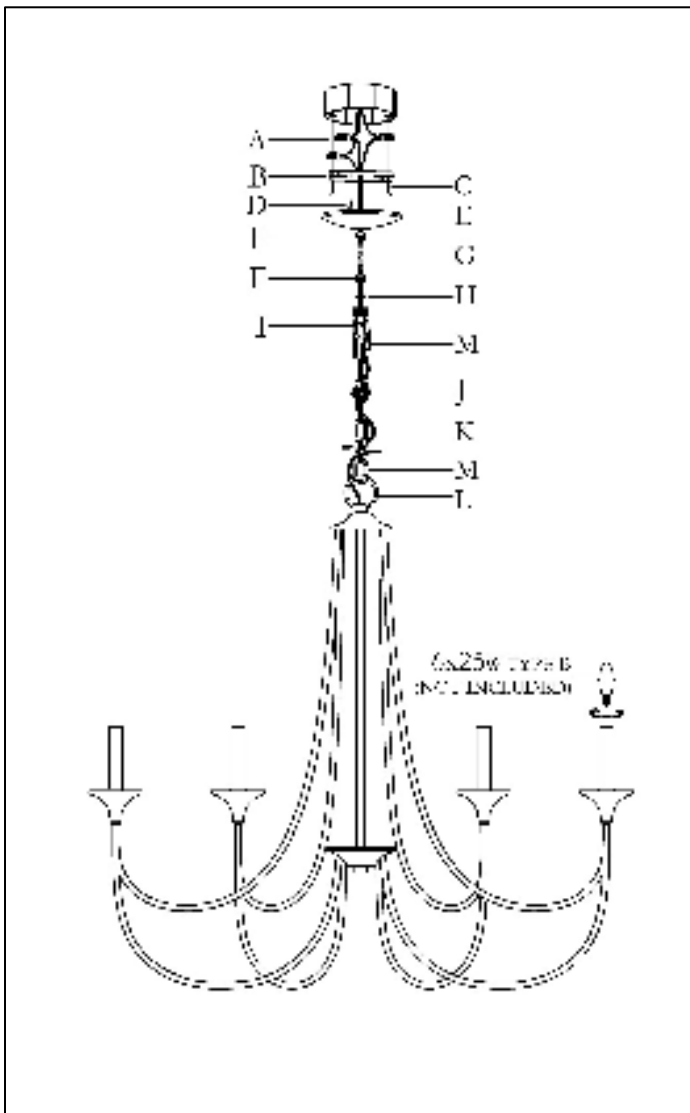
warnings:

1. Do not remove the fixture from the packaging by pulling on the power cord as a bad connection or damage may result.
2. To reduce the risk of fire, electrical shock or personal injury, always turn off the chandelier and allow it to cool prior to replacing the light bulbs.
3. Do not touch the bulbs when the chandelier is turned on. Do not look directly at lit bulbs.
4. Keep flammable materials away from lit bulbs.

to assemble:

Remove all parts and hardware from the box along with any plastic protective packaging. Do not discard any contents until after assembly is complete to avoid accidentally discarding small parts or hardware.

1. SHUT OFF THE MAIN ELECTRICAL SUPPLY FROM THE MAIN FUSE BOX/CIRCUIT BREAKER.
2. Attach the Mounting Bracket (B) onto the Ceiling Outlet Box using Mounting Screws (C). Tighten the screws with a screwdriver until secure.
3. Attach one Hex Nut (F) to the top, and the other Hex Nut (F) to the bottom of the Nipple (G). Put the Lock Washer (H) in before attaching the Screw Collar Loop (I) to the bottom end of the Nipple (G).
4. Secure the top of the Nipple (G) to the Mounting Bracket (B) with the Hex Nut (F), exposing approximately 2" of its thread.
5. Pull out the fixtures 2 wire power cord and bare copper ground wire woven through the Chain (K).
6. Slide the Canopy (E) and the Threaded Ring (J) up the Chain (K).
7. Connect Chain (K) to the Fixture Loop (L) and hang to Screw Collar Loop (I) by using the Quick Link (M). Close the opening of the Quick Link (M) by screwing the nut clockwise.



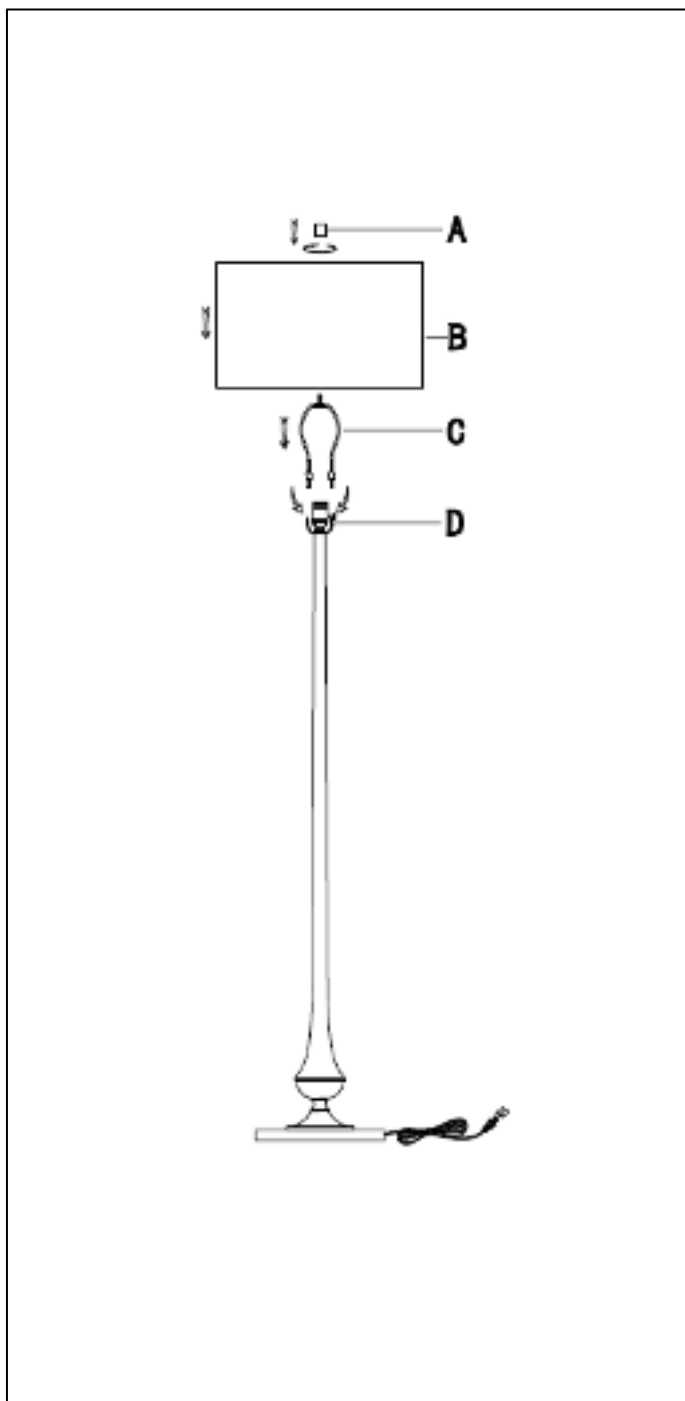
8. Gently pull existing ground, hot, and neutral junction box wires down from the ceiling junction box and allow these to hang.
9. Carefully inspect the fixture wires on the chandelier. The neutral fixture wire is ribbed. The hot fixture wire is smooth, and the ground fixture wire is copper.
10. Attach the ground wire from the fixture to the ground junction box wire. It usually has green insulation around it or is bare wire. Fasten these together with a Wire Connector (A) and wrap the connection with electrical tape. Make sure that no wire strands are exposed. If the ceiling outlet junction box does not have a ground junction box wire, insert the Ground Screw (D) into the Mounting Bracket (B) where it is marked "Ground", facing down and wrap the ground wire from the fixture around the Ground Screw (D). Tighten the Ground Screw (D) to clamp the ground fixture wire between the head of Ground Screw (D) and Mounting Bracket (B). **IT IS IMPERATIVE THAT THE CEILING OUTLET JUNCTION BOX IN YOUR HOME BE PROPERLY GROUNDED!**
11. Connect the neutral fixture wire to the neutral junction box wire. It usually has white insulation around it. Fasten these together with a plastic Wire Connector (A) and wrap the connection with electrical tape. Make sure that no wire strands are exposed.
12. Connect the hot fixture wire to the hot junction box wire. It usually has black insulation around it. Fasten these together with a plastic Wire Connector (A) and wrap the connection with electrical tape. Make sure that no wire strands are exposed. Do not reverse the hot and neutral connections or safety will be compromised.
13. Gently tuck the wire connections neatly into the ceiling outlet junction box.
14. Place the Canopy (E) over the ceiling outlet junction box and secure it in place by screwing the Threaded Ring (J) onto the Screw Collar Loop (I).
15. Insert SIX (6) 25-Watt maximum Type B incandescent light bulb (not included), or SIX (6) 6-watt maximum compact fluorescent light bulb (not included), or SIX (6) 4-watt maximum LED light bulb (not included) into the socket. **DO NOT EXCEED SPECIFIED WATTAGE.**
16. Restore power to junction box and test the fixture.
17. Installation is now completed.

care instructions:

1. Wipe clean with a soft, dry cloth or static duster.
2. Always avoid the use of harsh chemicals or abrasive cleaners as they may cause damage to finish on the chandelier.

parts enclosed:

A	Finial	1
B	Lamp Shade	1
C	Harp	1



important safety instructions:

1. To avoid the risk of fire, do not exceed the recommended wattage.
2. This portable lamp has a polarized plug (one blade is wider than the other) as a safety feature to reduce the risk of electric shock. This plug will fit in a polarized outlet only one way. If the plug does not fit fully in the outlet, reverse the plug. If it still does not fit, contact a qualified electrician. Never use with an extension cord unless the plug can be fully inserted. Do not attempt to defeat this safety feature.

warnings:

1. Do not remove the lamp from packaging by pulling on the power cord, as a bad connection may result.
2. To reduce the risk of fire, electrical shock or personal injury, turn off the lamp and allow it to cool prior to replacing the light bulb.
3. Do not touch the light bulb when the lamp is turned on or look directly at lit bulb.
4. Keep flammable materials away from lit bulb.
5. Remove clear shade cover prior to use.
6. This portable lamp is meant for indoor use, dry locations only.
7. This lamp has been rated for up to one (1) 100-Watt maximum Type A standard medium base incandescent light bulb (not included), or one (1) 23-watt compact fluorescent light bulb (not included), or one (1) 20-Watt LED light bulb (not included).
8. Save these instructions.

to assemble:

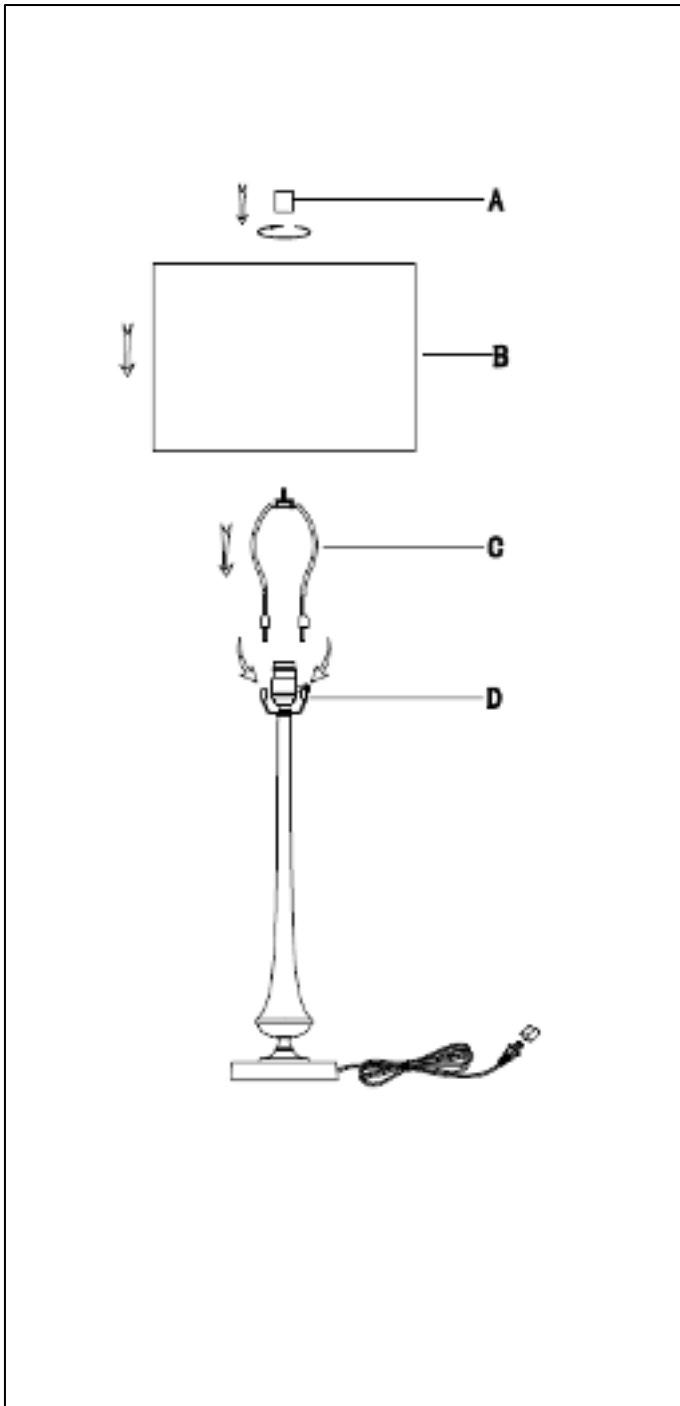
1. Unpack all parts from the carton carefully.
2. Insert the Harp (C) into the Saddle (D) and lower the harp caps until they cover the two-pronged Saddle (D).
3. Unscrew the Finial (A) from the harp top. Place the Shade (B) over the assembled Harp (C), making sure the harp top extends through the hole at the top of the Lamp Shade (B).
4. Attach the Finial (A) onto the harp top and tighten it to secure the Lamp Shade (B).
5. Insert ONE (1) 100-watt maximum TYPE A standard medium base incandescent light bulb (not included), or ONE (1) 23-watt maximum compact fluorescent light bulb (not included), or ONE (1) 20-watt maximum LED light bulb (not included) into the socket.
6. Remove protective plastic from the electrical plug.
7. Plug the lamp into proper electrical outlet and test this lamp.

care instructions:

Wipe clean with a soft, dry cloth or static duster. Always avoid the use of harsh chemicals or abrasive cleaners as they may cause damage to the lamp's finish.

parts enclosed:

A	Finial	1
B	Lamp Shade	1
C	Harp	1



important safety instructions:

1. To avoid the risk of fire, do not exceed the recommended wattage.
2. This portable lamp has a polarized plug (one blade is wider than the other) as a safety feature to reduce the risk of electric shock. This plug will fit in a polarized outlet only one way. If the plug does not fit fully in the outlet, reverse the plug. If it still does not fit, contact a qualified electrician. Never use with an extension cord unless the plug can be fully inserted. Do not attempt to defeat this safety feature.

warnings:

1. Do not remove the lamp from packaging by pulling on the power cord, as a bad connection may result.
2. To reduce the risk of fire, electrical shock or personal injury, turn off the lamp and allow it to cool prior to replacing the light bulb.
3. Do not touch the light bulb when the lamp is turned on or look directly at lit bulb.
4. Keep flammable materials away from lit bulb.
5. Remove clear shade cover prior to use.
6. This portable lamp is meant for indoor use, dry locations only.
7. This lamp has been rated for up to one (1) 100-Watt maximum Type A standard medium base incandescent light bulb (not included), or one (1) 23-watt compact fluorescent light bulb (not included), or one (1) 20-Watt LED light bulb (not included).
8. Save these instructions.

to assemble:

1. Unpack all parts from the carton carefully.
2. Insert the Harp (C) into the Saddle (D) and lower the harp caps until they cover the two-pronged Saddle (D).
3. Unscrew the Finial (A) from the harp top. Place the Shade (B) over the assembled Harp (C), making sure the harp top extends through the hole at the top of the Lamp Shade (B).
4. Attach the Finial (A) onto the harp top and tighten it to secure the Lamp Shade (B).
5. Insert ONE (1) 100-watt maximum TYPE A standard medium base incandescent light bulb (not included), or ONE (1) 23-watt maximum compact fluorescent light bulb (not included), or ONE (1) 20-watt maximum LED light bulb (not included) into the socket.
6. Remove protective plastic from the electrical plug.
7. Plug the lamp into proper electrical outlet and test this lamp.

care instructions:

Wipe clean with a soft, dry cloth or static duster. Always avoid the use of harsh chemicals or abrasive cleaners as they may cause damage to the lamp's finish.

**STRADA PENDANT SCONCE
4STRA-SCOB & 4STRA-SCGM**

SAFETY, INSTALLATION & CARE INSTRUCTIONS

IMPORTANT SAFETY INSTRUCTIONS

We strongly recommend that all direct-wired lighting products be installed by a licensed electrician.

DO NOT EXCEED the rated bulb wattage. Keep flammable materials away from bulb. This light fixture is shipped with all internal wiring intact. Do not open the product or alter the wiring in any manner.



WARNING: Be certain that the power to the electrical junction box is turned off at the circuit breaker before installation. Turning the power off at a light switch is not sufficient to prevent electrical shock.

CAUTION:

Prior to installation, locate ALL PARTS INCLUDED before disposing of packaging materials.

Tools Required for Installation:

Phillips and Flat-blade Screwdrivers (Not Included)	Drill (Not Included)
Pliers (Not Included)	
Electrical Tape (Not Included)	

Parts Required (not included):

Part	Qty.	Description
(A)	1	Junction Box
(B)	1	Ground Junction Box Wire
(C)	1	Hot Junction Box Wire
(D)	1	Neutral Junction Box Wire

Hardware and Parts Included:

Part	Qty.	Description	Part	Qty.	Description
(E)	1	Ground Screw	(L)	2	Decorative Nut
(F)	1	Mounting Plate	(M)	2	Knurled Nut
(G)	1	Back Plate	(N)	1	Light Bulb (Not Included)
(H)	3	Wire Connectors	(O)	1	Lamp Body
(I)	1	Ground Wire	(P)	1	Glass Shade
(J)	1	Hot Fixture Wire	(Q)	2	Mounting Screw
(K)	1	Neutral Fixture Wire	(R)	2	Screw

Important Safety Instructions:

This product must be installed in accordance with the applicable installation codes by a person familiar with the construction and operation of the product and the hazards involved.

This fixture has been rated for up to one (1) 40W-maximum Type B incandescent light bulb (not included). To avoid the risk of fire, do not exceed the recommended wattage.

This fixture is meant for indoor use & is approved for use in covered outdoor areas or bathrooms.

STRADA PENDANT SCONCE 4STRA-SCOB & 4STRA-SCGM

SAFETY, INSTALLATION & CARE INSTRUCTIONS

WARNING:

Do not touch the bulb when the fixture is turned on. Do not look directly at the lit bulb.

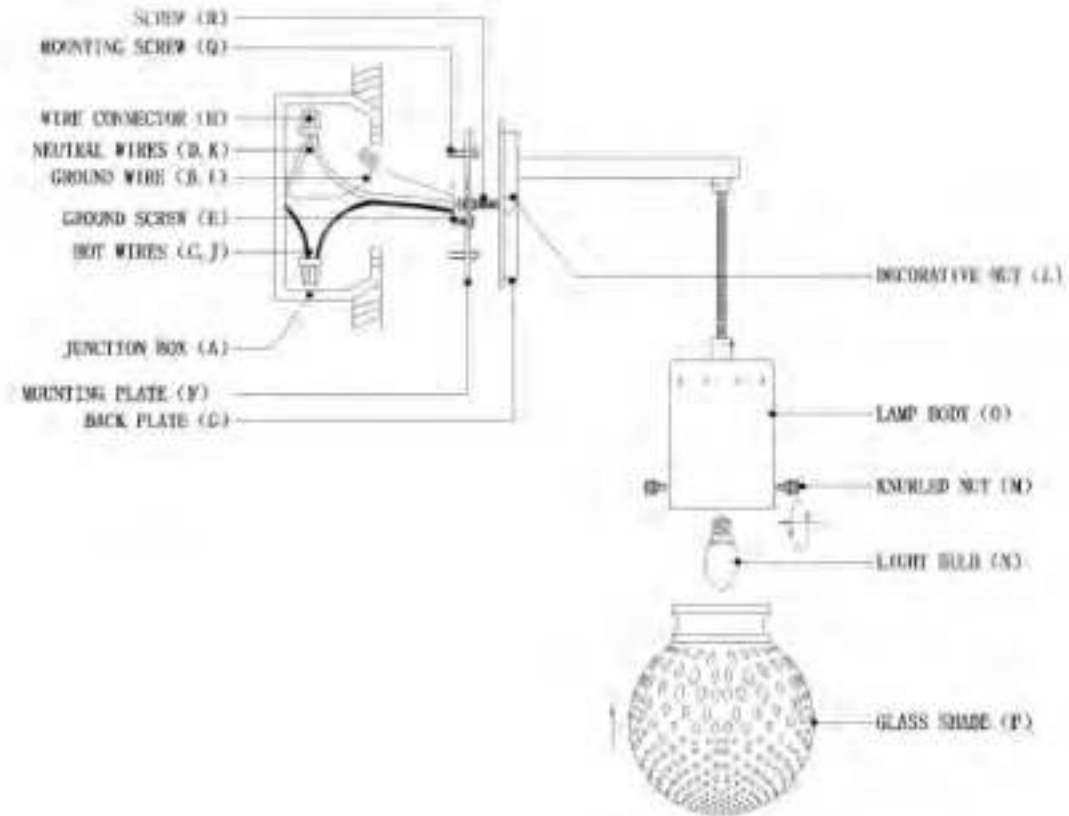
Keep flammable materials away from the lit bulb.

To reduce the risk of fire, electrical shock, or personal injury, always turn off and unplug the fixture and allow it to cool prior to replacing the lightbulb

INSTALLATIONPROCEDURE: Refer to Figure 1.

1. SHUT OFF THE MAIN ELECTRICAL SUPPLY FROM THE MAIN FUSE BOX/CIRCUIT BREAKER.
2. Carefully unpack all fixture parts and hardware and lay them out on a clean work surface.
3. Use wire strippers to prepare the ends of the two wires so that there is about 1/2" of exposed wire for the Wire Connectors (H).
4. Carefully inspect the fixture wires. The Neutral Fixture Wire (K) is white. The Hot Fixture Wire (J) is black, and the Ground Wire (I) is green.
5. Attach the Ground Wire (I) from the fixture to the Ground Junction Box Wire (B); it usually has green insulation around it or is bare wire. Fasten them together with a Wire Connector (H) and wrap the connection with electrical tape. Make sure that no wire strands are exposed. If your Junction Box (A) does not have a Ground Junction Box Wire (B), insert the Ground Screw (E) into the Mounting Plate (F) where it's marked "Ground", and wrap the fixture's bare ground wire around the Ground Screw (E). Tighten the screw to clamp the Ground Junction Box Wire (B) between the Ground Screw (E) head and the Mounting Plate (F). It is imperative that the Junction Box (A) in your home be properly grounded.
6. Connect the Neutral Fixture Wire (K) to the Neutral Junction Box Wire (D); it usually has white insulation around it. Fasten them together with a plastic Wire Connector (H) and wrap the connection with electrical tape. Make sure that no wire strands are exposed.
7. Connect the Hot Fixture Wire (J) to Hot Junction Box Wire (C); it usually has black insulation around it. Fasten them together with a plastic Wire Connector (H) and wrap the connection with electrical tape. Make sure that no wire strands are exposed. Do not reverse the hot and neutral connections or safety will be compromised.
8. Gently tuck the wire connections neatly into the Junction Box (A).
9. Fix Mounting Plate (H) to Junction Box (A) with Mounting Screw (Q).
10. Fix Lamp Body (O) with Screw (R) and Decorative Nut (L).
11. Install Light Bulb (N) (Not Included) to Lamp Body (O).
12. Fix Glass Shade (P) to Lamp Body (O) with Knurled Nut (M).
13. Restore power to Junction Box (A) and test the fixture.

Installation Procedure (Figure 1):



CARE & CLEANING:

To clean, wipe the fixture **ONLY** with a soft, dry cloth.

Ancel Table Lamp

ARHAUS®

your home

parts enclosed:

- (A) Finial (1)
- (B) Harp Top (1)
- (C) Harp (1)
- (D) Harp Caps (2)
- (E) Socket (1)
- (F) Saddle (1)
- (G) Lamp Base (1)
- (H) Shade
- (I) Bulb (not included)

(diagram / line drawing)

important safety instructions:

1. We recommend installation by a licensed electrician.
2. To avoid the risk of fire, do not exceed the recommended wattage for this fixture.
3. This fixture has been rated for up to one (1) 150WATT max or smaller 3way Type A or max 18W 3W SBLED Lamp

warnings:

1. Do not remove the lamp from its packaging by pulling on the power cord, as a bad connection may result.
2. To avoid the risk of fire, electrical shock, or personal injury, turn off lamp and allow it to cool prior to replacing light bulb.
3. Do not touch bulb when fixture is turned on or look directly at lit bulb.
4. Keep flammable materials away from lit bulb.

to assemble:

1. Raise the Harp Caps (D) and insert the bottom ends of the Harp (C) into the Saddle (F).
2. Lower the the Harp Caps (D) until they cover the two-pronged Saddle (F).
3. Unscrew the Finial (A) from the Harp Top (B)
4. Place the Shade (H) over the Harp (C) making sure the Harp Top (B) extends through the top ring of the Shade (H).
5. Secure the Shade (H) by turning the Finial (A) onto the Harp Top (B).
6. Insert the specified light bulb into the socket (E). DO NOT EXCEED THE SPECIFIED WATTAGE.

care instructions:

1. Wipe clean with a soft, dry cloth or static duster.
2. Always avoid the use of harsh chemicals or abrasive cleaners as they may cause damage to the fixture's finish.

ARHAUS

Brass Sconce Assembly Instructions

Important Safety Instructions:

- For safety purposes, this lamp is equipped with a polarized plug (one blade is wider than the other). If the plug does not fit securely into your outlet, do not force it – contact a professional electrician. Use the plug with an extension cord only if it can be fully inserted into the cord's socket. Never alter the plug in any way.
- These instructions are provided for your safety. It is important that they are read carefully and completely before assembling fixture.
- This fixture has been rated for up to (1) E17 /max 25-watt TYPE T standard bulb (not included). To avoid the risk of fire, do not exceed the recommended wattage.

Warning:

- To reduce the risk of fire, electrical shock, or personal injury, always turn off and unplug lamp and allow it to cool prior to replacing light bulb.
- Do not touch bulb when fixture is turned on. Do not look directly at light bulb.
- Keep flammable materials away from light bulb.

Pre-assembly:

- Remove all parts and hardware from box along with any plastic protective packaging.
- Do not discard any contents until after assembly is complete to avoid accidentally discarding small parts or hardware.

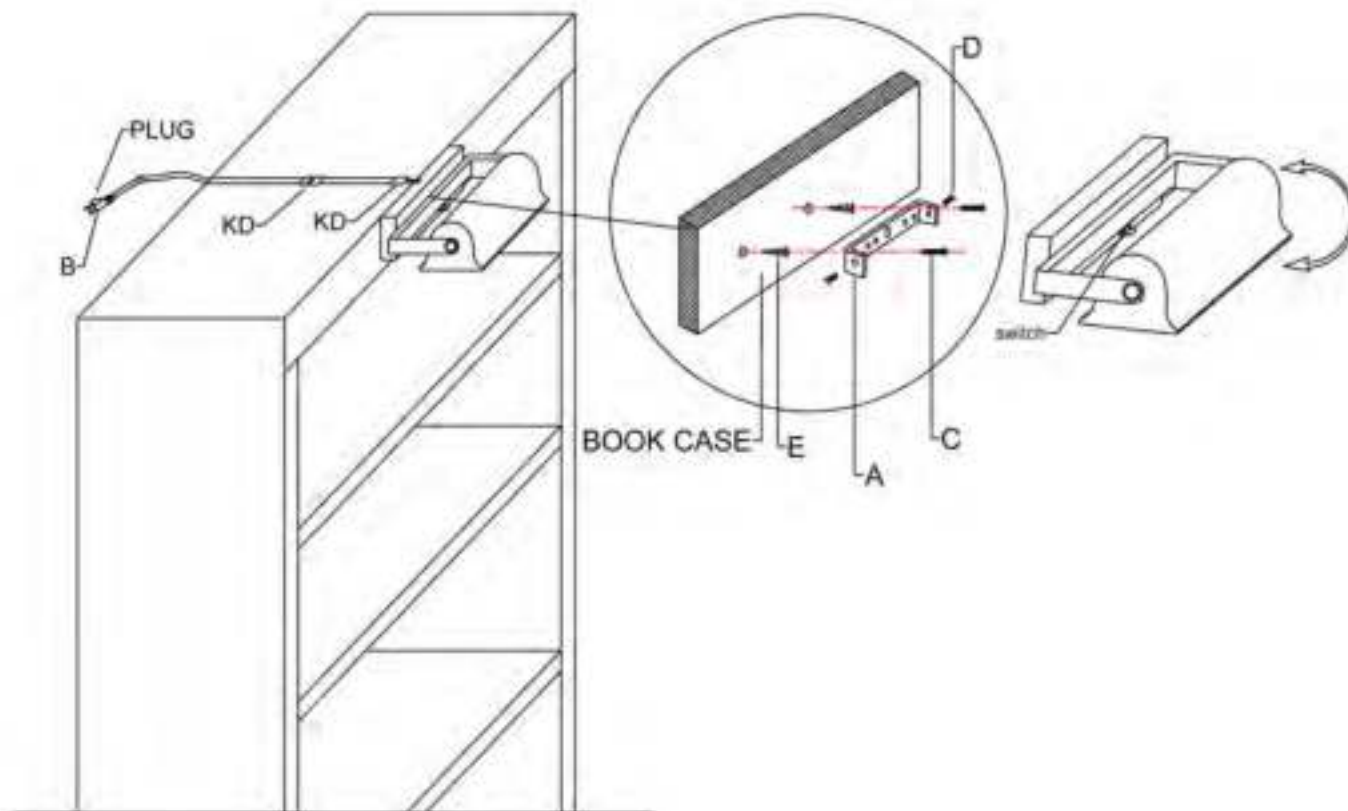
To Assemble: (Please refer to page 2 for image)

CORD COVER ASSEMBLY INSTRUCTIONS:

1. Remove mounting plate (A) from backplate by removing screws (D).
2. Determine desired location for light fixture on wall/bookcase/bookcase. Hold mounting plate (A) in a level position against the wall. Using a pencil, mark the location of the mounting holes in mounting plate (A) onto the wall/bookcase.
3. Drill small holes at marked locations on the wall/bookcase. Holes should be sized so they accommodate wall anchors (E), provided. Insert wall anchors into drilled holes.
4. Affix mounting plate (A) to the wall/bookcase by threading mounting screws (C) through holes in mounting plate (A) and into wall anchors.
5. Slide backplate over mounting plate (A). Thread screws (D) into vacant holes at the top and sides of backplate to secure fixture to the mounting surface.
6. Insert one (1) 25W Bulb of Type T Candelabra base bulb into the socket located inside shade.
7. Insert three prong plug (B) into wall/bookcase outlet.
8. Control power to the fixture by rotating switch.

Care Instructions:

- Clean with a soft, dry cloth or static duster.
- Always avoid the use of harsh chemicals or abrasive cleaners.



Customer service

Our team of customer service professionals is available to assist you with products that are already in your home. **Phone:** 1.800.777.1745 x3050 **E-mail:** customerservice@arhaus.com

Thank you for purchase!

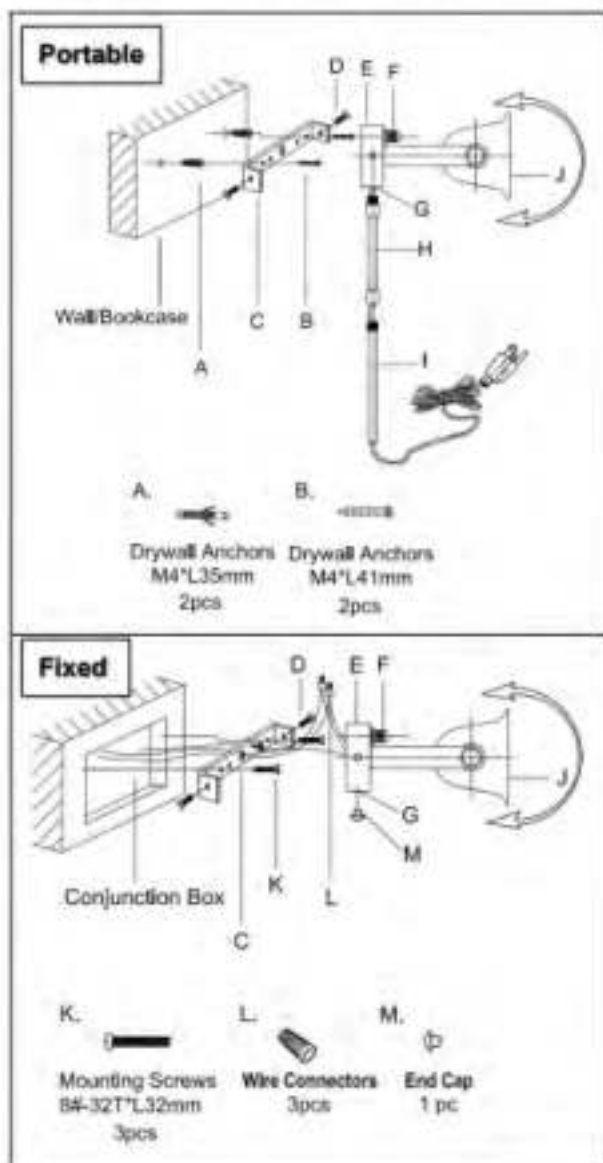
| www.arhaus.com |

LIGHTING PARTS SKUS

CATEGORY	SKU	DESCRIPTION	STATUS	COLLECTION	ROUTE
LIGHTING	911595350HW	TREMONT SCONCE HARDWARE 1 SET OF REPLACEMENT HARDWARE	A	PT-TREMONT	PART

parts enclosed:

	Hardware Description	Qty
A.	Drywall Anchors	x2
B.	Drywall Screws	x2
K.	Mounting Screws	x3
L.	Wire Connectors	x3
M.	End Cap	x1



important safety instructions:

1. We recommend installation by a licensed electrician.
2. To avoid the risk of fire, do not exceed the recommended wattage for this fixture.
3. For safety purposes, this lamp is equipped with a three-prong plug. If the plug does not fit securely into your outlet, do not force it – contact a professional electrician. Use the plug with an extension cord only if it can be fully inserted into the cord's socket. Never alter the plug in any way.
4. This fixture has been rated for up to two (2) E17 /Max 20-watt TYPE T standard bulbs (not included). To avoid the risk of fire, do not exceed the recommended wattage.

warnings:

1. Do not remove the lamp from its packaging by pulling on the power cord, as a bad connection may result.
2. To avoid the risk of fire, electrical shock, or personal injury, turn off lamp and allow it to cool prior to replacing light bulb.
3. Do not touch bulb when fixture is turned on or look directly at lit bulb.
4. Keep flammable materials away from lit bulb.
5. Do not discard any contents until after assembly is complete to avoid accidentally discarding small parts or hardware.

to assemble as a portable lamp:

1. Remove mounting plate (C) from backplate (E) by removing screws (D).
2. Determine desired location for light fixture on wall/bookcase. Hold mounting plate (C) in a level position against the wall/bookcase. Using a pencil, mark the location of the mounting holes in mounting plate (C) onto the wall/bookcase.
3. Drill small holes at marked locations on the wall/bookcase. Holes should be sized so they accommodate drywall anchors (A), provided. Insert wall anchors (A) into drilled holes.
4. Affix mounting plate (C) to the wall/bookcase by threading drywall screws (B) through holes in mounting plate (C) and into drywall anchors (A).
5. Slide backplate (E) over mounting plate (C). Thread screws (D) into vacant holes at the top and sides of backplate (E) to secure fixture to the mounting surface.
6. Insert two (2) Max 20W Type T standard bulbs (not included) or equivalent LED Type T bulbs (not included) into the sockets located inside of shade.
7. Insert the plug into wall/bookcase outlet.
8. Control power to the fixture by rotating switch.

to assemble as a fixed lamp:

THIS PRODUCT MUST BE INSTALLED IN ACCORDANCE WITH THE APPLICABLE INSTALLATION CODES BY A PERSON FAMILIAR WITH THE CONSTRUCTION AND OPERATION OF THE PRODUCT AND THE HAZARDS INVOLVED.

1. Remove mounting plate (C) from backplate (E) by removing screws (D)
2. Cut off the plug from the power cord and pull out the wire through the cord exit (G) into the backplate (E).
4. Insert the End Cap (M) into the cord exit (G)
5. Cut off the extra cord length and leave 6 inches long for wiring with conjunction box wire.
6. Attach the Mounting Plate (C) to the outlet box using the two Mounting Screws (K). Tighten each screw in a clockwise until the Mounting Plate (C) is firmly secured to the conjunction box.
7. We strongly recommend that a professional electrician install all direct wire fixtures. Carefully inspect the fixture's wires and wrap and fasten each corresponding wires of the junction box and the one of fixture with electrical tape and wire connectors (L). **DO NOT REVERSE THE HOT AND NEUTRAL CONNECTIONS OR SAFETY WILL BE COMPROMISED.**
8. Slide backplate (E) over mounting plate (C). Thread screws (D) into vacant holes at the top and sides of backplate (E) to secure fixture to the mounting surface.
9. Insert two (2) Max 20W Type T standard bulbs (not included) or equivalent LED Type T bulbs (not included) into the sockets located inside of shade.
10. Control power to the fixture by rotating switch.

care instructions:

- Clean with a soft, dry cloth or static duster.
- Always avoid the use of harsh chemicals or abrasive cleaners.

to assemble as a fixed lamp:

THIS PRODUCT MUST BE INSTALLED IN ACCORDANCE WITH THE APPLICABLE INSTALLATION CODES BY A PERSON FAMILIAR WITH THE CONSTRUCTION AND OPERATION OF THE PRODUCT AND THE HAZARDS INVOLVED.

1. Remove mounting plate (C) from backplate (E) by removing screws (D)
2. Cut off the plug from the power cord and pull out the wire through the cord exit (G) into the backplate (E).
4. Insert the End Cap (M) into the cord exit (G)
5. Cut off the extra cord length and leave 6 inches long for wiring with conjunction box wire.
6. Attach the Mounting Plate (C) to the outlet box using the two Mounting Screws (K). Tighten each screw in a clockwise until the Mounting Plate (C) is firmly secured to the conjunction box.
7. We strongly recommend that a professional electrician install all direct wire fixtures. Carefully inspect the fixture's wires and wrap and fasten each corresponding wires of the junction box and the one of fixture with electrical tape and wire connectors (L). DO NOT REVERSE THE HOT AND NEUTRAL CONNECTIONS OR SAFETY WILL BE COMPROMISED.
8. Slide backplate (E) over mounting plate (C). Thread screws (D) into vacant holes at the top and sides of backplate (E) to secure fixture to the mounting surface.
9. Insert two (2) Max 20W Type T standard bulbs (not included) or equivalent LED Type T bulbs (not included) into the sockets located inside of shade.
10. Control power to the fixture by rotating switch.

care instructions:

- Clean with a soft, dry cloth or static duster.
- Always avoid the use of harsh chemicals or abrasive cleaners.

ARHAUS

Tremont Bronze Sconce

Assembly Instructions

Important Safety Instructions:

- For safety purposes, this lamp is equipped with a polarized plug (one blade is wider than the other). If the plug does not fit securely into your outlet, do not force it – contact a professional electrician. Use the plug with an extension cord only if it can be fully inserted into the cord's socket. Never alter the plug in any way.
- These instructions are provided for your safety. It is important that they are read carefully and completely before assembling fixture.
- This fixture has been rated for up to (1) E17 /max 25-watt TYPE T standard bulb (not included). To avoid the risk of fire, do not exceed the recommended wattage.

Warning:

- To reduce the risk of fire, electrical shock, or personal injury, always turn off and unplug lamp and allow it to cool prior to replacing light bulb.
- Do not touch bulb when fixture is turned on. Do not look directly at light bulb.
- Keep flammable materials away from light bulb.

Pre-assembly:

- Remove all parts and hardware from box along with any plastic protective packaging.
- Do not discard any contents until after assembly is complete to avoid accidentally discarding small parts or hardware.

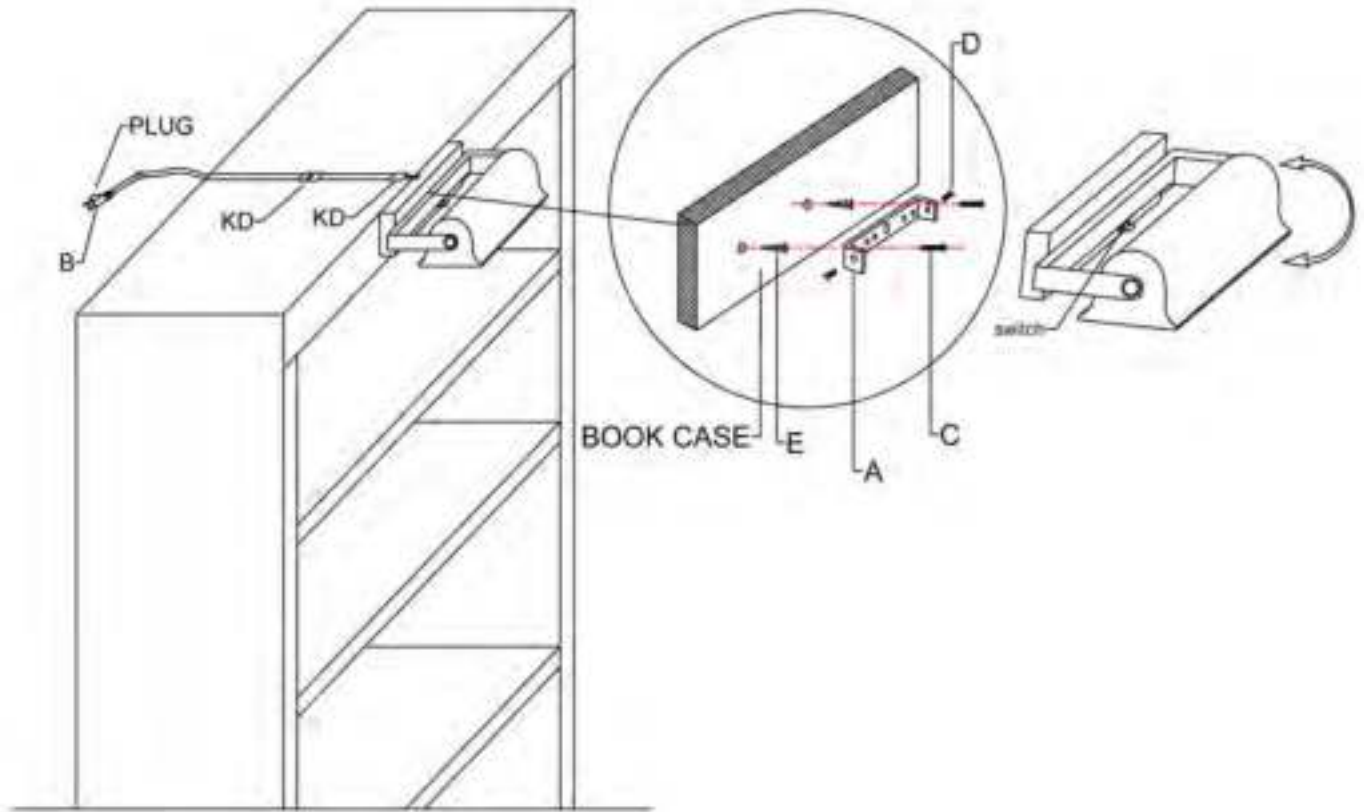
To Assemble: (Please refer to page 2 for image)

CORD COVER ASSEMBLY INSTRUCTIONS:

1. Remove mounting plate (A) from backplate by removing screws (D).
2. Determine desired location for light fixture on wall/bookcase/bookcase. Hold mounting plate (A) in a level position against the wall. Using a pencil, mark the location of the mounting holes in mounting plate (A) onto the wall/bookcase.
3. Drill small holes at marked locations on the wall/bookcase. Holes should be sized so they accommodate wall anchors (E), provided. Insert wall anchors into drilled holes.
4. Affix mounting plate (A) to the wall/bookcase by threading mounting screws (C) through holes in mounting plate (A) and into wall anchors.
5. Slide backplate over mounting plate (A). Thread screws (D) into vacant holes at the top and sides of backplate to secure fixture to the mounting surface.
6. Insert one (1) 25W Bulb of Type T standard bulb into the socket located inside shade.
7. Insert three prong plug (B) into wall/bookcase outlet.
8. Control power to the fixture by rotating switch.

Care Instructions:

- Clean with a soft, dry cloth or static duster.
- Always avoid the use of harsh chemicals or abrasive cleaners.



Customer service

Our team of customer service professionals is available to assist you with products that are already in your home. **Phone:** 1.800.777.1745 x3050 **E-mail:** customerservice@arhaus.com

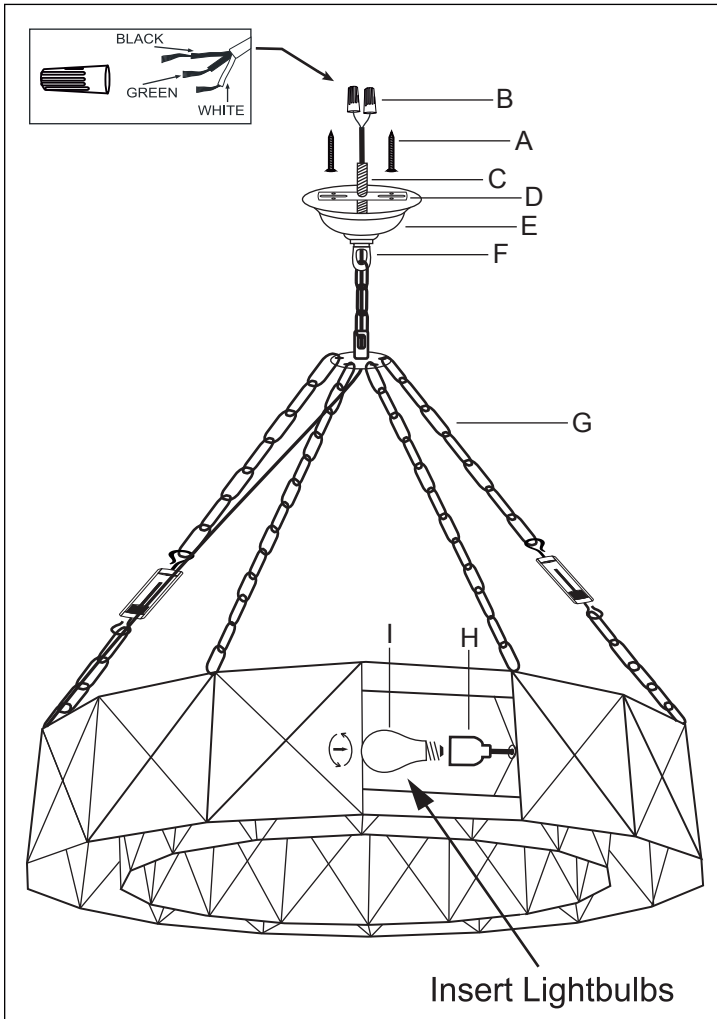
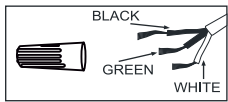
Thank you for purchase!

| www.arhaus.com |

TRUSS 36" ROUND CHANDELIER

parts enclosed:

- A. Mounting screw (2)
- B. Wire connector (2)

**important safety instructions:**

1. Professional installation recommended.
2. To avoid the risk of fire, do not exceed the recommended wattage for this fixture.

UL NO: E340057, UL RATING: DRY, MAX BULB WATTAGE: 40 W
 CONVERSION TO MAX LED WATTAGE: 4-5 W
 BULB: 8 X A-19 (NOT INCLUDED)

warnings:

1. Do not remove the lamp from its packaging by pulling on the power cord, as a bad connection may result.
2. To avoid the risk of fire, electrical shock, or personal injury, turn off lamp and allow it to cool prior to replacing light bulb.
3. Do not touch bulb when fixture is turned on or look directly at lit bulb.
4. Keep flammable materials away from lit bulb.

to assemble:

1. Carefully remove all parts from the box and remove all protective coverings.
2. Turn OFF power to the junction box where the lamp will be installed.
3. Measure desired drop of fixture from ceiling, and remove any unnecessary links from chain (G), if desired.
4. Attach cross bar (D) to ceiling outlet box using mounting screws (A).
5. Pull wire from ceiling box and attach ground wire (usually green or bare wire) on cross bar (D) with a screw.
6. Attach hot wire from ceiling box (usually black) to hot wire on fixture with a plastic wire connector (B) and wrap this connection with an electrical tape.
7. Attach neutral wire from ceiling box (usually white) to neutral wire on fixture with a plastic wire connector (B) and wrap this connection with an electrical tape.
8. Slide canopy (E) up and hold flush against ceiling. Screw the chain hook (F) to the threaded tube (C) to hang the fixture.
9. Insert the bulb (I) into socket (H) as shown in picture. Repeat for all 8 bulbs.
10. Restore power to the junction box and test lamp fixture.

care instructions:

Do not use polishes or cleaners on your lamp. Just wipe with soft, lint free cloth.

TRUSS 49" RECTANGLE CHANDELIER

parts enclosed:

- A. Mounting screw (4)
- B. Wire connector (2)
- C. Anchors (6)
- D. Screw (6)

important safety instructions:

1. Professional installation recommended.
2. To avoid the risk of fire, do not exceed the recommended wattage for this fixture.

UL NO: E340057, UL RATING: DRY, MAX BULB WATTAGE: 25 W
 CONVERSION TO MAX LED WATTAGE: 2-3 W
 BULB: 6 X B-10 (NOT INCLUDED)

warnings:

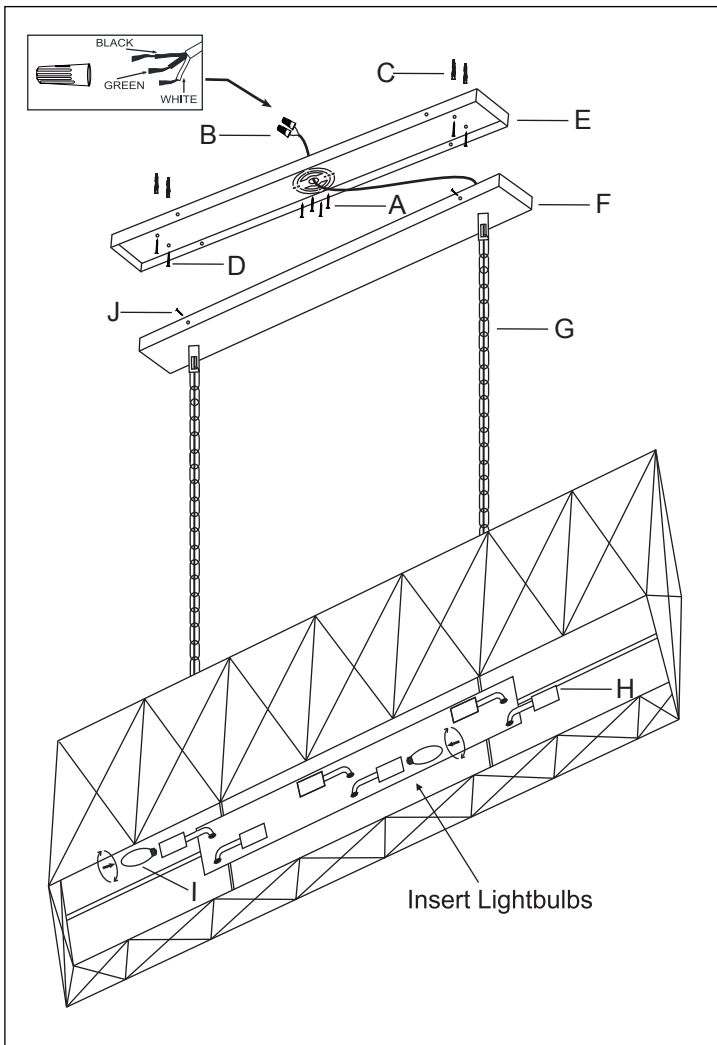
1. Do not remove the lamp from its packaging by pulling on the power cord, as a bad connection may result.
2. To avoid the risk of fire, electrical shock, or personal injury, turn off lamp and allow it to cool prior to replacing light bulb.
3. Do not touch bulb when fixture is turned on or look directly at lit bulb.
4. Keep flammable materials away from lit bulb.

to assemble:

1. Carefully remove all parts from the box and remove all protective coverings.
2. Turn OFF power to the junction box where the lamp will be installed.
3. Measure desired drop of fixture from ceiling, and remove any unnecessary links from chain (G), if desired.
4. Drill holes on the ceiling corresponding with holes in ceiling plate (E) then knock the anchors (C) into the holes. Attach the ceiling plate (E) to the ceiling with screws (D) and mounting screws (A). Note: Anchors are used for concrete ceiling, for wooden ceiling only screws can be used.
5. Pull wire from ceiling box and attach ground wire (usually green or bare wire) on ceiling plate (E) with a screw.
6. Attach hot wire from ceiling box (usually black) to hot wire on fixture with a plastic wire connector (B) and wrap this connection with an electrical tape.
7. Attach neutral wire from ceiling box (usually white) to neutral wire on fixture with a plastic wire connector (B) and wrap this connection with an electrical tape.
8. Attach the canopy (F) with ceiling plate (E) and tighten the round screws (J).
9. Insert the bulb (I) into socket (H) as shown in picture. Repeat for all 6 bulbs.
10. Restore power to the junction box and test lamp fixture.

care instructions:

Do not use polishes or cleaners on your lamp. Just wipe with soft, lint free cloth.



PARTS INVENTORY

Super Category	Product ID	Description	Stat	Collection	Route
LIGHTING	912082H381CH	TRUSS CHANDELIER 12 FT CHAIN 12 FT HANGING CHAIN	A	PT-TRUSS	PART
LIGHTING	912082H381C6	TRUSS CHANDELIER 6 FT CHAIN 6 FT HANGING CHAIN	A	PT-TRUSS	PART
LIGHTING	912082H380CN	TRUSS RECT CHANDELIER CANOPY ANTIQUE COPPER CANOPY	A	PT-TRUSS	PART
LIGHTING	912082H381CN	TRUSS ROUND CHANDELIER CANOPY ANTIQUE COPPER CANOPY	A	PT-TRUSS	PART

TULIP 8 LTS CHANDELIER

#66636H101

ARHAUS®

your home

parts enclosed:

- (D) wire nuts (3)
- (E) cross bar set (1)
- (F) cross bar screws (2)
- (I) canopy (1)



important safety instructions:

1. We recommend installation by a licensed electrician.
2. To avoid the risk of fire, do not exceed the recommended wattage for this fixture.

wattage: 8 x 40W
type of socket: E12

warnings:

1. Do not remove the lamp from its packaging by pulling on the power cord, as a bad connection may result.
2. To avoid the risk of fire, electrical shock, or personal injury, turn off lamp and allow it to cool prior to replacing light bulb.
3. Do not touch bulb when fixture is turned on or look directly at lit bulb.
4. Keep flammable materials away from lit bulb.

to assemble:

- Attach cross bar (E) to the ceiling junction box using the cross bar screws (F).
- Unscrew the collar ring (J).
- Insert the collar loop (H) into the canopy (I).
- Screw the collar ring (J) back.
- Attach the chandelier chain (L) to the collar loop (H) with the quick link (K).

See back of the page for wiring connection details.
See page 2 for final installation instructions.

replacement parts assembly:

- To replace the finial iron sphere(N), screw the finial ball in the threaded part of the chandelier bottom.

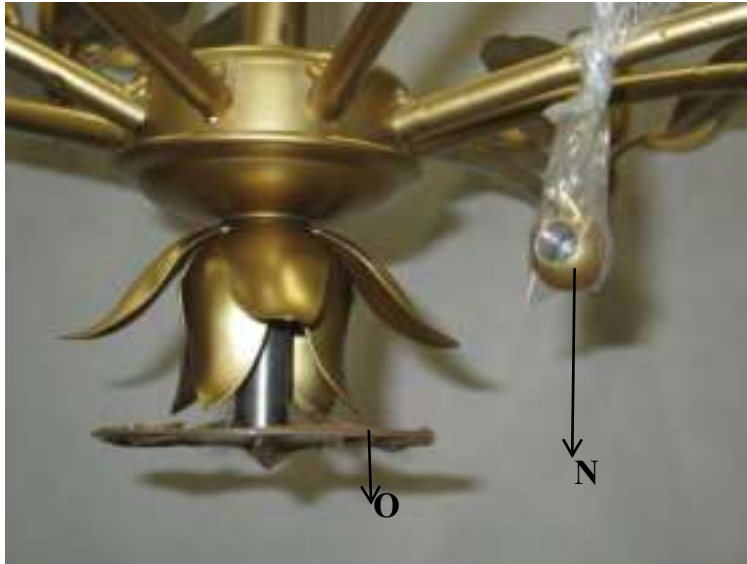
care instructions:

Clean with dry soft cloth/brush only.
Do not use water/alcohol or any detergent.

TULIP 8 LTS CHANDELIER # 66636H101

ARHAUS®
your home

Once chandelier is installed, complete below steps:



STEP 1

Unscrew the iron support (O) for the chandelier from the finial.



STEP 2

Screw the iron sphere (N) on the finial of chandelier.

INSTALLATION INSTRUCTIONS

INCANDESCENT SURFACE MOUNTED LUMINAIRES:

CAUTION

- A PERSON FAMILIAR WITH THE CONSTRUCTION AND OPERATION OF THE PRODUCT MUST INSTALL THIS PRODUCT IN ACCORDANCE WITH THE APPLICABLE INSTALLATION CODE AND THE HAZARDS INVOLVED.

WARNING

- The electricity MUST be turned off at the MAIN FUSE BOX before installation of this luminaire; turning the power off using the light switch is not sufficient to prevent electrical shock.
- Luminaires weighing 50 lbs (25 lbs for surface wall) or more must be mounted directly to the building structure, independently of the electrical box; this installation should not be made on a radiant heat type ceiling.

- If a chain-and-canopy luminaire is provided of an individual grounding conductor (bare or insulated), this shall be interwoven through the chain from the luminaire to the canopy.
- If chain-and-canopy luminaire is provided of a SPT-1 power supply cord type, this shall interwoven through the chain from the luminaire to the canopy.
- The luminaires are not intended to support external weight other than provided glasses.

- WIRE CONNECTION CHART:

Connect Black or Red (Hot) House Wire to:	Connect White (Neutral) House Wire to:
Black (Hot)	White (Neutral)
Parallel cord (round and smooth)	Parallel cord (square or ridged)
Clear, Brown, Gold or Black without tracer	Clear, Brown, Gold or Black with tracer
Insulated wire (other than green) with copper conductor	Insulated wire (other than green) with silver conductor

- ELECTRICAL CONNECTION:

- 1 Attach grounding wire (green insulated or bare copper) from the supply circuit to the mounting bracket with the green ground attachment screw provided. Connect the grounding wire of the luminaire to the grounding conductor of the supply circuit. Attach all grounding conductors to the mounting bracket with the green ground wire attachment screw.

- 2 Referring to the Wire Connection Chart, connect the black and white wires.

CAUTION

No loose strands or loose connections should be present. Secure with U.L. certified wire connectors and electrical tape.

- FINAL INSTRUCTION:

- 1 Install light bulbs; refer to the relamping label located near the lampholder for recommended wattage. **DO NOT EXCEED THE RECOMMENDED WATTAGE.**
- 2 Restore electricity and check the operation of the luminaire.

In case of change of the article, not previously authorized, the UL Certification will be reinstated immediately.



NOTICE DE MONTAGE PLAFONNIERES INCANDESCENTS

ATTENTION

- Le montage doit être effectué par personnes compétentes selon le code d'installation en vigueur et les usages impliqués.
- La sûreté de l'installation est soumise au correct usage des instructions suivantes.

AVERTISSEMENT

- Avant d'effectuer chaque opération, couper le courant à la boîte du fusible principale. La mise hors tension grâce à l'interrupteur n'est pas suffisante pour prévenir les chocs électriques.
- Luminaires qui sont lourds 50 Lbs. Ou plus (25 Lbs. Pour appareil mur) doivent être montés directement à la structure du bâtiment, de façon indépendante de la boîte électrique; cette installation ne doit pas être fait sur un plafond avec systèmes de chauffages radiants.
- Dans le cas du luminaire avec chaîne et pavillon, il faut passé les câbles à travers les mailons de la chaîne, soit s'il est équipé avec un câble conducteur de mise à la terre individuelle (nu ou isolé), soit s'il est équipé avec un câble d'alimentation SPT-1.
- Les appareils ne devraient pas porte plus de poids que celle prévue pour les verres décoratif.

• TABLE CONNEXION CABLES.

Connecter le fil de la maison NOIR ou ROUGE (phase) avec:	Connecter le fil de la maison BLANC (neutre) avec:
Noir (Phase)	Blanc (neutre)
Fil parallèle (ronde et lisse)	Fil parallèle (carré ou strié)
Clair, Marron, Or ou Noir SANS traceur	Clair, Marron, or ou Noir AVEC traceur
Fil isolé (autre que Vert) avec conducteur Cuivre	Fil isolé (autre que Vert) avec conducteur Argent

• CONNEXIONS ÉLECTRIQUES

1. Fixez le fil de terre (vert isolé ou cuivre nu) du circuit d'alimentation au support de montage par la vis vert de fixation de terre fourni.
2. Connectez le fil de mise à la terre du luminaire au conducteur de mise à la terre du circuit d'alimentation. Fixez tous les conducteurs de terre au support de montage avec la vis vert de fixation.
3. Connectez les fils noir et blanc en référant à la table connexion câbles.

ATTENTION

Fil libre ou des connexions desserrées ne doivent pas être présents. Fixer avec des connecteurs de fils certifié UL et du ruban électrique.

• INSTALLATION FINALE

1. Installer des ampoules de puissance recommandée, reportez-vous à l'étiquette de remplacement de la lampe situé en proximité de la douille.
2. Ne pas dépasser la puissance recommandée.

AVERTISSEMENT

Instructions supplémentaires

Pour la fixation, utiliser les vis fournies et vérifier que le pavillon couvré complètement la boîte de sortie.

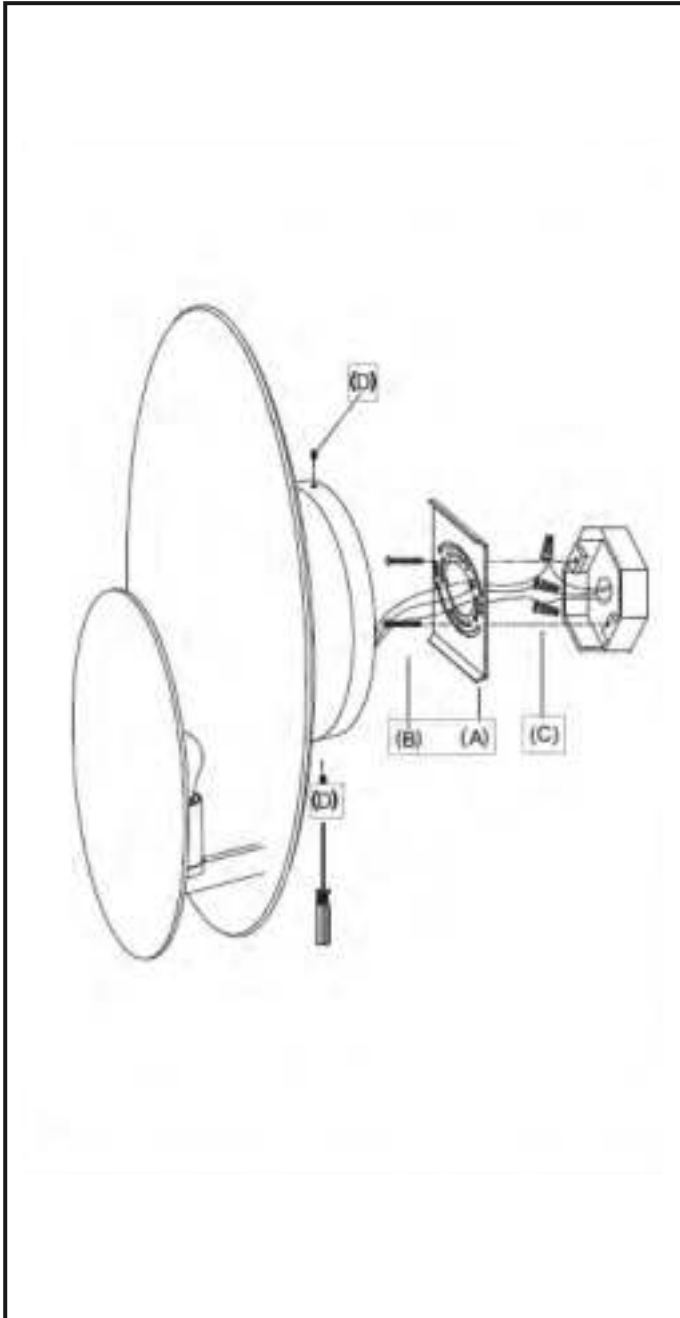
En cas de changement d'article, pas autorisé précédemment, la certification UL, se termine immédiatement.



UDAYA WALL SCONCE

parts enclosed:

- A. Screws (2)
- B. Plastic Wire Nuts (2)

**important safety instructions:**

1. Professional installation recommended.
2. To avoid the risk of fire, do not exceed the recommended wattage for this fixture.

UL NO: E178419, UL RATING : DRY, MAX BULB WATTAGE: 40 W
 CONVERSION TO MAX LED WATTAGE: 6 W
 BULB: 1 X B-10 (NOT INCLUDED)

warnings:

1. Do not remove the lamp from its packaging by pulling on the power cord, as a bad connection may result.
2. To avoid the risk of fire, electrical shock, or personal injury, turn off lamp and allow it to cool prior to replacing light bulb.
3. Do not touch bulb when fixture is turned on or look directly at lit bulb.
4. Keep flammable materials away from lit bulb.
5. Be sure to shut off power at the main fuse before installing the fixture.

to assemble:

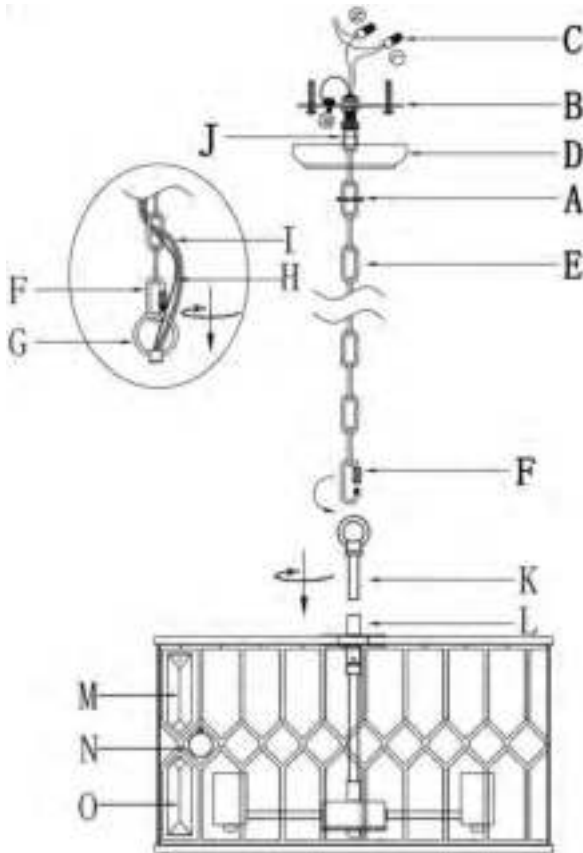
1. Carefully remove all parts and hardware from the carton
2. Turn OFF power to the circuit breaker where the wall sconce be installed.
3. Removed back plate (A) from base & fix it onto wall with screws (B).
4. Gently tuck the wire connectors nearly in to the wall outlet box (C).
5. After fixing back plate onto outlet, fix the wall sconce through base and tighten the top & bottom screws (D).
6. Insert 1 x B10 bulb into the Wall Sconce socket and make sure they do not exceed the maximum wattage specified on the wattage label.
7. Restore power to the wall outlet.

care instructions:

Wipe with a soft dry cloth. To protect finish, avoid the use of chemicals and household cleaners.

parts enclosed:

Part	Description	Qty.	Part	Description	Qty.
A	lock collar	1	I	naked earth cable	1
B	mounting bracket	1	J	ceiling loop	1
C	nipples	3	K	top part	1
D	canopy	1	L	screw nipple	1
E	chain	1	M	crystal ornaments #M	30
F	open ring	1	N	crystal ornaments #N	30
G	loop	1	O	crystal ornaments #O	30
H	cable	1			



important safety instructions:

1. We recommend installation by a licensed electrician.
2. To avoid the risk of fire, do not exceed the recommended wattage for this fixture.

warnings:

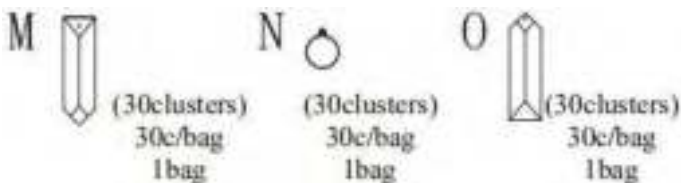
1. Do not remove the lamp from its packaging by pulling on the power cord, as a bad connection may result.
2. To avoid the risk of fire, electrical shock, or personal injury, turn off lamp and allow it to cool prior to replacing light bulb.
3. Do not touch bulb when fixture is turned on or look directly at lit bulb.
4. Keep flammable materials away from lit bulb.

to assemble:

1. Carefully remove all parts from the box.
2. Remove the mounting bracket (B) from the canopy (D) by loosening the lock collar (A).
3. Taking off the open ring (F) and use the dimensions of the fixture as a guide, shorten the chain (E) as needed using a pair of chain pliers.
4. Install the top part (K) to the screw nipple (L) together.
5. Use the open ring (F) to link the chain (E) and the loop (G), then put the cable (H) and naked earth cable (I) through the chain (E) in every 3-4 rings until through the ceiling loop (J).
6. INSURE THE ELECTRICITY SUPPLY IS TURNED OFF.
7. Affix the mounting bracket (B) on the outlet box.
8. Wrap both safety cable with nipples (C), push the cable into the outlet box.
9. Attach the canopy (D) to the mounting bracket (B) and secure with the lock collar (A).
10. Install the bulbs on the sockets.
11. Install the crystal ornaments (M)/(N)/(O) in the right places according to the illustration.
12. Installation is complete, turn on power at fuse or circuit breaker.

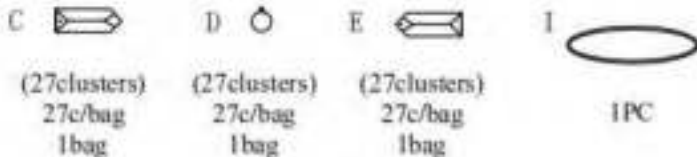
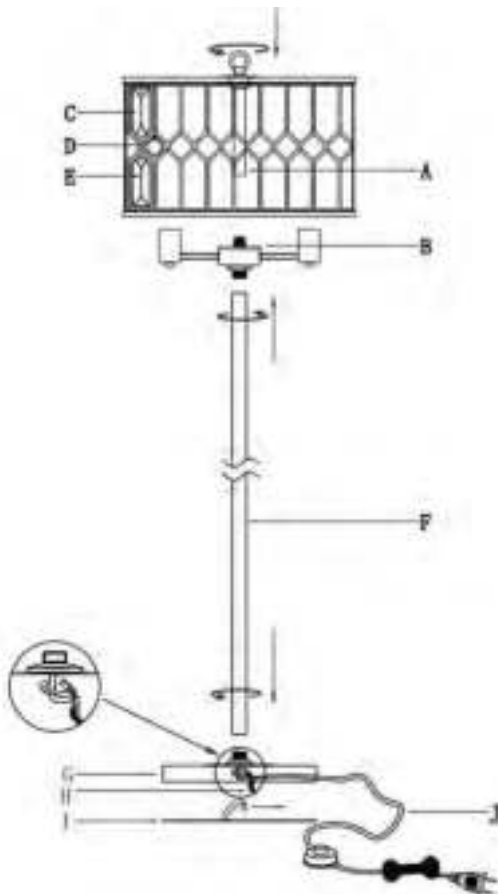
care instructions:

Clean with a dry, soft cloth only. Use no harsh abrasives or chemical agents.



parts enclosed:

Part	Description	Qty.
A	pipe	1
B	top part	1
C	crystal ornaments #C	27
D	crystal ornaments #D	27
E	crystal ornaments #E	27
F	centre pole	1
G	base	1
H	buckle	1
I	flannelette	1



important safety instructions:

1. We recommend installation by a licensed electrician.
2. To avoid the risk of fire, do not exceed the recommended wattage for this fixture.

warnings:

1. Do not remove the lamp from its packaging by pulling on the power cord, as a bad connection may result.
2. To avoid the risk of fire, electrical shock, or personal injury, turn off lamp and allow it to cool prior to replacing light bulb.
3. Do not touch bulb when fixture is turned on or look directly at lit bulb.
4. Keep flammable materials away from lit bulb.

to assemble:

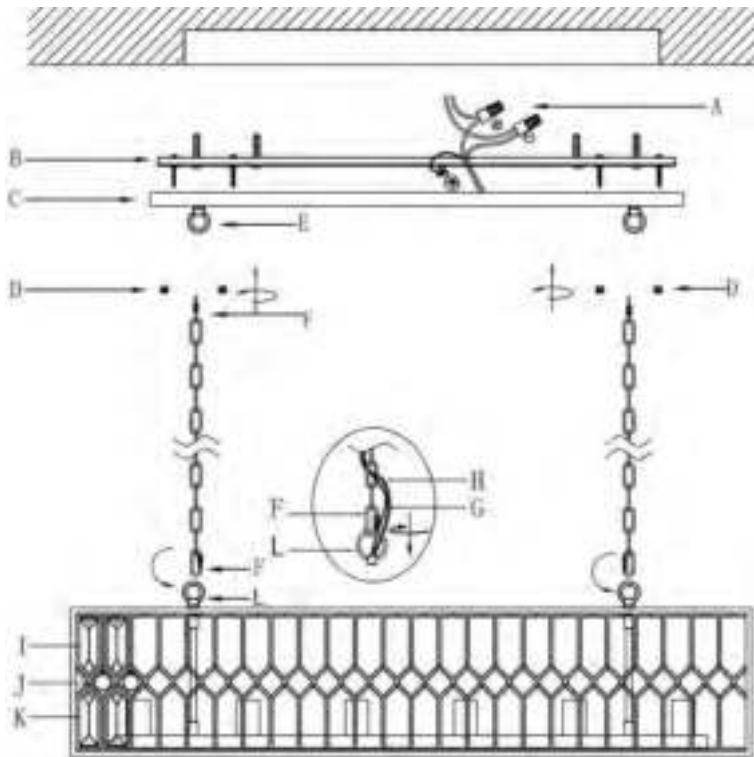
1. Carefully remove all parts from the box.
2. Install centre pole (F) on the base (G) first, then adjust the cable at bottom of the base (G) and link centre pole (F) and the top part (B) together.
3. Adjust the length of the cable again and lock the cable with screwing the buckle (H). (see the illustration)
4. Peel off the yellow paper on the flannelette (I) and then stick it on the bottom base (G).
5. Install the pipe (A) to the top part (B) to fix the iron "shade" on the top.
6. Install the bulbs on the sockets.
7. Install the glass and crystal ornaments (C)/(D)/(E) on the lamp according to the illustration.
8. Plug the lamp into the wall outlet.

care instructions:

Clean with a dry, soft cloth only. Use no harsh abrasives or chemical agents.

parts enclosed:

Part	Description	Qty.	Part	Description	Qty.
A	nipples	3	G	cable	1
B	mounting bracket	1	H	naked earth cable	1
C	rectangular base	1	I	crystal ornaments #I	58
D	screws	4	J	crystal ornaments #J	54
E	ceiling loops	2	K	crystal ornaments #K	58
F	open rings	4	L	loops	2



important safety instructions:

1. We recommend installation by a licensed electrician.
2. To avoid the risk of fire, do not exceed the recommended wattage for this fixture.

warnings:

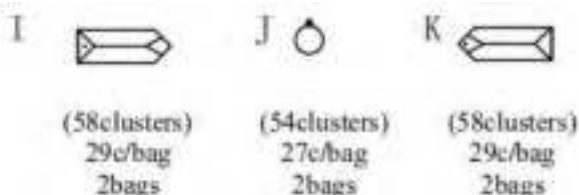
1. Do not remove the lamp from its packaging by pulling on the power cord, as a bad connection may result.
2. To avoid the risk of fire, electrical shock, or personal injury, turn off lamp and allow it to cool prior to replacing light bulb.
3. Do not touch bulb when fixture is turned on or look directly at lit bulb.
4. Keep flammable materials away from lit bulb.

to assemble:

1. Carefully remove all parts from the box.
2. Remove the mounting bracket (B) from the rectangular base (C) by loosening the screws (D).
3. Taking off the open ring (F) and use the dimensions of the fixture as a guide, shorten the chain as needed using a pair of chain pliers.
4. Use the open ring (F) to link the chain and the loop (L), then put the cable (G) and naked earth cable (H) through the chain in every 3-4 rings until through the ceiling loop (E).
5. INSURE THE ELECTRICITY SUPPLY IS TURNED OFF.
6. Affix the mounting bracket (B) on the outlet box.
7. Hold the lamp body and wrap both safety cable with nipples (A), push the cable into the outlet box.
8. Attach the rectangular base (C) to the mounting bracket (B) and secure with screws (D).
9. Install the bulbs on the sockets.
10. Install the glass and crystal ornaments (I)/(J)/(K) on the lamp according to the illustration.
11. Installation is complete, turn on power at fuse or circuit breaker.

care instructions:

Clean with a dry, soft cloth only. Use no harsh abrasives or chemical agents.

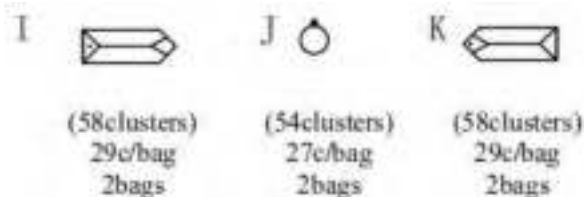
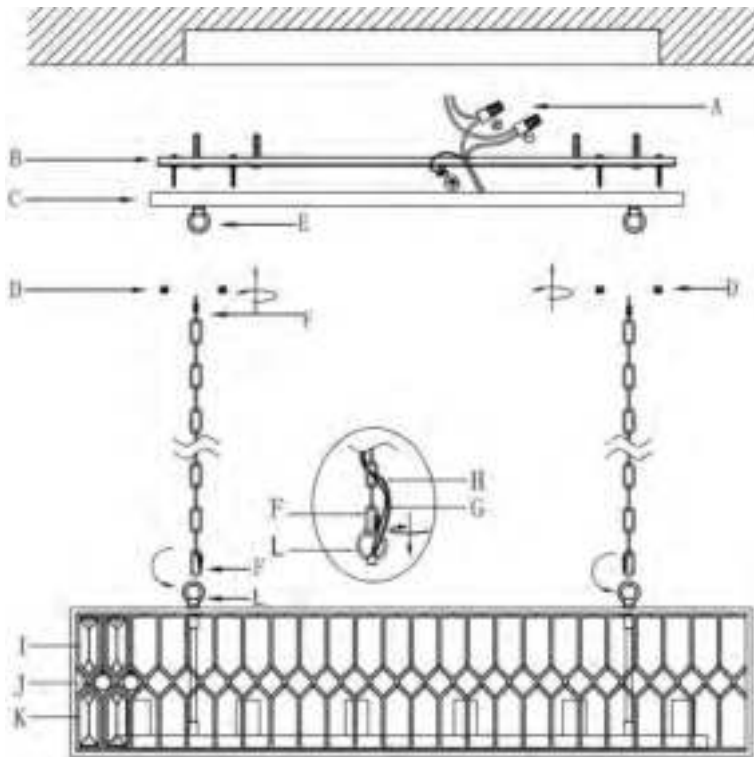


LIGHTING PARTS SKUS

CATEGORY	SKU	DESCRIPTION	STATUS	COLLECTION	ROUTE
LIGHTING	912036URCRB	URSULA BALL CRYSTAL GLASS BALL CRYSTAL	A	PT-URSULA	PART
LIGHTING	912036URCRBT	URSULA BOTTOM CRYSTAL BOTTOM GLASS CRYSTAL	A	PT-URSULA	PART
LIGHTING	912036415CH	URSULA CHAND 12 FT CHAIN .16" X 12 FT CHAIN	A	PT-URSULA	PART
LIGHTING	912036415CH6	URSULA CHAND 6 FT CHAIN .16" X 6 FT CHAIN	A	PT-URSULA	PART
LIGHTING	912036H77CN	URSULA RECT CHAND CANOPY RECT CANOPY W/ HARDWARE	A	PT-URSULA	PART
LIGHTING	912036URCL	URSULA S/10 CLIPS SET OF 10 CLIPS	A	PT-URSULA	PART
LIGHTING	912036415CN	URSULA SM ROUND CHAND CANOPY CANOPY W/ HARDWARE	A	PT-URSULA	PART
LIGHTING	912036URCRTP	URSULA TOP CRYSTAL TOP GLASS CRYSTAL	A	PT-URSULA	PART

parts enclosed:

Part	Description	Qty.	Part	Description	Qty.
A	nipples	3	G	cable	1
B	mounting bracket	1	H	naked earth cable	1
C	rectangular base	1	I	crystal ornaments #I	58
D	screws	4	J	crystal ornaments #J	54
E	ceiling loops	2	K	crystal ornaments #K	58
F	open rings	4	L	loops	2



important safety instructions:

1. We recommend installation by a licensed electrician.
2. To avoid the risk of fire, do not exceed the recommended wattage for this fixture.

warnings:

1. Do not remove the lamp from its packaging by pulling on the power cord, as a bad connection may result.
2. To avoid the risk of fire, electrical shock, or personal injury, turn off lamp and allow it to cool prior to replacing light bulb.
3. Do not touch bulb when fixture is turned on or look directly at lit bulb.
4. Keep flammable materials away from lit bulb.

to assemble:

1. Carefully remove all parts from the box.
2. Remove the mounting bracket (B) from the rectangular base (C) by loosening the screws (D).
3. Taking off the open ring (F) and use the dimensions of the fixture as a guide, shorten the chain as needed using a pair of chain pliers.
4. Use the open ring (F) to link the chain and the loop (L), then put the cable (G) and naked earth cable (H) through the chain in every 3-4 rings until through the ceiling loop (E).
5. INSURE THE ELECTRICITY SUPPLY IS TURNED OFF.
6. Affix the mounting bracket (B) on the outlet box.
7. Hold the lamp body and wrap both safety cable with nipples (A), push the cable into the outlet box.
8. Attach the rectangular base (C) to the mounting bracket (B) and secure with screws (D).
9. Install the bulbs on the sockets.
10. Install the glass and crystal ornaments (I)/(J)/(K) on the lamp according to the illustration.
11. Installation is complete, turn on power at fuse or circuit breaker.

care instructions:

Clean with a dry, soft cloth only. Use no harsh abrasives or chemical agents.

VITICCIO 15LTS CHANDELIER NEW GREY W/SILVER #66636H145

ARHAUS®

your home

parts enclosed:

- (D) wire nuts (3)
- (E) cross bar set (1)
- (F) cross bar screws (2)
- (I) canopy (1)



important safety instructions:

1. We recommend installation by a licensed electrician.
2. To avoid the risk of fire, do not exceed the recommended wattage for this fixture.

wattage: 15 X 32W
type of socket: E12

warnings:

1. Do not remove the lamp from its packaging by pulling on the power cord, as a bad connection may result.
2. To avoid the risk of fire, electrical shock, or personal injury, turn off lamp and allow it to cool prior to replacing light bulb.
3. Do not touch bulb when fixture is turned on or look directly at lit bulb.
4. Keep flammable materials away from lit bulb.

to assemble:

- Attach cross bar (E) to the ceiling junction box using the cross bar screws (F).
- Unscrew the collar ring (J).
- Insert the collar loop (H) into the canopy (I).
- Screw the collar ring (J) back.
- Attach the chandelier chain (L) to the collar loop (H) with the quick link (K).

See back of the page for wiring connection details.

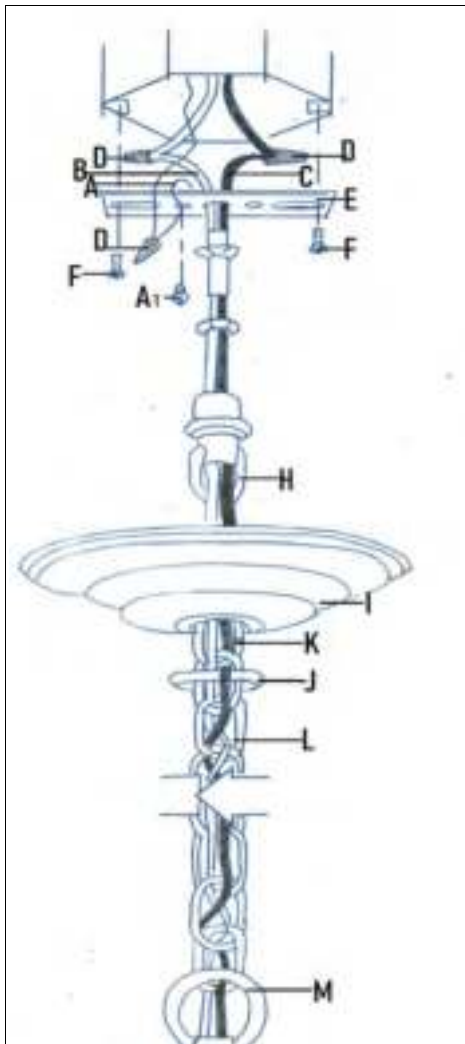
In order to adjust the chandelier position, if needed, turn canopy collar loop until the chandelier settles in the desired position.

replacement parts assembly:

- To replace chain (N) insert wire clip into the hole on the iron frame. Twist the wire to close the loop and secure it in place.

care instructions:

Clean with dry soft cloth/brush only.
Do not use water/alcohol or any detergent.



INSTALLATION INSTRUCTIONS

INCANDESCENT SURFACE MOUNTED LUMINAIRES:

CAUTION

- A PERSON FAMILIAR WITH THE CONSTRUCTION AND OPERATION OF THE PRODUCT MUST INSTALL THIS PRODUCT IN ACCORDANCE WITH THE APPLICABLE INSTALLATION CODE AND THE HAZARDS INVOLVED.

WARNING

- The electricity MUST be turned off at the MAIN FUSE BOX before installation of this luminaire; turning the power off using the light switch is not sufficient to prevent electrical shock.
- Luminaires weighing 50 lbs (25 lbs for surface wall) or more must be mounted directly to the building structure, independently of the electrical box; this installation should not be made on a radiant heat type ceiling.

- If a chain-and-canopy luminaire is provided of an individual grounding conductor (bare or insulated), this shall be interwoven through the chain from the luminaire to the canopy.
- If chain-and-canopy luminaire is provided of a SPT-1 power supply cord type, this shall interwoven through the chain from the luminaire to the canopy.
- The luminaires are not intended to support external weight other than provided glasses.

- WIRE CONNECTION CHART:

Connect Black or Red (Hot) House Wire to:	Connect White (Neutral) House Wire to:
Black (Hot)	White (Neutral)
Parallel cord (round and smooth)	Parallel cord (square or ridged)
Clear, Brown, Gold or Black without tracer	Clear, Brown, Gold or Black with tracer
Insulated wire (other than green) with copper conductor	Insulated wire (other than green) with silver conductor

- ELECTRICAL CONNECTION:

- 1 Attach grounding wire (green insulated or bare copper) from the supply circuit to the mounting bracket with the green ground attachment screw provided. Connect the grounding wire of the luminaire to the grounding conductor of the supply circuit. Attach all grounding conductors to the mounting bracket with the green ground wire attachment screw.
- 2 Referring to the Wire Connection Chart, connect the black and white wires.

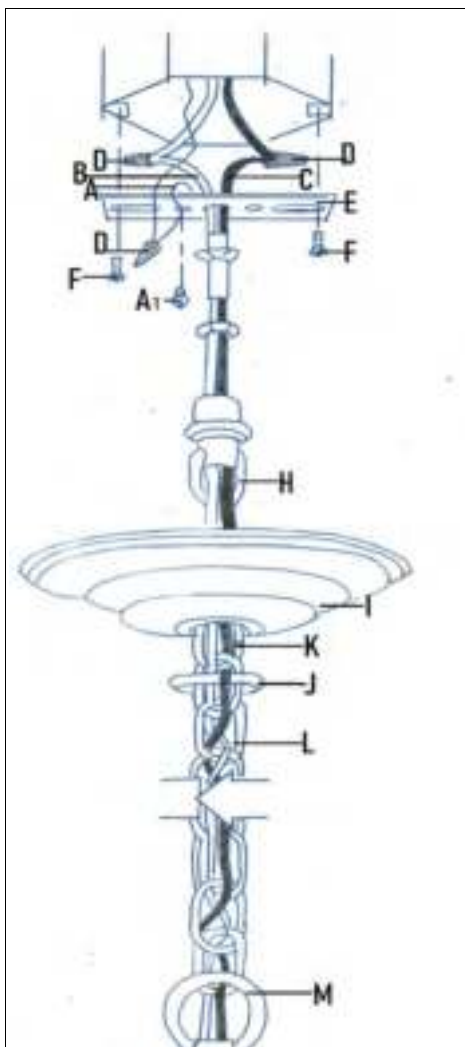
CAUTION

No loose strands or loose connections should be present. Secure with U.L. certified wire connectors and electrical tape.

- FINAL INSTRUCTION:

- 1 Install light bulbs; refer to the relamping label located near the lampholder for recommended wattage. DO NOT EXCEED THE RECOMMENDED WATTAGE.
- 2 Restore electricity and check the operation of the luminaire.

In case of change of the article, not previously authorized, the UL Certification will be reinstated immediately.



NOTICE DE MONTAGE PLAFONNIERES INCANDESCENTS

ATTENTION

- Le montage doit être effectué par personnes compétentes selon le code d'installation en vigueur et les usages impliqués.
- La sûreté de l'installation est soumise au correct usage des instructions suivantes.

AVERTISSEMENT

- Avant d'effectuer chaque opération, couper le courant à la boîte du fusible principale. La mise hors tension grâce à l'interrupteur n'est pas suffisante pour prévenir les chocs électriques.
- Luminaires qui sont lourds 50 Lbs. Ou plus (25 Lbs. Pour appareil mur) doivent être montés directement à la structure du bâtiment, de façon indépendante de la boîte électrique; cette installation ne doit pas être fait sur un plafond avec systèmes de chauffages radiants.
- Dans le cas du luminaire avec chaîne et pavois, il faut passé les câbles à travers les mailons de la chaîne, soit s'il est équipé avec un câble conducteur de mise à la terre individuelle (nu ou isolé), soit s'il est équipé avec un câble d'alimentation SPT-1.
- Les appareils ne devraient pas porte plus de poids que celle prévue pour les verres décoratif.

• TABLE CONNEXION CABLES.

Connecter le fil de la maison NOIR ou ROUGE (phase) avec:	Connecter le fil de la maison BLANC (neutre) avec:
Noir (Phase)	Blanc (neutre)
Fil parallèle (ronde et lisse)	Fil parallèle (carré ou strié)
Clair, Marron, Or ou Noir SANS traceur	Clair, Marron, or ou Noir AVEC traceur
Fil isolé (autre que Vert) avec conducteur Cuivre	Fil isolé (autre que Vert) avec conducteur Argent

• CONNEXIONS ÉLECTRIQUES

1. Fixez le fil de terre (vert isolé ou cuivre nu) du circuit d'alimentation au support de montage par la vis vert de fixation de terre fourni.
2. Connectez le fil de mise à la terre du luminaire au conducteur de mise à la terre du circuit d'alimentation. Fixez tous les conducteurs de terre au support de montage avec la vis vert de fixation.
3. Connectez les fils noir et blanc en référant à la table connexion câbles.

ATTENTION

Fil libre ou des connexions desserrées ne doivent pas être présents. Fixer avec des connecteurs de fils certifié UL et du ruban électrique.

• INSTALLATION FINALE

1. Installer des ampoules de puissance recommandée, reportez-vous à l'étiquette de remplacement de la lampe situé en proximité de la douille.
2. Ne pas dépasser la puissance recommandée.

AVERTISSEMENT

Instructions supplémentaires

Pour la fixation, utiliser les vis fournies et vérifier que le pavois couvré complètement la boîte de sortie.

En cas de changement d'article, pas autorisé précédemment, la certification UL se terminera immédiatement.

VITICCIO SMALL 15LTS CHANDELIER-ASH WHITE

ARHAUS

your home

parts enclosed:

- (D) wire nuts (3)
- (E) cross bar set (1)
- (F) cross bar screws (2)
- (I) canopy (1)



important safety instructions:

1. We recommend installation by a licensed electrician.
2. To avoid the risk of fire, do not exceed the recommended wattage for this fixture.

wattage: 15 X 25W
type of socket: E12

warnings:

1. Do not remove the lamp from its packaging by pulling on the power cord, as a bad connection may result.
2. To avoid the risk of fire, electrical shock, or personal injury, turn off lamp and allow it to cool prior to replacing light bulb.
3. Do not touch bulb when fixture is turned on or look directly at it bulb.
4. Keep flammable materials away from it bulb.

to assemble:

- Attach cross bar (E) to the ceiling junction box using the cross bar screws (F).
- Unscrew the collar ring (J).
- Insert the collar loop (H) into the canopy (I).
- Screw the collar ring (J) back.
- Attach the chandelier chain (L) to the collar loop (H) with the quick link (K).

See back of the page for wiring connection details.

In order to adjust the chandelier position, if needed, turn canopy collar loop until the chandelier settles in the desired position.

replacement parts assembly:

- To replace chain (N) insert wire clip into the hole on the iron frame. Twist the wire to close the loop and secure it in place.
- To replace the finial glass sphere (D) screw the finial ball in the threaded part of the chandelier bottom.

care instructions:

Clean with dry soft cloth/brush only.
Do not use water/alcohol or any detergent.

VITICCIO 3LTS WALL SCONCE #66636H091

ARHAUS®

your home

parts enclosed:

- (B) Cross bar screws (2)
- (H) wire nuts (3)

important safety instructions:

1. We recommend installation by a licensed electrician.
2. To avoid the risk of fire, do not exceed the recommended wattage for this fixture.
wattage: 3 x 40 W
type of socket: E12

warnings:

1. Do not remove the lamp from its packaging by pulling on the power cord, as a bad connection may result.
2. To avoid the risk of fire, electrical shock, or personal injury, turn off lamp and allow it to cool prior to replacing light bulb.
3. Do not touch bulb when fixture is turned on or look directly at lit bulb.
4. Keep flammable materials away from lit bulb.

to assemble:

- Disassemble metal box cover(C) and cross bar(A) from back of the sconce.
- Attach the cross bar(A) to the electrical box using the cross bar screws (B).
- Attach the metal box cover (C) to the cross bar (A) using the metal box cover screws (D).
- Attach the box of the sconce (E) to the metal box cover (C) using the screws (F).

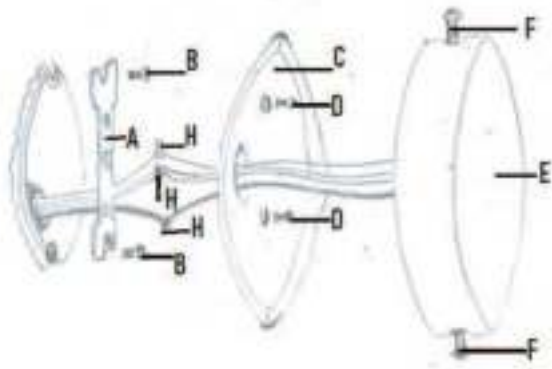
See back of the page for wiring connection details

replacement parts assembly:

- To replace chain (N) insert wire clip into the hole on the iron frame. Twist the wire to close the loop and secure it in place.

care instructions:

Clean with dry soft cloth/brush only.
Do not use water/alcohol or any detergent.



PARTS INVENTORY

Super Category	Product ID	Description	Stat	Collection	Route
LIGHTING	91636VITCH	VITICCIO CHAND 12 FT CHAIN GREY SILVER 12 FT CHAIN	A	PT-VITICCI	PART
LIGHTING	91636VITCH6	VITICCIO CHAND 6 FT CHAIN GREY SILVER 6 FT CHAIN	A	PT-VITICCI	PART
LIGHTING	91636VITCN	VITICCIO CHAND CANOPY CANOPY W/ HARDWARE	A	PT-VITICCI	PART
LIGHTING	91636VITCR	VITICCIO CHAND CRYSTAL CRYSTAL STRAND W/ DROP	A	PT-VITICCI	PART
LIGHTING	91636VITF	VITICCIO CHAND FINIAL CRYSTAL FINIAL	A	PT-VITICCI	PART

VITICCIO 52" RECT. CHANDELIER LINEAR NEW GREY W/SILVER #66636H592

ARHAUS®

your home

parts enclosed:

- (D) wire nuts (3)
- (E) cross bar set (1)
- (F) cross bar screws (2)
- (I) canopy (1)

important safety instructions:

1. We recommend installation by a licensed electrician.
2. To avoid the risk of fire, do not exceed the recommended wattage for this fixture.

wattage: 15 X 25W
type of socket: E12

warnings:

1. Do not remove the lamp from its packaging by pulling on the power cord, as a bad connection may result.
2. To avoid the risk of fire, electrical shock, or personal injury, turn off lamp and allow it to cool prior to replacing light bulb.
3. Do not touch bulb when fixture is turned on or look directly at lit bulb.
4. Keep flammable materials away from lit bulb.

to assemble:

- Attach cross bar (E) to the ceiling junction box using the cross bar screws (F).
- Unscrew the collar ring (J).
- Insert the collar loop (H) into the canopy (I).
- Screw the collar ring (J) back.
- Attach the chandelier chain (L) to the collar loop (H) with the quick link (K).

See back of the page for wiring connection details.

In order to adjust the chandelier position, if needed, turn canopy collar loop until the chandelier settles in the desired position.

replacement parts assembly:

- To replace chain (N) insert wire clip into the hole on the iron frame. Twist the wire to close the loop and secure it in place.

care instructions:

Clean with dry soft cloth/brush only.
Do not use water/alcohol or any detergent.



↓
N

INSTALLATION INSTRUCTIONS

INCANDESCENT SURFACE MOUNTED LUMINAIRES:

CAUTION

- A PERSON FAMILIAR WITH THE CONSTRUCTION AND OPERATION OF THE PRODUCT MUST INSTALL THIS PRODUCT IN ACCORDANCE WITH THE APPLICABLE INSTALLATION CODE AND THE HAZARDS INVOLVED.

WARNING

- The electricity MUST be turned off at the MAIN FUSE BOX before installation of this luminaire; turning the power off using the light switch is not sufficient to prevent electrical shock.
- Luminaires weighing 50 lbs (25 lbs for surface wall) or more must be mounted directly to the building structure, independently of the electrical box; this installation should not be made on a radiant heat type ceiling.

- If a chain-and-canopy luminaire is provided of an individual grounding conductor (bare or insulated), this shall be interwoven through the chain from the luminaire to the canopy.
- If chain-and-canopy luminaire is provided of a SPT-1 power supply cord type, this shall interwoven through the chain from the luminaire to the canopy.
- The luminaire are not intended to support external weight other than provided glasses.

- WIRE CONNECTION CHART:

Connect Black or Red (Hot) House Wire to:	Connect White (Neutral) House Wire to:
Black (Hot)	White (Neutral)
Parallel cord (round and smooth)	Parallel cord (square or ridged)
Clear, Brown, Gold or Black without tracer	Clear, Brown, Gold or Black with tracer
Insulated wire (other than green) with copper conductor	Insulated wire (other than green) with silver conductor

- ELECTRICAL CONNECTION:

1 Attach grounding wire (green insulated or bare copper) from the supply circuit to the mounting bracket with the green ground attachment screw provided. Connect the grounding wire of the luminaire to the grounding conductor of the supply circuit. Attach all grounding conductors to the mounting bracket with the green ground wire attachment screw.

2 Referring to the Wire Connection Chart, connect the black and white wires.

CAUTION

No loose strands or loose connections should be present. Secure with U.L. certified wire connectors and electrical tape.

- FINAL INSTRUCTION:

- 1 Install light bulbs, refer to the relamping label located near the lampholder for recommended wattage. **DO NOT EXCEED THE RECOMMENDED WATTAGE.**
- 2 Restore electricity and check the operation of the luminaire.

In case of change of the article, not previously authorized, the UL Certification will be reinstated immediately.



NOTICE DE MONTAGE PLAFONNIERES INCANDESCENTS

ATTENTION

- Le montage doit être effectué par personnes compétentes selon le code d'installation en vigueur et les usages impliqués.
- La sûreté de l'installation est soumise au correct usage des instructions suivantes.

AVERTISSEMENT

- Avant d'effectuer chaque opération, couper le courant à la boîte du fusible principale. La mise hors tension grâce à l'interrupteur n'est pas suffisante pour prévenir les chocs électriques.
- Luminaires qui sont lourds 50 Lbs. Ou plus (25 Lbs. Pour appareil mur) doivent être montés directement à la structure du bâtiment, de façon indépendante de la boîte électrique; cette installation ne doit pas être fait sur un plafond avec systèmes de chauffages radiants.
- Dans le cas du luminaire avec chaîne et pavillon, il faut passé les câbles à travers les mailons de la chaîne, soit s'il est équipé avec un câble conducteur de mise à la terre individuelle (nu ou isolé), soit s'il est équipé avec un câble d'alimentation SPT-1.
- Les appareils ne devraient pas porte plus de poids que celle prévue pour les verres décoratif.

• TABLE CONNEXION CABLES.

Connecter le fil de la maison NOIR ou ROUGE (phase) avec:	Connecter le fil de la maison BLANC (neutre) avec:
Noir (Phase)	Blanc (neutre)
Fil parallèle (ronde et lisse)	Fil parallèle (carré ou striée)
Clair, Marron, Or ou Noir SANS traceur	Clair, Marron, or ou Noir AVEC traceur
Fil isolé (autre que Vert) avec conducteur Cuivre	Fil isolé (autre que Vert) avec conducteur Argent

• CONNEXIONS ÉLECTRIQUES

1. Fixez le fil de terre (vert isolé ou cuivre nu) du circuit d'alimentation au support de montage par la vis vert de fixation de terre fourni.
2. Connectez le fil de mise à la terre du luminaire au conducteur de mise à la terre du circuit d'alimentation. Fixez tous les conducteurs de terre au support de montage avec la vis vert de fixation.
3. Connectez les fils noir et blanc en référant à la table connexion câbles.

ATTENTION

Fil libre ou des connexions desserrées ne doivent pas être présents. Fixer avec des connecteurs de fils certifié UL et du ruban électrique.

• INSTALLATION FINALE

1. Installer des ampoules de puissance recommandée, reportez-vous à l'étiquette de remplacement de la lampe situé en proximité de la douille.
2. Ne pas dépasser la puissance recommandée.

AVERTISSEMENT

Instructions supplémentaires

Pour la fixation, utiliser les vis fournies et vérifier que le pavillon couvre complètement la boîte de sortie.

In case of changement d'article, pas autorisé précédemment, la certification UL, se termine immédiatement.



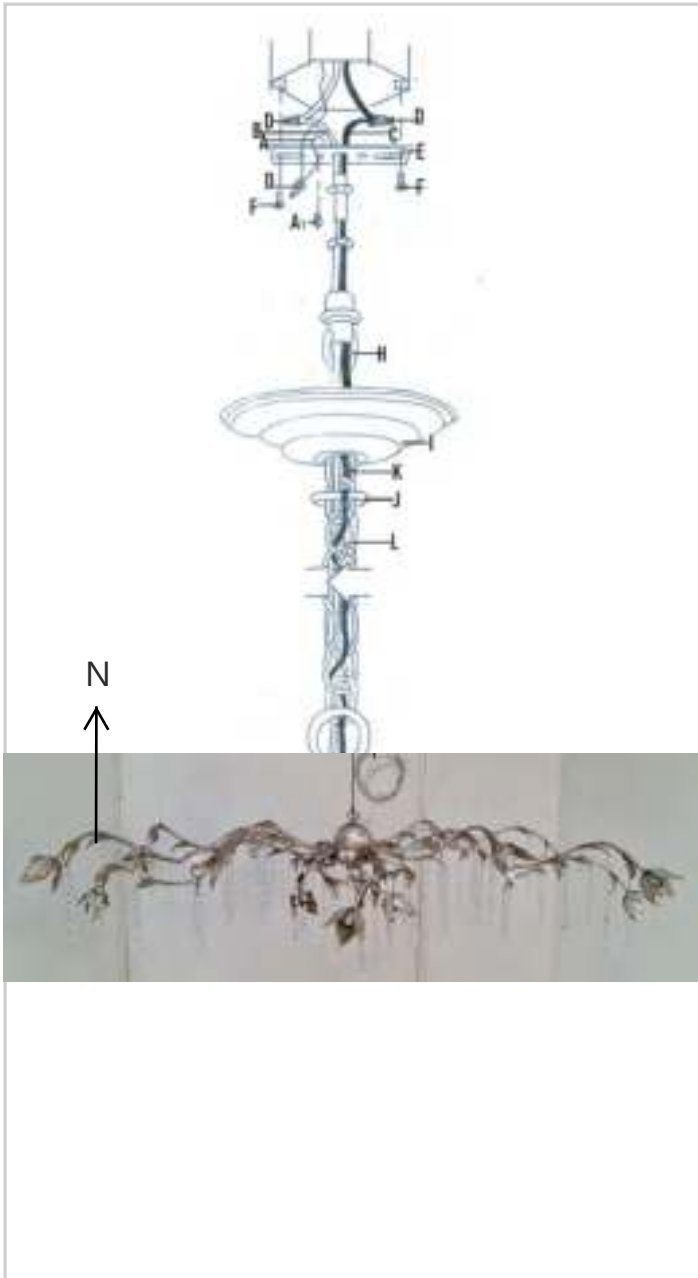
VITICCIO SILVER 71" RECT CHANDELIER #66636H407

ARHAUS®

your home

parts enclosed:

- (D) wire nuts (3)
- (E) cross bar set (1)
- (F) cross bar screws (2)
- (I) canopy (1)



important safety instructions:

1. We recommend installation by a licensed electrician.
2. To avoid the risk of fire, do not exceed the recommended wattage for this fixture.

wattage: 15 X 25W
type of socket: E12

warnings:

1. Do not remove the lamp from its packaging by pulling on the power cord, as a bad connection may result.
2. To avoid the risk of fire, electrical shock, or personal injury, turn off lamp and allow it to cool prior to replacing light bulb.
3. Do not touch bulb when fixture is turned on or look directly at lit bulb.
4. Keep flammable materials away from lit bulb.

to assemble:

- Attach cross bar (E) to the ceiling junction box using the cross bar screws (F).
- Unscrew the collar ring (J).
- Insert the collar loop (H) into the canopy (I).
- Screw the collar ring (J) back.
- Attach the chandelier chain (L) to the collar loop (H) with the quick link (K).

See back of the page for wiring connection details.

In order to adjust the chandelier position, if needed, turn canopy collar loop until the chandelier settles in the desired position.

replacement parts assembly:

- To replace chain (N) insert wire clip into the hole on the iron frame. Twist the wire to close the loop and secure it in place.

care instructions:

Clean with dry soft cloth/brush only.
Do not use water/alcohol or any detergent.

INSTALLATION INSTRUCTIONS

INCANDESCENT SURFACE MOUNTED LUMINAIRES:

CAUTION

- A PERSON FAMILIAR WITH THE CONSTRUCTION AND OPERATION OF THE PRODUCT MUST INSTALL THIS PRODUCT IN ACCORDANCE WITH THE APPLICABLE INSTALLATION CODE AND THE HAZARDS INVOLVED.

WARNING

- The electricity MUST be turned off at the MAIN FUSE BOX before installation of this luminaire; turning the power off using the light switch is not sufficient to prevent electrical shock.
- Luminaires weighing 50 lbs (25 lbs for surface wall) or more must be mounted directly to the building structure, independently of the electrical box; this installation should not be made on a radiant heat type ceiling.

- If a chain-and-canopy luminaire is provided of an individual grounding conductor (bare or insulated), this shall be interwoven through the chain from the luminaire to the canopy.
- If chain-and-canopy luminaire is provided of a SPT-1 power supply cord type, this shall interwoven through the chain from the luminaire to the canopy.
- The luminaire are not intended to support external weight other than provided glasses.

- WIRE CONNECTION CHART:

Connect Black or Red (Hot) House Wire to:	Connect White (Neutral) House Wire to:
Black (Hot)	White (Neutral)
Parallel cord (round and smooth)	Parallel cord (square or ridged)
Clear, Brown, Gold or Black without tracer	Clear, Brown, Gold or Black with tracer
Insulated wire (other than green) with copper conductor	Insulated wire (other than green) with silver conductor

- ELECTRICAL CONNECTION:

1 Attach grounding wire (green insulated or bare copper) from the supply circuit to the mounting bracket with the green ground attachment screw provided. Connect the grounding wire of the luminaire to the grounding conductor of the supply circuit. Attach all grounding conductors to the mounting bracket with the green ground wire attachment screw.

2 Referring to the Wire Connection Chart, connect the black and white wires.

CAUTION

No loose strands or loose connections should be present. Secure with U.L. certified wire connectors and electrical tape.

- FINAL INSTRUCTION:

- 1 Install light bulbs, refer to the relamping label located near the lampholder for recommended wattage. **DO NOT EXCEED THE RECOMMENDED WATTAGE.**
- 2 Restore electricity and check the operation of the luminaire.

In case of change of the article, not previously authorized, the UL Certification will be reinstated immediately.



NOTICE DE MONTAGE PLAFONNIERES INCANDESCENTS

ATTENTION

- Le montage doit être effectué par personnes compétentes selon le code d'installation en vigueur et les usages impliqués.
- La sûreté de l'installation est soumise au correct usage des instructions suivantes.

AVERTISSEMENT

- Avant d'effectuer chaque opération, couper le courant à la boîte du fusible principale. La mise hors tension grâce à l'interrupteur n'est pas suffisante pour prévenir les chocs électriques.
- Luminaires qui sont lourds 50 Lbs. Ou plus (25 Lbs. Pour appareil mur) doivent être montés directement à la structure du bâtiment, de façon indépendante de la boîte électrique; cette installation ne doit pas être fait sur un plafond avec systèmes de chauffages radiants.
- Dans le cas du luminaire avec chaîne et pavillon, il faut passé les câbles à travers les mailons de la chaîne, soit s'il est équipé avec un câble conducteur de mise à la terre individuelle (nu ou isolé), soit s'il est équipé avec un câble d'alimentation SPT-1.
- Les appareils ne devraient pas porte plus de poids que celle prévue pour les verres décoratif.

• TABLE CONNEXION CABLES.

Connecter le fil de la maison NOIR ou ROUGE (phase) avec:	Connecter le fil de la maison BLANC (neutre) avec:
Noir (Phase)	Blanc (neutre)
Fil parallèle (ronde et lisse)	Fil parallèle (carré ou striée)
Clair, Marron, Or ou Noir SANS traceur	Clair, Marron, or ou Noir AVEC traceur
Fil isolé (autre que Vert) avec conducteur Cuivre	Fil isolé (autre que Vert) avec conducteur Argent

• CONNEXIONS ÉLECTRIQUES

1. Fixez le fil de terre (vert isolé ou cuivre nu) du circuit d'alimentation au support de montage par la vis vert de fixation de terre fourni.
2. Connectez le fil de mise à la terre du luminaire au conducteur de mise à la terre du circuit d'alimentation. Fixez tous les conducteurs de terre au support de montage avec la vis vert de fixation.
3. Connectez les fils noir et blanc en référant à la table connexion câbles.

ATTENTION

Fil libre ou des connexions desserrées ne doivent pas être présents. Fixer avec des connecteurs de fils certifié UL et du ruban électrique.

• INSTALLATION FINALE

1. Installer des ampoules de puissance recommandée, reportez-vous à l'étiquette de remplacement de la lampe situé en proximité de la douille.
2. Ne pas dépasser la puissance recommandée.

AVERTISSEMENT

Instructions supplémentaires

Pour la fixation, utiliser les vis fournies et vérifier que le pavillon couvre complètement la boîte de sortie.

In case of changement d'article, pas autorisé précédemment, la certification UL, se termine immédiatement.



VITICCIO SILVER DOUBLE SCONCE #66636H406

ARHAUS[®]
your home

parts enclosed:

- (B) Cross bar screws (2)
- (H) wire nuts (3)

important safety instructions:

1. We recommend installation by a licensed electrician.
2. To avoid the risk of fire, do not exceed the recommended wattage for this fixture.
wattage: 6 x 40 W
type of socket: E12

warnings:

1. Do not remove the lamp from its packaging by pulling on the power cord, as a bad connection may result.
2. To avoid the risk of fire, electrical shock, or personal injury, turn off lamp and allow it to cool prior to replacing light bulb.
3. Do not touch bulb when fixture is turned on or look directly at lit bulb.
4. Keep flammable materials away from lit bulb.

to assemble:

- Disassemble metal box cover(C) and cross bar(A) from back of the sconce.
- Attach the cross bar(A) to the electrical box using the cross bar screws (B).
- Attach the metal box cover (C) to the cross bar (A) using the metal box cover screws (D).
- Attach the box of the sconce (E) to the metal box cover (C) using the screws (F).

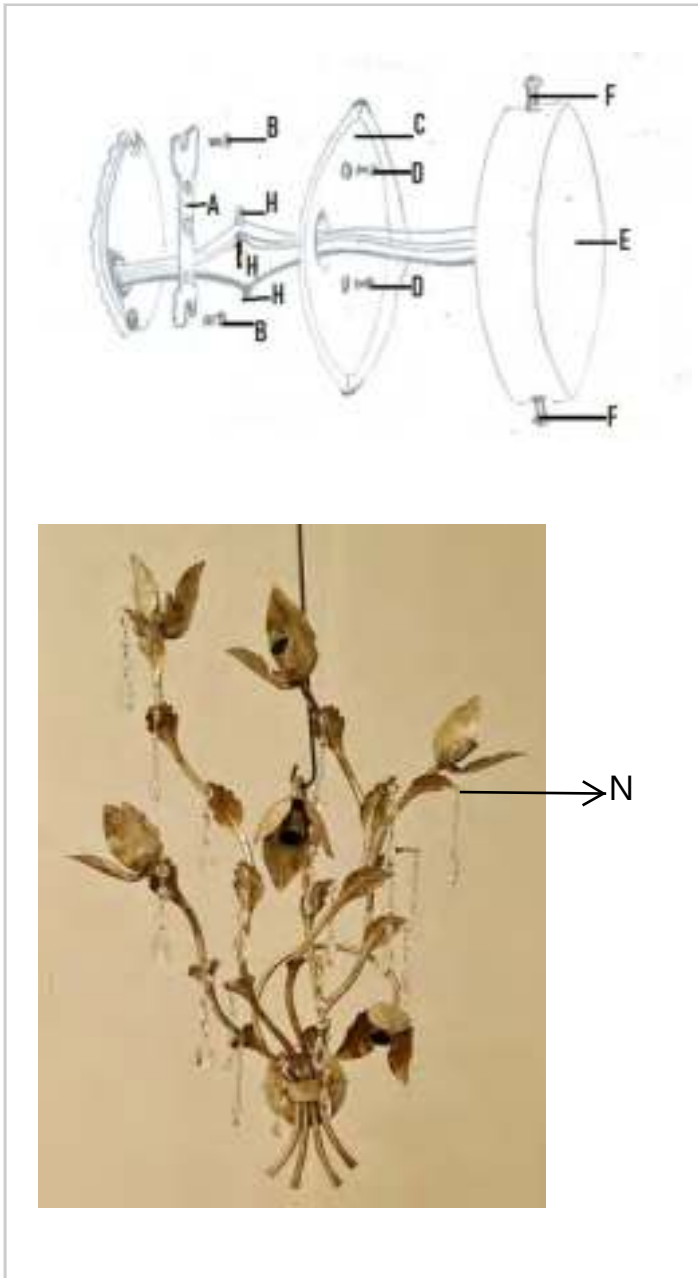
See back of the page for wiring connection details

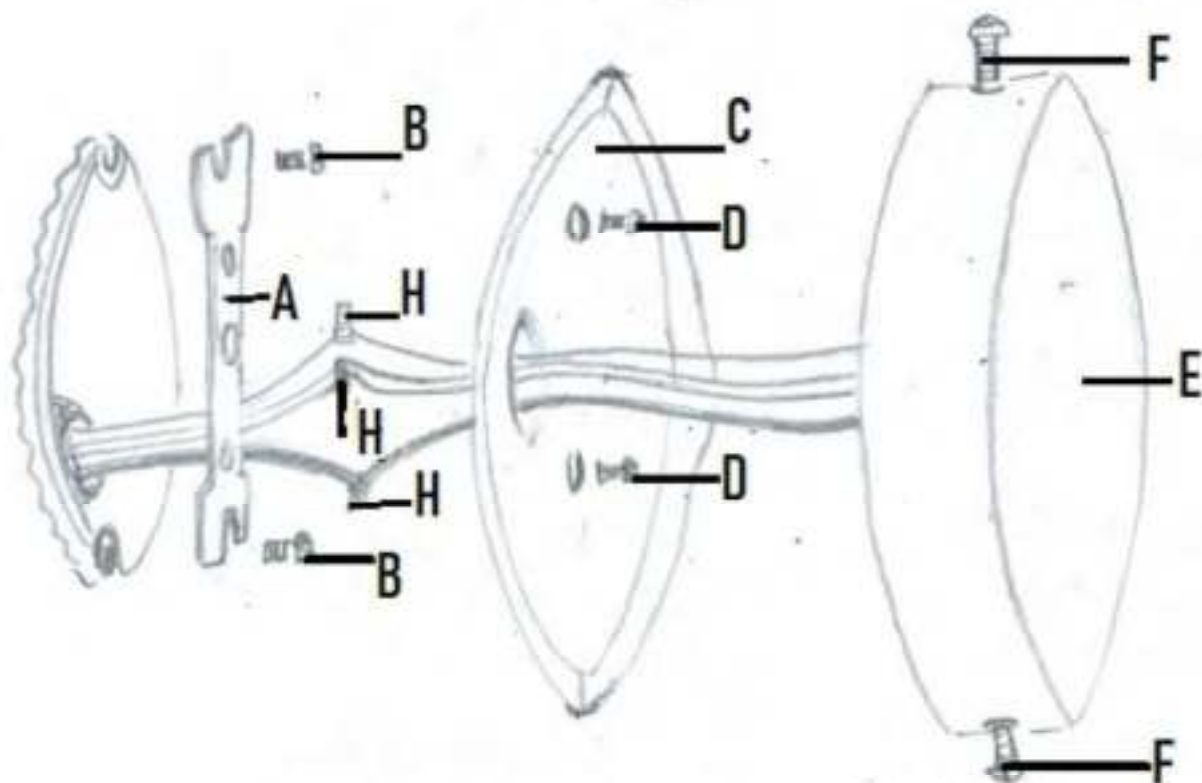
replacement parts assembly:

- To replace chain (N) insert wire clip into the hole on the iron frame. Twist the wire to close the loop and secure it in place.

care instructions:

Clean with dry soft cloth/brush only.
Do not use water/alcohol or any detergent.





INSTALLATION INSTRUCTIONS

INCANDESCENT SURFACE MOUNTED LUMINAIRES:

CAUTION

- A PERSON FAMILIAR WITH THE CONSTRUCTION AND OPERATION OF THE PRODUCT MUST INSTALL THIS PRODUCT IN ACCORDANCE WITH THE APPLICABLE INSTALLATION CODE AND THE HAZARDS INVOLVED.

WARNING

- The electricity **MUST** be turned off at the MAIN FUSE BOX before installation of this luminaire; turning the power off using the light switch is not sufficient to prevent electrical shock.
- Luminaires weighing 50 lbs (25 lbs for surface wall) or more must be mounted directly to the building structure, independently of the electrical box; this installation should not be made on a radiant heat type ceiling.

- If a chain-and-canopy luminaire is provided of an individual grounding conductor (bare or insulated), this shall be interwoven through the chain from the luminaire to the canopy.
- If chain-and-canopy luminaire is provided of a SPT-1 power supply cord type, this shall interwoven through the chain from the luminaire to the canopy.
- The luminaire are not intended to support external weight other than provided glasses.

WIRE CONNECTION CHART:

Connect Black or Red (Hot) House Wire to:	Connect White (Neutral) House Wire to:
Black (Hot)	White (Neutral)
Parallel cord (round and smooth)	Parallel cord (square or ridged)
Clear, Brown, Gold or Black without tracer	Clear, Brown, Gold or Black with tracer
Insulated wire (other than green) with copper conductor	Insulated wire (other than green) with silver conductor

ELECTRICAL CONNECTION:

1. Attach grounding wire (green insulated or bare copper) from the supply circuit to the mounting bracket with the green ground attachment screw provided. Connect the grounding wire of the luminaire to the grounding conductor of the supply circuit. Attach all grounding conductors to the mounting bracket with the green ground wire attachment screw.
2. Referring to the Wire Connection Chart, connect the black and white wires.

CAUTION

No loose strands or loose connections should be present. Secure with U.L. certified wire connectors and electrical tape.

FINAL INSTRUCTION:

1. Install light bulbs, refer to the relamping label located near the lampholder for recommended wattage. **DO NOT EXCEED THE RECOMMENDED WATTAGE.**
2. Restore electricity and check the operation of the luminaire.

In case of change of the article, not previously published, the U.L. Certification will be terminated immediately.

NOTICE DE MONTAGE PLAFONNIERES INCANDESCENTS

ATTENTION

- Le montage doit être effectué par personnes compétentes selon le code d'installation en vigueur et les risques impliqués.
- La sûreté de l'installation est soumise au correct usage des instructions suivantes.

AVERTISSEMENT

- Avant d'effectuer chaque opération, couper le courant à la boîte du fusible principale. La mise hors tension grâce à l'interrupteur n'est pas suffisante pour prévenir les chocs électriques.
- Luminaires qui sont lourds 50 Lbs. Ou plus (25 Lbs. Pour appareil mur) doivent être montés directement à la structure du bâtiment, de façon indépendante de la boîte électrique; cette installation ne doit pas être fait sur un plafond avec systèmes de chauffages radiants.
- Dans le cas du luminaire avec chaîne et pavoion, il faut passé les câbles à travers les maillons de la chaîne, soit s'il est équipé avec un câble conducteur de mise à la terre individuelle (nu ou isolé), soit s'il est équipé avec un câble d'alimentation SPT-1.
- Les appareils ne devraient pas porte plus de poids que celle prévue pour les verres décoratif.

TABLE CONNEXION CABLES

Connecter le fil de la maison NOIR ou ROUGE (phase) avec:	Connecter le fil de la maison BLANC (neutre) avec:
Noir (Phase)	Blanc (neutre)
Fil parallèle (ronde et lisse)	Fil parallèle (carré ou striée)
Clair, Marron, Or ou Noir SANS traceur	Clair, Marron, or ou Noir AVEC traceur
Fil isolé (autre que Vert) avec conducteur Cuivre	Fil isolé (autre que Vert) avec conducteur Argent

CONNEXIONS ÉLECTRIQUES

1. Fixez le fil de terre (vert isolé ou cuivre nu) du circuit d'alimentation au support de montage par la vis vert de fixation de terre fourni.
2. Connectez le fil de mise à la terre du luminaire au conducteur de mise à la terre du circuit d'alimentation. Fixez tous les conducteurs de terre au support de montage avec la vis vert de fixation.
3. Connectez les fils noir et blanc en référant à la table connexion câbles.

ATTENTION

Fil libre ou des connexions desserrées ne doivent pas être présents. Fixer avec des connecteurs de fils certifié UL, et du ruban électrique.

INSTALLATION FINALE

1. Installer des ampoules de puissance recommandée, reportez-vous à l'étiquette de remplacement de la lampe situé en proximité de la douille.
2. Ne pas dépasser la puissance recommandée.

AVERTISSEMENT

Instructions supplémentaires

Pour la fixation, utiliser les vis fournies et vérifier que le pavoion couvre complètement la boîte de sortie.

En cas de changement d'article, pas autorisé précédemment, la certification U.L. se terminera immédiatement.

VITICCIO 6LTS FLUSHMOUNT NEW GREY W/SILVER

ARHAUS[®]
your home

parts enclosed:

- (B) Cross bar screws (2)
- (H) wire nuts (3)

important safety instructions:

1. We recommend installation by a licensed electrician.
2. To avoid the risk of fire, do not exceed the recommended wattage for this fixture.
wattage: x 40W
type of socket: E12

warnings:

1. Do not remove the lamp from its packaging by pulling on the power cord, as a bad connection may result.
2. To avoid the risk of fire, electrical shock, or personal injury, turn off lamp and allow it to cool prior to replacing light bulb.
3. Do not touch bulb when fixture is turned on or look directly at lit bulb.
4. Keep flammable materials away from lit bulb.

to assemble:

- Disassemble metal box cover(C) and cross bar(A) from back of the flushmount.
- Attach the cross bar(A) to the electrical box using the cross bar screws (B).
- Attach the metal box cover (C) to the cross bar (A) using the metal box cover screws (D).
- Attach the box of the flushmount (E) to the metal box cover (C) using the screws (F).

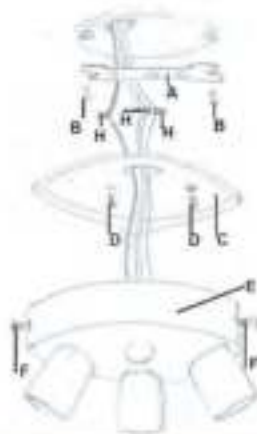
See back of the page for wiring connection details

replacement parts assembly:

- To replace chain (N) insert wire clip into the hole on the iron frame. Twist the wire to close the loop and secure it in place.
- To replace the finial glass sphere (O) screw the finial ball in the threaded part of the chandelier bottom.

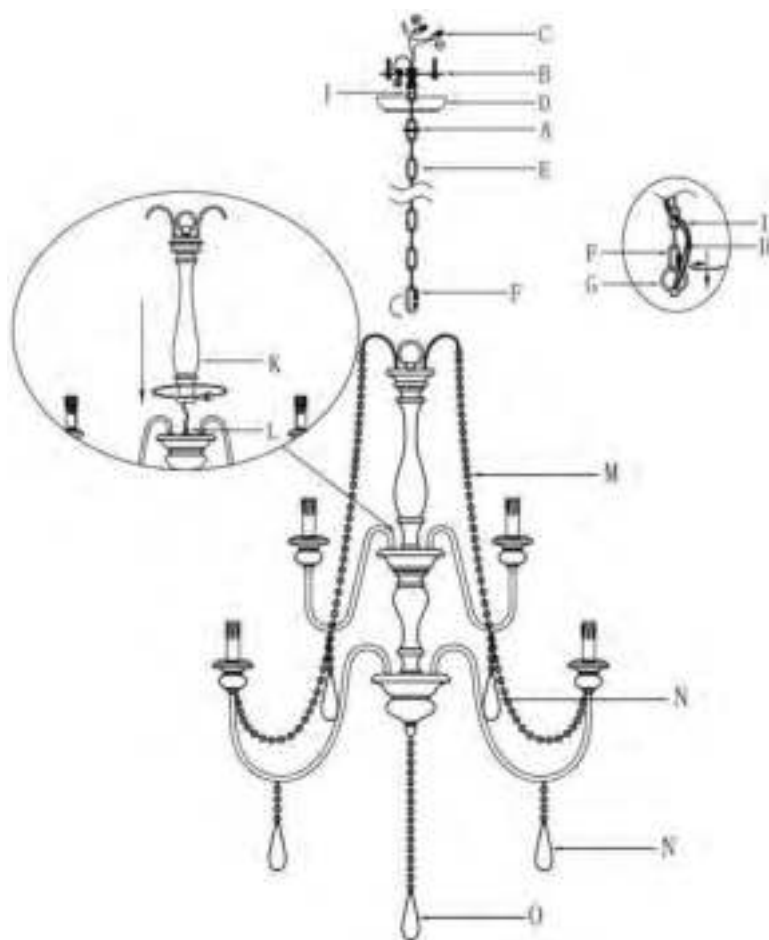
care instructions:

Clean with dry soft cloth/brush only.
Do not use water/alcohol or any detergent.



parts enclosed:

Part	Description	Qty.	Part	Description	Qty.
A	lock collar	1	I	naked earth cable	1
B	mounting bracket	1	J	ceiling loop	1
C	nipples	3	K	top part	1
D	canopy	1	L	screw nipple	1
E	chain	1	M	ornaments #M	8
F	open ring	1	N	ornaments #N	12
G	loop	1	O	ornaments #O	1
H	cable	1			



important safety instructions:

1. We recommend installation by a licensed electrician.
2. To avoid the risk of fire, do not exceed the recommended wattage for this fixture.

warnings:

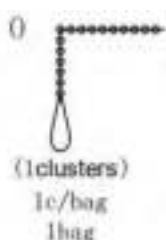
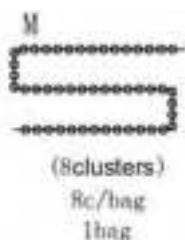
1. Do not remove the lamp from its packaging by pulling on the power cord, as a bad connection may result. To avoid the risk of fire, electrical shock, or personal injury, turn off lamp and allow it to cool prior to replacing light bulb.
3. Do not touch bulb when fixture is turned on or look directly at lit bulb.
4. Keep flammable materials away from lit bulb.

to assemble:

1. Carefully remove all parts from the box.
2. Remove the mounting bracket (B) from the canopy (D) by loosening the lock collar (A).
3. Install the top part (K) on the screw nipple (L).
4. Taking off the open ring (F) and use the dimensions of the fixture as a guide, shorten the chain (E) as needed using a pair of chain pliers.
5. Use the open ring (F) to link the chain (E) and the loop (G), then put the cable (H) and naked earth cable (I) through the chain (E) in every 3-4 rings until through the ceiling loop (J).
6. INSURE THE ELECTRICITY SUPPLY IS TURNED OFF.
7. Affix the mounting bracket (B) on the outlet box.
8. Wrap both safety cable with nipples (C), push the cable into the outlet box.
9. Attach the canopy (D) to the mounting bracket (B) and secure with lock collar (A).
10. Install the ornaments (M) / (N) / (O) in the right places according to the illustration.
11. Install the bulbs on the sockets.
12. Installation is complete, turn on power at fuse or circuit breaker.

care instructions:

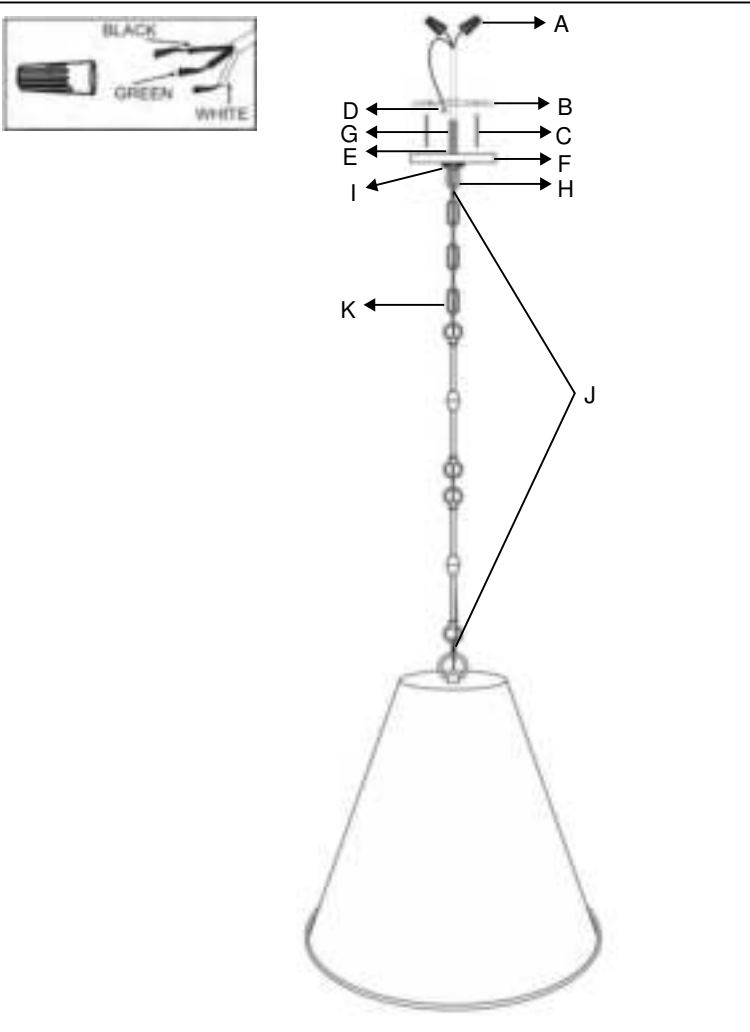
Clean with a dry, soft cloth only. Use no harsh abrasives or chemical agents.



WATLEY 12" BRASS CONE PENDANT

PARTS ENCLOSED:

- A. Wire Connectors (2)
- B. Mounting Plate (1)
- C. Mounting Screws (2)
- D. Green Ground Screw (1)
- E. Hex Nut (1)
- F. Canopy (1)
- G. Threaded Tube (1)
- H. Screw Collar With Loop (1)
- I. Lock Ring (1)
- J. Removable Link (2)
- K. Chain (1)



14. Insert Bulb A19 Do not exceed specified wattage.
15. Restore power to the outlet box and check operation of fixture.

CARE INSTRUCTIONS:

Do not polishes or cleaners on your lamp. Just wipe with soft, lint free cloth.

IMPORTANT SAFETY INSTRUCTIONS:

1. To avoid the risk of fire, do not exceed the recommended wattage for this fixture.

UL NO: E491659 UL RATING: DRY, MAX BULB WATTAGE: 60 W
CONVERSION TO MAX LED WATTAGE: 12 W
BULB: 1 X A-19 (NOT INCLUDED)

WARNINGS:

1. Hardwiring carries a risk of electric shock or electrocution. Failure to follow the instructions below could lead to severe injury or death.
2. Before hardwiring your lamp, shut off the electrical supply from the main fuse box or circuit breaker. Check to make sure all parts are included. If any part is broken or missing, do not attempt to install the fixture.
3. All electrical wiring must be in accordance with national, state, and local electrical codes. If you are unfamiliar with wiring, use a licensed electrician.

ASSEMBLY & INSTALLATION:

⚠ SHUT OFF THE MAIN ELECTRICAL SUPPLY FROM THE FUSE BOX OR CIRCUIT BREAKER PANEL

For your safety and convenience, assembly by two people is recommended.

1. Attach the Mounting Plate (B) to the ceiling outlet box using the enclosed Mounting Screws (C) and tighten with a screwdriver. The Green Ground Screw (D) should face the floor.
2. Remove the Threaded Tube (G) from the Screw Collar with Loop (H). Screw the Threaded Tube (G) into the Mounting Plate (B) fully.
3. Place the Canopy (F) over the Screw Collar with Loop (H) and screw into the Threaded Tube (G). Adjust the Threaded Tube (G) so that 1/4" of threading on the Screw Collar with Loop (H) extends beyond the Canopy (F).
4. Remove the Canopy (F) and Screw Collar with Loop (H) from the Threaded Tube (G). Fix the Threaded Tube (G) by tightening the Hex Nut (E) to sit flush against the Mounting Plate (B).
5. Thread the Screw Collar with Loop (H) back into the Threaded Tube (G). Install Canopy (F) by tightening the Lock Ring (I) on the Screw Collar with Loop (H).

⚠ IT IS IMPERATIVE THAT THE OUTLET BOX IN YOUR HOME BE PROPERLY GROUNDED

6. Open Removable Link (J) to attach Chain (K) to the Screw Collar with Loop (H). Open second Removable Link (J) to attach fixture to the Chain (K). Adjust Chain (K) length if necessary.
7. Unscrew the Lock Ring (I) from the Screw Collar with Loop (H). Allow the Lock Ring (I) and Canopy (F) to slide down the Chain (K) to the fixture body.
8. Thread wires through fixture. Carefully inspect the fixtures wires. The neutral fixture wire is white. The hot fixture wire is black. The ground wire is green.
9. Gently pull the wiring down from the ceiling junction box and allow it to hang.
10. Attach the ground wire from the fixture to the ground junction box wire from the ceiling box (usually green) using a Wire Connector (A) and wrap the connection with electrical tape. Be sure that no wire strands are exposed. If your ceiling box does not have a ground wire, insert the Green Ground Screw (D) into the Mounting Plate (B) facing down, and wrap the fixture's ground wire around the ground screw.
11. Connect the neutral fixture wire to the neutral junction box wire. Fasten each together with a Wire Connector (A) and wrap the connection with electrical tape. Be sure that no wire strands are exposed.
12. Connect the hot fixture wire to the hot junction box wire. Fasten each together with a Wire Connector (A) and wrap the connection with

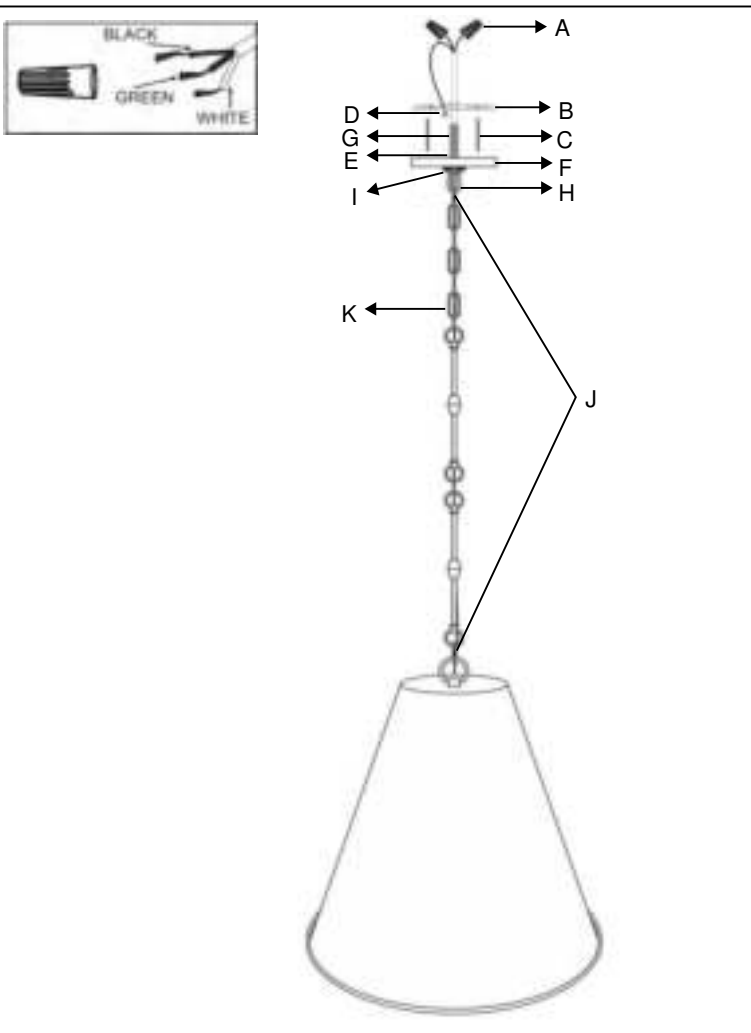
⚠ DO NOT REVERSE THE HOT AND NEUTRAL CONNECTIONS OR SAFETY WILL BE COMPROMISED

13. After all connection are made, tuck all wiring into the ceiling junction box. Cover the ceiling junction box with the Canopy (F), then lock with the Lock Ring (I).

WATLEY 12" BRONZE CONE PENDANT

PARTS ENCLOSED:

- A. Wire Connectors (2)
- B. Mounting Plate (1)
- C. Mounting Screws (2)
- D. Green Ground Screw (1)
- E. Hex Nut (1)
- F. Canopy (1)
- G. Threaded Tube (1)
- H. Screw Collar With Loop (1)
- I. Lock Ring (1)
- J. Removable Link (2)
- K. Chain (1)



14. Insert Bulb A19 Do not exceed specified wattage.
15. Restore power to the outlet box and check operation of fixture.

CARE INSTRUCTIONS:

Do not polishes or cleaners on your lamp. Just wipe with soft, lint free cloth.

IMPORTANT SAFETY INSTRUCTIONS:

1. To avoid the risk of fire, do not exceed the recommended wattage for this fixture.

UL NO: E491659 UL RATING: DRY, MAX BULB WATTAGE: 60 W
CONVERSION TO MAX LED WATTAGE: 12 W
BULB: 1 X A-19 (NOT INCLUDED)

WARNINGS:

1. Hardwiring carries a risk of electric shock or electrocution. Failure to follow the instructions below could lead to severe injury or death.
2. Before hardwiring your lamp, shut off the electrical supply from the main fuse box or circuit breaker. Check to make sure all parts are included. If any part is broken or missing, do not attempt to install the fixture.
3. All electrical wiring must be in accordance with national, state, and local electrical codes. If you are unfamiliar with wiring, use a licensed electrician.

ASSEMBLY & INSTALLATION:

⚠ SHUT OFF THE MAIN ELECTRICAL SUPPLY FROM THE FUSE BOX OR CIRCUIT BREAKER PANEL

For your safety and convenience, assembly by two people is recommended.

1. Attach the Mounting Plate (B) to the ceiling outlet box using the enclosed Mounting Screws (C) and tighten with a screwdriver. The Green Ground Screw (D) should face the floor.
2. Remove the Threaded Tube (G) from the Screw Collar with Loop (H). Screw the Threaded Tube (G) into the Mounting Plate (B) fully.
3. Place the Canopy (F) over the Screw Collar with Loop (H) and screw into the Threaded Tube (G). Adjust the Threaded Tube (G) so that 1/4" of threading on the Screw Collar with Loop (H) extends beyond the Canopy (F).
4. Remove the Canopy (F) and Screw Collar with Loop (H) from the Threaded Tube (G). Fix the Threaded Tube (G) by tightening the Hex Nut (E) to sit flush against the Mounting Plate (B).
5. Thread the Screw Collar with Loop (H) back into the Threaded Tube (G). Install Canopy (F) by tightening the Lock Ring (I) on the Screw Collar with Loop (H).

⚠ IT IS IMPERATIVE THAT THE OUTLET BOX IN YOUR HOME BE PROPERLY GROUNDED

6. Open Removable Link (J) to attach Chain (K) to the Screw Collar with Loop (H). Open second Removable Link (J) to attach fixture to the Chain (K). Adjust Chain (K) length if necessary.
7. Unscrew the Lock Ring (I) from the Screw Collar with Loop (H). Allow the Lock Ring (I) and Canopy (F) to slide down the Chain (K) to the fixture body.
8. Thread wires through fixture. Carefully inspect the fixtures wires. The neutral fixture wire is white. The hot fixture wire is black. The ground wire is green.
9. Gently pull the wiring down from the ceiling junction box and allow it to hang.
10. Attach the ground wire from the fixture to the ground junction box wire from the ceiling box (usually green) using a Wire Connector (A) and wrap the connection with electrical tape. Be sure that no wire strands are exposed. If your ceiling box does not have a ground wire, insert the Green Ground Screw (D) into the Mounting Plate (B) facing down, and wrap the fixture's ground wire around the ground screw.
11. Connect the neutral fixture wire to the neutral junction box wire. Fasten each together with a Wire Connector (A) and wrap the connection with electrical tape. Be sure that no wire strands are exposed.
12. Connect the hot fixture wire to the hot junction box wire. Fasten each together with a Wire Connector (A) and wrap the connection with

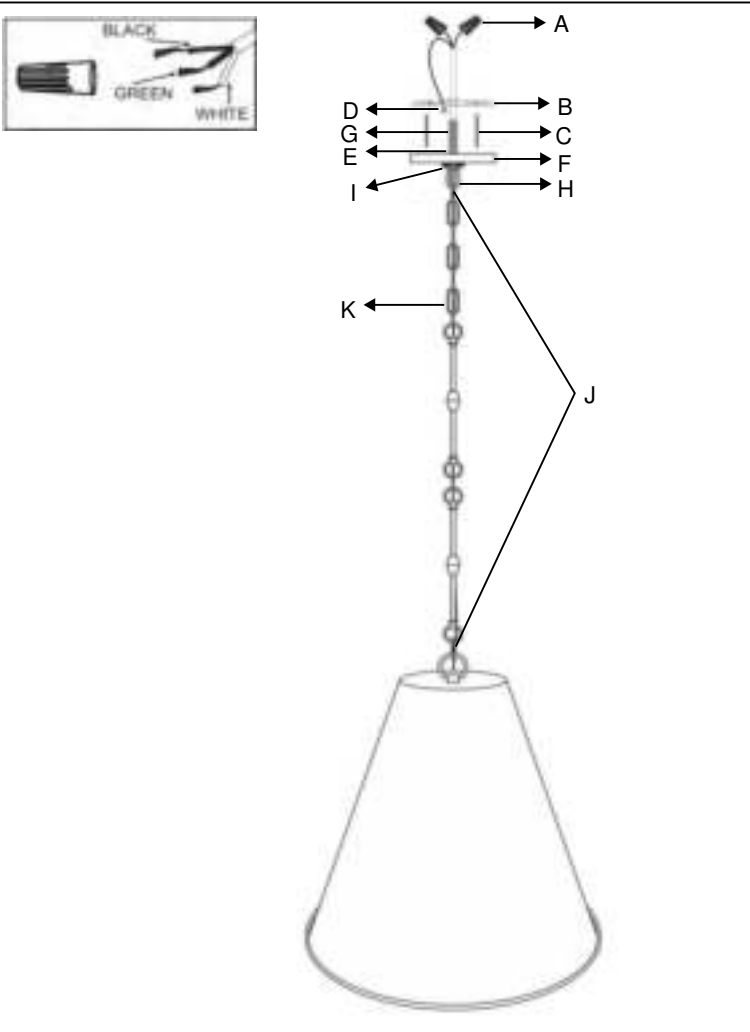
⚠ DO NOT REVERSE THE HOT AND NEUTRAL CONNECTIONS OR SAFETY WILL BE COMPROMISED

13. After all connection are made, tuck all wiring into the ceiling junction box. Cover the ceiling junction box with the Canopy (F), then lock with the Lock Ring (I).

WATLEY 12" WHITE CONE PENDANT

PARTS ENCLOSED:

- A. Wire Connectors (2)
- B. Mounting Plate (1)
- C. Mounting Screws (2)
- D. Green Ground Screw (1)
- E. Hex Nut (1)
- F. Canopy (1)
- G. Threaded Tube (1)
- H. Screw Collar With Loop (1)
- I. Lock Ring (1)
- J. Removable Link (2)
- K. Chain (1)



14. Insert Bulb A19 Do not exceed specified wattage.
15. Restore power to the outlet box and check operation of fixture.

CARE INSTRUCTIONS:

Do not polishes or cleaners on your lamp. Just wipe with soft, lint free cloth.

IMPORTANT SAFETY INSTRUCTIONS:

1. To avoid the risk of fire, do not exceed the recommended wattage for this fixture.

UL NO: E491659 UL RATING: DRY, MAX BULB WATTAGE: 60 W
 CONVERSION TO MAX LED WATTAGE: 12 W
 BULB: 1 X A-19 (NOT INCLUDED)

WARNINGS:

1. Hardwiring carries a risk of electric shock or electrocution. Failure to follow the instructions below could lead to severe injury or death.
2. Before hardwiring your lamp, shut off the electrical supply from the main fuse box or circuit breaker. Check to make sure all parts are included. If any part is broken or missing, do not attempt to install the fixture.
3. All electrical wiring must be in accordance with national, state, and local electrical codes. If you are unfamiliar with wiring, use a licensed electrician.

ASSEMBLY & INSTALLATION:**SHUT OFF THE MAIN ELECTRICAL SUPPLY FROM THE FUSE BOX OR CIRCUIT BREAKER PANEL**

For your safety and convenience, assembly by two people is recommended.

1. Attach the Mounting Plate (B) to the ceiling outlet box using the enclosed Mounting Screws (C) and tighten with a screwdriver. The Green Ground Screw (D) should face the floor.
2. Remove the Threaded Tube (G) from the Screw Collar with Loop (H). Screw the Threaded Tube (G) into the Mounting Plate (B) fully.
3. Place the Canopy (F) over the Screw Collar with Loop (H) and screw into the Threaded Tube (G). Adjust the Threaded Tube (G) so that 1/4" of threading on the Screw Collar with Loop (H) extends beyond the Canopy (F).
4. Remove the Canopy (F) and Screw Collar with Loop (H) from the Threaded Tube (G). Fix the Threaded Tube (G) by tightening the Hex Nut (E) to sit flush against the Mounting Plate (B).
5. Thread the Screw Collar with Loop (H) back into the Threaded Tube (G). Install Canopy (F) by tightening the Lock Ring (I) on the Screw Collar with Loop (H).

**IT IS IMPERATIVE THAT THE OUTLET BOX IN YOUR HOME BE PROPERLY GROUNDED**

6. Open Removable Link (J) to attach Chain (K) to the Screw Collar with Loop (H). Open second Removable Link (J) to attach fixture to the Chain (K). Adjust Chain (K) length if necessary.
7. Unscrew the Lock Ring (I) from the Screw Collar with Loop (H). Allow the Lock Ring (I) and Canopy (F) to slide down the Chain (K) to the fixture body.
8. Thread wires through fixture. Carefully inspect the fixtures wires. The neutral fixture wire is white. The hot fixture wire is black. The ground wire is green.
9. Gently pull the wiring down from the ceiling junction box and allow it to hang.
10. Attach the ground wire from the fixture to the ground junction box wire from the ceiling box (usually green) using a Wire Connector (A) and wrap the connection with electrical tape. Be sure that no wire strands are exposed. If your ceiling box does not have a ground wire, insert the Green Ground Screw (D) into the Mounting Plate (B) facing down, and wrap the fixture's ground wire around the ground screw.
11. Connect the neutral fixture wire to the neutral junction box wire. Fasten each together with a Wire Connector (A) and wrap the connection with electrical tape. Be sure that no wire strands are exposed.
12. Connect the hot fixture wire to the hot junction box wire. Fasten each together with a Wire Connector (A) and wrap the connection with

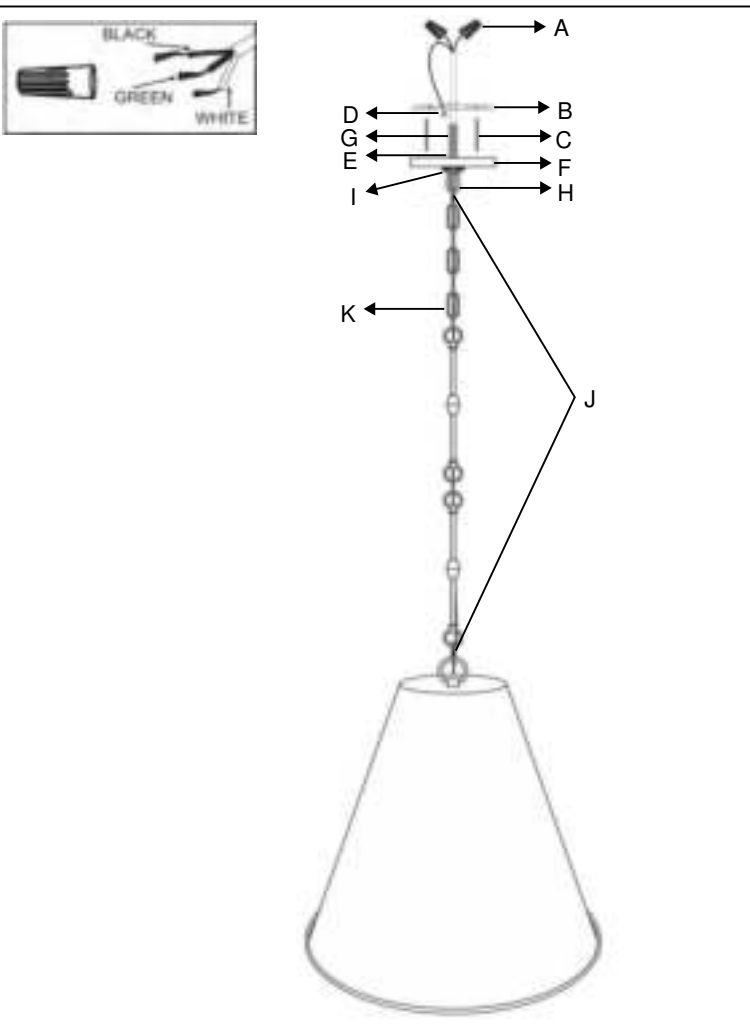
**DO NOT REVERSE THE HOT AND NEUTRAL CONNECTIONS OR SAFETY WILL BE COMPROMISED**

13. After all connection are made, tuck all wiring into the ceiling junction box. Cover the ceiling junction box with the Canopy (F), then lock with the Lock Ring (I).

WATLEY 22" BRASS CONE PENDANT

PARTS ENCLOSED:

- A. Wire Connectors (2)
- B. Mounting Plate (1)
- C. Mounting Screws (2)
- D. Green Ground Screw (1)
- E. Hex Nut (1)
- F. Canopy (1)
- G. Threaded Tube (1)
- H. Screw Collar With Loop (1)
- I. Lock Ring (1)
- J. Removable Link (2)
- K. Chain (1)



14. Insert Bulb A19 Do not exceed specified wattage.
15. Restore power to the outlet box and check operation of fixture.

CARE INSTRUCTIONS:

Do not polishes or cleaners on your lamp. Just wipe with soft, lint free cloth.

IMPORTANT SAFETY INSTRUCTIONS:

1. To avoid the risk of fire, do not exceed the recommended wattage for this fixture.

UL NO: E491659 UL RATING: DRY, MAX BULB WATTAGE: 60 W
CONVERSION TO MAX LED WATTAGE: 12 W
BULB: 1 X A-19 (NOT INCLUDED)

WARNINGS:

1. Hardwiring carries a risk of electric shock or electrocution. Failure to follow the instructions below could lead to severe injury or death.
2. Before hardwiring your lamp, shut off the electrical supply from the main fuse box or circuit breaker. Check to make sure all parts are included. If any part is broken or missing, do not attempt to install the fixture.
3. All electrical wiring must be in accordance with national, state, and local electrical codes. If you are unfamiliar with wiring, use a licensed electrician.

ASSEMBLY & INSTALLATION:

⚠ SHUT OFF THE MAIN ELECTRICAL SUPPLY FROM THE FUSE BOX OR CIRCUIT BREAKER PANEL

For your safety and convenience, assembly by two people is recommended.

1. Attach the Mounting Plate (B) to the ceiling outlet box using the enclosed Mounting Screws (C) and tighten with a screwdriver. The Green Ground Screw (D) should face the floor.
2. Remove the Threaded Tube (G) from the Screw Collar with Loop (H). Screw the Threaded Tube (G) into the Mounting Plate (B) fully.
3. Place the Canopy (F) over the Screw Collar with Loop (H) and screw into the Threaded Tube (G). Adjust the Threaded Tube (G) so that 1/4" of threading on the Screw Collar with Loop (H) extends beyond the Canopy (F).
4. Remove the Canopy (F) and Screw Collar with Loop (H) from the Threaded Tube (G). Fix the Threaded Tube (G) by tightening the Hex Nut (E) to sit flush against the Mounting Plate (B).
5. Thread the Screw Collar with Loop (H) back into the Threaded Tube (G). Install Canopy (F) by tightening the Lock Ring (I) on the Screw Collar with Loop (H).

⚠ IT IS IMPERATIVE THAT THE OUTLET BOX IN YOUR HOME BE PROPERLY GROUNDED

6. Open Removable Link (J) to attach Chain (K) to the Screw Collar with Loop (H). Open second Removable Link (J) to attach fixture to the Chain (K). Adjust Chain (K) length if necessary.
7. Unscrew the Lock Ring (I) from the Screw Collar with Loop (H). Allow the Lock Ring (I) and Canopy (F) to slide down the Chain (K) to the fixture body.
8. Thread wires through fixture. Carefully inspect the fixtures wires. The neutral fixture wire is white. The hot fixture wire is black. The ground wire is green.
9. Gently pull the wiring down from the ceiling junction box and allow it to hang.
10. Attach the ground wire from the fixture to the ground junction box wire from the ceiling box (usually green) using a Wire Connector (A) and wrap the connection with electrical tape. Be sure that no wire strands are exposed. If your ceiling box does not have a ground wire, insert the Green Ground Screw (D) into the Mounting Plate (B) facing down, and wrap the fixture's ground wire around the ground screw.
11. Connect the neutral fixture wire to the neutral junction box wire. Fasten each together with a Wire Connector (A) and wrap the connection with electrical tape. Be sure that no wire strands are exposed.
12. Connect the hot fixture wire to the hot junction box wire. Fasten each together with a Wire Connector (A) and wrap the connection with

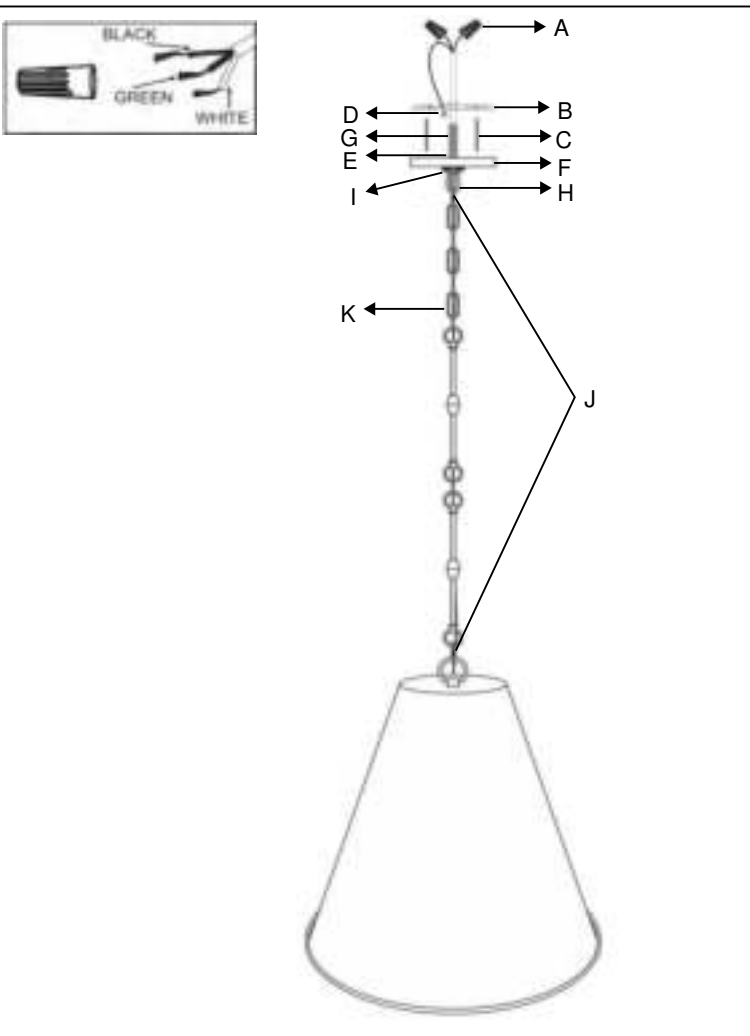
⚠ DO NOT REVERSE THE HOT AND NEUTRAL CONNECTIONS OR SAFETY WILL BE COMPROMISED

13. After all connection are made, tuck all wiring into the ceiling junction box. Cover the ceiling junction box with the Canopy (F), then lock with the Lock Ring (I).

WATLEY 22" BRONZE CONE PENDANT

PARTS ENCLOSED:

- A. Wire Connectors (2)
- B. Mounting Plate (1)
- C. Mounting Screws (2)
- D. Green Ground Screw (1)
- E. Hex Nut (1)
- F. Canopy (1)
- G. Threaded Tube (1)
- H. Screw Collar With Loop (1)
- I. Lock Ring (1)
- J. Removable Link (2)
- K. Chain (1)



14. Insert Bulb A19 Do not exceed specified wattage.
15. Restore power to the outlet box and check operation of fixture.

CARE INSTRUCTIONS:

Do not polishes or cleaners on your lamp. Just wipe with soft, lint free cloth.

IMPORTANT SAFETY INSTRUCTIONS:

1. To avoid the risk of fire, do not exceed the recommended wattage for this fixture.

UL NO: E491659 UL RATING: DRY, MAX BULB WATTAGE: 60 W
CONVERSION TO MAX LED WATTAGE: 12 W
BULB: 1 X A-19 (NOT INCLUDED)

WARNINGS:

1. Hardwiring carries a risk of electric shock or electrocution. Failure to follow the instructions below could lead to severe injury or death.
2. Before hardwiring your lamp, shut off the electrical supply from the main fuse box or circuit breaker. Check to make sure all parts are included. If any part is broken or missing, do not attempt to install the fixture.
3. All electrical wiring must be in accordance with national, state, and local electrical codes. If you are unfamiliar with wiring, use a licensed electrician.

ASSEMBLY & INSTALLATION:

⚠ SHUT OFF THE MAIN ELECTRICAL SUPPLY FROM THE FUSE BOX OR CIRCUIT BREAKER PANEL

For your safety and convenience, assembly by two people is recommended.

1. Attach the Mounting Plate (B) to the ceiling outlet box using the enclosed Mounting Screws (C) and tighten with a screwdriver. The Green Ground Screw (D) should face the floor.
2. Remove the Threaded Tube (G) from the Screw Collar with Loop (H). Screw the Threaded Tube (G) into the Mounting Plate (B) fully.
3. Place the Canopy (F) over the Screw Collar with Loop (H) and screw into the Threaded Tube (G). Adjust the Threaded Tube (G) so that 1/4" of threading on the Screw Collar with Loop (H) extends beyond the Canopy (F).
4. Remove the Canopy (F) and Screw Collar with Loop (H) from the Threaded Tube (G). Fix the Threaded Tube (G) by tightening the Hex Nut (E) to sit flush against the Mounting Plate (B).
5. Thread the Screw Collar with Loop (H) back into the Threaded Tube (G). Install Canopy (F) by tightening the Lock Ring (I) on the Screw Collar with Loop (H).

⚠ IT IS IMPERATIVE THAT THE OUTLET BOX IN YOUR HOME BE PROPERLY GROUNDED

6. Open Removable Link (J) to attach Chain (K) to the Screw Collar with Loop (H). Open second Removable Link (J) to attach fixture to the Chain (K). Adjust Chain (K) length if necessary.
7. Unscrew the Lock Ring (I) from the Screw Collar with Loop (H). Allow the Lock Ring (I) and Canopy (F) to slide down the Chain (K) to the fixture body.
8. Thread wires through fixture. Carefully inspect the fixtures wires. The neutral fixture wire is white. The hot fixture wire is black. The ground wire is green.
9. Gently pull the wiring down from the ceiling junction box and allow it to hang.
10. Attach the ground wire from the fixture to the ground junction box wire from the ceiling box (usually green) using a Wire Connector (A) and wrap the connection with electrical tape. Be sure that no wire strands are exposed. If your ceiling box does not have a ground wire, insert the Green Ground Screw (D) into the Mounting Plate (B) facing down, and wrap the fixture's ground wire around the ground screw.
11. Connect the neutral fixture wire to the neutral junction box wire. Fasten each together with a Wire Connector (A) and wrap the connection with electrical tape. Be sure that no wire strands are exposed.
12. Connect the hot fixture wire to the hot junction box wire. Fasten each together with a Wire Connector (A) and wrap the connection with

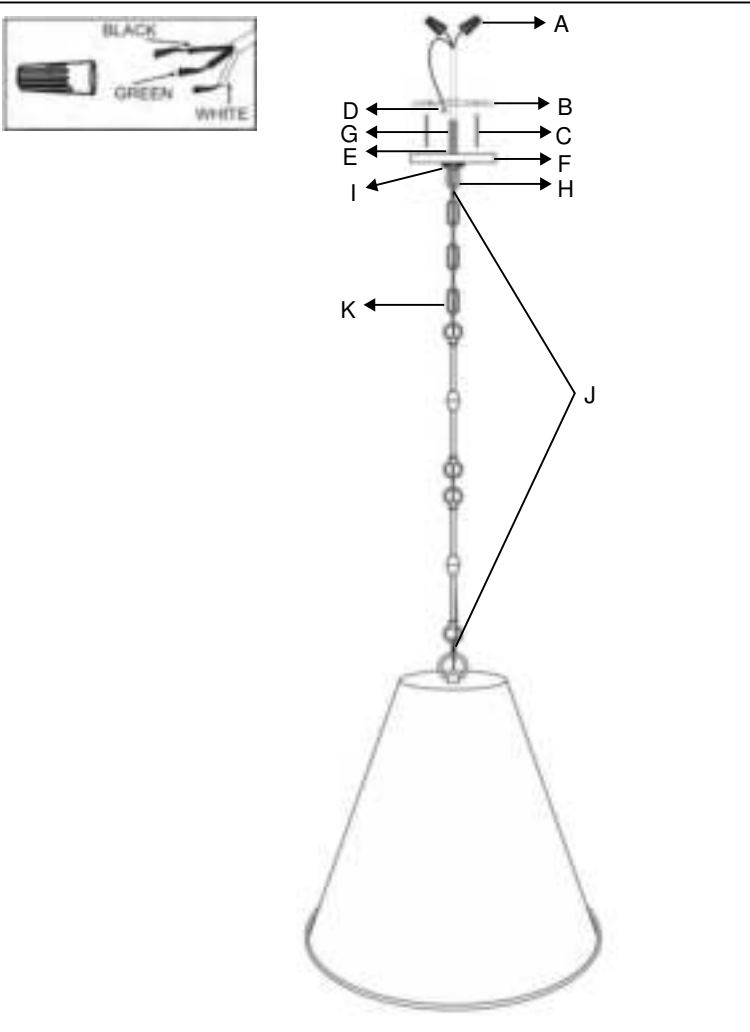
⚠ DO NOT REVERSE THE HOT AND NEUTRAL CONNECTIONS OR SAFETY WILL BE COMPROMISED

13. After all connection are made, tuck all wiring into the ceiling junction box. Cover the ceiling junction box with the Canopy (F), then lock with the Lock Ring (I).

WATLEY 22" WHITE CONE PENDANT

PARTS ENCLOSED:

- A. Wire Connectors (2)
- B. Mounting Plate (1)
- C. Mounting Screws (2)
- D. Green Ground Screw (1)
- E. Hex Nut (1)
- F. Canopy (1)
- G. Threaded Tube (1)
- H. Screw Collar With Loop (1)
- I. Lock Ring (1)
- J. Removable Link (2)
- K. Chain (1)



14. Insert Bulb A19 Do not exceed specified wattage.
15. Restore power to the outlet box and check operation of fixture.

CARE INSTRUCTIONS:

Do not polishes or cleaners on your lamp. Just wipe with soft, lint free cloth.

IMPORTANT SAFETY INSTRUCTIONS:

1. To avoid the risk of fire, do not exceed the recommended wattage for this fixture.

UL NO: E491659 UL RATING: DRY, MAX BULB WATTAGE: 60 W
CONVERSION TO MAX LED WATTAGE: 12 W
BULB: 1 X A-19 (NOT INCLUDED)

WARNINGS:

1. Hardwiring carries a risk of electric shock or electrocution. Failure to follow the instructions below could lead to severe injury or death.
2. Before hardwiring your lamp, shut off the electrical supply from the main fuse box or circuit breaker. Check to make sure all parts are included. If any part is broken or missing, do not attempt to install the fixture.
3. All electrical wiring must be in accordance with national, state, and local electrical codes. If you are unfamiliar with wiring, use a licensed electrician.

ASSEMBLY & INSTALLATION:**SHUT OFF THE MAIN ELECTRICAL SUPPLY FROM THE FUSE BOX OR CIRCUIT BREAKER PANEL**

For your safety and convenience, assembly by two people is recommended.

1. Attach the Mounting Plate (B) to the ceiling outlet box using the enclosed Mounting Screws (C) and tighten with a screwdriver. The Green Ground Screw (D) should face the floor.
2. Remove the Threaded Tube (G) from the Screw Collar with Loop (H). Screw the Threaded Tube (G) into the Mounting Plate (B) fully.
3. Place the Canopy (F) over the Screw Collar with Loop (H) and screw into the Threaded Tube (G). Adjust the Threaded Tube (G) so that 1/4" of threading on the Screw Collar with Loop (H) extends beyond the Canopy (F).
4. Remove the Canopy (F) and Screw Collar with Loop (H) from the Threaded Tube (G). Fix the Threaded Tube (G) by tightening the Hex Nut (E) to sit flush against the Mounting Plate (B).
5. Thread the Screw Collar with Loop (H) back into the Threaded Tube (G). Install Canopy (F) by tightening the Lock Ring (I) on the Screw Collar with Loop (H).

**IT IS IMPERATIVE THAT THE OUTLET BOX IN YOUR HOME BE PROPERLY GROUNDED**

6. Open Removable Link (J) to attach Chain (K) to the Screw Collar with Loop (H). Open second Removable Link (J) to attach fixture to the Chain (K). Adjust Chain (K) length if necessary.
7. Unscrew the Lock Ring (I) from the Screw Collar with Loop (H). Allow the Lock Ring (I) and Canopy (F) to slide down the Chain (K) to the fixture body.
8. Thread wires through fixture. Carefully inspect the fixtures wires. The neutral fixture wire is white. The hot fixture wire is black. The ground wire is green.
9. Gently pull the wiring down from the ceiling junction box and allow it to hang.
10. Attach the ground wire from the fixture to the ground junction box wire from the ceiling box (usually green) using a Wire Connector (A) and wrap the connection with electrical tape. Be sure that no wire strands are exposed. If your ceiling box does not have a ground wire, insert the Green Ground Screw (D) into the Mounting Plate (B) facing down, and wrap the fixture's ground wire around the ground screw.
11. Connect the neutral fixture wire to the neutral junction box wire. Fasten each together with a Wire Connector (A) and wrap the connection with electrical tape. Be sure that no wire strands are exposed.
12. Connect the hot fixture wire to the hot junction box wire. Fasten each together with a Wire Connector (A) and wrap the connection with

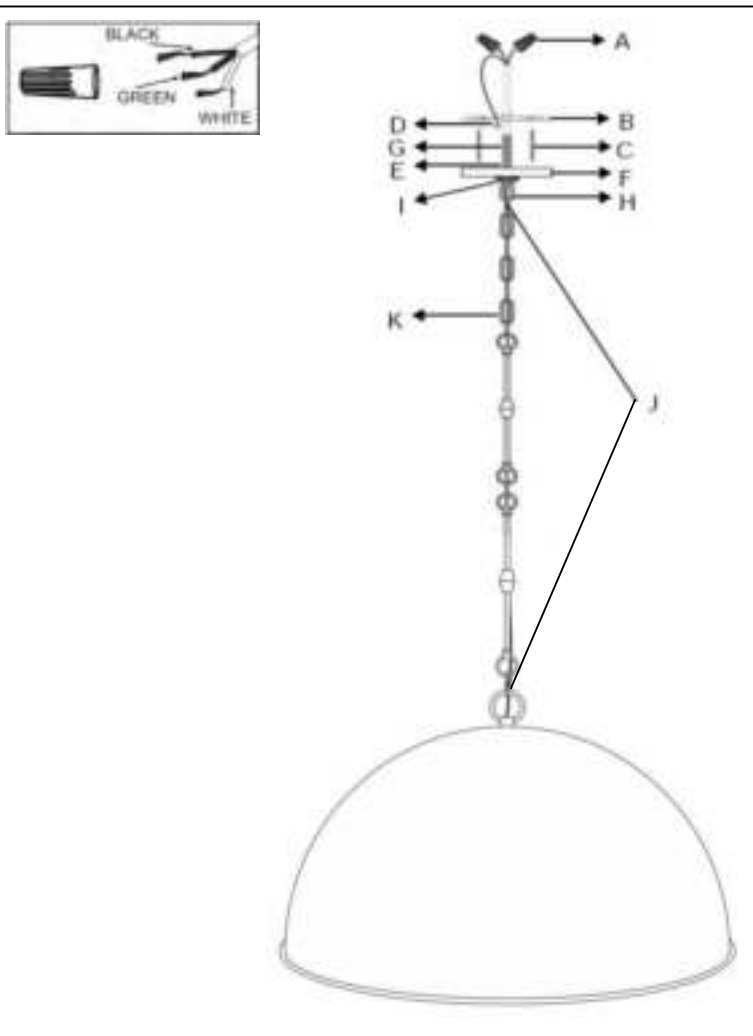
**DO NOT REVERSE THE HOT AND NEUTRAL CONNECTIONS OR SAFETY WILL BE COMPROMISED**

13. After all connection are made, tuck all wiring into the ceiling junction box. Cover the ceiling junction box with the Canopy (F), then lock with the Lock Ring (I).

WATLEY 24" BRASS DOME PENDANT

PARTS ENCLOSED:

- A. Wire Connectors (2)
- B. Mounting Plate (1)
- C. Mounting Screws (2)
- D. Green Ground Screw (1)
- E. Hex Nut (1)
- F. Canopy (1)
- G. Threaded Tube (1)
- H. Screw Collar With Loop (1)
- I. Lock Ring (1)
- J. Removable Link (2)
- K. Chain (1)



- 14. Insert Bulb A19 Do not exceed specified wattage.
- 15. Restore power to the outlet box and check operation of fixture.

CARE INSTRUCTIONS:

Do not polishes or cleaners on your lamp. Just wipe with soft, lint free cloth.

IMPORTANT SAFETY INSTRUCTIONS:

- To avoid the risk of fire, do not exceed the recommended wattage for this fixture.

UL NO: E491659 UL RATING: DRY, MAX BULB WATTAGE: 60 W
CONVERSION TO MAX LED WATTAGE: 12 W
BULB: 1 X A-19 (NOT INCLUDED)

WARNINGS:

- Hardwiring carries a risk of electric shock or electrocution. Failure to follow the instructions below could lead to severe injury or death.
- Before hardwiring your lamp, shut off the electrical supply from the main fuse box or circuit breaker. Check to make sure all parts are included. If any part is broken or missing, do not attempt to install the fixture.
- All electrical wiring must be in accordance with national, state, and local electrical codes. If you are unfamiliar with wiring, use a licensed electrician.

ASSEMBLY & INSTALLATION:

⚠ SHUT OFF THE MAIN ELECTRICAL SUPPLY FROM THE FUSE BOX OR CIRCUIT BREAKER PANEL

For your safety and convenience, assembly by two people is recommended.

- Attach the Mounting Plate (B) to the ceiling outlet box using the enclosed Mounting Screws (C) and tighten with a screwdriver. The Green Ground Screw (D) should face the floor.
- Remove the Threaded Tube (G) from the Screw Collar with Loop (H). Screw the Threaded Tube (G) into the Mounting Plate (B) fully.
- Place the Canopy (F) over the Screw Collar with Loop (H) and screw into the Threaded Tube (G). Adjust the Threaded Tube (G) so that 1/4" of threading on the Screw Collar with Loop (H) extends beyond the Canopy (F).
- Remove the Canopy (F) and Screw Collar with Loop (H) from the Threaded Tube (G). Fix the Threaded Tube (G) by tightening the Hex Nut (E) to sit flush against the Mounting Plate (B).
- Thread the Screw Collar with Loop (H) back into the Threaded Tube (G). Install Canopy (F) by tightening the Lock Ring (I) on the Screw Collar with Loop (H).

⚠ IT IS IMPERATIVE THAT THE OUTLET BOX IN YOUR HOME BE PROPERLY GROUNDED

- Open Removable Link (J) to attach Chain (K) to the Screw Collar with Loop (H). Open second Removable Link (J) to attach fixture to the Chain (K). Adjust Chain (K) length if necessary.
- Unscrew the Lock Ring (I) from the Screw Collar with Loop (H). Allow the Lock Ring (I) and Canopy (F) to slide down the Chain (K) to the fixture body.
- Thread wires through fixture. Carefully inspect the fixtures wires. The neutral fixture wire is white. The hot fixture wire is black. The ground wire is green.
- Gently pull the wiring down from the ceiling junction box and allow it to hang.
- Attach the ground wire from the fixture to the ground junction box wire from the ceiling box (usually green) using a Wire Connector (A) and wrap the connection with electrical tape. Be sure that no wire strands are exposed. If your ceiling box does not have a ground wire, insert the Green Ground Screw (D) into the Mounting Plate (B) facing down, and wrap the fixture's ground wire around the ground screw.
- Connect the neutral fixture wire to the neutral junction box wire. Fasten each together with a Wire Connector (A) and wrap the connection with electrical tape. Be sure that no wire strands are exposed.
- Connect the hot fixture wire to the hot junction box wire. Fasten each together with a Wire Connector (A) and wrap the connection with

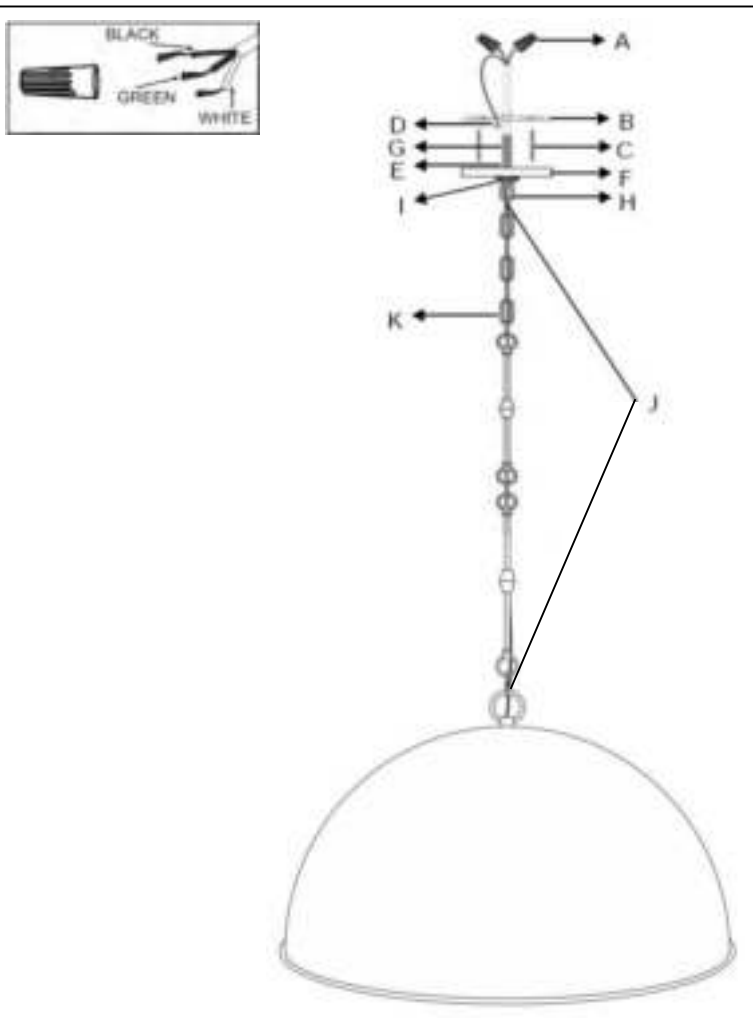
⚠ DO NOT REVERSE THE HOT AND NEUTRAL CONNECTIONS OR SAFETY WILL BE COMPROMISED

- After all connection are made, tuck all wiring into the ceiling junction box. Cover the ceiling junction box with the Canopy (F), then lock with the Lock Ring (I).

WATLEY 24" BRONZE DOME PENDANT

PARTS ENCLOSED:

- A. Wire Connectors (2)
- B. Mounting Plate (1)
- C. Mounting Screws (2)
- D. Green Ground Screw (1)
- E. Hex Nut (1)
- F. Canopy (1)
- G. Threaded Tube (1)
- H. Screw Collar With Loop (1)
- I. Lock Ring (1)
- J. Removable Link (2)
- K. Chain (1)



- 14. Insert Bulb A19 Do not exceed specified wattage.
- 15. Restore power to the outlet box and check operation of fixture.

CARE INSTRUCTIONS:

Do not polishes or cleaners on your lamp. Just wipe with soft, lint free cloth.

IMPORTANT SAFETY INSTRUCTIONS:

1. To avoid the risk of fire, do not exceed the recommended wattage for this fixture.

UL NO: E491659 UL RATING: DRY, MAX BULB WATTAGE: 60 W
 CONVERSION TO MAX LED WATTAGE: 12 W
 BULB: 1 X A-19 (NOT INCLUDED)

WARNINGS:

1. Hardwiring carries a risk of electric shock or electrocution. Failure to follow the instructions below could lead to severe injury or death.
2. Before hardwiring your lamp, shut off the electrical supply from the main fuse box or circuit breaker. Check to make sure all parts are included. If any part is broken or missing, do not attempt to install the fixture.
3. All electrical wiring must be in accordance with national, state, and local electrical codes. If you are unfamiliar with wiring, use a licensed electrician.

ASSEMBLY & INSTALLATION:

⚠ SHUT OFF THE MAIN ELECTRICAL SUPPLY FROM THE FUSE BOX OR CIRCUIT BREAKER PANEL

For your safety and convenience, assembly by two people is recommended.

1. Attach the Mounting Plate (B) to the ceiling outlet box using the enclosed Mounting Screws (C) and tighten with a screwdriver. The Green Ground Screw (D) should face the floor.
2. Remove the Threaded Tube (G) from the Screw Collar with Loop (H). Screw the Threaded Tube (G) into the Mounting Plate (B) fully.
3. Place the Canopy (F) over the Screw Collar with Loop (H) and screw into the Threaded Tube (G). Adjust the Threaded Tube (G) so that 1/4" of threading on the Screw Collar with Loop (H) extends beyond the Canopy (F).
4. Remove the Canopy (F) and Screw Collar with Loop (H) from the Threaded Tube (G). Fix the Threaded Tube (G) by tightening the Hex Nut (E) to sit flush against the Mounting Plate (B).
5. Thread the Screw Collar with Loop (H) back into the Threaded Tube (G). Install Canopy (F) by tightening the Lock Ring (I) on the Screw Collar with Loop (H).

⚠ IT IS IMPERATIVE THAT THE OUTLET BOX IN YOUR HOME BE PROPERLY GROUNDED

6. Open Removable Link (J) to attach Chain (K) to the Screw Collar with Loop (H). Open second Removable Link (J) to attach fixture to the Chain (K). Adjust Chain (K) length if necessary.
7. Unscrew the Lock Ring (I) from the Screw Collar with Loop (H). Allow the Lock Ring (I) and Canopy (F) to slide down the Chain (K) to the fixture body.
8. Thread wires through fixture. Carefully inspect the fixtures wires. The neutral fixture wire is white. The hot fixture wire is black. The ground wire is green.
9. Gently pull the wiring down from the ceiling junction box and allow it to hang.
10. Attach the ground wire from the fixture to the ground junction box wire from the ceiling box (usually green) using a Wire Connector (A) and wrap the connection with electrical tape. Be sure that no wire strands are exposed. If your ceiling box does not have a ground wire, insert the Green Ground Screw (D) into the Mounting Plate (B) facing down, and wrap the fixture's ground wire around the ground screw.
11. Connect the neutral fixture wire to the neutral junction box wire. Fasten each together with a Wire Connector (A) and wrap the connection with electrical tape. Be sure that no wire strands are exposed.
12. Connect the hot fixture wire to the hot junction box wire. Fasten each together with a Wire Connector (A) and wrap the connection with

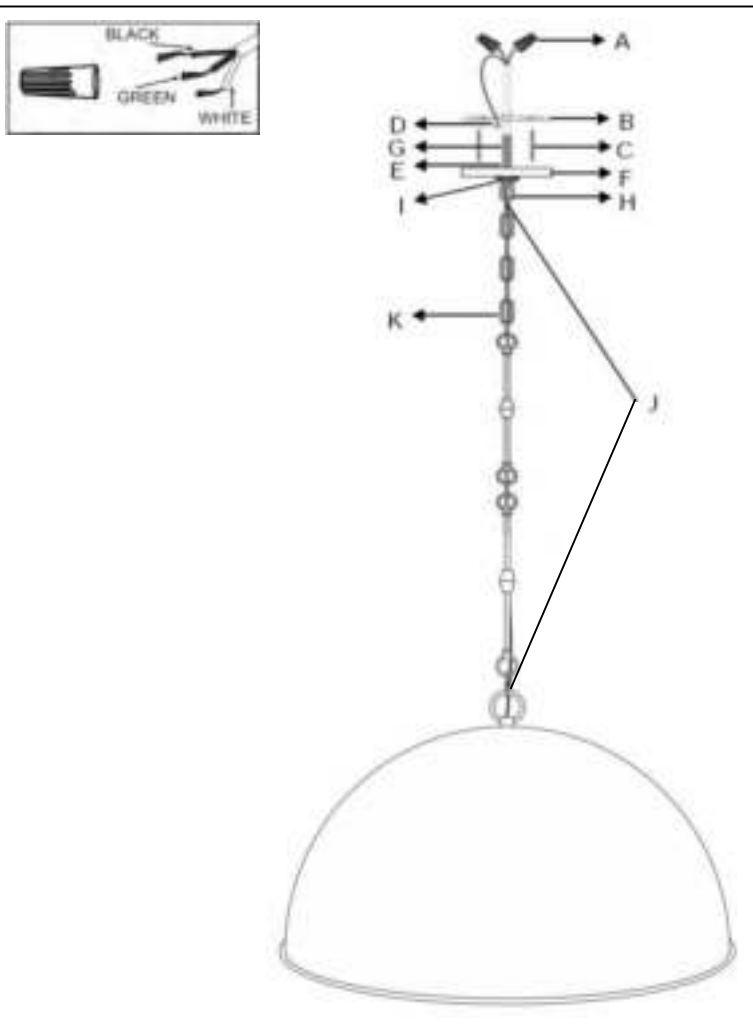
⚠ DO NOT REVERSE THE HOT AND NEUTRAL CONNECTIONS OR SAFETY WILL BE COMPROMISED

13. After all connection are made, tuck all wiring into the ceiling junction box. Cover the ceiling junction box with the Canopy (F), then lock with the Lock Ring (I).

WATLEY 24" WHITE DOME PENDANT

PARTS ENCLOSED:

- A. Wire Connectors (2)
- B. Mounting Plate (1)
- C. Mounting Screws (2)
- D. Green Ground Screw (1)
- E. Hex Nut (1)
- F. Canopy (1)
- G. Threaded Tube (1)
- H. Screw Collar With Loop (1)
- I. Lock Ring (1)
- J. Removable Link (2)
- K. Chain (1)



- 14. Insert Bulb A19 Do not exceed specified wattage.
- 15. Restore power to the outlet box and check operation of fixture.

CARE INSTRUCTIONS:

Do not polishes or cleaners on your lamp. Just wipe with soft, lint free cloth.

IMPORTANT SAFETY INSTRUCTIONS:

1. To avoid the risk of fire, do not exceed the recommended wattage for this fixture.

UL NO: E491659 UL RATING: DRY, MAX BULB WATTAGE: 60 W
CONVERSION TO MAX LED WATTAGE: 12 W
BULB: 1 X A-19 (NOT INCLUDED)

WARNINGS:

1. Hardwiring carries a risk of electric shock or electrocution. Failure to follow the instructions below could lead to severe injury or death.
2. Before hardwiring your lamp, shut off the electrical supply from the main fuse box or circuit breaker. Check to make sure all parts are included. If any part is broken or missing, do not attempt to install the fixture.
3. All electrical wiring must be in accordance with national, state, and local electrical codes. If you are unfamiliar with wiring, use a licensed electrician.

ASSEMBLY & INSTALLATION:**SHUT OFF THE MAIN ELECTRICAL SUPPLY FROM THE FUSE BOX OR CIRCUIT BREAKER PANEL**

For your safety and convenience, assembly by two people is recommended.

1. Attach the Mounting Plate (B) to the ceiling outlet box using the enclosed Mounting Screws (C) and tighten with a screwdriver. The Green Ground Screw (D) should face the floor.
2. Remove the Threaded Tube (G) from the Screw Collar with Loop (H). Screw the Threaded Tube (G) into the Mounting Plate (B) fully.
3. Place the Canopy (F) over the Screw Collar with Loop (H) and screw into the Threaded Tube (G). Adjust the Threaded Tube (G) so that 1/4" of threading on the Screw Collar with Loop (H) extends beyond the Canopy (F).
4. Remove the Canopy (F) and Screw Collar with Loop (H) from the Threaded Tube (G). Fix the Threaded Tube (G) by tightening the Hex Nut (E) to sit flush against the Mounting Plate (B).
5. Thread the Screw Collar with Loop (H) back into the Threaded Tube (G). Install Canopy (F) by tightening the Lock Ring (I) on the Screw Collar with Loop (H).

**IT IS IMPERATIVE THAT THE OUTLET BOX IN YOUR HOME BE PROPERLY GROUNDED**

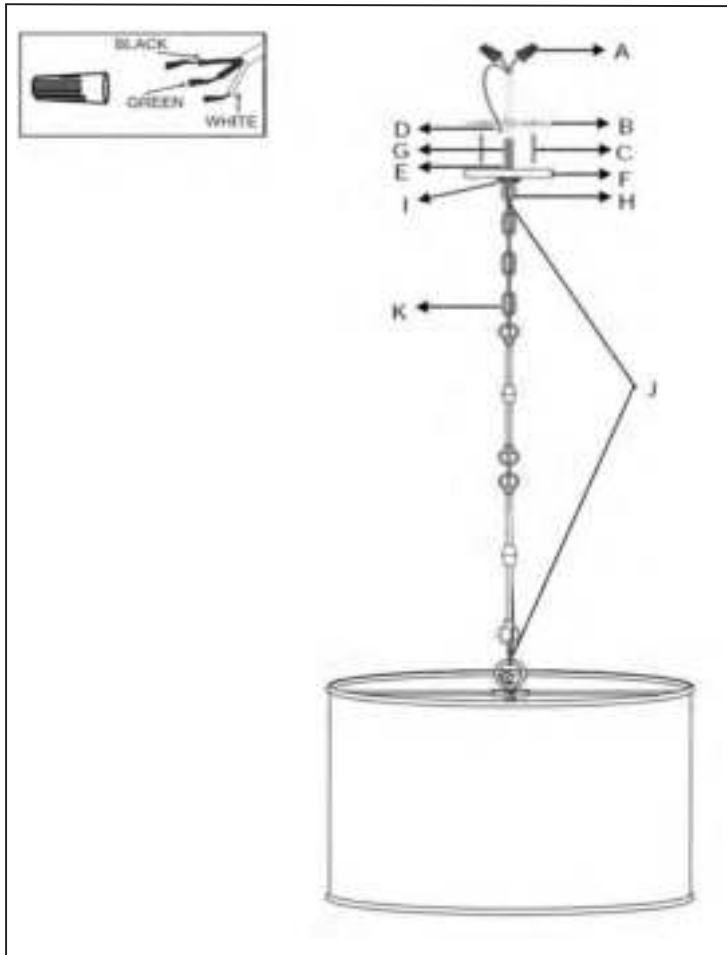
6. Open Removable Link (J) to attach Chain (K) to the Screw Collar with Loop (H). Open second Removable Link (J) to attach fixture to the Chain (K). Adjust Chain (K) length if necessary.
7. Unscrew the Lock Ring (I) from the Screw Collar with Loop (H). Allow the Lock Ring (I) and Canopy (F) to slide down the Chain (K) to the fixture body.
8. Thread wires through fixture. Carefully inspect the fixtures wires. The neutral fixture wire is white. The hot fixture wire is black. The ground wire is green.
9. Gently pull the wiring down from the ceiling junction box and allow it to hang.
10. Attach the ground wire from the fixture to the ground junction box wire from the ceiling box (usually green) using a Wire Connector (A) and wrap the connection with electrical tape. Be sure that no wire strands are exposed. If your ceiling box does not have a ground wire, insert the Green Ground Screw (D) into the Mounting Plate (B) facing down, and wrap the fixture's ground wire around the ground screw.
11. Connect the neutral fixture wire to the neutral junction box wire. Fasten each together with a Wire Connector (A) and wrap the connection with electrical tape. Be sure that no wire strands are exposed.
12. Connect the hot fixture wire to the hot junction box wire. Fasten each together with a Wire Connector (A) and wrap the connection with

**DO NOT REVERSE THE HOT AND NEUTRAL CONNECTIONS OR SAFETY WILL BE COMPROMISED**

13. After all connection are made, tuck all wiring into the ceiling junction box. Cover the ceiling junction box with the Canopy (F), then lock with the Lock Ring (I).

663507H593 - WATLEY BRASS 24" DRUM PENDANT**parts enclosed:**

- A. Wire connectors (2)
- B. Mounting plate (1)
- C. Mounting screw (2)
- D. Green ground screw (1)
- E. Hex nut (1)
- F. Canopy (1)
- G. Threaded tube (5)
- H. Screw Collar With Loop (1)
- I. Lock Ring (1)
- J. Removable Link (2)
- K. Chain (1)

**important safety instructions:**

1. We recommend installation by a licensed electrician.
2. To avoid the risk of fire, do not exceed the recommended wattage for this fixture.

UL NO: E491659 UL RATING: DRY, MAX BULB WATTAGE: 60W
 CONVERSION TO MAX LED WATTAGE: 12W
 BULB: 1 X A-19 (NOT INCLUDED)

warnings:

1. Do not remove the lamp from its packaging by pulling on the power cord, as a bad connection may result.
2. To avoid the risk of fire, electrical shock, or personal injury, turn off lamp and allow it to cool prior to replacing light bulb.
3. Do not touch bulb when fixture is turned on or look directly at lit bulb.
4. Keep flammable materials away from lit bulb.

to assemble:

1. Attach the mounting plate (B) to the ceiling outlet box using the enclosed mounting screws (C) and tighten with a screwdriver. The green ground screw (D) should face the floor.
2. Remove the threaded tube (G) from the screw collar with loop (H) screw the threaded tube (G) into the mounting plate (B) fully.
3. Place the canopy (F) over the screw collar with loop (H) and screw into the threaded tube (G). Adjust the threaded tube (G) so that 1/4" of threading on the screw collar with loop (H) extends beyond the canopy (F).
4. Remove the canopy (F) and screw collar with loop (H) from the threaded tube (G). Fix the threaded tube (G) by tightening the hex nut (E) to sit flush against the mounting plate (B).
5. Thread the screw collar with loop (H) back into the threaded tube (G). Install canopy (F) by tightening the lock ring (I) on the screw collar with loop (H).



IT IS IMPERATIVE THAT THE OUTLET BOX IN YOUR HOME BE PROPERLY GROUNDED

6. Open removable link (J) to attach chain (K) to the screw collar with loop (H). Open second removable link (J) to attach fixture to the chain (K). Adjust chain (K) length if necessary.
7. Unscrew the lock ring (I) and canopy (F) to slide down the chain (K) to the fixture body.
8. Thread wires through fixture. Carefully inspect the fixture's wires. The neutral fixture wire is white. the hot fixture wire is black. the ground wire is green.
9. Gently pull the wiring down from the ceiling junction box and allow it to hang.
10. Attach the ground wire from the fixture to the ground junction box wire from the ceiling box (usually green) using a wire connector (A) and wrap the connection with electrical tape. Be sure that no wire strands are exposed. If your ceiling box does not have a ground wire, insert the green ground screw (D) into the mounting plate (B) facing down, and wrap the fixture's ground wire around the ground screw.
11. Connect the neutral fixture wire to the neutral junction box wire. Fasten each together with a wire connector (A) and wrap the connection with electrical tape. Be sure that no wire strands are junction box wire. Fasten each together with a wire connector (A) and wrap the connection with electrical tape.

12. Connect the hot fixture wire to the hot junction box wire. Fasten each together with a wire connector (A) and wrap the connection with electrical tape.



DO NOT REVERSE THE HOT AND NEUTRAL CONNECTIONS OR SAFETY WILL BE COMPROMISED

13. After all connection are made, tuck all wiring into the ceiling junction box. cover the ceiling junction box with the canopy (F) then lock with the lock ring (I).

14. Insert bulb A-19 Do Not exceed specified wattage.

15. Restore power to the outlet box and check operation of fixture.

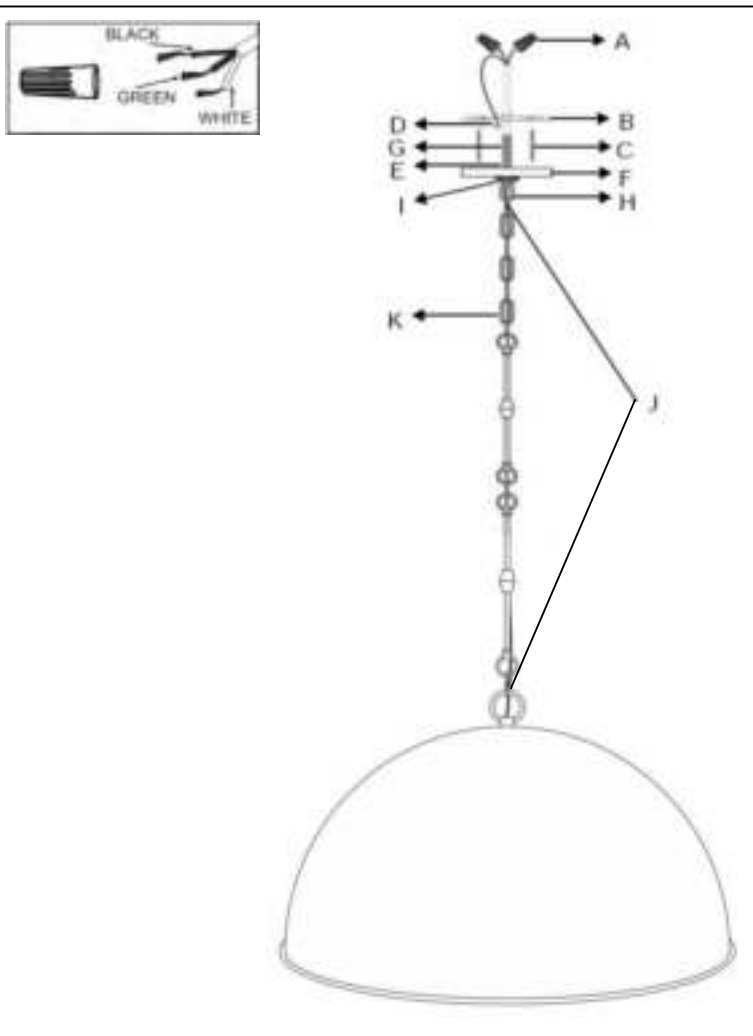
care instructions:

DO NOT use polishes or Cleaners on your lamp. wipe with soft, lint free cloth.

WATLEY 36" BRASS DOME PENDANT

PARTS ENCLOSED:

- A. Wire Connectors (2)
- B. Mounting Plate (1)
- C. Mounting Screws (2)
- D. Green Ground Screw (1)
- E. Hex Nut (1)
- F. Canopy (1)
- G. Threaded Tube (1)
- H. Screw Collar With Loop (1)
- I. Lock Ring (1)
- J. Removable Link (2)
- K. Chain (1)



- 14. Insert Bulb A19 Do not exceed specified wattage.
- 15. Restore power to the outlet box and check operation of fixture.

CARE INSTRUCTIONS:

Do not polishes or cleaners on your lamp. Just wipe with soft, lint free cloth.

IMPORTANT SAFETY INSTRUCTIONS:

1. To avoid the risk of fire, do not exceed the recommended wattage for this fixture.

UL NO:E491659 UL RATING: DRY, MAX BULB WATTAGE: 60W
CONVERSION TO MAX LED WATTAGE: 12W
BULB: 1 X A-19 (NOT INCLUDED)

WARNINGS:

1. Hardwiring carries a risk of electric shock or electrocution. Failure to follow the instructions below could lead to severe injury death.
2. Before hardwiring your lamp, shut off the electrical supply from the main fuse box or circuit breaker. Check to make sure all parts are included. If any part is broken or missing, do not attempt to install the fixture.
3. All electrical wiring must be in accordance with national, state, and local electrical codes. If you are unfamiliar with wiring, use a licensed electrician.
4. Please don't remove chain packaging until installed due to potential damage and scratches to the shade.

ASSEMBLY & INSTALLATION:**SHUT OFF THE MAIN ELECTRICAL SUPPLY FROM THE FUSE BOX OR CIRCUIT BREAKER PANEL**

For your safety and convenience, assembly by two people is recommended.

1. Attach the Mounting Plate (B) to the ceiling outlet box using the enclosed Mounting Screws (C) and tighten with a screwdriver. The Green Ground Screw (D) should face the floor.
2. Remove the Threaded Tube (G) from the Screw Collar with Loop (H). Screw the Threaded Tube (G) into the Mounting Plate (B) fully.
3. Place the Canopy (F) over the Screw Collar with Loop (H) and screw into the Threaded Tube (G). Adjust the Threaded Tube (G) so that 1/4" of threading on the Screw Collar with Loop (H) extends beyond the Canopy(F).
4. Remove the Canopy (F) and Screw Collar with Loop (H) from the Threaded Tube (G). Fix the Threaded Tube (G) by tightening the Hex Nut (E) to sit flush against the Mounting Plate (B).
5. Thread the Screw Collar with Loop (H) back into the Threaded Tube (G). Install Canopy (F) by tightening the Lock Ring (I) on the Screw Collar with Loop (H).

**IT IS IMPERATIVE THAT THE OUTLET BOX IN YOUR HOME BE PROPERLY GROUNDED**

6. Open Removable Link (J) to attach Chain (K) to the Screw Collar with Loop (H). Open second Removable Link (J) to attach fixture to the Chain (K). Adjust Chain (K) length if necessary.
7. Unscrew the Lock Ring (I) from the Screw Collar with Loop (H). Allow the Lock Ring (I) and Canopy (F) to slide down the Chain (K) to the fixture body.
8. Thread wires through fixture. Carefully inspect the fixtures wires. The neutral fixture wire is white. The hot fixture wire is black. The ground wire is green.
9. Gently pull the wiring down from the ceiling junction box and allow it to hang.
10. Attach the ground wire from the fixture to the ground junction box wire from the ceiling box (usually green) using a Wire Connector (A) and wrap the connection with electrical tape. Be sure that no wire strands are exposed. If your ceiling box does not have a ground wire, insert the Green Ground Screw (D) into the Mounting Plate (B) facing down, and wrap the fixture's ground wire around the ground screw.
11. Connect the neutral fixture wire to the neutral junction box wire. Fasten each together with a Wire Connector (A) and wrap the connection with electrical tape. Be sure that no wire strands are exposed.
12. Connect the hot fixture wire to the hot junction box wire. Fasten each together with a Wire Connector (A) and wrap the connection with

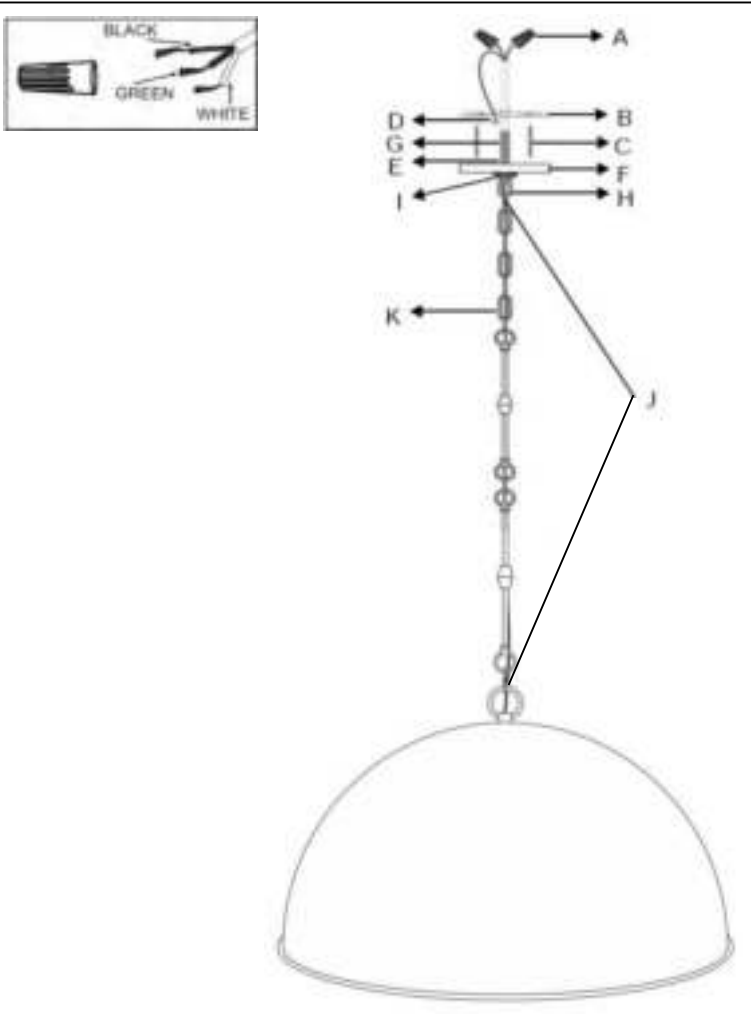
**DO NOT REVERSE THE HOT AND NEUTRAL CONNECTIONS OR SAFETY WILL BE COMPROMISED**

13. After all connection are made, tuck all wiring into the ceiling junction box. Cover the ceiling junction box with the Canopy (F), then lock with the Lock Ring (I).

WATLEY 36" BRASS DOME PENDANT

PARTS ENCLOSED:

- A. Wire Connectors (2)
- B. Mounting Plate (1)
- C. Mounting Screws (2)
- D. Green Ground Screw (1)
- E. Hex Nut (1)
- F. Canopy (1)
- G. Threaded Tube (1)
- H. Screw Collar With Loop (1)
- I. Lock Ring (1)
- J. Removable Link (2)
- K. Chain (1)



- 14. Insert Bulb A19 Do not exceed specified wattage.
- 15. Restore power to the outlet box and check operation of fixture.

CARE INSTRUCTIONS:

Do not polishes or cleaners on your lamp. Just wipe with soft, lint free cloth.

IMPORTANT SAFETY INSTRUCTIONS:

1. To avoid the risk of fire, do not exceed the recommended wattage for this fixture.

UL NO:E491659 UL RATING: DRY, MAX BULB WATTAGE: 60W
CONVERSION TO MAX LED WATTAGE: 12W
BULB: 1 X A-19 (NOT INCLUDED)

WARNINGS:

1. Hardwiring carries a risk of electric shock or electrocution. Failure to follow the instructions below could lead to severe injury death.
2. Before hardwiring your lamp, shut off the electrical supply from the main fuse box or circuit breaker. Check to make sure all parts are included. If any part is broken or missing, do not attempt to install the fixture.
3. All electrical wiring must be in accordance with national, state, and local electrical codes. If you are unfamiliar with wiring, use a licensed electrician.
4. Please don't remove chain packaging until installed due to potential damage and scratches to the shade.

ASSEMBLY & INSTALLATION:**SHUT OFF THE MAIN ELECTRICAL SUPPLY FROM THE FUSE BOX OR CIRCUIT BREAKER PANEL**

For your safety and convenience, assembly by two people is recommended.

1. Attach the Mounting Plate (B) to the ceiling outlet box using the enclosed Mounting Screws (C) and tighten with a screwdriver. The Green Ground Screw (D) should face the floor.
2. Remove the Threaded Tube (G) from the Screw Collar with Loop (H). Screw the Threaded Tube (G) into the Mounting Plate (B) fully.
3. Place the Canopy (F) over the Screw Collar with Loop (H) and screw into the Threaded Tube (G). Adjust the Threaded Tube (G) so that 1/4" of threading on the Screw Collar with Loop (H) extends beyond the Canopy(F).
4. Remove the Canopy (F) and Screw Collar with Loop (H) from the Threaded Tube (G). Fix the Threaded Tube (G) by tightening the Hex Nut (E) to sit flush against the Mounting Plate (B).
5. Thread the Screw Collar with Loop (H) back into the Threaded Tube (G). Install Canopy (F) by tightening the Lock Ring (I) on the Screw Collar with Loop (H).

**IT IS IMPERATIVE THAT THE OUTLET BOX IN YOUR HOME BE PROPERLY GROUNDED**

6. Open Removable Link (J) to attach Chain (K) to the Screw Collar with Loop (H). Open second Removable Link (J) to attach fixture to the Chain (K). Adjust Chain (K) length if necessary.
7. Unscrew the Lock Ring (I) from the Screw Collar with Loop (H). Allow the Lock Ring (I) and Canopy (F) to slide down the Chain (K) to the fixture body.
8. Thread wires through fixture. Carefully inspect the fixtures wires. The neutral fixture wire is white. The hot fixture wire is black. The ground wire is green.
9. Gently pull the wiring down from the ceiling junction box and allow it to hang.
10. Attach the ground wire from the fixture to the ground junction box wire from the ceiling box (usually green) using a Wire Connector (A) and wrap the connection with electrical tape. Be sure that no wire strands are exposed. If your ceiling box does not have a ground wire, insert the Green Ground Screw (D) into the Mounting Plate (B) facing down, and wrap the fixture's ground wire around the ground screw.
11. Connect the neutral fixture wire to the neutral junction box wire. Fasten each together with a Wire Connector (A) and wrap the connection with electrical tape. Be sure that no wire strands are exposed.
12. Connect the hot fixture wire to the hot junction box wire. Fasten each together with a Wire Connector (A) and wrap the connection with

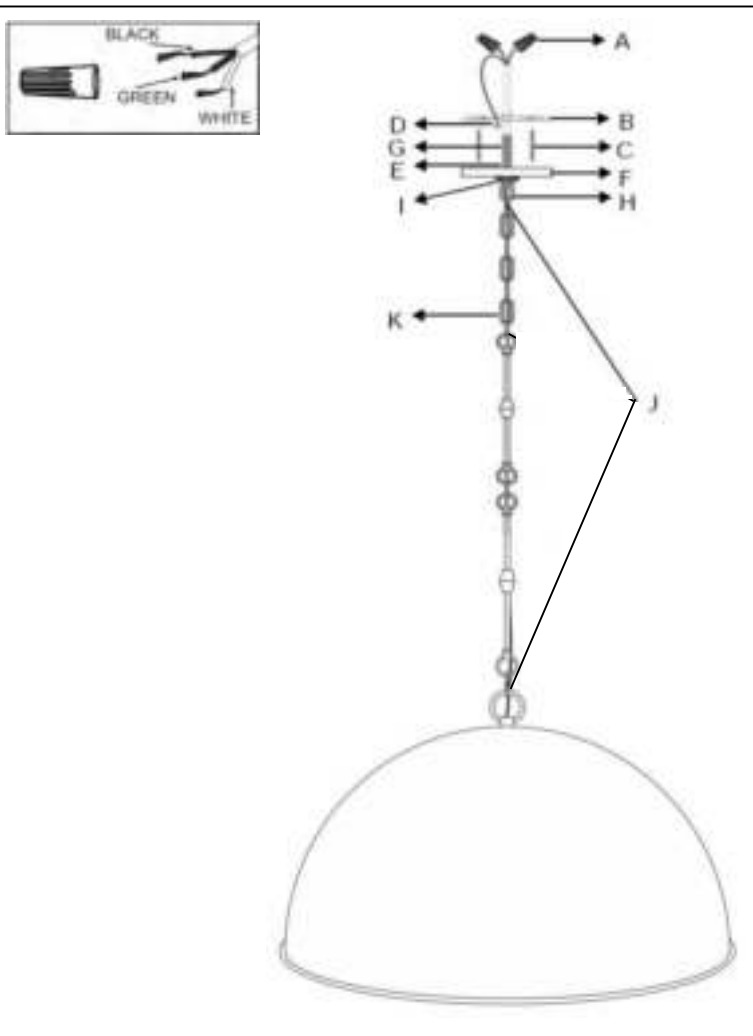
**DO NOT REVERSE THE HOT AND NEUTRAL CONNECTIONS OR SAFETY WILL BE COMPROMISED**

13. After all connection are made, tuck all wiring into the ceiling junction box. Cover the ceiling junction box with the Canopy (F), then lock with the Lock Ring (I).

WATLEY 36" BRONZE DOME PENDANT

PARTS ENCLOSED:

- A. Wire Connectors (2)
- B. Mounting Plate (1)
- C. Mounting Screws (2)
- D. Green Ground Screw (1)
- E. Hex Nut (1)
- F. Canopy (1)
- G. Threaded Tube (1)
- H. Screw Collar With Loop (1)
- I. Lock Ring (1)
- J. Removable Link (2)
- K. Chain (1)



14. Insert Bulb A19 Do not exceed specified wattage.
15. Restore power to the outlet box and check operation of fixture.

CARE INSTRUCTIONS:

Do not polishes or cleaners on your lamp. Just wipe with soft, lint free cloth.

IMPORTANT SAFETY INSTRUCTIONS:

1. To avoid the risk of fire, do not exceed the recommended wattage for this fixture.

UL NO:E491659 UL RATING: DRY, MAX BULB WATTAGE: 60W
CONVERSION TO MAX LED WATTAGE: 12W
BULB: 1 X A-19 (NOT INCLUDED)

WARNINGS:

1. Hardwiring carries a risk of electric shock or electrocution. Failure to follow the instructions below could lead to severe injury death.
2. Before hardwiring your lamp, shut off the electrical supply from the main fuse box or circuit breaker. Check to make sure all parts are included. If any part is broken or missing, do not attempt to install the fixture.
3. All electrical wiring must be in accordance with national, state, and local electrical codes. If you are unfamiliar with wiring, use a licensed electrician.
4. Please don't remove chain packaging until installed due to potential damage and scratches to the shade.

ASSEMBLY & INSTALLATION:**SHUT OFF THE MAIN ELECTRICAL SUPPLY FROM THE FUSE BOX OR CIRCUIT BREAKER PANEL**

For your safety and convenience, assembly by two people is recommended.

1. Attach the Mounting Plate (B) to the ceiling outlet box using the enclosed Mounting Screws (C) and tighten with a screwdriver. The Green Ground Screw (D) should face the floor.
2. Remove the Threaded Tube (G) from the Screw Collar with Loop (H). Screw the Threaded Tube (G) into the Mounting Plate (B) fully.
3. Place the Canopy (F) over the Screw Collar with Loop (H) and screw into the Threaded Tube (G). Adjust the Threaded Tube (G) so that 1/4" of threading on the Screw Collar with Loop (H) extends beyond the Canopy(F).
4. Remove the Canopy (F) and Screw Collar with Loop (H) from the Threaded Tube (G). Fix the Threaded Tube (G) by tightening the Hex Nut (E) to sit flush against the Mounting Plate (B).
5. Thread the Screw Collar with Loop (H) back into the Threaded Tube (G). Install Canopy (F) by tightening the Lock Ring (I) on the Screw Collar with Loop (H).

**IT IS IMPERATIVE THAT THE OUTLET BOX IN YOUR HOME BE PROPERLY GROUNDED**

6. Open Removable Link (J) to attach Chain (K) to the Screw Collar with Loop (H). Open second Removable Link (J) to attach fixture to the Chain (K). Adjust Chain (K) length if necessary.
7. Unscrew the Lock Ring (I) from the Screw Collar with Loop (H). Allow the Lock Ring (I) and Canopy (F) to slide down the Chain (K) to the fixture body.
8. Thread wires through fixture. Carefully inspect the fixtures wires. The neutral fixture wire is white. The hot fixture wire is black. The ground wire is green.
9. Gently pull the wiring down from the ceiling junction box and allow it to hang.
10. Attach the ground wire from the fixture to the ground junction box wire from the ceiling box (usually green) using a Wire Connector (A) and wrap the connection with electrical tape. Be sure that no wire strands are exposed. If your ceiling box does not have a ground wire, insert the Green Ground Screw (D) into the Mounting Plate (B) facing down, and wrap the fixture's ground wire around the ground screw.
11. Connect the neutral fixture wire to the neutral junction box wire. Fasten each together with a Wire Connector (A) and wrap the connection with electrical tape. Be sure that no wire strands are exposed.
12. Connect the hot fixture wire to the hot junction box wire. Fasten each together with a Wire Connector (A) and wrap the connection with

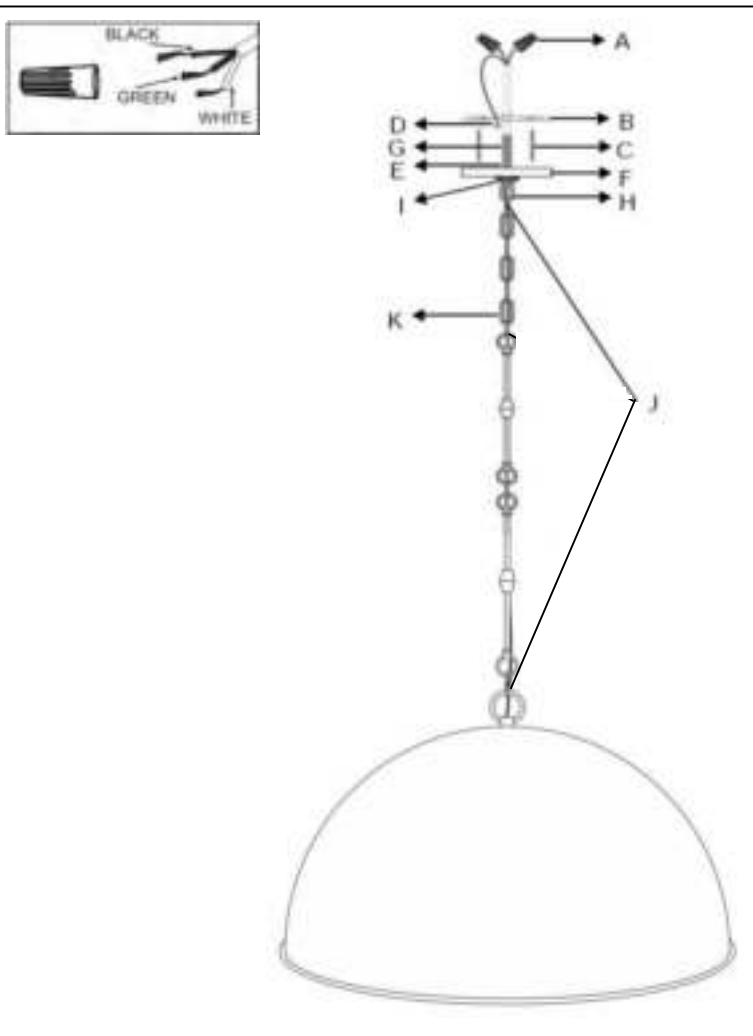
**DO NOT REVERSE THE HOT AND NEUTRAL CONNECTIONS OR SAFETY WILL BE COMPROMISED**

13. After all connection are made, tuck all wiring into the ceiling junction box. Cover the ceiling junction box with the Canopy (F), then lock with the Lock Ring (I).

WATLEY 36" BRONZE DOME PENDANT

PARTS ENCLOSED:

- A. Wire Connectors (2)
- B. Mounting Plate (1)
- C. Mounting Screws (2)
- D. Green Ground Screw (1)
- E. Hex Nut (1)
- F. Canopy (1)
- G. Threaded Tube (1)
- H. Screw Collar With Loop (1)
- I. Lock Ring (1)
- J. Removable Link (2)
- K. Chain (1)



- 14. Insert Bulb A19 Do not exceed specified wattage.
- 15. Restore power to the outlet box and check operation of fixture.

CARE INSTRUCTIONS:

Do not polishes or cleaners on your lamp. Just wipe with soft, lint free cloth.

IMPORTANT SAFETY INSTRUCTIONS:

1. To avoid the risk of fire, do not exceed the recommended wattage for this fixture.

UL NO:E491659 UL RATING: DRY, MAX BULB WATTAGE: 60W
CONVERSION TO MAX LED WATTAGE: 12W
BULB: 1 X A-19 (NOT INCLUDED)

WARNINGS:

1. Hardwiring carries a risk of electric shock or electrocution. Failure to follow the instructions below could lead to severe injury death.
2. Before hardwiring your lamp, shut off the electrical supply from the main fuse box or circuit breaker. Check to make sure all parts are included. If any part is broken or missing, do not attempt to install the fixture.
3. All electrical wiring must be in accordance with national, state, and local electrical codes. If you are unfamiliar with wiring, use a licensed electrician.
4. Please don't remove chain packaging until installed due to potential damage and scratches to the shade.

ASSEMBLY & INSTALLATION:**SHUT OFF THE MAIN ELECTRICAL SUPPLY FROM THE FUSE BOX OR CIRCUIT BREAKER PANEL**

For your safety and convenience, assembly by two people is recommended.

1. Attach the Mounting Plate (B) to the ceiling outlet box using the enclosed Mounting Screws (C) and tighten with a screwdriver. The Green Ground Screw (D) should face the floor.
2. Remove the Threaded Tube (G) from the Screw Collar with Loop (H). Screw the Threaded Tube (G) into the Mounting Plate (B) fully.
3. Place the Canopy (F) over the Screw Collar with Loop (H) and screw into the Threaded Tube (G). Adjust the Threaded Tube (G) so that 1/4" of threading on the Screw Collar with Loop (H) extends beyond the Canopy(F).
4. Remove the Canopy (F) and Screw Collar with Loop (H) from the Threaded Tube (G). Fix the Threaded Tube (G) by tightening the Hex Nut (E) to sit flush against the Mounting Plate (B).
5. Thread the Screw Collar with Loop (H) back into the Threaded Tube (G). Install Canopy (F) by tightening the Lock Ring (I) on the Screw Collar with Loop (H).

**IT IS IMPERATIVE THAT THE OUTLET BOX IN YOUR HOME BE PROPERLY GROUNDED**

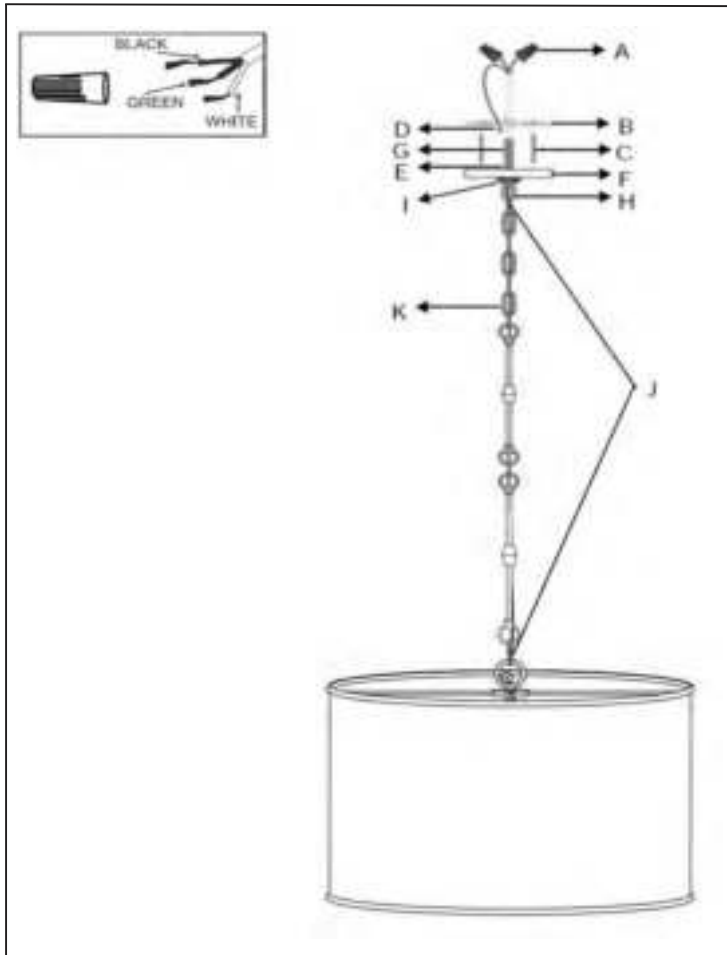
6. Open Removable Link (J) to attach Chain (K) to the Screw Collar with Loop (H). Open second Removable Link (J) to attach fixture to the Chain (K). Adjust Chain (K) length if necessary.
7. Unscrew the Lock Ring (I) from the Screw Collar with Loop (H). Allow the Lock Ring (I) and Canopy (F) to slide down the Chain (K) to the fixture body.
8. Thread wires through fixture. Carefully inspect the fixtures wires. The neutral fixture wire is white. The hot fixture wire is black. The ground wire is green.
9. Gently pull the wiring down from the ceiling junction box and allow it to hang.
10. Attach the ground wire from the fixture to the ground junction box wire from the ceiling box (usually green) using a Wire Connector (A) and wrap the connection with electrical tape. Be sure that no wire strands are exposed. If your ceiling box does not have a ground wire, insert the Green Ground Screw (D) into the Mounting Plate (B) facing down, and wrap the fixture's ground wire around the ground screw.
11. Connect the neutral fixture wire to the neutral junction box wire. Fasten each together with a Wire Connector (A) and wrap the connection with electrical tape. Be sure that no wire strands are exposed.
12. Connect the hot fixture wire to the hot junction box wire. Fasten each together with a Wire Connector (A) and wrap the connection with

**DO NOT REVERSE THE HOT AND NEUTRAL CONNECTIONS OR SAFETY WILL BE COMPROMISED**

13. After all connection are made, tuck all wiring into the ceiling junction box. Cover the ceiling junction box with the Canopy (F), then lock with the Lock Ring (I).

parts enclosed:

- A. Wire connectors (2)
- B. Mounting plate (1)
- C. Mounting screw (2)
- D. Green ground screw (1)
- E. Hex nut (1)
- F. Canopy (1)
- G. Threaded tube (5)
- H. Screw Collar With Loop (1)
- I. Lock Ring (1)
- J. Removable Link (2)
- K. Chain (1)



important safety instructions:

1. We recommend installation by a licensed electrician.
2. To avoid the risk of fire, do not exceed the recommended wattage for this fixture.

UL NO: E491659 UL RATING: DRY, MAX BULB WATTAGE: 60W
 CONVERSION TO MAX LED WATTAGE: 12W
 BULB: 1 X A-19 (NOT INCLUDED)

warnings:

1. Do not remove the lamp from its packaging by pulling on the power cord, as a bad connection may result.
2. To avoid the risk of fire, electrical shock, or personal injury, turn off lamp and allow it to cool prior to replacing light bulb.
3. Do not touch bulb when fixture is turned on or look directly at lit bulb.
4. Keep flammable materials away from lit bulb.

to assemble:

1. Attach the mounting plate (B) to the ceiling outlet box using the enclosed mounting screws (C) and tighten with a screwdriver. The green ground screw (D) should face the floor.
2. Remove the threaded tube (G) from the screw collar with loop (H) screw the threaded tube (G) into the mounting plate (B) fully.
3. Place the canopy (F) over the screw collar with loop (H) and screw into the threaded tube (G). Adjust the threaded tube (G) so that 1/4" of threading on the screw collar with loop (H) extends beyond the canopy (F).
4. Remove the canopy (F) and screw collar with loop (H) from the threaded tube (G). Fix the threaded tube (G) by tightening the hex nut (E) to sit flush against the mounting plate (B).
5. Thread the screw collar with loop (H) back into the threaded tube (G). Install canopy (F) by tightening the lock ring (I) on the screw collar with loop (H).



IT IS IMPERATIVE THAT THE OUTLET BOX IN YOUR HOME BE PROPERLY GROUNDED

6. Open removable link (J) to attach chain (K) to the screw collar with loop (H). Open second removable link (J) to attach fixture to the chain (K). Adjust chain (K) length if necessary.
7. Unscrew the lock ring (I) and canopy (F) to slide down the chain (K) to the fixture body.
8. Thread wires through fixture. Carefully inspect the fixture's wires. The neutral fixture wire is white. the hot fixture wire is black. the ground wire is green.
9. Gently pull the wiring down from the ceiling junction box and allow it to hang.
10. Attach the ground wire from the fixture to the ground junction box wire from the ceiling box (usually green) using a wire connector (A) and wrap the connection with electrical tape. Be sure that no wire strands are exposed. If your ceiling box does not have a ground wire, insert the green ground screw (D) into the mounting plate (B) facing down, and wrap the fixture's ground wire around the ground screw.
11. Connect the neutral fixture wire to the neutral junction box wire. Fasten each together with a wire connector (A) and wrap the connection with electrical tape. Be sure that no wire strands are junction box wire. Fasten each together with a wire connector (A) and wrap the connection with electrical tape.

12. Connect the hot fixture wire to the hot junction box wire. Fasten each together with a wire connector (A) and wrap the connection with electrical tape.



DO NOT REVERSE THE HOT AND NEUTRAL CONNECTIONS OR SAFETY WILL BE COMPROMISED

13. After all connection are made, tuck all wiring into the ceiling junction box. cover the ceiling junction box with the canopy (F) then lock with the lock ring (I).

14. Insert bulb A-19 Do Not exceed specified wattage.

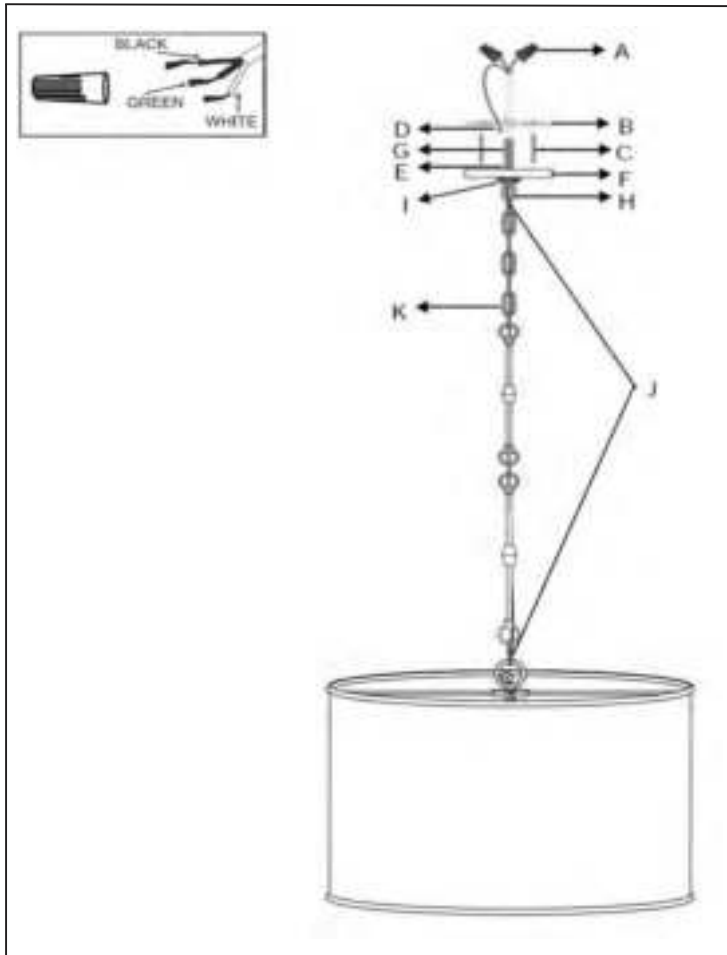
15. Restore power to the outlet box and check operation of fixture.

care instructions:

DO NOT use polishes or Cleaners on your lamp. wipe with soft, lint free cloth.

663507H595 - WATLEY WHITE 24" DRUM PENDANT**parts enclosed:**

- A. Wire connectors (2)
- B. Mounting plate (1)
- C. Mounting screw (2)
- D. Green ground screw (1)
- E. Hex nut (1)
- F. Canopy (1)
- G. Threaded tube (5)
- H. Screw Collar With Loop (1)
- I. Lock Ring (1)
- J. Removable Link (2)
- K. Chain (1)

**important safety instructions:**

1. We recommend installation by a licensed electrician.
2. To avoid the risk of fire, do not exceed the recommended wattage for this fixture.

UL NO: E491659 UL RATING: DRY, MAX BULB WATTAGE: 60W
 CONVERSION TO MAX LED WATTAGE: 12W
 BULB: 1 X A-19 (NOT INCLUDED)

warnings:

1. Do not remove the lamp from its packaging by pulling on the power cord, as a bad connection may result.
2. To avoid the risk of fire, electrical shock, or personal injury, turn off lamp and allow it to cool prior to replacing light bulb.
3. Do not touch bulb when fixture is turned on or look directly at lit bulb.
4. Keep flammable materials away from lit bulb.

to assemble:

1. Attach the mounting plate (B) to the ceiling outlet box using the enclosed mounting screws (C) and tighten with a screwdriver. The green ground screw (D) should face the floor.
2. Remove the threaded tube (G) from the screw collar with loop (H) screw the threaded tube (G) into the mounting plate (B) fully.
3. Place the canopy (F) over the screw collar with loop (H) and screw into the threaded tube (G). Adjust the threaded tube (G) so that 1/4" of threading on the screw collar with loop (H) extends beyond the canopy (F).
4. Remove the canopy (F) and screw collar with loop (H) from the threaded tube (G). Fix the threaded tube (G) by tightening the hex nut (E) to sit flush against the mounting plate (B).
5. Thread the screw collar with loop (H) back into the threaded tube (G). Install canopy (F) by tightening the lock ring (I) on the screw collar with loop (H).



IT IS IMPERATIVE THAT THE OUTLET BOX IN YOUR HOME BE PROPERLY GROUNDED

6. Open removable link (J) to attach chain (K) to the screw collar with loop (H). Open second removable link (J) to attach fixture to the chain (K). Adjust chain (K) length if necessary.
7. Unscrew the lock ring (I) and canopy (F) to slide down the chain (K) to the fixture body.
8. Thread wires through fixture. Carefully inspect the fixture's wires. The neutral fixture wire is white. the hot fixture wire is black. the ground wire is green.
9. Gently pull the wiring down from the ceiling junction box and allow it to hang.
10. Attach the ground wire from the fixture to the ground junction box wire from the ceiling box (usually green) using a wire connector (A) and wrap the connection with electrical tape. Be sure that no wire strands are exposed. If your ceiling box does not have a ground wire, insert the green ground screw (D) into the mounting plate (B) facing down, and wrap the fixture's ground wire around the ground screw.
11. Connect the neutral fixture wire to the neutral junction box wire. Fasten each together with a wire connector (A) and wrap the connection with electrical tape. Be sure that no wire strands are junction box wire. Fasten each together with a wire connector (A) and wrap the connection with electrical tape.

12. Connect the hot fixture wire to the hot junction box wire. Fasten each together with a wire connector (A) and wrap the connection with electrical tape.



DO NOT REVERSE THE HOT AND NEUTRAL CONNECTIONS OR SAFETY WILL BE COMPROMISED

13. After all connection are made, tuck all wiring into the ceiling junction box. cover the ceiling junction box with the canopy (F) then lock with the lock ring (I).

14. Insert bulb A-19 Do Not exceed specified wattage.

15. Restore power to the outlet box and check operation of fixture.

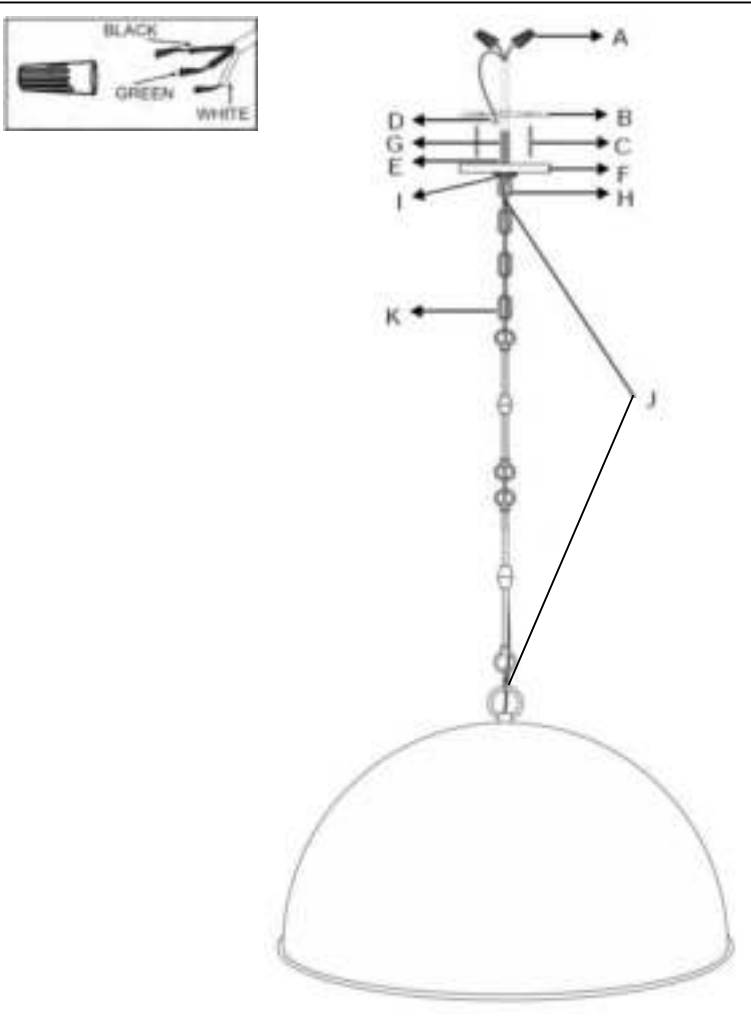
care instructions:

DO NOT use polishes or Cleaners on your lamp. wipe with soft, lint free cloth.

WATLEY 36" WHITE DOME PENDANT

PARTS ENCLOSED:

- A. Wire Connectors (2)
- B. Mounting Plate (1)
- C. Mounting Screws (2)
- D. Green Ground Screw (1)
- E. Hex Nut (1)
- F. Canopy (1)
- G. Threaded Tube (1)
- H. Screw Collar With Loop (1)
- I. Lock Ring (1)
- J. Removable Link (2)
- K. Chain (1)



- 14. Insert Bulb A19 Do not exceed specified wattage.
- 15. Restore power to the outlet box and check operation of fixture.

CARE INSTRUCTIONS:

Do not polishes or cleaners on your lamp. Just wipe with soft, lint free cloth.

IMPORTANT SAFETY INSTRUCTIONS:

1. To avoid the risk of fire, do not exceed the recommended wattage for this fixture.

UL NO:E491659 UL RATING: DRY, MAX BULB WATTAGE: 60W
CONVERSION TO MAX LED WATTAGE: 12W
BULB: 1 X A-19 (NOT INCLUDED)

WARNINGS:

1. Hardwiring carries a risk of electric shock or electrocution. Failure to follow the instructions below could lead to severe injury death.
2. Before hardwiring your lamp, shut off the electrical supply from the main fuse box or circuit breaker. Check to make sure all parts are included. If any part is broken or missing, do not attempt to install the fixture.
3. All electrical wiring must be in accordance with national, state, and local electrical codes. If you are unfamiliar with wiring, use a licensed electrician.
4. Please don't remove chain packaging until installed due to potential damage and scratches to the shade.

ASSEMBLY & INSTALLATION:**SHUT OFF THE MAIN ELECTRICAL SUPPLY FROM THE FUSE BOX OR CIRCUIT BREAKER PANEL**

For your safety and convenience, assembly by two people is recommended.

1. Attach the Mounting Plate (B) to the ceiling outlet box using the enclosed Mounting Screws (C) and tighten with a screwdriver. The Green Ground Screw (D) should face the floor.
2. Remove the Threaded Tube (G) from the Screw Collar with Loop (H). Screw the Threaded Tube (G) into the Mounting Plate (B) fully.
3. Place the Canopy (F) over the Screw Collar with Loop (H) and screw into the Threaded Tube (G). Adjust the Threaded Tube (G) so that 1/4" of threading on the Screw Collar with Loop (H) extends beyond the Canopy(F).
4. Remove the Canopy (F) and Screw Collar with Loop (H) from the Threaded Tube (G). Fix the Threaded Tube (G) by tightening the Hex Nut (E) to sit flush against the Mounting Plate (B).
5. Thread the Screw Collar with Loop (H) back into the Threaded Tube (G). Install Canopy (F) by tightening the Lock Ring (I) on the Screw Collar with Loop (H).

**IT IS IMPERATIVE THAT THE OUTLET BOX IN YOUR HOME BE PROPERLY GROUNDED**

6. Open Removable Link (J) to attach Chain (K) to the Screw Collar with Loop (H). Open second Removable Link (J) to attach fixture to the Chain (K). Adjust Chain (K) length if necessary.
7. Unscrew the Lock Ring (I) from the Screw Collar with Loop (H). Allow the Lock Ring (I) and Canopy (F) to slide down the Chain (K) to the fixture body.
8. Thread wires through fixture. Carefully inspect the fixtures wires. The neutral fixture wire is white. The hot fixture wire is black. The ground wire is green.
9. Gently pull the wiring down from the ceiling junction box and allow it to hang.
10. Attach the ground wire from the fixture to the ground junction box wire from the ceiling box (usually green) using a Wire Connector (A) and wrap the connection with electrical tape. Be sure that no wire strands are exposed. If your ceiling box does not have a ground wire, insert the Green Ground Screw (D) into the Mounting Plate (B) facing down, and wrap the fixture's ground wire around the ground screw.
11. Connect the neutral fixture wire to the neutral junction box wire. Fasten each together with a Wire Connector (A) and wrap the connection with electrical tape. Be sure that no wire strands are exposed.
12. Connect the hot fixture wire to the hot junction box wire. Fasten each together with a Wire Connector (A) and wrap the connection with

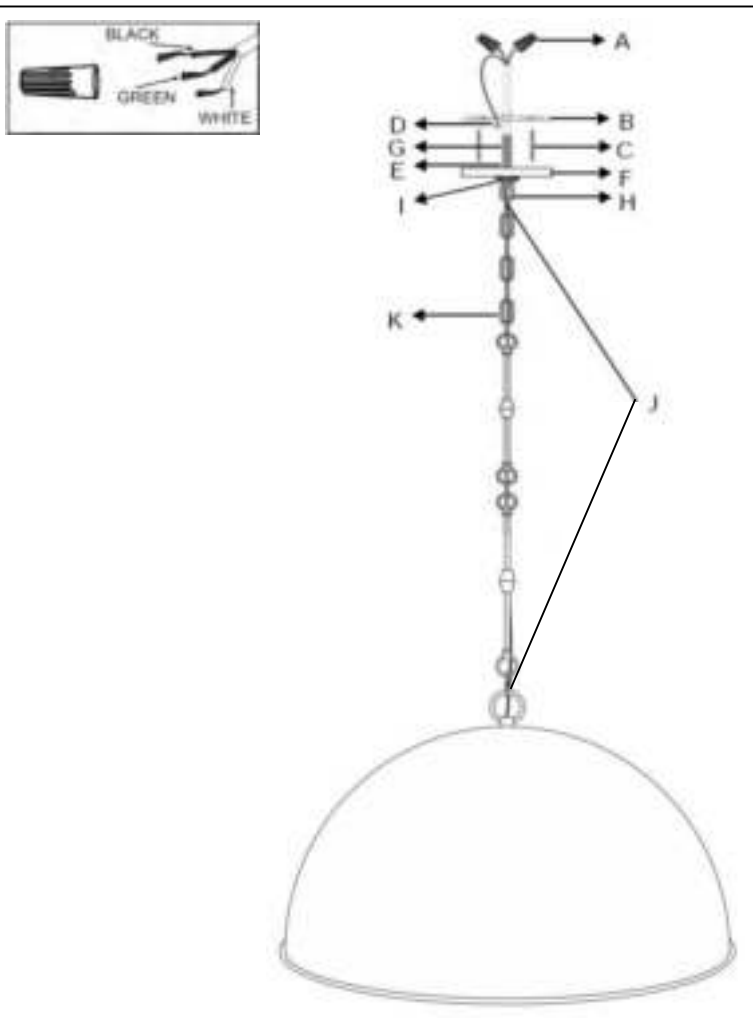
**DO NOT REVERSE THE HOT AND NEUTRAL CONNECTIONS OR SAFETY WILL BE COMPROMISED**

13. After all connection are made, tuck all wiring into the ceiling junction box. Cover the ceiling junction box with the Canopy (F), then lock with the Lock Ring (I).

WATLEY 36" WHITE DOME PENDANT

PARTS ENCLOSED:

- A. Wire Connectors (2)
- B. Mounting Plate (1)
- C. Mounting Screws (2)
- D. Green Ground Screw (1)
- E. Hex Nut (1)
- F. Canopy (1)
- G. Threaded Tube (1)
- H. Screw Collar With Loop (1)
- I. Lock Ring (1)
- J. Removable Link (2)
- K. Chain (1)



- 14. Insert Bulb A19 Do not exceed specified wattage.
- 15. Restore power to the outlet box and check operation of fixture.

CARE INSTRUCTIONS:

Do not polishes or cleaners on your lamp. Just wipe with soft, lint free cloth.

IMPORTANT SAFETY INSTRUCTIONS:

1. To avoid the risk of fire, do not exceed the recommended wattage for this fixture.

UL NO:E491659 UL RATING: DRY, MAX BULB WATTAGE: 60W
CONVERSION TO MAX LED WATTAGE: 12W
BULB: 1 X A-19 (NOT INCLUDED)

WARNINGS:

1. Hardwiring carries a risk of electric shock or electrocution. Failure to follow the instructions below could lead to severe injury death.
2. Before hardwiring your lamp, shut off the electrical supply from the main fuse box or circuit breaker. Check to make sure all parts are included. If any part is broken or missing, do not attempt to install the fixture.
3. All electrical wiring must be in accordance with national, state, and local electrical codes. If you are unfamiliar with wiring, use a licensed electrician.
4. Please don't remove chain packaging until installed due to potential damage and scratches to the shade.

ASSEMBLY & INSTALLATION:**SHUT OFF THE MAIN ELECTRICAL SUPPLY FROM THE FUSE BOX OR CIRCUIT BREAKER PANEL**

For your safety and convenience, assembly by two people is recommended.

1. Attach the Mounting Plate (B) to the ceiling outlet box using the enclosed Mounting Screws (C) and tighten with a screwdriver. The Green Ground Screw (D) should face the floor.
2. Remove the Threaded Tube (G) from the Screw Collar with Loop (H). Screw the Threaded Tube (G) into the Mounting Plate (B) fully.
3. Place the Canopy (F) over the Screw Collar with Loop (H) and screw into the Threaded Tube (G). Adjust the Threaded Tube (G) so that 1/4" of threading on the Screw Collar with Loop (H) extends beyond the Canopy(F).
4. Remove the Canopy (F) and Screw Collar with Loop (H) from the Threaded Tube (G). Fix the Threaded Tube (G) by tightening the Hex Nut (E) to sit flush against the Mounting Plate (B).
5. Thread the Screw Collar with Loop (H) back into the Threaded Tube (G). Install Canopy (F) by tightening the Lock Ring (I) on the Screw Collar with Loop (H).

**IT IS IMPERATIVE THAT THE OUTLET BOX IN YOUR HOME BE PROPERLY GROUNDED**

6. Open Removable Link (J) to attach Chain (K) to the Screw Collar with Loop (H). Open second Removable Link (J) to attach fixture to the Chain (K). Adjust Chain (K) length if necessary.
7. Unscrew the Lock Ring (I) from the Screw Collar with Loop (H). Allow the Lock Ring (I) and Canopy (F) to slide down the Chain (K) to the fixture body.
8. Thread wires through fixture. Carefully inspect the fixtures wires. The neutral fixture wire is white. The hot fixture wire is black. The ground wire is green.
9. Gently pull the wiring down from the ceiling junction box and allow it to hang.
10. Attach the ground wire from the fixture to the ground junction box wire from the ceiling box (usually green) using a Wire Connector (A) and wrap the connection with electrical tape. Be sure that no wire strands are exposed. If your ceiling box does not have a ground wire, insert the Green Ground Screw (D) into the Mounting Plate (B) facing down, and wrap the fixture's ground wire around the ground screw.
11. Connect the neutral fixture wire to the neutral junction box wire. Fasten each together with a Wire Connector (A) and wrap the connection with electrical tape. Be sure that no wire strands are exposed.
12. Connect the hot fixture wire to the hot junction box wire. Fasten each together with a Wire Connector (A) and wrap the connection with

**DO NOT REVERSE THE HOT AND NEUTRAL CONNECTIONS OR SAFETY WILL BE COMPROMISED**

13. After all connection are made, tuck all wiring into the ceiling junction box. Cover the ceiling junction box with the Canopy (F), then lock with the Lock Ring (I).

WOODEN GEODE BLACK CHANDELIER

parts enclosed:

- A. Wire connector (2)
- B. Mounting screw (2)

important safety instructions:

1. Professional installation recommended.
2. To avoid the risk of fire, do not exceed the recommended wattage for this fixture.

UL NO: E320392, UL RATING: DRY, MAX BULB WATTAGE: 60 W
 CONVERSION TO MAX LED WATTAGE: 12 W
 BULB: 5 X B-10 (NOT INCLUDED)

warnings:

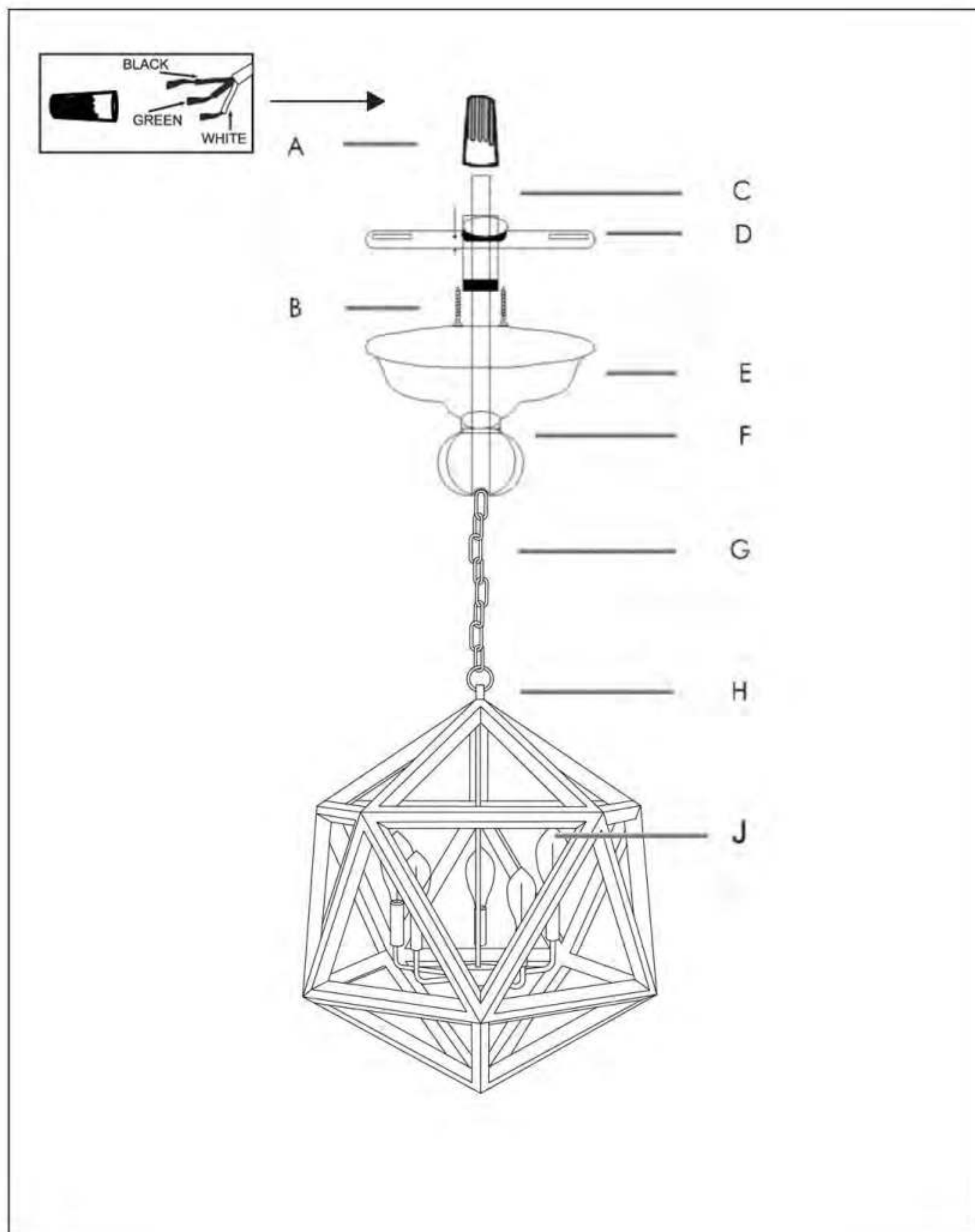
1. Do not remove the lamp from its packaging by pulling on the power cord, as a bad connection may result.
2. To avoid the risk of fire, electrical shock, or personal injury, turn off lamp and allow it to cool prior to replacing light bulb.
3. Do not touch bulb when fixture is turned on or look directly at lit bulb.
4. Keep flammable materials away from lit bulb.

to assemble:

1. Shut off the main electrical supply from the main fuse box/circuit breaker.
2. Measure desired drop of fixture from ceiling, and remove any unnecessary links from chain (G), if required.
3. Attach cross bar (D) to the threaded tube (C) and to ceiling outlet box using mounting screws (B).
4. Tuck the end link of the chain (H) and lift the chandelier to attach to the mounting loop and secure the link.
5. Feed wire through chain.
6. Pull wire from ceiling outlet box, and Attach Ground wire to the ground wire from the outlet box (Usually green wire) with a wire connector (A) and wrap the connection with electrical tape.
7. Connect the hot wire to the hot outlet box wire (usually black) with a plastic wire connector (A) and wrap the connection with electrical tape.
8. Connect the neutral wire to the neutral outlet wire (usually White) with a plastic wire connector (A) and wrap the connection with electrical tape.
9. Tuck these wire connections neatly into the ceiling outlet box.
10. Raise the canopy (E) up and hold flush against ceiling. Screw the chain nut (F) onto the threaded tube to secure it and hang the fixture.
11. Insert the recommended (J) 60 -watt MAX - B-10 Candelabra Bulb (not included).
12. Restore power to the junction box and test the fixture.

care instructions:

1. Wipe occasionally with a soft, lightly damp, lint free cloth. Finish with a dry cloth.
2. We do not recommend the use of chemical cleaners abrasives or any furniture polish.



PARTS INVENTORY

Super Category	Product ID	Description	Stat	Collection	Route
LIGHTING	912012WPCH	WOODEN PRISM 12 FT CHAIN 12 FT ANTO BRONZE CHAIN	A	PT-WDPRISM	PART
LIGHTING	912012WPCH6	WOODEN PRISM 6 FT CHAIN 6 FT ANTO BRONZE CHAIN	A	PT-WDPRISM	PART
LIGHTING	912012WPSL	WOODEN PRISM CANDLE SLEEVE ANTO BRONZE CANDLE COVER	A	PT-WDPRISM	PART
LIGHTING	912012WPCN	WOODEN PRISM CANOPY CANOPY W/ HARDWARE	A	PT-WDPRISM	PART

PRISM CHANDELIER

parts enclosed:

- A. Wire connector (2)
- B. Mounting screw (2)

important safety instructions:

1. Professional installation recommended.
2. To avoid the risk of fire, do not exceed the recommended wattage for this fixture.

UL NO: E320392, UL RATING: DRY, MAX BULB WATTAGE: 60 W
 CONVERSION TO MAX LED WATTAGE: 12 W
 BULB: 3 X B-10 (NOT INCLUDED)

warnings:

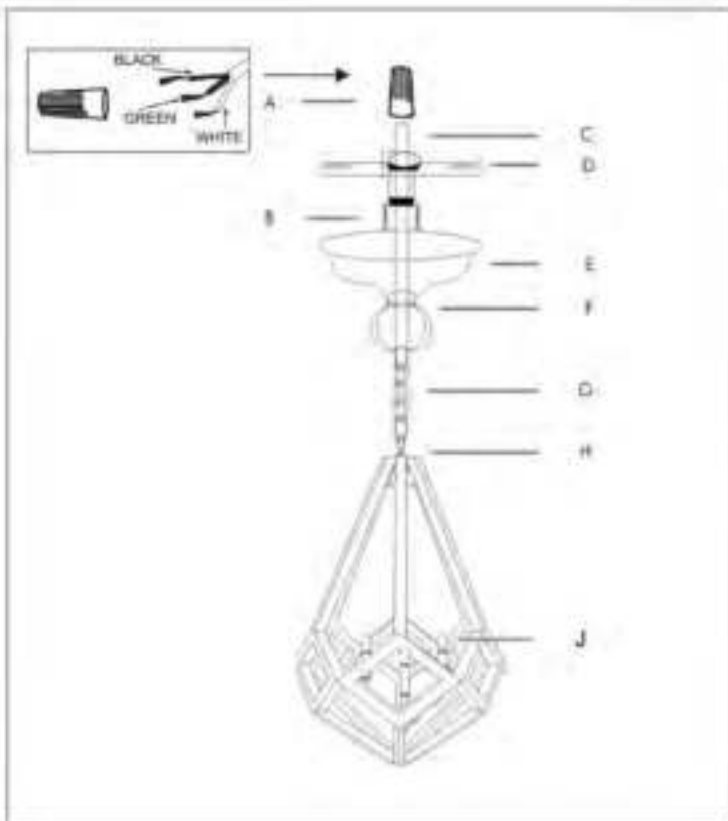
1. Do not remove the lamp from its packaging by pulling on the power cord, as a bad connection may result.
2. To avoid the risk of fire, electrical shock, or personal injury, turn off lamp and allow it to cool prior to replacing light bulb.
3. Do not touch bulb when fixture is turned on or look directly at lit bulb.
4. Keep flammable materials away from lit bulb.

to assemble:

1. Shut off the main electrical supply from the main fuse box/circuit breaker.
2. Measure desired drop of fixture from ceiling, and remove any unnecessary links from chain (G), if required.
3. Attach cross bar (D) to the threaded tube (C) and to ceiling outlet box using mounting screws (B).
4. Tuck the end link of the chain (H) and lift the chandelier to attach to the mounting loop and secure the link.
5. Feed wire through chain.
6. Pull wire from ceiling outlet box, and Attach Ground wire to the ground wire from the outlet box (Usually green wire) with a wire connector (A) and wrap the connection with electrical tape.
7. Connect the hot wire to the hot outlet box wire (usually black) with a plastic wire connector (A) and wrap the connection with electrical tape.
8. Connect the neutral wire to the neutral outlet wire (usually White) with a plastic wire connector (A) and wrap the connection with electrical tape.
9. Tuck these wire connections neatly into the ceiling outlet box.
10. Raise the canopy (E) up and hold flush against ceiling. Screw the chain nut (F) onto the threaded tube to secure it and hang the fixture.
11. Insert the recommended (J) 60 -watt MAX - B-10 Candelabra Bulb (not included).
12. Restore power to the junction box and test the fixture.

care instructions:

1. Wipe occasionally with a soft, lightly damp, lint free cloth. Finish with a dry cloth.
2. We do not recommend the use of chemical cleaners abrasives or any furniture polish.



WOODEN PRISM BLACK CHANDELIER

parts enclosed:

- A. Wire connector (2)
- B. Mounting screw (2)

important safety instructions:

1. Professional installation recommended.
2. To avoid the risk of fire, do not exceed the recommended wattage for this fixture.

UL NO: E320392, UL RATING: DRY, MAX BULB WATTAGE: 60 W
 CONVERSION TO MAX LED WATTAGE: 12 W
 BULB: 3 X B-10 (NOT INCLUDED)

warnings:

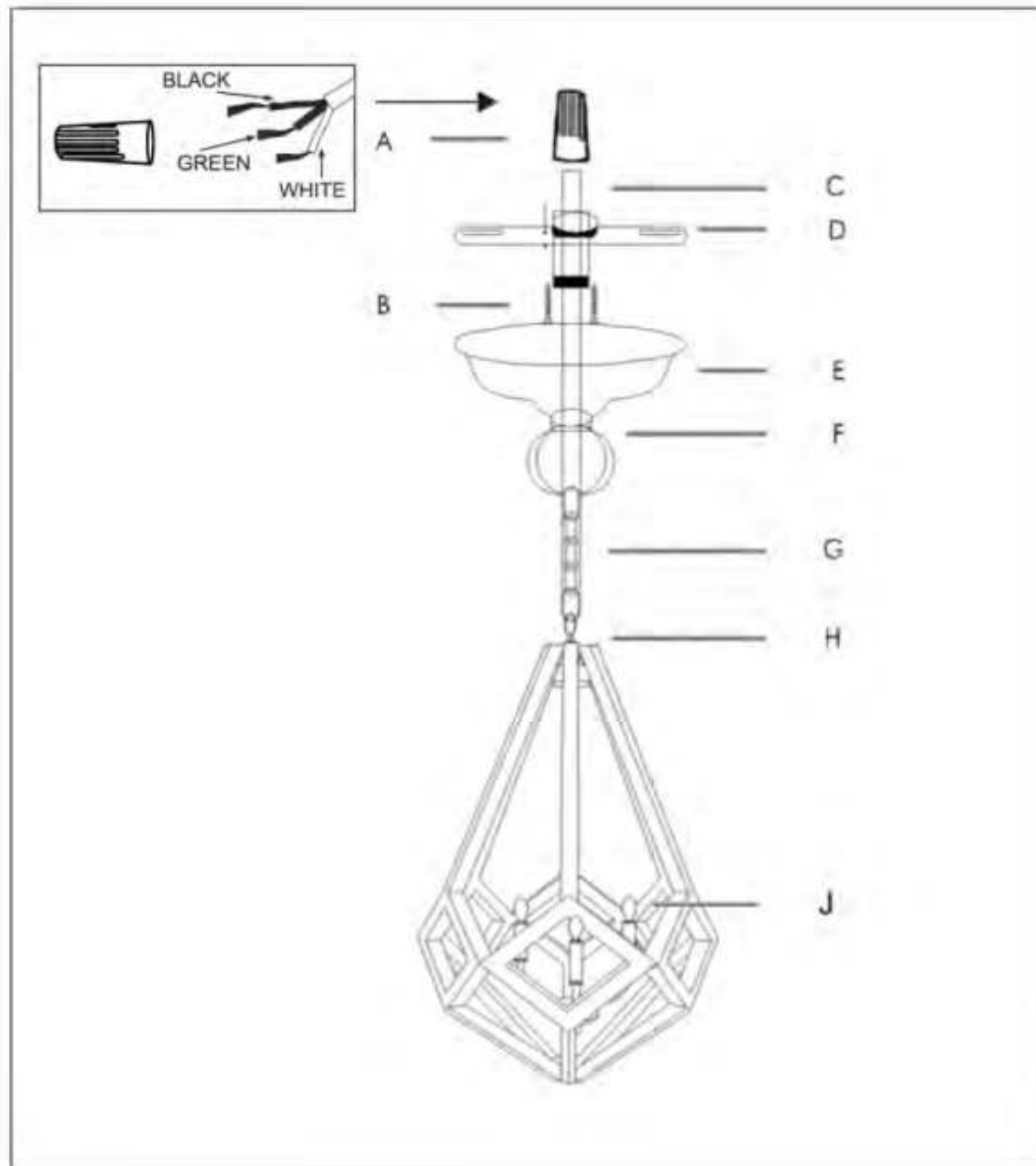
1. Do not remove the lamp from its packaging by pulling on the power cord, as a bad connection may result.
2. To avoid the risk of fire, electrical shock, or personal injury, turn off lamp and allow it to cool prior to replacing light bulb.
3. Do not touch bulb when fixture is turned on or look directly at lit bulb.
4. Keep flammable materials away from lit bulb.

to assemble:

1. Shut off the main electrical supply from the main fuse box/circuit breaker.
2. Measure desired drop of fixture from ceiling, and remove any unnecessary links from chain (G), if required.
3. Attach cross bar (D) to the threaded tube (C) and to ceiling outlet box using mounting screws (B).
4. Tuck the end link of the chain (H) and lift the chandelier to attach to the mounting loop and secure the link.
5. Feed wire through chain.
6. Pull wire from ceiling outlet box, and Attach Ground wire to the ground wire from the outlet box (Usually green wire) with a wire connector (A) and wrap the connection with electrical tape.
7. Connect the hot wire to the hot outlet box wire (usually black) with a plastic wire connector (A) and wrap the connection with electrical tape.
8. Connect the neutral wire to the neutral outlet wire (usually White) with a plastic wire connector (A) and wrap the connection with electrical tape.
9. Tuck these wire connections neatly into the ceiling outlet box.
10. Raise the canopy (E) up and hold flush against ceiling. Screw the chain nut (F) onto the threaded tube to secure it and hang the fixture.
11. Insert the recommended (J) 60 -watt MAX - B-10 Candelabra Bulb (not included).
12. Restore power to the junction box and test the fixture.

care instructions:

1. Wipe occasionally with a soft, lightly damp, lint free cloth. Finish with a dry cloth.
2. We do not recommend the use of chemical cleaners abrasives or any furniture polish.



WOODEN PRISM GREY CHANDELIER

parts enclosed:

- A. Wire connector (2)
- B. Mounting screw (2)

important safety instructions:

1. Professional installation recommended.
2. To avoid the risk of fire, do not exceed the recommended wattage for this fixture.

UL NO: E320392, UL RATING: DRY, MAX BULB WATTAGE: 60 W
 CONVERSION TO MAX LED WATTAGE: 12 W
 BULB: 3 X B-10 (NOT INCLUDED)

warnings:

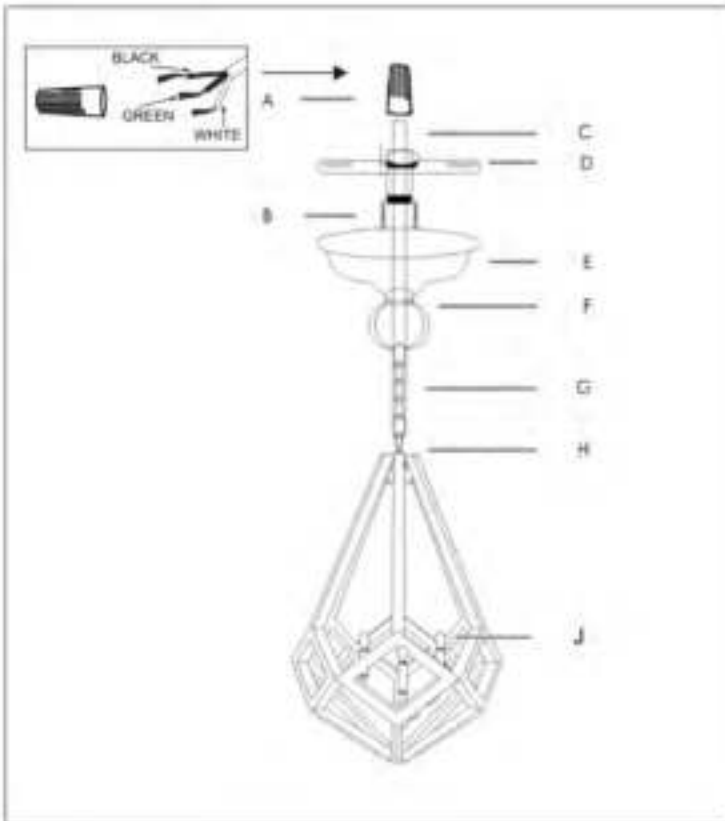
1. Do not remove the lamp from its packaging by pulling on the power cord, as a bad connection may result.
2. To avoid the risk of fire, electrical shock, or personal injury, turn off lamp and allow it to cool prior to replacing light bulb.
3. Do not touch bulb when fixture is turned on or look directly at lit bulb.
4. Keep flammable materials away from lit bulb.

to assemble:

1. Shut off the main electrical supply from the main fuse box/circuit breaker.
2. Measure desired drop of fixture from ceiling, and remove any unnecessary links from chain (G), if required.
3. Attach cross bar (D) to the threaded tube (C) and to ceiling outlet box using mounting screws (B).
4. Tuck the end link of the chain (H) and lift the chandelier to attach to the mounting loop and secure the link.
5. Feed wire through chain.
6. Pull wire from ceiling outlet box, and Attach Ground wire to the ground wire from the outlet box (Usually green wire) with a wire connector (A) and wrap the connection with electrical tape.
7. Connect the hot wire to the hot outlet box wire (usually black) with a plastic wire connector (A) and wrap the connection with electrical tape.
8. Connect the neutral wire to the neutral outlet wire (usually White) with a plastic wire connector (A) and wrap the connection with electrical tape.
9. Tuck these wire connections neatly into the ceiling outlet box.
10. Raise the canopy (E) up and hold flush against ceiling. Screw the chain nut (F) onto the threaded tube to secure it and hang the fixture.
11. Insert the recommended (J) 60 -watt MAX - B-10 Candelabra Bulb (not included).
12. Restore power to the junction box and test the fixture.

care instructions:

1. Wipe occasionally with a soft, lightly damp, lint free cloth. Finish with a dry cloth.
2. We do not recommend the use of chemical cleaners abrasives or any furniture polish.



Super Category	Product ID	Description	Stat	Collection	Route
LIGHTING	917198L137SH	ABBOTT FLOOR LAMP SHADE REPL LINEN/COTTON SHADE REPLACEMENT	A	PT-ABBOTT	
LIGHTING	917198L136F	ABBOTT TABLE LAMP FINIAL REPLACEMENT PART	A	PT-ABBOTT	PART
LIGHTING	917198L136H	ABBOTT TABLE LAMP HARP REPLACEMENT PART	A	PT-ABBOTT	PART
LIGHTING	911989L0560F	ADRANO TABLE LAMP FINIAL BRUSHED NICKEL FINIAL	A	PT-ADRANO	PART
LIGHTING	911989L0560H	ADRANO TABLE LAMP HARP NICKEL HARP	A	PT-ADRANO	PART
LIGHTING	91AMORCCH2	AMOROSO CAROUSEL 12 FT CHAIN 12 FT CHAIN	A	PT-AMOROSO	PART
LIGHTING	91AMORCCH62	AMOROSO CAROUSEL 6 FT CHAIN 6 FT CHAIN	A	PT-AMOROSO	PART
LIGHTING	91AMORCCN2	AMOROSO CAROUSEL CANOPY CANOPY & HARDWARE	A	PT-AMOROSO	PART
LIGHTING	91AMORCQLS2	AMOROSO CAROUSEL QUICK LINKS SET OF 2 QUICK LINKS	T	PT-AMOROSO	PART
LIGHTING	91AMORCRYS	AMOROSO REPLACEMENT CRYSTAL 5" DIAM. CRYSTAL	A	PT-AMOROSO	PART
LIGHTING	91AMORCCH	DO NOT USE DO NOT USE	A	PT-AMOROSO	
LIGHTING	91AMORCCH6	DO NOT USE DO NOT USE	A	PT-AMOROSO	
LIGHTING	91AMORCCN	DO NOT USE DO NOT USE	A	PT-AMOROSO	
LIGHTING	91AMORCQLS	DO NOT USE DO NOT USE	A	PT-AMOROSO	
LIGHTING	912036ANACRB	ANABELLA BALL W/ STRAND GLASS BALL CRYSTAL W/ STRAND	A	PT-ANABELL	PART
LIGHTING	91ANABELFIN	ANABELLA BRS TOP LAMP FINIAL BRASS FINIAL FOR TL/FL	A	PT-ANABELL	PART
LIGHTING	91ANABFLTF	ANABELLA GLASS PIECE FINIAL GLASS SPHERE FINIAL TL/FL	A	PT-ANABELL	PART
LIGHTING	912036ANACH	ANABELLA GOLD 12 FT CHAIN .16" X 12 FT GOLD CHAIN	A	PT-ANABELL	PART
LIGHTING	912036ANACH6	ANABELLA GOLD 6 FT CHAIN .16" X 6 FT GOLD CHAIN	A	PT-ANABELL	PART
LIGHTING	912036H340CN	ANABELLA GOLD RECT CANOPY RECT CANOPY W/ HARDWARE	A	PT-ANABELL	PART
LIGHTING	912036ANACN	ANABELLA GOLD ROUND CANOPY GOLD CANOPY W/ HARDWARE	A	PT-ANABELL	PART
LIGHTING	912036ANACRL	ANABELLA LG CRYSTAL LARGE 3" GLASS CRYSTAL	A	PT-ANABELL	PART
LIGHTING	912036ANALGT	ANABELLA LG TEARDROP LG GLASS TEARDROP CRYSTAL	A	PT-ANABELL	PART
LIGHTING	912036ANACRM	ANABELLA MD CRYSTAL MEDIUM 2.5" GLASS CRYSTAL	A	PT-ANABELL	PART
LIGHTING	912036NIKCH	ANABELLA NICKEL 12 FT CHAIN .16" X 12 FT NICKEL CHAIN	A	PT-ANABELL	PART
LIGHTING	912036NIKCH6	ANABELLA NICKEL 6 FT CHAIN .16" X 6 FT NICKEL CHAIN	A	PT-ANABELL	PART
LIGHTING	912036H369CN	ANABELLA NICKEL RECT CANOPY NICKEL RECT CANOPY W/ HRDWR	A	PT-ANABELL	PART
LIGHTING	912036NIKCN	ANABELLA NICKEL ROUND CANOPY NICKEL CANOPY W/ HARDWARE	A	PT-ANABELL	PART
LIGHTING	912036ANACL	ANABELLA S/10 BRNZ CLIPS SET OF 10 CLIPS	A	PT-ANABELL	PART
LIGHTING	912036ANACRS	ANABELLA SM CRYSTAL SMALL 2" GLASS CRYSTAL	A	PT-ANABELL	PART
LIGHTING	912036ANASMT	ANABELLA SM TEARDROP SM GLASS TEARDROP CRYSTAL	A	PT-ANABELL	PART
LIGHTING	912036ANAF	ANABELLA TABLE LAMP FINIAL GLASS FINIAL	A	PT-ANABELL	PART
LIGHTING	91ANATLTDB	ANABELLA TL TEARDROP CRYSTALS BOX OF CRYSTALS FOR ANA TL	A	PT-ANABELL	PART

Super Category	Product ID	Description	Stat	Collection	Route
LIGHTING	91ANDARCH	ANDALUCIA 12 FT CHAIN 0.16 X 12 FT SILVER FOIL CHAIN	A	PT-ANDALUC	PART
LIGHTING	91ANDALCH	ANDALUCIA 3-TIER 12 FT CHAIN 0.2 X 12 FT SILVER FOIL CHAIN	A	PT-ANDALUC	PART
LIGHTING	91ANDALCH6	ANDALUCIA 3-TIER 6 FT CHAIN 0.2 X 6 FT SILVER FOIL CHAIN	A	PT-ANDALUC	PART
LIGHTING	91ANDALUCAN	ANDALUCIA 3-TIER CANOPY 4.73" CANOPY W/ MTG HRDWR	T	PT-ANDALUC	PART
LIGHTING	91ANDARCH6	ANDALUCIA 6 FT CHAIN 0.16 X 6 FT SILVER FOIL CHAIN	A	PT-ANDALUC	PART
LIGHTING	91ANDALCHOOK	ANDALUCIA CHAND C HOOK C HOOK ATTACHMENT UNIV.	A	PT-ANDALUC	PART
LIGHTING	912036H105S	ANDALUCIA RECT CANOPY SCREWS S/5 ANTQ SILVER SCREW REPL	A	PT-ANDALUC	PART
LIGHTING	91ANDRCTCRC	ANDALUCIA RECT CLEAR CRYSTAL 9.45" CLEAR CRYSTAL W/RING	A	PT-ANDALUC	PART
LIGHTING	91ANDRCTCRS	ANDALUCIA RECT SILVER CRYSTAL 9.45" IRON CRYSTAL W/RING	A	PT-ANDALUC	PART
LIGHTING	91ANDRDCRC	ANDALUCIA ROUND CLEAR CRYSTAL 11.82" CLEAR CRYSTAL W/RING	A	PT-ANDALUC	PART
LIGHTING	91ANDRDCRS	ANDALUCIA ROUND SILVER CRYSTAL 11.82" IRON CRYSTAL W/RING	A	PT-ANDALUC	PART
LIGHTING	9110031H17CH	ANDREAS CHAND 12 FT CHAIN 12 FT BRONZE CHAIN	A	PT-ANDREAS	PART
LIGHTING	9110031H17P12	ANDREAS CHAND 12" ROD 12" BRONZE ROD	A	PT-ANDREAS	PART
LIGHTING	9110031H17P18	ANDREAS CHAND 18" ROD 18" BRONZE ROD	A	PT-ANDREAS	PART
LIGHTING	9110031H17CH6	ANDREAS CHAND 6 FT CHAIN 6 FT BRONZE CHAIN	A	PT-ANDREAS	PART
LIGHTING	9110031H17P6	ANDREAS CHAND 6" ROD 6" BRONZE ROD	A	PT-ANDREAS	PART
LIGHTING	9110031H17G	ANDREAS CHAND GLASS TUBE 2.4" GLASS TUBE REPLACEMENT	A	PT-ANDREAS	PART
LIGHTING	9110031H20CN	ANDREAS CHAND RECT CANOPY 10X4.5 RECT CANOPY W/ HARDWARE	A	PT-ANDREAS	PART
LIGHTING	9110031H17CN	ANDREAS CHAND ROUND CANOPY 9.9" DIAM CANOPY W/ HARDWARE	A	PT-ANDREAS	PART
LIGHTING	9110031H21CN	ANDREAS PENDANT CANOPY 5" DIAM CANOPY W/ HARDWARE	A	PT-ANDREAS	PART
LIGHTING	9110031H21G	ANDREAS PENDANT GLASS TUBE 3.5" GLASS TUBE REPLACEMENT	A	PT-ANDREAS	PART
LIGHTING	9110031H21MP	ANDREAS SCONCE HARDWARE MOUNTING PLATE W/ HARDWARE	A	PT-ANDREAS	PART
LIGHTING	911989ANDF	ANDROMEDA TABLE LAMP FINIAL NICKEL FINIAL	A	PT-ANDROME	PART
LIGHTING	91594L040CH	ANKARA PENDANT 12 FT CHAIN 12 FT HANGING CHAIN	A	PT-ANKARA	PART
LIGHTING	91594L040CH6	ANKARA PENDANT 6 FT CHAIN 6 FT HANGING CHAIN	A	PT-ANKARA	PART
LIGHTING	91594L040CN	ANKARA PENDANT CANOPY CANOPY W/ HARDWARE	A	PT-ANKARA	PART
LIGHTING	91ANKARSCR	ANKARA S/3 NUTS SET OF 3 NUTS	T	PT-ANKARA	PART
LIGHTING	91230L360F	ANTOINETTE TABLE LAMP FINIAL ANTQ BRASS FINIAL	A	PT-ANTOINT	PART
LIGHTING	91230L360H	ANTOINETTE TABLE LAMP HARP 8" ANTQ BRASS HARP	A	PT-ANTOINT	PART
LIGHTING	91230L360SH	ANTOINETTE TABLE LAMP SHADE ANTQ BEIGE SHADE REPLACEMENT	A	PT-ANTOINT	
LIGHTING	91APOLRDBR15	APOLLO BRASS 15" EXT ROD BRASS 15" ROD	A	PT-APOLLO	PART
LIGHTING	91APOLRDBR8	APOLLO BRASS 8" EXT ROD BRASS 8" ROD	A	PT-APOLLO	PART
LIGHTING	91APOLRDBZ15	APOLLO BRONZE 15" EXT ROD BRONZE 15" ROD	A	PT-APOLLO	PART

Super Category	Product ID	Description	Stat	Collection	Route
LIGHTING	91APOLRDBZ8	APOLLO BRONZE 8" EXT ROD BRONZE 8" ROD	A	PT-APOLLO	PART
LIGHTING	912036H128R2	APOLLO CHAND 15.75" ROD HANGING ROD 15.75	A	PT-APOLLO	PART
LIGHTING	912036ROD1	APOLLO CHAND 7.9" ROD HANGING ROD 7.9	A	PT-APOLLO	PART
LIGHTING	912036G9BULB	APOLLO CHAND DIM G9 BULB DIMMABLE G9 2W LED BULB	A	PT-APOLLO	PART
LIGHTING	912036H128C	APOLLO CHAND SLOPE CONNECTOR CONNECTING HARDWARE FOR SLOPE	A	PT-APOLLO	PART
LIGHTING	912036H128CN	APOLLO CHANDELIER CANOPY CANOPY WITH HARDWARE	A	PT-APOLLO	PART
LIGHTING	912036H128S	APOLLO CHANDELIER GLASS SHADE ROUND GLASS SHADE	A	PT-APOLLO	
LIGHTING	912036H128B	APOLLO CHANDELIER LED BULB G9 2W LED BULB	T	PT-APOLLO	PART
LIGHTING	912036L214D	ARC FLOOR LAMP DIFFUSER 19.7" ACRYLIC DIFFUSER	A	PT-ARC	PART
LIGHTING	912036L214F	ARC FLR LAMP GLASS FINIAL BRNZ 1.6" GLASS FINIAL BRONZE	A	PT-ARC	PART
LIGHTING	912036L216F	ARC FLR LAMP GLASS FINIAL BRS 1.6" GLASS FINIAL BRASS	A	PT-ARC	PART
LIGHTING	912036114D	ARC LAMP DIFFUSER REPLACEMENT ACRYLIC DIFFUSER	D	PT-ARC	PART
LIGHTING	913507L054F	ARDEA FLOOR LAMP FINIAL FINIAL	A	PT-ARDEA	PART
LIGHTING	913507L054H	ARDEA FLOOR LAMP HARP HARP	A	PT-ARDEA	PART
LIGHTING	913507L055F	ARDEA TABLE LAMP FINIAL FINIAL	A	PT-ARDEA	PART
LIGHTING	913507L055H	ARDEA TABLE LAMP HARP HARP	A	PT-ARDEA	PART
LIGHTING	91ARROWSHD	ARROW GLASS SHADE GLASS SHADE	T	PT-ARROW	
LIGHTING	91ATWOODCH3	ATWOOD 3 FT. CHAIN 3 FT. CHAIN	A	PT-ATWOOD	PART
LIGHTING	91AUBREYCAN	AUBREY 12.5" RND SVR CANOPY 12.5" DIA CANOPY	T	PT-AUBREY	PART
LIGHTING	91636H206CN	AUBREY 14.5 CM RUST CANOPY RUST FINISH CANOPY W/ HARDWARE	A	PT-AUBREY	PART
LIGHTING	91636H65CN	AUBREY 14.5 CM SILVER CANOPY GREY SILV CANOPY W/ HDWR	A	PT-AUBREY	PART
LIGHTING	91AUBREYCANO	AUBREY 14.5" RND BRZ CANOPY 14.5" DIA CANOPY	T	PT-AUBREY	PART
LIGHTING	91636H359CN	AUBREY 16.5 CM RUST OVL CANOPY RUST OVAL CANOPY W/ HARDWARE	A	PT-AUBREY	PART
LIGHTING	91636H74CN	AUBREY 16.5CM OVAL SLVR CANOPY GREY SILV OVAL CANOPY W/ HDWR	A	PT-AUBREY	PART
LIGHTING	91636H65CH	AUBREY 4 MM 12' SILVER CHAIN 4 MM X 3.7 MT GREY SILV CHAIN	A	PT-AUBREY	PART
LIGHTING	91636H65CH6	AUBREY 4 MM 6' SILVER CHAIN 4 MM X 1.8 MT GREY SILV CHAIN	A	PT-AUBREY	PART
LIGHTING	91636H206CH	AUBREY 4 MM RUST 12' CHAIN 4 MM X 3.7 MT RUST FINSH CHAIN	A	PT-AUBREY	PART
LIGHTING	91636H206CH6	AUBREY 4 MM RUST 6' CHAIN 4 MM X 1.8 MT RUST FINSH CHAIN	A	PT-AUBREY	PART
LIGHTING	91636H71CH	AUBREY 5 MM 12' SILVER CHAIN 5 MM X 3.7 MT GREY SILV CHAIN	A	PT-AUBREY	PART
LIGHTING	91636H71CH6	AUBREY 5 MM 6' SILVER CHAIN 5 MM X 1.8 MT GREY SILV CHAIN	A	PT-AUBREY	PART
LIGHTING	91636H361CH	AUBREY 5 MM RUST 12' CHAIN 5 MM X 3.7 MT RUST FINSH CHAIN	A	PT-AUBREY	PART
LIGHTING	91636H361CH6	AUBREY 5 MM RUST 6' CHAIN 5 MM X 1.8 MT RUST FINSH CHAIN	A	PT-AUBREY	PART
LIGHTING	91636H206F	AUBREY CHANDELIER GLASS FINIAL 40 MM GLASS CHAND FINIAL	A	PT-AUBREY	PART

Super Category	Product ID	Description	Stat	Collection	Route
LIGHTING	91636L434F	AUBREY FLOOR LAMP GLASS FINIAL 40 MM GLASS LAMP FINIAL	A	PT-AUBREY	PART
LIGHTING	91636L0434CL	AUBREY GOLD CLIPS S/10 SET OF 10-ATTACH ROD TO FRAME	A	PT-AUBREY	PART
LIGHTING	91636H206CRL	AUBREY LARGE CRYSTAL W/ ROD 40 MM GLASS SPHERE W/ ROD	A	PT-AUBREY	PART
LIGHTING	91636H203L	AUBREY LRG CRYSTAL W/ BRZ ROD 40 MM GLASS W/ BRZ ROD	A	PT-AUBREY	PART
LIGHTING	91636H65CRL	AUBREY LRG CRYSTAL W/ SLVR ROD 40 MM GLASS SPHERE W/ ROD	A	PT-AUBREY	PART
LIGHTING	91636H203M	AUBREY MED CRYSTAL W/ BRZ ROD 30 MM GLASS W/ BRZ ROD	A	PT-AUBREY	PART
LIGHTING	91636H65CRM	AUBREY MED CRYSTAL W/ SLVR ROD 30 MM GLASS SPHERE W/ ROD	A	PT-AUBREY	PART
LIGHTING	91636H206CRM	AUBREY MEDIUM CRYSTAL W/ ROD 30 MM GLASS SPHERE W/ ROD	A	PT-AUBREY	PART
LIGHTING	91AUBRSBP	AUBREY RUST SCONCE BACK PLATE BACK PLATE/ HARDWARE	A	PT-AUBREY	PART
LIGHTING	91636H65CL	AUBREY SILVER CLIPS S/10 SET OF 10-ATTACH ROD TO FRAME	A	PT-AUBREY	PART
LIGHTING	91636H206CRS	AUBREY SMALL CRYSTAL W/ ROD 20 MM GLASS SPHERE W/ ROD	A	PT-AUBREY	PART
LIGHTING	91636H203S	AUBREY SML CRYSTAL W/ BRZ ROD 20 MM GLASS W/ BRZ ROD	A	PT-AUBREY	PART
LIGHTING	91636H65CRS	AUBREY SML CRYSTAL W/ SLVR ROD 20 MM GLASS SPHERE W/ ROD	A	PT-AUBREY	PART
LIGHTING	91230L428F	AVALON TABLE LAMP FINIAL POLISHED NICKEL FINIAL	A	PT-AVALON	PART
LIGHTING	91230L428H	AVALON TABLE LAMP HARP 10" POLISHED NICKEL HARP	A	PT-AVALON	PART
LIGHTING	91230L428SH	AVALON TABLE LAMP SHADE IVORY SHADE REPLACEMENT	D	PT-AVALON	
LIGHTING	91230L429F	BALOR TABLE LAMP FINIAL CLEAR + BRASS HARP	A	PT-BALOR	PART
LIGHTING	91230L429H	BALOR TABLE LAMP HARP 8.5" BRASS HARP	A	PT-BALOR	PART
LIGHTING	91230L429SH	BALOR TABLE LAMP SHADE BLACK SHADE REPLACEMENT	A	PT-BALOR	
LIGHTING	91BAUCLSHCLR	BAUER CLOCHE CLR SHADE GLASS SHADE	A	PT-BAUER	PART
LIGHTING	912036BDLB	BEADED LAMP LARGE BEAD .59" GREY BEAD W/ GOLD	A	PT-BEADED	PART
LIGHTING	912036BDS	BEADED LAMP SCREW BLACK SCREW FOR BEADS	A	PT-BEADED	PART
LIGHTING	912036BDSB	BEADED LAMP SMALL BEAD .32" GREY BEAD W/ GOLD	A	PT-BEADED	PART
LIGHTING	91594L572F	BELVEDERE TABLE LAMP FINIAL ANTIQU BRASS FINIAL	A	PT-BELVEDE	PART
LIGHTING	91594L572H	BELVEDERE TABLE LAMP HARP BRASS HARP	A	PT-BELVEDE	PART
LIGHTING	91636H358CN	BONITA 12.5 CM CANOPY SILVER CLAY CANOPY W/ HARDWARE	A	PT-BONITA	PART
LIGHTING	91636H155CN	BONITA 14.5 CM CANOPY SILVER CLAY CANOPY W/ HARDWARE	A	PT-BONITA	PART
LIGHTING	91636H358CH	BONITA 3 MM 12 FT CHAIN 3 MM X 3.7 MT SLVR CLY CHAIN	A	PT-BONITA	PART
LIGHTING	91636H358CH6	BONITA 3 MM 6 FT CHAIN 3 MM X 1.8 MT SLVR CLY CHAIN	A	PT-BONITA	PART
LIGHTING	91636H155CH	BONITA 5 MM 12 FT CHAIN 5 MM X 3.7 MT SILV CLAY CHAIN	A	PT-BONITA	PART
LIGHTING	91636H155CH6	BONITA 5 MM 6 FT CHAIN 5 MM X 1.8 MT SLVR CLY CHAIN	A	PT-BONITA	PART
LIGHTING	91636H155CC	BONITA CHANDELIER CANDLE COVER SHORT METAL SILVER/CLAY SLEEVE	A	PT-BONITA	PART
LIGHTING	91636BONCRL	BONITA LARGE CRYSTAL 150 MM GLASS CRYSTAL W/ SILVER	A	PT-BONITA	PART

Super Category	Product ID	Description	Stat	Collection	Route
LIGHTING	91636H110CC	BONITA SILVER CANDLE COVER IVORY SILVER CANDLE COVER	A	PT-BONITA	PART
LIGHTING	91636H110CH	BONITA SILVER CHAND 12 FT CHN 12FT IVORY SILV FINISH CHN 5MM	A	PT-BONITA	PART
LIGHTING	91636H110CH6	BONITA SILVER CHAND 6 FT CHAIN 6 FT IVORY SILV FINISH CHN 5MM	A	PT-BONITA	PART
LIGHTING	91636H110CN	BONITA SILVER CHAND CANOPY IVORY SILVER LG CANOPY W/ HRDW	A	PT-BONITA	PART
LIGHTING	91636BONCRS	BONITA SMALL CRYSTAL 80 MM GLASS CRYSTAL W/ SILVER	A	PT-BONITA	PART
LIGHTING	91CANCLCRL	CANCELLO PRISM CRYSTAL LARGE 100 MM CRYSTAL W/CLIP	A	PT-CANCELL	PART
LIGHTING	91CABCLCRS	CANCELLO PRISM CRYSTAL SMALL 65 MM CRYSTAL W/CLIP	A	PT-CANCELL	PART
LIGHTING	912036H118CH	CAPIZ CHANDELIER 12 FT CHAIN .16" X 12 FT HANGING CHAIN	A	PT-CAPIZ	PART
LIGHTING	912036H118C6	CAPIZ CHANDELIER 6 FT CHAIN .16" X 6 FT HANGING CHAIN	A	PT-CAPIZ	PART
LIGHTING	912036H118CL	CAPIZ CHANDELIER BRONZE CLIP BRONZE CLIP TO HANG SEA SHELL	A	PT-CAPIZ	PART
LIGHTING	912036H118CN	CAPIZ CHANDELIER CANOPY ANTIQUE SILVER CANOPY	A	PT-CAPIZ	PART
LIGHTING	912036H118R	CAPIZ CHANDELIER S/10 RING SET OF 10 RINGS TO LINK SHELLS	A	PT-CAPIZ	PART
LIGHTING	912036H118S1	CAPIZ CHANDELIER SEA SHELL 1 ROUND HANGING SHELL 8"H X 2"W	A	PT-CAPIZ	PART
LIGHTING	912036H118S2	CAPIZ CHANDELIER SEA SHELL 2 ROUND HANGING SHELL 16.5"HX2"W	A	PT-CAPIZ	PART
LIGHTING	912036H118S3	CAPIZ CHANDELIER SEA SHELL 3 ROUND HANGING SHELL 25"H X 2"W	A	PT-CAPIZ	PART
LIGHTING	91954L108F	CARLISLE TABLE LAMP FINIAL 1.5" ANTQ BRASS FINIAL	D	PT-CARLISL	PART
LIGHTING	91954L108H	CARLISLE TABLE LAMP HARP 7" ANTQ BRASS HARP	D	PT-CARLISL	PART
LIGHTING	91594L403CH	CARRAWAY CHAND 12 FT CHAIN 12 FT HANGING CHAIN	A	PT-CARRAWA	PART
LIGHTING	91594L403CH6	CARRAWAY CHAND 6 FT CHAIN 6 FT HANGING CHAIN	A	PT-CARRAWA	PART
LIGHTING	91594L403CL	CARRAWAY CHAND S/50 CLIPS SET OF 50 HANGING CLIPS	A	PT-CARRAWA	PART
LIGHTING	91594L403CN	CARRAWAY CHANDELIER CANOPY CANOPY W/ HARDWARE	A	PT-CARRAWA	PART
LIGHTING	91594L439RG	CARSON FLOOR LAMP LOCK RING SHADE LOCK RING	D	PT-CARSON	PART
LIGHTING	912012H064CSS	CASCADE 50MM BRZ CANDLE SLEEVE ANTQ. BRONZE CANDLE SLEEVE	A	PT-CASCADE	PART
LIGHTING	912012H064CS	CASCADE 70MM BRZ CANDLE SLEEVE ANTQ. BRONZE CANDLE SLEEVE	A	PT-CASCADE	PART
LIGHTING	912012H064CH	CASCADE GREY CHAND 12 FT CHAIN 12 FT RUST HANGING CHAIN	A	PT-CASCADE	PART
LIGHTING	912012H064C6	CASCADE GREY CHAND 6 FT CHAIN 6 FT RUST HANGING CHAIN	A	PT-CASCADE	PART
LIGHTING	912012H064CN	CASCADE GREY CHAND CANOPY RUST CANOPY WITH HARDWARE	A	PT-CASCADE	PART
LIGHTING	912012H127CH	CASCADE IVORY CHAND 12FT CHAIN 12 FT BLACK HANGING CHAIN	A	PT-CASCADE	PART
LIGHTING	912012H127C6	CASCADE IVORY CHAND 6 FT CHAIN 6 FT BLACK HANGING CHAIN	A	PT-CASCADE	PART
LIGHTING	912012H127CN	CASCADE IVORY CHAND CANOPY BLACK CANOPY WITH HARDWARE	A	PT-CASCADE	PART
LIGHTING	913507L122F	CASETI FLOOR LAMP FINIAL BRASS FINIAL 2" H	A	PT-CASETI	PART
LIGHTING	913507L122H	CASETI FLOOR LAMP HARP BRASS HARP 8" H	A	PT-CASETI	PART
LIGHTING	913507L123SH	CASETI REPLACEMENT SHADE LINEN REPLACEMENT SHADE	A	PT-CASETI	

Super Category	Product ID	Description	Stat	Collection	Route
LIGHTING	913507L123F	CASETI TABLE LAMP FINIAL BRASS FINIAL 1" H	A	PT-CASETI	PART
LIGHTING	913507L123H	CASETI TABLE LAMP HARP BRASS HARP 7" H	A	PT-CASETI	PART
LIGHTING	91CELINECHN6	CELINE 6FT CHAIN 6FT CHAIN	T	PT-CELINE	PART
LIGHTING	91CELINECC	CELINE CANDLE SLEEVE CANDLE SLEEVE REPLACEMENT	A	PT-CELINE	PART
LIGHTING	91CELINECN	CELINE CHAND CANOPY CANOPY WITH HARDWARE	A	PT-CELINE	PART
LIGHTING	66636H0257CS	12 LIGHT CANDLE COVER S/12 1 SET PER BOX/ REPLACEMENT PTS	T	PT-CHAND	PART
LIGHTING	65636H0257C	SET OF 12 CANDLE COVERS 12 LT 1 SET OF 12 PER BOX	T	PT-CHAND	PART
LIGHTING	911595L546NT	CLARENCE BRZ FLOOR LAMP NUT BRASS NUT REPLACEMENT	A	PT-CLARENC	PART
LIGHTING	911595L546N	DO NOT USE	A	PT-CLARENC	
LIGHTING	91636H257CH6	12 LT SLVR 6 FT CHAIN 5 MM X 1.8 MT SILVER CLAY CHAI	A	PT-CLAUDET	PART
LIGHTING	91636H257CR	CLAUDET 12 LT CRYSTAL 38 MM DROP CRYSTAL	A	PT-CLAUDET	PART
LIGHTING	91636H257F	CLAUDET 12 LT FINIAL 30 MM GLASS FINIAL	A	PT-CLAUDET	PART
LIGHTING	91636H257CH	CLAUDET 12 LT RUST 12' CHAIN 5 MM X 3.7 MT RUST CHAIN	A	PT-CLAUDET	PART
LIGHTING	91636H257CN	CLAUDET 12 LT RUST CANOPY RUST FINISH CANOPY W/ HARDWARE	A	PT-CLAUDET	PART
LIGHTING	91636H121CH	CLAUDET 12 LT SLVR 12' CHAIN 5 MMX3.7 MT GREY SILV FINSH CH	A	PT-CLAUDET	PART
LIGHTING	91636H121CH6	CLAUDET 12 LT SLVR 6' CHAIN 5 MMX1.8 MT GREY SILV FINSH CH	A	PT-CLAUDET	PART
LIGHTING	91636H121CN	CLAUDET 12 LT SLVR CANOPY GREY SILV FNSH LG CNPY W/ HRDW	A	PT-CLAUDET	PART
LIGHTING	91636H121CR	CLAUDET 12 LT SLVR CRYSTAL 38 MM DROP CRYSTAL	A	PT-CLAUDET	PART
LIGHTING	91636H121F	CLAUDET 12 LT SLVR FINIAL 30 MM GLASS FINIAL	A	PT-CLAUDET	PART
LIGHTING	91636COL6B	COLLIER 4 MM 12 FT BRZ CHAIN 12 FT BRONZE CHAIN	A	PT-COLLIER	PART
LIGHTING	91636COL6W	COLLIER 4 MM 12 FT WHITE CHAIN 12 FT ASH WHITE CHAIN	A	PT-COLLIER	PART
LIGHTING	91636COL6B6	COLLIER 4 MM 6 FT BRZ CHAIN 6 FT BRONZE CHAIN	A	PT-COLLIER	PART
LIGHTING	91636COL6W6	COLLIER 4 MM 6 FT WHITE CHAIN 6 FT ASH WHITE CHAIN	A	PT-COLLIER	PART
LIGHTING	91636COL8B	COLLIER 5 MM 12 FT BRZ CHAIN 12 FT BRONZE CHAIN	A	PT-COLLIER	PART
LIGHTING	91636COL8W	COLLIER 5 MM 12 FT WHITE CHAIN 12 FT ASH WHITE CHAIN	A	PT-COLLIER	PART
LIGHTING	91636COL8B6	COLLIER 5 MM 6 FT BRZ CHAIN 6 FT BRONZE CHAIN	A	PT-COLLIER	PART
LIGHTING	91636COL8W6	COLLIER 5 MM 6 FT WHITE CHAIN 6 FT ASH WHITE CHAIN	A	PT-COLLIER	PART
LIGHTING	91636COL6TC	COLLIER 6 LIGHT TOP CRYSTAL 50 MM CRYSTAL SPHERE	A	PT-COLLIER	PART
LIGHTING	91636COL6CNB	COLLIER 6 LT BRONZE CANOPY CANOPY W/ HARDWARE	A	PT-COLLIER	PART
LIGHTING	91636COL6CNW	COLLIER 6 LT WHITE CANOPY CANOPY W/ HARDWARE	A	PT-COLLIER	PART
LIGHTING	91636COL8TC	COLLIER 8 LIGHT TOP CRYSTAL 60 MM CRYSTAL SPHERE	A	PT-COLLIER	PART
LIGHTING	91636COL8CNB	COLLIER 8 LT BRONZE CANOPY CANOPY W/ HARDWARE	A	PT-COLLIER	PART
LIGHTING	91636COL8CNW	COLLIER 8 LT WHITE CANOPY CANOPY W/ HARDWARE	A	PT-COLLIER	PART

Super Category	Product ID	Description	Stat	Collection	Route
LIGHTING	91636COLBC	COLLIER BOTTOM CRYSTAL 40 MM CRYSTAL SPHERE	A	PT-COLLIER	PART
LIGHTING	91636COLCST	COLLIER CRYSTAL STRAND 39" CRYSTAL STRAND	A	PT-COLLIER	PART
LIGHTING	91636COLFC	COLLIER FLOWER CRYSTAL 20 MM FLOWER CRYSTAL	A	PT-COLLIER	PART
LIGHTING	91636COLCRL	COLLIER LARGE CRYSTAL DROP 76 MM DROP CRYSTAL	A	PT-COLLIER	PART
LIGHTING	91636COL8CL	COLLIER LG CRYSTAL W/ OCT 63 MM DROP W/ OCTOGON	A	PT-COLLIER	PART
LIGHTING	91636COL6CM	COLLIER MD CRYSTAL W/ OCT 50 MM DROP W/ OCTOGON	A	PT-COLLIER	PART
LIGHTING	91636COL8CS	COLLIER SM CRYSTAL W/ OCT 38 MM DROP W/ OCTOGON	A	PT-COLLIER	PART
LIGHTING	91594L492F	COUNTESS TABLE LAMP FINIAL MATTE BLACK FINIAL	A	PT-COUNTES	PART
LIGHTING	91594L492H	COUNTESS TABLE LAMP HARP NICKEL HARP	A	PT-COUNTES	PART
LIGHTING	91594L492SH	COUNTESS TABLE LAMP SHADE BEIGE FAUX SILK SHADE	A	PT-COUNTES	
LIGHTING	91636H249CRS	SMALL CROWN CHAND SM CRYSTAL 38 MM CRYSTAL W/ OCTAGON	D	PT-CROWN	PART
LIGHTING	912036DNCH	DANDELION CHAND 12 FT CHAIN 12 FT NICKEL CHAIN	A	PT-DANDELI	PART
LIGHTING	912036DNCH6	DANDELION CHAND 6 FT CHAIN 6 FT NICKEL CHAIN	A	PT-DANDELI	PART
LIGHTING	912036DNCN	DANDELION CHAND CANOPY CANOPY W/ HARDWARE	A	PT-DANDELI	PART
LIGHTING	912036DNCR	DANDELION CHAND CRYSTAL BEADED FLOWER CLUSTER	A	PT-DANDELI	PART
LIGHTING	91594L404F	DUMONT FLOOR LAMP FINIAL ANTIQUE SILVER LEAF FINIAL	A	PT-DUMONT	PART
LIGHTING	91594L404H	DUMONT FLOOR LAMP HARP BRASS HARP	A	PT-DUMONT	PART
LIGHTING	91594L404SH	DUMONT FLOOR LAMP SHADE LINEN REPLACEMENT SHADE	D	PT-DUMONT	
LIGHTING	91594L487F	DUMONT TABLE LAMP FINIAL ANTIQUE SILVER LEAF FINIAL	A	PT-DUMONT	PART
LIGHTING	91594L487H	DUMONT TABLE LAMP HARP BRASS HARP	A	PT-DUMONT	PART
LIGHTING	91594L487SH	DUMONT TABLE LAMP SHADE LINEN REPLACEMENT SHADE	D	PT-DUMONT	
LIGHTING	91DYEREXRD12	DYER 12" EXTENSION ROD 12" ROD	T	PT-DYER	PART
LIGHTING	91DYEREXRD18	DYER 18" EXTENSION ROD 18" ROD	T	PT-DYER	PART
LIGHTING	91DYEREXRD6	DYER 6" EXTENSION ROD 6" ROD	T	PT-DYER	PART
LIGHTING	91DYERST	DYER BOTTOM SPIKE/ARM STEEL TUBE REPLACEMENT	A	PT-DYER	PART
LIGHTING	91954H104CH	ELIANA LANTERN 12 FT CHAIN 4.5MM 12FT ANTQE BRSS FNSH CHN	A	PT-ELIANA	PART
LIGHTING	91954H104CH6	ELIANA LANTERN 6 FT CHAIN 4.5MM 6 FT ANTQE BRSS FNSH CHN	A	PT-ELIANA	PART
LIGHTING	91954H104CN	ELIANA LANTERN CANOPY ANTIQUE BRASS CANOPY	A	PT-ELIANA	PART
LIGHTING	91954H104L	ELIANA LANTERN CHAIN LOOP ANTIQUE BRASS CHAIN LOOP	A	PT-ELIANA	PART
LIGHTING	91ERIKSONSHD	ERIKSON NICKEL-PLATED SHADE SHADE	T	PT-ERIKSON	
LIGHTING	91FARRAHFN	FARRAH CHANDELIER FINIAL BRASS FINIAL	A	PT-FARRAH	PART
LIGHTING	91FARCHPLE	FARRAH CHANDELIER POLES 1 EA. 6"/12"/18" (36" TTL)	A	PT-FARRAH	PART
LIGHTING	91FARTLSH	FARRAH TL FABRIC SHADE 8" X 4.5" X 4" TAPER SHADE	A	PT-FARRAH	PART

Super Category	Product ID	Description	Stat	Collection	Route
LIGHTING	91FAROWTBFIN	FARROW BRS TBL LAMP FINIAL BRASS FINIAL	T	PT-FARROW	PART
LIGHTING	91FAROWTBHRP	FARROW BRS TLE LAMP HARP BRASS HARP	T	PT-FARROW	PART
LIGHTING	917198H398CH	FERRIS CHANDELIER 12 FT CHAIN 12 FT HANGING CHAIN	A	PT-FERRIS	PART
LIGHTING	917198H398C6	FERRIS CHANDELIER 6 FT CHAIN 6 FT HANGING CHAIN	D	PT-FERRIS	PART
LIGHTING	917198H398SL	FERRIS CHANDELIER CANDLE COVER CANDLE SLEEVE	A	PT-FERRIS	PART
LIGHTING	917198H398CN	FERRIS CHANDELIER CANOPY BLACK IRON CANOPY	D	PT-FERRIS	PART
LIGHTING	917198H398R2	FERRIS RECT CHANDELIER 12" ROD 12" BLACK IRON HANGING ROD	D	PT-FERRIS	PART
LIGHTING	917198H398R8	FERRIS RECT CHANDELIER 18" ROD 18" BLACK IRON HANGING ROD	A	PT-FERRIS	PART
LIGHTING	91FERRISRCN	FERRIS ROUND CANOPY SET COMPLETE HARDWARE SET	T	PT-FERRIS	PART
LIGHTING	917198H398SP	FERRIS SPECIAL ORDER PART REPLACEMENT PART	T	PT-FERRIS	PART
LIGHTING	91594L489F	FIELDING CHARCOAL FLOOR FINIAL CHARCOAL GREY FINIAL	A	PT-FIELDIN	PART
LIGHTING	91594L489H	FIELDING CHARCOAL FLOOR HARP BRASS HARP	A	PT-FIELDIN	PART
LIGHTING	91594L493F	FIELDING CHARCOAL TABLE FINIAL CHARCOAL GREY FINIAL	D	PT-FIELDIN	PART
LIGHTING	91594L493H	FIELDING CHARCOAL TABLE HARP BRASS HARP	D	PT-FIELDIN	PART
LIGHTING	91594L493SH	FIELDING CHARCOAL TABLE SHADE LINEN SHADE	D	PT-FIELDIN	
LIGHTING	91594L384F	FIELDING FLOOR LAMP FINIAL ANTIQUED FINIAL	A	PT-FIELDIN	PART
LIGHTING	91594L384H	FIELDING FLOOR LAMP HARP BRASS HARP	A	PT-FIELDIN	PART
LIGHTING	91594L384SH	FIELDING FLOOR LAMP SHADE LINEN & WHITE SHADE	A	PT-FIELDIN	
LIGHTING	91594L491H	FIELDING RUST FLOOR LMP HARP BRASS HARP	A	PT-FIELDIN	PART
LIGHTING	91594L355F	FIELDING TABLE LAMP FINIAL ANTIQUED FINIAL	A	PT-FIELDIN	PART
LIGHTING	91594L355H	FIELDING TABLE LAMP HARP BRASS HARP	A	PT-FIELDIN	PART
LIGHTING	91594L355SH	FIELDING TABLE LAMP SHADE LINEN & WHITE SHADE	A	PT-FIELDIN	
LIGHTING	913507L062F	FLORA FLOOR LAMP FINIAL ANTIQUE BRASS FINIAL	A	PT-FLORA	PART
LIGHTING	913507L062H	FLORA FLOOR LAMP HARP ANTIQUE BRASS HARP	A	PT-FLORA	PART
LIGHTING	913507L063F	FLORA TABLE LAMP FINIAL ANTIQUE BRASS FINIAL	A	PT-FLORA	PART
LIGHTING	913507L063H	FLORA TABLE LAMP HARP ANTIQUE BRASS HARP	A	PT-FLORA	PART
LIGHTING	91636H151CH	FOTINI CHAND 12 FT CHAIN 3 MM X 3.7 MT SILV CLAY CHAIN	A	PT-FOTINI	PART
LIGHTING	91636H151CH6	FOTINI CHAND 6 FT CHAIN 3 MM X 1.8 MT SILVER CLY CHAIN	A	PT-FOTINI	PART
LIGHTING	91636H151CN	FOTINI CHAND CANOPY SILVER CLAY CANOPY W/ HARDWARE	A	PT-FOTINI	PART
LIGHTING	91636H151CRC	FOTINI CHAND CRYSTAL STRAND STRAND OF 10 CRYSTALS W/ GOLD	A	PT-FOTINI	PART
LIGHTING	91636H151CRL	FOTINI CHAND LG CRYSTAL 50 MM CRYSTAL W/ GOLD WIRE	A	PT-FOTINI	PART
LIGHTING	91636H151CRS	FOTINI CHAND SM CRYSTAL 38 MM CRYSTAL W/ GOLD WIRE	A	PT-FOTINI	PART
LIGHTING	91636H343CH	FOTINI LG 12 FT CHAIN 4 MM X 3.7 MT SILVER CLY CHAIN	A	PT-FOTINI	PART

Super Category	Product ID	Description	Stat	Collection	Route
LIGHTING	91636H343CH6	FOTINI LG 6 FT CHAIN 4 MM X 1.8 MT SILVER CLY CHAIN	A	PT-FOTINI	PART
LIGHTING	91636H343CN	FOTINI LG CHAND CANOPY SILVER CLAY CANOPY W/ HARDWARE	A	PT-FOTINI	PART
LIGHTING	91636H343CR	FOTINI LG CHAND CRYSTAL 50 MM CRYSTAL W/ SILVER WIRE	A	PT-FOTINI	PART
LIGHTING	91636H343CRC	FOTINI LG CHAND CRYSTAL STRAND STRAND OF 17 CRYSTAS W/ SILVER	A	PT-FOTINI	PART
LIGHTING	91636H303CR	FOTINI SCONCE CRYSTAL 38 MM CRYSTAL W/ GOLD WIRE	A	PT-FOTINI	PART
LIGHTING	91636H303CRC	FOTINI SCONCE CRYSTAL STRAND STRAND OF 10 CRYSTALS W/ GOLD	A	PT-FOTINI	PART
LIGHTING	912036H63CH	GARNET BRASS 12 FT CHAIN 12 FT BRASS CHAIN	A	PT-GARNET	PART
LIGHTING	912036H63CH6	GARNET BRASS 6 FT CHAIN 6 FT BRASS CHAIN	A	PT-GARNET	PART
LIGHTING	912036H63CC	GARNET BRASS CANDLE COVER ANTIQUE BRASS CANDLE COVER	A	PT-GARNET	PART
LIGHTING	912036H63CN	GARNET BRASS CANOPY BRASS CANOPY W/ HARDWARE	A	PT-GARNET	PART
LIGHTING	912036H62CNR	GARNET BRASS RECT CANOPY BRASS RECT CANOPY W/ HARDWARE	A	PT-GARNET	PART
LIGHTING	912036H11CH	GARNET BRONZE 12 FT CHAIN 12 FT BRONZE CHAIN	A	PT-GARNET	PART
LIGHTING	912036H11CH6	GARNET BRONZE 6 FT CHAIN 6 FT BRONZE CHAIN	A	PT-GARNET	PART
LIGHTING	912036H041CC	GARNET BRONZE CANDLE COVER ANTIQUE BRONZE CANDLE COVER	A	PT-GARNET	PART
LIGHTING	912036H113CN	GARNET BRONZE CANOPY BRONZE CANOPY W/ HARDWARE	A	PT-GARNET	PART
LIGHTING	912036H114CN	GARNET BRONZE RECT CANOPY BRONZE RECT CANOPY W/ HARDWARE	A	PT-GARNET	PART
LIGHTING	912036H85CH	GARNET SILVER 12 FT CHAIN 12 FT SILVER CHAIN	A	PT-GARNET	PART
LIGHTING	912036H85CH6	GARNET SILVER 6 FT CHAIN 6 FT SILVER CHAIN	A	PT-GARNET	PART
LIGHTING	912036H85CC	GARNET SILVER CANDLE COVER ANTIQUE SILVER CANDLE COVER	A	PT-GARNET	PART
LIGHTING	912036H85CN	GARNET SILVER CANOPY SILVER CANOPY W/ HARDWARE	A	PT-GARNET	PART
LIGHTING	912036H86CNR	GARNET SILVER RECT CANOPY SILVER RECT CANOPY W/ HARDWARE	A	PT-GARNET	PART
LIGHTING	91GEO48BRCH	GEODE 48" BRASS 12 FT CHAIN 0.20" X 12 FT. BRASS CHAIN	A	PT-GEODE	PART
LIGHTING	91GEO48BRCH6	GEODE 48" BRASS 6 FT CHAIN 0.20" X 6 FT. BRASS CHAIN	A	PT-GEODE	PART
LIGHTING	91GEO48BZCH	GEODE 48" BRONZE 12 FT CHAIN 0.20" X 12 FT. BRONZE CHAIN	A	PT-GEODE	PART
LIGHTING	91GEO48BZCH6	GEODE 48" BRONZE 6 FT CHAIN 0.20" X 6 FT. BRONZE CHAIN	A	PT-GEODE	PART
LIGHTING	91GEO48SVCH	GEODE 48" SILVER 12 FT CHAIN 0.20" X 12 FT. SILVER CHAIN	A	PT-GEODE	PART
LIGHTING	91GEO48SVCH6	GEODE 48" SILVER 6 FT CHAIN 0.20" X 6 FT. SILVER CHAIN	A	PT-GEODE	PART
LIGHTING	912036BRCC	GEODE BRASS CANDLE COVER BRASS CANDLE COVER	A	PT-GEODE	PART
LIGHTING	912036BZCC	GEODE BRONZE CANDLE COVER BRONZE CANDLE COVER	A	PT-GEODE	PART
LIGHTING	912036SVCC	GEODE SILVER CANDLE COVER SILVER CANDLE COVER	A	PT-GEODE	PART
LIGHTING	91594GHETLF	GHENT TABLE LAMP FINIAL RUSTIC BLACK FINIAL	A	PT-GHENT	PART
LIGHTING	91594GHETLH	GHENT TABLE LAMP HARP 10.5" BRASS HARP	A	PT-GHENT	PART
LIGHTING	91594GHETLSH	GHENT TABLE LAMP SHADE LINEN SHADE REPLACEMENT	A	PT-GHENT	

Super Category	Product ID	Description	Stat	Collection	Route
LIGHTING	91954H132CH	GLOBE PENDANT 12 FT CHAIN VINTAGE BRASS 12 FT CH	A	PT-GLOBE	PART
LIGHTING	91954H132C6	GLOBE PENDANT 6 FT CHAIN VINTAGE BRASS 6 FT CH	A	PT-GLOBE	PART
LIGHTING	91954H132CN	GLOBE PENDANT CANOPY VINTAGE BRASS CANOPY	A	PT-GLOBE	PART
LIGHTING	91954H132GLL	GLOBE PENDANT LARGE GLASS BALL 12" DIA. GLASS BALL W/WAX RING	A	PT-GLOBE	
LIGHTING	91954H132GLS	GLOBE PENDANT SMALL GLASS BALL 8" DIA. GLASS BALL W/WAX RING	A	PT-GLOBE	
LIGHTING	91GLOBESMSRW	GLOBE SM PENDANT CAP SCREW NICKEL CAP SCREW	A	PT-GLOBE	PART
LIGHTING	91GLOBESMWR	GLOBE SMALL WAX RING WAX RING REPLACEMENT	A	PT-GLOBE	PART
LIGHTING	91594L102F	GLASS CLMN BRZ FLR LAMP FINIAL 1" BRONZE FINIAL	A	PT-GLSCLMN	PART
LIGHTING	91594L102H	GLASS CLMN BRZ FLR LAMP HARP 9.5" PLATED BRASS HARP	A	PT-GLSCLMN	PART
LIGHTING	91636H210CH	GRAND 28 LT CHAND 12 FT CHAIN 6 MM X 3.7 MT DK SILVER CLY CH	A	PT-GRAND	PART
LIGHTING	91636H210CH6	GRAND 28 LT CHAND 6 FT CHAIN 6 MM X 1.8 MT DK SILVER CLY CH	A	PT-GRAND	PART
LIGHTING	91636H210PLT	GRAND 28 LT CHAND MOUNTING PLT MOUNTING PLATE	A	PT-GRAND	PART
LIGHTING	91636H210CN	GRAND 28 LT CHAND SP CANOPY DARK SILVER CLAY CANOPY	A	PT-GRAND	PART
LIGHTING	91636H364CH	GRAND CHAND 12 FT CHAIN 5 MM X 3.7 MT DK SILVER CLY CH	A	PT-GRAND	PART
LIGHTING	91636H364CH6	GRAND CHANDELIER 6 FT CHAIN 5 MM X 1.8 MT DK SILVER CLY CH	A	PT-GRAND	PART
LIGHTING	91636H364CN	GRAND CHANDELIER CANOPY DK SILVER CLAY CANOPY W/ HDWR	A	PT-GRAND	PART
LIGHTING	91636H364SL	ITALIAN WHITE CANDLE SLEEVE CANDLE SLEEVE	A	PT-GRAND	PART
LIGHTING	69594L0260SH	GRANT CHANDELIER SHADE REPLACEMENT GLASS GLOBE	D	PT-GRANT	PART
LIGHTING	912036HBRCH	HEMISPHERE BRASS 12 FT CHAIN .16" X 12 FT ANTQ GOLD CHAIN	A	PT-HEMISPH	PART
LIGHTING	912036HBRCH6	HEMISPHERE BRASS 6 FT CHAIN .16" X 6 FT ANTIQUE GOLD CHAIN	A	PT-HEMISPH	PART
LIGHTING	912036HBRCN	HEMISPHERE BRASS CANOPY CANOPY WITH HARDWARE	A	PT-HEMISPH	PART
LIGHTING	912036HBZCH	HEMISPHERE BRONZE 12 FT CHAIN .16" X 12 FT BRONZE CHAIN	A	PT-HEMISPH	PART
LIGHTING	912036HBZCH6	HEMISPHERE BRONZE 6 FT CHAIN .16" X 6 FT BRONZE CHAIN	A	PT-HEMISPH	PART
LIGHTING	912036HBZCC	HEMISPHERE BRONZE CANDLE COVER ANTIQU BRONZE CANDLE COVER	A	PT-HEMISPH	PART
LIGHTING	912036HBZCN	HEMISPHERE BRONZE CANOPY CANOPY WITH HARDWARE	A	PT-HEMISPH	PART
LIGHTING	91HEMISUHOOK	HEMISPHERE BRONZE U HOOK UNIV. BRONZE U HOOK FOR CANOPY	A	PT-HEMISPH	PART
LIGHTING	912036HSVCH	HEMISPHERE SILVER 12 FT CHAIN .16" X 12 FT SILVER CHAIN	A	PT-HEMISPH	PART
LIGHTING	912036HSVCH6	HEMISPHERE SILVER 6 FT CHAIN .16" X 6 FT SILVER CHAIN	A	PT-HEMISPH	PART
LIGHTING	912036HSVCN	HEMISPHERE SILVER CANOPY CANOPY WITH HARDWARE	A	PT-HEMISPH	PART
LIGHTING	91230L359F	ISABELLA TABLE LAMP FINIAL BRASS BALL FINIAL	A	PT-ISABELA	PART
LIGHTING	91230L359H	ISABELLA TABLE LAMP HARP 11" BRASS HARP	A	PT-ISABELA	PART
LIGHTING	91230L359SH	ISABELLA TABLE LAMP SHADE BLACK REPLACEMENT SHADE	A	PT-ISABELA	
LIGHTING	91636H111CH	IVY CHANDELIER 12 FT CHAIN 5 MMX3.7 MT GREY SILV FINSH CH	A	PT-IVY	PART

Super Category	Product ID	Description	Stat	Collection	Route
LIGHTING	91636H111CH6	IVY CHANDELIER 6 FT CHAIN 5 MMX1.8 MT GREY SILV FINSH CH	A	PT-IVY	PART
LIGHTING	91636H111CN	IVY CHANDELIER CANOPY GREY SILV FINSH CANOPY W/ HRDW	A	PT-IVY	PART
LIGHTING	91JADAHOK	JADA CHANDELIER CONNECTOR HOOK HOOK	T	PT-JADA	PART
LIGHTING	91JADACR	JADA CHANDELIER CRYSTAL CRYSTAL W/ HOOK	A	PT-JADA	PART
LIGHTING	91594L496SH	JAMES FLOOR LAMP SHADE IRON SHADE	D	PT-JAMES	
LIGHTING	91594L496R	JAMES FLOOR LAMP SOCKET RING WHITE SOCKET RING	D	PT-JAMES	PART
LIGHTING	91594L490SH	JAMES TABLE LAMP SHADE IRON SHADE	D	PT-JAMES	
LIGHTING	91594L490R	JAMES TABLE LAMP SOCKET RING WHITE SOCKET RING	A	PT-JAMES	PART
LIGHTING	912036HKCH	KATHERINE 12 FT CHAIN .16" X 12 FT HANGING CHAIN	A	PT-KATHERI	PART
LIGHTING	912036HKCR1	KATHERINE CRYSTAL PENDANT 1 CRYSTAL BEAD	A	PT-KATHERI	PART
LIGHTING	912036HKCR6	KATHERINE CRYSTAL PENDANT 6 CRYSTAL WITH 1 BEAD	A	PT-KATHERI	PART
LIGHTING	91KEAGAN8HRP	KEAGAN TBL LAMP HARP FINIAL INCLUDED	A	PT-KEAGAN	PART
LIGHTING	91594L67SH	KELLEN BRONZE FLR LAMP SHD LINEN REPLACEMENT SHADE	A	PT-KELLEN	
LIGHTING	91594L549R	KELLEN FLOOR LAMP RING SILVER LOCK RING	A	PT-KELLEN	PART
LIGHTING	91594L549SH	KELLEN FLOOR LAMP SHADE BLK LINEN SHADE REPLACEMENT	A	PT-KELLEN	
LIGHTING	91636H248CN	LA CAGE 12.5 CM CANOPY SILVER CLAY CANOPY W/ HARDWARE	A	PT-LACAGE	PART
LIGHTING	91636H141CN	LA CAGE 12.5 CM CANOPY - BRNZ BRONZE SM CANOPY W/ HARDWARE	A	PT-LACAGE	PART
LIGHTING	91636H102CN	LA CAGE 12.5 CM CANOPY - GOLD GOLD CLAY CANOPY W/ HARDWARE	A	PT-LACAGE	PART
LIGHTING	91636H365CN	LA CAGE 14.5 CM CANOPY SILVER CLAY CANOPY W/ HARDWARE	A	PT-LACAGE	PART
LIGHTING	91636H103CN	LA CAGE 14.5 CM CANOPY - GOLD GOLD CLAY CANOPY W/ HARDWARE	A	PT-LACAGE	PART
LIGHTING	91636H139CN	LA CAGE 14.5 CM CANOPY- BRNZ BRONZE LG CANOPY W/ HARDWARE	A	PT-LACAGE	PART
LIGHTING	91636H140CN	LA CAGE 16.5 CM CANOPY- BRNZ BRONZE OVAL CANOPY W/ HDWR	A	PT-LACAGE	PART
LIGHTING	91636H248CH	LA CAGE 4 MM 12 FT CHAIN 4 MM X 3.7 MT SILVER CLY CHAIN	A	PT-LACAGE	PART
LIGHTING	91636H102CH	LA CAGE 4 MM 12 FT CHAIN -GOLD 4 MM X 3.7 MT GOLD CLAY CHAIN	A	PT-LACAGE	PART
LIGHTING	91636H141CH	LA CAGE 4 MM 12 FT CHAIN- BRNZ 4 MM X 3.7 MT OIL RUB BRNZ CH	A	PT-LACAGE	PART
LIGHTING	91636H248CH6	LA CAGE 4 MM 6 FT CHAIN 4 MM X 1.8 MT SILVER CLY CHAIN	A	PT-LACAGE	PART
LIGHTING	91636H102CH6	LA CAGE 4 MM 6 FT CHAIN - GOLD 4 MM X 1.8 MT GOLD CLAY CHAIN	A	PT-LACAGE	PART
LIGHTING	91636H141CH6	LA CAGE 4 MM 6 FT CHAIN-BRONZE 4 MM X1.8 MT OIL RUB BRNZ CH	A	PT-LACAGE	PART
LIGHTING	91636H365CH	LA CAGE 5 MM 12 FT CHAIN 5 MM X 3.7 MT SILVER CLY CHAIN	A	PT-LACAGE	PART
LIGHTING	91636H103CH	LA CAGE 5 MM 12 FT CHAIN -GOLD 5 MM X 3.7 MT GOLD CLAY CHAIN	A	PT-LACAGE	PART
LIGHTING	91636H139CH	LA CAGE 5 MM 12 FT CHAIN- BRNZ 5 MM X 3.7 MT OIL RUB BRNZ CH	A	PT-LACAGE	PART
LIGHTING	91636H365CH6	LA CAGE 5 MM 6 FT CHAIN 5 MM X 1.8 MT SILVER CLY CHAIN	A	PT-LACAGE	PART
LIGHTING	91636H103CH6	LA CAGE 5 MM 6 FT CHAIN - GOLD 5 MM X 1.8 MT GOLD CLAY CHAIN	A	PT-LACAGE	PART

Super Category	Product ID	Description	Stat	Collection	Route
LIGHTING	91636H139CH6	LA CAGE 5 MM 6 FT CHAIN-BRONZE 5 MM X 1.8 MT OIL RUB BRNZ CH	A	PT-LACAGE	PART
LIGHTING	91636H248CR	LA CAGE CRYSTAL -SILVER/BRONZE 30 MM CRYSTAL W/ NICKEL WIRE	A	PT-LACAGE	PART
LIGHTING	91LCFLUSHBC	LA CAGE FLUSHMT BOTTOM CRYSTAL LA CAGE CRYSTAL W/ WIRE	A	PT-LACAGE	PART
LIGHTING	91636H367CN	LA CAGE RECT CHAND CANOPY SILVER CLAY OVAL CANOPY W HDWR	A	PT-LACAGE	PART
LIGHTING	91LACAGESVBP	LA CAGE SVR SCONCE BACK PLATE BACK PLATE	A	PT-LACAGE	PART
LIGHTING	91LAILACAN	LAILA 24" CHANDELIER CANOPY 5"X10" CANOPY	A	PT-LAILA	PART
LIGHTING	91LAILA37CN	LAILA 37" CHAND RECT CANOPY 28X5X1 RECT CANOPY	A	PT-LAILA	PART
LIGHTING	91LAILA49CN	LAILA 49" CHAND RECT CANOPY 36X5X1 RECT CANOPY	A	PT-LAILA	PART
LIGHTING	912082H0322CH	LAILA CHAND 6 FT CHAIN 2 METERS PER BOX/ CSV PARTS	A	PT-LAILA	PART
LIGHTING	912082H0322CN	LAILA CHAND CANOPY CANOPY W/ HARDWARE	T	PT-LAILA	PART
LIGHTING	912082H0355H	LAILA CHAND CHAIN HOOK CHAIN HOOK	T	PT-LAILA	PART
LIGHTING	912082H134CH	LAILA PENDANT 12 FT CHAIN ANTIQUE COPPER HANGING CHAIN	A	PT-LAILA	PART
LIGHTING	912082H134C6	LAILA PENDANT 6 FT CHAIN ANTIQUE COPPER HANGING CHAIN	A	PT-LAILA	PART
LIGHTING	912082H134CN	LAILA PENDANT CANOPY ANTIQUE COPPER CANOPY	A	PT-LAILA	PART
LIGHTING	912082H326H	LAILA SCONCE HARDWARE MOUNTING HARDWARE	A	PT-LAILA	PART
LIGHTING	91LANCBRFIN	LANCIA BRASS FLR LAMP FINIAL 4 IN BRASS FINIAL	A	PT-LANCIA	PART
LIGHTING	91230LANF	LANCIA BRONZE FLR LAMP FINIAL 4 INCH BRONZE FINIAL	A	PT-LANCIA	PART
LIGHTING	91230LANS	LANCIA FLOOR LAMP SHADE GREY LINEN COTTON SHADE	A	PT-LANCIA	
LIGHTING	912036H142SK	LARKYN CHAND GLASS STICK K 7" GLASS STICK NO. K	A	PT-LARKYN	PART
LIGHTING	912036H142SL	LARKYN CHAND GLASS STICK L 9" GLASS STICK NO. L	A	PT-LARKYN	PART
LIGHTING	912036H142SM	LARKYN CHAND GLASS STICK M 8.25" GLASS STICK NO. M	A	PT-LARKYN	PART
LIGHTING	912036H142CH	LARKYN CHANDELIER 12 FT CH .16" X 12 FT BRONZE HANGING CH	A	PT-LARKYN	PART
LIGHTING	912036H142C6	LARKYN CHANDELIER 6 FT CH .16" X 6 FT BRONZE HANGING CH	A	PT-LARKYN	PART
LIGHTING	912036H142C	LARKYN CHANDELIER CANOPY ANTIQUE BRONZE CANOPY	A	PT-LARKYN	PART
LIGHTING	91594L043F	LAUREL TABLE LAMP FINIAL BRUSHED BLACK NICKEL FINIAL	A	PT-LAUREL	PART
LIGHTING	91594L043H	LAUREL TABLE LAMP HARP NICKEL HARP	A	PT-LAUREL	PART
LIGHTING	91594L043SH	LAUREL TABLE LAMP SHADE LINEN REPLACEMENT SHADE	A	PT-LAUREL	
LIGHTING	91LEAFGDCN12	LEAF GOLD 12FT CHAIN 12 FT GOLD CHAIN	T	PT-LEAF	PART
LIGHTING	91LEAFGDCN6	LEAF GOLD 6FT CHAIN 6 FT GOLD CHAIN	T	PT-LEAF	PART
LIGHTING	91954L107F	LEILANI TABLE LAMP FINIAL BRASS PINEAPPLE FINIAL	A	PT-LEILANI	PART
LIGHTING	91594L481F	LEWIS TABLE LAMP FINIAL AGED BRASS FINIAL	A	PT-LEWIS	PART
LIGHTING	912036BR4CH	LEYLAND 4MM BRS 12 FT CHAIN .16" X 12 FT BRASS CHAIN	A	PT-LEYLAND	PART
LIGHTING	912036BR4CH6	LEYLAND 4MM BRS 6 FT CHAIN .16" X 6 FT BRASS CHAIN	A	PT-LEYLAND	PART

Super Category	Product ID	Description	Stat	Collection	Route
LIGHTING	912036BZ4CH	LEYLAND 4MM BRZ 12 FT CHAIN .16" X 12 FT BRONZE CHAIN	A	PT-LEYLAND	PART
LIGHTING	912036BZ4CH6	LEYLAND 4MM BRZ 6 FT CHAIN .16" X 6 FT BRONZE CHAIN	A	PT-LEYLAND	PART
LIGHTING	912036NK4CH	LEYLAND 4MM NIK 12 FT CHAIN .16" X 12 FT NICKEL CHAIN	A	PT-LEYLAND	PART
LIGHTING	912036NK4CH6	LEYLAND 4MM NIK 6 FT CHAIN .16" X 6 FT NICKEL CHAIN	A	PT-LEYLAND	PART
LIGHTING	912036BR6CH	LEYLAND 6MM BRS 12 FT CHAIN .24" X 12 FT BRASS CHAIN	A	PT-LEYLAND	PART
LIGHTING	912036BR6CH6	LEYLAND 6MM BRS 6 FT CHAIN .24" X 6 FT BRASS CHAIN	A	PT-LEYLAND	PART
LIGHTING	912036BZ6CH	LEYLAND 6MM BRZ 12 FT CHAIN .24" X 12 FT BRONZE CHAIN	A	PT-LEYLAND	PART
LIGHTING	912036BZ6CH6	LEYLAND 6MM BRZ 6 FT CHAIN .24" X 6 FT BRONZE CHAIN	A	PT-LEYLAND	PART
LIGHTING	912036NK6CH	LEYLAND 6MM NIK 12 FT CHAIN .24" X 12 FT NICKEL CHAIN	A	PT-LEYLAND	PART
LIGHTING	912036NK6CH6	LEYLAND 6MM NIK 6 FT CHAIN .24" X 6 FT NICKEL CHAIN	A	PT-LEYLAND	PART
LIGHTING	91LEYRCTCSBR	LEYLAND BRASS RECT S/4 SCREWS SET OF 4 BRASS CANOPY SCREWS	T	PT-LEYLAND	PART
LIGHTING	912036BRCN	LEYLAND BRASS ROUND CANOPY 4.75" DIAM CANOPY W/ HRDWR	A	PT-LEYLAND	PART
LIGHTING	912036L482F	LEYLAND BRONZE LAMP FINIAL BRONZE LAMP FINIAL-TBL OR FLR	A	PT-LEYLAND	PART
LIGHTING	912036BZCN	LEYLAND BRONZE ROUND CANOPY 4.75" DIAM CANOPY W/ HRDWR	A	PT-LEYLAND	PART
LIGHTING	91LYLNDFINBR	LEYLAND BRS FLOOR LAMP FINIAL BRASS FINIAL	T	PT-LEYLAND	PART
LIGHTING	65LEYFLRBASE	LEYLAND FLOOR LAMP - BASE ONLY REPLACEMENT BASE	D	PT-LEYLAND	PART
LIGHTING	91LEYBRSHDW	LEYLAND FLUSHMT BRS BRCKT/HDWR BRASS BRACKET & HARDWARE	A	PT-LEYLAND	PART
LIGHTING	91LEYBRZHDW	LEYLAND FLUSHMT BRZ BRCKT/HDWR BRONZE BRACKET & HARDWARE	A	PT-LEYLAND	PART
LIGHTING	91LEYNKLHDW	LEYLAND FLUSHMT NKL BRCKT/HDWR NICKEL BRACKET & HARDWARE	A	PT-LEYLAND	PART
LIGHTING	912036LEYCRL	LEYLAND LARGE CRYSTAL 8" CRYSTAL	A	PT-LEYLAND	PART
LIGHTING	912036NKCN	LEYLAND NICKEL ROUND CANOPY 4.75" DIAM CANOPY W/ HRDWR	A	PT-LEYLAND	PART
LIGHTING	912036BRCNR	LEYLAND RECT BRASS CANOPY 32" X 4.75" RECT CANOPY	A	PT-LEYLAND	PART
LIGHTING	912036BZCNR	LEYLAND RECT BRONZE CANOPY 32" X 4.75" RECT CANOPY	A	PT-LEYLAND	PART
LIGHTING	912036NKCNR	LEYLAND RECT NICKEL CANOPY 32" X 4.75" RECT CANOPY	A	PT-LEYLAND	PART
LIGHTING	912036LEYCL	LEYLAND S/10 BRONZE CLIPS SET OF 10 BRONZE CLIPS	A	PT-LEYLAND	PART
LIGHTING	912036LEYCRS	LEYLAND SMALL CRYSTAL 5" CRYSTAL	A	PT-LEYLAND	PART
LIGHTING	91LILYBRROD7	LILY 7" BRASS FLUSHMOUNT STICK 7" BRASS STICK/ FLUSHMOUNT	A	PT-LILY	PART
LIGHTING	912036H108CH	LILY CHAND 12 FT CHAIN 12 FT CHAIN	A	PT-LILY	PART
LIGHTING	912036H108SS	LILY CHAND 12.25" BRASS STICK 12.25" BRASS STICK/ 32" CHAND	A	PT-LILY	PART
LIGHTING	912036H108SL	LILY CHAND 13.38" BRASS STICK 13.38" BRASS STICK/ 32" CHAND	A	PT-LILY	PART
LIGHTING	912036H108B	LILY CHAND 3/8" SCREW BALL BRASS SCREW BALL	A	PT-LILY	PART
LIGHTING	912036H109FS	LILY CHAND 4.38" GLASS FLOWER 4.38" LILY PAD (SM/SM)	A	PT-LILY	PART
LIGHTING	912036H108FM	LILY CHAND 5.13" GLASS FLOWER 5.13" LILY PAD (SM/LG) (LG/SM)	D	PT-LILY	PART

Super Category	Product ID	Description	Stat	Collection	Route
LIGHTING	912036H108FL	LILY CHAND 5.88" GLASS FLOWER 5.88" LILY PAD (LG/LG)	A	PT-LILY	PART
LIGHTING	912036H108CH6	LILY CHAND 6 FT CHAIN 6 FT CHAIN	A	PT-LILY	PART
LIGHTING	912036H109SS	LILY CHAND 8.5" BRASS STICK 8.5" BRASS STICK/ 24" CHAND	A	PT-LILY	PART
LIGHTING	912036H109SL	LILY CHAND 9.5" BRASS STICK 9.5" BRASS STICK/ 24" CHAND	A	PT-LILY	PART
LIGHTING	91LILYCHROD	LILY CHAND CENTER ROD CENTRE PART K	T	PT-LILY	PART
LIGHTING	912036H108CN	LILY CHAND ROUND CANOPY CANOPY W/ HARDWARE	A	PT-LILY	PART
LIGHTING	912036H108W	LILY CHAND SILICON WASHER SILICON WASHER REPLACEMENT	A	PT-LILY	PART
LIGHTING	912036H108F	LILY CHANDELIER 7/10" FINIAL 0.7" BRASS PLATED FINIAL	A	PT-LILY	PART
LIGHTING	91LOLATBFIN	LOLA TABLE LAMP FINIAL FINIAL	T	PT-LOLA	PART
LIGHTING	91LOLATBHRP	LOLA TABLE LAMP HARP HARP	T	PT-LOLA	PART
LIGHTING	91LOUISECND	LOUISE CANDLE SLEEVE CANDLE SLEEVE	T	PT-LOUISE	PART
LIGHTING	912036H274CH	LOUISE CHAND 12 FT CHAIN .16" X 12 FT CHAIN	A	PT-LOUISE	PART
LIGHTING	912036H274CH6	LOUISE CHAND 6 FT CHAIN .16" X 6 FT CHAIN	A	PT-LOUISE	PART
LIGHTING	912036H274CN	LOUISE CHAND CANOPY CANOPY W/ HARDWARE	A	PT-LOUISE	PART
LIGHTING	912036H274CRC	LOUISE CHAND CRYSTAL STRAND WOODEN BEAD STRAND	A	PT-LOUISE	PART
LIGHTING	912036H274CRL	LOUISE CHAND LG CRYSTAL WOOD DROP W/ STRAND	A	PT-LOUISE	PART
LIGHTING	912036H274CL	LOUISE CHAND S/10 CLIPS SET OF 10 CLIPS	A	PT-LOUISE	PART
LIGHTING	912036H274CRS	LOUISE CHAND SM CRYSTAL WOOD DROP BEAD	A	PT-LOUISE	PART
LIGHTING	916587L947F	LOVELL TABLE LAMP FINIAL SILVER FINIAL	A	PT-LOVELL	PART
LIGHTING	916587L347SH	LOVELL TABLE LAMP SHADE LINEN REPLACEMENT SHADE	A	PT-LOVELL	
LIGHTING	91LUCLCH	LUCILLE CHAND 12 FT CHAIN 12 FT BRONZE CHAIN	A	PT-LUCILLE	PART
LIGHTING	91LUCLCH6	LUCILLE CHAND 6 FT CHAIN 6 FT BRONZE CHAIN	A	PT-LUCILLE	PART
LIGHTING	91LUCLCN	LUCILLE CHAND CANOPY 5.88" DIA. BRONZE CANOPY	A	PT-LUCILLE	PART
LIGHTING	91636LSACH	LUISA HRT CHAND 12 FT CHAIN GREY/ SILVER CHAIN	A	PT-LUISA	PART
LIGHTING	91636LSACH6	LUISA HRT CHAND 6 FT CHAIN GREY/ SILVER CHAIN	A	PT-LUISA	PART
LIGHTING	91636LSACN	LUISA HRT CHAND CANOPY CANOPY W/ HARDWARE	A	PT-LUISA	PART
LIGHTING	91636LSAFS	LUISA HRT CHAND FINAL SPHERE 30 MM GLASS SPHERE	A	PT-LUISA	PART
LIGHTING	91636LSAGD	LUISA HRT CHAND GLASS DROP 38 MM GLASS DROP	A	PT-LUISA	PART
LIGHTING	91594L70CH	MARGOLIS PENDANT 12 FT CHAIN PAINTED GLD 12 FT HANGING CHN	A	PT-MARGOLI	PART
LIGHTING	91594L70CH6	MARGOLIS PENDANT 6 FT CHAIN PAINTED GLD 6 FT HANGING CHN	A	PT-MARGOLI	PART
LIGHTING	91594L70CN	MARGOLIS PENDANT CANOPY ASSEMBLY PARTS FOR CANOPY	A	PT-MARGOLI	PART
LIGHTING	91636H101CN	MARIELLA 14.5 CM CANOPY GOLD CANOPY W/ HARDWARE	D	PT-MARIELL	PART
LIGHTING	91636H101CH	MARIELLA 4 MM 12 FT CHAIN 4 MM X 3.7 MT GOLD CHAIN	D	PT-MARIELL	PART

Super Category	Product ID	Description	Stat	Collection	Route
LIGHTING	91636H101CH6	MARIELLA 4 MM 6 FT CHAIN 4 MM X 1.8 MT GOLD CHAIN	D	PT-MARIELL	PART
LIGHTING	912036H554CH	MARLOW RUST CHAND 12 FT CHAIN 12 FT HANGING CHAIN	A	PT-MARLOW	PART
LIGHTING	912036H554C6	MARLOW RUST CHAND 6 FT CHAIN 6 FT HANGING CHAIN	D	PT-MARLOW	PART
LIGHTING	912036H554CN	MARLOW RUST CHAND CANOPY ANTIQUE RUST CANOPY	D	PT-MARLOW	PART
LIGHTING	918947L138SH	MERCURY RISING DESK LAMP SHADE GLASS SHADE FOR DESK LAMP	A	PT-MERCURY	PART
LIGHTING	91MERCFLSR	MERCURY RISING FL SOCKET RING SOCKET RING FOR MERCURY FL	T	PT-MERCURY	PART
LIGHTING	918947L0390SH	MERCURY RISING FLOOR LAMPSHADE REPLACEMENT SHADE	A	PT-MERCURY	
LIGHTING	91MICHATLFIN	MICHA TABLE LAMP FINIAL TALL TABLE LAMP FINIAL	A	PT-MICHA	PART
LIGHTING	91MICHATLHRP	MICHA TALL TABLE LAMP HARP MICHA TBL LAMP 8.5" HARP	A	PT-MICHA	PART
LIGHTING	913507L170F	MYLES FLOOR LAMP FINIAL BRASS FINIAL REPLACEMENT	A	PT-MYLES	PART
LIGHTING	913507L170H	MYLES FLOOR LAMP HARP BRASS HARP REPLACEMENT	A	PT-MYLES	PART
LIGHTING	91NOELLABRG	NOELLA BRASS GLASS GLOBE WHITE GLASS SHADE	A	PT-NOELLA	PART
LIGHTING	91NOELLBRSLP	NOELLA BRASS SLOPE CONNECTOR SLOPE CONNECTOR	T	PT-NOELLA	PART
LIGHTING	91NOELLBZSLP	NOELLA BRONZE SLOPE CONNECTOR SLOPE CONNECTOR	T	PT-NOELLA	PART
LIGHTING	91NOELLASHD	NOELLA GLASS SHADE GLASS SHADE	T	PT-NOELLA	
LIGHTING	91NORW143G	NORWELL CHANDELIER GLOBE GLASS GLOBE	T	PT-NORWELL	PART
LIGHTING	91OAKLEY6HRP	OAKLEY TABLE LAMP 6" HARP 6" BRASS HARP	A	PT-OAKLEY	PART
LIGHTING	91OMBRATLFIN	OMBRA WH TBL LAMP BRS FINIAL BRASS TABLE LAMP FINIAL	A	PT-OMBRA	PART
LIGHTING	91ORGCYLNT	ORGANIC S/2 CYLINDER NUTS SET OF 2 CYLINDER NUTS	T	PT-ORGANIC	PART
LIGHTING	91PALOMA12CH	PALOMA CHAND 12FT CHAIN 12 FEET	A	PT-PALOMA	PART
LIGHTING	91PALOMA6CH	PALOMA CHAND 6FT CHAIN 6 FEET	A	PT-PALOMA	PART
LIGHTING	91PALOMACN	PALOMA CHAND CANOPY CANOPY W/ HARDWARE	A	PT-PALOMA	PART
LIGHTING	91594L69F	PIERCE FLOOR LAMP FINIAL IRON FINIAL	A	PT-PIERCE	PART
LIGHTING	91594L69H	PIERCE FLOOR LAMP HARP IRON HARP	A	PT-PIERCE	PART
LIGHTING	91594L69SH	PIERCE FLOOR LAMP SHADE FAUX SILK REPLACEMENT SHADE	A	PT-PIERCE	
LIGHTING	91594L68F	PIERCE TABLE LAMP FINIAL IRON FINIAL	A	PT-PIERCE	PART
LIGHTING	91594L68H	PIERCE TABLE LAMP HARP IRON HARP	A	PT-PIERCE	PART
LIGHTING	91594L68SH	PIERCE TABLE LAMP SHADE FAUX SILK REPLACEMENT SHADE	A	PT-PIERCE	
LIGHTING	912036B4PCH	POPPY GOLD 4MM 12 FT CHAIN .16" X 12 FT GOLD CHAIN	A	PT-POPPY	PART
LIGHTING	912036B4PCH6	POPPY GOLD 4MM 6 FT CHAIN .16" X 6 FT GOLD CHAIN	A	PT-POPPY	PART
LIGHTING	912036B6PCH	POPPY GOLD 6MM 12 FT CHAIN .24" X 12 FT GOLD CHAIN	A	PT-POPPY	PART
LIGHTING	912036B6PCH6	POPPY GOLD 6MM 6 FT CHAIN .24" X 6 FT GOLD CHAIN	A	PT-POPPY	PART
LIGHTING	912036BPCN	POPPY GOLD CANOPY 4.75" DIAM CANOPY W/ HRDWR	A	PT-POPPY	PART

Super Category	Product ID	Description	Stat	Collection	Route
LIGHTING	912036BPFL	POPPY GOLD LARGE FINIAL LG BOTTOM PLATE W/ FINIAL	A	PT-POPPY	PART
LIGHTING	912036BPFS	POPPY GOLD SMALL FINIAL SM BOTTOM PLATE W/ FINIAL	A	PT-POPPY	PART
LIGHTING	912036BPFIN	POPPY TOP DECORATIVE FINIAL GOLD DECORATIVE TOP FINIAL	A	PT-POPPY	PART
LIGHTING	91POPPYCON	POPPY U-SHAPED CONNECTOR CHAIN	T	PT-POPPY	PART
LIGHTING	913507L105F	PORTOBELLO TABLE LAMP FINIAL 3/4" ANTIQUE BRASS FINIAL	A	PT-PORTOBE	PART
LIGHTING	913507L105H	PORTOBELLO TABLE LAMP HARP 7" BRASS HARP	A	PT-PORTOBE	PART
LIGHTING	91RAECHGLB	RAECHELLE GLASS GLOBE MILK GLOBE	T	PT-RAECH	PART
LIGHTING	913507L210AB	RETRO TRIPOD BULB COVER ANTQ BRASS INSIDE SM SHADE	A	PT-RETRO	PART
LIGHTING	91RHYSBRF	RHYS BRASS LAMP FINIAL 1.25" BRASS FINIAL	A	PT-RHYS	PART
LIGHTING	91RHYSBZF	RHYS BRONZE LAMP FINIAL 1.25" BRONZE FINIAL	A	PT-RHYS	PART
LIGHTING	91RHYSNKF	RHYS NICKEL LAMP FINIAL 1.25" NICKEL FINIAL	A	PT-RHYS	PART
LIGHTING	91ROSCOEFIX	ROSCOE BRASS FIXTURE FIXTURE ONLY	D	PT-ROSCOE	PART
LIGHTING	91ROSCOEG	ROSCOE CHANDELIER GLOBE 7.75" GLOBE REPLACEMENT	A	PT-ROSCOE	PART
LIGHTING	91ROSCOESH	ROSCOE S/6 LG DBL-HEAD SCREWS SET OF 6 DBL HEAD CONN.	A	PT-ROSCOE	PART
LIGHTING	91ROSCOEEDHC	ROSCOE S/6 LG SNGL-HEAD SCREWS SET OF 6 SINGLE HEAD CONN.	A	PT-ROSCOE	PART
LIGHTING	91ROSCOSMSCW	ROSCOE S/7 SM SET SCREWS S/7 CONNECTOR ARM SCREWS	T	PT-ROSCOE	PART
LIGHTING	91SANTIAGFIN	SANTIAGO TABLE LAMP FINIAL BRASS FINIAL	A	PT-SANTIAG	PART
LIGHTING	91SANTIAGHRP	SANTIAGO TABLE LAMP HARP BRASS HARP	A	PT-SANTIAG	PART
LIGHTING	912036H71CH	SARDINIA CHAND 12 FT CHAIN 12 FT RUST CHAIN	A	PT-SARDINI	PART
LIGHTING	912036H71CH6	SARDINIA CHAND 6 FT CHAIN 6 FT RUST CHAIN	A	PT-SARDINI	PART
LIGHTING	912036H72CN	SARDINIA CHAND RECT CANOPY RECT CANOPY W/ HARDWARE	A	PT-SARDINI	PART
LIGHTING	912036H71CN	SARDINIA CHAND ROUND CANOPY ROUND CANOPY W/ HARDWARE	A	PT-SARDINI	PART
LIGHTING	91636H244CH	LG SCROLL CHAND 12 FT CHAIN 5 MM X 3.7 MT RUST CHAIN	D	PT-SCROLL	PART
LIGHTING	91636H244CH6	LG SCROLL CHAND 6 FT CHAIN 5 MM X 1.8 MT RUST FINSH CH	D	PT-SCROLL	PART
LIGHTING	91636H244CN	LG SCROLL CHAND CANOPY RUST FINISH CANOPY W/ HARDWARE	D	PT-SCROLL	PART
LIGHTING	91636H244CRL	LG SCROLL CHAND LG CRYSTAL 40 MM CRYSTAL W/ 3 BEADS	D	PT-SCROLL	PART
LIGHTING	91636H244CRM	LG SCROLL CHAND MD CRYSTAL 30 MM CRYSTAL W/ 2 BEADS	D	PT-SCROLL	PART
LIGHTING	91636H244CC	LG SCROLL RUST CANDLE COVER LONG METAL RUST SLEEVE	A	PT-SCROLL	PART
LIGHTING	91636H120CH	LG SCROLL SLVR CHAND 12 FT CH 5 MMX3.7 MT SILV CLAY FINSH CH	D	PT-SCROLL	PART
LIGHTING	91636H120CH6	LG SCROLL SLVR CHAND 6 FT CH 5 MMX1.8 MT SILV CLAY FINSH CH	D	PT-SCROLL	PART
LIGHTING	91636H120CN	LG SCROLL SLVR CHAND CANOPY SILVER CLAY FINISH CANOPY	D	PT-SCROLL	PART
LIGHTING	91636H120CRL	LG SCROLL SLVR CHAND LG CRYSTL 40 MM CRYSTAL W/ 3 BEADS	D	PT-SCROLL	PART
LIGHTING	91636H120CRM	LG SCROLL SLVR CHAND MD CRYSTL 30 MM CRYSTAL W/ 2 BEADS	D	PT-SCROLL	PART

Super Category	Product ID	Description	Stat	Collection	Route
LIGHTING	91SOLTAIRSHD	SOLTAIRE GLASS SHADE GLASS SHADE	T	PT-SOLTAIR	
LIGHTING	916587H142R3	CLEAR GLASS CRYSTAL ROD LG 8" ROD W/ 50 MM GLASS CRYSTAL	D	PT-SPHERE	PART
LIGHTING	916587H142R2	CLEAR GLASS CRYSTAL ROD MD 7" ROD W/ 45 MM GLASS CRYSTAL	A	PT-SPHERE	PART
LIGHTING	916587H142R1	CLEAR GLASS CRYSTAL ROD SM 6" ROD W/ 28 MM GLASS CRYSTAL	A	PT-SPHERE	PART
LIGHTING	916587H142RKT	CLEAR GLASS CRYSTALS FULL SET SM, MD, LG CRYSTALS WITH RODS	A	PT-SPHERE	PART
LIGHTING	912036L528H	ST AUGUSTINE CARVED LAMP HARP HARP	D	PT-STAUG	PART
LIGHTING	912036L528SH	ST AUGUSTINE CARVED LAMP SHADE REPLACEMENT SHADE	D	PT-STAUG	
LIGHTING	912036L528F	ST AUGUSTINE CARVED LMP FINIAL TOP WOOD FINIAL	D	PT-STAUG	PART
LIGHTING	912036L526F	ST AUGUSTINE TALL LAMP FINIAL TOP WOOD FINIAL	A	PT-STAUG	PART
LIGHTING	912036L526P	ST AUGUSTINE TALL LAMP PIPE PIPE TO SUPPORT SHADE	A	PT-STAUG	PART
LIGHTING	912036L526SH	ST AUGUSTINE TALL LAMP SHADE REPLACEMENT SHADE	A	PT-STAUG	PART
LIGHTING	91STUCCOHRP	STUCCO TABLE LAMP HARP 7" HARP	T	PT-STUCCO	PART
LIGHTING	91594H163CH	SUTHERLIN CHAND 12 FT CHAIN 12 FT WHITE GESSO CHAIN	A	PT-SUTHERL	PART
LIGHTING	91594H163CH6	SUTHERLIN CHAND 6 FT CHAIN 6 FT WHITE GESSO CHAIN	A	PT-SUTHERL	PART
LIGHTING	91594H163CN	SUTHERLIN CHAND CANOPY 5" DIA WHITE CANOPY W/ HDWR	A	PT-SUTHERL	PART
LIGHTING	91594H163CS	SUTHERLIN CHAND S/6 SLEEVES SET OF 6 WHITE CANDLE SLEEVES	A	PT-SUTHERL	PART
LIGHTING	91THORNTBFIN	THORNTON 26" TBL LAMP FINIAL BRASS FINIAL	A	PT-THORNTN	PART
LIGHTING	91THORNTBHRP	THORNTON 26" TBL LAMP HARP BRASS HARP	A	PT-THORNTN	PART
LIGHTING	911595350HW	TREMONT SCONCE HARDWARE 1 SET OF REPLACEMENT HARDWARE	A	PT-TREMONT	PART
LIGHTING	912036URCRB	URSULA BALL CRYSTAL GLASS BALL CRYSTAL	A	PT-URSULA	PART
LIGHTING	912036URCRBT	URSULA BOTTOM CRYSTAL BOTTOM GLASS CRYSTAL	A	PT-URSULA	PART
LIGHTING	912036415CH	URSULA CHAND 12 FT CHAIN .16" X 12 FT CHAIN	A	PT-URSULA	PART
LIGHTING	912036415CH6	URSULA CHAND 6 FT CHAIN .16" X 6 FT CHAIN	A	PT-URSULA	PART
LIGHTING	912036H77CN	URSULA RECT CHAND CANOPY RECT CANOPY W/ HARDWARE	A	PT-URSULA	PART
LIGHTING	912036URCL	URSULA S/10 CLIPS SET OF 10 CLIPS	A	PT-URSULA	PART
LIGHTING	912036415CN	URSULA SM ROUND CHAND CANOPY CANOPY W/ HARDWARE	A	PT-URSULA	PART
LIGHTING	912036URCRTP	URSULA TOP CRYSTAL TOP GLASS CRYSTAL	A	PT-URSULA	PART
LIGHTING	912012H298CH	VANVES CHAND 12 FT CHAIN 12 FT ANTQ BLACK CHAIN	A	PT-VANVES	PART
LIGHTING	912012H298CH6	VANVES CHAND 6 FT CHAIN 6 FT ANTQ BLACK CHAIN	A	PT-VANVES	PART
LIGHTING	912012H298CS	VANVES CHAND BLK CANDLE SLEEVE BLACK CANDLE COVER	A	PT-VANVES	PART
LIGHTING	912012H298CN	VANVES CHAND CANOPY 6" DIAM CANOPY W/ HARDWARE	A	PT-VANVES	PART
LIGHTING	912012H343CS	VANVES CHAND WHT CANDLE SLEEVE WHITE CANDLE COVER	A	PT-VANVES	PART
LIGHTING	91636VITCH	VITICCIO CHAND 12 FT CHAIN GREY SILVER 12 FT CHAIN	A	PT-VITICCI	PART

Super Category	Product ID	Description	Stat	Collection	Route
LIGHTING	91636VITCH6	VITICCIO CHAND 6 FT CHAIN GREY SILVER 6 FT CHAIN	A	PT-VITICCI	PART
LIGHTING	91636VITCN	VITICCIO CHAND CANOPY CANOPY W/ HARDWARE	A	PT-VITICCI	PART
LIGHTING	91636VITCR	VITICCIO CHAND CRYSTAL CRYSTAL STRAND W/ DROP	A	PT-VITICCI	PART
LIGHTING	91636VITF	VITICCIO CHAND FINIAL CRYSTAL FINIAL	A	PT-VITICCI	PART
LIGHTING	912036VBD	VIVIENNE BOTTOM PLATE 6.7" DIA. WOODEN PLATE	A	PT-VIVIENN	PART
LIGHTING	912036H268CH	VIVIENNE CHAND 12 FT CHAIN .16" X 12 FT CHAIN	A	PT-VIVIENN	PART
LIGHTING	912036H268CH6	VIVIENNE CHAND 6 FT CHAIN .16" X 6 FT CHAIN	A	PT-VIVIENN	PART
LIGHTING	912036H268CN	VIVIENNE CHAND CANOPY CANOPY W/ HARDWARE	A	PT-VIVIENN	PART
LIGHTING	912036H268CRC	VIVIENNE CHAND CRYSTAL STRAND WOODEN BEAD STRAND	A	PT-VIVIENN	PART
LIGHTING	912036H268CRL	VIVIENNE CHAND LG CRYSTAL WOOD DROP W/ LONG STRAND	A	PT-VIVIENN	PART
LIGHTING	912036H268CL	VIVIENNE CHAND S/10 CLIPS SET OF 10 CLIPS	A	PT-VIVIENN	PART
LIGHTING	912036H268CRS	VIVIENNE CHAND SM CRYSTAL WOOD DROP W/ SHORT STRAND	A	PT-VIVIENN	PART
LIGHTING	91WATLBZCH16	WATLEY BZ 16" CHAIN/22" PEND 16 CHAIN/22 CONE PNDT	A	PT-WATLEY	PART
LIGHTING	912012WPCH	WOODEN PRISM 12 FT CHAIN 12 FT ANTQ BRONZE CHAIN	A	PT-WDPRISM	PART
LIGHTING	912012WPCH6	WOODEN PRISM 6 FT CHAIN 6 FT ANTQ BRONZE CHAIN	A	PT-WDPRISM	PART
LIGHTING	912012WPSL	WOODEN PRISM CANDLE SLEEVE ANTQ BRONZE CANDLE COVER	A	PT-WDPRISM	PART
LIGHTING	912012WPCN	WOODEN PRISM CANOPY CANOPY W/ HARDWARE	A	PT-WDPRISM	PART
LIGHTING	9135070576F	WESTGATE FLOOR LAMP FINIAL BRASS FINIAL	D	PT-WESTGAT	PART
LIGHTING	9135070576H	WESTGATE FLOOR LAMP HARP BRASS HARP	D	PT-WESTGAT	PART
LIGHTING	9135070577F	WESTGATE TABLE LAMP FINIAL BRASS FINIAL	D	PT-WESTGAT	PART
LIGHTING	9135070577H	WESTGATE TABLE LAMP HARP BRASS HARP	D	PT-WESTGAT	PART