

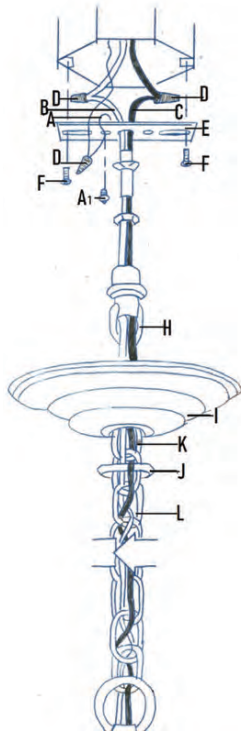
IVY CHANDELIER 5 LTS NEW GREY W/SILVER #66636H148

ARHAUS®

your home

parts enclosed:

- (D) wire nuts (3)
- (E) cross bar set (1)
- (F) cross bar screws (2)
- (I) canopy (1)



important safety instructions:

1. We recommend installation by a licensed electrician.
2. To avoid the risk of fire, do not exceed the recommended wattage for this fixture.

wattage: 5 x 40W
type of socket: E12

warnings:

1. Do not remove the lamp from its packaging by pulling on the power cord, as a bad connection may result.
2. To avoid the risk of fire, electrical shock, or personal injury, turn off lamp and allow it to cool prior to replacing light bulb.
3. Do not touch bulb when fixture is turned on or look directly at lit bulb.
4. Keep flammable materials away from lit bulb.

to assemble:

- Attach cross bar (E) to the ceiling junction box using the cross bar screws (F).
- Unscrew the collar ring (J).
- Insert the collar loop (H) into the canopy (I).
- Screw the collar ring (J) back.
- Attach the chandelier chain (L) to the collar loop (H) with the quick link (K).

See back of the page for wiring connection details.

care instructions:

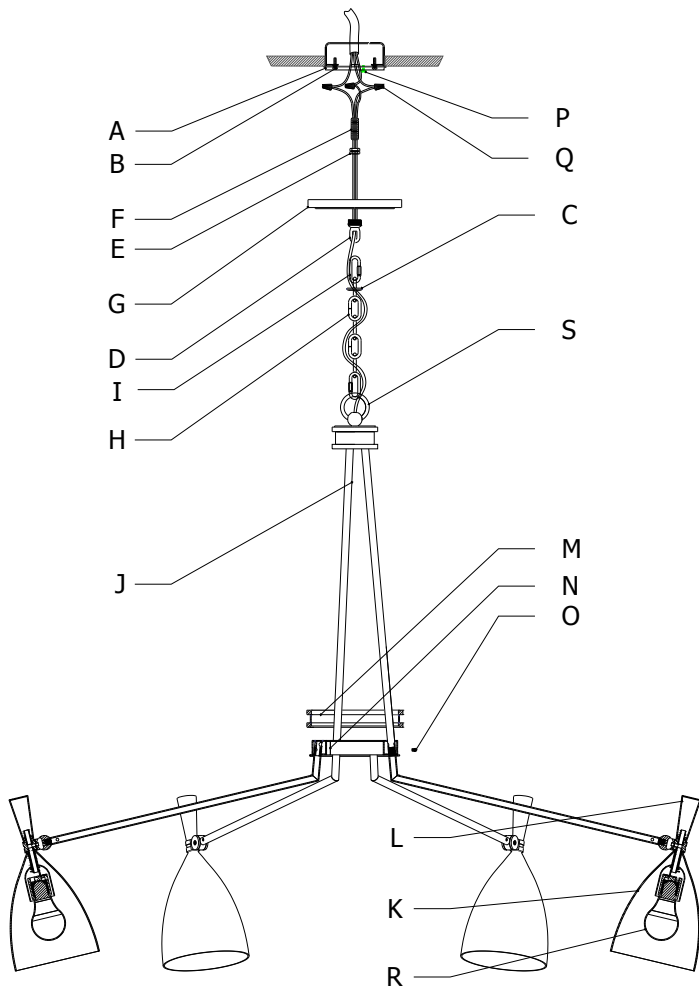
Clean with dry soft cloth/brush only.
Do not use water/alcohol or any detergent.

LIGHTING PARTS SKUS

CATEGORY	SKU	DESCRIPTION	STATUS	COLLECTION	ROUTE
LIGHTING	91636H111CH	IVY CHANDELIER 12 FT CHAIN 5 MMX3.7 MT GREY SILV FINSH CH	A	PT-IVY	PART
LIGHTING	91636H111CH6	IVY CHANDELIER 6 FT CHAIN 5 MMX1.8 MT GREY SILV FINSH CH	A	PT-IVY	PART
LIGHTING	91636H111CN	IVY CHANDELIER CANOPY GREY SILV FINSH CANOPY W/ HRDW	A	PT-IVY	PART

parts enclosed:

- (A) Mounting strap (1)
- (B) Mounting screws (2)
- (C) Threaded ring (1)
- (D) Screw collar loop (1)
- (E) Hex nuts (2)
- (F) Nipple (1)
- (G) Canopy (1)
- (H) Chain (1)
- (I) Quicklink Chain (2)
- (J) Fixture Assembly (1)
- (K) Shades (6)
- (L) Finials (6)
- (M) Cover (1)
- (N) Center ring (1)
- (O) Flathead screws (6)
- (P) Green screw (1)
- (Q) Plastic wire connector (3)



Important safety instructions:

1. We recommend installation by a licensed electrician.
2. To avoid the risk of fire, do not exceed the recommended wattage for this fixture.

Max watt - 6x15w , E 26 Type A - 6 Bulbs

Warnings:

1. Do not remove the lamp from its packaging by pulling on the power cord, as a bad connection may result.
2. To avoid the risk of fire, electrical shock, or personal injury, turn off lamp and allow it to cool prior to replacing light bulb.
3. Do not touch bulb when fixture is turned on or look directly at lit bulb.
4. Keep flammable materials away from lit bulb.
5. Be sure to shut off power at the main fuse before installing the fixture.

To Assemble:

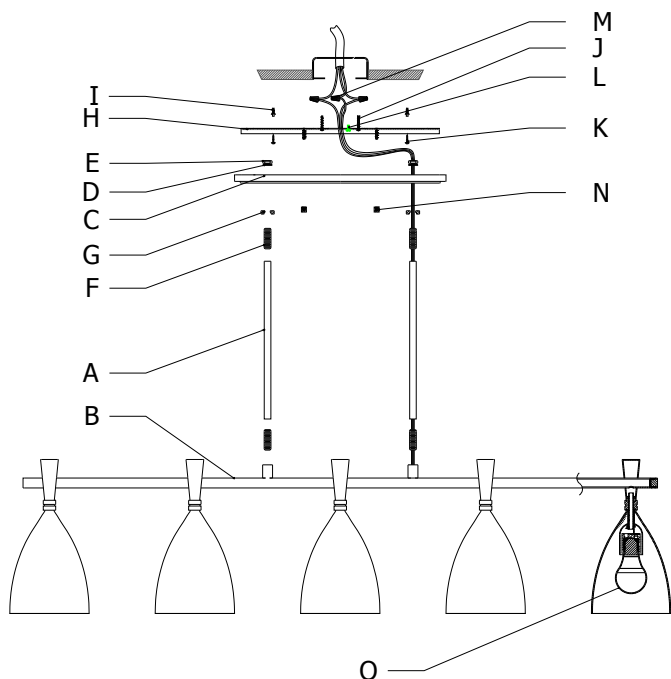
1. Carefully unpack all fixture parts and hardware. Lay items out on a clear workspace.
2. Place the mounting strap (A) over the outlet using mounting screws (B).
3. Remove the threaded ring (C) from the screw collar loop (D). Fully thread the screw collar loop (D) on to the nipple. Thread the hex nuts (E) on to the nipple (F) and the nipple (F) into the mounting strap (A). Place the canopy (G) over the screw collar (D) and against the ceiling. Adjust the nipple (F) so that 1/4" of threads on the screw collar loop (D). Secure the canopy (G) using the threaded ring (C).
4. Attach the chain (H) with quicklink chain (I) to the fixture loop (S). Determine the desired drop and remove the excess chain.
5. Hang the fixture assembly (J) to the screw collar loop (D) on the canopy (G) using a quicklink chain (I).
6. Unscrew threaded ring (C) from the screw collar loop (D). Slide down the threaded ring (C) and canopy (G) through the chain (H).
7. Discard the brace on top of the shades (K) by removing the hex nuts & replacing them with the finials (L).
8. Rotate the loose arms clockwise to their designated places.
9. Lift the cover (M) of the center ring (N) & use the provided flat head screws (O) to fix the arms to their places. Place back the cover (M) to the center ring (N).
10. Measure 6" of lead and ground wire beyond the top of the chain. Cut off excess wire. Strip the insulation of the ends of the leads exposing approx. 1/2" of wire. Twist the strands together. Push the leads and ground wire up through the screw collar loop and into the outlet box.
11. Pull wire from the junction box and attach ground wire (usually green or bare) on the green screw (P) on the mounting strap (A).
12. Attached hot wire from junction box (usually black) to hot wire on the fixture with a plastic wire connector (Q) and wrap this connection with electrical tape.
13. Attached hot wire from junction box (usually white) to hot wire on the fixture with a plastic wire connector (Q) and wrap this connection with electrical tape. Slide the canopy (G) up the chain (H) and fasten using the threaded ring (C) to the ceiling.
14. Install the lamps (R).
15. Restore power to the circuit breaker or fuse box.

Care instructions:

Dust with a soft dry cloth. To protect finish, avoid the use of chemicals and household cleaners.

parts enclosed:

- (A) Extension Rods (24)
- (B) Fixture assembly (1)
- (C) Canopy (1)
- (D) Lock Washers (2)
- (E) Hex nuts (2)
- (F) Nipple (24)
- (G) Check ring (2)
- (H) Mounting Plate (1)
- (J) Mounting screws (2)
- (L) Green screw (1)
- (M) Plastic wire connectors (3)
- (N) Barrel Nuts (2)



Important safety instructions:

1. We recommend installation by a licensed electrician.
2. To avoid the risk of fire, do not exceed the recommended wattage for this fixture.

Max watt - 5x15w , E 26 Type A - 5 Bulbs

Warnings:

1. Do not remove the lamp from its packaging by pulling on the power cord, as a bad connection may result.
2. To avoid the risk of fire, electrical shock, or personal injury, turn off lamp and allow it to cool prior to replacing light bulb.
3. Do not touch bulb when fixture is turned on or look directly at lit bulb.
4. Keep flammable materials away from lit bulb.
5. Be sure to shut off power at the main fuse before installing the fixture.

To Assemble:

1. Carefully unpack all fixture parts and hardware. Lay items out on a clear workspace.
2. Determine the desired hanging height of the lighting fixture from ceiling. Assemble the Extension rods (A) using nipple (F) to the desired height. Guide wiring carefully through the Extension rods (A) and thread the end Extension rods (A) together to the fixture assembly (B) & then attached the other end to the check ring (G) & Canopy (C) using lock washers (D) & hex nuts (E).
3. Mark the location of the mounting plate (H) holes on the ceiling using a pencil. Using the marks as a guide, drill holes for the Anchor (I) in to the holes. Using a hammer to fully insert until flush with the ceiling.
4. Attach the mounting plate (H) to the ceiling outlet box using the mounting screws (J). Fasten the anchor screws (K) to the anchors (I). Tighten with a screwdriver.
5. Cut off the excess fixture wire 6" beyond the canopy (C).
6. Pull wire from the junction box and attach ground wire (usually green or bare) on the green screw (L) on the mounting strap (H).
7. Attached hot wire from junction box (usually black) to hot wire on the fixture with a plastic wire connector (M) and wrap this connection with electrical tape.
8. Attached hot wire from junction box (usually white) to hot wire on the fixture with a plastic wire connector (M) and wrap this connection with electrical tape.
9. Attach the Canopy (C) with the Fixture assembly (B) to the mounting plate (H) using the Barrel nuts. (N)
10. Install the Lamps. (O)
11. Restore power to the circuit breaker or fuse box.

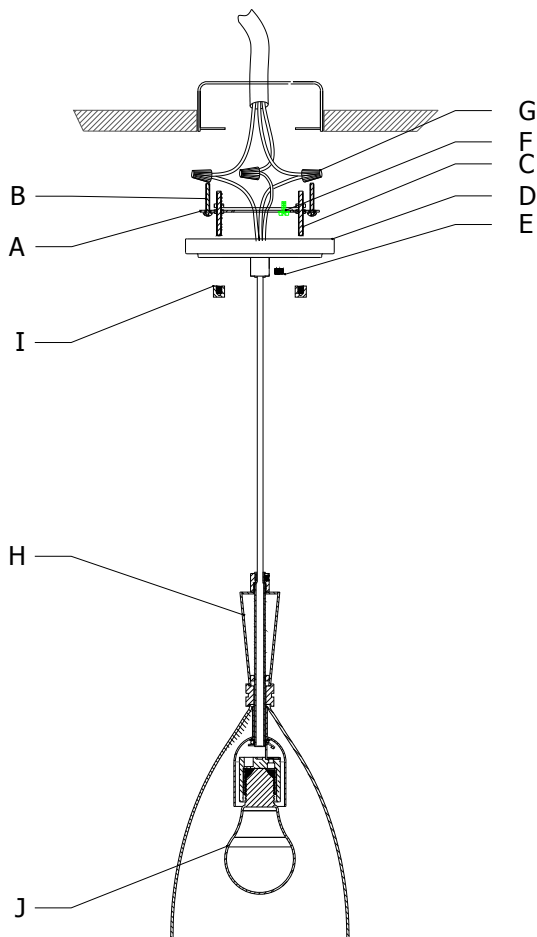
Care instructions:

Dust with a soft dry cloth. To protect finish, avoid the use of chemicals and household cleaners.

JACARRA 1 LIGHT PENDANT

parts enclosed:

- (A) Mounting strap (1)
- (B) Mounting screws (2)
- (C) Threaded studs (2)
- (D) Canopy (1)
- (E) Allen screw (2)
- (F) Green screw (1)
- (G) Check ring (2)
- (H) Plastic wire connectors (3)
- (I) Barrel nuts (2)



Important safety instructions:

1. We recommend installation by a licensed electrician.
2. To avoid the risk of fire, do not exceed the recommended wattage for this fixture.

Max watt - 1x15w , E 26 Type A - 1 Bulb

Warnings:

1. Do not remove the lamp from its packaging by pulling on the power cord, as a bad connection may result.
2. To avoid the risk of fire, electrical shock, or personal injury, turn off lamp and allow it to cool prior to replacing light bulb.
3. Do not touch bulb when fixture is turned on or look directly at lit bulb.
4. Keep flammable materials away from lit bulb.
5. Be sure to shut off power at the main fuse before installing the fixture.

To Assemble:

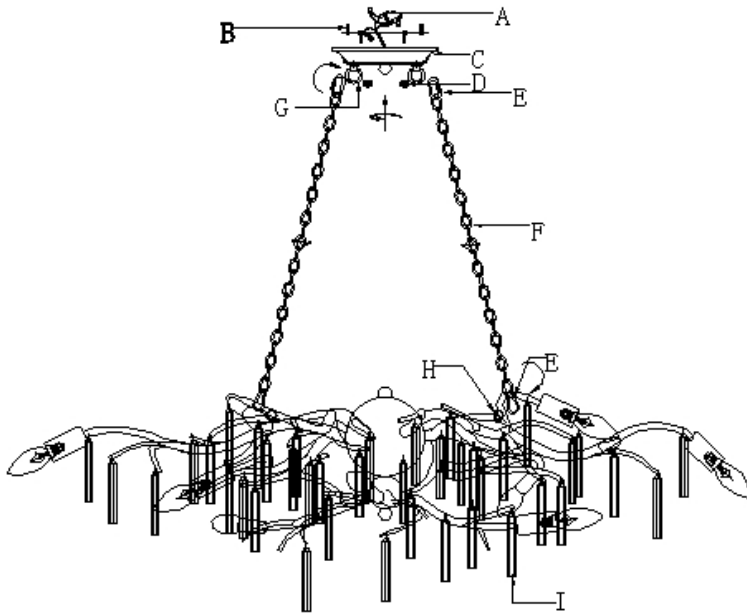
1. Carefully unpack all fixture parts and hardware. Lay items out on a clear workspace.
2. Attach the mounting strap (A) to the outlet box using mounting screws (B). Thread the studs (C) into the mounting strap (A) at the spacing that matches the mounting holes on the Canopy (D).
3. Determine the overall desired drop of the fixture. Tighten the allen screws (E) to fix the lead wire desired length.
4. Cut off the excess fixture wire 6" beyond the canopy (D).
5. Pull wire from the junction box and attach ground wire (usually green or bare) on the green screw (F) on the mounting strap (A).
6. Attached hot wire from junction box (usually black) to hot wire on the fixture with a plastic wire connector (G) and wrap this connection with electrical tape.
7. Attached hot wire from junction box (usually white) to hot wire on the fixture with a plastic wire connector (G) and wrap this connection with electrical tape.
8. Attach the Canopy (D) with the Fixture assembly (H) to the mounting plate (A) using the Barrel nuts. (I)
9. Install the Lamps. (J)
10. Restore power to the circuit breaker or fuse box.

Care instructions:

Dust with a soft dry cloth. To protect finish, avoid the use of chemicals and household cleaners.

parts enclosed:

Part	Description	Qty.	Part	Description	Qty.
A	nipples	3	F	chain	3
B	mounting bracket	1	G	loops # G	3
C	rectangular base	1	H	loops # H	3
D	screw #D	2	I	selenite crystals	51
E	open ring	6			



important safety instructions:

1. We recommend installation by a licensed electrician.
2. To avoid the risk of fire, do not exceed the recommended wattage for this fixture.

warnings:

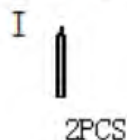
1. Do not remove the lamp from its packaging by pulling on the power cord, as a bad connection may result.
2. To avoid the risk of fire, electrical shock, or personal injury, turn off lamp and allow it to cool prior to replacing light bulb.
3. Do not touch bulb when fixture is turned on or look directly at lit bulb.
4. Keep flammable materials away from lit bulb.

to assemble:

1. Carefully remove all parts from the box.
2. Remove the mounting bracket (B) from the rectangular base (C) by loosening the screws (D).
3. Use the open ring (E) on the end of the chains (F) to link the loops (G) on canopy (C) and the loops (H) on the lamp body while put the cable through one of the chains (F) in every 3-4 rings until through the ceiling loop (G).
4. INSURE THE ELECTRICITY SUPPLY IS TURNED OFF.
5. Affix the mounting bracket (B) on the outlet box.
6. Hold the lamp body and wrap both safety cable with nipples (A), push the cable into the outlet box.
7. Attach the rectangular base (C) to the mounting bracket (B) and secure with screws (D).
8. Install the bulbs on the sockets.
9. Install the selenite crystals (I) on the lamp body according to the illustration.
10. Installation is complete, turn on power at fuse or circuit breaker.



Spare parts



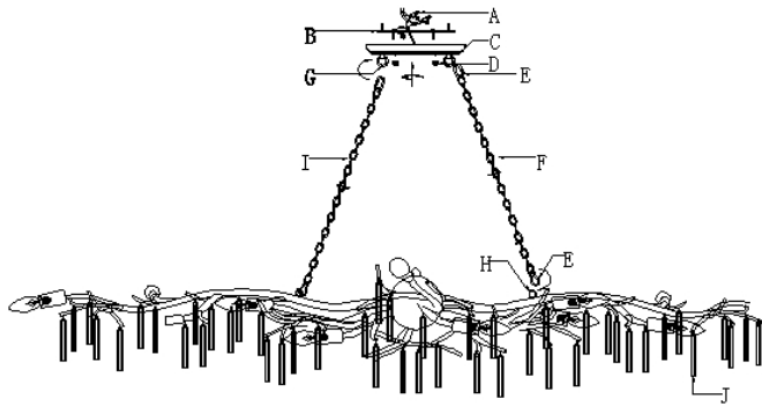
care instructions:

Clean with a dry, soft cloth only. Use no harsh abrasives or chemical agents.

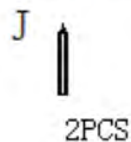
parts enclosed:

Part	Description	Qty.
A	nipples	3
B	mounting bracket	1
C	rectangular base	1
D	screw #D	2
E	open ring	8

Part	Description	Qty.
F	chain	4
G	loops # G	4
H	loops # H	4
I	selenite crystals	46



Spare parts



important safety instructions:

1. We recommend installation by a licensed electrician.
2. To avoid the risk of fire, do not exceed the recommended wattage for this fixture.

warnings:

1. Do not remove the lamp from its packaging by pulling on the power cord, as a bad connection may result.
2. To avoid the risk of fire, electrical shock, or personal injury, turn off lamp and allow it to cool prior to replacing light bulb.
3. Do not touch bulb when fixture is turned on or look directly at lit bulb.
4. Keep flammable materials away from lit bulb.

to assemble:

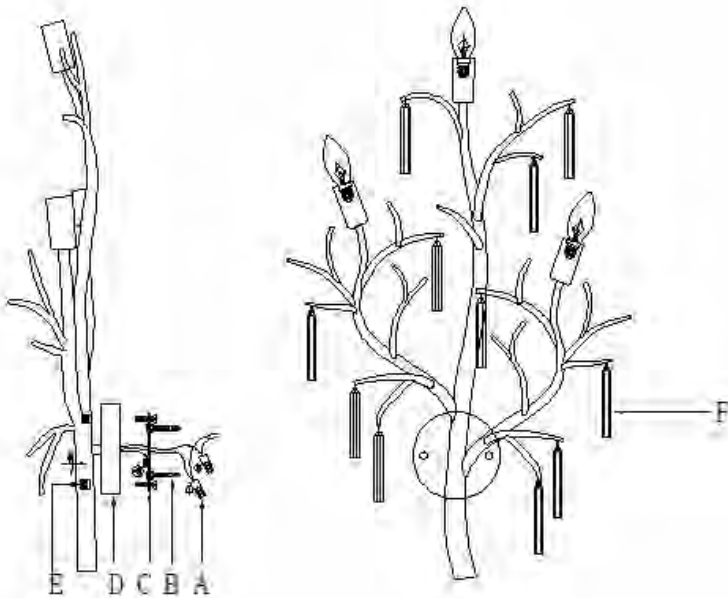
1. Carefully remove all parts from the box.
2. Remove the mounting bracket (B) from the rectangular base (C) by loosening the screws (D).
3. Use the open ring (E) on the end of the chains (F) (I) to link the loops (G) on canopy (C) and the loops (H) on the lamp body while put the cable through one of the chains (F) in every 3-4 rings until through the ceiling loop (G).
4. INSURE THE ELECTRICITY SUPPLY IS TURNED OFF.
5. Affix the mounting bracket (B) on the outlet box.
6. Hold the lamp body and wrap both safety cable with nipples (A), push the cable into the outlet box.
7. Attach the rectangular base (C) to the mounting bracket (B) and secure with screws (D).
8. Install the bulbs on the sockets.
9. Install the selenite crystals (J) on the lamp body according to the illustration.
10. Installation is complete, turn on power at fuse or circuit breaker.

care instructions:

Clean with a dry, soft cloth only. Use no harsh abrasives or chemical agents.

parts enclosed:

Part	Description	Qty.
A	nipples	3
B	screw #B	2
C	mounting bracket	1
D	base	1
E	screw #E	2
F	selenite crystals	11



important safety instructions:

1. We recommend installation by a licensed electrician.
2. To avoid the risk of fire, do not exceed the recommended wattage for this fixture.

warnings:

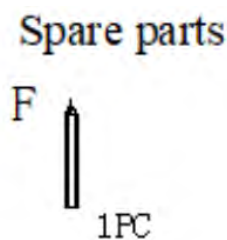
1. Do not remove the lamp from its packaging by pulling on the power cord, as a bad connection may result.
2. To avoid the risk of fire, electrical shock, or personal injury, turn off lamp and allow it to cool prior to replacing light bulb.
3. Do not touch bulb when fixture is turned on or look directly at lit bulb.
4. Keep flammable materials away from lit bulb.

to assemble:

1. Carefully remove all parts from the box.
2. Remove the mounting bracket (C) from the base (D) by loosening the screws (E).
3. Affix the mounting bracket (C) on the outlet box with the screws (B).
4. INSURE THE ELECTRICITY SUPPLY IS TURNED OFF.
5. Wrap both safety cables with nipples (A), push the base (D) on the bracket (C) and then affix it with screws (E).
6. Install the bulb on the sockets.
7. Install the selenite crystals (F) on the lamp body according to the illustration.
8. Installation is complete, turn on power at fuse or circuit breaker.

care instructions:

Clean with a dry, soft cloth only. Use no harsh abrasives or chemical agents.



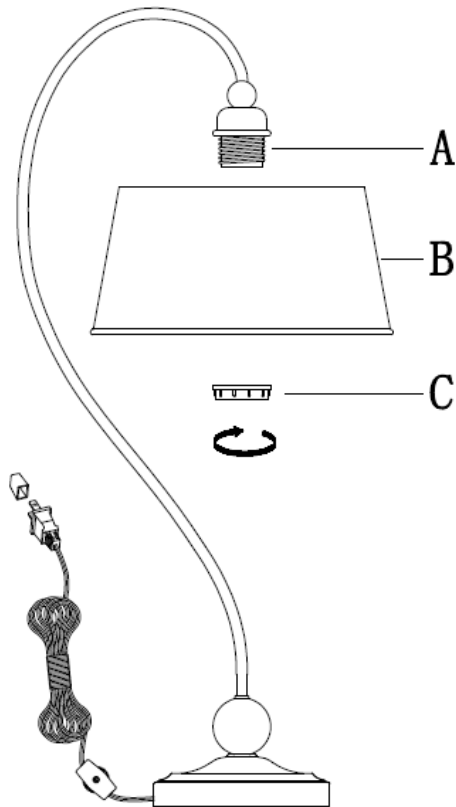
James Table Lamp

ARHAUS®

your home

parts enclosed:

B	Lamp Shade	1
C	Socket Ring	1



important safety instructions:

This portable lamp has a polarized plug (one blade is wider than the other) as a safety feature to reduce the risk of electric shock. This plug will fit in a polarized outlet only one way. If the plug does not fit fully in the outlet, reverse the plug. If it still does not fit, contact a qualified electrician. Never use with an extension cord unless plug can be fully inserted. Do not attempt to defeat this safety feature.

warnings:

1. To reduce the risk of fire, electrical shock or personal injury, always turn off and unplug the lamp and allow it to cool prior to replacing bulbs.
2. Do not touch the bulbs when the lamp is turned on. Do not look directly at lit bulbs.
3. Keep flammable materials away from lit bulbs.
4. Remove clear shade cover prior to use.
5. This portable lamp is meant for indoor use, dry locations only.
6. This lamp has been rated for up to one (1) 60-Watt maximum Type A standard medium base incandescent light bulb (not included) or one (1) 13-watt compact fluorescent light bulb (not included) or one (1) 9-Watt LED light bulb (not included). To avoid the risk of fire, do not exceed the recommended wattage.
7. Save these instructions.

to assemble:

1. Unpack all parts from carton carefully.
2. Place the Lamp Shade (B) onto the Socket (A) and lock it securely with Socket Ring (C).
3. Insert one (1) 60-watt maximum TYPE A standard base incandescent light bulb (not included) or one (1) 13-watt compact fluorescent light bulb (not included) or ONE (1) 9-watt maximum LED light bulb (not included) into the socket. **DO NOT EXCEED SPECIFIED WATTAGE.**
4. Remove Protective Plastic from Electrical Plug .
5. Plug the lamp into proper electrical outlet and test this lamp.

care instructions:

1. Wipe clean with a soft, dry cloth or static duster.
2. Always avoid the use of harsh chemicals or abrasive cleaners as they may cause damage to the lamp's finish.

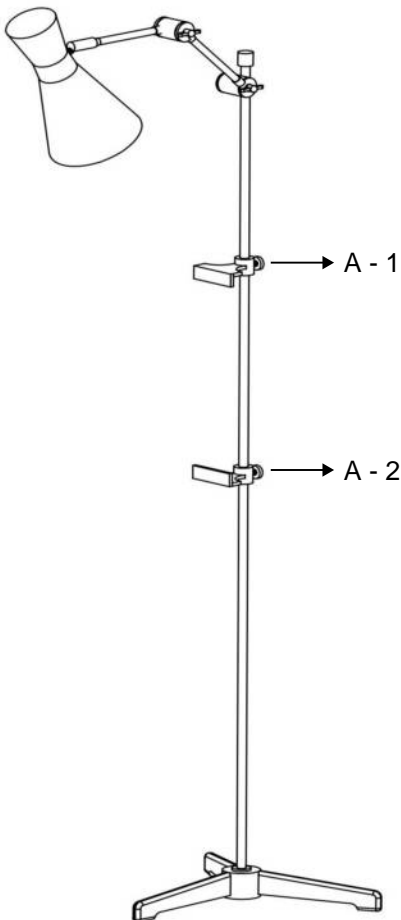
Made in China

PARTS INVENTORY

Super Category	Product ID	Description	Stat	Collection	Route
LIGHTING	91594L496SH	JAMES FLOOR LAMP SHADE IRON SHADE	A	PT-JAMES	
LIGHTING	91594L496R	JAMES FLOOR LAMP SOCKET RING WHITE SOCKET RING	A	PT-JAMES	PART
LIGHTING	91594L490SH	JAMES TABLE LAMP SHADE IRON SHADE	A	PT-JAMES	
LIGHTING	91594L490R	JAMES TABLE LAMP SOCKET RING WHITE SOCKET RING	A	PT-JAMES	PART

JAXTYN EASEL FLOOR LAMP**parts enclosed:**

1. Bracket (2)

**important safety instructions:**

1. We recommend installation by a licensed electrician.
2. To avoid the risk of fire, do not exceed the recommended wattage for this fixture.
3. Maximum weight allowance on brackets is 10 lbs.

UL NO: E310644, UL RATING: DRY, MAX BULB WATTAGE: 40W
CONVERSION TO MAX LED WATTAGE: 6W
BULB: 1 X A-19 (NOT INCLUDED)

warnings:

1. Do not remove the lamp from its packaging by pulling on the power cord, as a bad connection may result.
2. To avoid the risk of fire, electrical shock, or personal injury, turn off lamp and allow it to cool prior to replacing light bulb.
3. Do not touch bulb when fixture is turned on or look directly at lit bulb.
4. Keep flammable materials away from lit bulb.

to assemble:

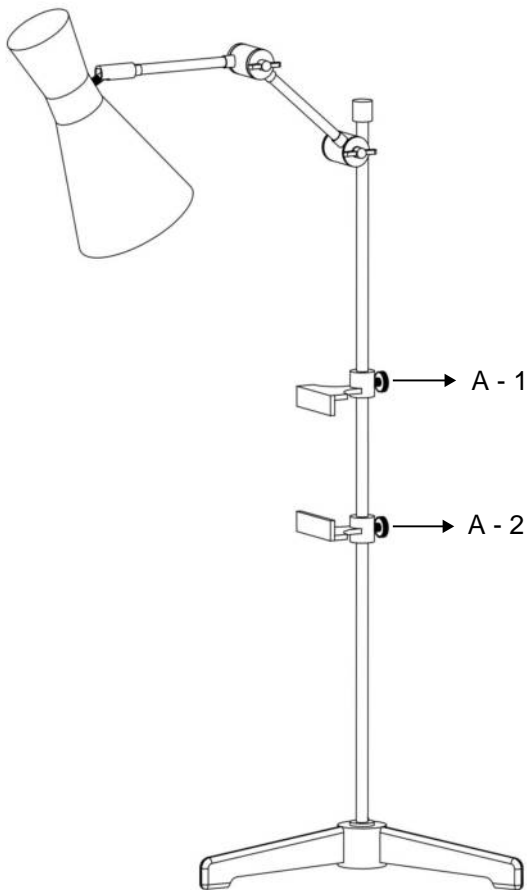
1. Carefully remove all parts from the box and remove all protective coverings.
2. Place portrait on brackets (A-1 & A-2) in same direction of arms (as shown in image).

care instructions:

DO NOT use polishes or Cleaners on your lamp. wipe with soft, lint free cloth.

JAXTYN EASEL TABLE LAMP**parts enclosed:**

1. Bracket (2)

**important safety instructions:**

1. We recommend installation by a licensed electrician.
2. To avoid the risk of fire, do not exceed the recommended wattage for this fixture.
3. Maximum weight allowance on brackets is 12 lbs.

UL NO: E310644, UL RATING: DRY, MAX BULB WATTAGE: 40W
CONVERSION TO MAX LED WATTAGE: 6W
BULB: 1 X A-19 (NOT INCLUDED)

warnings:

1. Do not remove the lamp from its packaging by pulling on the power cord, as a bad connection may result.
2. To avoid the risk of fire, electrical shock, or personal injury, turn off lamp and allow it to cool prior to replacing light bulb.
3. Do not touch bulb when fixture is turned on or look directly at lit bulb.
4. Keep flammable materials away from lit bulb.

to assemble:

1. Carefully remove all parts from the box and remove all protective coverings.
2. Place portrait on brackets (A-1 & A-2) in same direction of arms (as shown in image).

care instructions:

DO NOT use polishes or Cleaners on your lamp. wipe with soft, lint free cloth.

parts enclosed:

- A. Mounting screw (4)
- B. Wire connector (2)

important safety instructions:

1. Professional installation recommended.
2. To avoid the risk of fire, do not exceed the recommended wattage for this fixture.

UL NO: E340057, UL RATING: DRY, MAX BULB WATTAGE: 40 W
 CONVERSION TO MAX LED WATTAGE: 4-5 W
 BULB: 14 X A-19 (NOT INCLUDED)

warnings:

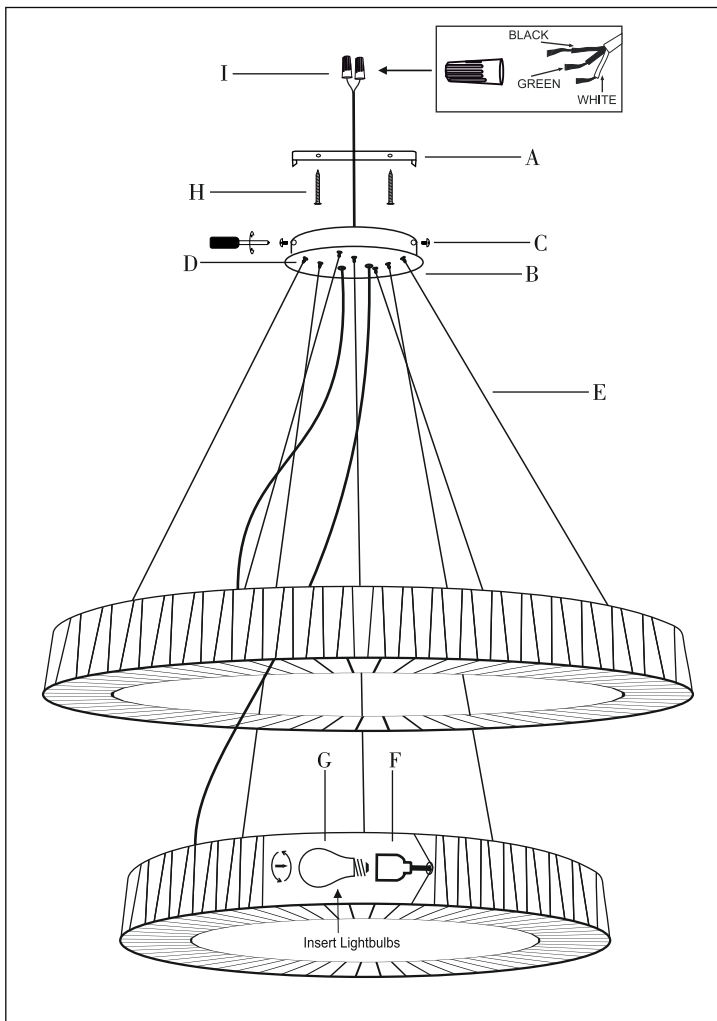
1. Do not remove the lamp from its packaging by pulling on the power cord, as a bad connection may result.
2. To avoid the risk of fire, electrical shock, or personal injury, turn off lamp and allow it to cool prior to replacing light bulb.
3. Do not touch bulb when fixture is turned on or look directly at lit bulb.
4. Keep flammable materials away from lit bulb.

to assemble:

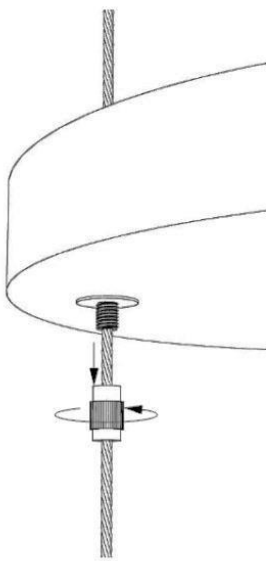
1. Carefully remove all parts from the box and remove all protective coverings.
2. Turn OFF power to the junction box where the lamp will be installed.
3. Measure desired drop of fixture from ceiling, and adjust the length of clutch wire (E) by loosen up the gripper (D), if desired.
4. Attach cross bar (A) to ceiling outlet box using mounting screws (H).
5. Pull wire from ceiling box and attach ground wire (usually green or bare wire) on cross bar (A) with a screw.
6. Attach hot wire from ceiling box (usually black) to hot wire on fixture with a plastic wire connector (I) and wrap this connection with an electrical tape.
7. Attach neutral wire from ceiling box (usually white) to neutral wire on fixture with a plastic wire connector (I) and wrap this connection with an electrical tape.
8. Slide canopy (B) up and hold flush against cross bar (A) then screw the side screw (C) to the corresponding holes of cross bar (A) to hang the fixture.
9. Insert the bulb (G) into socket (F) as shown in picture. Repeat for all 14 bulbs.
10. Restore power to the junction box and test lamp fixture.

care instructions:

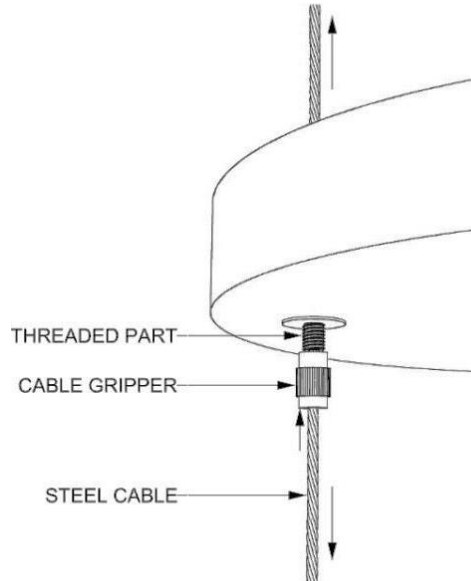
Do not use polishes or cleaners on your lamp. Just wipe with soft, lint free cloth.



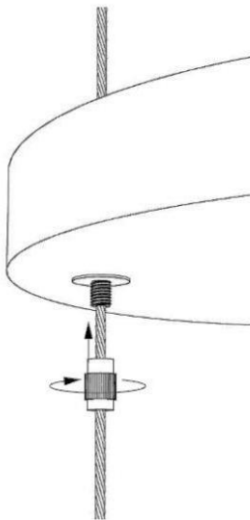
HOW TO ADJUST LENGTH OF STEEL CABLE:



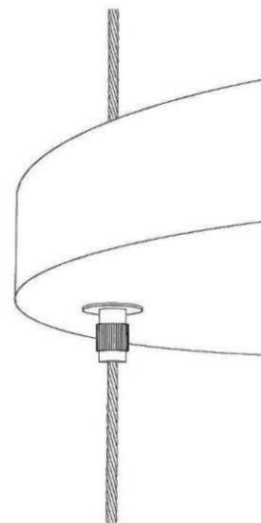
1. Unthread CABLE GRIPPER by turning it clockwise.



2. Press CABLE GRIPPER against the THREADED PART.
Slide either up or down the STEEL CABLE to lengthen or shorten height of the fixture.



3. Secure STEEL CABLE into place by turning the CABLE GRIPPER counterclockwise.



4. Assembly complete.

parts enclosed:

- A. Mounting screw (2)
- B. Wire connector (2)

important safety instructions:

1. Professional installation recommended.
2. To avoid the risk of fire, do not exceed the recommended wattage for this fixture.

UL NO: E340057, UL RATING: DRY, MAX BULB WATTAGE: 60 W
 CONVERSION TO MAX LED WATTAGE: 6-8 W
 BULB: 4 X A-19 (NOT INCLUDED)

warnings:

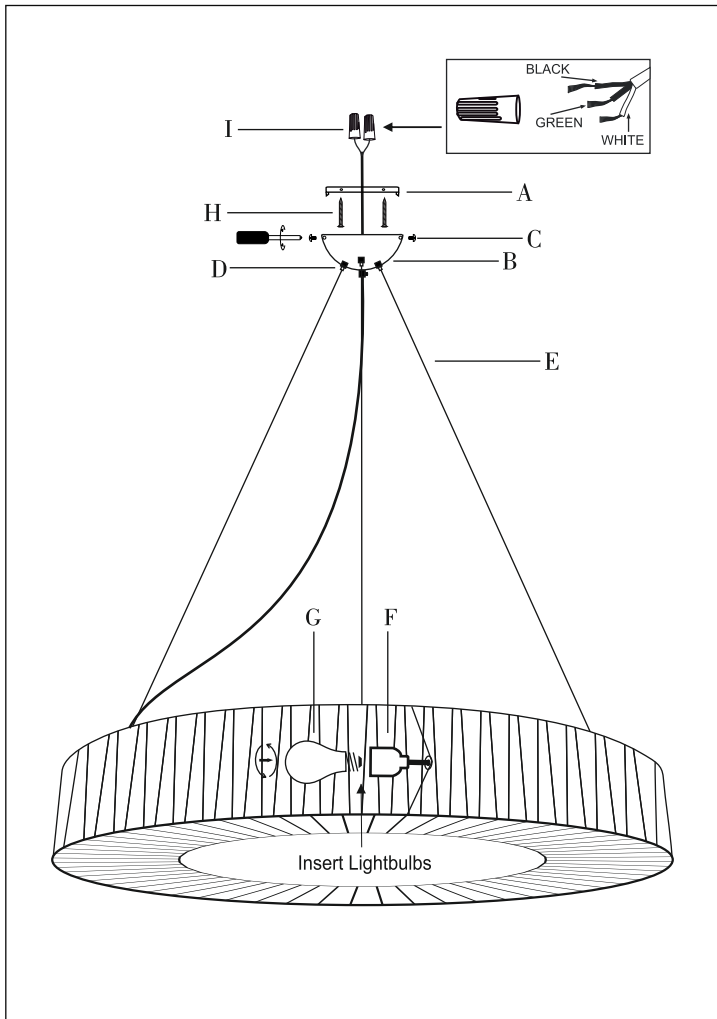
1. Do not remove the lamp from its packaging by pulling on the power cord, as a bad connection may result.
2. To avoid the risk of fire, electrical shock, or personal injury, turn off lamp and allow it to cool prior to replacing light bulb.
3. Do not touch bulb when fixture is turned on or look directly at lit bulb.
4. Keep flammable materials away from lit bulb.

to assemble:

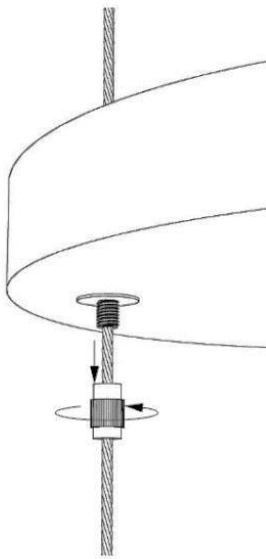
1. Carefully remove all parts from the box and remove all protective coverings.
2. Turn OFF power to the junction box where the lamp will be installed.
3. Measure desired drop of fixture from ceiling, and adjust the length of clutch wire (E) by loosen up the gripper (D), if desired.
4. Attach cross bar (A) to ceiling outlet box using mounting screws (H).
5. Pull wire from ceiling box and attach ground wire (usually green or bare wire) on cross bar (A) with a screw.
6. Attach hot wire from ceiling box (usually black) to hot wire on fixture with a plastic wire connector (I) and wrap this connection with an electrical tape.
7. Attach neutral wire from ceiling box (usually white) to neutral wire on fixture with a plastic wire connector (I) and wrap this connection with an electrical tape.
8. Slide canopy (B) up and hold flush against cross bar (A) then screw the side screw (C) to the corresponding holes of cross bar (A) to hang the fixture.
9. Insert the bulb (G) into socket (F) as shown in picture. Repeat for all 4 bulbs.
10. Restore power to the junction box and test lamp fixture.

care instructions:

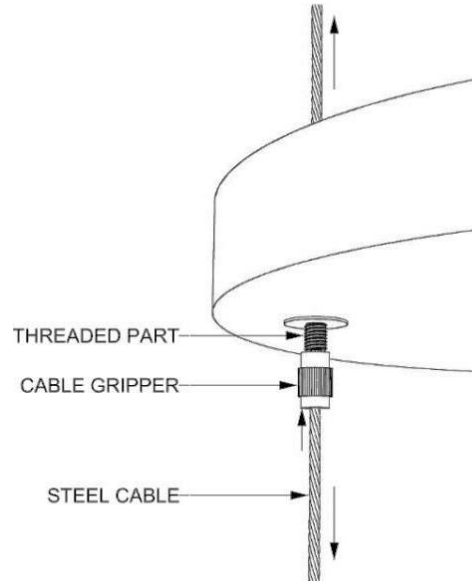
Do not use polishes or cleaners on your lamp. Just wipe with soft, lint free cloth.



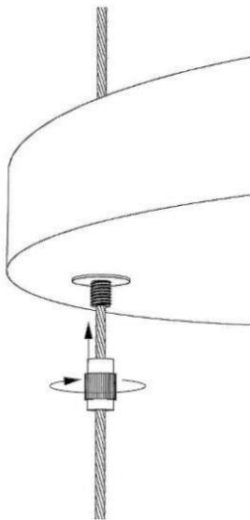
HOW TO ADJUST LENGTH OF STEEL CABLE:



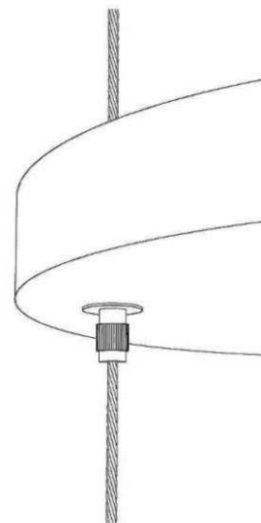
1. Unthread CABLE GRIPPER by turning it clockwise.



2. Press CABLE GRIPPER against the THREADED PART.
Slide either up or down the STEEL CABLE to lengthen or shorten height of the fixture.



3. Secure STEEL CABLE into place by turning the CABLE GRIPPER counterclockwise.



4. Assembly complete.

parts enclosed:

- A. Mounting screw (2)
- B. Wire connector (2)

important safety instructions:

1. Professional installation recommended.
2. To avoid the risk of fire, do not exceed the recommended wattage for this fixture.

UL NO: E340057, UL RATING: DRY, MAX BULB WATTAGE: 40 W
 CONVERSION TO MAX LED WATTAGE: 4-5 W
 BULB: 6 X A-19 (NOT INCLUDED)

warnings:

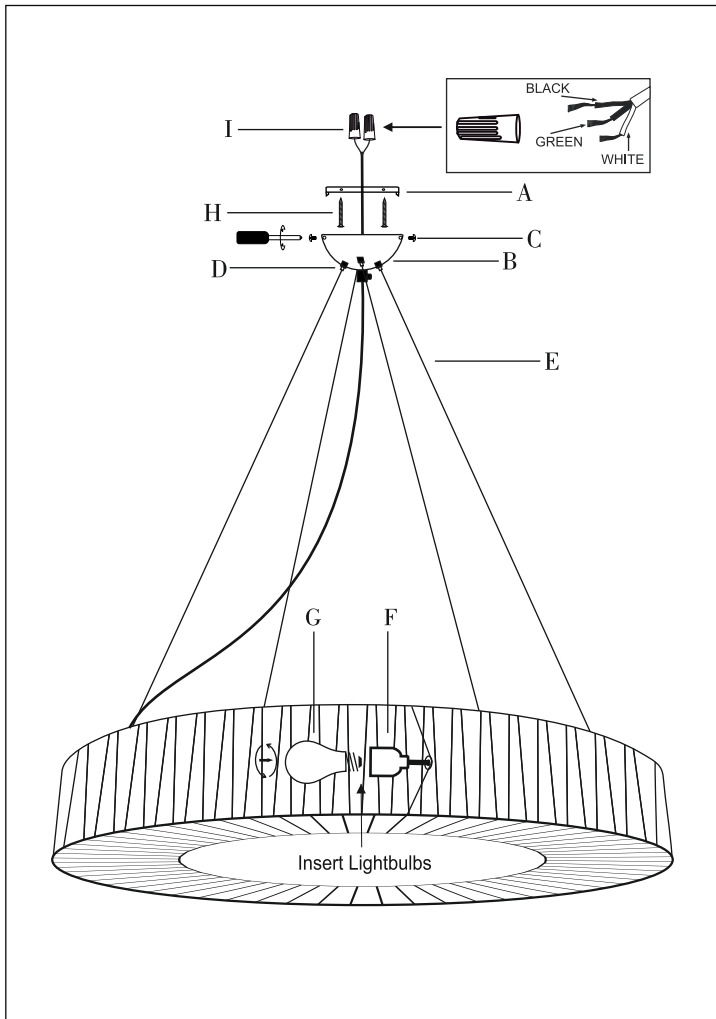
1. Do not remove the lamp from its packaging by pulling on the power cord, as a bad connection may result.
2. To avoid the risk of fire, electrical shock, or personal injury, turn off lamp and allow it to cool prior to replacing light bulb.
3. Do not touch bulb when fixture is turned on or look directly at lit bulb.
4. Keep flammable materials away from lit bulb.

to assemble:

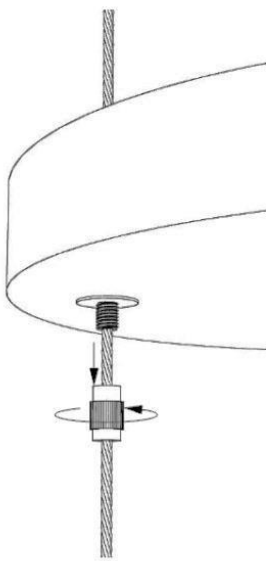
1. Carefully remove all parts from the box and remove all protective coverings.
2. Turn OFF power to the junction box where the lamp will be installed.
3. Measure desired drop of fixture from ceiling, and adjust the length of clutch wire (E) by loosen up the gripper (D), if desired.
4. Attach cross bar (A) to ceiling outlet box using mounting screws (H).
5. Pull wire from ceiling box and attach ground wire (usually green or bare wire) on cross bar (A) with a screw.
6. Attach hot wire from ceiling box (usually black) to hot wire on fixture with a plastic wire connector (I) and wrap this connection with an electrical tape.
7. Attach neutral wire from ceiling box (usually white) to neutral wire on fixture with a plastic wire connector (I) and wrap this connection with an electrical tape.
8. Slide canopy (B) up and hold flush against cross bar (A) then screw the side screw (C) to the corresponding holes of cross bar (A) to hang the fixture.
9. Insert the bulb (G) into socket (F) as shown in picture. Repeat for all 6 bulbs.
10. Restore power to the junction box and test lamp fixture.

care instructions:

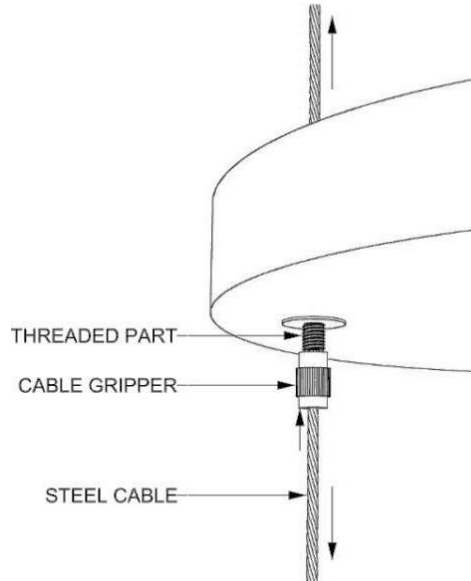
Do not use polishes or cleaners on your lamp. Just wipe with soft, lint free cloth.



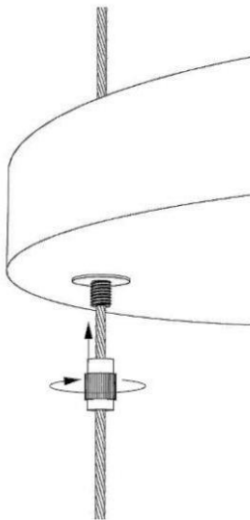
HOW TO ADJUST LENGTH OF STEEL CABLE:



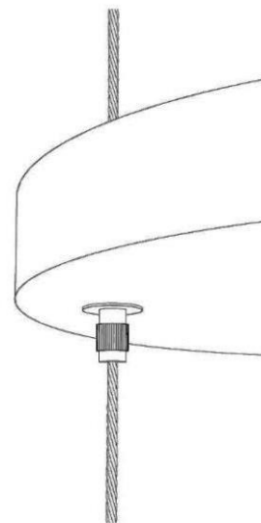
1. Unthread CABLE GRIPPER by turning it clockwise.



2. Press CABLE GRIPPER against the THREADED PART.
Slide either up or down the STEEL CABLE to lengthen or shorten height of the fixture.



3. Secure STEEL CABLE into place by turning the CABLE GRIPPER counterclockwise.



4. Assembly complete.

662082H334

JEUNET 49" RECTANGULAR CHANDELIER

parts enclosed:

- A. Mounting screw (4)
- B. Wire connector (2)
- C. Anchors (6)
- D. Screw (6)

important safety instructions:

1. Professional installation recommended.
2. To avoid the risk of fire, do not exceed the recommended wattage for this fixture.

UL NO: E340057, UL RATING: DRY, MAX BULB WATTAGE: 40 W
 CONVERSION TO MAX LED WATTAGE: 4-5 W
 BULB: 6 X B-10 (NOT INCLUDED)

warnings:

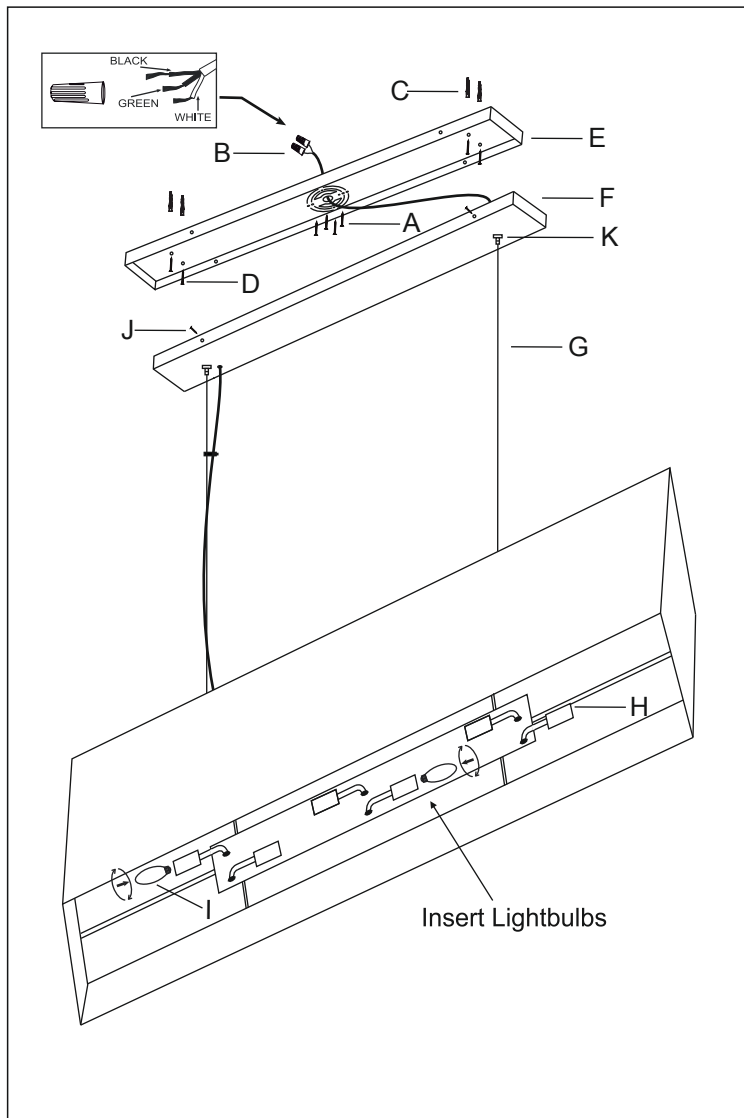
1. Do not remove the lamp from its packaging by pulling on the power cord, as a bad connection may result.
2. To avoid the risk of fire, electrical shock, or personal injury, turn off lamp and allow it to cool prior to replacing light bulb.
3. Do not touch bulb when fixture is turned on or look directly at lit bulb.
4. Keep flammable materials away from lit bulb.

to assemble:

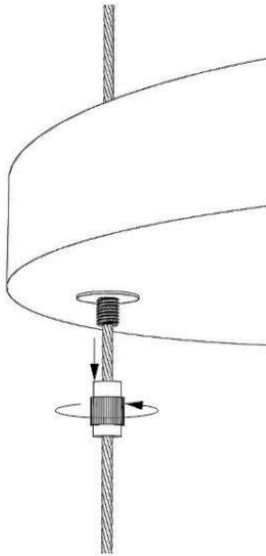
1. Carefully remove all parts from the box and remove all protective coverings.
2. Turn OFF power to the junction box where the lamp will be installed.
3. Measure desired drop of fixture from ceiling, and adjust the length of clutch wire (G) by loosen up the gripper (K), if desired.
4. Drill holes on the ceiling corresponding with holes in ceiling plate (E) then knock the anchors (C) into the holes. Attach the ceiling plate (E) to the ceiling with screws (D) and mounting screws (A). Note: Anchors are used for concrete ceiling, for wooden ceiling only screws can be used.
5. Pull wire from ceiling box and attach ground wire (usually green or bare wire) on ceiling plate (E) with a screw.
6. Attach hot wire from ceiling box (usually black) to hot wire on fixture with a plastic wire connector (B) and wrap this connection with an electrical tape.
7. Attach neutral wire from ceiling box (usually white) to neutral wire on fixture with a plastic wire connector (B) and wrap this connection with an electrical tape.
8. Attach the canopy (F) with ceiling plate (E) and tighten the round screws (J).
9. Insert the bulb (I) into socket (H) as shown in picture. Repeat for all 6 bulbs.
10. Restore power to the junction box and test lamp fixture.

care instructions:

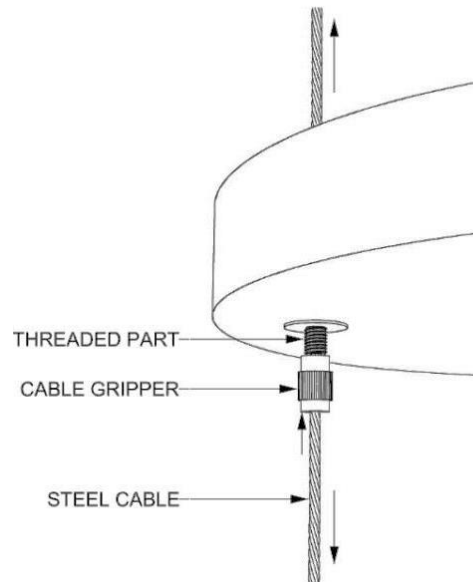
Do not use polishes or cleaners on your lamp. Just wipe with soft, lint free cloth.



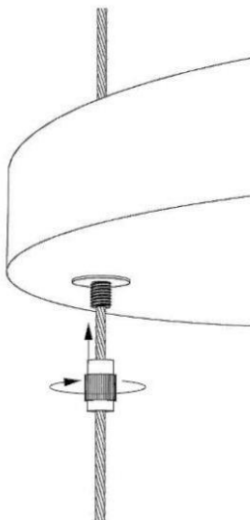
HOW TO ADJUST LENGTH OF STEEL CABLE:



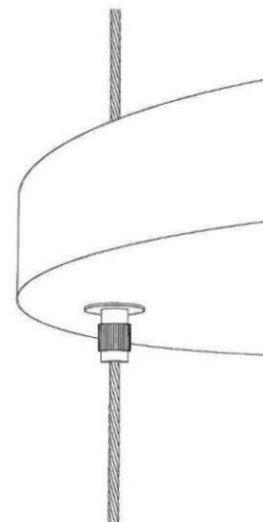
1. Unthread CABLE GRIPPER by turning it clockwise.



2. Press CABLE GRIPPER against the THREADED PART.
Slide either up or down the STEEL CABLE to lengthen or shorten height of the fixture.



3. Secure STEEL CABLE into place by turning the CABLE GRIPPER counterclockwise.



4. Assembly complete.

662082H335

JEUNET 60" RECTANGULAR CHANDELIER

parts enclosed:

- A. Mounting screw (4)
- B. Wire connector (2)
- C. Anchors (6)
- D. Screw (6)

important safety instructions:

1. Professional installation recommended.
2. To avoid the risk of fire, do not exceed the recommended wattage for this fixture.

UL NO: E340057, UL RATING: DRY, MAX BULB WATTAGE: 40 W
 CONVERSION TO MAX LED WATTAGE: 4-5 W
 BULB: 8 X B-10 (NOT INCLUDED)

warnings:

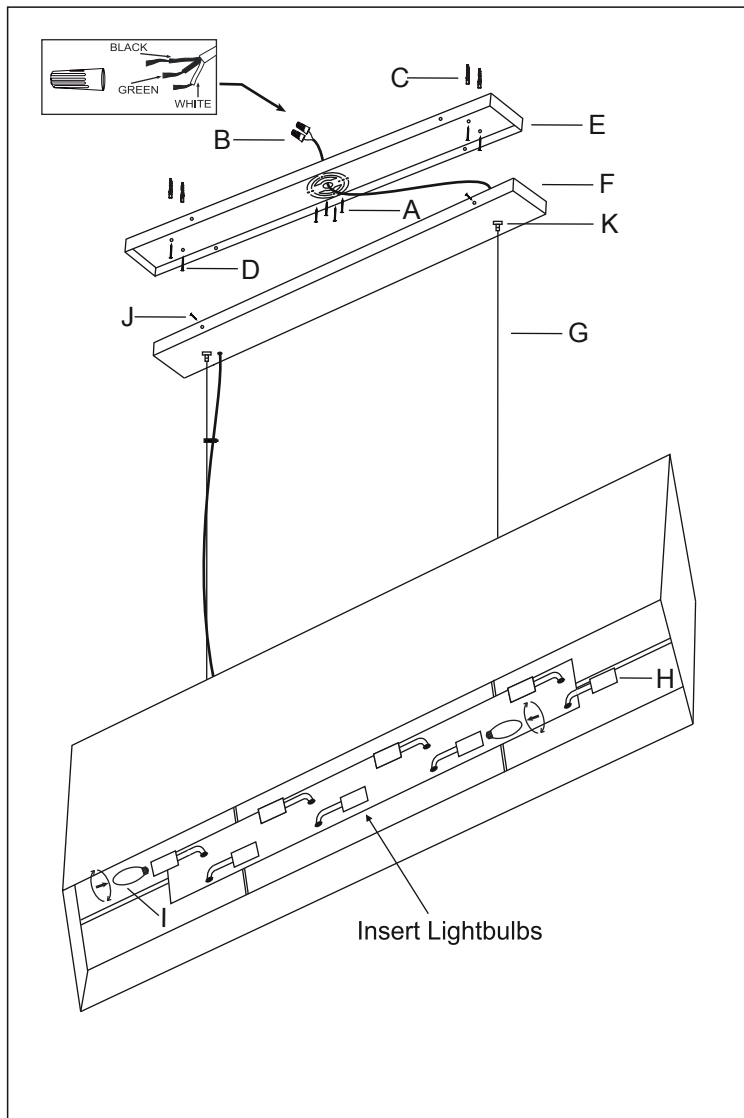
1. Do not remove the lamp from its packaging by pulling on the power cord, as a bad connection may result.
2. To avoid the risk of fire, electrical shock, or personal injury, turn off lamp and allow it to cool prior to replacing light bulb.
3. Do not touch bulb when fixture is turned on or look directly at lit bulb.
4. Keep flammable materials away from lit bulb.

to assemble:

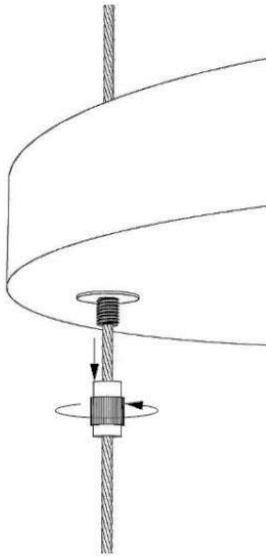
1. Carefully remove all parts from the box and remove all protective coverings.
2. Turn OFF power to the junction box where the lamp will be installed.
3. Measure desired drop of fixture from ceiling, and adjust the length of clutch wire (G) by loosen up the gripper (K), if desired.
4. Drill holes on the ceiling corresponding with holes in ceiling plate (E) then knock the anchors (C) into the holes. Attach the ceiling plate (E) to the ceiling with screws (D) and mounting screws (A). Note: Anchors are used for concrete ceiling, for wooden ceiling only screws can be used.
5. Pull wire from ceiling box and attach ground wire (usually green or bare wire) on ceiling plate (E) with a screw.
6. Attach hot wire from ceiling box (usually black) to hot wire on fixture with a plastic wire connector (B) and wrap this connection with an electrical tape.
7. Attach neutral wire from ceiling box (usually white) to neutral wire on fixture with a plastic wire connector (B) and wrap this connection with an electrical tape.
8. Attach the canopy (F) with ceiling plate (E) and tighten the round screws (J).
9. Insert the bulb (I) into socket (H) as shown in picture. Repeat for all 8 bulbs.
10. Restore power to the junction box and test lamp fixture.

care instructions:

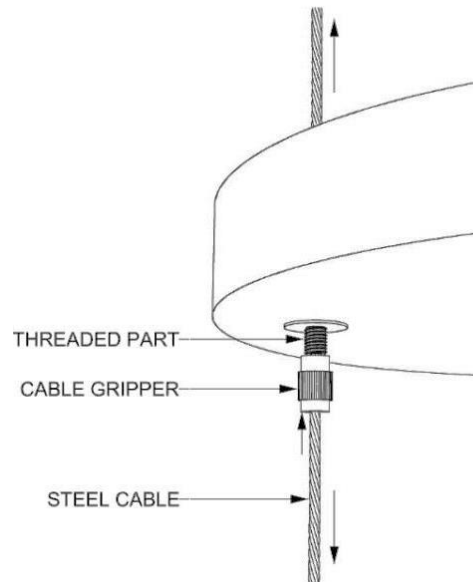
Do not use polishes or cleaners on your lamp. Just wipe with soft, lint free cloth.



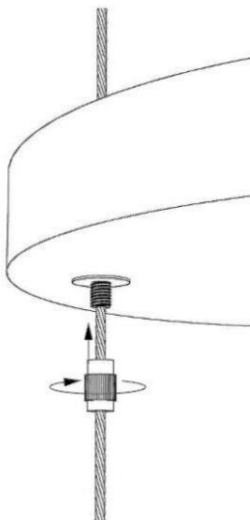
HOW TO ADJUST LENGTH OF STEEL CABLE:



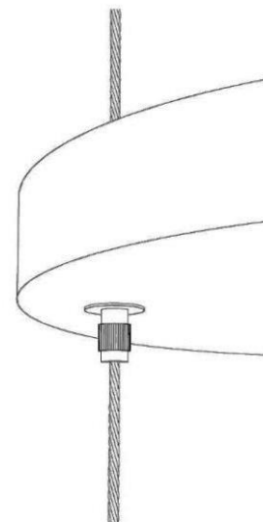
1. Unthread CABLE GRIPPER by turning it clockwise.



2. Press CABLE GRIPPER against the THREADED PART.
Slide either up or down the STEEL CABLE to lengthen or shorten height of the fixture.



3. Secure STEEL CABLE into place by turning the CABLE GRIPPER counterclockwise.



4. Assembly complete.

662082L337 JEUNET FLOOR LAMP

ARHAUS®
your home

parts enclosed:

A. Finial (1)

important safety instructions:

1. Professional installation recommended.
2. To avoid the risk of fire, do not exceed the recommended wattage for this fixture.

UL NO: E340057, UL RATING: DRY, MAX BULB WATTAGE: 40 W
CONVERSION TO MAX LED WATTAGE: 4-5 W
BULB: 2 X A-19 (NOT INCLUDED)

warnings:

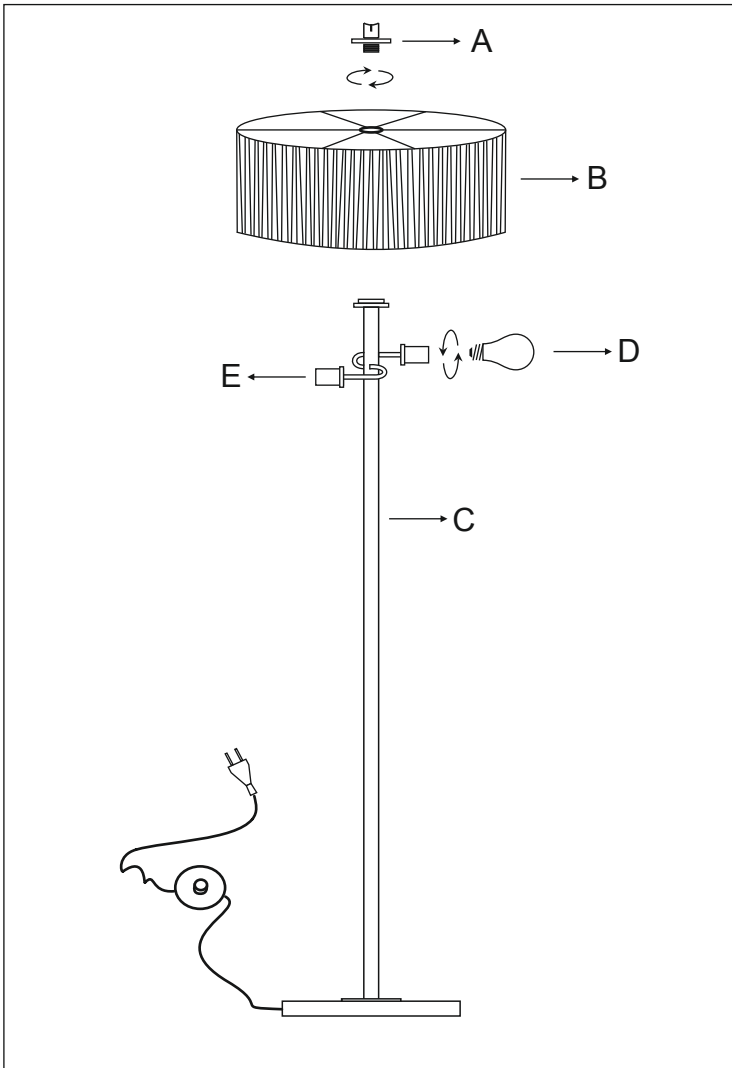
1. Do not remove the lamp from its packaging by pulling on the power cord, as a bad connection may result.
2. To avoid the risk of fire, electrical shock, or personal injury, turn off lamp and allow it to cool prior to replacing light bulb.
3. Do not touch bulb when fixture is turned on or look directly at lit bulb.
4. Keep flammable materials away from lit bulb.

to assemble:

1. Carefully remove all parts from the box and remove all protective coverings.
2. Turn OFF power to the junction box where the lamp will be installed.
3. Install shade (B) onto the stand (C), and screw the finial (A).
4. Insert the bulb (D) into socket (E) as shown in picture. Repeat for all 2 bulbs.
5. Restore power to the junction box and test lamp fixture.

care instructions:

Do not use polishes or cleaners on your lamp. Just wipe with soft, lint free cloth.



662082L336 JEUNET TABLE LAMP

ARHAUS®
your home

parts enclosed:

A. Finial (1)

important safety instructions:

1. Professional installation recommended.
2. To avoid the risk of fire, do not exceed the recommended wattage for this fixture.

UL NO: E340057, UL RATING: DRY, MAX BULB WATTAGE: 40 W
CONVERSION TO MAX LED WATTAGE: 4-5 W
BULB: 2 X B-10 (NOT INCLUDED)

warnings:

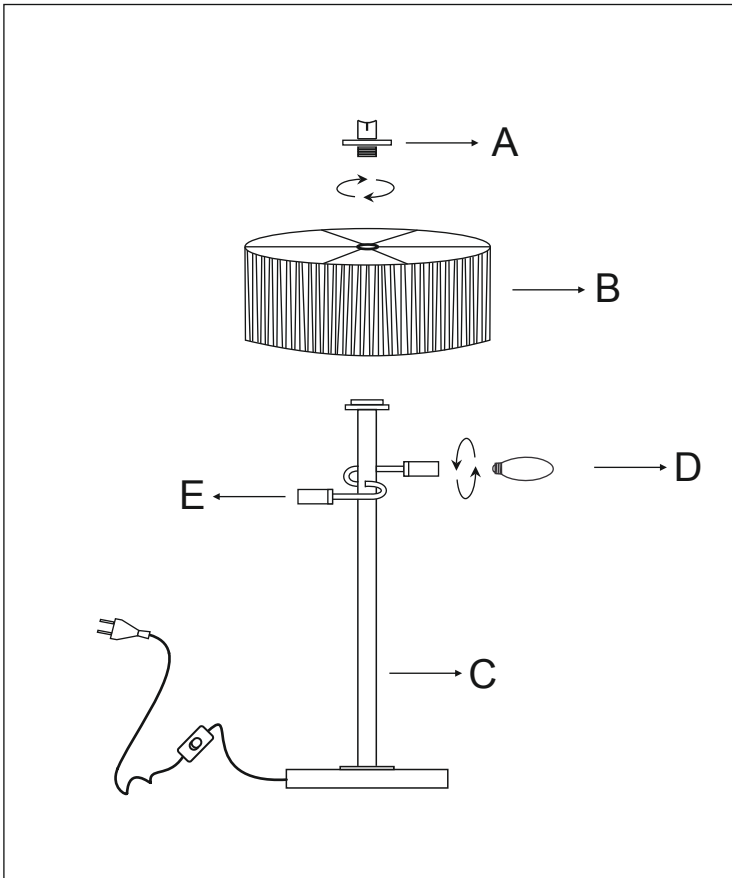
1. Do not remove the lamp from its packaging by pulling on the power cord, as a bad connection may result.
2. To avoid the risk of fire, electrical shock, or personal injury, turn off lamp and allow it to cool prior to replacing light bulb.
3. Do not touch bulb when fixture is turned on or look directly at lit bulb.
4. Keep flammable materials away from lit bulb.

to assemble:

1. Carefully remove all parts from the box and remove all protective coverings.
2. Turn OFF power to the junction box where the lamp will be installed.
3. Install shade (B) onto the stand (C), and screw the finial (A).
4. Insert the bulb (D) into socket (E) as shown in picture. Repeat for all 2 bulbs.
5. Restore power to the junction box and test lamp fixture.

care instructions:

Do not use polishes or cleaners on your lamp. Just wipe with soft, lint free cloth.



662082H330 JEUNET WALL SCONCE

ARHAUS®
your home

parts enclosed:

- A. Mounting screw (2)
- B. Wire connector (2)
- C. Anchors (2)

important safety instructions:

1. Professional installation recommended.
2. To avoid the risk of fire, do not exceed the recommended wattage for this fixture.

UL NO: E340057, UL RATING: DRY, MAX BULB WATTAGE: 60 W
CONVERSION TO MAX LED WATTAGE: 6-8 W
BULB: A-19 (NOT INCLUDED)

warnings:

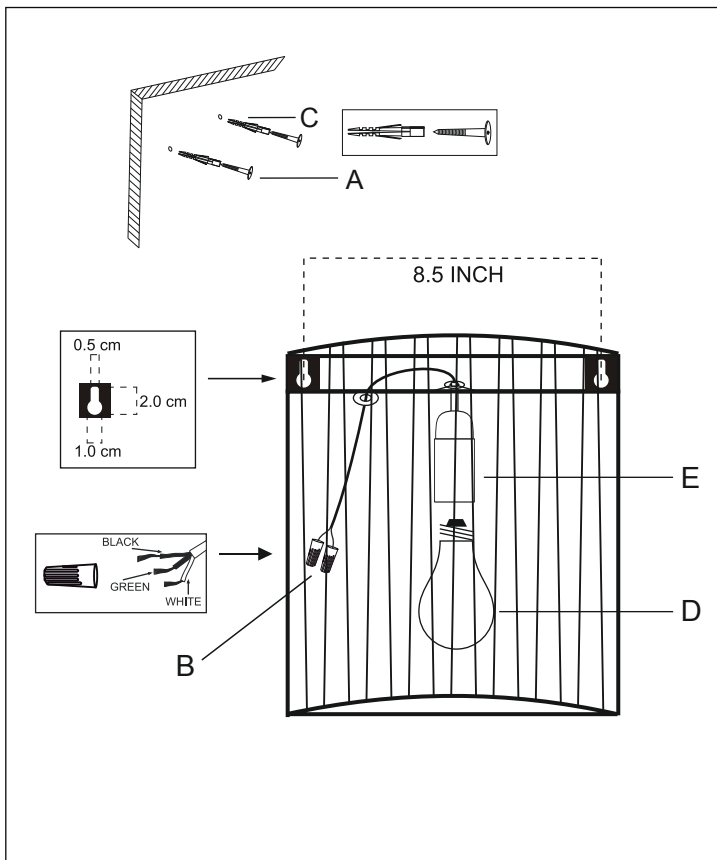
1. Do not remove the lamp from its packaging by pulling on the power cord, as a bad connection may result.
2. To avoid the risk of fire, electrical shock, or personal injury, turn off lamp and allow it to cool prior to replacing light bulb.
3. Do not touch bulb when fixture is turned on or look directly at lit bulb.
4. Keep flammable materials away from lit bulb.

to assemble:

1. Carefully remove all parts from the box and remove all protective coverings.
2. Turn OFF power to the junction box where the lamp will be installed.
3. Drill two holes on the wall corresponding to the key hole of lamp then knock the anchors (C) into the holes and fix mounting screws (A). Note: Anchors are used for concrete wall, for wooden wall only screws can be used.
4. Pull wire from wall outlet box and attach ground wire (usually green or bare wire) to the ground wire of fixture.
5. Attach hot wire from wall box (usually black) to hot wire of fixture with a plastic wire connector (B) and wrap this connection with an electrical tape.
6. Attach neutral wire from wall outlet box (usually white) to neutral wire of fixture with a plastic wire connector (B) and wrap this connection with an electrical tape.
7. Insert the bulb (D) into socket (E) as shown in picture. Repeat for all 2 bulbs.
8. Restore power to the junction box and test lamp fixture.

care instructions:

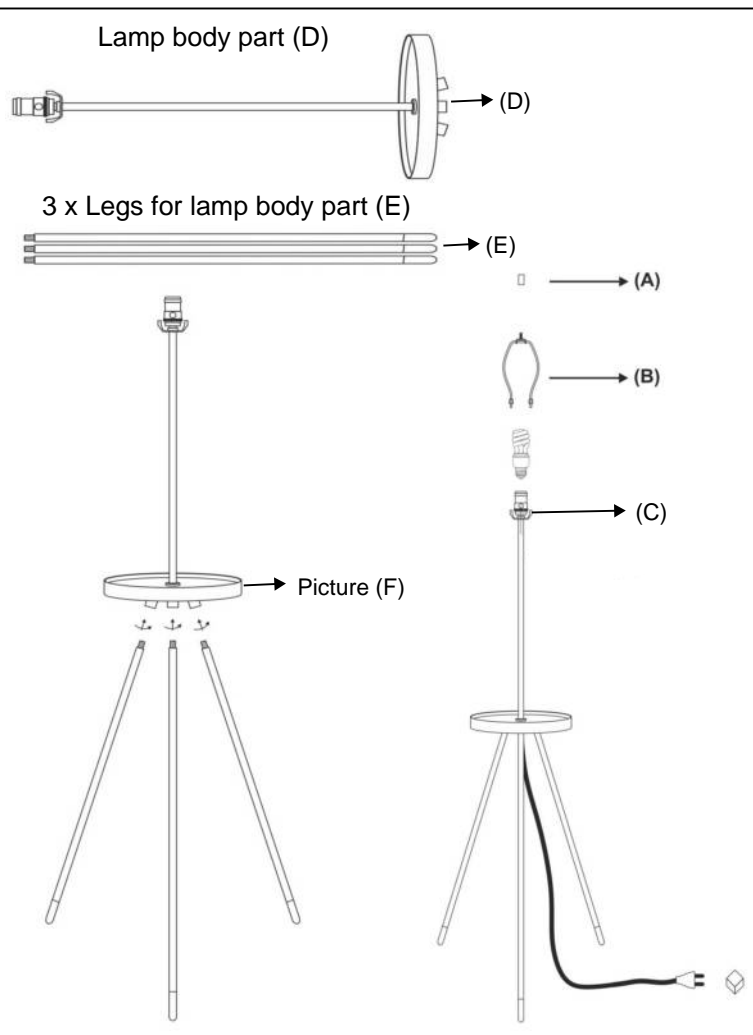
Do not use polishes or cleaners on your lamp. Just wipe with soft, lint free cloth.



JOLEEN BLACK FLOOR LAMP

parts enclosed:

- A. Finial (1)
- B. Harp (1)
- D. Lamp body (1)
- E. Legs (3)

**important safety instructions:**

1. To avoid the risk of fire, do not exceed the recommended wattage for this fixture.

UL NO: E310644, UL RATING: DRY, MAX BULB WATTAGE: 60 W
 CONVERSION TO MAX LED WATTAGE: 12 W
 BULB: 1 X A-19 (NOT INCLUDED)

warnings:

1. Do not remove the lamp from its packaging by pulling on the power cord, as a bad connection may result.
2. To avoid the risk of fire, electrical shock, or personal injury, turn off lamp and allow it to cool prior to replacing light bulb.
3. Do not touch bulb when fixture is turned on or look directly at lit bulb.
4. Keep flammable materials away from lit bulb.

to assemble:

1. Carefully remove all parts from the box and remove all protective coverings.
2. Install legs (E) to the lamp body (D) following picture (F).
3. Turn OFF power to the circuit breaker where the lamp will be installed.
4. Attach harp (B) to the saddle (C).
5. Unscrew finial (A) place shade on harp (B) and tighten finial (A) to harp (B).
6. Restore power to the circuit breaker and test lamp fixture.

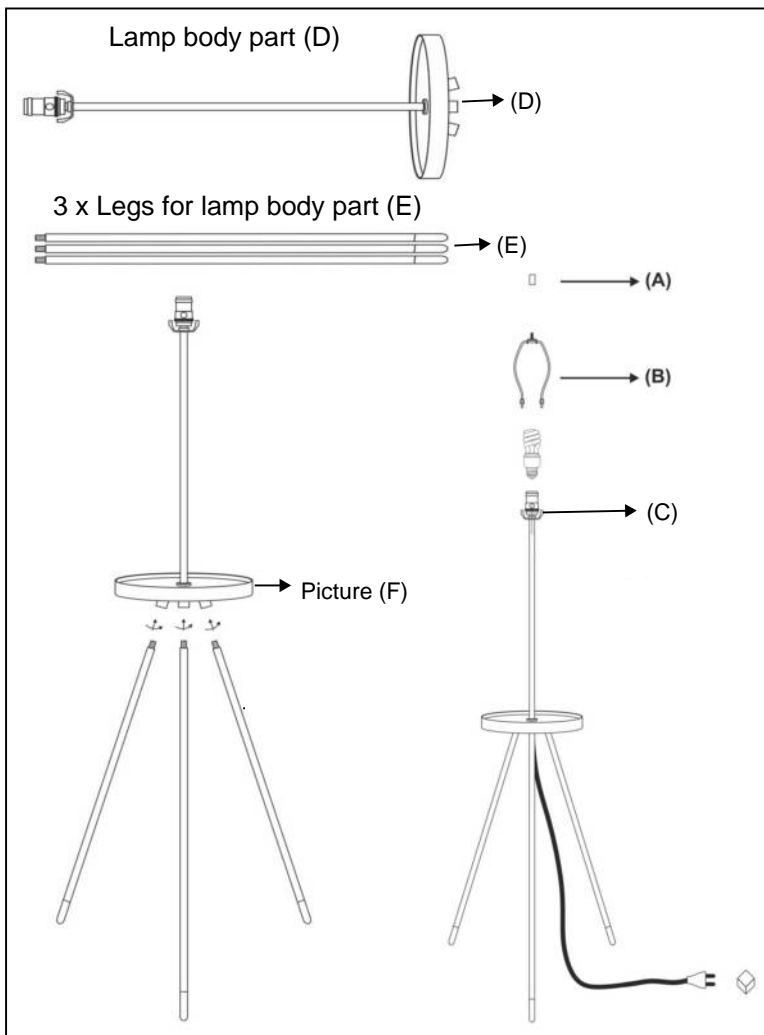
care instructions:

Do not use polishes or cleaners on your lamp. Just wipe with soft, lint free cloth.

JOLEEN BRASS FLOOR LAMP

parts enclosed:

- A. Finial (1)
- B. Harp (1)
- D. Lamp body (1)
- E. Legs (3)

**important safety instructions:**

1. To avoid the risk of fire, do not exceed the recommended wattage for this fixture.

UL NO: E310644, UL RATING: DRY, MAX BULB WATTAGE: 60 W
 CONVERSION TO MAX LED WATTAGE: 12 W
 BULB: 1 X A-19 (NOT INCLUDED)

warnings:

1. Do not remove the lamp from its packaging by pulling on the power cord, as a bad connection may result.
2. To avoid the risk of fire, electrical shock, or personal injury, turn off lamp and allow it to cool prior to replacing light bulb.
3. Do not touch bulb when fixture is turned on or look directly at lit bulb.
4. Keep flammable materials away from lit bulb.

to assemble:

1. Carefully remove all parts from the box and remove all protective coverings.
2. Install legs (E) to the lamp body (D) following picture (F).
3. Turn OFF power to the circuit breaker where the lamp will be installed.
4. Attach harp (B) to the saddle (C).
5. Unscrew finial (A) place shade on harp (B) and tighten finial (A) to harp (B).
6. Restore power to the circuit breaker and test lamp fixture.

care instructions:

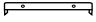






Do not use polishes or cleaners on your lamp. Just wipe with soft, lint free cloth.

JULIETTE RING CHANDELIER

ASSEMBLY INSTRUCTIONS

ARHAUS®
your home

PARTS ENCLOSED:

ITEM	DIAGRAM	DESCRIPTION	QTY.
(A)		Cross Bar	1
(B)		Canopy	1
(C)		Cord Grip	1
(D)		Clutch Grip	1
(E)		Clutch Wire	1
(F)		Socket	8
(G)		Bulb (Not Included)	8

Important safety instructions:



1. We recommend installation by a licensed electrician.
2. To avoid the risk of fire, do not exceed the recommended wattage for this light fixture.

This fixture has been rated for up to (8) 40 watt maximum type A bulb. To avoid the risk of fire, do not exceed the recommended wattage.

Warnings:

1. Do not remove the lamp from its packaging by pulling on the power cord, as a bad connection may result.
2. To avoid the risk of fire, electrical shock, or personnel injury, turn off lamp and allow it to cool prior to replacing light bulb(s).
3. Do not touch bulb when fixture is turned on or look directly at lit bulb.

HARDWARE INCLUDED:

ITEM	DIAGRAM	DESCRIPTION	QTY.
(H)		Mounting Screw	2
(I)		Wire Connector	2

To assemble:

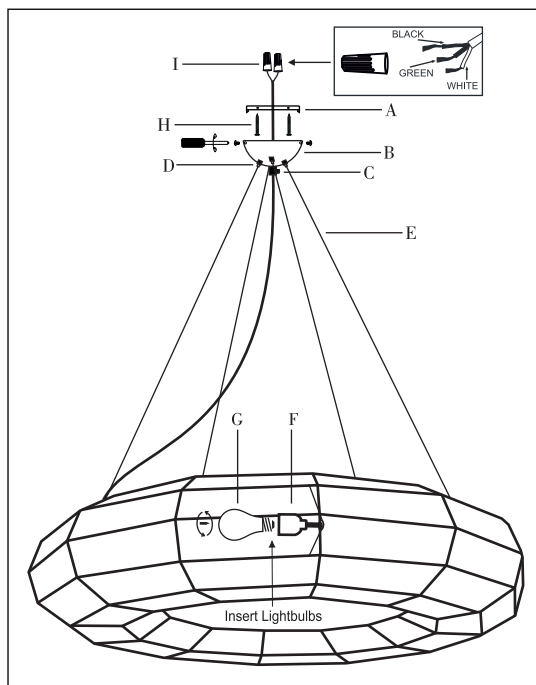
1. Carefully remove all parts from the box and remove all protective coverings.
2. Turn OFF power to the junction box where the lamp will be installed.
3. Measure desired drop of fixture from ceiling, and adjust the length of clutch wire (E) by loosening up and press the clutch grip (D), as well as the length of cord by loosening the cord grip (C) screw, if desired.
4. Attach cross bar (A) to ceiling outlet box using mounting screws (H).
5. Pull wire from ceiling outlet box, and attach ground wire (usually green or bare wire) from ceiling box to ground wire on cross bar (A) with a screw.
6. Attach hot wire from ceiling (usually black) to hot wire on fixture with a plastic wire connector (I) and wrap this connection with electrical tape.
7. Attach neutral wire from ceiling box (usually white) with neutral wire on fixture with a plastic wire connector (I), and wrap this connection with electrical tape.
8. Slide canopy (B) up and hold flush against cross bar (A) then screw the side screw to the corresponding holes of cross bar (A) to hang the fixture.
9. Insert (8) 40-watt max type A bulb (G) (not included) as shown in picture, into the socket (F).
10. Restore power to the junction box and test lamp fixture.

Installation is complete.

Care instructions:

Do not use polishes or cleaners on your lamp.

WIPE WITH A CLEAN SOFT CLOTH

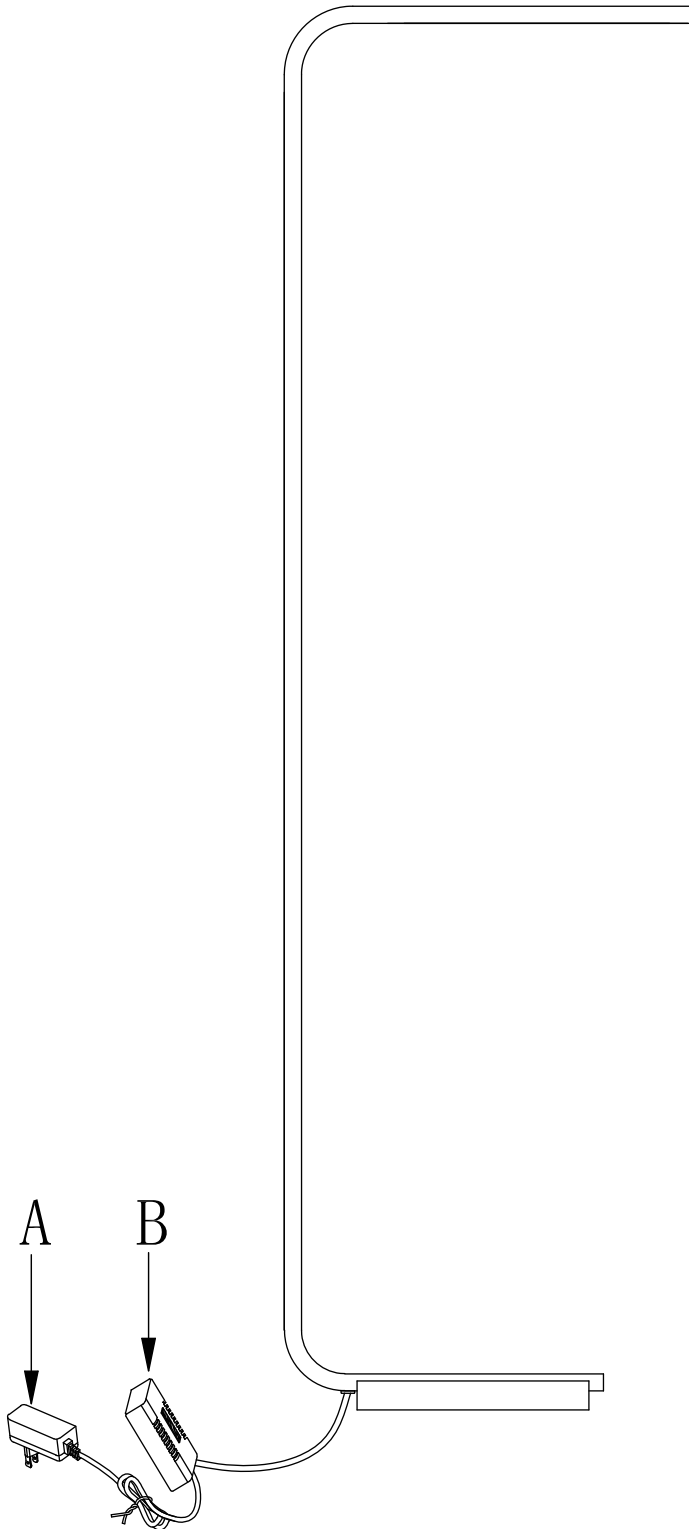


PARTS INVENTORY

Super Category	Product ID	Description	Stat	Collection	Route
LIGHTING	912082H115CN	JULIETTE CHANDELIER CANOPY NICKEL CANOPY WITH HARDWARE	A	PT-JULIETT	PART
LIGHTING	912082H115W	JULIETTE CHANDELIER WIRE S/4 NICKEL CLUTCH WIRE/ SET OF 4	A	PT-JULIETT	PART

parts enclosed:

Fully assembled lamp (1)



important safety instructions:

1. Do not break or pull out LED panel.
2. Do not use outdoors or near water.
3. Do not handle the transformer or lamp with wet hands.
4. Do not look directly at the LEDs.

warnings:

All wires are connected. When unpacking, be careful not to pull wires, as a bad connection may result.

STRANGULATION HAZARD. Keep cord at least 3 feet away from cribs, bassinets and toddler beds. Keep out of reach of children under 3.

Integrated SMD LED (ETL NO. 104411401NYM-001).

to assemble:

1. Insert plug (A) into proper electrical outlet and turn on with dimmer switch (B).
2. Assembly is complete.

care instructions:

Wipe with a clean, dry cloth. Do not use polishes or cleaners on your lamp.

parts enclosed:

Fully assembled lamp (1)

important safety instructions:

1. Do not break or pull out LED panel.
2. Do not use outdoors or near water.
3. Do not handle the transformer or lamp with wet hands.
4. Do not look directly at the LEDs.

warnings:

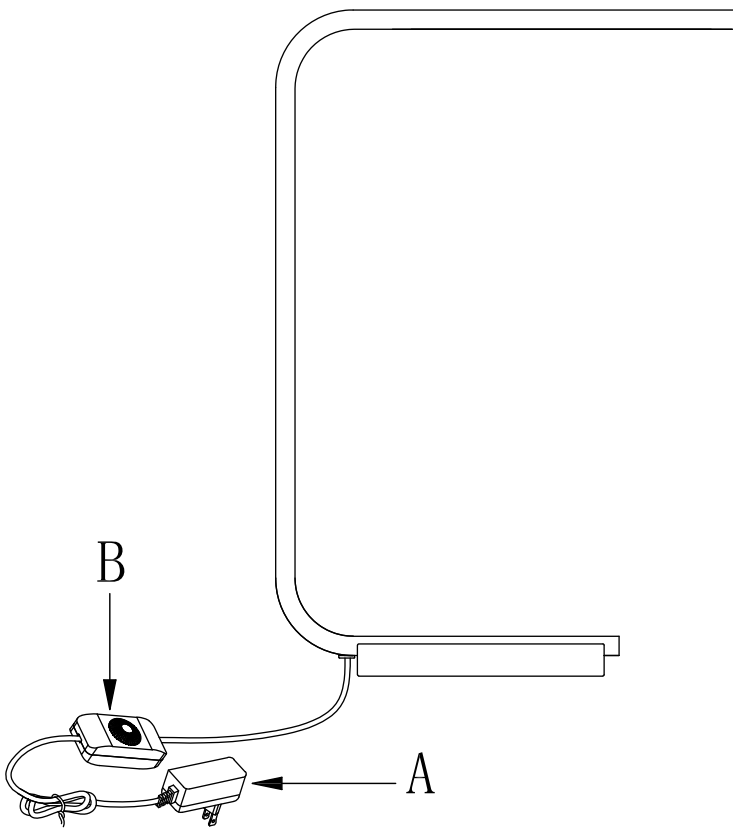
All wires are connected. When unpacking, be careful not to pull wires, as a bad connection may result.

STRANGULATION HAZARD. Keep cord at least 3 feet away from cribs, bassinets and toddler beds. Keep out of reach of children under 3.

Integrated SMD LED (ETL NO. 104411401NYM-001)

to assemble:

1. Insert plug (A) into proper electrical outlet and turn on with dimmer switch (B).
2. Assembly is complete.



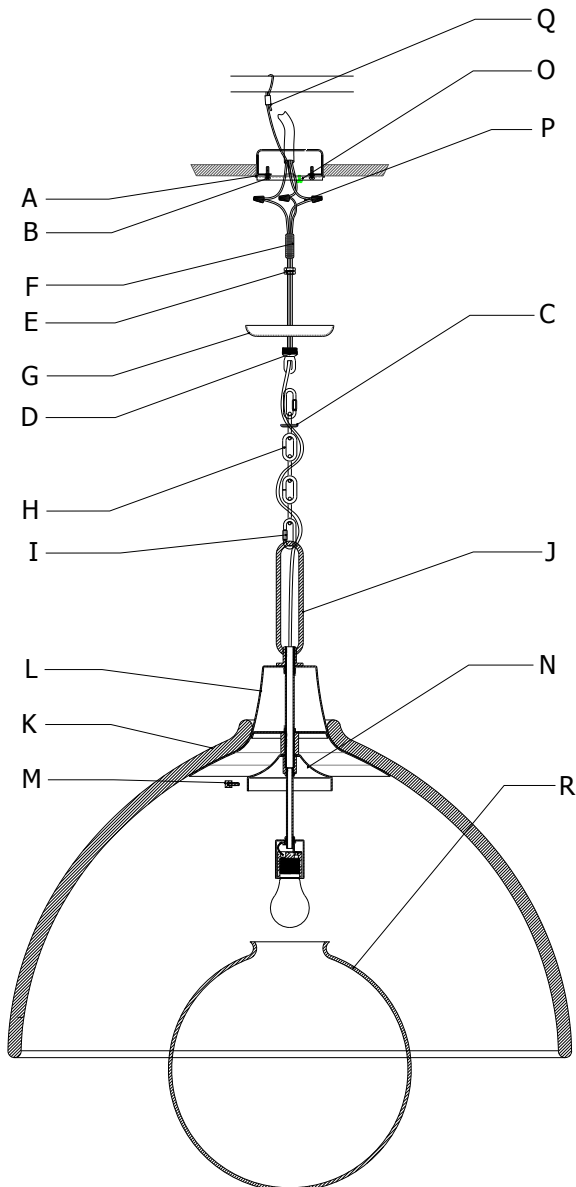
care instructions:

Wipe with a clean, dry cloth. Do not use polishes or cleaners on your lamp.

KATYA 1 LIGHT LARGE PENDANT

parts enclosed:

- | | |
|---------------------------|--------------------------------|
| (A) Mounting strap (1) | (P) Plastic wire connector (3) |
| (B) Mounting screws (2) | (Q) Safety cable (1) |
| (C) Threaded ring (1) | (R) Glass Diffuser (1) |
| (D) Screw collar loop (1) | |
| (E) Hex nuts (2) | |
| (F) Nipple (1) | |
| (G) Canopy (1) | |
| (H) Chain (1) | |
| (I) Quicklink Chain (2) | |
| (J) Fixture loop (1) | |
| (K) Rattan (1) | |
| (L) Fixture Assembly (1) | |
| (M) Thumbscrews (1) | |
| (N) Glass Fitter (1) | |
| (O) Green screw(1) | |



Important safety instructions:

1. We recommend installation by a licensed electrician.
2. To avoid the risk of fire, do not exceed the recommended wattage for this fixture.

Max watt - 1x75w , E 26 Type A - 1 Bulb

1. Do not remove the lamp from its packaging by pulling on the power cord, as a bad connection may result.
2. To avoid the risk of fire, electrical shock, or personal injury, turn off lamp and allow it to cool prior to replacing light bulb.
3. Do not touch bulb when fixture is turned on or look directly at lit bulb.
4. Keep flammable materials away from lit bulb.
5. Be sure to shut off power at the main fuse before installing the fixture.

To Assemble:

1. Carefully unpack all fixture parts and hardware. Lay items out on a clear workspace.
2. Place the mounting strap (A) over the outlet given mounting screws (B).
3. Remove the threaded ring (C) from the screw collar loop (D). Fully thread the screw collar loop (D) on to the nipple. Thread the hex nuts (E) on to the nipple (F) and the nipple (F) into the mounting strap (A). Place the canopy (G) over the screw collar (D) and against the ceiling. Adjust the nipple (F) so that 1/4" of threads on the screw collar loop (D). Secure the canopy (G) using the threaded ring (C).
4. Attach the chain (H) with quicklink chain (I) to the fixture loop (J). Determine the desired drop and remove the excess chain.
3. Insert and hang the rattan (K) to the fixture assembly (L).
5. Hang the fixture assembly (L) to the screw collar loop (D) on the canopy (G) using a quicklink chain (I).
7. Attached the safety cable to the structure or brace.
6. Unscrew threaded ring (C) from the screw collar loop (D). Slide down the threaded ring (C) and canopy (G) through the chain (H).
10. Measure 6" of lead and ground wire beyond the top of the chain. Cut off excess wire. Strip the insulation of the ends of the leads exposing approx. 1/2" of wire. Twist the strands together. Push the leads and ground wire up through the screw collar loop and into the outlet box.
11. Pull wire from the junction box and attach ground wire (usually green or bare) on the green screw (O) on the mounting strap (A).
12. Attached hot wire from junction box (usually black) to hot wire on the fixture with a plastic wire connector (P) and wrap this connection with electrical tape.
13. Attached hot wire from junction box (usually white) to hot wire on the fixture with a plastic wire connector (P) and wrap this connection with electrical tape. Slide the canopy (G) up the chain (H) and fasten using the threaded ring (C) to the ceiling.
14. Install the lamps (S).
12. Install the glass diffuser (R) to the fitter using the thumbscrews.(M)
15. Restore power to the circuit breaker or fuse box.

Care instructions:

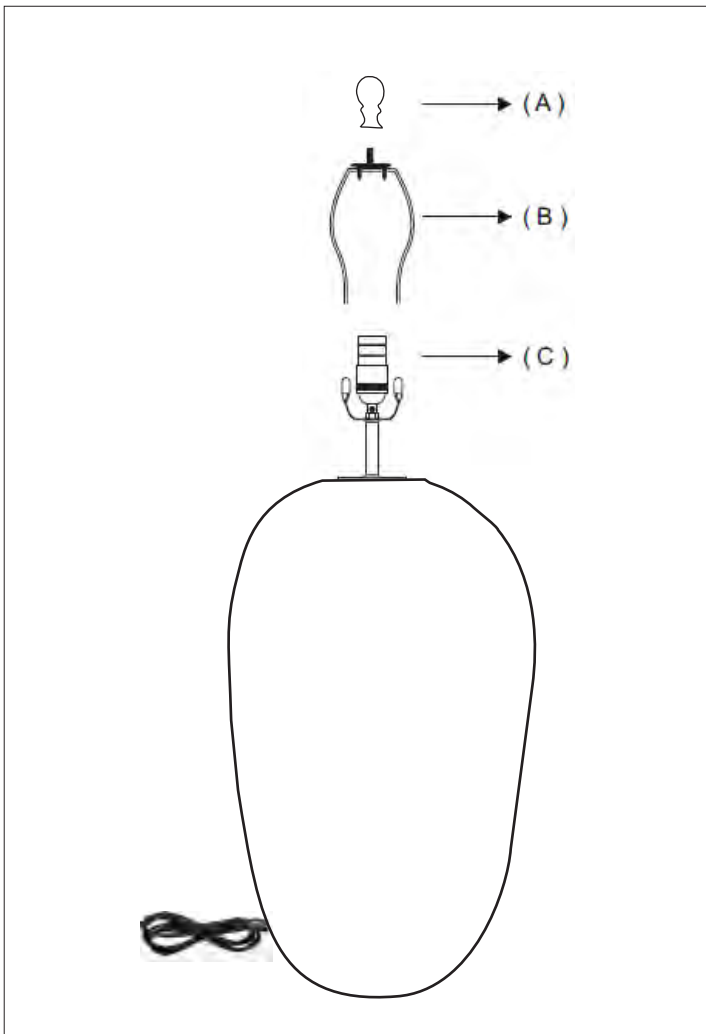
Dust with a soft dry cloth. To protect finish, avoid the use of chemicals and household cleaners.

KEAGAN=q^_ib=i^jm=_^pb

parts enclosed:

^K=cáâá~ä=ENF

_K=e~êé=ENF



important safety instructions::

NK=É=éÉÀçããÉàÇ=ááëí~ää~íaçá=Äó=~ääÁÉäëÉÇ=ÉäÉÁ
 OKçç=~íçáÇ=iÜÉ=éáëâ=çÑ=ÑáëÉI=Çç=âçí=ÉñÁÉÉÇ=iÜÉ=
 éÉÀçããÉàÇÉÇ=i~í~ÖÉ=Ñçê=iÜäë=ÑññiëÉK

ri =kiW=bPNRRMPI=ñ^qfkd=W=aol=
 j^u=_ri_t ^qq^dbW=SM=t
 `lksbopflk= ql=j^u=iba=t ^qq^dbW=NO=t==
 _ri_W=N=u^=J=Nv=Ek#fk`irabaF

Warnings:

NK=aç=âçí=éÉáçíÉ=iÜÉ=ä~äé=Ñêçã=áíë=é~Áä~ÖááÖ=Äó=éí
 iÜÉ=éçíÉé=ÀçêÇI=~ë=~Ä~Ç=ÀçããÉÁíáçá=ä~ó=éÉëíáíK
 OKçç=~íçáÇ=iÜÉ=éáëâ=çÑ=ÑáëÉI=ÉäÉÁíëá~ä~ëÜçÁáI=qè=e
 ñëâ=çÑ=ä~äé=~âÇ=~ääçí=áí=iç=Àççã=ééáçê=iç=éÉéä~ÁááÖ
 PK=aç=âçí=içíÄÜ=ÄíäÄ=iÜÉä=ÑññiëÉ=áë=ñëáÉÇ=çá=çê=äçç
 ~í=ääí=ÄíäÄK
 QK=hÉÉé=Ñä~ää~ÄäÉ=ä~íÉéá~äë~í~ó=Ñêçã=ääí=ÄíäÄK

To assemble:

NK=`~éÉÑíääó=éÉáçíÉ=~ää=é~éíë=Ñêçã=iÜÉ=Äçñ=~âÇ=
 =====éÉáçíÉ=~ää=ééçíÉÁíáíÉ=ÀçíÉéááÖëK
 OKçç=èá=ícc=éçíÉé=iç=iÜÉ=ÁáëÁíáí=ÄëÉ~áëé=iÜÉëÉ=
 =====iÜÉ=ä~äé=íáää=ÄÉ=ááëí~ääÉÇ
 PK#í~ÄÜ=e~éé=E_F=iç=iÜÉ=p~ÇçáÉ=E`FK
 QK=ráëÁëÉí=cáâá~ä=E^F=éä~ÁÉ=pÜ~ÇÉ=çá=e~éé=E_F=
 =====íáÖÜíÉä=cáâá~ä=E^F=iç=e~éé=E_FK
 RK=oÉëíçêÉ=éçíÉé=iç=iÜÉ=ÁáëÁíáí=ÄëÉ~áëé=~âÇ=iÉéí=
 =====ä~äé=ÑññiëÉK

Care instructions:

aç=âçí=iëÉ=éçááëÜÉé=çê=ÄäÉ~äÉëë=çá=óçíë=ä~äëK
 táéÉ=iáíÜ=éçÑíí=ääáí=ÑêÉÉ=ÄäçíÜK

LA CAGE 6 LTS CHANDELIER #65636H0365

ARHAUS®

your home

parts enclosed:

- (D) wire nuts (3)
- (E) cross bar set (1)
- (F) cross bar screws (2)
- (I) canopy (1)

important safety instructions:

1. We recommend installation by a licensed electrician.
2. To avoid the risk of fire, do not exceed the recommended wattage for this fixture.

wattage: 6 x 40W
type of socket: E12

warnings:

1. Do not remove the lamp from its packaging by pulling on the power cord, as a bad connection may result.
2. To avoid the risk of fire, electrical shock, or personal injury, turn off lamp and allow it to cool prior to replacing light bulb.
3. Do not touch bulb when fixture is turned on or look directly at lit bulb.
4. Keep flammable materials away from lit bulb.

to assemble:

- Attach cross bar (E) to the ceiling junction box using the cross bar screws (F).
- Unscrew the collar ring (J).
- Insert the collar loop (H) into the canopy (I).
- Screw the collar ring (J) back.
- Attach the chandelier chain (L) to the collar loop (H) with the quick link (K).

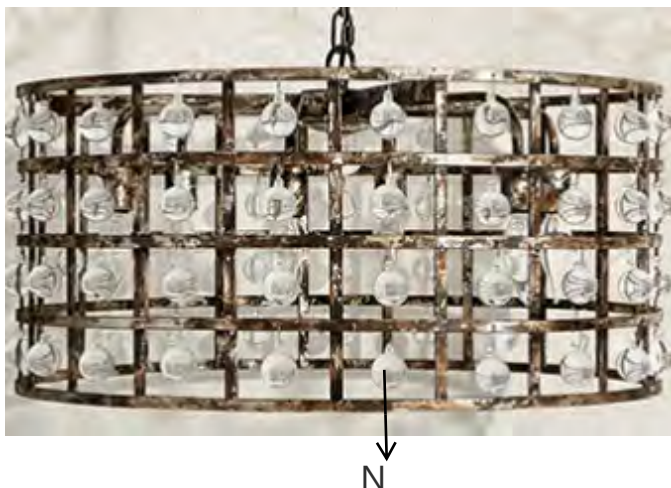
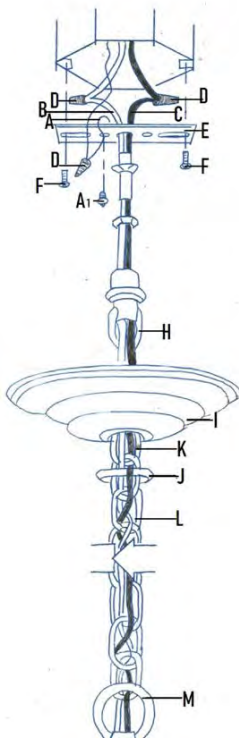
See back of the page for wiring connection details.

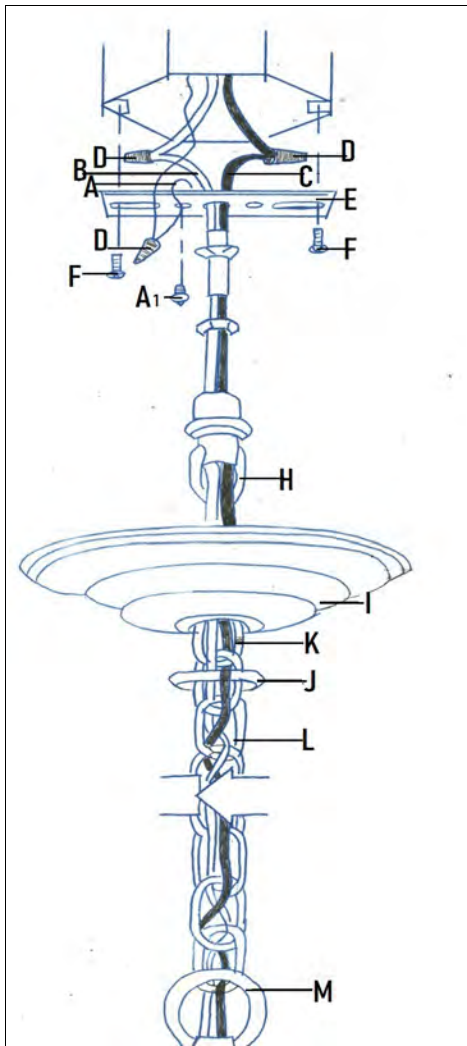
replacement parts assembly:

- To replace glass sphere (N) insert wire clip into the hole on the iron frame. Bend the wire and secure it.

care instructions:

Clean with dry soft cloth/brush only.
Do not use water/alcohol or any detergent.





INSTALLATION INSTRUCTIONS

INCANDESCENT SURFACE MOUNTED LUMINAIRES:

CAUTION

- A PERSON FAMILIAR WITH THE CONSTRUCTION AND OPERATION OF THE PRODUCT MUST INSTALL THIS PRODUCT IN ACCORDANCE WITH THE APPLICABLE INSTALLATION CODE AND THE HAZARDS INVOLVED.

WARNING

- The electricity MUST be turned off at the MAIN FUSE BOX before installation of this luminaire; turning the power off using the light switch is not sufficient to prevent electrical shock.
- Luminaires weighing 50 lbs (25 lbs for surface wall) or more must be mounted directly to the building structure, independently of the electrical box; this installation should not be made on a radiant heat type ceiling.

- If a chain-and-canopy luminaire is provided of an individual grounding conductor (bare or insulated), this shall be interwoven through the chain from the luminaire to the canopy.
- If chain-and-canopy luminaire is provided of a SPT-1 power supply cord type, this shall interwoven through the chain from the luminaire to the canopy.
- The luminaires are not intended to support external weight other than provided glasses.

- WIRE CONNECTION CHART:

Connect Black or Red (Hot) House Wire to:	Connect White (Neutral) House Wire to:
Black (Hot)	White (Neutral)
Parallel cord (round and smooth)	Parallel cord (square or ridged)
Clear, Brown, Gold or Black without tracer	Clear, Brown, Gold or Black with tracer
Insulated wire (other than green) with copper conductor	Insulated wire (other than green) with silver conductor

- ELECTRICAL CONNECTION:

1 Attach grounding wire (green insulated or bare copper) from the supply circuit to the mounting bracket with the green ground attachment screw provided. Connect the grounding wire of the luminaire to the grounding conductor of the supply circuit. Attach all grounding conductors to the mounting bracket with the green ground wire attachment screw.

2 Referring to the Wire Connection Chart, connect the black and white wires.

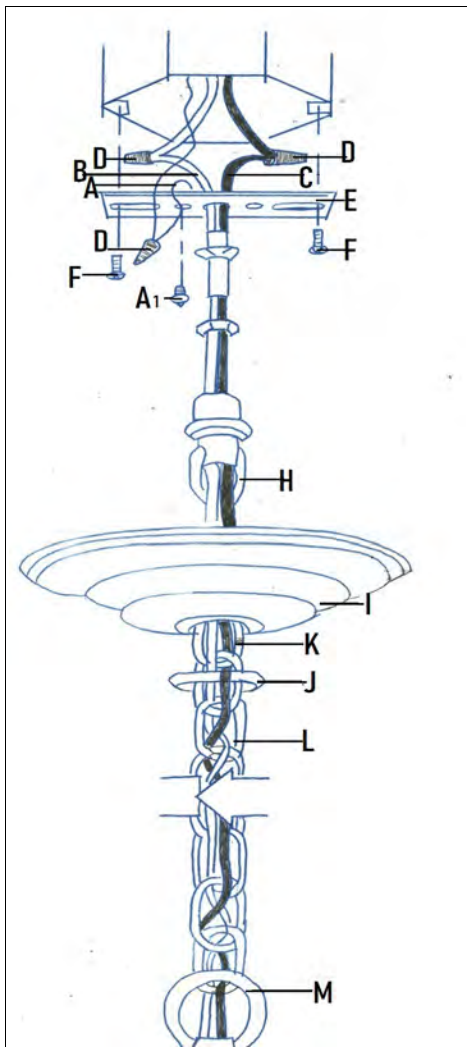
CAUTION

No loose strands or loose connections should be present. Secure with U.L. certified wire connectors and electrical tape.

- FINAL INSTRUCTION:

- 1 Install light bulbs, refer to the relamping label located near the lampholder for recommended wattage. DO NOT EXCEED THE RECOMMENDED WATTAGE.
- 2 Restore electricity and check the operation of the luminaire.

In case of change of the article, not previously authorized, the UL Certification will be terminated immediately



NOTICE DE MONTAGE PLAFONNIERES INCANDESCENTES

ATTENTION

- Le montage doit être effectué par personnes compétentes selon le code d'installation en vigueur et les risques impliqués.
- La sûreté de l'installation est soumise au correct usage des instructions suivantes

AVERTISSEMENT

- Avant d'effectuer chaque opération, couper le courant à la boîte du fusible principale. La mise hors tension grâce à l'interrupteur n'est pas suffisante pour prévenir les chocs électriques.
- Luminaires qui sont lourds 50 Lbs. Ou plus (25 Lbs. Pour appareil mur) doivent être montés directement à la structure du bâtiment, de façon indépendante de la boîte électrique; cette installation ne doit pas être fait sur un plafond avec systèmes de chauffages radiants
- Dans le cas du luminaire avec chaîne et pavillon, il faut passé les câbles a travers les maillons de la chaîne, soit s'il est équipé avec un câble conducteur de mise à la terre individuelle (nu ou isolé), soit s'il est équipé avec un câble d'alimentation SPT-1.
- Les appareils ne devraient pas porte plus de poids que celle prévue pour les verres décoratif

• TABLE CONNEXION CABLES:

Connecter le fil de la maison NOIR ou ROUGE (phase) avec:	Connecter le fil de la maison BLANC (neutre) avec:
Noir (Phase)	Blanc (neutre)
Fil parallèle (ronde et lisse)	Fil parallèle (carré ou striée)
Clair, Marron, Or ou Noir SANS traceur	Clair, Marron, or ou Noir AVEC traceur
Fil isolé (autre que Vert) avec conducteur Cuivre	Fil isolé (autre que Vert) avec conducteur Argent

• CONNEXIONS ÉLECTRIQUES

1. Fixez le fil de terre (vert isolé ou cuivre nu) du circuit d'alimentation au support de montage par la vis vert de fixation de terre fourni.
2. Connectez le fil de mise à la terre du luminaire au conducteur de mise à la terre du circuit d'alimentation. Fixez tous les conducteurs de terre au support de montage avec la vis vert de fixation.
3. Connectez les fils noir et blanc en référant à la table connexion câbles

ATTENTION

Fil libre ou des connexions desserrées ne doivent pas être présents. Fixer avec des connecteurs de fils certifié UL et du ruban électrique.

• INSTALLATION FINALE

1. Installer des ampoules de puissance recommandée, reportez-vous à l'étiquette de remplacement de la lampe situé en proximité de la douille.
2. Ne pas dépasser la puissance recommandée

AVERTISSEMENT

Instructions supplémentaires

Pour la fixation, utiliser les vis fournies et vérifier que le pavillon couvre complètement la boîte de sortie.

En cas de changement d'article, pas autorisé précédemment, la certification UL se terminera immédiatement.

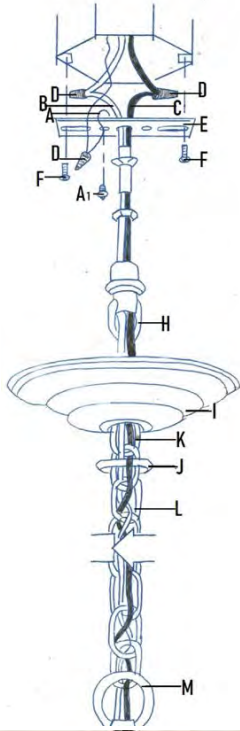
LA CAGE 8 LTS CHANDELIER - DM36" #66636H0366

ARHAUS®

your home

parts enclosed:

- (D) wire nuts (3)
- (E) cross bar set (1)
- (F) cross bar screws (2)
- (I) canopy (1)



N

important safety instructions:

1. We recommend installation by a licensed electrician.
2. To avoid the risk of fire, do not exceed the recommended wattage for this fixture.

wattage: 8 x 40W
type of socket: E12

warnings:

1. Do not remove the lamp from its packaging by pulling on the power cord, as a bad connection may result.
2. To avoid the risk of fire, electrical shock, or personal injury, turn off lamp and allow it to cool prior to replacing light bulb.
3. Do not touch bulb when fixture is turned on or look directly at lit bulb.
4. Keep flammable materials away from lit bulb.

to assemble:

- Attach cross bar (E) to the ceiling junction box using the cross bar screws (F).
- Unscrew the collar ring (J).
- Insert the collar loop (H) into the canopy (I).
- Screw the collar ring (J) back.
- Attach the chandelier chain (L) to the collar loop (H) with the quick link (K).

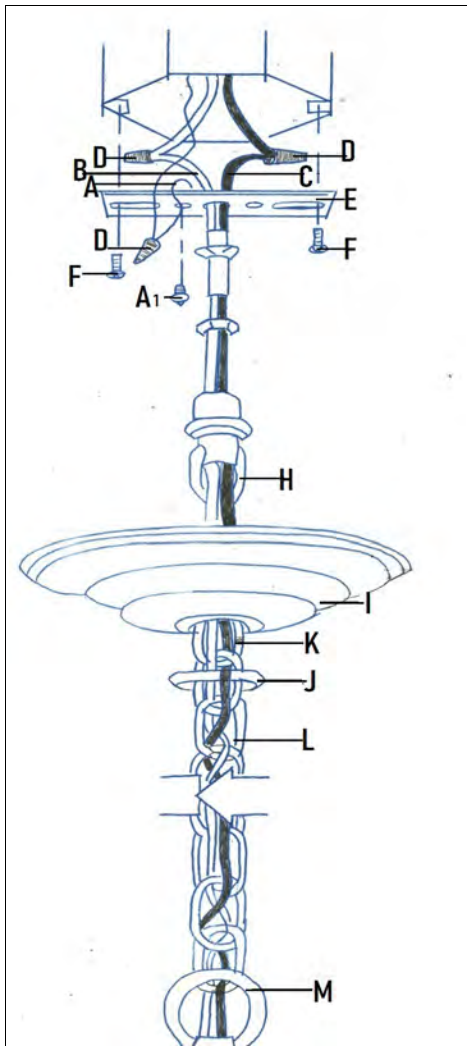
See back of the page for wiring connection details.

replacement parts assembly:

- To replace glass sphere (N) insert wire clip into the hole on the iron frame. Bend the wire and secure it.

care instructions:

Clean with dry soft cloth/brush only.
Do not use water/alcohol or any detergent.



INSTALLATION INSTRUCTIONS

INCANDESCENT SURFACE MOUNTED LUMINAIRES:

CAUTION

- A PERSON FAMILIAR WITH THE CONSTRUCTION AND OPERATION OF THE PRODUCT MUST INSTALL THIS PRODUCT IN ACCORDANCE WITH THE APPLICABLE INSTALLATION CODE AND THE HAZARDS INVOLVED.

WARNING

- The electricity MUST be turned off at the MAIN FUSE BOX before installation of this luminaire; turning the power off using the light switch is not sufficient to prevent electrical shock.
- Luminaires weighing 50 lbs (25 lbs for surface wall) or more must be mounted directly to the building structure, independently of the electrical box; this installation should not be made on a radiant heat type ceiling.

- If a chain-and-canopy luminaire is provided of an individual grounding conductor (bare or insulated), this shall be interwoven through the chain from the luminaire to the canopy.
- If chain-and-canopy luminaire is provided of a SPT-1 power supply cord type, this shall interwoven through the chain from the luminaire to the canopy.
- The luminaires are not intended to support external weight other than provided glasses.

- WIRE CONNECTION CHART:

Connect Black or Red (Hot) House Wire to:	Connect White (Neutral) House Wire to:
Black (Hot)	White (Neutral)
Parallel cord (round and smooth)	Parallel cord (square or ridged)
Clear, Brown, Gold or Black without tracer	Clear, Brown, Gold or Black with tracer
Insulated wire (other than green) with copper conductor	Insulated wire (other than green) with silver conductor

- ELECTRICAL CONNECTION:

1 Attach grounding wire (green insulated or bare copper) from the supply circuit to the mounting bracket with the green ground attachment screw provided. Connect the grounding wire of the luminaire to the grounding conductor of the supply circuit. Attach all grounding conductors to the mounting bracket with the green ground wire attachment screw.

2 Referring to the Wire Connection Chart, connect the black and white wires.

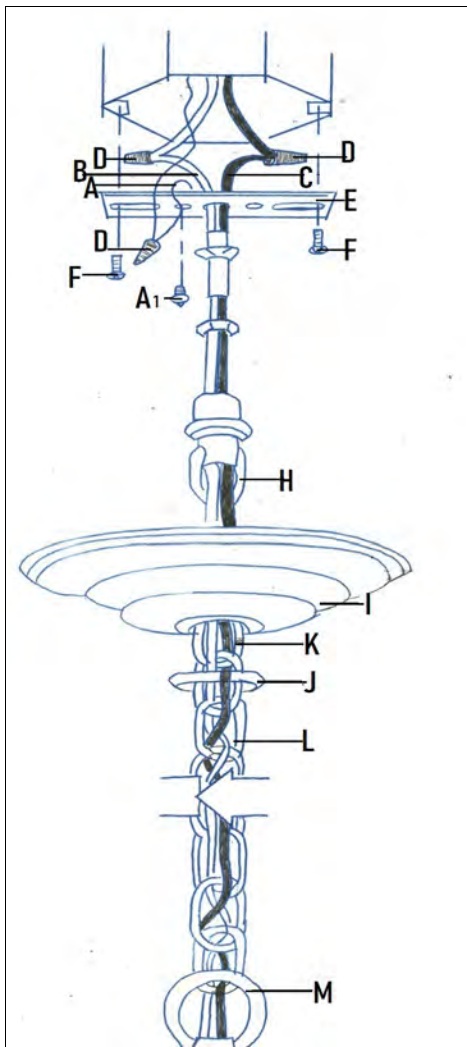
CAUTION

No loose strands or loose connections should be present. Secure with U.L. certified wire connectors and electrical tape.

- FINAL INSTRUCTION:

- 1 Install light bulbs, refer to the relamping label located near the lampholder for recommended wattage. DO NOT EXCEED THE RECOMMENDED WATTAGE.
- 2 Restore electricity and check the operation of the luminaire.

In case of change of the article, not previously authorized, the UL Certification will be terminated immediately



NOTICE DE MONTAGE PLAFONNIERES INCANDESCENTES

ATTENTION

- Le montage doit être effectué par personnes compétentes selon le code d'installation en vigueur et les risques impliqués.
- La sûreté de l'installation est soumise au correct usage des instructions suivantes

AVERTISSEMENT

- Avant d'effectuer chaque opération, couper le courant à la boîte du fusible principale. La mise hors tension grâce à l'interrupteur n'est pas suffisante pour prévenir les chocs électriques.
- Luminaires qui sont lourds 50 Lbs. Ou plus (25 Lbs. Pour appareil mur) doivent être montés directement à la structure du bâtiment, de façon indépendante de la boîte électrique; cette installation ne doit pas être fait sur un plafond avec systèmes de chauffages radiants
- Dans le cas du luminaire avec chaîne et pavillon, il faut passé les câbles a travers les maillons de la chaîne, soit s'il est équipé avec un câble conducteur de mise à la terre individuelle (nu ou isolé), soit s'il est équipé avec un câble d'alimentation SPT-1.
- Les appareils ne devraient pas porte plus de poids que celle prévue pour les verres décoratif

• TABLE CONNEXION CABLES:

Connecter le fil de la maison NOIR ou ROUGE (phase) avec:	Connecter le fil de la maison BLANC (neutre) avec:
Noir (Phase)	Blanc (neutre)
Fil parallèle (ronde et lisse)	Fil parallèle (carré ou striée)
Clair, Marron, Or ou Noir SANS traceur	Clair, Marron, or ou Noir AVEC traceur
Fil isolé (autre que Vert) avec conducteur Cuivre	Fil isolé (autre que Vert) avec conducteur Argent

• CONNEXIONS ÉLECTRIQUES

1. Fixez le fil de terre (vert isolé ou cuivre nu) du circuit d'alimentation au support de montage par la vis vert de fixation de terre fourni.
2. Connectez le fil de mise à la terre du luminaire au conducteur de mise à la terre du circuit d'alimentation. Fixez tous les conducteurs de terre au support de montage avec la vis vert de fixation.
3. Connectez les fils noir et blanc en référant à la table connexion câbles

ATTENTION

Fil libre ou des connexions desserrées ne doivent pas être présents. Fixer avec des connecteurs de fils certifié UL et du ruban électrique.

• INSTALLATION FINALE

1. Installer des ampoules de puissance recommandée, reportez-vous à l'étiquette de remplacement de la lampe situé en proximité de la douille.
2. Ne pas dépasser la puissance recommandée

AVERTISSEMENT

Instructions supplémentaires

Pour la fixation, utiliser les vis fournies et vérifier que le pavillon couvre complètement la boîte de sortie.

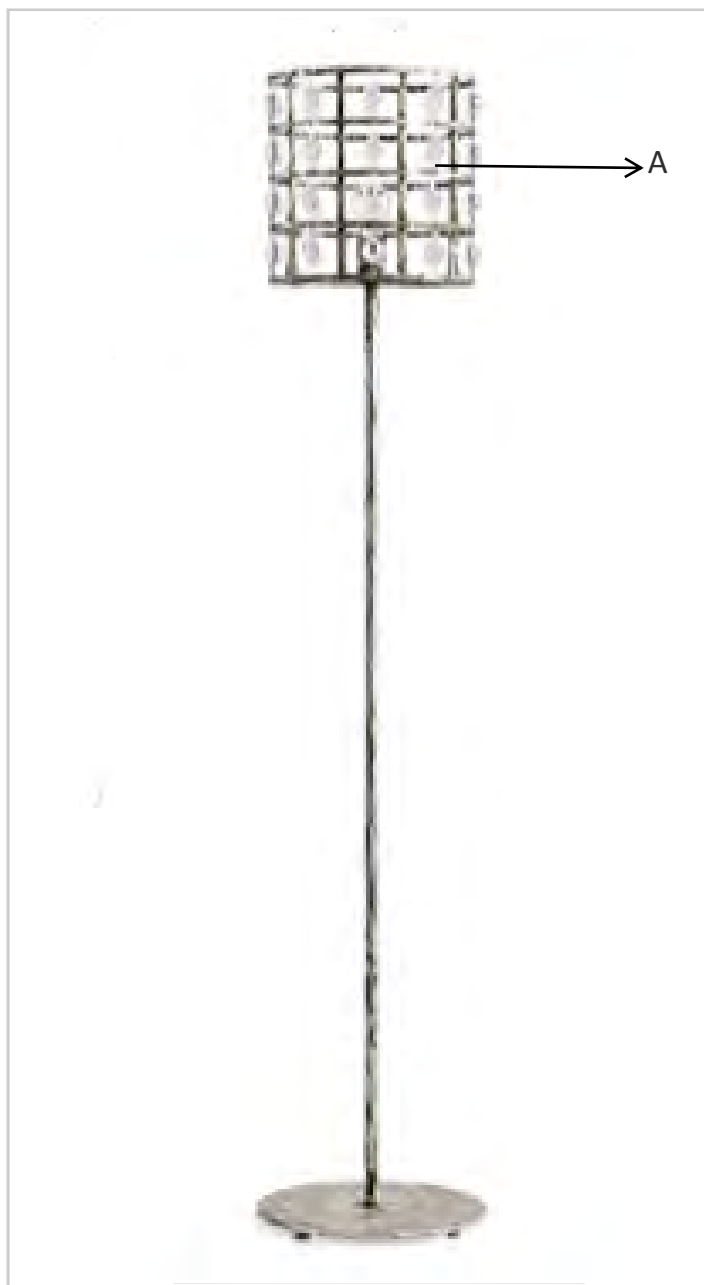
En cas de changement d'article, pas autorisé précédemment, la certification UL se terminera immédiatement.

LA CAGE 1LT FLOOR LAMP

#66636L0575

ARHAUS®

your home



important safety instructions:

To avoid the risk of fire, do not exceed the recommended wattage for this fixture.

wattage: 1 x 60W

type of socket: E26

warnings:

1. Do not remove the lamp from its packaging by pulling on the power cord, as a bad connection may result.
2. To avoid the risk of fire, electrical shock, or personal injury, turn off lamp and allow it to cool prior to replacing light bulb.
3. Do not touch bulb when fixture is turned on or look directly at lit bulb.
4. Keep flammable materials away from lit bulb.

to assemble:

- Insert the polarized plug in the polarized outlet.

replacement parts assembly:

- To replace glass sphere (A) insert wire clip into the hole on the iron frame. Bend the wire and secure it.

care instructions:

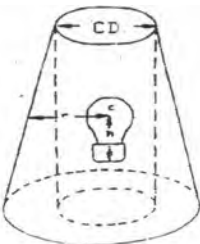
Clean with dry soft cloth/brush only.

Do not use water/alcohol or any detergent

WARNING

- PORTABLE LAMP N. #65636L0575
- TO BE USED ONLY WITH SHADE MODEL N. #65636L0575
- ALWAYS USE AN OPEN-TOP AND OPEN-BOTTOM SHADE, AND MAKE SURE THAT THE TOP AND THE BOTTOM DIAMETER IS AT LEAST 4 1/2 INCHES WIDE.
- MAKE SURE THAT THE HORIZONTAL DISTANCE FROM THE CENTRE OF THE BULB TO THE SHADE IS AT LEAST 2 1/2 INCHES.

MAX 60 WATT
TYPE B LAMP



MODEL N.#65636L0575

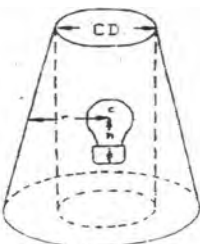
CAUTION IMPORTANT SAFETY INSTRUCTION

THIS PORTABLE LAMP HAS A POLARIZED PLUG (ONE BLADE IS WIDER THAN THE OTHER).AS A FEATURE TO REDUCE THE RISK OF ELECTRIC SHOCK. THIS PLUG WILL FIT IN A POLARIZED OUTLET ONLY ONE WAY. IF THE PLUG STILL DOES NOT FIT FULLY IN THE OUTLET, REVERSE THE PLUG. IF IT STILL DOES NOT FIT, CONTACT A QUALIFIED ELECTRICIAN.NEVER USE WITH AN EXTENSION COR UNLESS PLUG CAN BE FULLY INSERTED. DO NOT ALTER THE PLUG. IN CASE OF CHANGE OF THE ARTICLE, NOT PREVIOUSLY AUTHORIZED, THE UL CERTIFICATION WILL BE TERMINATED, IMMEDIATELY.

ATTENTION

- LAMPE PORTABLE N. #65636L0575
- À UTILISER UNIQUEMENT AVEC LE MODÈLE SHADE N. #65636L0575
- UTILISEZ TOUJOURS UNE TÔLE D'OUVERTURE ET D'OUVERTURE DE BOTTON ET ASSUREZ-VOUS QUE LE DIAMÈTRE SUPÉRIEUR ET LE DIÉMETRE INFÉRIEUR EST D'AU MOINS 4 1/2 POUCES DE LARGEUR.
- S'ASSURER QUE LA DISTANCE HORIZONTALE DU CENTRE DE L'AMPOULE VERS L'OMBRE EST AU MOINS 2 1/2 POUCES.

MAX 60 WATT
CATÉGORIE B LAMPE



MODÈLE N. #65636L0575

AVERTISSEMENT IMPORTANTE

INSTRUCTION DE SÉCURITÉ

CETTE LAMPE PORTABLE A UNE FICHE POLARISÉE (UNE LAME EST PLUS LARGE QUE L'AUTRE).COMME CARACTÉRISTIQUE DE RÉDUIRE LE RISQUE DE CHOC ÉLECTRIQUE. CETTE PLAQUE SERA FIXEE DANS UNE SORTIE POLARISEE UNIQUEMENT. SI LA FICHE N'EST PAS ENCORE EN FONCTIONNEMENT INTEGREE DANS LA SORTIE, INVERSER LA FICHE. SI CELA NE S'APPLIQUE PAS, CONTACTEZ UN ÉLECTRICIEN QUALIFIÉ.

N'UTILISEZ JAMAIS AVEC UN COR EXTENSION, A MOINS QUE LA FICHE PEUT ÊTRE INSÉRÉE ENTIÈREMENT. NE PAS MODIFIER LA FICHE. EN CAS DE CHANGEMENT DE L'ARTICLE, NON AUTORISÉ' PRECEDENT, LA CERTIFICAION UL SERA TERMINE', IMMÉDIATEMENT.

LA CAGE 3LTS FLUSH MOUNT OIL RUBBED BRONZE #66636H152

ARHAUS®

your home

parts enclosed:

- (B) Cross bar screws (2)
- (H) wire nuts (3)

important safety instructions:

1. We recommend installation by a licensed electrician.
2. To avoid the risk of fire, do not exceed the recommended wattage for this fixture.
wattage: 3 x 40W
type of socket: E12

warnings:

1. Do not remove the lamp from its packaging by pulling on the power cord, as a bad connection may result.
2. To avoid the risk of fire, electrical shock, or personal injury, turn off lamp and allow it to cool prior to replacing light bulb.
3. Do not touch bulb when fixture is turned on or look directly at lit bulb.
4. Keep flammable materials away from lit bulb.

to assemble:

- Disassemble metal box cover(C) and cross bar(A) from back of the flushmount.
- Attach the cross bar(A) to the electrical box using the cross bar screws (B).
- Attach the metal box cover (C) to the cross bar (A) using the metal box cover screws (D).
- Attach the box of the flushmount (E) to the metal box cover (C) using the screws (F).

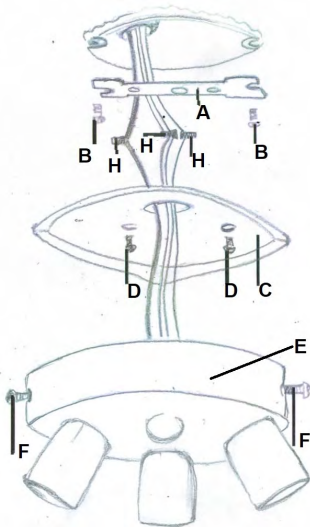
See back of the page for wiring connection details

replacement parts assembly:

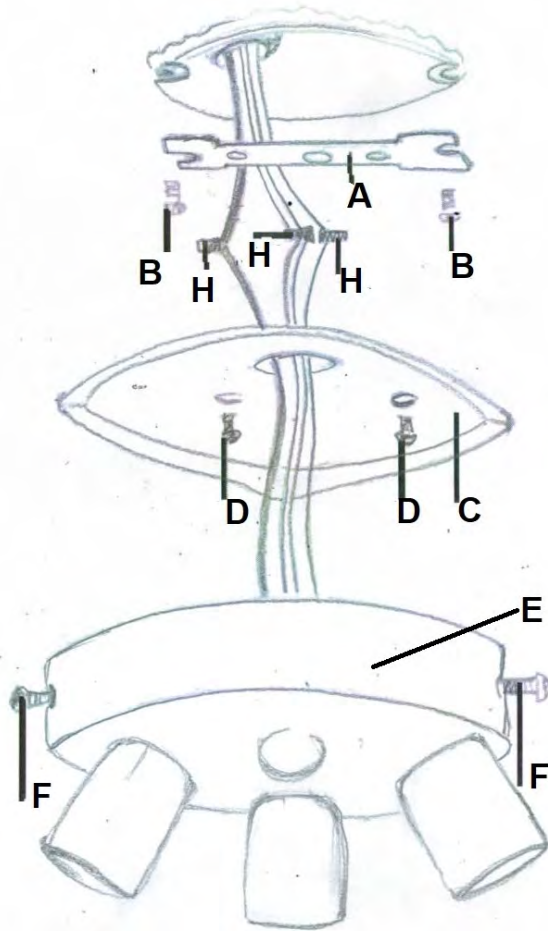
- To replace glass sphere (N) insert wire clip into the hole on the iron frame. Bend the wire and secure it.

care instructions:

Clean with dry soft cloth/brush only.
Do not use water/alcohol or any detergent.



↓
N



INSTALLATION INSTRUCTIONS

INCANDESCENT SURFACE MOUNTED LUMINAIRES:

CAUTION

- A PERSON FAMILIAR WITH THE CONSTRUCTION AND OPERATION OF THE PRODUCT MUST INSTALL THIS PRODUCT IN ACCORDANCE WITH THE APPLICABLE INSTALLATION CODE AND THE HAZARDS INVOLVED.

WARNING

- The electricity MUST be turned off at the MAIN FUSE BOX before installation of this luminaire; turning the power off using the light switch is not sufficient to prevent electrical shock.
- Luminaires weighing 50 lbs (25 lbs for surface wall) or more must be mounted directly to the building structure, independently of the electrical box; this installation should not be made on a radiant heat type ceiling.

- If a chain-and-canopy luminaire is provided of an individual grounding conductor (bare or insulated), this shall be interwoven through the chain from the luminaire to the canopy.
- If chain-and-canopy luminaire is provided of a SPT-1 power supply cord type, this shall interwoven through the chain from the luminaire to the canopy.
- The luminaire are not intended to support external weight other than provided glasses.

- WIRE CONNECTION CHART:

Connect Black or Red (Hot) House Wire to:	Connect White (Neutral) House Wire to:
Black (Hot)	White (Neutral)
Parallel cord (round and smooth)	Parallel cord (square or ridged)
Clear, Brown, Gold or Black without tracer	Clear, Brown, Gold or Black with tracer
Insulated wire (other than green) with copper conductor	Insulated wire (other than green) with silver conductor

- ELECTRICAL CONNECTION:

- 1 Attach grounding wire (green insulated or bare copper) from the supply circuit to the mounting bracket with the green ground attachment screw provided. Connect the grounding wire of the luminaire to the grounding conductor of the supply circuit. Attach all grounding conductors to the mounting bracket with the green ground wire attachment screw.
- 2 Referring to the Wire Connection Chart, connect the black and white wires.

CAUTION

No loose strands or loose connections should be present. Secure with U.L. certified wire connectors and electrical tape.

- FINAL INSTRUCTION:

- 1 Install light bulbs; refer to the relamping label located near the lampholder for recommended wattage. DO NOT EXCEED THE RECOMMENDED WATTAGE.
- 2 Restore electricity and check the operation of the luminaire.

In case of change of the article, not previously authorized, the UL Certification will be terminated immediately

NOTICE DE MONTAGE PLAFONNIERES INCANDESCENTS ATTENTION

- Le montage doit être effectué par personnes compétentes selon le code d'installation en vigueur et les risques impliqués.
- La sûreté de l'installation est soumise au correct usage des instructions suivantes

AVERTISSEMENT

- Avant d'effectuer chaque opération, couper le courant à la boîte du fusible principale. La mise hors tension grâce à l'interrupteur n'est pas suffisante pour prévenir les chocs électriques.
- Luminaires qui sont lourds 50 Lbs. Ou plus (25 Lbs. Pour appareil mur) doivent être montés directement à la structure du bâtiment, de façon indépendante de la boîte électrique; cette installation ne doit pas être fait sur un plafond avec systèmes de chauffages radiants
- Dans le cas du luminaire avec chaîne et pavillon, il faut passé les câbles a travers les maillons de la chaîne, soit s'il est équipé avec un câble conducteur de mise à la terre individuelle (nu ou isolé), soit s'il est équipé avec un câble d'alimentation SPT-1.
- Les appareils ne devraient pas porte plus de poids que celle prévue pour les verres décoratif

• TABLE CONNEXION CABLES:

Connecter le fil de la maison NOIR ou ROUGE (phase) avec:	Connecter le fil de la maison BLANC (neutre) avec:
Noir (Phase)	Blanc (neutre)
Fil parallèle (ronde et lisse)	Fil parallèle (carré ou striée)
Clair, Marron, Or ou Noir SANS traceur	Clair, Marron, or ou Noir AVEC traceur
Fil isolé (autre que Vert) avec conducteur Cuivre	Fil isolé (autre que Vert) avec conducteur Argent

• CONNEXIONS ÉLECTRIQUES

1. Fixez le fil de terre (vert isolé ou cuivre nu) du circuit d'alimentation au support de montage par la vis vert de fixation de terre fourni.
2. Connectez le fil de mise à la terre du luminaire au conducteur de mise à la terre du circuit d'alimentation. Fixez tous les conducteurs de terre au support de montage avec la vis vert de fixation.
3. Connectez les fils noir et blanc en référant à la table connexion câbles

ATTENTION

Fil libre ou des connexions desserrées ne doivent pas être présents. Fixer avec des connecteurs de fils certifié UL et du ruban électrique.

• INSTALLATION FINALE

1. Installer des ampoules de puissance recommandée, reportez-vous à l'étiquette de remplacement de la lampe situé en proximité de la douille.
2. Ne pas dépasser la puissance recommandée

AVERTISSEMENT

Instructions supplémentaires

Pour la fixation, utiliser les vis fournies et vérifier que le pavillon couvre complètement la boîte de sortie.

En cas de changement d'article, pas autorisé précédemment, la certification UL se terminera immédiatement.

LA CAGE RECTANGULAR XL 7 LTS CHANDELIER-OIL RUBBED BRONZE-#66636H136

ARHAUS®
your home

parts enclosed:

- C2) cross bar screws (2)
- E) wirenut (3)
- L) oval canopy (1)
- P) Locking plastic nut (1)

important safety instructions:

1. We recommend installation by a licensed electrician.
2. To avoid the risk of fire, do not exceed the recommended wattage for this fixture.

wattage: 7 X 60 W
type socket: E26

warnings:

1. Do not remove the lamp from its packaging by pulling on the power cord, as a bad connection may result.
2. To avoid the risk of fire, electrical shock, or personal injury, turn off lamp and allow it to cool prior to replacing light bulb.
3. Do not touch bulb when fixture is turned on or look directly at lit bulb.
4. Keep flammable materials away from lit bulb.

to assemble:

- Disassemble cross bar (C) and metal oval plate (F) from back of the oval canopy (L)
- Unscrew the locking plastic nut (P) from canopy (L)
- Insert wire cord through the locking plastic nut (P) and feed it through the hole in the canopy (L)
- Tighten the locking plastic nut (P)
- Tie the black wires as shown (Q).
- Attach cross bar (C) to the ceiling Junction box using the cross bar screws (C2).
- Attach the metal oval plate (F) to the cross bar (C) using the central cross bar screw (C1), washer (G) and hexnut (H).
- Attach the oval canopy (L) to the metal oval plate (F) using the canopy screws (L1).
- Attach chandelier chains to canopy hook (M).

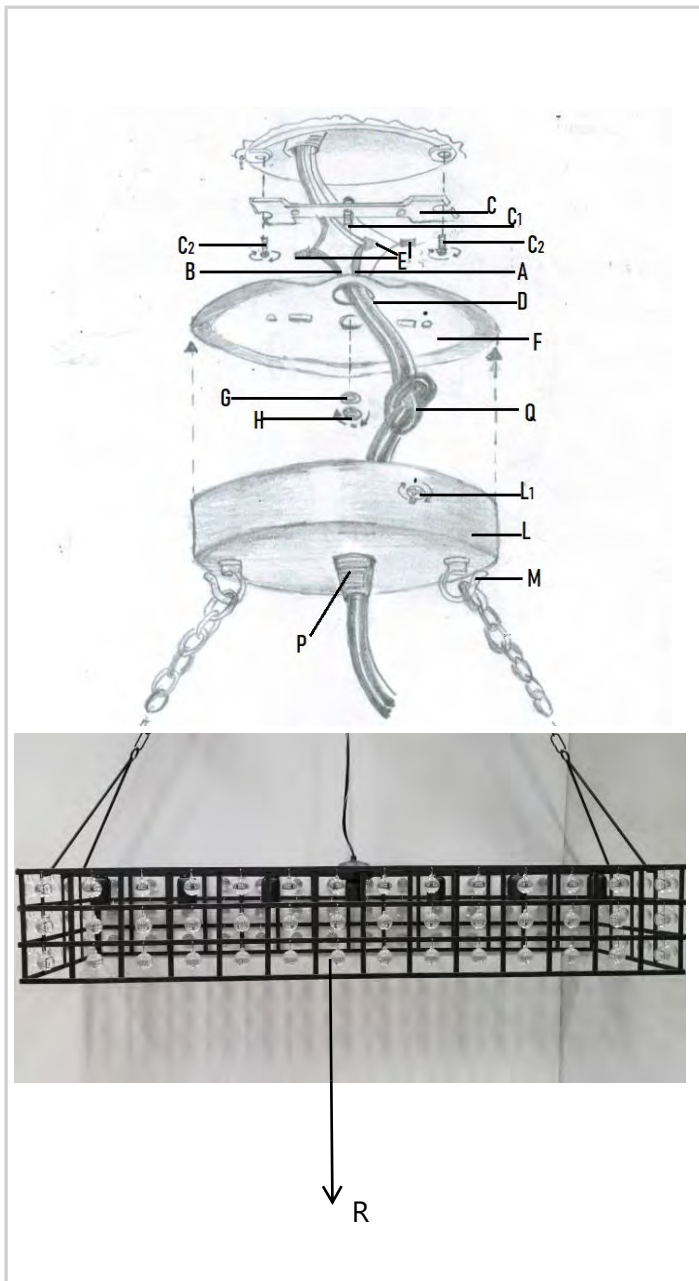
See back of the page for wiring connection details.

replacement parts assembly:

- To replace glass sphere (R) insert wire clip into the hole on the iron frame. Bend the wire and secure it.

care instructions:

- Clean with dry soft cloth/brush only.
- Do not use water/alcohol or any detergent.



INSTALLATION INSTRUCTIONS

INCANDESCENT SURFACE MOUNTED LUMINAIRES:

CAUTION

- A PERSON FAMILIAR WITH THE CONSTRUCTION AND OPERATION OF THE PRODUCT MUST INSTALL THIS PRODUCT IN ACCORDANCE WITH THE APPLICABLE INSTALLATION CODE AND THE HAZARDS INVOLVED.

WARNING

- The electricity MUST be turned off at the MAIN FUSE BOX before installation of this luminaire; turning the power off using the light switch is not sufficient to prevent electrical shock.
- Luminaires weighing 50 lbs (25 lbs for surface wall) or more must be mounted directly to the building structure, independently of the electrical box; this installation should not be made on a radiant heat type ceiling.

- If a chain-and-canopy luminaire is provided of an individual grounding conductor (bare or insulated), this shall be interwoven through the chain from the luminaire to the canopy.
- If chain-and-canopy luminaire is provided of a SPT-1 power supply cord type, this shall interwoven through the chain from the luminaire to the canopy.
- The luminaires are not intended to support external weight other than provided glasses.

- WIRE CONNECTION CHART:

Connect Black or Red (Hot) House Wire to:	Connect White (Neutral) House Wire to:
Black (Hot)	White (Neutral)
Parallel cord (round and smooth)	Parallel cord (square or ridged)
Clear, Brown, Gold or Black without tracer	Clear, Brown, Gold or Black with tracer
Insulated wire (other than green) with copper conductor	Insulated wire (other than green) with silver conductor

- ELECTRICAL CONNECTION:

- 1 Attach grounding wire (green insulated or bare copper) from the supply circuit to the mounting bracket with the green ground attachment screw provided. Connect the grounding wire of the luminaire to the grounding conductor of the supply circuit. Attach all grounding conductors to the mounting bracket with the green ground wire attachment screw.
- 2 Referring to the Wire Connection Chart, connect the black and white wires.

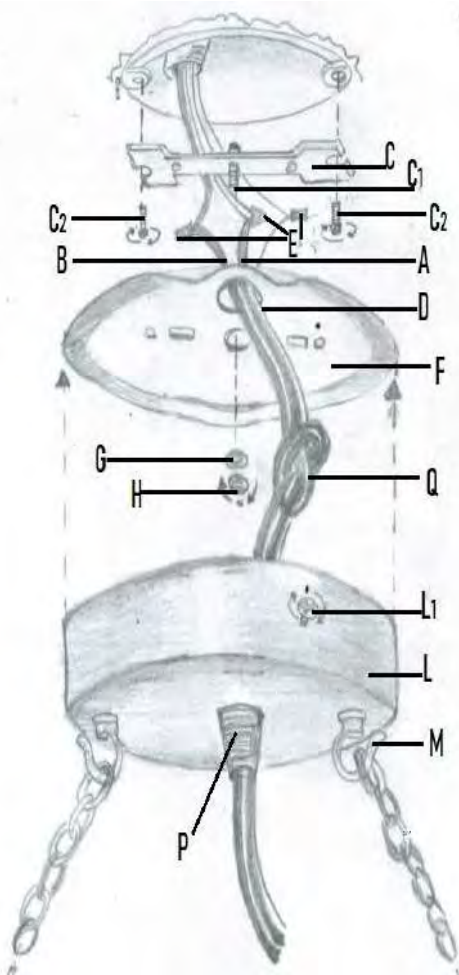
CAUTION

No loose strands or loose connections should be present. Secure with U.L. certified wire connectors and electrical tape.

- FINAL INSTRUCTION:

- 1 Install light bulbs, refer to the relamping label located near the lampholder for recommended wattage. **DO NOT EXCEED THE RECOMMENDED WATTAGE.**
- 2 Restore electricity and check the operation of the luminaire.

In case of change of the article, not previously authorized, the UL Certification will be terminated immediately



NOTICE DE MONTAGE PLAFONNIÈRES INCANDESCENTS

ATTENTION

- Le montage doit être effectué par personnes compétentes selon le code d'installation en vigueur et les risques impliqués.
- La sûreté de l'installation est soumise au correct usage des instructions suivantes

AVERTISSEMENT

- Avant d'effectuer chaque opération, couper le courant à la boîte du fusible principale. La mise hors tension grâce à l'interrupteur n'est pas suffisante pour prévenir les chocs électriques.
- Luminaires qui sont lourds 50 Lbs. Ou plus (25 Lbs. Pour appareil mur) doivent être montés directement à la structure du bâtiment, de façon indépendante de la boîte électrique; cette installation ne doit pas être fait sur un plafond avec systèmes de chauffages radiants
- Dans le cas du luminaire avec chaîne et pavillon, il faut passé les câbles a travers les maillons de la chaîne, soit s'il est équipé avec un câble conducteur de mise à la terre individuelle (nu ou isolé), soit s'il est équipé avec un câble d'alimentation SPT-1.
- Les appareils ne devraient pas porte plus de poids que celle prévue pour les verres décoratif

• TABLE CONNEXION CABLES:

Connecter le fil de la maison NOIR ou ROUGE (phase) avec:	Connecter le fil de la maison BLANC (neutre) avec:
Noir (Phase)	Blanc (neutre)
Fil parallèle (ronde et lisse)	Fil parallèle (carré ou striée)
Clair, Marron, Or ou Noir SANS traceur	Clair, Marron, or ou Noir AVEC traceur
Fil isolé (autre que Vert) avec conducteur Cuivre	Fil isolé (autre que Vert) avec conducteur Argent

• CONNEXIONS ÉLECTRIQUES

1. Fixez le fil de terre (vert isolé ou cuivre nu) du circuit d'alimentation au support de montage par la vis vert de fixation de terre fourni.
2. Connectez le fil de mise à la terre du luminaire au conducteur de mise à la terre du circuit d'alimentation. Fixez tous les conducteurs de terre au support de montage avec la vis vert de fixation.
3. Connectez les fils noir et blanc en référant à la table connexion câbles

ATTENTION

Fil libre ou des connexions desserrées ne doivent pas être présents. Fixer avec des connecteurs de fils certifié UL et du ruban électrique.

• INSTALLATION FINALE

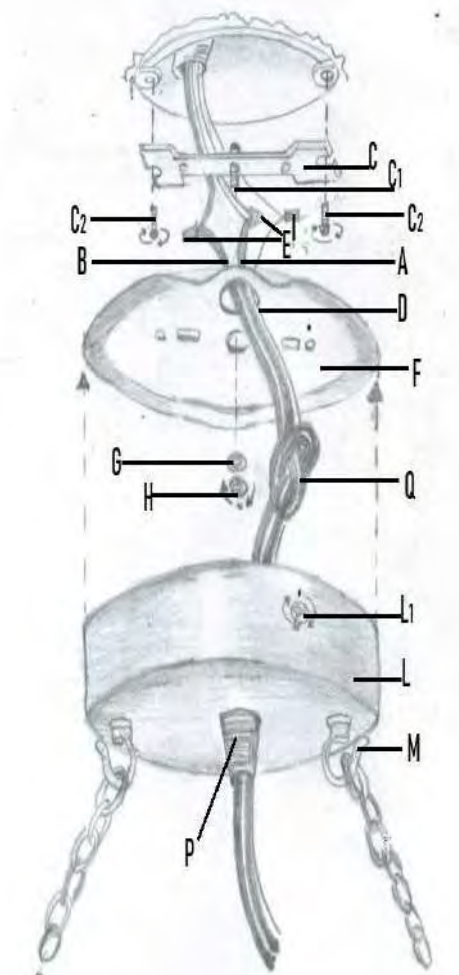
1. Installer des ampoules de puissance recommandée, reportez-vous à l'étiquette de remplacement de la lampe situé en proximité de la douille.
2. Ne pas dépasser la puissance recommandée

AVERTISSEMENT

Instructions supplémentaires

Pour la fixation, utiliser les vis fournies et vérifier que le pavillon couvre complètement la boîte de sortie.

En cas de changement d'article, pas autorisé précédemment, la certification UL se terminera immédiatement.



LA CAGE 1LT PENDANT

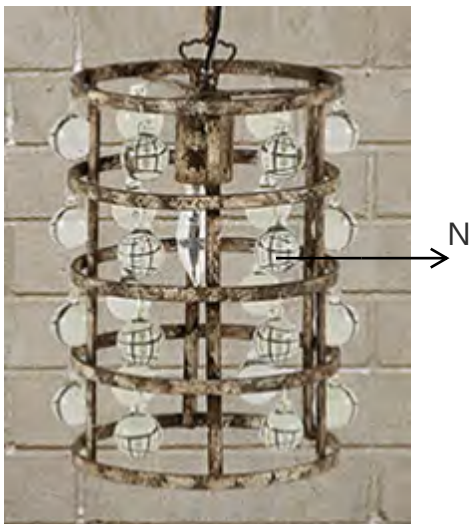
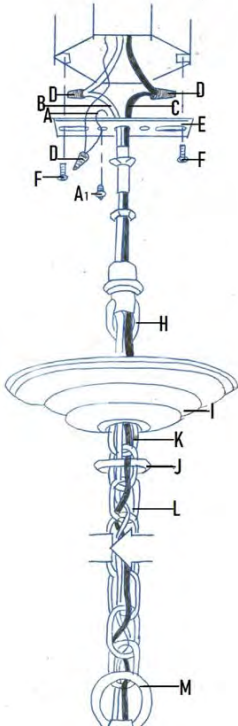
#65636H0248

ARHAUS®

your home

parts enclosed:

- (D) wire nuts (3)
- (E) cross bar set (1)
- (F) cross bar screws (2)
- (I) canopy (1)



important safety instructions:

1. We recommend installation by a licensed electrician.
2. To avoid the risk of fire, do not exceed the recommended wattage for this fixture.

wattage: 1 x 40W
type of socket: E12

warnings:

1. Do not remove the lamp from its packaging by pulling on the power cord, as a bad connection may result.
2. To avoid the risk of fire, electrical shock, or personal injury, turn off lamp and allow it to cool prior to replacing light bulb.
3. Do not touch bulb when fixture is turned on or look directly at lit bulb.
4. Keep flammable materials away from lit bulb.

to assemble:

- Attach cross bar (E) to the ceiling junction box using the cross bar screws (F).
- Unscrew the collar ring (J).
- Insert the collar loop (H) into the canopy (I).
- Screw the collar ring (J) back.
- Attach the chandelier chain (L) to the collar loop (H) with the quick link (K).

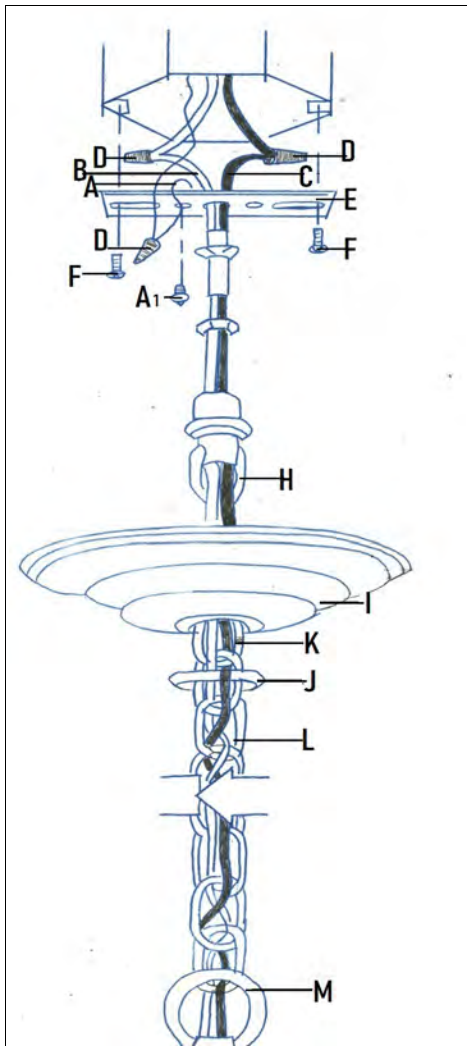
See back of the page for wiring connection details.

replacement parts assembly:

- To replace glass sphere (N) insert wire clip into the hole on the iron frame. Bend the wire and secure it.

care instructions:

Clean with dry soft cloth/brush only.
Do not use water/alcohol or any detergent.



INSTALLATION INSTRUCTIONS

INCANDESCENT SURFACE MOUNTED LUMINAIRES:

CAUTION

- A PERSON FAMILIAR WITH THE CONSTRUCTION AND OPERATION OF THE PRODUCT MUST INSTALL THIS PRODUCT IN ACCORDANCE WITH THE APPLICABLE INSTALLATION CODE AND THE HAZARDS INVOLVED.

WARNING

- The electricity MUST be turned off at the MAIN FUSE BOX before installation of this luminaire; turning the power off using the light switch is not sufficient to prevent electrical shock.
- Luminaires weighing 50 lbs (25 lbs for surface wall) or more must be mounted directly to the building structure, independently of the electrical box; this installation should not be made on a radiant heat type ceiling.

- If a chain-and-canopy luminaire is provided of an individual grounding conductor (bare or insulated), this shall be interwoven through the chain from the luminaire to the canopy.
- If chain-and-canopy luminaire is provided of a SPT-1 power supply cord type, this shall interwoven through the chain from the luminaire to the canopy.
- The luminaires are not intended to support external weight other than provided glasses.

- WIRE CONNECTION CHART:

Connect Black or Red (Hot) House Wire to:	Connect White (Neutral) House Wire to:
Black (Hot)	White (Neutral)
Parallel cord (round and smooth)	Parallel cord (square or ridged)
Clear, Brown, Gold or Black without tracer	Clear, Brown, Gold or Black with tracer
Insulated wire (other than green) with copper conductor	Insulated wire (other than green) with silver conductor

- ELECTRICAL CONNECTION:

1 Attach grounding wire (green insulated or bare copper) from the supply circuit to the mounting bracket with the green ground attachment screw provided. Connect the grounding wire of the luminaire to the grounding conductor of the supply circuit. Attach all grounding conductors to the mounting bracket with the green ground wire attachment screw.

2 Referring to the Wire Connection Chart, connect the black and white wires.

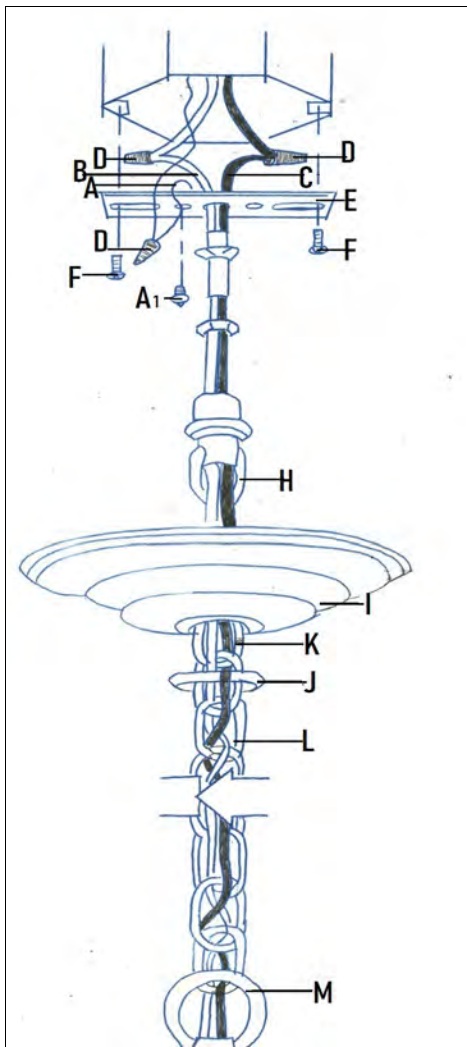
CAUTION

No loose strands or loose connections should be present. Secure with U.L. certified wire connectors and electrical tape.

- FINAL INSTRUCTION:

- 1 Install light bulbs, refer to the relamping label located near the lampholder for recommended wattage. DO NOT EXCEED THE RECOMMENDED WATTAGE.
- 2 Restore electricity and check the operation of the luminaire.

In case of change of the article, not previously authorized, the UL Certification will be terminated immediately



NOTICE DE MONTAGE PLAFONNIERES INCANDESCENTES

ATTENTION

- Le montage doit être effectué par personnes compétentes selon le code d'installation en vigueur et les risques impliqués.
- La sûreté de l'installation est soumise au correct usage des instructions suivantes

AVERTISSEMENT

- Avant d'effectuer chaque opération, couper le courant à la boîte du fusible principale. La mise hors tension grâce à l'interrupteur n'est pas suffisante pour prévenir les chocs électriques.
- Luminaires qui sont lourds 50 Lbs. Ou plus (25 Lbs. Pour appareil mur) doivent être montés directement à la structure du bâtiment, de façon indépendante de la boîte électrique; cette installation ne doit pas être fait sur un plafond avec systèmes de chauffages radiants
- Dans le cas du luminaire avec chaîne et pavillon, il faut passé les câbles a travers les maillons de la chaîne, soit s'il est équipé avec un câble conducteur de mise à la terre individuelle (nu ou isolé), soit s'il est équipé avec un câble d'alimentation SPT-1.
- Les appareils ne devraient pas porte plus de poids que celle prévue pour les verres décoratif

• TABLE CONNEXION CABLES:

Connecter le fil de la maison NOIR ou ROUGE (phase) avec:	Connecter le fil de la maison BLANC (neutre) avec:
Noir (Phase)	Blanc (neutre)
Fil parallèle (ronde et lisse)	Fil parallèle (carré ou striée)
Clair, Marron, Or ou Noir SANS traceur	Clair, Marron, or ou Noir AVEC traceur
Fil isolé (autre que Vert) avec conducteur Cuivre	Fil isolé (autre que Vert) avec conducteur Argent

• CONNEXIONS ÉLECTRIQUES

1. Fixez le fil de terre (vert isolé ou cuivre nu) du circuit d'alimentation au support de montage par la vis vert de fixation de terre fourni.
2. Connectez le fil de mise à la terre du luminaire au conducteur de mise à la terre du circuit d'alimentation. Fixez tous les conducteurs de terre au support de montage avec la vis vert de fixation.
3. Connectez les fils noir et blanc en référant à la table connexion câbles

ATTENTION

Fil libre ou des connexions desserrées ne doivent pas être présents. Fixer avec des connecteurs de fils certifié UL et du ruban électrique.

• INSTALLATION FINALE

1. Installer des ampoules de puissance recommandée, reportez-vous à l'étiquette de remplacement de la lampe situé en proximité de la douille.
2. Ne pas dépasser la puissance recommandée

AVERTISSEMENT

Instructions supplémentaires

Pour la fixation, utiliser les vis fournies et vérifier que le pavillon couvre complètement la boîte de sortie.

En cas de changement d'article, pas autorisé précédemment, la certification UL se terminera immédiatement.

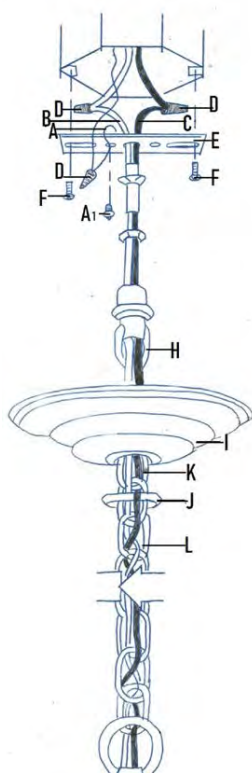
LA CAGE SQUARE 5LTS CHANDELIER-OIL RUBBED BRONZE #66636H134

ARHAUS®

your home

parts enclosed:

- (D) wire nuts (3)
- (E) cross bar set (1)
- (F) cross bar screws (2)
- (I) canopy (1)



important safety instructions:

1. We recommend installation by a licensed electrician.
2. To avoid the risk of fire, do not exceed the recommended wattage for this fixture.

wattage: 5 x 60W
type of socket: E12

warnings:

1. Do not remove the lamp from its packaging by pulling on the power cord, as a bad connection may result.
2. To avoid the risk of fire, electrical shock, or personal injury, turn off lamp and allow it to cool prior to replacing light bulb.
3. Do not touch bulb when fixture is turned on or look directly at lit bulb.
4. Keep flammable materials away from lit bulb.

to assemble:

- Attach cross bar (E) to the ceiling junction box using the cross bar screws (F).
- Unscrew the collar ring (J).
- Insert the collar loop (H) into the canopy (I).
- Screw the collar ring (J) back.
- Attach the chandelier chain (L) to the collar loop (H) with the quick link (K).

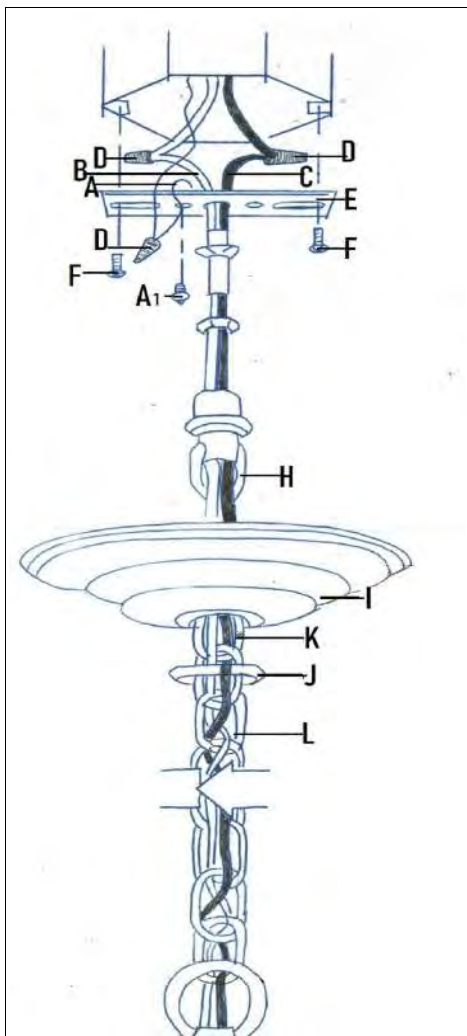
See back of the page for wiring connection details.

replacement parts assembly:

- To replace glass sphere (N) insert wire clip into the hole on the iron frame. Bend the wire and secure it.

care instructions:

Clean with dry soft cloth/brush only.
Do not use water/alcohol or any detergent.



INSTALLATION INSTRUCTIONS

INCANDESCENT SURFACE MOUNTED LUMINAIRES:

CAUTION

- A PERSON FAMILIAR WITH THE CONSTRUCTION AND OPERATION OF THE PRODUCT MUST INSTALL THIS PRODUCT IN ACCORDANCE WITH THE APPLICABLE INSTALLATION CODE AND THE HAZARDS INVOLVED.

WARNING

- The electricity MUST be turned off at the MAIN FUSE BOX before installation of this luminaire; turning the power off using the light switch is not sufficient to prevent electrical shock.
- Luminaires weighing 50 lbs (25 lbs for surface wall) or more must be mounted directly to the building structure, independently of the electrical box; this installation should not be made on a radiant heat type ceiling.

- If a chain-and-canopy luminaire is provided of an individual grounding conductor (bare or insulated), this shall be interwoven through the chain from the luminaire to the canopy.
- If chain-and-canopy luminaire is provided of a SPT-1 power supply cord type, this shall interwoven through the chain from the luminaire to the canopy.
- The luminaires are not intended to support external weight other than provided glasses.

- WIRE CONNECTION CHART:

Connect Black or Red (Hot) House Wire to:	Connect White (Neutral) House Wire to:
Black (Hot)	White (Neutral)
Parallel cord (round and smooth)	Parallel cord (square or ridged)
Clear, Brown, Gold or Black without tracer	Clear, Brown, Gold or Black with tracer
Insulated wire (other than green) with copper conductor	Insulated wire (other than green) with silver conductor

- ELECTRICAL CONNECTION:

1 Attach grounding wire (green insulated or bare copper) from the supply circuit to the mounting bracket with the green ground attachment screw. Connect the grounding wire of the luminaire to the grounding conductor of the supply circuit. Attach all grounding conductors to the mounting bracket with the green ground wire attachment screw.

2 Referring to the Wire Connection Chart, connect the black and white wires.

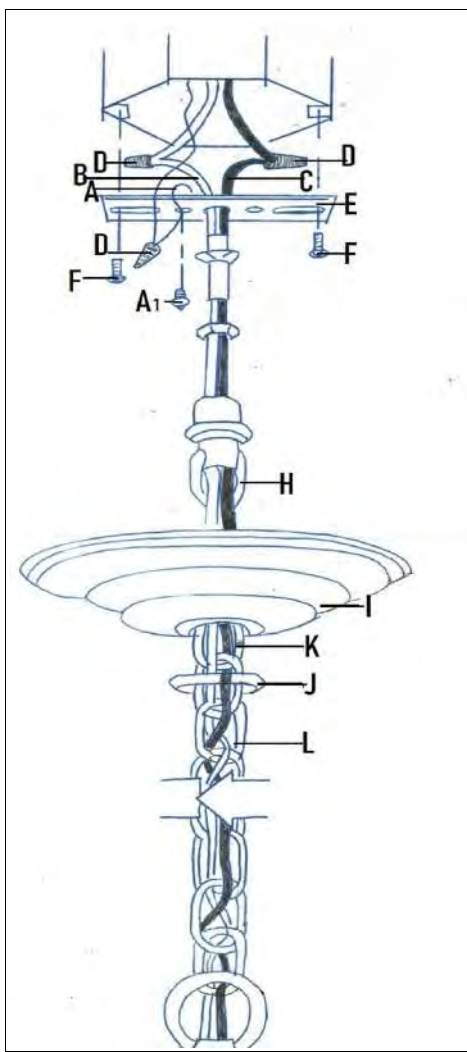
CAUTION

No loose strands or loose connections should be present. Secure with U.L. certified wire connectors and electrical tape.

- FINAL INSTRUCTION:

- 1 Install light bulbs, refer to the relamping label located near the lampholder for recommended wattage. DO NOT EXCEED THE RECOMMENDED WATTAGE.
- 2 Restore electricity and check the operation of the luminaire.

In case of change of the article, not previously authorized, the UL Certification will be terminated immediately



NOTICE DE MONTAGE PLAFONNIERES INCANDESCENTS

ATTENTION

- Le montage doit être effectué par personnes compétentes selon le code d'installation en vigueur et les risques impliqués.
- La sûreté de l'installation est soumise au correct usage des instructions suivantes

AVERTISSEMENT

- Avant d'effectuer chaque opération, couper le courant à la boîte du fusible principale. La mise hors tension grâce à l'interrupteur n'est pas suffisante pour prévenir les chocs électriques.
- Luminaires qui sont lourds 50 Lbs. Ou plus (25 Lbs. Pour appareil mur) doivent être montés directement à la structure du bâtiment, de façon indépendante de la boîte électrique; cette installation ne doit pas être fait sur un plafond avec systèmes de chauffages radiants
- Dans le cas du luminaire avec chaîne et pavillon, il faut passé les câbles a travers les maillons de la chaîne, soit s'il est équipé avec un câble conducteur de mise à la terre individuelle (nu ou isolé), soit s'il est équipé avec un câble d'alimentation SPT-1.
- Les appareils ne devraient pas porte plus de poids que celle prévue pour les verres décoratif

• TABLE CONNEXION CABLES:

Connecter le fil de la maison NOIR ou ROUGE (phase) avec:	Connecter le fil de la maison BLANC (neutre) avec:
Noir (Phase)	Blanc (neutre)
Fil parallèle (ronde et lisse)	Fil parallèle (carré ou striée)
Clair, Marron, Or ou Noir SANS traceur	Clair, Marron, or ou Noir AVEC traceur
Fil isolé (autre que Vert) avec conducteur Cuivre	Fil isolé (autre que Vert) avec conducteur Argent

• CONNEXIONS ÉLECTRIQUES

1. Fixez le fil de terre (vert isolé ou cuivre nu) du circuit d'alimentation au support de montage par la vis vert de fixation de terre fourni.
2. Connectez le fil de mise à la terre du luminaire au conducteur de mise à la terre du circuit d'alimentation. Fixez tous les conducteurs de terre au support de montage avec la vis vert de fixation.
3. Connectez les fils noir et blanc en référant à la table connexion câbles

ATTENTION

Fil libre ou des connexions desserrées ne doivent pas être présents. Fixer avec des connecteurs de fils certifié UL et du ruban électrique.

• INSTALLATION FINALE

1. Installer des ampoules de puissance recommandée, reportez-vous à l'étiquette de remplacement de la lampe situé en proximité de la douille.
2. Ne pas dépasser la puissance recommandée

AVERTISSEMENT

Instructions supplémentaires

Pour la fixation, utiliser les vis fournies et vérifier que le pavillon couvre complètement la boîte de sortie.

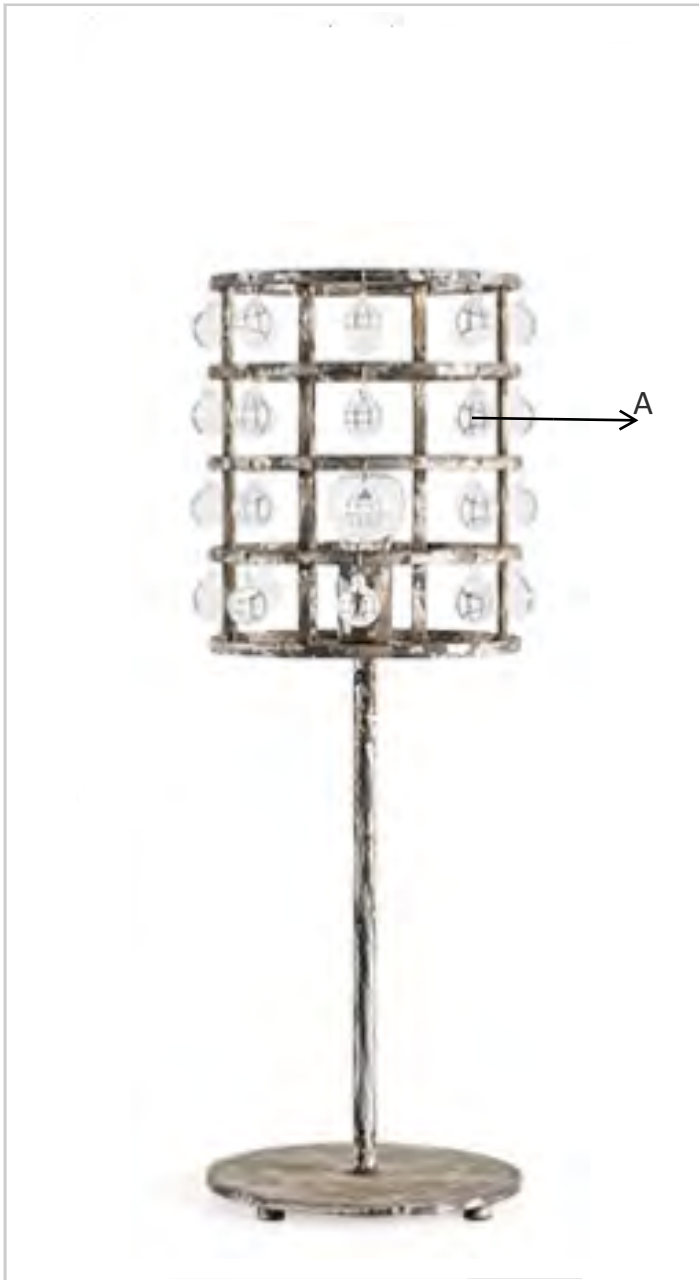
En cas de changement d'article, pas autorisé précédemment, la certification UL se terminera immédiatement.

LA CAGE 1LT TABLE LAMP

#66636L0574

ARHAUS®

your home



important safety instructions:

To avoid the risk of fire, do not exceed the recommended wattage for this fixture.

wattage: 1 x 60W
type of socket: E26

warnings:

1. Do not remove the lamp from its packaging by pulling on the power cord, as a bad connection may result.
2. To avoid the risk of fire, electrical shock, or personal injury, turn off lamp and allow it to cool prior to replacing light bulb.
3. Do not touch bulb when fixture is turned on or look directly at lit bulb.
4. Keep flammable materials away from lit bulb.

to assemble:

- Insert the polarized plug in the polarized outlet.

replacement parts assembly:

- To replace glass sphere (A) insert wire clip into the hole on the iron frame. Bend the wire and secure it.

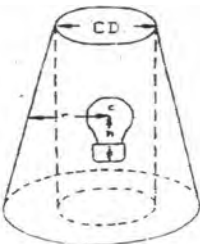
care instructions:

Clean with dry soft cloth/brush only.
Do not use water/alcohol or any detergent

WARNING

- PORTABLE LAMP N. #65636L0574
- TO BE USED ONLY WITH SHADE MODEL N. #65636L0574
- ALWAYS USE AN OPEN-TOP AND OPEN-BOTTOM SHADE, AND MAKE SURE THAT THE TOP AND THE BOTTOM DIAMETER IS AT LEAST 4 1/2 INCHES WIDE.
- MAKE SURE THAT THE HORIZONTAL DISTANCE FROM THE CENTRE OF THE BULB TO THE SHADE IS AT LEAST 2 1/2 INCHES.

MAX 60 WATT
TYPE B LAMP



MODEL N.#65636L0574

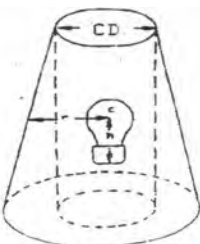
CAUTION IMPORTANT SAFETY INSTRUCTION

THIS PORTABLE LAMP HAS A POLARIZED PLUG (ONE BLADE IS WIDER THAN THE OTHER).AS A FEATURE TO REDUCE THE RISK OF ELECTRIC SHOCK. THIS PLUG WILL FIT IN A POLARIZED OUTLET ONLY ONE WAY. IF THE PLUG STILL DOES NOT FIT FULLY IN THE OUTLET, REVERSE THE PLUG. IF IT STILL DOES NOT FIT, CONTACT A QUALIFIED ELECTRICIAN.NEVER USE WITH AN EXTENSION COR UNLESS PLUG CAN BE FULLY INSERTED. DO NOT ALTER THE PLUG. IN CASE OF CHANGE OF THE ARTICLE, NOT PREVIOUSLY AUTHORIZED, THE UL CERTIFICATION WILL BE TERMINATED, IMMEDIATELY.

ATTENTION

- LAMPE PORTABLE N. #65636L0574
- À UTILISER UNIQUEMENT AVEC LE MODÈLE SHADE N. #65636L0574
- UTILISEZ TOUJOURS UNE TÔLE D'OUVERTURE ET D'OUVERTURE DE BOTTON ET ASSUREZ-VOUS QUE LE DIAMÈTRE SUPÉRIEUR ET LE DIÉMETRE INFÉRIEUR EST D'AU MOINS 4 1/2 POUCES DE LARGEUR.
- S'ASSURER QUE LA DISTANCE HORIZONTALE DU CENTRE DE L'AMPOULE VERS L'OMBRE EST AU MOINS 2 1/2 POUCES.

MAX 60 WATT
CATÉGORIE B LAMPE



MODÈLE N. #65636L0574

AVERTISSEMENT IMPORTANTE

INSTRUCTION DE SÉCURITÉ

CETTE LAMPE PORTABLE A UNE FICHE POLARISÉE (UNE LAME EST PLUS LARGE QUE L'AUTRE).COMME CARACTÉRISTIQUE DE RÉDUIRE LE RISQUE DE CHOC ÉLECTRIQUE. CETTE PLAQUE SERA FIXEE DANS UNE SORTIE POLARISEE UNIQUEMENT. SI LA FICHE N'EST PAS ENCORE EN FONCTIONNEMENT INTEGREE DANS LA SORTIE, INVERSER LA FICHE. SI CELA NE S'APPLIQUE PAS, CONTACTEZ UN ÉLECTRICIEN QUALIFIÉ.

N'UTILISEZ JAMAIS AVEC UN COR EXTENSION, A MOINS QUE LA FICHE PEUT ÊTRE INSÉRÉE ENTIÈREMENT. NE PAS MODIFIER LA FICHE. EN CAS DE CHANGEMENT DE L'ARTICLE, NON AUTORISÉ' PRECEDENT, LA CERTIFICAION UL SERA TERMINE', IMMÉDIATEMENT.

LA CAGE-1LT WALL SCONCE

#65636H0368

ARHAUS®

your home

parts enclosed:

- (B) Cross bar screws (2)
- (H) wire nuts (3)

important safety instructions:

1. We recommend installation by a licensed electrician.
2. To avoid the risk of fire, do not exceed the recommended wattage for this fixture.

wattage: 1 x 40W

type of socket: E12

warnings:

1. Do not remove the lamp from its packaging by pulling on the power cord, as a bad connection may result.
2. To avoid the risk of fire, electrical shock, or personal injury, turn off lamp and allow it to cool prior to replacing light bulb.
3. Do not touch bulb when fixture is turned on or look directly at lit bulb.
4. Keep flammable materials away from lit bulb.

to assemble:

- Disassemble metal box cover(C) and cross bar(A) from back of the sconce
- Attach the cross bar(A) to the electrical box using the cross bar screws (B)
- Attach the metal box cover (C) to the cross bar (A) using the metal box cover screws (D)
- Attach the box of the sconce (E) to the metal box cover (C) using the screws (F)

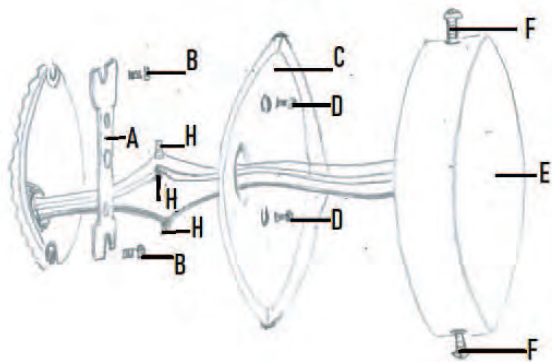
See back of the page for wiring connection details

replacement parts assembly:

- To replace glass sphere (G) insert wire clip into the hole on the iron frame. Bend the wire and secure it.

care instructions:

Clean with dry soft cloth/brush only.
Do not use water/alcohol or any detergent.



PARTS INVENTORY

Super Category	Product ID	Description	Stat	Collection	Route
LIGHTING	91636H248CN	LA CAGE 12.5 CM CANOPY SILVER CLAY CANOPY W/ HARDWARE	A	PT-LACAGE	PART
LIGHTING	91636H141CN	LA CAGE 12.5 CM CANOPY - BRNZ BRONZE SM CANOPY W/ HARDWARE	A	PT-LACAGE	PART
LIGHTING	91636H102CN	LA CAGE 12.5 CM CANOPY - GOLD GOLD CLAY CANOPY W/ HARDWARE	A	PT-LACAGE	PART
LIGHTING	91636H365CN	LA CAGE 14.5 CM CANOPY SILVER CLAY CANOPY W/ HARDWARE	A	PT-LACAGE	PART
LIGHTING	91636H103CN	LA CAGE 14.5 CM CANOPY - GOLD GOLD CLAY CANOPY W/ HARDWARE	A	PT-LACAGE	PART
LIGHTING	91636H139CN	LA CAGE 14.5 CM CANOPY- BRNZ BRONZE LG CANOPY W/ HARDWARE	A	PT-LACAGE	PART
LIGHTING	91636H140CN	LA CAGE 16.5 CM CANOPY- BRNZ BRONZE OVAL CANOPY W/ HDWR	A	PT-LACAGE	PART
LIGHTING	91636H248CH	LA CAGE 4 MM 12 FT CHAIN 4 MM X 3.7 MT SILVER CLY CHAIN	A	PT-LACAGE	PART
LIGHTING	91636H102CH	LA CAGE 4 MM 12 FT CHAIN -GOLD 4 MM X 3.7 MT GOLD CLAY CHAIN	A	PT-LACAGE	PART
LIGHTING	91636H141CH	LA CAGE 4 MM 12 FT CHAIN- BRNZ 4 MM X 3.7 MT OIL RUB BRNZ CH	A	PT-LACAGE	PART
LIGHTING	91636H248CH6	LA CAGE 4 MM 6 FT CHAIN 4 MM X 1.8 MT SILVER CLY CHAIN	A	PT-LACAGE	PART
LIGHTING	91636H102CH6	LA CAGE 4 MM 6 FT CHAIN - GOLD 4 MM X 1.8 MT GOLD CLAY CHAIN	A	PT-LACAGE	PART
LIGHTING	91636H141CH6	LA CAGE 4 MM 6 FT CHAIN-BRONZE 4 MM X1.8 MT OIL RUB BRNZ CH	A	PT-LACAGE	PART
LIGHTING	91636H365CH	LA CAGE 5 MM 12 FT CHAIN 5 MM X 3.7 MT SILVER CLY CHAIN	A	PT-LACAGE	PART
LIGHTING	91636H103CH	LA CAGE 5 MM 12 FT CHAIN -GOLD 5 MM X 3.7 MT GOLD CLAY CHAIN	A	PT-LACAGE	PART
LIGHTING	91636H139CH	LA CAGE 5 MM 12 FT CHAIN- BRNZ 5 MM X 3.7 MT OIL RUB BRNZ CH	A	PT-LACAGE	PART
LIGHTING	91636H365CH6	LA CAGE 5 MM 6 FT CHAIN 5 MM X 1.8 MT SILVER CLY CHAIN	A	PT-LACAGE	PART
LIGHTING	91636H103CH6	LA CAGE 5 MM 6 FT CHAIN - GOLD 5 MM X 1.8 MT GOLD CLAY CHAIN	A	PT-LACAGE	PART
LIGHTING	91636H139CH6	LA CAGE 5 MM 6 FT CHAIN-BRONZE 5 MM X 1.8 MT OIL RUB BRNZ CH	A	PT-LACAGE	PART
LIGHTING	91636H248CR	LA CAGE CRYSTAL -SILVER/BRONZE 30 MM CRYSTAL W/ NICKEL WIRE	A	PT-LACAGE	PART
LIGHTING	91636H367CN	LA CAGE RECT CHAND CANOPY SILVER CLAY OVAL CANOPY W HDWR	A	PT-LACAGE	PART

LA CAGE BRONZE 9-LT RECT #66636H409

ARHAUS®

your home

parts enclosed:

- C2) cross bar screws (2)
- E) wirenut (3)
- L) oval canopy (1)
- P) Locking plastic nut (1)

important safety instructions:

1. We recommend installation by a licensed electrician.
2. To avoid the risk of fire, do not exceed the recommended wattage for this fixture.

wattage: 5 X 60 W
type socket: E26

warnings:

1. Do not remove the lamp from its packaging by pulling on the power cord, as a bad connection may result.
2. To avoid the risk of fire, electrical shock, or personal injury, turn off lamp and allow it to cool prior to replacing light bulb.
3. Do not touch bulb when fixture is turned on or look directly at lit bulb.
4. Keep flammable materials away from lit bulb.

to assemble:

- Disassemble cross bar (C) and metal oval plate (F) from back of the oval canopy (L)
- Unscrew the locking plastic nut (P) from canopy (L)
- Insert wire cord through the locking plastic nut (P) and feed it through the hole in the canopy (L)
- Tighten the locking plastic nut (P)
- Tie the black wires as shown (Q).
- Attach cross bar (C) to the ceiling Junction box using the cross bar screws (C2).
- Attach the metal oval plate (F) to the cross bar (C) using the central cross bar screw (C1), washer (G) and hexnut (H).
- Attach the oval canopy (L) to the metal oval plate (F) using the canopy screws (L1).
- Attach chandelier chains to canopy hook (M).

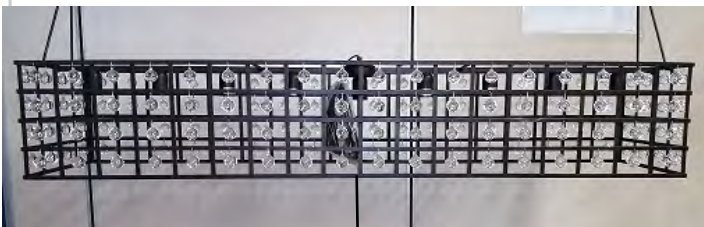
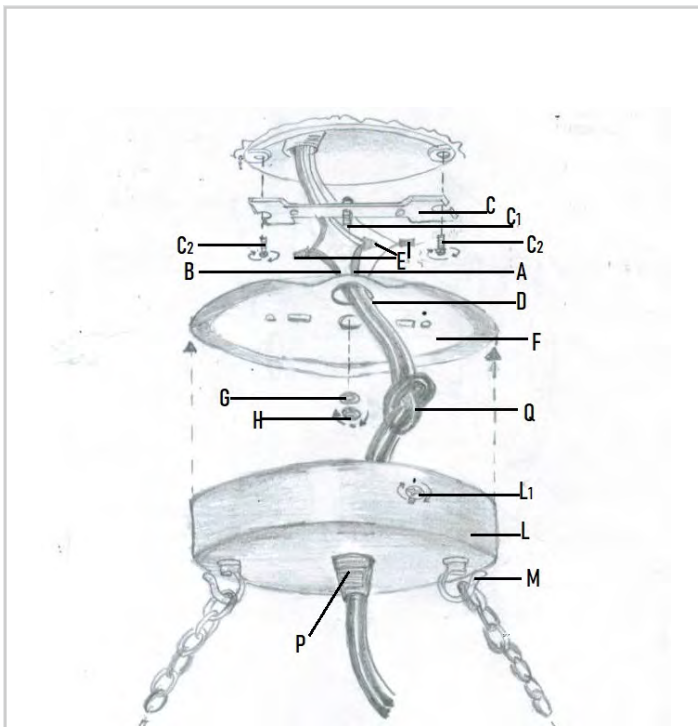
See back of the page for wiring connection details.

replacement parts assembly:

- To replace glass sphere (R) insert wire clip into the hole on the iron frame. Bend the wire and secure it.

care instructions:

- Clean with dry soft cloth/brush only.
- Do not use water/alcohol or any detergent.



R

INSTALLATION INSTRUCTIONS

INCANDESCENT SURFACE MOUNTED LUMINAIRES:

CAUTION

- A PERSON FAMILIAR WITH THE CONSTRUCTION AND OPERATION OF THE PRODUCT MUST INSTALL THIS PRODUCT IN ACCORDANCE WITH THE APPLICABLE INSTALLATION CODE AND THE HAZARDS INVOLVED.

WARNING

- The electricity MUST be turned off at the MAIN FUSE BOX before installation of this luminaire; turning the power off using the light switch is not sufficient to prevent electrical shock.
- Luminaires weighing 50 lbs (25 lbs for surface wall) or more must be mounted directly to the building structure, independently of the electrical box; this installation should not be made on a radiant heat type ceiling.

- If a chain-and-canopy luminaire is provided of an individual grounding conductor (bare or insulated), this shall be interwoven through the chain from the luminaire to the canopy.
- If chain-and-canopy luminaire is provided of a SPT-1 power supply cord type, this shall interwoven through the chain from the luminaire to the canopy.
- The luminaires are not intended to support external weight other than provided glasses.

- WIRE CONNECTION CHART:

Connect Black or Red (Hot) House Wire to:	Connect White (Neutral) House Wire to:
Black (Hot)	White (Neutral)
Parallel cord (round and smooth)	Parallel cord (square or ridged)
Clear, Brown, Gold or Black without tracer	Clear, Brown, Gold or Black with tracer
Insulated wire (other than green) with copper conductor	Insulated wire (other than green) with silver conductor

- ELECTRICAL CONNECTION:

1 Attach grounding wire (green insulated or bare copper) from the supply circuit to the mounting bracket with the green ground attachment screw provided. Connect the grounding wire of the luminaire to the grounding conductor of the supply circuit. Attach all grounding conductors to the mounting bracket with the green ground wire attachment screw.

2 Referring to the Wire Connection Chart, connect the black and white wires.

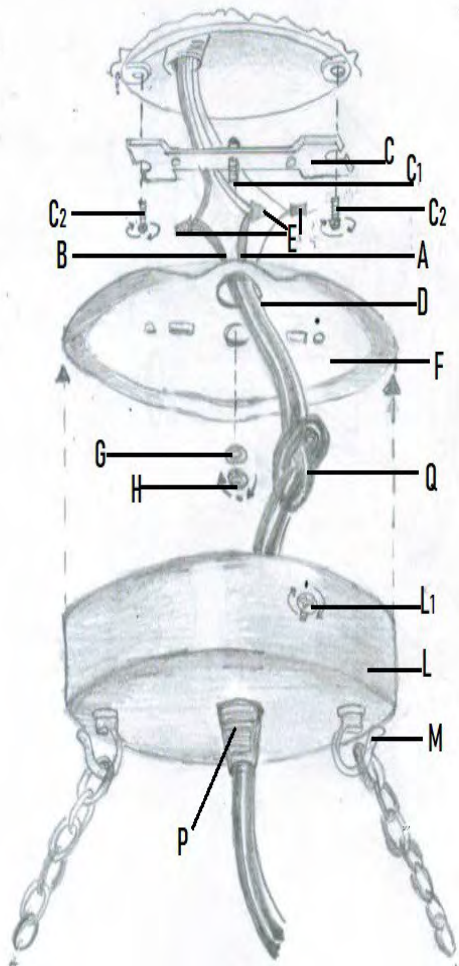
CAUTION

No loose strands or loose connections should be present. Secure with U.L. certified wire connectors and electrical tape.

- FINAL INSTRUCTION:

- 1 Install light bulbs, refer to the relamping label located near the lampholder for recommended wattage. DO NOT EXCEED THE RECOMMENDED WATTAGE.
- 2 Restore electricity and check the operation of the luminaire.

In case of change of the article, not previously authorized, the UL Certification will be terminated immediately



NOTICE DE MONTAGE PLAFONNIERES INCANDESCENTS

ATTENTION

- Le montage doit être effectué par personnes compétentes selon le code d'installation en vigueur et les risques impliqués.
- La sûreté de l'installation est soumise au correct usage des instructions suivantes

AVERTISSEMENT

- Avant d'effectuer chaque opération, couper le courant à la boîte du fusible principale. La mise hors tension grâce à l'interrupteur n'est pas suffisante pour prévenir les chocs électriques.
- Luminaires qui sont lourds 50 Lbs. Ou plus (25 Lbs. Pour appareil mur) doivent être montés directement à la structure du bâtiment, de façon indépendante de la boîte électrique; cette installation ne doit pas être fait sur un plafond avec systèmes de chauffages radiants
- Dans le cas du luminaire avec chaîne et pavillon, il faut passé les câbles a travers les maillons de la chaîne, soit s'il est équipé avec un câble conducteur de mise à la terre individuelle (nu ou isolé), soit s'il est équipé avec un câble d'alimentation SPT-1.
- Les appareils ne devraient pas porte plus de poids que celle prévue pour les verres décoratif

• TABLE CONNEXION CABLES:

Connecter le fil de la maison NOIR ou ROUGE (phase) avec:	Connecter le fil de la maison BLANC (neutre) avec:
Noir (Phase)	Blanc (neutre)
Fil parallèle (ronde et lisse)	Fil parallèle (carré ou striée)
Clair, Marron, Or ou Noir SANS traceur	Clair, Marron, or ou Noir AVEC traceur
Fil isolé (autre que Vert) avec conducteur Cuivre	Fil isolé (autre que Vert) avec conducteur Argent

• CONNEXIONS ÉLECTRIQUES

1. Fixez le fil de terre (vert isolé ou cuivre nu) du circuit d'alimentation au support de montage par la vis vert de fixation de terre fourni.
2. Connectez le fil de mise à la terre du luminaire au conducteur de mise à la terre du circuit d'alimentation. Fixez tous les conducteurs de terre au support de montage avec la vis vert de fixation.
3. Connectez les fils noir et blanc en référant à la table connexion câbles

ATTENTION

Fil libre ou des connexions desserrées ne doivent pas être présents. Fixer avec des connecteurs de fils certifié UL et du ruban électrique.

• INSTALLATION FINALE

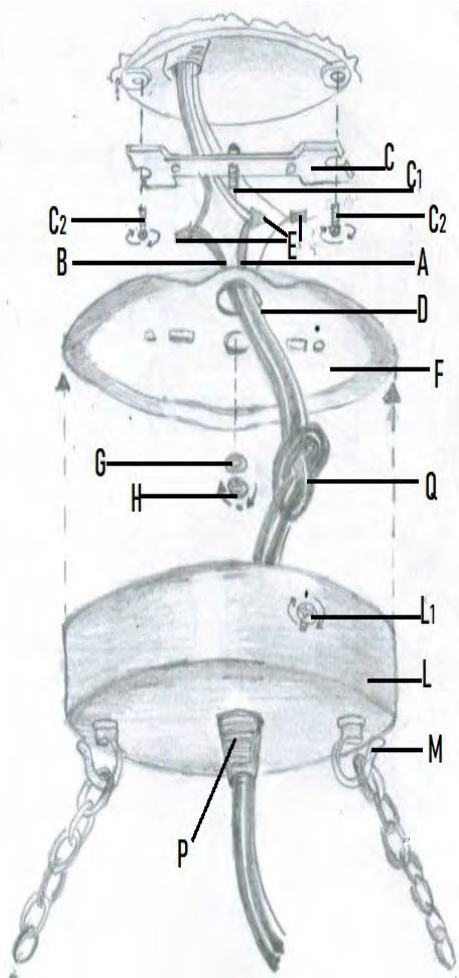
1. Installer des ampoules de puissance recommandée, reportez-vous à l'étiquette de remplacement de la lampe situé en proximité de la douille.
2. Ne pas dépasser la puissance recommandée

AVERTISSEMENT

Instructions supplémentaires

Pour la fixation, utiliser les vis fournies et vérifier que le pavillon couvre complètement la boîte de sortie.

En cas de changement d'article, pas autorisé précédemment, la certification UL se terminera immédiatement.



LA CAGE BRONZE12-LT CHANDELIER #66636H411

ARHAUS®

your home

parts enclosed:

- (B) Cross bar screws (2)
- (H) wire nuts (3)

important safety instructions:

1. We recommend installation by a licensed electrician.
2. To avoid the risk of fire, do not exceed the recommended wattage for this fixture.
wattage: 3 x 40W
type of socket: E12

warnings:

1. Do not remove the lamp from its packaging by pulling on the power cord, as a bad connection may result.
2. To avoid the risk of fire, electrical shock, or personal injury, turn off lamp and allow it to cool prior to replacing light bulb.
3. Do not touch bulb when fixture is turned on or look directly at lit bulb.
4. Keep flammable materials away from lit bulb.

to assemble:

- Disassemble metal box cover(C) and cross bar(A) from back of the flushmount.
- Attach the cross bar(A) to the electrical box using the cross bar screws (B).
- Attach the metal box cover (C) to the cross bar (A) using the metal box cover screws (D).
- Attach the box of the flushmount (E) to the metal box cover (C) using the screws (F).

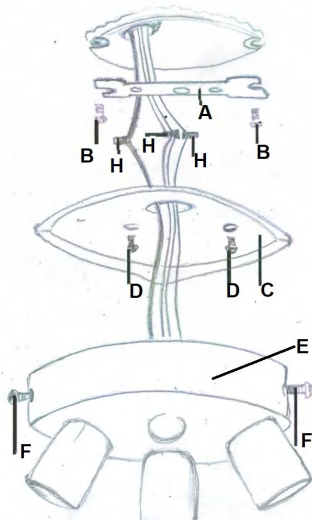
See back of the page for wiring connection details

replacement parts assembly:

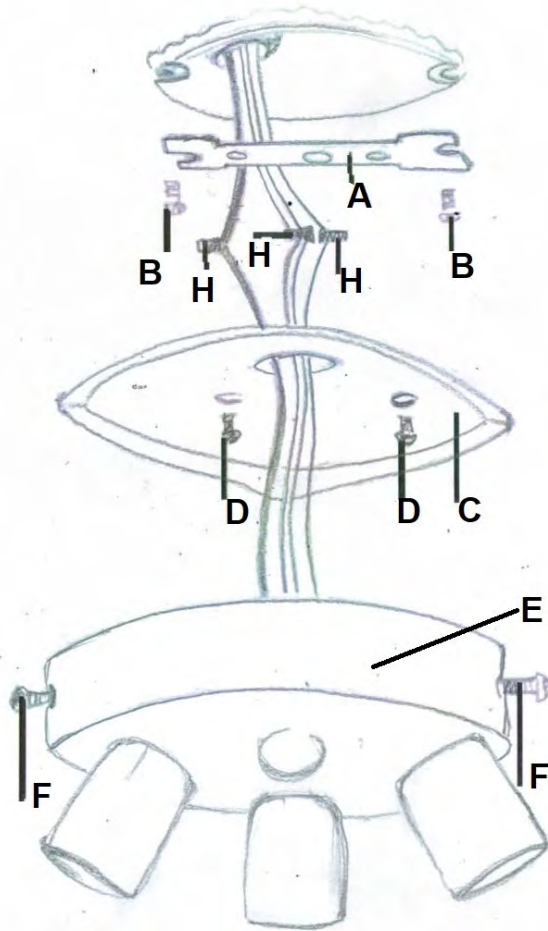
- To replace glass sphere (N) insert wire clip into the hole on the iron frame. Bend the wire and secure it.

care instructions:

Clean with dry soft cloth/brush only.
Do not use water/alcohol or any detergent.



N



INSTALLATION INSTRUCTIONS

INCANDESCENT SURFACE MOUNTED LUMINAIRES:

CAUTION

- A PERSON FAMILIAR WITH THE CONSTRUCTION AND OPERATION OF THE PRODUCT MUST INSTALL THIS PRODUCT IN ACCORDANCE WITH THE APPLICABLE INSTALLATION CODE AND THE HAZARDS INVOLVED.

WARNING

- The electricity MUST be turned off at the MAIN FUSE BOX before installation of this luminaire; turning the power off using the light switch is not sufficient to prevent electrical shock.
- Luminaires weighing 50 lbs (25 lbs for surface wall) or more must be mounted directly to the building structure, independently of the electrical box; this installation should not be made on a radiant heat type ceiling.

- If a chain-and-canopy luminaire is provided of an individual grounding conductor (bare or insulated), this shall be interwoven through the chain from the luminaire to the canopy.
- If chain-and-canopy luminaire is provided of a SPT-1 power supply cord type, this shall interwoven through the chain from the luminaire to the canopy.
- The luminaire are not intended to support external weight other than provided glasses.

- WIRE CONNECTION CHART:

Connect Black or Red (Hot) House Wire to:	Connect White (Neutral) House Wire to:
Black (Hot)	White (Neutral)
Parallel cord (round and smooth)	Parallel cord (square or ridged)
Clear, Brown, Gold or Black without tracer	Clear, Brown, Gold or Black with tracer
Insulated wire (other than green) with copper conductor	Insulated wire (other than green) with silver conductor

- ELECTRICAL CONNECTION:

- 1 Attach grounding wire (green insulated or bare copper) from the supply circuit to the mounting bracket with the green ground attachment screw provided. Connect the grounding wire of the luminaire to the grounding conductor of the supply circuit. Attach all grounding conductors to the mounting bracket with the green ground wire attachment screw.
- 2 Referring to the Wire Connection Chart, connect the black and white wires.

CAUTION

No loose strands or loose connections should be present. Secure with U.L. certified wire connectors and electrical tape.

- FINAL INSTRUCTION:

- 1 Install light bulbs; refer to the relamping label located near the lampholder for recommended wattage. DO NOT EXCEED THE RECOMMENDED WATTAGE.
- 2 Restore electricity and check the operation of the luminaire.

In case of change of the article, not previously authorized, the UL Certification will be terminated immediately

NOTICE DE MONTAGE PLAFONNIERES INCANDESCENTS ATTENTION

- Le montage doit être effectué par personnes compétentes selon le code d'installation en vigueur et les risques impliqués.
- La sûreté de l'installation est soumise au correct usage des instructions suivantes

AVERTISSEMENT

- Avant d'effectuer chaque opération, couper le courant à la boîte du fusible principale. La mise hors tension grâce à l'interrupteur n'est pas suffisante pour prévenir les chocs électriques.
- Luminaires qui sont lourds 50 Lbs. Ou plus (25 Lbs. Pour appareil mur) doivent être montés directement à la structure du bâtiment, de façon indépendante de la boîte électrique; cette installation ne doit pas être fait sur un plafond avec systèmes de chauffages radiants
- Dans le cas du luminaire avec chaîne et pavillon, il faut passé les câbles a travers les maillons de la chaîne, soit s'il est équipé avec un câble conducteur de mise à la terre individuelle (nu ou isolé), soit s'il est équipé avec un câble d'alimentation SPT-1.
- Les appareils ne devraient pas porte plus de poids que celle prévue pour les verres décoratif

• TABLE CONNEXION CABLES:

Connecter le fil de la maison NOIR ou ROUGE (phase) avec:	Connecter le fil de la maison BLANC (neutre) avec:
Noir (Phase)	Blanc (neutre)
Fil parallèle (ronde et lisse)	Fil parallèle (carré ou striée)
Clair, Marron, Or ou Noir SANS traceur	Clair, Marron, or ou Noir AVEC traceur
Fil isolé (autre que Vert) avec conducteur Cuivre	Fil isolé (autre que Vert) avec conducteur Argent

• CONNEXIONS ÉLECTRIQUES

1. Fixez le fil de terre (vert isolé ou cuivre nu) du circuit d'alimentation au support de montage par la vis vert de fixation de terre fourni.
2. Connectez le fil de mise à la terre du luminaire au conducteur de mise à la terre du circuit d'alimentation. Fixez tous les conducteurs de terre au support de montage avec la vis vert de fixation.
3. Connectez les fils noir et blanc en référant à la table connexion câbles

ATTENTION

Fil libre ou des connexions desserrées ne doivent pas être présents. Fixer avec des connecteurs de fils certifié UL et du ruban électrique.

• INSTALLATION FINALE

1. Installer des ampoules de puissance recommandée, reportez-vous à l'étiquette de remplacement de la lampe situé en proximité de la douille.
2. Ne pas dépasser la puissance recommandée

AVERTISSEMENT

Instructions supplémentaires

Pour la fixation, utiliser les vis fournies et vérifier que le pavillon couvre complètement la boîte de sortie.

En cas de changement d'article, pas autorisé précédemment, la certification UL se terminera immédiatement.

LA CAGE 1LT TALL PENDANT OIL RUBBED BRONZE #66636H589

ARHAUS®

your home

parts enclosed:

- (D) wire nuts (3)
- (E) cross bar set (1)
- (F) cross bar screws (2)
- (I) canopy (1)

important safety instructions:

1. We recommend installation by a licensed electrician.
2. To avoid the risk of fire, do not exceed the recommended wattage for this fixture.

wattage: 1x 40W
type of socket: E12

warnings:

1. Do not remove the lamp from its packaging by pulling on the power cord, as a bad connection may result.
2. To avoid the risk of fire, electrical shock, or personal injury, turn off lamp and allow it to cool prior to replacing light bulb.
3. Do not touch bulb when fixture is turned on or look directly at lit bulb.
4. Keep flammable materials away from lit bulb.

to assemble:

- Attach cross bar (E) to the ceiling junction box using the cross bar screws (F).
- Unscrew the collar ring (J).
- Insert the collar loop (H) into the canopy (I).
- Screw the collar ring (J) back.
- Attach the chandelier chain (L) to the collar loop (H) with the quick link (K).

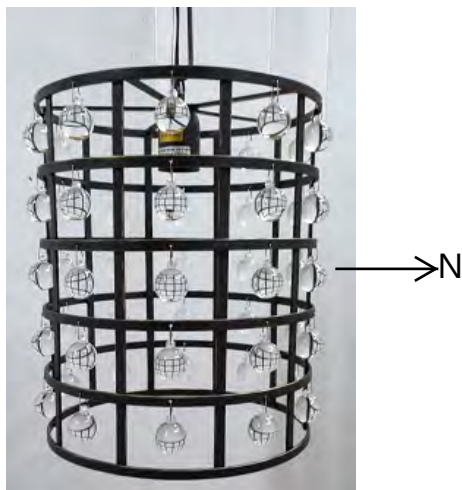
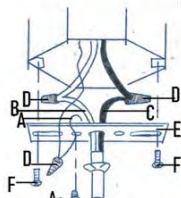
See back of the page for wiring connection details.

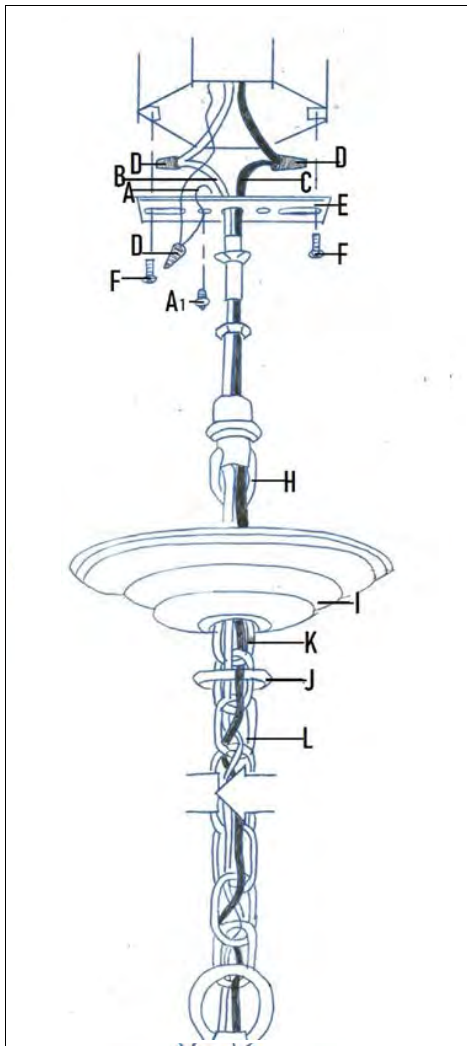
replacement parts assembly:

- To replace glass sphere (N) insert wire clip into the hole on the iron frame. Bend the wire and secure it.

care instructions:

Clean with dry soft cloth/brush only.
Do not use water/alcohol or any detergent.





INSTALLATION INSTRUCTIONS

INCANDESCENT SURFACE MOUNTED LUMINAIRES:

CAUTION

- A PERSON FAMILIAR WITH THE CONSTRUCTION AND OPERATION OF THE PRODUCT MUST INSTALL THIS PRODUCT IN ACCORDANCE WITH THE APPLICABLE INSTALLATION CODE AND THE HAZARDS INVOLVED.

WARNING

- The electricity MUST be turned off at the MAIN FUSE BOX before installation of this luminaire; turning the power off using the light switch is not sufficient to prevent electrical shock.
- Luminaires weighing 50 lbs (25 lbs for surface wall) or more must be mounted directly to the building structure, independently of the electrical box; this installation should not be made on a radiant heat type ceiling.

- If a chain-and-canopy luminaire is provided of an individual grounding conductor (bare or insulated), this shall be interwoven through the chain from the luminaire to the canopy.
- If chain-and-canopy luminaire is provided of a SPT-1 power supply cord type, this shall interwoven through the chain from the luminaire to the canopy.
- The luminaires are not intended to support external weight other than provided glasses.

- WIRE CONNECTION CHART:

Connect Black or Red (Hot) House Wire to:	Connect White (Neutral) House Wire to:
Black (Hot)	White (Neutral)
Parallel cord (round and smooth)	Parallel cord (square or ridged)
Clear, Brown, Gold or Black without tracer	Clear, Brown, Gold or Black with tracer
Insulated wire (other than green) with copper conductor	Insulated wire (other than green) with silver conductor

- ELECTRICAL CONNECTION:

1 Attach grounding wire (green insulated or bare copper) from the supply circuit to the mounting bracket with the green ground attachment screw. Connect the grounding wire of the luminaire to the grounding conductor of the supply circuit. Attach all grounding conductors to the mounting bracket with the green ground wire attachment screw.

2 Referring to the Wire Connection Chart, connect the black and white wires.

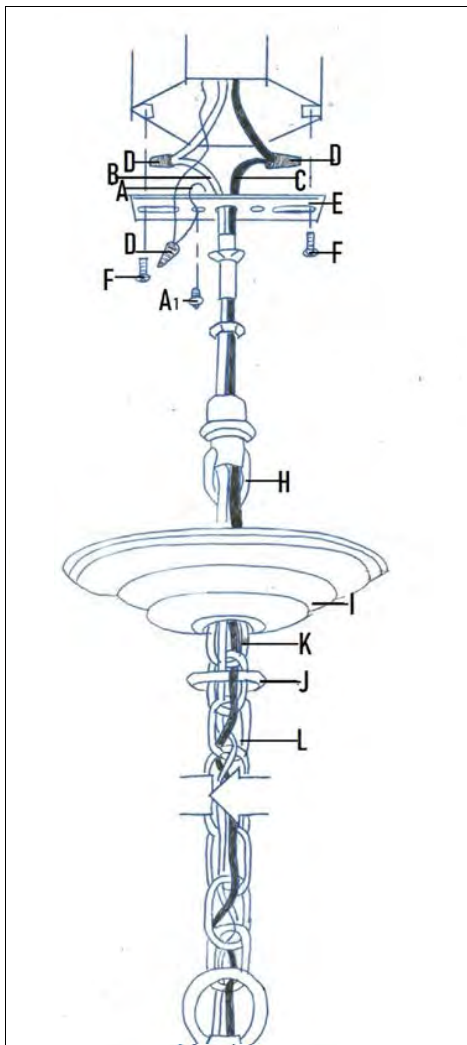
CAUTION

No loose strands or loose connections should be present. Secure with U.L. certified wire connectors and electrical tape.

- FINAL INSTRUCTION:

- 1 Install light bulbs, refer to the relamping label located near the lampholder for recommended wattage. DO NOT EXCEED THE RECOMMENDED WATTAGE.
- 2 Restore electricity and check the operation of the luminaire.

In case of change of the article, not previously authorized, the UL Certification will be terminated immediately



NOTICE DE MONTAGE PLAFONNIERES INCANDESCENTES

ATTENTION

- Le montage doit être effectué par personnes compétentes selon le code d'installation en vigueur et les risques impliqués.
- La sûreté de l'installation est soumise au correct usage des instructions suivantes

AVERTISSEMENT

- Avant d'effectuer chaque opération, couper le courant à la boîte du fusible principale. La mise hors tension grâce à l'interrupteur n'est pas suffisante pour prévenir les chocs électriques.
- Luminaires qui sont lourds 50 Lbs. Ou plus (25 Lbs. Pour appareil mur) doivent être montés directement à la structure du bâtiment, de façon indépendante de la boîte électrique; cette installation ne doit pas être fait sur un plafond avec systèmes de chauffages radiants
- Dans le cas du luminaire avec chaîne et pavillon, il faut passé les câbles a travers les maillons de la chaîne, soit s'il est équipé avec un câble conducteur de mise à la terre individuelle (nu ou isolé), soit s'il est équipé avec un câble d'alimentation SPT-1.
- Les appareils ne devraient pas porte plus de poids que celle prévue pour les verres décoratif

• TABLE CONNEXION CABLES:

Connecter le fil de la maison NOIR ou ROUGE (phase) avec:	Connecter le fil de la maison BLANC (neutre) avec:
Noir (Phase)	Blanc (neutre)
Fil parallèle (ronde et lisse)	Fil parallèle (carré ou striée)
Clair, Marron, Or ou Noir SANS traceur	Clair, Marron, or ou Noir AVEC traceur
Fil isolé (autre que Vert) avec conducteur Cuivre	Fil isolé (autre que Vert) avec conducteur Argent

• CONNEXIONS ÉLECTRIQUES

1. Fixez le fil de terre (vert isolé ou cuivre nu) du circuit d'alimentation au support de montage par la vis vert de fixation de terre fourni.
2. Connectez le fil de mise à la terre du luminaire au conducteur de mise à la terre du circuit d'alimentation. Fixez tous les conducteurs de terre au support de montage avec la vis vert de fixation.
3. Connectez les fils noir et blanc en référant à la table connexion câbles

ATTENTION

Fil libre ou des connexions desserrées ne doivent pas être présents. Fixer avec des connecteurs de fils certifié UL et du ruban électrique.

• INSTALLATION FINALE

1. Installer des ampoules de puissance recommandée, reportez-vous à l'étiquette de remplacement de la lampe situé en proximité de la douille.
2. Ne pas dépasser la puissance recommandée

AVERTISSEMENT

Instructions supplémentaires

Pour la fixation, utiliser les vis fournies et vérifier que le pavillon couvre complètement la boîte de sortie.

En cas de changement d'article, pas autorisé précédemment, la certification UL se terminera immédiatement.

LA CAGE 1LT DRUM PENDANT

OIL RUBBED BRONZE

#66636H591

ARHAUS®

your home

parts enclosed:

- (D) wire nuts (3)
- (E) cross bar set (1)
- (F) cross bar screws (2)
- (I) canopy (1)

important safety instructions:

1. We recommend installation by a licensed electrician.
2. To avoid the risk of fire, do not exceed the recommended wattage for this fixture.

wattage: 1x 40W
type of socket: E12

warnings:

1. Do not remove the lamp from its packaging by pulling on the power cord, as a bad connection may result.
2. To avoid the risk of fire, electrical shock, or personal injury, turn off lamp and allow it to cool prior to replacing light bulb.
3. Do not touch bulb when fixture is turned on or look directly at lit bulb.
4. Keep flammable materials away from lit bulb.

to assemble:

- Attach cross bar (E) to the ceiling junction box using the cross bar screws (F).
- Unscrew the collar ring (J).
- Insert the collar loop (H) into the canopy (I).
- Screw the collar ring (J) back.
- Attach the chandelier chain (L) to the collar loop (H) with the quick link (K).

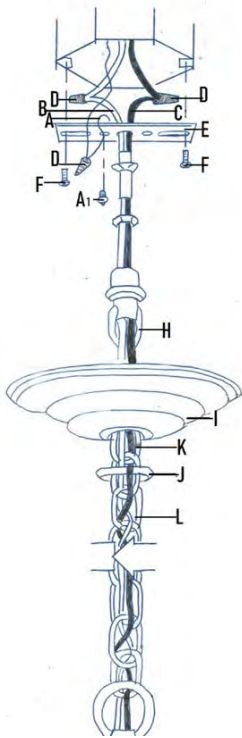
See back of the page for wiring connection details.

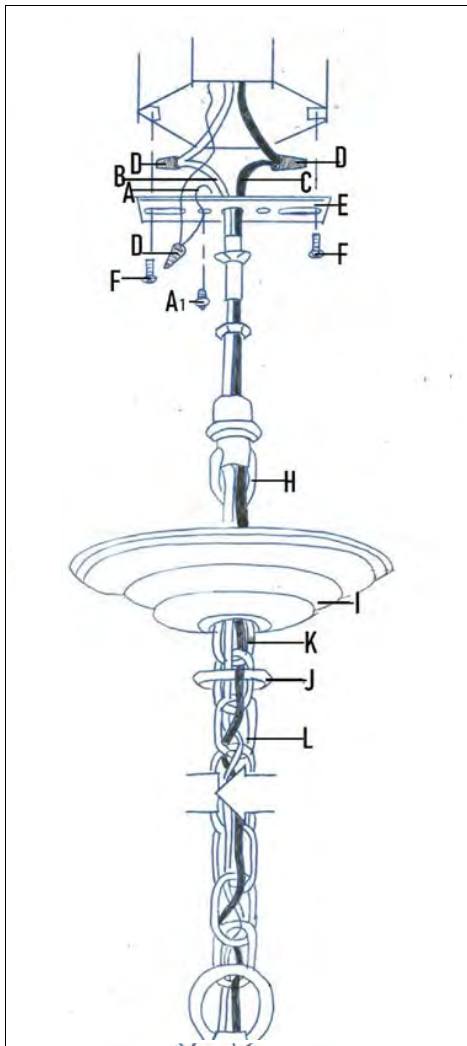
replacement parts assembly:

- To replace glass sphere (N) insert wire clip into the hole on the iron frame. Bend the wire and secure it.

care instructions:

Clean with dry soft cloth/brush only.
Do not use water/alcohol or any detergent.





INSTALLATION INSTRUCTIONS

INCANDESCENT SURFACE MOUNTED LUMINAIRES:

CAUTION

- A PERSON FAMILIAR WITH THE CONSTRUCTION AND OPERATION OF THE PRODUCT MUST INSTALL THIS PRODUCT IN ACCORDANCE WITH THE APPLICABLE INSTALLATION CODE AND THE HAZARDS INVOLVED.

WARNING

- The electricity MUST be turned off at the MAIN FUSE BOX before installation of this luminaire; turning the power off using the light switch is not sufficient to prevent electrical shock.
- Luminaires weighing 50 lbs (25 lbs for surface wall) or more must be mounted directly to the building structure, independently of the electrical box; this installation should not be made on a radiant heat type ceiling.

- If a chain-and-canopy luminaire is provided of an individual grounding conductor (bare or insulated), this shall be interwoven through the chain from the luminaire to the canopy.
- If chain-and-canopy luminaire is provided of a SPT-1 power supply cord type, this shall interwoven through the chain from the luminaire to the canopy.
- The luminaires are not intended to support external weight other than provided glasses.

- WIRE CONNECTION CHART:

Connect Black or Red (Hot) House Wire to:	Connect White (Neutral) House Wire to:
Black (Hot)	White (Neutral)
Parallel cord (round and smooth)	Parallel cord (square or ridged)
Clear, Brown, Gold or Black without tracer	Clear, Brown, Gold or Black with tracer
Insulated wire (other than green) with copper conductor	Insulated wire (other than green) with silver conductor

- ELECTRICAL CONNECTION:

- 1 Attach grounding wire (green insulated or bare copper) from the supply circuit to the mounting bracket with the green ground attachment screw. Connect the grounding wire of the luminaire to the grounding conductor of the supply circuit. Attach all grounding conductors to the mounting bracket with the green ground wire attachment screw.

- 2 Referring to the Wire Connection Chart, connect the black and white wires.

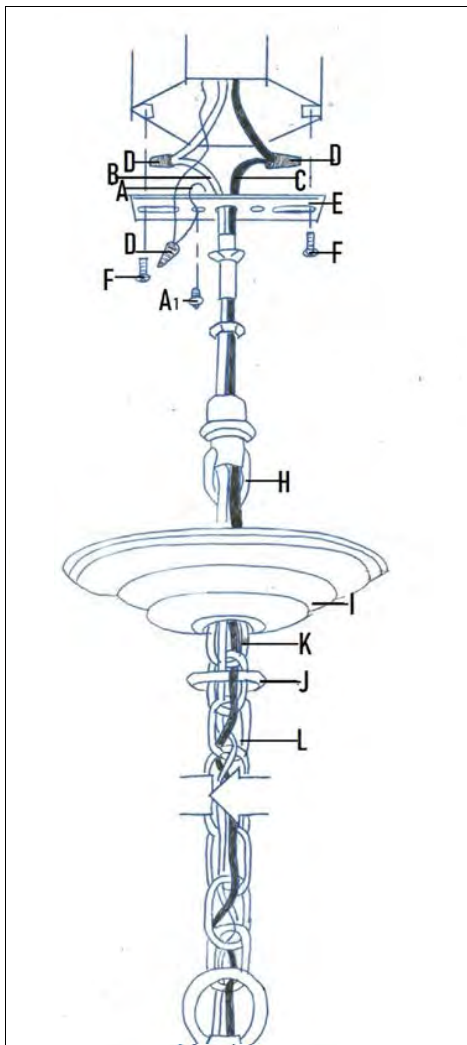
CAUTION

No loose strands or loose connections should be present. Secure with U.L. certified wire connectors and electrical tape.

- FINAL INSTRUCTION:

- 1 Install light bulbs, refer to the relamping label located near the lampholder for recommended wattage. DO NOT EXCEED THE RECOMMENDED WATTAGE.
- 2 Restore electricity and check the operation of the luminaire.

In case of change of the article, not previously authorized, the UL Certification will be terminated immediately



NOTICE DE MONTAGE PLAFONNIERES INCANDESCENTES

ATTENTION

- Le montage doit être effectué par personnes compétentes selon le code d'installation en vigueur et les risques impliqués.
- La sûreté de l'installation est soumise au correct usage des instructions suivantes

AVERTISSEMENT

- Avant d'effectuer chaque opération, couper le courant à la boîte du fusible principale. La mise hors tension grâce à l'interrupteur n'est pas suffisante pour prévenir les chocs électriques.
- Luminaires qui sont lourds 50 Lbs. Ou plus (25 Lbs. Pour appareil mur) doivent être montés directement à la structure du bâtiment, de façon indépendante de la boîte électrique; cette installation ne doit pas être fait sur un plafond avec systèmes de chauffages radiants
- Dans le cas du luminaire avec chaîne et pavillon, il faut passé les câbles a travers les maillons de la chaîne, soit s'il est équipé avec un câble conducteur de mise à la terre individuelle (nu ou isolé), soit s'il est équipé avec un câble d'alimentation SPT-1.
- Les appareils ne devraient pas porte plus de poids que celle prévue pour les verres décoratif

• TABLE CONNEXION CABLES:

Connecter le fil de la maison NOIR ou ROUGE (phase) avec:	Connecter le fil de la maison BLANC (neutre) avec:
Noir (Phase)	Blanc (neutre)
Fil parallèle (ronde et lisse)	Fil parallèle (carré ou striée)
Clair, Marron, Or ou Noir SANS traceur	Clair, Marron, or ou Noir AVEC traceur
Fil isolé (autre que Vert) avec conducteur Cuivre	Fil isolé (autre que Vert) avec conducteur Argent

• CONNEXIONS ÉLECTRIQUES

1. Fixez le fil de terre (vert isolé ou cuivre nu) du circuit d'alimentation au support de montage par la vis vert de fixation de terre fourni.
2. Connectez le fil de mise à la terre du luminaire au conducteur de mise à la terre du circuit d'alimentation. Fixez tous les conducteurs de terre au support de montage avec la vis vert de fixation.
3. Connectez les fils noir et blanc en référant à la table connexion câbles

ATTENTION

Fil libre ou des connexions desserrées ne doivent pas être présents. Fixer avec des connecteurs de fils certifié UL et du ruban électrique.

• INSTALLATION FINALE

1. Installer des ampoules de puissance recommandée, reportez-vous à l'étiquette de remplacement de la lampe situé en proximité de la douille.
2. Ne pas dépasser la puissance recommandée

AVERTISSEMENT

Instructions supplémentaires

Pour la fixation, utiliser les vis fournies et vérifier que le pavillon couvre complètement la boîte de sortie.

En cas de changement d'article, pas autorisé précédemment, la certification UL se terminera immédiatement.

LA CAGE OVAL BRONZE CHANDELIER #66636H413

ARHAUS®

your home

parts enclosed:

- C2) cross bar screws (2)
- E) wirenut (3)
- L) oval canopy (1)
- P) Locking plastic nut (1)

important safety instructions:

1. We recommend installation by a licensed electrician.
2. To avoid the risk of fire, do not exceed the recommended wattage for this fixture.

wattage: 5 X 60 W
type socket: E26

warnings:

1. Do not remove the lamp from its packaging by pulling on the power cord, as a bad connection may result.
2. To avoid the risk of fire, electrical shock, or personal injury, turn off lamp and allow it to cool prior to replacing light bulb.
3. Do not touch bulb when fixture is turned on or look directly at lit bulb.
4. Keep flammable materials away from lit bulb.

to assemble:

- Disassemble cross bar (C) and metal oval plate (F) from back of the oval canopy (L)
- Unscrew the locking plastic nut (P) from canopy (L)
- Insert wire cord through the locking plastic nut (P) and feed it through the hole in the canopy (L)
- Tighten the locking plastic nut (P)
- Tie the black wires as shown (Q).
- Attach cross bar (C) to the ceiling Junction box using the cross bar screws (C2).
- Attach the metal oval plate (F) to the cross bar (C) using the central cross bar screw (C1), washer (G) and hexnut (H).
- Attach the oval canopy (L) to the metal oval plate (F) using the canopy screws (L1).
- Attach chandelier chains to canopy hook (M).

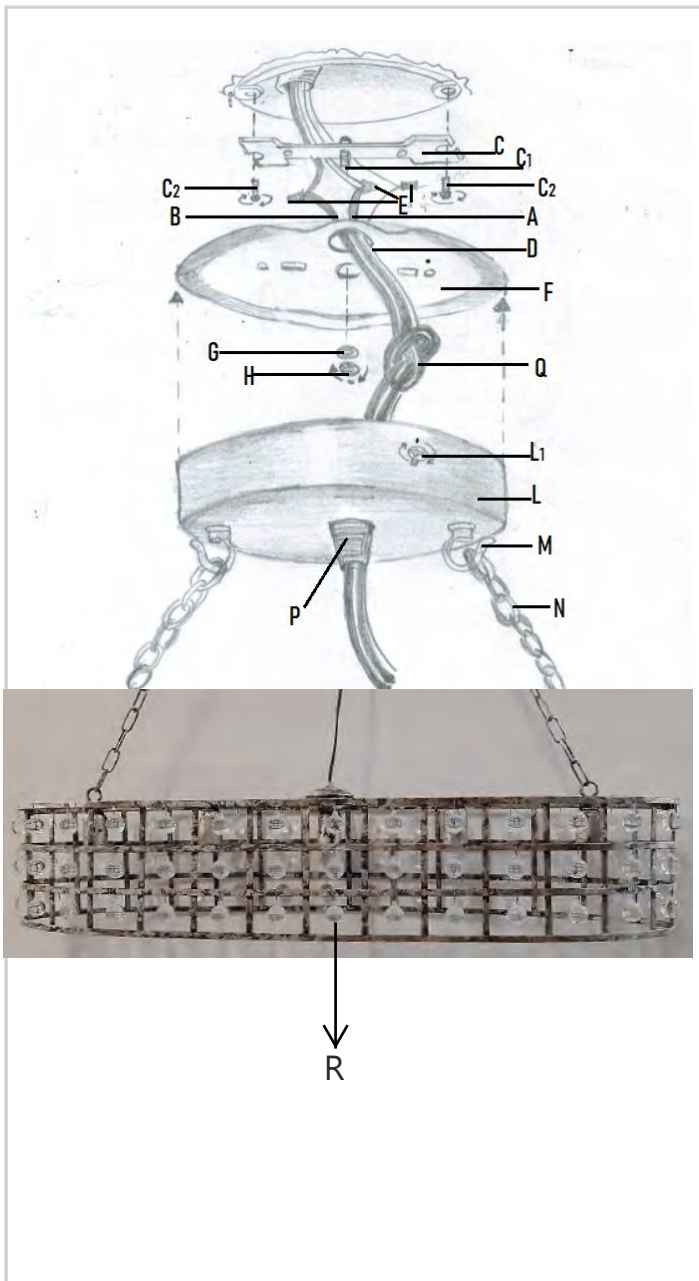
See back of the page for wiring connection details.

replacement parts assembly:

- To replace glass sphere (R), insert wire clip into the hole on the iron frame. Bend the wire and secure it.

care instructions:

- Clean with dry soft cloth/brush only.
- Do not use water/alcohol or any detergent.



INSTALLATION INSTRUCTIONS

INCANDESCENT SURFACE MOUNTED LUMINAIRES:

CAUTION

- A PERSON FAMILIAR WITH THE CONSTRUCTION AND OPERATION OF THE PRODUCT MUST INSTALL THIS PRODUCT IN ACCORDANCE WITH THE APPLICABLE INSTALLATION CODE AND THE HAZARDS INVOLVED.

WARNING

- The electricity MUST be turned off at the MAIN FUSE BOX before installation of this luminaire; turning the power off using the light switch is not sufficient to prevent electrical shock.
- Luminaires weighing 50 lbs (25 lbs for surface wall) or more must be mounted directly to the building structure, independently of the electrical box; this installation should not be made on a radiant heat type ceiling.

- If a chain-and-canopy luminaire is provided of an individual grounding conductor (bare or insulated), this shall be interwoven through the chain from the luminaire to the canopy.
- If chain-and-canopy luminaire is provided of a SPT-1 power supply cord type, this shall interwoven through the chain from the luminaire to the canopy.
- The luminaires are not intended to support external weight other than provided glasses.

- WIRE CONNECTION CHART:

Connect Black or Red (Hot) House Wire to:	Connect White (Neutral) House Wire to:
Black (Hot)	White (Neutral)
Parallel cord (round and smooth)	Parallel cord (square or ridged)
Clear, Brown, Gold or Black without tracer	Clear, Brown, Gold or Black with tracer
Insulated wire (other than green) with copper conductor	Insulated wire (other than green) with silver conductor

- ELECTRICAL CONNECTION:

- 1 Attach grounding wire (green insulated or bare copper) from the supply circuit to the mounting bracket with the green ground attachment screw provided. Connect the grounding wire of the luminaire to the grounding conductor of the supply circuit. Attach all grounding conductors to the mounting bracket with the green ground wire attachment screw.
- 2 Referring to the Wire Connection Chart, connect the black and white wires.

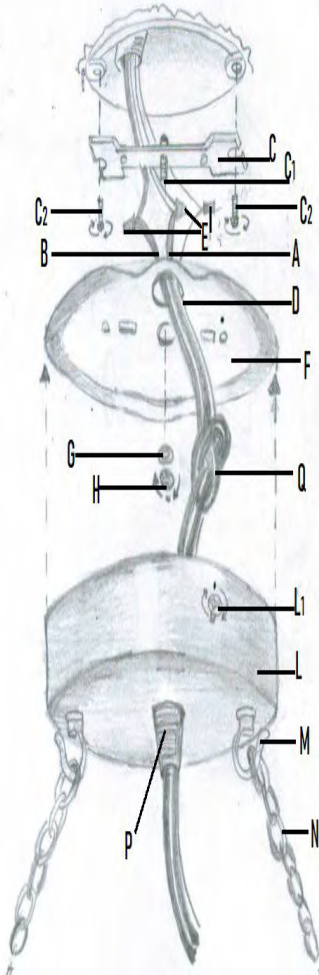
CAUTION

No loose strands or loose connections should be present. Secure with U.L. certified wire connectors and electrical tape.

- FINAL INSTRUCTION:

- 1 Install light bulbs, refer to the relamping label located near the lampholder for recommended wattage. DO NOT EXCEED THE RECOMMENDED WATTAGE.
- 2 Restore electricity and check the operation of the luminaire.

In case of change of the article, not previously authorized, the UL Certification will be terminated immediately



NOTICE DE MONTAGE PLAFONNIERES INCANDESCENTS

ATTENTION

- Le montage doit être effectué par personnes compétentes selon le code d'installation en vigueur et les risques impliqués.
- La sûreté de l'installation est soumise au correct usage des instructions suivantes

AVERTISSEMENT

- Avant d'effectuer chaque opération, couper le courant à la boîte du fusible principale. La mise hors tension grâce à l'interrupteur n'est pas suffisante pour prévenir les chocs électriques.
- Luminaires qui sont lourds 50 Lbs. Ou plus (25 Lbs. Pour appareil mur) doivent être montés directement à la structure du bâtiment, de façon indépendante de la boîte électrique; cette installation ne doit pas être fait sur un plafond avec systèmes de chauffages radiants
- Dans le cas du luminaire avec chaîne et pavillon, il faut passé les câbles a travers les maillons de la chaîne, soit s'il est équipé avec un câble conducteur de mise à la terre individuelle (nu ou isolé), soit s'il est équipé avec un câble d'alimentation SPT-1.
- Les appareils ne devraient pas porte plus de poids que celle prévue pour les verres décoratif

• TABLE CONNEXION CABLES:

Connecter le fil de la maison NOIR ou ROUGE (phase) avec:	Connecter le fil de la maison BLANC (neutre) avec:
Noir (Phase)	Blanc (neutre)
Fil parallèle (ronde et lisse)	Fil parallèle (carré ou striée)
Clair, Marron, Or ou Noir SANS traceur	Clair, Marron, or ou Noir AVEC traceur
Fil isolé (autre que Vert) avec conducteur Cuivre	Fil isolé (autre que Vert) avec conducteur Argent

• CONNEXIONS ÉLECTRIQUES

1. Fixez le fil de terre (vert isolé ou cuivre nu) du circuit d'alimentation au support de montage par la vis vert de fixation de terre fourni.
2. Connectez le fil de mise à la terre du luminaire au conducteur de mise à la terre du circuit d'alimentation. Fixez tous les conducteurs de terre au support de montage avec la vis vert de fixation.
3. Connectez les fils noir et blanc en référant à la table connexion câbles

ATTENTION

Fil libre ou des connexions desserrées ne doivent pas être présents. Fixer avec des connecteurs de fils certifié UL et du ruban électrique.

• INSTALLATION FINALE

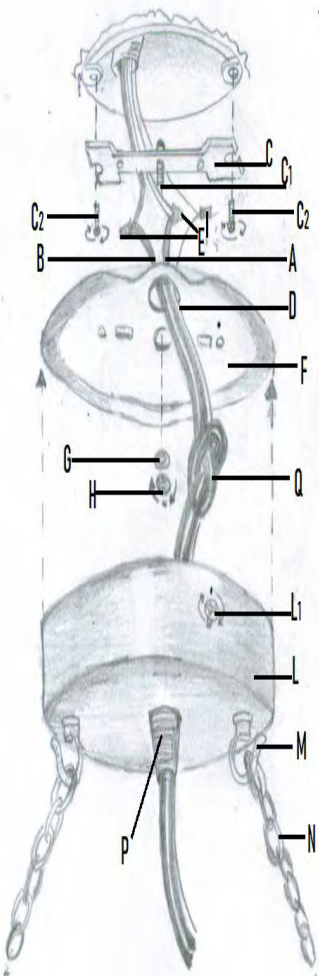
1. Installer des ampoules de puissance recommandée, reportez-vous à l'étiquette de remplacement de la lampe situé en proximité de la douille.
2. Ne pas dépasser la puissance recommandée

AVERTISSEMENT

Instructions supplémentaires

Pour la fixation, utiliser les vis fournies et vérifier que le pavillon couvre complètement la boîte de sortie.

In case of change of article, not previously authorized, the UL Certification will be terminated immediately.



LA CAGE OVAL SILVER/CLAY CHANDELIER

#66636H412

ARHAUS®

your home

parts enclosed:

- C2) cross bar screws (2)
- E) wirenut (3)
- L) oval canopy (1)
- P) Locking plastic nut (1)

important safety instructions:

1. We recommend installation by a licensed electrician.
2. To avoid the risk of fire, do not exceed the recommended wattage for this fixture.

wattage: 5 X 60 W
type socket: E26

warnings:

1. Do not remove the lamp from its packaging by pulling on the power cord, as a bad connection may result.
2. To avoid the risk of fire, electrical shock, or personal injury, turn off lamp and allow it to cool prior to replacing light bulb.
3. Do not touch bulb when fixture is turned on or look directly at lit bulb.
4. Keep flammable materials away from lit bulb.

to assemble:

- Disassemble cross bar (C) and metal oval plate (F) from back of the oval canopy (L)
- Unscrew the locking plastic nut (P) from canopy (L)
- Insert wire cord through the locking plastic nut (P) and feed it through the hole in the canopy (L)
- Tighten the locking plastic nut (P)
- Tie the black wires as shown (Q).
- Attach cross bar (C) to the ceiling Junction box using the cross bar screws (C2).
- Attach the metal oval plate (F) to the cross bar (C) using the central cross bar screw (C1), washer (G) and hexnut (H).
- Attach the oval canopy (L) to the metal oval plate (F) using the canopy screws (L1).
- Attach chandelier chains to canopy hook (M).

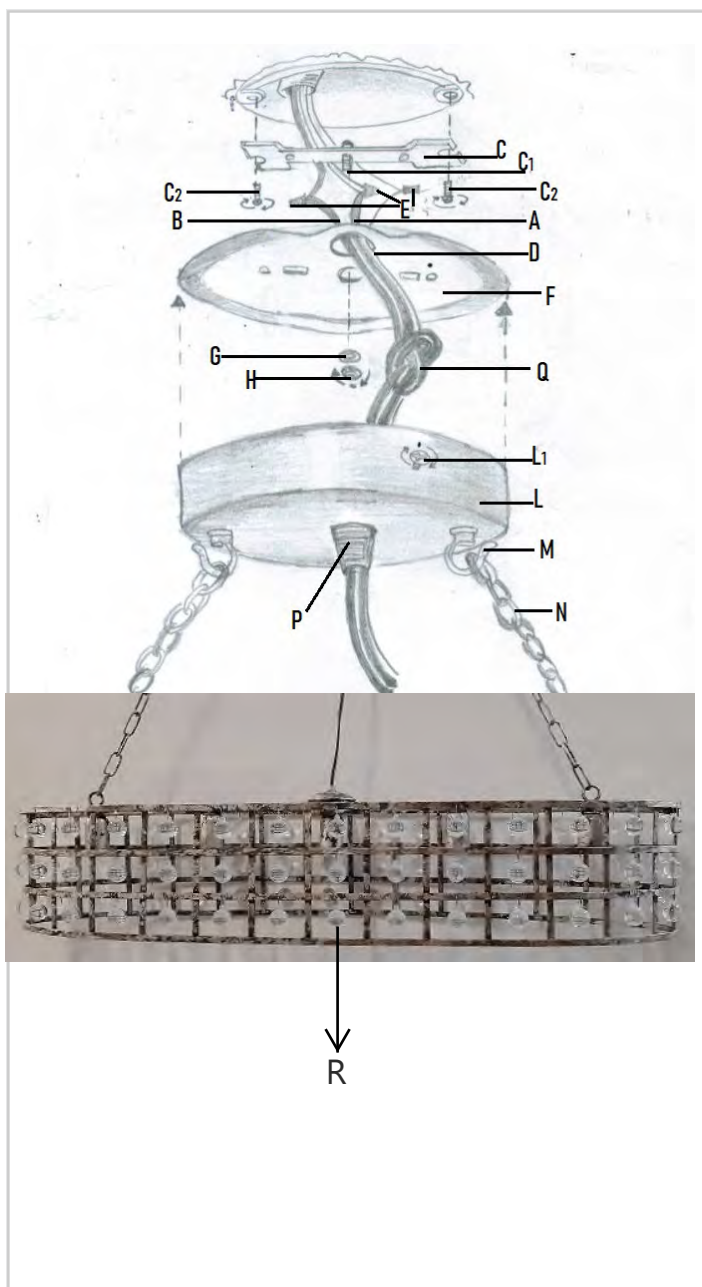
See back of the page for wiring connection details.

replacement parts assembly:

- To replace glass sphere (R), insert wire clip into the hole on the iron frame. Bend the wire and secure it.

care instructions:

- Clean with dry soft cloth/brush only.
- Do not use water/alcohol or any detergent.



INSTALLATION INSTRUCTIONS

INCANDESCENT SURFACE MOUNTED LUMINAIRES:

CAUTION

- A PERSON FAMILIAR WITH THE CONSTRUCTION AND OPERATION OF THE PRODUCT MUST INSTALL THIS PRODUCT IN ACCORDANCE WITH THE APPLICABLE INSTALLATION CODE AND THE HAZARDS INVOLVED.

WARNING

- The electricity MUST be turned off at the MAIN FUSE BOX before installation of this luminaire; turning the power off using the light switch is not sufficient to prevent electrical shock.
- Luminaires weighing 50 lbs (25 lbs for surface wall) or more must be mounted directly to the building structure, independently of the electrical box; this installation should not be made on a radiant heat type ceiling.

- If a chain-and-canopy luminaire is provided of an individual grounding conductor (bare or insulated), this shall be interwoven through the chain from the luminaire to the canopy.
- If chain-and-canopy luminaire is provided of a SPT-1 power supply cord type, this shall interwoven through the chain from the luminaire to the canopy.
- The luminaires are not intended to support external weight other than provided glasses.

- WIRE CONNECTION CHART:

Connect Black or Red (Hot) House Wire to:	Connect White (Neutral) House Wire to:
Black (Hot)	White (Neutral)
Parallel cord (round and smooth)	Parallel cord (square or ridged)
Clear, Brown, Gold or Black without tracer	Clear, Brown, Gold or Black with tracer
Insulated wire (other than green) with copper conductor	Insulated wire (other than green) with silver conductor

- ELECTRICAL CONNECTION:

- 1 Attach grounding wire (green insulated or bare copper) from the supply circuit to the mounting bracket with the green ground attachment screw provided. Connect the grounding wire of the luminaire to the grounding conductor of the supply circuit. Attach all grounding conductors to the mounting bracket with the green ground wire attachment screw.
- 2 Referring to the Wire Connection Chart, connect the black and white wires.

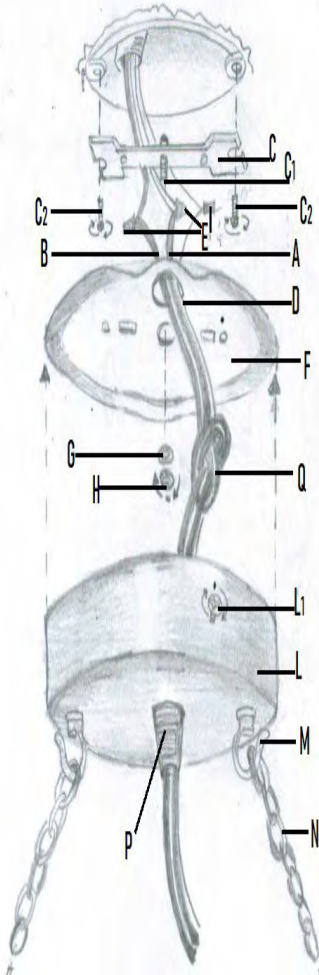
CAUTION

No loose strands or loose connections should be present. Secure with U.L. certified wire connectors and electrical tape.

- FINAL INSTRUCTION:

- 1 Install light bulbs, refer to the relamping label located near the lampholder for recommended wattage. DO NOT EXCEED THE RECOMMENDED WATTAGE.
- 2 Restore electricity and check the operation of the luminaire.

In case of change of the article, not previously authorized, the UL Certification will be terminated immediately



NOTICE DE MONTAGE PLAFONNIERES INCANDESCENTS

ATTENTION

- Le montage doit être effectué par personnes compétentes selon le code d'installation en vigueur et les risques impliqués.
- La sûreté de l'installation est soumise au correct usage des instructions suivantes

AVERTISSEMENT

- Avant d'effectuer chaque opération, couper le courant à la boîte du fusible principale. La mise hors tension grâce à l'interrupteur n'est pas suffisante pour prévenir les chocs électriques.
- Luminaires qui sont lourds 50 Lbs. Ou plus (25 Lbs. Pour appareil mur) doivent être montés directement à la structure du bâtiment, de façon indépendante de la boîte électrique; cette installation ne doit pas être fait sur un plafond avec systèmes de chauffages radiants
- Dans le cas du luminaire avec chaîne et pavillon, il faut passé les câbles a travers les maillons de la chaîne, soit s'il est équipé avec un câble conducteur de mise à la terre individuelle (nu ou isolé), soit s'il est équipé avec un câble d'alimentation SPT-1.
- Les appareils ne devraient pas porte plus de poids que celle prévue pour les verres décoratif

• TABLE CONNEXION CABLES:

Connecter le fil de la maison NOIR ou ROUGE (phase) avec:	Connecter le fil de la maison BLANC (neutre) avec:
Noir (Phase)	Blanc (neutre)
Fil parallèle (ronde et lisse)	Fil parallèle (carré ou striée)
Clair, Marron, Or ou Noir SANS traceur	Clair, Marron, or ou Noir AVEC traceur
Fil isolé (autre que Vert) avec conducteur Cuivre	Fil isolé (autre que Vert) avec conducteur Argent

• CONNEXIONS ÉLECTRIQUES

1. Fixez le fil de terre (vert isolé ou cuivre nu) du circuit d'alimentation au support de montage par la vis vert de fixation de terre fourni.
2. Connectez le fil de mise à la terre du luminaire au conducteur de mise à la terre du circuit d'alimentation. Fixez tous les conducteurs de terre au support de montage avec la vis vert de fixation.
3. Connectez les fils noir et blanc en référant à la table connexion câbles

ATTENTION

Fil libre ou des connexions desserrées ne doivent pas être présents. Fixer avec des connecteurs de fils certifié UL et du ruban électrique.

• INSTALLATION FINALE

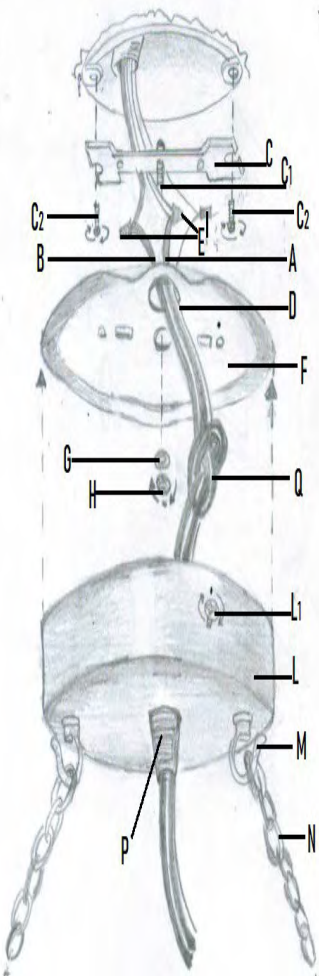
1. Installer des ampoules de puissance recommandée, reportez-vous à l'étiquette de remplacement de la lampe situé en proximité de la douille.
2. Ne pas dépasser la puissance recommandée

AVERTISSEMENT

Instructions supplémentaires

Pour la fixation, utiliser les vis fournies et vérifier que le pavillon couvre complètement la boîte de sortie.

En cas de changement d'article, pas autorisé précédemment, la certification UL se terminera immédiatement.



LA CAGE SILVER CLAY 9-LT RECT #66636H408

ARHAUS®

your home

parts enclosed:

- C2) cross bar screws (2)
- E) wirenut (3)
- L) oval canopy (1)
- P) Locking plastic nut (1)

important safety instructions:

1. We recommend installation by a licensed electrician.
2. To avoid the risk of fire, do not exceed the recommended wattage for this fixture.

wattage: 5 X 60 W
type socket: E26

warnings:

1. Do not remove the lamp from its packaging by pulling on the power cord, as a bad connection may result.
2. To avoid the risk of fire, electrical shock, or personal injury, turn off lamp and allow it to cool prior to replacing light bulb.
3. Do not touch bulb when fixture is turned on or look directly at lit bulb.
4. Keep flammable materials away from lit bulb.

to assemble:

- Disassemble cross bar (C) and metal oval plate (F) from back of the oval canopy (L)
- Unscrew the locking plastic nut (P) from canopy (L)
- Insert wire cord through the locking plastic nut (P) and feed it through the hole in the canopy (L)
- Tighten the locking plastic nut (P)
- Tie the black wires as shown (Q).
- Attach cross bar (C) to the ceiling Junction box using the cross bar screws (C2).
- Attach the metal oval plate (F) to the cross bar (C) using the central cross bar screw (C1), washer (G) and hexnut (H).
- Attach the oval canopy (L) to the metal oval plate (F) using the canopy screws (L1).
- Attach chandelier chains to canopy hook (M).

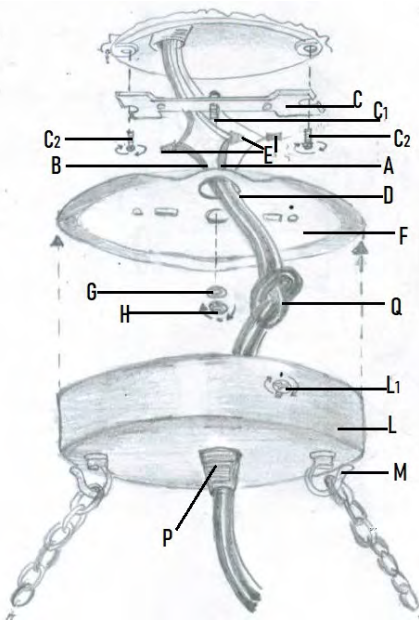
See back of the page for wiring connection details.

replacement parts assembly:

- To replace glass sphere (R) insert wire clip into the hole on the iron frame. Bend the wire and secure it.

care instructions:

- Clean with dry soft cloth/brush only.
- Do not use water/alcohol or any detergent.



R

INSTALLATION INSTRUCTIONS

INCANDESCENT SURFACE MOUNTED LUMINAIRES:

CAUTION

- A PERSON FAMILIAR WITH THE CONSTRUCTION AND OPERATION OF THE PRODUCT MUST INSTALL THIS PRODUCT IN ACCORDANCE WITH THE APPLICABLE INSTALLATION CODE AND THE HAZARDS INVOLVED.

WARNING

- The electricity MUST be turned off at the MAIN FUSE BOX before installation of this luminaire; turning the power off using the light switch is not sufficient to prevent electrical shock.
- Luminaires weighing 50 lbs (25 lbs for surface wall) or more must be mounted directly to the building structure, independently of the electrical box; this installation should not be made on a radiant heat type ceiling.

- If a chain-and-canopy luminaire is provided of an individual grounding conductor (bare or insulated), this shall be interwoven through the chain from the luminaire to the canopy.
- If chain-and-canopy luminaire is provided of a SPT-1 power supply cord type, this shall interwoven through the chain from the luminaire to the canopy.
- The luminaire are not intended to support external weight other than provided glasses.

- WIRE CONNECTION CHART:

Connect Black or Red (Hot) House Wire to:	Connect White (Neutral) House Wire to:
Black (Hot)	White (Neutral)
Parallel cord (round and smooth)	Parallel cord (square or ridged)
Clear, Brown, Gold or Black without tracer	Clear, Brown, Gold or Black with tracer
Insulated wire (other than green) with copper conductor	Insulated wire (other than green) with silver conductor

- ELECTRICAL CONNECTION:

1 Attach grounding wire (green insulated or bare copper) from the supply circuit to the mounting bracket with the green ground attachment screw provided. Connect the grounding wire of the luminaire to the grounding conductor of the supply circuit. Attach all grounding conductors to the mounting bracket with the green ground wire attachment screw.

2 Referring to the Wire Connection Chart, connect the black and white wires.

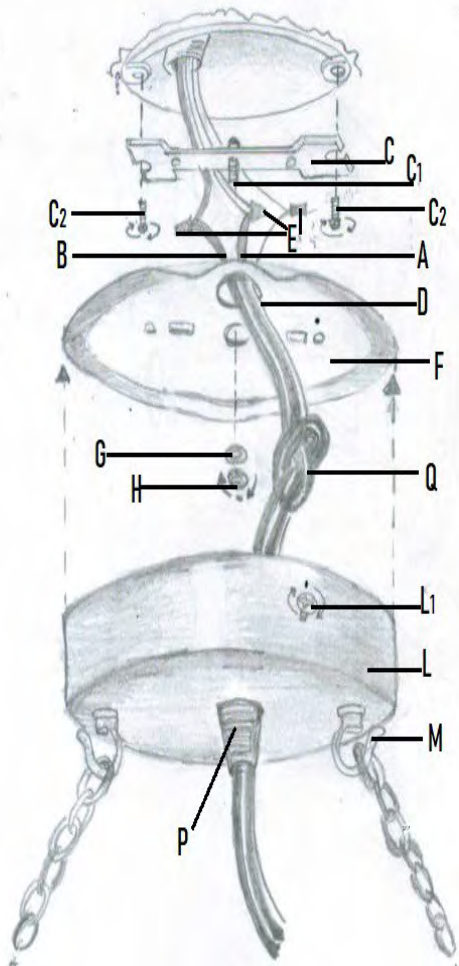
CAUTION

No loose strands or loose connections should be present. Secure with U.L. certified wire connectors and electrical tape.

- FINAL INSTRUCTION:

- 1 Install light bulbs, refer to the relamping label located near the lampholder for recommended wattage. **DO NOT EXCEED THE RECOMMENDED WATTAGE.**
- 2 Restore electricity and check the operation of the luminaire.

In case of change of the article, not previously authorized, the UL Certification will be terminated immediately



NOTICE DE MONTAGE PLAFONNIERES INCANDESCENTS

ATTENTION

- Le montage doit être effectué par personnes compétentes selon le code d'installation en vigueur et les risques impliqués.
- La sûreté de l'installation est soumise au correct usage des instructions suivantes

AVERTISSEMENT

- Avant d'effectuer chaque opération, couper le courant à la boîte du fusible principale. La mise hors tension grâce à l'interrupteur n'est pas suffisante pour prévenir les chocs électriques.
- Luminaires qui sont lourds 50 Lbs. Ou plus (25 Lbs. Pour appareil mur) doivent être montés directement à la structure du bâtiment, de façon indépendante de la boîte électrique; cette installation ne doit pas être fait sur un plafond avec systèmes de chauffages radiants
- Dans le cas du luminaire avec chaîne et pavillon, il faut passé les câbles a travers les maillons de la chaîne, soit s'il est équipé avec un câble conducteur de mise à la terre individuelle (nu ou isolé), soit s'il est équipé avec un câble d'alimentation SPT-1.
- Les appareils ne devraient pas porte plus de poids que celle prévue pour les verres décoratif

• TABLE CONNEXION CABLES:

Connecter le fil de la maison NOIR ou ROUGE (phase) avec:	Connecter le fil de la maison BLANC (neutre) avec:
Noir (Phase)	Blanc (neutre)
Fil parallèle (ronde et lisse)	Fil parallèle (carré ou striée)
Clair, Marron, Or ou Noir SANS traceur	Clair, Marron, or ou Noir AVEC traceur
Fil isolé (autre que Vert) avec conducteur Cuivre	Fil isolé (autre que Vert) avec conducteur Argent

• CONNEXIONS ÉLECTRIQUES

1. Fixez le fil de terre (vert isolé ou cuivre nu) du circuit d'alimentation au support de montage par la vis vert de fixation de terre fourni.
2. Connectez le fil de mise à la terre du luminaire au conducteur de mise à la terre du circuit d'alimentation. Fixez tous les conducteurs de terre au support de montage avec la vis vert de fixation.
3. Connectez les fils noir et blanc en référant à la table connexion câbles

ATTENTION

Fil libre ou des connexions desserrées ne doivent pas être présents. Fixer avec des connecteurs de fils certifié UL et du ruban électrique.

• INSTALLATION FINALE

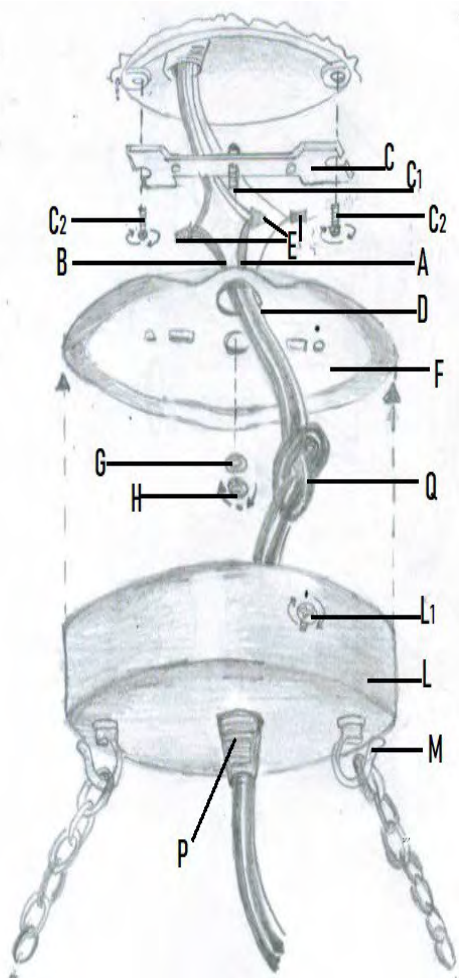
1. Installer des ampoules de puissance recommandée, reportez-vous à l'étiquette de remplacement de la lampe situé en proximité de la douille.
2. Ne pas dépasser la puissance recommandée

AVERTISSEMENT

Instructions supplémentaires

Pour la fixation, utiliser les vis fournies et vérifier que le pavillon couvre complètement la boîte de sortie.

En cas de changement d'article, pas autorisé précédemment, la certification UL se terminera immédiatement.



LA CAGE SILVER CLY 12-LT CHANDELIER #66636H410

ARHAUS®

your home

parts enclosed:

- (B) Cross bar screws (2)
- (H) wire nuts (3)

important safety instructions:

1. We recommend installation by a licensed electrician.
2. To avoid the risk of fire, do not exceed the recommended wattage for this fixture.
wattage: 3 x 40W
type of socket: E12

warnings:

1. Do not remove the lamp from its packaging by pulling on the power cord, as a bad connection may result.
2. To avoid the risk of fire, electrical shock, or personal injury, turn off lamp and allow it to cool prior to replacing light bulb.
3. Do not touch bulb when fixture is turned on or look directly at lit bulb.
4. Keep flammable materials away from lit bulb.

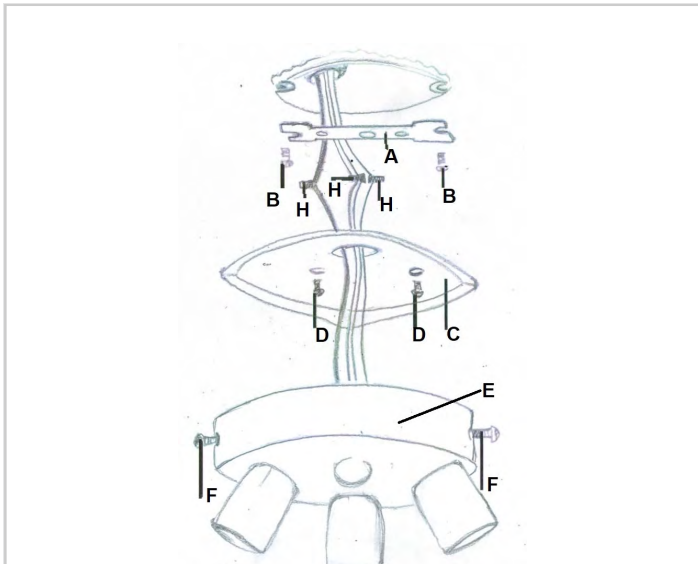
to assemble:

- Disassemble metal box cover(C) and cross bar(A) from back of the flushmount.
- Attach the cross bar(A) to the electrical box using the cross bar screws (B).
- Attach the metal box cover (C) to the cross bar (A) using the metal box cover screws (D).
- Attach the box of the flushmount (E) to the metal box cover (C) using the screws (F).

See back of the page for wiring connection details

replacement parts assembly:

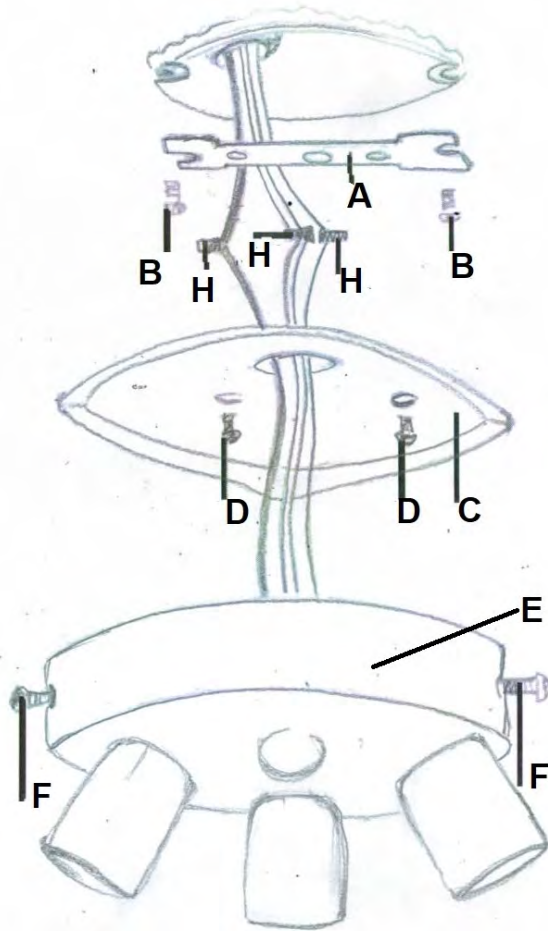
- To replace glass sphere (N) insert wire clip into the hole on the iron frame. Bend the wire and secure it.



N

care instructions:

Clean with dry soft cloth/brush only.
Do not use water/alcohol or any detergent.



INSTALLATION INSTRUCTIONS

INCANDESCENT SURFACE MOUNTED LUMINAIRES:

CAUTION

- A PERSON FAMILIAR WITH THE CONSTRUCTION AND OPERATION OF THE PRODUCT MUST INSTALL THIS PRODUCT IN ACCORDANCE WITH THE APPLICABLE INSTALLATION CODE AND THE HAZARDS INVOLVED.

WARNING

- The electricity MUST be turned off at the MAIN FUSE BOX before installation of this luminaire; turning the power off using the light switch is not sufficient to prevent electrical shock.
- Luminaires weighing 50 lbs (25 lbs for surface wall) or more must be mounted directly to the building structure, independently of the electrical box; this installation should not be made on a radiant heat type ceiling.

- If a chain-and-canopy luminaire is provided of an individual grounding conductor (bare or insulated), this shall be interwoven through the chain from the luminaire to the canopy.
- If chain-and-canopy luminaire is provided of a SPT-1 power supply cord type, this shall interwoven through the chain from the luminaire to the canopy.
- The luminaire are not intended to support external weight other than provided glasses.

- WIRE CONNECTION CHART:

Connect Black or Red (Hot) House Wire to:	Connect White (Neutral) House Wire to:
Black (Hot)	White (Neutral)
Parallel cord (round and smooth)	Parallel cord (square or ridged)
Clear, Brown, Gold or Black without tracer	Clear, Brown, Gold or Black with tracer
Insulated wire (other than green) with copper conductor	Insulated wire (other than green) with silver conductor

- ELECTRICAL CONNECTION:

- 1 Attach grounding wire (green insulated or bare copper) from the supply circuit to the mounting bracket with the green ground attachment screw provided. Connect the grounding wire of the luminaire to the grounding conductor of the supply circuit. Attach all grounding conductors to the mounting bracket with the green ground wire attachment screw.
- 2 Referring to the Wire Connection Chart, connect the black and white wires.

CAUTION

No loose strands or loose connections should be present. Secure with U.L. certified wire connectors and electrical tape.

- FINAL INSTRUCTION:

- 1 Install light bulbs; refer to the relamping label located near the lampholder for recommended wattage. DO NOT EXCEED THE RECOMMENDED WATTAGE.
- 2 Restore electricity and check the operation of the luminaire.

In case of change of the article, not previously authorized, the UL Certification will be terminated immediately

NOTICE DE MONTAGE PLAFONNIERES INCANDESCENTS ATTENTION

- Le montage doit être effectué par personnes compétentes selon le code d'installation en vigueur et les risques impliqués.
- La sûreté de l'installation est soumise au correct usage des instructions suivantes

AVERTISSEMENT

- Avant d'effectuer chaque opération, couper le courant à la boîte du fusible principale. La mise hors tension grâce à l'interrupteur n'est pas suffisante pour prévenir les chocs électriques.
- Luminaires qui sont lourds 50 Lbs. Ou plus (25 Lbs. Pour appareil mur) doivent être montés directement à la structure du bâtiment, de façon indépendante de la boîte électrique; cette installation ne doit pas être fait sur un plafond avec systèmes de chauffages radiants
- Dans le cas du luminaire avec chaîne et pavillon, il faut passé les câbles a travers les maillons de la chaîne, soit s'il est équipé avec un câble conducteur de mise à la terre individuelle (nu ou isolé), soit s'il est équipé avec un câble d'alimentation SPT-1.
- Les appareils ne devraient pas porte plus de poids que celle prévue pour les verres décoratif

• TABLE CONNEXION CABLES:

Connecter le fil de la maison NOIR ou ROUGE (phase) avec:	Connecter le fil de la maison BLANC (neutre) avec:
Noir (Phase)	Blanc (neutre)
Fil parallèle (ronde et lisse)	Fil parallèle (carré ou striée)
Clair, Marron, Or ou Noir SANS traceur	Clair, Marron, or ou Noir AVEC traceur
Fil isolé (autre que Vert) avec conducteur Cuivre	Fil isolé (autre que Vert) avec conducteur Argent

• CONNEXIONS ÉLECTRIQUES

1. Fixez le fil de terre (vert isolé ou cuivre nu) du circuit d'alimentation au support de montage par la vis vert de fixation de terre fourni.
2. Connectez le fil de mise à la terre du luminaire au conducteur de mise à la terre du circuit d'alimentation. Fixez tous les conducteurs de terre au support de montage avec la vis vert de fixation.
3. Connectez les fils noir et blanc en référant à la table connexion câbles

ATTENTION

Fil libre ou des connexions desserrées ne doivent pas être présents. Fixer avec des connecteurs de fils certifié UL et du ruban électrique.

• INSTALLATION FINALE

1. Installer des ampoules de puissance recommandée, reportez-vous à l'étiquette de remplacement de la lampe situé en proximité de la douille.
2. Ne pas dépasser la puissance recommandée

AVERTISSEMENT

Instructions supplémentaires

Pour la fixation, utiliser les vis fournies et vérifier que le pavillon couvre complètement la boîte de sortie.

En cas de changement d'article, pas autorisé précédemment, la certification UL se terminera immédiatement.

LA CAGE 1LT TALL PENDANT SILVER/CLAY #66636H588

ARHAUS®

your home

parts enclosed:

- (D) wire nuts (3)
- (E) cross bar set (1)
- (F) cross bar screws (2)
- (I) canopy (1)

important safety instructions:

1. We recommend installation by a licensed electrician.
2. To avoid the risk of fire, do not exceed the recommended wattage for this fixture.

wattage: 1x 40W
type of socket: E12

warnings:

1. Do not remove the lamp from its packaging by pulling on the power cord, as a bad connection may result.
2. To avoid the risk of fire, electrical shock, or personal injury, turn off lamp and allow it to cool prior to replacing light bulb.
3. Do not touch bulb when fixture is turned on or look directly at lit bulb.
4. Keep flammable materials away from lit bulb.

to assemble:

- Attach cross bar (E) to the ceiling junction box using the cross bar screws (F).
- Unscrew the collar ring (J).
- Insert the collar loop (H) into the canopy (I).
- Screw the collar ring (J) back.
- Attach the chandelier chain (L) to the collar loop (H) with the quick link (K).

See back of the page for wiring connection details.

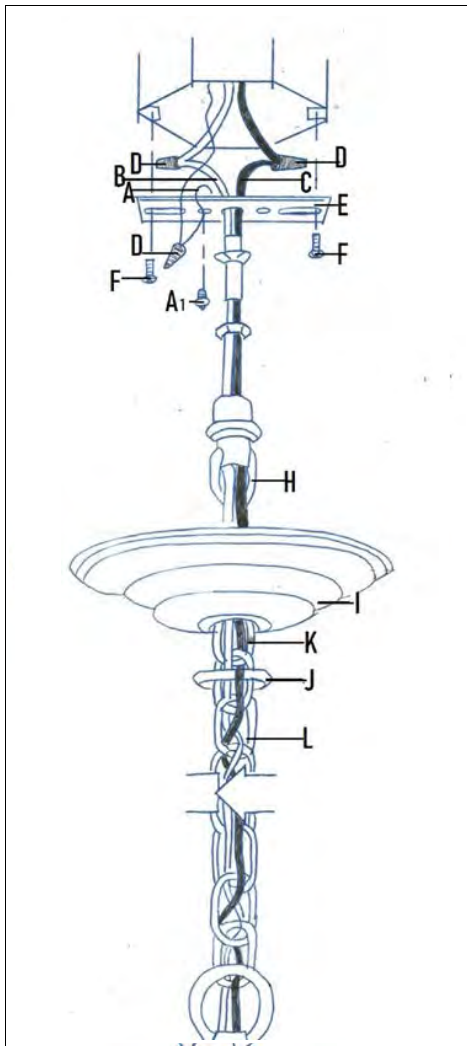
replacement parts assembly:

- To replace glass sphere (N) insert wire clip into the hole on the iron frame. Bend the wire and secure it.

care instructions:

Clean with dry soft cloth/brush only.
Do not use water/alcohol or any detergent.





INSTALLATION INSTRUCTIONS

INCANDESCENT SURFACE MOUNTED LUMINAIRES:

CAUTION

- A PERSON FAMILIAR WITH THE CONSTRUCTION AND OPERATION OF THE PRODUCT MUST INSTALL THIS PRODUCT IN ACCORDANCE WITH THE APPLICABLE INSTALLATION CODE AND THE HAZARDS INVOLVED.

WARNING

- The electricity MUST be turned off at the MAIN FUSE BOX before installation of this luminaire; turning the power off using the light switch is not sufficient to prevent electrical shock.
- Luminaires weighing 50 lbs (25 lbs for surface wall) or more must be mounted directly to the building structure, independently of the electrical box; this installation should not be made on a radiant heat type ceiling.

- If a chain-and-canopy luminaire is provided of an individual grounding conductor (bare or insulated), this shall be interwoven through the chain from the luminaire to the canopy.
- If chain-and-canopy luminaire is provided of a SPT-1 power supply cord type, this shall interwoven through the chain from the luminaire to the canopy.
- The luminaires are not intended to support external weight other than provided glasses.

- WIRE CONNECTION CHART:

Connect Black or Red (Hot) House Wire to:	Connect White (Neutral) House Wire to:
Black (Hot)	White (Neutral)
Parallel cord (round and smooth)	Parallel cord (square or ridged)
Clear, Brown, Gold or Black without tracer	Clear, Brown, Gold or Black with tracer
Insulated wire (other than green) with copper conductor	Insulated wire (other than green) with silver conductor

- ELECTRICAL CONNECTION:

1 Attach grounding wire (green insulated or bare copper) from the supply circuit to the mounting bracket with the green ground attachment screw. Connect the grounding wire of the luminaire to the grounding conductor of the supply circuit. Attach all grounding conductors to the mounting bracket with the green ground wire attachment screw.

2 Referring to the Wire Connection Chart, connect the black and white wires.

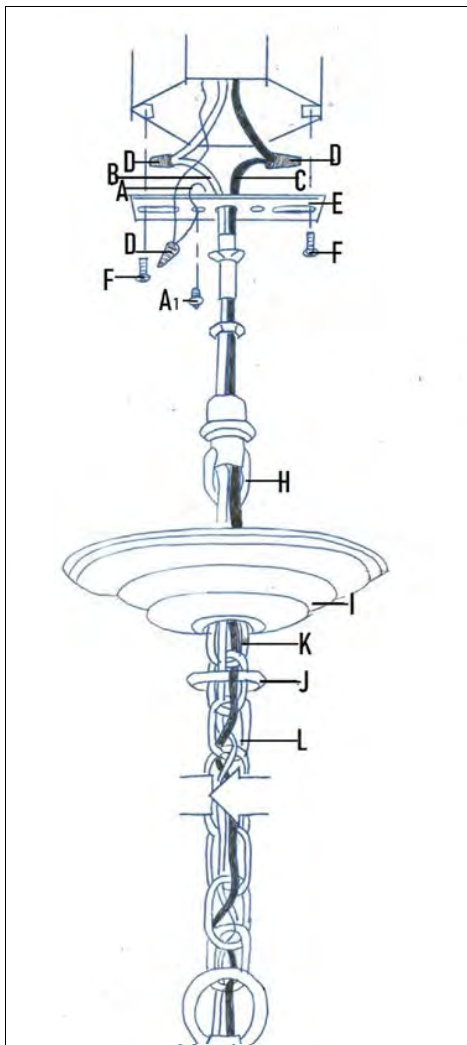
CAUTION

No loose strands or loose connections should be present. Secure with U.L. certified wire connectors and electrical tape.

- FINAL INSTRUCTION:

- 1 Install light bulbs, refer to the relamping label located near the lampholder for recommended wattage. DO NOT EXCEED THE RECOMMENDED WATTAGE.
- 2 Restore electricity and check the operation of the luminaire.

In case of change of the article, not previously authorized, the UL Certification will be terminated immediately



NOTICE DE MONTAGE PLAFONNIERES INCANDESCENTES

ATTENTION

- Le montage doit être effectué par personnes compétentes selon le code d'installation en vigueur et les risques impliqués.
- La sûreté de l'installation est soumise au correct usage des instructions suivantes

AVERTISSEMENT

- Avant d'effectuer chaque opération, couper le courant à la boîte du fusible principale. La mise hors tension grâce à l'interrupteur n'est pas suffisante pour prévenir les chocs électriques.
- Luminaires qui sont lourds 50 Lbs. Ou plus (25 Lbs. Pour appareil mur) doivent être montés directement à la structure du bâtiment, de façon indépendante de la boîte électrique; cette installation ne doit pas être fait sur un plafond avec systèmes de chauffages radiants
- Dans le cas du luminaire avec chaîne et pavillon, il faut passé les câbles a travers les maillons de la chaîne, soit s'il est équipé avec un câble conducteur de mise à la terre individuelle (nu ou isolé), soit s'il est équipé avec un câble d'alimentation SPT-1.
- Les appareils ne devraient pas porte plus de poids que celle prévue pour les verres décoratif

• TABLE CONNEXION CABLES:

Connecter le fil de la maison NOIR ou ROUGE (phase) avec:	Connecter le fil de la maison BLANC (neutre) avec:
Noir (Phase)	Blanc (neutre)
Fil parallèle (ronde et lisse)	Fil parallèle (carré ou striée)
Clair, Marron, Or ou Noir SANS traceur	Clair, Marron, or ou Noir AVEC traceur
Fil isolé (autre que Vert) avec conducteur Cuivre	Fil isolé (autre que Vert) avec conducteur Argent

• CONNEXIONS ÉLECTRIQUES

1. Fixez le fil de terre (vert isolé ou cuivre nu) du circuit d'alimentation au support de montage par la vis vert de fixation de terre fourni.
2. Connectez le fil de mise à la terre du luminaire au conducteur de mise à la terre du circuit d'alimentation. Fixez tous les conducteurs de terre au support de montage avec la vis vert de fixation.
3. Connectez les fils noir et blanc en référant à la table connexion câbles

ATTENTION

Fil libre ou des connexions desserrées ne doivent pas être présents. Fixer avec des connecteurs de fils certifié UL et du ruban électrique.

• INSTALLATION FINALE

1. Installer des ampoules de puissance recommandée, reportez-vous à l'étiquette de remplacement de la lampe situé en proximité de la douille.
2. Ne pas dépasser la puissance recommandée

AVERTISSEMENT

Instructions supplémentaires

Pour la fixation, utiliser les vis fournies et vérifier que le pavillon couvre complètement la boîte de sortie.

En cas de changement d'article, pas autorisé précédemment, la certification UL se terminera immédiatement.

LA CAGE 1LT DRUM PENDANT SIVER/CLAY #66636H590

ARHAUS®

your home

parts enclosed:

- (D) wire nuts (3)
- (E) cross bar set (1)
- (F) cross bar screws (2)
- (I) canopy (1)

important safety instructions:

1. We recommend installation by a licensed electrician.
2. To avoid the risk of fire, do not exceed the recommended wattage for this fixture.

wattage: 1x 40W
type of socket: E12

warnings:

1. Do not remove the lamp from its packaging by pulling on the power cord, as a bad connection may result.
2. To avoid the risk of fire, electrical shock, or personal injury, turn off lamp and allow it to cool prior to replacing light bulb.
3. Do not touch bulb when fixture is turned on or look directly at lit bulb.
4. Keep flammable materials away from lit bulb.

to assemble:

- Attach cross bar (E) to the ceiling junction box using the cross bar screws (F).
- Unscrew the collar ring (J).
- Insert the collar loop (H) into the canopy (I).
- Screw the collar ring (J) back.
- Attach the chandelier chain (L) to the collar loop (H) with the quick link (K).

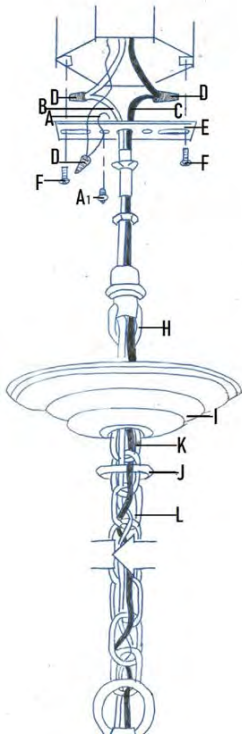
See back of the page for wiring connection details.

replacement parts assembly:

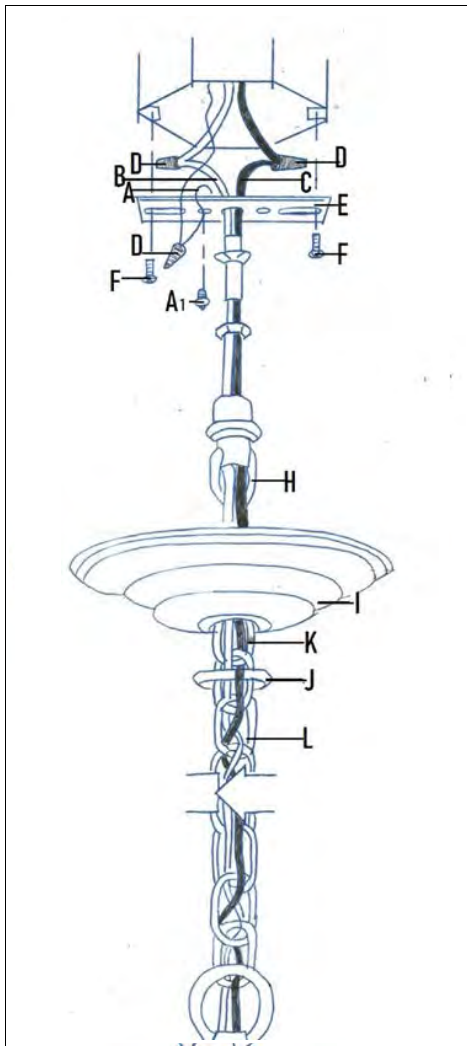
- To replace glass sphere (N) insert wire clip into the hole on the iron frame. Bend the wire and secure it.

care instructions:

Clean with dry soft cloth/brush only.
Do not use water/alcohol or any detergent.



→ N



INSTALLATION INSTRUCTIONS

INCANDESCENT SURFACE MOUNTED LUMINAIRES:

CAUTION

- A PERSON FAMILIAR WITH THE CONSTRUCTION AND OPERATION OF THE PRODUCT MUST INSTALL THIS PRODUCT IN ACCORDANCE WITH THE APPLICABLE INSTALLATION CODE AND THE HAZARDS INVOLVED.

WARNING

- The electricity MUST be turned off at the MAIN FUSE BOX before installation of this luminaire; turning the power off using the light switch is not sufficient to prevent electrical shock.
- Luminaires weighing 50 lbs (25 lbs for surface wall) or more must be mounted directly to the building structure, independently of the electrical box; this installation should not be made on a radiant heat type ceiling.

- If a chain-and-canopy luminaire is provided of an individual grounding conductor (bare or insulated), this shall be interwoven through the chain from the luminaire to the canopy.
- If chain-and-canopy luminaire is provided of a SPT-1 power supply cord type, this shall interwoven through the chain from the luminaire to the canopy.
- The luminaires are not intended to support external weight other than provided glasses.

- WIRE CONNECTION CHART:

Connect Black or Red (Hot) House Wire to:	Connect White (Neutral) House Wire to:
Black (Hot)	White (Neutral)
Parallel cord (round and smooth)	Parallel cord (square or ridged)
Clear, Brown, Gold or Black without tracer	Clear, Brown, Gold or Black with tracer
Insulated wire (other than green) with copper conductor	Insulated wire (other than green) with silver conductor

- ELECTRICAL CONNECTION:

1 Attach grounding wire (green insulated or bare copper) from the supply circuit to the mounting bracket with the green ground attachment screw. Connect the grounding wire of the luminaire to the grounding conductor of the supply circuit. Attach all grounding conductors to the mounting bracket with the green ground wire attachment screw.

2 Referring to the Wire Connection Chart, connect the black and white wires.

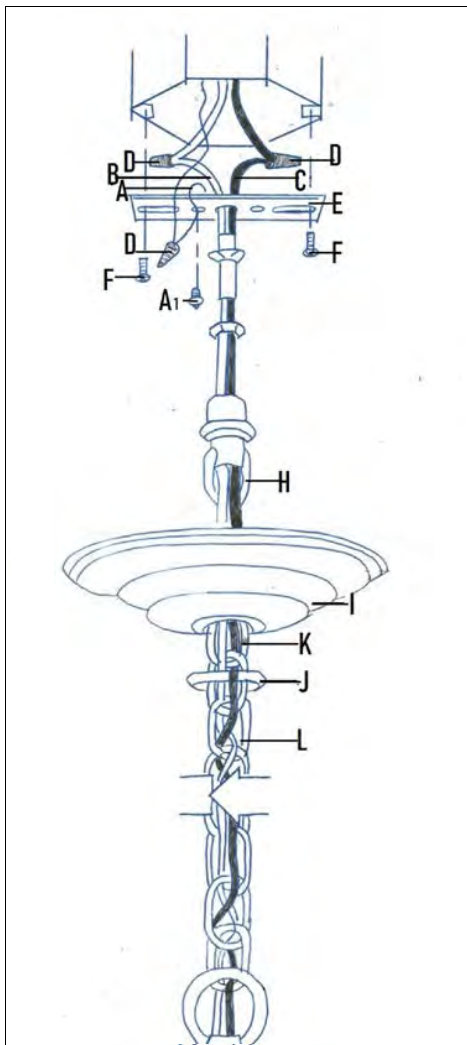
CAUTION

No loose strands or loose connections should be present. Secure with U.L. certified wire connectors and electrical tape.

- FINAL INSTRUCTION:

- 1 Install light bulbs, refer to the relamping label located near the lampholder for recommended wattage. DO NOT EXCEED THE RECOMMENDED WATTAGE.
- 2 Restore electricity and check the operation of the luminaire.

In case of change of the article, not previously authorized, the UL Certification will be terminated immediately



NOTICE DE MONTAGE PLAFONNIERES INCANDESCENTES

ATTENTION

- Le montage doit être effectué par personnes compétentes selon le code d'installation en vigueur et les risques impliqués.
- La sûreté de l'installation est soumise au correct usage des instructions suivantes

AVERTISSEMENT

- Avant d'effectuer chaque opération, couper le courant à la boîte du fusible principale. La mise hors tension grâce à l'interrupteur n'est pas suffisante pour prévenir les chocs électriques.
- Luminaires qui sont lourds 50 Lbs. Ou plus (25 Lbs. Pour appareil mur) doivent être montés directement à la structure du bâtiment, de façon indépendante de la boîte électrique; cette installation ne doit pas être fait sur un plafond avec systèmes de chauffages radiants
- Dans le cas du luminaire avec chaîne et pavillon, il faut passé les câbles a travers les maillons de la chaîne, soit s'il est équipé avec un câble conducteur de mise à la terre individuelle (nu ou isolé), soit s'il est équipé avec un câble d'alimentation SPT-1.
- Les appareils ne devraient pas porte plus de poids que celle prévue pour les verres décoratif

• TABLE CONNEXION CABLES:

Connecter le fil de la maison NOIR ou ROUGE (phase) avec:	Connecter le fil de la maison BLANC (neutre) avec:
Noir (Phase)	Blanc (neutre)
Fil parallèle (ronde et lisse)	Fil parallèle (carré ou striée)
Clair, Marron, Or ou Noir SANS traceur	Clair, Marron, or ou Noir AVEC traceur
Fil isolé (autre que Vert) avec conducteur Cuivre	Fil isolé (autre que Vert) avec conducteur Argent

• CONNEXIONS ÉLECTRIQUES

1. Fixez le fil de terre (vert isolé ou cuivre nu) du circuit d'alimentation au support de montage par la vis vert de fixation de terre fourni.
2. Connectez le fil de mise à la terre du luminaire au conducteur de mise à la terre du circuit d'alimentation. Fixez tous les conducteurs de terre au support de montage avec la vis vert de fixation.
3. Connectez les fils noir et blanc en référant à la table connexion câbles

ATTENTION

Fil libre ou des connexions desserrées ne doivent pas être présents. Fixer avec des connecteurs de fils certifié UL et du ruban électrique.

• INSTALLATION FINALE

1. Installer des ampoules de puissance recommandée, reportez-vous à l'étiquette de remplacement de la lampe situé en proximité de la douille.
2. Ne pas dépasser la puissance recommandée

AVERTISSEMENT

Instructions supplémentaires

Pour la fixation, utiliser les vis fournies et vérifier que le pavillon couvre complètement la boîte de sortie.

En cas de changement d'article, pas autorisé précédemment, la certification UL se terminera immédiatement.

LAILA 37" RECTANGLE CHANDELIER

parts enclosed:

- A. Mounting screw (4)
- B. Wire connector (2)
- C. Anchors (6)
- D. Screw (6)

important safety instructions:

1. Professional installation recommended.
2. To avoid the risk of fire, do not exceed the recommended wattage for this fixture.

UL NO: E340057, UL RATING: DRY, MAX BULB WATTAGE: 25 W
 CONVERSION TO MAX LED WATTAGE: 2-3 W
 BULB: 6 X B-10 (NOT INCLUDED)

warnings:

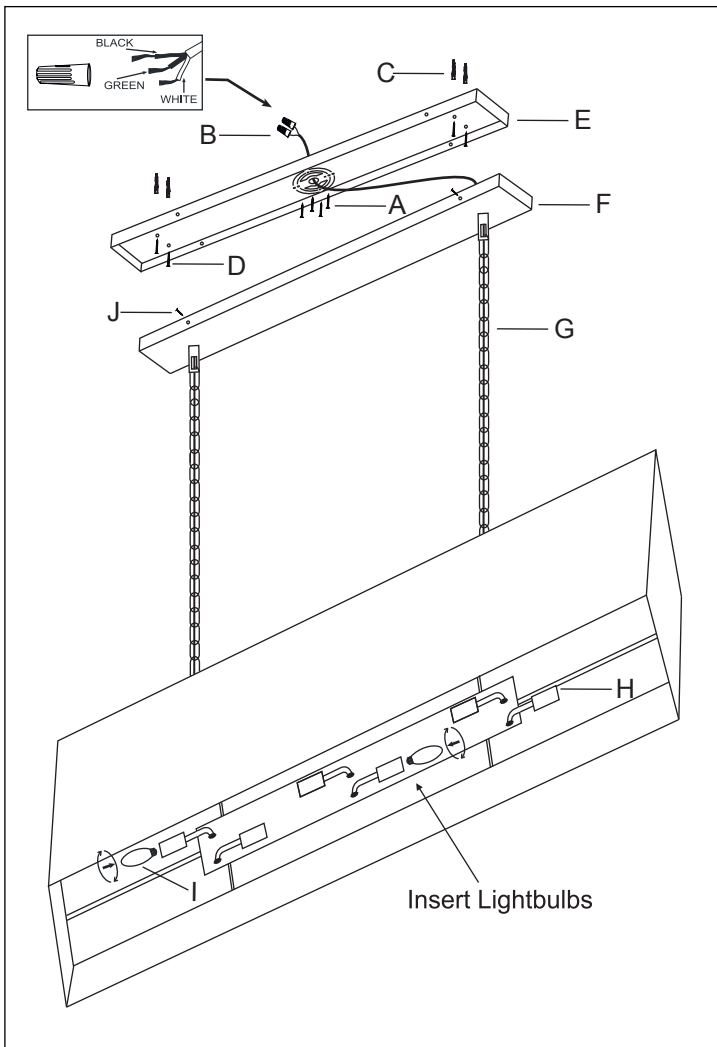
1. Do not remove the lamp from its packaging by pulling on the power cord, as a bad connection may result.
2. To avoid the risk of fire, electrical shock, or personal injury, turn off lamp and allow it to cool prior to replacing light bulb.
3. Do not touch bulb when fixture is turned on or look directly at lit bulb.
4. Keep flammable materials away from lit bulb.

to assemble:

1. Carefully remove all parts from the box and remove all protective coverings.
2. Turn OFF power to the junction box where the lamp will be installed.
3. Measure desired drop of fixture from ceiling, and remove any unnecessary links from chain (G), if desired.
4. Drill holes on the ceiling corresponding with holes in ceiling plate (E) then knock the anchors (C) into the holes. Attach the ceiling plate (E) to the ceiling with screws (D) and mounting screws (A). Note: Anchors are used for concrete ceiling, for wooden ceiling only screws can be used.
5. Pull wire from ceiling box and attach ground wire (usually green or bare wire) on ceiling plate (E) with a screw.
6. Attach hot wire from ceiling box (usually black) to hot wire on fixture with a plastic wire connector (B) and wrap this connection with an electrical tape.
7. Attach neutral wire from ceiling box (usually white) to neutral wire on fixture with a plastic wire connector (B) and wrap this connection with an electrical tape.
8. Attach the canopy (F) with ceiling plate (E) and tighten the round screws (J).
9. Insert the bulb (I) into socket (H) as shown in picture. Repeat for all 6 bulbs.
10. Restore power to the junction box and test lamp fixture.

care instructions:

Do not use polishes or cleaners on your lamp. Just wipe with soft, lint free cloth.



LAILA 49" RECTANGLE CHANDELIER

parts enclosed:

- A. Mounting screw (4)
- B. Wire connector (2)
- C. Anchors (6)
- D. Screw (6)

important safety instructions:

1. Professional installation recommended.
2. To avoid the risk of fire, do not exceed the recommended wattage for this fixture.

UL NO: E340057, UL RATING: DRY, MAX BULB WATTAGE: 25 W
 CONVERSION TO MAX LED WATTAGE: 2-3 W
 BULB: 6 X B-10 (NOT INCLUDED)

warnings:

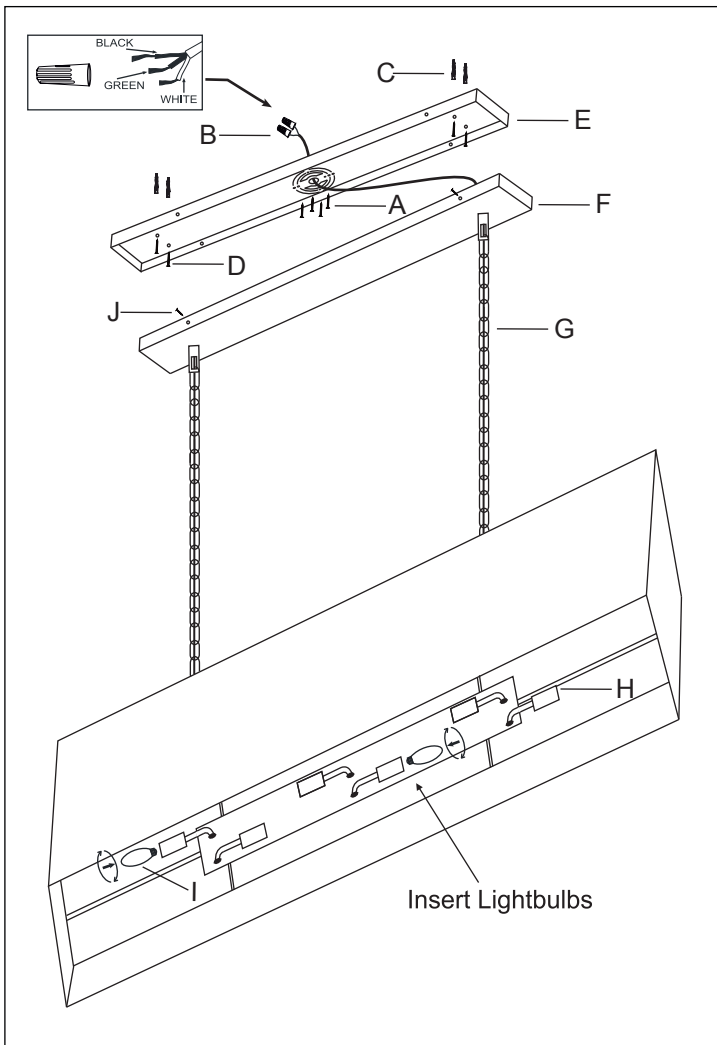
1. Do not remove the lamp from its packaging by pulling on the power cord, as a bad connection may result.
2. To avoid the risk of fire, electrical shock, or personal injury, turn off lamp and allow it to cool prior to replacing light bulb.
3. Do not touch bulb when fixture is turned on or look directly at lit bulb.
4. Keep flammable materials away from lit bulb.

to assemble:

1. Carefully remove all parts from the box and remove all protective coverings.
2. Turn OFF power to the junction box where the lamp will be installed.
3. Measure desired drop of fixture from ceiling, and remove any unnecessary links from chain (G), if desired.
4. Drill holes on the ceiling corresponding with holes in ceiling plate (E) then knock the anchors (C) into the holes. Attach the ceiling plate (E) to the ceiling with screws (D) and mounting screws (A). Note: Anchors are used for concrete ceiling, for wooden ceiling only screws can be used.
5. Pull wire from ceiling box and attach ground wire (usually green or bare wire) on ceiling plate (E) with a screw.
6. Attach hot wire from ceiling box (usually black) to hot wire on fixture with a plastic wire connector (B) and wrap this connection with an electrical tape.
7. Attach neutral wire from ceiling box (usually white) to neutral wire on fixture with a plastic wire connector (B) and wrap this connection with an electrical tape.
8. Attach the canopy (F) with ceiling plate (E) and tighten the round screws (J).
9. Insert the bulb (I) into socket (H) as shown in picture. Repeat for all 6 bulbs.
10. Restore power to the junction box and test lamp fixture.

care instructions:

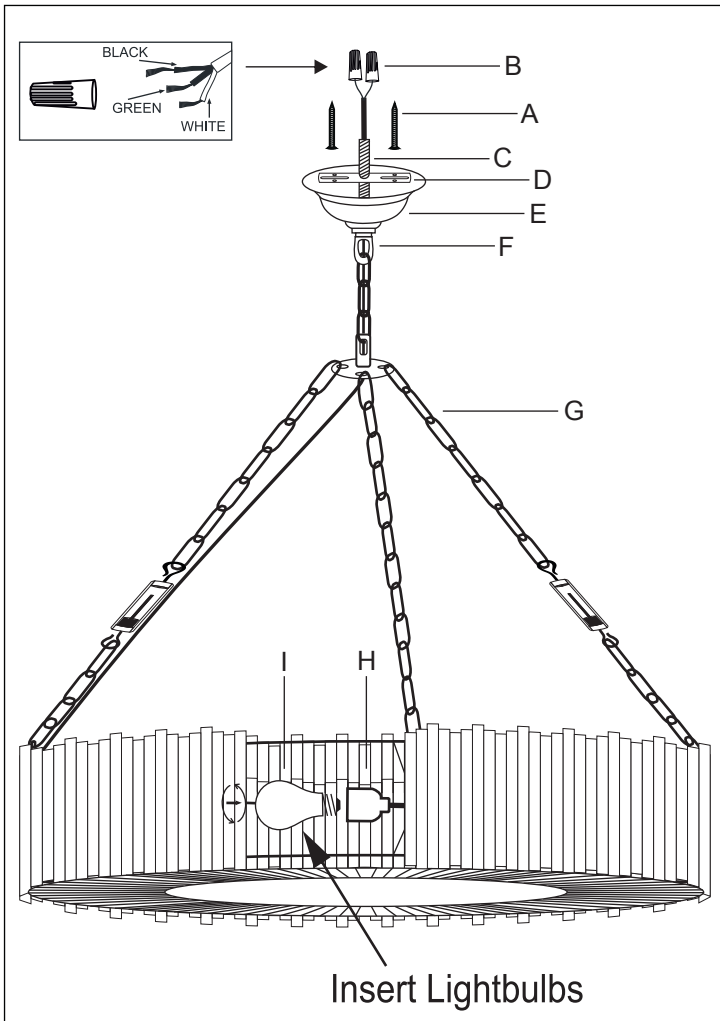
Do not use polishes or cleaners on your lamp. Just wipe with soft, lint free cloth.



LAILA CHANDELIER

parts enclosed:

- A. Mounting screw (2)
- B. Wire connector (2)

**important safety instructions:**

1. Professional installation recommended.
2. To avoid the risk of fire, do not exceed the recommended wattage for this fixture.

UL NO: E340057, UL RATING: DRY, MAX BULB WATTAGE: 40 W
 CONVERSION TO MAX LED WATTAGE: 4-5 W
 BULB: 4 X A-19 (NOT INCLUDED)

warnings:

1. Do not remove the lamp from its packaging by pulling on the power cord, as a bad connection may result.
2. To avoid the risk of fire, electrical shock, or personal injury, turn off lamp and allow it to cool prior to replacing light bulb.
3. Do not touch bulb when fixture is turned on or look directly at lit bulb.
4. Keep flammable materials away from lit bulb.

to assemble:

1. Carefully remove all parts from the box and remove all protective coverings.
2. Turn OFF power to the junction box where the lamp will be installed.
3. Measure desired drop of fixture from ceiling, and remove any unnecessary links from chain (G), if desired.
4. Attach cross bar (D) to ceiling outlet box using mounting screws (A).
5. Pull wire from ceiling box and attach ground wire (usually green or bare wire) on cross bar (D) with a screw.
6. Attach hot wire from ceiling box (usually black) to hot wire on fixture with a plastic wire connector (B) and wrap this connection with an electrical tape.
7. Attach neutral wire from ceiling box (usually white) to neutral wire on fixture with a plastic wire connector (B) and wrap this connection with an electrical tape.
8. Slide canopy (E) up and hold flush against ceiling. Screw the chain hook (F) to the threaded tube (C) to hang the fixture.
9. Insert the bulb (I) into socket (H) as shown in picture. Repeat for all 4 bulbs.
10. Restore power to the junction box and test lamp fixture.

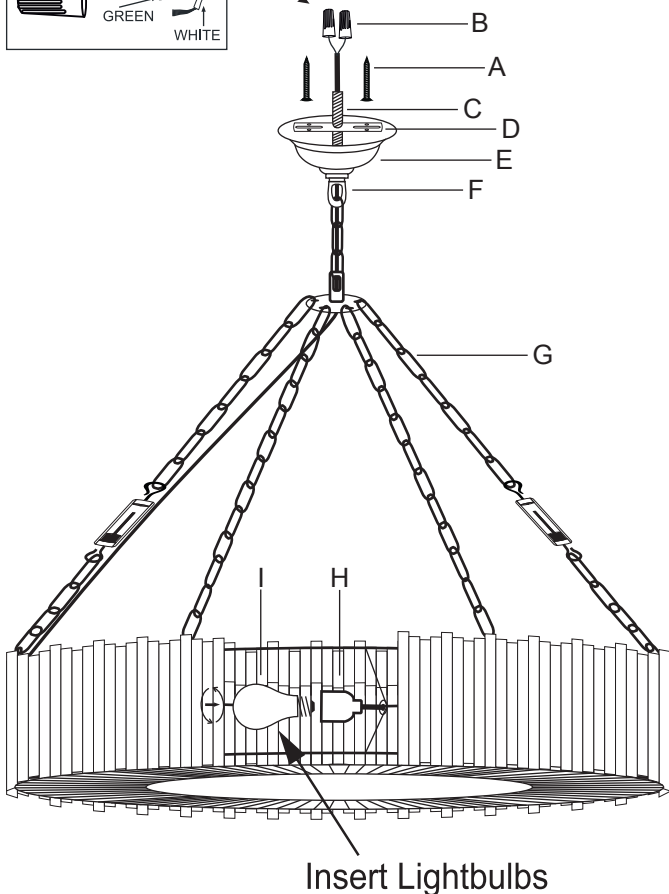
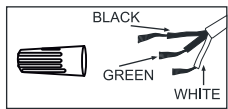
care instructions:

Do not use polishes or cleaners on your lamp. Just wipe with soft, lint free cloth.

LAILA LARGE CHANDELIER

parts enclosed:

- A. Mounting screw (2)
- B. Wire connector (2)

**important safety instructions:**

1. Professional installation recommended.
2. To avoid the risk of fire, do not exceed the recommended wattage for this fixture.

UL NO: E340057, UL RATING: DRY, MAX BULB WATTAGE: 40 W
 CONVERSION TO MAX LED WATTAGE: 4-5 W
 BULB: 8 X A-19 (NOT INCLUDED)

warnings:

1. Do not remove the lamp from its packaging by pulling on the power cord, as a bad connection may result.
2. To avoid the risk of fire, electrical shock, or personal injury, turn off lamp and allow it to cool prior to replacing light bulb.
3. Do not touch bulb when fixture is turned on or look directly at lit bulb.
4. Keep flammable materials away from lit bulb.

to assemble:

1. Carefully remove all parts from the box and remove all protective coverings.
2. Turn OFF power to the junction box where the lamp will be installed.
3. Measure desired drop of fixture from ceiling, and remove any unnecessary links from chain (G), if desired.
4. Attach cross bar (D) to ceiling outlet box using mounting screws (A).
5. Pull wire from ceiling box and attach ground wire (usually green or bare wire) on cross bar (D) with a screw.
6. Attach hot wire from ceiling box (usually black) to hot wire on fixture with a plastic wire connector (B) and wrap this connection with an electrical tape.
7. Attach neutral wire from ceiling box (usually white) to neutral wire on fixture with a plastic wire connector (B) and wrap this connection with an electrical tape.
8. Slide canopy (E) up and hold flush against ceiling. Screw the chain hook (F) to the threaded tube (C) to hang the fixture.
9. Insert the bulb (I) into socket (H) as shown in picture. Repeat for all 8 bulbs.
10. Restore power to the junction box and test lamp fixture.

care instructions:

Do not use polishes or cleaners on your lamp. Just wipe with soft, lint free cloth.

LAILA WALL SCONCE

parts enclosed:

- A. Mounting screw (2)
- B. Wire connector (2)
- C. Anchors (2)

important safety instructions:

1. Professional installation recommended.
2. To avoid the risk of fire, do not exceed the recommended wattage for this fixture.

UL NO: E340057, UL RATING: DRY, MAX BULB WATTAGE: 40 W
 CONVERSION TO MAX LED WATTAGE: 4-5 W
 BULB: 2 X A-19 (NOT INCLUDED)

warnings:

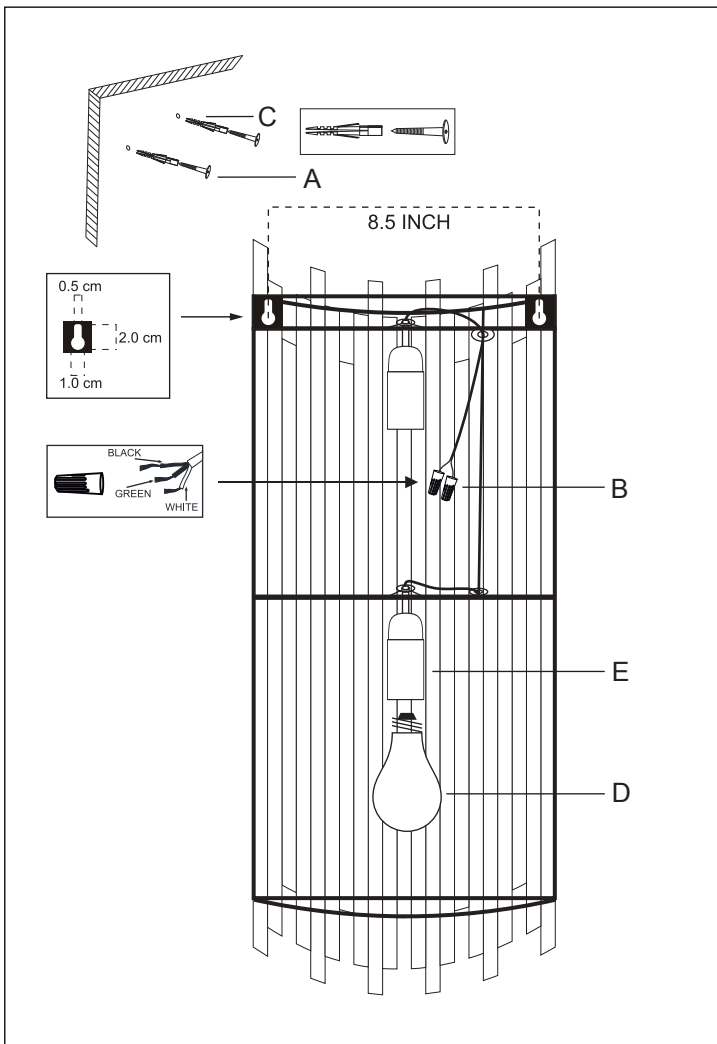
1. Do not remove the lamp from its packaging by pulling on the power cord, as a bad connection may result.
2. To avoid the risk of fire, electrical shock, or personal injury, turn off lamp and allow it to cool prior to replacing light bulb.
3. Do not touch bulb when fixture is turned on or look directly at lit bulb.
4. Keep flammable materials away from lit bulb.

to assemble:

1. Carefully remove all parts from the box and remove all protective coverings.
2. Turn OFF power to the junction box where the lamp will be installed.
3. Drill two holes on the wall corresponding to the key hole of lamp then knock the anchors (C) into the holes and fix mounting screws (A). Note: Anchors are used for concrete wall, for wooden wall only screws can be used.
4. Pull wire from wall outlet box and attach ground wire (usually green or bare wire) to the ground wire of fixture.
5. Attach hot wire from wall box (usually black) to hot wire of fixture with a plastic wire connector (B) and wrap this connection with an electrical tape.
6. Attach neutral wire from wall box (usually white) to neutral wire of fixture with a plastic wire connector (B) and wrap this connection with an electrical tape.
7. Insert the bulb (D) into socket (E) as shown in picture. Repeat for all 2 bulbs.
8. Restore power to the junction box and test lamp fixture.

care instructions:

Do not use polishes or cleaners on your lamp. Just wipe with soft, lint free cloth.



PARTS INVENTORY

Super Category	Product ID	Description	Stat	Collection	Route
LIGHTING	912082H0322CH	LAILA CHAND 6 FT CHAIN 2 METERS PER BOX/ CSV PARTS	A	PT-LAILA	PART
LIGHTING	912082H0322CN	LAILA CHAND CANOPY CANOPY W/ HARDWARE	A	PT-LAILA	PART
LIGHTING	912082H0355H	LAILA CHAND CHAIN HOOK CHAIN HOOK	A	PT-LAILA	PART
LIGHTING	912082H134CH	LAILA PENDANT 12 FT CHAIN ANTIQUE COPPER HANGING CHAIN	A	PT-LAILA	PART
LIGHTING	912082H134C6	LAILA PENDANT 6 FT CHAIN ANTIQUE COPPER HANGING CHAIN	A	PT-LAILA	PART
LIGHTING	912082H134CN	LAILA PENDANT CANOPY ANTIQUE COPPER CANOPY	A	PT-LAILA	PART

662082H597

LAILA FLUSHMOUNT

ARHAUS®

your home

parts enclosed:

- A. Mounting screw (4)
- B. Wire connector (2)
- C. Anchors (4)

important safety instructions:

1. Professional installation recommended.
2. To avoid the risk of fire, do not exceed the recommended wattage for this fixture.

UL NO: E340057, UL RATING: DRY, MAX BULB WATTAGE: 40 W
CONVERSION TO MAX LED WATTAGE: 4-5 W
BULB: 4 X A-19 (NOT INCLUDED)

warnings:

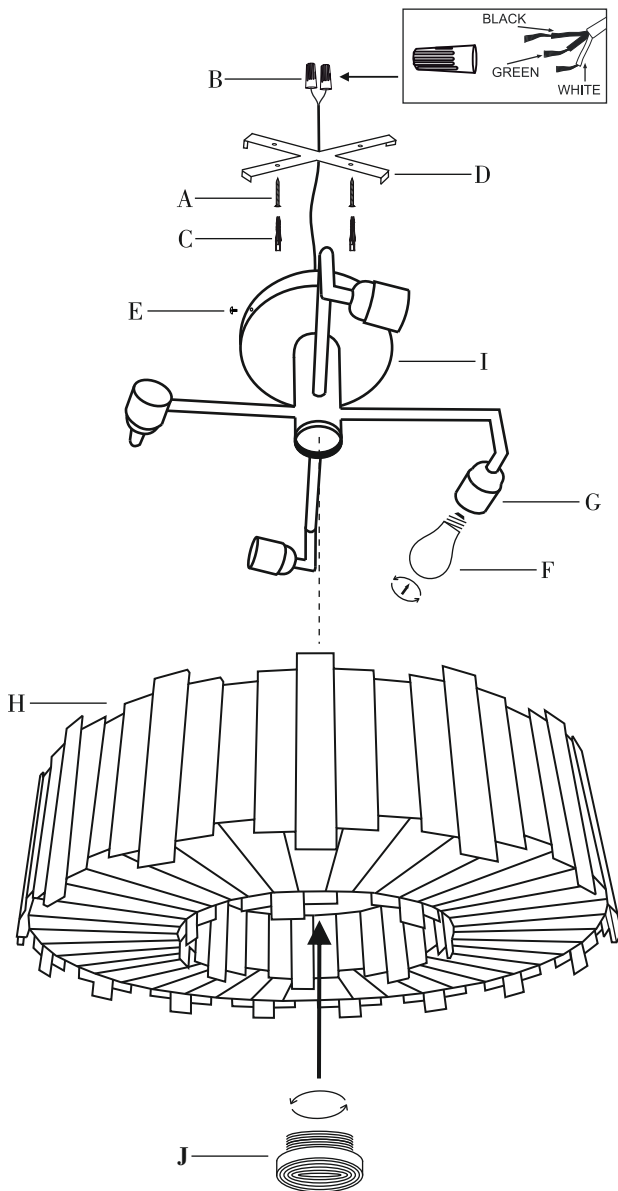
1. Do not remove the lamp from its packaging by pulling on the power cord, as a bad connection may result.
2. To avoid the risk of fire, electrical shock, or personal injury, turn off lamp and allow it to cool prior to replacing light bulb.
3. Do not touch bulb when fixture is turned on or look directly at lit bulb.
4. Keep flammable materials away from lit bulb.

to assemble:

1. Carefully remove all parts from the box and remove all protective coverings.
2. Turn OFF power to the junction box where the lamp will be installed.
3. Drill holes on the ceiling corresponding with holes in cross bar (D) then knock the anchors (C) into the holes. Attach the cross bar (D) to the ceiling with mounting screws (A).
Note: Anchors are used for concrete ceiling, for wooden ceiling only screws can be used.
4. Pull wire from ceiling box and attach ground wire (usually green or bare wire) on cross bar (D) with a screw.
5. Attach hot wire from ceiling box (usually black) to hot wire on fixture with a plastic wire connector (B) and wrap this connection with an electrical tape.
6. Slide canopy (I) up and hold flush against cross bar (D) then screw the side screw (E) to the corresponding holes of cross bar (D) to hang the fixture.
7. Insert the bulb (F) into socket (G) as shown in picture. Repeat for all 4 bulbs.
8. Flush the lamp shade (H) into the canopy (I) and screw the knob (J). Do not over tight the knob.
9. Restore power to the junction box and test lamp fixture.

care instructions:

Do not use polishes or cleaners on your lamp. Just wipe with soft, lint free cloth.

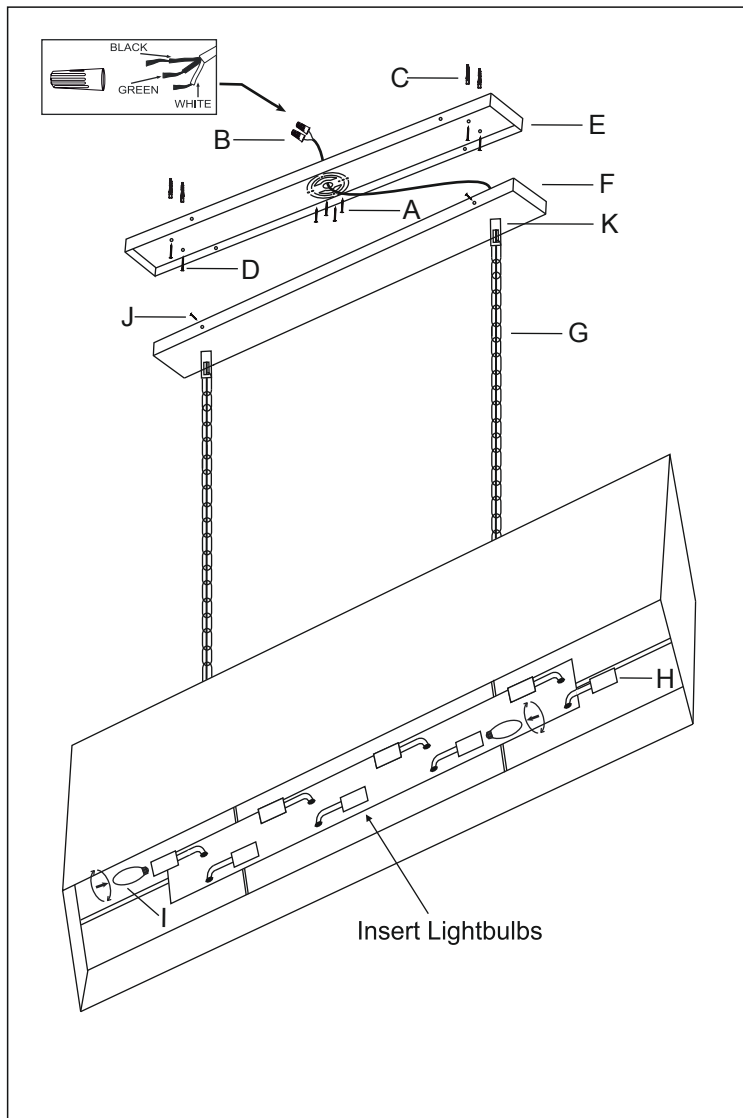


662082H596

LAILA 70" RECTANGULAR CHANDELIER

parts enclosed:

- A. Mounting screw (4)
- B. Wire connector (2)
- C. Anchors (6)
- D. Screw (6)

**important safety instructions:**

1. Professional installation recommended.
2. To avoid the risk of fire, do not exceed the recommended wattage for this fixture.

UL NO: E340057, UL RATING: DRY, MAX BULB WATTAGE: 25 W
 CONVERSION TO MAX LED WATTAGE: 2-3 W
 BULB: 8 X B-10 (NOT INCLUDED)

warnings:

1. Do not remove the lamp from its packaging by pulling on the power cord, as a bad connection may result.
2. To avoid the risk of fire, electrical shock, or personal injury, turn off lamp and allow it to cool prior to replacing light bulb.
3. Do not touch bulb when fixture is turned on or look directly at lit bulb.
4. Keep flammable materials away from lit bulb.

to assemble:

1. Carefully remove all parts from the box and remove all protective coverings.
2. Turn OFF power to the junction box where the lamp will be installed.
3. Measure desired drop of fixture from ceiling, and remove any unnecessary links from the chain (G), if desired.
4. Drill holes on the ceiling corresponding with holes in ceiling plate (E) then knock the anchors (C) into the holes. Attach the ceiling plate (E) to the ceiling with screws (D) and mounting screws (A). Note: Anchors are used for concrete ceiling, for wooden ceiling only screws can be used.
5. Pull wire from ceiling box and attach ground wire (usually green or bare wire) on ceiling plate (E) with a screw.
6. Attach hot wire from ceiling box (usually black) to hot wire on fixture with a plastic wire connector (B) and wrap this connection with an electrical tape.
7. Attach neutral wire from ceiling box (usually white) to neutral wire on fixture with a plastic wire connector (B) and wrap this connection with an electrical tape.
8. Attach the canopy (F) with ceiling plate (E) and tighten the round screws (J).
9. Insert the bulb (I) into socket (H) as shown in picture. Repeat for all 8 bulbs.
10. Restore power to the junction box and test lamp fixture.

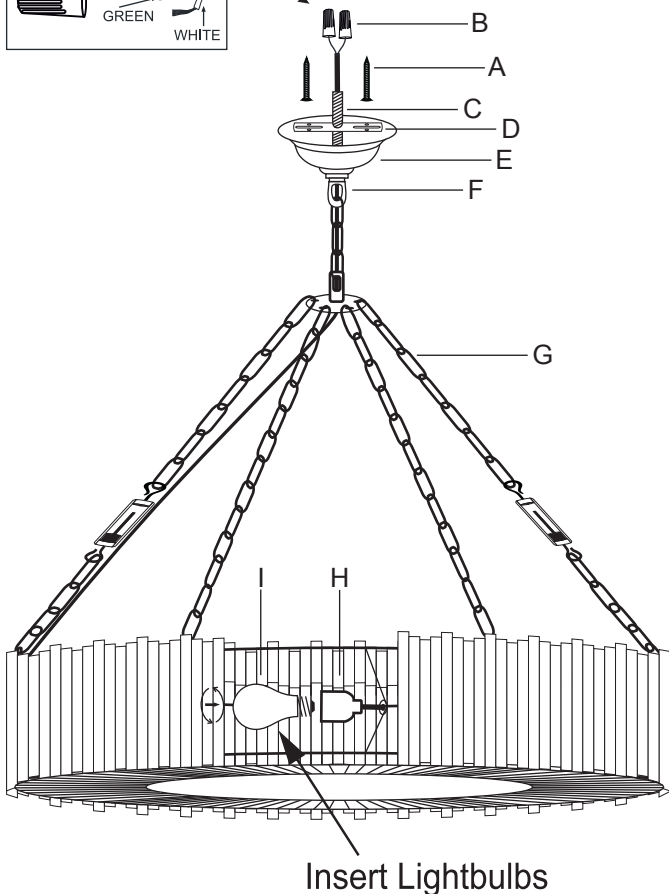
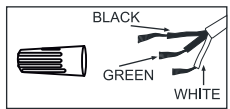
care instructions:

Do not use polishes or cleaners on your lamp. Just wipe with soft, lint free cloth.

LAILA LARGE CHANDELIER

parts enclosed:

- A. Mounting screw (2)
- B. Wire connector (2)



Insert Lightbulbs

important safety instructions:

1. Professional installation recommended.
2. To avoid the risk of fire, do not exceed the recommended wattage for this fixture.

UL NO: E340057, UL RATING: DRY, MAX BULB WATTAGE: 40 W
 CONVERSION TO MAX LED WATTAGE: 4-5 W
 BULB: 8 X A-19 (NOT INCLUDED)

warnings:

1. Do not remove the lamp from its packaging by pulling on the power cord, as a bad connection may result.
2. To avoid the risk of fire, electrical shock, or personal injury, turn off lamp and allow it to cool prior to replacing light bulb.
3. Do not touch bulb when fixture is turned on or look directly at lit bulb.
4. Keep flammable materials away from lit bulb.

to assemble:

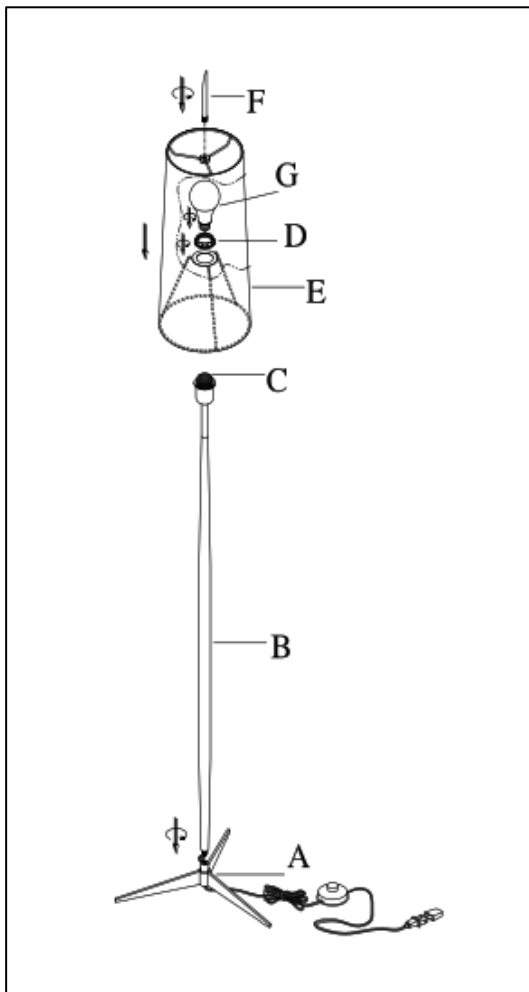
1. Carefully remove all parts from the box and remove all protective coverings.
2. Turn OFF power to the junction box where the lamp will be installed.
3. Measure desired drop of fixture from ceiling, and remove any unnecessary links from chain (G), if desired.
4. Attach cross bar (D) to ceiling outlet box using mounting screws (A).
5. Pull wire from ceiling box and attach ground wire (usually green or bare wire) on cross bar (D) with a screw.
6. Attach hot wire from ceiling box (usually black) to hot wire on fixture with a plastic wire connector (B) and wrap this connection with an electrical tape.
7. Attach neutral wire from ceiling box (usually white) to neutral wire on fixture with a plastic wire connector (B) and wrap this connection with an electrical tape.
8. Slide canopy (E) up and hold flush against ceiling. Screw the chain hook (F) to the threaded tube (C) to hang the fixture.
9. Insert the bulb (I) into socket (H) as shown in picture. Repeat for all 8 bulbs.
10. Restore power to the junction box and test lamp fixture.

care instructions:

Do not use polishes or cleaners on your lamp. Just wipe with soft, lint free cloth.

parts enclosed:

ITEM	DIAGRAM	DESCRIPTION	QTY
(A)		BASE	1
(B)		COLUMN	1
(C)		SOCKET	1
(D)		SOCKET RING	1
(E)		SHADE	1
(F)		FINIAL	1
(G)		BULB	1



important safety instructions:

Never use with an extension cord unless plug can be fully inserted. Do not alter plug.

to assemble:

1. Remove all packing contents and parts from the cartons carefully
2. Please be sure you have all parts indicated before you begin assembly.
3. Pull excess wire through the base before assembling the lamp
4. Place the lamp base (a) on a flat surface
5. Screw the column (b) onto the base (a) until tight.
6. Unscrew the socket ring (d) off the socket (c), attach shade (taken from another carton) to the socket, then tighten it with socket ring.
7. Insert 1 type A 100W bulb (or suitable CFL 26W/ LED 20W bulb, not included) into the socket.








DO NOT EXCEED SPECIFIED WATTAGE

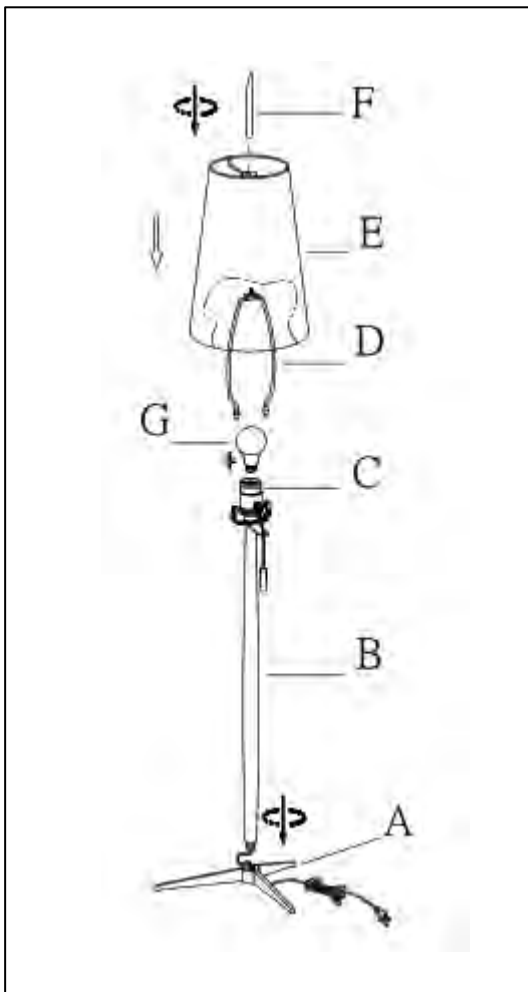
care instructions:

1. Wipe clean with a soft, dry cloth or static duster.
2. Always avoid the use of chemicals or abrasive cleaners as they may cause damage to finish on the lamp.

Made in China

parts enclosed:

ITEM	DIAGRAM	DESCRIPTION	Q'TY
(A)		BASE	1
(B)		COLUMN	1
(C)		SOCKET	1
(D)		HARP	1
(E)		SHADE	1
(F)		FINIAL	1
(G)		BULB	1



important safety instructions:

Never use with an extension cord unless plug can be fully inserted. Do not alter plug

to assemble:

1. Remove all packing contents and parts from the cartons carefully
2. Please be sure you have all parts indicated before you begin assembly.
3. Pull excess wire through the base before assembling the lamp
4. Place the lamp base (a) on a flat surface
5. Screw the column (b) onto the base (a) until tight.
6. Insert the harp (d) into the saddle
7. Place the shade (e) taken from another carton) on top of harp (d). then tighten finial (f) clockwise to secure the shade
8. Insert 1 type A 60W bulb (or suitable CFL 16W/ LED 13W bulb, not included) into the socket.

DO NOT EXCEED SPECIFIED WATTAGE

care instructions:

1. Wipe clean with a soft, dry cloth or static duster.
2. Always avoid the use of chemicals or abrasive cleaners as they may cause damage to finish on the lamp.

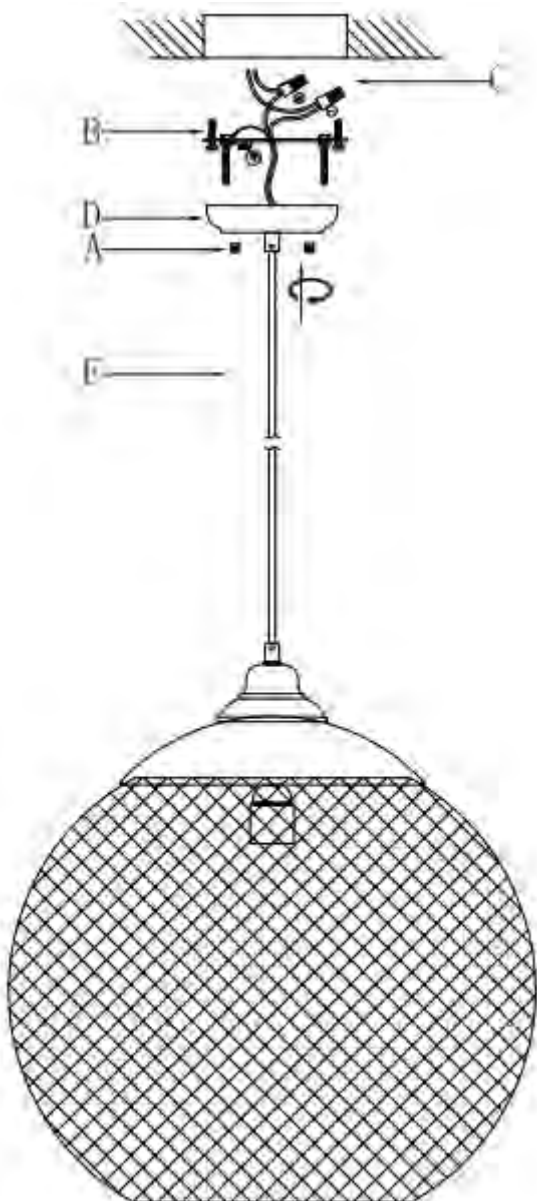
Made in China

LIGHTING PARTS SKUS

CATEGORY	SKU	DESCRIPTION	STATUS	COLLECTION	ROUTE
LIGHTING	91230LANF	LANCIA FLOOR LAMP FINIAL 4 INCH BRONZE FINIAL	A	PT-LANCIA	PART
LIGHTING	91230LANS	LANCIA FLOOR LAMP SHADE GREY LINEN COTTON SHADE	A	PT-LANCIA	

parts enclosed:

Part	Description	Qty.
A	screws	2
B	mounting Bracket	1
C	nipples	3
D	canopy	1
E	steel	1



important safety instructions:

1. We recommend installation by a licensed electrician.
2. To avoid the risk of fire, do not exceed the recommended wattage for this fixture.

warnings:

1. Do not remove the lamp from its packaging by pulling on the power cord, as a bad connection may result.
2. To avoid the risk of fire, electrical shock, or personal injury, turn off lamp and allow it to cool prior to replacing light bulb.
3. Do not touch bulb when fixture is turned on or look directly at lit bulb.
4. Keep flammable materials away from lit bulb.

to assemble:

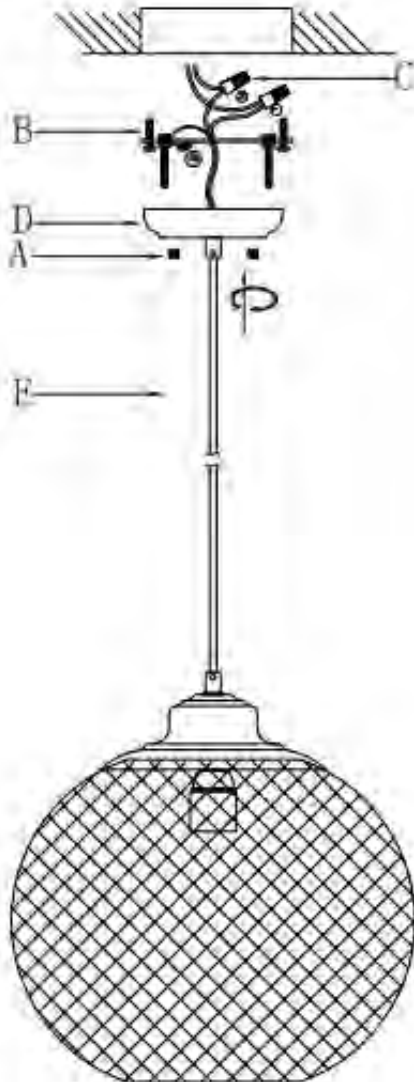
1. Carefully remove all parts from the box.
2. Remove the mounting bracket (B) from the canopy (D) by loosening the screws (A).
3. Adjust the height of cable and safety steel (E) wire you need.
4. INSURE THE ELECTRICITY SUPPLY IS TURNED OFF.
5. Affix the mounting bracket (B) on the outlet box.
6. Wrap both safety cable with nipples (C), push the cable into the outlet box.
7. Attach the canopy (D) to the mounting bracket (B) and secure with screws (A).
8. Installation is complete, turn on power at fuse or circuit breaker.

care instructions:

Clean with a dry, soft cloth only. Use no harsh abrasives or chemical agents.

parts enclosed:

Part	Description	Qty.
A	screws	2
B	mounting Bracket	1
C	nipples	3
D	canopy	1
E	steel	1



important safety instructions:

1. We recommend installation by a licensed electrician.
2. To avoid the risk of fire, do not exceed the recommended wattage for this fixture.

warnings:

1. Do not remove the lamp from its packaging by pulling on the power cord, as a bad connection may result.
2. To avoid the risk of fire, electrical shock, or personal injury, turn off lamp and allow it to cool prior to replacing light bulb.
3. Do not touch bulb when fixture is turned on or look directly at lit bulb.
4. Keep flammable materials away from lit bulb.

to assemble:

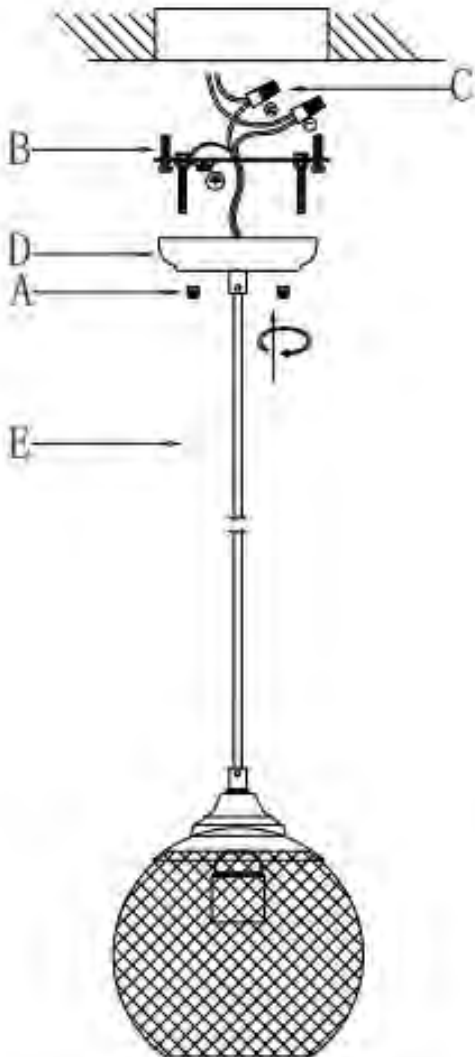
1. Carefully remove all parts from the box.
2. Remove the mounting bracket (B) from the canopy (D) by loosening the screws (A).
3. Adjust the height of cable and safety steel (E) wire you need.
4. INSURE THE ELECTRICITY SUPPLY IS TURNED OFF.
5. Affix the mounting bracket (B) on the outlet box.
6. Wrap both safety cable with nipples (C), push the cable into the outlet box.
7. Attach the canopy (D) to the mounting bracket (B) and secure with screws (A).
8. Installation is complete, turn on power at fuse or circuit breaker.

care instructions:

Clean with a dry, soft cloth only. Use no harsh abrasives or chemical agents.

parts enclosed:

Part	Description	Qty.
A	screws	2
B	mounting Bracket	1
C	nipples	3
D	canopy	1
E	steel	1



important safety instructions:

1. We recommend installation by a licensed electrician.
2. To avoid the risk of fire, do not exceed the recommended wattage for this fixture.

warnings:

1. Do not remove the lamp from its packaging by pulling on the power cord, as a bad connection may result.
2. To avoid the risk of fire, electrical shock, or personal injury, turn off lamp and allow it to cool prior to replacing light bulb.
3. Do not touch bulb when fixture is turned on or look directly at lit bulb.
4. Keep flammable materials away from lit bulb.

to assemble:

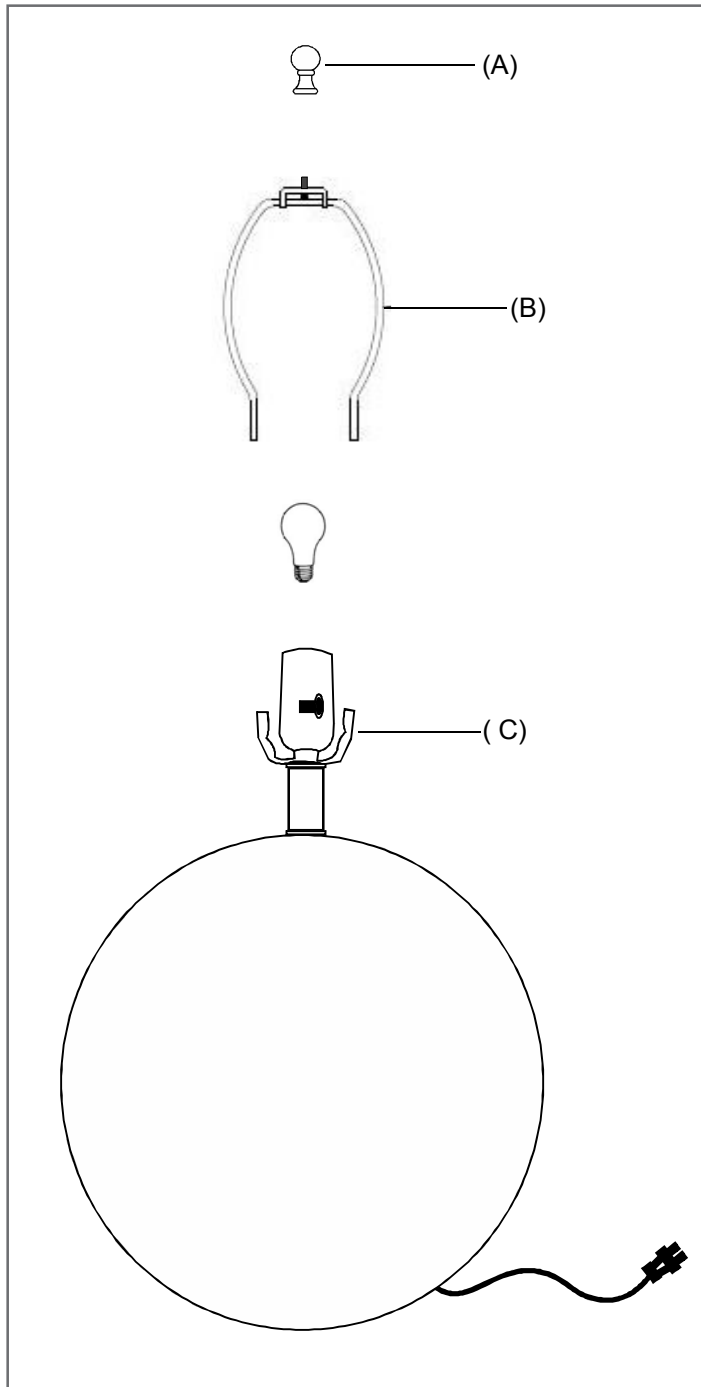
1. Carefully remove all parts from the box.
2. Remove the mounting bracket (B) from the canopy (D) by loosening the screws (A).
3. Adjust the height of cable and safety steel (E) wire you need.
4. INSURE THE ELECTRICITY SUPPLY IS TURNED OFF.
5. Affix the mounting bracket (B) on the outlet box.
6. Wrap both safety cable with nipples (C), push the cable into the outlet box.
7. Attach the canopy (D) to the mounting bracket (B) and secure with screws (A).
8. Installation is complete , turn on power at fuse or circuit breaker.

care instructions:

Clean with a dry, soft cloth only. Use no harsh abrasives or chemical agents.

662889L669B LARGO TABLE LAMP BASE**Parts Enclosed:**

- A) Finial
- B) Harp

**Important Safety Instruction:**

1. We recommend installation by a licensed electrician.
2. To avoid the risk of fire, do not exceed the recommended wattage for this fixture.

UL NO-E194404, UL Rating: Dry, Bulb Wattage: 100 W
conversion to max 23W SBCFL OR 9W SBLED
Bulb: 1x Type A (Not included)

Warnings:

1. Do not remove the lamp from its packaging by pulling on the power cord, as a bad connection may result.
2. To avoid the risk of fire, electrical shock, or personal injury, turn off lamp and allow it to cool prior to replacing the light bulb.
3. Do not touch the bulb when fixture is turned on or look directly at lit bulb.
4. Keep flammable material away from lit bulb

To Assemble:

1. Carefully remove all the parts from the box and remove all the protective coverings.
2. Turn OFF the power to the circuit breaker where the lamp will be installed.
3. Attach the Harp (B) to the Saddle (C).
4. Unscrew Finial (A) and place Shade on harp (B) and tighten finial (A) to harp (B).
5. Restore the power to the circuit breaker and test lamp fixture.

Care Instructions:

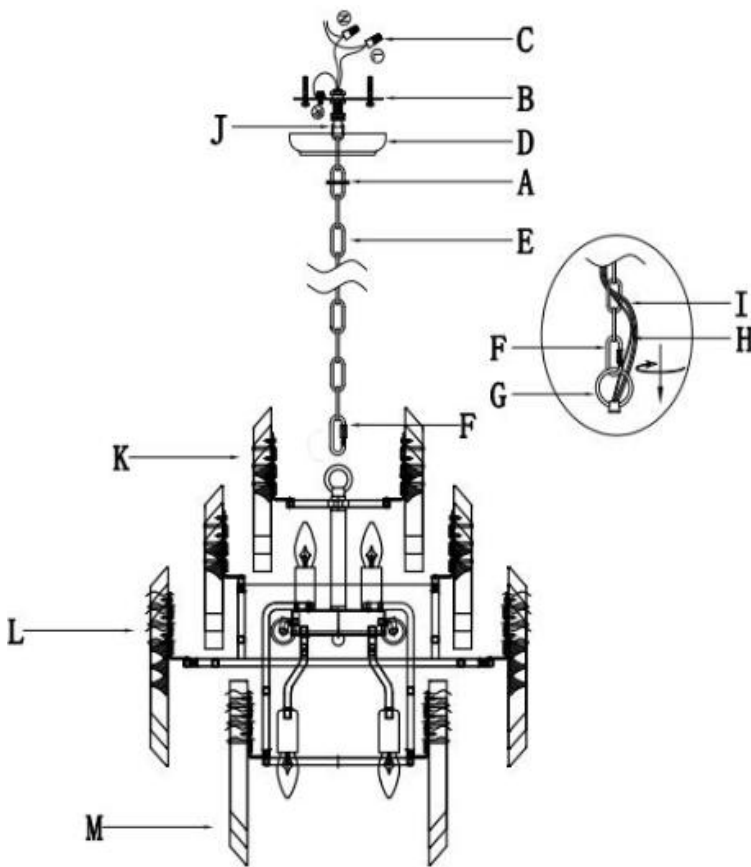
DO NOT use polishes or cleaners on your lamp.
wipe with soft, lint free cloth.

LIGHTING PARTS SKUS

CATEGORY	SKU	DESCRIPTION	STATUS	COLLECTION	ROUTE
LIGHTING	912036H142CH	LARKYN CHANDELIER 12 FT CH .16" X 12 FT BRONZE HANGING CH	A	PT-LARKYN	PART
LIGHTING	912036H142C6	LARKYN CHANDELIER 6 FT CH .16" X 6 FT BRONZE HANGING CH	A	PT-LARKYN	PART
LIGHTING	912036H142C	LARKYN CHANDELIER CANOPY ANTIQUE BRONZE CANOPY	A	PT-LARKYN	PART
LIGHTING	912036H142SK	LARKYN CHANDELIER GLASS STICKK NO K GLASS STICK	A	PT-LARKYN	PART
LIGHTING	912036H142SL	LARKYN CHANDELIER GLASS STICKL NO L GLASS STICK	A	PT-LARKYN	PART
LIGHTING	912036H142SM	LARKYN CHANDELIER GLASS STICKM NO M GLASS STICK	A	PT-LARKYN	PART

parts enclosed:

Part	Description	Qty.	Part	Description	Qty.
A	lock collar	1	H	cable	1
B	mounting bracket	1	I	naked earth cable	1
C	nipples	3	J	ceiling loop	1
D	canopy	1	K	glass sticks #K	51
E	chain	1	L	glass sticks #L	45
F	open ring #F	1	M	glass sticks #M	24
G	open ring #G	1			



important safety instructions:

1. We recommend installation by a licensed electrician.
2. To avoid the risk of fire, do not exceed the recommended wattage for this fixture.

warnings:

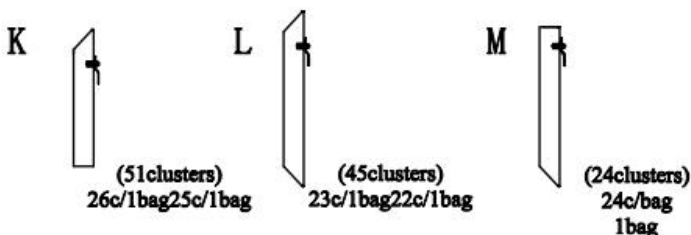
1. Do not remove the lamp from its packaging by pulling on the power cord, as a bad connection may result.
2. To avoid the risk of fire, electrical shock, or personal injury, turn off lamp and allow it to cool prior to replacing light bulb.
3. Do not touch bulb when fixture is turned on or look directly at lit bulb.
4. Keep flammable materials away from lit bulb.

to assemble:

1. Carefully remove all parts from the box.
2. Remove the mounting bracket (B) from the canopy (D) by loosening the lock collar (A).
3. Taking off the open ring (F) and use the dimensions of the fixture as a guide, shorten the chain as needed using a pair of chain pliers.
4. Use the open ring (F) to link the chain (E) and the loop (G), then put the cable (H) and naked earth cable (I) through the chain (E) in every 3-4 rings until through the ceiling loop (J).
5. INSURE THE ELECTRICITY SUPPLY IS TURNED OFF.
6. Affix the mounting bracket (B) on the outlet box.
7. Wrap both safety cable with nipples (C), push the cable into the outlet box.
8. Attach the canopy (D) to the mounting bracket (B) and secure with lock collar (A).
9. Install the bulbs on the sockets.
10. According to the illustration, install the glass sticks clusters (M) firstly, then install the glass sticks (K) secondly and install the glass sticks (L) lastly.
11. Installation is complete, turn on power at fuse or circuit breaker.

care instructions:

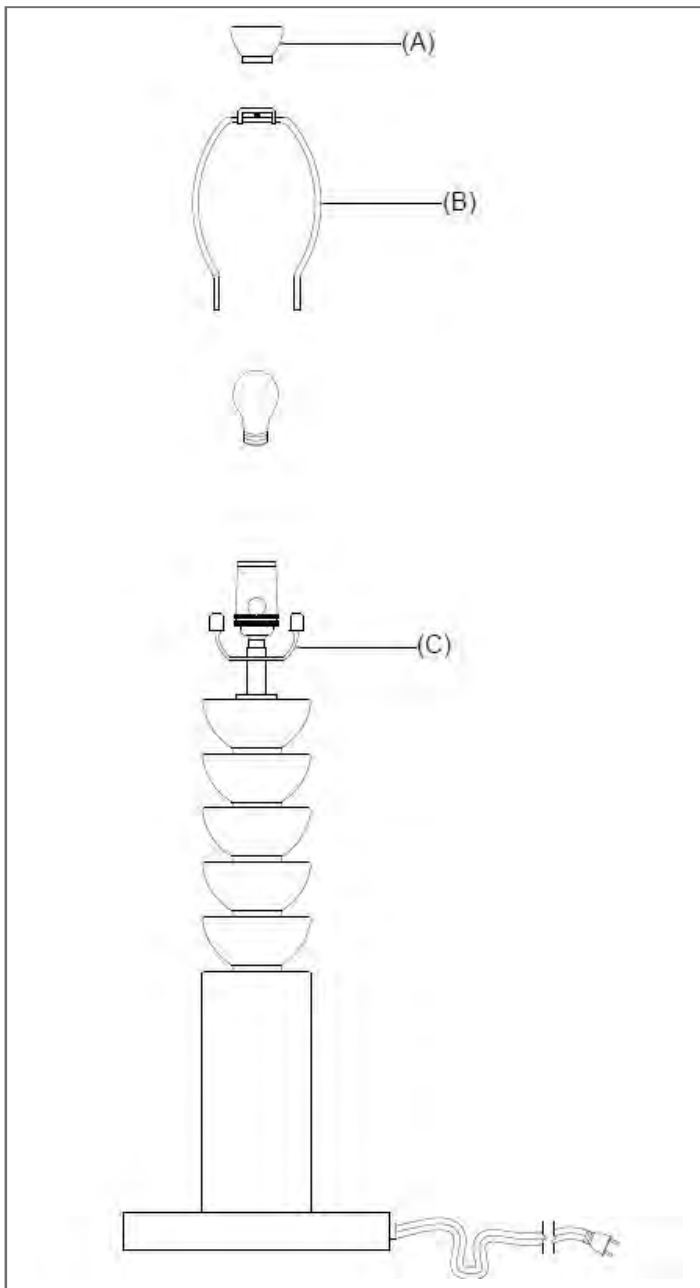
Clean with a dry, soft cloth only. Use no harsh abrasives or chemical agents.



Lathe Alabaster Table Lamp Base

Parts Enclosed:

- A) Finial- 1 Pc
- B) Harp- 1 Pc



Important Safety Instruction:

1. We recommend installation by a licensed electrician.
2. To avoid the risk of fire, do not exceed the recommended wattage for this fixture.

UL NO-E194404, UL Rating: Dry, Bulb Wattage: 100 W
conversion to max 23W SBCFL OR 9W SBLED
Bulb: 1x Type A (Not included)

Warnings:

1. Do not remove the lamp from its packaging by pulling on the power cord, as a bad connection may result.
2. To avoid the risk of fire, electrical shock, or personal injury, turn off lamp and allow it to cool prior to replacing the light bulb.
3. Do not touch the bulb when fixture is turned on or look directly at lit bulb.
4. Keep flammable material away from lit bulb

To Assemble:

1. Carefully remove all the parts from the box and remove all the protective coverings.
2. Turn OFF the power to the circuit breaker where the lamp will be installed.
3. Attach the Harp (B) to the Saddle (C).
4. Unscrew Finial (A) and place the shade (Not included) on Harp (B) and tighten the Finial (A) to the Harp (B).
5. Restore the power to the circuit breaker and test lamp fixture.

Care Instructions:

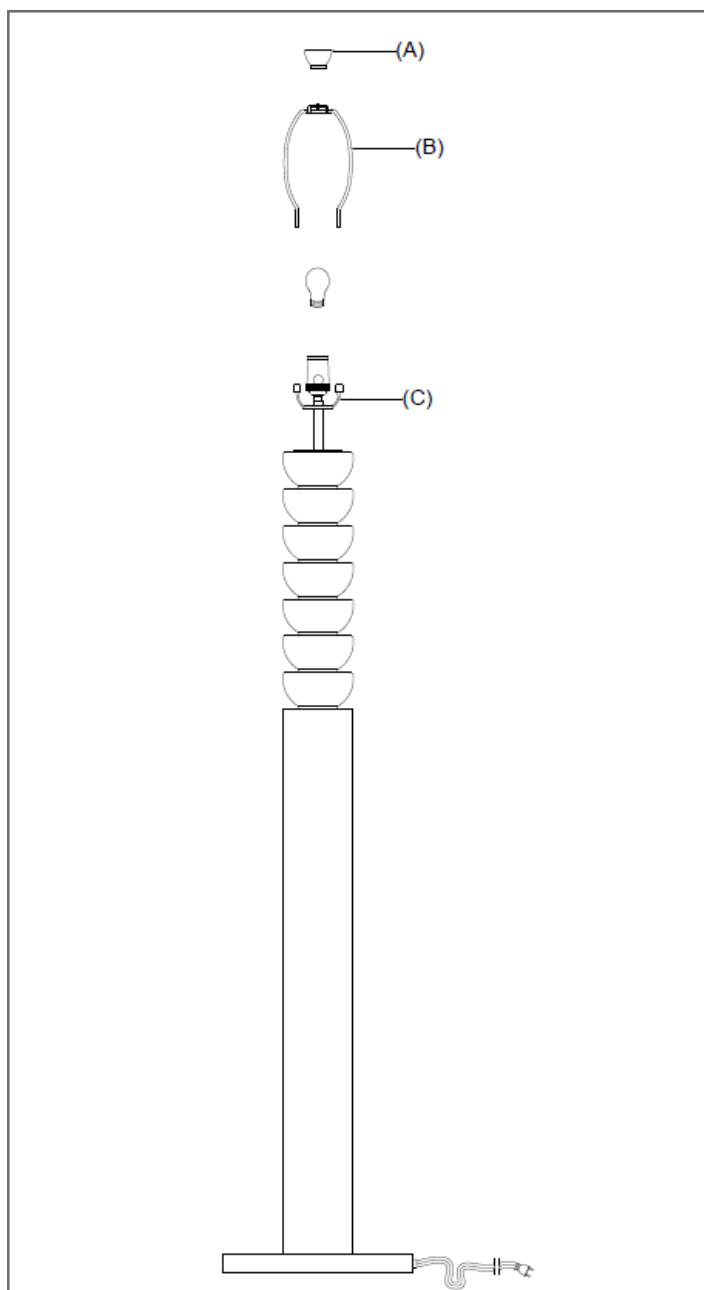
DO NOT use polishes or cleaners on your lamp. Wipe with soft, lint free cloth.

LATHE BLACK FLOOR LAMP BASE

ARHAUS[®]
your home

Parts enclosed:

- A- FINIAL- 1 PIECE
- B- HARP- 1 PIECE



Important safety instructions:

1. We recommend installation by a licensed electrician.
2. To avoid the risk of fire, do not exceed the recommended wattage for this fixture.

UL NO-E492403, UL RATING: DRY, BULB WATTAGE-100W CONVERSION TO MAX 23W SBCFL OR 9W SBLED

Bulb: 1xType A (Not included)

Warning:-

1. Do not remove the lamp from its packaging by pulling on the power cord, as a bad connection may result.
2. To avoid the risk of fire, electrical shock, or personal injury, turn off lamp and allow it to cool prior to replacing light bulb.
3. Do not touch bulb when fixture is turned on or look directly at lit bulb.
4. Keep flammable materials away from lit bulb.

To assemble:

1. Carefully remove all part from the box and remove all protective coverings.
2. Turn OFF power to the circuit breaker where the lamp will be installed.
3. Attach Harp (B) to the Saddle(C).
4. Unscrew Finial (A) & place shade on Harp (B) and tighten finial (A) to harp (B).
5. Restore Power to the circuit breaker and test lamp fixture.

Care instructions:

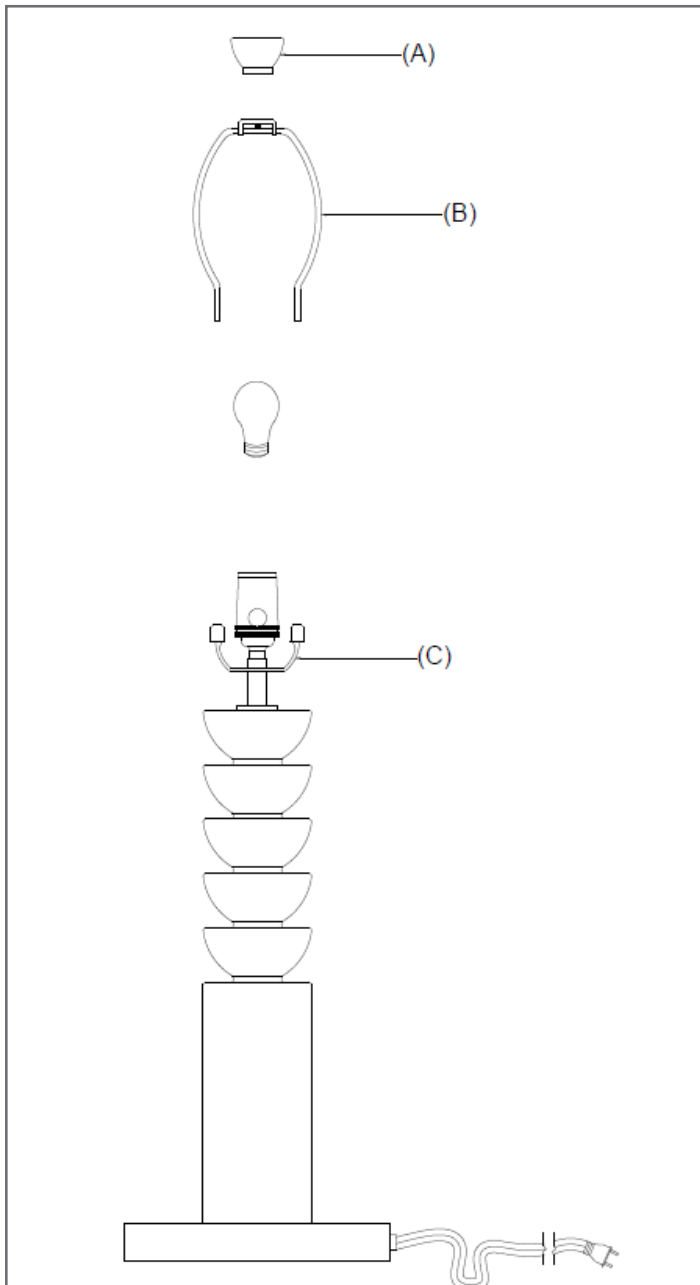
DO NOT use polishes or cleaners on your lamp.
Wipe with soft, lint free cloth.

LATHE BLACK TABLE LAMP BASE

ARHAUS[®]
your home

Parts enclosed:

- A- FINIAL- 1 PIECE
- B- HARP- 1 PIECE



Important safety instructions:

1. We recommend installation by a licensed electrician.
2. To avoid the risk of fire, do not exceed the recommended wattage for this fixture.

UL NO-E492403, UL RATING: DRY, BULB WATTAGE-100W CONVERSION TO MAX 23W SBCFL OR 9W SBLED

Bulb: 1xType A (Not included)

Warning:-

1. Do not remove the lamp from its packaging by pulling on the power cord, as a bad connection may result.
2. To avoid the risk of fire, electrical shock, or personal injury, turn off lamp and allow it to cool prior to replacing light bulb.
3. Do not touch bulb when fixture is turned on or look directly at lit bulb.
4. Keep flammable materials away from lit bulb.

To assemble:

1. Carefully remove all part from the box and remove all protective coverings.
2. Turn OFF power to the circuit breaker where the lamp will be installed.
3. Attach Harp (B) to the Saddle(C).
4. Unscrew Finial (A) & place shade on Harp (B) and tighten finial (A) to harp (B).
5. Restore Power to the circuit breaker and test lamp fixture.

Care instructions:

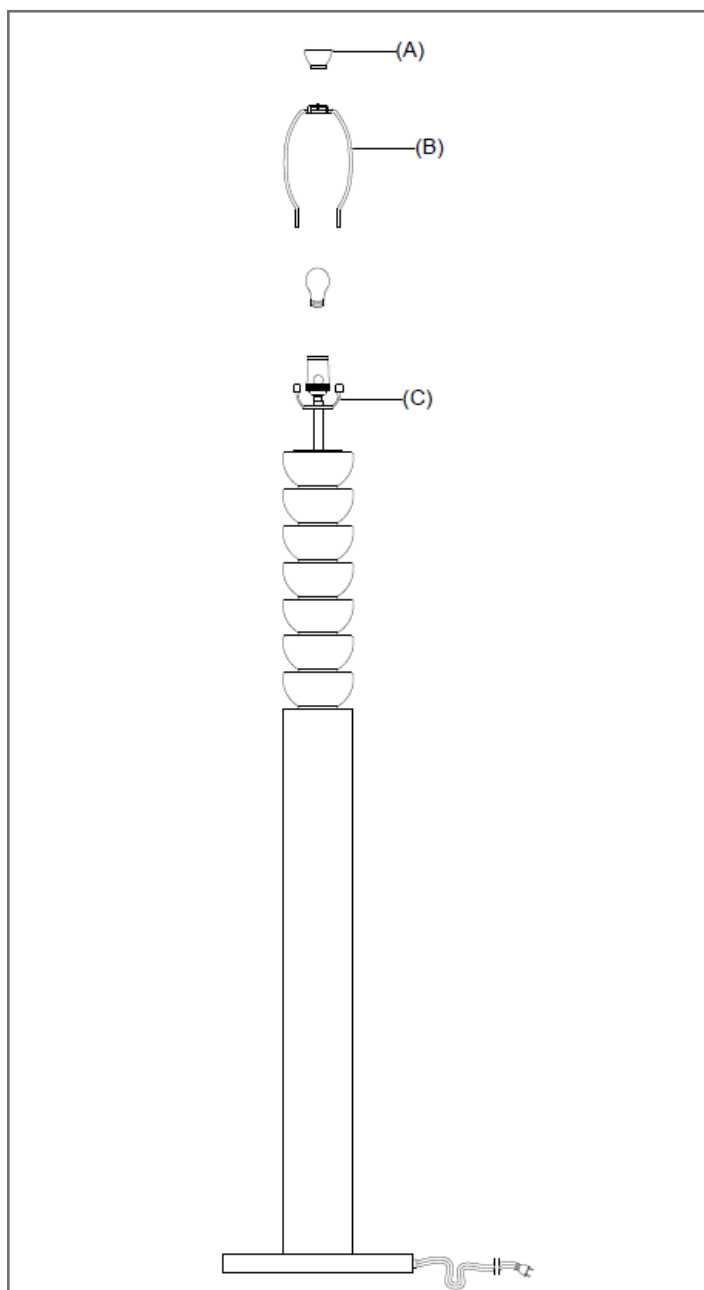
DO NOT use polishes or cleaners on your lamp.
Wipe with soft, lint free cloth.

LATHE NATURAL FLOOR LAMP BASE

ARHAUS[®]
your home

Parts enclosed:

- A- FINIAL- 1 PIECE
- B- HARP- 1 PIECE



Important safety instructions:

1. We recommend installation by a licensed electrician.
2. To avoid the risk of fire, do not exceed the recommended wattage for this fixture.

UL NO-E492403, UL RATING: DRY, BULB WATTAGE-100W CONVERSION TO MAX 23W SBCFL OR 9W SBLED

Bulb: 1xType A (Not included)

Warning:-

1. Do not remove the lamp from its packaging by pulling on the power cord, as a bad connection may result.
2. To avoid the risk of fire, electrical shock, or personal injury, turn off lamp and allow it to cool prior to replacing light bulb.
3. Do not touch bulb when fixture is turned on or look directly at lit bulb.
4. Keep flammable materials away from lit bulb.

To assemble:

1. Carefully remove all part from the box and remove all protective coverings.
2. Turn OFF power to the circuit breaker where the lamp will be installed.
3. Attach Harp (B) to the Saddle(C).
4. Unscrew Finial (A) & place shade on Harp (B) and tighten finial (A) to harp (B).
5. Restore Power to the circuit breaker and test lamp fixture.

Care instructions:

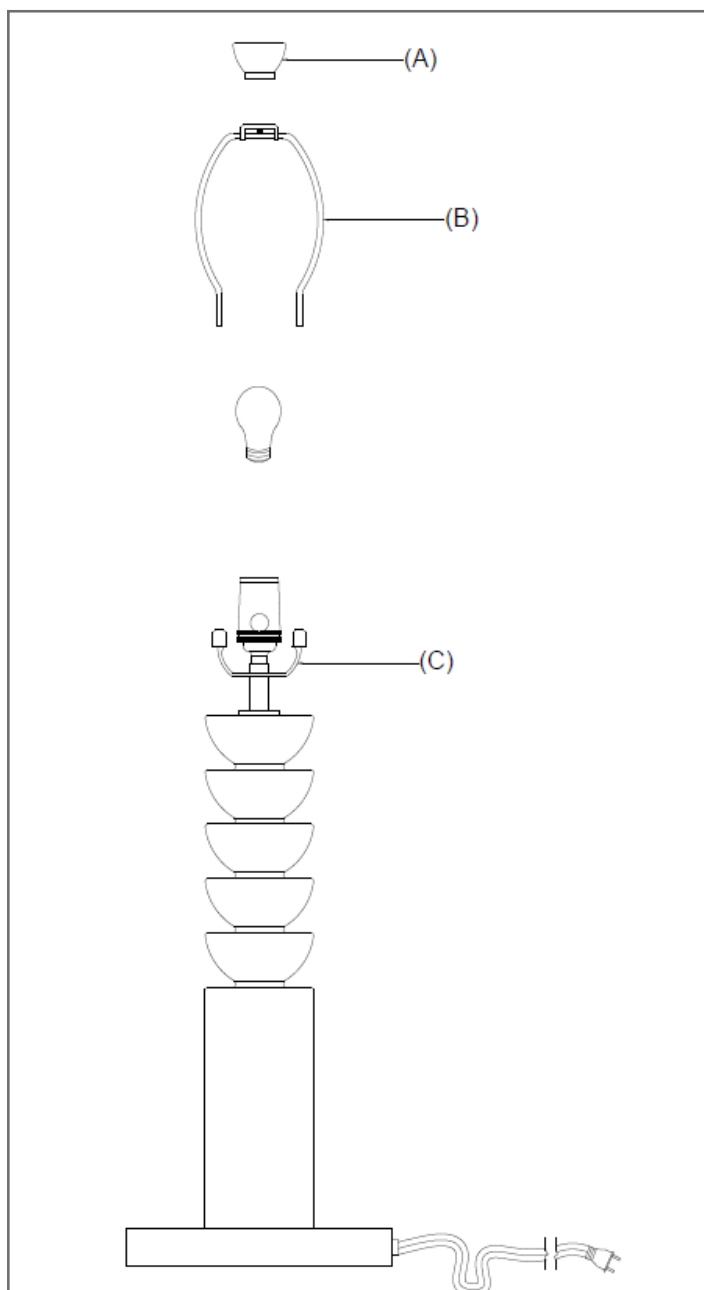
DO NOT use polishes or cleaners on your lamp.
Wipe with soft, lint free cloth.

LATHE NATURAL TABLE LAMP BASE

ARHAUS[®]
your home

Parts enclosed:

- A- FINIAL- 1 PIECE
- B- HARP- 1 PIECE



Important safety instructions:

1. We recommend installation by a licensed electrician.
2. To avoid the risk of fire, do not exceed the recommended wattage for this fixture.

UL NO-E492403, UL RATING: DRY, BULB WATTAGE-100W CONVERSION TO MAX 23W SBCFL OR 9W SBLED

Bulb: 1xType A (Not included)

Warning:-

1. Do not remove the lamp from its packaging by pulling on the power cord, as a bad connection may result.
2. To avoid the risk of fire, electrical shock, or personal injury, turn off lamp and allow it to cool prior to replacing light bulb.
3. Do not touch bulb when fixture is turned on or look directly at lit bulb.
4. Keep flammable materials away from lit bulb.

To assemble:

1. Carefully remove all part from the box and remove all protective coverings.
2. Turn OFF power to the circuit breaker where the lamp will be installed.
3. Attach Harp (B) to the Saddle(C).
4. Unscrew Finial (A) & place shade on Harp (B) and tighten finial (A) to harp (B).
5. Restore Power to the circuit breaker and test lamp fixture.

Care instructions:

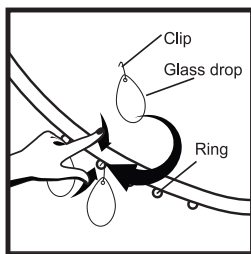
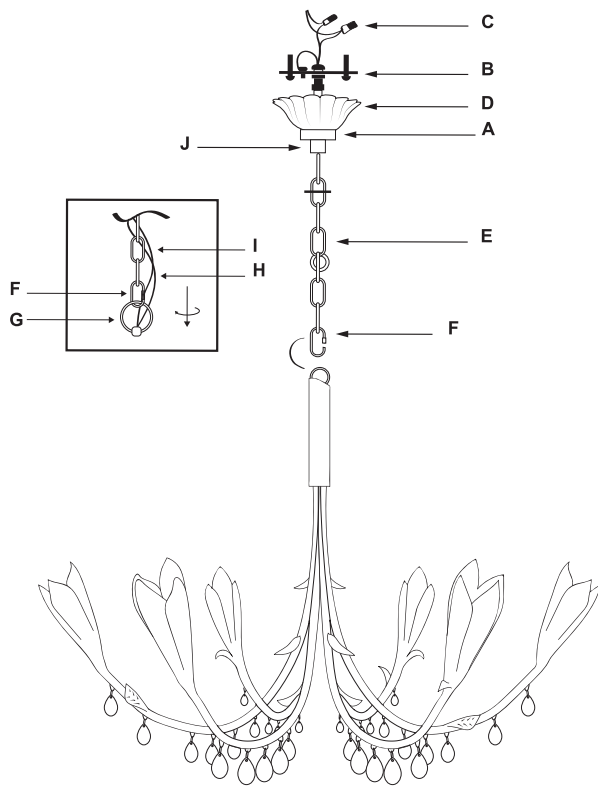
DO NOT use polishes or cleaners on your lamp.
Wipe with soft, lint free cloth.

LEAF GOLD 6-LIGHT CHANDELIER
6610149H358

ARHAUS
your home

parts enclosed:

Part	Description	Qty.	Part	Description	Qty.
A	Lock collar	1	H	Cable	1
B	Mounting Bracket	1	I	Naked Earth Cable	1
C	Nipples	3	J	Ceiling Loop	1
D	Canopy	1	K	Crystal	36
E	Chain	1			
F	Open Ring	1			
G	Loop	1			



K. 36 pieces

important safety instructions:

1. We recommend installation by a licensed electrician.
2. To avoid the risk of fire, do not exceed the recommended wattage for this fixture.

warnings: UL RATING: DRY, BULB WATTAGE 40W
BULB: 1x TYPE (NOT INCLUDED)

1. Do not remove the lamp from its packaging by pulling on the power cord, as a bad connection may result.
2. To avoid the risk of fire, electrical shock, or personal injury, turn off lamp and allow it to cool prior to replacing light bulb.
3. Do not touch bulb when fixture is turned on or look directly at lit bulb.
4. Keep flammable materials away from lit bulb.

to assemble:

1. Carefully remove all parts from the box.
2. Remove the mounting bracket (B) from the canopy (D) by loosening the lock collar (A).
3. Take off the open ring (F) and use the dimensions of the fixture as a guide, shorten the chain (E) as needed using a pair of chain pliers.
4. Use the open ring (F) to link the chain (E) and the loop (G), put the cable (H) and naked earth cable (I) through the chain (E) in every 3-4 rings until through the ceiling loop (J).
5. INSURE THE ELECTRICITY SUPPLY IS TURNED OFF.
6. Affix the mounting bracket (B) on the outlet box.
7. Wrap both safety cable with nipples (C), push the cable into the outlet box.
8. Attach the canopy (D) to the mounting bracket (B) and secure with lock collar (A).
9. Install the bulbs on the sockets.
10. Install crystals (K) using clips which are pre-assembled to glass drops.
11. Installation is complete, turn on power at fuse or circuit breaker.

care instructions:

Clean with a dry, soft cloth only. Do not use any harsh abrasives or chemical agents.

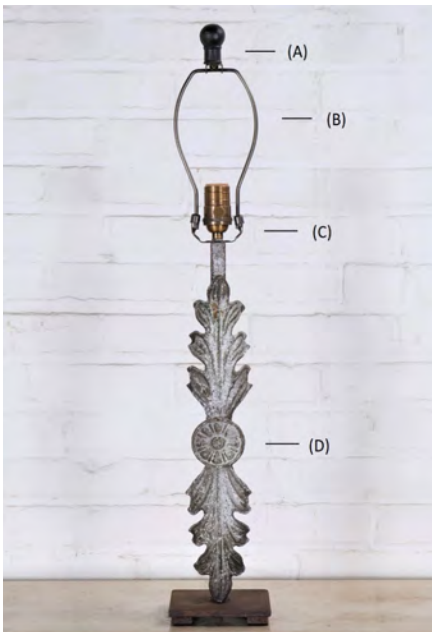
Carefully crafted by Italian artisans, this product is entirely made by hand. Individual pieces may vary in color, pattern, shape, and texture, making each truly unique.

Leaf Table Lamp

ARHAUS[®]
your home

parts enclosed:

- (A.) Finial (1)
- (B.) Harp (1)



important safety instructions:

1. To avoid the risk of fire, do not exceed the recommended wattage for this fixture.

MAX BULB WATTAGE: 250 W
BULB: 1 x A-19 (NOT INCLUDED)

warnings:

1. Do not remove the lamp from its packaging by pulling on the power cord, which could cause a bad connection.
2. To avoid the risk of fire, electrical shock, or personal injury, turn off lamp and allow it to cool prior to replacing light bulb.
3. Do not touch bulb when fixture is turned on or look directly at lit bulb.
4. Keep flammable materials away from lit bulb.

to assemble:

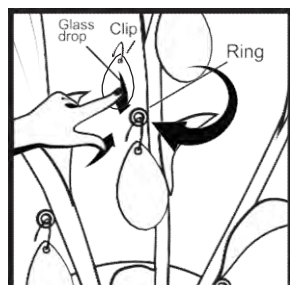
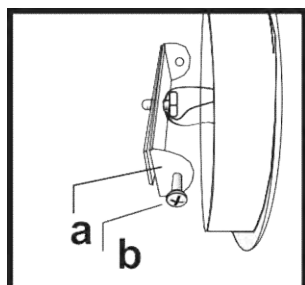
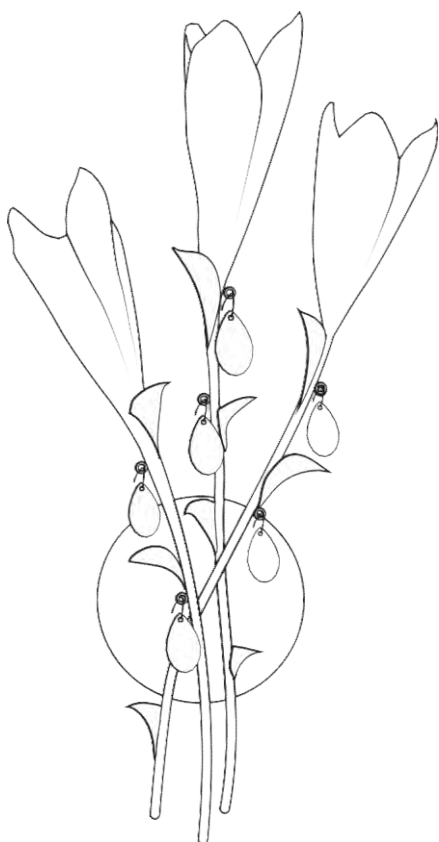
1. Remove lamp parts from carton.
2. Place the lamp base (D) on a flat surface.
3. Insert the harp (B) into the harp saddle (C).
4. Place the shade (not included) on to the harp (B).
5. Gently tighten the finial (A) and affix the shade in place.

care instructions:

Dust with a dry or dampened cloth or with a vacuum cleaner attachment

parts enclosed:

Part	Description	Qty.
A	Back Plate	1
B	Screws	2
C	Crystals	6



 C. 6 pieces

important safety instructions:

1. We recommend installation by a licensed electrician.
2. To avoid the risk of fire, do not exceed the recommended wattage for this fixture.

UL RATING: DRY, BULB WATTAGE MAX 40W
(BULB NOT INCLUDED)

warnings:

1. Do not remove the lamp from its packaging by pulling on the power cord, as a bad connection may result.
2. To avoid the risk of fire, electrical shock, or personal injury, turn off lamp and allow it to cool prior to replacing light bulb.
3. Do not touch bulb when fixture is turned on or look directly at lit bulb.
4. Keep flammable materials away from lit bulb.

to assemble:

1. Carefully remove all parts from the box and remove all protective coverings.
2. Shut OFF power to the circuit breaker where the wall sconce be installed.
3. Remove back plate (A) from base unscrewing all two screws (B) and fix the back plate (A) onto wall with screws (B).
4. After fixing back plate (A) onto outlet, fix base of wall sconce with screws (B).
5. Restore power to the circuit breaker and test wall sconce
6. Installation is complete.

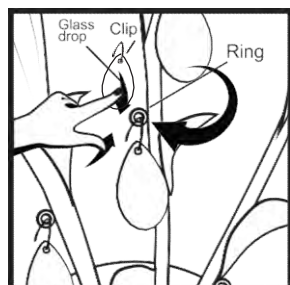
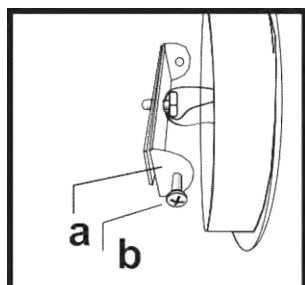
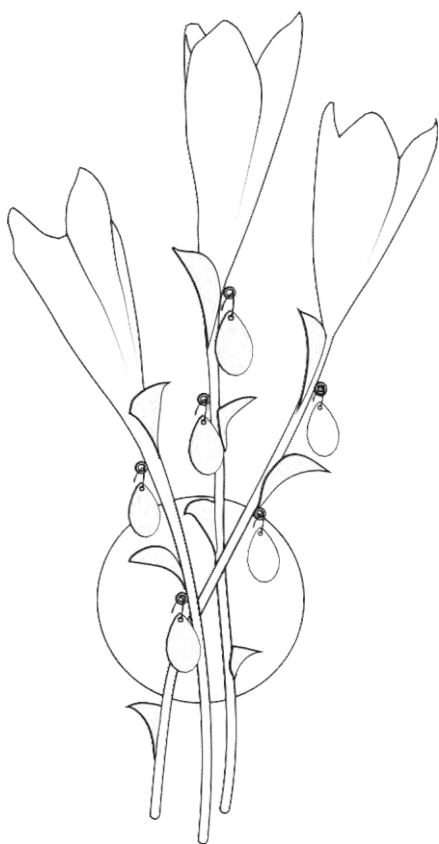
care instructions:

Clean with a dry, soft cloth only. Do not use any harsh abrasives or chemical agents.

Carefully crafted by Italian artisans, this product is entirely made by hand. Individual pieces may vary in color, pattern, shape, and texture, making each truly unique.

parts enclosed:

Part	Description	Qty.
A	Back Plate	1
B	Screws	2
C	Crystals	6



 **C. 6 pieces**

important safety instructions:

1. We recommend installation by a licensed electrician.
2. To avoid the risk of fire, do not exceed the recommended wattage for this fixture.

UL RATING: DRY, BULB WATTAGE MAX 40W
(BULB NOT INCLUDED)

warnings:

1. Do not remove the lamp from its packaging by pulling on the power cord, as a bad connection may result.
2. To avoid the risk of fire, electrical shock, or personal injury, turn off lamp and allow it to cool prior to replacing light bulb.
3. Do not touch bulb when fixture is turned on or look directly at lit bulb.
4. Keep flammable materials away from lit bulb.

to assemble:

1. Carefully remove all parts from the box and remove all protective coverings.
2. Shut OFF power to the circuit breaker where the wall sconce be installed.
3. Remove back plate (A) from base unscrewing all two screws (B) and fix the back plate (A) onto wall with screws (B).
4. After fixing back plate (A) onto outlet, fix base of wall sconce with screws (B).
5. Restore power to the circuit breaker and test wall sconce
6. Installation is complete.

care instructions:

Clean with a dry, soft cloth only. Do not use any harsh abrasives or chemical agents.

Carefully crafted by Italian artisans, this product is entirely made by hand. Individual pieces may vary in color, pattern, shape, and texture, making each truly unique.

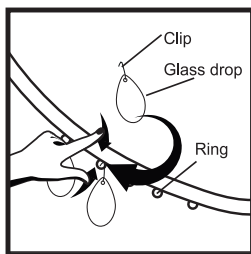
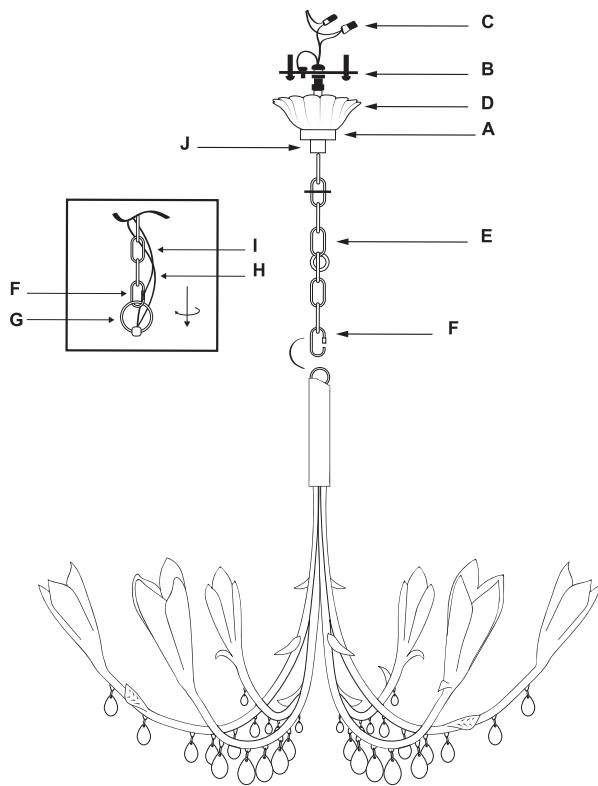
LEAF SILVER 6-LIGHT CHANDELIER
6610149H362

ARHAUS

your home

parts enclosed:

Part	Description	Qty.	Part	Description	Qty.
A	Lock collar	1	H	Cable	1
B	Mounting Bracket	1	I	Naked Earth Cable	1
C	Nipples	3	J	Ceiling Loop	1
D	Canopy	1	K	Crystal	36
E	Chain	1			
F	Open Ring	1			
G	Loop	1			



K. 36 pieces

important safety instructions:

1. We recommend installation by a licensed electrician.
2. To avoid the risk of fire, do not exceed the recommended wattage for this fixture.

warnings: UL RATING: DRY, BULB WATTAGE 40W
BULB: 1x TYPE (NOT INCLUDED)

1. Do not remove the lamp from its packaging by pulling on the power cord, as a bad connection may result.
2. To avoid the risk of fire, electrical shock, or personal injury, turn off lamp and allow it to cool prior to replacing light bulb.
3. Do not touch bulb when fixture is turned on or look directly at lit bulb.
4. Keep flammable materials away from lit bulb.

to assemble:

1. Carefully remove all parts from the box.
2. Remove the mounting bracket (B) from the canopy (D) by loosening the lock collar (A).
3. Take off the open ring (F) and use the dimensions of the fixture as a guide, shorten the chain (E) as needed using a pair of chain pliers.
4. Use the open ring (F) to link the chain (E) and the loop (G), put the cable (H) and naked earth cable (I) through the chain (E) in every 3-4 rings until through the ceiling loop (J).
5. INSURE THE ELECTRICITY SUPPLY IS TURNED OFF.
6. Affix the mounting bracket (B) on the outlet box.
7. Wrap both safety cable with nipples (C), push the cable into the outlet box.
8. Attach the canopy (D) to the mounting bracket (B) and secure with lock collar (A).
9. Install the bulbs on the sockets.
10. Install crystals (K) using clips which are pre-assembled to glass drops.
11. Installation is complete, turn on power at fuse or circuit breaker.

care instructions:

Clean with a dry, soft cloth only. Do not use any harsh abrasives or chemical agents.

Carefully crafted by Italian artisans, this product is entirely made by hand. Individual pieces may vary in color, pattern, shape, and texture, making each truly unique.

LEAF SILVER8-LIGHT FLUSHMOUNT
6610149H363

ARHAUS

your home

parts enclosed:

Part	Description	Qty.	Part	Description	Qty.
A-B	Mounting bracket	1	a	Green ground screw	1
C	Canopy	1	b	Plastic wire connectors	3
D	Canopy Screws	2			
E	Crystal	64			

important safety instructions:

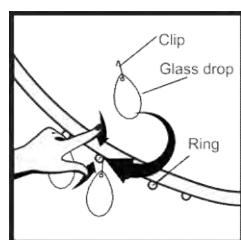
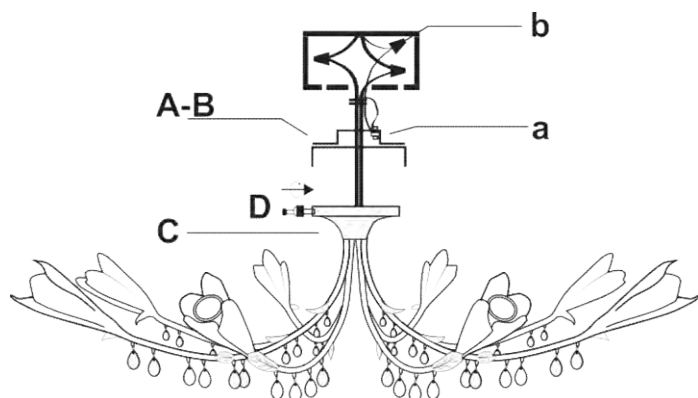
1. We recommend installation by a licensed electrician.
2. To avoid the risk of fire, do not exceed the recommended wattage for this fixture.

warnings: UL RATING: DRY, BULB WATTAGE MAX 40W
(BULB NOT INCLUDED)

1. Do not remove the lamp from its packaging by pulling on the power cord, as a bad connection may result.
2. To avoid the risk of fire, electrical shock, or personal injury, turn off lamp and allow it to cool prior to replacing light bulb.
3. Do not touch bulb when fixture is turned on or look directly at lit bulb.
4. Keep flammable materials away from lit bulb.

to assemble:

1. Carefully remove all parts from the box.
2. Shut OFF power to the junction from the main fuse box/circuit breaker where the fixture will be installed.
3. Separate mounting brackets (A-B) from canopy (C) by unscrewing all two canopy screws (D). Attach mounting brackets (A-B) to the outlet box.
4. Connect the hot wire on the fixture to the hot outlet box wire (usually black) with a plastic wire connector (b) and wrap the connection with electrical tape.
5. Connect the neutral wire on the fixture to the neutral outlet box wire (usually white) with a plastic wire connector (b) and wrap the connection with electrical tape.
6. Attach the ground wire from the fixture to the ground junction box wire from the outlet box (usually green) Or wrap the ground wire around the green ground screw (a).
7. Tuck the wire connectons neatly into the ceiling outlet box.
8. Raise the fixture and attach the canopy (C) to the mounting bracket (B). Use the canopy screws (D) to secure the canopy (C).
9. Insert the recommended bulbs (not included) into the sockets.
10. Restore power to the junction box and test the fixture.
11. Installation is complete.



E. 64 pieces

Carefully crafted by Italian artisans, this product is entirely made by hand. Individual pieces may vary in color, pattern, shape, and texture, making each truly unique.

care instructions:

Clean with a dry, soft cloth only. Do not use any harsh abrasives or chemical agents.

LEAF GOLD 8-LIGHT FLUSHMOUNT
6610149H359

ARHAUS

your home

parts enclosed:

Part	Description	Qty.	Part	Description	Qty.
A-B	Mounting bracket	1	a	Green ground screw	1
C	Canopy	1	b	Plastic wire connectors	3
D	Canopy Screws	2			
E	Crystal	64			

important safety instructions:

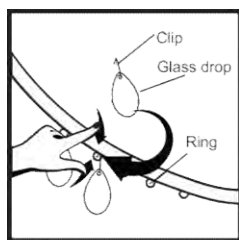
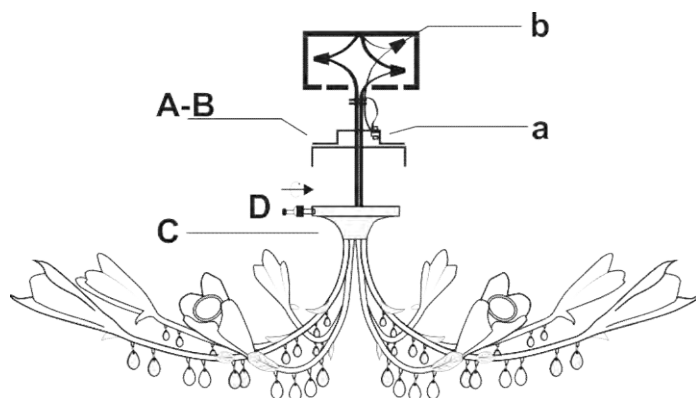
1. We recommend installation by a licensed electrician.
2. To avoid the risk of fire, do not exceed the recommended wattage for this fixture.


warnings: UL RATING: DRY, BULB WATTAGE MAX 40W
(BULB NOT INCLUDED)

1. Do not remove the lamp from its packaging by pulling on the power cord, as a bad connection may result.
2. To avoid the risk of fire, electrical shock, or personal injury, turn off lamp and allow it to cool prior to replacing light bulb.
3. Do not touch bulb when fixture is turned on or look directly at lit bulb.
4. Keep flammable materials away from lit bulb.

to assemble:

1. Carefully remove all parts from the box.
2. Shut OFF power to the junction from the main fuse box/circuit breaker where the fixture will be installed.
3. Separate mounting brackets (A-B) from canopy (C) by unscrewing all two canopy screws (D). Attach mounting brackets (A-B) to the outlet box.
4. Connect the hot wire on the fixture to the hot outlet box wire (usually black) with a plastic wire connector (b) and wrap the connection with electrical tape.
5. Connect the neutral wire on the fixture to the neutral outlet box wire (usually white) with a plastic wire connector (b) and wrap the connection with electrical tape.
6. Attach the ground wire from the fixture to the ground junction box wire from the outlet box (usually green) Or wrap the ground wire around the green ground screw (a).
7. Tuck the wire connectons neatly into the ceiling outlet box.
8. Raise the fixture and attach the canopy (C) to the mounting bracket (B). Use the canopy screws (D) to secure the canopy (C).
9. Insert the recommended bulbs (not included) into the sockets.
10. Restore power to the junction box and test the fixture.
11. Installation is complete.



 E. 64 pieces

Carefully crafted by Italian artisans, this product is entirely made by hand. Individual pieces may vary in color, pattern, shape, and texture, making each truly unique.

care instructions:

Clean with a dry, soft cloth only. Do not use any harsh abrasives or chemical agents.

LEAF GOLD 12 - LIGHT CHANDELIER
6610149H360

ARHAUS

your home

parts enclosed:

Part	Description	Qty.	Part	Description	Qty.
A	Lock collar	1	H	Cable	1
B	Mounting Bracket	1	I	Naked Earth Cable	1
C	Nipples	3	J	Ceiling Loop	1
D	Canopy	1	K	Crystal	90
E	Chain	1			
F	Open Ring	1			
G	Loop	1			

important safety instructions:

1. We recommend installation by a licensed electrician.
2. To avoid the risk of fire, do not exceed the recommended wattage for this fixture.

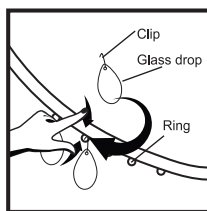
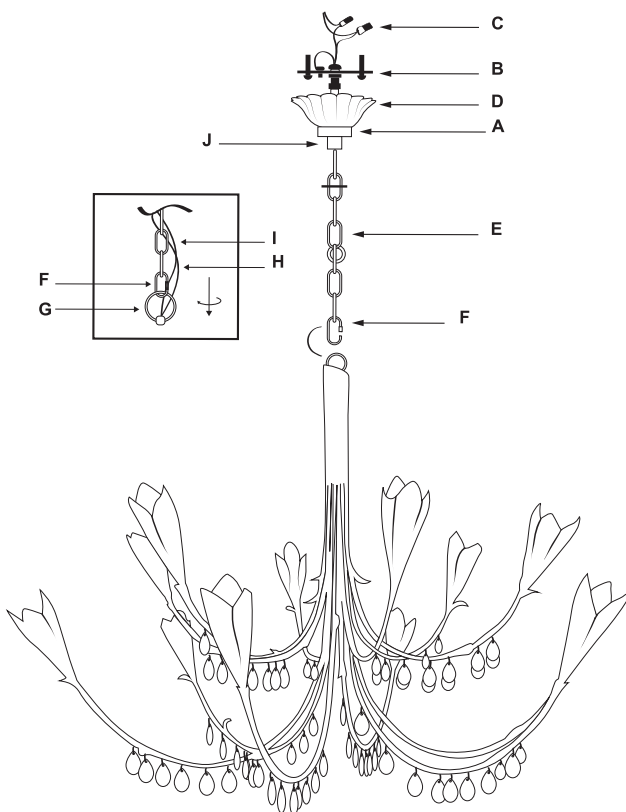
UL RATING: DRY, BULB WATTAGE 40W

warnings: BULB: 1x TYPE (NOT INCLUDED)

1. Do not remove the lamp from its packaging by pulling on the power cord, as a bad connection may result.
2. To avoid the risk of fire, electrical shock, or personal injury, turn off lamp and allow it to cool prior to replacing light bulb.
3. Do not touch bulb when fixture is turned on or look directly at lit bulb.
4. Keep flammable materials away from lit bulb.

to assemble:

1. Carefully remove all parts from the box.
2. Remove the mounting bracket (B) from the canopy (D) by loosening the lock collar (A).
3. Take off the open ring (F) and use the dimensions of the fixture as a guide, shorten the chain (E) as needed using a pair of chain pliers.
4. Use the open ring (F) to link the chain (E) and the loop (G), put the cable (H) and naked earth cable (I) through the chain (E) in every 3-4 rings until through the ceiling loop (J).
5. INSURE THE ELECTRICITY SUPPLY IS TURNED OFF.
6. Affix the mounting bracket (B) on the outlet box.
7. Wrap both safety cable with nipples (C), push the cable into the outlet box.
8. Attach the canopy (D) to the mounting bracket (B) and secure with lock collar (A).
9. Install the bulbs on the sockets. (NOT INCLUDED)
10. Install crystals (K) using clips which are pre-assembled to glass drops.
11. Installation is complete, turn on power at fuse or circuit breaker.



K. 90 pieces

Carefully crafted by Italian artisans, this product is entirely made by hand. Individual pieces may vary in color, pattern, shape, and texture, making each truly unique.

care instructions:

Clean with a dry, soft cloth only. Use no harsh abrasives or chemical agents.

LEAF SILVER 12 – LIGHT CHANDELIER
6610149H364

ARHAUS
your home

parts enclosed:

Part	Description	Qty.	Part	Description	Qty.
A	Lock collar	1	H	Cable	1
B	Mounting Bracket	1	I	Naked Earth Cable	1
C	Nipples	3	J	Ceiling Loop	1
D	Canopy	1	K	Crystal	90
E	Chain	1			
F	Open Ring	1			
G	Loop	1			

important safety instructions:

1. We recommend installation by a licensed electrician.
2. To avoid the risk of fire, do not exceed the recommended wattage for this fixture.

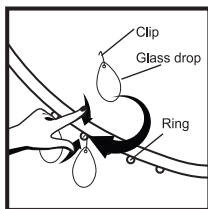
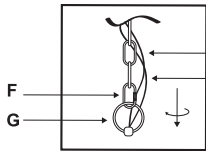
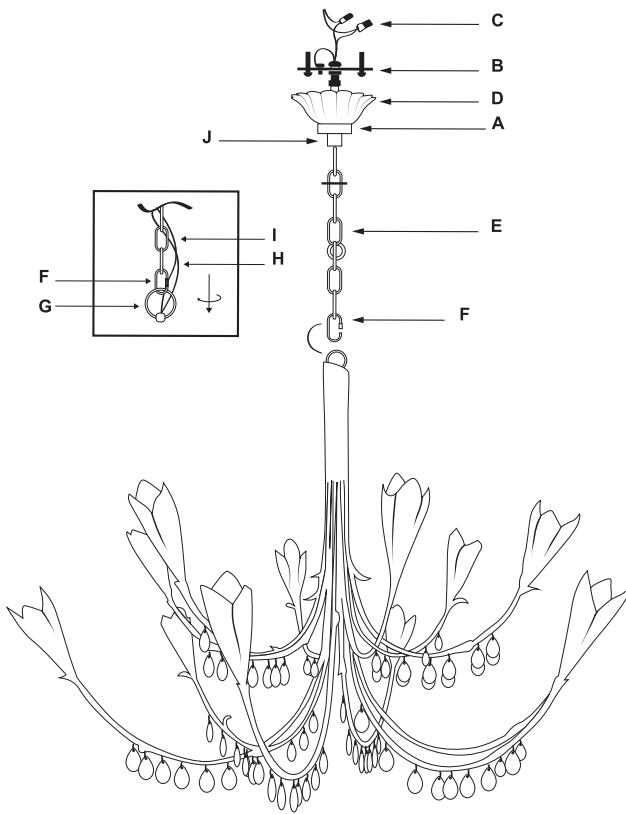
UL RATING: DRY, BULB WATTAGE 40W

warnings: BULB: 1x TYPE (NOT INCLUDED)

1. Do not remove the lamp from its packaging by pulling on the power cord, as a bad connection may result.
2. To avoid the risk of fire, electrical shock, or personal injury, turn off lamp and allow it to cool prior to replacing light bulb.
3. Do not touch bulb when fixture is turned on or look directly at lit bulb.
4. Keep flammable materials away from lit bulb.

to assemble:

1. Carefully remove all parts from the box.
2. Remove the mounting bracket (B) from the canopy (D) by loosening the lock collar (A).
3. Take off the open ring (F) and use the dimensions of the fixture as a guide, shorten the chain (E) as needed using a pair of chain pliers.
4. Use the open ring (F) to link the chain (E) and the loop (G), put the cable (H) and naked earth cable (I) through the chain (E) in every 3-4 rings until through the ceiling loop (J).
5. INSURE THE ELECTRICITY SUPPLY IS TURNED OFF.
6. Affix the mounting bracket (B) on the outlet box.
7. Wrap both safety cable with nipples (C), push the cable into the outlet box.
8. Attach the canopy (D) to the mounting bracket (B) and secure with lock collar (A).
9. Install the bulbs on the sockets. (NOT INCLUDED)
10. Install crystals (K) using clips which are pre-assembled to glass drops.
11. Installation is complete, turn on power at fuse or circuit breaker.









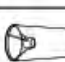
K. 90 pieces

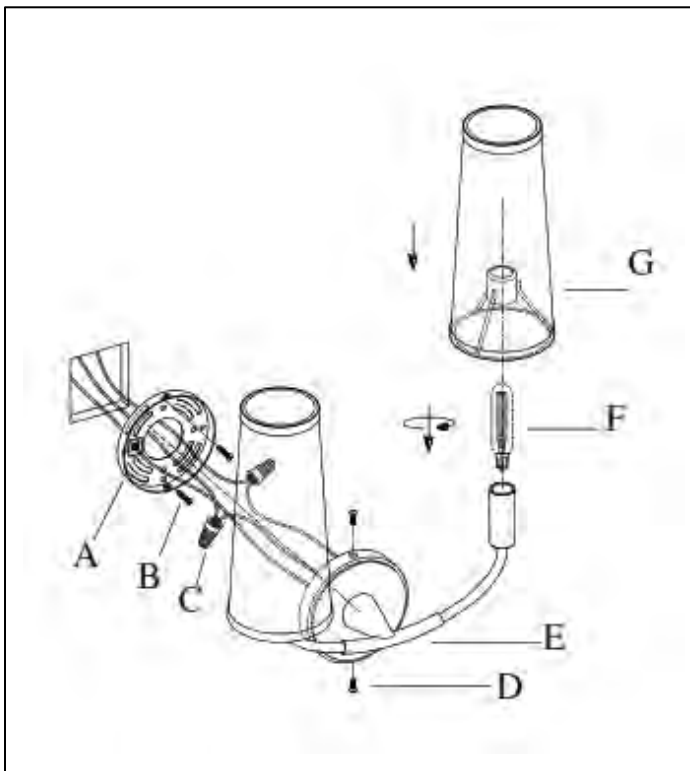
Carefully crafted by Italian artisans, this product is entirely made by hand. Individual pieces may vary in color, pattern, shape, and texture, making each truly unique.

care instructions:

Clean with a dry, soft cloth only. Use no harsh abrasives or chemical agents.

parts enclosed:

ITEM	DIAGRAM	DESCRIPTION	QTY
(A)		MOUNTING PLATE	1
(B)		MOUNTING SCREW	3
(C)		WIRE CONNECTOR	3
(D)		PLATE SCREW	2
(E)		SCONCE BODY	1
(F)		BULB	2
(G)		SHADE	2



important safety instructions:

WE RECOMMEND INSTALLATION BY A LICENSED ELECTRICIAN.

to assemble:

1. Remove all packing contents and parts from the carton(s) carefully
2. Please be sure you have all parts indicated before you begin assembly.
3. turn off power to the junction box where the lamp will be installed.
4. remove the mounting plate (a) from the back plate of sconce(b) by loose plate screws(d).
5. pull the electrical cord of "j box" through the exit hole of the mounting plate(a).
6. Attach the ground wire from the fixture to the ground junction box wire from the outlet (usually green or bare wire). Fasten each together with a plastic wire connector (c) and wrap the connection with electrical tape. If your outlet box does not have a ground wire, insert the green ground screw into the mounting plate (a) facing down, and wrap the fixture's bare ground wire around the ground screw. It is imperative that the outlet box in your home be properly grounded.
7. Connect the neutral fixture wire to the neutral junction box wire (usually white). Fasten each together with a wire connector (c) and wrap the connection with electrical tape. Be sure no strands are exposed.
8. connect the hot fixture wire to the hot junction box wire (usually black). Fasten each together with a plastic wire connector (c) and wrap the connection with electrical tape. Be sure no wire strands are exposed. Do not reverse the hot and neutral connections or safety will be compromised.
9. Gently tuck the wire connections neatly into the wall junction box.
10. attach the mounting plate (a) to the outlet box using the mounting screws(b), tighten with a screwdriver.
11. attach the back plate to the mounting plate(a) using the enclosed plate screws(d). Tighten screws with a screwdriver
12. install two type t 5w led bulb (f, not included) into threaded socket.








Do not exceed specified wattage.

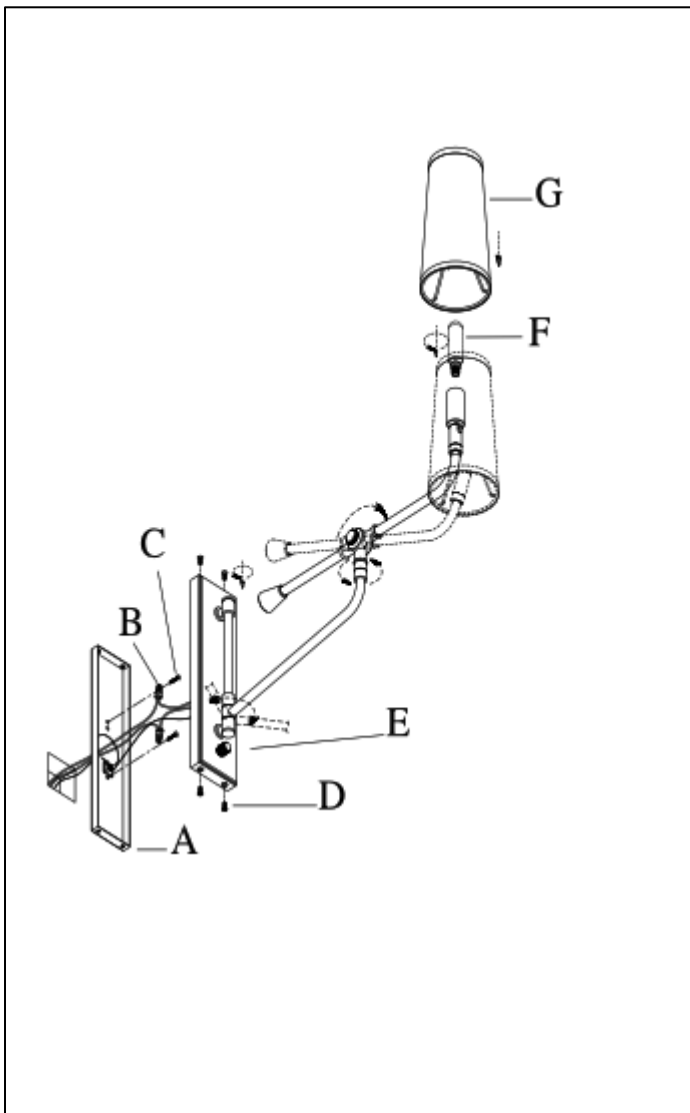
13. take the shade(g) from another carton, then place the shade cover the bulb till secure.

care instructions:

1. Wipe clean with a soft, dry cloth or static duster.
2. Always avoid the use of chemicals or abrasive cleaners as they may cause damage to finish on the sconce.

parts enclosed:

ITEM	DIAGRAM	DESCRIPTION	QTY
(A)		MOUNTING PLATE	1
(B)		MOUNTING SCREW	3
(C)		WIRE CONNECTOR	3
(D)		PLATE SCREW	4
(E)		SCONCE BODY	1
(F)		BULB	1
(G)		SHADE	1



important safety instructions:

WE RECOMMEND INSTALLATION BY A LICENSED ELECTRICIAN.

to assemble:

1. Remove all packing contents and parts from the carton(s) carefully
2. Please be sure you have all parts indicated before you begin assembly.
3. turn off power to the junction box where the lamp will be installed.
4. remove the mounting plate (a) from the back plate of sconce(b) by loose plate screws(d).
5. pull the electrical cord of "j box" through the exit hole of the mounting plate(a).
6. Attach the ground wire from the fixture to the ground junction box wire from the outlet (usually green or bare wire). Fasten each together with a plastic wire connector (c) and wrap the connection with electrical tape. If your outlet box does not have a ground wire, insert the green ground screw into the mounting plate (a) facing down, and wrap the fixture's bare ground wire around the ground screw. It is imperative that the outlet box in your home be properly grounded.
7. Connect the neutral fixture wire to the neutral junction box wire (usually white). Fasten each together with a wire connector (c) and wrap the connection with electrical tape. Be sure no strands are exposed.
8. connect the hot fixture wire to the hot junction box wire (usually black). Fasten each together with a plastic wire connector (c) and wrap the connection with electrical tape. Be sure no wire strands are exposed. Do not reverse the hot and neutral connections or safety will be compromised.
9. Gently tuck the wire connections neatly into the wall junction box.
10. attach the mounting plate (a) to the outlet box using the mounting screws(b), tighten with a screwdriver.
11. attach the back plate to the mounting plate(a) using the enclosed plate screws(d). Tighten screws with a screwdriver
12. install one type t 5w led bulb (f, not included) into threaded socket.

Do not exceed specified wattage.

13. take the shade(g) from another carton, then place the shade cover the bulb till secure.

*PLEASE NOTE THE SCONCE CAN BE SWIIVEL AS THE DOTTED LINES SHOWN

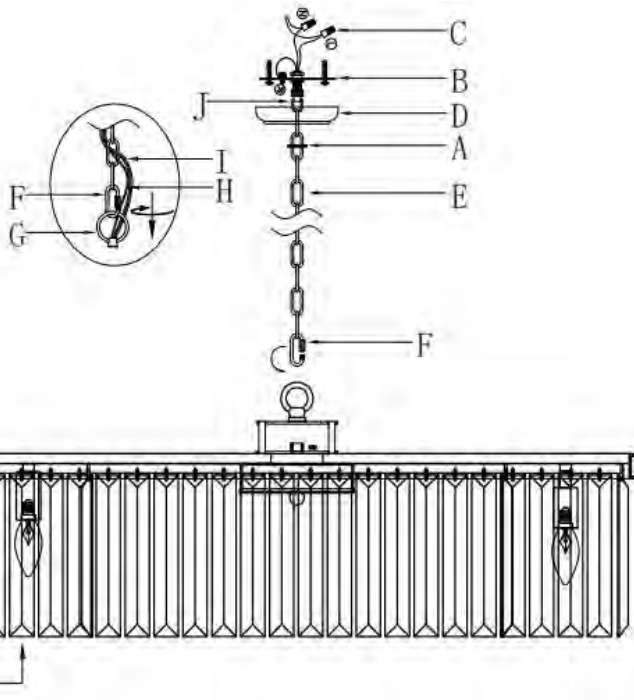
care instructions:

1. Wipe clean with a soft, dry cloth or static duster.
2. Always avoid the use of chemicals or abrasive cleaners as they may cause damage to finish on the sconce.

LEYLAND 1-TIER BRONZE CHAND
662036H201

parts enclosed:

Part	Description	Qty.	Part	Description	Qty.
A	screws	2	G	loop	1
B	mounting bracket	1	H	cable	1
C	nipples	3	I	naked earth cable	1
D	canopy	1	J	ceiling loop	1
E	chain	1	K	crystals	116
F	open ring	1			



important safety instructions:

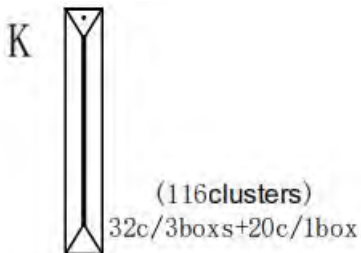
1. We recommend installation by a licensed electrician.
2. To avoid the risk of fire, do not exceed the recommended wattage for this fixture.

warnings:

1. Do not remove the lamp from its packaging by pulling on the power cord, as a bad connection may result.
2. To avoid the risk of fire, electrical shock, or personal injury, turn off lamp and allow it to cool prior to replacing light bulb.
3. Do not touch bulb when fixture is turned on or look directly at lit bulb.
4. Keep flammable materials away from lit bulb.

to assemble:

1. Carefully remove all parts from the box.
2. Remove the mounting bracket (B) from the canopy (D) by loosening the screws (A).
3. Taking off the open ring (F) and use the dimensions of the fixture as a guide, shorten the chain (E) as needed using a pair of chain pliers.
4. Use the open ring (F) to link the chain (E) and the loop (G), then put the cable (H) and naked earth cable (I) through the chain (E) in every 3-4 rings until through the ceiling loop (J).
5. INSURE THE ELECTRICITY SUPPLY IS TURNED OFF.
6. Affix the mounting bracket (B) on the outlet box.
7. Wrap both safety cable with nipples (C), push the cable into the outlet box.
8. Attach the canopy (D) to the mounting bracket (B) and secure with lock collar (A).
9. Install the bulbs on the sockets.
10. Install the crystals (K) on the lamp body according to the illustration.
11. Installation is complete, turn on power at fuse or circuit breaker.

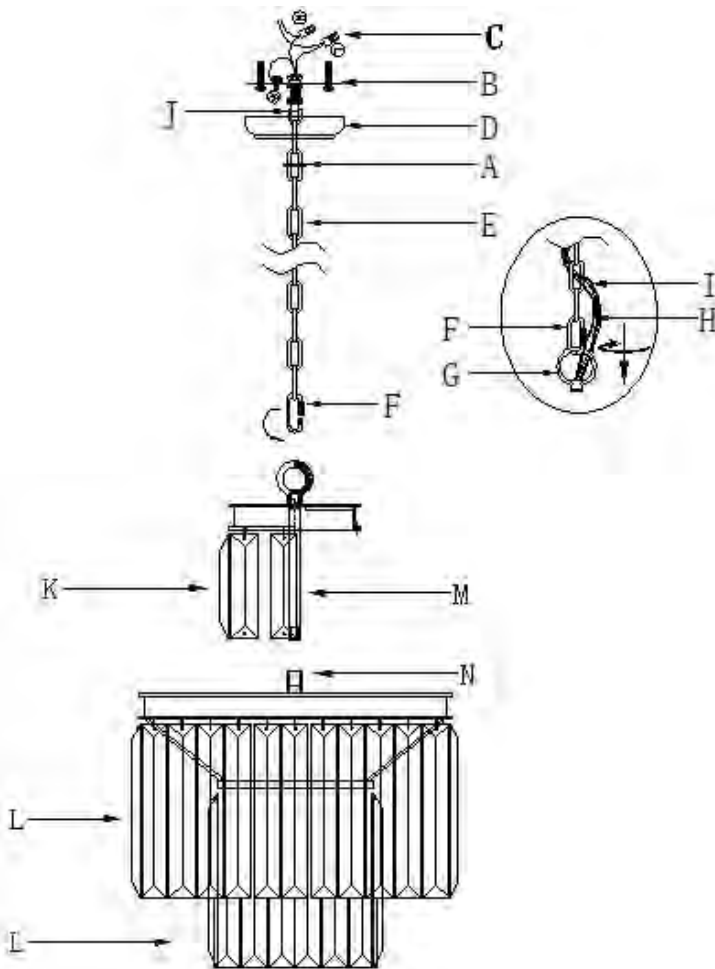


care instructions:

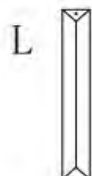
Clean with a dry, soft cloth only. Use no harsh abrasives or chemical agents.

parts enclosed:

Part	Description	Qty.	Part	Description	Qty.
A	lock collar	1	H	cable	1
B	mounting bracket	1	I	naked earth cable	1
C	nipples	3	J	ceiling loop	1
D	canopy	1	K	crystal stick #k	14
E	chain	1	L	crystal stick #L	48
F	open ring	1	M	top part	1
G	loop	1	N	screw nipple	1



(14clusters)
14c/bag
1bag



(48clusters)
48c/box
1box

important safety instructions:

1. We recommend installation by a licensed electrician.
2. To avoid the risk of fire, do not exceed the recommended wattage for this fixture.

warnings:

1. Do not remove the lamp from its packaging by pulling on the power cord, as a bad connection may result.
2. To avoid the risk of fire, electrical shock, or personal injury, turn off lamp and allow it to cool prior to replacing light bulb.
3. Do not touch bulb when fixture is turned on or look directly at lit bulb.
4. Keep flammable materials away from lit bulb.

to assemble:

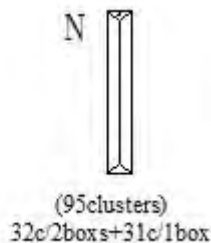
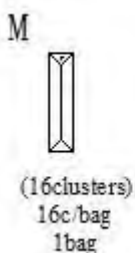
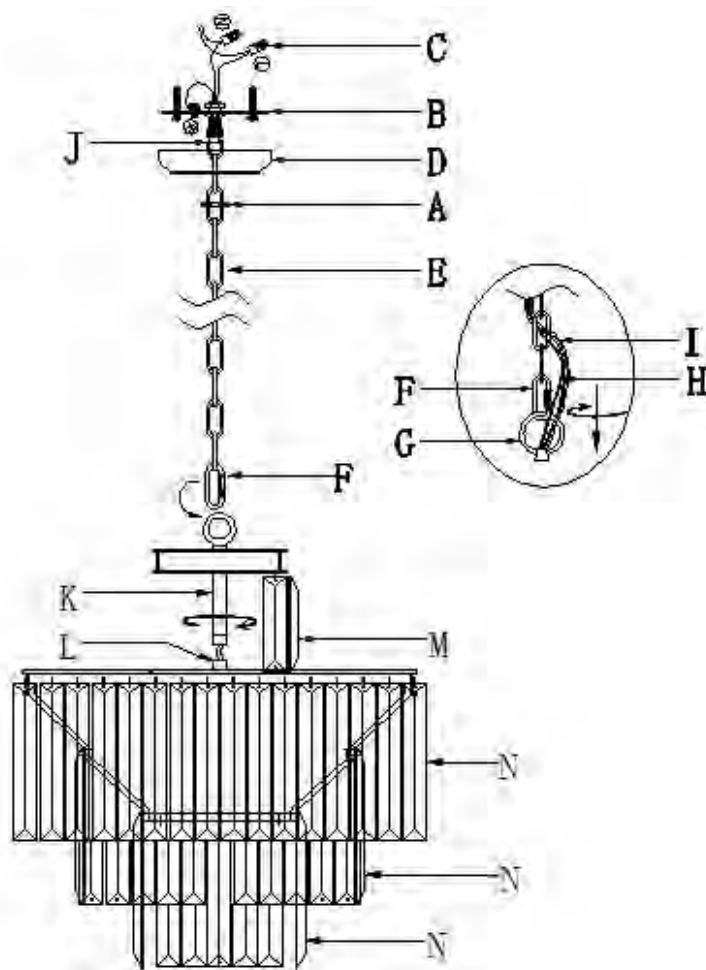
1. Carefully remove all parts from the box.
2. Remove the mounting bracket (B) from the canopy (D) by loosening the lock collar (A).
3. Install the top part (M) on the screw nipple (N).
4. Taking off the open ring (F) and use the dimensions of the fixture as a guide, shorten the chain (E) as needed using a pair of chain pliers.
5. Use the open ring (F) to link the chain (E) and the loop (G), then put the cable (H) and naked earth cable (I) through the chain (E) in every 3-4 rings until through the ceiling loop (J).
6. INSURE THE ELECTRICITY SUPPLY IS TURNED OFF.
7. Affix the mounting bracket (B) on the outlet box.
8. Wrap both safety cable with nipples (C), push the cable into the outlet box.
9. Attach the canopy (D) to the mounting bracket (B) and secure with lock collar (A).
10. Install the bulbs on the sockets.
11. Install the crystal sticks (K) / (L) in the right places according to the illustration.
12. Installation is complete, turn on power at fuse or circuit breaker.

care instructions:

Clean with a dry, soft cloth only. Use no harsh abrasives or chemical agents.

parts enclosed:

Part	Description	Qty.	Part	Description	Qty.
A	lock collar	1	H	cable	1
B	mounting bracket	1	I	naked earth cable	1
C	nipples	3	J	ceiling loop	1
D	canopy	1	K	the open ring	1
E	chain	1	L	screw nipple	1
F	open ring	1	M	crystal stick #M	16
G	loop	1	N	crystal stick #N	95



important safety instructions:

1. We recommend installation by a licensed electrician.
2. To avoid the risk of fire, do not exceed the recommended wattage for this fixture.

warnings:

1. Do not remove the lamp from its packaging by pulling on the power cord, as a bad connection may result.
2. To avoid the risk of fire, electrical shock, or personal injury, turn off lamp and allow it to cool prior to replacing light bulb.
3. Do not touch bulb when fixture is turned on or look directly at lit bulb.
4. Keep flammable materials away from lit bulb.

to assemble:

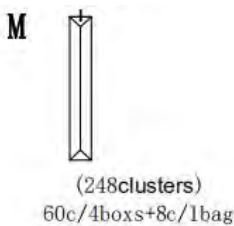
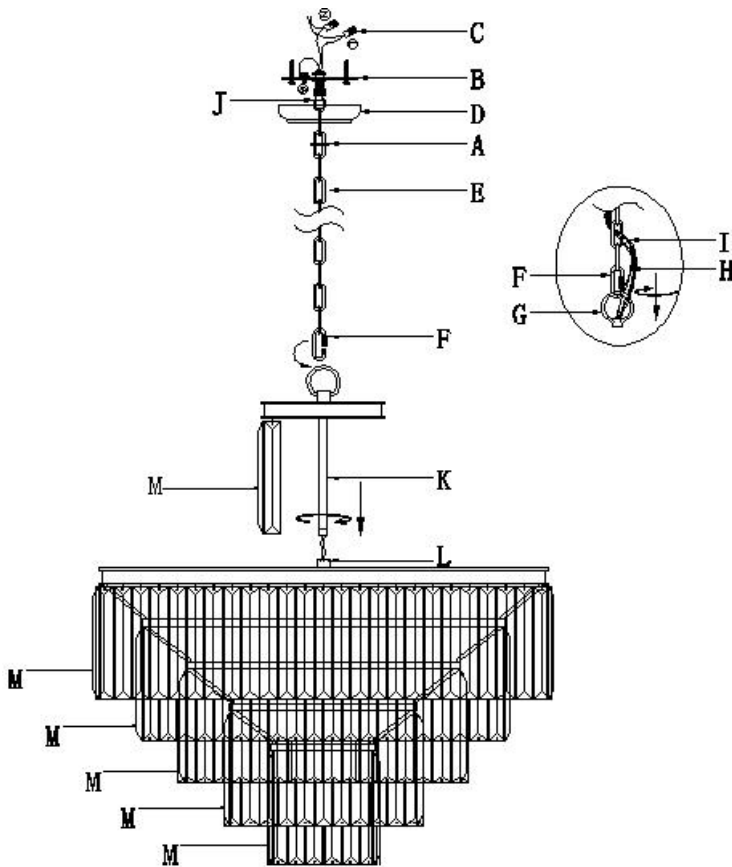
1. Carefully remove all parts from the box.
2. Remove the mounting bracket (B) from the canopy (D) by loosening the lock collar (A).
3. Install the top part (K) on the screw nipple (L).
4. Taking off the open ring (F) and use the dimensions of the fixture as a guide, shorten the chain (E) as needed using a pair of chain pliers.
5. Use the open ring (F) to link the chain (E) and the loop (G), then put the cable (H) and naked earth cable (I) through the chain (E) in every 3-4 rings until through the ceiling loop (J).
6. INSURE THE ELECTRICITY SUPPLY IS TURNED OFF.
7. Affix the mounting bracket (B) on the outlet box.
8. Wrap both safety cable with nipples (C), push the cable into the outlet box.
9. Attach the canopy (D) to the mounting bracket (B) and secure with lock collar (A).
10. Install the bulbs on the sockets.
11. Install the crystal sticks (M) / (N) in the right places according to the illustration.
12. Installation is complete, turn on power at fuse or circuit breaker.

care instructions:

Clean with a dry, soft cloth only. Use no harsh abrasives or chemical agents.

parts enclosed:

Part	Description	Qty.	Part	Description	Qty.
A	lock collar	1	H	cable	1
B	mounting bracket	1	I	naked earth cable	1
C	nipples	3	J	ceiling loop	1
D	canopy	1	K	top part	1
E	chain	1	L	screw nipple	1
F	open ring	1	M	crystal sticks #M	248
G	loop	1			



important safety instructions:

1. We recommend installation by a licensed electrician.
2. To avoid the risk of fire, do not exceed the recommended wattage for this fixture.
3. Chandeliers weighing more than 50 lbs. cannot be mounted alone to a standard outlet box and require additional bracing above the ceiling where they are to be installed. Professional installation is required.

warnings:

1. Do not remove the lamp from its packaging by pulling on the power cord, as a bad connection may result.
2. To avoid the risk of fire, electrical shock, or personal injury, turn off lamp and allow it to cool prior to replacing light bulb.
3. Do not touch bulb when fixture is turned on or look directly at lit bulb.
4. Keep flammable materials away from lit bulb.

to assemble:

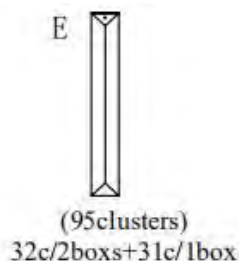
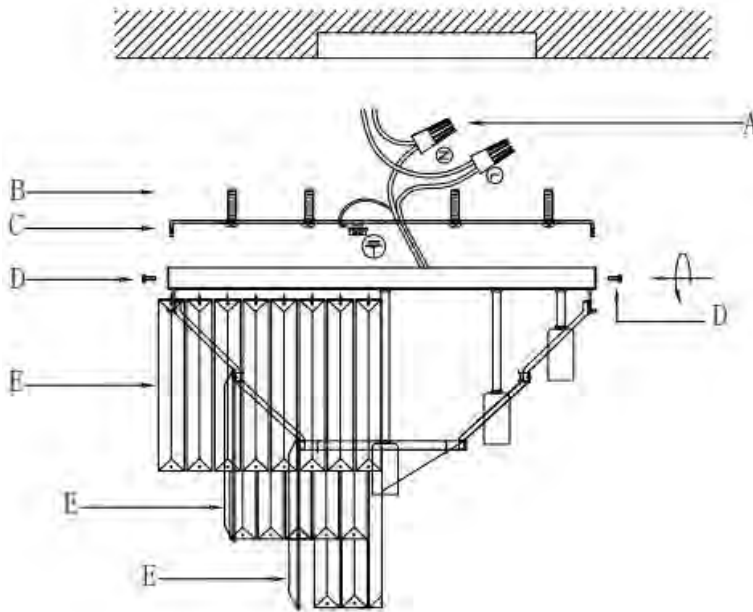
1. Carefully remove all parts from the box.
2. Remove the mounting bracket (B) from the canopy (D) by loosening the lock collar (A).
3. Install the top part (K) on the screw nipple (L).
4. Taking off the open ring (F) and use the dimensions of the fixture as a guide, shorten the chain (E) as needed using a pair of chain pliers.
5. Use the open ring (F) to link the chain (E) and the loop (G), then put the cable (H) and naked earth cable (I) through the chain (E) in every 3-4 rings until through the ceiling loop (J).
6. INSURE THE ELECTRICITY SUPPLY IS TURNED OFF.
7. Affix the mounting bracket (B) on the outlet box.
8. Wrap both safety cable with nipples (C), push the cable into the outlet box.
9. Attach the canopy (D) to the mounting bracket (B) and secure with lock collar (A).
10. Install the bulbs on the sockets.
11. Install the crystal sticks (M) in the right places according to the illustration.
12. Installation is complete, turn on power at fuse or circuit breaker.

care instructions:

Clean with a dry, soft cloth only. Use no harsh abrasives or chemical agents.

parts enclosed:

Part	Description	Qty.
A	nipples	3
B	mounting screws	4
C	mounting bracket	1
D	screws	4
E	crystals	95



important safety instructions:

1. We recommend installation by a licensed electrician.
2. To avoid the risk of fire, do not exceed the recommended wattage for this fixture.

warnings:

1. Do not remove the lamp from its packaging by pulling on the power cord, as a bad connection may result.
2. To avoid the risk of fire, electrical shock, or personal injury, turn off lamp and allow it to cool prior to replacing light bulb.
3. Do not touch bulb when fixture is turned on or look directly at lit bulb.
4. Keep flammable materials away from lit bulb.

to assemble:

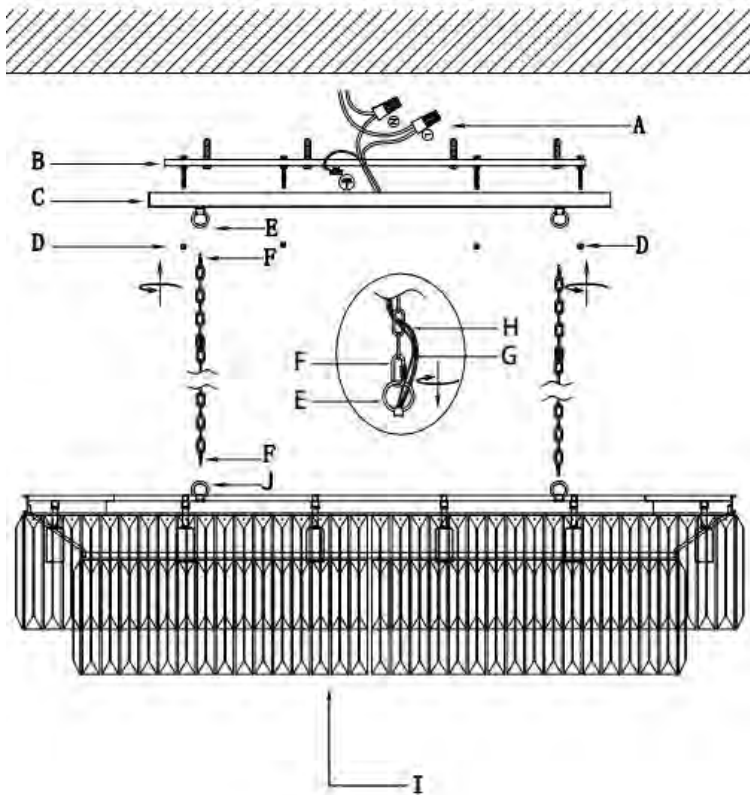
1. Carefully remove all parts from the box.
2. Remove the mounting bracket (C) from the base by loosening the screws (D).
3. Affix the mounting bracket (C) on the outlet box with the mounting screws (B).
4. INSURE THE ELECTRICITY SUPPLY IS TURNED OFF.
5. Hold the lamp body and wrap both safety cable with nipples (A).
6. Attach the base to the mounting bracket (C) and then fix it with push the cable into the outlet box.
7. Install the bulbs on the sockets side screws (D) with a screwdriver.
8. Install the crystals (E) on the lamp body according to the illustration.
9. Installation is complete, turn on power at fuse or circuit breaker.

care instructions:

Clean with a dry, soft cloth only. Use no harsh abrasives or chemical agents.

parts enclosed:

Part	Description	Qty.
A	nipples	3
B	mounting bracket	1
C	rectangular base	1
D	screws	4
E	ceiling loops	2
F	open rings	2
G	cable	1
H	naked earth cable	1
I	crystals	168
J	loops	2



(168clusters)
60c/2boxes+48c/1box

important safety instructions:

1. We recommend installation by a licensed electrician.
2. To avoid the risk of fire, do not exceed the recommended wattage for this fixture.

warnings:

1. Do not remove the lamp from its packaging by pulling on the power cord, as a bad connection may result.
2. To avoid the risk of fire, electrical shock, or personal injury, turn off lamp and allow it to cool prior to replacing light bulb.
3. Do not touch bulb when fixture is turned on or look directly at lit bulb.
4. Keep flammable materials away from lit bulb.

to assemble:

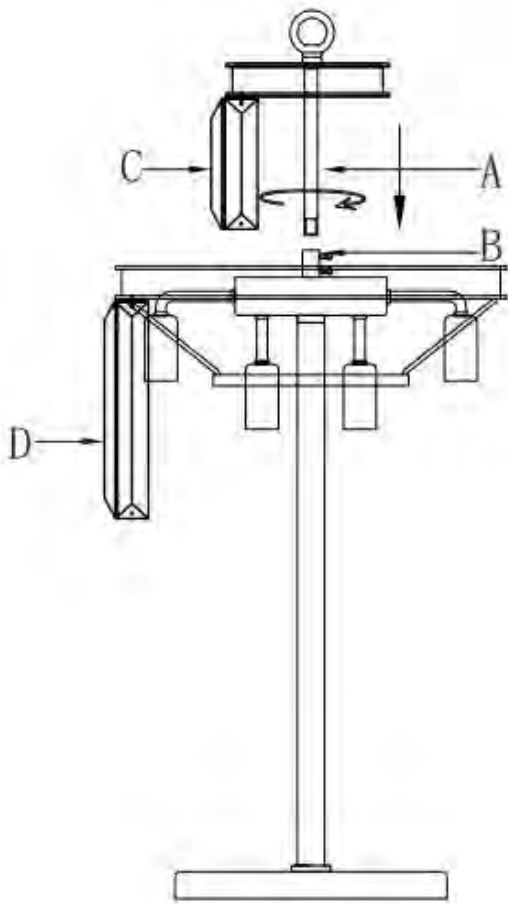
1. Carefully remove all parts from the box.
2. Remove the mounting bracket (B) from the rectangular base (C) by loosening the screws (D).
3. Taking off the open ring (F) and use the dimensions of the fixture as a guide, shorten the chain as needed using a pair of chain pliers.
4. Use the open ring (F) to link the chain and the loop (J), then put the cable (G) and naked earth cable (H) through the chain in every 3-4 rings until through the ceiling loop (E).
5. INSURE THE ELECTRICITY SUPPLY IS TURNED OFF.
6. Affix the mounting bracket (B) on the outlet box.
7. Hold the lamp body and wrap both safety cable with nipples (A), push the cable into the outlet box.
8. Attach the rectangular base (C) to the mounting bracket (B) and secure with screws (D).
9. Install the bulbs on the sockets.
10. Install the crystals (I) on the lamp body according to the illustration.
11. Installation is complete, turn on power at fuse or circuit breaker.

care instructions:

Clean with a dry, soft cloth only. Use no harsh abrasives or chemical agents.

parts enclosed:

Part	Description	Qty.
A	top part	1
B	screw nipple	1
C	crystal #C	14
D	crystal #D	48



important safety instructions:

1. We recommend installation by a licensed electrician.
2. To avoid the risk of fire, do not exceed the recommended wattage for this fixture.

warnings:

1. Do not remove the lamp from its packaging by pulling on the power cord, as a bad connection may result.
2. To avoid the risk of fire, electrical shock, or personal injury, turn off lamp and allow it to cool prior to replacing light bulb.
3. Do not touch bulb when fixture is turned on or look directly at lit bulb.
4. Keep flammable materials away from lit bulb.

to assemble:

1. Carefully remove all parts from the box.
2. Install the top part (A) in the screw nipple (B).
3. Install the bulbs on the sockets.
4. Install the crystals (C)/(D) on the lamp body according to the illustration.
5. Plug the lamp into wall outlet.

C



(14clusters)
14c/bag
1bag

D



(48clusters)
24c/bag
2bag

care instructions:

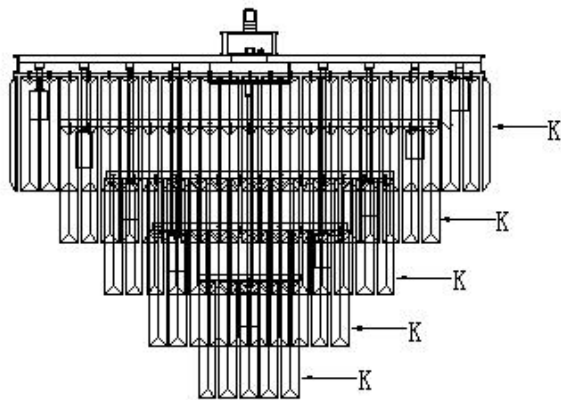
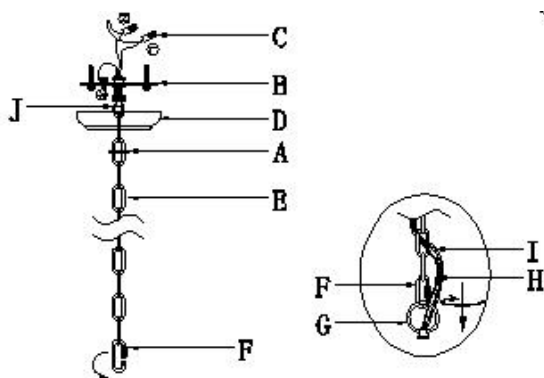
Clean with a dry, soft cloth only. Use no harsh abrasives or chemical agents.

PARTS INVENTORY

Super Category	Product ID	Description	Stat	Collection	Route
LIGHTING	912036BR4CH	LEYLAND 4MM BRS 12 FT CHAIN .16" X 12 FT BRASS CHAIN	A	PT-LEYLAND	PART
LIGHTING	912036BR4CH6	LEYLAND 4MM BRS 6 FT CHAIN .16" X 6 FT BRASS CHAIN	A	PT-LEYLAND	PART
LIGHTING	912036BZ4CH	LEYLAND 4MM BRZ 12 FT CHAIN .16" X 12 FT BRONZE CHAIN	A	PT-LEYLAND	PART
LIGHTING	912036BZ4CH6	LEYLAND 4MM BRZ 6 FT CHAIN .16" X 6 FT BRONZE CHAIN	A	PT-LEYLAND	PART
LIGHTING	912036NK4CH	LEYLAND 4MM NIK 12 FT CHAIN .16" X 12 FT NICKEL CHAIN	A	PT-LEYLAND	PART
LIGHTING	912036NK4CH6	LEYLAND 4MM NIK 6 FT CHAIN .16" X 6 FT NICKEL CHAIN	A	PT-LEYLAND	PART
LIGHTING	912036BR6CH	LEYLAND 6MM BRS 12 FT CHAIN .24" X 12 FT BRASS CHAIN	A	PT-LEYLAND	PART
LIGHTING	912036BR6CH6	LEYLAND 6MM BRS 6 FT CHAIN .24" X 6 FT BRASS CHAIN	A	PT-LEYLAND	PART
LIGHTING	912036BZ6CH	LEYLAND 6MM BRZ 12 FT CHAIN .24" X 12 FT BRONZE CHAIN	A	PT-LEYLAND	PART
LIGHTING	912036BZ6CH6	LEYLAND 6MM BRZ 6 FT CHAIN .24" X 6 FT BRONZE CHAIN	A	PT-LEYLAND	PART
LIGHTING	912036NK6CH	LEYLAND 6MM NIK 12 FT CHAIN .24" X 12 FT NICKEL CHAIN	A	PT-LEYLAND	PART
LIGHTING	912036NK6CH6	LEYLAND 6MM NIK 6 FT CHAIN .24" X 6 FT NICKEL CHAIN	A	PT-LEYLAND	PART
LIGHTING	912036BRCN	LEYLAND BRASS ROUND CANOPY 4.75" DIAM CANOPY W/ HRDWR	A	PT-LEYLAND	PART
LIGHTING	912036L482F	LEYLAND BRONZE LAMP FINIAL BRONZE LAMP FINIAL-TBL OR FLR	A	PT-LEYLAND	PART
LIGHTING	912036BZCN	LEYLAND BRONZE ROUND CANOPY 4.75" DIAM CANOPY W/ HRDWR	A	PT-LEYLAND	PART
LIGHTING	65LEYFLRBASE	LEYLAND FLOOR LAMP - BASE ONLY REPLACEMENT BASE	T	PT-LEYLAND	PART
LIGHTING	912036LEYCRL	LEYLAND LARGE CRYSTAL 8" CRYSTAL	A	PT-LEYLAND	PART
LIGHTING	912036NKN	LEYLAND NICKEL ROUND CANOPY 4.75" DIAM CANOPY W/ HRDWR	A	PT-LEYLAND	PART
LIGHTING	912036BRCNR	LEYLAND RECT BRASS CANOPY 32" X 4.75" RECT CANOPY	A	PT-LEYLAND	PART
LIGHTING	912036BZCNR	LEYLAND RECT BRONZE CANOPY 32" X 4.75" RECT CANOPY	A	PT-LEYLAND	PART
LIGHTING	912036NKCNR	LEYLAND RECT NICKEL CANOPY 32" X 4.75" RECT CANOPY	A	PT-LEYLAND	PART
LIGHTING	912036LEYCL	LEYLAND S/10 BRONZE CLIPS SET OF 10 BRONZE CLIPS	A	PT-LEYLAND	PART
LIGHTING	912036LEYCRS	LEYLAND SMALL CRYSTAL 5" CRYSTAL	A	PT-LEYLAND	PART

parts enclosed:

Part	Description	Qty.	Part	Description	Qty.
A	lock collar	1	G	loop	1
B	mounting bracket	1	H	cable	1
C	nipples	3	I	naked earth cable	1
D	canopy	1	J	ceiling loop	1
E	chain	1	K	crystal stick	272
F	open ring	1			



(272clusters)
60c/4boxs+32c/1box

important safety instructions:

1. We recommend installation by a licensed electrician.
2. To avoid the risk of fire, do not exceed the recommended wattage for this fixture.

warnings:

1. Do not remove the lamp from its packaging by pulling on the power cord, as a bad connection may result.
2. To avoid the risk of fire, electrical shock, or personal injury, turn off lamp and allow it to cool prior to replacing light bulb.
3. Do not touch bulb when fixture is turned on or look directly at lit bulb.
4. Keep flammable materials away from lit bulb.

to assemble:

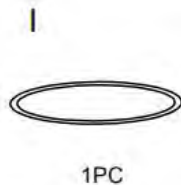
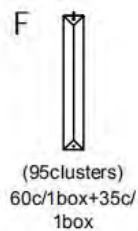
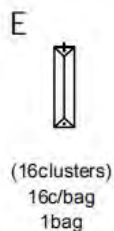
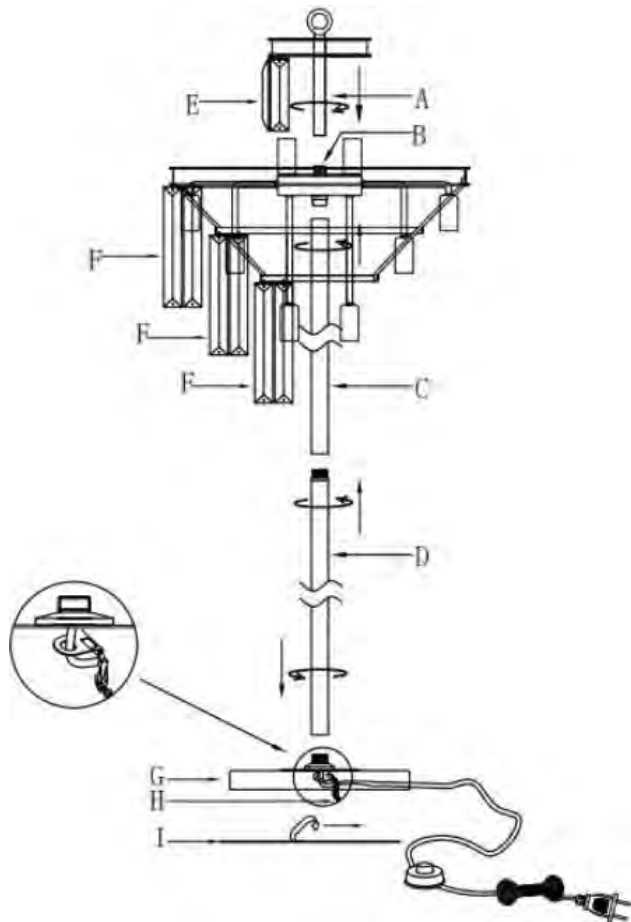
1. Carefully remove all parts from the box.
2. Remove the mounting bracket (B) from the canopy (D) by loosening the lock collar (A).
3. Taking off the open ring (F) and use the dimensions of the fixture as a guide, shorten the chain (E) as needed using a pair of chain pliers.
4. Use the open ring (F) to link the chain (E) and the loop (G), then put the cable (H) and naked earth cable (I) through the chain (E) in every 3-4 rings until through the ceiling loop (J).
5. INSURE THE ELECTRICITY SUPPLY IS TURNED OFF.
6. Affix the mounting bracket (B) on the outlet box.
7. Wrap both safety cable with nipples (C), push the cable into the outlet box.
8. Attach the canopy (D) to the mounting bracket (B) and secure with lock collar (A).
9. Install the bulbs on the sockets.
10. Install the crystal sticks (K) in the right places according to the illustration.
11. Installation is complete, turn on power at fuse or circuit breaker.

care instructions:

Clean with a dry, soft cloth only. Use no harsh abrasives or chemical agents.

parts enclosed:

Part	Description	Qty.
A	top part	1
B	screw nipple	1
C	centre pole #C	1
D	centre pole #D	1
E	crystals #E	16
F	crystals #F	95
G	base	1
H	buckle	1
I	flannelette	1



important safety instructions:

1. We recommend installation by a licensed electrician.
2. To avoid the risk of fire, do not exceed the recommended wattage for this fixture.

warnings:

1. Do not remove the lamp from its packaging by pulling on the power cord, as a bad connection may result.
2. To avoid the risk of fire, electrical shock, or personal injury, turn off lamp and allow it to cool prior to replacing light bulb.
3. Do not touch bulb when fixture is turned on or look directly at lit bulb.
4. Keep flammable materials away from lit bulb.

to assemble:

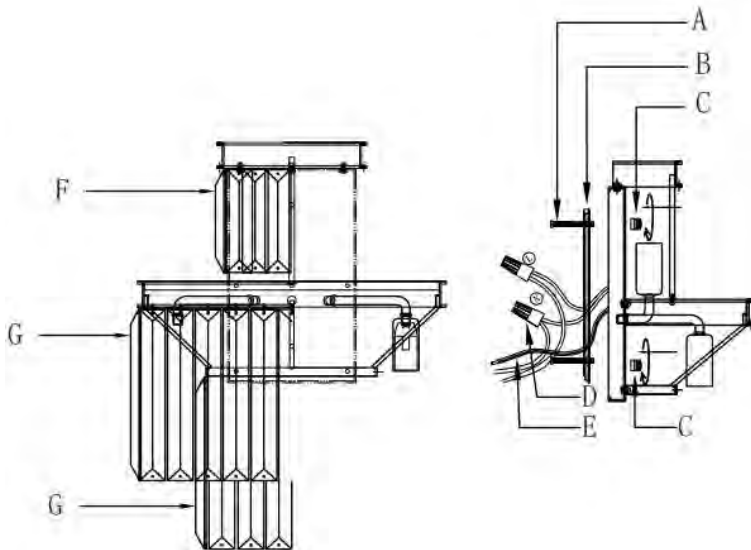
1. Carefully remove all parts from the box.
2. Install the centre pole (D) on the base (G) first, then install the centre pole (C) on the top body, then adjust the cable at bottom of the base (G) and link the centre pole (C) and the centre pole (D) together.
3. Adjust the length of the cable again and lock the cable with screwing the buckle (H). (see the illustration).
4. Peel off the yellow paper on the flannelette (I) and then stick it on the bottom base (G).
5. Install the top part (A) to the screw nipple (B) together.
6. Install the bulbs on the sockets.
7. Install the crystals (E)/(F) on the lamp body according to the illustration.
8. Plug into a proper electrical outlet and test the fixture.
9. Installation is complete.

care instructions:

Clean with a dry, soft cloth only. Use no harsh abrasives or chemical agents.

parts enclosed:

Part	Description	Qty.
A	screws	2
B	mounting bracket	1
C	nuts	2
D	nipples	2
E	cable	1
F	crystal sticks#F	8
G	crystal sticks#G	24



important safety instructions:

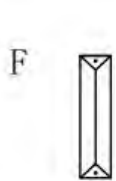
1. We recommend installation by a licensed electrician.
2. To avoid the risk of fire, do not exceed the recommended wattage for this fixture.

warnings:

1. Do not remove the lamp from its packaging by pulling on the power cord, as a bad connection may result.
2. To avoid the risk of fire, electrical shock, or personal injury, turn off lamp and allow it to cool prior to replacing light bulb.
3. Do not touch bulb when fixture is turned on or look directly at lit bulb.
4. Keep flammable materials away from lit bulb.

to assemble:

1. Carefully remove all parts from the box.
2. Remove the mounting bracket (B) from the base (D) by loosening the nuts (C).
3. Affix the mounting bracket (B) on the outlet box with the screws (A).
4. **INSURE THE ELECTRICITY SUPPLY IS TURNED OFF.**
5. Wrap both safety cable (E) with nipples (D), push the base on the bracket (B) and then affix it with the nuts (C).
6. Install the bulbs on the sockets and then put the crystal sticks (F)/(G) on the lamp body.
7. Installation is complete, turn on power at fuse or circuit breaker.



(8 clusters)
8c/bag
1bag



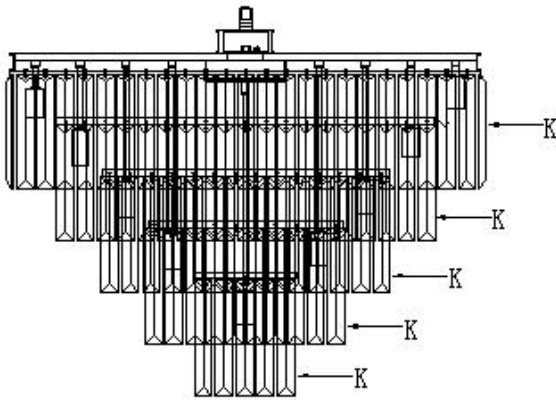
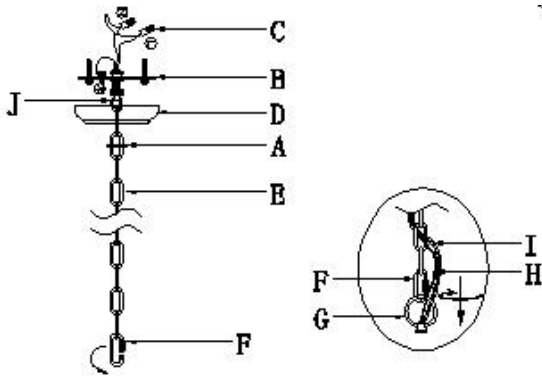
(24 clusters)
24c/bag
1bag

care instructions:

Clean with a dry, soft cloth only. Use no harsh abrasives or chemical agents.

parts enclosed:

Part	Description	Qty.	Part	Description	Qty.
A	lock collar	1	G	loop	1
B	mounting bracket	1	H	cable	1
C	nipples	3	I	naked earth cable	1
D	canopy	1	J	ceiling loop	1
E	chain	1	K	crystal stick	272
F	open ring	1			



(272clusters)
60c/4boxs+32c/1box

important safety instructions:

1. We recommend installation by a licensed electrician.
2. To avoid the risk of fire, do not exceed the recommended wattage for this fixture.

warnings:

1. Do not remove the lamp from its packaging by pulling on the power cord, as a bad connection may result.
2. To avoid the risk of fire, electrical shock, or personal injury, turn off lamp and allow it to cool prior to replacing light bulb.
3. Do not touch bulb when fixture is turned on or look directly at lit bulb.
4. Keep flammable materials away from lit bulb.

to assemble:

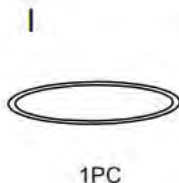
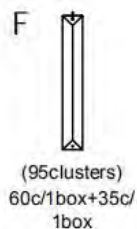
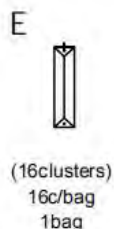
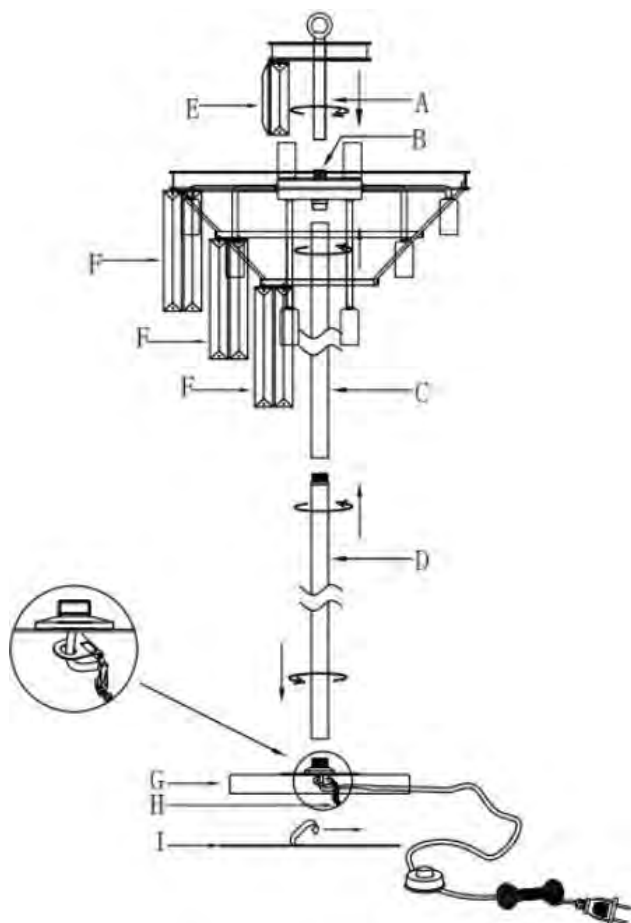
1. Carefully remove all parts from the box.
2. Remove the mounting bracket (B) from the canopy (D) by loosening the lock collar (A).
3. Taking off the open ring (F) and use the dimensions of the fixture as a guide, shorten the chain (E) as needed using a pair of chain pliers.
4. Use the open ring (F) to link the chain (E) and the loop (G), then put the cable (H) and naked earth cable (I) through the chain (E) in every 3-4 rings until through the ceiling loop (J).
5. INSURE THE ELECTRICITY SUPPLY IS TURNED OFF.
6. Affix the mounting bracket (B) on the outlet box.
7. Wrap both safety cable with nipples (C), push the cable into the outlet box.
8. Attach the canopy (D) to the mounting bracket (B) and secure with lock collar (A).
9. Install the bulbs on the sockets.
10. Install the crystal sticks (K) in the right places according to the illustration.
11. Installation is complete, turn on power at fuse or circuit breaker.

care instructions:

Clean with a dry, soft cloth only. Use no harsh abrasives or chemical agents.

parts enclosed:

Part	Description	Qty.
A	top part	1
B	screw nipple	1
C	centre pole #C	1
D	centre pole #D	1
E	crystals #E	16
F	crystals #F	95
G	base	1
H	buckle	1
I	flannelette	1



important safety instructions:

1. We recommend installation by a licensed electrician.
2. To avoid the risk of fire, do not exceed the recommended wattage for this fixture.

warnings:

1. Do not remove the lamp from its packaging by pulling on the power cord, as a bad connection may result.
2. To avoid the risk of fire, electrical shock, or personal injury, turn off lamp and allow it to cool prior to replacing light bulb.
3. Do not touch bulb when fixture is turned on or look directly at lit bulb.
4. Keep flammable materials away from lit bulb.

to assemble:

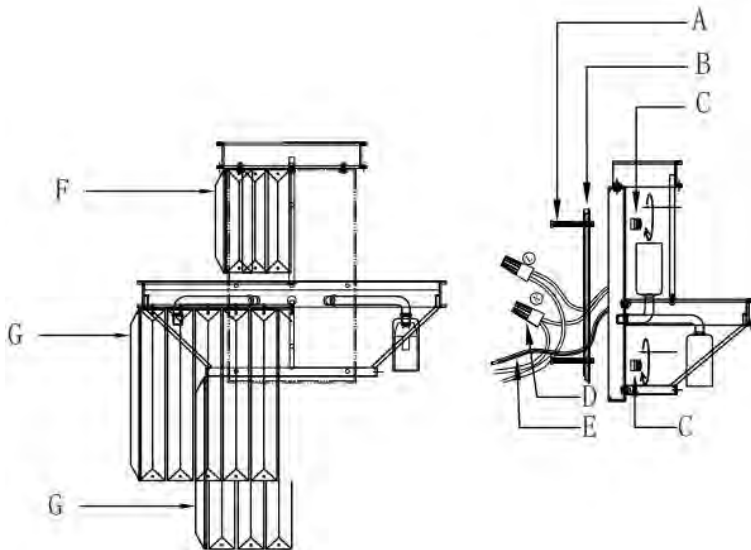
1. Carefully remove all parts from the box.
2. Install the centre pole (D) on the base (G) first, then install the centre pole (C) on the top body, then adjust the cable at bottom of the base (G) and link the centre pole (C) and the centre pole (D) together.
3. Adjust the length of the cable again and lock the cable with screwing the buckle (H). (see the illustration).
4. Peel off the yellow paper on the flannelette (I) and then stick it on the bottom base (G).
5. Install the top part (A) to the screw nipple (B) together.
6. Install the bulbs on the sockets.
7. Install the crystals (E)/(F) on the lamp body according to the illustration.
8. Plug into a proper electrical outlet and test the fixture.
9. Installation is complete.

care instructions:

Clean with a dry, soft cloth only. Use no harsh abrasives or chemical agents.

parts enclosed:

Part	Description	Qty.
A	screws	2
B	mounting bracket	1
C	nuts	2
D	nipples	2
E	cable	1
F	crystal sticks#F	8
G	crystal sticks#G	24



important safety instructions:

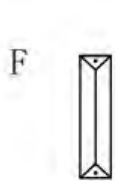
1. We recommend installation by a licensed electrician.
2. To avoid the risk of fire, do not exceed the recommended wattage for this fixture.

warnings:

1. Do not remove the lamp from its packaging by pulling on the power cord, as a bad connection may result.
2. To avoid the risk of fire, electrical shock, or personal injury, turn off lamp and allow it to cool prior to replacing light bulb.
3. Do not touch bulb when fixture is turned on or look directly at lit bulb.
4. Keep flammable materials away from lit bulb.

to assemble:

1. Carefully remove all parts from the box.
2. Remove the mounting bracket (B) from the base (D) by loosening the nuts (C).
3. Affix the mounting bracket (B) on the outlet box with the screws (A).
4. **INSURE THE ELECTRICITY SUPPLY IS TURNED OFF.**
5. Wrap both safety cable (E) with nipples (D), push the base on the bracket (B) and then affix it with the nuts (C).
6. Install the bulbs on the sockets and then put the crystal sticks (F)/(G) on the lamp body.
7. Installation is complete, turn on power at fuse or circuit breaker.



(8 clusters)
8c/bag
1bag



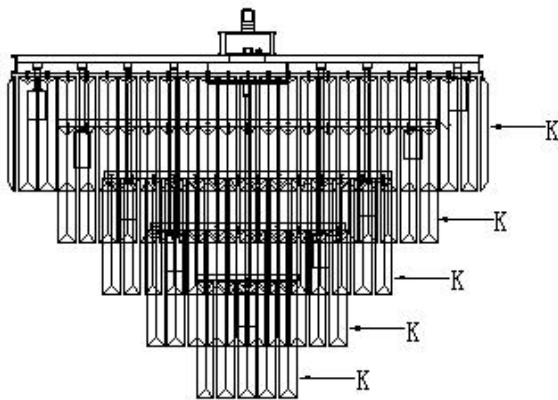
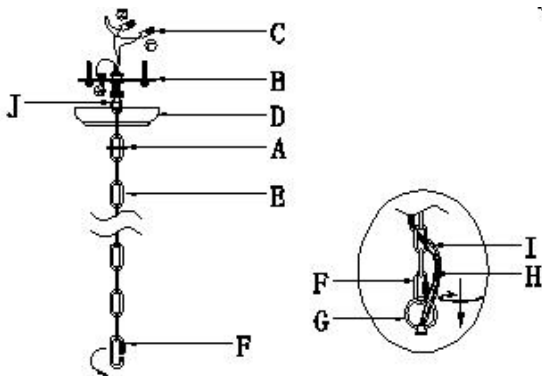
(24 clusters)
24c/bag
1bag

care instructions:

Clean with a dry, soft cloth only. Use no harsh abrasives or chemical agents.

parts enclosed:

Part	Description	Qty.	Part	Description	Qty.
A	lock collar	1	G	loop	1
B	mounting bracket	1	H	cable	1
C	nipples	3	I	naked earth cable	1
D	canopy	1	J	ceiling loop	1
E	chain	1	K	crystal stick	272
F	open ring	1			



(272clusters)
60c/4boxs+32c/1box

important safety instructions:

1. We recommend installation by a licensed electrician.
2. To avoid the risk of fire, do not exceed the recommended wattage for this fixture.

warnings:

1. Do not remove the lamp from its packaging by pulling on the power cord, as a bad connection may result.
2. To avoid the risk of fire, electrical shock, or personal injury, turn off lamp and allow it to cool prior to replacing light bulb.
3. Do not touch bulb when fixture is turned on or look directly at lit bulb.
4. Keep flammable materials away from lit bulb.

to assemble:

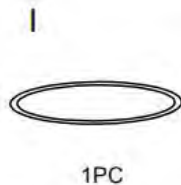
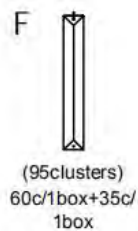
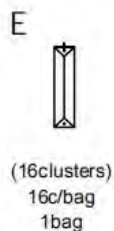
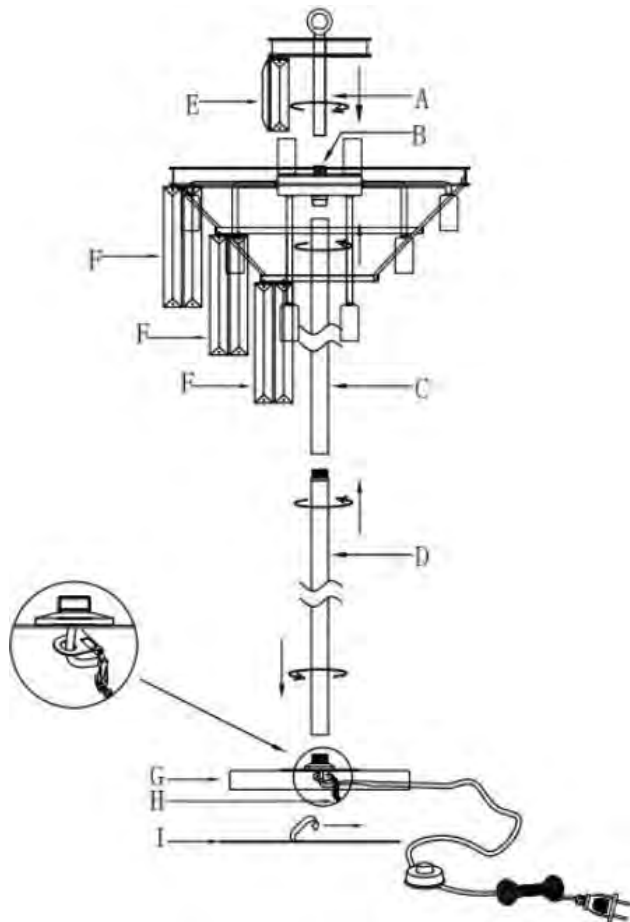
1. Carefully remove all parts from the box.
2. Remove the mounting bracket (B) from the canopy (D) by loosening the lock collar (A).
3. Taking off the open ring (F) and use the dimensions of the fixture as a guide, shorten the chain (E) as needed using a pair of chain pliers.
4. Use the open ring (F) to link the chain (E) and the loop (G), then put the cable (H) and naked earth cable (I) through the chain (E) in every 3-4 rings until through the ceiling loop (J).
5. INSURE THE ELECTRICITY SUPPLY IS TURNED OFF.
6. Affix the mounting bracket (B) on the outlet box.
7. Wrap both safety cable with nipples (C), push the cable into the outlet box.
8. Attach the canopy (D) to the mounting bracket (B) and secure with lock collar (A).
9. Install the bulbs on the sockets.
10. Install the crystal sticks (K) in the right places according to the illustration.
11. Installation is complete, turn on power at fuse or circuit breaker.

care instructions:

Clean with a dry, soft cloth only. Use no harsh abrasives or chemical agents.

parts enclosed:

Part	Description	Qty.
A	top part	1
B	screw nipple	1
C	centre pole #C	1
D	centre pole #D	1
E	crystals #E	16
F	crystals #F	95
G	base	1
H	buckle	1
I	flannelette	1



important safety instructions:

1. We recommend installation by a licensed electrician.
2. To avoid the risk of fire, do not exceed the recommended wattage for this fixture.

warnings:

1. Do not remove the lamp from its packaging by pulling on the power cord, as a bad connection may result.
2. To avoid the risk of fire, electrical shock, or personal injury, turn off lamp and allow it to cool prior to replacing light bulb.
3. Do not touch bulb when fixture is turned on or look directly at lit bulb.
4. Keep flammable materials away from lit bulb.

to assemble:

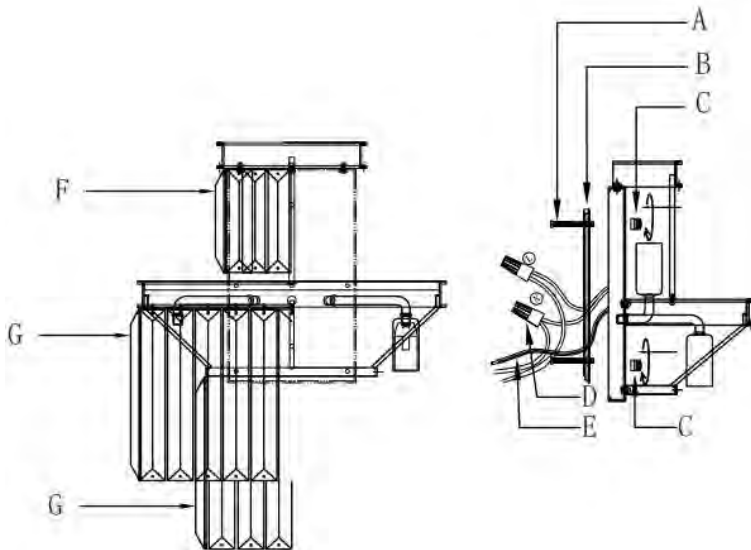
1. Carefully remove all parts from the box.
2. Install the centre pole (D) on the base (G) first, then install the centre pole (C) on the top body, then adjust the cable at bottom of the base (G) and link the centre pole (C) and the centre pole (D) together.
3. Adjust the length of the cable again and lock the cable with screwing the buckle (H). (see the illustration).
4. Peel off the yellow paper on the flannelette (I) and then stick it on the bottom base (G).
5. Install the top part (A) to the screw nipple (B) together.
6. Install the bulbs on the sockets.
7. Install the crystals (E)/(F) on the lamp body according to the illustration.
8. Plug into a proper electrical outlet and test the fixture.
9. Installation is complete.

care instructions:

Clean with a dry, soft cloth only. Use no harsh abrasives or chemical agents.

parts enclosed:

Part	Description	Qty.
A	screws	2
B	mounting bracket	1
C	nuts	2
D	nipples	2
E	cable	1
F	crystal sticks#F	8
G	crystal sticks#G	24



important safety instructions:

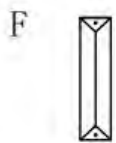
1. We recommend installation by a licensed electrician.
2. To avoid the risk of fire, do not exceed the recommended wattage for this fixture.

warnings:

1. Do not remove the lamp from its packaging by pulling on the power cord, as a bad connection may result.
2. To avoid the risk of fire, electrical shock, or personal injury, turn off lamp and allow it to cool prior to replacing light bulb.
3. Do not touch bulb when fixture is turned on or look directly at lit bulb.
4. Keep flammable materials away from lit bulb.

to assemble:

1. Carefully remove all parts from the box.
2. Remove the mounting bracket (B) from the base (D) by loosening the nuts (C).
3. Affix the mounting bracket (B) on the outlet box with the screws (A).
4. **INSURE THE ELECTRICITY SUPPLY IS TURNED OFF.**
5. Wrap both safety cable (E) with nipples (D), push the base on the bracket (B) and then affix it with the nuts (C).
6. Install the bulbs on the sockets and then put the crystal sticks (F)/(G) on the lamp body.
7. Installation is complete, turn on power at fuse or circuit breaker.



(8 clusters)
8c/bag
1bag



(24 clusters)
24c/bag
1bag

care instructions:

Clean with a dry, soft cloth only. Use no harsh abrasives or chemical agents.

parts enclosed:

Part	Description	Qty.	Part	Description	Qty.
A	lock collar	1	J	ceiling loop	1
B	mounting bracket	1	K	centre part	1
C	nipples	3	L	screw nipple	1
D	canopy	1	M	ball screws	60
E	chain	1	N	rubber rings	180
F	open ring	1	O	glass ornaments #O	30
G	loop	1	P	glass ornaments #P	30
H	cable	1	R	ring #R	30
I	naked earth cable	1	S	glass sticks	30

important safety instructions:

1. We recommend installation by a licensed electrician.
2. To avoid the risk of fire, do not exceed the recommended wattage for this fixture.

warnings:

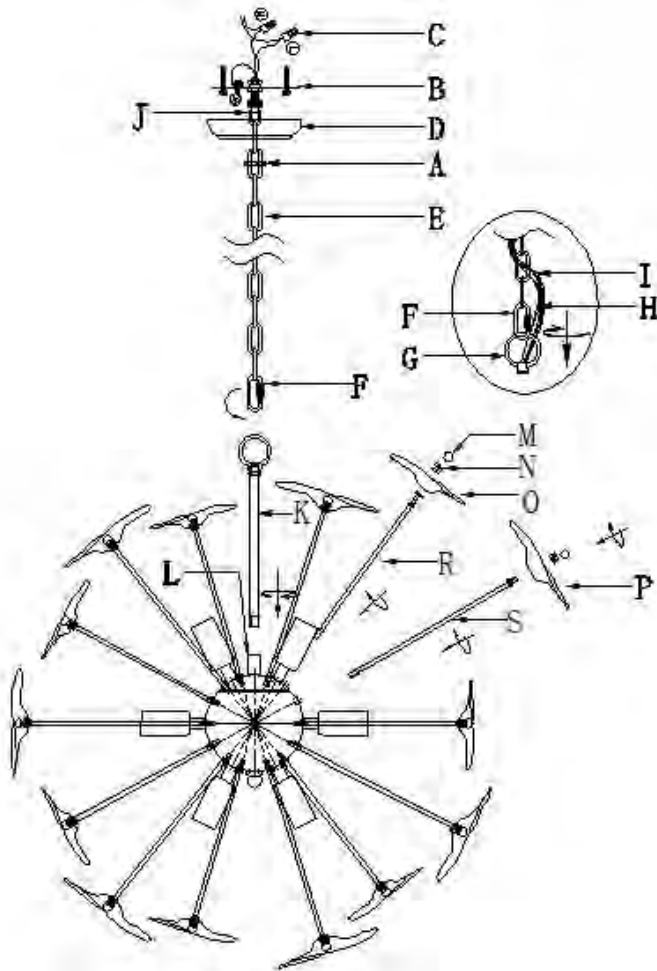
1. Do not remove the lamp from its packaging by pulling on the power cord, as a bad connection may result.
2. To avoid the risk of fire, electrical shock, or personal injury, turn off lamp and allow it to cool prior to replacing light bulb.
3. Do not touch bulb when fixture is turned on or look directly at lit bulb.
4. Keep flammable materials away from lit bulb.

to assemble:

1. Carefully remove all parts from the box.
2. Install the centre part (K) on the screw nipple (L) firmly.
3. Remove the mounting bracket (B) from the canopy (D) by loosening the lock collar (A).
4. Taking off the open ring (F) and use the dimensions of the fixture as a guide, shorten the chain (E) as needed using a pair of chain pliers.
5. Use the open ring (F) to link the chain (E) and the loop (G), then put the cable (H) and naked earth cable (I) through the chain (E) in every 3-4 rings until through the ceiling loop (J).
6. INSURE THE ELECTRICITY SUPPLY IS TURNED OFF.
7. Affix the mounting bracket (B) on the outlet box.
8. Wrap both safety cable with nipples (C), push the cable into the outlet box.
9. Attach the canopy (D) to the mounting bracket (B) and secure with lock collar (A).
10. Install the metal sticks (R) / (S) in each latitude circle holes firmly on the metal ball in alternate way.
11. Take off the ball screws (M) and rubber rings (N) and then install the glass ornaments (O) / (P) on the metal sticks which on each latitude circle in alternate way according to the illustration. And then affix them with the rubber rings (N) and the ball screws (M).
12. Installation is complete, turn on power at fuse or circuit breaker.

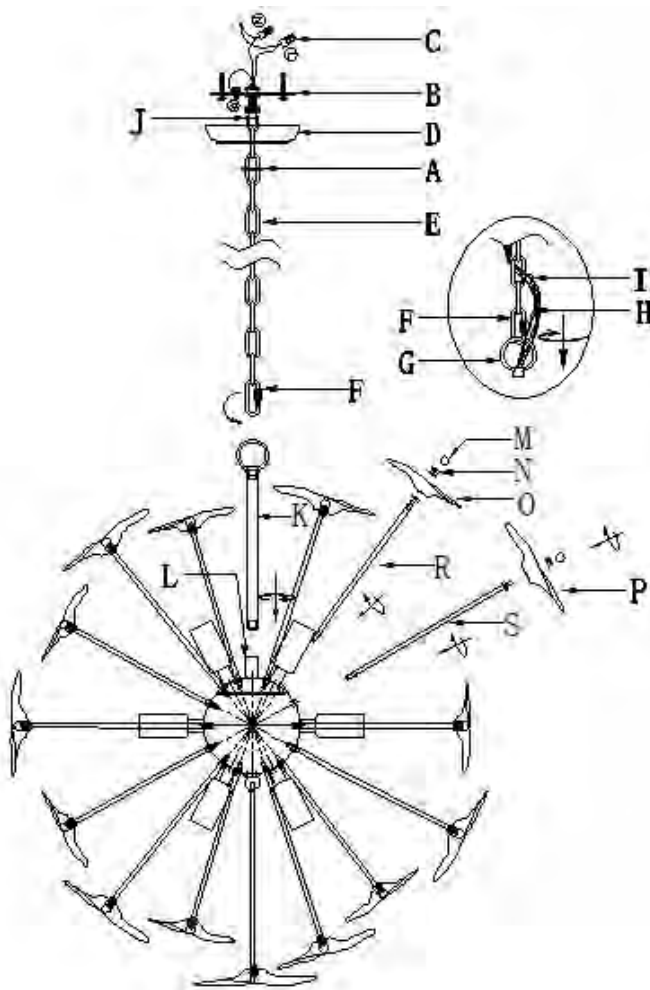
care instructions:

Clean with a dry, soft cloth only. Use no harsh abrasives or chemical agents.



parts enclosed:

Part	Description	Qty.	Part	Description	Qty.
A	lock collar	1	J	ceiling loop	1
B	mounting bracket	1	K	centre part	1
C	nipples	3	L	screw nipple	1
D	canopy	1	M	ball screws	77
E	chain	1	N	rubber rings	231
F	open ring	1	O	glass ornaments #O	38
G	loop	1	P	glass ornaments #P	39
H	cable	1	R	ring #R	38
I	naked earth cable	1	S	glass sticks	39



important safety instructions:

1. We recommend installation by a licensed electrician.
2. To avoid the risk of fire, do not exceed the recommended wattage for this fixture.

warnings:

1. Do not remove the lamp from its packaging by pulling on the power cord, as a bad connection may result.
2. To avoid the risk of fire, electrical shock, or personal injury, turn off lamp and allow it to cool prior to replacing light bulb.
3. Do not touch bulb when fixture is turned on or look directly at lit bulb.
4. Keep flammable materials away from lit bulb.

to assemble:

1. Carefully remove all parts from the box.
2. Install the centre part (K) on the screw nipple (L) firmly.
3. Remove the mounting bracket (B) from the canopy (D) by loosening the lock collar (A).
4. Taking off the open ring (F) and use the dimensions of the fixture as a guide, shorten the chain (E) as needed using a pair of chain pliers.
5. Use the open ring (F) to link the chain (E) and the loop (G), then put the cable (H) and naked earth cable (I) through the chain (E) in every 3-4 rings until through the ceiling loop (J).
6. INSURE THE ELECTRICITY SUPPLY IS TURNED OFF.
7. Affix the mounting bracket (B) on the outlet box.
8. Wrap both safety cable with nipples (C), push the cable into the outlet box.
9. Attach the canopy (D) to the mounting bracket (B) and secure with lock collar (A).
10. Install the metal sticks (R) / (S) in each latitude circle holes firmly on the metal ball in alternate way.
11. Take off the ball screws (M) and rubber rings (N) and then install the glass ornaments (O) / (P) on the metal sticks which on each latitude circle in alternate way according to the illustration. And then affix them with the rubber rings (N) and the ball screws (M).
12. Installation is complete, turn on power at fuse or circuit breaker.

care instructions:

Clean with a dry, soft cloth only. Use no harsh abrasives or chemical agents.

LIGHTING PARTS SKUS

CATEGORY	SKU	DESCRIPTION	STATUS	COLLECTION	ROUTE
LIGHTING	912036H108CH	LILY CHAND 12 FT CHAIN 12 FT CHAIN	A	PT-LILY	PART
LIGHTING	912036H108SS	LILY CHAND 12.25" BRASS STICK 12.25" BRASS STICK	A	PT-LILY	PART
LIGHTING	912036H108SL	LILY CHAND 13.38" BRASS STICK 13.38" BRASS STICK	A	PT-LILY	PART
LIGHTING	912036H109FS	LILY CHAND 4.38" GLASS FLOWER 4.38" LILY PAD	A	PT-LILY	PART
LIGHTING	912036H108FM	LILY CHAND 5.13" GLASS FLOWER 5.13" LILY PAD	A	PT-LILY	PART
LIGHTING	912036H108FL	LILY CHAND 5.88" GLASS FLOWER 5.88" LILY PAD	A	PT-LILY	PART
LIGHTING	912036H108CH6	LILY CHAND 6 FT CHAIN 6 FT CHAIN	A	PT-LILY	PART
LIGHTING	912036H109SS	LILY CHAND 8.5" BRASS STICK 8.5" BRASS STICK	A	PT-LILY	PART
LIGHTING	912036H109SL	LILY CHAND 9.5" BRASS STICK 9.5" BRASS STICK	A	PT-LILY	PART
LIGHTING	912036H108B	LILY CHAND BRASS SCREW BALL BRASS SCREW BALL	A	PT-LILY	PART
LIGHTING	912036H108CN	LILY CHAND ROUND CANOPY CANOPY W/ HARDWARE	A	PT-LILY	PART
LIGHTING	912036H108W	LILY CHAND SILICON WASHER SILICON WASHER REPLACEMENT	A	PT-LILY	PART
LIGHTING	912036H108F	LILY CHANDELIER FINIAL 0.7" BRASS PLATED FINIAL	A	PT-LILY	PART

parts enclosed:

Part	Description	Qty.	Part	Description	Qty.
A	lock collar	1	J	ceiling loop	1
B	mounting bracket	1	K	centre part	1
C	nipples	3	L	screw nipple	1
D	canopy	1	M	ball screws	60
E	chain	1	N	rubber rings	180
F	open ring	1	O	glass ornaments #O	31
G	loop	1	P	glass ornaments #P	31
H	cable	1	R	ring #R	30
I	naked earth cable	1	S	glass sticks	30

important safety instructions:

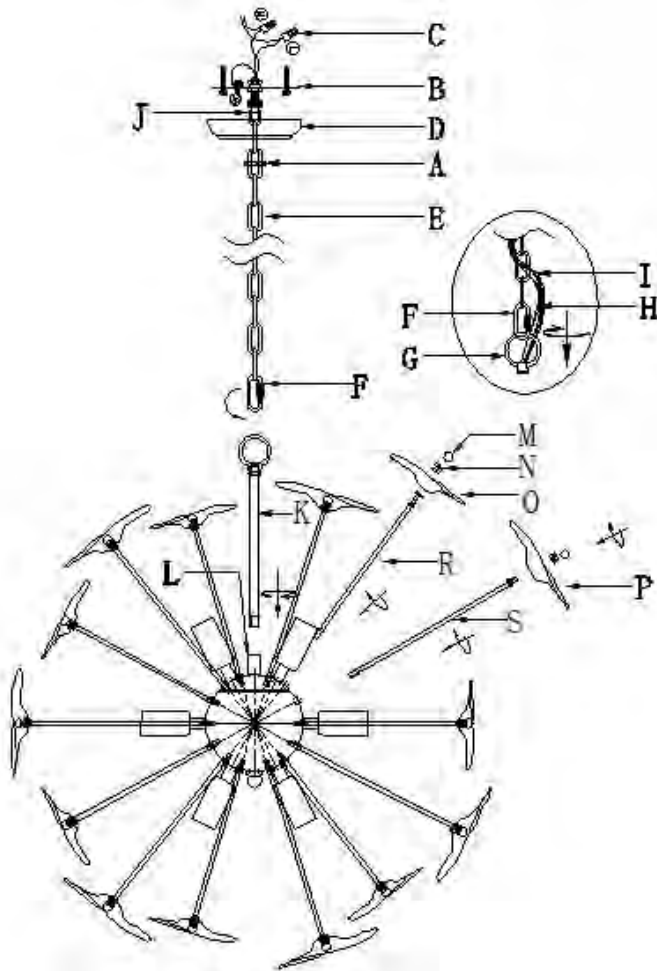
1. We recommend installation by a licensed electrician.
2. To avoid the risk of fire, do not exceed the recommended wattage for this fixture.

warnings:

1. Do not remove the lamp from its packaging by pulling on the power cord, as a bad connection may result.
2. To avoid the risk of fire, electrical shock, or personal injury, turn off lamp and allow it to cool prior to replacing light bulb.
3. Do not touch bulb when fixture is turned on or look directly at lit bulb.
4. Keep flammable materials away from lit bulb.

to assemble:

1. Carefully remove all parts from the box.
2. Install the centre part (K) on the screw nipple (L) firmly.
3. Remove the mounting bracket (B) from the canopy (D) by loosening the lock collar (A).
4. Taking off the open ring (F) and use the dimensions of the fixture as a guide, shorten the chain (E) as needed using a pair of chain pliers.
5. Use the open ring (F) to link the chain (E) and the loop (G), then put the cable (H) and naked earth cable (I) through the chain (E) in every 3-4 rings until through the ceiling loop (J).
6. INSURE THE ELECTRICITY SUPPLY IS TURNED OFF.
7. Affix the mounting bracket (B) on the outlet box.
8. Wrap both safety cable with nipples (C), push the cable into the outlet box.
9. Attach the canopy (D) to the mounting bracket (B) and secure with lock collar (A).
10. Install the metal sticks (R) / (S) in each latitude circle holes firmly on the metal ball in alternate way.
11. Take off the ball screws (M) and rubber rings (N) and then install the glass ornaments (O) / (P) on the metal sticks which on each latitude circle in alternate way according to the illustration. And then affix them with the rubber rings (N) and the ball screws (M).
12. Installation is complete, turn on power at fuse or circuit breaker.

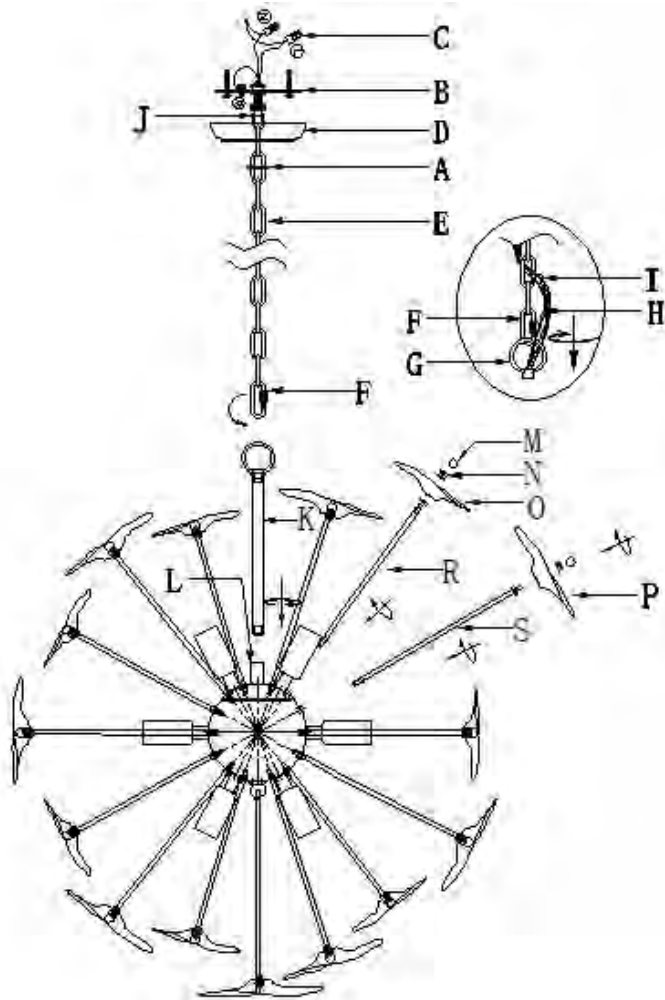


care instructions:

Clean with a dry, soft cloth only. Use no harsh abrasives or chemical agents.

parts enclosed:

Part	Description	Qty.	Part	Description	Qty.
A	lock collar	1	J	ceiling loop	1
B	mounting bracket	1	K	centre part	1
C	nipples	3	L	screw nipple	1
D	canopy	1	M	ball screws	77
E	chain	1	N	rubber rings	231
F	open ring	1	O	glass ornaments #O	39
G	loop	1	P	glass ornaments #P	40
H	cable	1	R	ring #R	38
I	naked earth cable	1	S	glass sticks	39



important safety instructions:

1. We recommend installation by a licensed electrician.
2. To avoid the risk of fire, do not exceed the recommended wattage for this fixture.

warnings:

1. Do not remove the lamp from its packaging by pulling on the power cord, as a bad connection may result.
2. To avoid the risk of fire, electrical shock, or personal injury, turn off lamp and allow it to cool prior to replacing light bulb.
3. Do not touch bulb when fixture is turned on or look directly at lit bulb.
4. Keep flammable materials away from lit bulb.

to assemble:

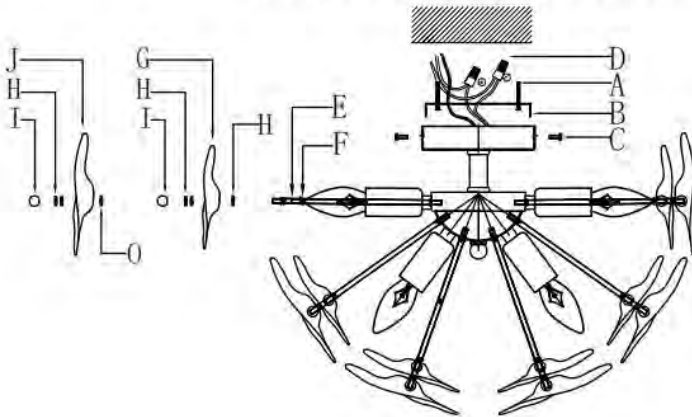
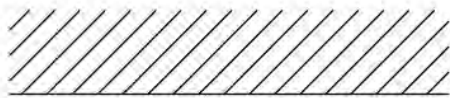
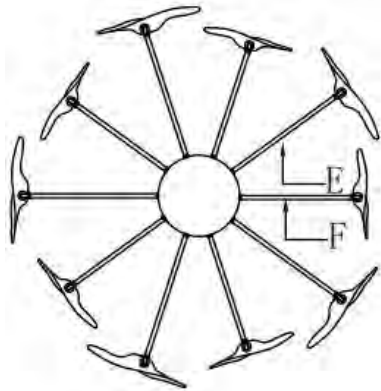
1. Carefully remove all parts from the box.
2. Install the centre part (K) on the screw nipple (L) firmly.
3. Remove the mounting bracket (B) from the canopy (D) by loosening the lock collar (A).
4. Taking off the open ring (F) and use the dimensions of the fixture as a guide, shorten the chain (E) as needed using a pair of chain pliers.
5. Use the open ring (F) to link the chain (E) and the loop (G), then put the cable (H) and naked earth cable (I) through the chain (E) in every 3-4 rings until through the ceiling loop (J).
6. INSURE THE ELECTRICITY SUPPLY IS TURNED OFF.
7. Affix the mounting bracket (B) on the outlet box.
8. Wrap both safety cable with nipples (C), push the cable into the outlet box.
9. Attach the canopy (D) to the mounting bracket (B) and secure with lock collar (A).
10. Install the metal sticks (R) / (S) in each latitude circle holes firmly on the metal ball in alternate way.
11. Take off the ball screws (M) and rubber rings (N) and then install the glass ornaments (O) / (P) on the metal sticks which on each latitude circle in alternate way according to the illustration. And then affix them with the rubber rings (N) and the ball screws (M).
12. Installation is complete, turn on power at fuse or circuit breaker.

care instructions:

Clean with a dry, soft cloth only. Use no harsh abrasives or chemical agents.

parts enclosed:

Part	Description	Qty.	Part	Description	Qty.
A	screws	2	F	metal stick # F	11
B	bracket	1	G	glass ornaments #G	11
C	side screws	2	J	glass ornaments #J	11
D	connectors	2	H	rubber rings	22
E	metal stick # E	11	I	ball screws	22



important safety instructions:

1. We recommend installation by a licensed electrician.
2. To avoid the risk of fire, do not exceed the recommended wattage for this fixture.

warnings:

1. Do not remove the lamp from its packaging by pulling on the power cord, as a bad connection may result.
2. To avoid the risk of fire, electrical shock, or personal injury, turn off lamp and allow it to cool prior to replacing light bulb.
3. Do not touch bulb when fixture is turned on or look directly at lit bulb.
4. Keep flammable materials away from lit bulb.

to assemble:

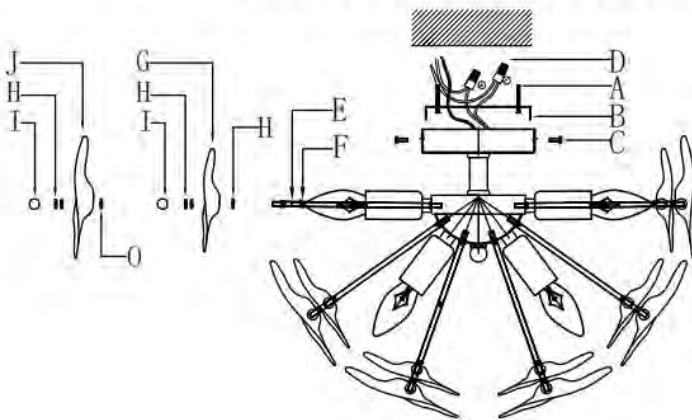
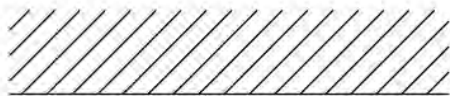
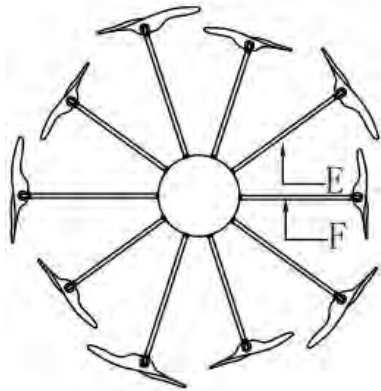
1. Carefully remove all parts from the box.
2. Install the bulbs on the sockets.
3. Install the metal sticks (E) (F) in each latitude circle holes firmly on the metal ball in alternate way.
4. Loosen the side screws (C) and take the mounting bracket (B) from the base. Then fix the bracket (B) with screws (A) to the wall.
5. INSURE THE ELECTRICITY SUPPLY IS TURNED OFF.
6. Connect the 2 power wires (black and white color) with connectors (D) and earth wire according to their colors.
7. Attach the base to the bracket (B) and secure with side screws (C) again.
8. Take off the ball screws (I) and rubber rings (H) and then install the glass ornaments (G)/ (J) (big and small) on the metal sticks (E) (F) which on each latitude circle in alternate way according to the illustration. And then affix them with the rubber rings (H) and the ball screws (I). NOTE: big glass on the long metal stick while small glass on the short metal stick, and one clear washer at the bottom and two washers on the top.
9. Installation is complete, turn on power at fuse or circuit breaker.

care instructions:

Clean with a dry, soft cloth only. Use no harsh abrasives or chemical agents.

parts enclosed:

Part	Description	Qty.	Part	Description	Qty.
A	screws	2	F	metal stick # F	11
B	bracket	1	G	glass ornaments #G	11
C	side screws	2	J	glass ornaments #J	11
D	connectors	2	H	rubber rings	22
E	metal stick # E	11	I	ball screws	22



important safety instructions:

1. We recommend installation by a licensed electrician.
2. To avoid the risk of fire, do not exceed the recommended wattage for this fixture.

warnings:

1. Do not remove the lamp from its packaging by pulling on the power cord, as a bad connection may result.
2. To avoid the risk of fire, electrical shock, or personal injury, turn off lamp and allow it to cool prior to replacing light bulb.
3. Do not touch bulb when fixture is turned on or look directly at lit bulb.
4. Keep flammable materials away from lit bulb.

to assemble:

1. Carefully remove all parts from the box.
2. Install the bulbs on the sockets.
3. Install the metal sticks (E) (F) in each latitude circle holes firmly on the metal ball in alternate way.
4. Loosen the side screws (C) and take the mounting bracket (B) from the base. Then fix the bracket (B) with screws (A) to the wall.
5. INSURE THE ELECTRICITY SUPPLY IS TURNED OFF.
6. Connect the 2 power wires (black and white color) with connectors (D) and earth wire according to their colors.
7. Attach the base to the bracket (B) and secure with side screws (C) again.
8. Take off the ball screws (I) and rubber rings (H) and then install the glass ornaments (G)/ (J) (big and small) on the metal sticks (E) (F) which on each latitude circle in alternate way according to the illustration. And then affix them with the rubber rings (H) and the ball screws (I). NOTE: big glass on the long metal stick while small glass on the short metal stick, and one clear washer at the bottom and two washers on the top.
9. Installation is complete, turn on power at fuse or circuit breaker.

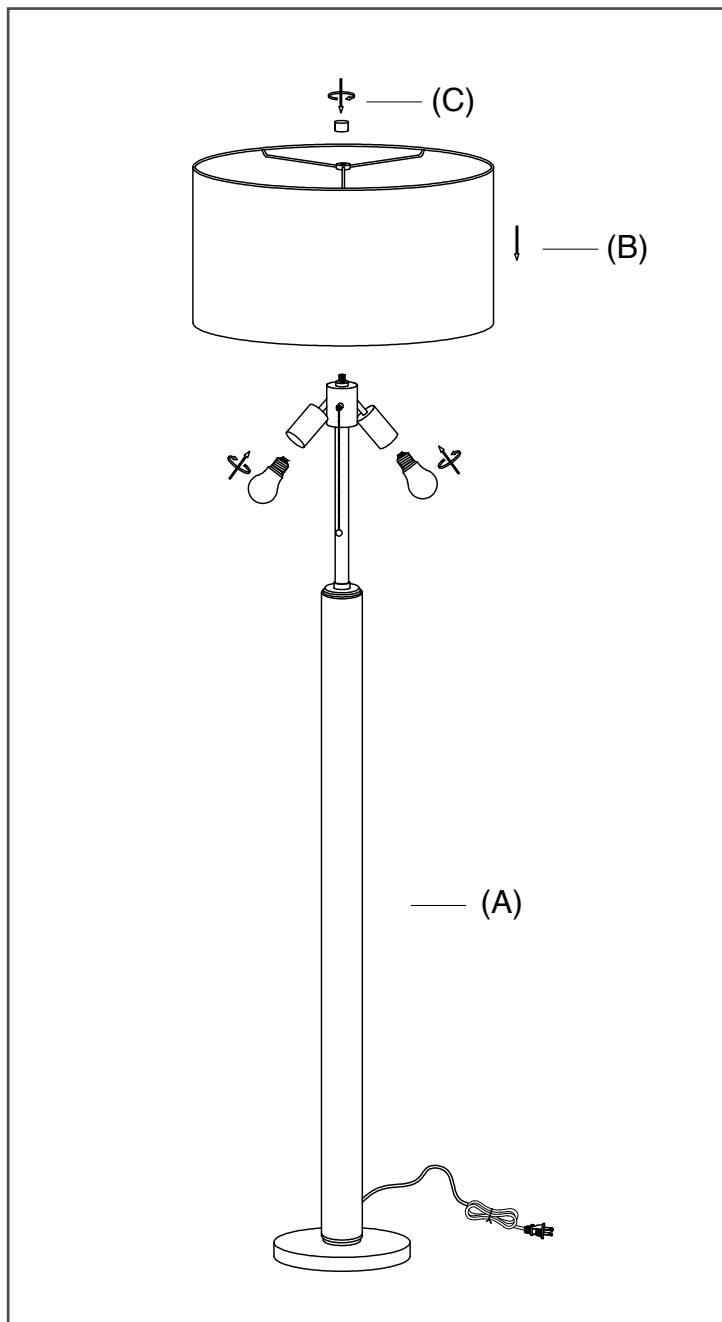
care instructions:

Clean with a dry, soft cloth only. Use no harsh abrasives or chemical agents.

LINDEN BRASS FLOOR LAMP

parts enclosed:

- (A) Lamp body (1)
- (B) Shade (1)
- (C) Shade Finial (1)

**important safety instructions:**

1. We recommend installation by a licensed electrician.
2. To avoid the risk of fire, do not exceed the recommended wattage for this fixture.

ETL NO: ETL5018481, ETL RATING: DRY, MAX BULB WATTAGE: 120W
CONVERSION TO MAX LED WATTAGE: 24W
BULB: (2) A-19 [BULBS NOT INCLUDED]

warnings:

1. Do not remove the lamp from its packaging by pulling on the power cord, as a bad connection may result.
2. To avoid the risk of fire, electrical shock, or personal injury, turn off lamp and allow it to cool prior to replacing light bulb.
3. Do not touch bulb when fixture is turned on or look directly at lit bulb.
4. Keep flammable materials away from lit bulb.

to assemble:

1. Remove lamp parts from carton.
2. Place the lamp base (A) on a flat surface.
3. Remove the shade finial (C) from the lamp base (A).
5. Screw (2) bulbs into the sockets completely.
6. Place the shade (B) onto the lamp body (A).
7. Screw the shade finial (C) and adjust the shade as required to sit level.
8. Plug in the lamp.

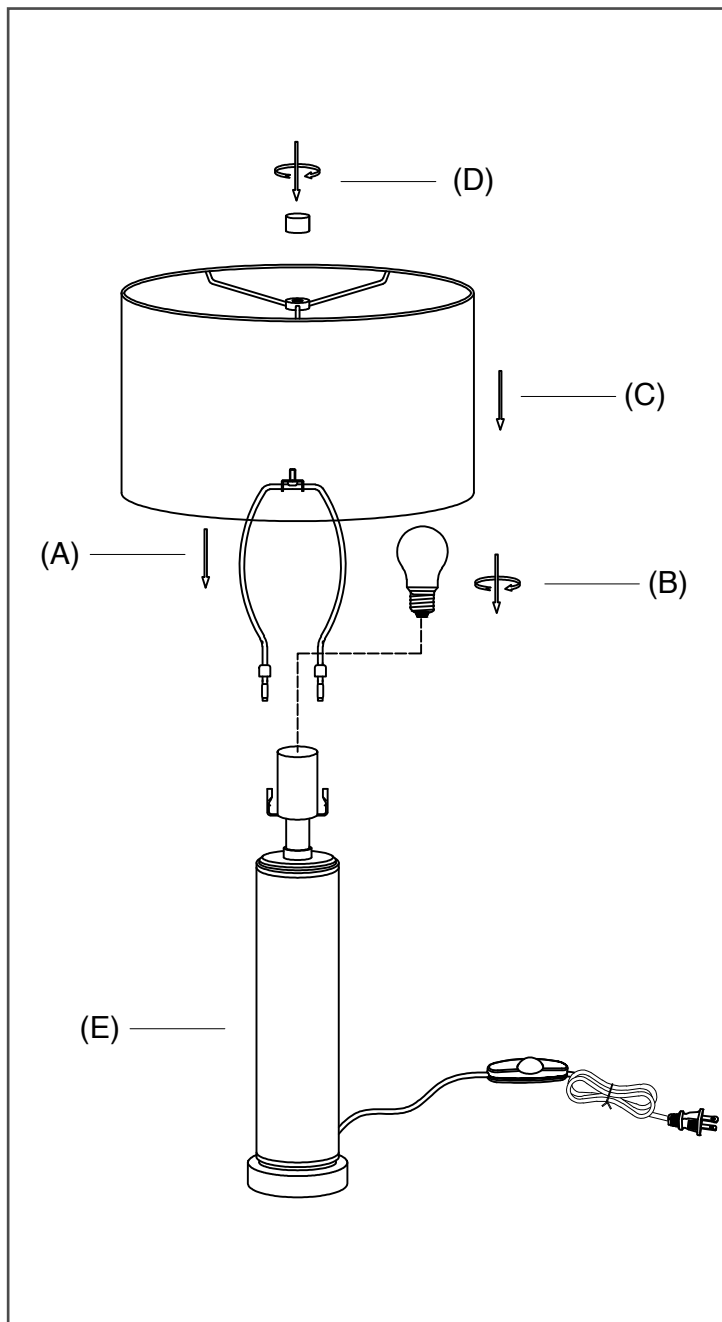
care instructions:

Wipe with a clean, dry cloth. Do not use polishes or cleaners on your lamp.

LINDEN BRASS TABLE LAMP

parts enclosed:

- (A) Harp (1)
 (C) Shade (1)
 (D) Shade Finial (1)

**important safety instructions:**

1. We recommend installation by a licensed electrician.
2. To avoid the risk of fire, do not exceed the recommended wattage for this fixture.

ETL NO: ETL5018481, ETL RATING: DRY, MAX BULB WATTAGE: 120W
 CONVERSION TO MAX LED WATTAGE: 24W
 BULB: (1) A-19 [BULB NOT INCLUDED]

warnings:

1. Do not remove the lamp from its packaging by pulling on the power cord, as a bad connection may result.
2. To avoid the risk of fire, electrical shock, or personal injury, turn off lamp and allow it to cool prior to replacing light bulb.
3. Do not touch bulb when fixture is turned on or look directly at lit bulb.
4. Keep flammable materials away from lit bulb.

to assemble:

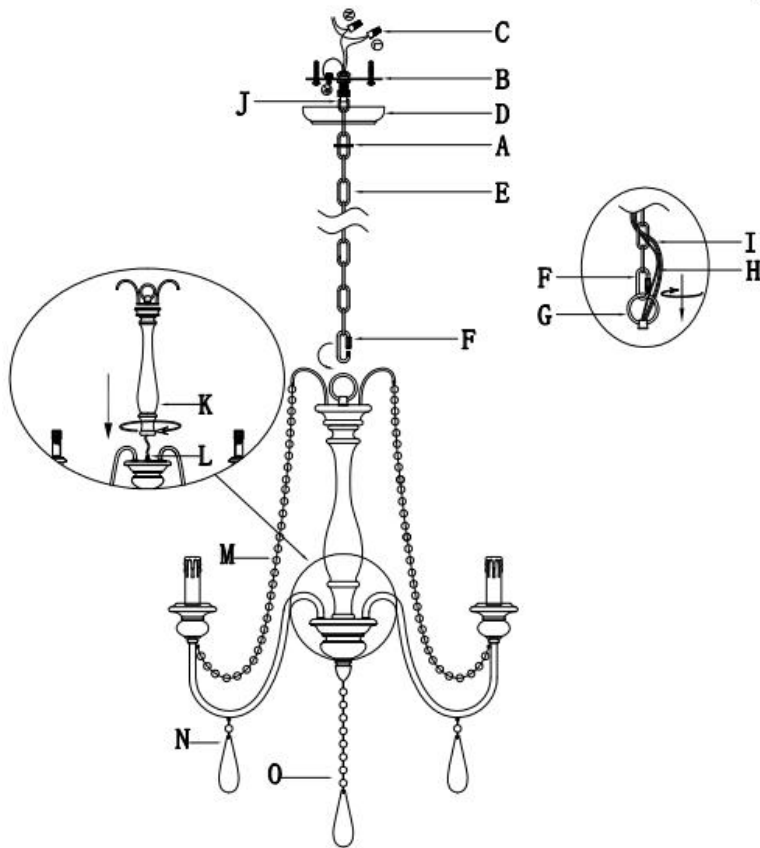
1. Remove lamp parts from carton.
2. Place the lamp base (E) on a flat surface.
3. Place the harp (A) on the lamp base (E).
4. Remove the shade finial (D) from the harp (A).
5. Screw the bulb into the socket completely.
6. Place the shade (C) onto the harp (A).
7. Screw the shade finial (D) and adjust the shade as required sit level.
8. Plug in the lamp.

care instructions:

Wipe with a clean, dry cloth. Do not use polishes or cleaners on your lamp.

parts enclosed:

Part	Description	Qty.	Part	Description	Qty.
A	lock collar	1	I	naked earth cable	1
B	mounting bracket	1	J	ceiling loop	1
C	nipples	3	K	top part	1
D	canopy	1	L	screw nipple	1
E	chain	1	M	ornaments #M	6
F	open ring	1	N	ornaments #N	6
G	loop	1	O	ornaments #O	1
H	cable	1			



important safety instructions:

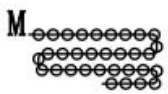
1. We recommend installation by a licensed electrician.
2. To avoid the risk of fire, do not exceed the recommended wattage for this fixture.

warnings:

1. Do not remove the lamp from its packaging by pulling on the power cord, as a bad connection may result.
2. To avoid the risk of fire, electrical shock, or personal injury, turn off lamp and allow it to cool prior to replacing light bulb.
3. Do not touch bulb when fixture is turned on or look directly at lit bulb.
4. Keep flammable materials away from lit bulb.

to assemble:

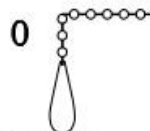
1. Carefully remove all parts from the box.
2. Remove the mounting bracket (B) from the canopy (D) by loosening the lock collar (A).
3. Install the top part (K) on the screw nipple (L).
4. Taking off the open ring (F) and use the dimensions of the fixture as a guide, shorten the chain (E) as needed using a pair of chain pliers.
5. Use the open ring (F) to link the chain (E) and the loop (G), then put the cable (H) and naked earth cable (I) through the chain (E) in every 3-4 rings until through the ceiling loop (J).
6. INSURE THE ELECTRICITY SUPPLY IS TURNED OFF.
7. Affix the mounting bracket (B) on the outlet box.
8. Wrap both safety cable with nipples (C), push the cable into the outlet box.
9. Attach the canopy (D) to the mounting bracket (B) and secure with lock collar (A).
10. Install the ornaments (M) / (N) / (O) in the right places according to the illustration.
11. Install the bulbs on the sockets.
12. Installation is complete, turn on power at fuse or circuit breaker.



(6clusters)
6c/bag
1bag



(6clusters)
6c/bag
1bag



(1clusters)
1c/bag
1bag

care instructions:

Clean with a dry, soft cloth only. Use no harsh abrasives or chemical agents.

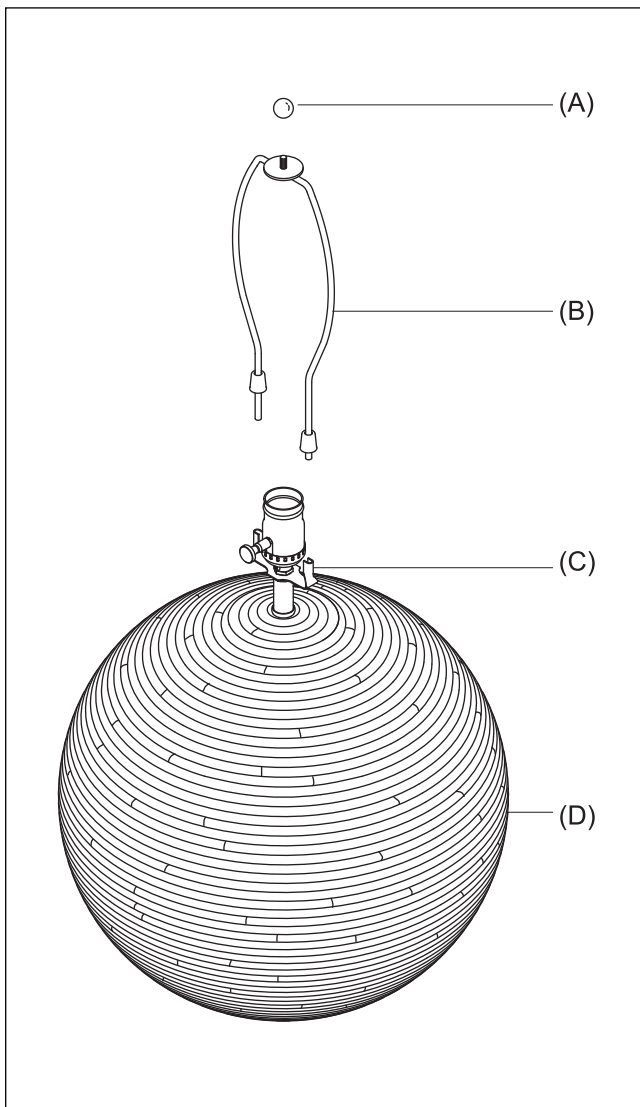
PARTS INVENTORY

Super Category	Product ID	Description	Stat	Collection	Route
LIGHTING	912036H274CH	LOUISE CHAND 12 FT CHAIN .16" X 12 FT CHAIN	A	PT-LOUISE	PART
LIGHTING	912036H274CH6	LOUISE CHAND 6 FT CHAIN .16" X 6 FT CHAIN	A	PT-LOUISE	PART
LIGHTING	912036H274CN	LOUISE CHAND CANOPY CANOPY W/ HARDWARE	A	PT-LOUISE	PART
LIGHTING	912036H274CRC	LOUISE CHAND CRYSTAL STRAND WOODEN BEAD STRAND	A	PT-LOUISE	PART
LIGHTING	912036H274CRL	LOUISE CHAND LG CRYSTAL WOOD DROP W/ STRAND	A	PT-LOUISE	PART
LIGHTING	912036H274CL	LOUISE CHAND S/10 CLIPS SET OF 10 CLIPS	A	PT-LOUISE	PART
LIGHTING	912036H274CRS	LOUISE CHAND SM CRYSTAL WOOD DROP BEAD	A	PT-LOUISE	PART

LOWMAN TABLE LAMP BASE

parts enclosed with shade:

- A. Shade Finial (1)
- B. Harp (1)

**important safety instructions:**

1. To avoid the risk of fire, do not exceed the recommended wattage for this fixture.

ULNO:E110433,UL RATING: DRY, MAX BULB WATTAGE:
60 W CONVERSION TO MAX LED WATTAGE: 9 W
BULB: 1 X A-19 (NOT INCLUDED)
Minimal lamp to shade spacing 2 1/2"

warnings:

1. Do not remove the lamp from its packaging by pulling on the power cord, as a bad connection may result.
2. To avoid the risk of fire, electrical shock, or personal injury, turn off lamp and allow it to cool prior to replacing light bulb.
3. Do not touch bulb when fixture is turned on or look directly at lit bulb.
4. Keep flammable materials away from lit bulb.







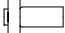
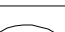
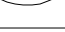
to assemble:

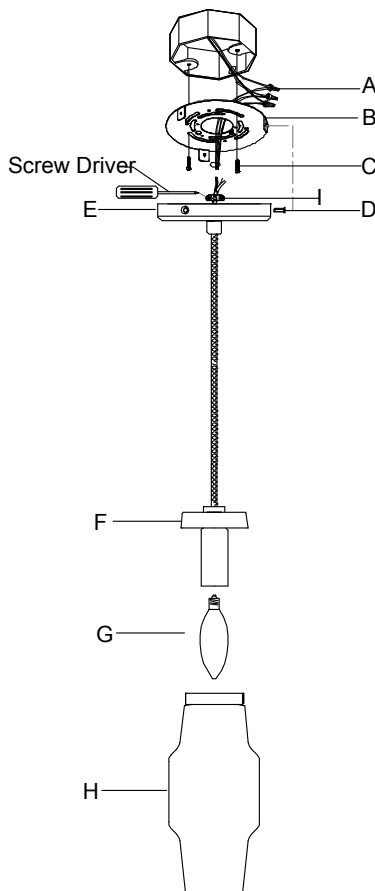
1. Remove lamp parts from carton.
2. Remove protective guard from Saddle (C).
3. Place the lamp base (D) on a flat surface.
4. Place the harp (B) on the saddle (C).
5. Remove the finial (A) from the harp (B).
6. Place the shade on to the harp (B).
7. Gently tighten the finial (A) and affix the shade in place.

care instructions:

Do not use polishes or cleaners on your lamp. Just wipe with soft, lint free cloth.

parts enclosed:

ITEM	DIAGRAM	DESCRIPTION	QTY
(A)		Wire Connectors	3
(B)		Mounting Plate & green ground screw	1
(C)		Mounting Screw	2
(D)		Canopy Screw	3
(E)		Canopy	1
(F)		Socket	1
(G)		Bulb (not included)	1
(H)		Glass Shade	1
(I)		Cable Tie	1



care instructions:

Wipe all surface with a soft, dry cloth. Do not use any harsh cleaners (including ammonia-based products) or abrasives on the fixture as they will damage the surface.

important safety instructions:

CONSULT A QUALIFIED ELECTRICIAN TO ENSURE CORRECT BRANCH CIRCUIT CONDUCTOR.

1. We recommend installation by a licensed electrician.
2. To avoid the risk of fire, do not exceed the recommended wattage of one 9-watt Type B LED lightbulb (60-watt incandescent bulb equivalent) for this fixture.


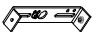
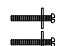


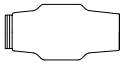



warnings:

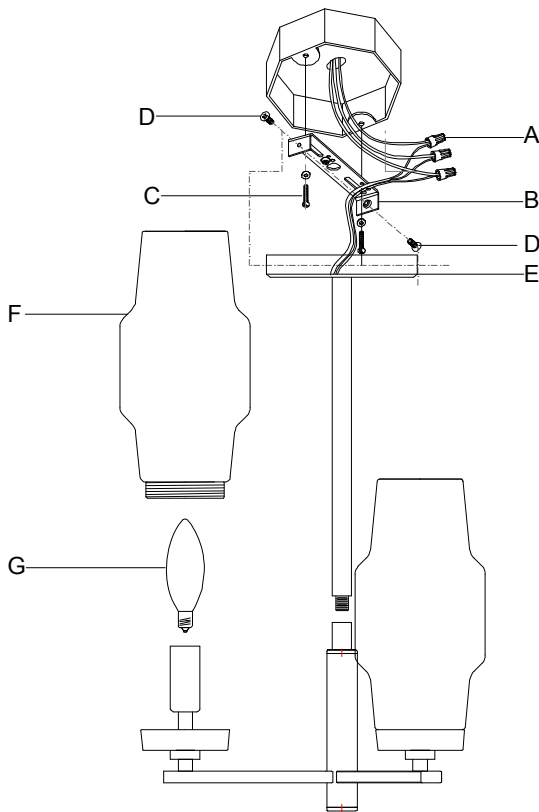
1. Do not remove the fixture from packaging by pulling on the power cord as a bad connection may result.
2. To avoid the risk of fire, electrical shock, or personal injury, always turn off fixture and allow it to cool prior to replacing the lightbulb.
3. Do not touch bulb when fixture is turned on or look directly at lit bulb.
4. Keep flammable materials away from lit bulb.

to assemble:

1. Shut off power at the outlet box where the fixture will be installed
2. Carefully remove all parts from the box and remove all plastic coverings. Take care not to lose any small parts.
3. Determine the desired hanging height, unlock the screw at the Cable Tie (I) with a screwdriver, pull the wire gently to desired length, and tighten the screws on the Cable Tie (I).
4. Attach the Mounting Plate (B) to outlet box using the Mounting Screws (C) and tighten the Mounting Screws (C) with a screwdriver. Ensure the side of the Mounting Plate (B) marked "GND" is facing out.
5. While holding the fixture, connect the black wire from fixture to the hot wire (usually black or smooth) from the outlet box using a wire connector (A). Connect the white wire from fixture to the neutral wire (usually white or ribbed) from the outlet box using a wire connector (A). **DO NOT REVERSE THE HOT AND NEUTRAL WIRE CONNECTIONS; OTHERWISE, SAFETY WILL BE COMPROMISED.**
6. If the outlet box has a ground wire (green or bare copper), connect the green ground wire from the fixture to it using a wire connector (A). If the outlet box does not have a ground wire, connect the green ground wire from the fixture to the green ground screw provided on the Mounting Plate (B).
7. Tuck these wire connections neatly into the outlet box, align the three holes of the Canopy (E) with the corresponding holes on the Mounting Plate (B), secure the Canopy (E) with the Canopy Screws (D) until the fixture is secured to the ceiling.
8. Install the Light Bulb (G) (not included) in accordance with the fixture's specifications (DO NOT EXCEED THE SPECIFIED WATTAGE RATING) onto the Socket (F).
9. Screw Glass Shade (H) over Socket (F).
10. Installation is completed. Turn on the power at the circuit breaker or fuse box. Turn the light switch to activate the fixture.

parts enclosed:

ITEM	DIAGRAM	DESCRIPTION	QTY
(A)		Wire Connectors	3
(B)		Mounting Plate & green ground screw	1
(C)		Mounting Screw	2
(D)		Canopy Screw	2
(E)		Canopy	1
(F)		Glass Shade	3
(G)		Light Bulb (not included)	3
(H)		Pivot Joint	1
(I)		Pipe	4*6" 4*12" 3*24"



important safety instructions:

CONSULT A QUALIFIED ELECTRICIAN TO ENSURE CORRECT BRANCH CIRCUIT CONDUCTOR.

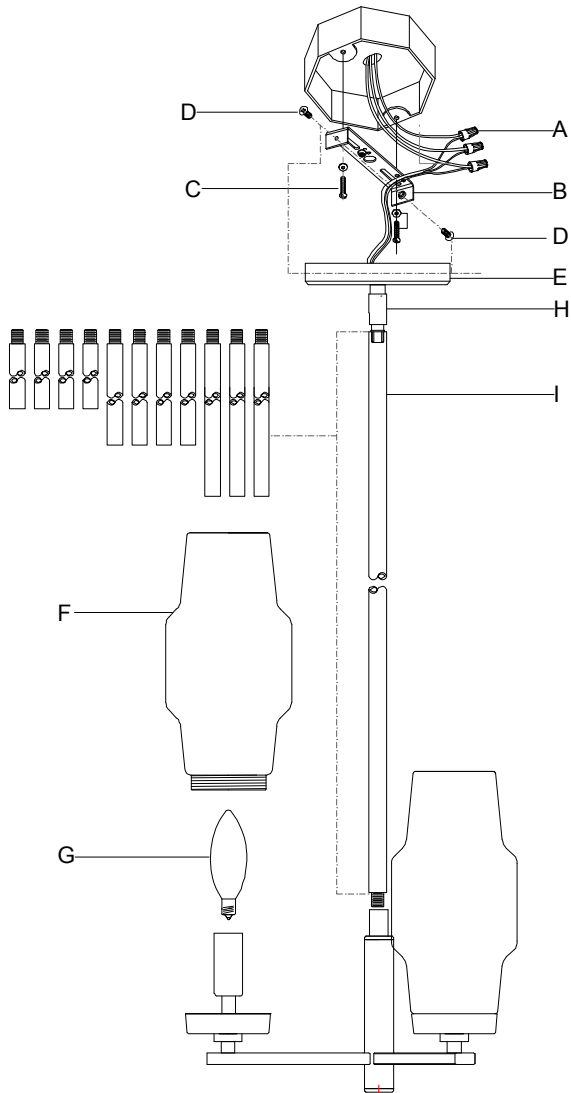
1. We recommend installation by a licensed electrician.
2. To avoid the risk of fire, do not exceed the recommended wattage of three 9-watt Type B LED lightbulb (60-watt incandescent bulb equivalent) for this fixture.

warnings:

1. All wires are connected. Do not remove the fixture from packaging by pulling on the wires as a bad connection may result.
2. To avoid the risk of fire, electrical shock, or personal injury, always turn off fixture and allow it to cool prior to replacing the lightbulb.
3. Do not touch bulb when fixture is turned on or look directly at lit bulb.
4. Keep flammable materials away from lit bulb.

to assemble as semi flush:

1. Carefully remove all parts from the box and remove all protective coverings. Take care not to lose any small parts.
2. Turn OFF power at the outlet box where the fixture will be installed.
3. Attach the Mounting Plate (B) to outlet box using the Mounting Screws (C), tighten with a screwdriver. Ensure the side of the Mounting Plate (B) marked "GND" is facing out.
4. Assemble one 12" Length Pipe (I) to the fixture body. Feed the wire through Pipe (I) and Canopy (E)
5. While holding the fixture, connect the black wire from fixture to the hot wire (usually black or smooth) from the outlet box using a wire connector (A). Connect the white wire from fixture to the neutral wire (usually white or ribbed) from the outlet box using a wire connector (A). DO NOT REVERSE THE HOT AND NEUTRAL WIRE CONNECTIONS; OTHERWISE, SAFETY WILL BE COMPROMISED.
6. If the outlet box has a ground wire (green or bare copper), connect the green ground wire from the fixture to it using a wire connector (A). If the outlet box does not have a ground wire, connect the green ground wire from the fixture to the green ground screw provided on the Mounting Plate (B).
7. Tuck these wire connections neatly into the outlet box, align the two holes of the Canopy (E) with the corresponding holes on the Mounting Plate (B), secure the Canopy (E) with the Canopy Screws (D) until the fixture is secured to the ceiling.
8. Install the proper light bulbs (G) (not included) in accordance with the fixture's specifications (DO NOT EXCEED THE SPECIFIED WATTAGE RATING).
9. Install the Glass Shades (F) onto Sockets by screwing clockwise.
10. Installation is completed. Turn on the power at the circuit breaker or fuse box. Turn the light switch to activate the fixture.












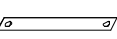

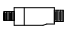

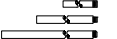

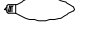


to assemble as pendant:

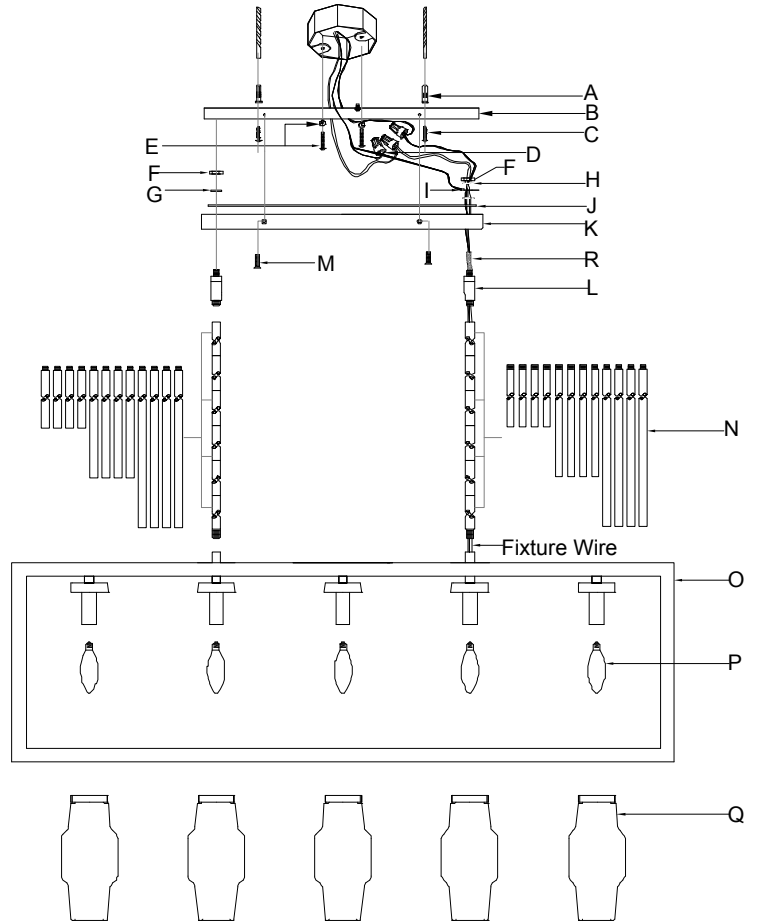
1. Carefully remove all parts from the box and remove all protective coverings. Take care not to lose any small parts.
2. Turn OFF power at the outlet box where the fixture will be installed.
3. Determine desired hanging height, feed the wires through Pipes (I), Pivot Joint (H) and Canopy (E), and assemble the Pipes (I) onto the fixture body.
4. Attach the Mounting Plate (B) to outlet box using the Mounting Screws (C), tighten with a screwdriver. Ensure the side of the Mounting Plate (B) marked "GND" is facing out.
5. While holding the fixture, connect the black wire from fixture to the hot wire (usually black or smooth) from the outlet box using a wire connector (A). Connect the white wire from fixture to the neutral wire (usually white or ribbed) from the outlet box using a wire connector (A). **DO NOT REVERSE THE HOT AND NEUTRAL WIRE CONNECTIONS; OTHERWISE, SAFETY WILL BE COMPROMISED.**
6. If the outlet box has a ground wire (green or bare copper), connect the green ground wire from the fixture to it using a wire connector (A). If the outlet box does not have a ground wire, connect the green ground wire from the fixture to the green ground screw provided on the Mounting Plate (B).
7. Tuck these wire connections neatly into the outlet box, align the two holes of the Canopy (E) with the corresponding holes on the Mounting Plate (B), secure the Canopy (E) with the Canopy Screws (D) until the fixture is secured to the ceiling.
8. Install the proper light bulbs (G) (not included) in accordance with the fixture's specifications (**DO NOT EXCEED THE SPECIFIED WATTAGE RATING**).
9. Install the Glass Shades (F) onto Sockets by screwing clockwise.
10. Installation is completed. Turn on the power at the circuit breaker or fuse box. Turn the light switch to activate the fixture.

care instructions:

Wipe all surfaces with a soft, dry cloth. Do not use any harsh cleaners (including ammonia-based products) or abrasives on the fixture as they will damage the surface.

parts enclosed:

ITEM	DIAGRAM	DESCRIPTION	QTY
(A)		Anchor	2
(B)		Mounting Plate & green ground screw	1
(C)		Wood screw	2
(D)		Wire Connector	3
(E)		Mounting Screw	2
(F)		Hex Nut	2
(G)		Spring Washer	1
(H)		Internal Star Washer	2
(I)		Ground Wire	1
(J)		Reinforce Plate	1
(K)		Canopy	1
(L)		Pivot Joint	2
(M)		Canopy Screw	4
(N)		Pipe with Nipple	6**8 12**8 18**8
(O)		Frame	1
(P)		Light Bulb (not included)	5
(Q)		Glass Shade	5
(R)		Fiberglass Sleeve	1



important safety instructions:

CONSULT A QUALIFIED ELECTRICIAN TO ENSURE CORRECT BRANCH CIRCUIT CONDUCTOR.

1. We recommend installation by a licensed electrician.
2. This fixture has been rated for five 5 watt type B LED lightbulb (60-watt incandescent bulb equivalent). To avoid the risk of fire, do not exceed the recommended wattage.

warnings:

1. All wires are connected. When unpacking, be carefully not to remove the fixture from packaging by pulling on the power cord as a bad connection may result. Do not connect electricity until the fixture is fully assembled.
2. To reduce the risk of fire, electrical shock, or personal injury, always turn off fixture and allow it to cool prior to replacing the light bulb.
3. Do not touch bulb when fixture is turned on or look directly at lit bulb.
4. Keep flammable materials away from lit bulb.

to assemble and install:

1. Shut off power at the outlet box where the fixture will be installed.
2. Carefully remove all parts from the box and remove all plastic coverings. Take care not to lose any small parts.
3. Determine the desired hanging height, and connect the numbers of Pipes (N) needed for proper hanging height. While connecting the pipes, feed the fixture wire through the Pipes (N), the Pivot Joint (L) and Canopy (K).
4. Disassemble the Hex Nuts (F), the Spring Washers (G), the Internal Star Washers (H) and the Reinforce Plate (J) from the Pivot Joint (L). Feed the fixtures wires through the Fiberglass Sleeves (R) and the Reinforce Plate (J), let the nipples that are pre-assembled on Pivot Joint (L) exit from the holes of the Reinforce Plate (J).

6. Place the Spring Washers (G) and Hex Nuts (F) over one nipple in sequence; place one Internal Star Washer (H), the Ground Wire (I), another Internal Star Washer (H) and Hex Nut (F) over the other nipple in sequence. Tighten all the Hex Nuts (F).
7. Drill two holes into the ceiling for inserting the Anchors (A). Insert an anchor into each hole in the ceiling.
8. Attach the Mounting Plate (B) to the outlet box with the Mounting Screws (E). Insert the Wood Screws (C) through the corresponding holes on the Mounting Plate (B) into the Anchors (A), tighten the Wood Screws (C) using screwdriver.
9. While holding the fixture, connect the black wire from fixture to the hot wire (usually black or smooth) from the outlet box using a wire connector (D). Connect the white wire from fixture to the neutral wire (usually white or ribbed) from the outlet box using a wire connector (D). **DO NOT REVERSE THE HOT AND NEUTRAL WIRE CONNECTIONS; OTHERWISE, SAFETY WILL BE COMPROMISED.**
10. If the outlet box has a ground wire (green or bare copper), connect the green ground wire from the fixture to it using a wire connector (D). If the outlet box does not have a ground wire, connect the green ground wire from the fixture to the green ground screw provided on the Mounting Plate (B).
11. Tuck these wire connections neatly into the outlet box, align the four holes of the Canopy (K) with the corresponding holes on the Mounting Plate (B), secure the Canopy (K) with the Canopy Screws (M) until the fixture is secured to the ceiling.
12. Install the proper light bulbs (P) (not included) in accordance with the fixture's specification (**DO NOT EXCEED THE SPECIFIED WATTAGE RATING**).
13. Install the Glass Shades (Q) onto sockets by screwing clockwise.
14. Installation is completed. Turn on the power at the circuit breaker or fuse box. Turn the light switch to activate the fixture.

care instructions:

Wipe all surfaces with a soft, dry cloth. Do not use any harsh cleaners (including ammonia-based products) or abrasives on our lamp, as they will damage the finish.

LUCREZIA-2 LTS WALL SCONCE

#65636H0305

ARHAUS®

your home

parts enclosed:

- (B) Cross bar screws (2)
- (H) wire nuts (3)

important safety instructions:

1. We recommend installation by a licensed electrician.
2. To avoid the risk of fire, do not exceed the recommended wattage for this fixture.
wattage: 2 x 40W
type of socket: E12

warnings:

1. Do not remove the lamp from its packaging by pulling on the power cord, as a bad connection may result.
2. To avoid the risk of fire, electrical shock, or personal injury, turn off lamp and allow it to cool prior to replacing light bulb.
3. Do not touch bulb when fixture is turned on or look directly at lit bulb.
4. Keep flammable materials away from lit bulb.

to assemble:

- Disassemble metal box cover(C) and cross bar(A) from back of the sconce
- Attach the cross bar(A) to the electrical box using the cross bar screws (B)
- Attach the metal box cover (C) to the cross bar (A) using the metal box cover screws (D)
- Attach the box of the sconce (E) to the metal box cover (C) using the screws (F)

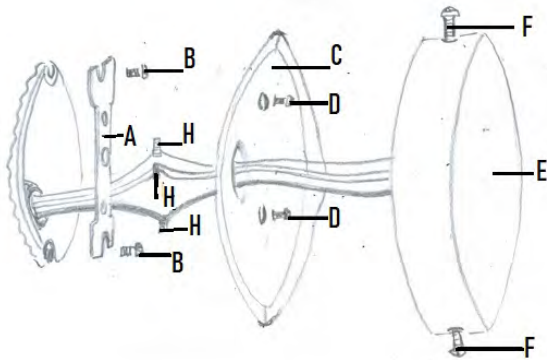
See back of the page for wiring connection details

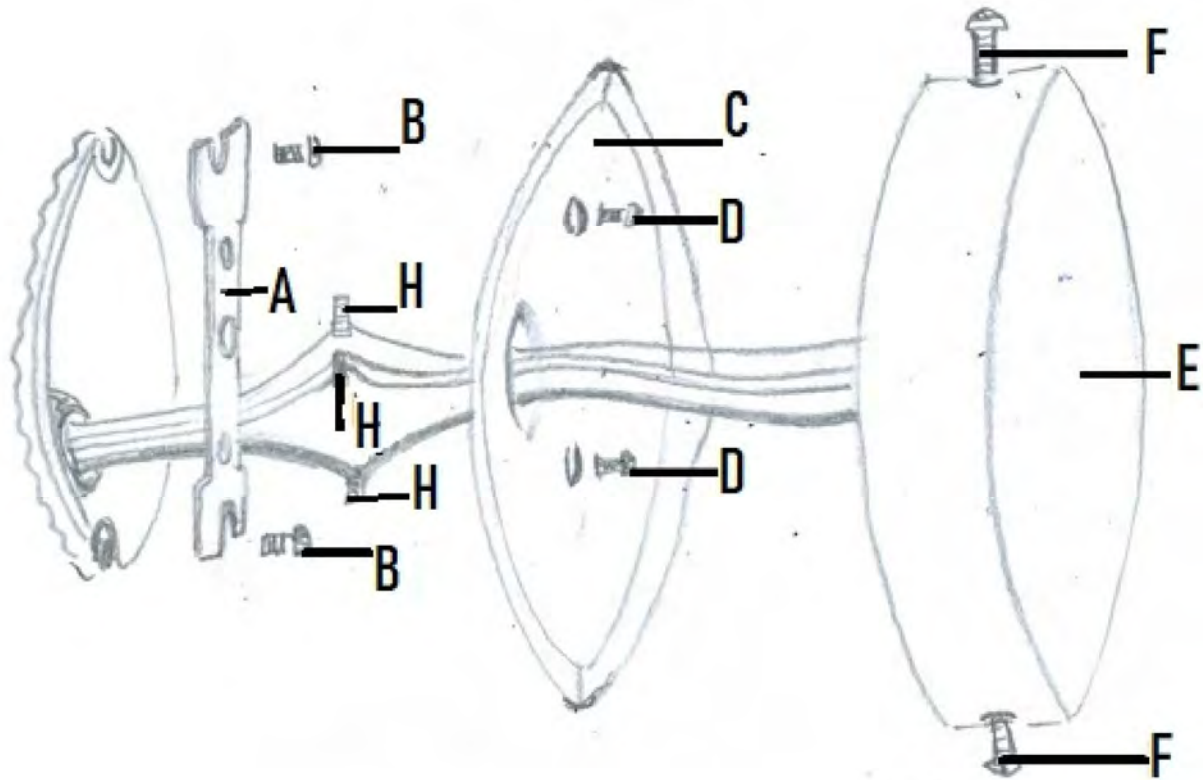
replacement parts assembly:

- To replace the glass drops (G), (H) insert wire clip into the hole on the iron frame. Twist the wire to close loop and secure it in place.

care instructions:

Clean with dry soft cloth/brush only.
Do not use water/alcohol or any detergent.





INSTALLATION INSTRUCTIONS

INCANDESCENT SURFACE MOUNTED LUMINAIRES:

CAUTION

- A PERSON FAMILIAR WITH THE CONSTRUCTION AND OPERATION OF THE PRODUCT MUST INSTALL THIS PRODUCT IN ACCORDANCE WITH THE APPLICABLE INSTALLATION CODE AND THE HAZARDS INVOLVED.

WARNING

- The electricity MUST be turned off at the MAIN FUSE BOX before installation of this luminaire; turning the power off using the light switch is not sufficient to prevent electrical shock.
- Luminaires weighing 50 lbs (25 lbs for surface wall) or more must be mounted directly to the building structure, independently of the electrical box; this installation should not be made on a radiant heat type ceiling.

- If a chain-and-canopy luminaire is provided of an individual grounding conductor (bare or insulated), this shall be interwoven through the chain from the luminaire to the canopy.
- If chain-and-canopy luminaire is provided of a SPT-1 power supply cord type, this shall interwoven through the chain from the luminaire to the canopy.
- The luminaire are not intended to support external weight other than provided glasses.

- WIRE CONNECTION CHART:

Connect Black or Red (Hot) House Wire to:	Connect White (Neutral) House Wire to:
Black (Hot)	White (Neutral)
Parallel cord (round and smooth)	Parallel cord (square or ridged)
Clear, Brown, Gold or Black without tracer	Clear, Brown, Gold or Black with tracer
Insulated wire (other than green) with copper conductor	Insulated wire (other than green) with silver conductor

- ELECTRICAL CONNECTION:

- 1 Attach grounding wire (green insulated or bare copper) from the supply circuit to the mounting bracket with the green ground attachment screw provided. Connect the grounding wire of the luminaire to the grounding conductor of the supply circuit. Attach all grounding conductors to the mounting bracket with the green ground wire attachment screw.
- 2 Referring to the Wire Connection Chart, connect the black and white wires.

CAUTION

No loose strands or loose connections should be present. Secure with U.L. certified wire connectors and electrical tape.

- FINAL INSTRUCTION:

- 1 Install light bulbs; refer to the relamping label located near the lampholder for recommended wattage. DO NOT EXCEED THE RECOMMENDED WATTAGE.
- 2 Restore electricity and check the operation of the luminaire.

In case of change of the article, not previously authorized, the UL Certification will be terminated immediately

**NOTICE DE MONTAGE
PLAFONNIERES INCANDESCENTS
ATTENTION**

- Le montage doit être effectué par personnes compétentes selon le code d'installation en vigueur et les risques impliqués.
- La sûreté de l'installation est soumise au correct usage des instructions suivantes

AVERTISSEMENT

- Avant d'effectuer chaque opération, couper le courant à la boîte du fusible principale. La mise hors tension grâce à l'interrupteur n'est pas suffisante pour prévenir les chocs électriques.
- Luminaires qui sont lourds 50 Lbs. Ou plus (25 Lbs. Pour appareil mur) doivent être montés directement à la structure du bâtiment, de façon indépendante de la boîte électrique; cette installation ne doit pas être fait sur un plafond avec systèmes de chauffages radiants
- Dans le cas du luminaire avec chaîne et pavillon, il faut passé les câbles a travers les maillons de la chaîne, soit s'il est équipé avec un câble conducteur de mise à la terre individuelle (nu ou isolé), soit s'il est équipé avec un câble d'alimentation SPT-1.
- Les appareils ne devraient pas porte plus de poids que celle prévue pour les verres décoratif

• TABLE CONNEXION CABLES:

Connecter le fil de la maison NOIR ou ROUGE (phase) avec:	Connecter le fil de la maison BLANC (neutre) avec:
Noir (Phase)	Blanc (neutre)
Fil parallèle (ronde et lisse)	Fil parallèle (carré ou striée)
Clair, Marron, Or ou Noir SANS traceur	Clair, Marron, or ou Noir AVEC traceur
Fil isolé (autre que Vert) avec conducteur Cuivre	Fil isolé (autre que Vert) avec conducteur Argent

• CONNEXIONS ÉLECTRIQUES

1. Fixez le fil de terre (vert isolé ou cuivre nu) du circuit d'alimentation au support de montage par la vis vert de fixation de terre fourni.
2. Connectez le fil de mise à la terre du luminaire au conducteur de mise à la terre du circuit d'alimentation. Fixez tous les conducteurs de terre au support de montage avec la vis vert de fixation.
3. Connectez les fils noir et blanc en référant à la table connexion câbles

ATTENTION

Fil libre ou des connexions desserrées ne doivent pas être présents. Fixer avec des connecteurs de fils certifié UL et du ruban électrique.

• INSTALLATION FINALE

1. Installer des ampoules de puissance recommandée, reportez-vous à l'étiquette de remplacement de la lampe situé en proximité de la douille.
2. Ne pas dépasser la puissance recommandée

AVERTISSEMENT

Instructions supplémentaires

Pour la fixation, utiliser les vis fournies et vérifier que le pavillon couvre complètement la boîte de sortie.

En cas de changement d'article, pas autorisé précédemment, la certification UL se terminera immédiatement.

PARTS INVENTORY

Super Category	Product ID	Description	Stat	Collection	Route
LIGHTING	91636H305CRL	LUCREZIA SCONCE LG CRYSTAL 50 MM CRYSTAL W/ OCTAGON	A	PT-LUCREZI	PART
LIGHTING	91636H305CRS	LUCREZIA SCONCE SM CRYSTAL 38 MM CRYSTAL W/ OCTAGON	A	PT-LUCREZI	PART

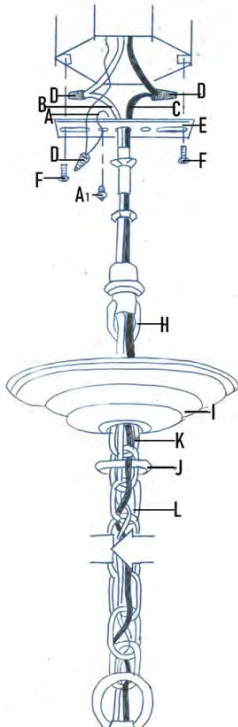
LUISA CHANDELIER 9LTS NEW GREY/SILVER #66636H055

ARHAUS®

your home

parts enclosed:

- (D) wire nuts (3)
- (E) cross bar set (1)
- (F) cross bar screws (2)
- (I) canopy (1)



important safety instructions:

1. We recommend installation by a licensed electrician.
2. To avoid the risk of fire, do not exceed the recommended wattage for this fixture.

wattage: 9 x 40W
type of socket: E12

warnings:

1. Do not remove the lamp from its packaging by pulling on the power cord, as a bad connection may result.
2. To avoid the risk of fire, electrical shock, or personal injury, turn off lamp and allow it to cool prior to replacing light bulb.
3. Do not touch bulb when fixture is turned on or look directly at lit bulb.
4. Keep flammable materials away from lit bulb.

to assemble:

- Attach cross bar (E) to the ceiling junction box using the cross bar screws (F).
- Unscrew the collar ring (J).
- Insert the collar loop (H) into the canopy (I).
- Screw the collar ring (J) back.
- Attach the chandelier chain (L) to the collar loop (H) with the quick link (K).

See back of the page for wiring connection details.

replacement parts assembly:

- To replace the glass drop (N) insert wire clip into the hole on the iron bud. Twist the wire around bud to secure glass part in place.
- To replace the finial glass sphere (O) screw the finial ball in the threaded part of the chandelier bottom.

care instructions:

Clean with dry soft cloth/brush only.
Do not use water/alcohol or any detergent.

INSTALLATION INSTRUCTIONS

INCANDESCENT SURFACE MOUNTED LUMINAIRES:

CAUTION

- A PERSON FAMILIAR WITH THE CONSTRUCTION AND OPERATION OF THE PRODUCT MUST INSTALL THIS PRODUCT IN ACCORDANCE WITH THE APPLICABLE INSTALLATION CODE AND THE HAZARDS INVOLVED.

WARNING

- The electricity MUST be turned off at the MAIN FUSE BOX before installation of this luminaire; turning the power off using the light switch is not sufficient to prevent electrical shock.
- Luminaires weighing 50 lbs (25 lbs for surface wall) or more must be mounted directly to the building structure, independently of the electrical box; this installation should not be made on a radiant heat type ceiling.

- If a chain-and-canopy luminaire is provided of an individual grounding conductor (bare or insulated), this shall be interwoven through the chain from the luminaire to the canopy.
- If chain-and-canopy luminaire is provided of a SPT-1 power supply cord type, this shall interwoven through the chain from the luminaire to the canopy.
- The luminaires are not intended to support external weight other than provided glasses.

- WIRE CONNECTION CHART:

Connect Black or Red (Hot) House Wire to:	Connect White (Neutral) House Wire to:
Black (Hot)	White (Neutral)
Parallel cord (round and smooth)	Parallel cord (square or ridged)
Clear, Brown, Gold or Black without tracer	Clear, Brown, Gold or Black with tracer
Insulated wire (other than green) with copper conductor	Insulated wire (other than green) with silver conductor

- ELECTRICAL CONNECTION:

1 Attach grounding wire (green insulated or bare copper) from the supply circuit to the mounting bracket with the green ground attachment screw provided. Connect the grounding wire of the luminaire to the grounding conductor of the supply circuit. Attach all grounding conductors to the mounting bracket with the green ground wire attachment screw.

2 Referring to the Wire Connection Chart, connect the black and white wires.

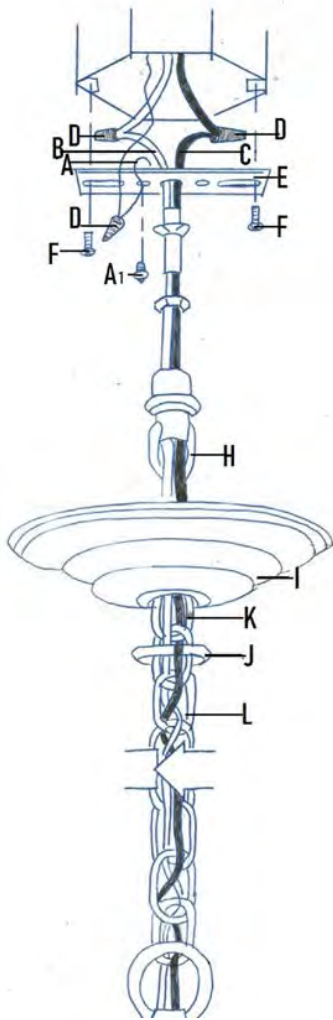
CAUTION

No loose strands or loose connections should be present. Secure with U.L. certified wire connectors and electrical tape.

- FINAL INSTRUCTION:

- 1 Install light bulbs, refer to the relamping label located near the lampholder for recommended wattage. DO NOT EXCEED THE RECOMMENDED WATTAGE.
- 2 Restore electricity and check the operation of the luminaire.

In case of change of the article, not previously authorized, the UL Certification will be terminated immediately



NOTICE DE MONTAGE PLAFONNIERES INCANDESCENTS

ATTENTION

- Le montage doit être effectué par personnes compétentes selon le code d'installation en vigueur et les risques impliqués.
- La sûreté de l'installation est soumise au correct usage des instructions suivantes

AVERTISSEMENT

- Avant d'effectuer chaque opération, couper le courant à la boîte du fusible principale. La mise hors tension grâce à l'interrupteur n'est pas suffisante pour prévenir les chocs électriques.
- Luminaires qui sont lourds 50 Lbs. Ou plus (25 Lbs. Pour appareil mur) doivent être montés directement à la structure du bâtiment, de façon indépendante de la boîte électrique; cette installation ne doit pas être fait sur un plafond avec systèmes de chauffages radiants
- Dans le cas du luminaire avec chaîne et pavillon, il faut passé les câbles a travers les maillons de la chaîne, soit s'il est équipé avec un câble conducteur de mise à la terre individuelle (nu ou isolé), soit s'il est équipé avec un câble d'alimentation SPT-1.
- Les appareils ne devraient pas porte plus de poids que celle prévue pour les verres décoratif

• TABLE CONNEXION CABLES:

Connecter le fil de la maison NOIR ou ROUGE (phase) avec:	Connecter le fil de la maison BLANC (neutre) avec:
Noir (Phase)	Blanc (neutre)
Fil parallèle (ronde et lisse)	Fil parallèle (carré ou striée)
Clair, Marron, Or ou Noir SANS traceur	Clair, Marron, or ou Noir AVEC traceur
Fil isolé (autre que Vert) avec conducteur Cuivre	Fil isolé (autre que Vert) avec conducteur Argent

• CONNEXIONS ÉLECTRIQUES

1. Fixez le fil de terre (vert isolé ou cuivre nu) du circuit d'alimentation au support de montage par la vis vert de fixation de terre fourni.
2. Connectez le fil de mise à la terre du luminaire au conducteur de mise à la terre du circuit d'alimentation. Fixez tous les conducteurs de terre au support de montage avec la vis vert de fixation.
3. Connectez les fils noir et blanc en référant à la table connexion câbles

ATTENTION

Fil libre ou des connexions desserrées ne doivent pas être présents. Fixer avec des connecteurs de fils certifié UL et du ruban électrique.

• INSTALLATION FINALE

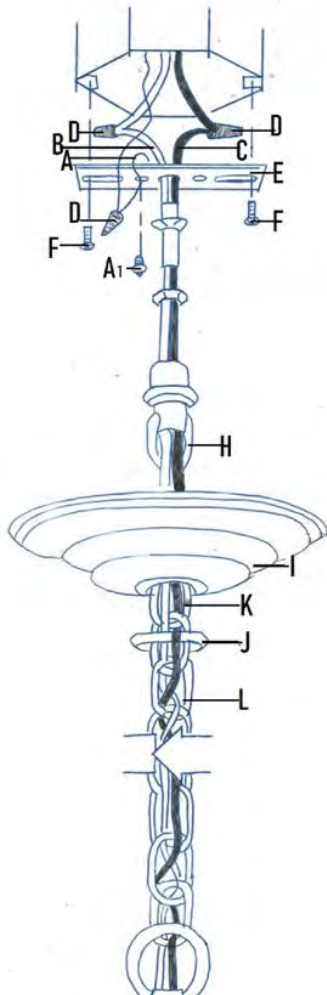
1. Installer des ampoules de puissance recommandée, reportez-vous à l'étiquette de remplacement de la lampe situé en proximité de la douille.
2. Ne pas dépasser la puissance recommandée

AVERTISSEMENT

Instructions supplémentaires

Pour la fixation, utiliser les vis fournies et vérifier que le pavillon couvre complètement la boîte de sortie.

En cas de changement d'article, pas autorisé précédemment, la certification UL se terminera immédiatement.



PARTS INVENTORY

Super Category	Product ID	Description	Stat	Collection	Route
LIGHTING	91636LSACH	LUIA HRT CHAND 12 FT CHAIN NEW GREY/ SILVER CHAIN	A	PT-LUIA	PART
LIGHTING	91636LSACH6	LUIA HRT CHAND 6 FT CHAIN NEW GREY/ SILVER CHAIN	A	PT-LUIA	PART
LIGHTING	91636LSACN	LUIA HRT CHAND CANOPY CANOPY W/ HARDWARE	A	PT-LUIA	PART
LIGHTING	91636LSAFS	LUIA HRT CHAND FINAL SPHERE 30 MM GLASS SPHERE	A	PT-LUIA	PART
LIGHTING	91636LSAGD	LUIA HRT CHAND GLASS DROP 38 MM GLASS DROP	A	PT-LUIA	PART