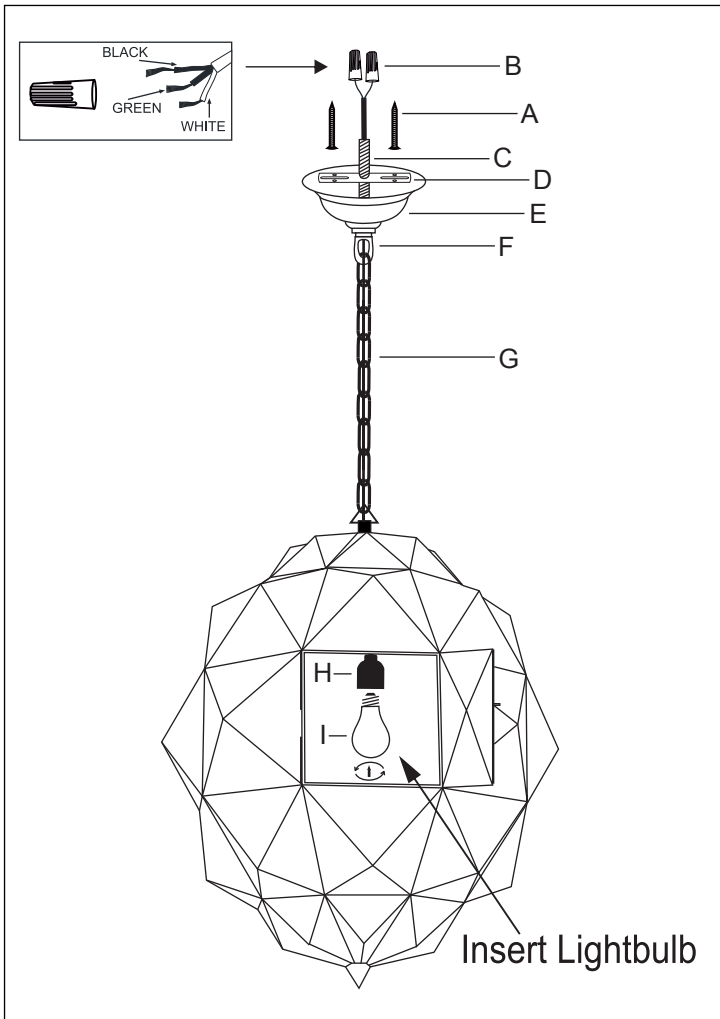


FARIDA CHANDELIER

parts enclosed:

- A. Mounting screw (2)
- B. Wire connector (2)

**important safety instructions:**

1. Professional installation recommended.
2. To avoid the risk of fire, do not exceed the recommended wattage for this fixture.

UL NO: E340057, UL RATING: DRY, MAX BULB WATTAGE: 60 W
 CONVERSION TO MAX LED WATTAGE: 4-5 W
 BULB: 1 X A-19 (NOT INCLUDED)

warnings:

1. Do not remove the lamp from its packaging by pulling on the power cord, as a bad connection may result.
2. To avoid the risk of fire, electrical shock, or personal injury, turn off lamp and allow it to cool prior to replacing light bulb.
3. Do not touch bulb when fixture is turned on or look directly at lit bulb.
4. Keep flammable materials away from lit bulb.

to assemble:

1. Carefully remove all parts from the box and remove all protective coverings.
2. Turn OFF power to the junction box where the lamp will be installed.
3. Measure desired drop of fixture from ceiling, and remove any unnecessary links from chain (G), if desired.
4. Attach cross bar (D) to ceiling outlet box using mounting screws (A).
5. Pull wire from ceiling box and attach ground wire (usually green or bare wire) on cross bar (D) with a screw.
6. Attach hot wire from ceiling box (usually black) to hot wire on fixture with a plastic wire connector (B) and wrap this connection with an electrical tape.
7. Attach neutral wire from ceiling box (usually white) to neutral wire on fixture with a plastic wire connector (B) and wrap this connection with an electrical tape.
8. Slide canopy (E) up and hold flush against ceiling. Screw the chain hook (F) to the threaded tube (C) to hang the fixture.
9. Insert the bulb (I) into socket (H) as shown in picture.
10. Restore power to the junction box and test lamp fixture.

care instructions:

Do not use polishes or cleaners on your lamp. Just wipe with soft, lint free cloth.

FARIDA PENDANT

parts enclosed:

- A. Mounting screw (2)
- B. Wire connector (2)

important safety instructions:

1. Professional installation recommended.
2. To avoid the risk of fire, do not exceed the recommended wattage for this fixture.

UL NO: E340057, UL RATING: DRY, MAX BULB WATTAGE: 40 W
 CONVERSION TO MAX LED WATTAGE: 4-5 W
 BULB: 1 X A-19 (NOT INCLUDED)

warnings:

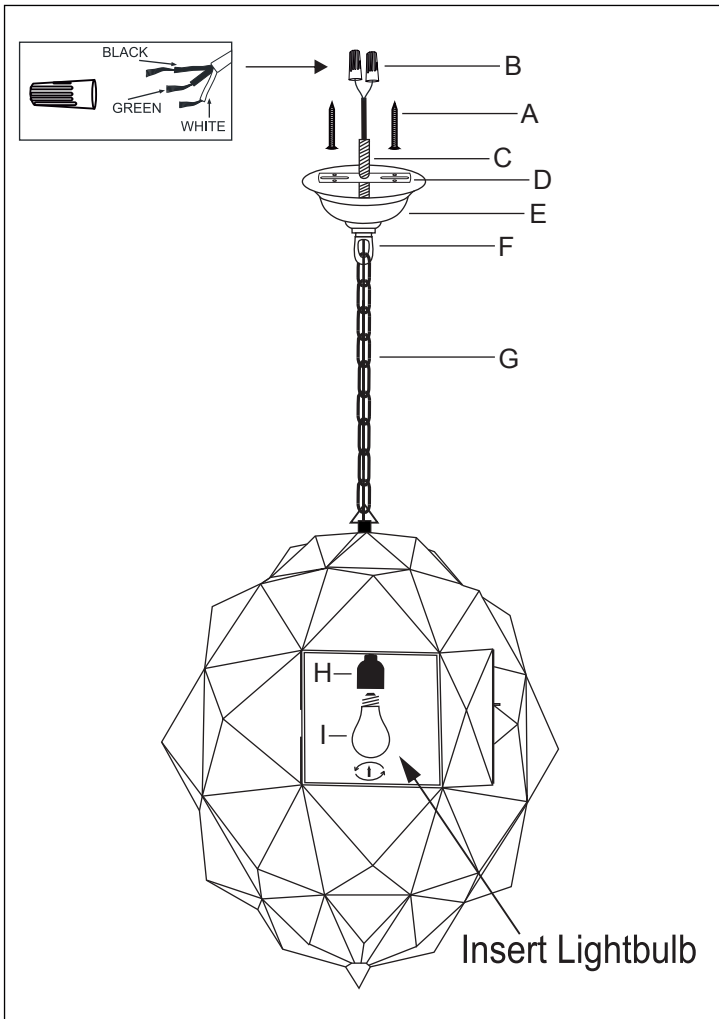
1. Do not remove the lamp from its packaging by pulling on the power cord, as a bad connection may result.
2. To avoid the risk of fire, electrical shock, or personal injury, turn off lamp and allow it to cool prior to replacing light bulb.
3. Do not touch bulb when fixture is turned on or look directly at lit bulb.
4. Keep flammable materials away from lit bulb.

to assemble:

1. Carefully remove all parts from the box and remove all protective coverings.
2. Turn OFF power to the junction box where the lamp will be installed.
3. Measure desired drop of fixture from ceiling, and remove any unnecessary links from chain (G), if desired.
4. Attach cross bar (D) to ceiling outlet box using mounting screws (A).
5. Pull wire from ceiling box and attach ground wire (usually green or bare wire) on cross bar (D) with a screw.
6. Attach hot wire from ceiling box (usually black) to hot wire on fixture with a plastic wire connector (B) and wrap this connection with an electrical tape.
7. Attach neutral wire from ceiling box (usually white) to neutral wire on fixture with a plastic wire connector (B) and wrap this connection with an electrical tape.
8. Slide canopy (E) up and hold flush against ceiling. Screw the chain hook (F) to the threaded tube (C) to hang the fixture.
9. Insert the bulb (I) into socket (H) as shown in picture.
10. Restore power to the junction box and test lamp fixture.

care instructions:

Do not use polishes or cleaners on your lamp. Just wipe with soft, lint free cloth.

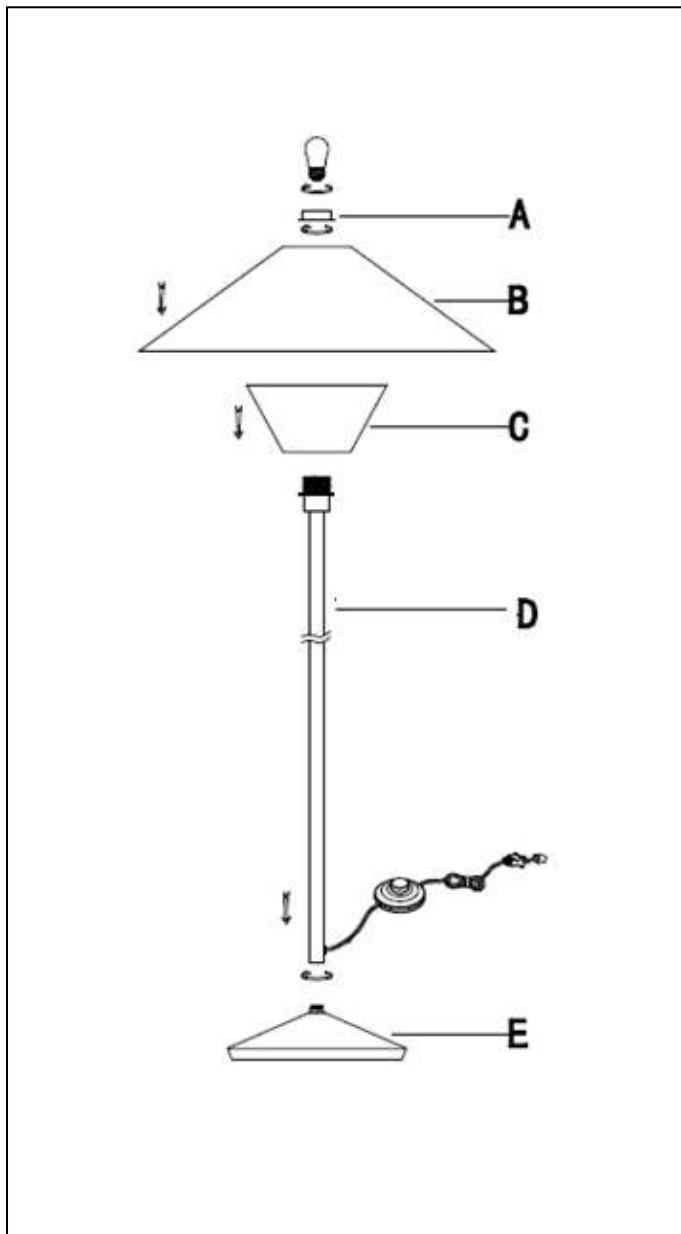


LIGHTING PARTS SKUS

CATEGORY	SKU	DESCRIPTION	STATUS	COLLECTION	ROUTE
LIGHTING	912082H129CH	FARIDA CHANDELIER 12 FT CHAIN BLACK NICKEL MATTE HANGING CH	D	PT-FARIDA	PART
LIGHTING	912082H129C6	FARIDA CHANDELIER 6 FT CHAIN BLACK NICKEL MATTE HANGING CH	D	PT-FARIDA	PART
LIGHTING	912082H129CN	FARIDA CHANDELIER CANOPY BLACK NICKEL MATTE CANOPY	D	PT-FARIDA	PART

parts enclosed:

A	Locking Ring	1
B	Rattan Shade	1
C	Fabric Shade	1
D	Lamp Body Tube	1
E	Lamp Base	1



important safety instructions:

1. To avoid the risk of fire, do not exceed the recommended wattage.
2. This portable lamp has a polarized plug as a safety feature to reduce the risk of electric shock (one blade is wider than the other). This plug will fit in a polarized outlet only one way. If the plug does not fit fully in the outlet, reverse the plug. If it still does not fit, contact a qualified electrician. Never use with an extension cord unless plug can be fully inserted. Do not attempt to defeat this safety feature.

warnings:

1. Do not remove the lamp from packaging by pulling on the power cord as a bad connection may result.
2. To reduce the risk of fire, electrical shock or personal injury, turn off lamp and allow it to cool prior to replacing the light bulb.
3. Do not touch the bulb when the lamp is turned on or look directly at lit bulb.
4. Keep flammable materials away from lit bulb.
5. Remove the clear shade cover prior to use.
6. This portable lamp is meant for indoor use, dry locations only.
7. This lamp has been rated for up to one (1) 60-Watt maximum Type A standard medium base incandescent light bulb (not included) or one (1) 13-watt compact fluorescent light bulb (not included) or one (1) 9-Watt LED light bulb (not included).
8. Remove the silica gel pack from the socket before plugging the lamp in.
9. Save these instructions.

to assemble:

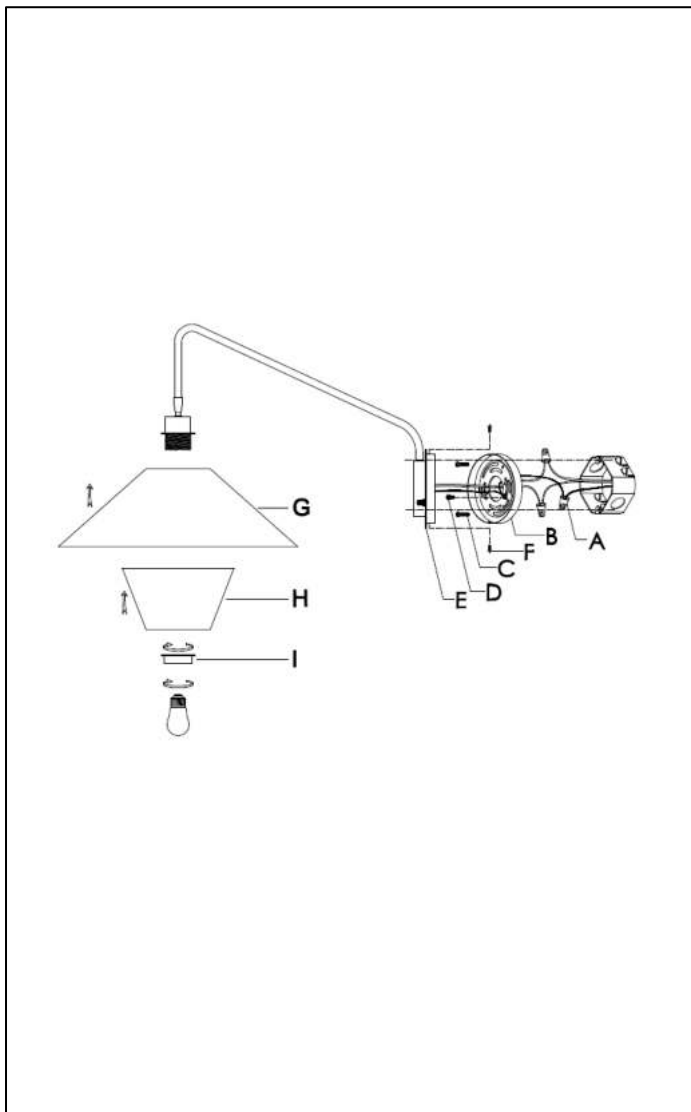
1. Unpack all parts from carton carefully.
2. Screw the Lamp Body Tube (D) into Lamp Base (E) until tighten.
3. Unscrew the Locking Ring (A) from lamp socket.
4. Place the Rattan Shade (C) and then the Fabric Shade (B) over lamp socket. Secure the shades by tightening the Locking Ring (A) over the socket.
5. Insert ONE (1) 60-Watt maximum TYPE A standard medium base incandescent light bulb (not included), or ONE (1) 13-Watt compact fluorescent light bulb (not included), or ONE (1) 9-Watt LED light bulb (not included) into the socket. For your convenience, ONE (1) 5-Watt LED light bulb is included.
6. Remove the protective plastic from the electrical plug.
7. Plug the lamp into the proper electrical outlet and test this lamp.

care instructions:

1. Wipe clean with a soft, dry cloth or static duster.
2. Always avoid the use of harsh chemicals or abrasive cleaners as they may cause damage to the lamp finish.

parts enclosed:

A	Wire Connector	3
B	Mounting Bracket	1
C	Outlet Box Screw	2
D	Ground Screw	1
E	Back Plate	1
F	Mounting Screw	2
G	Rattan Shade	1
H	Fabric Shade	1
I	Locking Ring	1



caution:

BEFORE INSTALLING THIS FIXTURE, MAKE SURE THE POWER TO THE CIRCUIT IS TURNED OFF AT THE MAIN FUSE BOX / CIRCUIT BREAKER UTILITY BOX.

important safety instructions:

1. We recommend installation by a licensed electrician.
2. To avoid the risk of fire, do not exceed the recommended wattage for this fixture.
3. This fixture is meant for indoor use, DRY LOCATIONS ONLY.
4. Do not use the electric cord to support the weight of the fixture.
5. These instructions are provided for your safety. It is important that these are read carefully and completely before beginning the installation of this lighting fixture.
6. For your safety, it is strongly recommended that two people install the lighting fixture.
7. Save these instructions.

warnings:

1. Do not remove the fixture from the packaging by pulling on the power cord as a bad connection or damage may result.
2. To reduce the risk of fire, electrical shock or personal injury, always turn off the fixture and allow it to cool prior to replacing the light bulb.
3. Do not touch the bulb when the fixture is turned on. Do not look directly at lit bulb.
4. Keep flammable materials away from lit bulb.

to assemble:

Remove all the parts and hardware from the box along with any plastic protective packaging. Do not discard any contents until after assembly is complete to avoid accidentally discarding small parts or hardware.

1. SHUT OFF THE MAIN ELECTRICAL SUPPLY FROM THE MAIN FUSE BOX/CIRCUIT BREAKER.
2. Attach the Mounting Bracket (B) onto the wall outlet box using Outlet Box Screws (C). Use a screwdriver to tighten each screw until the Mounting Bracket (B) is firmly secured to the outlet box.
3. Carefully inspect the wall sconce fixture wires. The NEUTRAL FIXTURE WIRE is white and/or has FINE LONGITUDINAL RIDGES running along its length. The HOT FIXTURE WIRE is BLACK and/or SMOOTH, and the bare copper wire is the GROUND WIRE. If you have any doubt and cannot identify the power supply wires with confidence, please contact a certified electrician to finish the installation of your fixture.
4. Gently pull existing wires from the junction box and allow the wires to hang. The HOT or LIVE wire is usually black. The NEUTRAL wire is usually white. The GROUND wire is bare copper with green insulation or green with a yellow strip. If needed, use a pair of wire strippers to remove about 1/2 inches of insulation from the end of each wire.

5. Attach the GROUND WIRE from the fixture to the GROUND WIRE from the outlet junction box and secure these with the Wire Connector (A) by twisting the connector in a clockwise direction and wrapping the connection with electrical tape. If your outlet junction box DOES NOT have a GROUND WIRE, be sure to insert the Ground Screw (D) into the Mounting Bracket (B), marked as "GND" facing front, and wrap the fixture bare ground wire around the Ground Screw (D). Tighten the screw to clamp the ground wire between the ground screw head and Mounting Bracket (B). IT IS IMPERATIVE THAT THE JUNCTION BOX IN YOUR HOME BE PROPERLY GROUNDED!
6. Connect the neutral fixture wire to the neutral junction box wire. It usually has white insulation around it. Fasten these together with a plastic Wire Connector (A) and wrap the connection with electrical tape. Make sure that no wire strands are exposed.
7. Connect the hot fixture wire to the hot junction box wire. It usually has black insulation around it. Fasten these together with a plastic Wire Connector (A) and wrap the connection with electrical tape. Make sure that no wire strands are exposed. Do not reverse the hot and neutral connections or safety will be compromised.
8. Gently tuck the wire connections neatly into the wall outlet junction box.
9. Fasten the Back Plate (E) to the Mounting Bracket (B) and over the Outlet Box by using the Mounting Screw (F).
10. Put the Rattan Shade (G) under the socket and put the Fabric Shade (H) under the Rattan Shade (G), and secure these together with the Locking Ring (I).
11. Insert ONE (1) 60-Watt maximum Type A incandescent light bulb (not included), or ONE (1) 13-watt maximum compact fluorescent light bulb (not included), or ONE (1) 9-watt maximum LED light bulb (not included) into the socket. DO NOT EXCEED SPECIFIED WATTAGE. For your convenience ONE (1) 5W LED light bulb is included.
12. Restore the power to junction box and test the fixture.
13. Installation is now completed.

care instructions:

1. Wipe clean with a soft, dry cloth or static duster.
2. Always avoid the use of harsh chemicals or abrasive cleaners as they may cause damage to the finish.

Ancel Table Lamp

ARHAUS®

your home

parts enclosed:

- (A) Finial (1)
- (B) Harp Top (1)
- (C) Harp (1)
- (D) Harp Caps (2)
- (E) Socket (1)
- (F) Saddle (1)
- (G) Lamp Base (1)
- (H) Shade
- (I) Bulb (not included)

(diagram / line drawing)

important safety instructions:

1. We recommend installation by a licensed electrician.
2. To avoid the risk of fire, do not exceed the recommended wattage for this fixture.
3. This fixture has been rated for up to one (1) 150WATT max or smaller 3way Type A or max 18W 3W SBLED Lamp

warnings:

1. Do not remove the lamp from its packaging by pulling on the power cord, as a bad connection may result.
2. To avoid the risk of fire, electrical shock, or personal injury, turn off lamp and allow it to cool prior to replacing light bulb.
3. Do not touch bulb when fixture is turned on or look directly at lit bulb.
4. Keep flammable materials away from lit bulb.

to assemble:

1. Raise the Harp Caps (D) and insert the bottom ends of the Harp (C) into the Saddle (F).
2. Lower the the Harp Caps (D) until they cover the two-pronged Saddle (F).
3. Unscrew the Finial (A) from the Harp Top (B)
4. Place the Shade (H) over the Harp (C) making sure the Harp Top (B) extends through the top ring of the Shade (H).
5. Secure the Shade (H) by turning the Finial (A) onto the Harp Top (B).
6. Insert the specified light bulb into the socket (E). DO NOT EXCEED THE SPECIFIED WATTAGE.

care instructions:

1. Wipe clean with a soft, dry cloth or static duster.
2. Always avoid the use of harsh chemicals or abrasive cleaners as they may cause damage to the fixture's finish.

Ancel Table Lamp

ARHAUS®

your home

parts enclosed:

- (A) Finial (1)
- (B) Harp Top (1)
- (C) Harp (1)
- (D) Harp Caps (2)
- (E) Socket (1)
- (F) Saddle (1)
- (G) Lamp Base (1)
- (H) Shade
- (I) Bulb (not included)

(diagram / line drawing)

important safety instructions:

1. We recommend installation by a licensed electrician.
2. To avoid the risk of fire, do not exceed the recommended wattage for this fixture.
3. This fixture has been rated for up to one (1) 150WATT max or smaller 3way Type A or max 18W 3W SBLED Lamp

warnings:

1. Do not remove the lamp from its packaging by pulling on the power cord, as a bad connection may result.
2. To avoid the risk of fire, electrical shock, or personal injury, turn off lamp and allow it to cool prior to replacing light bulb.
3. Do not touch bulb when fixture is turned on or look directly at lit bulb.
4. Keep flammable materials away from lit bulb.

to assemble:

1. Raise the Harp Caps (D) and insert the bottom ends of the Harp (C) into the Saddle (F).
2. Lower the the Harp Caps (D) until they cover the two-pronged Saddle (F).
3. Unscrew the Finial (A) from the Harp Top (B)
4. Place the Shade (H) over the Harp (C) making sure the Harp Top (B) extends through the top ring of the Shade (H).
5. Secure the Shade (H) by turning the Finial (A) onto the Harp Top (B).
6. Insert the specified light bulb into the socket (E). DO NOT EXCEED THE SPECIFIED WATTAGE.

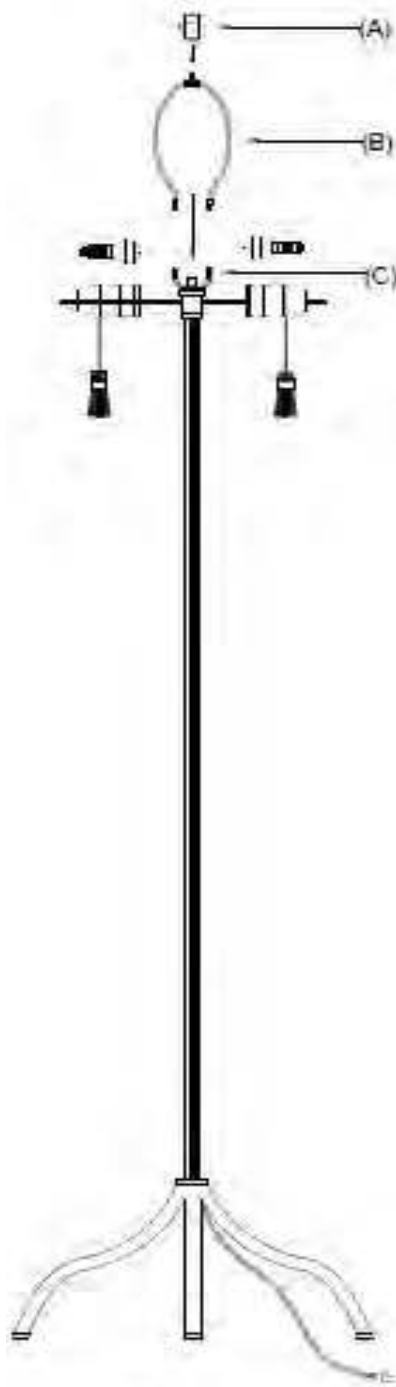
care instructions:

1. Wipe clean with a soft, dry cloth or static duster.
2. Always avoid the use of harsh chemicals or abrasive cleaners as they may cause damage to the fixture's finish.

FERDINAND FLOOR LAMP**Part Enclosed:**

A. FINIAL- 1 Pc.

B. HARP- 1 Pc.

**Important Safety Instructions:**

1. To avoid risk of fire, DO NOT exceed the recommended Wattage for this Fixture.

**UL NO: E492403, UL RATING: DRY, BULB WATTAGE- 150 W
CONVERSION TO MAX 35 W SBCFL OR 28 W SBLED
BULB: 2x TYPE A (NOT INCLUDED)**

Warnings:

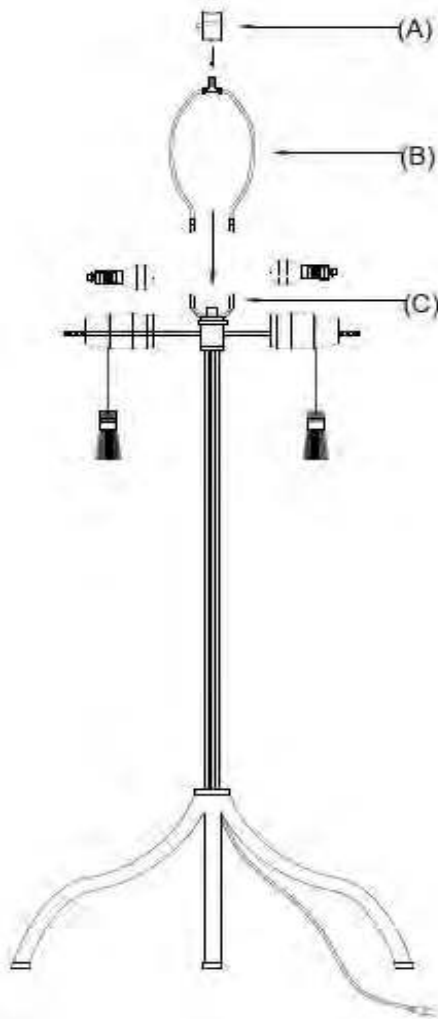
1. DO NOT Remove the lamp from its packaging by pulling on the power cord/ wire, as a bad connection may result.
2. To avoid the risk of fire, electrical shock or personal injury, turn off lamp and allow it to cool prior to replacing light bulb.
3. DO NOT touch bulb when fixture is turned on or look directly at lit bulb.
4. Keep flammable materials away from lit bulb.

To Assemble:

1. Carefully remove all parts from the box and remove all protective coverings.
2. Turn OFF power to the circuit breaker where the lamp will be installed.
3. Attach Harp (B) to the Saddle (C).
4. Unscrew Finial (A) & place Shade on Harp (B) and tighten Finial (A) to harp (B).
5. Restore power to the circuit breaker and test lamp fixture.

Care Instructions:

DO NOT use polishes or Cleaners on your lamp.
Just wipe with soft, lint free cloth.

FERDINAND TABLE LAMP**Part Enclosed:****A. FINIAL- 1 Pc.****B. HARP- 1 Pc.****Important Safety Instructions:**

1. To avoid risk of fire, DO NOT exceed the recommended Wattage for this Fixture.

**UL NO: E492403, UL RATING: DRY, BULB WATTAGE- 150 W
CONVERSION TO MAX 35 W SBCFL OR 28 W SBLED
BULB: 2x TYPE A (NOT INCLUDED)**

Warnings:

1. DO NOT Remove the lamp from its packaging by pulling on the power cord/ wire, as a bad connection may result.
2. To avoid the risk of fire, electrical shock or personal injury, turn off lamp and allow it to cool prior to replacing light bulb.
3. DO NOT touch bulb when fixture is turned on or look directly at lit bulb.
4. Keep flammable materials away from lit bulb.

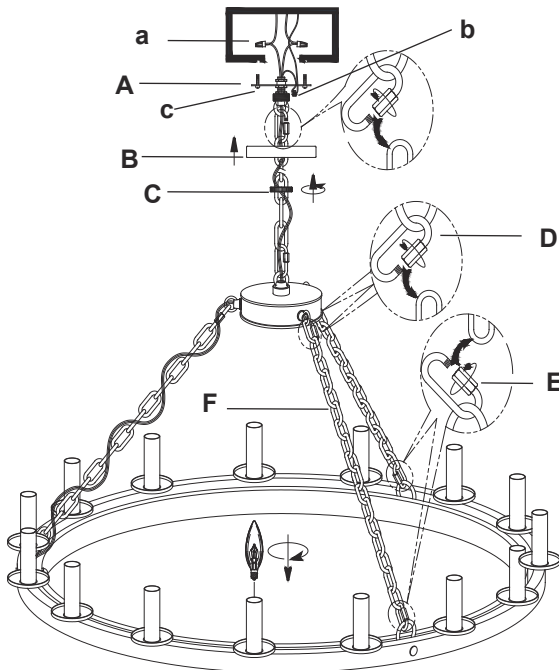
To Assemble:

1. Carefully remove all parts from the box and remove all protective coverings.
2. Turn OFF power to the circuit breaker where the lamp will be installed.
3. Attach Harp (B) to the Saddle (C).
4. Unscrew Finial (A) & place Shade on Harp (B) and tighten Finial (A) to harp (B).
5. Restore power to the circuit breaker and test lamp fixture.

Care Instructions:

DO NOT use polishes or Cleaners on your lamp.
Just wipe with soft, lint free cloth.

ASSEMBLY INSTRUCTIONS



PARTS ENCLOSED:

- (A) Mounting Plate (1)
- (B) Canopy (1)
- (C) Lock Ring (1)
- (D) Upper Chain Link (2)
- (E) Lower Chain Link (2)
- (F) Chain (1)

HARDWARE INCLUDED:

- (a) Plastic Wire Connector (3)
- (b) Green Ground Screw (1)
- (c) Mounting Screw (2)

IMPORTANT SAFETY INSTRUCTIONS:

The following instructions are provided for your safety. It is very important that they are read completely before beginning the installation of your light fixture.

WE RECOMMEND INSTALLATION BY A LICENSED ELECTRICIAN.

This fixture has been rated for up to (15) 25-watt maximum TYPE B bulbs. To avoid the risk of fire, do not exceed the recommended wattage.

WARNINGS:

All wires are connected. When unpacking, be carefully not to pull wires as a bad connection might result. Do not connect electricity until your light fixture is fully assembled.

To reduce the risk of fire, electrical shock, or personal injury, always turn off light fixture and allow it to cool prior to replacing light bulb(s).

This light fixture may contain lead, a chemical known to the State of California to cause cancer, birth defects and other reproductive harm. Wash hands after installing, handling, cleaning or otherwise touching this light fixture.

TO ASSEMBLE:

1. Shut off the main electrical supply from the main fuse box/circuit breaker.
2. Carefully unpack all fixture parts and hardware. Lay items out on a clear workspace.
3. Connect the Chain (F) and the Lower Chain Link (E) and then connect the Chain (F) and the Upper Chain Link (D).
4. Attach the ground wire from the fixture to the ground junction box wire from the outlet box (Usually green or bare wire). Or wrap the fixture's ground wire around Green ground screw (b), and then fix the green ground screw into the Mounting Plate (A).
5. Connect the hot wire to the hot junction box wire (usually black or smooth) with a Plastic Wire Connector (a) and wrap the connection with electrical tape. Connect the neutral wire to the neutral junction box wire (usually white or ribbed) with a Plastic Wire Connector (a) and wrap the connection with electrical tape.
6. Attach the Mounting Plate (A) to the ceiling outlet box using the Mounting Screws (c). Tighten with a screwdriver.
7. Attach the Canopy (B) to the Mounting Plate (A) using the Lock Ring (C) and tighten it.
8. Insert the 25-watt Type B bulb (not included).
9. Restore power to the junction box and test fixture.
10. Assembly is complete.

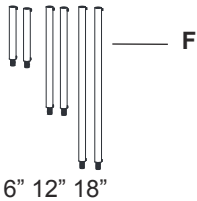
RECOMMENDED CARE

Wipe clean using a soft, dry cloth or static duster.

Always avoid the use of harsh chemicals and abrasives to clean light fixture as they may damage the finish.



ASSEMBLY INSTRUCTIONS



IMPORTANT SAFETY INSTRUCTIONS:

The following instructions are provided for your safety. It is very important that they are read completely before beginning the installation of your light fixture.

WE RECOMMEND INSTALLATION BY A LICENSED ELECTRICIAN.

This fixture has been rated for up to (16) 25-watt maximum TYPE B bulbs. To avoid the risk of fire, do not exceed the recommended wattage.

WARNINGS:

All wires are connected. When unpacking, be carefully not to pull wires as a bad connection might result. Do not connect electricity until your light fixture is fully assembled.

To reduce the risk of fire, electrical shock, or personal injury, always turn off light fixture and allow it to cool prior to replacing light bulb(s).

This light fixture may contain lead, a chemical known to the State of California to cause cancer, birth defects and other reproductive harm. Wash hands after installing, handling, cleaning or otherwise touching this light fixture.

TO ASSEMBLE:

1. Shut off the main electrical supply from the main fuse box/circuit breaker.
2. Carefully unpack all fixture parts and hardware. Lay items out on a clear workspace.
3. Connect the Chain (C) and the Lower Chain Link (E) and then connect the Chain (C) and the Upper Chain Link (D).
4. Insert the Rod (F) onto the Center box (G) and turn clockwise until the Rod (F) screw into the Center box (G).
5. Secure the Rod (F) onto the Threaded pipe (I) and turn clockwise until the Rod (F) screw into the Threaded pipe (I). Secure the Rod (F) by using Allen key (d) provided.
6. Attach the ground wire from the fixture to the ground junction box wire from the outlet box (Usually green or bare wire). Or wrap the fixture's ground wire around Green ground screw (b), and then fix the green ground screw into the Mounting Plate (A).
7. Connect the hot wire to the hot junction box wire (usually black or smooth) with a Plastic Wire Connector (a) and wrap the connection with electrical tape. Connect the neutral wire to the neutral junction box wire (usually white or ribbed) with a Plastic Wire Connector (a) and wrap the connection with electrical tape.
8. Attach the Mounting Plate (A) to the ceiling outlet box using the Mounting Screws (c). Tighten with a screwdriver.
9. Attach the Canopy (B) to the Mounting Plate (A) using the Lock Ring (H) and tighten it.
10. Insert the 25-watt Type B bulb (not included).
11. Restore power to the junction box and test fixture.
12. Assembly is complete.

PARTS ENCLOSED:

- (A) Mounting Plate (1)
- (B) Canopy (1)
- (C) Chain (4)
- (D) Upper Chain Link (4)
- (E) Lower Chain Link (4)
- (F) Rod (6)
- (G) Center Box (1)
- (H) Lock Ring (1)
- (I) Threaded Pipe (1)

HARDWARE INCLUDED:

- (a) Plastic Wire Connector (3)
- (b) Green Ground Screw (1)
- (c) Mounting Screw (2)
- (d) Allen Key (1)

RECOMMENDED CARE

Wipe clean using a soft, dry cloth or static duster.

Always avoid the use of harsh chemicals and abrasives to clean light fixture as they may damage the finish.



This Product is Listed to applicable UL Standard and requirements by UL.

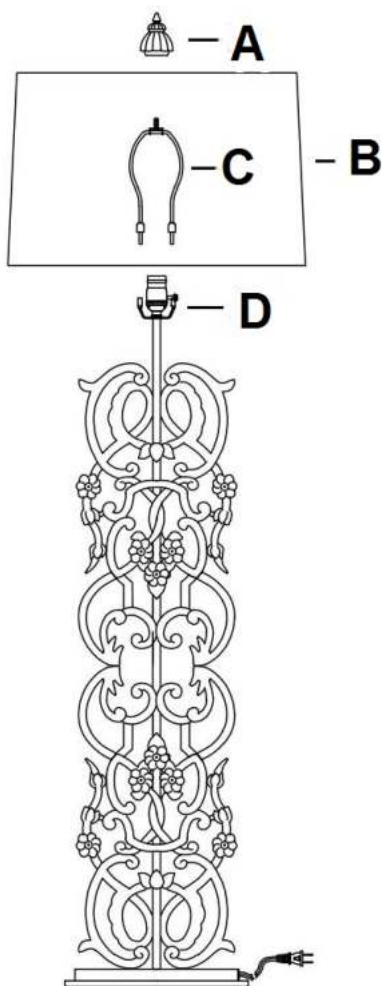
PARTS INVENTORY

Super Category	Product ID	Description	Stat	Collection	Route
LIGHTING	917198H398CH	FERRIS CHANDELIER 12 FT CHAIN 12 FT HANGING CHAIN	A	PT-FERRIS	PART
LIGHTING	917198H398C6	FERRIS CHANDELIER 6 FT CHAIN 6 FT HANGING CHAIN	A	PT-FERRIS	PART
LIGHTING	917198H398SL	FERRIS CHANDELIER CANDLE COVER CANDLE SLEEVE	A	PT-FERRIS	PART
LIGHTING	917198H398CN	FERRIS CHANDELIER CANOPY BLACK IRON CANOPY	A	PT-FERRIS	PART
LIGHTING	917198H398R2	FERRIS RECT CHANDELIER 12" ROD 12" BLACK IRON HANGING ROD	A	PT-FERRIS	PART
LIGHTING	917198H398R8	FERRIS RECT CHANDELIER 18" ROD 18" BLACK IRON HANGING ROD	A	PT-FERRIS	PART

Fielding Charcoal Floor Lamp

parts enclosed:

A	Finial	1
B	Shade	1
C	Harp	1



important safety instructions:

This portable lamp has a polarized plug (one blade is wider than the other) as a safety feature to reduce the risk of electric shock. This plug will fit in a polarized outlet only one way. If the plug does not fit fully in the outlet, reverse the plug. If it still does not fit, contact a qualified electrician. Never use with an extension cord unless plug can be fully inserted. Do not attempt to defeat this safety feature.

warnings:

1. To reduce the risk of fire, electrical shock or personal injury, always turn off and unplug the lamp and allow it to cool prior to replacing bulbs.
2. Do not touch the bulbs when the lamp is turned on. Do not look directly at lit bulbs.
3. Keep flammable materials away from lit bulbs.
4. Remove clear shade cover prior to use.
5. This portable lamp is meant for indoor use, dry locations only.
6. This lamp has been rated for up to one 3-way 150-watt maximum TYPE A standard incandescent light bulb (not included). To avoid the risk of fire, do not exceed the recommended wattage.
7. Save these instructions.

to assemble:

1. Unpack all parts from carton carefully.
2. Insert the Harp (C) into the Saddle (D) and lower the harp caps until they cover the two-pronged Saddle (D).
3. Unscrew the Finial (A) from the harp top. Place the Shade (B) over the assembled Harp (C), making sure the harp top extends through the hole at the top of the Lamp Shade.
4. Attach the Finial (A) onto the harp top and tighten to secure the Lamp Shade (B).
5. Insert one 3-way 150-watt maximum TYPE A standard incandescent light bulb into the socket (not included). **DO NOT EXCEED SPECIFIED WATTAGE.**
6. Remove Protective Plastic from Electrical Plug .
7. Plug the lamp into proper electrical outlet and test this lamp.

care instructions:

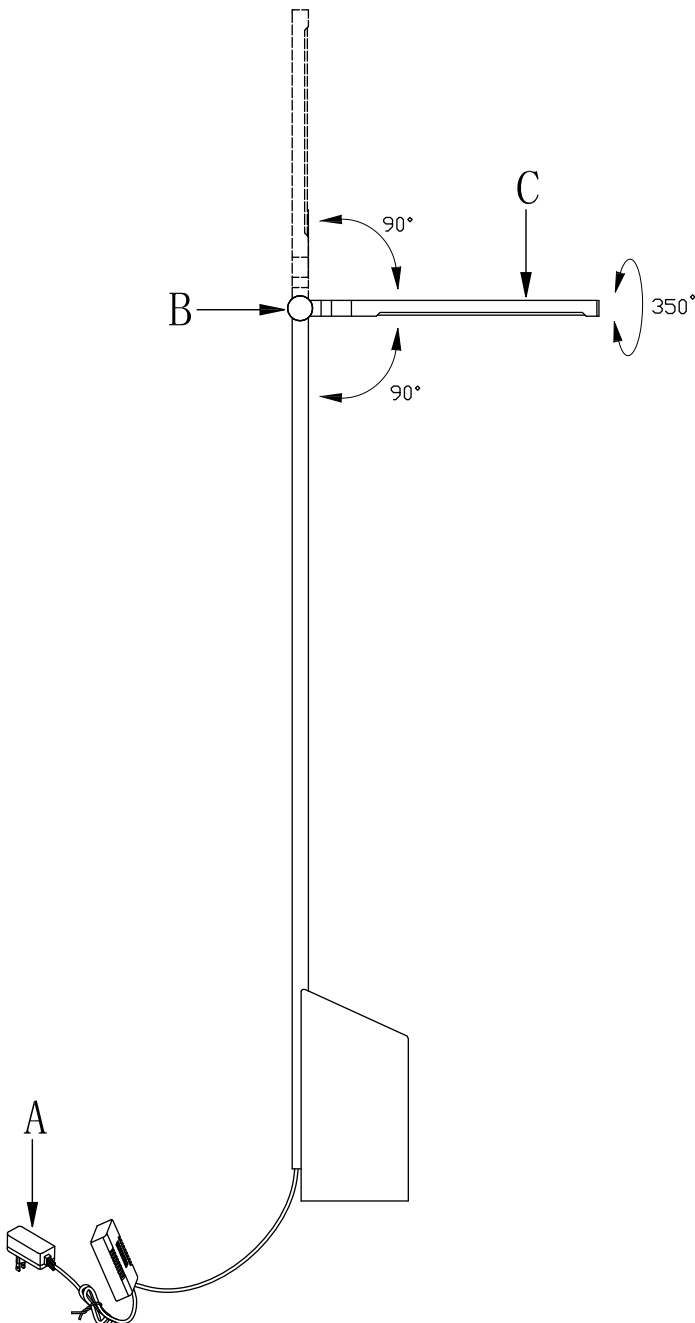
1. Wipe clean with a soft, dry cloth or static duster.
2. Always avoid the use of harsh chemicals or abrasive cleaners as they may cause damage to the lamp's finish.

Parts Inventory

Super Category	Product ID	Description	Stat	Collection	Route
LIGHTING	91594L489F	FIELDING CHARCOAL FLOOR FINIAL CHARCOAL GREY FINIAL	A	PT-FIELDIN	PART
LIGHTING	91594L489H	FIELDING CHARCOAL FLOOR HARP BRASS HARP	A	PT-FIELDIN	PART
LIGHTING	91594L489SH	FIELDING CHARCOAL FLOOR SHADE LINEN SHADE	A	PT-FIELDIN	
LIGHTING	91594L493F	FIELDING CHARCOAL TABLE FINIAL CHARCOAL GREY FINIAL	A	PT-FIELDIN	PART
LIGHTING	91594L493H	FIELDING CHARCOAL TABLE HARP BRASS HARP	A	PT-FIELDIN	PART
LIGHTING	91594L493SH	FIELDING CHARCOAL TABLE SHADE LINEN SHADE	A	PT-FIELDIN	
LIGHTING	91594L384F	FIELDING FLOOR LAMP FINIAL ANTIQUED FINIAL	A	PT-FIELDIN	PART
LIGHTING	91594L384H	FIELDING FLOOR LAMP HARP BRASS HARP	A	PT-FIELDIN	PART
LIGHTING	91594L384SH	FIELDING FLOOR LAMP SHADE LINEN & WHITE SHADE	A	PT-FIELDIN	PART
LIGHTING	91594L491F	FIELDING RUST FLOOR LMP FINIAL ANTIQUE RUST FINIAL	A	PT-FIELDIN	PART
LIGHTING	91594L491H	FIELDING RUST FLOOR LMP HARP BRASS HARP	A	PT-FIELDIN	PART
LIGHTING	91594L491SH	FIELDING RUST FLOOR LMP SHADE LINEN SHADE	A	PT-FIELDIN	PART
LIGHTING	91594L495F	FIELDING RUST TABLE LMP FINIAL ANTIQUE RUST FINIAL	A	PT-FIELDIN	PART
LIGHTING	91594L495H	FIELDING RUST TABLE LMP HARP BRASS HARP	A	PT-FIELDIN	PART
LIGHTING	91594L495SH	FIELDING RUST TABLE LMP SHADE LINEN SHADE	A	PT-FIELDIN	
LIGHTING	91594L355F	FIELDING TABLE LAMP FINIAL ANTIQUED FINIAL	A	PT-FIELDIN	PART
LIGHTING	91594L355H	FIELDING TABLE LAMP HARP BRASS HARP	A	PT-FIELDIN	PART
LIGHTING	91594L355SH	FIELDING TABLE LAMP SHADE LINEN & WHITE SHADE	A	PT-FIELDIN	

parts enclosed:

Fully assembled lamp (1)



important safety instructions:

1. Do not force the lamp arm (C) while joint (B) is tightened, as this may damage the lamp. Adjust the lamp arm (C) by loosening the joint (B) and then retightening it to hold the position.
2. Do not break or pull out LED panel.
3. Do not use outdoors or near water.
4. Do not handle the transformer or lamp with wet hands.
5. Do not look directly at the LEDs.

warnings:

All wires are connected. When unpacking, be careful not to pull wires, as a bad connection may result.

STRANGULATION HAZARD. Keep cord at least 3 feet away from cribs, bassinets and toddler beds. Keep out of reach of children under 3.

Integrated SMD LED (ETL NO. 104411401NYM-001).

to assemble:

1. Rotate joint (B) to the desired angle.
2. Rotate lamp arm (C) to the desired angle. NOTE: Arm can only rotate a maximum of 350 degrees.
3. Insert plug (A) into proper electrical outlet and turn on with foot switch.
4. Assembly is complete.

care instructions:

Wipe with a clean, dry cloth. Do not use polishes or cleaners on your lamp.

parts enclosed:

Fully assembled lamp (1)

important safety instructions:

1. Do not force the lamp arm (D) while joint (C) is tightened, as this may damage the lamp. Adjust the lamp arm (D) by loosening the joint (C) and then retightening it to hold the position.
2. Do not break or pull out LED panel.
3. Do not use outdoors or near water.
4. Do not handle the transformer or lamp with wet hands.
5. Do not look directly at the LEDs.

warnings:

All wires are connected. When unpacking, be careful not to pull wires, as a bad connection may result.

STRANGULATION HAZARD. Keep cord at least 3 feet away from cribs, bassinets and toddler beds. Keep out of reach of children under 3.

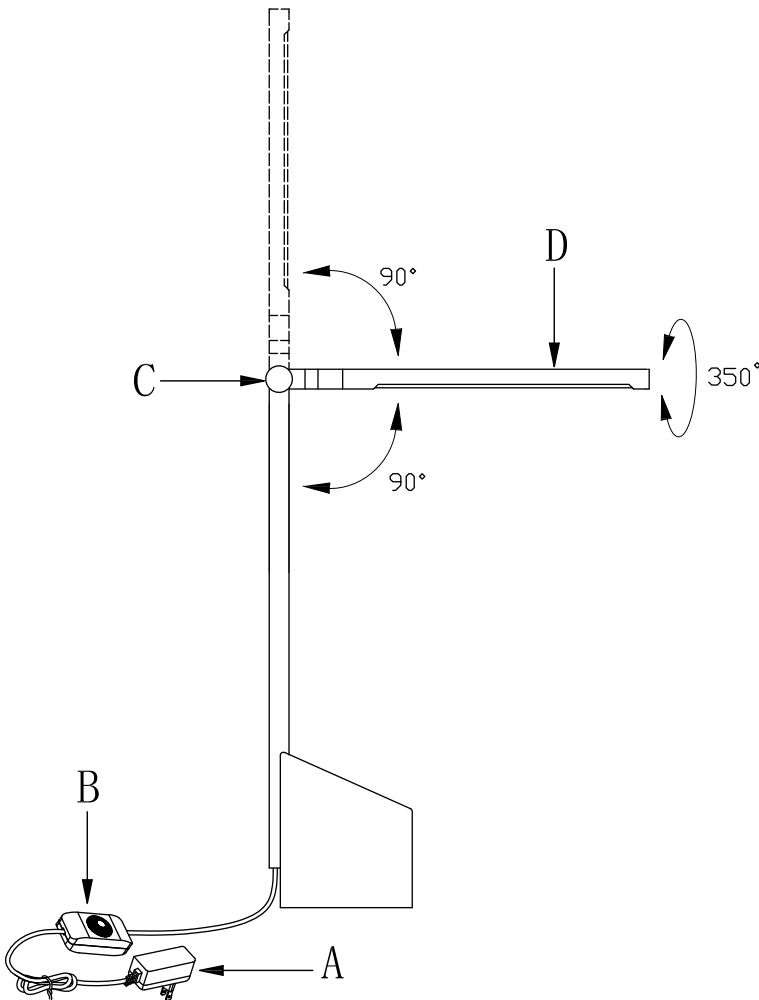
Integrated SMD LED (ETL NO. 104411401NYM-001).

to assemble:

1. Rotate joint (C) to the desired angle.
2. Rotate lamp arm (D) to the desired angle. NOTE: Arm can only rotate a maximum of 350 degrees.
3. Insert plug (A) into proper electrical outlet and turn on with dimmer switch (B).
4. Assembly is complete.

care instructions:

Wipe with a clean, dry cloth. Do not use polishes or cleaners on your lamp.



ASSEMBLY INSTRUCTIONS

IMPORTANT SAFETY INSTRUCTIONS:

The following instructions are provided for your safety. It is very important that they are read completely before beginning the installation of your light fixture.

WE RECOMMEND INSTALLATION BY A LICENSED ELECTRICIAN.

This fixture has been rated for up to (4) 25-watt maximum TYPE T bulbs. To avoid the risk of fire, do not exceed the recommended wattage.

WARNINGS:

All wires are connected. When unpacking, be carefully not to pull wires as a bad connection might result. Do not connected electricity until your light fixture is fully assembled.

To reduce the risk of fire, electrical shock, or personal injury, always turn off light fixture and allow it to cool prior to replacing light bulb(s).

This light fixture may contain lead, a chemical know to the State of California to cause cancer, birth defects and other reproductive harm. Wash hands after installing, handling, cleaning or otherwise touching this light fixture.

TO ASSEMBLE:

1. Shut off the main electrical supply from the main fuse box/circuit breaker.
2. Carefully unpack all fixture parts and hardware. Lay items out on a clear workspace.
3. Connect the Upper rod (D) and the Lower rod (E) through the Ring (G) and then screw the Upper rod (D) to the Loop ring (F).
4. Attach the ground wire from the fixture to the ground junction box wire from the outlet box (Usually green or bare wire). Or wrap the fixture's ground wire around Green ground screw (b), and then fix the green ground screw into the Mounting Plate (A).
5. Connect the hot wire to the hot junction box wire (usually black or smooth) with a Plastic Wire Connector (a) and wrap the connection with electrical tape. Connect the neutral wire to the neutral junction box wire (usually white or ribbed) with a Plastic Wire Connector (a) and wrap the connection with electrical tape.
6. Attach the Mounting Plate (A) to the ceiling outlet box using the Mounting Screws (c). Tighten with a screwdriver.
7. Attach the Canopy (B) to the Mounting Plate (A) using the Lock Ring (C) and tighten it.
8. Insert the 25-watt Type T bulb (not included).
9. Hook one end of the Long Rope (H) in the small loop on the Ring (G). Then hook another end on the Top plate (J). Repeat this on the remaining 7 Long Ropes (H).
10. Hook one end of the Short Rope (I) on the Bottom Plate (K). Then hook another end in the small loop of the Ring (G). Repeat this on the remaining 7 Short Ropes (I).
11. Restore power to the junction box and test fixture.
12. Assembly is complete.

PARTS ENCLOSED:

- (A) Mounting Plate (1)
- (B) Canopy (1)
- (C) Lock Ring (1)
- (D) Upper Rod (1)
- (E) Lower Rod (1)
- (F) Loop Ring (1)
- (G) Ring (1)
- (H) Long Rope (8)
- (I) Short Rope (8)
- (J) Top Plate (1)
- (K) Bottom Plate (1)

HARDWARE INCLUDED:

- (a) Plastic Wire Connector (3)
- (b) Green Ground Screw (1)
- (c) Mounting Screw (2)

RECOMMENDED CARE

Wipe clean using a soft, dry cloth or static duster.

Always avoid the use of harsh chemicals and abrasives to clean light fixture as they may damage the finish.



This Product is Listed to applicable UL Standard and requirements by UL.

FOTINI 1 LT CHANDELIER #65636H0151

ARHAUS®

your home

parts enclosed:

- (D) wire nuts (3)
- (E) cross bar set (1)
- (F) cross bar screws (2)
- (I) canopy (1)

important safety instructions:

1. We recommend installation by a licensed electrician.
2. To avoid the risk of fire, do not exceed the recommended wattage for this fixture.

wattage: 1x 40W
type of socket: E12

warnings:

1. Do not remove the lamp from its packaging by pulling on the power cord, as a bad connection may result.
2. To avoid the risk of fire, electrical shock, or personal injury, turn off lamp and allow it to cool prior to replacing light bulb.
3. Do not touch bulb when fixture is turned on or look directly at lit bulb.
4. Keep flammable materials away from lit bulb.

to assemble:

- Attach cross bar (E) to the ceiling junction box using the cross bar screws (F).
- Unscrew the collar ring (J).
- Insert the collar loop (H) into the canopy (I).
- Screw the collar ring (J) back.
- Attach the chandelier chain (L) to the collar loop (H) with the quick link (K).

See back of the page for wiring connection details.

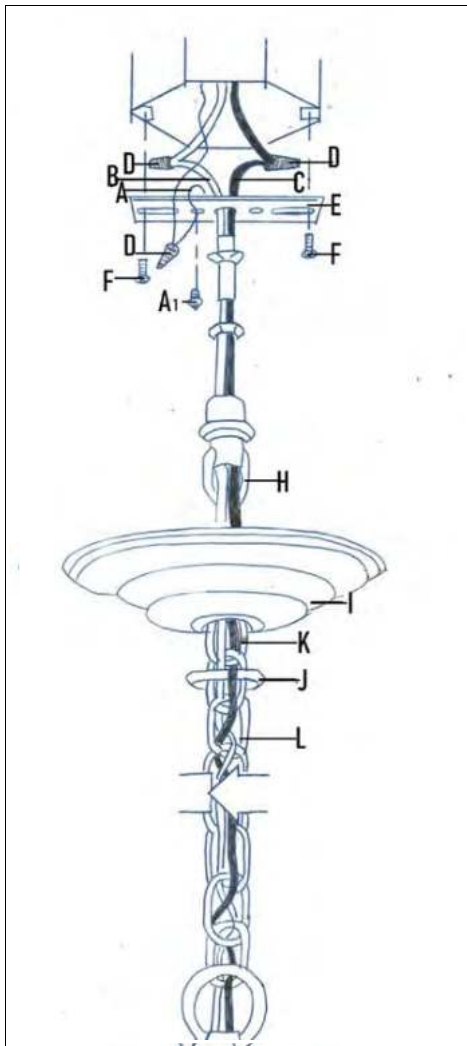
replacement parts assembly:

- To replace glass dop (O) (P) and chain of 10 octagons (N), insert wire clip into the hole on the iron frame, twist the wire to close the loop and secure it in place.



care instructions:

Clean with dry soft cloth/brush only.
Do not use water/alcohol or any detergent.



INSTALLATION INSTRUCTIONS

INCANDESCENT SURFACE MOUNTED LUMINAIRES:

CAUTION

- A PERSON FAMILIAR WITH THE CONSTRUCTION AND OPERATION OF THE PRODUCT MUST INSTALL THIS PRODUCT IN ACCORDANCE WITH THE APPLICABLE INSTALLATION CODE AND THE HAZARDS INVOLVED.

WARNING

- The electricity MUST be turned off at the MAIN FUSE BOX before installation of this luminaire; turning the power off using the light switch is not sufficient to prevent electrical shock.
- Luminaires weighing 50 lbs (25 lbs for surface wall) or more must be mounted directly to the building structure, independently of the electrical box; this installation should not be made on a radiant heat type ceiling.

- If a chain-and-canopy luminaire is provided of an individual grounding conductor (bare or insulated), this shall be interwoven through the chain from the luminaire to the canopy.
- If chain-and-canopy luminaire is provided of a SPT-1 power supply cord type, this shall interwoven through the chain from the luminaire to the canopy.
- The luminaires are not intended to support external weight other than provided glasses.

- WIRE CONNECTION CHART:

Connect Black or Red (Hot) House Wire to:	Connect White (Neutral) House Wire to:
Black (Hot)	White (Neutral)
Parallel cord (round and smooth)	Parallel cord (square or ridged)
Clear, Brown, Gold or Black without tracer	Clear, Brown, Gold or Black with tracer
Insulated wire (other than green) with copper conductor	Insulated wire (other than green) with silver conductor

- ELECTRICAL CONNECTION:

- 1 Attach grounding wire (green insulated or bare copper) from the supply circuit to the mounting bracket with the green ground attachment screw. Connect the grounding wire of the luminaire to the grounding conductor of the supply circuit. Attach all grounding conductors to the mounting bracket with the green ground wire attachment screw.

- 2 Referring to the Wire Connection Chart, connect the black and white wires.

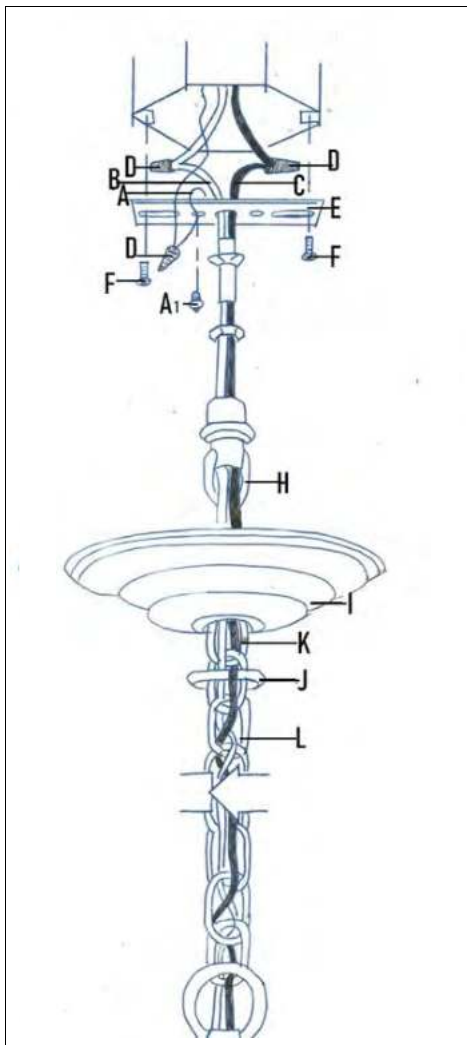
CAUTION

No loose strands or loose connections should be present. Secure with U.L. certified wire connectors and electrical tape.

- FINAL INSTRUCTION:

- 1 Install light bulbs, refer to the relamping label located near the lampholder for recommended wattage. DO NOT EXCEED THE RECOMMENDED WATTAGE.
- 2 Restore electricity and check the operation of the luminaire.

In case of change of the article, not previously authorized, the UL Certification will be terminated immediately



NOTICE DE MONTAGE PLAFONNIERES INCANDESCENTES

ATTENTION

- Le montage doit être effectué par personnes compétentes selon le code d'installation en vigueur et les risques impliqués.
- La sûreté de l'installation est soumise au correct usage des instructions suivantes

AVERTISSEMENT

- Avant d'effectuer chaque opération, couper le courant à la boîte du fusible principale. La mise hors tension grâce à l'interrupteur n'est pas suffisante pour prévenir les chocs électriques.
- Luminaires qui sont lourds 50 Lbs. Ou plus (25 Lbs. Pour appareil mur) doivent être montés directement à la structure du bâtiment, de façon indépendante de la boîte électrique; cette installation ne doit pas être fait sur un plafond avec systèmes de chauffages radiants
- Dans le cas du luminaire avec chaîne et pavillon, il faut passé les câbles a travers les maillons de la chaîne, soit s'il est équipé avec un câble conducteur de mise à la terre individuelle (nu ou isolé), soit s'il est équipé avec un câble d'alimentation SPT-1.
- Les appareils ne devraient pas porte plus de poids que celle prévue pour les verres décoratif

• TABLE CONNEXION CABLES:

Connecter le fil de la maison NOIR ou ROUGE (phase) avec:	Connecter le fil de la maison BLANC (neutre) avec:
Noir (Phase)	Blanc (neutre)
Fil parallèle (ronde et lisse)	Fil parallèle (carré ou striée)
Clair, Marron, Or ou Noir SANS traceur	Clair, Marron, or ou Noir AVEC traceur
Fil isolé (autre que Vert) avec conducteur Cuivre	Fil isolé (autre que Vert) avec conducteur Argent

• CONNEXIONS ÉLECTRIQUES

1. Fixez le fil de terre (vert isolé ou cuivre nu) du circuit d'alimentation au support de montage par la vis vert de fixation de terre fourni.
2. Connectez le fil de mise à la terre du luminaire au conducteur de mise à la terre du circuit d'alimentation. Fixez tous les conducteurs de terre au support de montage avec la vis vert de fixation.
3. Connectez les fils noir et blanc en référant à la table connexion câbles

ATTENTION

Fil libre ou des connexions desserrées ne doivent pas être présents. Fixer avec des connecteurs de fils certifié UL et du ruban électrique.

• INSTALLATION FINALE

1. Installer des ampoules de puissance recommandée, reportez-vous à l'étiquette de remplacement de la lampe situé en proximité de la douille.
2. Ne pas dépasser la puissance recommandée

AVERTISSEMENT

Instructions supplémentaires

Pour la fixation, utiliser les vis fournies et vérifier que le pavillon couvre complètement la boîte de sortie.

En cas de changement d'article, pas autorisé précédemment, la certification UL se terminera immédiatement.

FOTINI 1LT WALL SCONCE

#65636H0303

ARHAUS®

your home

parts enclosed:

- (B) Cross bar screws (2)
- (H) wire nuts (3)

important safety instructions:

1. We recommend installation by a licensed electrician.
2. To avoid the risk of fire, do not exceed the recommended wattage for this fixture.
wattage: 1 x 40 w
type of socket: E12

warnings:

1. Do not remove the lamp from its packaging by pulling on the power cord, as a bad connection may result.
2. To avoid the risk of fire, electrical shock, or personal injury, turn off lamp and allow it to cool prior to replacing light bulb.
3. Do not touch bulb when fixture is turned on or look directly at lit bulb.
4. Keep flammable materials away from lit bulb.

to assemble:

- Disassemble metal box cover(C) and cross bar(A) from back of the sconce.
- Attach the cross bar(A) to the electrical box using the cross bar screws (B).
- Attach the metal box cover (C) to the cross bar (A) using the metal box cover screws (D).
- Attach the box of the sconce (E) to the metal box cover (C) using the screws (F).

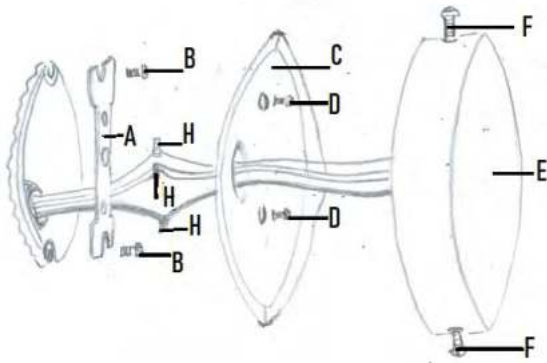
See back of the page for wiring connection details.

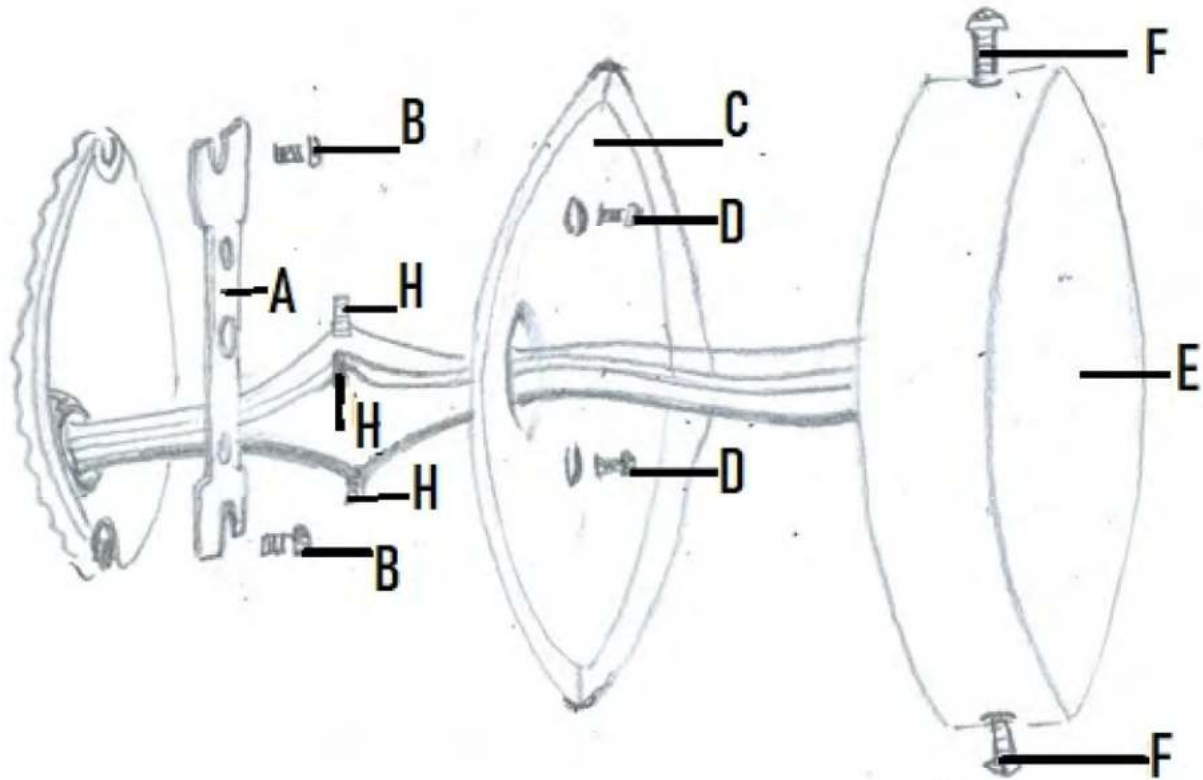
replacement parts assembly:

- To replace the glass drops (I) and octagon glass chain (L) insert wire clip into the hole on the iron frame, twist the wire to close the loop and secure it in place

care instructions:

Clean with dry soft cloth/brush only.
Do not use water/alcohol or any detergent.





INSTALLATION INSTRUCTIONS

INCANDESCENT SURFACE MOUNTED LUMINAIRES:

CAUTION

- A PERSON FAMILIAR WITH THE CONSTRUCTION AND OPERATION OF THE PRODUCT MUST INSTALL THIS PRODUCT IN ACCORDANCE WITH THE APPLICABLE INSTALLATION CODE AND THE HAZARDS INVOLVED.

WARNING

- The electricity MUST be turned off at the MAIN FUSE BOX before installation of this luminaire; turning the power off using the light switch is not sufficient to prevent electrical shock.
- Luminaires weighing 50 lbs (25 lbs for surface wall) or more must be mounted directly to the building structure, independently of the electrical box; this installation should not be made on a radiant heat type ceiling.

- If a chain-and-canopy luminaire is provided of an individual grounding conductor (bare or insulated), this shall be interwoven through the chain from the luminaire to the canopy.
- If chain-and-canopy luminaire is provided of a SPT-1 power supply cord type, this shall interwoven through the chain from the luminaire to the canopy.
- The luminaire are not intended to support external weight other than provided glasses.

- WIRE CONNECTION CHART:

Connect Black or Red (Hot) House Wire to:	Connect White (Neutral) House Wire to:
Black (Hot)	White (Neutral)
Parallel cord (round and smooth)	Parallel cord (square or ridged)
Clear, Brown, Gold or Black without tracer	Clear, Brown, Gold or Black with tracer
Insulated wire (other than green) with copper conductor	Insulated wire (other than green) with silver conductor

- ELECTRICAL CONNECTION:

- 1 Attach grounding wire (green insulated or bare copper) from the supply circuit to the mounting bracket with the green ground attachment screw provided. Connect the grounding wire of the luminaire to the grounding conductor of the supply circuit. Attach all grounding conductors to the mounting bracket with the green ground wire attachment screw.
- 2 Referring to the Wire Connection Chart, connect the black and white wires.

CAUTION

No loose strands or loose connections should be present. Secure with U.L. certified wire connectors and electrical tape.

- FINAL INSTRUCTION:

- 1 Install light bulbs; refer to the relamping label located near the lampholder for recommended wattage. DO NOT EXCEED THE RECOMMENDED WATTAGE.
- 2 Restore electricity and check the operation of the luminaire.

In case of change of the article, not previously authorized, the UL Certification will be terminated immediately

NOTICE DE MONTAGE PLAFONNIERES INCANDESCENTS ATTENTION

- Le montage doit être effectué par personnes compétentes selon le code d'installation en vigueur et les risques impliqués.
- La sûreté de l'installation est soumise au correct usage des instructions suivantes

AVERTISSEMENT

- Avant d'effectuer chaque opération, couper le courant à la boîte du fusible principale. La mise hors tension grâce à l'interrupteur n'est pas suffisante pour prévenir les chocs électriques.
- Luminaires qui sont lourds 50 Lbs. Ou plus (25 Lbs. Pour appareil mur) doivent être montés directement à la structure du bâtiment, de façon indépendante de la boîte électrique; cette installation ne doit pas être fait sur un plafond avec systèmes de chauffages radiants
- Dans le cas du luminaire avec chaîne et pavillon, il faut passé les câbles a travers les maillons de la chaîne, soit s'il est équipé avec un câble conducteur de mise à la terre individuelle (nu ou isolé), soit s'il est équipé avec un câble d'alimentation SPT-1.
- Les appareils ne devraient pas porte plus de poids que celle prévue pour les verres décoratif

• TABLE CONNEXION CABLES:

Connecter le fil de la maison NOIR ou ROUGE (phase) avec:	Connecter le fil de la maison BLANC (neutre) avec:
Noir (Phase)	Blanc (neutre)
Fil parallèle (ronde et lisse)	Fil parallèle (carré ou striée)
Clair, Marron, Or ou Noir SANS traceur	Clair, Marron, or ou Noir AVEC traceur
Fil isolé (autre que Vert) avec conducteur Cuivre	Fil isolé (autre que Vert) avec conducteur Argent

• CONNEXIONS ÉLECTRIQUES

1. Fixez le fil de terre (vert isolé ou cuivre nu) du circuit d'alimentation au support de montage par la vis vert de fixation de terre fourni.
2. Connectez le fil de mise à la terre du luminaire au conducteur de mise à la terre du circuit d'alimentation. Fixez tous les conducteurs de terre au support de montage avec la vis vert de fixation.
3. Connectez les fils noir et blanc en référant à la table connexion câbles

ATTENTION

Fil libre ou des connexions desserrées ne doivent pas être présents. Fixer avec des connecteurs de fils certifié UL et du ruban électrique.

• INSTALLATION FINALE

1. Installer des ampoules de puissance recommandée, reportez-vous à l'étiquette de remplacement de la lampe situé en proximité de la douille.
2. Ne pas dépasser la puissance recommandée

AVERTISSEMENT

Instructions supplémentaires







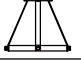




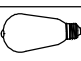
Pour la fixation, utiliser les vis fournies et vérifier que le pavillon couvre complètement la boîte de sortie.

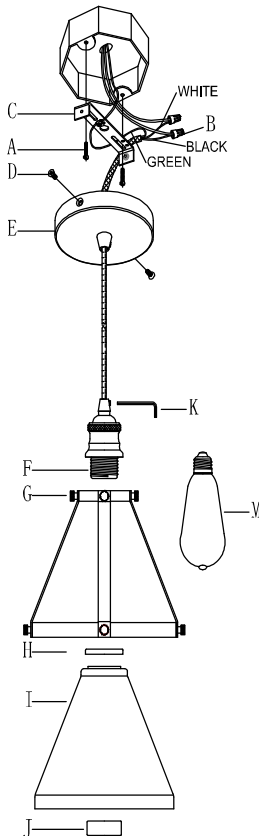
En cas de changement d'article, pas autorisé précédemment, la certification UL se terminera immédiatement.

PARTS INVENTORY

Super Category	Product ID	Description	Stat	Collection	Route
LIGHTING	91636H151CH	FOTINI CHAND 12 FT CHAIN 3 MM X 3.7 MT SILVER CLAY CHAIN	A	PT-FOTINI	PART
LIGHTING	91636H151CH6	FOTINI CHAND 6 FT CHAIN 3 MM X 1.8 MT SILVER CLY CHAIN	A	PT-FOTINI	PART
LIGHTING	91636H151CN	FOTINI CHAND CANOPY SILVER CLAY CANOPY W/ HARDWARE	A	PT-FOTINI	PART
LIGHTING	91636H151CRC	FOTINI CHAND CRYSTAL STRAND STRAND OF 10 CRYSTALS W/ GOLD	A	PT-FOTINI	PART
LIGHTING	91636H151CRL	FOTINI CHAND LG CRYSTAL 50 MM CRYSTAL W/ GOLD WIRE	A	PT-FOTINI	PART
LIGHTING	91636H151CRS	FOTINI CHAND SM CRYSTAL 38 MM CRYSTAL W/ GOLD WIRE	A	PT-FOTINI	PART
LIGHTING	91636H343CH	FOTINI LG 12 FT CHAIN 4 MM X 3.7 MT SILVER CLY CHAIN	A	PT-FOTINI	PART
LIGHTING	91636H343CH6	FOTINI LG 6 FT CHAIN 4 MM X 1.8 MT SILVER CLY CHAIN	A	PT-FOTINI	PART
LIGHTING	91636H343CN	FOTINI LG CHAND CANOPY SILVER CLAY CANOPY W/ HARDWARE	A	PT-FOTINI	PART
LIGHTING	91636H343CR	FOTINI LG CHAND CRYSTAL 50 MM CRYSTAL W/ SILVER WIRE	A	PT-FOTINI	PART
LIGHTING	91636H343CRC	FOTINI LG CHAND CRYSTAL STRAND STRAND OF 17 CRYSTAS W/ SILVER	A	PT-FOTINI	PART
LIGHTING	91636H303CR	FOTINI SCONCE CRYSTAL 38 MM CRYSTAL W/ GOLD WIRE	A	PT-FOTINI	PART
LIGHTING	91636H303CRC	FOTINI SCONCE CRYSTAL STRAND STRAND OF 10 CRYSTALS W/ GOLD	A	PT-FOTINI	PART
LIGHTING	91636H249CN	SMALL CROWN CHAND CANOPY SILVER CLAY CANOPY W/ HARDWARE	D	PT-FOTINI	PART

parts enclosed:

ITEM	DIAGRAM	DESCRIPTION	QTY
(A)		Mounting screw	2
(B)		Wire connector	3
(C)		Mounting plate & green ground	1
(D)		Steel screw	2
(E)		Canopy	1
(F)		Socket	1
(G)		Fixture shade	1
(H)		Shade cap	1
(I)		Shade	1
(J)		Socket ring	1
(K)		Tool	1
(M)		Bulb (Not included)	1



important safety instructions:

1. We recommend installation by a licensed electrician.
2. To avoid the risk of fire, do not exceed the recommended wattage for this fixture.

warnings:

1. Do not remove the lamp from its packaging by pulling on the power cord, as a bad connection may result.
2. To avoid the risk of fire, electrical shock, or personal injury, turn off lamp and allow it to cool prior to replacing light bulb.
3. Do not touch bulb when fixture is turned on or look directly at lit bulb.
4. Keep flammable materials away from lit bulb.

to assemble:



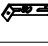





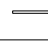
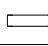

1. Carefully remove all parts from the box and remove all protective coverings.
2. Turn OFF power to the junction box where the lamp will be installed.
3. Install Mounting plate (C) to the Junction box with Mounting screws (A).
4. Pull the ground wire from ceiling outlet box, and attach ground wire (usually green or bare wire) from ceiling box to ground wire on Mounting Plate (C) with a screw.
5. Attach positive wire from ceiling (usually black or smooth) to positive wire on fixture with a Wire Connector (B) and wrap this connector with electrical tape.
6. Attach neutral wire from ceiling box (usually white or ribbed) with neutral wire on the fixture with a Wire Connector (B), and wrap this connector with electrical tape.
7. Install Canopy (E) with Mounting plate (C) by use Steel screws (D).
8. Lock Socket ring (J), Fixture shade (G), Shade cap (H), Shade (I) onto Socket (F).
9. Insert the light bulbs (M).
10. Restore power to the junction box and test ceiling light fixture.
11. The height can be adjusted by using Tool (K).

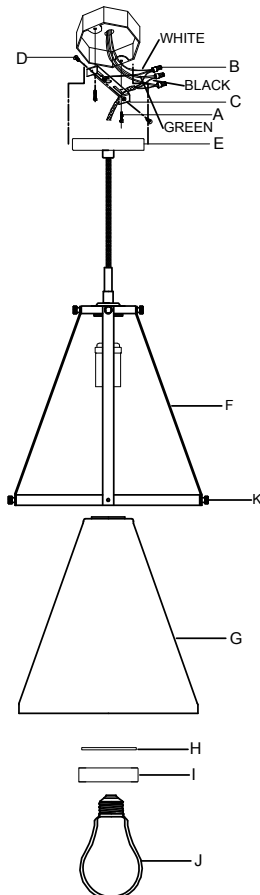
care instructions:

Do not use polishes or cleaners on your pendant.

WIPE WITH A CLEAN SOFT CLOTH

parts enclosed:

ITEM	DIAGRAM	DESCRIPTION	QTY
(A)		Mounting Screws	2
(B)		Wire connectors	3
(C)		Mounting plate & green ground screw	1
(D)		Steel Screw	2
(E)		CANOPY	1
(F)		Fixture Frame	1
(G)		Glass Shade	1
(H)		Rubber Pad	1
(I)		Socket Ring	1
(J)		Bulb (Not Included)	1
(K)		Knurled Screw	2



important safety instructions:

CONSULT A QUALIFIED ELECTRICIAN TO ENSURE CORRECT BRANCH CIRCUIT CONDUCTOR.

1. We recommend installation by a licensed electrician.
2. To avoid the risk of fire, do not exceed the recommended wattage for this fixture.

warnings:

1. Do not remove the fixture from packaging by pulling on the wires as a bad connection may result.
2. To avoid the risk of fire, electrical shock, or personal injury, always turn off fixture and allow it to cool prior to replacing the lightbulb.
3. Do not touch bulb when fixture is turned on or look directly at lit bulb. Keep flammable materials away from lit bulb.












to assemble:

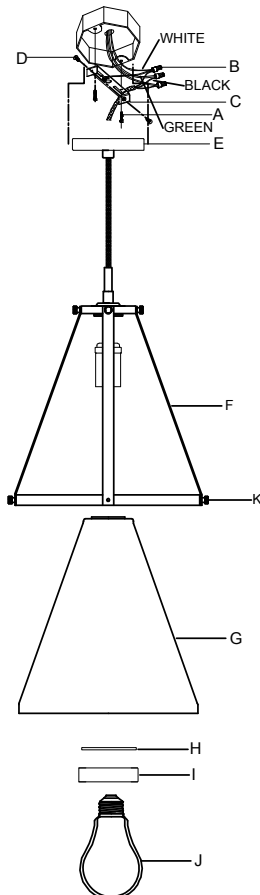
1. Shut off power at the outlet box where the fixture will be installed.
2. Carefully remove all parts from the box and remove all plastic coverings. Take care not to lose any small parts
3. Attach Mounting plate (C) to the outlet box with Mounting screws (A), tighten with a screwdriver. Ensure the side of the Mounting Plate (C) marked "GND" is facing out.
4. While holding the fixture, connect the black wire from fixture to the hot wire (usually black or smooth) from the outlet box using a wire connector (B). Connect the white wire from fixture to the neutral wire (usually white or ribbed) from the outlet box using a wire connector (B). DO NOT REVERSE THE HOT AND NEUTRAL WIRE CONNECTIONS; OTHERWISE, SAFETY WILL BE COMPROMISED.
5. If the outlet box has a ground wire (green or bare copper), connect the green ground wire from the fixture to it using a wire connector (B). If the outlet box does not have a ground wire, connect the green ground wire from the fixture to the green ground screw provided on the Mounting Plate (C).
6. Tuck these wire connections neatly into the outlet box, place Canopy (E) over the Mounting Plate (C), and secure the canopy with Steel Screws (D).
7. Put Glass Shade (G) into Fixture Frame (F), put Rubber Pad (H) over the socket, and secure Glass Shade (G) with Socket Ring (I).
8. Insert the proper light bulb (J) in accordance with the fixture's specifications (DO NOT EXCEED THE SPECIFIED WATTAGE RATING).
9. Installation is completed. Turn on the power at the circuit breaker or fuse box.
10. Turn the light switch to activate the fixture.

care instructions:

Wipe all surface with a soft, dry cloth. Do not use any harsh cleaners (including ammonia-based products) or abrasives on the fixture.

parts enclosed:

ITEM	DIAGRAM	DESCRIPTION	QTY
(A)		Mounting Screws	2
(B)		Wire connectors	3
(C)		Mounting plate & green ground screw	1
(D)		Steel Screw	2
(E)		CANOPY	1
(F)		Fixture Frame	1
(G)		Glass Shade	1
(H)		Rubber Pad	1
(I)		Socket Ring	1
(J)		Bulb (Not Included)	1
(K)		Knurled Screw	2



important safety instructions:

CONSULT A QUALIFIED ELECTRICIAN TO ENSURE CORRECT BRANCH CIRCUIT CONDUCTOR.

1. We recommend installation by a licensed electrician.
2. To avoid the risk of fire, do not exceed the recommended wattage for this fixture.

warnings:

1. Do not remove the fixture from packaging by pulling on the wires as a bad connection may result.
2. To avoid the risk of fire, electrical shock, or personal injury, always turn off fixture and allow it to cool prior to replacing the lightbulb.
3. Do not touch bulb when fixture is turned on or look directly at lit bulb. Keep flammable materials away from lit bulb.

to assemble:

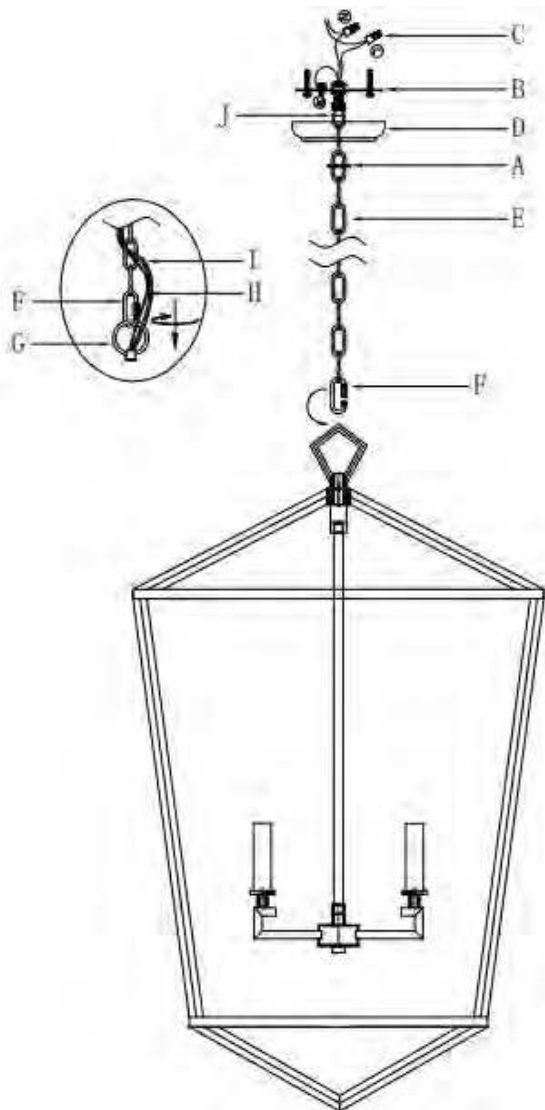
1. Shut off power at the outlet box where the fixture will be installed.
2. Carefully remove all parts from the box and remove all plastic coverings. Take care not to lose any small parts
3. Attach Mounting plate (C) to the outlet box with Mounting screws (A), tighten with a screwdriver. Ensure the side of the Mounting Plate (C) marked "GND" is facing out.
4. While holding the fixture, connect the black wire from fixture to the hot wire (usually black or smooth) from the outlet box using a wire connector (B). Connect the white wire from fixture to the neutral wire (usually white or ribbed) from the outlet box using a wire connector (B). DO NOT REVERSE THE HOT AND NEUTRAL WIRE CONNECTIONS; OTHERWISE, SAFETY WILL BE COMPROMISED.
5. If the outlet box has a ground wire (green or bare copper), connect the green ground wire from the fixture to it using a wire connector (B). If the outlet box does not have a ground wire, connect the green ground wire from the fixture to the green ground screw provided on the Mounting Plate (C).
6. Tuck these wire connections neatly into the outlet box, place Canopy (E) over the Mounting Plate (C), and secure the canopy with Steel Screws (D).
7. Put Glass Shade (G) into Fixture Frame (F), put Rubber Pad (H) over the socket, and secure Glass Shade (G) with Socket Ring (I).
8. Insert the proper light bulb (J) in accordance with the fixture's specifications (DO NOT EXCEED THE SPECIFIED WATTAGE RATING).
9. Installation is completed. Turn on the power at the circuit breaker or fuse box.
10. Turn the light switch to activate the fixture.

care instructions:

Wipe all surface with a soft, dry cloth. Do not use any harsh cleaners (including ammonia-based products) or abrasives on the fixture.

parts enclosed:

Part	Description	Qty.
A	lock collar	1
B	mounting Bracket	1
C	nipples	3
D	canopy	1
E	chain	1
F	open ring	1
G	loop	1
H	cable	1
I	naked earth cable	1
J	ceiling loop	1



important safety instructions:

1. We recommend installation by a licensed electrician.
2. To avoid the risk of fire, do not exceed the recommended wattage for this fixture.

warnings:

1. Do not remove the lamp from its packaging by pulling on the power cord, as a bad connection may result.
2. To avoid the risk of fire, electrical shock, or personal injury, turn off lamp and allow it to cool prior to replacing light bulb.
3. Do not touch bulb when fixture is turned on or look directly at lit bulb.
4. Keep flammable materials away from lit bulb.

to assemble:

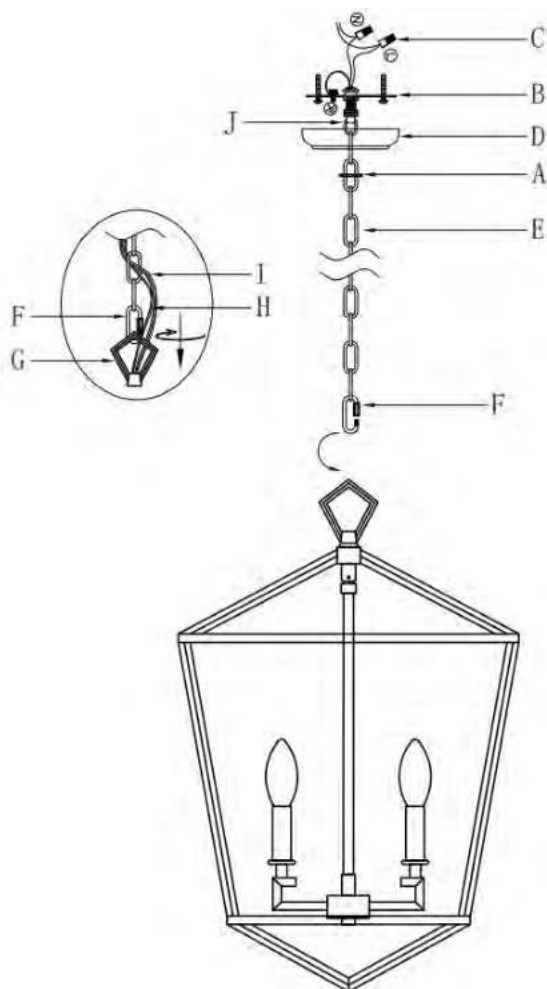
1. Carefully remove all parts from the box.
2. Remove the mounting bracket (B) from the canopy (D) by loosening the lock collar (A).
3. Taking off the open ring (F) and use the dimensions of the fixture as a guide, shorten the chain (E) as needed using a pair of chain pliers.
4. Use the open ring (F) to link the chain (E) and the loop (G), then put the cable (H) and the naked earth cable (I) through the chain (E) in every 3-4 rings until through the ceiling loop (J).
5. INSURE THE ELECTRICITY SUPPLY IS TURNED OFF.
6. Affix the mounting bracket (B) on the outlet box.
7. Wrap both safety cable with nipples (C), push the cable into the outlet box.
8. Attach the canopy (D) to the mounting bracket (B) and secure with lock collar (A).
9. Install the bulbs on the sockets.
10. Installation is complete, turn on power at fuse or circuit breaker.

care instructions:

Clean with a dry, soft cloth only. Use no harsh abrasives or chemical agents.

parts enclosed:

Part	Description	Qty.
A	lock collar	1
B	mounting Bracket	1
C	nipples	3
D	canopy	1
E	chain	1
F	open ring	1
G	loop	1
H	cable	1
I	naked earth cable	1
J	ceiling loop	1



important safety instructions:

1. We recommend installation by a licensed electrician.
2. To avoid the risk of fire, do not exceed the recommended wattage for this fixture.

warnings:

1. Do not remove the lamp from its packaging by pulling on the power cord, as a bad connection may result.
2. To avoid the risk of fire, electrical shock, or personal injury, turn off lamp and allow it to cool prior to replacing light bulb.
3. Do not touch bulb when fixture is turned on or look directly at lit bulb.
4. Keep flammable materials away from lit bulb.

to assemble:

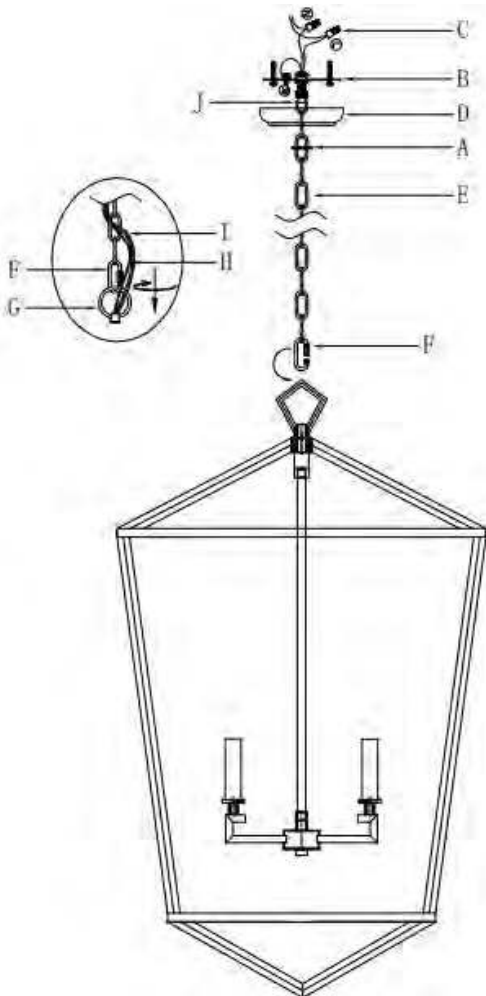
1. Carefully remove all parts from the box.
2. Remove the mounting bracket (B) from the canopy (D) by loosening the lock collar (A).
3. Taking off the open ring (F) and use the dimensions of the fixture as a guide, shorten the chain (E) as needed using a pair of chain pliers.
4. Use the open ring (F) to link the chain (E) and the loop (G), then put the cable (H) and the naked earth cable (I) through the chain (E) in every 3-4 rings until through the ceiling loop (J).
5. INSURE THE ELECTRICITY SUPPLY IS TURNED OFF.
6. Affix the mounting bracket (B) on the outlet box.
7. Wrap both safety cable with nipples (C), push the cable into the outlet box.
8. Attach the canopy (D) to the mounting bracket (B) and secure with lock collar (A).
9. Install the bulbs on the sockets.
10. Installation is complete, turn on power at fuse or circuit breaker.

care instructions:

Clean with a dry, soft cloth only. Use no harsh abrasives or chemical agents.

parts enclosed:

Part	Description	Qty.
A	lock collar	1
B	mounting Bracket	1
C	nipples	3
D	canopy	1
E	chain	1
F	open ring	1
G	loop	1
H	cable	1
I	naked earth cable	1
J	ceiling loop	1



important safety instructions:

1. We recommend installation by a licensed electrician.
2. To avoid the risk of fire, do not exceed the recommended wattage for this fixture.

warnings:

1. Do not remove the lamp from its packaging by pulling on the power cord, as a bad connection may result.
2. To avoid the risk of fire, electrical shock, or personal injury, turn off lamp and allow it to cool prior to replacing light bulb.
3. Do not touch bulb when fixture is turned on or look directly at lit bulb.
4. Keep flammable materials away from lit bulb.

to assemble:

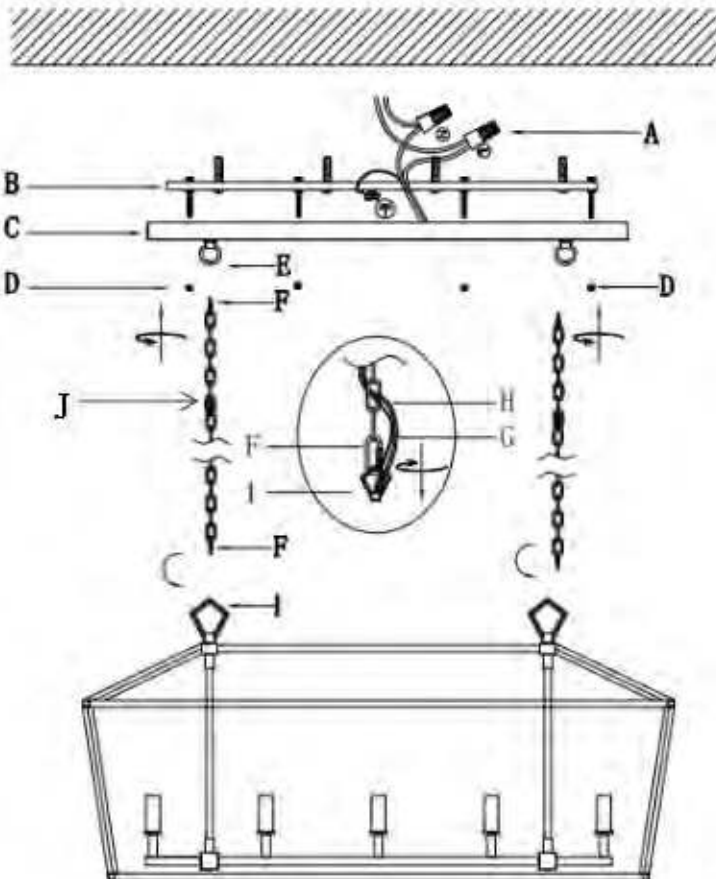
1. Carefully remove all parts from the box.
2. Remove the mounting bracket (B) from the canopy (D) by loosening the lock collar (A).
3. Taking off the open ring (F) and use the dimensions of the fixture as a guide, shorten the chain (E) as needed using a pair of chain pliers.
4. Use the open ring (F) to link the chain (E) and the loop (G), then put the cable (H) and the naked earth cable (I) through the chain (E) in every 3-4 rings until through the ceiling loop (J).
5. INSURE THE ELECTRICITY SUPPLY IS TURNED OFF.
6. Affix the mounting bracket (B) on the outlet box.
7. Wrap both safety cable with nipples (C), push the cable into the outlet box.
8. Attach the canopy (D) to the mounting bracket (B) and secure with lock collar (A).
9. Install the bulbs on the sockets.
10. Installation is complete, turn on power at fuse or circuit breaker.

care instructions:

Clean with a dry, soft cloth only. Use no harsh abrasives or chemical agents.

parts enclosed:

Part	Description	Qty.
A	nipples	3
B	mounting bracket	1
C	rectangular base	1
D	screws	4
E	ceiling loops	2
F	open rings	2
G	cable	1
H	naked earth cable	1
I	loops	2
J	chains	2



important safety instructions:

1. We recommend installation by a licensed electrician.
2. To avoid the risk of fire, do not exceed the recommended wattage for this fixture.

warnings:

1. Do not remove the lamp from its packaging by pulling on the power cord, as a bad connection may result.
2. To avoid the risk of fire, electrical shock, or personal injury, turn off lamp and allow it to cool prior to replacing light bulb.
3. Do not touch bulb when fixture is turned on or look directly at lit bulb.
4. Keep flammable materials away from lit bulb.

to assemble:

1. Carefully remove all parts from the box.
2. Remove the mounting bracket (B) from the rectangular base (C) by loosening the screws (D).
3. Taking off the open ring (F) and use the dimensions of the fixture as a guide, shorten the chain as needed using a pair of chain pliers.
4. Use the open ring (F) to link the chain and the loop (I), then put the cable (G) and naked earth cable (H) through the chain (J) in every 3-4 rings until through the ceiling loop (E).
5. INSURE THE ELECTRICITY SUPPLY IS TURNED OFF.
6. Affix the mounting bracket (B) on the outlet box.
7. Hold the lamp body and wrap both safety cable with nipples (A), push the cable into the outlet box.
8. Attach the rectangular base (C) to the mounting bracket (B) and secure with screws (D).
9. Install the bulbs on the sockets.
10. Installation is complete, turn on power at fuse or circuit breaker.

care instructions:

Clean with a dry, soft cloth only. Use no harsh abrasives or chemical agents.

parts enclosed:

Part	Description	Qty.
A	screws	2
B	mounting bracket	1
C	side screws	2
D	cabl	1
E	nipples	2

important safety instructions:

1. We recommend installation by a licensed electrician.
2. To avoid the risk of fire, do not exceed the recommended wattage for this fixture.

warnings:

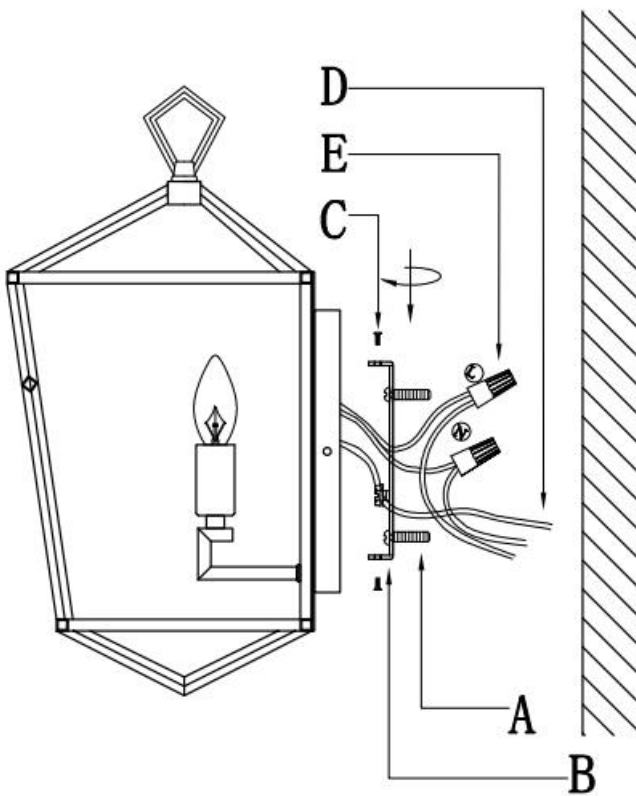
1. Do not remove the lamp from its packaging by pulling on the power cord, as a bad connection may result.
2. To avoid the risk of fire, electrical shock, or personal injury, turn off lamp and allow it to cool prior to replacing light bulb.
3. Do not touch bulb when fixture is turned on or look directly at lit bulb.
4. Keep flammable materials away from lit bulb.

to assemble:

1. Carefully remove all parts from the box.
2. Remove the mounting bracket (B) from the base by loosening the side screw (C).
3. Affix the mounting bracket (B) on the outlet box with the screws (A).
4. **INSURE THE ELECTRICITY SUPPLY IS TURNED OFF**
5. Hold the lamp body and wrap both safety cable (D) with nipples (E), push the base on the bracket (B) and then affix it with screws (C) again.
6. Installation is complete, turn on power at fuse or circuit breaker.

care instructions:

Clean with a dry, soft cloth only. Use no harsh abrasives or chemical agents.



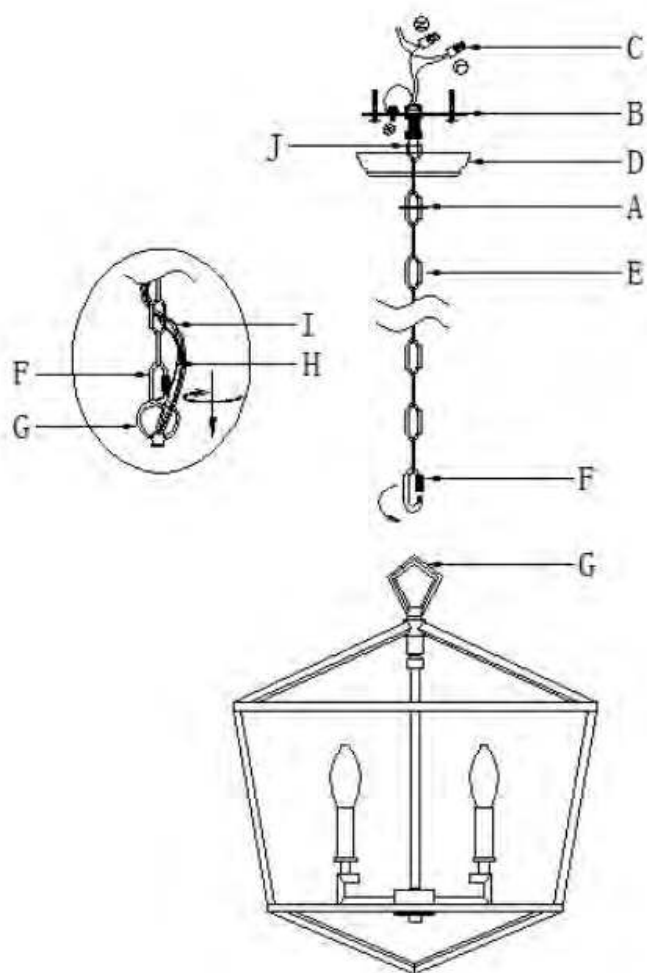
PARTS INVENTORY

Super Category	Product ID	Description	Stat	Collection	Route
LIGHTING	912036H11CH	GARNET BRONZE 12 FT CHAIN 12 FT IRON HANGING CHAIN	A	PT-GARNET	PART
LIGHTING	912036H11CH6	GARNET BRONZE 6 FT CHAIN 6 FT IRON HANGING CHAIN	A	PT-GARNET	PART
LIGHTING	912036H041CC	GARNET BRONZE CANDLE COVER ANTIQUE BRONZE CANDLE COVER	A	PT-GARNET	PART
LIGHTING	912036H113CN	GARNET BRONZE PENDANT CANOPY IRON CANOPY	A	PT-GARNET	PART
LIGHTING	912036H114CN	GARNET BRONZE RECT CANOPY BRONZE RECT CANOPY W/ HARDWARE	A	PT-GARNET	PART

parts enclosed:

Part	Description	Qty.
A	screws	1
B	mounting bracket	1
C	nipples	3
D	canopy	1
E	chain	1

Part	Description	Qty.
F	open ring	1
G	loop	1
H	cable	1
I	naked earth cable	1
J	ceiling loop	1



important safety instructions:

1. We recommend installation by a licensed electrician.
2. To avoid the risk of fire, do not exceed the recommended wattage for this fixture.

warnings:

1. Do not remove the lamp from its packaging by pulling on the power cord, as a bad connection may result.
2. To avoid the risk of fire, electrical shock, or personal injury, turn off lamp and allow it to cool prior to replacing light bulb.
3. Do not touch bulb when fixture is turned on or look directly at lit bulb.
4. Keep flammable materials away from lit bulb.

to assemble:

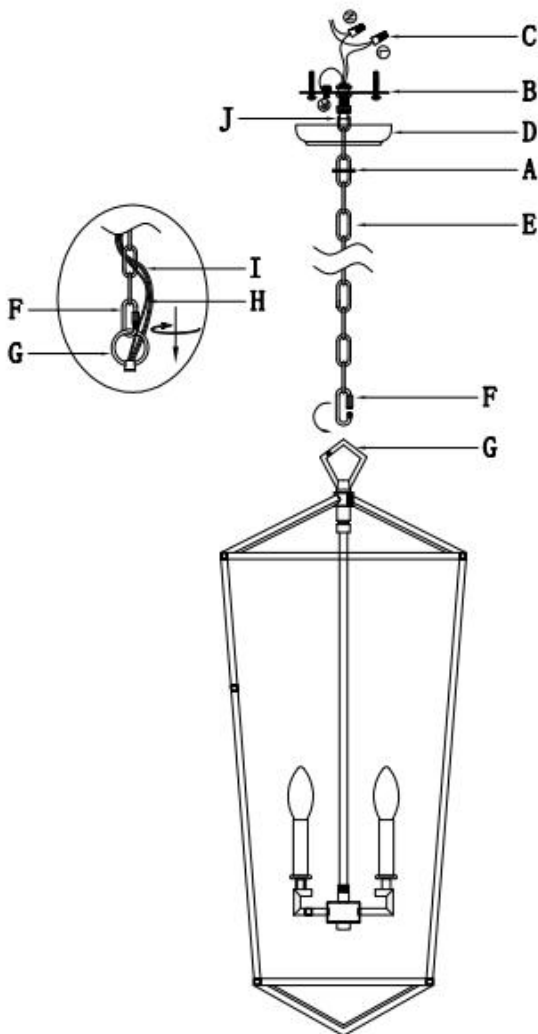
1. Carefully remove all parts from the box.
2. Remove the mounting bracket (B) from the canopy (D) by loosening the screws (A).
3. Taking off the open ring (F) and use the dimensions of the fixture as a guide, shorten the chain (E) as needed using a pair of chain pliers.
4. Use the open ring (F) to link the chain (E) and the loop (G), then put the cable (H) and naked earth cable (I) through the chain (E) in every 3-4 rings until through the ceiling loop (J).
5. INSURE THE ELECTRICITY SUPPLY IS TURNED OFF.
6. Affix the mounting bracket (B) on the outlet box.
7. Wrap both safety cable with nipples (C), push the cable into the outlet box.
8. Attach the canopy (D) to the mounting bracket (B) and secure with lock collar (A).
9. Install the bulbs on the sockets.
10. Installation is complete, turn on power at fuse or circuit breaker.

care instructions:

Clean with a dry, soft cloth only. Use no harsh abrasives or chemical agents.

parts enclosed:

Part	Description	Qty.
A	lock collar	1
B	mounting Bracket	1
C	nipples	3
D	canopy	1
E	chain	1
F	open ring	1
G	loop	1
H	cable	1
I	naked earth cable	1
J	ceiling loop	1



important safety instructions:

1. We recommend installation by a licensed electrician.
2. To avoid the risk of fire, do not exceed the recommended wattage for this fixture.

warnings:

1. Do not remove the lamp from its packaging by pulling on the power cord, as a bad connection may result.
2. To avoid the risk of fire, electrical shock, or personal injury, turn off lamp and allow it to cool prior to replacing light bulb.
3. Do not touch bulb when fixture is turned on or look directly at lit bulb.
4. Keep flammable materials away from lit bulb.

to assemble:

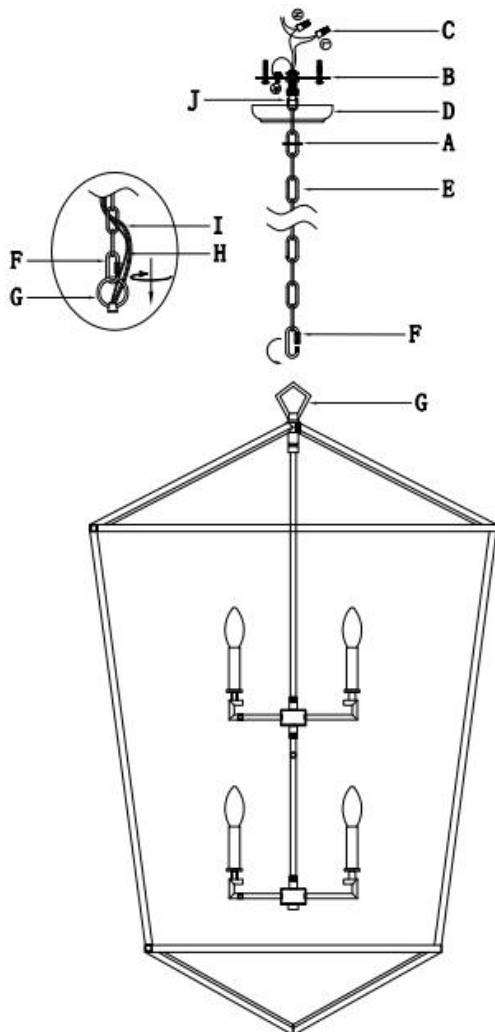
1. Carefully remove all parts from the box.
2. Remove the mounting bracket (B) from the canopy (D) by loosening the lock collar (A).
3. Taking off the open ring (F) and use the dimensions of the fixture as a guide, shorten the chain (E) as needed using a pair of chain pliers.
4. Use the open ring (F) to link the chain (E) and the loop (G), then put the cable (H) and the naked earth cable (I) through the chain (E) in every 3-4 rings until through the ceiling loop (J).
5. INSURE THE ELECTRICITY SUPPLY IS TURNED OFF.
6. Affix the mounting bracket (B) on the outlet box.
7. Wrap both safety cable with nipples (C), push the cable into the outlet box.
8. Attach the canopy (D) to the mounting bracket (B) and secure with lock collar (A).
9. Install the bulbs on the sockets.
10. Installation is complete, turn on power at fuse or circuit breaker.

care instructions:

Clean with a dry, soft cloth only. Use no harsh abrasives or chemical agents.

parts enclosed:

Part	Description	Qty.
A	lock collar	1
B	mounting Bracket	1
C	nipples	3
D	canopy	1
E	chain	1
F	open ring	1
G	loop	1
H	cable	1
I	naked earth cable	1
J	ceiling loop	1



important safety instructions:

1. We recommend installation by a licensed electrician.
2. To avoid the risk of fire, do not exceed the recommended wattage for this fixture.

warnings:

1. Do not remove the lamp from its packaging by pulling on the power cord, as a bad connection may result.
2. To avoid the risk of fire, electrical shock, or personal injury, turn off lamp and allow it to cool prior to replacing light bulb.
3. Do not touch bulb when fixture is turned on or look directly at lit bulb.
4. Keep flammable materials away from lit bulb.

to assemble:

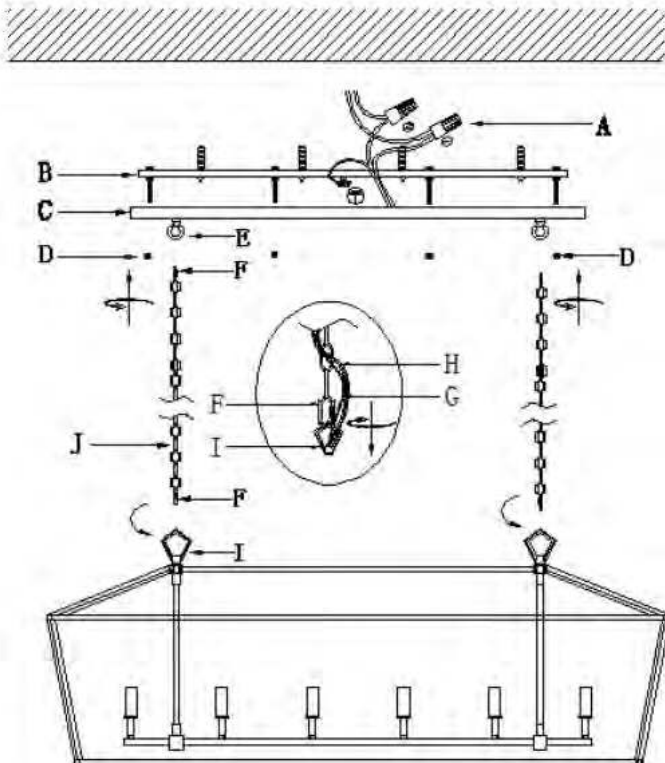
1. Carefully remove all parts from the box.
2. Remove the mounting bracket (B) from the canopy (D) by loosening the lock collar (A).
3. Taking off the open ring (F) and use the dimensions of the fixture as a guide, shorten the chain (E) as needed using a pair of chain pliers.
4. Use the open ring (F) to link the chain (E) and the loop (G), then put the cable (H) and the naked earth cable (I) through the chain (E) in every 3-4 rings until through the ceiling loop (J).
5. INSURE THE ELECTRICITY SUPPLY IS TURNED OFF.
6. Affix the mounting bracket (B) on the outlet box.
7. Wrap both safety cable with nipples (C), push the cable into the outlet box.
8. Attach the canopy (D) to the mounting bracket (B) and secure with lock collar (A).
9. Install the bulbs on the sockets.
10. Installation is complete, turn on power at fuse or circuit breaker.

care instructions:

Clean with a dry, soft cloth only. Use no harsh abrasives or chemical agents.

parts enclosed:

Part	Description	Qty.
A	nipples	3
B	mounting bracket	1
C	rectangular base	1
D	screws	4
E	ceiling loops	2
F	open rings	2
G	cable	1
H	naked earth cable	1
I	loops	2
J	chains	2



important safety instructions:

1. We recommend installation by a licensed electrician.
2. To avoid the risk of fire, do not exceed the recommended wattage for this fixture.

warnings:

1. Do not remove the lamp from its packaging by pulling on the power cord, as a bad connection may result.
2. To avoid the risk of fire, electrical shock, or personal injury, turn off lamp and allow it to cool prior to replacing light bulb.
3. Do not touch bulb when fixture is turned on or look directly at lit bulb.
4. Keep flammable materials away from lit bulb.

to assemble:

1. Carefully remove all parts from the box.
2. Remove the mounting bracket (B) from the rectangular base (C) by loosening the screws (D).
3. Taking off the open ring (F) and use the dimensions of the fixture as a guide, shorten the chain as needed using a pair of chain pliers.
4. Use the open ring (F) to link the chain and the loop (I), then put the cable (G) and naked earth cable (H) through the chain (J) in every 3-4 rings until through the ceiling loop (E).
5. INSURE THE ELECTRICITY SUPPLY IS TURNED OFF.
6. Affix the mounting bracket (B) on the outlet box.
7. Hold the lamp body and wrap both safety cable with nipples (A), push the cable into the outlet box.
8. Attach the rectangular base (C) to the mounting bracket (B) and secure with screws (D).
9. Install the bulbs on the sockets.
10. Installation is complete, turn on power at fuse or circuit breaker.

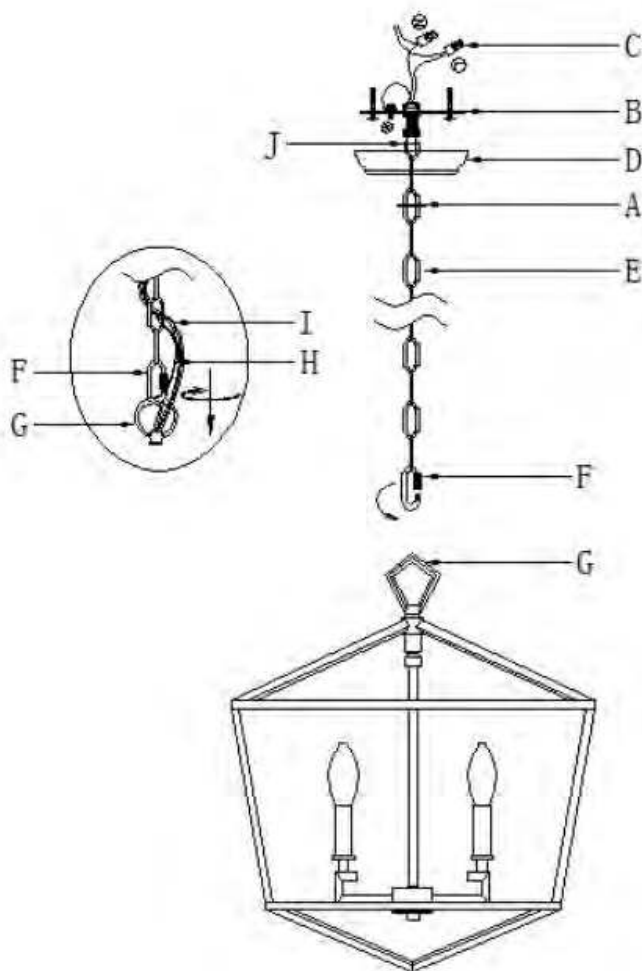
care instructions:

Clean with a dry, soft cloth only. Use no harsh abrasives or chemical agents.

parts enclosed:

Part	Description	Qty.
A	screws	1
B	mounting bracket	1
C	nipples	3
D	canopy	1
E	chain	1

Part	Description	Qty.
F	open ring	1
G	loop	1
H	cable	1
I	naked earth cable	1
J	ceiling loop	1



important safety instructions:

1. We recommend installation by a licensed electrician.
2. To avoid the risk of fire, do not exceed the recommended wattage for this fixture.

warnings:

1. Do not remove the lamp from its packaging by pulling on the power cord, as a bad connection may result.
2. To avoid the risk of fire, electrical shock, or personal injury, turn off lamp and allow it to cool prior to replacing light bulb.
3. Do not touch bulb when fixture is turned on or look directly at lit bulb.
4. Keep flammable materials away from lit bulb.

to assemble:

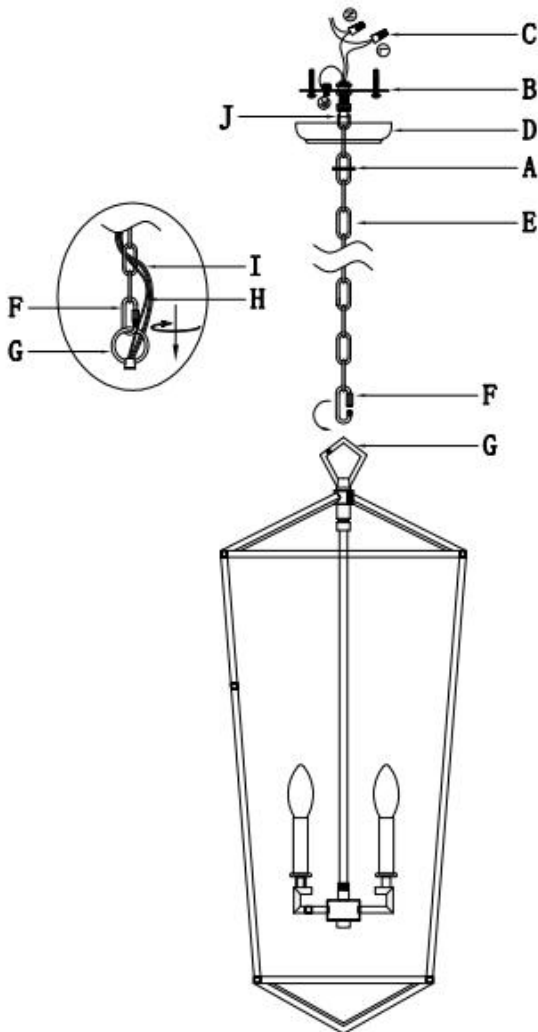
1. Carefully remove all parts from the box.
2. Remove the mounting bracket (B) from the canopy (D) by loosening the screws (A).
3. Taking off the open ring (F) and use the dimensions of the fixture as a guide, shorten the chain (E) as needed using a pair of chain pliers.
4. Use the open ring (F) to link the chain (E) and the loop (G), then put the cable (H) and naked earth cable (I) through the chain (E) in every 3-4 rings until through the ceiling loop (J).
5. INSURE THE ELECTRICITY SUPPLY IS TURNED OFF.
6. Affix the mounting bracket (B) on the outlet box.
7. Wrap both safety cable with nipples (C), push the cable into the outlet box.
8. Attach the canopy (D) to the mounting bracket (B) and secure with lock collar (A).
9. Install the bulbs on the sockets.
10. Installation is complete, turn on power at fuse or circuit breaker.

care instructions:

Clean with a dry, soft cloth only. Use no harsh abrasives or chemical agents.

parts enclosed:

Part	Description	Qty.
A	lock collar	1
B	mounting Bracket	1
C	nipples	3
D	canopy	1
E	chain	1
F	open ring	1
G	loop	1
H	cable	1
I	naked earth cable	1
J	ceiling loop	1



important safety instructions:

1. We recommend installation by a licensed electrician.
2. To avoid the risk of fire, do not exceed the recommended wattage for this fixture.

warnings:

1. Do not remove the lamp from its packaging by pulling on the power cord, as a bad connection may result.
2. To avoid the risk of fire, electrical shock, or personal injury, turn off lamp and allow it to cool prior to replacing light bulb.
3. Do not touch bulb when fixture is turned on or look directly at lit bulb.
4. Keep flammable materials away from lit bulb.

to assemble:

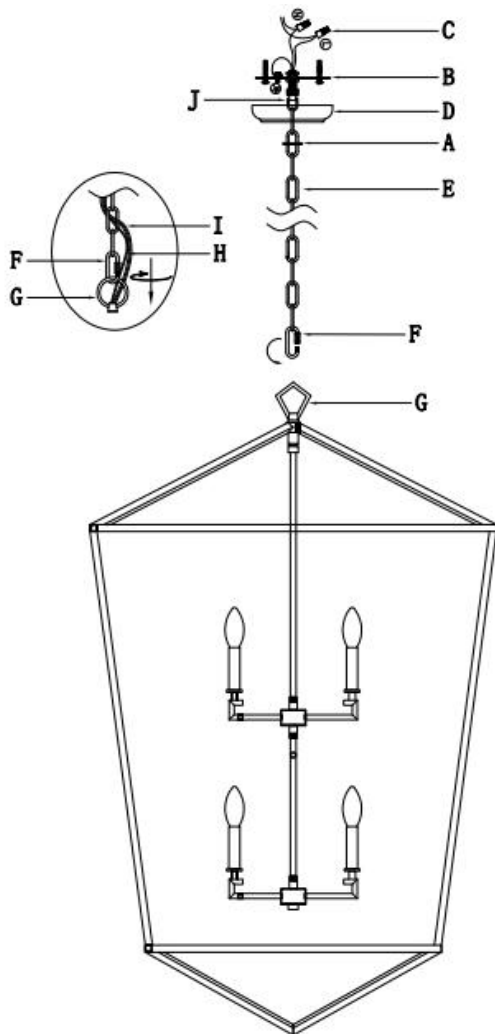
1. Carefully remove all parts from the box.
2. Remove the mounting bracket (B) from the canopy (D) by loosening the lock collar (A).
3. Taking off the open ring (F) and use the dimensions of the fixture as a guide, shorten the chain (E) as needed using a pair of chain pliers.
4. Use the open ring (F) to link the chain (E) and the loop (G), then put the cable (H) and the naked earth cable (I) through the chain (E) in every 3-4 rings until through the ceiling loop (J).
5. INSURE THE ELECTRICITY SUPPLY IS TURNED OFF.
6. Affix the mounting bracket (B) on the outlet box.
7. Wrap both safety cable with nipples (C), push the cable into the outlet box.
8. Attach the canopy (D) to the mounting bracket (B) and secure with lock collar (A).
9. Install the bulbs on the sockets.
10. Installation is complete, turn on power at fuse or circuit breaker.

care instructions:

Clean with a dry, soft cloth only. Use no harsh abrasives or chemical agents.

parts enclosed:

Part	Description	Qty.
A	lock collar	1
B	mounting Bracket	1
C	nipples	3
D	canopy	1
E	chain	1
F	open ring	1
G	loop	1
H	cable	1
I	naked earth cable	1
J	ceiling loop	1



important safety instructions:

1. We recommend installation by a licensed electrician.
2. To avoid the risk of fire, do not exceed the recommended wattage for this fixture.

warnings:

1. Do not remove the lamp from its packaging by pulling on the power cord, as a bad connection may result.
2. To avoid the risk of fire, electrical shock, or personal injury, turn off lamp and allow it to cool prior to replacing light bulb.
3. Do not touch bulb when fixture is turned on or look directly at lit bulb.
4. Keep flammable materials away from lit bulb.

to assemble:

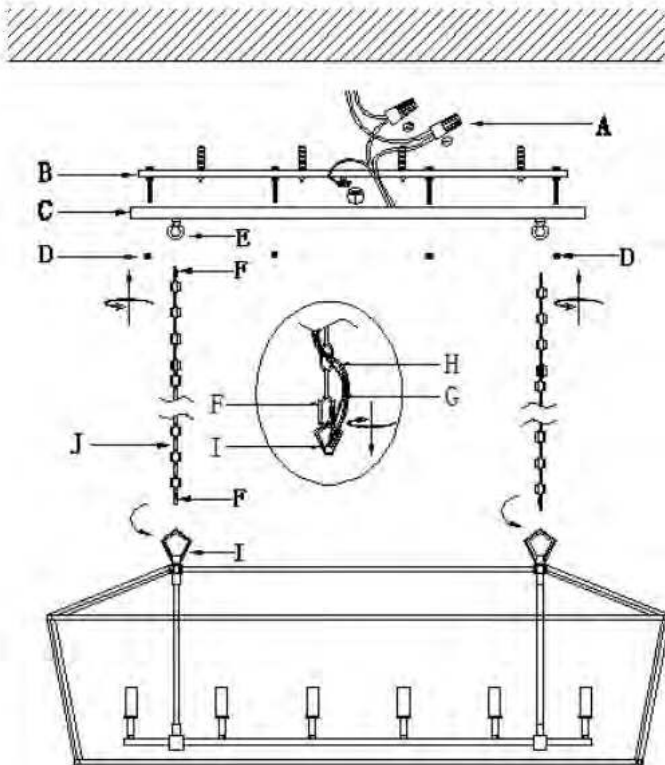
1. Carefully remove all parts from the box.
2. Remove the mounting bracket (B) from the canopy (D) by loosening the lock collar (A).
3. Taking off the open ring (F) and use the dimensions of the fixture as a guide, shorten the chain (E) as needed using a pair of chain pliers.
4. Use the open ring (F) to link the chain (E) and the loop (G), then put the cable (H) and the naked earth cable (I) through the chain (E) in every 3-4 rings until through the ceiling loop (J).
5. INSURE THE ELECTRICITY SUPPLY IS TURNED OFF.
6. Affix the mounting bracket (B) on the outlet box.
7. Wrap both safety cable with nipples (C), push the cable into the outlet box.
8. Attach the canopy (D) to the mounting bracket (B) and secure with lock collar (A).
9. Install the bulbs on the sockets.
10. Installation is complete, turn on power at fuse or circuit breaker.

care instructions:

Clean with a dry, soft cloth only. Use no harsh abrasives or chemical agents.

parts enclosed:

Part	Description	Qty.
A	nipples	3
B	mounting bracket	1
C	rectangular base	1
D	screws	4
E	ceiling loops	2
F	open rings	2
G	cable	1
H	naked earth cable	1
I	loops	2
J	chains	2



important safety instructions:

1. We recommend installation by a licensed electrician.
2. To avoid the risk of fire, do not exceed the recommended wattage for this fixture.

warnings:

1. Do not remove the lamp from its packaging by pulling on the power cord, as a bad connection may result.
2. To avoid the risk of fire, electrical shock, or personal injury, turn off lamp and allow it to cool prior to replacing light bulb.
3. Do not touch bulb when fixture is turned on or look directly at lit bulb.
4. Keep flammable materials away from lit bulb.

to assemble:

1. Carefully remove all parts from the box.
2. Remove the mounting bracket (B) from the rectangular base (C) by loosening the screws (D).
3. Taking off the open ring (F) and use the dimensions of the fixture as a guide, shorten the chain as needed using a pair of chain pliers.
4. Use the open ring (F) to link the chain and the loop (I), then put the cable (G) and naked earth cable (H) through the chain (J) in every 3-4 rings until through the ceiling loop (E).
5. INSURE THE ELECTRICITY SUPPLY IS TURNED OFF.
6. Affix the mounting bracket (B) on the outlet box.
7. Hold the lamp body and wrap both safety cable with nipples (A), push the cable into the outlet box.
8. Attach the rectangular base (C) to the mounting bracket (B) and secure with screws (D).
9. Install the bulbs on the sockets.
10. Installation is complete, turn on power at fuse or circuit breaker.

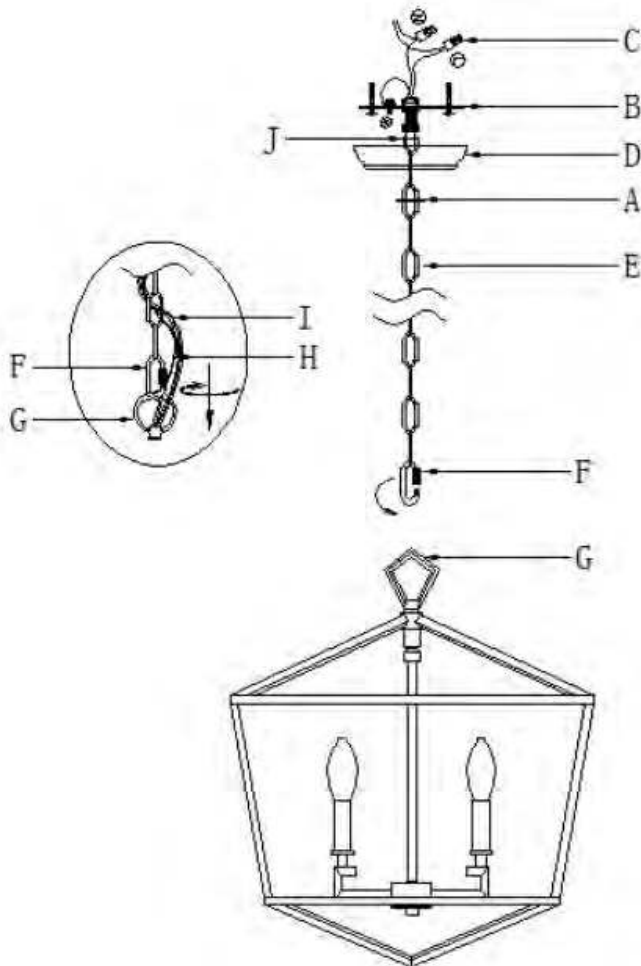
care instructions:

Clean with a dry, soft cloth only. Use no harsh abrasives or chemical agents.

parts enclosed:

Part	Description	Qty.
A	screws	1
B	mounting bracket	1
C	nipples	3
D	canopy	1
E	chain	1

Part	Description	Qty.
F	open ring	1
G	loop	1
H	cable	1
I	naked earth cable	1
J	ceiling loop	1



important safety instructions:

1. We recommend installation by a licensed electrician.
2. To avoid the risk of fire, do not exceed the recommended wattage for this fixture.

warnings:

1. Do not remove the lamp from its packaging by pulling on the power cord, as a bad connection may result.
2. To avoid the risk of fire, electrical shock, or personal injury, turn off lamp and allow it to cool prior to replacing light bulb.
3. Do not touch bulb when fixture is turned on or look directly at lit bulb.
4. Keep flammable materials away from lit bulb.

to assemble:

1. Carefully remove all parts from the box.
2. Remove the mounting bracket (B) from the canopy (D) by loosening the screws (A).
3. Taking off the open ring (F) and use the dimensions of the fixture as a guide, shorten the chain (E) as needed using a pair of chain pliers.
4. Use the open ring (F) to link the chain (E) and the loop (G), then put the cable (H) and naked earth cable (I) through the chain (E) in every 3-4 rings until through the ceiling loop (J).
5. INSURE THE ELECTRICITY SUPPLY IS TURNED OFF.
6. Affix the mounting bracket (B) on the outlet box.
7. Wrap both safety cable with nipples (C), push the cable into the outlet box.
8. Attach the canopy (D) to the mounting bracket (B) and secure with lock collar (A).
9. Install the bulbs on the sockets.
10. Installation is complete, turn on power at fuse or circuit breaker.

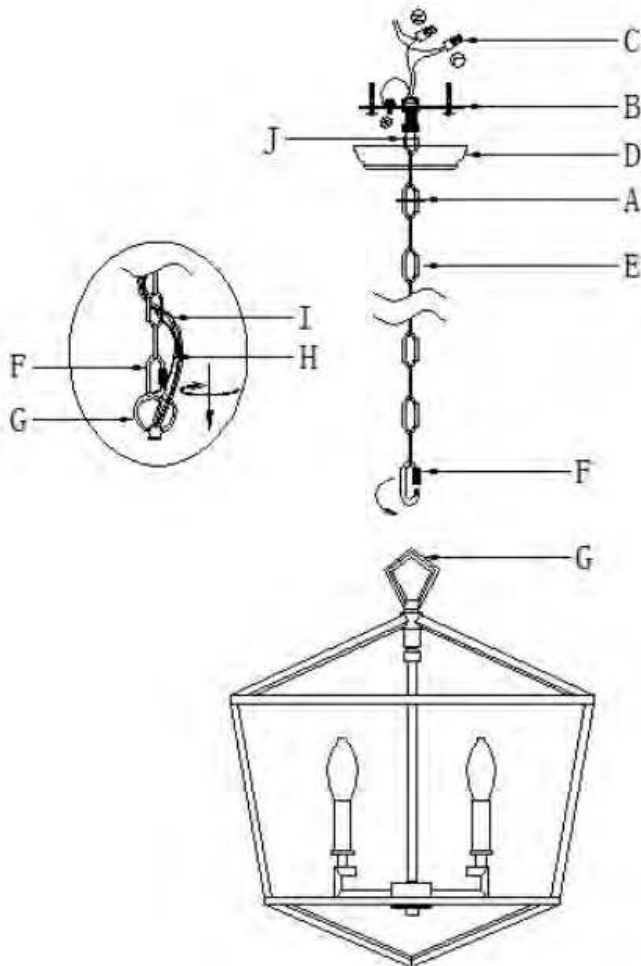
care instructions:

Clean with a dry, soft cloth only. Use no harsh abrasives or chemical agents.

parts enclosed:

Part	Description	Qty.
A	screws	1
B	mounting bracket	1
C	nipples	3
D	canopy	1
E	chain	1

Part	Description	Qty.
F	open ring	1
G	loop	1
H	cable	1
I	naked earth cable	1
J	ceiling loop	1



important safety instructions:

1. We recommend installation by a licensed electrician.
2. To avoid the risk of fire, do not exceed the recommended wattage for this fixture.

warnings:

1. Do not remove the lamp from its packaging by pulling on the power cord, as a bad connection may result.
2. To avoid the risk of fire, electrical shock, or personal injury, turn off lamp and allow it to cool prior to replacing light bulb.
3. Do not touch bulb when fixture is turned on or look directly at lit bulb.
4. Keep flammable materials away from lit bulb.

to assemble:

1. Carefully remove all parts from the box.
2. Remove the mounting bracket (B) from the canopy (D) by loosening the screws (A).
3. Taking off the open ring (F) and use the dimensions of the fixture as a guide, shorten the chain (E) as needed using a pair of chain pliers.
4. Use the open ring (F) to link the chain (E) and the loop (G), then put the cable (H) and naked earth cable (I) through the chain (E) in every 3-4 rings until through the ceiling loop (J).
5. INSURE THE ELECTRICITY SUPPLY IS TURNED OFF.
6. Affix the mounting bracket (B) on the outlet box.
7. Wrap both safety cable with nipples (C), push the cable into the outlet box.
8. Attach the canopy (D) to the mounting bracket (B) and secure with lock collar (A).
9. Install the bulbs on the sockets.
10. Installation is complete, turn on power at fuse or circuit breaker.

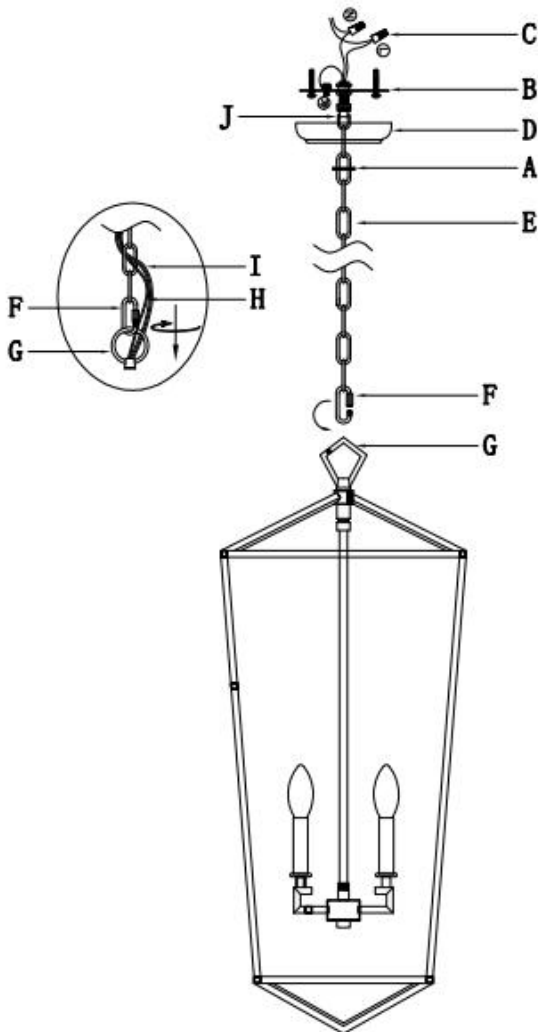
care instructions:

Clean with a dry, soft cloth only. Use no harsh abrasives or chemical agents.

GARNET ANTIQUE SILVER 35" PENDANT
662036H269

parts enclosed:

Part	Description	Qty.
A	lock collar	1
B	mounting Bracket	1
C	nipples	3
D	canopy	1
E	chain	1
F	open ring	1
G	loop	1
H	cable	1
I	naked earth cable	1
J	ceiling loop	1



important safety instructions:

1. We recommend installation by a licensed electrician.
2. To avoid the risk of fire, do not exceed the recommended wattage for this fixture.

warnings:

1. Do not remove the lamp from its packaging by pulling on the power cord, as a bad connection may result.
2. To avoid the risk of fire, electrical shock, or personal injury, turn off lamp and allow it to cool prior to replacing light bulb.
3. Do not touch bulb when fixture is turned on or look directly at lit bulb.
4. Keep flammable materials away from lit bulb.

to assemble:

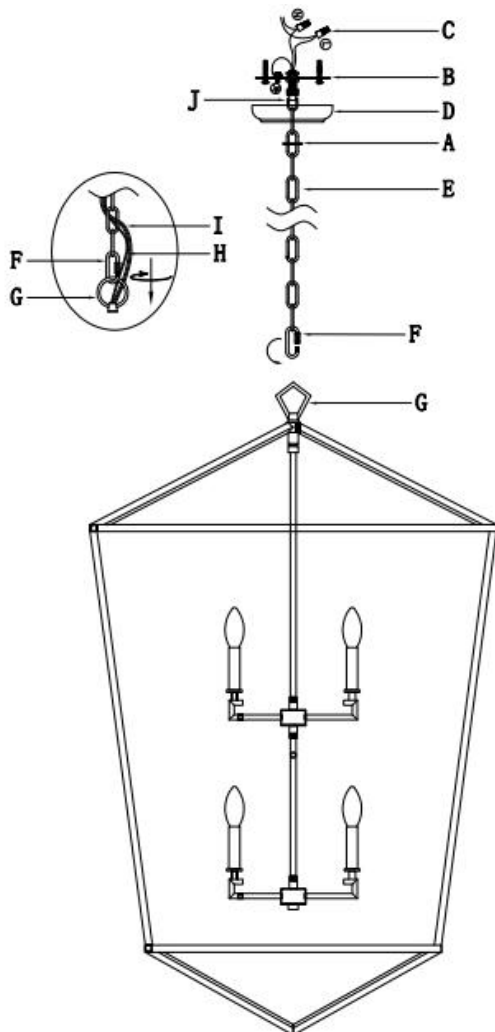
1. Carefully remove all parts from the box.
2. Remove the mounting bracket (B) from the canopy (D) by loosening the lock collar (A).
3. Taking off the open ring (F) and use the dimensions of the fixture as a guide, shorten the chain (E) as needed using a pair of chain pliers.
4. Use the open ring (F) to link the chain (E) and the loop (G), then put the cable (H) and the naked earth cable (I) through the chain (E) in every 3-4 rings until through the ceiling loop (J).
5. INSURE THE ELECTRICITY SUPPLY IS TURNED OFF.
6. Affix the mounting bracket (B) on the outlet box.
7. Wrap both safety cable with nipples (C), push the cable into the outlet box.
8. Attach the canopy (D) to the mounting bracket (B) and secure with lock collar (A).
9. Install the bulbs on the sockets.
10. Installation is complete, turn on power at fuse or circuit breaker.

care instructions:

Clean with a dry, soft cloth only. Use no harsh abrasives or chemical agents.

parts enclosed:

Part	Description	Qty.
A	lock collar	1
B	mounting Bracket	1
C	nipples	3
D	canopy	1
E	chain	1
F	open ring	1
G	loop	1
H	cable	1
I	naked earth cable	1
J	ceiling loop	1



important safety instructions:

1. We recommend installation by a licensed electrician.
2. To avoid the risk of fire, do not exceed the recommended wattage for this fixture.

warnings:

1. Do not remove the lamp from its packaging by pulling on the power cord, as a bad connection may result.
2. To avoid the risk of fire, electrical shock, or personal injury, turn off lamp and allow it to cool prior to replacing light bulb.
3. Do not touch bulb when fixture is turned on or look directly at lit bulb.
4. Keep flammable materials away from lit bulb.

to assemble:

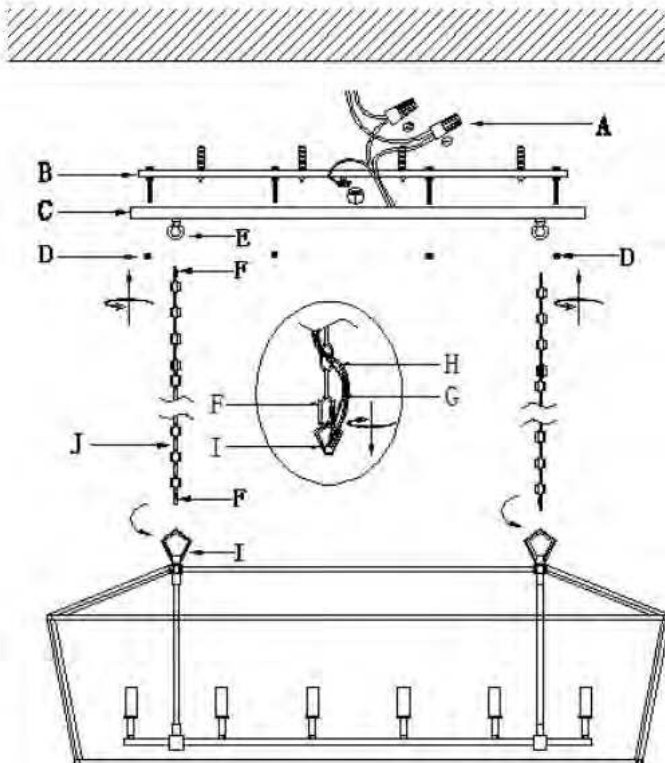
1. Carefully remove all parts from the box.
2. Remove the mounting bracket (B) from the canopy (D) by loosening the lock collar (A).
3. Taking off the open ring (F) and use the dimensions of the fixture as a guide, shorten the chain (E) as needed using a pair of chain pliers.
4. Use the open ring (F) to link the chain (E) and the loop (G), then put the cable (H) and the naked earth cable (I) through the chain (E) in every 3-4 rings until through the ceiling loop (J).
5. INSURE THE ELECTRICITY SUPPLY IS TURNED OFF.
6. Affix the mounting bracket (B) on the outlet box.
7. Wrap both safety cable with nipples (C), push the cable into the outlet box.
8. Attach the canopy (D) to the mounting bracket (B) and secure with lock collar (A).
9. Install the bulbs on the sockets.
10. Installation is complete, turn on power at fuse or circuit breaker.

care instructions:

Clean with a dry, soft cloth only. Use no harsh abrasives or chemical agents.

parts enclosed:

Part	Description	Qty.
A	nipples	3
B	mounting bracket	1
C	rectangular base	1
D	screws	4
E	ceiling loops	2
F	open rings	2
G	cable	1
H	naked earth cable	1
I	loops	2
J	chains	2



important safety instructions:

1. We recommend installation by a licensed electrician.
2. To avoid the risk of fire, do not exceed the recommended wattage for this fixture.

warnings:

1. Do not remove the lamp from its packaging by pulling on the power cord, as a bad connection may result.
2. To avoid the risk of fire, electrical shock, or personal injury, turn off lamp and allow it to cool prior to replacing light bulb.
3. Do not touch bulb when fixture is turned on or look directly at lit bulb.
4. Keep flammable materials away from lit bulb.

to assemble:

1. Carefully remove all parts from the box.
2. Remove the mounting bracket (B) from the rectangular base (C) by loosening the screws (D).
3. Taking off the open ring (F) and use the dimensions of the fixture as a guide, shorten the chain as needed using a pair of chain pliers.
4. Use the open ring (F) to link the chain and the loop (I), then put the cable (G) and naked earth cable (H) through the chain (J) in every 3-4 rings until through the ceiling loop (E).
5. INSURE THE ELECTRICITY SUPPLY IS TURNED OFF.
6. Affix the mounting bracket (B) on the outlet box.
7. Hold the lamp body and wrap both safety cable with nipples (A), push the cable into the outlet box.
8. Attach the rectangular base (C) to the mounting bracket (B) and secure with screws (D).
9. Install the bulbs on the sockets.
10. Installation is complete, turn on power at fuse or circuit breaker.

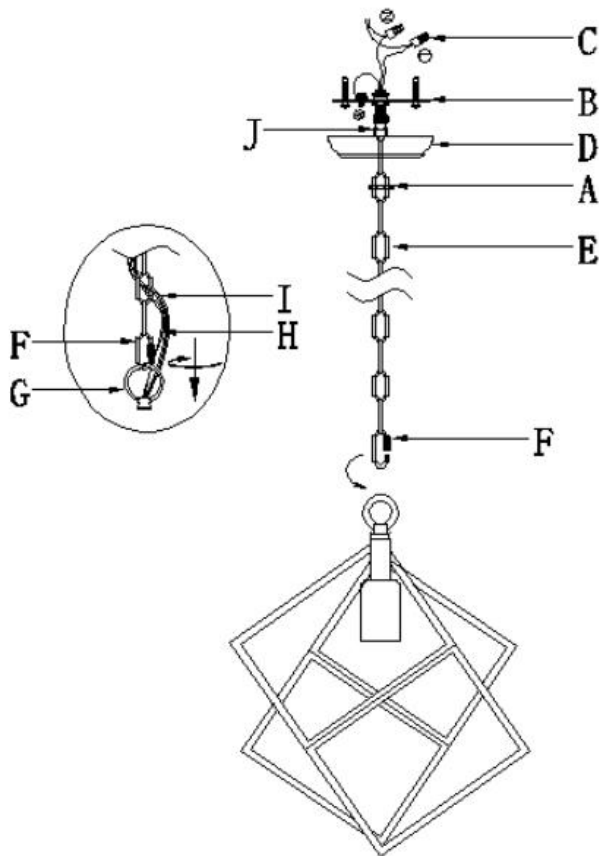
care instructions:

Clean with a dry, soft cloth only. Use no harsh abrasives or chemical agents.

parts enclosed:

Part	Description	Qty.
A	screws	1
B	mounting bracket	1
C	nipples	3
D	canopy	1
E	chain	1

Part	Description	Qty.
F	open ring	1
G	loop	1
H	cable	1
I	naked earth cable	1
J	ceiling loop	1



important safety instructions:

1. We recommend installation by a licensed electrician.
2. To avoid the risk of fire, do not exceed the recommended wattage for this fixture.

warnings:

1. Do not remove the lamp from its packaging by pulling on the power cord, as a bad connection may result.
2. To avoid the risk of fire, electrical shock, or personal injury, turn off lamp and allow it to cool prior to replacing light bulb.
3. Do not touch bulb when fixture is turned on or look directly at lit bulb.
4. Keep flammable materials away from lit bulb.

to assemble:

1. Carefully remove all parts from the box.
2. Remove the mounting bracket (B) from the canopy (D) by loosening the screws (A).
3. Taking off the open ring (F) and use the dimensions of the fixture as a guide, shorten the chain (E) as needed using a pair of chain pliers.
4. Use the open ring (F) to link the chain (E) and the loop (G), then put the cable (H) and naked earth cable (I) through the chain (E) in every 3-4 rings until through the ceiling loop (J).
5. INSURE THE ELECTRICITY SUPPLY IS TURNED OFF.
6. Affix the mounting bracket (B) on the outlet box.
7. Wrap both safety cable with nipples (C), push the cable into the outlet box.
8. Attach the canopy (D) to the mounting bracket (B) and secure with lock collar (A).
9. Install the bulbs on the sockets.
10. Installation is complete, turn on power at fuse or circuit breaker.

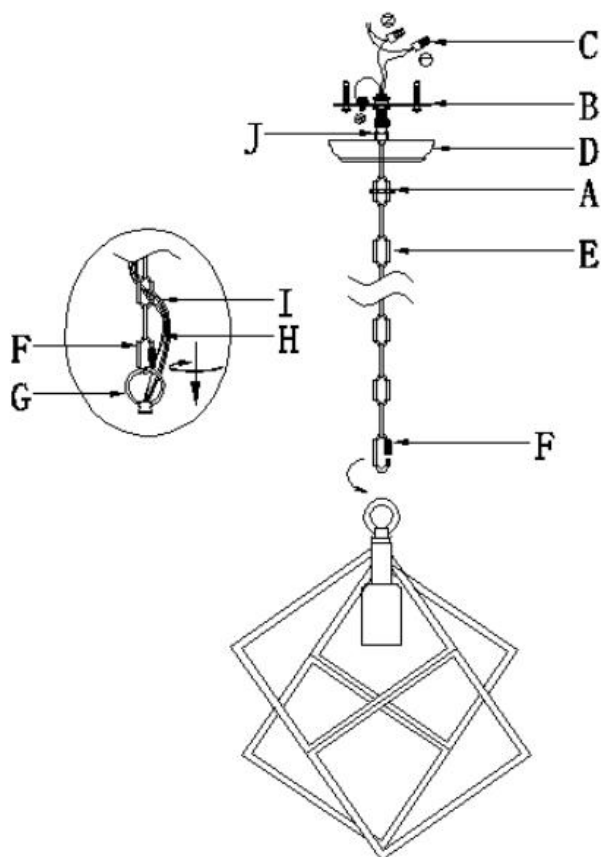
care instructions:

Clean with a dry, soft cloth only. Use no harsh abrasives or chemical agents.

parts enclosed:

Part	Description	Qty.
A	screws	1
B	mounting bracket	1
C	nipples	3
D	canopy	1
E	chain	1

Part	Description	Qty.
F	open ring	1
G	loop	1
H	cable	1
I	naked earth cable	1
J	ceiling loop	1



important safety instructions:

1. We recommend installation by a licensed electrician.
2. To avoid the risk of fire, do not exceed the recommended wattage for this fixture.

warnings:

1. Do not remove the lamp from its packaging by pulling on the power cord, as a bad connection may result.
2. To avoid the risk of fire, electrical shock, or personal injury, turn off lamp and allow it to cool prior to replacing light bulb.
3. Do not touch bulb when fixture is turned on or look directly at lit bulb.
4. Keep flammable materials away from lit bulb.

to assemble:

1. Carefully remove all parts from the box.
2. Remove the mounting bracket (B) from the canopy (D) by loosening the screws (A).
3. Taking off the open ring (F) and use the dimensions of the fixture as a guide, shorten the chain (E) as needed using a pair of chain pliers.
4. Use the open ring (F) to link the chain (E) and the loop (G), then put the cable (H) and naked earth cable (I) through the chain (E) in every 3-4 rings until through the ceiling loop (J).
5. INSURE THE ELECTRICITY SUPPLY IS TURNED OFF.
6. Affix the mounting bracket (B) on the outlet box.
7. Wrap both safety cable with nipples (C), push the cable into the outlet box.
8. Attach the canopy (D) to the mounting bracket (B) and secure with lock collar (A).
9. Install the bulbs on the sockets.
10. Installation is complete, turn on power at fuse or circuit breaker.

care instructions:

Clean with a dry, soft cloth only. Use no harsh abrasives or chemical agents.

parts enclosed:

Part	Description	Qty.
A	nipples	3
C	mounting bracket	1
D	canopy	1
E	screws # E	2

important safety instructions:

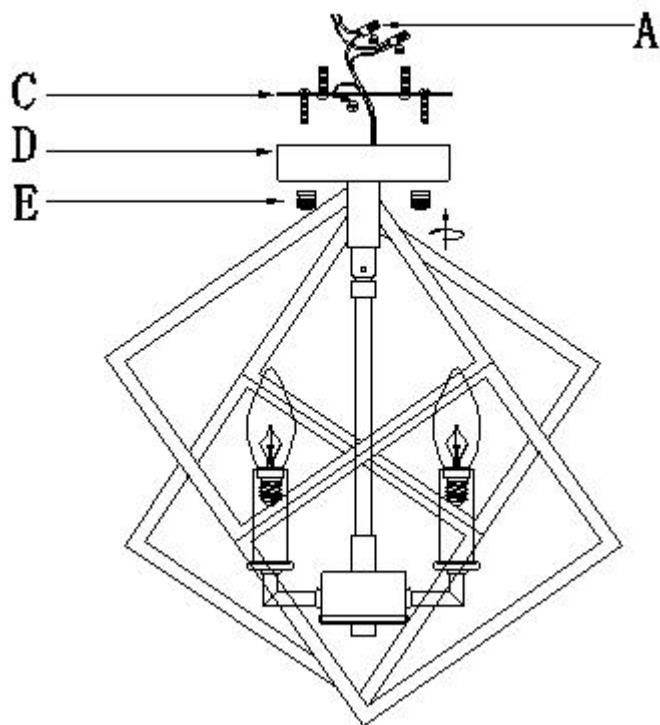
1. We recommend installation by a licensed electrician.
2. To avoid the risk of fire, do not exceed the recommended wattage for this fixture.

warnings:

1. Do not remove the lamp from its packaging by pulling on the power cord, as a bad connection may result.
2. To avoid the risk of fire, electrical shock, or personal injury, turn off lamp and allow it to cool prior to replacing light bulb.
3. Do not touch bulb when fixture is turned on or look directly at lit bulb.
4. Keep flammable materials away from lit bulb.

to assemble:

1. Carefully remove all parts from the box.
2. Remove the mounting bracket (C) from the canopy (D) by loosening the screws (E).
3. INSURE THE ELECTRICITY SUPPLY IS TURNED OFF.
4. Affix the mounting bracket (C) on the outlet box.
5. Wrap both safety cables with nipples (A), push the cable into the outlet box.
6. Attach the canopy (D) to the mounting bracket (C) and secure with screws (E) again.
7. Install the bulbs on the sockets.
8. Installation is complete, turn on power at fuse or circuit breaker.



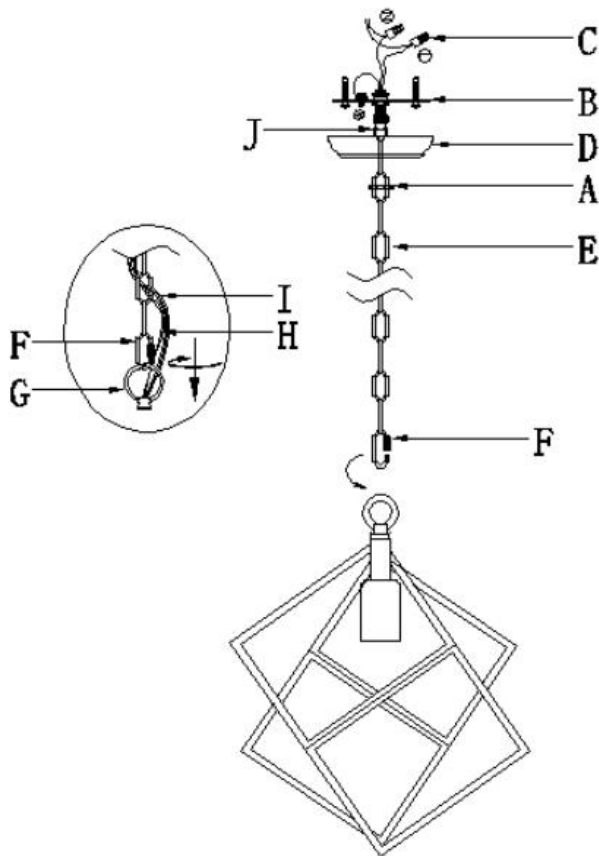
care instructions:

Clean with a dry, soft cloth only. Use no harsh abrasives or chemical agents.

parts enclosed:

Part	Description	Qty.
A	screws	1
B	mounting bracket	1
C	nipples	3
D	canopy	1
E	chain	1

Part	Description	Qty.
F	open ring	1
G	loop	1
H	cable	1
I	naked earth cable	1
J	ceiling loop	1



important safety instructions:

1. We recommend installation by a licensed electrician.
2. To avoid the risk of fire, do not exceed the recommended wattage for this fixture.

warnings:

1. Do not remove the lamp from its packaging by pulling on the power cord, as a bad connection may result.
2. To avoid the risk of fire, electrical shock, or personal injury, turn off lamp and allow it to cool prior to replacing light bulb.
3. Do not touch bulb when fixture is turned on or look directly at lit bulb.
4. Keep flammable materials away from lit bulb.

to assemble:

1. Carefully remove all parts from the box.
2. Remove the mounting bracket (B) from the canopy (D) by loosening the screws (A).
3. Taking off the open ring (F) and use the dimensions of the fixture as a guide, shorten the chain (E) as needed using a pair of chain pliers.
4. Use the open ring (F) to link the chain (E) and the loop (G), then put the cable (H) and naked earth cable (I) through the chain (E) in every 3-4 rings until through the ceiling loop (J).
5. INSURE THE ELECTRICITY SUPPLY IS TURNED OFF.
6. Affix the mounting bracket (B) on the outlet box.
7. Wrap both safety cable with nipples (C), push the cable into the outlet box.
8. Attach the canopy (D) to the mounting bracket (B) and secure with lock collar (A).
9. Install the bulbs on the sockets.
10. Installation is complete, turn on power at fuse or circuit breaker.

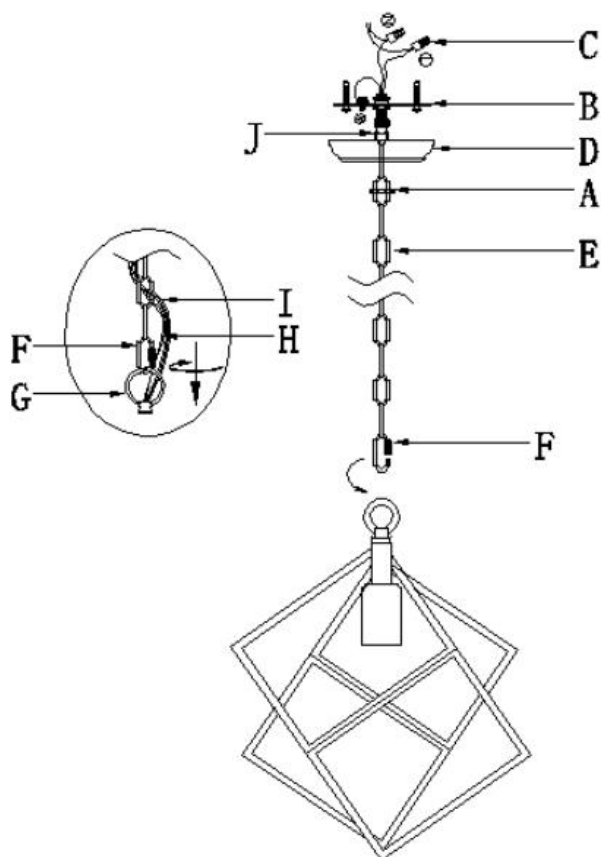
care instructions:

Clean with a dry, soft cloth only. Use no harsh abrasives or chemical agents.

parts enclosed:

Part	Description	Qty.
A	screws	1
B	mounting bracket	1
C	nipples	3
D	canopy	1
E	chain	1

Part	Description	Qty.
F	open ring	1
G	loop	1
H	cord	1
I	naked earth cord	1
J	ceiling loop	1



important safety instructions:

1. We recommend installation by a licensed electrician.
2. To avoid the risk of fire, do not exceed the recommended wattage for this fixture.

warnings:

1. Do not remove the lamp from its packaging by pulling on the power cord, as a bad connection may result.
2. To avoid the risk of fire, electrical shock, or personal injury, turn off lamp and allow it to cool prior to replacing light bulb.
3. Do not touch bulb when fixture is turned on or look directly at lit bulb.
4. Keep flammable materials away from lit bulb.

to assemble:

1. Carefully remove all parts from the box.
2. Remove the mounting bracket (B) from the canopy (D) by loosening the screws (A).
3. Taking off the open ring (F) and use the dimensions of the fixture as a guide, shorten the chain (E) as needed using a pair of chain pliers.
4. Use the open ring (F) to link the chain (E) and the loop (G), then put the cord (H) and naked earth cord (I) through the chain (E) in every 3-4 rings until through the ceiling loop (J).
5. INSURE THE ELECTRICITY SUPPLY IS TURNED OFF.
6. Affix the mounting bracket (B) on the outlet box.
7. Wrap both safety cord with nipples (C), push the cord into the outlet box.
8. Attach the canopy (D) to the mounting bracket (B) and secure with lock collar (A).
9. Install the bulbs on the sockets.
10. Installation is complete, turn on power at fuse or circuit breaker.

care instructions:

Clean with a dry, soft cloth only. Use no harsh abrasives or chemical agents.

parts enclosed:

Part	Description	Qty.
A	nipples	3
C	mounting bracket	1
D	canopy	1
E	screws # E	2

important safety instructions:

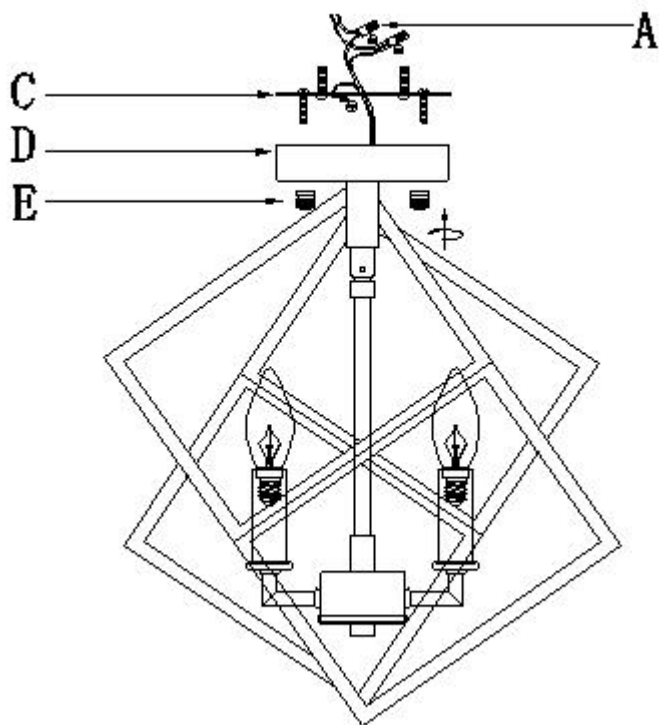
1. We recommend installation by a licensed electrician.
2. To avoid the risk of fire, do not exceed the recommended wattage for this fixture.

warnings:

1. Do not remove the lamp from its packaging by pulling on the power cord, as a bad connection may result.
2. To avoid the risk of fire, electrical shock, or personal injury, turn off lamp and allow it to cool prior to replacing light bulb.
3. Do not touch bulb when fixture is turned on or look directly at lit bulb.
4. Keep flammable materials away from lit bulb.

to assemble:

1. Carefully remove all parts from the box.
2. Remove the mounting bracket (C) from the canopy (D) by loosening the screws (E).
3. INSURE THE ELECTRICITY SUPPLY IS TURNED OFF.
4. Affix the mounting bracket (C) on the outlet box.
5. Wrap both safety cables with nipples (A), push the cable into the outlet box.
6. Attach the canopy (D) to the mounting bracket (C) and secure with screws (E) again.
7. Install the bulbs on the sockets.
8. Installation is complete, turn on power at fuse or circuit breaker.

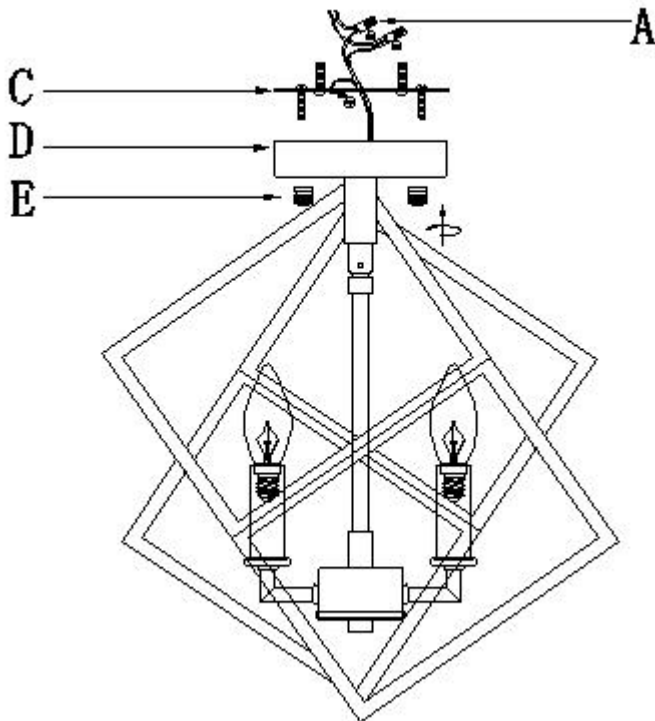


care instructions:

Clean with a dry, soft cloth only. Use no harsh abrasives or chemical agents.

parts enclosed:

Part	Description	Qty.
A	nipples	3
C	mounting bracket	1
D	canopy	1
E	screws # E	2



important safety instructions:

1. We recommend installation by a licensed electrician.
2. To avoid the risk of fire, do not exceed the recommended wattage for this fixture.

warnings:

1. Do not remove the lamp from its packaging by pulling on the power cord, as a bad connection may result.
2. To avoid the risk of fire, electrical shock, or personal injury, turn off lamp and allow it to cool prior to replacing light bulb.
3. Do not touch bulb when fixture is turned on or look directly at lit bulb.
4. Keep flammable materials away from lit bulb.

to assemble:

1. Carefully remove all parts from the box.
2. Remove the mounting bracket (C) from the canopy (D) by loosening the screws (E).
3. INSURE THE ELECTRICITY SUPPLY IS TURNED OFF.
4. Affix the mounting bracket (C) on the outlet box.
5. Wrap both safety cables with nipples (A), push the cable into the outlet box.
6. Attach the canopy (D) to the mounting bracket (C) and secure with screws (E) again.
7. Install the bulbs on the sockets.
8. Installation is complete, turn on power at fuse or circuit breaker.

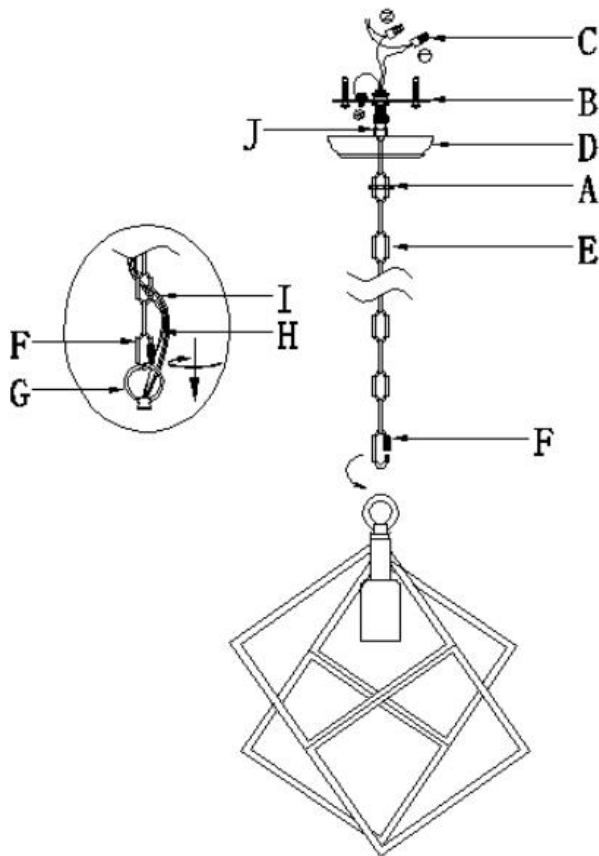
care instructions:

Clean with a dry, soft cloth only. Use no harsh abrasives or chemical agents.

parts enclosed:

Part	Description	Qty.
A	screws	1
B	mounting bracket	1
C	nipples	3
D	canopy	1
E	chain	1

Part	Description	Qty.
F	open ring	1
G	loop	1
H	cable	1
I	naked earth cable	1
J	ceiling loop	1



important safety instructions:

1. We recommend installation by a licensed electrician.
2. To avoid the risk of fire, do not exceed the recommended wattage for this fixture.

warnings:

1. Do not remove the lamp from its packaging by pulling on the power cord, as a bad connection may result.
2. To avoid the risk of fire, electrical shock, or personal injury, turn off lamp and allow it to cool prior to replacing light bulb.
3. Do not touch bulb when fixture is turned on or look directly at lit bulb.
4. Keep flammable materials away from lit bulb.

to assemble:

1. Carefully remove all parts from the box.
2. Remove the mounting bracket (B) from the canopy (D) by loosening the screws (A).
3. Taking off the open ring (F) and use the dimensions of the fixture as a guide, shorten the chain (E) as needed using a pair of chain pliers.
4. Use the open ring (F) to link the chain (E) and the loop (G), then put the cable (H) and naked earth cable (I) through the chain (E) in every 3-4 rings until through the ceiling loop (J).
5. INSURE THE ELECTRICITY SUPPLY IS TURNED OFF.
6. Affix the mounting bracket (B) on the outlet box.
7. Wrap both safety cable with nipples (C), push the cable into the outlet box.
8. Attach the canopy (D) to the mounting bracket (B) and secure with lock collar (A).
9. Install the bulbs on the sockets.
10. Installation is complete, turn on power at fuse or circuit breaker.

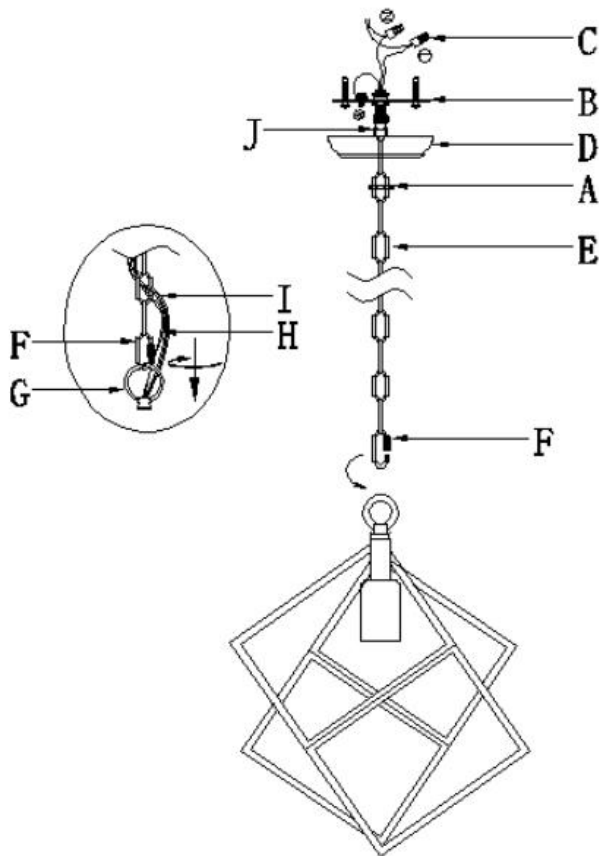
care instructions:

Clean with a dry, soft cloth only. Use no harsh abrasives or chemical agents.

parts enclosed:

Part	Description	Qty.
A	screws	1
B	mounting bracket	1
C	nipples	3
D	canopy	1
E	chain	1

Part	Description	Qty.
F	open ring	1
G	loop	1
H	cable	1
I	naked earth cable	1
J	ceiling loop	1



important safety instructions:

1. We recommend installation by a licensed electrician.
2. To avoid the risk of fire, do not exceed the recommended wattage for this fixture.

warnings:

1. Do not remove the lamp from its packaging by pulling on the power cord, as a bad connection may result.
2. To avoid the risk of fire, electrical shock, or personal injury, turn off lamp and allow it to cool prior to replacing light bulb.
3. Do not touch bulb when fixture is turned on or look directly at lit bulb.
4. Keep flammable materials away from lit bulb.

to assemble:

1. Carefully remove all parts from the box.
2. Remove the mounting bracket (B) from the canopy (D) by loosening the screws (A).
3. Taking off the open ring (F) and use the dimensions of the fixture as a guide, shorten the chain (E) as needed using a pair of chain pliers.
4. Use the open ring (F) to link the chain (E) and the loop (G), then put the cable (H) and naked earth cable (I) through the chain (E) in every 3-4 rings until through the ceiling loop (J).
5. INSURE THE ELECTRICITY SUPPLY IS TURNED OFF.
6. Affix the mounting bracket (B) on the outlet box.
7. Wrap both safety cable with nipples (C), push the cable into the outlet box.
8. Attach the canopy (D) to the mounting bracket (B) and secure with lock collar (A).
9. Install the bulbs on the sockets.
10. Installation is complete, turn on power at fuse or circuit breaker.

care instructions:

Clean with a dry, soft cloth only. Use no harsh abrasives or chemical agents.

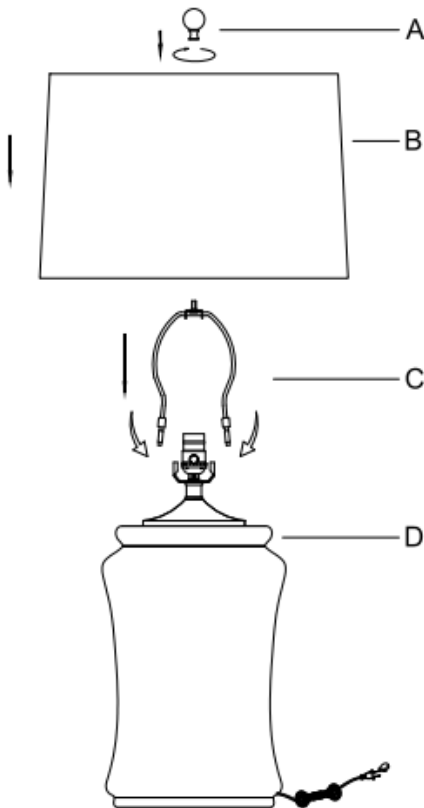
Ghent White Crackle Table Lamp

ARHAUS®

your home

parts enclosed:

A	Finial	1
B	Shade	1
C	Harp	1



important safety instructions:

This portable lamp has a polarized plug (one blade is wider than the other) as a safety feature to reduce the risk of electric shock. This plug will fit in a polarized outlet only one way. If the plug does not fit fully in the outlet, reverse the plug. If it still does not fit, contact a qualified electrician. Never use with an extension cord unless plug can be fully inserted. Do not attempt to defeat this safety feature.

warnings:

1. To reduce the risk of fire, electrical shock or personal injury, always turn off and unplug the lamp and allow it to cool prior to replacing bulbs.
2. Do not touch the bulbs when the lamp is turned on. Do not look directly at lit bulbs.
3. Keep flammable materials away from lit bulbs.
4. Remove clear shade cover prior to use.
5. This portable lamp is meant for indoor use, dry locations only.
6. This lamp has been rated for up to ONE (1) 3-way 100-watt maximum TYPE A standard incandescent light bulb (not included). To avoid the risk of fire, do not exceed the recommended wattage.
7. Save these instructions.

to assemble:

1. Unpack all parts from carton carefully.
2. Insert the Harp (C) into the Saddle (D) and lower the harp caps until they cover the two-pronged Saddle (D).
3. Unscrew the Finial (A) from the harp top. Place the Shade (B) over the assembled Harp (C), making sure the harp top extends through the hole at the top of the Lamp Shade.
4. Attach the Finial (A) onto the harp top and tighten to secure the Lamp Shade (B).
5. Insert ONE (1) 3-way 100-watt maximum TYPE A standard incandescent light bulb into the socket (not included). **DO NOT EXCEED SPECIFIED WATTAGE.**
6. Remove Protective Plastic from Electrical Plug.
7. Plug the lamp into proper electrical outlet and test this lamp.

care instructions:

1. Wipe clean with a soft, dry cloth or static duster.
2. Always avoid the use of harsh chemicals or abrasive cleaners as they may cause damage to the lamp's finish.

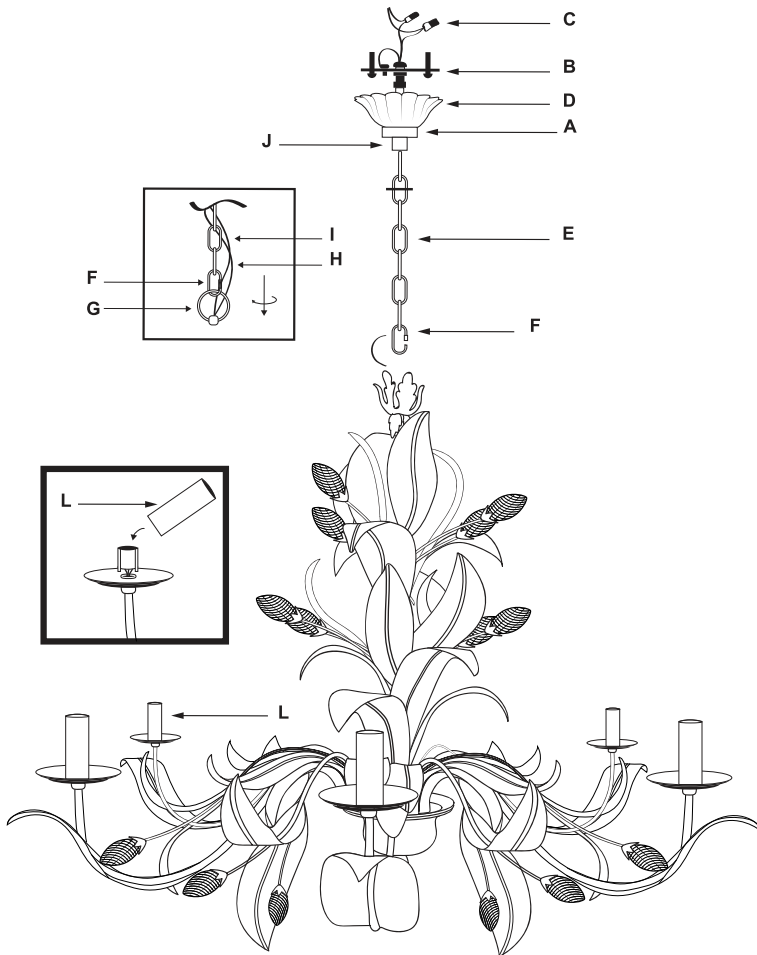
Made in China

PARTS INVENTORY

Super Category	Product ID	Description	Stat	Collection	Route
LIGHTING	91594GHETLF	GHENT TABLE LAMP FINIAL RUSTIC BLACK FINIAL	A	PT-GHENT	PART
LIGHTING	91594GHETLH	GHENT TABLE LAMP HARP 10.5" BRASS HARP	A	PT-GHENT	PART
LIGHTING	91594GHETLSH	GHENT TABLE LAMP SHADE LINEN SHADE REPLACEMENT	A	PT-GHENT	

parts enclosed:

Part	Description	Qty.	Part	Description	Qty.
A	Lock collar	1	H	Cable	1
B	Mounting Bracket	1	I	Naked Earth Cable	1
C	Nipples	3	J	Ceiling Loop	1
D	Canopy	1	K	Crystal	24
E	Chain	1	L	Candle Sleeve	6
F	Open Ring	1			
G	Loop	1			



Carefully crafted by Italian artisans, this product is entirely made by hand. Individual pieces may vary in color, pattern, shape, and texture, making each truly unique.

important safety instructions:

1. We recommend installation by a licensed electrician.
2. To avoid the risk of fire, do not exceed the recommended wattage for this fixture.

UL NO: 303391, UL RATING: DRY, BULB WATTAGE MAX 60W
BULB : 1x TYPE (NOT INCLUDED)

warnings:

1. Do not remove the lamp from its packaging by pulling on the power cord, as a bad connection may result.
2. To avoid the risk of fire, electrical shock, or personal injury, turn off lamp and allow it to cool prior to replacing light bulb.
3. Do not touch bulb when fixture is turned on or look directly at lit bulb.
4. Keep flammable materials away from lit bulb.

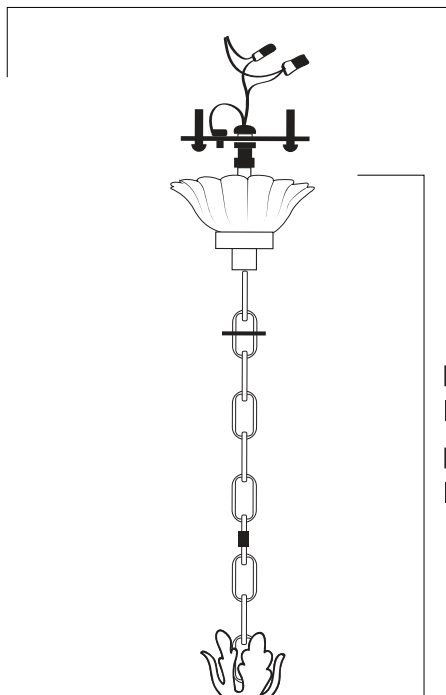
to assemble:

1. Carefully remove all parts from the box.
2. Remove the mounting bracket (B) from the canopy (D) by loosening the lock collar (A)
3. Take off the open ring (F) and use the dimensions of the fixture as a guide, shorten the chain (E) as needed using a pair of chain pliers.
4. Use the open ring (F) to link the chain (E) and the loop (G), put the cable (H) and naked earth cable (I) through the chain (E) in every 3- 4 rings until through the ceiling loop (J).
5. INSURE THE ELECTRICITY SUPPLY IS TURNED OFF.
6. Affix the mounting bracket (B) on the outlet box.
7. Wrap both safety cable with nipples (C), push the cable into the outlet box.
8. Attach the canopy (D) to the mounting bracket (B) and secure with lock collar (A).
9. Insert the Candle Sleeve (L) on light bulb holders
10. Install the bulbs inside Candle Sleeve.
11. Installation is complete, turn on power at fuse or circuit breaker.

care instructions:

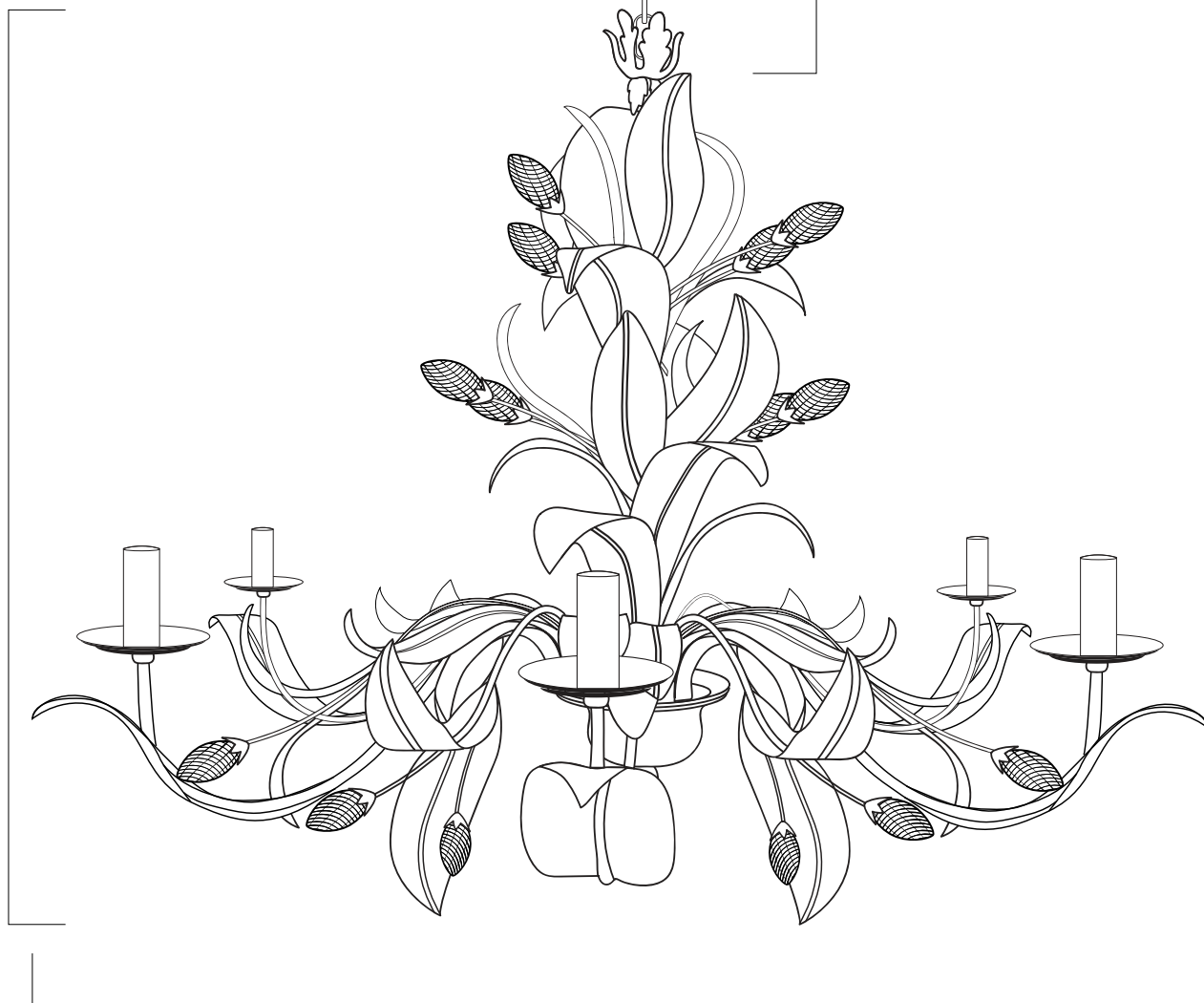
1. Clean with a dry, soft cloth only. Do not use any harsh abrasives or chemical agents.

Ø 45 cm
Inches 17,71



Max 278 cm
Inches 109,84
Min 87 cm
Inches 34,25

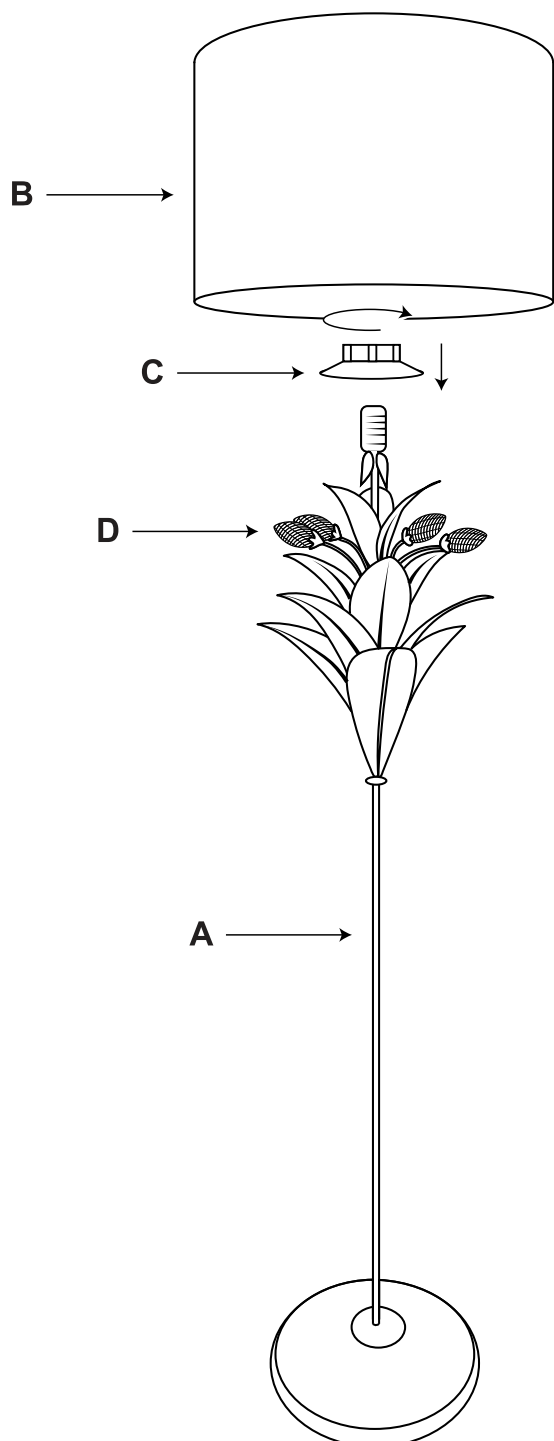
74 cm
Inches 29,13



Ø 102 cm
Inches 40,55

parts enclosed:

Part	Description	Qty.
A	Floor lamp	1
B	Shade	1
C	Threaded Collar	1
D	Crystals	6



important safety instructions:

1. To avoid the risk of fire, do not exceed the recommended wattage for this fixture.

UL NO: 303392, UL RATING: DRY, BULB WATTAGE MAX 60W
BULB : 1x TYPE (NOT INCLUDED)

warnings:

1. Do not remove the lamp from its packaging by pulling on the power cord, as a bad connection may result.
2. To avoid the risk of fire, electrical shock, or personal injury, turn off lamp and allow it to cool prior to replacing light bulb.
3. Do not touch bulb when fixture is turned on or look directly at lit bulb.
4. Keep flammable materials away from lit bulb.

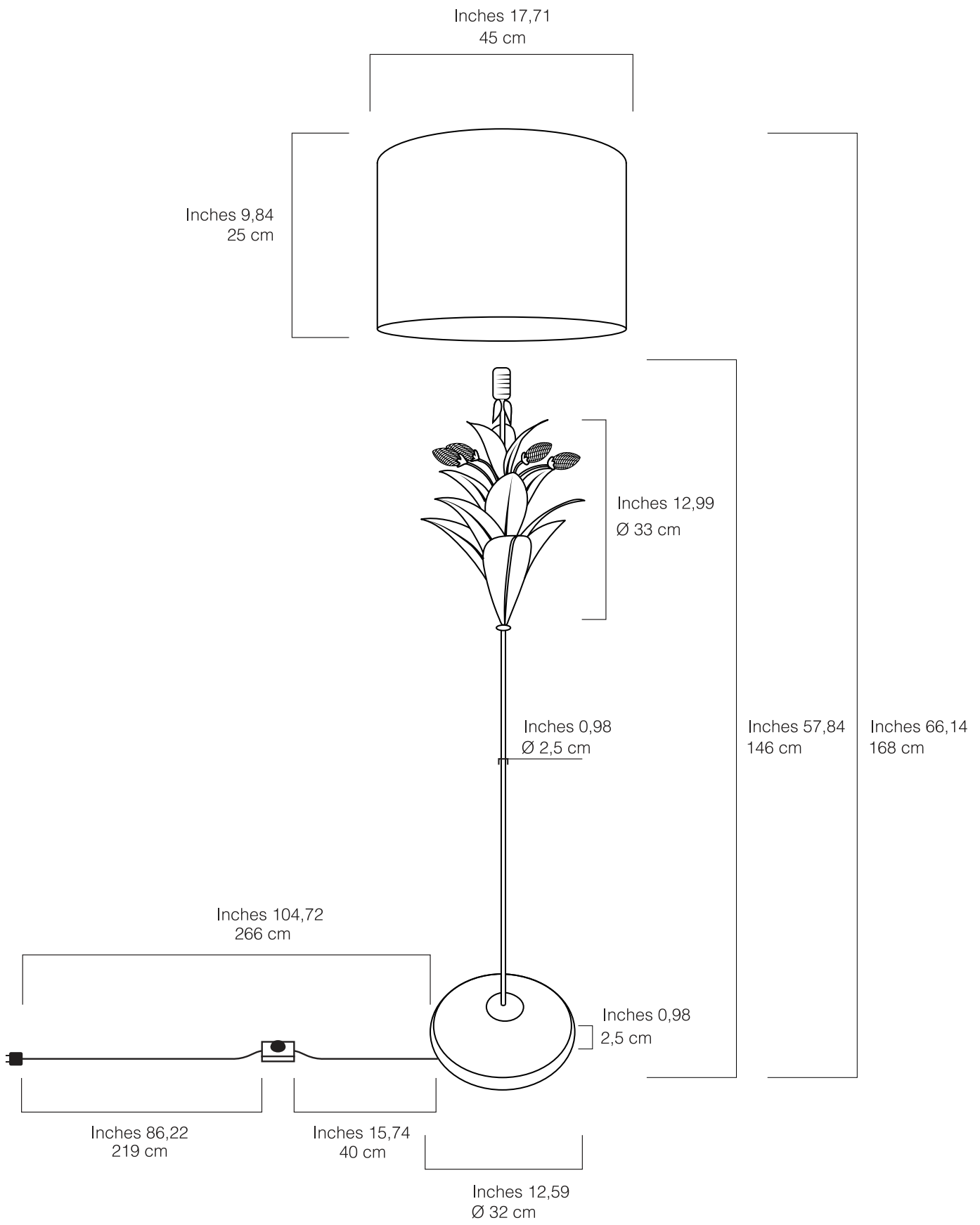
to assemble:

1. Carefully remove all parts from the box and remove all protective coverings.
2. Unscrew threaded collar (C) from the socket bulb of the floor lamp (A)
3. Place the Shade (B) on the socket bulb, and tighten threaded collar (C).
4. Restore power to the circuit breaker and test lamp fixture.

care instructions:

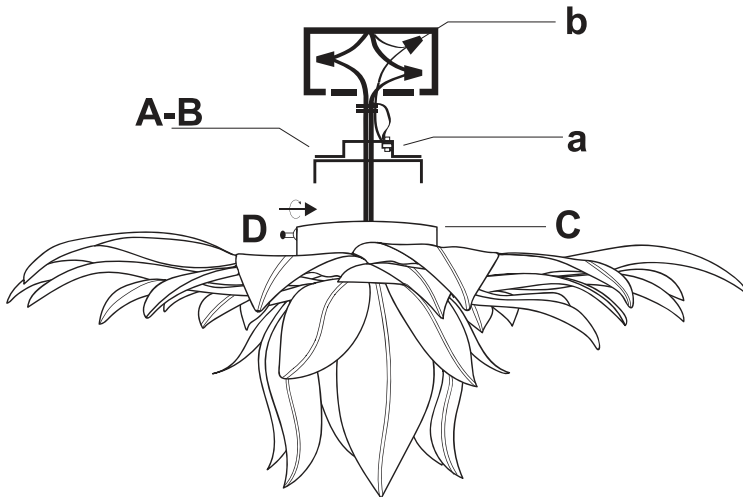
1. Clean with a dry, soft cloth only. Do not use any harsh abrasives or chemical agents.

Carefully crafted by Italian artisans, this product is entirely made by hand. Individual pieces may vary in color, pattern, shape, and texture, making each truly unique.



parts enclosed:

Part	Description	Qty.	Part	Description	Qty.
A-B	Mounting bracket	1	a	Green ground screw	1
C	Canopy	1	b	Plastic wire connectors	3
D	Canopy Screws	2			



Carefully crafted by Italian artisans, this product is entirely made by hand. Individual pieces may vary in color, pattern, shape, and texture, making each truly unique.

important safety instructions:

1. We recommend installation by a licensed electrician.
2. To avoid the risk of fire, do not exceed the recommended wattage for this fixture.

UL NO: 303391, UL RATING: DRY, BULB WATTAGE MAX 60W
BULB : 1x TYPE (NOT INCLUDED)

warnings:

1. Do not remove the lamp from its packaging by pulling on the power cord, as a bad connection may result.
2. To avoid the risk of fire, electrical shock, or personal injury, turn off lamp and allow it to cool prior to replacing light bulb.
3. Do not touch bulb when fixture is turned on or look directly at lit bulb.
4. Keep flammable materials away from lit bulb.

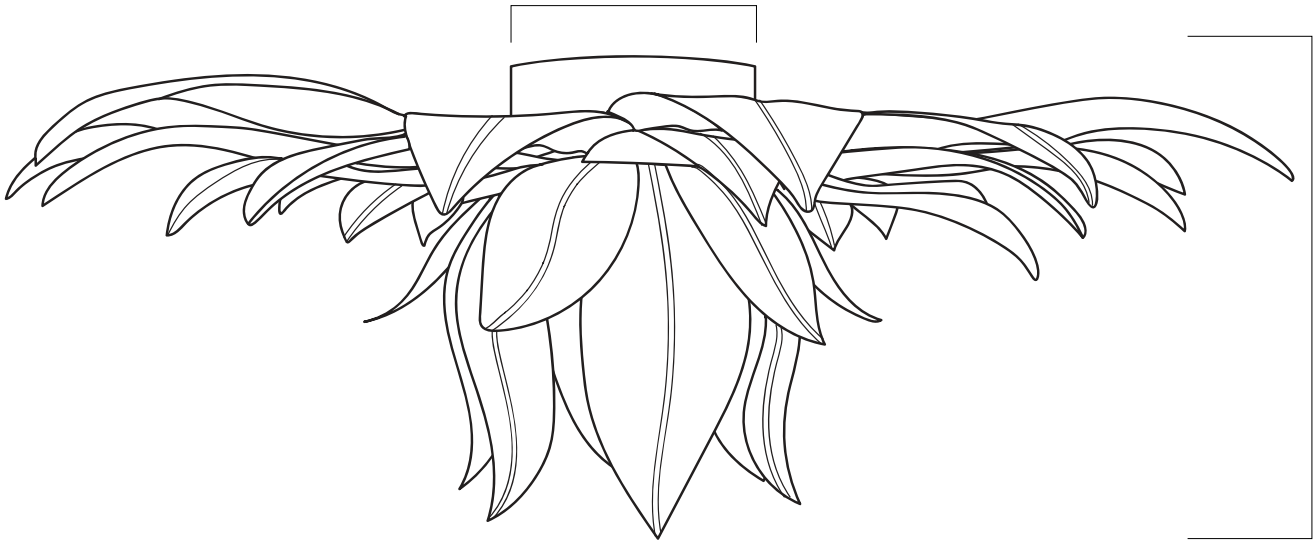
to assemble:

1. Carefully remove all parts from the box.
2. Shut OFF power to the junction from the main fuse box/circuit breaker where the fixture will be installed.
3. Separate mounting brackets (A-B) from canopy (C) by unscrewing all two canopy screws (D). Attach mounting brackets (A-B) to the outlet box.
4. Connect the hot wire on the fixture to the hot outlet box wire (usually black) with a plastic wire connector (b) and wrap the connection with electrical tape.
5. Connect the neutral wire on the fixture to the neutral outlet box wire (usually white) with a plastic wire connector (b) and wrap the connection with electrical tape.
6. Attach the ground wire from the fixture to the ground junction box wire from the outlet box (usually green) Or wrap the ground wire around the green ground screw (a).
7. Tuck the wire connectons neatly into the ceiling outlet box.
8. Raise the fixture and attach the canopy (C) to the mounting bracket (B). Use the canopy screws (D) to secure the canopy (C).
9. Insert the recommended bulbs (not included) into the sockets.
10. Restore power to the junction box and test the fixture.
11. Installation is complete.

care instructions:

1. Clean with a dry, soft cloth only. Do not use any harsh abrasives or chemical agents.

∅ 12 cm
Inches 4,72

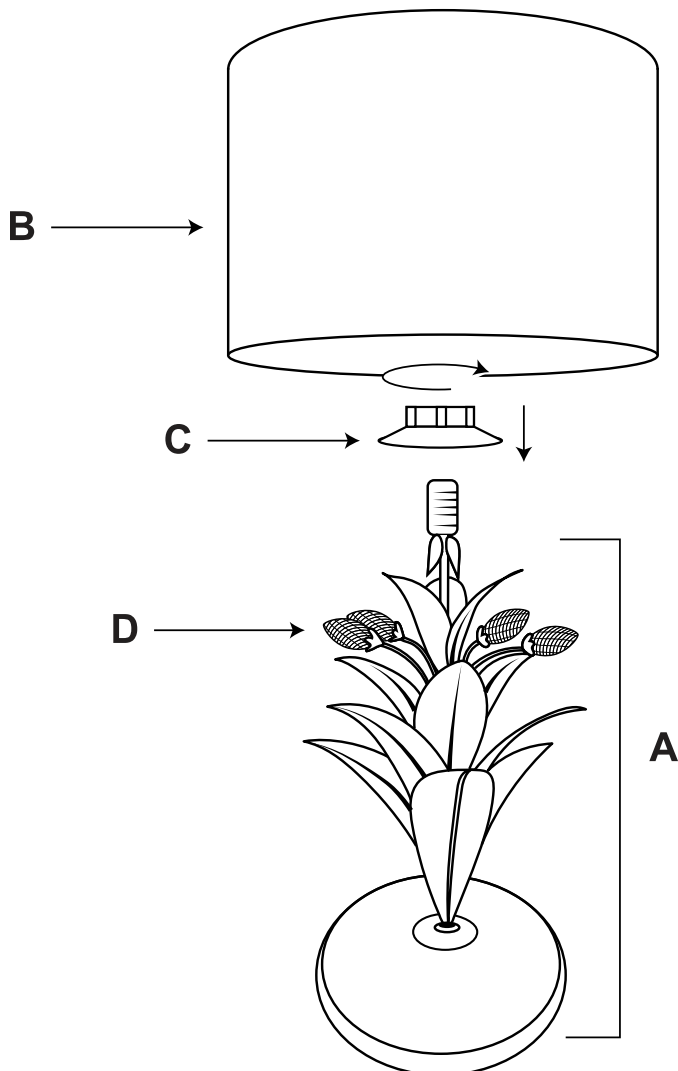


21 cm
Inches 8,26

∅ 60 cm
Inches 23,62

parts enclosed:

Part	Description	Qty.
A	Table lamp base	1
B	Shade	1
C	Threaded Collar	1
D	Crystals	6



important safety instructions:

1. To avoid the risk of fire, do not exceed the recommended wattage for this fixture.

UL NO: 303392, UL RATING: DRY, BULB WATTAGE MAX 60W
BULB : 1x TYPE (NOT INCLUDED)

warnings:

1. Do not remove the lamp from its packaging by pulling on the power cord, as a bad connection may result.
2. To avoid the risk of fire, electrical shock, or personal injury, turn off lamp and allow it to cool prior to replacing light bulb.
3. Do not touch bulb when fixture is turned on or look directly at lit bulb.
4. Keep flammable materials away from lit bulb.

to assemble:

1. Carefully remove all parts from the box and remove all protective coverings.
2. Unscrew threaded collar (C) from the socket of the table lamp (A)
3. Place the Shade (B) on the socket, and tighten threaded collar (C).
4. Restore power to the circuit breaker and test lamp fixture.

care instructions:

1. Clean with a dry, soft cloth only. Do not use any harsh abrasives or chemical agents.

Carefully crafted by Italian artisans, this product is entirely made by hand. Individual pieces may vary in color, pattern, shape, and texture, making each truly unique.

parts enclosed:

A	Finial	1
B	Lamp Shade	1
C	Harp	1

important safety instructions:

1. To avoid the risk of fire, do not exceed the recommended wattage.
2. This portable lamp has a polarized plug (one blade is wider than the other) as a safety feature to reduce the risk of electric shock. This plug will fit in a polarized outlet only one way. If the plug does not fit fully in the outlet, reverse the plug. If it still does not fit, contact a qualified electrician. Never use with an extension cord unless plug can be fully inserted. Do not attempt to defeat this safety feature.

warnings:

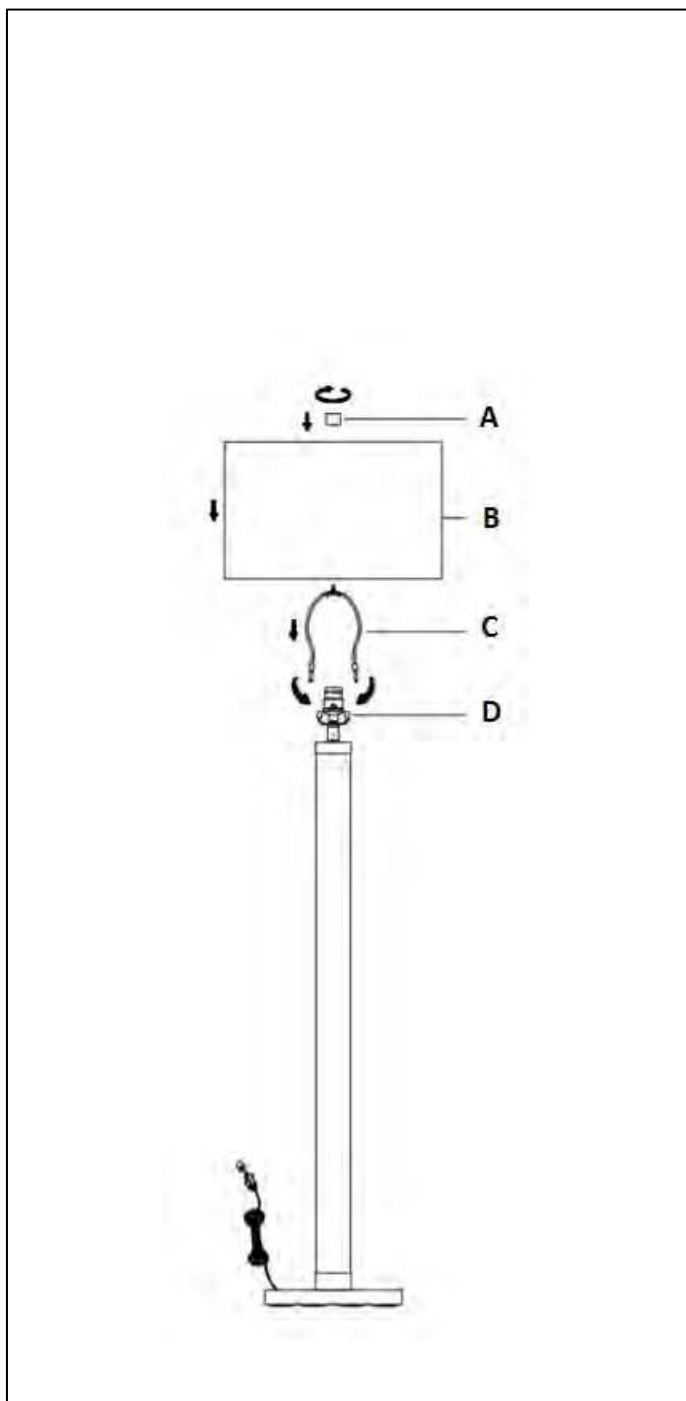
1. Do not remove the lamp from packaging by pulling on the power cord, as a bad connect may result.
2. To reduce the risk of fire, electrical shock or personal injury, turn off lamp and allow it to cool prior to replacing light bulb.
3. Do not touch the bulb when the lamp is turned on or look directly at lit bulb.
4. Keep flammable materials away from lit bulb.
5. Remove clear shade cover prior to use.
6. This portable lamp is meant for indoor use, dry locations only.
7. This lamp has been rated for up to one (1) 100-Watt maximum Type A standard medium base incandescent light bulb (not included) or one (1) 23-watt compact fluorescent light bulb (not included) or one (1) 20-Watt LED light bulb (not included).
8. Save these instructions.

to assemble:

1. Unpack all parts from carton carefully.
2. Insert the Harp (C) into the Saddle (D) and lower the harp caps until they cover the two-pronged Saddle (D).
3. Unscrew the Finial (A) from the harp top. Place the Shade (B) over the assembled Harp (C), making sure the harp top extends through the hole at the top of the Lamp Shade.
4. Attach the Finial (A) onto the harp top and tighten to secure the Lamp Shade (B).
5. Insert ONE (1) 100-watt maximum TYPE A standard medium base incandescent light bulb (not included), or ONE (1) 23-watt maximum compact fluorescent light bulb (not included), or ONE (1) 20-watt maximum LED light bulb (not included) into the socket.
6. Remove Protective Plastic from Electrical Plug.
7. Plug the lamp into proper electrical outlet and test this lamp.

care instructions:

1. Wipe clean with a soft, dry cloth or static duster.
2. Always avoid the use of harsh chemicals or abrasive cleaners as they may cause damage to the lamp's finish.



parts enclosed:

A	Finial	1
B	Lamp Shade	1
C	Harp	1

important safety instructions:

1. To avoid the risk of fire, do not exceed the recommended wattage.
2. This portable lamp has a polarized plug (one blade is wider than the other) as a safety feature to reduce the risk of electric shock. This plug will fit in a polarized outlet only one way. If the plug does not fit fully in the outlet, reverse the plug. If it still does not fit, contact a qualified electrician. Never use with an extension cord unless plug can be fully inserted. Do not attempt to defeat this safety feature.

warnings:

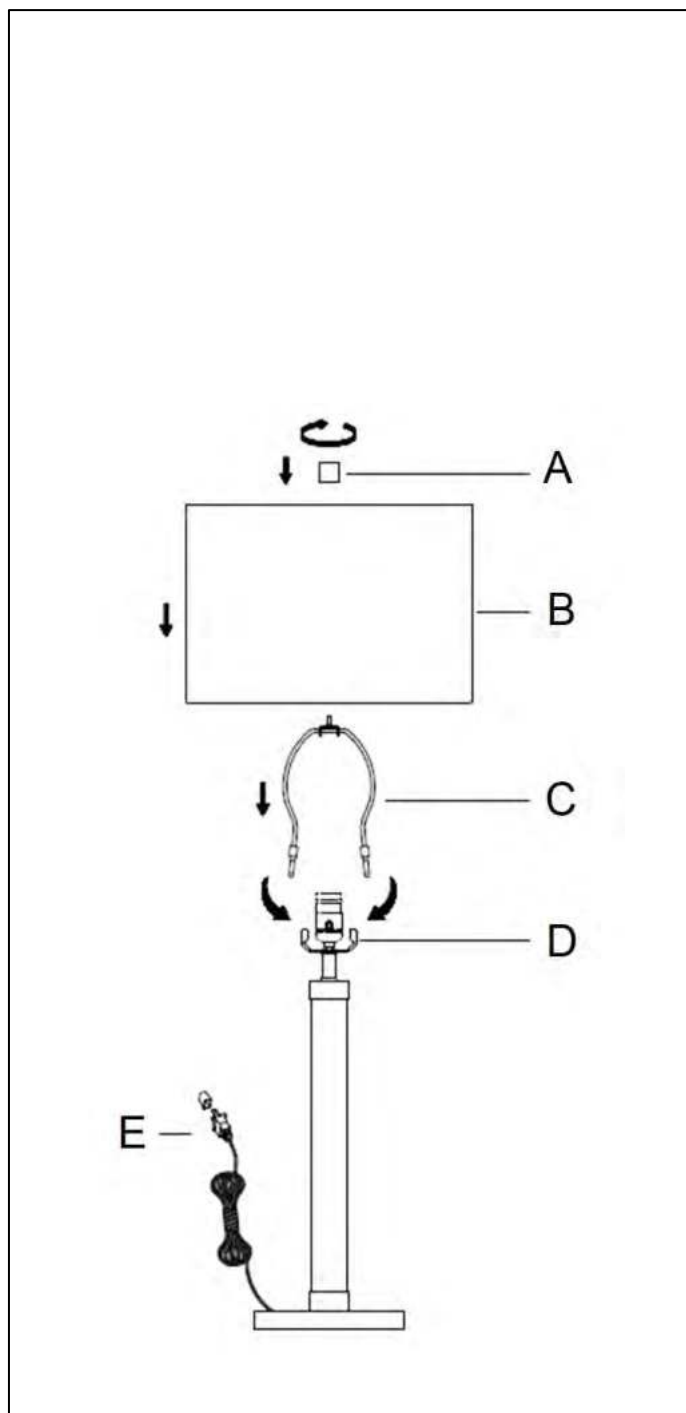
1. Do not remove the lamp from packaging by pulling on the power cord, as a bad connect may result.
2. To reduce the risk of fire, electrical shock or personal injury, turn off lamp and allow it to cool prior to replacing light bulb.
3. Do not touch the bulb when the lamp is turned on or look directly at lit bulb.
4. Keep flammable materials away from lit bulb.
5. Remove clear shade cover prior to use.
6. This portable lamp is meant for indoor use, dry locations only.
7. This lamp has been rated for up to one (1) 100-Watt maximum Type A standard medium base incandescent light bulb (not included) or one (1) 23-watt compact fluorescent light bulb (not included) or one (1) 20-Watt LED light bulb (not included).
8. Save these instructions.

to assemble:



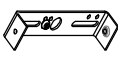






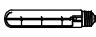
1. Unpack all parts from carton carefully.
2. Insert the Harp (C) into the Saddle (D) and lower the harp caps until they cover the two-pronged Saddle (D).
3. Unscrew the Finial (A) from the harp top. Place the Shade (B) over the assembled Harp (C), making sure the harp top extends through the hole at the top of the Lamp Shade.
4. Attach the Finial (A) onto the harp top and tighten to secure the Lamp Shade (B).
5. Insert ONE (1) 100-watt maximum TYPE A standard medium base incandescent light bulb (not included), or ONE (1) 23-watt maximum compact fluorescent light bulb (not included), or ONE (1) 20-watt maximum LED light bulb (not included) into the socket.
6. Remove Protective Plastic from Electrical Plug.
7. Plug the lamp into proper electrical outlet and test this lamp.

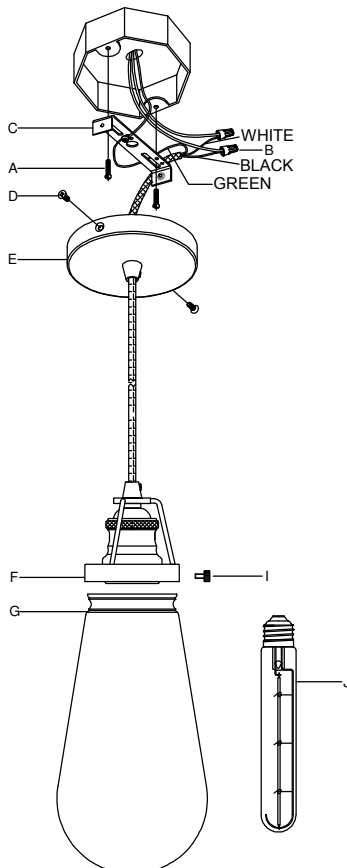
care instructions:

1. Wipe clean with a soft, dry cloth or static duster.
2. Always avoid the use of harsh chemicals or abrasive cleaners as they may cause damage to the lamp's finish.



parts enclosed:

ITEM	DIAGRAM	DESCRIPTION	QTY
(A)		Mounting screw	2
(B)		Wire connectors	3
(C)		Mounting plate & green ground	1
(D)		Steel screw	2
(E)		Canopy	1
(F)		Shade cap	1
(G)		Shade	1
(H)		Tool	1
(I)		Thumb screw	3
(J)		Bulb (Not included)	1



important safety instructions:

1. We recommend installation by a licensed electrician.
2. To avoid the risk of fire, do not exceed the recommended wattage for this fixture.

warnings:

1. Do not remove the lamp from its packaging by pulling on the power cord, as a bad connection may result.
2. To avoid the risk of fire, electrical shock, or personal injury, turn off lamp and allow it to cool prior to replacing light bulb.
3. Do not touch bulb when fixture is turned on or look directly at lit bulb.
4. Keep flammable materials away from lit bulb.

to assemble:

1. Carefully remove all parts from the box and remove all protective coverings.
2. Turn OFF power to the junction box where the lamp will be installed.
3. Install Mounting plate (C) to the Junction box with Mounting screws (A).
4. Pull the ground wire from ceiling outlet box, and attach ground wire (usually green or bare wire) from ceiling box to ground wire on Mounting Plate (C) with a screw.
5. Attach positive wire from ceiling (usually black or smooth) to positive wire on fixture with a Wire Connector (B) and wrap this connector with electrical tape.
6. Attach neutral wire from ceiling box (usually white or ribbed) with neutral wire on the fixture with a Wire Connector (B), and wrap this connector with electrical tape.
7. Install Canopy (E) with Mounting plate (C) by use Steel screws (D).
8. Secure Shade (G) by install Thumb screws (I) to the Shade cup (F).
9. Insert the light bulbs (I).
10. Restore power to the junction box and test ceiling light fixture.
11. The height can be adjusted by using Tool (H).

care instructions:

Do not use polishes or cleaners on your pendant.

WIPE WITH A CLEAN SOFT CLOTH

LARGE GLOBE PENDANT

parts enclosed:

- A. Screws (2)
- B. Plastic Wire Nuts (2)

important safety instructions:

1. Professional installation recommended.
2. To avoid the risk of fire, do not exceed the recommended wattage for this fixture.

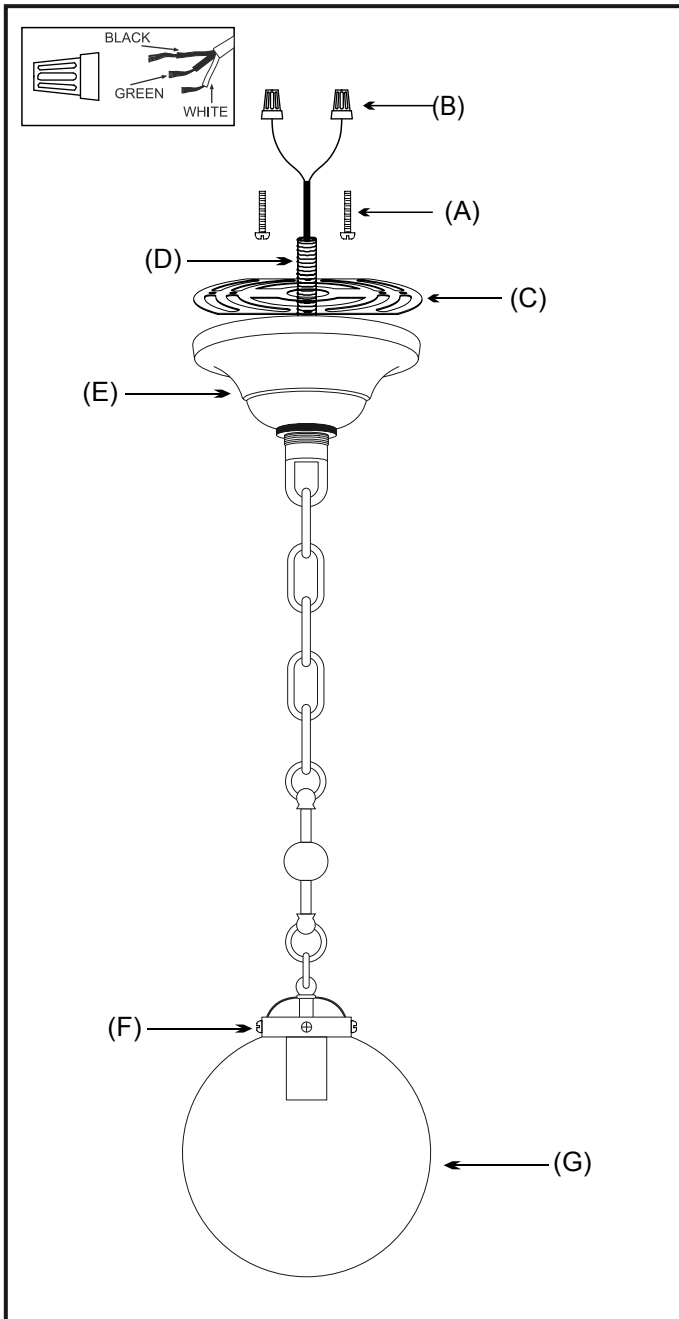
UL NO: E178419, UL RATING: DRY, MAX BULB WATTAGE: 40 W
 CONVERSION TO MAX LED WATTAGE: 9 W
 BULB: 1 X A-19 (NOT INCLUDED)

warnings:

1. Do not remove the lamp from its packaging by pulling on the power cord, as a bad connection may result.
2. To avoid the risk of fire, electrical shock, or personal injury, turn off lamp and allow it to cool prior to replacing light bulb.
3. Do not touch bulb when fixture is turned on or look directly at lit bulb.
4. Keep flammable materials away from lit bulb.
5. Be sure to shut off power at the main fuse before installing the fixture.
6. Make sure all 3 screws are tighten properly and evenly to secure the Glass ball with Pendant cap.

to assemble:

1. Carefully remove all parts and hardware from the carton
2. Place the universal mounting bracket (C) over the outlet box using given screw (A).
3. Gently pull the house wiring (white, black and copper ground wire) out of the electrical outlet box.
4. Using the plastic wire nuts (B) attached the ribbed wire to the white "neutral" house wire and the non-ribbed wire to the black "hot" house wire. Connect the braided copper ground wire to the green ground screw marked "GND" on the mounting strip. It is imperative that the outlet box in your home be properly grounded.
5. Gently tuck the wire connectors nearly in to the wall outlet box.
6. Fit the canopy onto the universal mounting bracket (C) and secure with the supplied threaded nipple (D).
7. Insert 1 x A19 bulb into the pendant socket and make sure they do not exceed the maximum wattage specified on the wattage label.
8. Then attach the glass ball (G) with pendant cap and tighten it with the given screws (F). Make sure all 3 screws are tighten properly and evenly to secure the Glass ball with Pendant cap.
9. Restore power to the ceiling outlet.

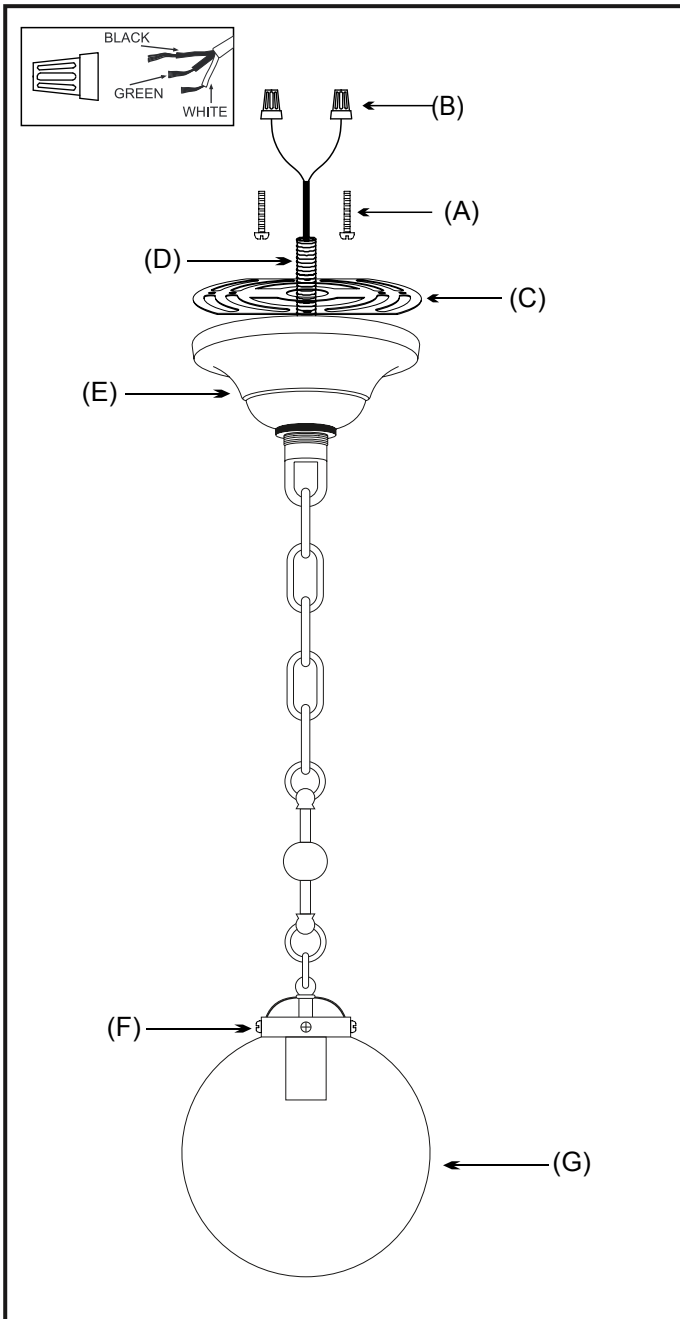
**care instructions:**

Wipe with a soft dry cloth. To protect finish, avoid the use of chemicals and household cleaners.

SMALL GLOBE PENDANT

parts enclosed:

- A. Screws (2)
- B. Plastic Wire Nuts (2)



important safety instructions:

1. Professional installation recommended.
2. To avoid the risk of fire, do not exceed the recommended wattage for this fixture.

UL NO: E178419, UL RATING : DRY, MAX BULB WATTAGE: 40 W
 CONVERSION TO MAX LED WATTAGE: 6 W
 BULB: 1 X B-10 (NOT INCLUDED)

warnings:

1. Do not remove the lamp from its packaging by pulling on the power cord, as a bad connection may result.
2. To avoid the risk of fire, electrical shock, or personal injury, turn off lamp and allow it to cool prior to replacing light bulb.
3. Do not touch bulb when fixture is turned on or look directly at lit bulb.
4. Keep flammable materials away from lit bulb.
5. Be sure to shut off power at the main fuse before installing the fixture.
6. Make sure all 3 screws are tighten properly and evenly to secure the Glass ball with Pendant cap.

to assemble:

1. Carefully remove all parts and hardware from the carton
2. Place the universal mounting bracket (C) over the outlet box using given screw (A).
3. Gently pull the house wiring (white, black and copper ground wire) out of the electrical outlet box.
4. Using the plastic wire nuts (B) attached the ribbed wire to the white "neutral" house wire and the non-ribbed wire to the black "hot" house wire. Connect the braided copper ground wire to the green ground screw marked "GND" on the mounting strip. It is imperative that the outlet box in your home be properly grounded.
5. Gently tuck the wire connectors nearly in to the wall outlet box.
6. Fit the canopy onto the universal mounting bracket (C) and secure with the supplied threaded nipple (D).
7. Insert 1 x B10 bulb into the pendant socket and make sure they do not exceed the maximum wattage specified on the wattage label.
8. Then attach the glass ball (G) with pendant cap and tighten it with the given screws (F). Make sure all 3 screws are tighten properly and evenly to secure the Glass ball with Pendant cap.
9. Restore power to the ceiling outlet.

care instructions:

Wipe with a soft dry cloth. To protect finish, avoid the use of chemicals and household cleaners.

LIGHTING PARTS SKUS

CATEGORY	SKU	DESCRIPTION	STATUS	COLLECTION	ROUTE
LIGHTING	91954H132CH	GLOBE PENDANT 12 FT CHAIN VINTAGE BRASS 12 FT CH	A	PT-GLOBE	PART
LIGHTING	91954H132C6	GLOBE PENDANT 6 FT CHAIN VINTAGE BRASS 6 FT CH	A	PT-GLOBE	PART
LIGHTING	91954H132CN	GLOBE PENDANT CANOPY VINTAGE BRASS CANOPY	A	PT-GLOBE	PART
LIGHTING	91954H132GLL	GLOBE PENDANT LARGE GLASS BALL CLEAR 12" D GLASS BALL	A	PT-GLOBE	
LIGHTING	91954H132GLS	GLOBE PENDANT SMALL GLASS BALL CLEAR 8" D GLASS BALL	A	PT-GLOBE	

GRAND 9LTS CHANDELIER

#65636H0364

ARHAUS®

your home

parts enclosed:

- (D) wire nuts (3)
- (E) cross bar set (1)
- (F) cross bar screws (2)
- (I) canopy (1)

important safety instructions:

1. We recommend installation by a licensed electrician.
2. To avoid the risk of fire, do not exceed the recommended wattage for this fixture.

wattage: 9 x 40W
type of socket: E12

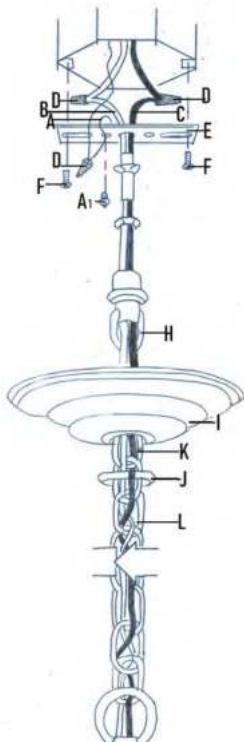
warnings:

1. Do not remove the lamp from its packaging by pulling on the power cord, as a bad connection may result.
2. To avoid the risk of fire, electrical shock, or personal injury, turn off lamp and allow it to cool prior to replacing light bulb.
3. Do not touch bulb when fixture is turned on or look directly at lit bulb.
4. Keep flammable materials away from lit bulb.

to assemble:

- Attach cross bar (E) to the ceiling junction box using the cross bar screws (F).
- Unscrew the collar ring (J).
- Insert the collar loop (H) into the canopy (I).
- Screw the collar ring (J) back.
- Attach the chandelier chain (L) to the collar loop (H) with the quick link (K).

See back of the page for wiring connection details.



care instructions:

Clean with dry soft cloth/brush only.
Do not use water/alcohol or any detergent.

INSTALLATION INSTRUCTIONS

INCANDESCENT SURFACE MOUNTED LUMINAIRES:

CAUTION

- A PERSON FAMILIAR WITH THE CONSTRUCTION AND OPERATION OF THE PRODUCT MUST INSTALL THIS PRODUCT IN ACCORDANCE WITH THE APPLICABLE INSTALLATION CODE AND THE HAZARDS INVOLVED.

WARNING

- The electricity MUST be turned off at the MAIN FUSE BOX before installation of this luminaire; turning the power off using the light switch is not sufficient to prevent electrical shock.
- Luminaires weighing 50 lbs (25 lbs for surface wall) or more must be mounted directly to the building structure, independently of the electrical box; this installation should not be made on a radiant heat type ceiling.

- If a chain-and-canopy luminaire is provided of an individual grounding conductor (bare or insulated), this shall be interwoven through the chain from the luminaire to the canopy.
- If chain-and-canopy luminaire is provided of a SPT-1 power supply cord type, this shall interwoven through the chain from the luminaire to the canopy.
- The luminaires are not intended to support external weight other than provided glasses.

- WIRE CONNECTION CHART:

Connect Black or Red (Hot) House Wire to:	Connect White (Neutral) House Wire to:
Black (Hot)	White (Neutral)
Parallel cord (round and smooth)	Parallel cord (square or ridged)
Clear, Brown, Gold or Black without tracer	Clear, Brown, Gold or Black with tracer
Insulated wire (other than green) with copper conductor	Insulated wire (other than green) with silver conductor

- ELECTRICAL CONNECTION:

- 1 Attach grounding wire (green insulated or bare copper) from the supply circuit to the mounting bracket with the green ground attachment screw. Connect the grounding wire of the luminaire to the grounding conductor of the supply circuit. Attach all grounding conductors to the mounting bracket with the green ground wire attachment screw.

- 2 Referring to the Wire Connection Chart, connect the black and white wires.

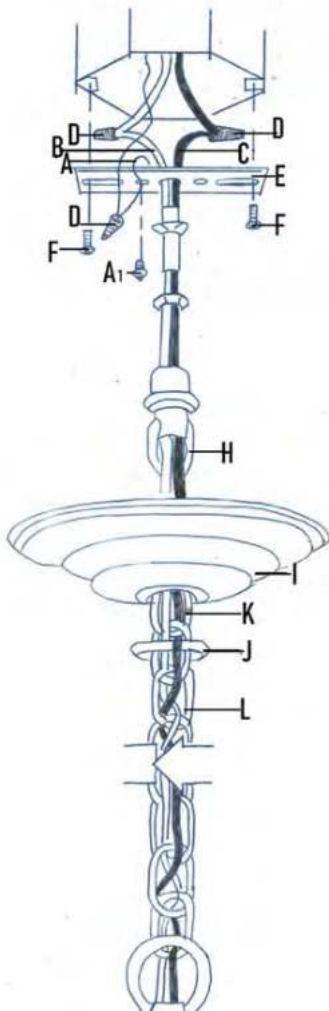
CAUTION

No loose strands or loose connections should be present. Secure with U.L. certified wire connectors and electrical tape.

- FINAL INSTRUCTION:

- 1 Install light bulbs, refer to the relamping label located near the lampholder for recommended wattage. DO NOT EXCEED THE RECOMMENDED WATTAGE.
- 2 Restore electricity and check the operation of the luminaire.

In case of change of the article, not previously authorized, the UL Certification will be terminated immediately



NOTICE DE MONTAGE PLAFONNIERES INCANDESCENTS

ATTENTION

- Le montage doit être effectué par personnes compétentes selon le code d'installation en vigueur et les risques impliqués.
- La sûreté de l'installation est soumise au correct usage des instructions suivantes

AVERTISSEMENT

- Avant d'effectuer chaque opération, couper le courant à la boîte du fusible principale. La mise hors tension grâce à l'interrupteur n'est pas suffisante pour prévenir les chocs électriques.
- Luminaires qui sont lourds 50 Lbs. Ou plus (25 Lbs. Pour appareil mur) doivent être montés directement à la structure du bâtiment, de façon indépendante de la boîte électrique; cette installation ne doit pas être fait sur un plafond avec systèmes de chauffages radiants
- Dans le cas du luminaire avec chaîne et pavillon, il faut passé les câbles a travers les maillons de la chaîne, soit s'il est équipé avec un câble conducteur de mise à la terre individuelle (nu ou isolé), soit s'il est équipé avec un câble d'alimentation SPT-1.
- Les appareils ne devraient pas porte plus de poids que celle prévue pour les verres décoratif

• TABLE CONNEXION CABLES:

Connecter le fil de la maison NOIR ou ROUGE (phase) avec:	Connecter le fil de la maison BLANC (neutre) avec:
Noir (Phase)	Blanc (neutre)
Fil parallèle (ronde et lisse)	Fil parallèle (carré ou striée)
Clair, Marron, Or ou Noir SANS traceur	Clair, Marron, or ou Noir AVEC traceur
Fil isolé (autre que Vert) avec conducteur Cuivre	Fil isolé (autre que Vert) avec conducteur Argent

• CONNEXIONS ÉLECTRIQUES

1. Fixez le fil de terre (vert isolé ou cuivre nu) du circuit d'alimentation au support de montage par la vis vert de fixation de terre fourni.
2. Connectez le fil de mise à la terre du luminaire au conducteur de mise à la terre du circuit d'alimentation. Fixez tous les conducteurs de terre au support de montage avec la vis vert de fixation.
3. Connectez les fils noir et blanc en référant à la table connexion câbles

ATTENTION

Fil libre ou des connexions desserrées ne doivent pas être présents. Fixer avec des connecteurs de fils certifié UL et du ruban électrique.

• INSTALLATION FINALE

1. Installer des ampoules de puissance recommandée, reportez-vous à l'étiquette de remplacement de la lampe situé en proximité de la douille.
2. Ne pas dépasser la puissance recommandée

AVERTISSEMENT

Instructions supplémentaires

Pour la fixation, utiliser les vis fournies et vérifier que le pavillon couvre complètement la boîte de sortie.

En cas de changement d'article, pas autorisé précédemment, la certification UL se terminera immédiatement.



GRAND 12LTS CHANDELIER

#65636H0362

ARHAUS®

your home

parts enclosed:

- (D) wire nuts (3)
- (E) cross bar set (1)
- (F) cross bar screws (2)
- (I) canopy (1)

important safety instructions:

1. We recommend installation by a licensed electrician.
2. To avoid the risk of fire, do not exceed the recommended wattage for this fixture.

wattage: 12 x 40W
type of socket: E12

warnings:

1. Do not remove the lamp from its packaging by pulling on the power cord, as a bad connection may result.
2. To avoid the risk of fire, electrical shock, or personal injury, turn off lamp and allow it to cool prior to replacing light bulb.
3. Do not touch bulb when fixture is turned on or look directly at lit bulb.
4. Keep flammable materials away from lit bulb.

to assemble:

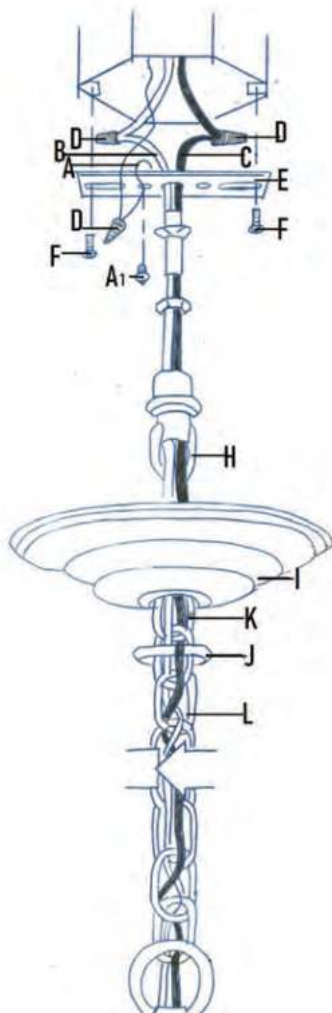
- Attach cross bar (E) to the ceiling junction box using the cross bar screws (F).
- Unscrew the collar ring (J).
- Insert the collar loop (H) into the canopy (I).
- Screw the collar ring (J) back.
- Attach the chandelier chain (L) to the collar loop (H) with the quick link (K).

See back of the page for wiring connection details.



care instructions:

Clean with dry soft cloth/brush only.
Do not use water/alcohol or any detergent.



INSTALLATION INSTRUCTIONS

INCANDESCENT SURFACE MOUNTED LUMINAIRES:

CAUTION

- A PERSON FAMILIAR WITH THE CONSTRUCTION AND OPERATION OF THE PRODUCT MUST INSTALL THIS PRODUCT IN ACCORDANCE WITH THE APPLICABLE INSTALLATION CODE AND THE HAZARDS INVOLVED.

WARNING

- The electricity MUST be turned off at the MAIN FUSE BOX before installation of this luminaire; turning the power off using the light switch is not sufficient to prevent electrical shock.
- Luminaires weighing 50 lbs (25 lbs for surface wall) or more must be mounted directly to the building structure, independently of the electrical box; this installation should not be made on a radiant heat type ceiling.

- If a chain-and-canopy luminaire is provided of an individual grounding conductor (bare or insulated), this shall be interwoven through the chain from the luminaire to the canopy.
- If chain-and-canopy luminaire is provided of a SPT-1 power supply cord type, this shall interwoven through the chain from the luminaire to the canopy.
- The luminaires are not intended to support external weight other than provided glasses.

- WIRE CONNECTION CHART:

Connect Black or Red (Hot) House Wire to:	Connect White (Neutral) House Wire to:
Black (Hot)	White (Neutral)
Parallel cord (round and smooth)	Parallel cord (square or ridged)
Clear, Brown, Gold or Black without tracer	Clear, Brown, Gold or Black with tracer
Insulated wire (other than green) with copper conductor	Insulated wire (other than green) with silver conductor

- ELECTRICAL CONNECTION:

1 Attach grounding wire (green insulated or bare copper) from the supply circuit to the mounting bracket with the green ground attachment screw provided. Connect the grounding wire of the luminaire to the grounding conductor of the supply circuit. Attach all grounding conductors to the mounting bracket with the green ground wire attachment screw.

2 Referring to the Wire Connection Chart, connect the black and white wires.

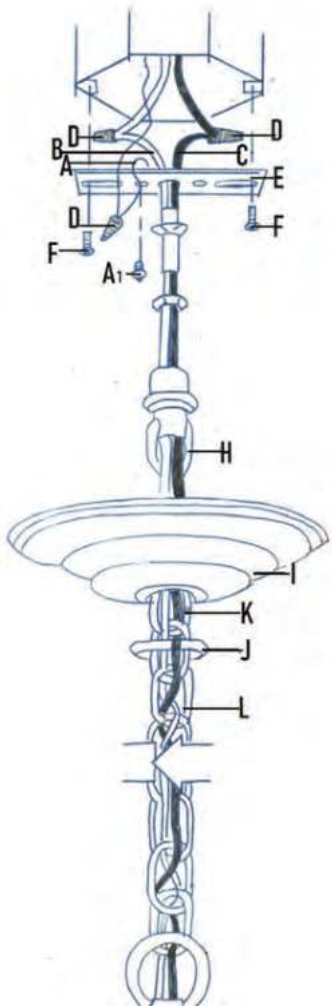
CAUTION

No loose strands or loose connections should be present. Secure with U.L. certified wire connectors and electrical tape.

- FINAL INSTRUCTION:

- 1 Install light bulbs, refer to the relamping label located near the lampholder for recommended wattage. DO NOT EXCEED THE RECOMMENDED WATTAGE.
- 2 Restore electricity and check the operation of the luminaire.

In case of change of the article, not previously authorized, the UL Certification will be terminated immediately



NOTICE DE MONTAGE PLAFONNIERES INCANDESCENTES

ATTENTION

- Le montage doit être effectué par personnes compétentes selon le code d'installation en vigueur et les risques impliqués.
- La sûreté de l'installation est soumise au correct usage des instructions suivantes

AVERTISSEMENT

- Avant d'effectuer chaque opération, couper le courant à la boîte du fusible principale. La mise hors tension grâce à l'interrupteur n'est pas suffisante pour prévenir les chocs électriques.
- Luminaires qui sont lourds 50 Lbs. Ou plus (25 Lbs. Pour appareil mur) doivent être montés directement à la structure du bâtiment, de façon indépendante de la boîte électrique; cette installation ne doit pas être fait sur un plafond avec systèmes de chauffages radiants
- Dans le cas du luminaire avec chaîne et pavillon, il faut passé les câbles à travers les maillons de la chaîne, soit s'il est équipé avec un câble conducteur de mise à la terre individuelle (nu ou isolé), soit s'il est équipé avec un câble d'alimentation SPT-1.
- Les appareils ne devraient pas porte plus de poids que celle prévue pour les verres décoratif

• TABLE CONNEXION CABLES:

Connecter le fil de la maison NOIR ou ROUGE (phase) avec:	Connecter le fil de la maison BLANC (neutre) avec:
Noir (Phase)	Blanc (neutre)
Fil parallèle (ronde et lisse)	Fil parallèle (carré ou striée)
Clair, Marron, Or ou Noir SANS traceur	Clair, Marron, or ou Noir AVEC traceur
Fil isolé (autre que Vert) avec conducteur Cuivre	Fil isolé (autre que Vert) avec conducteur Argent

• CONNEXIONS ÉLECTRIQUES

1. Fixez le fil de terre (vert isolé ou cuivre nu) du circuit d'alimentation au support de montage par la vis vert de fixation de terre fourni.
2. Connectez le fil de mise à la terre du luminaire au conducteur de mise à la terre du circuit d'alimentation. Fixez tous les conducteurs de terre au support de montage avec la vis vert de fixation.
3. Connectez les fils noir et blanc en référant à la table connexion câbles

ATTENTION

Fil libre ou des connexions desserrées ne doivent pas être présents. Fixer avec des connecteurs de fils certifié UL et du ruban électrique.

• INSTALLATION FINALE

1. Installer des ampoules de puissance recommandée, reportez-vous à l'étiquette de remplacement de la lampe situé en proximité de la douille.
2. Ne pas dépasser la puissance recommandée

AVERTISSEMENT

Instructions supplémentaires

Pour la fixation, utiliser les vis fournies et vérifier que le pavillon couvre complètement la boîte de sortie.

En cas de changement d'article, pas autorisé précédemment, la certification UL se terminera immédiatement.

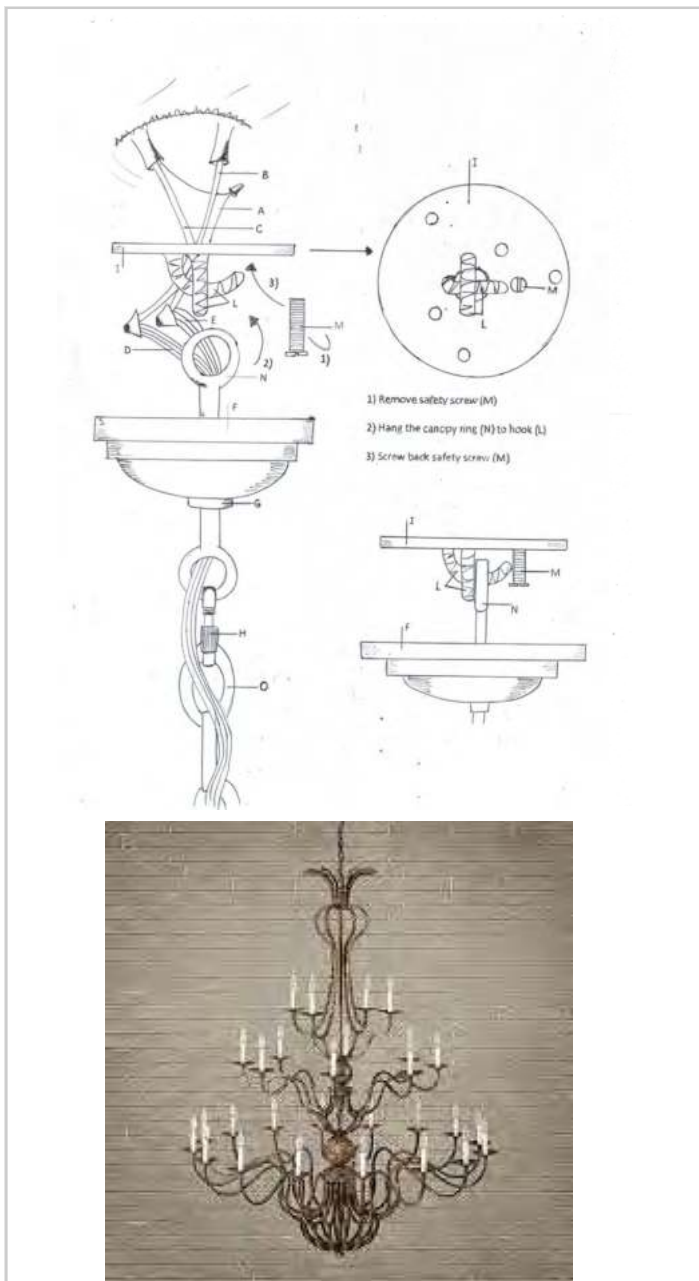
GRAND 28LTS CHANDELIER #65636H0210

ARHAUS®

your home

parts enclosed:

- (A) Supply ground wire(1)
- (B) White wire(1)
- (C) Black wire (1)
- (D) Smooth wire (3)
- (E) Polarized wire (3)
- (F) Canopy (1)
- (G) Locking screw (1)
- (H) Quick link (2)
- (I) Plate (1)
- (L) Hook (1)
- (M) Safety Screw (1)
- (N) Canopy ring (2)
- (O) Chain (1)



important safety instructions:

1. We recommend installation by a licensed electrician
2. The outlet box and support structure must be securely mounted and capable of reliably supporting the weight of this fixture (70.5)lbs. Use only UL Listed outlet boxes marked with an acceptable support of at least 71lbs.
3. Do not exceed the recommended wattage for this fixture.

wattage: 28 x 40 W
type of socket: E12

warnings:

1. Do not remove the lamp from this packaging by pulling the power cord, as a bad connection may result.
2. To avoid the risk of fire, electrical shock, or personal injury, turn off the lamp and allow it to cool prior to replacing light bulb.
3. Do not touch bulb when fixture is turned on or look directly at lit bulb.
4. Keep flammable materials away from lit bulb.
5. To reduce the risk of fire, electric shock, or personal injury, mount to an outlet box. Use only UL Listed outlet boxes marked "acceptable for support of (71) lbs. or more."

to assemble:

- Loosen locking screw (G) and slide canopy (F) downwards.
- Attach chandelier to the plate (I), secured into the ceiling as follows:
 - 1) remove safety screw (M)
 - 2) Hang the canopy ring (N) to hook (L)
 - 3) Screw back safety screw (M)
- Effect electrical connection.
- Slide canopy (F) upwards against the ceiling and tighten the locking screw (G)

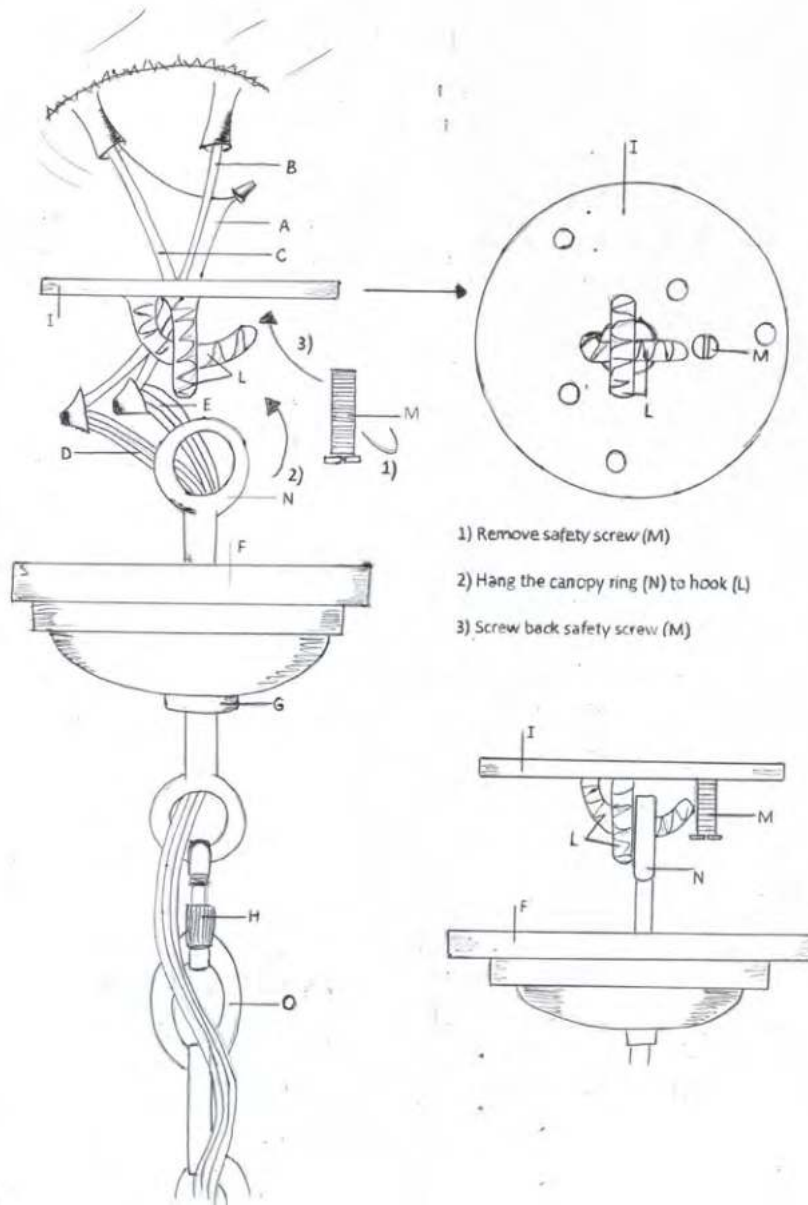
see back of the page for details

disclaimer:

Purchaser and installer agree to hold harmless and indemnify Arhaus from any and all liability for any property damage or personal injury resulting from the improper installation of the product, or the failure to properly follow product installation directions and/or weight restrictions.

care instruction:

Clean with dry soft cloth/brush only.
Do not use water/alcohol or any detergent



- 1) Remove safety screw (M)
- 2) Hang the canopy ring (N) to hook (L)
- 3) Screw back safety screw (M)

INSTALLATION INSTRUCTIONS

INCANDESCENT SURFACE MOUNTED LUMINAIRES:

CAUTION

- A PERSON FAMILIAR WITH THE CONSTRUCTION AND OPERATION OF THE PRODUCT MUST INSTALL THIS PRODUCT IN ACCORDANCE WITH THE APPLICABLE INSTALLATION CODE AND THE HAZARDS INVOLVED.

WARNING

- The electricity MUST be turned off at the MAIN FUSE BOX before installation of this luminaire; turning the power off using the light switch is not sufficient to prevent electrical shock.
- Luminaires weighing 50 lbs (25 lbs for surface wall) or more must be mounted directly to the building structure, independently of the electrical box; this installation should not be made on a radiant heat type ceiling.

- If a chain-and-canopy luminaire is provided of an individual grounding conductor (bare or insulated), this shall be interwoven through the chain from the luminaire to the canopy.

- If chain-and-canopy luminaire is provided of a SPT-1 power supply cord type, this shall interwoven through the chain from the luminaire to the canopy.

- The luminaires are not intended to support external weight other than provided glasses.

- WIRE CONNECTION CHART:

Connect Black or Red (Hot) House Wire to:	Connect White (Neutral) House Wire to:
Black (Hot)	White (Neutral)
Parallel cord (round and smooth)	Parallel cord (square or ridged)
Clear, Brown, Gold or Black without tracer	Clear, Brown, Gold or Black with tracer
Insulated wire (other than green) with copper conductor	Insulated wire (other than green) with silver conductor

- ELECTRICAL CONNECTION:

- 1 Attach grounding wire (green insulated or bare copper) from the supply circuit to the mounting bracket with the green ground attachment screw provided. Connect the grounding wire of the luminaire to the grounding conductor of the supply circuit. Attach all grounding conductors to the mounting bracket with the green ground wire attachment screw.
- 2 Referring to the Wire Connection Chart, connect the black and white wires.

CAUTION

No loose strands or loose connections should be present. Secure with U.L. certified wire connectors and electrical tape.

- FINAL INSTRUCTION:

- 1 Install light bulbs, refer to the relamping label located near the lampholder for recommended wattage. DO NOT EXCEED THE RECOMMENDED WATTAGE.
- 2 Restore electricity and check the operation of the luminaire.

In case of change of the article, not previously authorized, the UL Certification will be terminated immediately

NOTICE DE MONTAGE PLAFONNIERES INCANDESCENTES

ATTENTION

- Le montage doit être effectué par personnes compétentes selon le code d'installation en vigueur et les risques impliqués.
- La sûreté de l'installation est soumise au correct usage des instructions suivantes

AVERTISSEMENT

- Avant d'effectuer chaque opération, couper le courant à la boîte du fusible principale. La mise hors tension grâce à l'interrupteur n'est pas suffisante pour prévenir les chocs électriques.
- Luminaires qui sont lourds 50 Lbs. Ou plus (25 Lbs. Pour appareil mur) doivent être montés directement à la structure du bâtiment, de façon indépendante de la boîte électrique; cette installation ne doit pas être fait sur un plafond avec systèmes de chauffages radiants
- Dans le cas du luminaire avec chaîne et pavillon, il faut passé les câbles à travers les maillons de la chaîne, soit s'il est équipé avec un câble conducteur de mise à la terre individuelle (nu ou isolé), soit s'il est équipé avec un câble d'alimentation SPT-1.
- Les appareils ne devraient pas porte plus de poids que celle prévue pour les verres décoratif

• TABLE CONNEXION CABLES:

Connecter le fil de la maison NOIR ou ROUGE (phase) avec:	Connecter le fil de la maison BLANC (neutre) avec:
Noir (Phase)	Blanc (neutre)
Fil parallèle (ronde-et lisse)	Fil parallèle (carré ou striée)
Clair, Marron, Or ou Noir SANS traceur	Clair, Marron, or ou Noir AVEC traceur
Fil isolé (autre que Vert) avec conducteur Cuivre	Fil isolé (autre que Vert) avec conducteur Argent

• CONNEXIONS ÉLECTRIQUES

1. Fixez le fil de terre (vert isolé ou cuivre nu) du circuit d'alimentation au support de montage par la vis vert de fixation de terre fourni.
2. Connectez le fil de mise à la terre du luminaire au conducteur de mise à la terre du circuit d'alimentation. Fixez tous les conducteurs de terre au support de montage avec la vis vert de fixation.
3. Connectez les fils noir et blanc en référant à la table connexion câbles

ATTENTION

Fil libre ou des connexions desserrées ne doivent pas être présents. Fixer avec des connecteurs de fils certifié UL et du ruban électrique.

• INSTALLATION FINALE

1. Installer des ampoules de puissance recommandée, reportez-vous à l'étiquette de remplacement de la lampe situé en proximité de la douille.
2. Ne pas dépasser la puissance recommandée

AVERTISSEMENT

Instructions supplémentaires

Pour la fixation, utiliser les vis fournies et vérifier que le pavillon couvre complètement la boîte de sortie.

En cas de changement d'article, pas autorisé précédemment, la certification UL se terminera immédiatement.

PARTS INVENTORY

Super Category	Product ID	Description	Stat	Collection	Route
LIGHTING	91636H210CH	GRAND 28 LT CHAND 12 FT CHAIN 6 MM X 3.7 MT DK SILVER CLY CH	A	PT-GRAND	PART
LIGHTING	91636H210CH6	GRAND 28 LT CHAND 6 FT CHAIN 6 MM X 1.8 MT DK SILVER CLY CH	A	PT-GRAND	PART
LIGHTING	91636H210PLT	GRAND 28 LT CHAND MOUNTING PLT MOUNTING PLATE	A	PT-GRAND	PART
LIGHTING	91636H210CN	GRAND 28 LT CHAND SP CANOPY DARK SILVER CLAY CANOPY	A	PT-GRAND	PART
LIGHTING	91636H364CH	GRAND CHAND 12 FT CHAIN 5 MM X 3.7 MT DK SILVER CLY CH	A	PT-GRAND	PART
LIGHTING	91636H364CH6	GRAND CHANDELIER 6 FT CHAIN 5 MM X 1.8 MT DK SILVER CLY CH	A	PT-GRAND	PART
LIGHTING	91636H364CN	GRAND CHANDELIER CANOPY DK SILVER CLAY CANOPY W/ HDWR	A	PT-GRAND	PART
LIGHTING	91636H364SL	ITALIAN WHITE CANDLE SLEEVE CANDLE SLEEVE	A	PT-GRAND	PART

GRAND 28LTS CHANDELIER #65636H0210

ARHAUS®
your home

parts enclosed:

- (F) Canopy (1)
- (I) Plate (1)
- (P) Wire nuts (2)

important safety instructions:

1. We recommend installation by a licensed electrician
2. The outlet box and support structure must be securely mounted and capable of reliably supporting the weight of this fixture (82.6)lbs. Use only UL Listed outlet boxes marked with an acceptable support of at least 83lbs.
3. Do not exceed the recommended wattage for this fixture.

wattage: 28 x 40 W
type of socket: E12

warnings:

1. Do not remove the lamp from this packaging by pulling the power cord, as a bad connection may result.
2. To avoid the risk of fire, electrical shock, or personal injury, turn off the lamp and allow it to cool prior to replacing light bulb.
3. Do not touch bulb when fixture is turned on or look directly at lit bulb.
4. Keep flammable materials away from lit bulb.
5. To reduce the risk of fire, electric shock, or personal injury, mount to an outlet box. Use only UL Listed outlet boxes marked "acceptable for support of (83) lbs. or more."

to assemble:

- Loosen locking screw (G) and slide canopy (F) downwards.
- Attach chandelier to the plate (I), secured into the ceiling as follows:
 - 1) Remove safety screw (M)
 - 2) Hang the canopy ring (N) to hook (L)
 - 3) Screw back safety screw (M)
- Effect electrical connection.
- Slide canopy (F) upwards against the ceiling and tighten the locking screw (G)

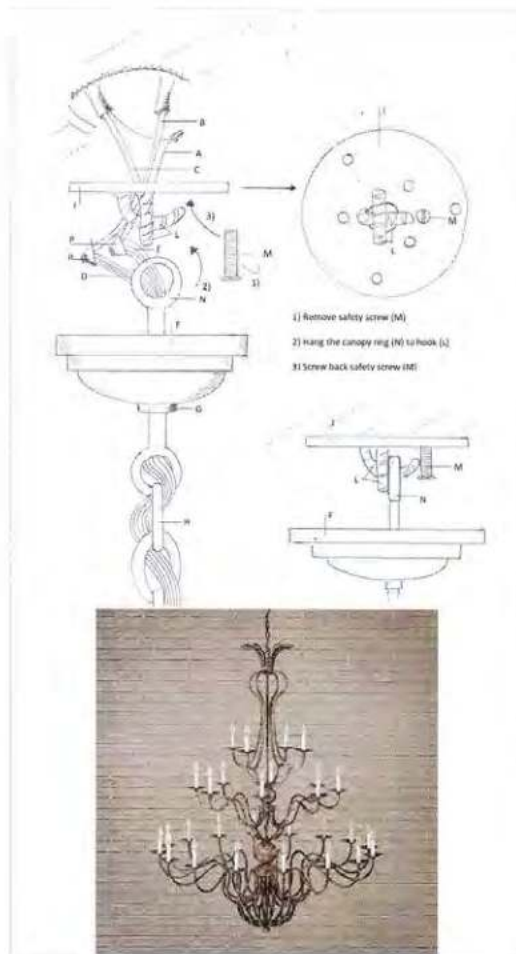
see back of the page for details

disclaimer:

Purchaser and installer agree to hold harmless and indemnify Arhaus from any and all liability for any property damage or personal injury resulting from the improper installation of the product, or the failure to properly follow product installation directions and/or weight restrictions.

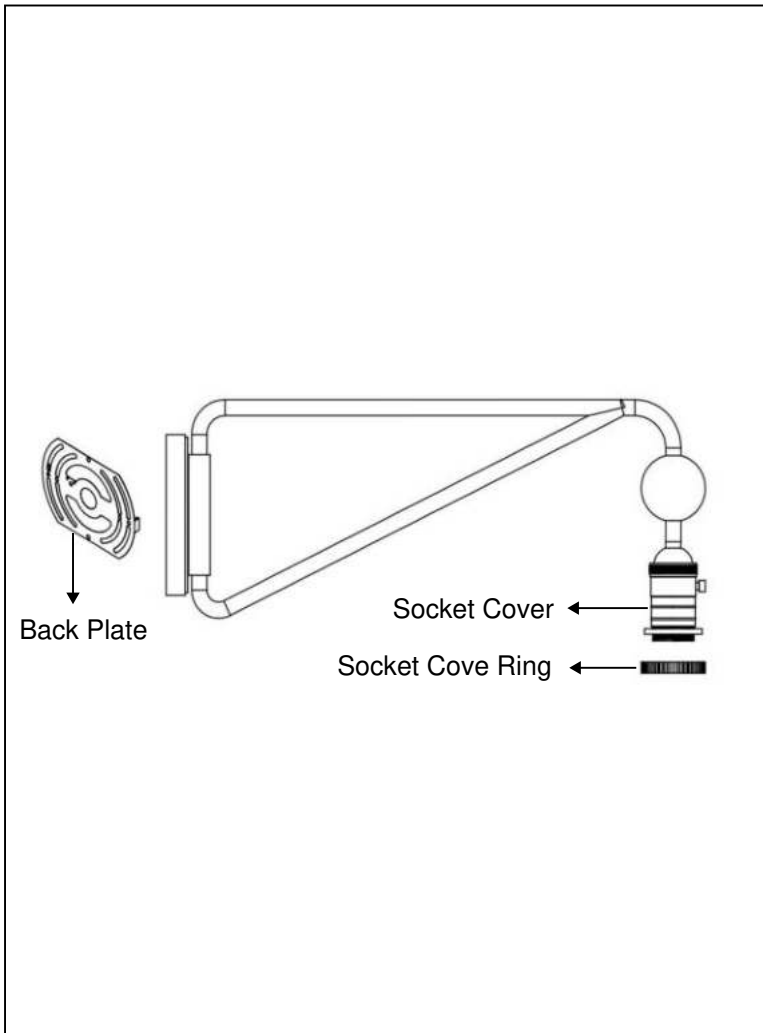
care instruction:

Clean with dry soft cloth/brush only.
Do not use water/alcohol or any detergent



HAYLEN WALL SCONCE BASE**parts enclosed:**

- A. Socket Cover (1)
- B. Socket Cover Ring (1)

**important safety instructions:**

1. We recommend installation by a licensed electrician.
2. To avoid the risk of fire, do not exceed the recommended wattage for this fixture.

UL NO:E491659 UL RATING:DAMP, MAX BULB WATTAGE: 40W
 CONVERSION TO MAX LED WATTAGE: 12 W
 BULB: 1 X A-19 (NOT INCLUDED)

warnings:

1. Do not remove the lamp from its packaging by pulling on the power cord, as a bad connection may result.
2. To avoid the risk of fire, electrical shock, or personal injury, turn off lamp and allow it to cool prior to replacing light bulb.
3. Do not touch bulb when fixture is turned on or look directly at lit bulb.
4. Keep flammable materials away from lit bulb.

to assemble:

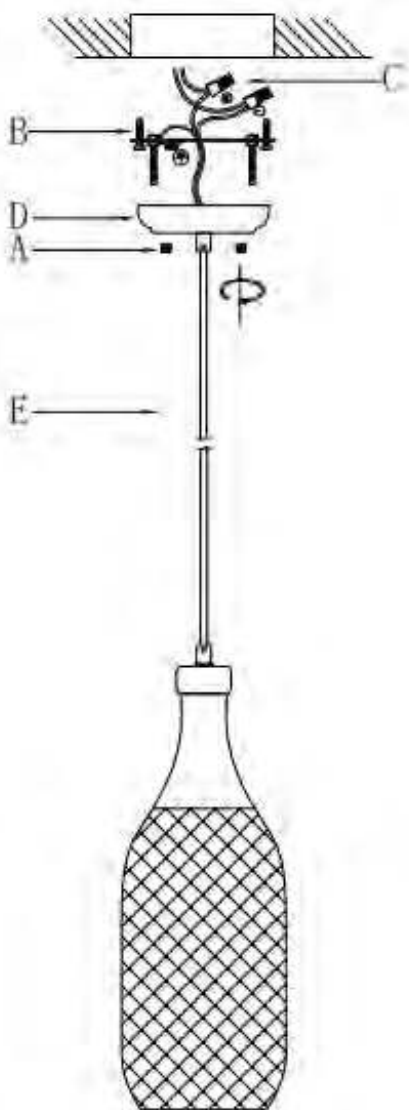
1. Carefully remove all parts from the box and remove all protective coverings.
2. Turn OFF power to the circuit breaker where the wall sconce be installed.
3. Remove back plate from base & fix it onto wall with screws.
4. After fixing back plate onto outlet, fix the wall sconce through base.
5. Attach shade to socket cover (A) by removing socket cover ring (B) re fix socket cover ring (B) after shade attached.
6. Restore power to the circuit breaker and test wall sconce.

care instructions:

DO NOT use polishes or Cleaners on your lamp. Wipe with soft, lint free cloth.

parts enclosed:

Part	Description	Qty.
A	screws	2
B	mounting Bracket	1
C	nipples	3
D	canopy	1
E	steel	1



important safety instructions:

1. We recommend installation by a licensed electrician.
2. To avoid the risk of fire, do not exceed the recommended wattage for this fixture.

warnings:

1. Do not remove the lamp from its packaging by pulling on the power cord, as a bad connection may result.
2. To avoid the risk of fire, electrical shock, or personal injury, turn off lamp and allow it to cool prior to replacing light bulb.
3. Do not touch bulb when fixture is turned on or look directly at lit bulb.
4. Keep flammable materials away from lit bulb.

to assemble:

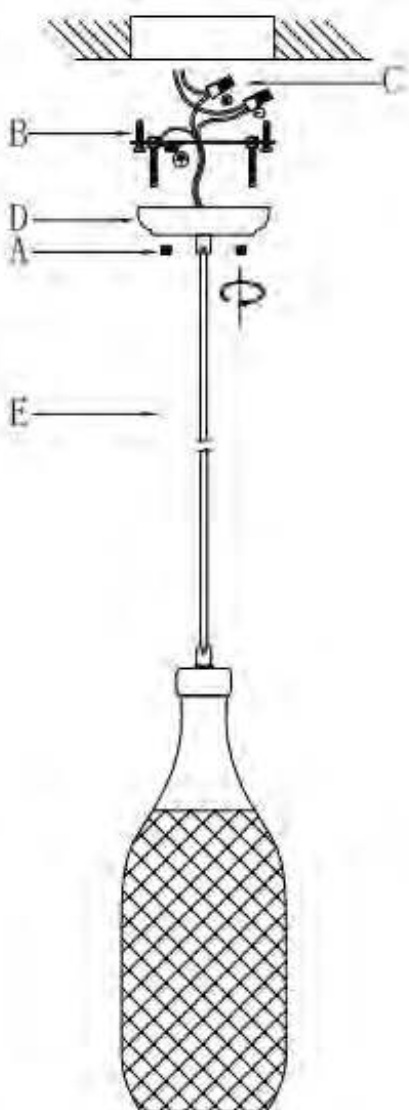
1. Carefully remove all parts from the box.
2. Remove the mounting bracket (B) from the canopy (D) by loosening the screws (A).
3. Adjust the height of cable and safety steel (E) wire you need.
4. INSURE THE ELECTRICITY SUPPLY IS TURNED OFF.
5. Affix the mounting bracket (B) on the outlet box.
6. Wrap both safety cable with nipples (C), push the cable into the outlet box.
7. Attach the canopy (D) to the mounting bracket (B) and secure with screws (A).
8. Installation is complete, turn on power at fuse or circuit breaker.

care instructions:

Clean with a dry, soft cloth only. Use no harsh abrasives or chemical agents.

parts enclosed:

Part	Description	Qty.
A	screws	2
B	mounting Bracket	1
C	nipples	3
D	canopy	1
E	steel	1



important safety instructions:

1. We recommend installation by a licensed electrician.
2. To avoid the risk of fire, do not exceed the recommended wattage for this fixture.

warnings:

1. Do not remove the lamp from its packaging by pulling on the power cord, as a bad connection may result.
2. To avoid the risk of fire, electrical shock, or personal injury, turn off lamp and allow it to cool prior to replacing light bulb.
3. Do not touch bulb when fixture is turned on or look directly at lit bulb.
4. Keep flammable materials away from lit bulb.

to assemble:

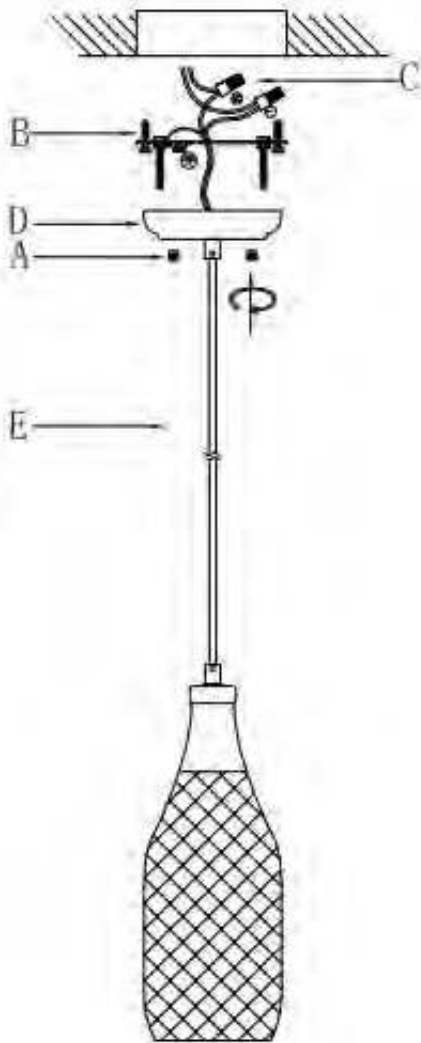
1. Carefully remove all parts from the box.
2. Remove the mounting bracket (B) from the canopy (D) by loosening the screws (A).
3. Adjust the height of cable and safety steel (E) wire you need.
4. INSURE THE ELECTRICITY SUPPLY IS TURNED OFF.
5. Affix the mounting bracket (B) on the outlet box.
6. Wrap both safety cable with nipples (C), push the cable into the outlet box.
7. Attach the canopy (D) to the mounting bracket (B) and secure with screws (A).
8. Installation is complete, turn on power at fuse or circuit breaker.

care instructions:

Clean with a dry, soft cloth only. Use no harsh abrasives or chemical agents.

parts enclosed:

Part	Description	Qty.
A	screws	2
B	mounting Bracket	1
C	nipples	3
D	canopy	1
E	steel	1



important safety instructions:

1. We recommend installation by a licensed electrician.
2. To avoid the risk of fire, do not exceed the recommended wattage for this fixture.

warnings:

1. Do not remove the lamp from its packaging by pulling on the power cord, as a bad connection may result.
2. To avoid the risk of fire, electrical shock, or personal injury, turn off lamp and allow it to cool prior to replacing light bulb.
3. Do not touch bulb when fixture is turned on or look directly at lit bulb.
4. Keep flammable materials away from lit bulb.

to assemble:

1. Carefully remove all parts from the box.
2. Remove the mounting bracket (B) from the canopy (D) by loosening the screws (A).
3. Adjust the height of cable and safety steel (E) wire you need.
4. INSURE THE ELECTRICITY SUPPLY IS TURNED OFF.
5. Affix the mounting bracket (B) on the outlet box.
6. Wrap both safety cable with nipples (C), push the cable into the outlet box.
7. Attach the canopy (D) to the mounting bracket (B) and secure with screws (A).
8. Installation is complete, turn on power at fuse or circuit breaker.

care instructions:

Clean with a dry, soft cloth only. Use no harsh abrasives or chemical agents.

parts enclosed:

Part	Description	Qty.
A	lock collar	1
B	mounting Bracket	1
C	nipples	3
D	canopy	1
E	chain	1
F	open ring	1
G	loop	1
H	cable	1
I	naked earth cable	1
J	ceiling loop	1

important safety instructions:

1. We recommend installation by a licensed electrician.
2. To avoid the risk of fire, do not exceed the recommended wattage for this fixture.

warnings:

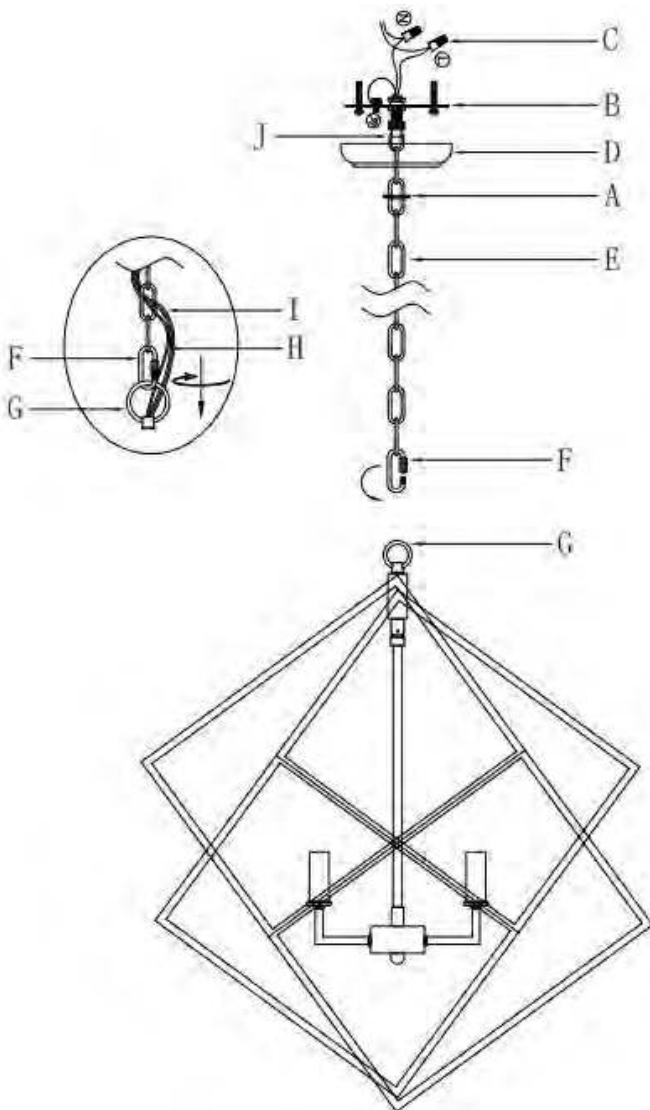
1. Do not remove the lamp from its packaging by pulling on the power cord, as a bad connection may result.
2. To avoid the risk of fire, electrical shock, or personal injury, turn off lamp and allow it to cool prior to replacing light bulb.
3. Do not touch bulb when fixture is turned on or look directly at lit bulb.
4. Keep flammable materials away from lit bulb.

to assemble:

1. Carefully remove all parts from the box.
2. Remove the mounting bracket (B) from the canopy (D) by loosening the lock collar (A).
3. Taking off the open ring (F) and use the dimensions of the fixture as a guide, shorten the chain (E) as needed using a pair of chain pliers.
4. Use the open ring (F) to link the chain (E) and the loop (G), then put the cable (H) and the naked earth cable (I) through the chain (E) in every 3-4 rings until through the ceiling loop (J).
5. INSURE THE ELECTRICITY SUPPLY IS TURNED OFF.
6. Affix the mounting bracket (B) on the outlet box.
7. Wrap both safety cable with nipples (C), push the cable into the outlet box.
8. Attach the canopy (D) to the mounting bracket (B) and secure with lock collar (A).
9. Install the bulbs on the sockets.
10. Installation is complete, turn on power at fuse or circuit breaker.

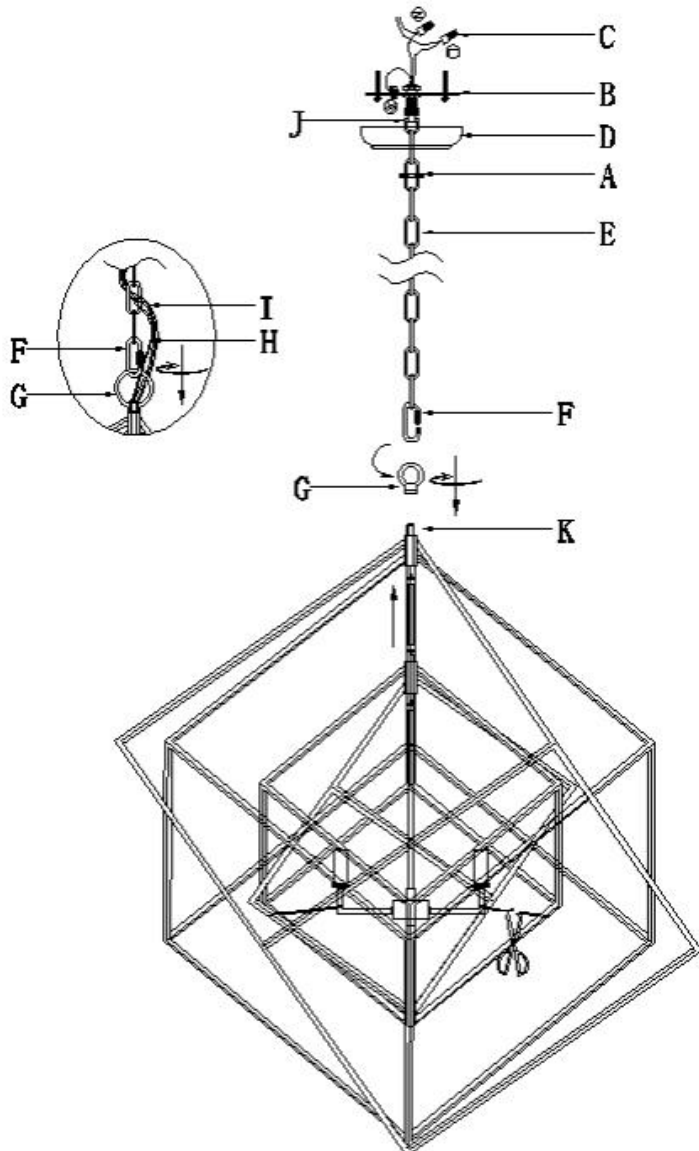
care instructions:

Clean with a dry, soft cloth only. Use no harsh abrasives or chemical agents.



parts enclosed:

Part	Description	Qty.	Part	Description	Qty.
A	lock collar	1	G	loop	1
B	mounting bracket	1	H	cable	1
C	nipples	3	I	naked earth cable	1
D	canopy	1	J	ceiling loop	1
E	chain	1	K	threaded pipe	1
F	open ring	1			



important safety instructions:

1. We recommend installation by a licensed electrician.
2. To avoid the risk of fire, do not exceed the recommended wattage for this fixture.

warnings:

1. Do not remove the lamp from its packaging by pulling on the power cord, as a bad connection may result.
2. To avoid the risk of fire, electrical shock, or personal injury, turn off lamp and allow it to cool prior to replacing light bulb.
3. Do not touch bulb when fixture is turned on or look directly at lit bulb.
4. Keep flammable materials away from lit bulb.

to assemble:

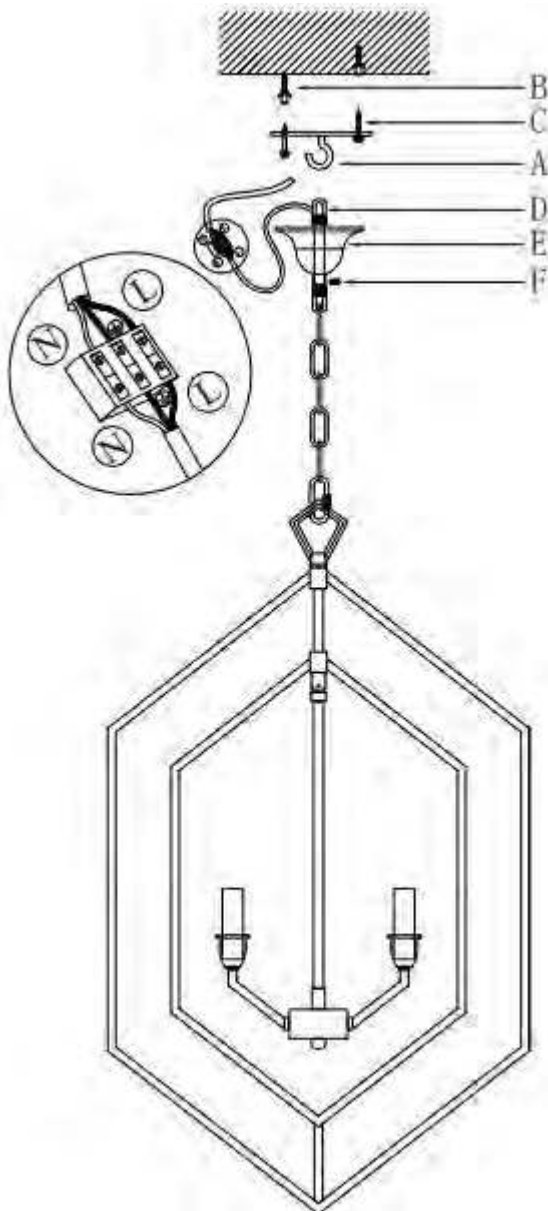
1. Carefully remove all parts from the box.
2. Remove the mounting bracket (B) from the canopy (D) by loosening the lock collar (A).
3. Use scissors to cut the rope fixed to the chandelier frame preventing movement and remove the rope. Pull cables (H) and (I) through the opening at the top of the chandelier frame following the arrow. Screw loop (G) onto threaded pipe (K) according to the illustration.
4. Take off the open ring (F) and use the dimensions of the fixture as a guide, shorten the chain (E) as needed using a pair of chain pliers.
5. Use the open ring (F) to link the chain (E) and the loop (G), then put the cable (H) and naked earth cable (I) through the chain (E) in every 3-4 rings until through the ceiling loop (J).
6. **INSURE THE ELECTRICITY SUPPLY IS TURNED OFF.**
7. Affix the mounting bracket (B) on the outlet box.
8. Wrap both safety cable with nipples (C), push the cable into the outlet box.
9. Attach the canopy (D) to the mounting bracket (B) and secure with lock collar (A).
10. Install the bulbs on the sockets.
11. Installation is complete, turn on power at fuse or circuit breaker.

care instructions:

Clean with a dry, soft cloth only. Use no harsh abrasives or chemical agents.

parts enclosed:

Part	Description	Qty.
A	mounting Bracket	1
B	expansion tubes	2
C	screws	2
D	ceiling loop	1
E	canopy	1
F	side screw	1



important safety instructions:

1. We recommend installation by a licensed electrician.
2. To avoid the risk of fire, do not exceed the recommended wattage for this fixture.

warnings:

1. Do not remove the lamp from its packaging by pulling on the power cord, as a bad connection may result.
2. To avoid the risk of fire, electrical shock, or personal injury, turn off lamp and allow it to cool prior to replacing light bulb.
3. Do not touch bulb when fixture is turned on or look directly at lit bulb.
4. Keep flammable materials away from lit bulb.

to assemble:

1. Take the mounting bracket (A) from the canopy (E). Then inset the expansion tubes (B) to the ceiling holes and then fix the bracket with screws (C) to the ceiling.
2. Loosen the side screw (F) and Put the ceiling loop(D) on the bracket (A).
3. **INSURE THE ELECTRICITY SUPPLY IS TURNED OFF.**
4. Connect the 3 power wires according to their colors. Brown is the live wire, blue is the neutral wire, green / yellow is the earth wire.
5. Attach the canopy (E) to the mounting bracket (A) and secure with side screw (F).
6. Install the bulbs on the sockets
7. Installation is complete , turn on power at fuse or circuit breaker.

care instructions:

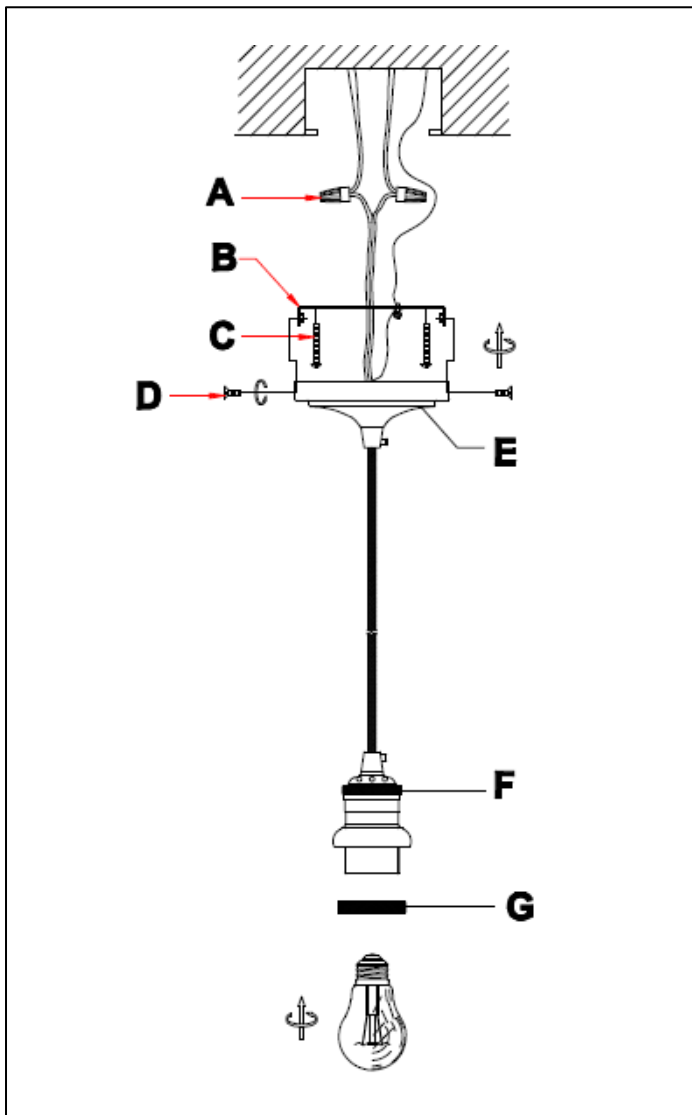
Clean with a dry, soft cloth only. Use no harsh abrasives or chemical agents.

PARTS INVENTORY

Super Category	Product ID	Description	Stat	Collection	Route
LIGHTING	912036HBRCH	HEMISPHERE BRASS 12 FT CHAIN .16" X 12 FT ANTIQUE GOLD CHAIN	A	PT-HEMISPH	PART
LIGHTING	912036HBRCH6	HEMISPHERE BRASS 6 FT CHAIN .16" X 6 FT ANTIQUE GOLD CHAIN	A	PT-HEMISPH	PART
LIGHTING	912036HBRCN	HEMISPHERE BRASS CANOPY CANOPY WITH HARDWARE	A	PT-HEMISPH	PART
LIGHTING	912036HBZCH	HEMISPHERE BRONZE 12 FT CHAIN .16" X 12 FT BRONZE CHAIN	A	PT-HEMISPH	PART
LIGHTING	912036HBZCH6	HEMISPHERE BRONZE 6 FT CHAIN .16" X 6 FT BRONZE CHAIN	A	PT-HEMISPH	PART
LIGHTING	912036HBZCC	HEMISPHERE BRONZE CANDLE COVER ANTIQUE BRONZE CANDLE COVER	A	PT-HEMISPH	PART
LIGHTING	912036HBZCN	HEMISPHERE BRONZE CANOPY CANOPY WITH HARDWARE	A	PT-HEMISPH	PART
LIGHTING	912036HSVCH	HEMISPHERE SILVER 12 FT CHAIN .16" X 12 FT SILVER CHAIN	A	PT-HEMISPH	PART
LIGHTING	912036HSVCH6	HEMISPHERE SILVER 6 FT CHAIN .16" X 6 FT SILVER CHAIN	A	PT-HEMISPH	PART
LIGHTING	912036HSVCN	HEMISPHERE SILVER CANOPY CANOPY WITH HARDWARE	A	PT-HEMISPH	PART

parts enclosed:

A	Wire Connector	3
B	Mounting Bracket	1
C	Mounting Screw	2
D	Canopy Screw	2
E	Canopy	1
F	Socket	1
G	Socket Ring	1



caution:

BEFORE INSTALLING THIS PENDANT, MAKE SURE THE POWER TO THE CIRCUIT IS TURNED OFF AT THE MAIN FUSE BOX / CIRCUIT BREAKER UTILITY BOX.

important safety instructions:

1. This pendant is meant for indoor use, DRY LOCATIONS ONLY.
2. The maximum weight of shade is 8lbs. Please do not use overweighed shade.
3. These instructions are provided for your safety. It is important that they are read carefully and completely before beginning the installation of this lighting fixture.
4. For your safety, it is strongly recommended that two people install the lighting fixture.
5. THIS PRODUCT MUST BE INSTALLED IN ACCORDANCE WITH THE APPLICABLE INSTALLATION CODES BY A PERSON FAMILIAR WITH THE CONSTRUCTION AND OPERATION OF THE PRODUCT AND THE HAZARDS INVOLVED.
6. Save these instructions.

warnings:

1. Do not remove the fixture from the packaging by pulling on the power cord as a bad connection or damage may result.
2. To reduce the risk of fire, electrical shock or personal injury, always turn off the chandelier and allow it to cool prior to replacing the light bulbs.
3. Do not touch the bulbs when the chandelier is turned on. Do not look directly at lit bulbs.
4. Keep flammable materials away from lit bulbs.

to assemble:

Remove all parts and hardware from the box along with any plastic protective packaging. Do not discard any contents until after assembly is complete to avoid accidentally discarding small parts or hardware.

1. SHUT OFF THE MAIN ELECTRICAL SUPPLY FROM THE MAIN FUSE BOX/CIRCUIT BREAKER.
2. Attach the Mounting Bracket (B) onto the Ceiling Outlet Box using Mounting Screws (C). Tighten the screws with a screwdriver until secure.
3. Gently pull wiring down from the ceiling junction box and allow it to hang. Thread the wires through the center hole on the Mounting Bracket (B).
4. Carefully inspect the fixture's wires. The NEUTRAL FIXTURE WIRE is usually white. The HOT FIXTURE WIRE is usually black. Attach the GROUND WIRE from the fixture to the GROUND JUNCTION BOX WIRE from the outlet (usually green). Fasten each together with a Wire connector (A) and wrap the connection with electrical tape. Be sure that no wire strands are exposed.

5. If your outlet box DOES NOT have a GROUND WIRE, insert the Green ground screw into the Mounting Bracket (B) facing DOWN, and wrap the fixture's green ground wire around the ground screw. IT IS IMPERATIVE THAT THE OUTLET BOX IN YOUR HOME BE PROPERLY GROUNDED!
6. Connect the neutral fixture wire to the neutral junction box wire. It usually has white insulation around it. Fasten these together with a plastic Wire Connector (A) and wrap the connection with electrical tape. Make sure that no wire strands are exposed.
7. Connect the hot fixture wire to the hot junction box wire. It usually has black insulation around it. Fasten these together with a plastic Wire Connector (A) and wrap the connection with electrical tape. Make sure that no wire strands are exposed. Do not reverse the hot and neutral connections or safety will be compromised.
8. Gently tuck the wire connections neatly into the ceiling outlet junction box.
9. Pull Canopy (E) up over the Mounting Bracket (B), using the Canopy Screws (D) and tighten them with a screwdriver.
10. Insert one 40W TYPE B Bulb (not included) into threaded socket (F).
11. If needed, remove the Socket Ring (G) and secure the Shade (not included) by tightening the Socket Ring (G) onto the Socket (F).
12. Restore power to junction box and test the fixture.
13. Installation is now completed.

care instructions:

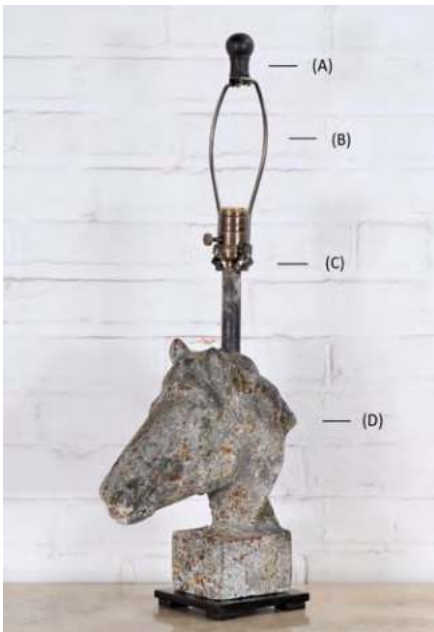
1. Wipe clean with a soft, dry cloth or static duster.
2. Always avoid the use of harsh chemicals or abrasive cleaners as they may cause damage to finish on the chandelier.

Horse Head Table Lamp

ARHAUS[®]
your home

parts enclosed:

- (A.) Finial (1)
- (B.) Harp (1)



important safety instructions:

1. To avoid the risk of fire, do not exceed the recommended wattage for this fixture.

MAX BULB WATTAGE: 250 W
BULB: 1 x A-19 (NOT INCLUDED)

warnings:

1. Do not remove the lamp from its packaging by pulling on the power cord, which could cause a bad connection.
2. To avoid the risk of fire, electrical shock, or personal injury, turn off lamp and allow it to cool prior to replacing light bulb.
3. Do not touch bulb when fixture is turned on or look directly at lit bulb.
4. Keep flammable materials away from lit bulb.

to assemble:

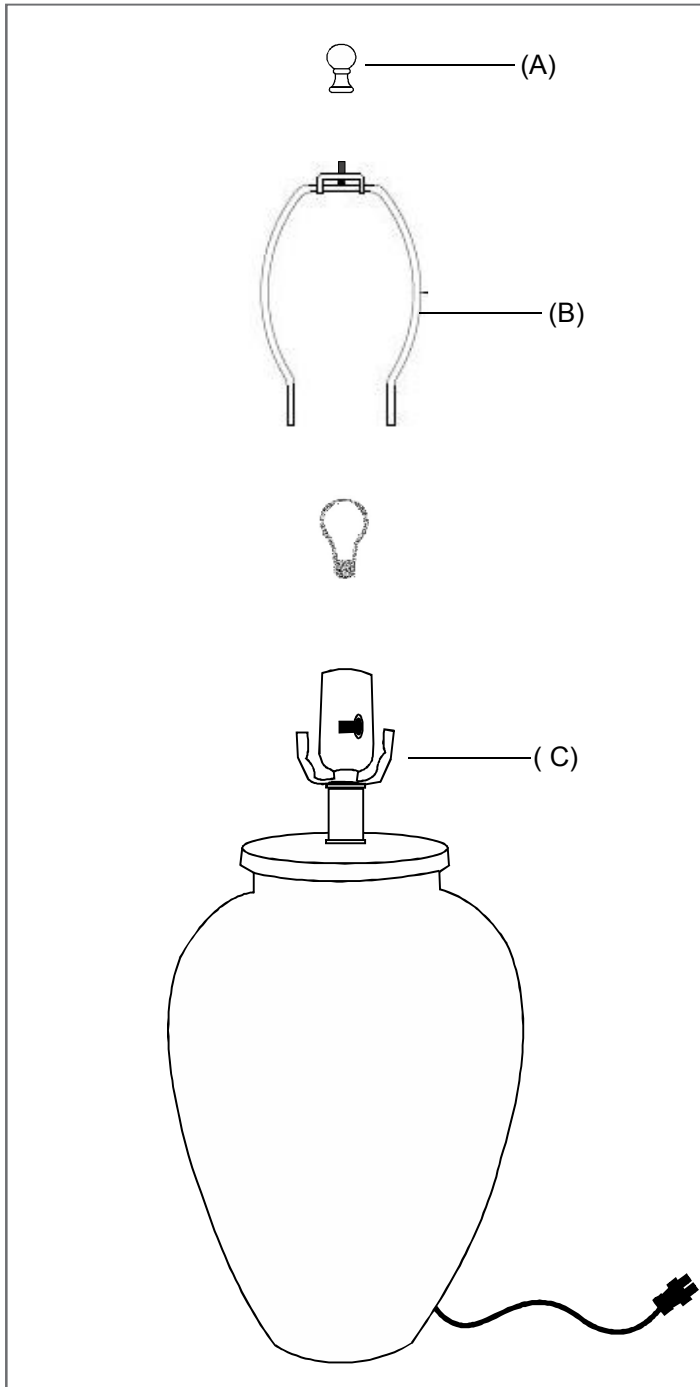
1. Remove lamp parts from carton.
2. Place the lamp base (D) on a flat surface.
3. Insert the harp (B) into the harp saddle (C).
4. Place the shade (not included) on to the harp (B).
5. Gently tighten the finial (A) and affix the shade in place.

care instructions:

Dust with a dry or dampened cloth or with a vacuum cleaner attachment

662889L670B HOWELL TABLE LAMP BASE**Parts Enclosed:**

- A) Finial
- B) Harp

**Important Safety Instruction:**

1. We recommend installation by a licensed electrician.
2. To avoid the risk of fire, do not exceed the recommended wattage for this fixture.

UL NO-E194404, UL Rating: Dry, Bulb Wattage: 100 W
conversion to max 23W SBCFL OR 9W SBLED
Bulb: 1x Type A (Not included)

Warnings:

1. Do not remove the lamp from its packaging by pulling on the power cord, as a bad connection may result.
2. To avoid the risk of fire, electrical shock, or personal injury, turn off lamp and allow it to cool prior to replacing the light bulb.
3. Do not touch the bulb when fixture is turned on or look directly at lit bulb.
4. Keep flammable material away from lit bulb

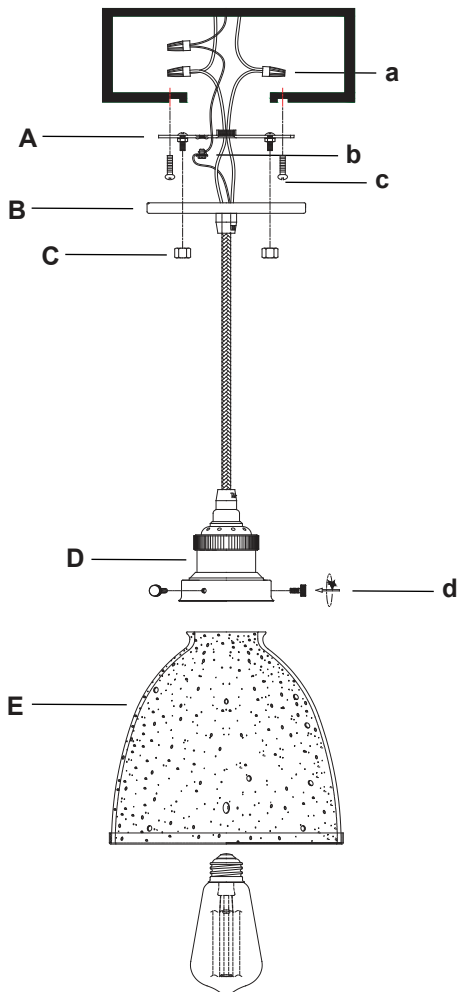
To Assemble:

1. Carefully remove all the parts from the box and remove all the protective coverings.
2. Turn OFF the power to the circuit breaker where the lamp will be installed.
3. Attach the Harp (B) to the Saddle (C).
4. Unscrew Finial (A) and place Shade on harp (B) and tighten finial (A) to harp (B).
5. Restore the power to the circuit breaker and test lamp fixture.

Care Instructions:

DO NOT use polishes or cleaners on your lamp.
wipe with soft, lint free cloth.

ASSEMBLY INSTRUCTIONS



IMPORTANT SAFETY INSTRUCTIONS:

The following instructions are provided for your safety. It is very important that they are read completely before beginning the installation of your light fixture.

WE RECOMMEND INSTALLATION BY A LICENSED ELECTRICIAN.

This fixture has been rated for up to (1) 40-watt maximum TYPE A bulb. To avoid the risk of fire, do not exceed the recommended wattage.

WARNINGS:

All wires are connected. When unpacking, be carefully not to pull wires as a bad connection might result. Do not connect electricity until your light fixture is fully assembled.

To reduce the risk of fire, electrical shock, or personal injury, always turn off light fixture and allow it to cool prior to replacing light bulb(s).

This light fixture may contain lead, a chemical known to the State of California to cause cancer, birth defects and other reproductive harm. Wash hands after installing, handling, cleaning or otherwise touching this light fixture.

TO ASSEMBLE:

1. Shut off the main electrical supply from the main fuse box/circuit breaker.
2. Carefully unpack all fixture parts and hardware. Lay items out on a clear workspace.
3. Attach the Glass Shade (E) into Metal Cover (D) then secure it by Bolts (d).
4. Insert the 40-watt Type A bulb (not included).
5. Attach the ground wire from the fixture to the ground junction box wire from the outlet box (Usually green or bare wire). Or wrap the fixture's ground wire around Green ground screw (b), and then fix the green ground screw into the Mounting Plate (A).
6. Connect the hot wire to the hot junction box wire (usually black or smooth) with a Plastic Wire Connector (a) and wrap the connection with electrical tape. Connect the neutral wire to the neutral junction box wire (usually white or ribbed) with a Plastic Wire Connector (a) and wrap the connection with electrical tape.
7. Attach the Mounting Plate (A) to the ceiling outlet box using the Mounting Screws (c). Tighten with a screwdriver.
8. Attach the Canopy (B) to the Mounting Plate (A) using the Screw Head (C) and thread onto the Mounting Plate (A) by turning in a clockwise direction until the Canopy (B) is flush with the ceiling.
9. Restore power to the junction box and test fixture.
10. Assembly is complete.

PARTS ENCLOSED:

- (A) Mounting Plate (1)
- (B) Canopy (1)
- (C) Screw Head (2)
- (D) Metal Cover (1)
- (E) Glass Shade (1)

HARDWARE INCLUDED:

- (a) Plastic Wire Connector (3)
- (b) Green Ground Screw (1)
- (c) Mounting Screw (2)
- (d) Bolt (3)

RECOMMENDED CARE

Wipe clean using a soft, dry cloth or static duster.

Always avoid the use of harsh chemicals and abrasives to clean light fixture as they may damage the finish.



This Product is Listed to applicable UL Standard and requirements by UL.