

ARHAUS®

# LIGHTING

PRODUCT HANDOUTS

---

ASSEMBLY GUIDES

SEPTEMBER 2022

# ABILENE LARGE PENDANT

## SAFETY, INSTALLATION & CARE INSTRUCTIONS

### IMPORTANT SAFETY INSTRUCTIONS

We strongly recommend that all direct-wired lighting products be installed by a licensed electrician.

Two people may be required for installation. DO NOT EXCEED the rated bulb wattage. Keep flammable materials away from bulb. This light fixture is shipped with all internal wiring intact. Do not open the product or alter the wiring in any manner.

Installation requires an electrical junction box in the ceiling sufficient to support the weight of the light fixture. This fixture weighs: 6.450 Kgs / 14.200 LBS



**WARNING:** Be certain that the power to the electrical junction box is turned off at the circuit breaker before installation. Turning the power off at a light switch is not sufficient to prevent electrical shock.

### CAUTION:

Prior to installation, locate ALL PARTS INCLUDED before disposing of packaging materials.

### Tools Required for Installation (Not Included):

Screwdriver	Pliers
Electrical Tape	Adjustable Wrench
Wire Cutters	

Note: Additional wiring supplies may be required.

### Parts Included/Referenced (See Figure 1):

Part	Qty.	Description	Part	Qty.	Description
A.	1	Ceiling Outlet Junction Box	L.	3	Wire Connectors
B.	1	Ground Junction Box Wire	M.	1	Canopy
C.	1	Hot Junction Box Wire	N.	2	Decorative Screws
D.	1	Neutral Junction Box Wire	O.	1	Pendant
F.	1	Mounting Bracket	R.	1	Light Bulb (Not Included)
G.	4	Mounting Screws			
H.	1	Ground Screw			
I.	1	Ground Wire			
J.	1	Hot Fixture Wire			
K.	1	Neutral Fixture Wire			

### Important Safety Instructions:

For your safety, use of a two-person installation team is strongly recommended.

This product must be installed in accordance with the applicable installation codes by a person familiar with the construction and operation of the product and the hazards involved.

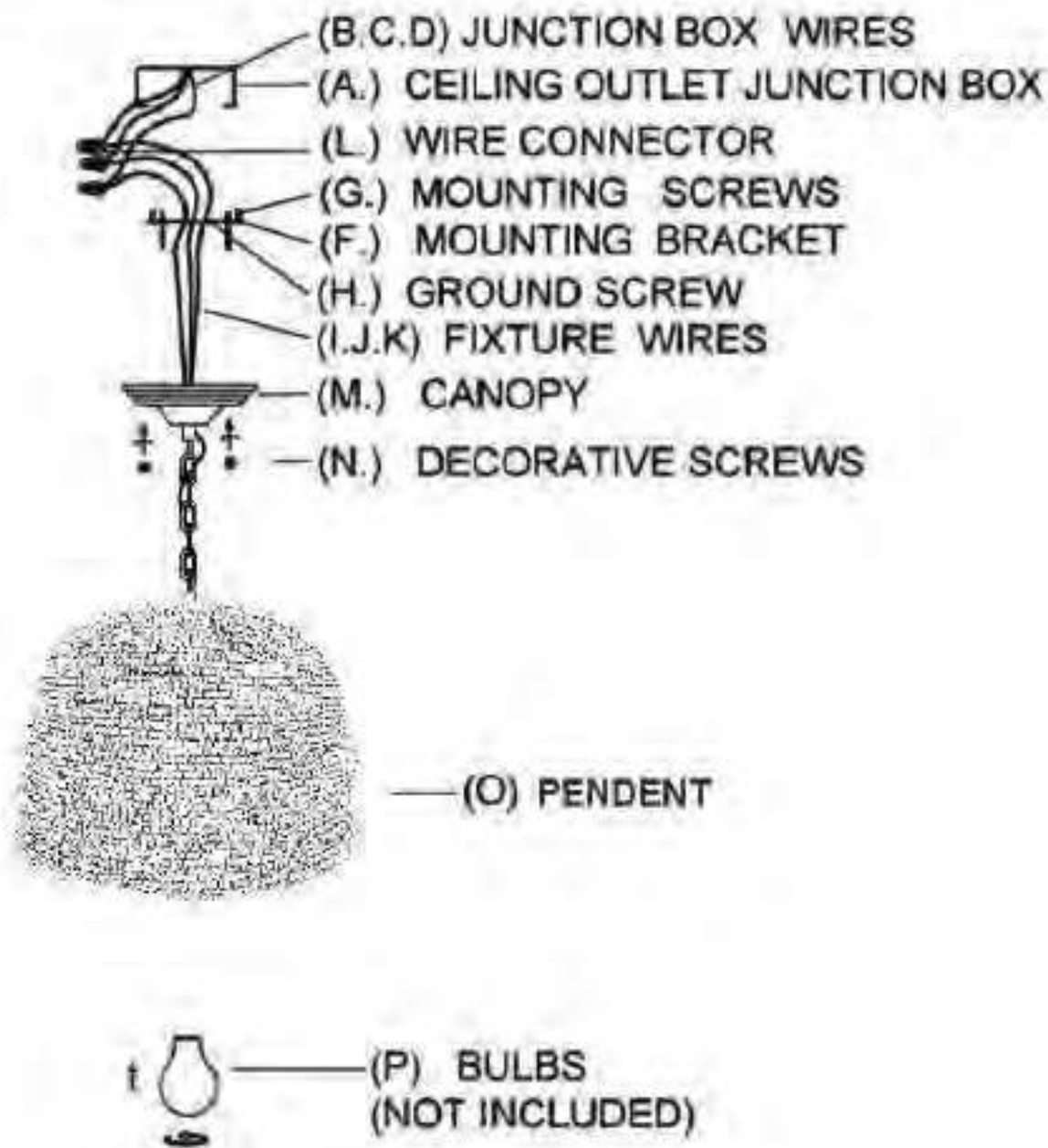
This fixture has been rated for up to one (1) 60W maximum Type A incandescent light bulb (not included). To avoid the risk of fire, do not exceed the recommended wattage.

This fixture is meant for indoor use in dry locations only.

### Installation Procedure (See Figure 1):

1. SHUT OFF THE MAIN ELECTRICAL SUPPLY FROM THE MAIN FUSE BOX/CIRCUIT BREAKER.
2. Carefully unpack all fixture parts and hardware and lay them out on a clean work surface.
3. Remove the Mounting Bracket (F) from the Canopy (M) by loosening the Mounting Screws (G).
4. Determine the desired lighting fixture suspension length from the ceiling, allowing 6" (15.24cm) of extra cord length for the Ceiling Outlet Junction Box (A) wire connections as noted below.
5. Adjust the fixture's power cord from the Canopy (M) based on the measurement taken in above step.
6. If needed, cut off any extra length of wire cord cable. When cutting the power cord, be sure to cut it so that it is at least 6" (15.24cm) long inside the Ceiling Outlet Junction Box (A). To prepare the cut power cord for the installation process, use wire strippers to prepare the ends of the two wires so that there is about 1/2" (1.27cm) of exposed wire for the plastic Wire Connectors (L).
7. Gently pull existing Ground (B), Hot (C), and Neutral (D) Junction Box Wires down from the Ceiling Junction Box (A) and allow them to hang.
8. Carefully inspect the chandelier's fixture wires: The Neutral Fixture Wire (K) is White, The Hot Fixture Wire (J) is Black, and the Ground Wire (I) is Green.
9. Attach the Ground Wire (I) from the fixture to the Ground Junction Box Wire (B); it usually has green insulation around it or is bare wire. Fasten them together with a Wire Connector (L) and wrap the connection with electrical tape. Make sure that no wire strands are exposed. If your Ceiling Outlet Junction Box (A) does not have a Ground Junction Box Wire (B), insert the Ground Screw (H) into the Mounting Bracket (F) where it's marked "Ground", and wrap the fixture's bare ground wire around the Ground Screw (H). Tighten the screw to clamp the Ground Junction Box Wire (B) between the Ground Screw (H) head and the Mounting Bracket (F). It is imperative that the Ceiling Junction Box (A) in your home be properly grounded.
10. Connect the Neutral Fixture Wire (K) to the Neutral Junction Box Wire (D); it usually has white insulation around it. Fasten them together with a plastic Wire Connector (L) and wrap the connection with electrical tape. Make sure that no wire strands are exposed.
11. Connect the Hot Fixture Wire (J) to Hot Junction Box Wire (C); it usually has black insulation around it. Fasten them together with a plastic Wire Connector (L) and wrap the connection with electrical tape. Make sure that no wire strands are exposed. Do not reverse the hot and neutral connections or safety will be compromised.
12. Gently tuck the wire connections neatly into the Ceiling Outlet Junction Box (A).
13. Attach the Mounting Bracket (F) to the Ceiling Outlet Junction Box (A) using the Mounting Screws (G). Tighten screws with a Screwdriver until secure.
14. Slide the Canopy (M) up the cord and secure the Canopy (M) to the ceiling by screwing the Decorative Screws (N) into place.
15. Insert one (1) 60W -maximum Type A incandescent light bulb (P) (not included). Do not exceed the specified wattage.
16. Restore power to Ceiling Outlet Junction Box (A) and test the fixture.

**Installation Procedure (Figure 1):**

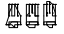

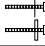












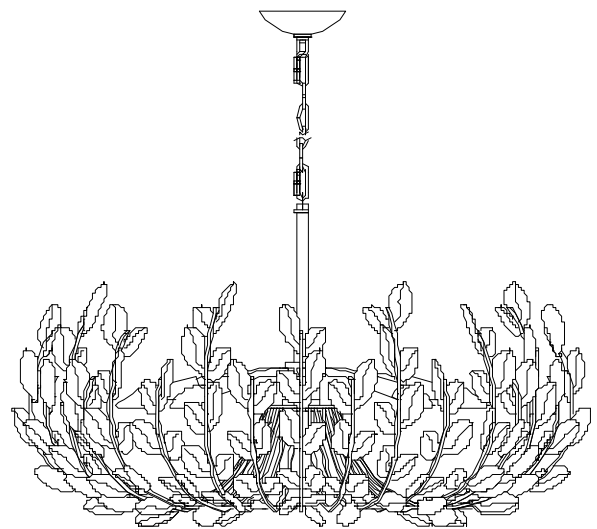
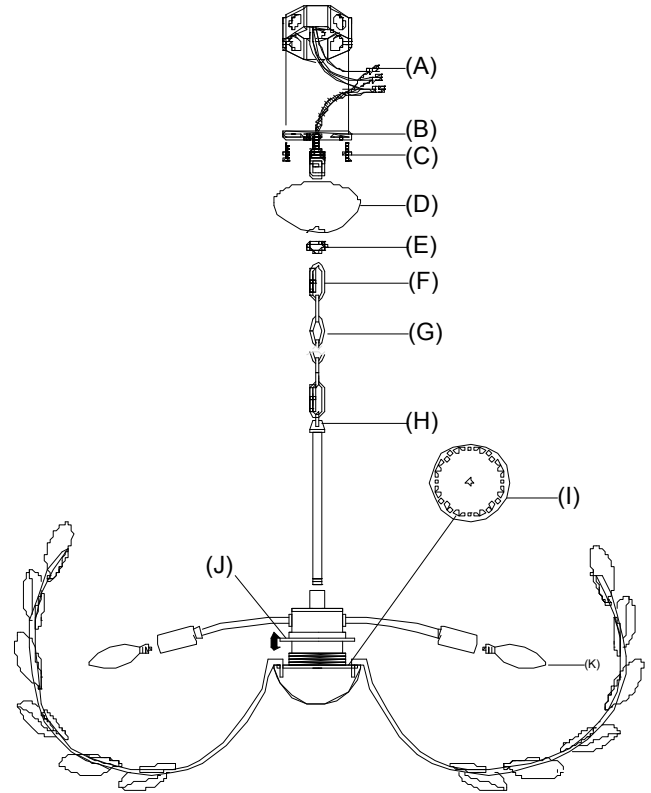
**CARE & CLEANING:**

To clean, wipe the fixture ONLY with a soft, dry cloth.

SAVE THESE INSTRUCTIONS

parts enclosed:

ITEM	DIAGRAM	DESCRIPTION	QTY
(A)		Wire Connectors	3
(B)		Mounting Plate with ceiling loop	1
(C)		Mounting Screw	2
(D)		Canopy	1
(E)		Lock Collar	1
(F)		Quick Link	2
(G)		Chain	1*144"L
(H)		Fixture Loop	1
(I)		Fixture Housing	1
(J)		Housing Cap	1
(K)		Bulb (not included)	8
(L)		Arms with Six Leaves	16
(M)		Arms with Three Leaves	16



## important safety instructions:

### CONSULT A QUALIFIED ELECTRICIAN TO ENSURE CORRECT BRANCH CIRCUIT CONDUCTOR.

1. We recommend installation by a licensed electrician.
2. To avoid the risk of fire, do not exceed the recommended wattage of six 9-watt Type B LED lightbulb (60-watt Type B incandescent equivalent) for this fixture.

## warnings:

1. All wires are connected. When unpacking, be carefully not to remove the fixture from packaging by pulling on the power cord as a bad connection may result. Do not connect electricity until the fixture is fully assembled.
2. To reduce the risk of fire, electrical shock, or personal injury, always turn off fixture and allow it to cool prior to replacing the light bulb.
3. Do not touch bulb when fixture is turned on or look directly at lit bulb.
4. Keep flammable materials away from lit bulb.

## to assemble:

1. Carefully remove all parts from the box and remove all protective coverings. Take care not to lose any small parts.
2. Turn OFF power at the outlet box where the lamp will be installed.
3. Attach the Mounting Plate (B) to outlet box using the Mounting Screws (C), tighten with a screwdriver. Ensure the side of the Mounting Plate (B) marked "GND" is facing out.
4. Determine the desired hanging height, and connect the numbers of Chain (G) needed for proper hanging height, use a pair of pliers to open one end link of the Chain (G) and discard un-wanted chain. Attach the Chain (G) to the Fixture Loop (H) by Quick Link (F).
5. Slip Lock Collar (E) and Canopy (D) through over the Chain (G), then connect the other end of Chain (G) to Ceiling Loop (pre-assembled on mounting plate) by Quick Link (F). Feed the fixture wire through Fixture Loop (H), Chain (G), Lock Collar (E), Canopy (D), and Ceiling Loop (B), pull fixture wire until taut.

6. While holding the fixture, connect the black wire from fixture to the hot wire (usually black or smooth) from the outlet box using a wire connector (A). Connect the white wire from fixture to the neutral wire (usually white or ribbed) from the outlet box using a wire connector (A). **DO NOT REVERSE THE HOT AND NEUTRAL WIRE CONNECTIONS; OTHERWISE, SAFETY WILL BE COMPROMISED.**
7. If the outlet box has a ground wire (green or bare copper), connect the green ground wire from the fixture to it using a wire connector (A). If the outlet box does not have a ground wire, connect the green ground wire from the fixture to the green ground screw provided on the Mounting Plate (B).
9. Tuck these wire connections neatly into the outlet box, raise the Canopy (D) all the way to the ceiling, and raise the Lock Collar (E) and thread it onto the Ceiling Loop protruding through the Canopy (D).
10. Loosen the Housing Cap (J) by unscrewing it from the Fixture Housing (I).
11. Randomly select a square hole on the top of Fixture Housing, firstly insert an Arm (L), then insert an Arm (M) by sequence.
12. Repeat the actions of inserting Arm (L) and Arm (M), until all the Arms are inserted.
13. Screw the Housing Cap (J) onto the Fixture Housing (I) until taut.
14. Install the proper light bulb (K) in accordance with the fixture's specifications (**DO NOT EXCEED THE SPECIFIED WATTAGE RATING**).
15. Installation is completed. Turn on the power at the circuit breaker or fuse box. Turn the light switch to activate the fixture.

## care instructions:

Wipe all surfaces with a soft, dry cloth. Do not use any harsh cleaners (including ammonia-based products) or abrasives on our lamp, as they will damage the finish.

## ADRANO GOLD TABLE LAMP BASE

**parts enclosed:**

- A. Shade Finial (1)
- B. Harp (1)

**important safety instructions:**

1. To avoid the risk of fire, do not exceed the recommended wattage for this fixture.

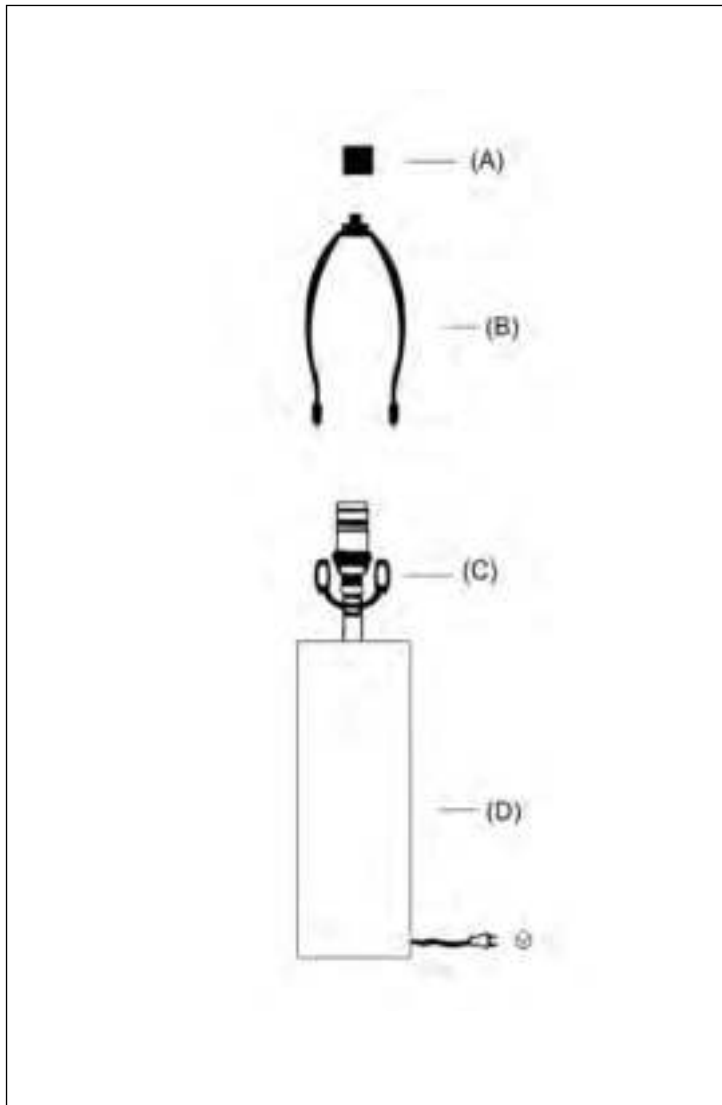
UL NO:E364786,UL RATING: DRY, MAX BULB WATTAGE: 150 W  
CONVERSION TO MAX LED WATTAGE: 28 W  
BULB: 1 X A-19 (NOT INCLUDED)

**warnings:**

1. Do not remove the lamp from its packaging by pulling on the power cord, as a bad connection may result.
2. To avoid the risk of fire, electrical shock, or personal injury, turn off lamp and allow it to cool prior to replacing light bulb.
3. Do not touch bulb when fixture is turned on or look directly at lit bulb.
4. Keep flammable materials away from lit bulb.

**to assemble:**

1. Remove lamp parts from carton.
2. Remove protective guard from Saddle (C).
3. Place the lamp base (D) on a flat surface.
4. Place the harp (B) on the saddle (C).
5. Remove the finial (A) from the harp (B).
6. Place the shade on to the harp (B).
7. Gently tighten the finial (A) and affix the shade in place.

**care instructions:**



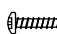
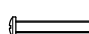






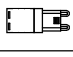

Do not use polishes or cleaners on your lamp. Just wipe with soft, lint free cloth.

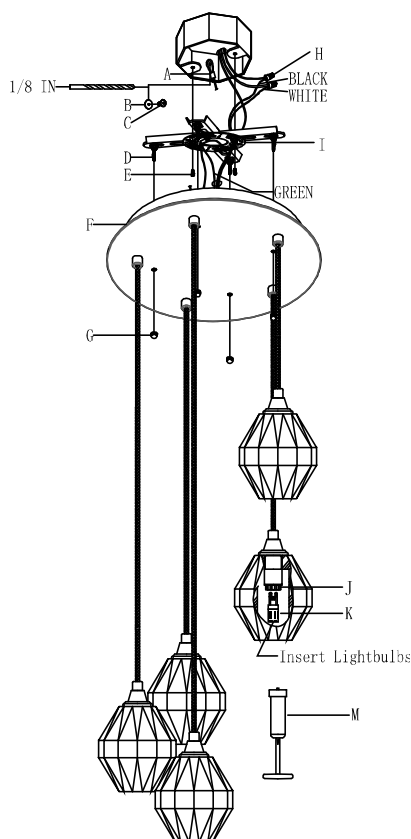
# PARTS INVENTORY

Super Category	Product ID	Description	Stat	Collection	Route
LIGHTING	911989L0560F	ADRANO TABLE LAMP FINIAL BRUSHED NICKEL FINIAL	A	PT-ADRANO	PART
LIGHTING	911989L0560H	ADRANO TABLE LAMP HARP NICKEL HARP	A	PT-ADRANO	PART



**parts enclosed:**

ITEM	DIAGRAM	DESCRIPTION	QTY
(A)		Support cable and bracket assy	1
(B)		Steel flat washer	1
(C)		Wood screw	1
(D)		Steel screws	4
(E)		Mounting screws	2
(F)		Fixture base	1
(G)		Nuts	4
(H)		Wire connectors	6
(I)		Fixture plate	1
(J)		Socket ring	5
(K)		Bulb (pre-assembled)	5
(M)		Tool	1



**important safety instructions:**

1. We recommend installation by a licensed electrician.
2. To avoid the risk of fire, do not exceed the recommended wattage for this fixture.

**warnings:**

1. Do not remove the lamp from its packaging by pulling on the power cord, as a bad connection may result.
2. To avoid the risk of fire, electrical shock, or personal injury, turn off lamp and allow it to cool prior to replacing light bulb.
3. Do not touch bulb when fixture is turned on or look directly at lit bulb.
4. Keep flammable materials away from lit bulb.

**to assemble:**

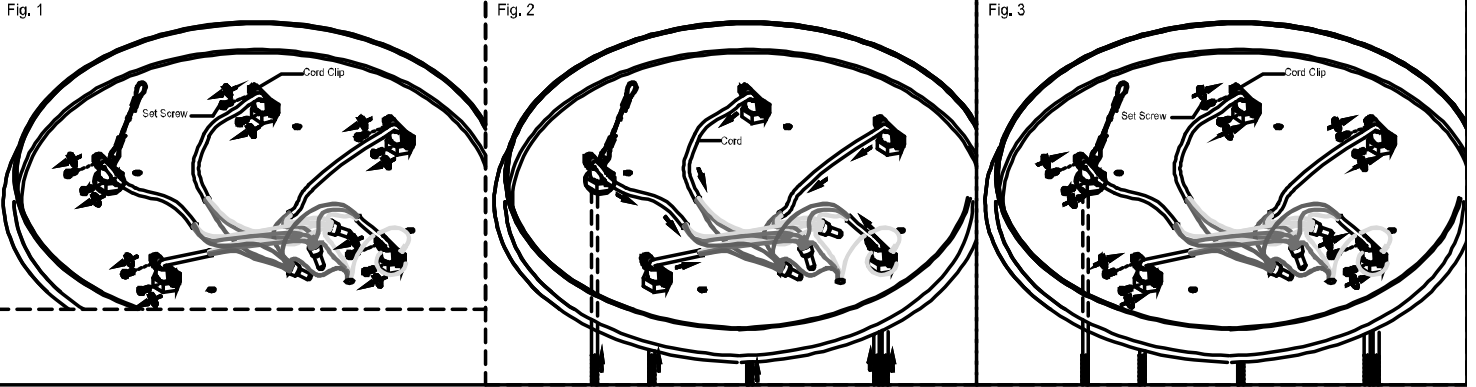
1. Carefully remove all parts from the box and remove all protective coverings.
2. Turn OFF power to the junction box where the lamp will be installed.
3. Using a 1/8 in. frill bit, drill a pilot hole for Support cable (A) inside of the junction box.
4. Assemble Wood screw (C) into Washer (B) and through the loop in Support Cable (A) and insert into the previously drilled pilot hole inside the junction box.
5. Pull Support Cable (A) through the Mounting Plate (I).
6. Install Fixture plate (I) to outlet box using Mounting screws (E.)
7. Pull wire from ceiling outlet box, and attach ground wire (usually green of bare wire) from ceiling box to ground wire on Fixture Plate (I) with a screw.
8. Attach positive wire from ceiling (usually black or smooth) to positive wire on fixture with a Wire Connector (H) and wrap this connector with electrical tape.
9. Attach neutral wire from ceiling box (usually white or ribbed) with neutral wire on the fixture with a Wire Connector (H), and wrap this connector with electrical tape.
10. Attach Fixture base (F) onto ceiling and secure tightly using Nuts (G).
11. Insert the light bulbs (I).
12. Restore power to the junction box and test ceiling light fixture.
13. If the bulb doesn't work, use Tool (J) to unscrew Socket ring (H) inside of the crystal shade first, and take off the crystal shade to change the bulb.

**care instructions:**

Do not use polishes or cleaners on your chandelier.

WIPE WITH A CLEAN SOFT CLOTH

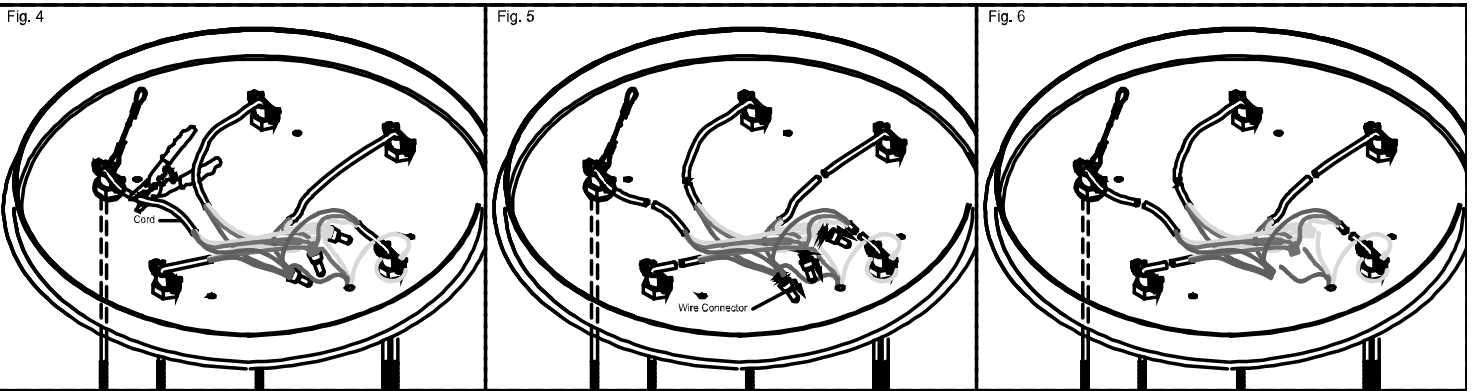
## Height adjustment instructions



1. Loosen set screws on the top of the cord clips.

2. Determine the hanging length for each crystal light. Pull the hanging cords out through the cord clips to desired length.

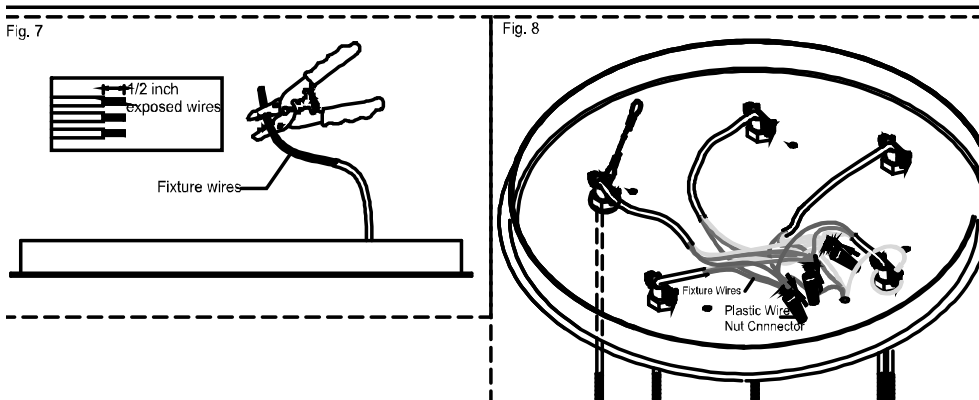
3. Replace set screws and tighten to lock hanging cord in place.



4. Cut off the pulled out cords with the wire cutter provided.

5. Remove the wire connectors using the pliers.














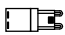
6. Take apart the connection cord and set aside.

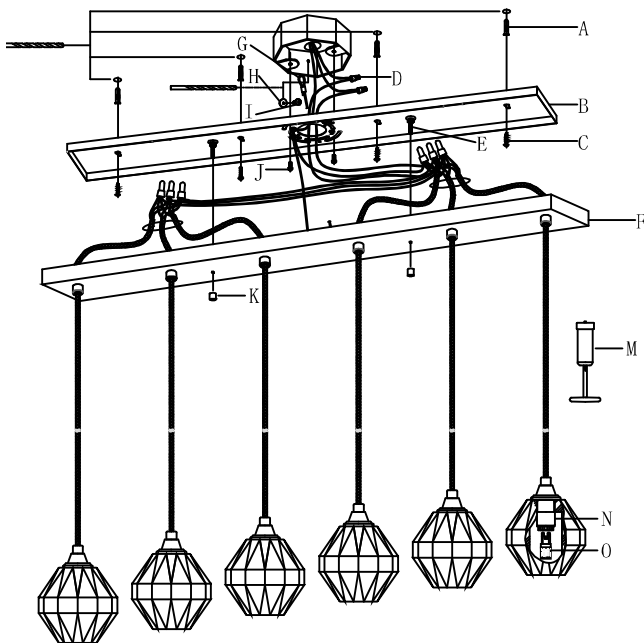


7. Use a pair of wire strippers to remove about  $1/2 \pm$  of the insulation from each wire.

8. Reconnect the wire ends and secure with the plastic nut connectors.

**parts enclosed:**

ITEM	DIAGRAM	DESCRIPTION	QTY
(A)		Plastic anchors	4
(B)		Mounting plate & Green ground	1
(C)		Mounting screws	4
(D)		Wire connectors	9
(E)		Screws & hex nut (pre-assembled)	2
(F)		Fixture base	1
(G)		Support cable and bracket assy	1
(H)		Steel flat washer	1
(I)		Wood screw	1
(J)		Steel screws	6
(K)		Cylinder nut	2
(M)		Tool	1
(N)		Socket Ring (pre-assembled)	6
(O)		Bulb	6



**important safety instructions:**

1. We recommend installation by a licensed electrician.
2. To avoid the risk of fire, do not exceed the recommended wattage for this fixture.

**warnings:**

1. Do not remove the lamp from its packaging by pulling on the power cord, as a bad connection may result.
2. To avoid the risk of fire, electrical shock, or personal injury, turn off lamp and allow it to cool prior to replacing light bulb.
3. Do not touch bulb when fixture is turned on or look directly at lit bulb.
4. Keep flammable materials away from lit bulb.

**to assemble:**

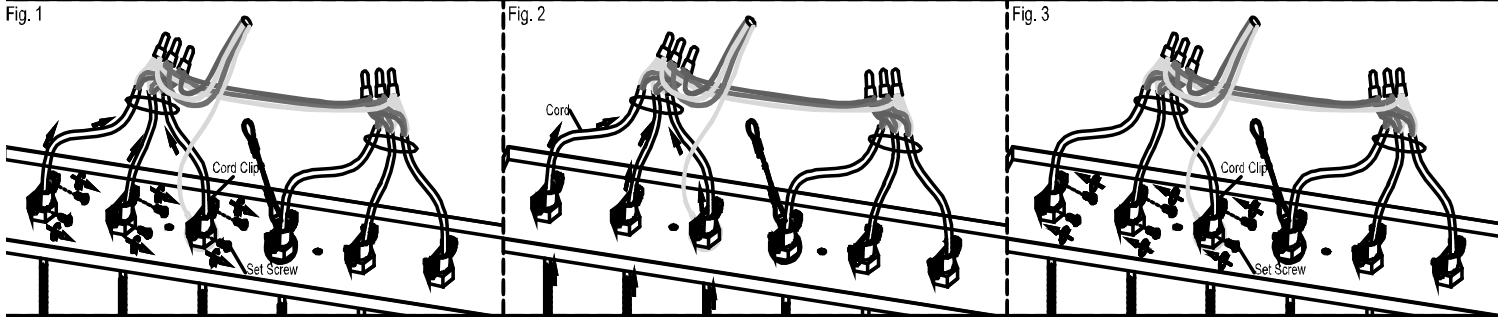
1. Carefully remove all parts from the box and remove all protective coverings.
2. Turn OFF power to the junction box where the lamp will be installed.
3. Using a 3/8 in. drill bit, pre-drill holes to install Plastic anchors (A).
4. Using Mounting screws (C) through the pre-drilled holes in the ceiling and assemble with Plastic anchors (A).
5. Using Screws (E) on Mounting plate (B) to the junction box.
6. Using a 1/8 in. drill bit, drill a pilot hole for Wood screw (I) in the center of Mounting plate (B) about 7 in. from the end. Assemble Wood screw (I) into Steel flat washer (H) and through the loop in Support cable (G) and into the previously drilled pilot in Mounting plate (B).
7. Pull wire from ceiling outlet box, and attach ground wire (usually green of bare wire) from ceiling box to ground wire on Mounting Plate (B) with a screw.
8. Attach positive wire from ceiling (usually black or smooth) to positive wire on fixture with a Wire Connector (D) and wrap this connector with electrical tape.
9. Attach neutral wire from ceiling box (usually white or ribbed) with neutral wire on the fixture with a Wire Connector (D), and wrap this connector with electrical tape.
10. Push up Fixture base (F) to the ceiling and screw Cylinder nuts (K) onto Fixture base (F).
11. Insert the light bulbs (O).
12. Restore power to the junction box and test ceiling light fixture.
13. If the bulb doesn't work, use Tool (M) to unscrew Socket ring (N) inside of the crystal shade first, and take off the crystal shade to change the bulb.

**care instructions:**

Do not use polishes or cleaners on your chandelier.

WIPE WITH A CLEAN SOFT CLOTH

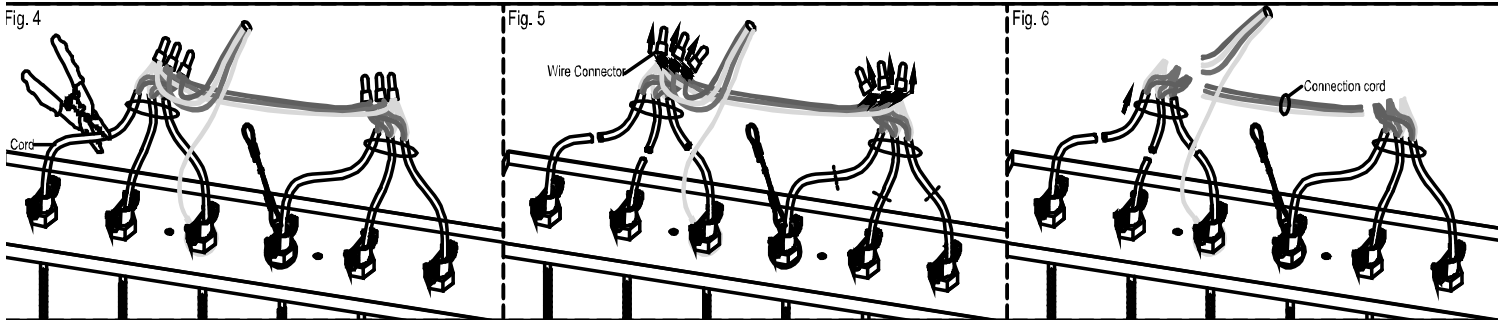
## Height adjustment instructions



1. Loosen set screws on the top of the cord clips.

2. Determine the hanging length for each crystal light. Pull the hanging cords out through the cord clips to desired length.

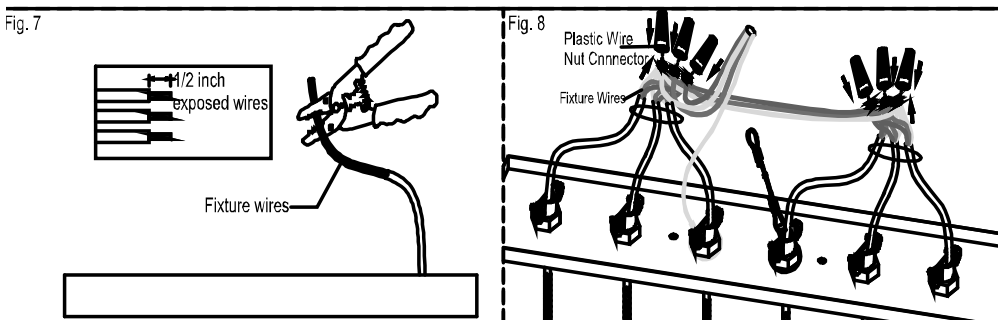
3. Replace set screws and tighten to lock hanging cord in place.



4. Cut off the pulled out cords with the wire cutter provided.

5. Remove the wire connectors using the pliers.




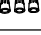






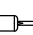



6. Take apart the connection cord and set aside.

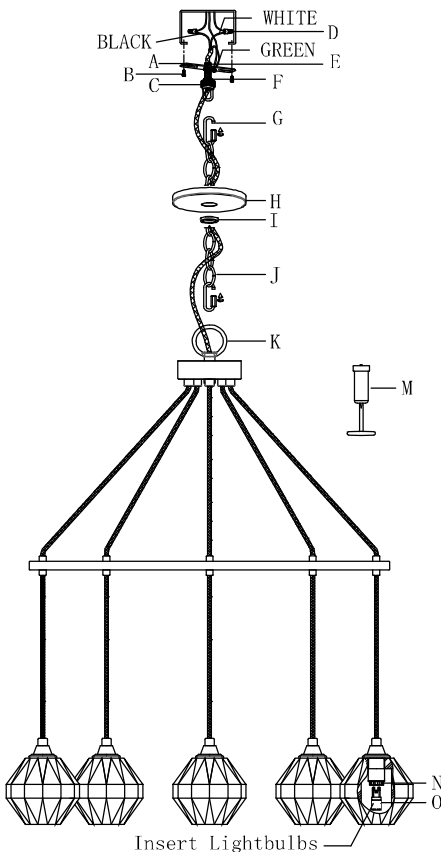


7. Use a pair of wire strippers to remove about  $1/2 \pm$  of the insulation from each wire.

8. Reconnect the wire ends and secure with the plastic nut connectors.

**parts enclosed:**

ITEM	DIAGRAM	DESCRIPTION	QTY
(A)		Mounting Plate & Green Ground	1
(B)		Mounting Screw	2
(C)		Ceiling Loops	1
(D)		Wire Connectors	3
(E)		Threaded Tube	1
(F)		Hex Nut	2
(G)		Quick Links	2
(H)		Canopy	1
(I)		Lock Collar	1
(J)		Chain	1
(K)		Top Ring	1
(M)		Tool	1
(N)		Socket Ring (pre-assembled)	5
(O)		Bulb	5



**important safety instructions:**

1. We recommend installation by a licensed electrician.
2. To avoid the risk of fire, do not exceed the recommended wattage for this fixture.

**warnings:**

1. Do not remove the lamp from its packaging by pulling on the power cord, as a bad connection may result.
2. To avoid the risk of fire, electrical shock, or personal injury, turn off lamp and allow it to cool prior to replacing light bulb.
3. Do not touch bulb when fixture is turned on or look directly at lit bulb.
4. Keep flammable materials away from lit bulb.

**to assemble:**





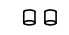


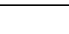
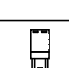
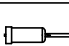
1. Carefully remove all parts from the box and remove all protective coverings.
2. Turn OFF power to the junction box where the lamp will be installed.
3. Install the mounting plate (A) with mounting screws (B) to the junction box.
4. Screw Threaded tube (E) and Hex nuts (F) onto the mounting plate. Then screw Ceiling loop (C) on Threaded tube (E).
5. Weave the wires through Top ring (K), Chain (J), Lock collar (I) and Canopy. Open one Quick link (G). Attach Quick link (G) with Ceiling loop (C) and top of Chain (J) and close Quick link (G).
6. Open another Quick link (G). Attached Quick link (G) with Top ring (K) and bottom of Chain (J).
7. Pull wire from ceiling outlet box, and attach ground wire (usually green or bare wire) from ceiling box to ground wire on Mounting Plate (A) with a screw.
8. Attach positive wire from ceiling (usually black or smooth) to positive wire on fixture with a Wire Connector (D) and wrap this connector with electrical tape.
9. Attach neutral wire from ceiling box (usually white or ribbed) with neutral wire on the fixture with a Wire Connector (D), and wrap this connector with electrical tape.
10. Push up the canopy (H) to the ceiling and screw Lock Collar (I) onto Ceiling Loop (C).
11. Insert the light bulbs (O).
12. Restore power to the junction box and test ceiling light fixture.
13. If the bulb doesn't work, use Tool (M) to unscrew Socket ring (N) inside of the crystal shade first, and take off the crystal shade to change the bulb.

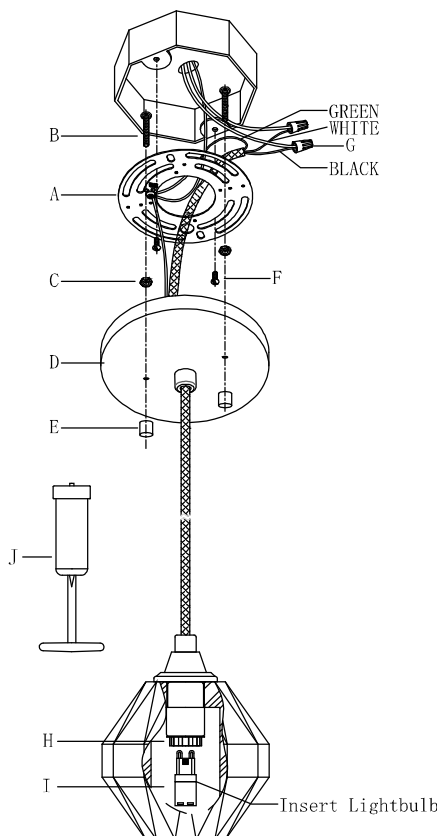
**care instructions:**

Do not use polishes or cleaners on your chandelier.

WIPE WITH A CLEAN SOFT CLOTH

**parts enclosed:**

ITEM	DIAGRAM	DESCRIPTION	QTY
(A)		Round mounting plate & green ground	1
(B)		Screws	2
(C)		Hex nut	2
(D)		Canopy	1
(E)		Cylinder nut	2
(F)		Mounting Screws	2
(G)		Wire connectors	3
(H)		Socket ring (pre-assembled)	1
(I)		Bulb	1
(J)		Tool	1



**important safety instructions:**

1. We recommend installation by a licensed electrician.
2. To avoid the risk of fire, do not exceed the recommended wattage for this fixture.

**warnings:**

1. Do not remove the lamp from its packaging by pulling on the power cord, as a bad connection may result.
2. To avoid the risk of fire, electrical shock, or personal injury, turn off lamp and allow it to cool prior to replacing light bulb.
3. Do not touch bulb when fixture is turned on or look directly at lit bulb.
4. Keep flammable materials away from lit bulb.

**to assemble:**







1. Carefully remove all parts from the box and remove all protective coverings.
2. Turn OFF power to the junction box where the lamp will be installed.
3. Insert screw (B) into Round mounting plate (A) with Hex nut (C).
4. Install Round mounting plate (A) to outlet box using Mounting screws (F).
5. Pull the ground wire from ceiling outlet box, and attach ground wire (usually green of bare wire) from ceiling box to ground wire on Mounting Plate (A) with a screw.
6. Attach positive wire from ceiling (usually black or smooth) to positive wire on fixture with a Wire Connector (D) and wrap this connector with electrical tape.
7. Attach neutral wire from ceiling box (usually white or ribbed) with neutral wire on the fixture with a Wire Connector (D), and wrap this connector with electrical tape.
8. Secure the fixture to the ceiling using two Cylinder nuts (E).
9. Insert the light bulbs (I).
10. Restore power to the junction box and test ceiling light fixture.
11. If the bulb doesn't work, use Tool (J) to unscrew Socket ring (H) inside of the crystal shade first, and take off the crystal shade to change the bulb.

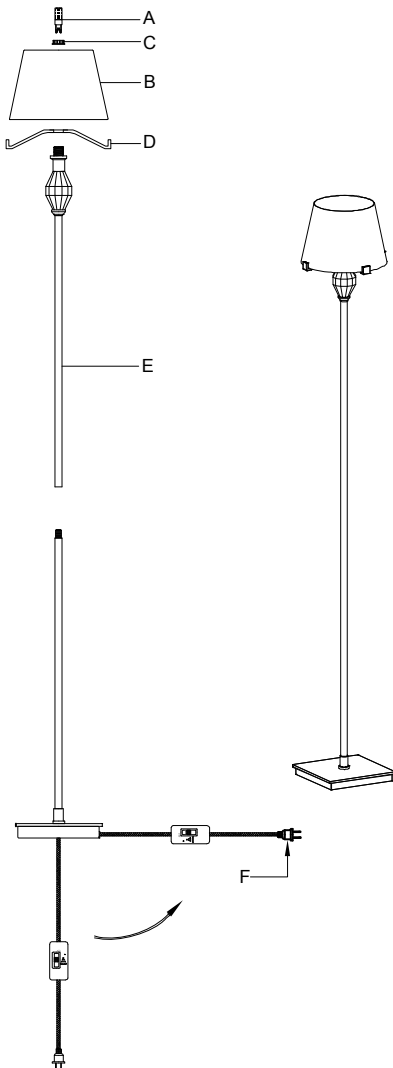
**care instructions:**

Do not use polishes or cleaners on your pendant.

WIPE WITH A CLEAN SOFT CLOTH

**parts enclosed:**

ITEM	DIAGRAM	DESCRIPTION	QTY
(A)		Light Bulb	1
(B)		Shade	1
(C)		Socket Ring	1
(D)		Bracket	1
(E)		Upper Pole	1
(F)		Plug	1



**important safety instructions:**

1. This portable luminaire has a polarized plug (one blade is wider than the other) as a feature to reduce the risk of electric shock. This plug will fit in a polarized outlet only one way. If the plug does not fit fully in the outlet, reverse the plug. If it still does not fit, contact a qualified electrician. Never use with an extension cord unless plug can be fully inserted. Do not alter the plug.
2. To avoid the risk of fire, do not exceed the recommended wattage of one 4.5- watt Type G9 LED lightbulb (25-watt incandescent bulb equivalent) for this fixture.

**warnings:**

1. Do not remove the lamp from its packaging by pulling on the power cord, as a bad connection may result.
2. To avoid the risk of fire, electrical shock, or personal injury, turn off lamp and allow it to cool prior to replacing light bulb.
3. Do not touch bulb when fixture is turned on or look directly at lit bulb.
4. Keep flammable materials away from lit bulb.






**to assemble:**

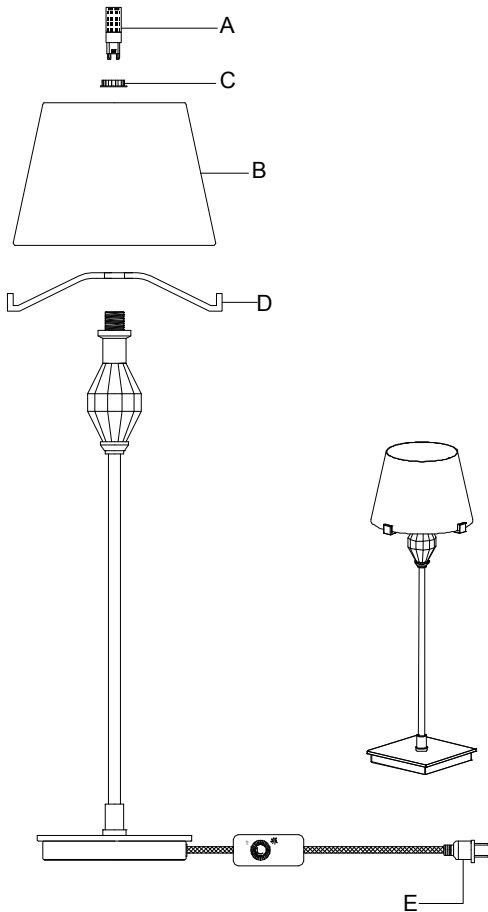
1. Carefully remove all parts from the box and remove all plastic coverings.
2. Carefully lay the floor base flat, and pull out the cord. Assemble the Upper Pole (E) onto the lamp body and screw tightly.
3. Place the Bracket (D) and the Shade (B) onto the socket, secure them with the Socket Ring (C).
4. Insert the Light Bulb (A) into the socket.
5. Assembly is complete.
6. Insert the Plug (F) into proper electrical outlet and test the lamp.

**care instructions:**

Wipe all surfaces with a soft, dry cloth. Do not use any harsh cleaners (including ammonia-based products) or abrasives on our lamp, as they will damage the finish.

**parts enclosed:**

ITEM	DIAGRAM	DESCRIPTION	QTY
(A)		Light Bulb	1
(B)		Shade	1
(C)		Socket Ring	1
(D)		Bracket	1
(E)		Plug	1



**important safety instructions:**

1. This portable luminaire has a polarized plug (one blade is wider than the other) as a feature to reduce the risk of electric shock. This plug will fit in a polarized outlet only one way. If the plug does not fit fully in the outlet, reverse the plug. If it still does not fit, contact a qualified electrician. Never use with an extension cord unless plug can be fully inserted. Do not alter the plug.
2. To avoid the risk of fire, do not exceed the recommended wattage of one 4.5- watt Type G9 LED lightbulb (25-watt incandescent bulb equivalent) for this fixture

**warnings:**

1. Do not remove the lamp from its packaging by pulling on the power cord, as a bad connection may result.
2. To avoid the risk of fire, electrical shock, or personal injury, turn off lamp and allow it to cool prior to replacing light bulb.
3. Do not touch bulb when fixture is turned on or look directly at lit bulb.
4. Keep flammable materials away from lit bulb.

**to assemble:**



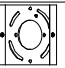





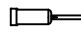



1. Carefully remove all parts from the box and remove all plastic coverings.
2. Place the Bracket (D) and the Shade (B) onto the socket, secure them with the Socket Ring (C).
3. Insert the Light Bulb (A) into the socket.
4. Assembly is complete.
5. Insert the Plug (E) into proper electrical outlet and test the lamp.

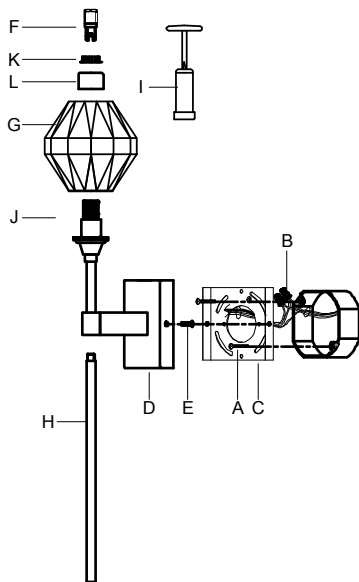
**care instructions:**

Wipe all surfaces with a soft, dry cloth. Do not use any harsh cleaners (including ammonia-based products) or abrasives on our lamp, as they will damage the finish.



**parts enclosed:**

ITEM	DIAGRAM	DESCRIPTION	QTY
(A)		Mounting Screw	2
(B)		Wire Connectors	3
(C)		Mounting Plate & green ground screw	1
(D)		Backplate	1
(E)		Backplate Screw	2
(F)		Bulb	1
(G)		Crystal Shade	1
(H)		Decorative Arm	1
(I)		Tool	1
(J)		Socket	1
(K)		Socket Ring	1
(L)		Socket Cover	1



**care instructions:**

Wipe all surfaces with a soft, dry cloth. Do not use any harsh cleaners (including ammonia-based products) or abrasives on the fixture as they will damage the surface.

**important safety instructions:**

**CONSULT A QUALIFIED ELECTRICIAN TO ENSURE CORRECT BRANCH CIRCUIT CONDUCTOR.**

1. We recommend installation by a licensed electrician.
2. This fixture has been rated for one 4.5 watt Type G9 LED lightbulb. To avoid the risk of fire, do not exceed the recommended wattage.

**warnings:**

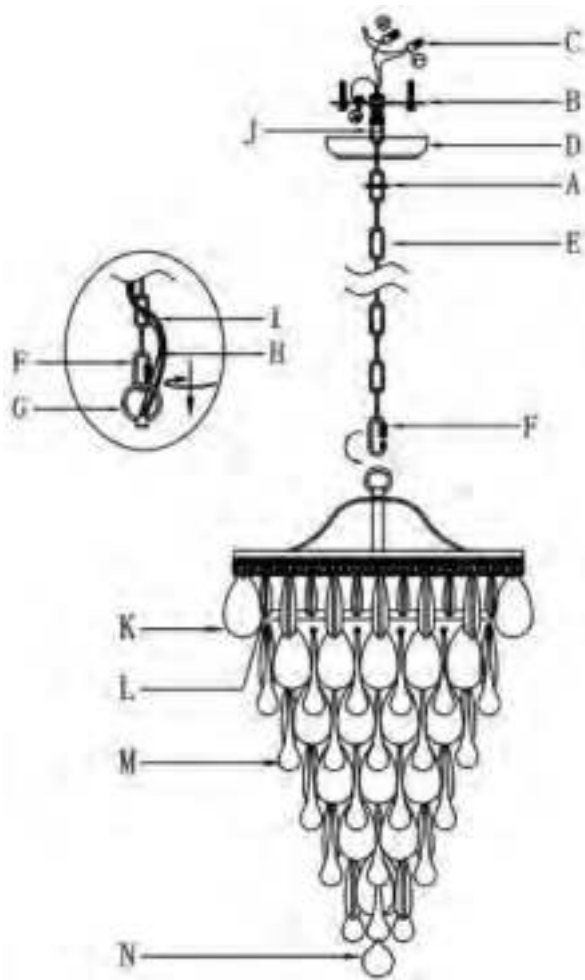
1. All wires are connected. Do not remove the fixture from packaging by pulling on the wires as a bad connection may result.
2. To avoid the risk of fire, electrical shock, or personal injury, always turn off fixture and allow it to cool prior to replacing the lightbulb.
3. Do not touch bulb when fixture is turned on or look directly at lit bulb.
4. Keep flammable materials away from lit bulb.

**to assemble:**

1. Carefully remove all parts from the box and remove all protective coverings. Take care not to lose any small parts.
2. Turn OFF power at the outlet box where the fixture will be installed.
3. Attach the Mounting Plate (C) to outlet box using the Mounting Screws (A), tighten with a screwdriver. Ensure the side of the Mounting Plate (C) marked "GND" is facing out.
4. While holding the fixture, connect the black wire from fixture to the hot wire (usually black or smooth) from the outlet box using a wire connector (B). Connect the white wire from fixture to the neutral wire (usually white or ribbed) from the outlet box using a wire connector (B). **DO NOT REVERSE THE HOT AND NEUTRAL WIRE CONNECTIONS; OTHERWISE, SAFETY WILL BE COMPROMISED.**
5. If the outlet box has a ground wire (green or bare copper), connect the green ground wire from the fixture to it using a wire connector (B). If the outlet box does not have a ground wire, connect the green ground wire from the fixture to the green ground screw provided on the Mounting Plate (C).
6. Tuck these wire connections neatly into the outlet box, place the Backplate (D) over the Mounting plate (C) and align the two holes of the Backplate (D) with the corresponding holes on the Mounting plate (C), secure the Backplate (D) with Backplate Screws (E) to the wall.
7. Put the Crystal Shade (G) and Socket Cover (L) over the Socket (J), secure with Socket Ring (K) by Tool (I).
8. Install the light bulb (F) in accordance with the fixture's specifications (DO NOT EXCEED THE SPECIFIED WATTAGE RATING).
9. Screw the Decorative Arm (H) onto the fixture body.
10. Installation is completed. Turn on the power at the circuit breaker or fuse box. Turn the light switch to activate the fixture.

## parts enclosed:

Part	Description	Qty.	Part	Description	Qty.
A	lock collar	1	H	cable	1
B	mounting Bracket	1	I	naked earth cable	1
C	nipples	3	J	ceiling loop	1
D	canopy	1	K	glass # K	69
E	chain	1	L	glass # L	24
F	open ring	1	M	glass # M	45
G	loop	1	N	glass # N	1



## important safety instructions:

1. We recommend installation by a licensed electrician.
2. To avoid the risk of fire, do not exceed the recommended wattage for this fixture.

## warnings:

1. Do not remove the lamp from its packaging by pulling on the power cord, as a bad connection may result.
2. To avoid the risk of fire, electrical shock, or personal injury, turn off lamp and allow it to cool prior to replacing light bulb.
3. Do not touch bulb when fixture is turned on or look directly at lit bulb.
4. Keep flammable materials away from lit bulb.

## to assemble:

1. Carefully remove all parts from the box.
2. Remove the mounting bracket (B) from the canopy (D) by loosening the screws (A).
3. Taking off the open ring (F) and use the dimensions of the fixture as a guide, shorten the chain (E) as needed using a pair of chain pliers.
4. Use the open ring (F) to link the chain (E) and the loop (G), then put the cable (H) and naked earth cable (I) through the chain (E) in every 3-4 rings until through the ceiling loop (J).
5. INSURE THE ELECTRICITY SUPPLY IS TURNED OFF.
6. Affix the mounting bracket (B) on the outlet box.
7. Wrap both safety cable with nipples (C), push the cable into the outlet box.
8. Attach the canopy (D) to the mounting bracket (B) and secure with lock collar (A).
9. Install the bulbs on the sockets.
10. Install the glass ornaments (K)/(L)/(M)/(N) in the right places according to the illustration.
11. Installation is complete, turn on power at fuse or circuit breaker.

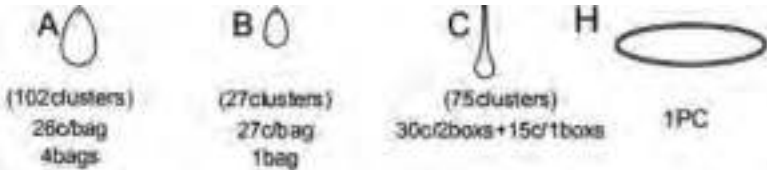
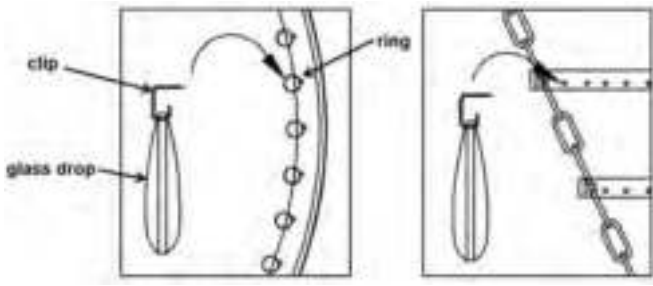
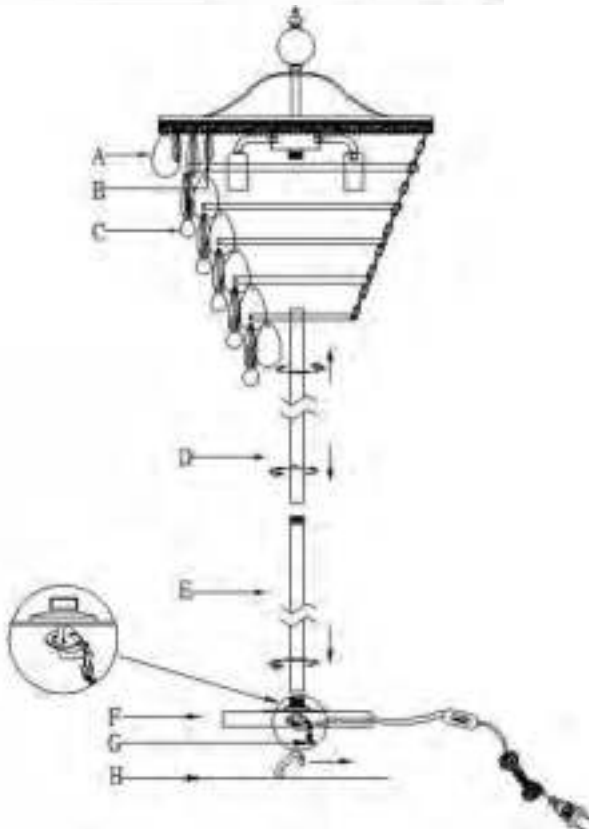
## care instructions:

Clean with a dry, soft cloth only. Use no harsh abrasives or chemical agents.



**parts enclosed:**

Part	Description	Qty.
A	glass ornaments#A	102
B	glass ornaments#B	27
C	glass ornaments#C	75
D	centre pole #D	1
E	centre pole #E	1
F	base	1
G	buckle	1
H	flannelette	1



**important safety instructions:**

1. We recommend installation by a licensed electrician.
2. To avoid the risk of fire, do not exceed the recommended wattage for this fixture.

**warnings:**

1. Do not remove the lamp from its packaging by pulling on the power cord, as a bad connection may result.
2. To avoid the risk of fire, electrical shock, or personal injury, turn off lamp and allow it to cool prior to replacing light bulb.
3. Do not touch bulb when fixture is turned on or look directly at lit bulb.
4. Keep flammable materials away from lit bulb.

**to assemble:**

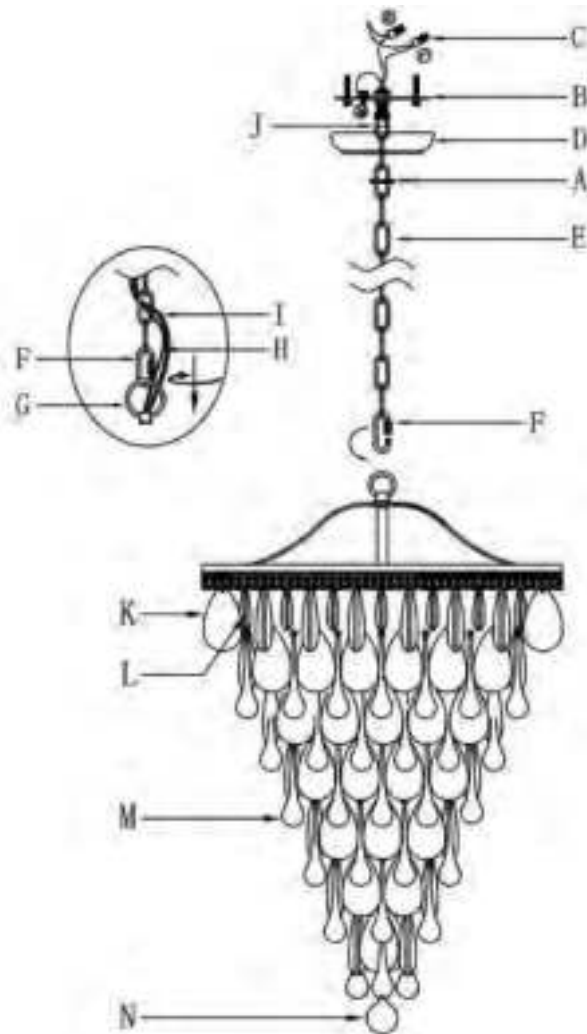
1. Carefully remove all parts from the box.
2. Install centre pole (E) on the base (F) first, then install centre pole (D) on the top body, then adjust the cable at bottom of the base (F) and link centre pole (D) and centre pole (E) together.
3. Adjust the length of the cable again and lock the cable with screwing the buckle(G).( see the illustration).
4. Peel off the yellow paper on the flannelette (H) and then stick it on the bottom base (F).
5. Install the bulbs on the sockets.
6. Install the glass ornaments (A)/(B)/(C) on the lamp according to the illustration. The top row of glass drops connects to the chandelier metal frame using the rings (pre-assembled to the frame). All other rows of glass drops hang from chandelier frame using clips which are pre-assembled to glass drops.
7. Plug the lamp into the wall outlet.

**care instructions:**

Clean with a dry, soft cloth only. Use no harsh abrasives or chemical agents.

**parts enclosed:**

Part	Description	Qty.	Part	Description	Qty.
A	lock collar	1	H	cable	1
B	mounting Bracket	1	I	naked earth cable	1
C	nipples	3	J	ceiling loop	1
D	canopy	1	K	glass # K	111
E	chain	1	L	glass # L	27
F	open ring	1	M	glass # M	84
G	loop	1	N	glass # N	1



**important safety instructions:**

1. We recommend installation by a licensed electrician.
2. To avoid the risk of fire, do not exceed the recommended wattage for this fixture.

**warnings:**

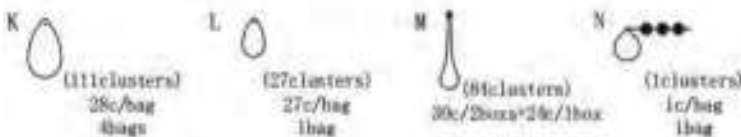
1. Do not remove the lamp from its packaging by pulling on the power cord, as a bad connection may result.
2. To avoid the risk of fire, electrical shock, or personal injury, turn off lamp and allow it to cool prior to replacing light bulb.
3. Do not touch bulb when fixture is turned on or look directly at lit bulb.
4. Keep flammable materials away from lit bulb.

**to assemble:**

1. Carefully remove all parts from the box.
2. Remove the mounting bracket (B) from the canopy (D) by loosening the screws (A).
3. Taking off the open ring (F) and use the dimensions of the fixture as a guide, shorten the chain (E) as needed using a pair of chain pliers.
4. Use the open ring (F) to link the chain (E) and the loop (G), then put the cable (H) and naked earth cable (I) through the chain (E) in every 3-4 rings until through the ceiling loop (J).
5. INSURE THE ELECTRICITY SUPPLY IS TURNED OFF.
6. Affix the mounting bracket (B) on the outlet box.
7. Wrap both safety cable with nipples (C), push the cable into the outlet box.
8. Attach the canopy (D) to the mounting bracket (B) and secure with lock collar (A).
9. Install the bulbs on the sockets.
10. Install the glass ornaments (K)/(L)/(M)/(N) in the right places according to the illustration.
11. Installation is complete, turn on power at fuse or circuit breaker.

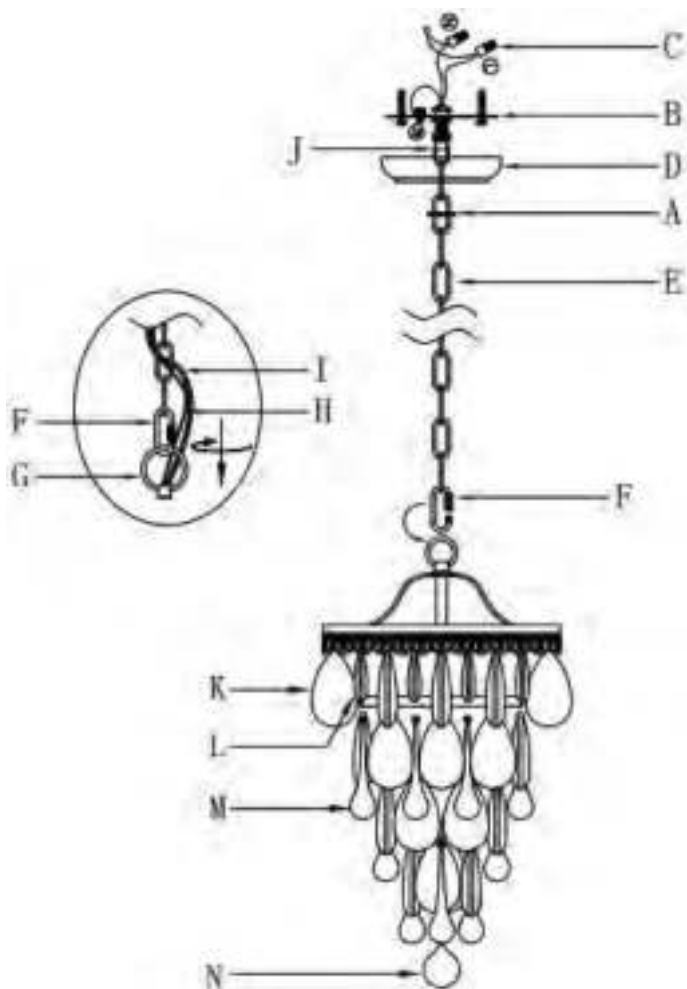
**care instructions:**

Clean with a dry, soft cloth only. Use no harsh abrasives or chemical agents.



## parts enclosed:

Part	Description	Qty.	Part	Description	Qty.
A	lock collar	1	H	cable	1
B	mounting Bracket	1	I	naked earth cable	1
C	nipples	3	J	ceiling loop	1
D	canopy	1	K	glass # K	45
E	chain	1	L	glass # L	18
F	open ring	1	M	glass # M	27
G	loop	1	N	glass # N	1



## important safety instructions:

1. We recommend installation by a licensed electrician.
2. To avoid the risk of fire, do not exceed the recommended wattage for this fixture.

## warnings:

1. Do not remove the lamp from its packaging by pulling on the power cord, as a bad connection may result.
2. To avoid the risk of fire, electrical shock, or personal injury, turn off lamp and allow it to cool prior to replacing light bulb.
3. Do not touch bulb when fixture is turned on or look directly at lit bulb.
4. Keep flammable materials away from lit bulb.

## to assemble:

1. Carefully remove all parts from the box.
2. Remove the mounting bracket (B) from the canopy (D) by loosening the screws (A).
3. Taking off the open ring (F) and use the dimensions of the fixture as a guide, shorten the chain (E) as needed using a pair of chain pliers.
4. Use the open ring (F) to link the chain (E) and the loop (G), then put the cable (H) and naked earth cable (I) through the chain (E) in every 3-4 rings until through the ceiling loop (J).
5. INSURE THE ELECTRICITY SUPPLY IS TURNED OFF.
6. Affix the mounting bracket (B) on the outlet box.
7. Wrap both safety cable with nipples (C), push the cable into the outlet box.
8. Attach the canopy (D) to the mounting bracket (B) and secure with lock collar (A).
9. Install the bulbs on the sockets.
10. Install the glass ornaments (K)/(L)/(M)/(N) in the right places according to the illustration.
11. Installation is complete, turn on power at fuse or circuit breaker.

## care instructions:

Clean with a dry, soft cloth only. Use no harsh abrasives or chemical agents.



(45 clusters)  
23c/bag  
3bags



(18 clusters)  
18c/bag  
1bag



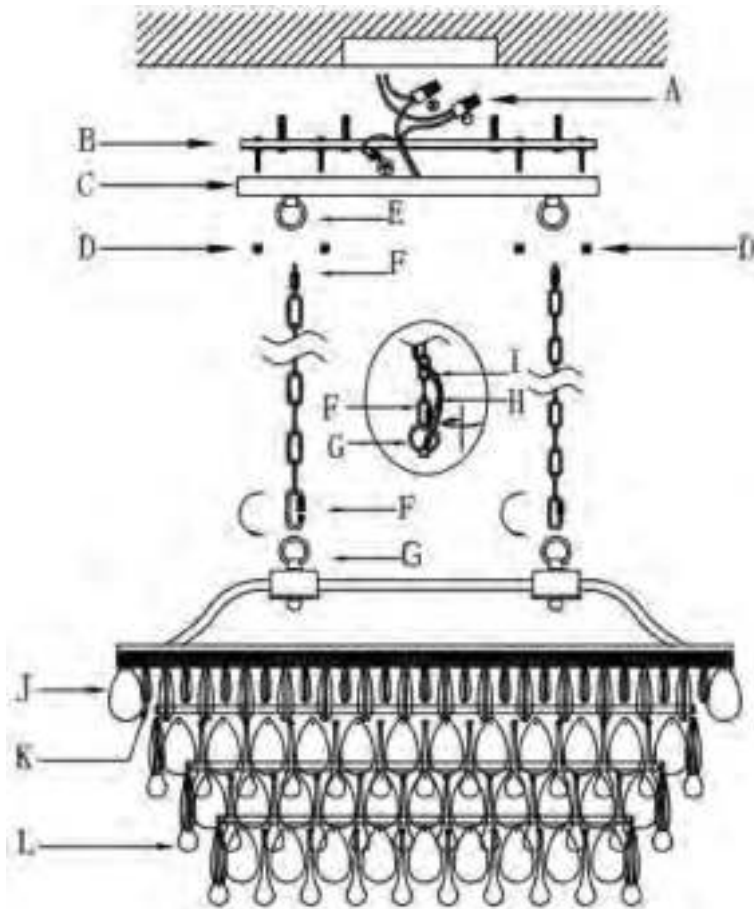
(27 clusters)  
27c/bag  
1bag



(1 cluster)  
1c/bag  
1bag

**parts enclosed:**

Part	Description	Qty	Part	Description	Qty
A	nipples	3	G	loops	2
B	mounting bracket	1	H	cable	1
C	rectangular base	1	I	naked earth cable	1
D	screws	4	J	glass #J	114
E	ceiling loops	2	K	glass #K	38
F	open rings	4	L	glass #L	76



**important safety instructions:**

1. We recommend installation by a licensed electrician.
2. To avoid the risk of fire, do not exceed the recommended wattage for this fixture.

**warnings:**

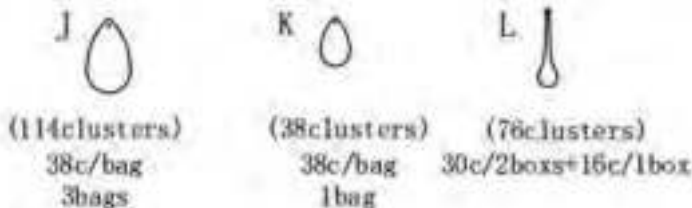
1. Do not remove the lamp from its packaging by pulling on the power cord, as a bad connection may result.
2. To avoid the risk of fire, electrical shock, or personal injury, turn off lamp and allow it to cool prior to replacing light bulb.
3. Do not touch bulb when fixture is turned on or look directly at lit bulb.
4. Keep flammable materials away from lit bulb.

**to assemble:**

1. Carefully remove all parts from the box.
2. Remove the mounting bracket (B) from the rectangular base (C) by loosening the screws (D).
3. Taking off the open ring (F) and use the dimensions of the fixture as a guide, shorten the chain as needed using a pair of chain pliers.
4. Use the open ring (F) to link the chain and the loop (G), then put the cable (H) and naked earth cable (I) through the chain in every 3-4 rings until through the ceiling loop (E).
5. INSURE THE ELECTRICITY SUPPLY IS TURNED OFF.
6. Affix the mounting bracket (B) on the outlet box.
7. Hold the lamp body and wrap both safety cable with nipples (A), push the cable into the outlet box.
8. Attach the rectangular base (C) to the mounting bracket (B) and secure with screws (D).
9. Install the bulbs on the sockets.
10. Install the glass ornaments (J)/(K)/(L) on the lamp according to the illustration.
11. Installation is complete, turn on power at fuse or circuit breaker.

**care instructions:**

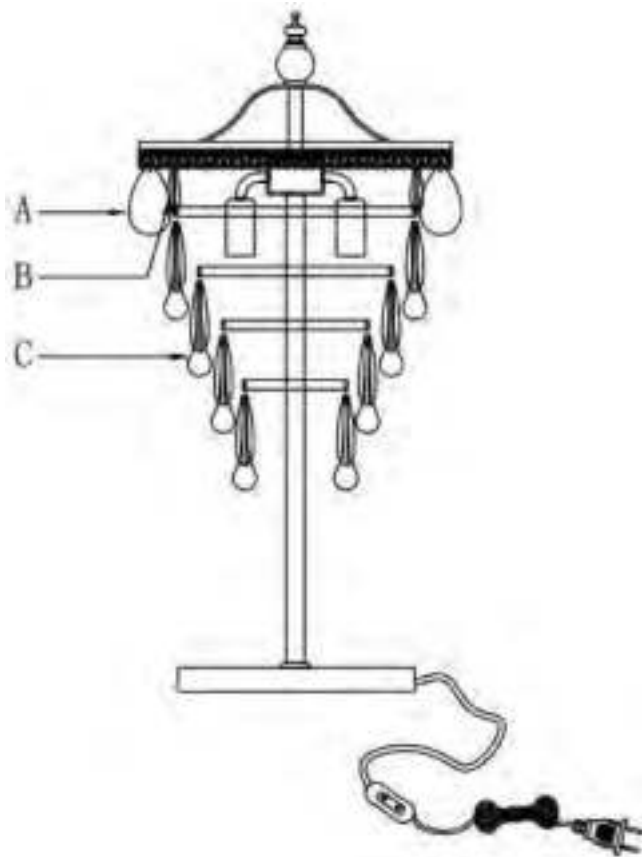
Clean with a dry, soft cloth only. Use no harsh abrasives or chemical agents.



ANABELLA NICKEL TABLE LAMP  
760ANATBNK

parts enclosed:

Part	Description	Qty.
A	glass #A	66
B	glass #B	24
C	glass #C	42



important safety instructions:

1. We recommend installation by a licensed electrician.
2. To avoid the risk of fire, do not exceed the recommended wattage for this fixture.

warnings:

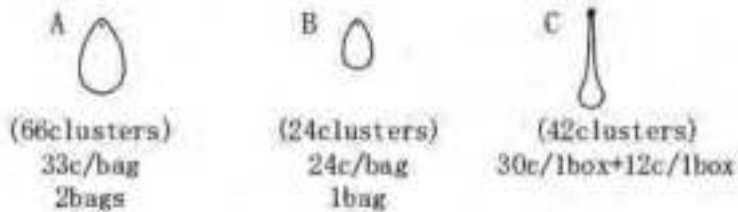
1. Do not remove the lamp from its packaging by pulling on the power cord, as a bad connection may result.
2. To avoid the risk of fire, electrical shock, or personal injury, turn off lamp and allow it to cool prior to replacing light bulb.
3. Do not touch bulb when fixture is turned on or look directly at lit bulb.
4. Keep flammable materials away from lit bulb.

to assemble:

1. Carefully remove all parts from the box.
2. Install the bulbs on the sockets.
3. Install the glass ornaments (A)/ (B)/ (C) on the lamp body according to the illustration.
4. Plug the lamp into wall outlet.

care instructions:

Clean with a dry, soft cloth only. Use no harsh abrasives or chemical agents.



# PARTS INVENTORY

Super Category	Product ID	Description	Stat	Collection	Route
LIGHTING	912036ANACRB	ANABELLA BALL W/ STRAND GLASS BALL CRYSTAL W/ STRAND	A	PT-ANABELL	PART
LIGHTING	912036ANACH	ANABELLA GOLD 12 FT CHAIN .16" X 12 FT GOLD CHAIN	A	PT-ANABELL	PART
LIGHTING	912036ANACH6	ANABELLA GOLD 6 FT CHAIN .16" X 6 FT GOLD CHAIN	A	PT-ANABELL	PART
LIGHTING	912036H340CN	ANABELLA GOLD RECT CANOPY RECT CANOPY W/ HARDWARE	A	PT-ANABELL	PART
LIGHTING	912036ANACN	ANABELLA GOLD ROUND CANOPY GOLD CANOPY W/ HARDWARE	A	PT-ANABELL	PART
LIGHTING	912036ANACRL	ANABELLA LG CRYSTAL LARGE 3" GLASS CRYSTAL	A	PT-ANABELL	PART
LIGHTING	912036ANALGT	ANABELLA LG TEARDROP LG GLASS TEARDROP CRYSTAL	A	PT-ANABELL	PART
LIGHTING	912036ANACRM	ANABELLA MD CRYSTAL MEDIUM 2.5" GLASS CRYSTAL	A	PT-ANABELL	PART
LIGHTING	912036NIKCH	ANABELLA NICKEL 12 FT CHAIN .16" X 12 FT NICKEL CHAIN	A	PT-ANABELL	PART
LIGHTING	912036NIKCH6	ANABELLA NICKEL 6 FT CHAIN .16" X 6 FT NICKEL CHAIN	A	PT-ANABELL	PART
LIGHTING	912036H369CN	ANABELLA NICKEL RECT CANOPY NICKEL RECT CANOPY W/ HRDWR	A	PT-ANABELL	PART
LIGHTING	912036NIKCN	ANABELLA NICKEL ROUND CANOPY NICKEL CANOPY W/ HARDWARE	A	PT-ANABELL	PART
LIGHTING	912036ANAACL	ANABELLA S/10 BRNZ CLIPS SET OF 10 CLIPS	A	PT-ANABELL	PART
LIGHTING	912036ANACRS	ANABELLA SM CRYSTAL SMALL 2" GLASS CRYSTAL	A	PT-ANABELL	PART
LIGHTING	912036ANASMT	ANABELLA SM TEARDROP SM GLASS TEARDROP CRYSTAL	A	PT-ANABELL	PART
LIGHTING	912036ANAF	ANABELLA TABLE LAMP FINIAL GLASS FINIAL	A	PT-ANABELL	PART



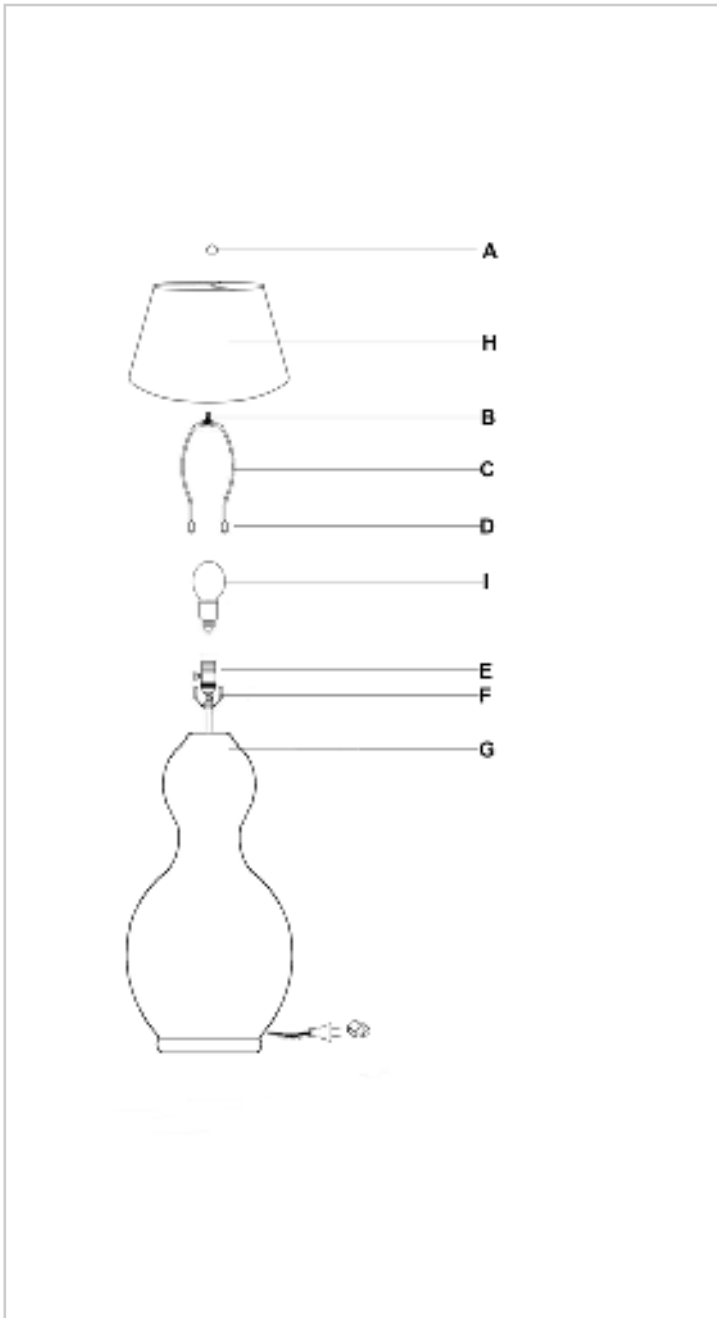
# Ancel Table Lamp

# ARHAUS®

your home

## parts enclosed:

- (A) Finial (1)
- (B) Harp Top (1)
- (C) Harp (1)
- (D) Harp Caps (2)
- (E) Socket (1)
- (F) Saddle (1)
- (G) Lamp Base (1)
- (H) Shade
- (I) Bulb (not included)



## important safety instructions:

1. We recommend installation by a licensed electrician.
2. To avoid the risk of fire, do not exceed the recommended wattage for this fixture.
3. This fixture has been rated for up to one (1) 150WATT max or smaller 3way Type A or max 18W 3W SBLED Lamp

## warnings:

1. Do not remove the lamp from its packaging by pulling on the power cord, as a bad connection may result.
2. To avoid the risk of fire, electrical shock, or personal injury, turn off lamp and allow it to cool prior to replacing light bulb.
3. Do not touch bulb when fixture is turned on or look directly at lit bulb.
4. Keep flammable materials away from lit bulb.

## to assemble:

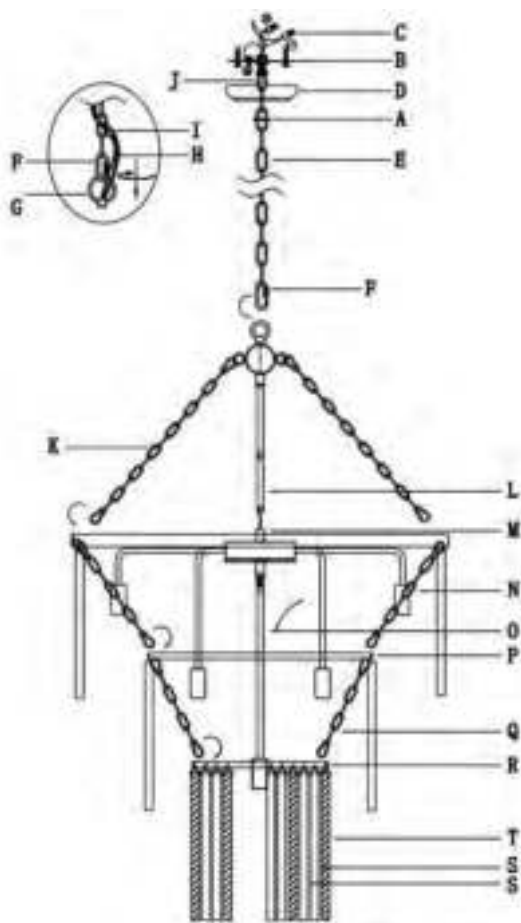
1. Raise the Harp Caps (D) and insert the bottom ends of the Harp (C) into the Saddle (F).
2. Lower the the Harp Caps (D) until they cover the two-pronged Saddle (F).
3. Unscrew the Finial (A) from the Harp Top (B)
4. Place the Shade (H) over the Harp (C) making sure the Harp Top (B) extends through the top ring of the Shade (H).
5. Secure the Shade (H) by turning the Finial (A) onto the Harp Top (B).
6. Insert the specified light bulb into the socket (E). DO NOT EXCEED THE SPECIFIED WATTAGE.

## care instructions:

1. Wipe clean with a soft, dry cloth or static duster.
2. Always avoid the use of harsh chemicals or abrasive cleaners as they may cause damage to the fixture's finish.

parts enclosed:

Part	Description	Qty.	Part	Description	Qty.
A	lock collar	1	K	chains #K	4
B	mounting bracket	1	L	centre part	1
C	nipples	3	M	screw nipple	1
D	canopy	1	N	chains #N	4
E	chain #E	1	O	socket pole	1
F	open ring	1	P	ring #P	1
G	loop	1	Q	chains #Q	4
H	cable	1	R	ring #R	1
I	naked earth cable	1	S	glass sticks	148
J	ceiling loop	1	T	metal pipes	74



important safety instructions:

1. We recommend installation by a licensed electrician.
2. To avoid the risk of fire, do not exceed the recommended wattage for this fixture.
3. Chandeliers weighing more than 50 lbs. cannot be mounted alone to a standard outlet box and require additional bracing above the ceiling where they are to be installed. Professional installation is required.

warnings:

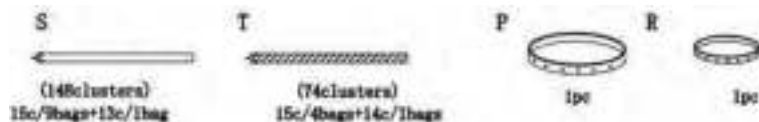
1. Do not remove the lamp from its packaging by pulling on the power cord, as a bad connection may result.
2. To avoid the risk of fire, electrical shock, or personal injury, turn off lamp and allow it to cool prior to replacing light bulb.
3. Do not touch bulb when fixture is turned on or look directly at lit bulb.
4. Keep flammable materials away from lit bulb.

to assemble:

1. Carefully remove all parts from the box.
2. Make the socket pole (O) straight and then install the centre part (L) in the screw nipple (M).
3. Connect the rings with the chains (K) and connect the ring (P) together with the chains (N), connect the ring (R) together with the chains (Q).
4. Remove the mounting bracket (B) from the canopy (D) by loosening the collar (A).
5. Taking off the open ring (F) and use the dimensions of the fixture as a guide, shorten the chain (E) as needed using a pair of chain pliers.
6. Use the open ring (F) to link the chain (E) and the loop (G), then put the cable (H) and naked earth cable (I) through the chain (E) in every 3-4 rings until through the ceiling loop (J).
7. INSURE THE ELECTRICITY SUPPLY IS TURNED OFF.
8. Affix the mounting bracket (B) on the outlet box.
9. Wrap both safety cable with nipples (C), push the cable into the outlet box.
10. Attach the canopy (D) to the mounting bracket (B) and secure with lock collar (A).
11. Install the bulbs on the sockets.
12. Install the glass sticks (S) and metal pipes (T) alternately.
13. Installation is complete, turn on power at fuse or circuit breaker.

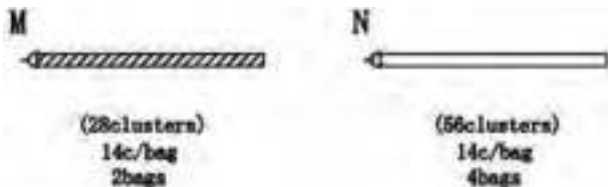
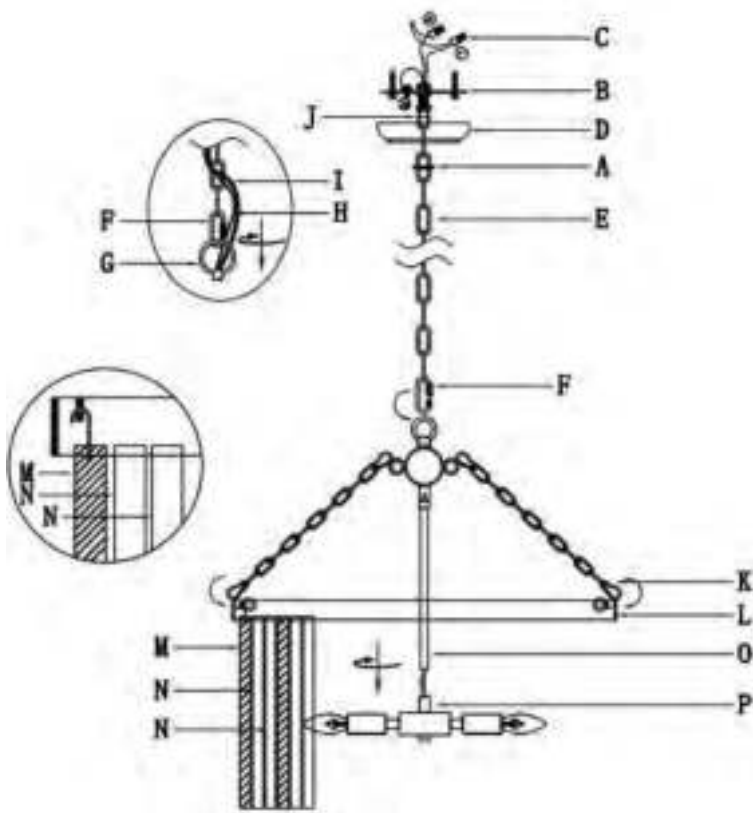
care instructions:

Clean with a dry, soft cloth only. Use no harsh abrasives or chemical agents.



**parts enclosed:**

Part	Description	Qty.	Part	Description	Qty.
A	lock collar	1	I	naked earth cable	1
B	mounting bracket	1	J	ceiling loop	1
C	nipples	3	K	ring	3
D	canopy	1	L	big metal ring	1
E	chain	1	M	iron sticks	28
F	open ring	1	N	glass sticks	56
G	loop	1	O	centre pipe	1
H	cable	1	P	socket body	1



**important safety instructions:**

1. We recommend installation by a licensed electrician.
2. To avoid the risk of fire, do not exceed the recommended wattage for this fixture.

**warnings:**

1. Do not remove the lamp from its packaging by pulling on the power cord, as a bad connection may result.
2. To avoid the risk of fire, electrical shock, or personal injury, turn off lamp and allow it to cool prior to replacing light bulb.
3. Do not touch bulb when fixture is turned on or look directly at lit bulb.
4. Keep flammable materials away from lit bulb.

**to assemble:**

1. Carefully remove all parts from the box.
2. Remove the mounting bracket (B) from the canopy (D) by loosening the lock collar (A).
3. Taking off the open ring (F) and use the dimensions of the fixture as a guide, shorten the chain (E) as needed using a pair of chain pliers.
4. Link centre pipe (O) and the socket body (P) together.
5. Use the open ring (F) to link the chain (E) and the loop (G), then put the cable (H) and naked earth cable (I) through the chain (E) in every 3-4 rings until through the ceiling loop (J).
6. INSURE THE ELECTRICITY SUPPLY IS TURNED OFF.
7. Affix the mounting bracket (B) on the outlet box.
8. Wrap both safety cable with nipples (C), push the cable into the outlet box.
9. Attach the canopy (D) to the mounting bracket (B) and secure with lock collar (A).
10. Use the ring (K) to link the big metal ring (L) together.
11. Install the bulbs on the sockets.
12. Install the iron sticks (M) and the glass sticks (N) on the metal ring (L).
12. Installation is complete, turn on power at fuse or circuit breaker.

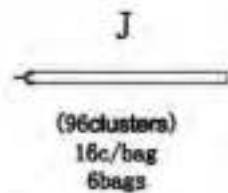
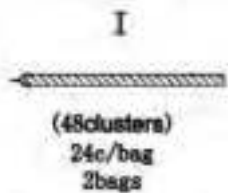
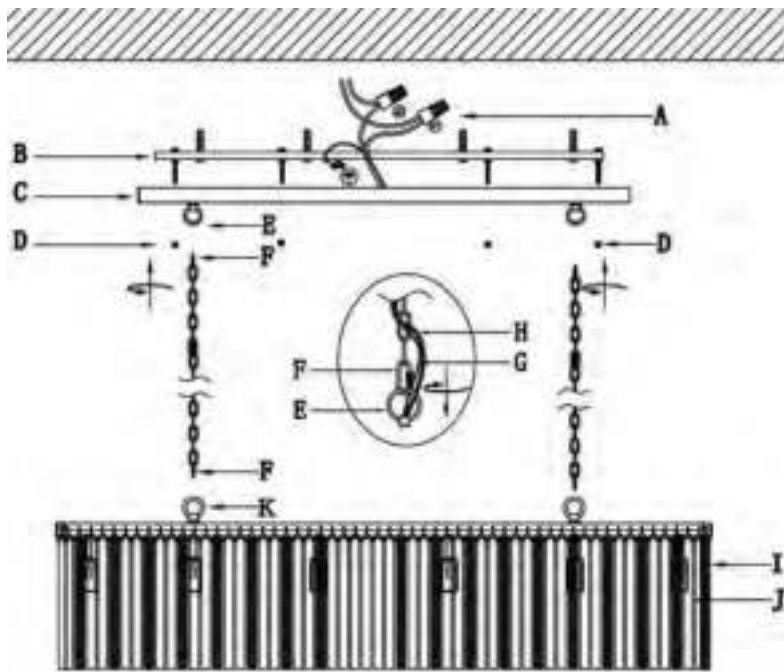
**care instructions:**

Clean with a dry, soft cloth only. Use no harsh abrasives or chemical agents.

ANDALUCIA RECTANGLE CHANDELIER  
662036H105

parts enclosed:

Part	Description	Qty.	Part	Description	Qty.
A	nipples	3	G	cable	1
B	mounting bracket	1	H	naked earth cable	1
C	rectangular base	1	I	iron pipes	48
D	screws	4	J	glass sticks	96
E	ceiling loops	2	K	loops	2
F	open rings	4			



important safety instructions:

1. We recommend installation by a licensed electrician.
2. To avoid the risk of fire, do not exceed the recommended wattage for this fixture.
3. Chandeliers weighing more than 50 lbs. cannot be mounted alone to a standard outlet box and require additional bracing above the ceiling where they are to be installed. Professional installation is required.

warnings:

1. Do not remove the lamp from its packaging by pulling on the power cord, as a bad connection may result.
2. To avoid the risk of fire, electrical shock, or personal injury, turn off lamp and allow it to cool prior to replacing light bulb.
3. Do not touch bulb when fixture is turned on or look directly at lit bulb.
4. Keep flammable materials away from lit bulb.

to assemble:

1. Carefully remove all parts from the box.
2. Remove the mounting bracket (B) from the rectangular base (C) by loosening the screws (D).
3. Taking off the open ring (F) and use the dimensions of the fixture as a guide, shorten the chain as needed using a pair of chain pliers.
4. Use the open ring (F) to link the chain and the loop (K), then put the cable (G) and naked earth cable (H) through the chain in every 3-4 rings until through the ceiling loop (E).
5. INSURE THE ELECTRICITY SUPPLY IS TURNED OFF.
6. Affix the mounting bracket (B) on the outlet box.
7. Hold the lamp body and wrap both safety cable with nipples (A), push the cable into the outlet box.
8. Attach the rectangular base (C) to the mounting bracket (B) and secure with screws (D).
9. Install the bulbs on the sockets.
10. Install the iron pipes (I) and the glass stick (J) on the lamp body according to the illustration.
11. Installation is complete, turn on power at fuse or circuit breaker

care instructions:

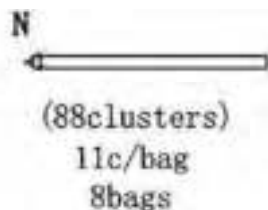
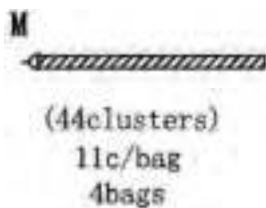
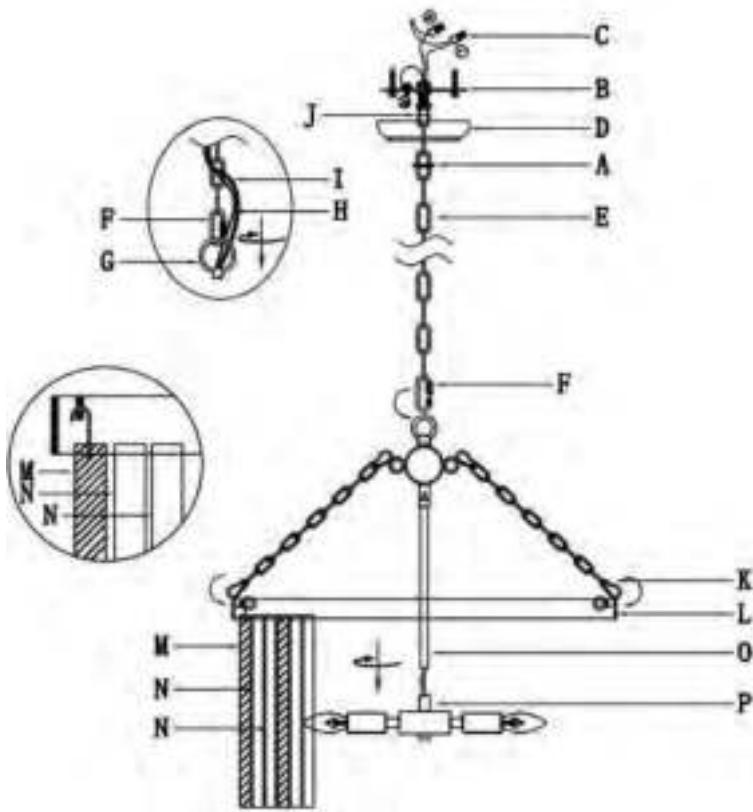
Clean with a dry, soft cloth only. Use no harsh abrasives or chemical agents.

# LIGHTING PARTS SKUS

CATEGORY	SKU	DESCRIPTION	STATUS	COLLECTION	ROUTE
LIGHTING	91ANDALCH6	ANDALUCIA CHAND 6 FT CHAIN 6 FT SILVER FOIL CHAIN	A	PT-ANDALUC	PART
LIGHTING	912036H105S	ANDALUCIA RECT CANOPY SCREWS S/5 ANTO SILVER SCREW REPL	A	PT-ANDALUC	PART

## parts enclosed:

Part	Description	Qty.	Part	Description	Qty.
A	lock collar	1	I	naked earth cable	1
B	mounting bracket	1	J	ceiling loop	1
C	nipples	3	K	ring	3
D	canopy	1	L	big metal ring	1
E	chain	1	M	iron sticks	44
F	open ring	1	N	glass sticks	88
G	loop	1	O	centre pipe	1
H	cable	1	P	socket body	1



## important safety instructions:

1. We recommend installation by a licensed electrician.
2. To avoid the risk of fire, do not exceed the recommended wattage for this fixture.

## warnings:

1. Do not remove the lamp from its packaging by pulling on the power cord, as a bad connection may result.
2. To avoid the risk of fire, electrical shock, or personal injury, turn off lamp and allow it to cool prior to replacing light bulb.
3. Do not touch bulb when fixture is turned on or look directly at lit bulb.
4. Keep flammable materials away from lit bulb.

## to assemble:

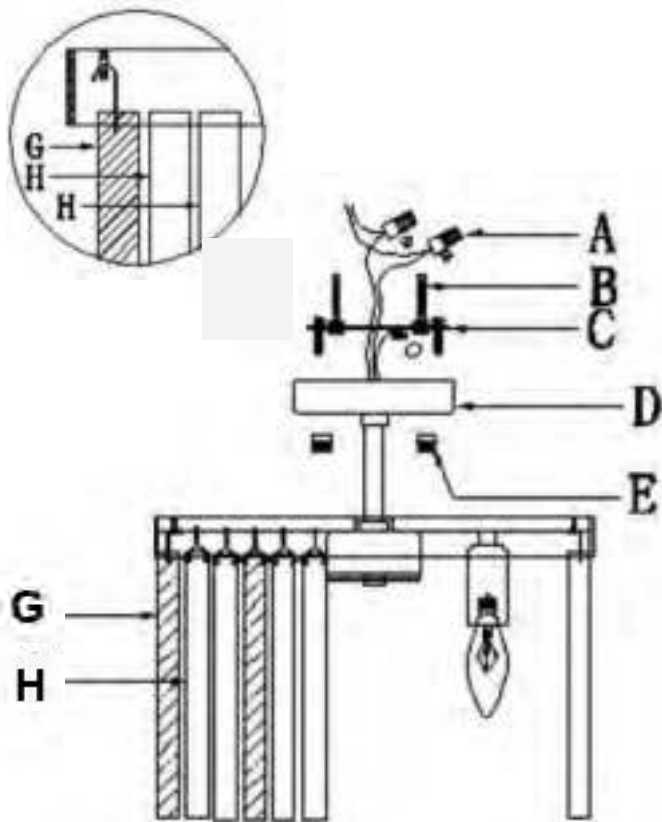
1. Carefully remove all parts from the box.
2. Remove the mounting bracket (B) from the canopy (D) by loosening the lock collar (A).
3. Taking off the open ring (F) and use the dimensions of the fixture as a guide, shorten the chain (E) as needed using a pair of chain pliers.
4. Link centre pipe (O) and the socket body (P) together.
5. Use the open ring (F) to link the chain (E) and the loop (G), then put the cable (H) and naked earth cable (I) through the chain (E) in every 3-4 rings until through the ceiling loop (J).
6. INSURE THE ELECTRICITY SUPPLY IS TURNED OFF.
7. Affix the mounting bracket (B) on the outlet box.
8. Wrap both safety cable with nipples (C), push the cable into the outlet box.
9. Attach the canopy (D) to the mounting bracket (B) and secure with lock collar (A).
10. Use the ring (K) to link the big metal ring (L) together.
11. Install the bulbs on the sockets.
12. Install the iron sticks (M) and the glass sticks (N) on the metal ring (L).
12. Installation is complete, turn on power at fuse or circuit breaker.

## care instructions:

Clean with a dry, soft cloth only. Use no harsh abrasives or chemical agents.

**parts enclosed:**

Part	Description	Qty.
A	nipples	3
B	screws # B	2
C	mounting bracket	1
D	canopy	1
E	screws # E	2
G	iron sticks	20
H	glass sticks	40



**(20clusters)**  
20c/bag  
1bags



**(40clusters)**  
20c/bag  
2bags

**important safety instructions:**

1. We recommend installation by a licensed electrician.
2. To avoid the risk of fire, do not exceed the recommended wattage for this fixture.

**warnings:**

1. Do not remove the lamp from its packaging by pulling on the power cord, as a bad connection may result.
2. To avoid the risk of fire, electrical shock, or personal injury, turn off lamp and allow it to cool prior to replacing light bulb.
3. Do not touch bulb when fixture is turned on or look directly at lit bulb.
4. Keep flammable materials away from lit bulb.

**to assemble:**

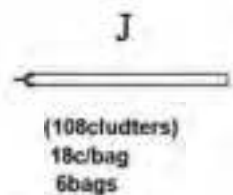
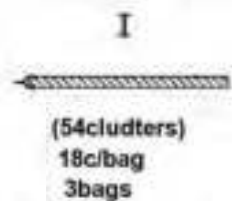
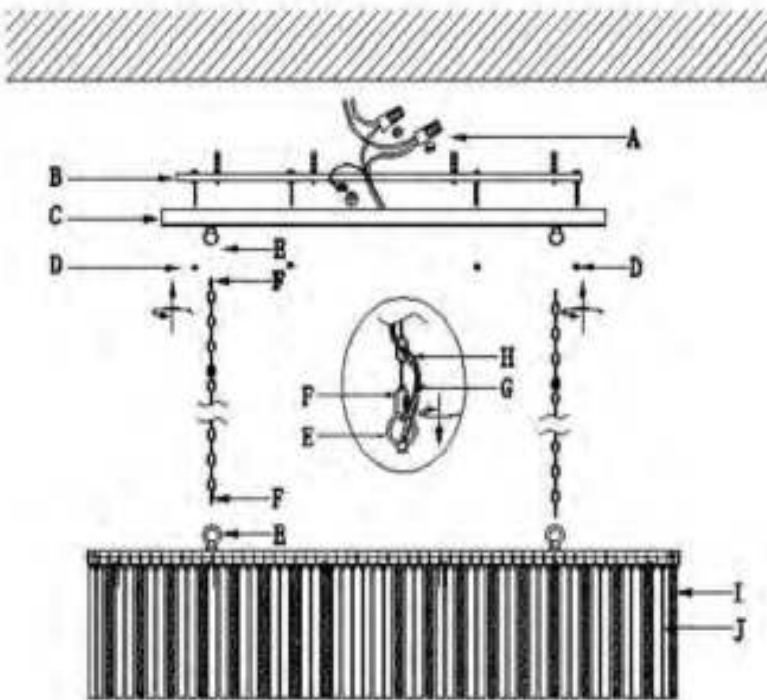
1. Carefully remove all parts from the box.
2. Remove the mounting bracket (C) from the canopy (D) by loosening the screws (E).
3. Affix the mounting bracket (C) on the outlet box with the screws (B).
4. INSURE THE ELECTRICITY SUPPLY IS TURNED OFF.
5. Wrap both safety cables with nipples (A), push the base (D) on the bracket (C) and then affix it with screws (E).
6. Install the iron sticks (G) and glass sticks (H) on the lamp body according to the illustration.
7. Install the bulb on the sockets.
8. Installation is complete, turn on power at fuse or circuit breaker.

**care instructions:**

Clean with a dry, soft cloth only. Use no harsh abrasives or chemical agents.

## parts enclosed:

Part	Description	Qty.	Part	Description	Qty.
A	nipples	3	G	cable	1
B	mounting bracket	1	H	naked earth cable	1
C	rectangular base	1	I	iron pipes	54
D	screws	4	J	glass sticks	108
E	ceiling loops	2	K	loops	2
F	open rings	4			



## important safety instructions:

1. We recommend installation by a licensed electrician.
2. To avoid the risk of fire, do not exceed the recommended wattage for this fixture.
3. Chandeliers weighing more than 50 lbs. cannot be mounted alone to a standard outlet box and require additional bracing above the ceiling where they are to be installed. Professional installation is required.

## warnings:

1. Do not remove the lamp from its packaging by pulling on the power cord, as a bad connection may result.
2. To avoid the risk of fire, electrical shock, or personal injury, turn off lamp and allow it to cool prior to replacing light bulb.
3. Do not touch bulb when fixture is turned on or look directly at lit bulb.
4. Keep flammable materials away from lit bulb.

## to assemble:

1. Carefully remove all parts from the box.
2. Remove the mounting bracket (B) from the rectangular base (C) by loosening the screws (D).
3. Taking off the open ring (F) and use the dimensions of the fixture as a guide, shorten the chain as needed using a pair of chain pliers.
4. Use the open ring (F) to link the chain and the loop (E), then put the cable (G) and naked earth cable (H) through the chain in every 3-4 rings until through the ceiling loop (E).
5. INSURE THE ELECTRICITY SUPPLY IS TURNED OFF.
6. Affix the mounting bracket (B) on the outlet box.
7. Hold the lamp body and wrap both safety cable with nipples (A), push the cable into the outlet box.
8. Attach the rectangular base (C) to the mounting bracket (B) and secure with screws (D).
9. Install the bulbs on the sockets.
10. Install the iron pipes (I) and the glass stick (J) on the lamp body according to the illustration.
11. Installation is complete, turn on power at fuse or circuit breaker

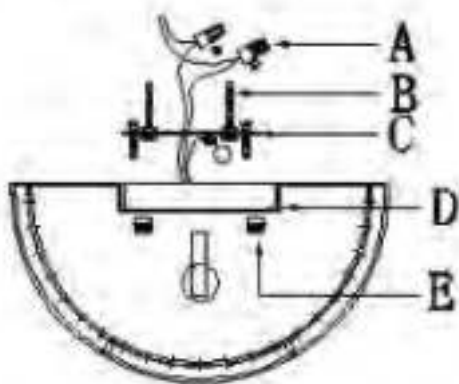
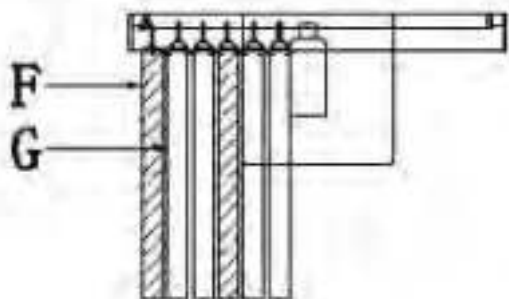
## care instructions:

Clean with a dry, soft cloth only. Use no harsh abrasives or chemical agents.



**parts enclosed:**

Part	Description	Qty.
A	nipples	3
B	screws # B	2
C	mounting bracket	1
D	canopy	1
E	screws # E	2
F	iron sticks	7
G	glass sticks	14



**important safety instructions:**

1. We recommend installation by a licensed electrician.
2. To avoid the risk of fire, do not exceed the recommended wattage for this fixture.

**warnings:**

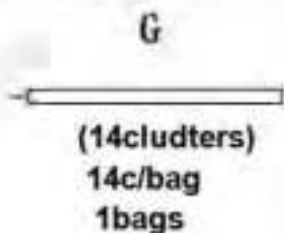
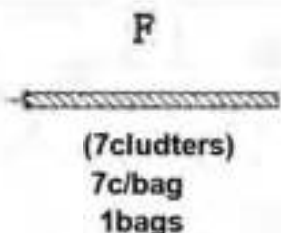
1. Do not remove the lamp from its packaging by pulling on the power cord, as a bad connection may result.
2. To avoid the risk of fire, electrical shock, or personal injury, turn off lamp and allow it to cool prior to replacing light bulb.
3. Do not touch bulb when fixture is turned on or look directly at lit bulb.
4. Keep flammable materials away from lit bulb.

**to assemble:**

1. Carefully remove all parts from the box.
2. Remove the mounting bracket (C) from the canopy (D) by loosening the screws (E).
3. Affix the mounting bracket (C) on the outlet box with the screws (B).
4. INSURE THE ELECTRICITY SUPPLY IS TURNED OFF.
5. Wrap both safety cables with nipples (A), push the base (D) on the bracket (C) and then affix it with screws (E).
6. Install the iron sticks (F) and glass sticks (G) on the lamp body according to the illustration.
7. Install the bulb on the sockets.
8. Installation is complete, turn on power at fuse or circuit breaker.

**care instructions:**

Clean with a dry, soft cloth only. Use no harsh abrasives or chemical agents.



## ANDI INLAY TABLE LAMP

**parts enclosed:**

- A. Finial (1)
- B. Harp (1)

**important safety instructions:**

1. To avoid the risk of fire, do not exceed the recommended wattage for this fixture.

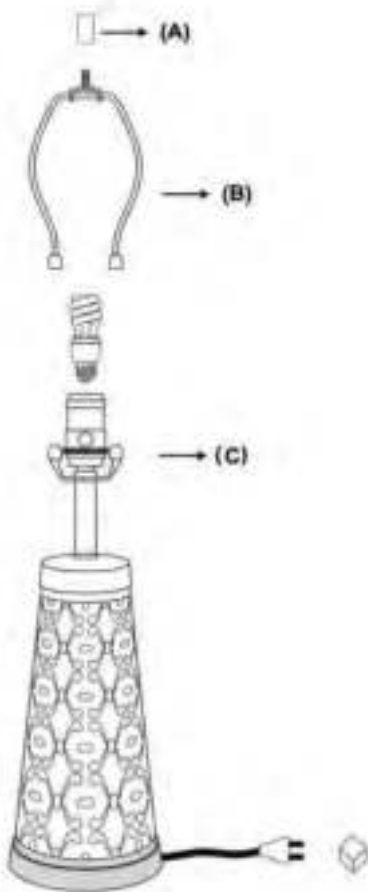
UL NO: E310644, UL RATING: DRY, MAX BULB WATTAGE: 60 W  
CONVERSION TO MAX LED WATTAGE: 12 W  
BULB: 1 X A-19 (NOT INCLUDED)

**warnings:**

1. Do not remove the lamp from its packaging by pulling on the power cord, as a bad connection may result.
2. To avoid the risk of fire, electrical shock, or personal injury, turn off lamp and allow it to cool prior to replacing light bulb.
3. Do not touch bulb when fixture is turned on or look directly at lit bulb.
4. Keep flammable materials away from lit bulb.

**to assemble:**

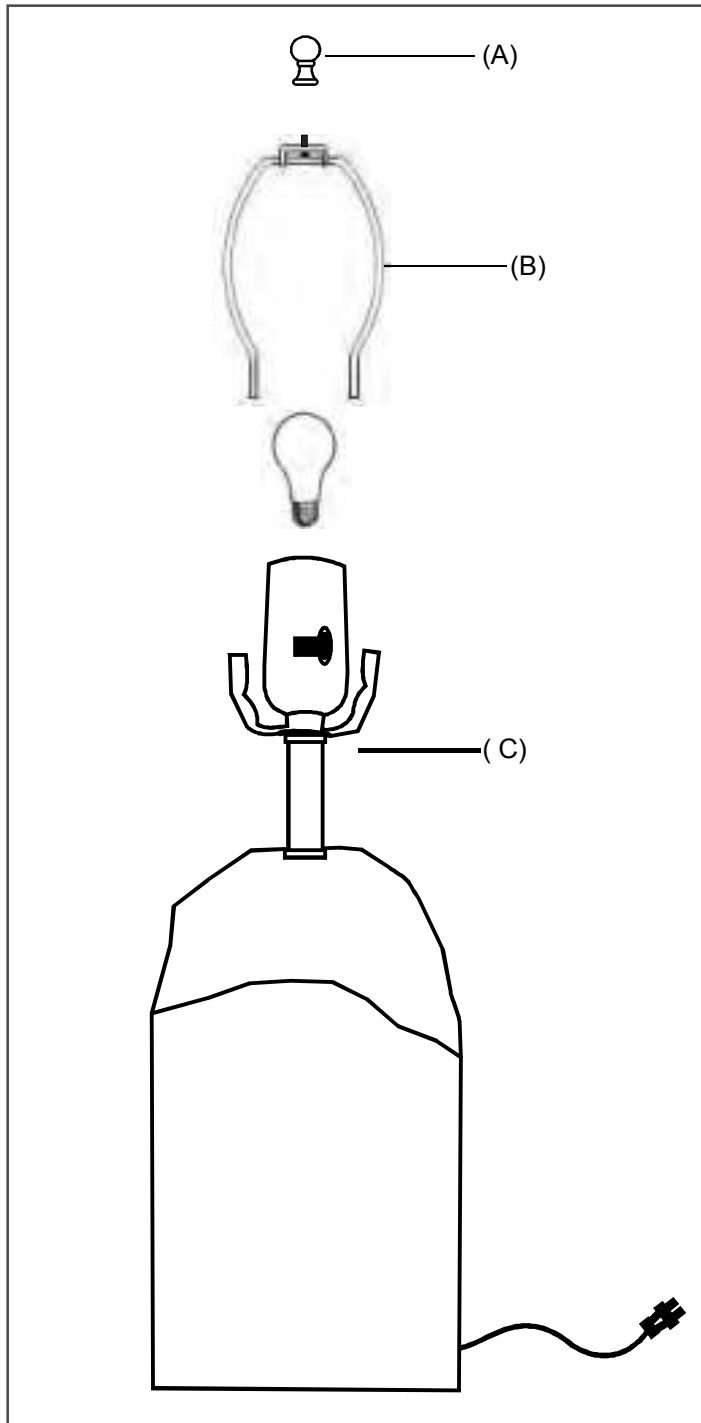
1. Carefully remove all parts from the box and remove all protective coverings.
2. Turn OFF power to the circuit breaker where the lamp will be installed.
3. Attach harp (B) to the saddle (C).
4. Unscrew finial (A) place shade on harp (B) and tighten finial (A) to harp (B).
5. Restore power to the circuit breaker and test lamp fixture.

**care instructions:**

Do not use polishes or cleaners on your lamp. Just wipe with soft, lint free cloth.

**662889L668B ANDRA TABLE LAMP BASE****Parts Enclosed:**

- A) Finial
- B) Harp

**Important Safety Instruction:**

1. We recommend installation by a licensed electrician.
2. To avoid the risk of fire, do not exceed the recommended wattage for this fixture.

UL NO-E194404, UL Rating: Dry, Bulb Wattage: 100 W  
conversion to max 23W SBCFL OR 9W SBLED  
Bulb: 1x Type A (Not included)

**Warnings:**

1. Do not remove the lamp from its packaging by pulling on the power cord, as a bad connection may result.
2. To avoid the risk of fire, electrical shock, or personal injury, turn off lamp and allow it to cool prior to replacing the light bulb.
3. Do not touch the bulb when fixture is turned on or look directly at lit bulb.
4. Keep flammable material away from lit bulb

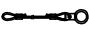

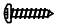










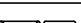





**To Assemble:**

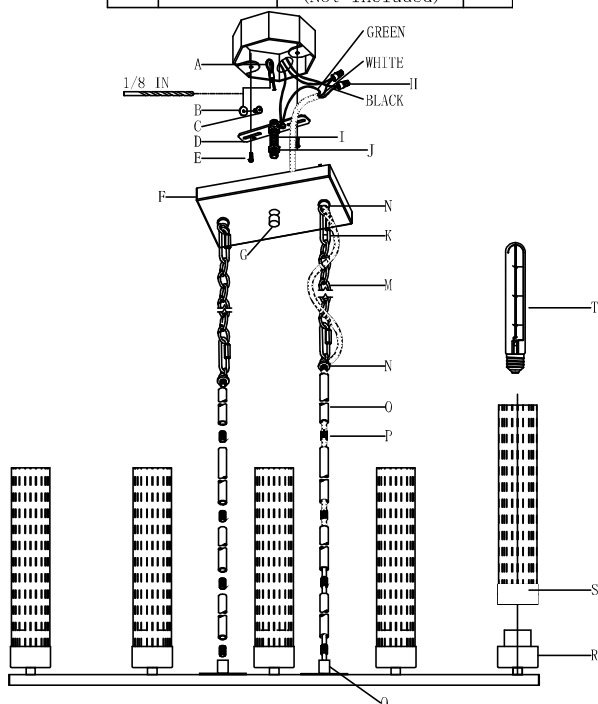
1. Carefully remove all the parts from the box and remove all the protective coverings.
2. Turn OFF the power to the circuit breaker where the lamp will be installed.
3. Attach the Harp (B) to the Saddle (C).
4. Unscrew Finial (A) and place Shade on harp (B) and tighten finial (A) to harp (B).
5. Restore the power to the circuit breaker and test lamp fixture.

**Care Instructions:**

DO NOT use polishes or cleaners on your lamp.  
wipe with soft, lint free cloth.

**parts enclosed:**

ITEM	DIAGRAM	DESCRIPTION	QTY
(A)		Support cable and bracket assy	1
(B)		Steel flat washer	1
(C)		Wood screw	1
(D)		Mounting Plate & Green Ground	1
(E)		Mounting Screw	2
(F)		Canopy	1
(G)		Cylinder nut	1
(H)		Wire Connector	3
(I)		Threaded Tube	1
(J)		Hex Nut	2
(K)		Quick link	4
(M)		Chain	2
(N)		Top ring	4
(O)		Pipe	6
(P)		Threaded tube	6
(Q)		Cover plate (assembled)	2
(R)		Socket (assembled)	5
(S)		Shade (rubber ring assembled on the side)	5
(T)		Bulb (Not Included)	5

**important safety instructions:**

1. We recommend installation by a licensed electrician.
2. To avoid the risk of fire, do not exceed the recommended wattage for this fixture.

**warnings:**

1. Do not remove the lamp from its packaging by pulling on the power cord, as a bad connection may result.
2. To avoid the risk of fire, electrical shock, or personal injury, turn off lamp and allow it to cool prior to replacing light bulb.
3. Do not touch bulb when fixture is turned on or look directly at lit bulb.
4. Keep flammable materials away from lit bulb.

**to assemble:**

1. Carefully remove all parts from the box and remove all protective coverings.
2. Turn OFF power to the junction box where the lamp will be installed.
3. Feed the wires through Threaded tubes (P), Pipes (O), Chain loops (N), Quick links (K), Chains (M); the wires will come out on the backside of Canopy (F).
4. Assemble Threaded tubes (P), Pipes (O), Chain loops (N), Quick links (K), Chains (M) and Canopy (F) together on Cover plates (Q).
5. Using a 1/8 in. drill bit, drill a pilot hole for Support cable (A) inside of the junction box.
6. Assemble Wood screw (C) into Steel flat washer (B) and through the loop in Support cable (A) and install into the previously drilled pilot hole in side of the junction box.
7. Screw Threaded tube (I) and Hex nuts (J) onto the mounting plate (D).
8. Install Mounting screws (E) through Mounting plate (D) to the junction box.
9. Pull wire from ceiling outlet box, and attach ground wire (usually green or bare wire) from ceiling box to ground wire on Mounting Plate (D) with a screw.
10. Attach positive wire from ceiling (usually black or smooth) to positive wire on fixture with a Wire Connector (H) and wrap this connector with electrical tape.
11. Attach neutral wire from ceiling box (usually white or ribbed) with neutral wire on the fixture with a Wire Connector (H), and wrap this connector with electrical tape.
12. Attach Canopy (F) onto ceiling and secure tightly using Cylinder nut (G).
13. Assemble Bulbs (T) and put Shades (S) onto Sockets (R).
14. Restore power to the junction box and test ceiling light fixture.

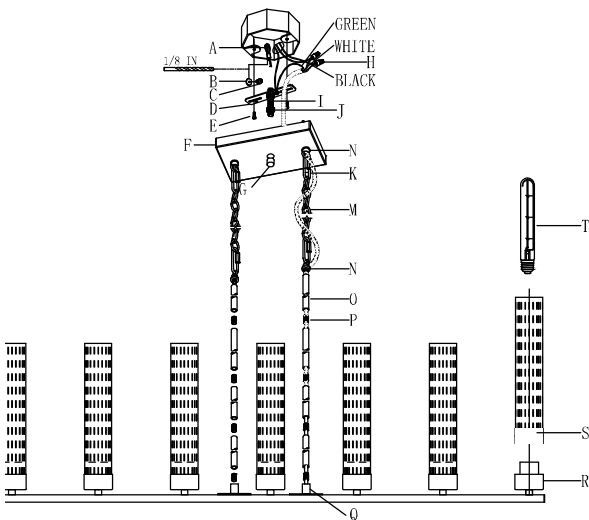
**care instructions:**

Do not use polishes or cleaners on your chandelier.

WIPE WITH A CLEAN SOFT CLOTH

**parts enclosed:**

ITEM	DIAGRAM	DESCRIPTION	QTY
(A)		Support cable and bracket assy	1
(B)		Steel flat washer	1
(C)		Wood screw	1
(D)		Mounting Plate & Green Ground	1
(E)		Mounting Screw	2
(F)		Canopy	1
(G)		Cylinder nut	1
(H)		Wire Connector	3
(I)		Threaded Tube	1
(J)		Hex Nut	2
(K)		Quick link	4
(M)		Chain	2
(N)		Top ring	4
(O)		Pipe	6
(P)		Threaded tube	6
(Q)		Cover plate (assembled)	2
(R)		Socket (assembled)	7
(S)		Shade (rubber ring assembled on the side)	7
(T)		Bulb (Not Included)	7



**important safety instructions:**

1. We recommend installation by a licensed electrician.
2. To avoid the risk of fire, do not exceed the recommended wattage for this fixture.

**warnings:**

1. Do not remove the lamp from its packaging by pulling on the power cord, as a bad connection may result.
2. To avoid the risk of fire, electrical shock, or personal injury, turn off lamp and allow it to cool prior to replacing light bulb.
3. Do not touch bulb when fixture is turned on or look directly at lit bulb.
4. Keep flammable materials away from lit bulb.

**to assemble:**

1. Carefully remove all parts from the box and remove all protective coverings.
2. Turn OFF power to the junction box where the lamp will be installed.
3. Feed the wires through Threaded tubes (P), Pipes (O), Chain loops (N), Quick links (K), Chains (M); the wires will come out on the backside of Canopy (F).
4. Assemble Threaded tubes (P), Pipes (O), Chain loops (N), Quick links (K), Chains (M) and Canopy (F) together on Cover plates (Q).
5. Using a 1/8 in. frill bit, drill a pilot hole for Support cable (A) inside of the junction box.
6. Assemble Wood screw (C) into Steel flat washer (B) and through the loop in Support cable (A) and install into the previously drilled pilot hole in side of the junction box.
7. Screw Threaded tube (I) and Hex nuts (J) onto the mounting plate (D).
8. Install Mounting screws (E) through Mounting plate (D) to the junction box.
9. Pull wire from ceiling outlet box, and attach ground wire (usually green or bare wire) from ceiling box to ground wire on Mounting Plate (D) with a screw.
10. Attach positive wire from ceiling (usually black or smooth) to positive wire on fixture with a Wire Connector (H) and wrap this connector with electrical tape.
11. Attach neutral wire from ceiling box (usually white or ribbed) with neutral wire on the fixture with a Wire Connector (H), and wrap this connector with electrical tape.
12. Attach Canopy (F) onto ceiling and secure tightly using Cylinder nut (G).
13. Assemble Bulbs (T) and put Shades (S) onto Sockets (R).
14. Restore power to the junction box and test ceiling light fixture.

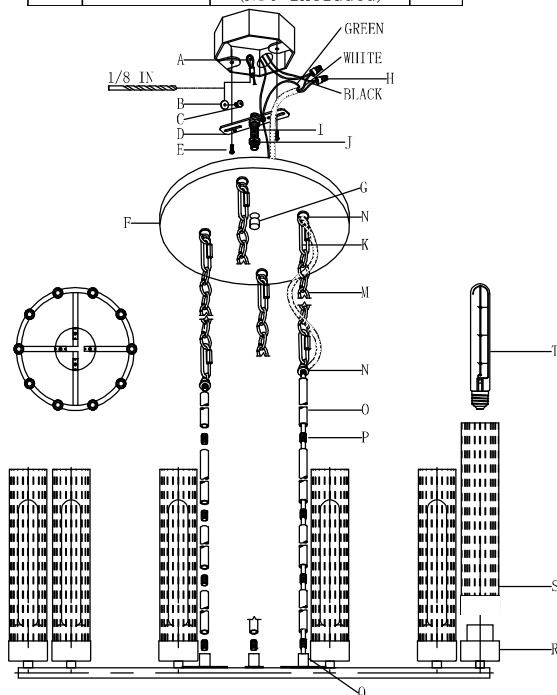
**care instructions:**

Do not use polishes or cleaners on your chandelier.

WIPE WITH A CLEAN SOFT CLOTH

## parts enclosed:

ITEM	DIAGRAM	DESCRIPTION	QTY
(A)		Support cable and bracket assy	1
(B)		Steel flat washer	1
(C)		Wood screw	1
(D)		Mounting Plate & Green Ground	1
(E)		Mounting Screw	2
(F)		Canopy	1
(G)		Cylinder nut	1
(H)		Wire Connector	3
(I)		Threaded Tube	1
(J)		Hex Nut	2
(K)		Quick link	8
(M)		Chain	4
(N)		Top ring	8
(O)		Pipe	12
(P)		Threaded tube	12
(Q)		Cover plate (assembled)	4
(R)		Socket	10
(S)		Shade (rubber ring assembled on the side)	10
(T)		Bulb (Not Included)	10



## important safety instructions:

1. We recommend installation by a licensed electrician.
2. To avoid the risk of fire, do not exceed the recommended wattage for this fixture.

## warnings:

1. Do not remove the lamp from its packaging by pulling on the power cord, as a bad connection may result.
2. To avoid the risk of fire, electrical shock, or personal injury, turn off lamp and allow it to cool prior to replacing light bulb.
3. Do not touch bulb when fixture is turned on or look directly at lit bulb.
4. Keep flammable materials away from lit bulb.

## to assemble:

1. Carefully remove all parts from the box and remove all protective coverings.
2. Turn OFF power to the junction box where the lamp will be installed.
3. Feed the wires through Threaded tubes (P), Pipes (O), Chain loop (N), Quick links (K), Chains (M); the wires will come out on the backside of Canopy (F).
4. Assemble Pipes (O), Chain loops (N), Quick links (K), Chains (M) and Canopy (F) together on Cover plates (Q).
5. Using a 1/8 in. drill bit, drill a pilot hole for Support cable (A) inside of the junction box.
6. Assemble Wood screw (C) into Steel flat washer (B) and through the loop in Support cable (A) and install into the previously drilled pilot hole in side of the junction box.
7. Screw Threaded tube (I) and Hex nuts (J) onto the mounting plate (D).
8. Install Mounting screws (E) through Mounting plate (D) to the junction box.
9. Pull wire from ceiling outlet box, and attach ground wire (usually green of bare wire) from ceiling box to ground wire on Mounting Plate (D) with a screw.
10. Attach positive wire from ceiling (usually black or smooth) to positive wire on fixture with a Wire Connector (H) and wrap this connector with electrical tape.
11. Attach neutral wire from ceiling box (usually white or ribbed) with neutral wire on the fixture with a Wire Connector (H), and wrap this connector with electrical tape.
12. Attach Canopy (F) onto ceiling and secure tightly using Cylinder nut (G).
13. Assemble Bulbs (T) and put Shades onto Sockets (R).
14. Restore power to the junction box and test ceiling light fixture.

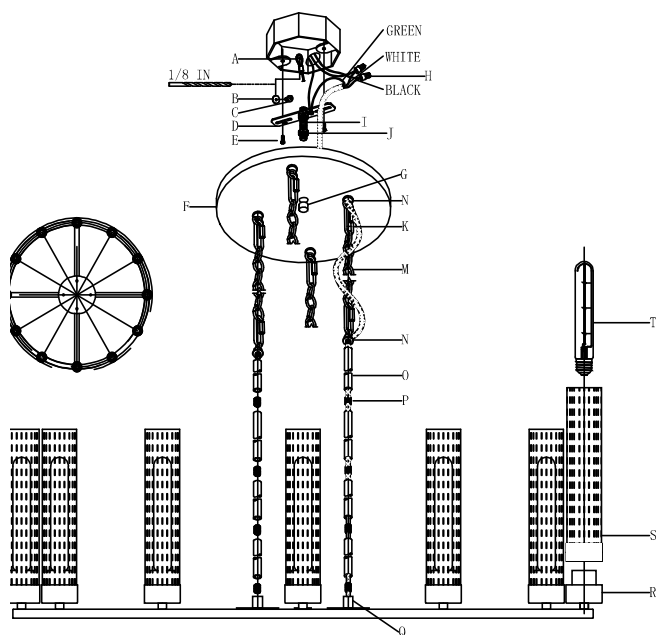
## care instructions:

Do not use polishes or cleaners on your chandelier.

WIPE WITH A CLEAN SOFT CLOTH

**parts enclosed:**

ITEM	DIAGRAM	DESCRIPTION	QTY
(A)		Support cable and bracket assy	1
(B)		Steel flat washer	1
(C)		Wood screw	1
(D)		Mounting Plate & Green Ground	1
(E)		Mounting Screw	2
(F)		Canopy	1
(G)		Cylinder nut	1
(H)		Wire Connector	3
(I)		Threaded Tube	1
(J)		Hex Nut	2
(K)		Quick link	8
(M)		Chain	4
(N)		Top ring	8
(O)		Pipe	12
(P)		Threaded tube	12
(Q)		Cover plate (assembled)	4
(R)		Socket	12
(S)		Shade (rubber ring assembled on the side)	12
(T)		Bulb (Not Included)	12



**important safety instructions:**

1. We recommend installation by a licensed electrician.
2. To avoid the risk of fire, do not exceed the recommended wattage for this fixture.

**warnings:**

1. Do not remove the lamp from its packaging by pulling on the power cord, as a bad connection may result.
2. To avoid the risk of fire, electrical shock, or personal injury, turn off lamp and allow it to cool prior to replacing light bulb.
3. Do not touch bulb when fixture is turned on or look directly at lit bulb.
4. Keep flammable materials away from lit bulb.

**to assemble:**

1. Carefully remove all parts from the box and remove all protective coverings.
2. Turn OFF power to the junction box where the lamp will be installed.
3. Pull the wires through Threaded tubes (P), Pipes (O), Chain loop (N), Quick links (K), Chains (M) and Canopy (F).
4. Assemble Pipes (O), Chain loops (N), Quick links (K), Chains (M) and Canopy (F) together on Cover plates (Q).
5. Using a 1/8 in. frill bit, drill a pilot hole for Support cable (A) inside of the junction box.
6. Assemble Wood screw (C) into Steel flat washer (B) through the loop in Support cable (A) and install into the previously drilled pilot hole in side of the junction box.
7. Screw Threaded tube (I) and Hex nuts (J) onto the mounting plate (D).
8. Install Mounting screws (E) through Mounting plate (D) to the junction box.
9. Pull wire from ceiling outlet box, and attach ground wire (usually green or bare wire) from ceiling box to ground wire on Mounting Plate (D) with a screw.
10. Attach positive wire from ceiling (usually black or smooth) to positive wire on fixture with a Wire Connector (H) and wrap this connector with electrical tape.
11. Attach neutral wire from ceiling box (usually white or ribbed) with neutral wire on the fixture with a Wire Connector (H), and wrap this connector with electrical tape.
12. Attach Canopy (F) onto ceiling and secure tightly using Cylinder nut (G).
13. Assemble Bulbs (T) and put Shades onto Sockets (R).
14. Restore power to the junction box and test ceiling light fixture.

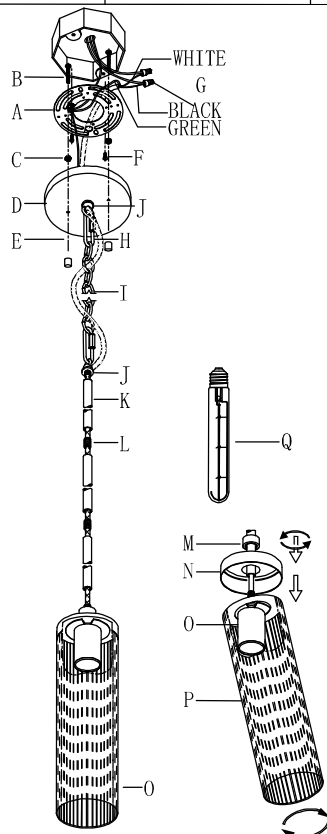
**care instructions:**

Do not use polishes or cleaners on your chandelier.

WIPE WITH A CLEAN SOFT CLOTH

**parts enclosed:**

ITEM	DIAGRAM	DESCRIPTION	QTY
(A)		Round mounting plate & green ground	1
(B)		Screw	2
(C)		Hex nut	2
(D)		Canopy	1
(E)		Cylinder nut	2
(F)		Mounting Screw	2
(G)		Wire connector	3
(H)		Quick link	2
(I)		Chain	1
(J)		Top ring	2
(K)		Pipe	3
(L)		Threaded tube	3
(M)		Threaded joint	1
(N)		Shade cap	1
(O)		Fixture socket	1
(P)		Shade	1
(Q)		Bulb (Not Included)	1

**important safety instructions:**

1. We recommend installation by a licensed electrician.
2. To avoid the risk of fire, do not exceed the recommended wattage for this fixture.

**warnings:**

1. Do not remove the lamp from its packaging by pulling on the power cord, as a bad connection may result.
2. To avoid the risk of fire, electrical shock, or personal injury, turn off lamp and allow it to cool prior to replacing light bulb.
3. Do not touch bulb when fixture is turned on or look directly at lit bulb.
4. Keep flammable materials away from lit bulb.

**to assemble:**

1. Carefully remove all parts from the box and remove all protective coverings.
2. Turn OFF power to the junction box where the lamp will be installed.
3. Feed the wires through Threaded tubes (L), Pipes (K), Top rings (J), Quick links (H); the wires will come out on the backside of Canopy (D). Assemble Threaded tubes (L), Pipes (K), Top rings (J), Quick links (H) and Canopy (D) together.
4. Insert Screws (B) into Round mounting plate (A) with Hex nuts (C).
5. Install Round mounting plate (A) to outlet box using Mounting screws (F).
6. Pull wire from ceiling outlet box, and attach ground wire (usually green or bare wire) from ceiling box to ground wire on Round mounting plate (A) with a screw.
7. Attach positive wire from ceiling (usually black or smooth) to positive wire on fixture with a Wire Connector (G) and wrap this connector with electrical tape.
8. Attach neutral wire from ceiling box (usually white or ribbed) with neutral wire on the fixture with a Wire Connector (G), and wrap this connector with electrical tape.
9. Attach Canopy (D) onto ceiling and secure tightly using Cylinder nuts (E).
10. Unscrew the Threaded joint (M) over the Shade cap (N) and move up Shade cap (N). Put the fixture socket (O) into the Shade hole (P) and screw the threaded joint (M) with the shade cap (N).
11. Screw Bulb (Q) onto the pendant.
12. Restore power to the junction box and test ceiling light fixture.






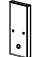
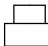



**care instructions:**

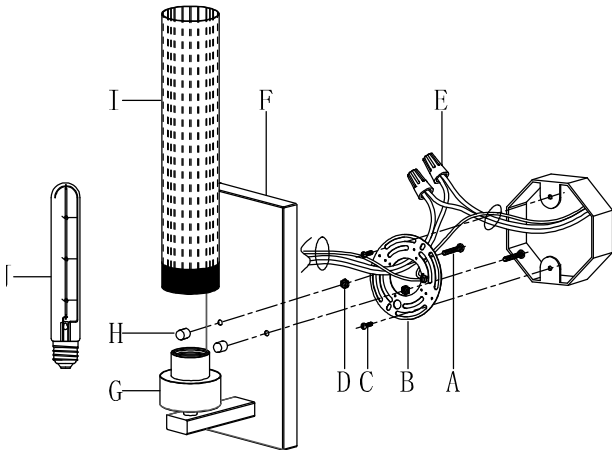
Do not use polishes or cleaners on your pendant.

WIPE WITH A CLEAN SOFT CLOTH



**parts enclosed:**

ITEM	DIAGRAM	DESCRIPTION	QTY
(A)		Screw	2
(B)		Round mounting plate & green ground	1
(C)		Mounting Screw	2
(D)		Hex nut	2
(E)		Wire connector	3
(F)		Canopy	1
(G)		Socket	1
(H)		Cylinder nut	2
(I)		Shade	1
(J)		Bulb (Not Included)	1



**important safety instructions:**

1. We recommend installation by a licensed electrician.
2. To avoid the risk of fire, do not exceed the recommended wattage for this fixture.

**warnings:**

1. Do not remove the lamp from its packaging by pulling on the power cord, as a bad connection may result.
2. To avoid the risk of fire, electrical shock, or personal injury, turn off lamp and allow it to cool prior to replacing light bulb.
3. Do not touch bulb when fixture is turned on or look directly at lit bulb.
4. Keep flammable materials away from lit bulb.

**to assemble:**

1. Carefully remove all parts from the box and remove all protective coverings.
2. Turn OFF power to the junction box where the lamp will be installed.
3. Insert Screws (A) into Round mounting plate (B) with Hex nuts (D).
4. Install Round mounting plate (B) to outlet box using Mounting screws (C).
5. Pull wire from ceiling outlet box, and attach ground wire (usually green or bare wire) from ceiling box to ground wire on Round mounting plate (B) with a screw.
6. Attach positive wire from ceiling (usually black or smooth) to positive wire on fixture with a Wire Connector (E) and wrap this connector with electrical tape.
7. Attach neutral wire from ceiling box (usually white or ribbed) with neutral wire on the fixture with a Wire Connector (E), and wrap this connector with electrical tape.
8. Attach Canopy (F) onto ceiling and secure tightly using Cylinder nuts (H).
9. Assemble Bulb (J) and screw Shade (I) onto Socket (G).
10. Restore power to the junction box and test ceiling light fixture.

**care instructions:**

Do not use polishes or cleaners on your wall sconce.

WIPE WITH A CLEAN SOFT CLOTH

# LIGHTING PARTS SKUS

CATEGORY	SKU	DESCRIPTION	STATUS	COLLECTION	ROUTE
LIGHTING	9110031H17CH	ANDREAS CHAND 12 FT CHAIN 12 FT BRONZE CHAIN	A	PT-ANDREAS	PART
LIGHTING	9110031H17P12	ANDREAS CHAND 12" ROD 12" BRONZE ROD	A	PT-ANDREAS	PART
LIGHTING	9110031H17P18	ANDREAS CHAND 18" ROD 18" BRONZE ROD	A	PT-ANDREAS	PART
LIGHTING	9110031H17CH6	ANDREAS CHAND 6 FT CHAIN 6 FT BRONZE CHAIN	A	PT-ANDREAS	PART
LIGHTING	9110031H17P6	ANDREAS CHAND 6" ROD 6" BRONZE ROD	A	PT-ANDREAS	PART
LIGHTING	9110031H17G	ANDREAS CHAND GLASS TUBE 2.4" GLASS TUBE REPLACEMENT	A	PT-ANDREAS	PART
LIGHTING	9110031H20CN	ANDREAS CHAND RECT CANOPY 10X4.5 RECT CANOPY W/ HARDWARE	A	PT-ANDREAS	PART
LIGHTING	9110031H17CN	ANDREAS CHAND ROUND CANOPY 9.9" DIAM CANOPY W/ HARDWARE	A	PT-ANDREAS	PART
LIGHTING	9110031H21CN	ANDREAS PENDANT CANOPY 5" DIAM CANOPY W/ HARDWARE	A	PT-ANDREAS	PART
LIGHTING	9110031H21G	ANDREAS PENDANT GLASS TUBE 3.5" GLASS TUBE REPLACEMENT	A	PT-ANDREAS	PART
LIGHTING	9110031H21MP	ANDREAS SCONCE HARDWARE MOUNTING PLATE W/ HARDWARE	A	PT-ANDREAS	PART

parts enclosed:

ITEM	DIAGRAM	DESCRIPTION	QTY
(A)		Support cable and bracket assy	1
(B)		Steel flat washer	1
(C)		Wood screw	1
(D)		Mounting Plate & Green Ground	1
(E)		Mounting Screw	2
(F)		Canopy	1
(G)		Cylinder nut	1
(H)		Wire Connector	3
(I)		Threaded Tube	1
(J)		Hex Nut	2
(K)		Quick link	4
(M)		Chain	2
(N)		Top ring	4
(O)		Pipe	4
(P)		Threaded tube	4
(Q)		Cover plate (assembled)	2
(R)		Socket (assembled)	5
(S)		Shade (black sponge assembled on the side)	5
(T)		Bulb (Not Included)	5

important safety instructions:

1. We recommend installation by a licensed electrician.
2. To avoid the risk of fire, do not exceed the recommended wattage for this fixture.

warnings:

1. Do not remove the lamp from its packaging by pulling on the power cord, as a bad connection may result.
2. To avoid the risk of fire, electrical shock, or personal injury, turn off lamp and allow it to cool prior to replacing light bulb.
3. Do not touch bulb when fixture is turned on or look directly at lit bulb.
4. Keep flammable materials away from lit bulb.

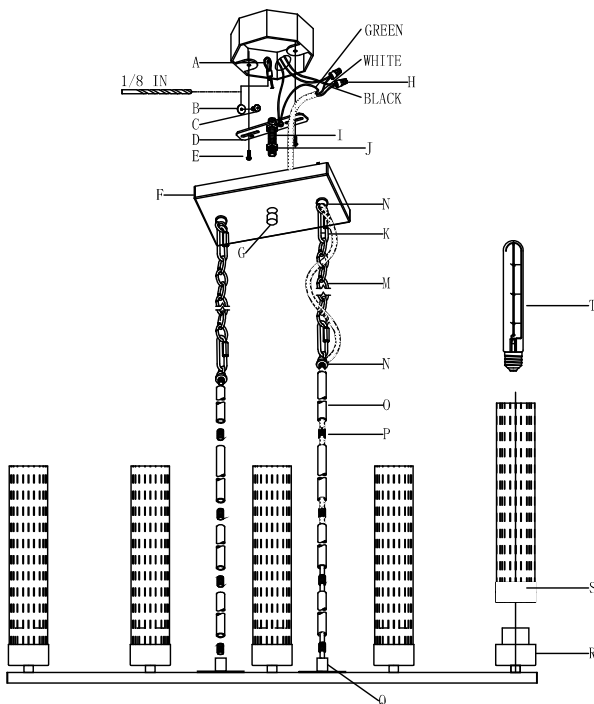
to assemble:

1. Carefully remove all parts from the box and remove all protective coverings.
2. Turn OFF power to the junction box where the lamp will be installed.
3. Feed the wires through Threaded tubes (P), Pipes (O), Chain loops (N), Quick links (K), Chains (M); the wires will come out on the backside of Canopy (F).
4. Assemble Threaded tubes (P), Pipes (O), Chain loops (N), Quick links (K), Chains (M) and Canopy (F) together on Cover plates (Q).
5. Using a 1/8 in. frill bit, drill a pilot hole for Support cable (A) inside of the junction box.
6. Assemble Wood screw (C) into Steel flat washer (B) and through the loop in Support cable (A) and install into the previously drilled pilot hole in side of the junction box.
7. Screw Threaded tube (I) and Hex nuts (J) onto the mounting plate (D).
8. Install Mounting screws (E) through Mounting plate (D) to the junction box.
9. Pull wire from ceiling outlet box, and attach ground wire (usually green of bare wire) from ceiling box to ground wire on Mounting Plate (D) with a screw.
10. Attach positive wire from ceiling (usually black or smooth) to positive wire on fixture with a Wire Connector (H) and wrap this connector with electrical tape.
11. Attach neutral wire from ceiling box (usually white or ribbed) with neutral wire on the fixture with a Wire Connector (H), and wrap this connector with electrical tape.
12. Attach Canopy (F) onto ceiling and secure tightly using Cylinder nut (G).
13. Assemble Bulbs (T) and put Shades (S) onto Sockets (R).
14. Restore power to the junction box and test ceiling light fixture.

care instructions:

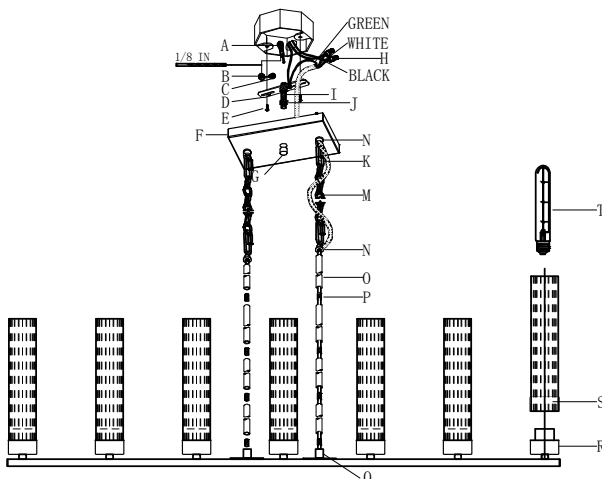
Do not use polishes or cleaners on your chandelier.

WIPE WITH A CLEAN SOFT CLOTH



**parts enclosed:**

ITEM	DIAGRAM	DESCRIPTION	QTY
(A)		Support Cable & bracket assembly	1
(B)		Steel Flat Washer	1
(C)		Wood Screw	1
(D)		Mounting Plate & Green Ground Screw	1
(E)		Mounting Screw	2
(F)		Canopy	1
(G)		Cylinder Nut	1
(H)		Wire Connectors	3
(I)		Threaded Nipple	1
(J)		Hex Nut	2
(K)		Quick Link	4
(M)		Chain	2
(N)		Top Ring	4
(O)		Pipe	6
(P)		Threaded Nipple	6
(Q)		Cover Plate (assembled)	2
(R)		Socket	7
(S)		Glass	7
(T)		Light Bulb (not included)	7



**important safety instructions:**

1. We recommend installation by a licensed electrician.
2. To avoid the risk of fire, do not exceed the recommended wattage for this fixture.

**warnings:**

1. Do not remove the lamp from its packaging by pulling on the power cord, as a bad connection may result.
2. To avoid the risk of fire, electrical shock, or personal injury, turn off lamp and allow it to cool prior to replacing light bulb.
3. Do not touch bulb when fixture is turned on or look directly at lit bulb.
4. Keep flammable materials away from lit bulb.

**to assemble:**

1. Carefully remove all parts from the box and remove all protective coverings.
2. Turn OFF power to the junction box where the lamp will be installed.
3. Feed the wires through Threaded tubes (P), Pipes (O), Top rings (N), Quick links (K), Chains (M); the wires will come out on the backside of Canopy (F).
4. Assemble Threaded tubes (P), Pipes (O), Top rings (N), Quick links (K), Chains (M) and Canopy (F) together on Cover plates (Q).
5. Using a 1/8 in. frill bit, drill a pilot hole for Support cable (A) inside of the junction box.
6. Assemble Wood screw (C) into Steel flat washer (B) and through the loop in Support cable (A) and install into the previously drilled pilot hole in side of the junction box.
7. Screw Threaded tube (I) and Hex nuts (J) onto the mounting plate (D).
8. Install Mounting screws (E) through Mounting plate (D) to the junction box.
9. Pull wire from ceiling outlet box, and attach ground wire (usually green or bare wire) from ceiling box to ground wire on Mounting Plate (D) with a screw.
10. Attach positive wire from ceiling (usually black or smooth) to positive wire on fixture with a Wire Connector (H) and wrap this connector with electrical tape.
11. Attach neutral wire from ceiling box (usually white or ribbed) with neutral wire on the fixture with a Wire Connector (H), and wrap this connector with electrical tape.
12. Attach Canopy (F) onto ceiling and secure tightly using Cylinder nut (G).
13. Assemble Bulbs (T) and put Shades (S) onto Sockets (R).
14. Restore power to the junction box and test ceiling light fixture.

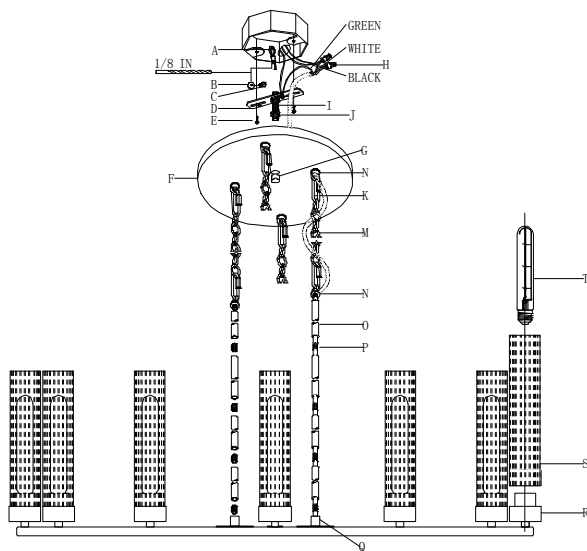
**care instructions:**

Do not use polishes or cleaners on your chandelier.

WIPE WITH A CLEAN SOFT CLOTH

**parts enclosed:**

ITEM	DIAGRAM	DESCRIPTION	QTY
(A)		Support cable and bracket assy	1
(B)		Steel flat washer	1
(C)		Wood screw	1
(D)		Mounting Plate & Green Ground	1
(E)		Mounting Screw	2
(F)		Canopy	1
(G)		Cylinder nut	1
(H)		Wire Connector	3
(I)		Threaded Tube	1
(J)		Hex Nut	2
(K)		Quick link	8
(M)		Chain	4
(N)		Top ring	8
(O)		Pipe	8
(P)		Threaded tube	8
(Q)		Cover plate (assembled)	4
(R)		Socket	10
(S)		Shade (rubber ring assembled on the side)	10
(T)		Bulb (Not Included)	10



**important safety instructions:**

1. We recommend installation by a licensed electrician.
2. To avoid the risk of fire, do not exceed the recommended wattage for this fixture.

**warnings:**

1. Do not remove the lamp from its packaging by pulling on the power cord, as a bad connection may result.
2. To avoid the risk of fire, electrical shock, or personal injury, turn off lamp and allow it to cool prior to replacing light bulb.
3. Do not touch bulb when fixture is turned on or look directly at lit bulb.
4. Keep flammable materials away from lit bulb.

**to assemble:**

1. Carefully remove all parts from the box and remove all protective coverings.
2. Turn OFF power to the junction box where the lamp will be installed.
3. Feed the wires through Threaded tubes (P), Pipes (O), Top rings (N), Quick links (K), Chains (M); the wires will come out on the backside of Canopy (F).
4. Assemble Pipes (O), Top rings (N), Quick links (K), Chains (M) and Canopy (F) together on Cover plates (Q).
5. Using a 1/8 in. drill bit, drill a pilot hole for Support cable (A) inside of the junction box.
6. Assemble Wood screw (C) into Steel flat washer (B) and through the loop in Support cable (A) and install into the previously drilled pilot hole in side of the junction box.
7. Screw Threaded tube (I) and Hex nuts (J) onto the mounting plate (D).
8. Install Mounting screws (E) through Mounting plate (D) to the junction box.
9. Pull wire from ceiling outlet box, and attach ground wire (usually green or bare wire) from ceiling box to ground wire on Mounting Plate (D) with a screw.
10. Attach positive wire from ceiling (usually black or smooth) to positive wire on fixture with a Wire Connector (H) and wrap this connector with electrical tape.
11. Attach neutral wire from ceiling box (usually white or ribbed) with neutral wire on the fixture with a Wire Connector (H), and wrap this connector with electrical tape.
12. Attach Canopy (F) onto ceiling and secure tightly using Cylinder nut (G).
13. Assemble Bulbs (T) and put Shades onto Sockets (R).
14. Restore power to the junction box and test ceiling light fixture.

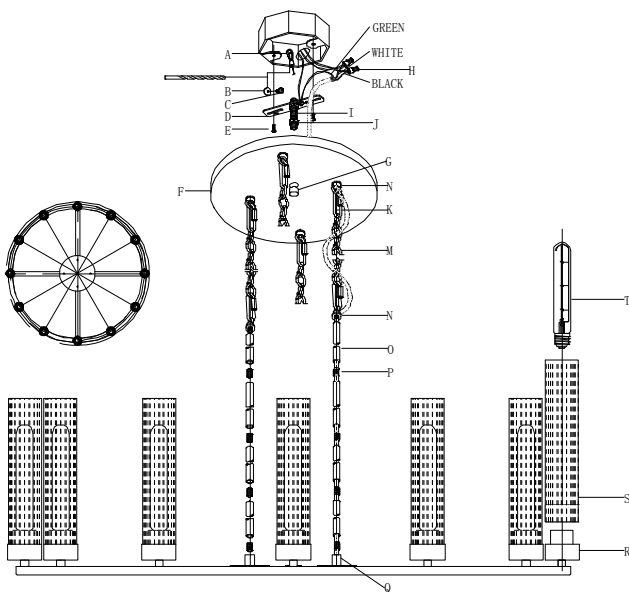
**care instructions:**

Do not use polishes or cleaners on your chandelier.

WIPE WITH A CLEAN SOFT CLOTH

parts enclosed:

ITEM	DIAGRAM	DESCRIPTION	QTY
(A)		Support Cable & bracket assembly	1
(B)		Steel Flat Washer	1
(C)		Wood Screw	1
(D)		Mounting Plate & Green Ground Screw	1
(E)		Mounting Screw	2
(F)		Canopy	1
(G)		Cylinder Nut	1
(H)		Wire Connectors	3
(I)		Threaded Nipple	1
(J)		Hex Nut	2
(K)		Quick Link	8
(M)		Chain	4
(N)		Top Ring	8
(O)		Pipe	8
(P)		Threaded Nipple	8
(Q)		Cover Plate (assembled)	4
(R)		Socket	12
(S)		Glass	12
(T)		Light Bulb (not included)	12



important safety instructions:

1. We recommend installation by a licensed electrician.
2. To avoid the risk of fire, do not exceed the recommended wattage for this fixture.

warnings:

1. Do not remove the lamp from its packaging by pulling on the power cord, as a bad connection may result.
2. To avoid the risk of fire, electrical shock, or personal injury, turn off lamp and allow it to cool prior to replacing light bulb.
3. Do not touch bulb when fixture is turned on or look directly at lit bulb.
4. Keep flammable materials away from lit bulb.

to assemble:

1. Carefully remove all parts from the box and remove all protective coverings.
2. Turn OFF power to the junction box where the lamp will be installed.
3. Pull the wires through Threaded Nipples (P), Pipes (O), Top rings (N), Quick links (K), Chains (M) and Canopy (F).
4. Assemble Pipes (O), Top rings (N), Quick links (K), Chains (M) and Canopy (F) together on Cover plates (Q).
5. Using a 1/8 in. frill bit, drill a pilot hole for Support cable (A) inside of the junction box.
6. Assemble Wood screw (C) into Steel flat washer (B) through the loop in Support cable (A) and install into the previously drilled pilot hole in side of the junction box.
7. Screw Threaded Nipple (I) and Hex nuts (J) onto the mounting plate (D).
8. Install Mounting screws (E) through Mounting plate (D) to the junction box.
9. Pull wire from ceiling outlet box, and attach ground wire (usually green or bare wire) from ceiling box to ground wire on Mounting Plate (D) with a screw.
10. Attach positive wire from ceiling (usually black or smooth) to positive wire on fixture with a Wire Connector (H) and wrap this connector with electrical tape.
11. Attach neutral wire from ceiling box (usually white or ribbed) with neutral wire on the fixture with a Wire Connector (H), and wrap this connector with electrical tape.
12. Attach Canopy (F) onto ceiling and secure tightly using Cylinder nut (G).
13. Assemble Bulbs (T) and put Shades onto Sockets (R).
14. Restore power to the junction box and test ceiling light fixture.

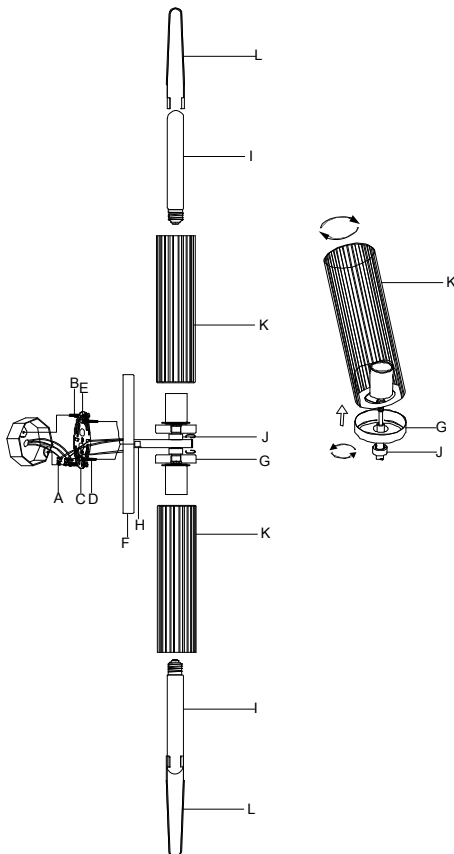
care instructions:

Do not use polishes or cleaners on your chandelier.

WIPE WITH A CLEAN SOFT CLOTH.

parts enclosed:

ITEM	DIAGRAM	DESCRIPTION	QTY
(A)		Wire Connectors	3
(B)		Mounting Screw	2
(C)		Mounting Plate & green ground screw	1
(D)		Backplate Screw	2
(E)		Hex Nut	2
(F)		Backplate	1
(G)		Shade Cap	2
(H)		Cylinder Nut	2
(I)		Light Bulb (not included)	2
(J)		Threaded Joint	2
(K)		Glass Shade	2
(L)		Clamp	1



important safety instructions:

**CONSULT A QUALIFIED ELECTRICIAN TO ENSURE CORRECT BRANCH CIRCUIT CONDUCTOR.**

1. We recommend installation by a licensed electrician.
2. To avoid the risk of fire, do not exceed the recommended wattage of two 5-watt Type T LED lightbulb (60-watt incandescent bulb equivalent) for this fixture.

warnings:

1. All wires are connected. Do not remove the fixture from packaging by pulling on the wires as a bad connection may result.
2. To avoid the risk of fire, electrical shock, or personal injury, always turn off fixture and allow it to cool prior to replacing the lightbulb.
3. Do not touch bulb when fixture is turned on or look directly at lit bulb.
4. Keep flammable materials away from lit bulb.

to assemble:

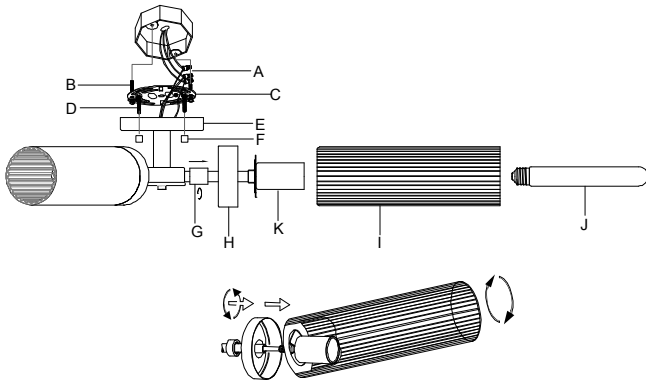
1. Carefully remove all parts from the box and remove all protective coverings. Take care not to lose any small parts.
2. Turn OFF power at the outlet box where the lamp will be installed.
3. Insert the Backplate Screws (D) into the Mounting Plate (C) and tighten with the Hex Nuts (E) provided on the Backplate Screws (D).
4. Attach the Mounting Plate (C) to outlet box using the Mounting Screws (B), tighten with a screwdriver. Ensure the side of the Mounting Plate (C) marked "GND" is facing out.
5. While holding the fixture, connect the black wire from fixture to the hot wire (usually black or smooth) from the outlet box using a wire connector (A). Connect the white wire from fixture to the neutral wire (usually white or ribbed) from the outlet box using a wire connector (A). DO NOT REVERSE THE HOT AND NEUTRAL WIRE CONNECTIONS; OTHERWISE, SAFETY WILL BE COMPROMISED.
6. If the outlet box has a ground wire (green or bare copper), connect the green ground wire from the fixture to it using a wire connector (A). If the outlet box does not have a ground wire, connect the green ground wire from the fixture to the green ground screw provided on the Mounting Plate (C).
7. Tuck these wire connections neatly into the outlet box, place the Backplate (F) over the Mounting Plate (C) and align the two holes on the Backplate (F) with the Backplate Screws (D), secure the Backplate (F) with the Cylinder Nuts (H) until the fixture is secured to the wall.
8. Loose the Shade Caps (G) by unscrewing the Threaded Joints (J), put the sockets into the Glass Shades (K) according to the diagram and secure the Shade Caps (G) in place by screwing the Threaded Joints (J).
9. Install the proper light bulb (I) (not included) in accordance with the fixture's specifications (DO NOT EXCEED THE SPECIFIED WATTAGE RATING) by using the Clamp (L).
10. Installation is completed. Turn on the power at the circuit breaker or fuse box. Turn the light switch to activate the fixture.

care instructions:

Wipe all surfaces with a soft, dry cloth. Do not use any harsh cleaners (including ammonia-based products) or abrasives on the fixture as they will damage the surface.

**parts enclosed:**

ITEM	DIAGRAM	DESCRIPTION	QTY
(A)		Wire Connectors	3
(B)		Mounting Screw	2
(C)		Mounting Plate & green ground screw	1
(D)		Canopy Screw	2
(E)		Canopy	1
(F)		Cylinder Nut	2
(G)		Threaded Joint	3
(H)		Shade Cap	3
(I)		Glass Shade	3
(J)		Light Bulb (not included)	3
(K)		Socket	3



**important safety instructions:**

**CONSULT A QUALIFIED ELECTRICIAN TO ENSURE CORRECT BRANCH CIRCUIT CONDUCTOR.**

1. We recommend installation by a licensed electrician.
2. To avoid the risk of fire, do not exceed the recommended wattage of three 5-watt Type T9 LED lightbulb (60-watt incandescent bulb equivalent) for this fixture.

**warnings:**

1. All wires are connected. Do not remove the fixture from packaging by pulling on the wires as a bad connection may result.
2. To avoid the risk of fire, electrical shock, or personal injury, always turn off fixture and allow it to cool prior to replacing the lightbulb.
3. Do not touch bulb when fixture is turned on or look directly at lit bulb.
4. Keep flammable materials away from lit bulb.

**to assemble:**

1. Carefully remove all parts from the box and remove all protective coverings. Take care not to lose any small parts.
2. Turn OFF power at the outlet box where the fixture will be installed.
3. Insert the Canopy Screws (D) into the Mounting Plate (C) and tighten with the Hex Nuts provided on the Canopy Screw (D).
4. Attach the Mounting Plate (C) to outlet box using the Mounting Screws (B), tighten with a screwdriver. Ensure the side of the Mounting Plate (C) marked "GND" is facing out.
5. Loose the Shade Caps (H) by unscrewing the Threaded Joints (G), put the fixture Sockets (K) into the Glass Shades (I) and secure the Shade Caps (H) in place by screwing the Threaded Joints (G).
6. While holding the fixture, connect the black wire from fixture to the hot wire (usually black or smooth) from the outlet box using a wire connector (A). Connect the white wire from fixture to the neutral wire (usually white or ribbed) from the outlet box using a wire connector (A). **DO NOT REVERSE THE HOT AND NEUTRAL WIRE CONNECTIONS; OTHERWISE, SAFETY WILL BE COMPROMISED.**
7. If the outlet box has a ground wire (green or bare copper), connect the green ground wire from the fixture to it using a wire connector (A). If the outlet box does not have a ground wire, connect the green ground wire from the fixture to the green ground screw provided on the Mounting Plate (C).
8. Tuck these wire connections neatly into the outlet box, place the Canopy (E) over the Mounting Plate (C) and align the two holes on the Canopy (E) with the Canopy Screws (D), secure the Canopy (E) with the Cylinder Nuts (F) until the fixture is secured to the ceiling.
9. Install the proper light bulb (not included) in accordance with the fixture's specifications (DO NOT EXCEED THE SPECIFIED WATTAGE RATING).
10. Installation is completed. Turn on the power at the circuit breaker or fuse box. Turn the light switch to activate the fixture.

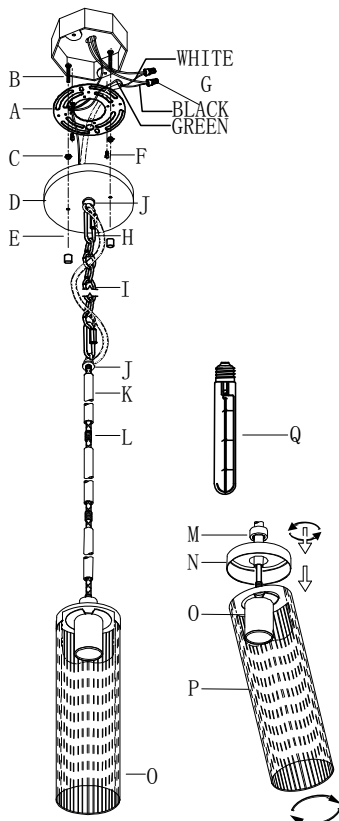
**care instructions:**

Wipe all surfaces with a soft, dry cloth. Do not use any harsh cleaners (including ammonia-based products) or abrasives on the fixture as they will damage the surface.



parts enclosed:

ITEM	DIAGRAM	DESCRIPTION	QTY
(A)		Round Mounting Plate & Green Ground Screw	1
(B)		Screws	2
(C)		Hex Nut	2
(D)		Canopy	1
(E)		Cylinder Nut	2
(F)		Mounting Screw	2
(G)		Wire Connectors	3
(H)		Quick Link	2
(I)		Chain	1
(J)		Top Ring	2
(K)		Pipe	2
(L)		Threaded Nipple	2
(M)		Threaded Joint	1
(N)		Shade Cap	1
(O)		Socket	1
(P)		Glass	1
(Q)		Light Bulb (not included)	1



important safety instructions:

1. We recommend installation by a licensed electrician.
2. To avoid the risk of fire, do not exceed the recommended wattage for this fixture.

warnings:

1. Do not remove the lamp from its packaging by pulling on the power cord, as a bad connection may result.
2. To avoid the risk of fire, electrical shock, or personal injury, turn off lamp and allow it to cool prior to replacing light bulb.
3. Do not touch bulb when fixture is turned on or look directly at lit bulb.
4. Keep flammable materials away from lit bulb.

to assemble:



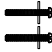






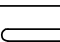
1. Carefully remove all parts from the box and remove all protective coverings.
2. Turn OFF power to the junction box where the lamp will be installed.
3. Feed the wires through Threaded Nipples (L), Pipes (K), Top rings (J), Quick links (H); the wires will come out on the backside of Canopy (D). Assemble Threaded Nipples (L), Pipes (K), Top rings (J), Quick links (H) and Canopy (D) together.
4. Insert Screws (B) into Round mounting plate (A) with Hex nuts (C).
5. Install Round mounting plate (A) to outlet box using Mounting screws (F).
6. Pull wire from ceiling outlet box, and attach ground wire (usually green or bare wire) from ceiling box to ground wire on Round mounting plate (A) with a screw.
7. Attach positive wire from ceiling (usually black or smooth) to positive wire on fixture with a Wire Connector (G) and wrap this connector with electrical tape.
8. Attach neutral wire from ceiling box (usually white or ribbed) with neutral wire on the fixture with a Wire Connector (G), and wrap this connector with electrical tape.
9. Attach Canopy (D) onto ceiling and secure tightly using Cylinder nuts (E).
10. Unscrew the Threaded joint (M) over the Shade cap (N) and move up Shade cap (N). Put the fixture socket (O) into the Shade hole (P) and screw the threaded joint (M) with the shade cap (N).
11. Screw Bulb (Q) onto the pendant.
12. Restore power to the junction box and test ceiling light fixture.

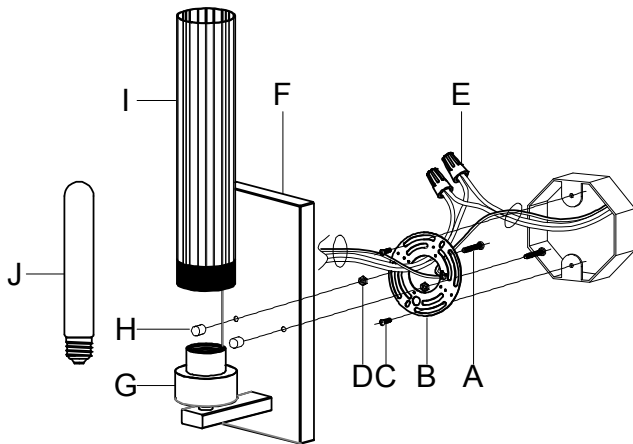
care instructions:

Do not use polishes or cleaners on your pendant.

WIPE WITH A CLEAN SOFT CLOTH

**parts enclosed:**

ITEM	DIAGRAM	DESCRIPTION	QTY
(A)		Screws	2
(B)		Round Mounting Plate & Green Ground Screw	1
(C)		Mounting Screw	2
(D)		Hex Nut	2
(E)		Wire Connectors	3
(F)		Canopy	1
(G)		Socket	1
(H)		Cylinder Nut	2
(I)		Glass	1
(J)		Light Bulb (not included)	1



**important safety instructions:**

1. We recommend installation by a licensed electrician.
2. To avoid the risk of fire, do not exceed the recommended wattage for this fixture.

**warnings:**

1. Do not remove the lamp from its packaging by pulling on the power cord, as a bad connection may result.
2. To avoid the risk of fire, electrical shock, or personal injury, turn off lamp and allow it to cool prior to replacing light bulb.
3. Do not touch bulb when fixture is turned on or look directly at lit bulb.
4. Keep flammable materials away from lit bulb.

**to assemble:**










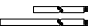



1. Carefully remove all parts from the box and remove all protective coverings.
2. Turn OFF power to the junction box where the lamp will be installed.
3. Insert Screws (A) into Round mounting plate (B) with Hex nuts (D).
4. Install Round mounting plate (B) to outlet box using Mounting screws (C).
5. Pull wire from ceiling outlet box, and attach ground wire (usually green of bare wire) from ceiling box to ground wire on Round mounting plate (B) with a screw.
6. Attach positive wire from ceiling (usually black or smooth) to positive wire on fixture with a Wire Connector (E) and wrap this connector with electrical tape.
7. Attach neutral wire from ceiling box (usually white or ribbed) with neutral wire on the fixture with a Wire Connector (E), and wrap this connector with electrical tape.
8. Attach Canopy (F) onto ceiling and secure tightly using Cylinder nuts (H).
9. Assemble Bulb (J) and screw Shade (I) onto Socket (G).
10. Restore power to the junction box and test ceiling light fixture.

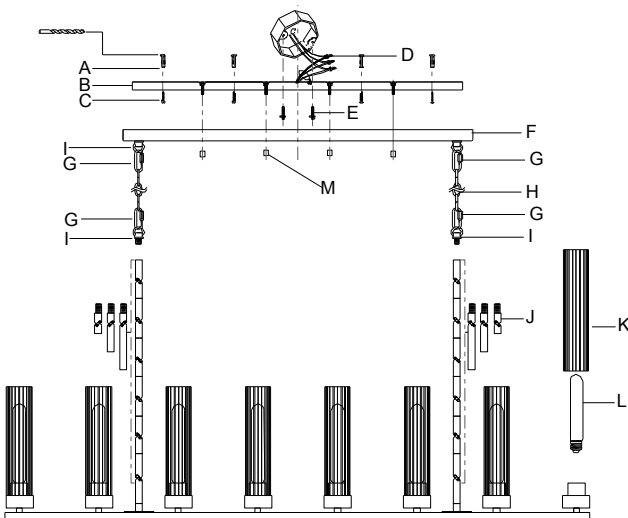
**care instructions:**

Do not use polishes or cleaners on your wall sconce.

WIPE WITH A CLEAN SOFT CLOTH

parts enclosed:

ITEM	DIAGRAM	DESCRIPTION	QTY
(A)		Anchor	4
(B)		Mounting Plate & screws & green ground screw	1
(C)		Wood screw	4
(D)		Wire Connector	3
(E)		Mounting Screw	2
(F)		Canopy (with Loops)	1
(G)		Quick Link	4
(H)		Chain	2*108"
(I)		Loop	2
(J)		Pipe with Nipple	2x6" 2x12" 2x18"
(K)		Glass Shade	8
(L)		Light Bulb (not included)	8
(M)		Cylinder Nut	4



care instructions:

Wipe all surfaces with a soft, dry cloth. Do not use any harsh cleaners (including ammonia-based products) or abrasives on the fixture as they will damage the surface.

important safety instructions:

**CONSULT A QUALIFIED ELECTRICIAN TO ENSURE CORRECT BRANCH CIRCUIT CONDUCTOR.**

1. We recommend installation by a licensed electrician.
2. To avoid the risk of fire, do not exceed the recommended 9-watt type T LED lightbulbs (60-watt incandescent type T lightbulbs equivalent) for this fixture.

warnings:

1. All wires are connected. Do not remove the fixture from packaging by pulling on the wires as a bad connection may result.
2. To avoid the risk of fire, electrical shock, or personal injury, always turn off fixture and allow it to cool prior to replacing the lightbulb.
3. Do not touch bulb when fixture is turned on or look directly at lit bulb.
4. Keep flammable materials away from lit bulb.

to assemble:

1. Carefully remove all parts from the box and remove all protective coverings. Take care not to lose any small parts.
2. Turn OFF power at the junction box where the fixture will be installed.
3. Determine desired hanging height, and determine the numbers of Pipes (J) and Chain links (H) needed for proper hanging height. While connecting them, feed the fixture wire through the Pipes (J), Loop (I), Quick Links (G), Chain (H) and Canopy (F).
4. Drill four holes into the ceiling for inserting the Anchors (A). Insert an anchor into each hole in the ceiling.
5. Attach the Mounting Plate (B) to the outlet box with the Mounting Screws (E). Insert the Wood Screws (C) through the corresponding holes on the Mounting Plate (B) into the Anchors (A), tighten the Wood Screws (C) using screwdriver.
6. While holding the fixture, connect the black wire from fixture to the hot wire (usually black or smooth) from the outlet box using a wire connector (D). Connect the white wire from fixture to the neutral wire (usually white or ribbed) from the outlet box using a wire connector (D). **DO NOT REVERSE THE HOT AND NEUTRAL WIRE CONNECTIONS; OTHERWISE, SAFETY WILL BE COMPROMISED.**
7. If the outlet box has a ground wire (green or bare copper), connect the green ground wire from the fixture to it using a wire connector (D). If the outlet box does not have a ground wire, connect the green ground wire from the fixture to the green ground screw provided on the Mounting Plate (B).
8. Tuck these wire connections neatly into the outlet box, align the four screws pre-assembled on the Mounting Plate (B) with the corresponding four holes of the Canopy (F), secure the Canopy (F) with the Cylinder Nuts (M) until the fixture is secured to the ceiling.
9. Install the proper light bulbs (L) (not included) in accordance with the fixture's specification (DO NOT EXCEED THE SPECIFIED WATTAGE RATING).
10. Install the Glass Shades (K) onto sockets.
11. Installation is completed. Turn on the power at the circuit breaker or fuse box. Turn the light switch to activate the fixture.

parts enclosed:

ITEM	DIAGRAM	DESCRIPTION	QTY
(A)		Support cable and bracket assy	1
(B)		Steel flat washer	1
(C)		Wood screw	1
(D)		Mounting Plate & Green Ground	1
(E)		Mounting Screw	2
(F)		Canopy	1
(G)		Cylinder nut	1
(H)		Wire Connector	3
(I)		Threaded Tube	1
(J)		Hex Nut	2
(K)		Quick link	4
(M)		Chain	2
(N)		Top ring	4
(O)		Pipe	4
(P)		Threaded tube	4
(Q)		Cover plate (assembled)	2
(R)		Socket (assembled)	5
(S)		Shade (black sponge assembled on the side)	5
(T)		Bulb (Not Included)	5

important safety instructions:

1. We recommend installation by a licensed electrician.
2. To avoid the risk of fire, do not exceed the recommended wattage for this fixture.

warnings:

1. Do not remove the lamp from its packaging by pulling on the power cord, as a bad connection may result.
2. To avoid the risk of fire, electrical shock, or personal injury, turn off lamp and allow it to cool prior to replacing light bulb.
3. Do not touch bulb when fixture is turned on or look directly at lit bulb.
4. Keep flammable materials away from lit bulb.

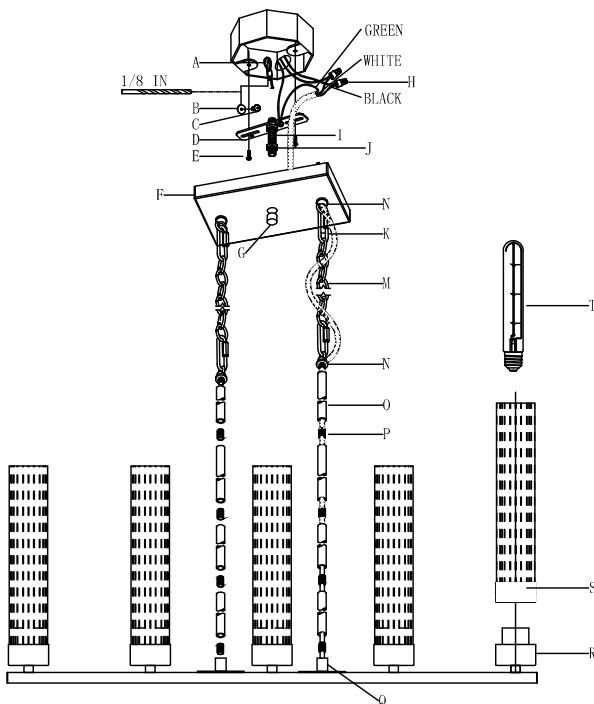
to assemble:

1. Carefully remove all parts from the box and remove all protective coverings.
2. Turn OFF power to the junction box where the lamp will be installed.
3. Feed the wires through Threaded tubes (P), Pipes (O), Chain loops (N), Quick links (K), Chains (M); the wires will come out on the backside of Canopy (F).
4. Assemble Threaded tubes (P), Pipes (O), Chain loops (N), Quick links (K), Chains (M) and Canopy (F) together on Cover plates (Q).
5. Using a 1/8 in. frill bit, drill a pilot hole for Support cable (A) inside of the junction box.
6. Assemble Wood screw (C) into Steel flat washer (B) and through the loop in Support cable (A) and install into the previously drilled pilot hole in side of the junction box.
7. Screw Threaded tube (I) and Hex nuts (J) onto the mounting plate (D).
8. Install Mounting screws (E) through Mounting plate (D) to the junction box.
9. Pull wire from ceiling outlet box, and attach ground wire (usually green of bare wire) from ceiling box to ground wire on Mounting Plate (D) with a screw.
10. Attach positive wire from ceiling (usually black or smooth) to positive wire on fixture with a Wire Connector (H) and wrap this connector with electrical tape.
11. Attach neutral wire from ceiling box (usually white or ribbed) with neutral wire on the fixture with a Wire Connector (H), and wrap this connector with electrical tape.
12. Attach Canopy (F) onto ceiling and secure tightly using Cylinder nut (G).
13. Assemble Bulbs (T) and put Shades (S) onto Sockets (R).
14. Restore power to the junction box and test ceiling light fixture.

care instructions:

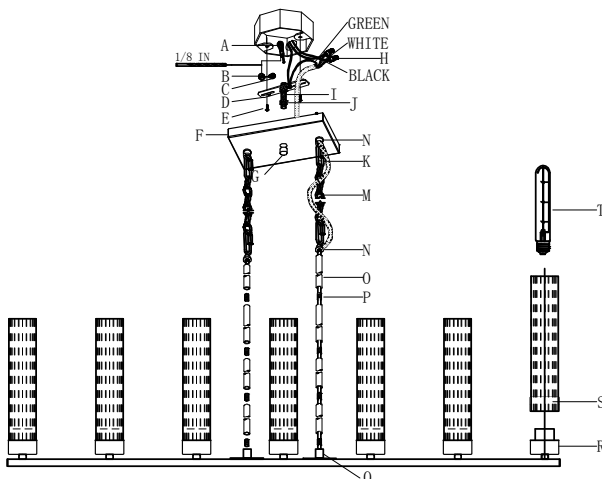
Do not use polishes or cleaners on your chandelier.

WIPE WITH A CLEAN SOFT CLOTH



**parts enclosed:**

ITEM	DIAGRAM	DESCRIPTION	QTY
(A)		Support Cable & bracket assembly	1
(B)		Steel Flat Washer	1
(C)		Wood Screw	1
(D)		Mounting Plate & Green Ground Screw	1
(E)		Mounting Screw	2
(F)		Canopy	1
(G)		Cylinder Nut	1
(H)		Wire Connectors	3
(I)		Threaded Nipple	1
(J)		Hex Nut	2
(K)		Quick Link	4
(M)		Chain	2
(N)		Top Ring	4
(O)		Pipe	6
(P)		Threaded Nipple	6
(Q)		Cover Plate (assembled)	2
(R)		Socket	7
(S)		Glass	7
(T)		Light Bulb (not included)	7



**important safety instructions:**

1. We recommend installation by a licensed electrician.
2. To avoid the risk of fire, do not exceed the recommended wattage for this fixture.

**warnings:**

1. Do not remove the lamp from its packaging by pulling on the power cord, as a bad connection may result.
2. To avoid the risk of fire, electrical shock, or personal injury, turn off lamp and allow it to cool prior to replacing light bulb.
3. Do not touch bulb when fixture is turned on or look directly at lit bulb.
4. Keep flammable materials away from lit bulb.

**to assemble:**

1. Carefully remove all parts from the box and remove all protective coverings.
2. Turn OFF power to the junction box where the lamp will be installed.
3. Feed the wires through Threaded tubes (P), Pipes (O), Top rings (N), Quick links (K), Chains (M); the wires will come out on the backside of Canopy (F).
4. Assemble Threaded tubes (P), Pipes (O), Top rings (N), Quick links (K), Chains (M) and Canopy (F) together on Cover plates (Q).
5. Using a 1/8 in. frill bit, drill a pilot hole for Support cable (A) inside of the junction box.
6. Assemble Wood screw (C) into Steel flat washer (B) and through the loop in Support cable (A) and install into the previously drilled pilot hole in side of the junction box.
7. Screw Threaded tube (I) and Hex nuts (J) onto the mounting plate (D).
8. Install Mounting screws (E) through Mounting plate (D) to the junction box.
9. Pull wire from ceiling outlet box, and attach ground wire (usually green or bare wire) from ceiling box to ground wire on Mounting Plate (D) with a screw.
10. Attach positive wire from ceiling (usually black or smooth) to positive wire on fixture with a Wire Connector (H) and wrap this connector with electrical tape.
11. Attach neutral wire from ceiling box (usually white or ribbed) with neutral wire on the fixture with a Wire Connector (H), and wrap this connector with electrical tape.
12. Attach Canopy (F) onto ceiling and secure tightly using Cylinder nut (G).
13. Assemble Bulbs (T) and put Shades (S) onto Sockets (R).
14. Restore power to the junction box and test ceiling light fixture.

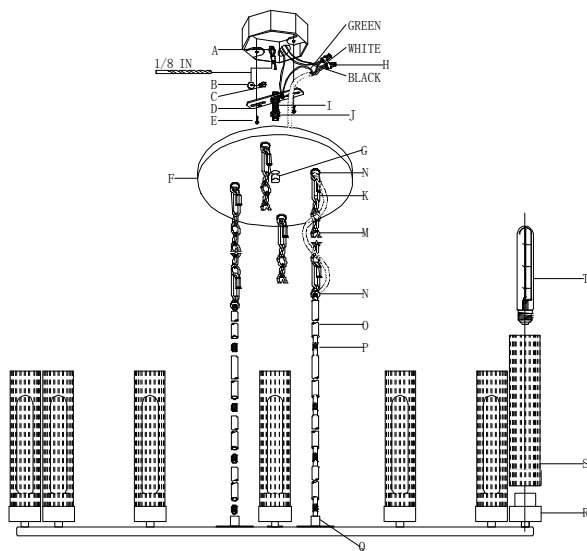
**care instructions:**

Do not use polishes or cleaners on your chandelier.

WIPE WITH A CLEAN SOFT CLOTH

**parts enclosed:**

ITEM	DIAGRAM	DESCRIPTION	QTY
(A)		Support cable and bracket assy	1
(B)		Steel flat washer	1
(C)		Wood screw	1
(D)		Mounting Plate & Green Ground	1
(E)		Mounting Screw	2
(F)		Canopy	1
(G)		Cylinder nut	1
(H)		Wire Connector	3
(I)		Threaded Tube	1
(J)		Hex Nut	2
(K)		Quick link	8
(M)		Chain	4
(N)		Top ring	8
(O)		Pipe	8
(P)		Threaded tube	8
(Q)		Cover plate (assembled)	4
(R)		Socket	10
(S)		Shade (rubber ring assembled on the side)	10
(T)		Bulb (Not Included)	10



**important safety instructions:**

1. We recommend installation by a licensed electrician.
2. To avoid the risk of fire, do not exceed the recommended wattage for this fixture.

**warnings:**

1. Do not remove the lamp from its packaging by pulling on the power cord, as a bad connection may result.
2. To avoid the risk of fire, electrical shock, or personal injury, turn off lamp and allow it to cool prior to replacing light bulb.
3. Do not touch bulb when fixture is turned on or look directly at lit bulb.
4. Keep flammable materials away from lit bulb.

**to assemble:**

1. Carefully remove all parts from the box and remove all protective coverings.
2. Turn OFF power to the junction box where the lamp will be installed.
3. Feed the wires through Threaded tubes (P), Pipes (O), Top rings (N), Quick links (K), Chains (M); the wires will come out on the backside of Canopy (F).
4. Assemble Pipes (O), Top rings (N), Quick links (K), Chains (M) and Canopy (F) together on Cover plates (Q).
5. Using a 1/8 in. drill bit, drill a pilot hole for Support cable (A) inside of the junction box.
6. Assemble Wood screw (C) into Steel flat washer (B) and through the loop in Support cable (A) and install into the previously drilled pilot hole in side of the junction box.
7. Screw Threaded tube (I) and Hex nuts (J) onto the mounting plate (D).
8. Install Mounting screws (E) through Mounting plate (D) to the junction box.
9. Pull wire from ceiling outlet box, and attach ground wire (usually green or bare wire) from ceiling box to ground wire on Mounting Plate (D) with a screw.
10. Attach positive wire from ceiling (usually black or smooth) to positive wire on fixture with a Wire Connector (H) and wrap this connector with electrical tape.
11. Attach neutral wire from ceiling box (usually white or ribbed) with neutral wire on the fixture with a Wire Connector (H), and wrap this connector with electrical tape.
12. Attach Canopy (F) onto ceiling and secure tightly using Cylinder nut (G).
13. Assemble Bulbs (T) and put Shades onto Sockets (R).
14. Restore power to the junction box and test ceiling light fixture.

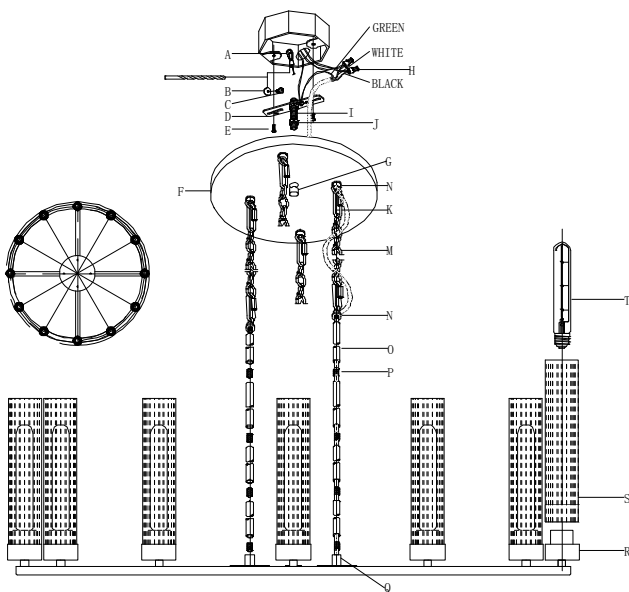
**care instructions:**

Do not use polishes or cleaners on your chandelier.

WIPE WITH A CLEAN SOFT CLOTH

parts enclosed:

ITEM	DIAGRAM	DESCRIPTION	QTY
(A)		Support Cable & bracket assembly	1
(B)		Steel Flat Washer	1
(C)		Wood Screw	1
(D)		Mounting Plate & Green Ground Screw	1
(E)		Mounting Screw	2
(F)		Canopy	1
(G)		Cylinder Nut	1
(H)		Wire Connectors	3
(I)		Threaded Nipple	1
(J)		Hex Nut	2
(K)		Quick Link	8
(M)		Chain	4
(N)		Top Ring	8
(O)		Pipe	8
(P)		Threaded Nipple	8
(Q)		Cover Plate (assembled)	4
(R)		Socket	12
(S)		Glass	12
(T)		Light Bulb (not included)	12



important safety instructions:

1. We recommend installation by a licensed electrician.
2. To avoid the risk of fire, do not exceed the recommended wattage for this fixture.

warnings:

1. Do not remove the lamp from its packaging by pulling on the power cord, as a bad connection may result.
2. To avoid the risk of fire, electrical shock, or personal injury, turn off lamp and allow it to cool prior to replacing light bulb.
3. Do not touch bulb when fixture is turned on or look directly at lit bulb.
4. Keep flammable materials away from lit bulb.

to assemble:

1. Carefully remove all parts from the box and remove all protective coverings.
2. Turn OFF power to the junction box where the lamp will be installed.
3. Pull the wires through Threaded Nipples (P), Pipes (O), Top rings (N), Quick links (K), Chains (M) and Canopy (F).
4. Assemble Pipes (O), Top rings (N), Quick links (K), Chains (M) and Canopy (F) together on Cover plates (Q).
5. Using a 1/8 in. frill bit, drill a pilot hole for Support cable (A) inside of the junction box.
6. Assemble Wood screw (C) into Steel flat washer (B) through the loop in Support cable (A) and install into the previously drilled pilot hole in side of the junction box.
7. Screw Threaded Nipple (I) and Hex nuts (J) onto the mounting plate (D).
8. Install Mounting screws (E) through Mounting plate (D) to the junction box.
9. Pull wire from ceiling outlet box, and attach ground wire (usually green or bare wire) from ceiling box to ground wire on Mounting Plate (D) with a screw.
10. Attach positive wire from ceiling (usually black or smooth) to positive wire on fixture with a Wire Connector (H) and wrap this connector with electrical tape.
11. Attach neutral wire from ceiling box (usually white or ribbed) with neutral wire on the fixture with a Wire Connector (H), and wrap this connector with electrical tape.
12. Attach Canopy (F) onto ceiling and secure tightly using Cylinder nut (G).
13. Assemble Bulbs (T) and put Shades onto Sockets (R).
14. Restore power to the junction box and test ceiling light fixture.

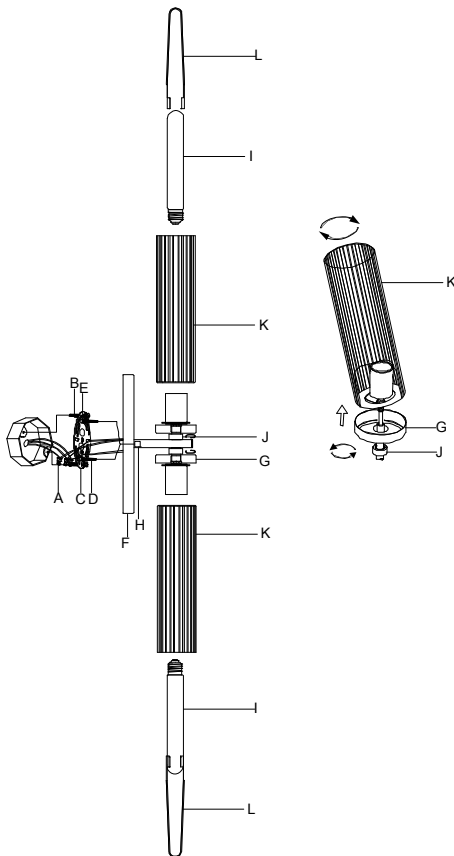
care instructions:

Do not use polishes or cleaners on your chandelier.

WIPE WITH A CLEAN SOFT CLOTH.

**parts enclosed:**

ITEM	DIAGRAM	DESCRIPTION	QTY
(A)		Wire Connectors	3
(B)		Mounting Screw	2
(C)		Mounting Plate & green ground screw	1
(D)		Backplate Screw	2
(E)		Hex Nut	2
(F)		Backplate	1
(G)		Shade Cap	2
(H)		Cylinder Nut	2
(I)		Light Bulb (not included)	2
(J)		Threaded Joint	2
(K)		Glass Shade	2
(L)		Clamp	1



**important safety instructions:**

**CONSULT A QUALIFIED ELECTRICIAN TO ENSURE CORRECT BRANCH CIRCUIT CONDUCTOR.**

1. We recommend installation by a licensed electrician.
2. To avoid the risk of fire, do not exceed the recommended wattage of two 5-watt Type T LED lightbulb (60-watt incandescent bulb equivalent) for this fixture.

**warnings:**

1. All wires are connected. Do not remove the fixture from packaging by pulling on the wires as a bad connection may result.
2. To avoid the risk of fire, electrical shock, or personal injury, always turn off fixture and allow it to cool prior to replacing the lightbulb.
3. Do not touch bulb when fixture is turned on or look directly at lit bulb.
4. Keep flammable materials away from lit bulb.

**to assemble:**












1. Carefully remove all parts from the box and remove all protective coverings. Take care not to lose any small parts.
2. Turn OFF power at the outlet box where the lamp will be installed.
3. Insert the Backplate Screws (D) into the Mounting Plate (C) and tighten with the Hex Nuts (E) provided on the Backplate Screws (D).
4. Attach the Mounting Plate (C) to outlet box using the Mounting Screws (B), tighten with a screwdriver. Ensure the side of the Mounting Plate (C) marked "GND" is facing out.
5. While holding the fixture, connect the black wire from fixture to the hot wire (usually black or smooth) from the outlet box using a wire connector (A). Connect the white wire from fixture to the neutral wire (usually white or ribbed) from the outlet box using a wire connector (A). DO NOT REVERSE THE HOT AND NEUTRAL WIRE CONNECTIONS; OTHERWISE, SAFETY WILL BE COMPROMISED.
6. If the outlet box has a ground wire (green or bare copper), connect the green ground wire from the fixture to it using a wire connector (A). If the outlet box does not have a ground wire, connect the green ground wire from the fixture to the green ground screw provided on the Mounting Plate (C).
7. Tuck these wire connections neatly into the outlet box, place the Backplate (F) over the Mounting Plate (C) and align the two holes on the Backplate (F) with the Backplate Screws (D), secure the Backplate (F) with the Cylinder Nuts (H) until the fixture is secured to the wall.
8. Loose the Shade Caps (G) by unscrewing the Threaded Joints (J), put the sockets into the Glass Shades (K) according to the diagram and secure the Shade Caps (G) in place by screwing the Threaded Joints (J).
9. Install the proper light bulb (I) (not included) in accordance with the fixture's specifications (DO NOT EXCEED THE SPECIFIED WATTAGE RATING) by using the Clamp (L).
10. Installation is completed. Turn on the power at the circuit breaker or fuse box. Turn the light switch to activate the fixture.

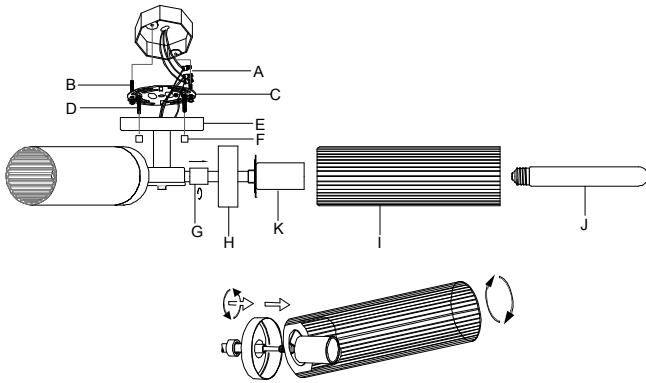
**care instructions:**

Wipe all surfaces with a soft, dry cloth. Do not use any harsh cleaners (including ammonia-based products) or abrasives on the fixture as they will damage the surface.



**parts enclosed:**

ITEM	DIAGRAM	DESCRIPTION	QTY
(A)		Wire Connectors	3
(B)		Mounting Screw	2
(C)		Mounting Plate & green ground screw	1
(D)		Canopy Screw	2
(E)		Canopy	1
(F)		Cylinder Nut	2
(G)		Threaded Joint	3
(H)		Shade Cap	3
(I)		Glass Shade	3
(J)		Light Bulb (not included)	3
(K)		Socket	3



**important safety instructions:**

**CONSULT A QUALIFIED ELECTRICIAN TO ENSURE CORRECT BRANCH CIRCUIT CONDUCTOR.**

1. We recommend installation by a licensed electrician.
2. To avoid the risk of fire, do not exceed the recommended wattage of three 5-watt Type T9 LED lightbulb (60-watt incandescent bulb equivalent) for this fixture.

**warnings:**

1. All wires are connected. Do not remove the fixture from packaging by pulling on the wires as a bad connection may result.
2. To avoid the risk of fire, electrical shock, or personal injury, always turn off fixture and allow it to cool prior to replacing the lightbulb.
3. Do not touch bulb when fixture is turned on or look directly at lit bulb.
4. Keep flammable materials away from lit bulb.

**to assemble:**

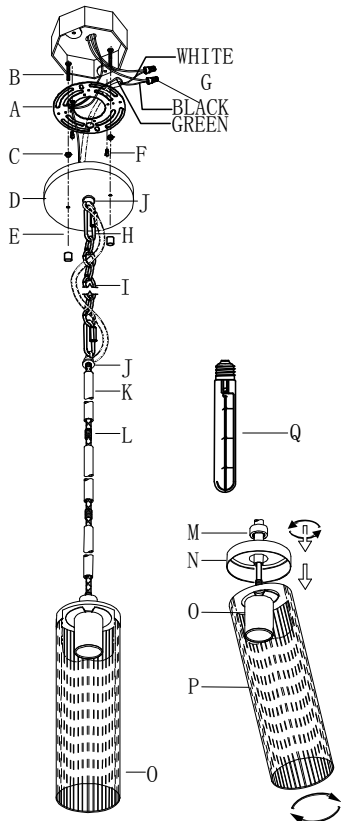
1. Carefully remove all parts from the box and remove all protective coverings. Take care not to lose any small parts.
2. Turn OFF power at the outlet box where the fixture will be installed.
3. Insert the Canopy Screws (D) into the Mounting Plate (C) and tighten with the Hex Nuts provided on the Canopy Screw (D).
4. Attach the Mounting Plate (C) to outlet box using the Mounting Screws (B), tighten with a screwdriver. Ensure the side of the Mounting Plate (C) marked "GND" is facing out.
5. Loose the Shade Caps (H) by unscrewing the Threaded Joints (G), put the fixture Sockets (K) into the Glass Shades (I) and secure the Shade Caps (H) in place by screwing the Threaded Joints (G).
6. While holding the fixture, connect the black wire from fixture to the hot wire (usually black or smooth) from the outlet box using a wire connector (A). Connect the white wire from fixture to the neutral wire (usually white or ribbed) from the outlet box using a wire connector (A). **DO NOT REVERSE THE HOT AND NEUTRAL WIRE CONNECTIONS; OTHERWISE, SAFETY WILL BE COMPROMISED.**
7. If the outlet box has a ground wire (green or bare copper), connect the green ground wire from the fixture to it using a wire connector (A). If the outlet box does not have a ground wire, connect the green ground wire from the fixture to the green ground screw provided on the Mounting Plate (C).
8. Tuck these wire connections neatly into the outlet box, place the Canopy (E) over the Mounting Plate (C) and align the two holes on the Canopy (E) with the Canopy Screws (D), secure the Canopy (E) with the Cylinder Nuts (F) until the fixture is secured to the ceiling.
9. Install the proper light bulb (not included) in accordance with the fixture's specifications (**DO NOT EXCEED THE SPECIFIED WATTAGE RATING**).
10. Installation is completed. Turn on the power at the circuit breaker or fuse box. Turn the light switch to activate the fixture.

**care instructions:**

Wipe all surfaces with a soft, dry cloth. Do not use any harsh cleaners (including ammonia-based products) or abrasives on the fixture as they will damage the surface.

parts enclosed:

ITEM	DIAGRAM	DESCRIPTION	QTY
(A)		Round Mounting Plate & Green Ground Screw	1
(B)		Screws	2
(C)		Hex Nut	2
(D)		Canopy	1
(E)		Cylinder Nut	2
(F)		Mounting Screw	2
(G)		Wire Connectors	3
(H)		Quick Link	2
(I)		Chain	1
(J)		Top Ring	2
(K)		Pipe	2
(L)		Threaded Nipple	2
(M)		Threaded Joint	1
(N)		Shade Cap	1
(O)		Socket	1
(P)		Glass	1
(Q)		Light Bulb (not included)	1



important safety instructions:

1. We recommend installation by a licensed electrician.
2. To avoid the risk of fire, do not exceed the recommended wattage for this fixture.

warnings:

1. Do not remove the lamp from its packaging by pulling on the power cord, as a bad connection may result.
2. To avoid the risk of fire, electrical shock, or personal injury, turn off lamp and allow it to cool prior to replacing light bulb.
3. Do not touch bulb when fixture is turned on or look directly at lit bulb.
4. Keep flammable materials away from lit bulb.

to assemble:



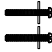



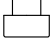


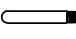
1. Carefully remove all parts from the box and remove all protective coverings.
2. Turn OFF power to the junction box where the lamp will be installed.
3. Feed the wires through Threaded Nipples (L), Pipes (K), Top rings (J), Quick links (H); the wires will come out on the backside of Canopy (D). Assemble Threaded Nipples (L), Pipes (K), Top rings (J), Quick links (H) and Canopy (D) together.
4. Insert Screws (B) into Round mounting plate (A) with Hex nuts (C).
5. Install Round mounting plate (A) to outlet box using Mounting screws (F).
6. Pull wire from ceiling outlet box, and attach ground wire (usually green or bare wire) from ceiling box to ground wire on Round mounting plate (A) with a screw.
7. Attach positive wire from ceiling (usually black or smooth) to positive wire on fixture with a Wire Connector (G) and wrap this connector with electrical tape.
8. Attach neutral wire from ceiling box (usually white or ribbed) with neutral wire on the fixture with a Wire Connector (G), and wrap this connector with electrical tape.
9. Attach Canopy (D) onto ceiling and secure tightly using Cylinder nuts (E).
10. Unscrew the Threaded joint (M) over the Shade cap (N) and move up Shade cap (N). Put the fixture socket (O) into the Shade hole (P) and screw the threaded joint (M) with the shade cap (N).
11. Screw Bulb (Q) onto the pendant.
12. Restore power to the junction box and test ceiling light fixture.

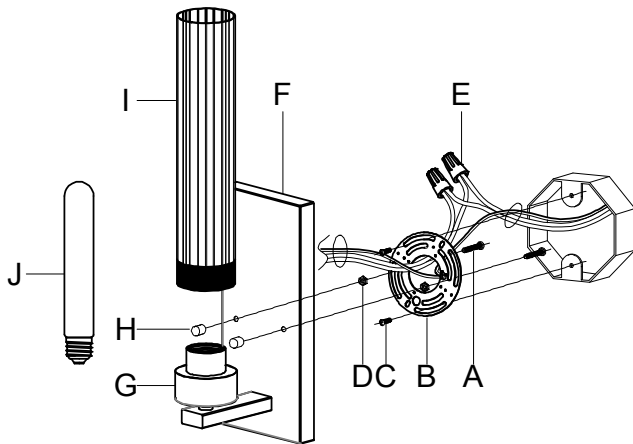
care instructions:

Do not use polishes or cleaners on your pendant.

WIPE WITH A CLEAN SOFT CLOTH

**parts enclosed:**

ITEM	DIAGRAM	DESCRIPTION	QTY
(A)		Screws	2
(B)		Round Mounting Plate & Green Ground Screw	1
(C)		Mounting Screw	2
(D)		Hex Nut	2
(E)		Wire Connectors	3
(F)		Canopy	1
(G)		Socket	1
(H)		Cylinder Nut	2
(I)		Glass	1
(J)		Light Bulb (not included)	1



**important safety instructions:**

1. We recommend installation by a licensed electrician.
2. To avoid the risk of fire, do not exceed the recommended wattage for this fixture.

**warnings:**

1. Do not remove the lamp from its packaging by pulling on the power cord, as a bad connection may result.
2. To avoid the risk of fire, electrical shock, or personal injury, turn off lamp and allow it to cool prior to replacing light bulb.
3. Do not touch bulb when fixture is turned on or look directly at lit bulb.
4. Keep flammable materials away from lit bulb.

**to assemble:**

1. Carefully remove all parts from the box and remove all protective coverings.
2. Turn OFF power to the junction box where the lamp will be installed.
3. Insert Screws (A) into Round mounting plate (B) with Hex nuts (D).
4. Install Round mounting plate (B) to outlet box using Mounting screws (C).
5. Pull wire from ceiling outlet box, and attach ground wire (usually green of bare wire) from ceiling box to ground wire on Round mounting plate (B) with a screw.
6. Attach positive wire from ceiling (usually black or smooth) to positive wire on fixture with a Wire Connector (E) and wrap this connector with electrical tape.
7. Attach neutral wire from ceiling box (usually white or ribbed) with neutral wire on the fixture with a Wire Connector (E), and wrap this connector with electrical tape.
8. Attach Canopy (F) onto ceiling and secure tightly using Cylinder nuts (H).
9. Assemble Bulb (J) and screw Shade (I) onto Socket (G).
10. Restore power to the junction box and test ceiling light fixture.

**care instructions:**

Do not use polishes or cleaners on your wall sconce.

WIPE WITH A CLEAN SOFT CLOTH

parts enclosed:

ITEM	DIAGRAM	DESCRIPTION	QTY
(A)		Support cable and bracket assy	1
(B)		Steel flat washer	1
(C)		Wood screw	1
(D)		Mounting Plate & Green Ground	1
(E)		Mounting Screw	2
(F)		Canopy	1
(G)		Cylinder nut	1
(H)		Wire Connector	3
(I)		Threaded Tube	1
(J)		Hex Nut	2
(K)		Quick link	4
(M)		Chain	2
(N)		Top ring	4
(O)		Pipe	4
(P)		Threaded tube	4
(Q)		Cover plate (assembled)	2
(R)		Socket (assembled)	5
(S)		Shade (black sponge assembled on the side)	5
(T)		Bulb (Not Included)	5

important safety instructions:

1. We recommend installation by a licensed electrician.
2. To avoid the risk of fire, do not exceed the recommended wattage for this fixture.

warnings:

1. Do not remove the lamp from its packaging by pulling on the power cord, as a bad connection may result.
2. To avoid the risk of fire, electrical shock, or personal injury, turn off lamp and allow it to cool prior to replacing light bulb.
3. Do not touch bulb when fixture is turned on or look directly at lit bulb.
4. Keep flammable materials away from lit bulb.

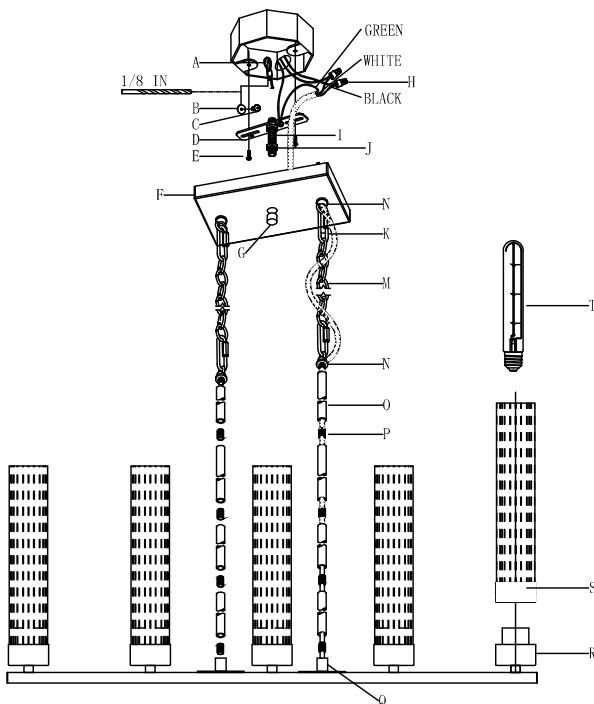
to assemble:

1. Carefully remove all parts from the box and remove all protective coverings.
2. Turn OFF power to the junction box where the lamp will be installed.
3. Feed the wires through Threaded tubes (P), Pipes (O), Chain loops (N), Quick links (K), Chains (M); the wires will come out on the backside of Canopy (F).
4. Assemble Threaded tubes (P), Pipes (O), Chain loops (N), Quick links (K), Chains (M) and Canopy (F) together on Cover plates (Q).
5. Using a 1/8 in. frill bit, drill a pilot hole for Support cable (A) inside of the junction box.
6. Assemble Wood screw (C) into Steel flat washer (B) and through the loop in Support cable (A) and install into the previously drilled pilot hole in side of the junction box.
7. Screw Threaded tube (I) and Hex nuts (J) onto the mounting plate (D).
8. Install Mounting screws (E) through Mounting plate (D) to the junction box.
9. Pull wire from ceiling outlet box, and attach ground wire (usually green of bare wire) from ceiling box to ground wire on Mounting Plate (D) with a screw.
10. Attach positive wire from ceiling (usually black or smooth) to positive wire on fixture with a Wire Connector (H) and wrap this connector with electrical tape.
11. Attach neutral wire from ceiling box (usually white or ribbed) with neutral wire on the fixture with a Wire Connector (H), and wrap this connector with electrical tape.
12. Attach Canopy (F) onto ceiling and secure tightly using Cylinder nut (G).
13. Assemble Bulbs (T) and put Shades (S) onto Sockets (R).
14. Restore power to the junction box and test ceiling light fixture.

care instructions:

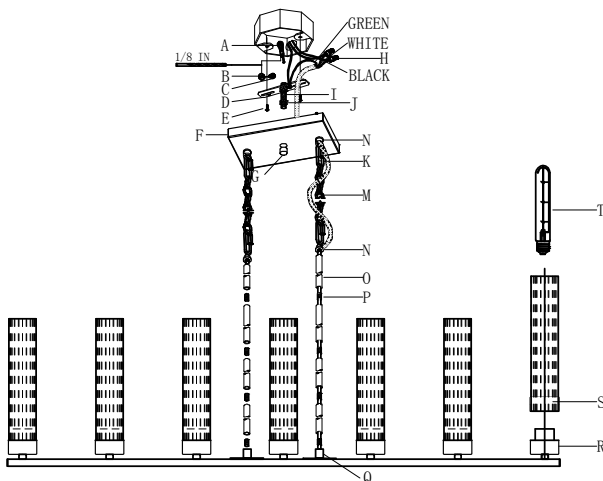
Do not use polishes or cleaners on your chandelier.

WIPE WITH A CLEAN SOFT CLOTH



**parts enclosed:**

ITEM	DIAGRAM	DESCRIPTION	QTY
(A)		Support Cable & bracket assembly	1
(B)		Steel Flat Washer	1
(C)		Wood Screw	1
(D)		Mounting Plate & Green Ground Screw	1
(E)		Mounting Screw	2
(F)		Canopy	1
(G)		Cylinder Nut	1
(H)		Wire Connectors	3
(I)		Threaded Nipple	1
(J)		Hex Nut	2
(K)		Quick Link	4
(M)		Chain	2
(N)		Top Ring	4
(O)		Pipe	6
(P)		Threaded Nipple	6
(Q)		Cover Plate (assembled)	2
(R)		Socket	7
(S)		Glass	7
(T)		Light Bulb (not included)	7



**important safety instructions:**

1. We recommend installation by a licensed electrician.
2. To avoid the risk of fire, do not exceed the recommended wattage for this fixture.

**warnings:**

1. Do not remove the lamp from its packaging by pulling on the power cord, as a bad connection may result.
2. To avoid the risk of fire, electrical shock, or personal injury, turn off lamp and allow it to cool prior to replacing light bulb.
3. Do not touch bulb when fixture is turned on or look directly at lit bulb.
4. Keep flammable materials away from lit bulb.

**to assemble:**

1. Carefully remove all parts from the box and remove all protective coverings.
2. Turn OFF power to the junction box where the lamp will be installed.
3. Feed the wires through Threaded tubes (P), Pipes (O), Top rings (N), Quick links (K), Chains (M); the wires will come out on the backside of Canopy (F).
4. Assemble Threaded tubes (P), Pipes (O), Top rings (N), Quick links (K), Chains (M) and Canopy (F) together on Cover plates (Q).
5. Using a 1/8 in. frill bit, drill a pilot hole for Support cable (A) inside of the junction box.
6. Assemble Wood screw (C) into Steel flat washer (B) and through the loop in Support cable (A) and install into the previously drilled pilot hole in side of the junction box.
7. Screw Threaded tube (I) and Hex nuts (J) onto the mounting plate (D).
8. Install Mounting screws (E) through Mounting plate (D) to the junction box.
9. Pull wire from ceiling outlet box, and attach ground wire (usually green or bare wire) from ceiling box to ground wire on Mounting Plate (D) with a screw.
10. Attach positive wire from ceiling (usually black or smooth) to positive wire on fixture with a Wire Connector (H) and wrap this connector with electrical tape.
11. Attach neutral wire from ceiling box (usually white or ribbed) with neutral wire on the fixture with a Wire Connector (H), and wrap this connector with electrical tape.
12. Attach Canopy (F) onto ceiling and secure tightly using Cylinder nut (G).
13. Assemble Bulbs (T) and put Shades (S) onto Sockets (R).
14. Restore power to the junction box and test ceiling light fixture.

**care instructions:**

Do not use polishes or cleaners on your chandelier.

WIPE WITH A CLEAN SOFT CLOTH

parts enclosed:

ITEM	DIAGRAM	DESCRIPTION	QTY
(A)		Support cable and bracket assy	1
(B)		Steel flat washer	1
(C)		Wood screw	1
(D)		Mounting Plate & Green Ground	1
(E)		Mounting Screw	2
(F)		Canopy	1
(G)		Cylinder nut	1
(H)		Wire Connector	3
(I)		Threaded Tube	1
(J)		Hex Nut	2
(K)		Quick link	4
(M)		Chain	2
(N)		Top ring	4
(O)		Pipe	4
(P)		Threaded tube	4
(Q)		Cover plate (assembled)	2
(R)		Socket (assembled)	5
(S)		Shade (black sponge assembled on the side)	5
(T)		Bulb (Not Included)	5

important safety instructions:

1. We recommend installation by a licensed electrician.
2. To avoid the risk of fire, do not exceed the recommended wattage for this fixture.

warnings:

1. Do not remove the lamp from its packaging by pulling on the power cord, as a bad connection may result.
2. To avoid the risk of fire, electrical shock, or personal injury, turn off lamp and allow it to cool prior to replacing light bulb.
3. Do not touch bulb when fixture is turned on or look directly at lit bulb.
4. Keep flammable materials away from lit bulb.

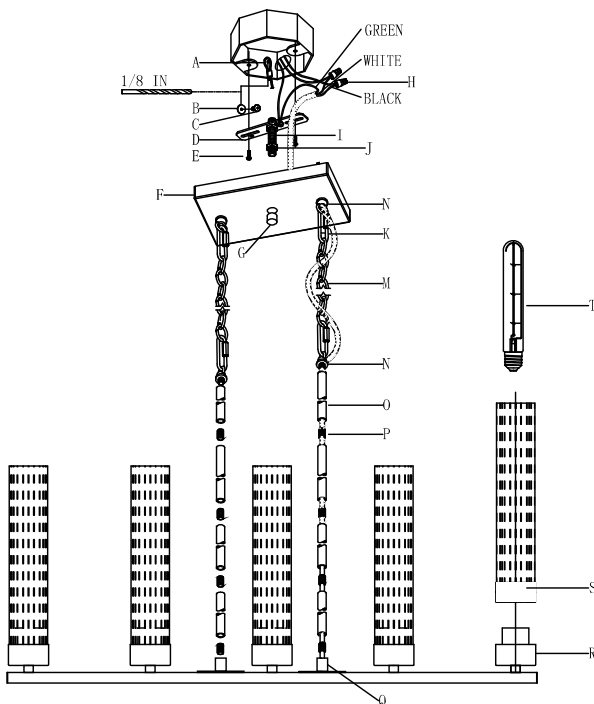
to assemble:

1. Carefully remove all parts from the box and remove all protective coverings.
2. Turn OFF power to the junction box where the lamp will be installed.
3. Feed the wires through Threaded tubes (P), Pipes (O), Chain loops (N), Quick links (K), Chains (M); the wires will come out on the backside of Canopy (F).
4. Assemble Threaded tubes (P), Pipes (O), Chain loops (N), Quick links (K), Chains (M) and Canopy (F) together on Cover plates (Q).
5. Using a 1/8 in. frill bit, drill a pilot hole for Support cable (A) inside of the junction box.
6. Assemble Wood screw (C) into Steel flat washer (B) and through the loop in Support cable (A) and install into the previously drilled pilot hole in side of the junction box.
7. Screw Threaded tube (I) and Hex nuts (J) onto the mounting plate (D).
8. Install Mounting screws (E) through Mounting plate (D) to the junction box.
9. Pull wire from ceiling outlet box, and attach ground wire (usually green of bare wire) from ceiling box to ground wire on Mounting Plate (D) with a screw.
10. Attach positive wire from ceiling (usually black or smooth) to positive wire on fixture with a Wire Connector (H) and wrap this connector with electrical tape.
11. Attach neutral wire from ceiling box (usually white or ribbed) with neutral wire on the fixture with a Wire Connector (H), and wrap this connector with electrical tape.
12. Attach Canopy (F) onto ceiling and secure tightly using Cylinder nut (G).
13. Assemble Bulbs (T) and put Shades (S) onto Sockets (R).
14. Restore power to the junction box and test ceiling light fixture.

care instructions:

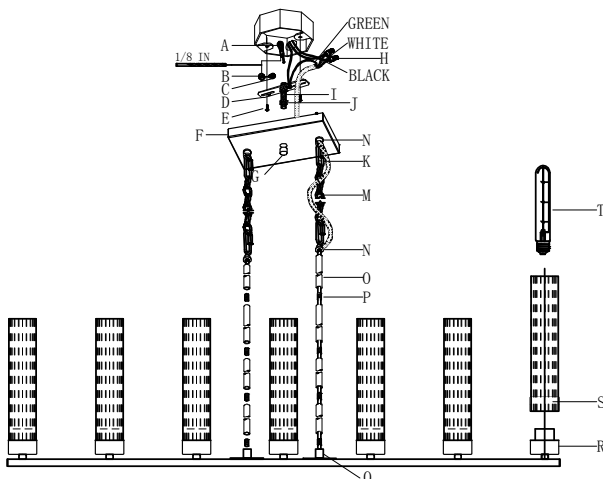
Do not use polishes or cleaners on your chandelier.

WIPE WITH A CLEAN SOFT CLOTH



**parts enclosed:**

ITEM	DIAGRAM	DESCRIPTION	QTY
(A)		Support Cable & bracket assembly	1
(B)		Steel Flat Washer	1
(C)		Wood Screw	1
(D)		Mounting Plate & Green Ground Screw	1
(E)		Mounting Screw	2
(F)		Canopy	1
(G)		Cylinder Nut	1
(H)		Wire Connectors	3
(I)		Threaded Nipple	1
(J)		Hex Nut	2
(K)		Quick Link	4
(M)		Chain	2
(N)		Top Ring	4
(O)		Pipe	6
(P)		Threaded Nipple	6
(Q)		Cover Plate (assembled)	2
(R)		Socket	7
(S)		Glass	7
(T)		Light Bulb (not included)	7



**important safety instructions:**

1. We recommend installation by a licensed electrician.
2. To avoid the risk of fire, do not exceed the recommended wattage for this fixture.

**warnings:**

1. Do not remove the lamp from its packaging by pulling on the power cord, as a bad connection may result.
2. To avoid the risk of fire, electrical shock, or personal injury, turn off lamp and allow it to cool prior to replacing light bulb.
3. Do not touch bulb when fixture is turned on or look directly at lit bulb.
4. Keep flammable materials away from lit bulb.

**to assemble:**

1. Carefully remove all parts from the box and remove all protective coverings.
2. Turn OFF power to the junction box where the lamp will be installed.
3. Feed the wires through Threaded tubes (P), Pipes (O), Top rings (N), Quick links (K), Chains (M); the wires will come out on the backside of Canopy (F).
4. Assemble Threaded tubes (P), Pipes (O), Top rings (N), Quick links (K), Chains (M) and Canopy (F) together on Cover plates (Q).
5. Using a 1/8 in. frill bit, drill a pilot hole for Support cable (A) inside of the junction box.
6. Assemble Wood screw (C) into Steel flat washer (B) and through the loop in Support cable (A) and install into the previously drilled pilot hole in side of the junction box.
7. Screw Threaded tube (I) and Hex nuts (J) onto the mounting plate (D).
8. Install Mounting screws (E) through Mounting plate (D) to the junction box.
9. Pull wire from ceiling outlet box, and attach ground wire (usually green or bare wire) from ceiling box to ground wire on Mounting Plate (D) with a screw.
10. Attach positive wire from ceiling (usually black or smooth) to positive wire on fixture with a Wire Connector (H) and wrap this connector with electrical tape.
11. Attach neutral wire from ceiling box (usually white or ribbed) with neutral wire on the fixture with a Wire Connector (H), and wrap this connector with electrical tape.
12. Attach Canopy (F) onto ceiling and secure tightly using Cylinder nut (G).
13. Assemble Bulbs (T) and put Shades (S) onto Sockets (R).
14. Restore power to the junction box and test ceiling light fixture.

**care instructions:**

Do not use polishes or cleaners on your chandelier.

WIPE WITH A CLEAN SOFT CLOTH

## parts enclosed:

A	Wire Connector	3
B	Mounting Bracket	1
C	Mounting Screw	2
D	Ground Screw	1
E	Canopy	1
F	Hex Nut	2
G	Nipple	1
H	Lock Washer	1
I	Screw Collar Loop	1
J	Threaded Ring	1
K	Chain	1
L	Fixture Loop	1
M	Ball Nut	3
N	Pendant Body	1
O	Screw	3
P	Glass Shade	1
Q	Quick Link	1

## cautions:

**BEFORE INSTALLING CHANDELIER, MAKE SURE THE POWER TO THE CIRCUIT IS TURNED OFF AT THE MAIN FUSE BOX / CIRCUIT BREAKER UTILITY BOX.**

## important safety instructions:

1. WE RECOMMEND INSTALLATION BY A LICENSED ELECTRICIAN.
2. To avoid the risk of fire, do not exceed the recommended wattage for this fixture.
3. This fixture is meant for indoor use, DRY LOCATIONS ONLY.
4. Do not use the electric cord to support the weight of the chandelier.
5. These instructions are provided for your safety. It is important that they are read carefully and completely before beginning the installation of this lighting fixture.
6. For your safety, it is strongly recommended that two people install the lighting fixture.
7. THIS PRODUCT MUST BE INSTALLED IN ACCORDANCE WITH THE APPLICABLE INSTALLATION CODES BY A PERSON FAMILIAR WITH THE CONSTRUCTION AND OPERATION OF THE PRODUCT AND THE HAZARDS INVOLVED.
8. Save these instructions.

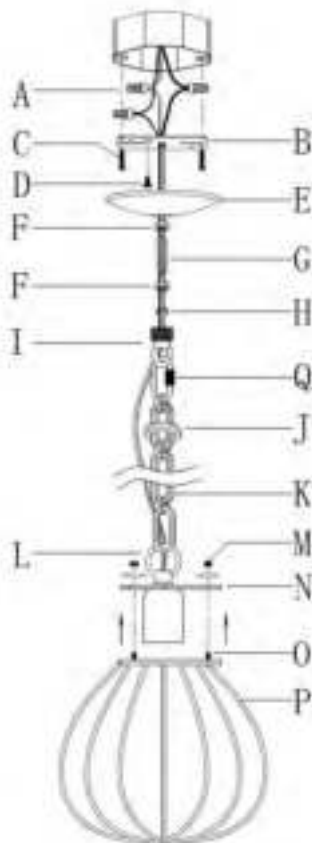
## warnings:

1. To reduce the risk of fire, electrical shock or personal injury, always turn off the chandelier and allow it to cool prior to replacing light bulbs.
2. Do not touch the bulbs when the chandelier is turned on. Do not look directly at lit bulbs.
3. Keep flammable materials away from lit bulbs.

## to assemble:

Remove all parts and hardware from box along with any plastic protective packaging. Do not discard any contents until after assembly is complete to avoid accidentally discarding small parts or hardware.

1. **SHUT OFF THE MAIN ELECTRICAL SUPPLY FROM THE MAIN FUSE BOX/CIRCUIT BREAKER.**
2. Unscrew Ball Nut (M) from Pendant Body (N) and remove the Glass Shade (P).
3. Attach the Mounting Bracket (B) onto the Ceiling Outlet Box using Mounting Screws (C). Tighten screws with a Screwdriver until secure.
4. Attach one Hex Nut (F) to the top, and the other Hex Nut (F) to the bottom of the Nipple (G). Put the Lock Washer(H) in before attaching the Screw Collar Loop (I) to the bottom end of the Nipple (G).
5. Secure the top of Nipple (G) to the Mounting Bracket (B) with the Hex Nut (F), exposing approximately 2" of its thread.
6. Pull out the fixtures 2 wire power cord and bare copper ground wire woven through the Chain (K)





7. Slide the Canopy (E) and the Threaded Ring (J) up the Chain (K).
8. Connect Chain (K) to Screw Collar Loop (I) by using Quick Link (Q). Close the opening of Quick link by screwing the nut clockwise.
9. Gently pull existing Ground, Hot, and Neutral Junction Box Wires down from the Ceiling Junction Box and allow them to hang
10. Carefully inspect the chandelier's fixture wires. The Neutral Fixture Wire is ribbed. The Hot Fixture Wire is smooth, and the Ground Fixture Wire is in copper.
11. Attach the Ground Wire from the fixture to the Ground Junction Box Wire; It usually has green insulation around it or is bare wire. Fasten them together with a Wire Connector (A) and wrap the connection with electrical tape. Make sure that no wire strands are exposed. If Ceiling Outlet Junction Box does not have a Ground Junction Box Wire, insert the Ground Screw (D) into the Mounting Bracket (B) where it's marked "Ground", facing down and wrap the fixture's ground wire around the Ground Screw (D). Tighten the Ground Screw (D) to clamp Ground Fixture Wire between the head of Ground Screw (D) and Mounting Bracket (B). **IT IS IMPERATIVE THAT THE CEILING OUTLET JUNCTION BOX IN YOUR HOME BE PROPERLY GROUNDED!**
12. Connect the Neutral Fixture Wire to the Neutral Junction Box Wire; it usually has white insulation around it. Fasten them together with a plastic Wire Connector (A) and wrap the connection with electrical tape. Make sure that no wire strands are exposed.
13. Connect the Hot Fixture Wire to Hot Junction Box Wire; it usually has black insulation around it. Fasten them together with a plastic Wire Connector (A) and wrap the connection with electrical tape. Make sure that no wire strands are exposed. Do not reverse the hot and neutral connections or safety will be compromised.
14. Gently tuck the wire connections neatly into the Ceiling Outlet Junction Box.
15. Place the Canopy (E) over the Ceiling Outlet Junction Box and secure it in place by screwing the Threaded Ring (J) onto the Screw Collar Loop (I).
16. Insert ONE (1) 40-Watt maximum Type A standard medium base incandescent light bulb (not included) or ONE (1) 9-watt maximum compact fluorescent light bulb (not included) or ONE (1) 6-watt maximum LED light bulb (not included) into the socket. **DO NOT EXCEED SPECIFIED WATTAGE.**
17. Attach Glass Shade (P) onto the Pendant Body (N) by tightening the Ball Nut (M). **IMPORTANT:** Adjust the orientation of Glass Shade (P) until all 3 screws (O) at the top of Glass Shade (P) align with 3 holes on the cross bar of Pendant Body (N). Tighten the Ball Nut (M) to ensure Glass shade (P) and Pendant Body (N) are firmly attached together.
18. Restore power to junction box and test the fixture.
19. Installation is now complete.

## care instructions:

1. Wipe clean with a soft, dry cloth or static duster.
2. Always avoid the use of harsh chemicals or abrasive cleaners as they may cause damage to the chandelier's finish.

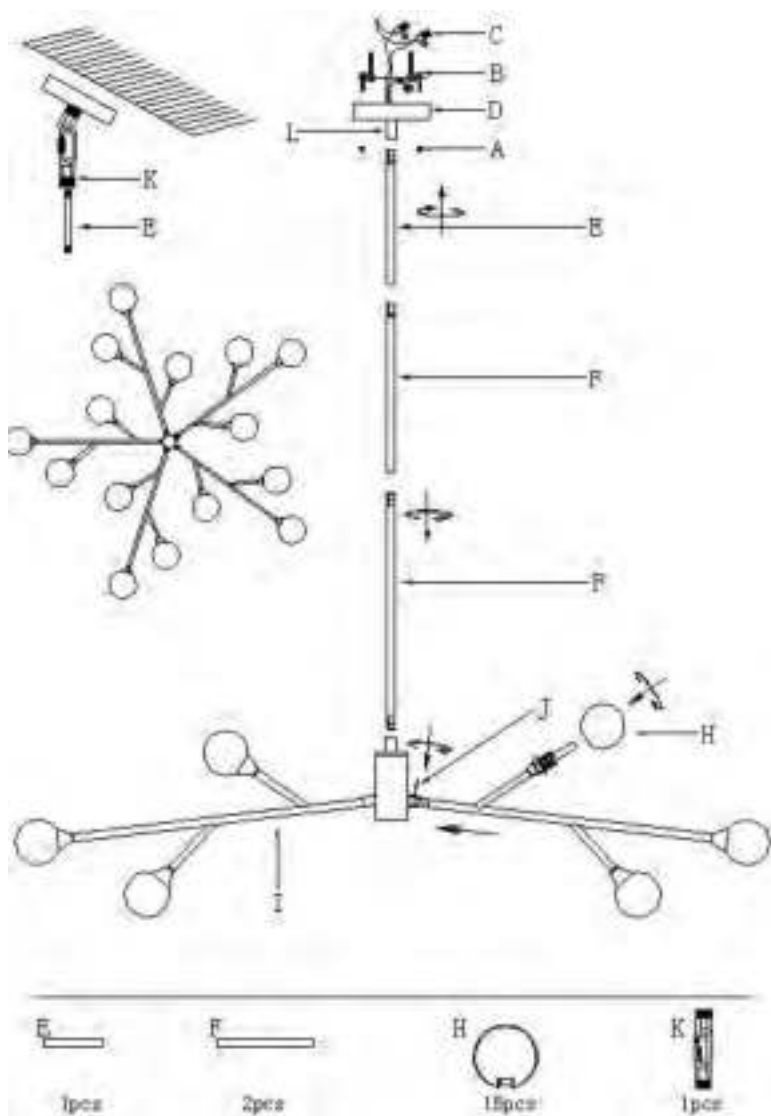
# PARTS INVENTORY

Super Category	Product ID	Description	Stat	Collection	Route
LIGHTING	91230L360F	ANTOINETTE TABLE LAMP FINIAL ANTO BRASS FINIAL	A	PT-ANTOINT	PART
LIGHTING	91230L360H	ANTOINETTE TABLE LAMP HARP 8" ANTO BRASS HARP	A	PT-ANTOINT	PART
LIGHTING	91230L360SH	ANTOINETTE TABLE LAMP SHADE ANTO BEIGE SHADE REPLACEMENT	A	PT-ANTOINT	

## parts enclosed:

Part	Description	Qty.	Part	Description	Qty.
A	screws	2	H	glass shades	15
B	mounting bracket	1	I	arms	5
C	nipples	3	J	screws	5
D	canopy	1	K	part #K	1
E	tube #E	1	L	screw pipe	1
F	tubes #F	2			

If the chandelier is installed on a sloping roof, please replace the screw nipple (L) with the part (K).



## important safety instructions:

1. We recommend installation by a licensed electrician.
2. To avoid the risk of fire, do not exceed the recommended wattage for this fixture.

## warnings:

1. Do not remove the lamp from its packaging by pulling on the power cord, as a bad connection may result.
2. To avoid the risk of fire, electrical shock, or personal injury, turn off lamp and allow it to cool prior to replacing light bulb.
3. Do not touch bulb when fixture is turned on or look directly at lit bulb.
4. Keep flammable materials away from lit bulb.

## to assemble:

1. Carefully remove all parts from the box.
2. Remove the mounting bracket (B) from the canopy (D) by loosening the screws (A).
3. Affix the arms (I) to the box and secure with screws (J). The screws should be screwed into holes at the top, tip of the arms.
4. Link the tubes (E)(F) together (you need link them according the height you want) and thread the linked pipe to the fixture body.
5. INSURE THE ELECTRICITY SUPPLY IS TURNED OFF.
6. Affix the mounting bracket (B) on the outlet box.
7. Wrap both safety cable with nipples (C), push the cable into the outlet box.
8. Attach the canopy (D) to the mounting bracket (B) and secure with screws (A).
9. Please put on gloves(not included) to install the G9 LED bulbs on the sockets and then install the glass shades ( H) on the sockets. There is a small hole in the glass globe to dissipate heat.
10. Installation is complete, turn on power at fuse or circuit breaker.

## care instructions:

Do not to touch the included bulbs. Please put on gloves (not included) when clean the glass shades. Clean with a dry, soft cloth only. Use no harsh abrasives or chemical agents.

# LIGHTING PARTS SKUS

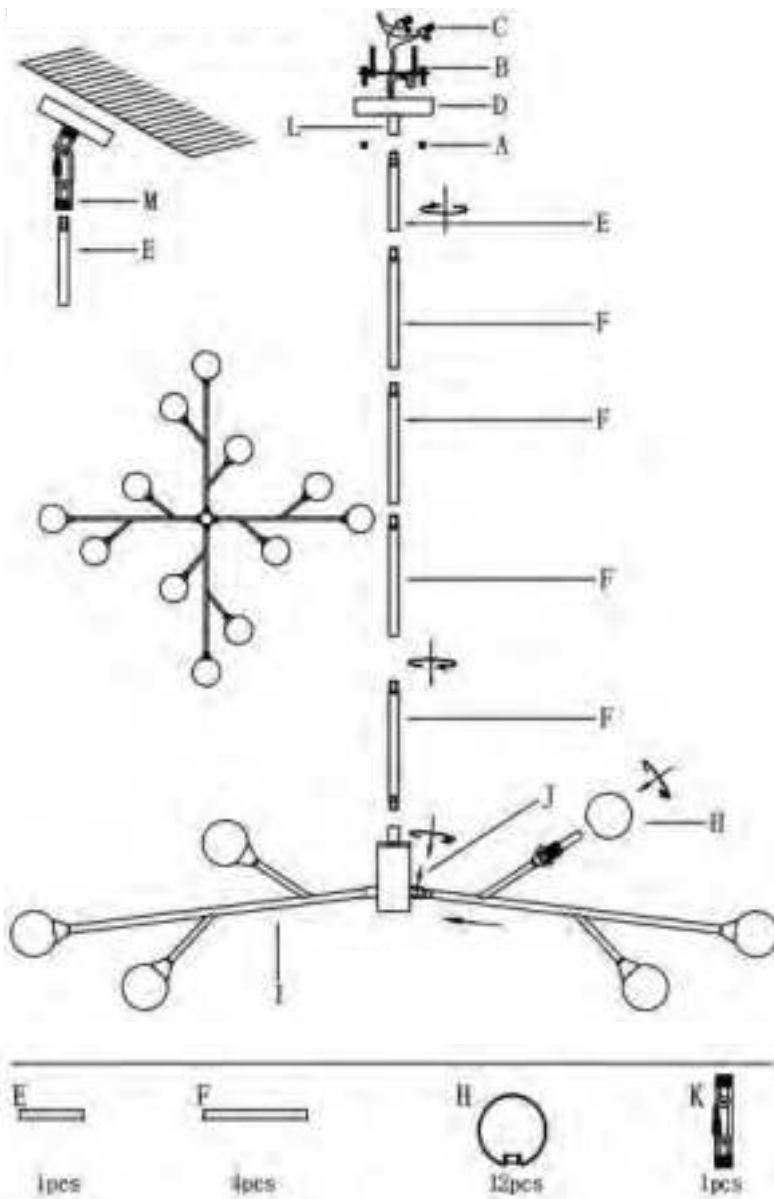
CATEGORY	SKU	DESCRIPTION	STATUS	COLLECTION	ROUTE
LIGHTING	912036H128R2	APOLLO CHAND 15.75" ROD HANGING ROD 15.75	A	PT-APOLLO	PART
LIGHTING	912036ROD1	APOLLO CHAND 7.9" ROD HANGING ROD 7.9	A	PT-APOLLO	PART
LIGHTING	912036G9BULB	APOLLO CHAND DIM G9 BULB DIMMABLE G9 2W LED BULB	A	PT-APOLLO	PART
LIGHTING	912036H128C	APOLLO CHAND SLOPE CONNECTOR CONNECTING HARDWARE FOR SLOPE	A	PT-APOLLO	PART
LIGHTING	912036H128CN	APOLLO CHANDELIER CANOPY CANOPY WITH HARDWARE	A	PT-APOLLO	PART
LIGHTING	912036H128S	APOLLO CHANDELIER GLASS SHADE ROUND GLASS SHADE	A	PT-APOLLO	
LIGHTING	912036H128B	APOLLO CHANDELIER LED BULB G9 2W LED BULB	D	PT-APOLLO	PART
LIGHTING	912036L214D	ARC FLOOR LAMP DIFFUSER 19.7" ACRYLIC DIFFUSER	A	PT-APOLLO	PART
LIGHTING	912036L214F	ARC FLR LAMP GLASS FINIAL BRNZ 1.6" GLASS FINIAL BRONZE	A	PT-APOLLO	PART
LIGHTING	912036L216F	ARC FLR LAMP GLASS FINIAL BRS 1.6" GLASS FINIAL BRASS	A	PT-APOLLO	PART

APOLLO BRASS 12-LT CHANDELIER  
662036H415

parts enclosed:

Part	Description	Qty.	Part	Description	Qty.
A	screws	2	H	glass shades	12
B	mounting bracket	1	I	arms	4
C	nipples	3	J	screws	4
D	canopy	1	K	part #K	1
E	tube #E	1	L	screw pipe	1
F	tubes #F	4			

If the chandelier is installed on a sloping roof, please replace the screw nipple (L) with the part (K).



important safety instructions:

1. We recommend installation by a licensed electrician.
2. To avoid the risk of fire, do not exceed the recommended wattage for this fixture.

warnings:

1. Do not remove the lamp from its packaging by pulling on the power cord, as a bad connection may result.
2. To avoid the risk of fire, electrical shock, or personal injury, turn off lamp and allow it to cool prior to replacing light bulb.
3. Do not touch bulb when fixture is turned on or look directly at lit bulb.
4. Keep flammable materials away from lit bulb.

to assemble:

1. Carefully remove all parts from the box.
2. Remove the mounting bracket (B) from the canopy (D) by loosening the screws (A).
3. Affix the arms (I) to the box and secure with screws (J). The screws should be screwed into holes at the top, tip of the arms.
4. Link the tubes (E) (F) together (you need link them according the height you want) and thread the linked pipe to the fixture body.
5. INSURE THE ELECTRICITY SUPPLY IS TURNED OFF.
6. Affix the mounting bracket (B) on the outlet box.
7. Wrap both safety cable with nipples (C), push the cable into the outlet box.
8. Attach the canopy (D) to the mounting bracket (B) and secure with screws (A).
9. Please put on gloves (not included) to install the G9 LED bulbs on the sockets and then install the glass shades (H) on the sockets. There is a small hole in the glass globe to dissipate heat.
10. Installation is complete, turn on power at fuse or circuit breaker.

care instructions:

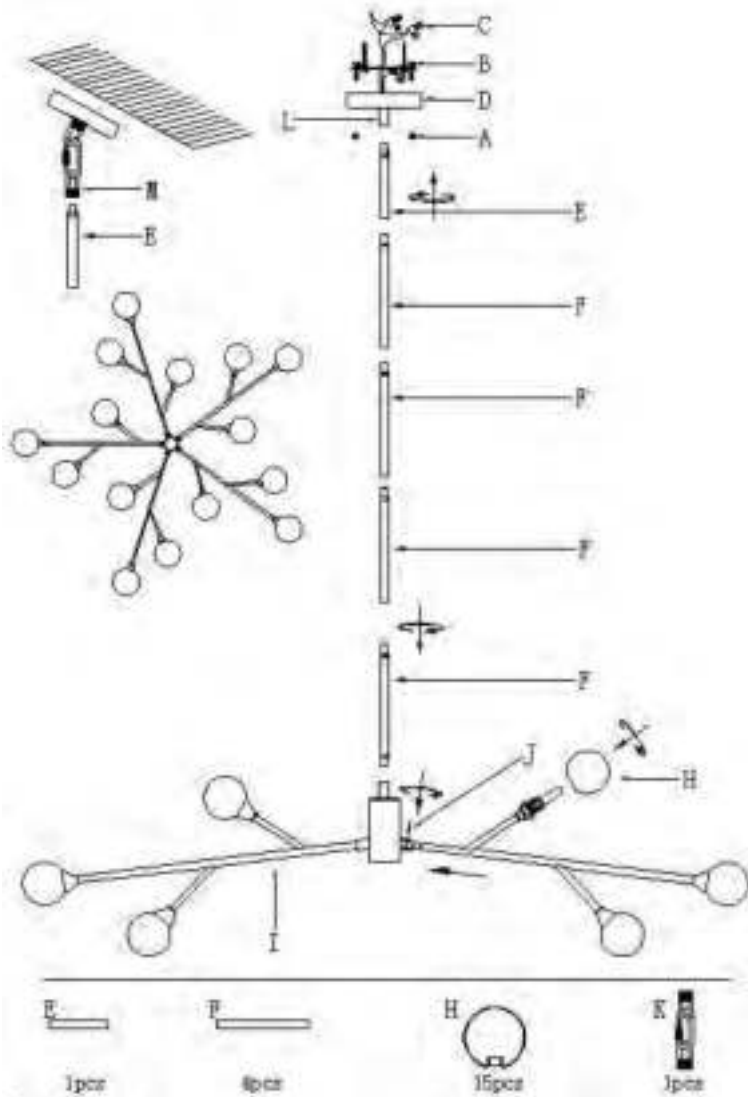
Do not to touch the included bulbs. Please put on gloves (not included) when clean the glass shades. Clean with a dry, soft cloth only. Use no harsh abrasives or chemical agents.

APOLLO BRASS 15-LT CHANDELIER  
662036H352

parts enclosed:

Part	Description	Qty.	Part	Description	Qty.
A	screws	2	H	glass shades	15
B	mounting bracket	1	I	arms	5
C	nipples	3	J	screws	5
D	canopy	1	K	part #K	1
E	tube #E	1	L	screw pipe	1
F	tubes #F	4			

If the chandelier is installed on a sloping roof, please replace the screw nipple (L) with the part (K).



important safety instructions:

1. We recommend installation by a licensed electrician.
2. To avoid the risk of fire, do not exceed the recommended wattage for this fixture.

warnings:

1. Do not remove the lamp from its packaging by pulling on the power cord, as a bad connection may result.
2. To avoid the risk of fire, electrical shock, or personal injury, turn off lamp and allow it to cool prior to replacing light bulb.
3. Do not touch bulb when fixture is turned on or look directly at lit bulb.
4. Keep flammable materials away from lit bulb.

to assemble:

1. Carefully remove all parts from the box.
2. Remove the mounting bracket (B) from the canopy (D) by loosening the screws (A).
3. Affix the arms (I) to the box and secure with screws (J).The screws should be screwed into holes at the top,tip of the arms.
4. Link the tubes (E)(F) together (you need link them according the height you want) and thread the linked pipe to the fixture body.
5. INSURE THE ELECTRICITY SUPPLY IS TURNED OFF.
6. Affix the mounting bracket (B) on the outlet box.
7. Wrap both safety cable with nipples (C), push the cable into the outlet box.
8. Attach the canopy (D) to the mounting bracket (B) and secure with screws (A).
9. Please put on gloves(not included) to install the G9 LED bulbs on the sockets and then install the glass shades ( H) on the sockets.There is a small hole in the glass globe to dissipate heat.
- 10.Installation is complete, turn on power at fuse or circuit breaker.

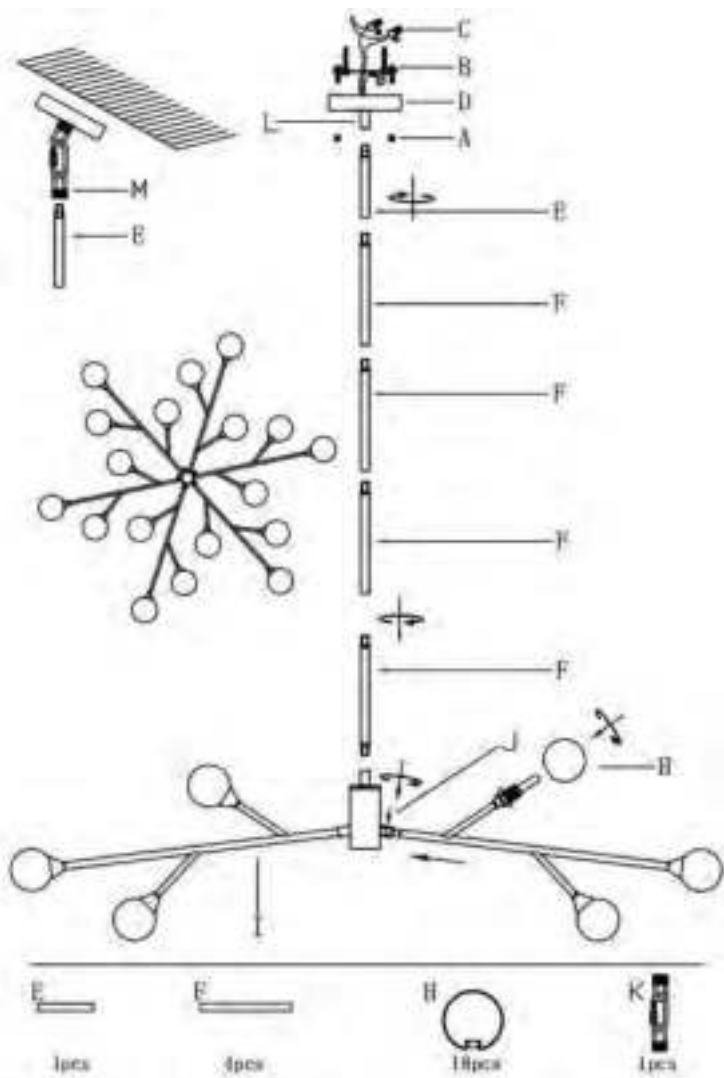
care instructions:

Do not to touch the included bulbs.Please put on gloves (not included) when clean the glass shades.Clean with a dry, soft cloth only. Use no harsh abrasives or chemical agents.

### parts enclosed:

Part	Description	Qty.	Part	Description	Qty.
A	screws	2	H	glass shades	18
B	mounting bracket	1	I	arms	5
C	nipples	3	J	screws	5
D	canopy	1	K	part #K	1
E	tube #E	1	L	screw pipe	1
F	tubes #F	4			

If the chandelier is installed on a sloping roof, please replace the screw nipple (L) with the part (K).



### important safety instructions:

1. We recommend installation by a licensed electrician.
2. To avoid the risk of fire, do not exceed the recommended wattage for this fixture.

### warnings:

1. Do not remove the lamp from its packaging by pulling on the power cord, as a bad connection may result.
2. To avoid the risk of fire, electrical shock, or personal injury, turn off lamp and allow it to cool prior to replacing light bulb.
3. Do not touch bulb when fixture is turned on or look directly at lit bulb.
4. Keep flammable materials away from lit bulb.

### to assemble:

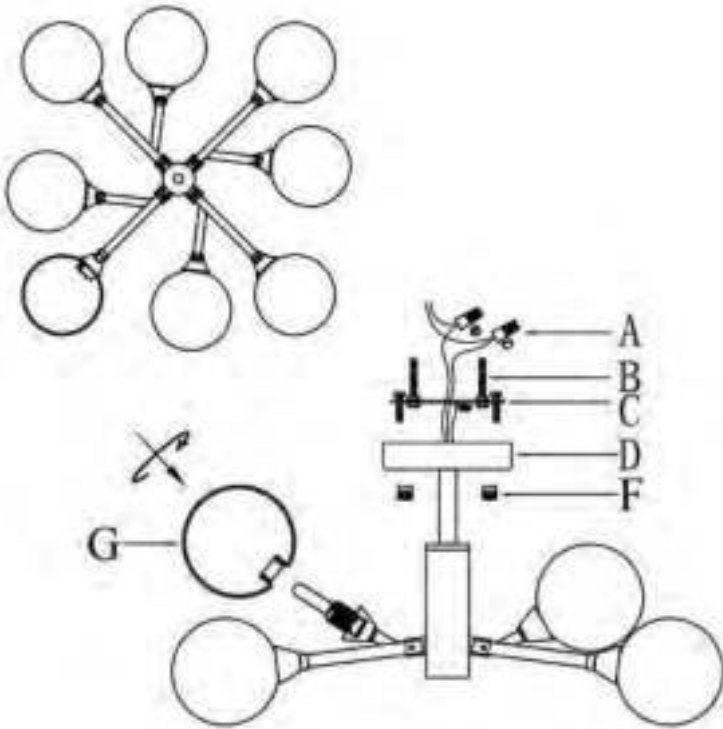
1. Carefully remove all parts from the box.
2. Remove the mounting bracket (B) from the canopy (D) by loosening the screws (A).
3. Affix the arms (I) to the box and secure with screws (J). The screws should be screwed into holes at the top, tip of the arms.
4. Link the tubes (E)(F) together (you need link them according the height you want) and thread the linked pipe to the fixture body.
5. INSURE THE ELECTRICITY SUPPLY IS TURNED OFF.
6. Affix the mounting bracket (B) on the outlet box.
7. Wrap both safety cable with nipples (C), push the cable into the outlet box.
8. Attach the canopy (D) to the mounting bracket (B) and secure with screws (A).
9. Please put on gloves(not included) to install the G9 LED bulbs on the sockets and then install the glass shades ( H) on the sockets. There is a small hole in the glass globe to dissipate heat.
10. Installation is complete, turn on power at fuse or circuit breaker.

### care instructions:

Do not to touch the included bulbs. Please put on gloves (not included) when clean the glass shades. Clean with a dry, soft cloth only. Use no harsh abrasives or chemical agents.

**parts enclosed:**

Part	Description	Qty.
A	nipples	3
B	screws # B	2
C	mounting bracket	1
D	canopy	1
F	screws # F	2
G	glass shades	8



**important safety instructions:**

1. We recommend installation by a licensed electrician.
2. To avoid the risk of fire, do not exceed the recommended wattage for this fixture.

**warnings:**

1. Do not remove the lamp from its packaging by pulling on the power cord, as a bad connection may result.
2. To avoid the risk of fire, electrical shock, or personal injury, turn off lamp and allow it to cool prior to replacing light bulb.
3. Do not touch bulb when fixture is turned on or look directly at lit bulb.
4. Keep flammable materials away from lit bulb.

**to assemble:**

1. Carefully remove all parts from the box.
2. Remove the mounting bracket (C) from the ceiling base (D) by loosening the screws (F).
3. Affix the mounting bracket (C) on the outlet box with the screws.
4. INSURE THE ELECTRICITY SUPPLY IS TURNED OFF.
5. Wrap both safety cables with nipples (A), push the canopy (D) on the ceiling base (C) and then affix it with screws (F).
6. Please put on gloves to install the G9 LED bulbs (not including) on the sockets and then install the glass shades (G) on the sockets. There is a small hole in the glass globe to dissipate heat.
7. Installation is complete, turn on power at fuse or circuit breaker.

**care instructions:**

Do not touch the included bulbs. Please put on gloves (not included) when clean the glass shades. Clean with a dry, soft cloth only. Use no harsh abrasives or chemical agents.

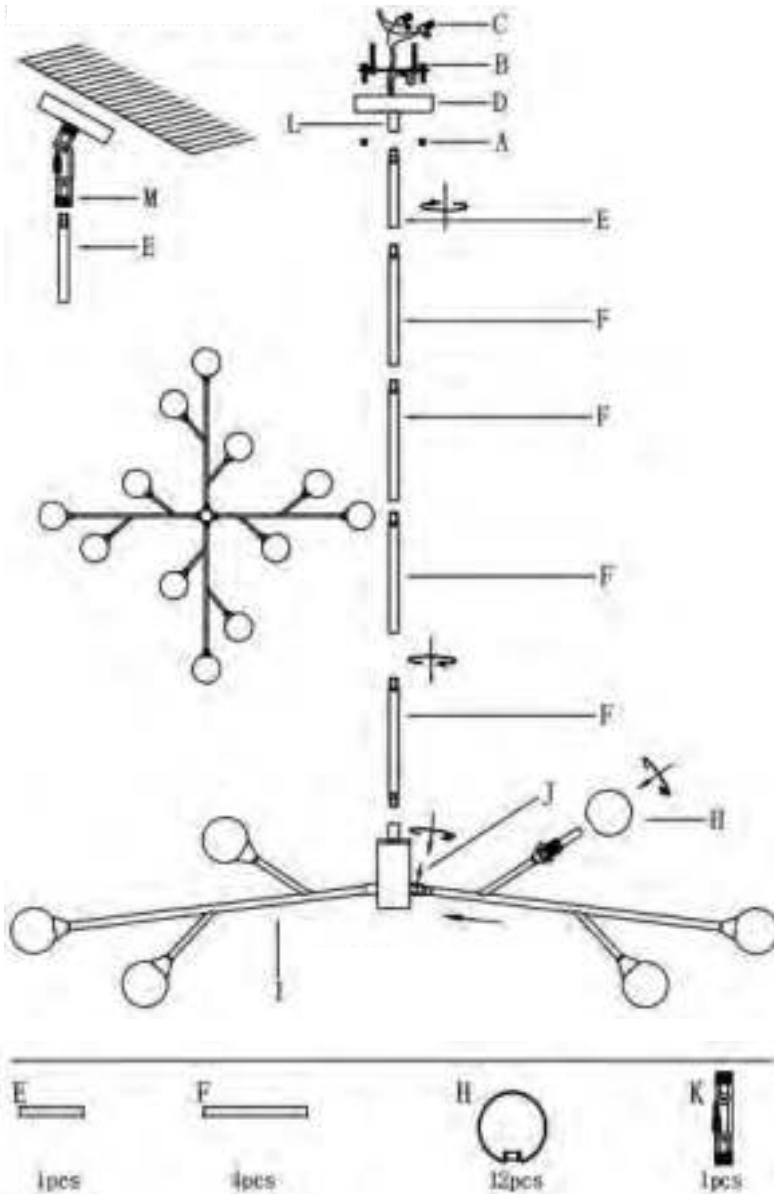


APOLLO BRONZE 12-LT CHANDELIER  
662036H414

parts enclosed:

Part	Description	Qty.	Part	Description	Qty.
A	screws	2	H	glass shades	12
B	mounting bracket	1	I	arms	4
C	nipples	3	J	screws	4
D	canopy	1	K	part #K	1
E	tube #E	1	L	screw pipe	1
F	tubes #F	4			

If the chandelier is installed on a sloping roof, please replace the screw nipple (L) with the part (K).



important safety instructions:

1. We recommend installation by a licensed electrician.
2. To avoid the risk of fire, do not exceed the recommended wattage for this fixture.

warnings:

1. Do not remove the lamp from its packaging by pulling on the power cord, as a bad connection may result.
2. To avoid the risk of fire, electrical shock, or personal injury, turn off lamp and allow it to cool prior to replacing light bulb.
3. Do not touch bulb when fixture is turned on or look directly at lit bulb.
4. Keep flammable materials away from lit bulb.

to assemble:

1. Carefully remove all parts from the box.
2. Remove the mounting bracket (B) from the canopy (D) by loosening the screws (A).
3. Affix the arms (I) to the box and secure with screws (J). The screws should be screwed into holes at the top, tip of the arms.
4. Link the tubes (E) (F) together (you need link them according the height you want) and thread the linked pipe to the fixture body.
5. INSURE THE ELECTRICITY SUPPLY IS TURNED OFF.
6. Affix the mounting bracket (B) on the outlet box.
7. Wrap both safety cable with nipples (C), push the cable into the outlet box.
8. Attach the canopy (D) to the mounting bracket (B) and secure with screws (A).
9. Please put on gloves (not included) to install the G9 LED bulbs on the sockets and then install the glass shades (H) on the sockets. There is a small hole in the glass globe to dissipate heat.
10. Installation is complete, turn on power at fuse or circuit breaker.

care instructions:

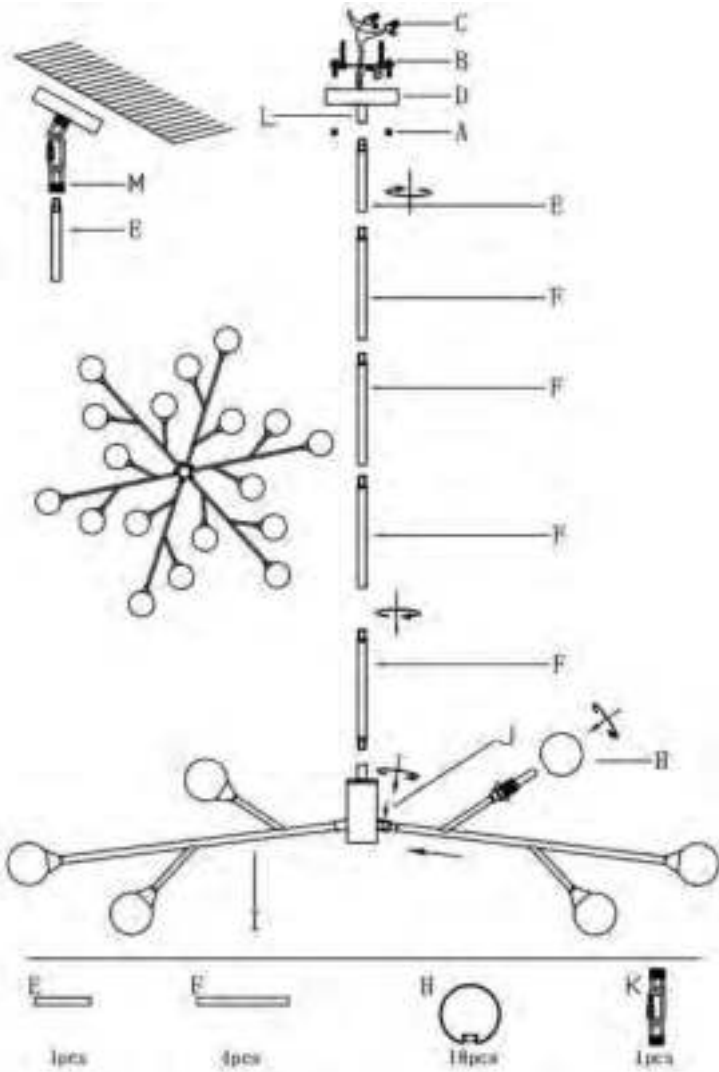
Do not to touch the included bulbs. Please put on gloves (not included) when clean the glass shades. Clean with a dry, soft cloth only. Use no harsh abrasives or chemical agents.

APOLLO BRONZE 18-LT CHANDELIER  
662036H351

parts enclosed:

Part	Description	Qty.	Part	Description	Qty.
A	screws	2	H	glass shades	18
B	mounting bracket	1	I	arms	5
C	nipples	3	J	screws	5
D	canopy	1	K	part #K	1
E	tube #E	1	L	screw pipe	1
F	tubes #F	4			

If the chandelier is installed on a sloping roof, please replace the screw nipple (L) with the part (K).



important safety instructions:

1. We recommend installation by a licensed electrician.
2. To avoid the risk of fire, do not exceed the recommended wattage for this fixture.

warnings:

1. Do not remove the lamp from its packaging by pulling on the power cord, as a bad connection may result.
2. To avoid the risk of fire, electrical shock, or personal injury, turn off lamp and allow it to cool prior to replacing light bulb.
3. Do not touch bulb when fixture is turned on or look directly at lit bulb.
4. Keep flammable materials away from lit bulb.

to assemble:

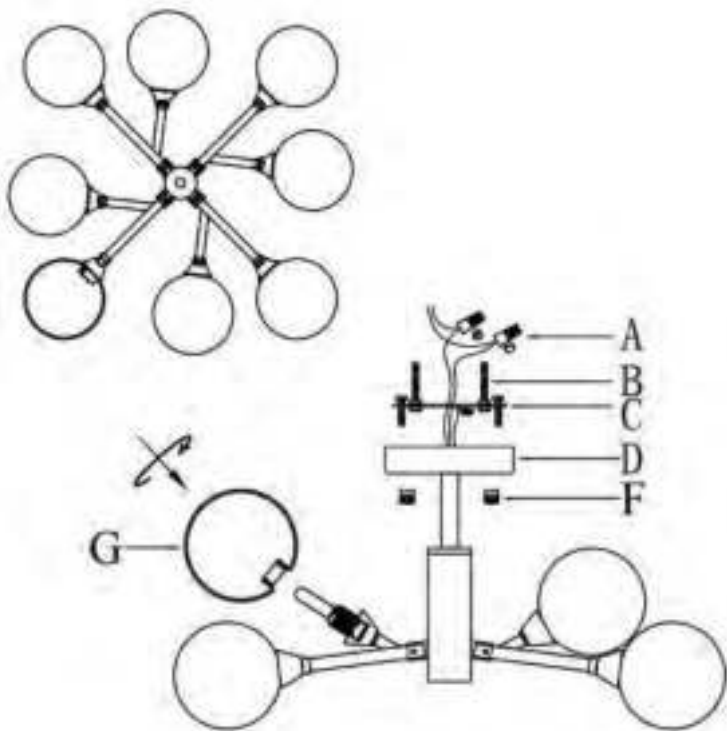
1. Carefully remove all parts from the box.
2. Remove the mounting bracket (B) from the canopy (D) by loosening the screws (A).
3. Affix the arms (I) to the box and secure with screws (J). The screws should be screwed into holes at the top, tip of the arms.
4. Link the tubes (E)(F) together (you need link them according the height you want) and thread the linked pipe to the fixture body.
5. INSURE THE ELECTRICITY SUPPLY IS TURNED OFF.
6. Affix the mounting bracket (B) on the outlet box.
7. Wrap both safety cable with nipples (C), push the cable into the outlet box.
8. Attach the canopy (D) to the mounting bracket (B) and secure with screws (A).
9. Please put on gloves(not included) to install the G9 LED bulbs on the sockets and then install the glass shades ( H) on the sockets. There is a small hole in the glass globe to dissipate heat.
10. Installation is complete, turn on power at fuse or circuit breaker.

care instructions:

Do not to touch the included bulbs. Please put on gloves (not included) when clean the glass shades. Clean with a dry, soft cloth only. Use no harsh abrasives or chemical agents.

**parts enclosed:**

Part	Description	Qty.
A	nipples	3
B	screws # B	2
C	mounting bracket	1
D	canopy	1
F	screws # F	2
G	glass shades	8



**important safety instructions:**

1. We recommend installation by a licensed electrician.
2. To avoid the risk of fire, do not exceed the recommended wattage for this fixture.

**warnings:**

1. Do not remove the lamp from its packaging by pulling on the power cord, as a bad connection may result.
2. To avoid the risk of fire, electrical shock, or personal injury, turn off lamp and allow it to cool prior to replacing light bulb.
3. Do not touch bulb when fixture is turned on or look directly at lit bulb.
4. Keep flammable materials away from lit bulb.

**to assemble:**

1. Carefully remove all parts from the box.
2. Remove the mounting bracket (C) from the ceiling base (D) by loosening the screws (F).
3. Affix the mounting bracket (C) on the outlet box with the screws.
4. **INSURE THE ELECTRICITY SUPPLY IS TURNED OFF.**
5. Wrap both safety cables with nipples (A), push the canopy (D) on the ceiling base (C) and then affix it with screws (F).
6. Please put on gloves to install the G9 LED bulbs (not including) on the sockets and then install the glass shades (G) on the sockets. There is a small hole in the glass globe to dissipate heat.
7. Installation is complete, turn on power at fuse or circuit breaker.

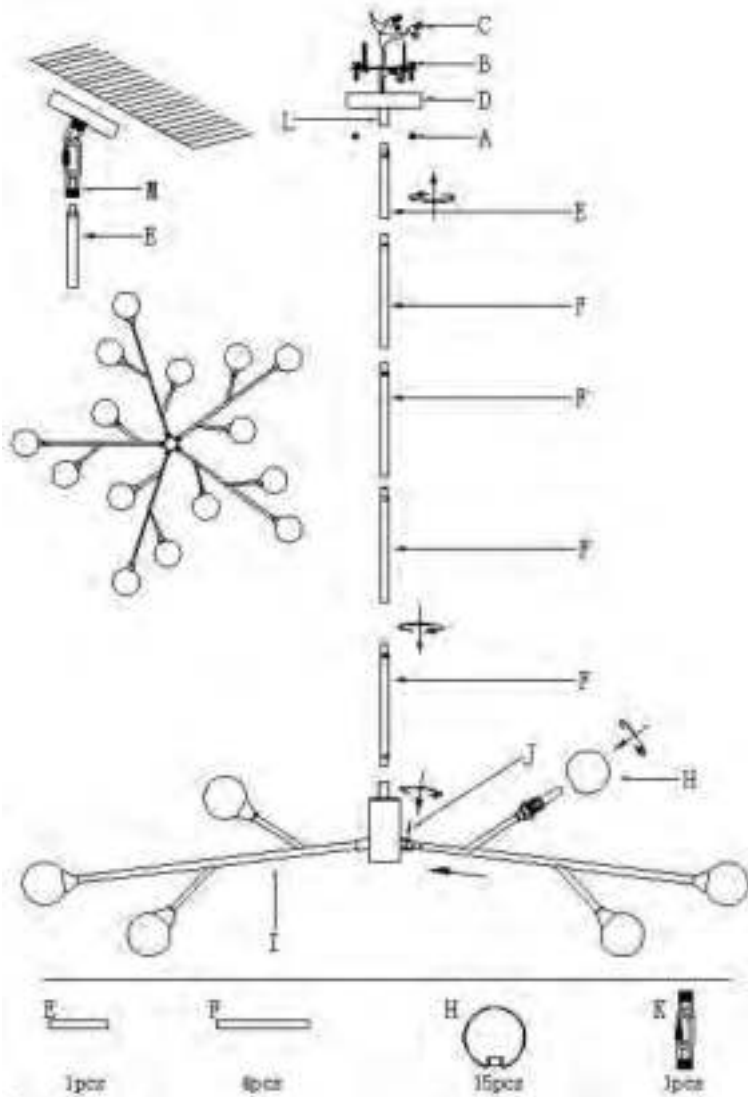
**care instructions:**

Do not touch the included bulbs. Please put on gloves (not included) when clean the glass shades. Clean with a dry, soft cloth only. Use no harsh abrasives or chemical agents.

**parts enclosed:**

Part	Description	Qty.	Part	Description	Qty.
A	screws	2	H	glass shades	15
B	mounting bracket	1	I	arms	5
C	nipples	3	J	screws	5
D	canopy	1	K	part #K	1
E	tube #E	1	L	screw pipe	1
F	tubes #F	4			

If the chandelier is installed on a sloping roof, please replace the screw nipple (L) with the part (K).



**important safety instructions:**

1. We recommend installation by a licensed electrician.
2. To avoid the risk of fire, do not exceed the recommended wattage for this fixture.

**warnings:**

1. Do not remove the lamp from its packaging by pulling on the power cord, as a bad connection may result.
2. To avoid the risk of fire, electrical shock, or personal injury, turn off lamp and allow it to cool prior to replacing light bulb.
3. Do not touch bulb when fixture is turned on or look directly at lit bulb.
4. Keep flammable materials away from lit bulb.

**to assemble:**

1. Carefully remove all parts from the box.
2. Remove the mounting bracket (B) from the canopy (D) by loosening the screws (A).
3. Affix the arms (I) to the box and secure with screws (J).The screws should be screwed into holes at the top,tip of the arms.
4. Link the tubes (E)(F) together (you need link them according the height you want) and thread the linked pipe to the fixture body.
5. INSURE THE ELECTRICITY SUPPLY IS TURNED OFF.
6. Affix the mounting bracket (B) on the outlet box.
7. Wrap both safety cable with nipples (C), push the cable into the outlet box.
8. Attach the canopy (D) to the mounting bracket (B) and secure with screws (A).
9. Please put on gloves(not included) to install the G9 LED bulbs on the sockets and then install the glass shades ( H) on the sockets.There is a small hole in the glass globe to dissipate heat.
- 10.Installation is complete, turn on power at fuse or circuit breaker.

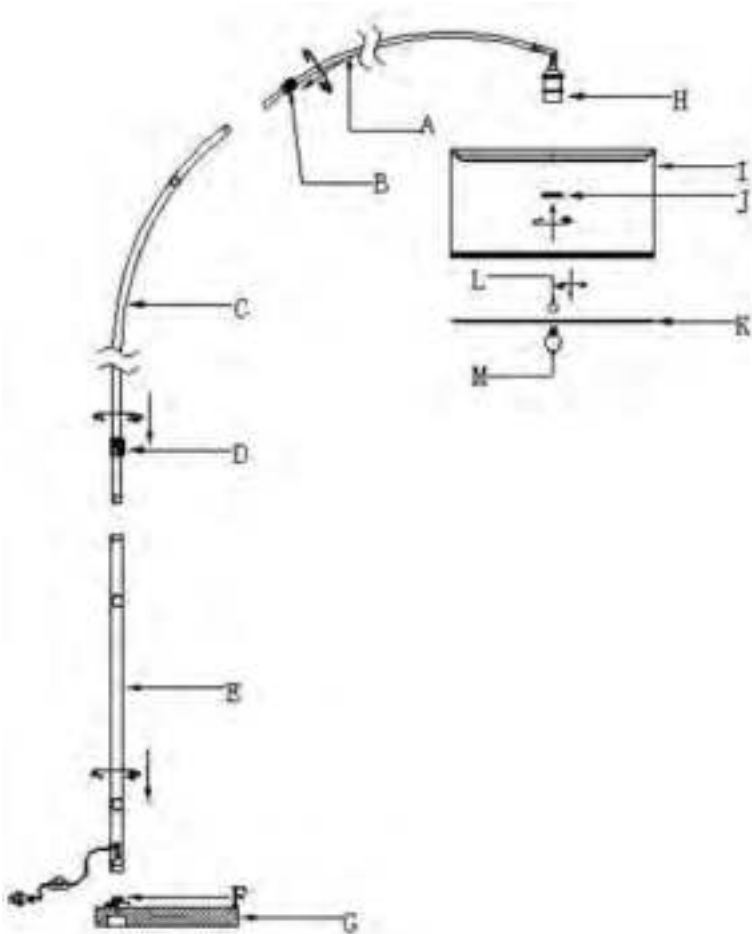
**care instructions:**

Do not to touch the included bulbs.Please put on gloves (not included) when clean the glass shades.Clean with a dry, soft cloth only. Use no harsh abrasives or chemical agents.

ARC BRASS DRUM SHADE KIT  
662036H216KT

parts enclosed:

Part	Description	Qty.	Part	Description	Qty.
A	center pole #A	1	H	socket	2
B	lock screw #B	1	I	shade	1
C	center pole #C	1	J	threaded collar	1
D	lock screw #D	1	K	diffuser	1
E	center pole #E	1	L	threaded sphere	1
F	screw nipple	1	M	finial	1
G	marble stone base	1			



important safety instructions:

1. We recommend installation by a licensed electrician.
2. To avoid the risk of fire, do not exceed the recommended wattage for this fixture.
3. When adjusting lamp height, ensure excess electrical cord is not lodged inside pole by cautiously pulling excess cord through cord exit near base of the lamp. We recommend removing the shade when adjusting lamp height to desired positioned.

warnings:

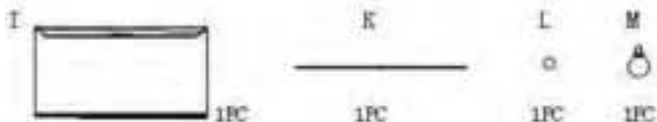
1. Do not remove the lamp from its packaging by pulling on the power cord, as a bad connection may result.
2. To avoid the risk of fire, electrical shock, or personal injury, turn off lamp and allow it to cool prior to replacing light bulb.
3. Do not touch bulb when fixture is turned on or look directly at lit bulb.
4. Keep flammable materials away from lit bulb.

to assemble:

1. Carefully remove all parts from the box.
2. Assemble center poles (A), (C) and (E) together with lock screws (B) and (D).
3. Install the assembled center pole on the screw nipple (F) located on the marble base (G).
4. Unscrew the threaded collar (J) from the socket (H). Assemble the shade (I) on the socket (H) and secure it with the threaded collar (J).
5. Install the bulb (not included).
6. Assemble the diffuser (K) by twisting the threaded sphere (L) onto the decorative finial (M). Insert the diffuser (K) into position at the bottom of the shade (I) with decorative finial (M) exposed and threaded sphere (L) concealed in the shade.
7. Plug the lamp into the wall outlet.

care instructions:

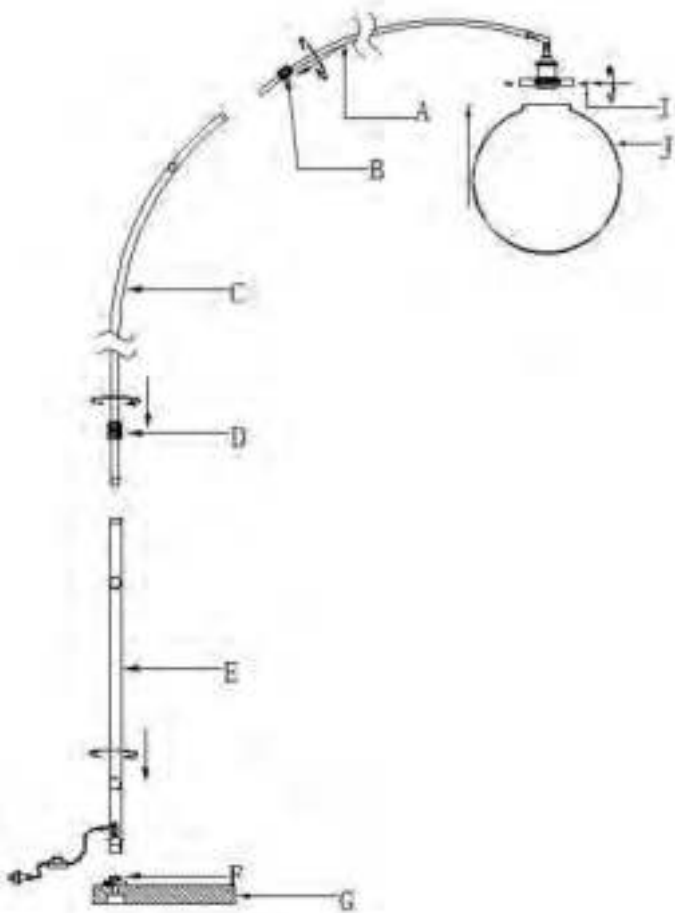
Clean with a dry, soft cloth only. Use no harsh abrasives or chemical agents.



ARC BRASS GLASS SHADE KIT  
662036H215KT

parts enclosed:

Part	Description	Qty.	Part	Description	Qty.
A	center pole #A	1	F	screw nipple	1
B	lock screw #B	1	G	marble stone base	1
C	center pole #C	1	I	screws	2
D	lock screw #D	1	J	glass shades	1
E	center pole #E	1			



important safety instructions:

1. We recommend installation by a licensed electrician.
2. To avoid the risk of fire, do not exceed the recommended wattage for this fixture.
3. When adjusting lamp height, ensure excess electrical cord is not lodged inside pole by cautiously pulling excess cord through cord exit near base of the lamp. We recommend removing the shade when adjusting lamp height to desired positioned.

warnings:

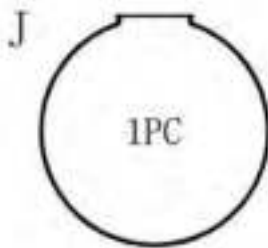
1. Do not remove the lamp from its packaging by pulling on the power cord, as a bad connection may result.
2. To avoid the risk of fire, electrical shock, or personal injury, turn off lamp and allow it to cool prior to replacing light bulb.
3. Do not touch bulb when fixture is turned on or look directly at lit bulb.
4. Keep flammable materials away from lit bulb.

to assemble:

1. Carefully remove all parts from the box.
2. Assemble center poles (A), (C) and (E) together with lock screws (B) and (D).
3. Install the assembled center pole on the screw nipple (F) located on the marble base (G).
4. Install the bulb (not included) on the socket. Fix the glass shade (J) using the screws (I) according to the illustration.
5. Pull the wire out as you adjust the height downward.
6. Plug the lamp into the wall outlet.

care instructions:

Clean with a dry, soft cloth only. Use no harsh abrasives or chemical agents.



# LIGHTING PARTS SKUS

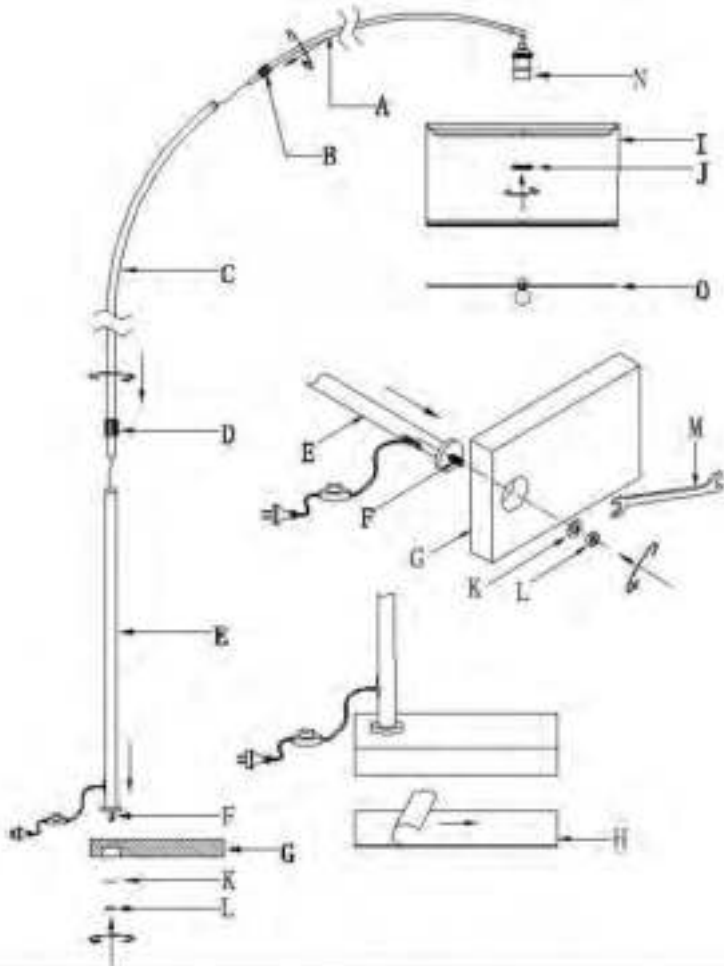
CATEGORY	SKU	DESCRIPTION	STATUS	COLLECTION	ROUTE
LIGHTING	913303L0571K	ARC FLOOR LAMP KNOB BLACK KNOB	D	PT-ARC	PART
LIGHTING	912036114D	ARC LAMP DIFFUSER REPLACEMENT ACRYLIC DIFFUSER	A	PT-ARC	PART

ARC BRASS DRUM SHADE KIT  
662036L16KT2

parts enclosed:

Part	Description	Qty.
A	center pole #A	1
B	lock screw #B	1
C	center pole #C	1
D	lock screw #D	1
E	center pole #E	1
F	screw pipe	1
G	marble stone base	1
H	flannelette	1

Part	Description	Qty.
I	shade	1
J	lock collar	1
K	washer	1
L	screw # L	1
M	wrench	1
N	socket	1
O	acrylic plate	1



important safety instructions:

1. We recommend installation by a licensed electrician.
2. To avoid the risk of fire, do not exceed the recommended wattage for this fixture.
3. When adjusting lamp height, ensure excess electrical cord is not lodged inside pole by cautiously pulling excess cord through cord exit near base of the lamp. We recommend removing the shade when adjusting lamp height to desired positioned.

warnings:

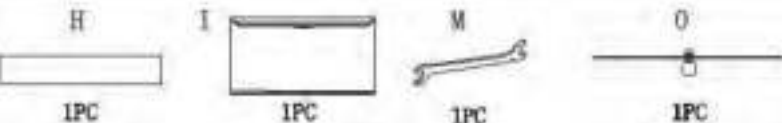
1. Do not remove the lamp from its packaging by pulling on the power cord, as a bad connection may result.
2. To avoid the risk of fire, electrical shock, or personal injury, turn off lamp and allow it to cool prior to replacing light bulb.
3. Do not touch bulb when fixture is turned on or look directly at lit bulb.
4. Keep flammable materials away from lit bulb.

to assemble:

1. Carefully remove all parts from the box.
2. Use the washer (K) and screw (L) on the screw pipe (F) to fix the pole (E) on the marble base (G) firmly with the provided wrench (M) according to the illustration, and then peel off the yellow paper on the flannelette (H) and adhere it to the bottom marble base (G) according to the illustration.
3. Link the pipes (A) (C) (E) together with the lock screws (B) and (D).
4. Unscrew the lock collar (J) on the socket (N) and then put the shade (I) on the socket (N) and secure it with lock collar (J) again.
5. Install the bulb (not included) on the socket (N). If diffuser is preferred, install the acrylic plate (O) in the bottom of the shade (I) according to the illustration.
6. Pull the wire out as you adjust the height downward.
7. Plug the lamp into the wall outlet.

care instructions:

Clean with a dry, soft cloth only. Use no harsh abrasives or chemical agents.





ARC BRASS GLASS SHADE KIT  
662036L15KT2

parts enclosed:

Part	Description	Qty.	Part	Description	Qty.
A	center pole #A	1	H	flannelette	1
B	lock screw #B	1	I	screw # I	3
C	center pole #C	1	J	glass shade	1
D	lock screw #D	1	K	washer	1
E	center pole #E	1	L	screw # L	1
F	screw pipe	1	M	wrench	1
G	marble stone base	1			

important safety instructions:

1. We recommend installation by a licensed electrician.
2. To avoid the risk of fire, do not exceed the recommended wattage for this fixture.
3. When adjusting lamp height, ensure excess electrical cord is not lodged inside pole by cautiously pulling excess cord through cord exit near base of the lamp. We recommend removing the shade when adjusting lamp height to desired positioned.

warnings:

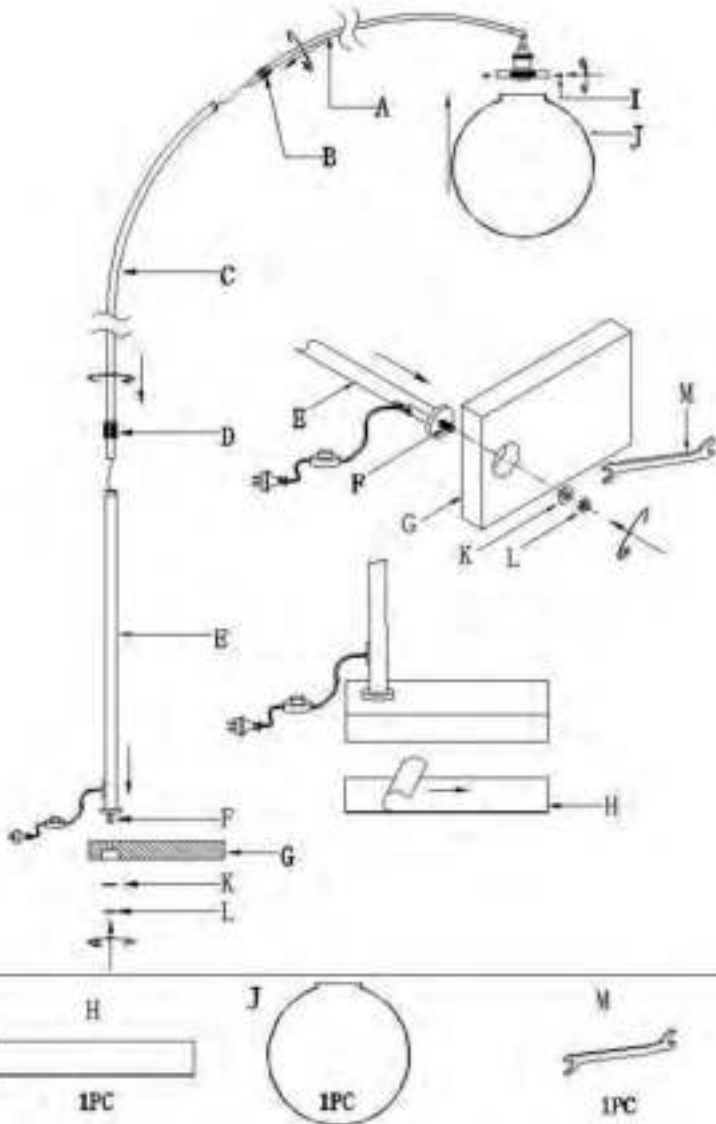
1. Do not remove the lamp from its packaging by pulling on the power cord, as a bad connection may result.
2. To avoid the risk of fire, electrical shock, or personal injury, turn off lamp and allow it to cool prior to replacing light bulb.
3. Do not touch bulb when fixture is turned on or look directly at lit bulb.
4. Keep flammable materials away from lit bulb.

to assemble:

1. Carefully remove all parts from the box.
2. Use the washer (K) and screw (L) on the screw pipe (F) to fix the pole (E) on the marble base (G) firmly with the provided wrench (M) according to the illustration, and then peel off the yellow paper on the flannelette (H) and adhere it to the bottom marble base (G). NOTE: please put the outlet hole in the right orientation to the marble base (G) according to the illustration.
3. Link the poles (A) (C) (E) together with the lock screws (B) and (D).
4. Install the bulb (not included) on the socket, fix the glass shade (J) with the screws (I) according to the illustration.
5. Pull the wire out as you adjust the height downward.
6. Plug the lamp into the wall outlet.

care instructions:

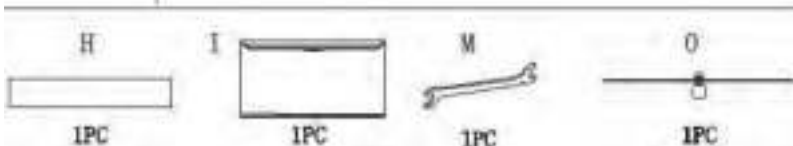
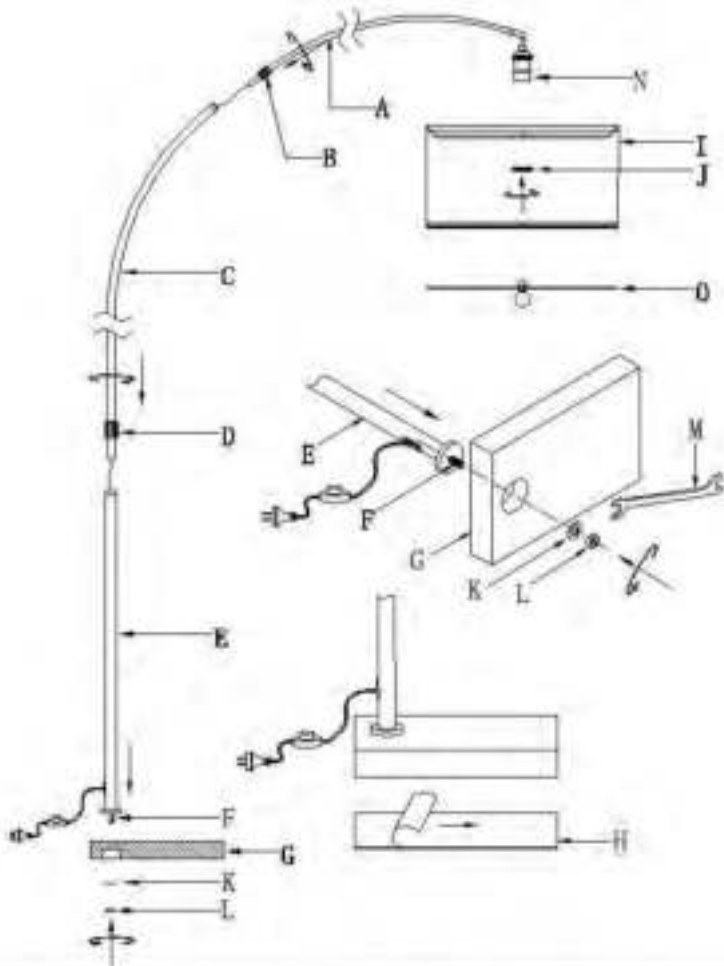
Clean with a dry, soft cloth only. Use no harsh abrasives or chemical agents.



## parts enclosed:

Part	Description	Qty.
A	center pole #A	1
B	lock screw #B	1
C	center pole #C	1
D	lock screw #D	1
E	center pole #E	1
F	screw pipe	1
G	marble stone base	1
H	flannelette	1

Part	Description	Qty.
I	shade	1
J	lock collar	1
K	washer	1
L	screw # L	1
M	wrench	1
N	socket	1
O	acrylic plate	1



## important safety instructions:

1. We recommend installation by a licensed electrician.
2. To avoid the risk of fire, do not exceed the recommended wattage for this fixture.
3. When adjusting lamp height, ensure excess electrical cord is not lodged inside pole by cautiously pulling excess cord through cord exit near base of the lamp. We recommend removing the shade when adjusting lamp height to desired positioned.

## warnings:

1. Do not remove the lamp from its packaging by pulling on the power cord, as a bad connection may result.
2. To avoid the risk of fire, electrical shock, or personal injury, turn off lamp and allow it to cool prior to replacing light bulb.
3. Do not touch bulb when fixture is turned on or look directly at lit bulb.
4. Keep flammable materials away from lit bulb.

## to assemble:

1. Carefully remove all parts from the box.
2. Use the washer (K) and screw (L) on the screw pipe (F) to fix the pole (E) on the marble base (G) firmly with the provided wrench (M) according to the illustration, and then peel off the yellow paper on the flannelette (H) and adhere it to the bottom marble base (G) according to the illustration.
3. Link the pipes (A) (C) (E) together with the lock screws (B) and (D).
4. Unscrew the lock collar (J) on the socket (N) and then put the shade (I) on the socket (N) and secure it with lock collar (J) again.
5. Install the bulb (not included) on the socket (N). If diffuser is preferred, install the acrylic plate (O) in the bottom of the shade (I) according to the illustration.
6. Pull the wire out as you adjust the height downward.
7. Plug the lamp into the wall outlet.

## care instructions:

Clean with a dry, soft cloth only. Use no harsh abrasives or chemical agents.

ARC BRONZE GLASS SHADE KIT  
662036L13KT2

parts enclosed:

Part	Description	Qty.	Part	Description	Qty.
A	center pole #A	1	H	flannelette	1
B	lock screw #B	1	I	screw # I	3
C	center pole #C	1	J	glass shade	1
D	lock screw #D	1	K	washer	1
E	center pole #E	1	L	screw # L	1
F	screw pipe	1	M	wrench	1
G	marble stone base	1			

important safety instructions:

1. We recommend installation by a licensed electrician.
2. To avoid the risk of fire, do not exceed the recommended wattage for this fixture.
3. When adjusting lamp height, ensure excess electrical cord is not lodged inside pole by cautiously pulling excess cord through cord exit near base of the lamp. We recommend removing the shade when adjusting lamp height to desired positioned.

warnings:

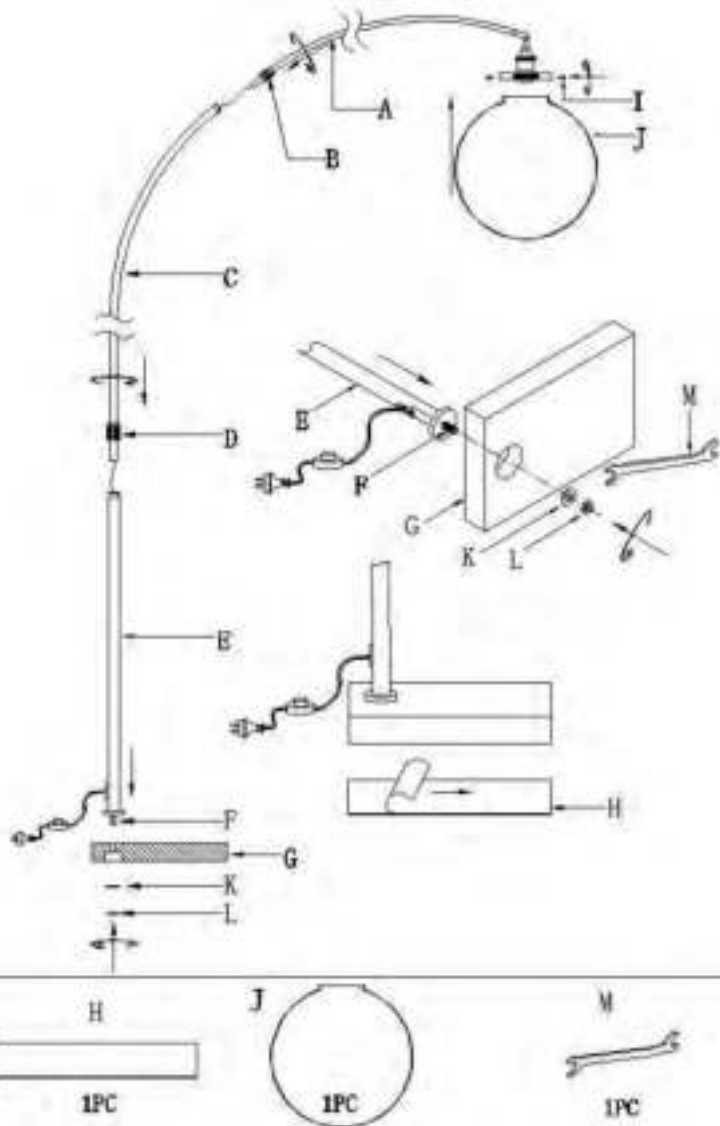
1. Do not remove the lamp from its packaging by pulling on the power cord, as a bad connection may result.
2. To avoid the risk of fire, electrical shock, or personal injury, turn off lamp and allow it to cool prior to replacing light bulb.
3. Do not touch bulb when fixture is turned on or look directly at lit bulb.
4. Keep flammable materials away from lit bulb.

to assemble:

1. Carefully remove all parts from the box.
2. Use the washer (K) and screw (L) on the screw pipe (F) to fix the pole (E) on the marble base (G) firmly with the provided wrench (M) according to the illustration, and then peel off the yellow paper on the flannelette (H) and adhere it to the bottom marble base (G). NOTE: please put the outlet hole in the right orientation to the marble base (G) according to the illustration.
3. Link the poles (A) (C) (E) together with the lock screws (B) and (D).
4. Install the bulb (not included) on the socket, fix the glass shade (J) with the screws (I) according to the illustration.
5. Pull the wire out as you adjust the height downward.
6. Plug the lamp into the wall outlet.

care instructions:

Clean with a dry, soft cloth only. Use no harsh abrasives or chemical agents.



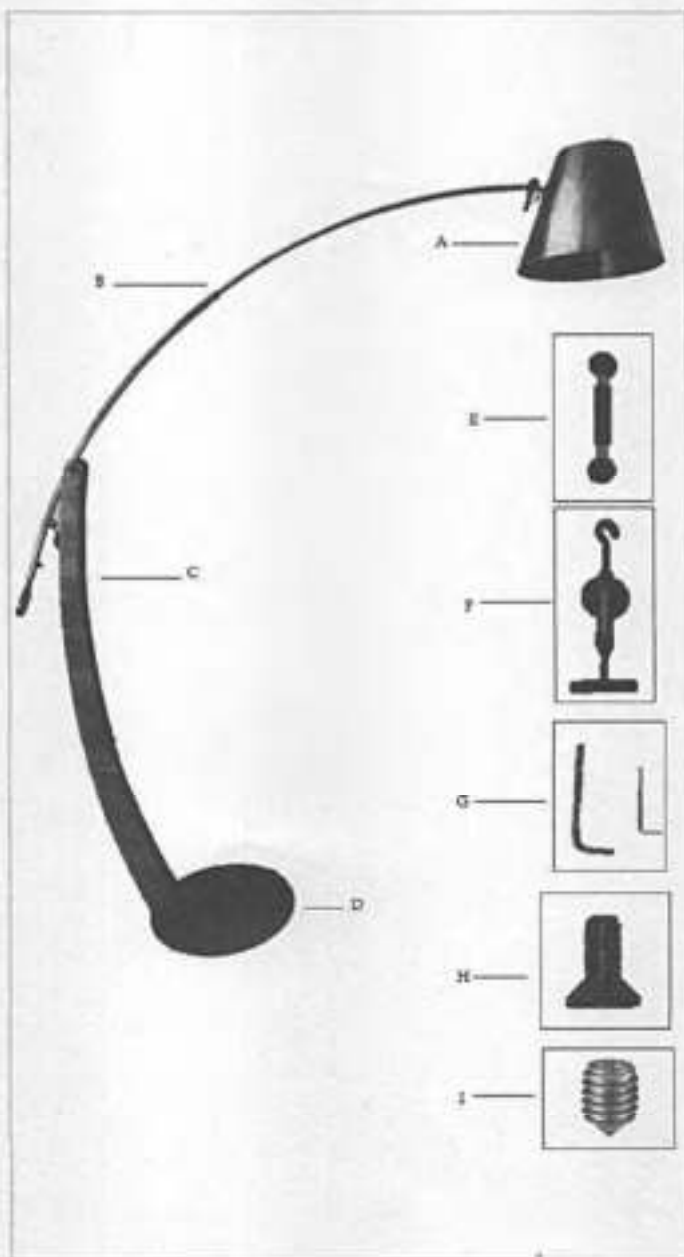
# ARCADIA FLOOR LAMP

# ARHAUS

your home

## parts enclosed:

- A - Shade
- B - Arm with cord
- C - Body
- D - Base
- E - Threaded rod with spheres
- F - Anchor hook
- G - Allen wrenches
- H - Screws for base
- I - Screws for arm



## important safety instructions:

1. We recommend installation by a licensed electrician.
2. To avoid the risk of fire, do not exceed the recommended wattage for this fixture.

Wattage: 60watt  
Type socket: E26

## warnings:

1. Do not remove the lamp from its packaging by pulling on the power cord, as a bad connection may result.
2. To avoid the risk of fire, electrical shock, or personal injury, turn off lamp and allow it to cool prior to replacing light bulb.
3. Do not touch bulb when fixture is turned on or look directly at it bulb.
4. Keep flammable materials away from lit bulb.

## to assemble:

Please follow detailed instructions on the following pages.

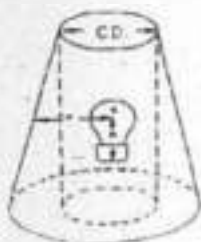
1. Attach body (C) to base (D) by tightening screws (H) with large Allen wrench (G).
2. Assemble arm (B) using the following steps.
3. Attach anchor hook (F) to arm (B).
4. To insert thinner square tube of arm (B) into larger square tube, place small screws (I) in the large tube.
5. Loosen cord locking screw with large Allen wrench (G).
6. Gently pull cord to allow thinner square tube of arm to properly insert into the correct position.
7. Tighten cord locking screw with large Allen wrench (G).
8. Tighten arm screws (I) with small Allen wrench (G).
9. Remove one sphere from threaded rod (E).
10. Remove sleeve from threaded rod (E).
11. Insert threaded rod (E) in holes in arm (B).
- 12 - 13. Insert anchor hook (F) on body (C).
- 14 - 17. Connect body (C) to arm (B) using threaded rod (E).
18. Remove threaded ring from socket.
19. Insert arm (B) and socket into hole on the side of the shade (A).
20. Tighten threaded ring on socket.

## care instructions:

Clean with dry soft cloth/brush only  
Do not use water/alcohol or any detergent

### WARNING

- PORTABLE LAMP N 66100596160 - 6610059L159
- TO BE USED ONLY WITH SHADE MODEL N. 66100596160 - 6610059L159
- ALWAYS USE AN OPEN-TOP AND OPEN-BOTTOM SHADE, AND MAKE SURE THAT THE TOP AND THE BOTTOM DIAMETER IS AT LEAST 4 1/2 INCHES WIDE.
- MAKE SURE THAT THE HORIZONTAL DISTANCE FROM THE CENTRE OF THE BULB TO THE SHADE IS AT LEAST 2 1/2 INCHES.



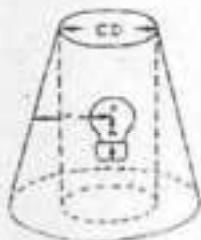
TYPE B LAMP

### CAUTION IMPORTANT SAFETY INSTRUCTION

THIS PORTABLE LAMP HAS A POLARIZED PLUG (ONE BLADE IS WIDER THAN THE OTHER). AS A FEATURE TO REDUCE THE RISK OF ELECTRIC SHOCK, THIS PLUG WILL FIT IN A POLARIZED OUTLET ONLY ONE WAY. IF THE PLUG STILL DOES NOT FIT FULLY IN THE OUTLET, REVERSE THE PLUG. IF IT STILL DOES NOT FIT, CONTACT A QUALIFIED ELECTRICIAN. NEVER USE WITH AN EXTENSION CORD UNLESS PLUG CAN BE FULLY INSERTED. DO NOT ALTER THE PLUG. IN CASE OF CHANGE OF THE ARTICLE, NOT PREVIOUSLY AUTHORIZED, THE UL CERTIFICATION WILL BE TERMINATED, IMMEDIATELY.

### ATTENTION

- LAMPE PORTABLE N. 66100596160 - 6610059L159
- À UTILISER UNIQUEMENT AVEC LE MODÈLE SHADE N 66100596160 - 6610059L159
- UTILISEZ TOUJOURS UNE TÔLE D'OUVERTURE ET D'OUVERTURE DE BOTTON ET ASSUREZ-VOUS QUE LE DIAMÈTRE SUPÉRIEUR ET LE DIÈMETRE INFÉRIEUR EST D'AU MOINS 4 1/2 POUÇES DE LARGEUR.
- S'ASSURER QUE LA DISTANCE HORIZONTALE DU CENTRE DE L'AMPOULE VERS L'OMBRE EST AU MOINS 2 1/2 POUÇES.



CATÉGORIE B LAMPE

### AVERTISSEMENT IMPORTANTE

#### INSTRUCTION DE SÉCURITÉ

CETTE LAMPE PORTABLE A UNE FICHE POLARISÉE (UNE LAME EST PLUS LARGE QUE L'AUTRE). COMME CARACTÉRISTIQUE DE RÉDUIRE LE RISQUE DE CHOC ÉLECTRIQUE, CETTE PLAQUE SERA FIXÉE DANS UNE SORTIE POLARISÉE UNIQUEMENT. SI LA FICHE N'EST PAS ENCORE EN FONCTIONNEMENT INTÉGRÉE DANS LA SORTIE, INVERSER LA FICHE. SI CELA NE S'APPLIQUE PAS, CONTACTEZ UN ÉLECTRICIEN QUALIFIÉ.

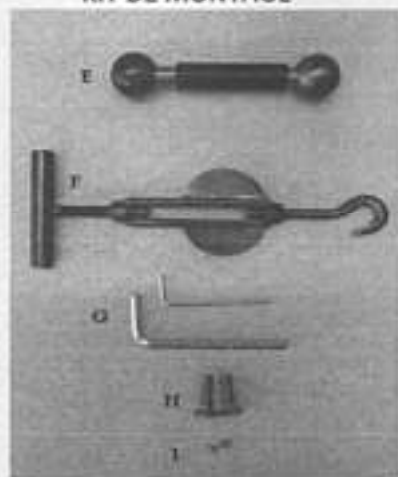
N'UTILISEZ JAMAIS AVEC UN CORD EXTENSION, À MOINS QUE LA FICHE PEUT ÊTRE INSÉRÉE ENTIÈREMENT. NE PAS MODIFIER LA FICHE. EN CAS DE CHANGEMENT DE L'ARTICLE, NON AUTORISÉ PRÉCÉDENT, LA CERTIFICATION UL SERA TERMINÉE, IMMÉDIATEMENT.

# ARHAUS®

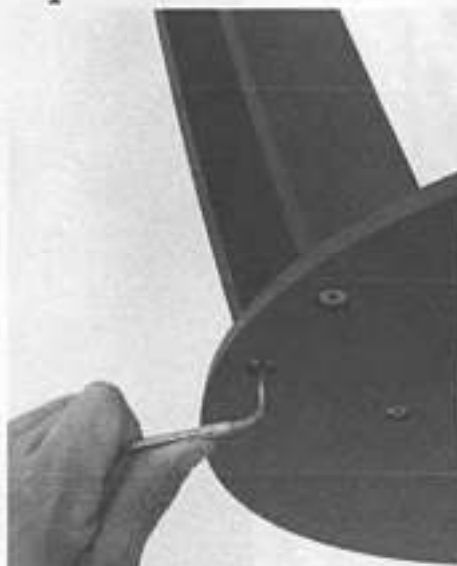
your home

## ASSEMBLY INSTRUCTIONS - INSTRUCTIONS D'ASSEMBLAGE

### ASSEMBLY KIT KIT DE MONTAGE



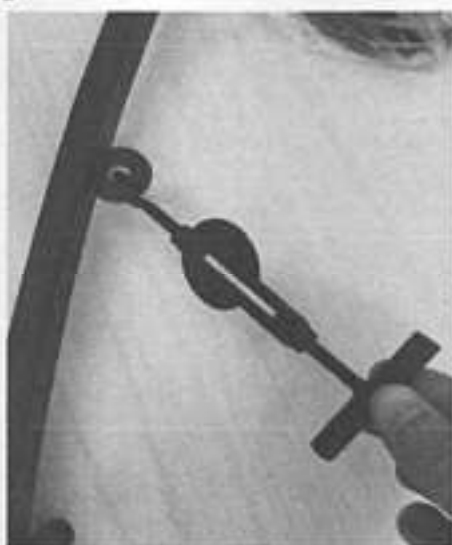
1



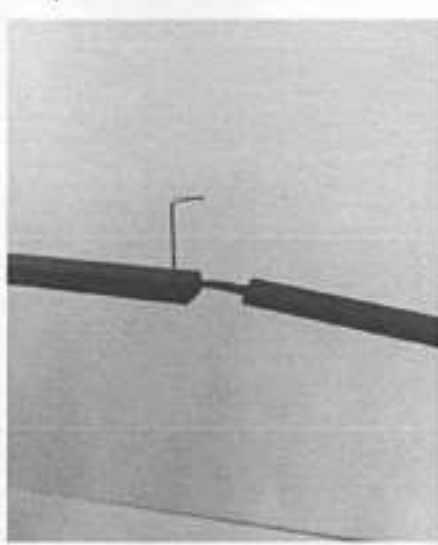
2



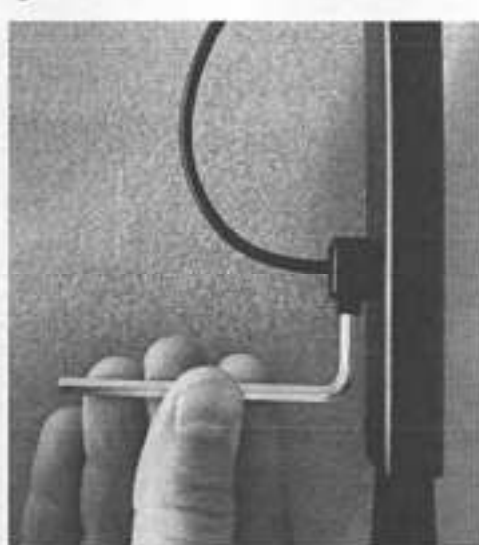
3



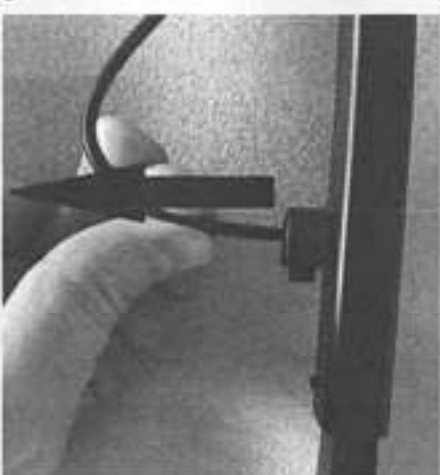
4



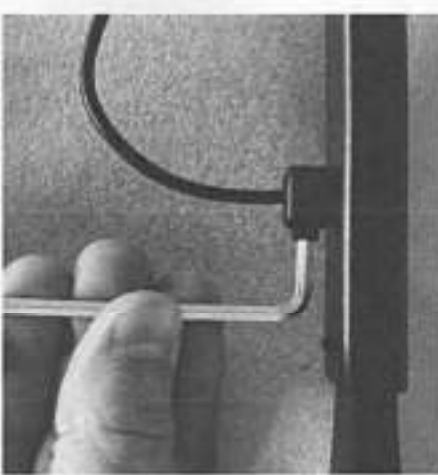
5



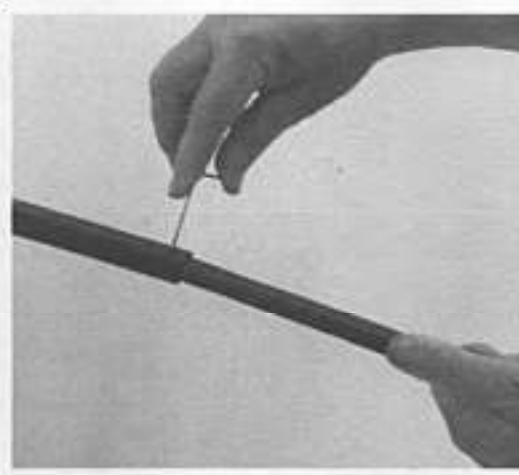
6



7



8



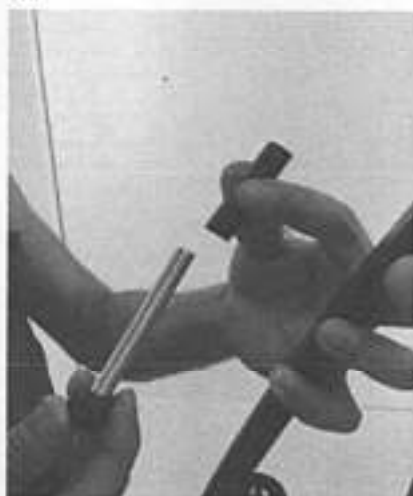
# ARHAUS®

your home

9



10



11



12



13



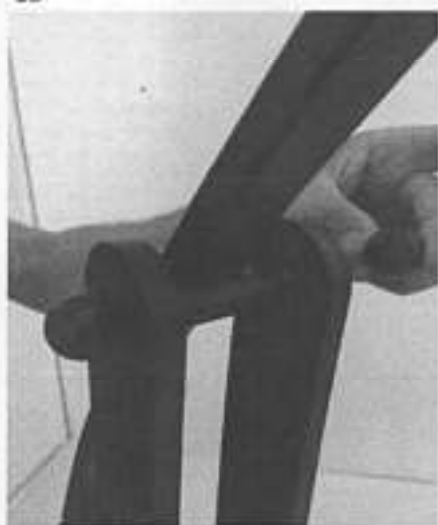
14



# ARHAUS®

your home

15



16



17



18



19



20





# ARCADIA TABLE LAMP

# ARHAUS

your home

## parts enclosed:

## important safety instructions:

1. We recommend installation by a licensed electrician.
2. To avoid the risk of fire, do not exceed the recommended wattage for this fixture.

Wattage: 7 watt led

Type socket: E12

## warnings:

1. Do not remove the lamp from its packaging by pulling on the power cord, as a bad connection may result.
2. To avoid the risk of fire, electrical shock, or personal injury, turn off lamp and allow it to cool prior to replacing light bulb.
3. Do not touch bulb when fixture is turned on or look directly at lit bulb.
4. Keep flammable materials away from lit bulb.

## to assemble:

Insert the polarized plug in the polarized outlet

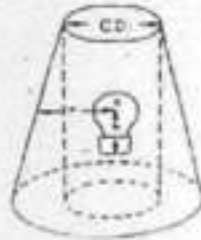


## care instructions:

Clean with dry soft cloth/brush only  
Do not use water/alcohol or any detergent

### WARNING

- PORTABLE LAMP N 6610059L162 - 6610059L161
- TO BE USED ONLY WITH SHADE MODEL N. 6610059L162 - 6610059L161
- ALWAYS USE AN OPEN-TOP AND OPEN-BOTTOM SHADE, AND MAKE SURE THAT THE TOP AND THE BOTTOM DIAMETER IS AT LEAST 4 1/2 INCHES WIDE.
- MAKE SURE THAT THE HORIZONTAL DISTANCE FROM THE CENTRE OF THE BULB TO THE SHADE IS AT LEAST 2 1/2 INCHES.



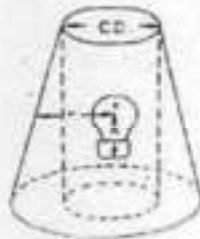
TYPE B LAMP

### CAUTION IMPORTANT SAFETY INSTRUCTION

THIS PORTABLE LAMP HAS A POLARIZED PLUG (ONE BLADE IS WIDER THAN THE OTHER) AS A FEATURE TO REDUCE THE RISK OF ELECTRIC SHOCK. THIS PLUG WILL FIT IN A POLARIZED OUTLET ONLY ONE WAY. IF THE PLUG STILL DOES NOT FIT FULLY IN THE OUTLET, REVERSE THE PLUG. IF IT STILL DOES NOT FIT, CONTACT A QUALIFIED ELECTRICIAN. NEVER USE WITH AN EXTENSION CORD UNLESS PLUG CAN BE FULLY INSERTED. DO NOT ALTER THE PLUG. IN CASE OF CHANGE OF THE ARTICLE, NOT PREVIOUSLY AUTHORIZED, THE UL CERTIFICATION WILL BE TERMINATED, IMMEDIATELY.

### ATTENTION

- LAMPE PORTABLE N. 6610059L162 - 6610059L161
- À UTILISER UNIQUEMENT AVEC LE MODÈLE SHADE N 6610059L162 - 6610059L161
- UTILISEZ TOUJOURS UNE TÔLE D'OUVERTURE ET D'OUVERTURE DE BOTTON ET ASSUREZ-VOUS QUE LE DIAMÈTRE SUPÉRIEUR ET LE DIAMÈTRE INFÉRIEUR EST D'AU MOINS 4 1/2 POUCES DE LARGEUR.
- S'ASSURER QUE LA DISTANCE HORIZONTALE DU CENTRE DE L'AMPOULE VERS L'OMBRE EST AU MOINS 2 1/2 POUCES.



CATÉGORIE B LAMPE

### AVERTISSEMENT IMPORTANTE

#### INSTRUCTION DE SÉCURITÉ

CETTE LAMPE PORTABLE A UNE FICHE POLARISÉE (UNE LAME EST PLUS LARGE QUE L'AUTRE). COMME CARACTÉRISTIQUE DE RÉDUIRE LE RISQUE DE CHOC ÉLECTRIQUE, CETTE PLAQUE SERA FIXÉE DANS UNE SORTIE POLARISÉE UNIQUEMENT. SI LA FICHE N'EST PAS ENCORE EN FONCTIONNEMENT INTÉGRÉE DANS LA SORTIE, INVERSER LA FICHE. SI CELA NE S'APPLIQUE PAS, CONTACTEZ UN ÉLECTRICIEN QUALIFIÉ. N'UTILISEZ JAMAIS AVEC UN COR EXTENSION, A MOINS QUE LA FICHE PEUT ÊTRE INSÉRÉE ENTIÈREMENT. NE PAS MODIFIER LA FICHE. EN CAS DE CHANGEMENT DE L'ARTICLE, NON AUTORISÉ PRÉCÉDENT, LA CERTIFICATION UL SERA TERMINÉE, IMMÉDIATEMENT.

# ARCADIA FLOOR LAMP

# ARHAUS®

your home

## parts enclosed:

- A - Shade
- B - Arm with cord
- C - Body
- D - Base
- E - Threaded rod with spheres
- F - Anchor hook
- G - Allen wrenches
- H - Screws for base
- I - Screws for arm



## important safety instructions:

1. We recommend installation by a licensed electrician.
2. To avoid the risk of fire, do not exceed the recommended wattage for this fixture.

Wattage: 7 watt led

Type socket: E26

## warnings:

1. Do not remove the lamp from its packaging by pulling on the power cord, as a bad connection may result.
2. To avoid the risk of fire, electrical shock, or personal injury, turn off lamp and allow it to cool prior to replacing light bulb.
3. Do not touch bulb when fixture is turned on or look directly at lit bulb.
4. Keep flammable materials away from lit bulb.

## to assemble:

Please follow detailed instructions on the following pages.

1. Attach body (C) to base (D) by tightening screws (H) with large Allen wrench (G).
2. Assemble arm (B) using the following steps.
3. Attach anchor hook (F) to arm (B).
4. To insert thinner square tube of arm (B) into larger square tube, place small screws (I) in the large tube.
5. Loosen cord locking screw with large Allen wrench (G).
6. Gently pull cord to allow thinner square tube of arm to properly insert into the correct position.
7. Tighten cord locking screw with large Allen wrench (G).
8. Tighten arm screws (I) with small Allen wrench (G).
9. Remove one sphere from threaded rod (E).
10. Remove sleeve from threaded rod (E).
11. Insert threaded rod (E) in holes in arm (B).
12. - 13. Insert anchor hook (F) on body (C).
14. - 17. Connect body (C) to arm (B) using threaded rod (E).
18. Remove threaded ring from socket.
19. Insert arm (B) and socket into hole on the side of the shade (A).
20. Tighten threaded ring on socket.

## care instructions:

Clean with dry soft cloth/brush only  
Do not use water/alcohol or any detergent

# ARCADIA FLOOR LAMP

# ARHAUS®

your home

## parts enclosed:

- A - Shade
- B - Arm with cord
- C - Body
- D - Base
- E - Threaded rod with spheres
- F - Anchor hook
- G - Allen wrenches
- H - Screws for base
- I - Screws for arm



## important safety instructions:

1. We recommend installation by a licensed electrician.
2. To avoid the risk of fire, do not exceed the recommended wattage for this fixture.

Wattage: 7 watt led

Type socket: E26

## warnings:

1. Do not remove the lamp from its packaging by pulling on the power cord, as a bad connection may result.
2. To avoid the risk of fire, electrical shock, or personal injury, turn off lamp and allow it to cool prior to replacing light bulb.
3. Do not touch bulb when fixture is turned on or look directly at lit bulb.
4. Keep flammable materials away from lit bulb.

## to assemble:

Please follow detailed instructions on the following pages.

1. Attach body (C) to base (D) by tightening screws (H) with large Allen wrench (G).
2. Assemble arm (B) using the following steps.
3. Attach anchor hook (F) to arm (B).
4. To insert thinner square tube of arm (B) into larger square tube, place small screws (I) in the large tube.
5. Loosen cord locking screw with large Allen wrench (G).
6. Gently pull cord to allow thinner square tube of arm to properly insert into the correct position.
7. Tighten cord locking screw with large Allen wrench (G).
8. Tighten arm screws (I) with small Allen wrench (G).
9. Remove one sphere from threaded rod (E).
10. Remove sleeve from threaded rod (E).
11. Insert threaded rod (E) in holes in arm (B).
12. - 13. Insert anchor hook (F) on body (C).
14. - 17. Connect body (C) to arm (B) using threaded rod (E).
18. Remove threaded ring from socket.
19. Insert arm (B) and socket into hole on the side of the shade (A).
20. Tighten threaded ring on socket.

## care instructions:

Clean with dry soft cloth/brush only  
Do not use water/alcohol or any detergent

## ARCHARD BRASS TABLE LAMP

**parts enclosed:**

- A. Finial (1)
- B. Shade (1)

**important safety instructions:**

1. To avoid the risk of fire, do not exceed the recommended wattage for this fixture.

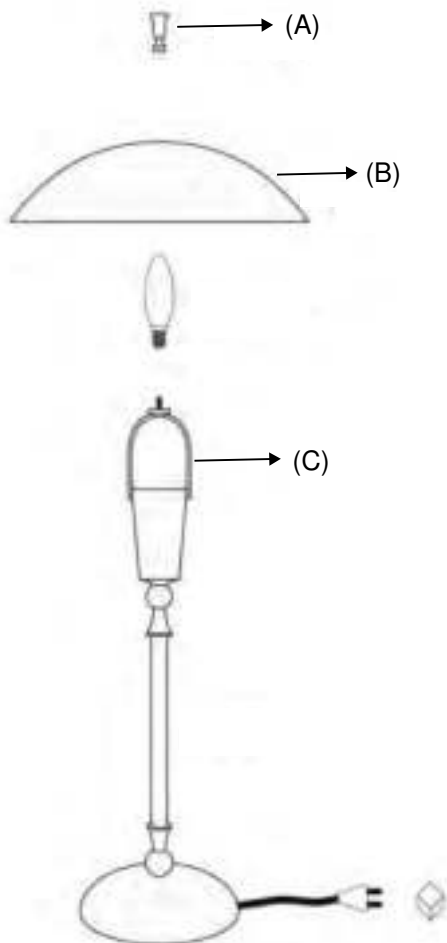
UL NO: E310644, UL RATING: DRY, MAX LED WATTAGE:12W  
BULB: 1 X A-19 (NOT INCLUDED)

**warnings:**

1. Do not remove the lamp from its packaging by pulling on the power cord, as a bad connection may result.
2. To avoid the risk of fire, electrical shock, or personal injury, turn off lamp and allow it to cool prior to replacing light bulb.
3. Do not touch bulb when fixture is turned on or look directly at lit bulb.
4. Keep flammable materials away from lit bulb.

**to assemble:**

1. Carefully remove all parts from the box and remove all protective coverings.
2. Turn OFF power to the circuit breaker where the lamp will be installed.
3. Unscrew finial (A) place shade (B) on harp (C) and tighten finial (A) to harp (C).
4. Restore power to the circuit breaker and test lamp fixture.

**care instructions:**

Do not use polishes or cleaners on your lamp. Just wipe with soft, lint free cloth.

## ARCHARD BRONZE TABLE LAMP

**parts enclosed:**

- A. Finial (1)
- B. Shade (1)

**important safety instructions:**

1. To avoid the risk of fire, do not exceed the recommended wattage for this fixture.

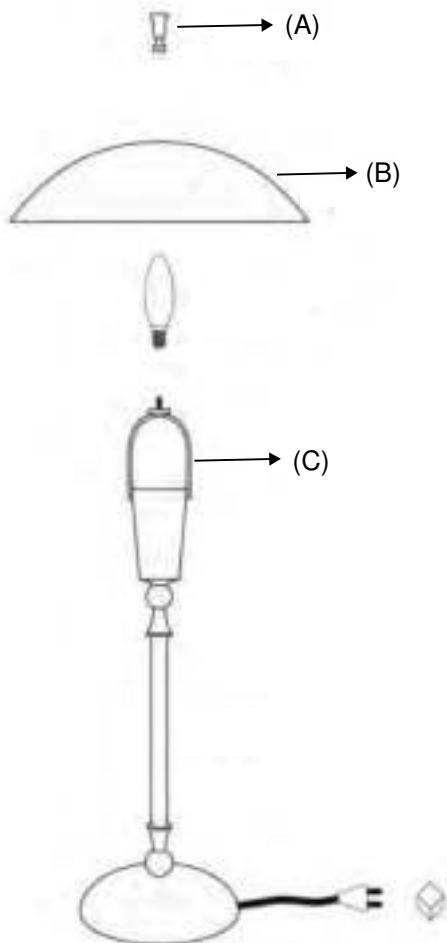
UL NO: E310644, UL RATING: DRY, MAX LED WATTAGE:12W  
BULB: 1 X A-19 (NOT INCLUDED)

**warnings:**

1. Do not remove the lamp from its packaging by pulling on the power cord, as a bad connection may result.
2. To avoid the risk of fire, electrical shock, or personal injury, turn off lamp and allow it to cool prior to replacing light bulb.
3. Do not touch bulb when fixture is turned on or look directly at lit bulb.
4. Keep flammable materials away from lit bulb.

**to assemble:**

1. Carefully remove all parts from the box and remove all protective coverings.
2. Turn OFF power to the circuit breaker where the lamp will be installed.
3. Unscrew finial (A) place shade (B) on harp (C) and tighten finial (A) to harp (C).
4. Restore power to the circuit breaker and test lamp fixture.

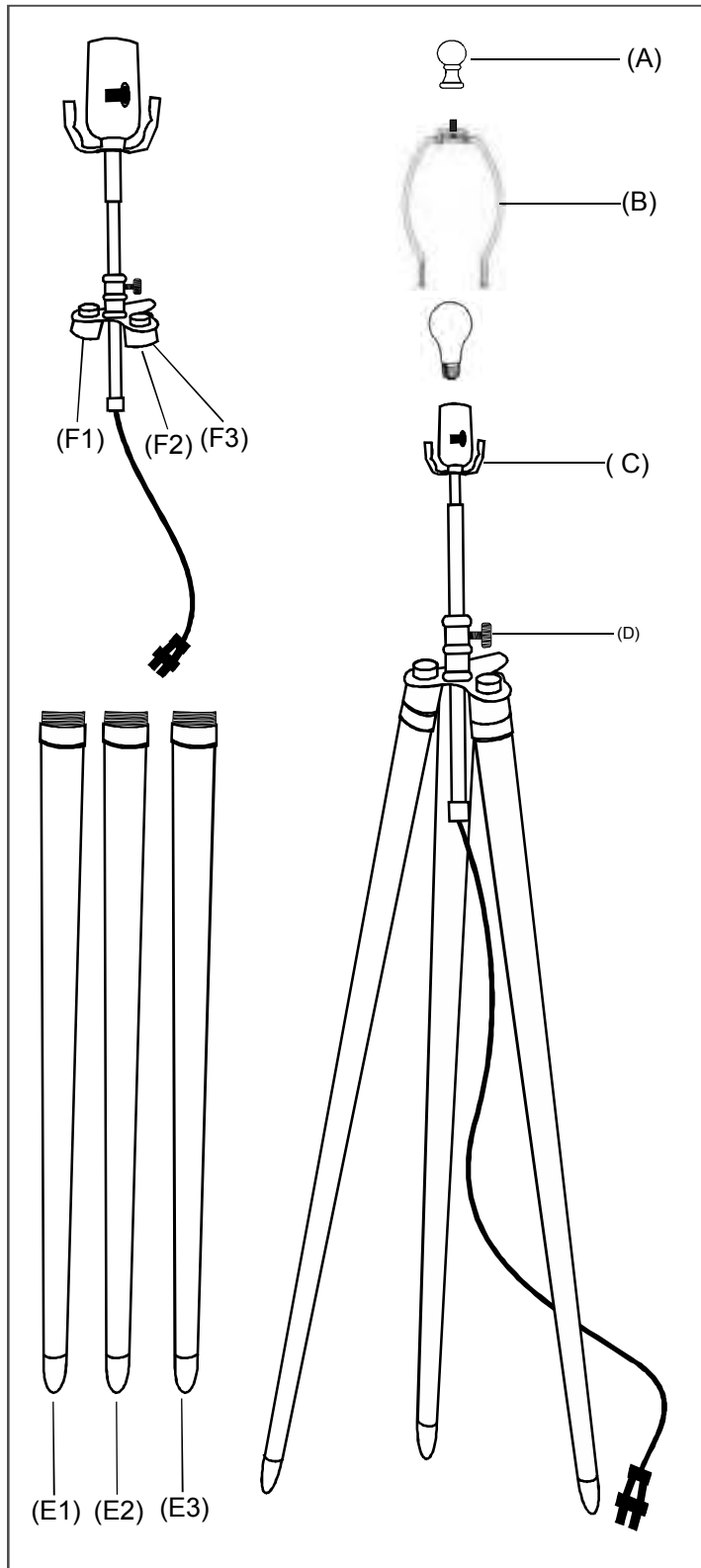
**care instructions:**

Do not use polishes or cleaners on your lamp. Just wipe with soft, lint free cloth.

## 662889L673B ARIANA BR FLOOR LAMP BASE

## Parts Enclosed:

- A) Finial
- B) Harp
- C) Saddle
- D) Knob
- E) Acrylic Legs (E1,E2,E3)
- F) Metal Cuffs (F1,F2,F3)



## Important Safety Instruction:

1. We recommend installation by a licensed electrician.
2. To avoid the risk of fire, do not exceed the recommended wattage for this fixture.

UL NO-E194404, UL Rating: Dry, Bulb Wattage: 100 W  
 conversion to max 23W SBCFL OR 9W SBLED  
 Bulb: 1x Type A (Not included)

## Warnings:

1. Do not remove the lamp from its packaging by pulling on the power cord, as a bad connection may result.
2. To avoid the risk of fire, electrical shock, or personal injury, turn off lamp and allow it to cool prior to replacing the light bulb.
3. Do not touch the bulb when fixture is turned on or look directly at lit bulb.
4. Keep flammable material away from lit bulb

## To Assemble:

1. Carefully remove all the parts from the box and remove all the protective coverings.
2. Turn OFF the power to the circuit breaker where the lamp will be installed.
3. Gently tighten Acrylic Legs (E1,E2,E3) into clockwise direction on the Metal Cuffs (F1,F2,F3) until it secure.
4. Attach the Harp (B) to the Saddle (C)
5. Unscrew Finial (A) and place Shade on harp (B) and tighten finial (A) to harp (B).
6. Lamp height can be adjusted with the help of Knob (D).
7. Restore the power to the circuit breaker and test lamp fixture.

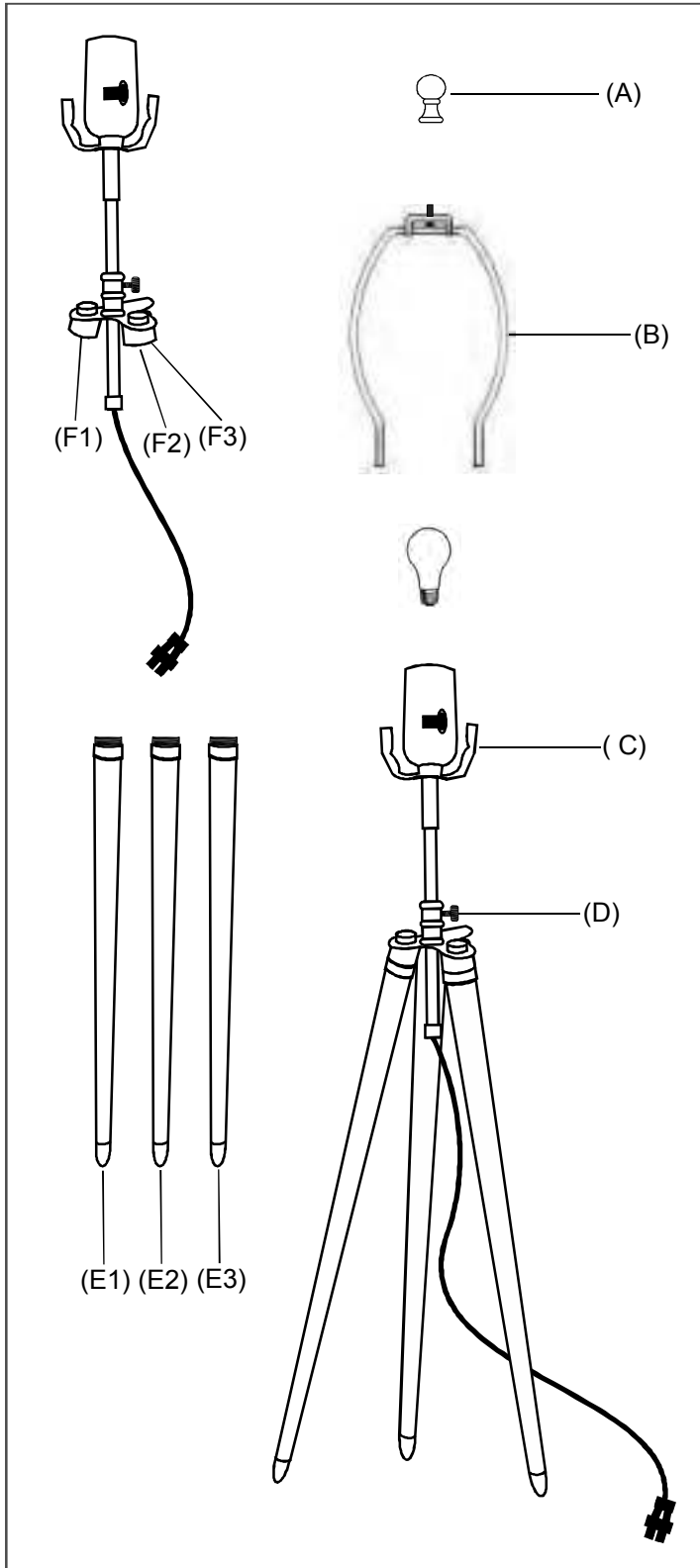
## Care Instructions:

DO NOT use polishes or cleaners on your lamp.  
 Wipe with soft, lint free cloth.

## 662889L671B ARIANA BR TABLE LAMP BASE

## Parts Enclosed:

- A) Finial
- B) Harp
- C) Saddle
- D) Knob
- E) Acrylic Legs (E1,E2,E3)
- F) Metal Cuffs (F1,F2,F3)



## Important Safety Instruction:

1. We recommend installation by a licensed electrician.
2. To avoid the risk of fire, do not exceed the recommended wattage for this fixture.

UL NO-E194404, UL Rating: Dry, Bulb Wattage: 100 W  
conversion to max 23W SBCFL OR 9W SBLED  
Bulb: 1x Type A (Not included)

## Warnings:

1. Do not remove the lamp from its packaging by pulling on the power cord, as a bad connection may result.
2. To avoid the risk of fire, electrical shock, or personal injury, turn off lamp and allow it to cool prior to replacing the light bulb.
3. Do not touch the bulb when fixture is turned on or look directly at lit bulb.
4. Keep flammable material away from lit bulb

## To Assemble:

1. Carefully remove all the parts from the box and remove all the protective coverings.
2. Turn OFF the power to the circuit breaker where the lamp will be installed.
3. Gently tighten Acrylic Legs (E1,E2,E3) into clockwise direction on the Metal Cuffs (F1,F2,F3) until it secure.
4. Attach the Harp (B) to the Saddle (C)
5. Unscrew Finial (A) and place Shade on harp (B) and tighten finial (A) to harp (B).
6. Lamp height can be adjusted with the help of Knob (D).
7. Restore the power to the circuit breaker and test lamp fixture.

## Care Instructions:

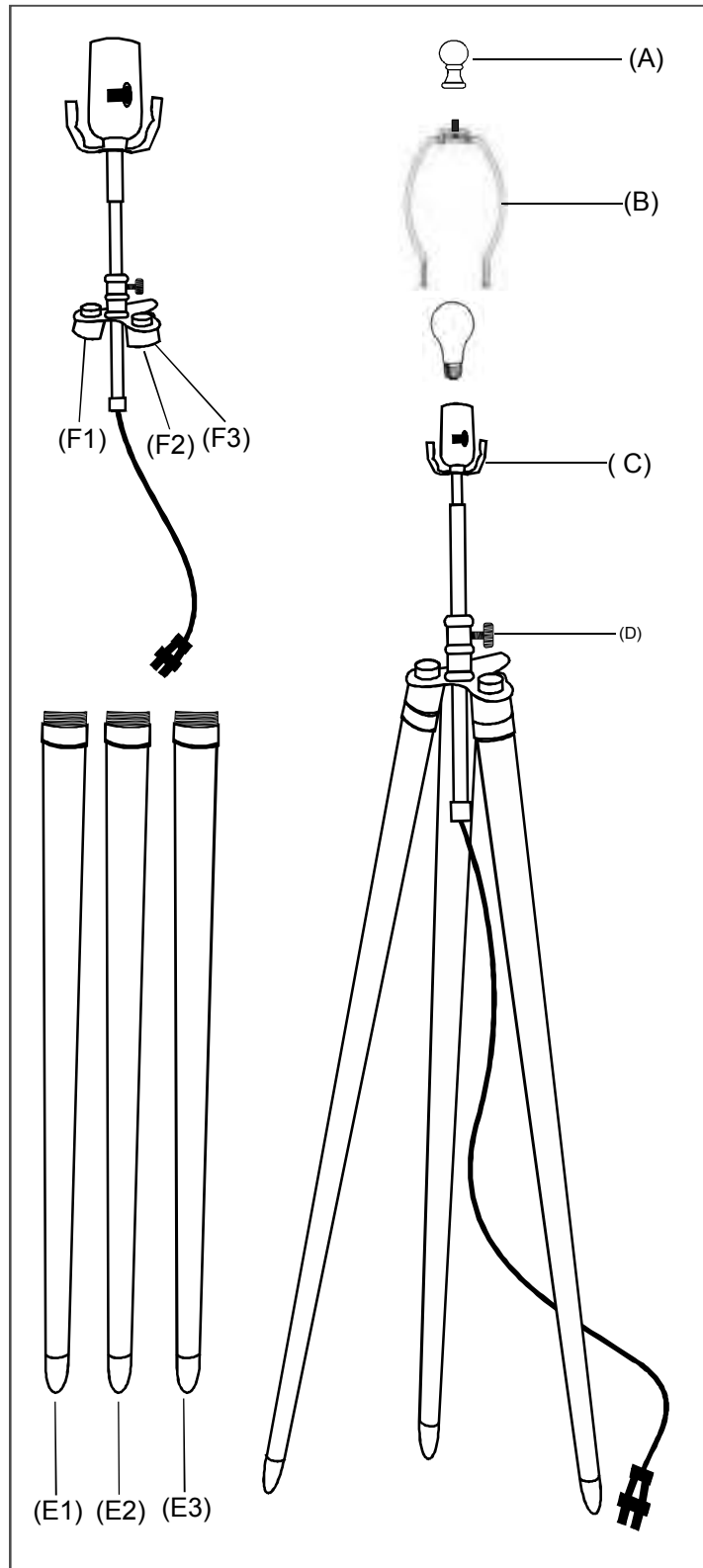
DO NOT use polishes or cleaners on your lamp.  
Wipe with soft, lint free cloth.



## 662889L674B ARIANA NK FLOOR LAMP BASE

## Parts Enclosed:

- A) Finial
- B) Harp
- C) Saddle
- D) Knob
- E) Acrylic Legs (E1,E2,E3)
- F) Metal Cuffs (F1,F2,F3)



## Important Safety Instruction:

1. We recommend installation by a licensed electrician.
2. To avoid the risk of fire, do not exceed the recommended wattage for this fixture.

UL NO-E194404, UL Rating: Dry, Bulb Wattage: 100 W  
 conversion to max 23W SBCFL OR 9W SBLED  
 Bulb: 1x Type A (Not included)

## Warnings:

1. Do not remove the lamp from its packaging by pulling on the power cord, as a bad connection may result.
2. To avoid the risk of fire, electrical shock, or personal injury, turn off lamp and allow it to cool prior to replacing the light bulb.
3. Do not touch the bulb when fixture is turned on or look directly at lit bulb.
4. Keep flammable material away from lit bulb

## To Assemble:

1. Carefully remove all the parts from the box and remove all the protective coverings.
2. Turn OFF the power to the circuit breaker where the lamp will be installed.
3. Gently tighten Acrylic Legs (E1,E2,E3) into clockwise direction on the Metal Cuffs (F1,F2,F3) until it secure.
4. Attach the Harp (B) to the Saddle (C)
5. Unscrew Finial (A) and place Shade on harp (B) and tighten finial (A) to harp (B).
6. Lamp height can be adjusted with the help of Knob (D).
7. Restore the power to the circuit breaker and test lamp fixture.

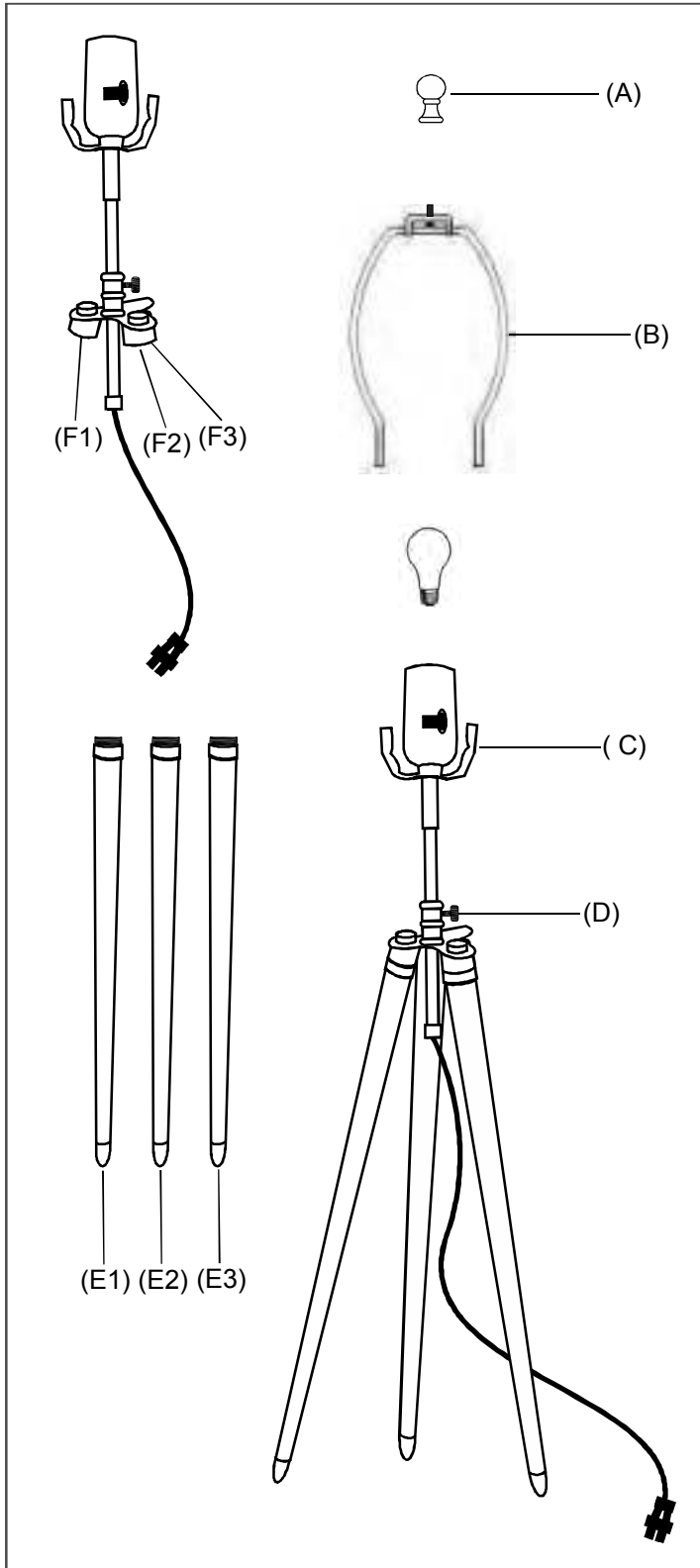
## Care Instructions:

DO NOT use polishes or cleaners on your lamp.  
 Wipe with soft, lint free cloth.

## 662889L672B ARIANA NK TABLE LAMP BASE

## Parts Enclosed:

- A) Finial
- B) Harp
- C) Saddle
- D) Knob
- E) Acrylic Legs (E1,E2,E3)
- F) Metal Cuffs (F1,F2,F3)



## Important Safety Instruction:

1. We recommend installation by a licensed electrician.
2. To avoid the risk of fire, do not exceed the recommended wattage for this fixture.

UL NO-E194404, UL Rating: Dry, Bulb Wattage: 100 W  
conversion to max 23W SBCFL OR 9W SBLED  
Bulb: 1x Type A (Not included)

## Warnings:

1. Do not remove the lamp from its packaging by pulling on the power cord, as a bad connection may result.
2. To avoid the risk of fire, electrical shock, or personal injury, turn off lamp and allow it to cool prior to replacing the light bulb.
3. Do not touch the bulb when fixture is turned on or look directly at lit bulb.
4. Keep flammable material away from lit bulb

## To Assemble:

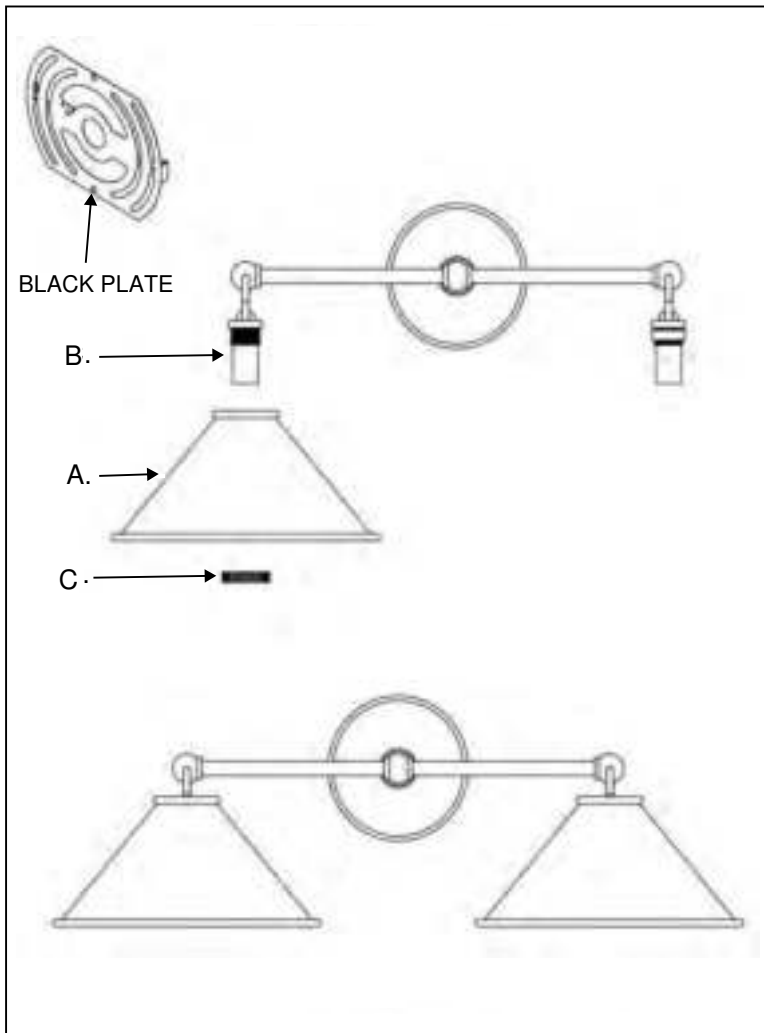
1. Carefully remove all the parts from the box and remove all the protective coverings.
2. Turn OFF the power to the circuit breaker where the lamp will be installed.
3. Gently tighten Acrylic Legs (E1,E2,E3) into clockwise direction on the Metal Cuffs (F1,F2,F3) until it secure.
4. Attach the Harp (B) to the Saddle (C)
5. Unscrew Finial (A) and place Shade on harp (B) and tighten finial (A) to harp (B).
6. Lamp height can be adjusted with the help of Knob (D).
7. Restore the power to the circuit breaker and test lamp fixture.

## Care Instructions:

DO NOT use polishes or cleaners on your lamp.  
Wipe with soft, lint free cloth.

**ARNO BLACK 2-LT SCONCE****parts enclosed:**

- A. Shade (2)
- B. Socket Cover
- C. Socket Cover Ring

**important safety instructions:**

1. We recommend installation by a licensed electrician.
2. To avoid the risk of fire, do not exceed the recommended wattage for this fixture.

UL NO:E491659 UL RATING:DAMP, MAX BULB WATTAGE:2X40W  
 CONVERSION TO MAX LED WATTAGE: 4-5W  
 BULB: 2 X B-10 (NOT INCLUDED)

**warnings:**

1. Do not remove the lamp from its packaging by pulling on the power cord, as a bad connection may result.
2. To avoid the risk of fire, electrical shock, or personal injury, turn off lamp and allow it to cool prior to replacing light bulb.
3. Do not touch bulb when fixture is turned on or look directly at lit bulb.
4. Keep flammable materials away from lit bulb.

**to assemble:**

1. Carefully remove all parts from the box and remove all protective coverings.
2. Turn OFF power to the circuit breaker where the wall sconce be installed.
3. Remove back plate from base & fix it onto wall with screws.
4. After fixing back plate onto outlet, fix the wall sconce through base.
5. Attach shade (A) to socket cover (B) by removing socket cover ring (C) re fix socket cover ring (C) after shade attached.
6. Restore power to the circuit breaker and test wall sconce.

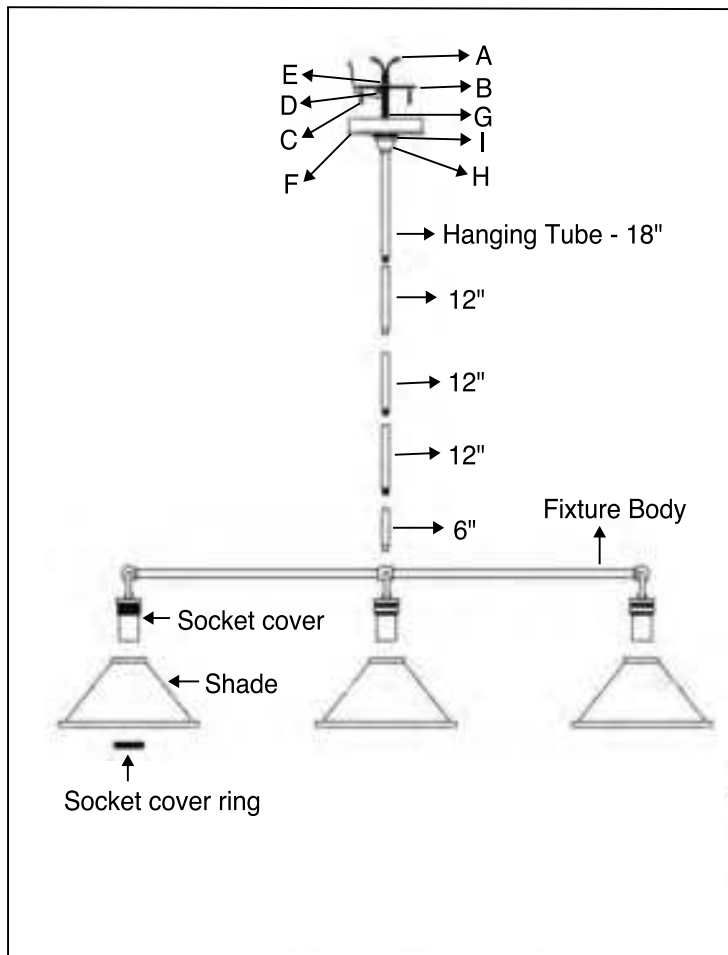
**care instructions:**

DO NOT use polishes or cleaners on your lamp. Wipe with soft, lint free cloth.

## ARNO BLACK 3-LT CHANDELIER

## parts enclosed:

- A. Wire connectors (2)
- B. Mounting plate (1)
- C. Mounting screw (2)
- D. Green ground screw (1)
- E. Hex nut (1)
- F. Canopy (1)
- G. Threaded tube (5)
- H. Screw collar (1)
- I. Lock ring (1)
- J. Hanging tube (5)
  - 6" - (1)
  - 12" - (3)
  - 18" - (1)
- K. Fixture body (1)
- L. Shade (3)



## important safety instructions:

1. We recommend installation by a licensed electrician.
2. To avoid the risk of fire, do not exceed the recommended wattage for this fixture.

UL NO:E491659 UL RATING:DAMP, MAX BULB WATTAGE:3X40W  
CONVERSION TO MAX LED WATTAGE: 12 W

BULB: 3 X A-19 (NOT INCLUDED)

## warnings:

1. Do not remove the lamp from its packaging by pulling on the power cord, as a bad connection may result.
2. To avoid the risk of fire, electrical shock, or personal injury, turn off lamp and allow it to cool prior to replacing light bulb.
3. Do not touch bulb when fixture is turned on or look directly at lit bulb.
4. Keep flammable materials away from lit bulb.

## to assemble:

1. Attach the mounting plate (B) to the ceiling outlet box using the enclosed mounting screws (C) and tighten with a screwdriver. The green ground screw (D) should face the floor.
2. Remove the threaded tube (G) from the screw collar with loop (H) screw the threaded tube (G) into the mounting plate (B) fully.
3. Place the canopy (F) over the screw collar with loop (H) and screw into the threading on the screw collar with loop (H) extends beyond the canopy (F).
4. Remove the canopy (F) and screw collar with loop (H) from the threaded tube (G) fix the threaded tube (G) by tightening the hex nut (E) to sit flush against the mounting plate (B).
5. Thread the screw collar with loop (H) back into the threaded tube (G) install canopy (F) by tightening the lock ring (I) on the screw collar with loop (H).



**IT IS IMPERATIVE THAT THE OUTLET BOX IN YOUR HOME BE PROPERLY GROUNDED**

6. Attach hanging tube (J) to the screw collar and fixture body.
7. Unscrew the lock ring (I) from the screw collar (H) allow the lock ring (I) and canopy (F) to slide down the hanging tube (J) to the fixture body.
8. Attach shade (L) to fixture body (K) by removing socket cover ring, Re fix socket cover ring after shade attached.
9. Thread wires through fixture. Carefully inspect the fixtures wires.
10. Gently pull the wiring down from the ceiling junction box and allow it to hang.
11. Attach the ground wire from the fixture to the ground junction box wire from the ceiling box (usually green) using a wire connector (A) and wrap the connection with electrical tape. Be sure that no wire, insert the green ground screw (D) into the mounting plate (B) facing down, and wrap the fixture's ground wire around the ground screw.
12. Connect the neutral fixture wire to the neutral junction box wire. Fasten each together with a wire connector (A) and wrap the connection with electrical tape. Be sure that no wire strands are exposed.
13. Connect the hot fixture wire to the hot junction box wire. fasten each together with a wire connector (A) and wrap the connection with electrical tape.



**DO NOT REVERSE THE HOT AND NEUTRAL CONNECTIONS OR SAFETY WILL BE COMPROMISED**

14. After all connection are make, tuck all wiring into the ceiling junction box. Cover the ceiling junction box with the canopy (F), then lock with the lock ring (I).
15. Insert bulb A19 Do Not exceed specified wattage.
16. Restore power to the outlet box and check operation of fixture.

### **care instructions:**

DO NOT use polishes or Cleaners on your lamp. Wipe with soft, lint free cloth.





**DO NOT REVERSE THE HOT AND NEUTRAL CONNECTIONS OR SAFETY WILL BE COMPROMISED**

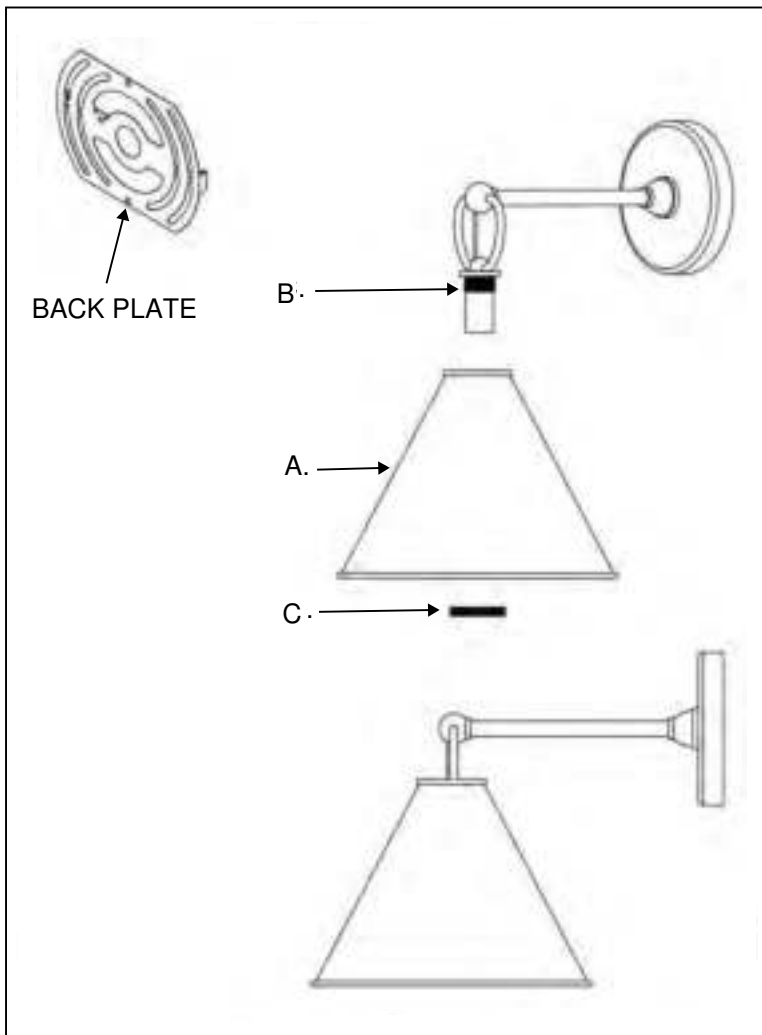
14. After all connection are make, tuck all wiring into the ceiling junction box. Cover the ceiling junction box with the canopy (F), then lock with the lock ring (I).
15. Insert bulb A19 Do Not exceed specified wattage.
16. Restore power to the outlet box and check operation of fixture.

### **care instructions:**

DO NOT use polishes or Cleaners on your lamp. Wipe with soft, lint free cloth.

**ARNO BLACK WALL SCONCE****parts enclosed:**

- A. Shade (1)
- B. Socket Cover
- C. Socket Cover Ring

**important safety instructions:**

1. We recommend installation by a licensed electrician.
2. To avoid the risk of fire, do not exceed the recommended wattage for this fixture.

UL NO:E491659 UL RATING:DAMP, MAX BULB WATTAGE: 40 W /  
 CONVERSION TO MAX LED WATTAGE: 4-5 W  
 BULB: 1 X B-10 (NOT INCLUDED)

**warnings:**

1. Do not remove the lamp from its packaging by pulling on the power cord, as a bad connection may result.
2. To avoid the risk of fire, electrical shock, or personal injury, turn off lamp and allow it to cool prior to replacing light bulb.
3. Do not touch bulb when fixture is turned on or look directly at lit bulb.
4. Keep flammable materials away from lit bulb.

**to assemble:**

1. Carefully remove all parts from the box and remove all protective coverings.
2. Turn OFF power to the circuit breaker where the wall sconce be installed.
3. Remove back plate from base & fix it onto wall with screws.
4. After fixing back plate onto outlet, fix the wall sconce through base.
5. Attach shade (A) to socket cover (B) by removing socket cover ring (C) re fix socket cover ring (C) after shade attached.
6. Restore power to the circuit breaker and test wall sconce.

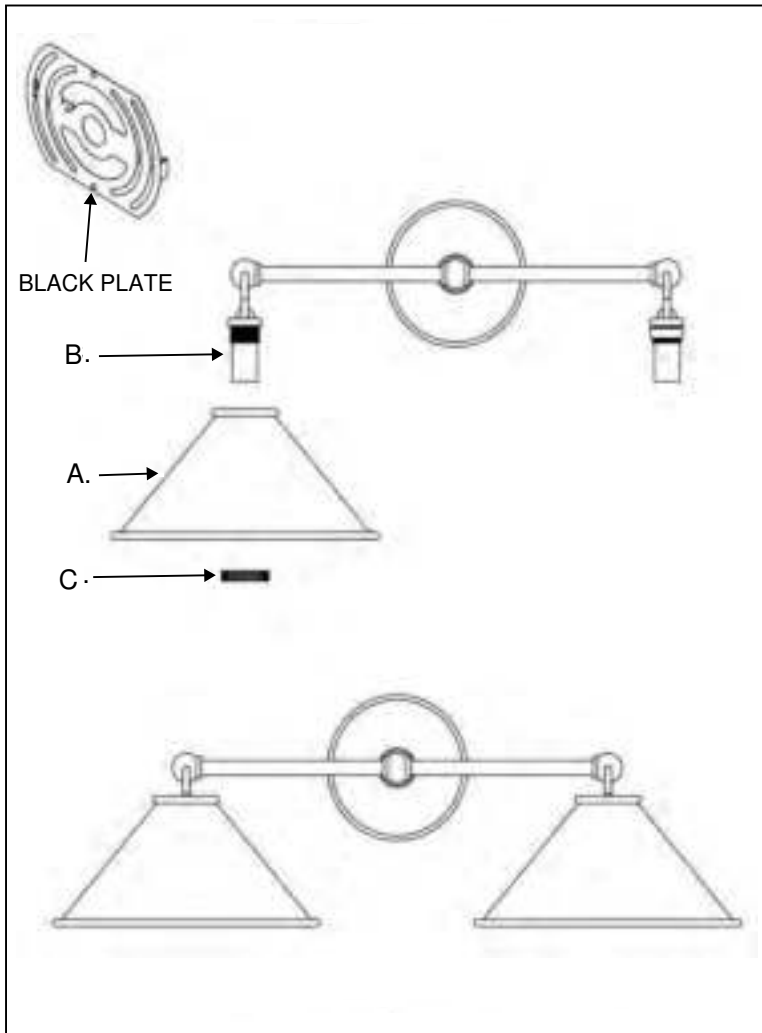
**care instructions:**

DO NOT use polishes or Cleaners on your lamp. Wipe with soft, lint free cloth.



**ARNO WHITE 2-LT SCONCE****parts enclosed:**

- A. Shade (2)
- B. Socket Cover
- C. Socket Cover Ring

**important safety instructions:**

1. We recommend installation by a licensed electrician.
2. To avoid the risk of fire, do not exceed the recommended wattage for this fixture.

UL NO:E491659 UL RATING:DAMP, MAX BULB WATTAGE:2X40W  
 CONVERSION TO MAX LED WATTAGE: 4-5W  
 BULB: 2 X B-10 (NOT INCLUDED)

**warnings:**

1. Do not remove the lamp from its packaging by pulling on the power cord, as a bad connection may result.
2. To avoid the risk of fire, electrical shock, or personal injury, turn off lamp and allow it to cool prior to replacing light bulb.
3. Do not touch bulb when fixture is turned on or look directly at lit bulb.
4. Keep flammable materials away from lit bulb.

**to assemble:**

1. Carefully remove all parts from the box and remove all protective coverings.
2. Turn OFF power to the circuit breaker where the wall sconce be installed.
3. Remove back plate from base & fix it onto wall with screws.
4. After fixing back plate onto outlet, fix the wall sconce through base.
5. Attach shade (A) to socket cover (B) by removing socket cover ring (C) re fix socket cover ring (C) after shade attached.
6. Restore power to the circuit breaker and test wall sconce.

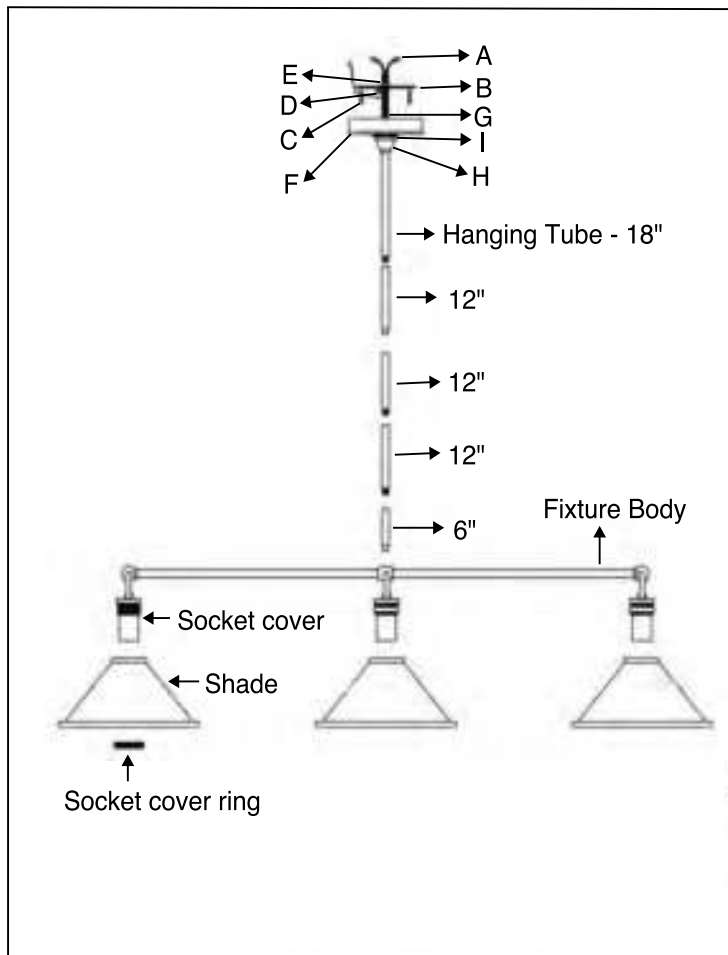
**care instructions:**

DO NOT use polishes or Cleaners on your lamp. Wipe with soft, lint free cloth.

## ARNO WHITE 3-LT CHANDELIER

### parts enclosed:

- A. Wire connectors (2)
- B. Mounting plate (1)
- C. Mounting screw (2)
- D. Green ground screw (1)
- E. Hex nut (1)
- F. Canopy (1)
- G. Threaded tube (5)
- H. Screw collar (1)
- I. Lock ring (1)
- J. Hanging tube (5)
  - 6" - (1)
  - 12" - (3)
  - 18" - (1)
- K. Fixture body (1)
- L. Shade (3)



### important safety instructions:

1. We recommend installation by a licensed electrician.
2. To avoid the risk of fire, do not exceed the recommended wattage for this fixture.

UL NO:E491659 UL RATING:DAMP, MAX BULB WATTAGE:3X40W  
CONVERSION TO MAX LED WATTAGE: 12 W

BULB: 3 X A-19 (NOT INCLUDED)

### warnings:

1. Do not remove the lamp from its packaging by pulling on the power cord, as a bad connection may result.
2. To avoid the risk of fire, electrical shock, or personal injury, turn off lamp and allow it to cool prior to replacing light bulb.
3. Do not touch bulb when fixture is turned on or look directly at lit bulb.
4. Keep flammable materials away from lit bulb.

### to assemble:

1. Attach the mounting plate (B) to the ceiling outlet box using the enclosed mounting screws (C) and tighten with a screwdriver. The green ground screw (D) should face the floor.
2. Remove the threaded tube (G) from the screw collar with loop(H) screw the threaded tube (G) into the mounting plate (B) fully.
3. Place the canopy (F) over the screw collar with loop (H) and screw into the threading on the screw collar with loop (H) extends beyond the canopy (F).
4. Remove the canopy (F) and screw collar with loop (H) from the threaded tube (G) fix the threaded tube (G) by tightening the hex nut (E) to sit flush against the mounting plate (B).
5. Thread the screw collar with loop (H) back into the threaded tube (G) install canopy (F) by tightening the lock ring (I) on the screw collar with loop (H).



**IT IS IMPERATIVE THAT THE OUTLET BOX IN YOUR HOME BE PROPERLY GROUNDED**

6. Attach hanging tube (J) to the screw collar and fixture body.
7. Unscrew the lock ring (I) from the screw collar (H) allow the lock ring (I) and canopy (F) to slide down the hanging tube (J) to the fixture body.
8. Attach shade (L) to fixture body (K) by removing socket cover ring, Re fix socket cover ring after shade attached.
9. Thread wires through fixture. Carefully inspect the fixtures wires.
10. Gently pull the wiring down from the ceiling junction box and allow it to hang.
11. Attach the ground wire from the fixture to the ground junction box wire from the ceiling box (usually green) using a wire connector (A) and wrap the connection with electrical tape. Be sure that no wire, insert the green ground screw (D) into the mounting plate (B) facing down, and wrap the fixture's ground wire around the ground screw.
12. Connect the neutral fixture wire to the neutral junction box wire. Fasten each together with a wire connector (A) and wrap the connection with electrical tape. Be sure that no wire strands are exposed.
13. Connect the hot fixture wire to the hot junction box wire. fasten each together with a wire connector (A) and wrap the connection with electrical tape.



**DO NOT REVERSE THE HOT AND NEUTRAL CONNECTIONS OR SAFETY WILL BE COMPROMISED**

14. After all connection are make, tuck all wiring into the ceiling junction box. Cover the ceiling junction box with the canopy (F), then lock with the lock ring (I).
15. Insert bulb A19 Do Not exceed specified wattage.
16. Restore power to the outlet box and check operation of fixture.

### **care instructions:**

DO NOT use polishes or Cleaners on your lamp. Wipe with soft, lint free cloth.





**DO NOT REVERSE THE HOT AND NEUTRAL CONNECTIONS OR SAFETY WILL BE COMPROMISED**

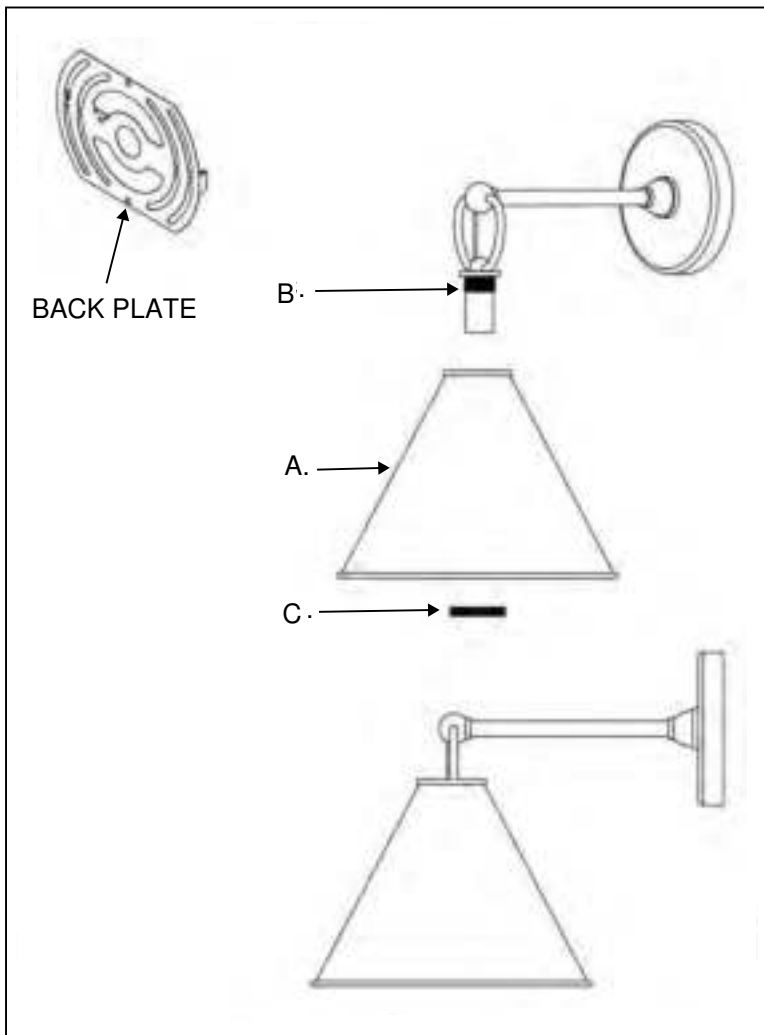
14. After all connection are make, tuck all wiring into the ceiling junction box. Cover the ceiling junction box with the canopy (F), then lock with the lock ring (I).
15. Insert bulb A19 Do Not exceed specified wattage.
16. Restore power to the outlet box and check operation of fixture.

### **care instructions:**

DO NOT use polishes or Cleaners on your lamp. Wipe with soft, lint free cloth.

**ARNO WHITE WALL SCONCE****parts enclosed:**

- A. Shade (1)
- B. Socket Cover
- C. Socket Cover Ring

**important safety instructions:**

1. We recommend installation by a licensed electrician.
2. To avoid the risk of fire, do not exceed the recommended wattage for this fixture.

UL NO:E491659 UL RATING:DAMP, MAX BULB WATTAGE: 40 W /  
 CONVERSION TO MAX LED WATTAGE: 4-5W  
 BULB: 1 X B-10 (NOT INCLUDED)

**warnings:**

1. Do not remove the lamp from its packaging by pulling on the power cord, as a bad connection may result.
2. To avoid the risk of fire, electrical shock, or personal injury, turn off lamp and allow it to cool prior to replacing light bulb.
3. Do not touch bulb when fixture is turned on or look directly at lit bulb.
4. Keep flammable materials away from lit bulb.

**to assemble:**

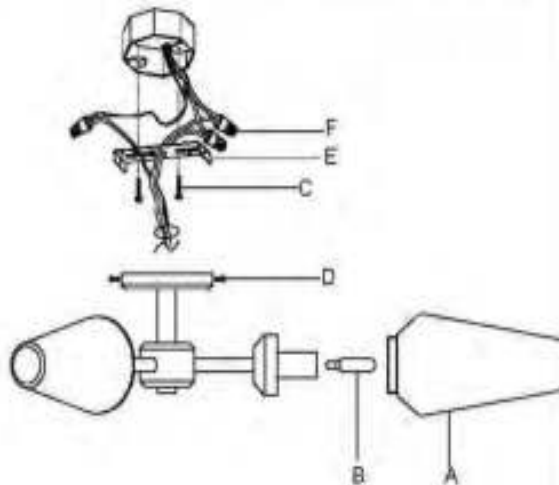
1. Carefully remove all parts from the box and remove all protective coverings.
2. Turn OFF power to the circuit breaker where the wall sconce be installed.
3. Remove back plate from base & fix it onto wall with screws.
4. After fixing back plate onto outlet, fix the wall sconce through base.
5. Attach shade (A) to socket cover (B) by removing socket cover ring (C) re fix socket cover ring (C) after shade attached.
6. Restore power to the circuit breaker and test wall sconce.

**care instructions:**

DO NOT use polishes or Cleaners on your lamp. Wipe with soft, lint free cloth.

**parts enclosed:**

ITEM	DIACRAM	DESCRIPTION	QTY
(A)		Glass Shade	3
(B)		Bulb (Not included)	3
(C)		Mounting Screw	2
(D)		Canopy Screw	2
(E)		Mounting Plate & green ground screw	1
(F)		Wire Connectors	3

**important safety instructions:**

**CONSULT A QUALIFIED ELECTRICIAN TO ENSURE CORRECT BRANCH CIRCUIT CONDUCTOR.**

1. We recommend installation by a licensed electrician.
2. To avoid the risk of fire, do not exceed the recommended wattage of 140-watt Type T lightbulb for this fixture.

**warnings:**

1. All wires are connected. Do not remove the fixture from packaging by pulling on the wires as a bad connection may result.
2. To avoid the risk of fire, electrical shock, or personal injury, always turn OFF power at the outlet box where the fixture will be installed, remove the fixture and allow it to cool prior to replacing the lightbulb.
3. Do not touch bulb when fixture is turned on or look directly at lit bulb.
4. Keep flammable materials away from lit bulb.

**to assemble:**

1. Carefully remove all parts from the box and remove all protective coverings. Take care not to lose any small parts.
2. Turn OFF power at the outlet box where the fixture will be installed.
3. Attach the Mounting Plate (E) to outlet box using the Mounting Screws (C), tighten with a screwdriver. Ensure the side of the Mounting Plate marked "GND" is facing out.
4. While holding the fixture, connect the black wire from fixture to the hot wire (usually black or smooth) from the outlet box using a wire connector (F). Connect the white wire from fixture to the neutral wire (usually white or ribbed) from the outlet box using a wire connector (F). DO NOT REVERSE THE HOT AND NEUTRAL WIRE CONNECTIONS. OTHERWISE, SAFETY WILL BE COMPROMISED.
5. If the outlet box has a ground wire (green or bare copper), connect the green ground wire from the fixture to it using a wire connector (F). If the outlet box does not have a ground wire, connect the green ground wire from the fixture to the green ground screw provided on the Mounting Plate (E).
6. Tuck these wire connections neatly into the outlet box, place the fixture over the Mounting Plate (E) and align the two holes of the canopy with the corresponding holes on the Mounting plate (E), secure the canopy

## care instructions:

Wipe all surfaces with a soft, dry cloth. Do not use any harsh cleaners (including ammonia-based products) or abrasives on the fixture as they will damage the surface.

Canopy Screws (D) until the fixture is secured to the ceiling.

7. Install the proper light bulb (not included) in accordance with the fixture specifications (DO NOT EXCEED THE SPECIFIED WATTAGE RATING).
8. Install the Glass Shade (A) onto Sockets by screwing clockwise.
9. Installation is completed. Turn on the power at the circuit breaker panel. Turn the light switch to activate the fixture.




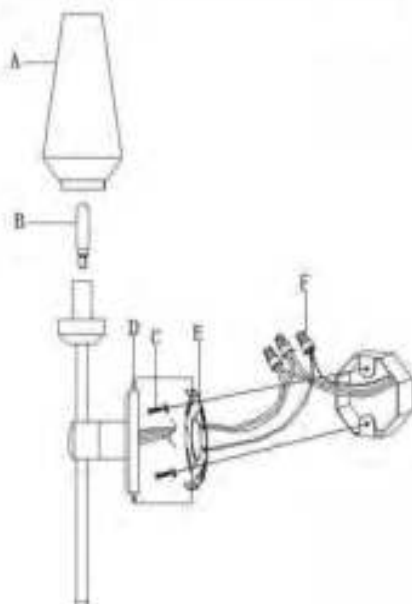
ARROW BRASS SCONCE 6610031H416

ARROW BRONZE SCONCE 6610031H417

ARHAUS<sup>®</sup>  
your home

## parts enclosed:

ITEM	DIAGRAM	DESCRIPTION	QTY
(A)		Glass Shade	1
(B)		Bulb (Not included)	1
(C)		Mounting Screw	2
(D)		Backplate Screw	2
(E)		Mounting Plate & green ground screw	1
(F)		Wire Connectors	3



## care instructions:

Wipe all surfaces with a soft, dry cloth. Do not use any harsh

## important safety instructions:

**CONSULT A QUALIFIED ELECTRICIAN TO ENSURE CORRECT BRANCH CIRCUIT CONDUCTOR.**

1. We recommend installation by a licensed electrician.
2. To avoid the risk of fire, do not exceed the recommended wattage of one 40-watt Type T lightbulb for this fixture.

## warnings:

1. All wires are connected. Do not remove the fixture from packaging by pulling on the wires as a bad connection may result.
2. To avoid the risk of fire, electrical shock, or personal injury, always turn off fixture and allow it to cool prior to replacing the lightbulb.
3. Do not touch bulb when fixture is turned on or look directly at it bulb.
4. Keep flammable materials away from it bulb.

## to assemble:

1. Carefully remove all parts from the box and remove all protective coverings. Take care not to lose any small parts.
2. Turn OFF power at the outlet box where the fixture will be installed.
3. Attach the Mounting Plate (E) to outlet box using the Mounting Screws (C), tighten with a screwdriver. Ensure the side of the Mounting Plate (E) marked "GND" is facing out.
4. While holding the fixture, connect the black wire from fixture to the hot wire (usually black or smooth) from the outlet box using a wire connector (F). Connect the white wire from fixture to the neutral wire (usually white or ribbed) from the outlet box using a wire connector (F). **DO NOT REVERSE THE HOT AND NEUTRAL WIRE CONNECTIONS; OTHERWISE, SAFETY WILL BE COMPROMISED.**
5. If the outlet box has a ground wire (green or bare copper), connect the green ground wire from the fixture to it using a wire connector (F). If the outlet box does not have a ground wire, connect the green ground wire from the fixture to the green ground screw provided on the Mounting Plate (E).
6. Tuck these wire connections neatly into the outlet box, place the Backplate over the Mounting Plate (E) and align the two holes of the Backplate with the corresponding holes on the Mounting plate (E), secure the Backplate with Backplate Screws (D) until the fixture is secured to the wall.
7. Install the proper light bulb (not included) in accordance with the fixture's specifications (DO NOT EXCEED THE SPECIFIED WATTAGE RATING).
8. Install the Glass Shade (A) onto Socket by screwing clockwise.

cleaners (including ammonia-based products) or abrasives on the fixture as they will damage the surface.

9. Installation is completed. Turn on the power at the circuit breaker or fuse box. Turn the light switch to activate the fixture.

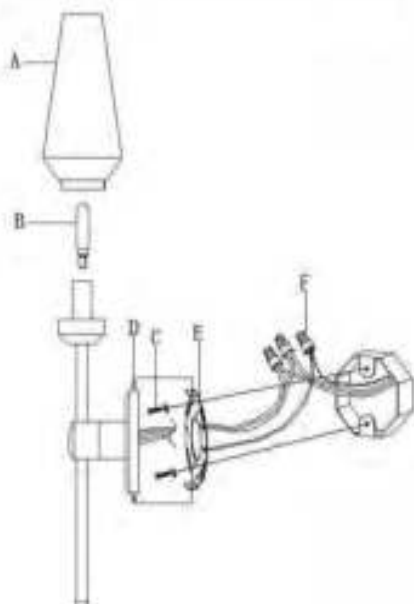
ARROW BRASS SCONCE 6610031H416

ARROW BRONZE SCONCE 6610031H417

ARHAUS<sup>®</sup>  
your home

### parts enclosed:

ITEM	DIAGRAM	DESCRIPTION	QTY
(A)		Glass Shade	1
(B)		Bulb (Not included)	1
(C)		Mounting Screw	2
(D)		Backplate Screw	2
(E)		Mounting Plate & green ground screw	1
(F)		Wire Connectors	3



### care instructions:

Wipe all surfaces with a soft, dry cloth. Do not use any harsh

### important safety instructions:

**CONSULT A QUALIFIED ELECTRICIAN TO ENSURE CORRECT BRANCH CIRCUIT CONDUCTOR.**

1. We recommend installation by a licensed electrician.
2. To avoid the risk of fire, do not exceed the recommended wattage of one 40-watt Type T lightbulb for this fixture.

### warnings:

1. All wires are connected. Do not remove the fixture from packaging by pulling on the wires as a bad connection may result.
2. To avoid the risk of fire, electrical shock, or personal injury, always turn off fixture and allow it to cool prior to replacing the lightbulb.
3. Do not touch bulb when fixture is turned on or look directly at it bulb.
4. Keep flammable materials away from it bulb.

### to assemble:

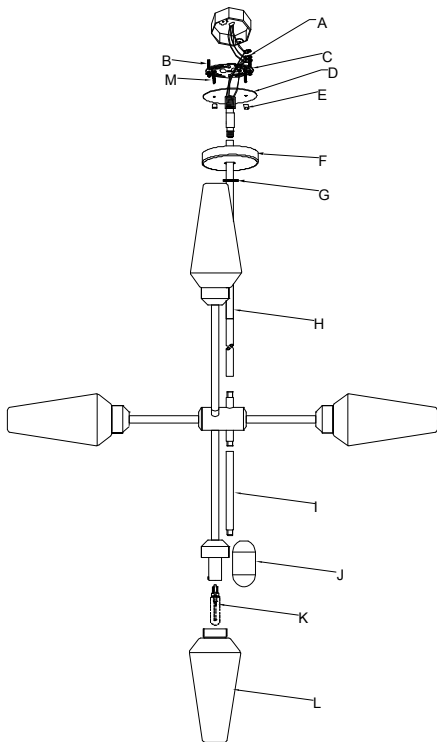
1. Carefully remove all parts from the box and remove all protective coverings. Take care not to lose any small parts.
2. Turn OFF power at the outlet box where the fixture will be installed.
3. Attach the Mounting Plate (E) to outlet box using the Mounting Screws (C), tighten with a screwdriver. Ensure the side of the Mounting Plate (E) marked "GND" is facing out.
4. While holding the fixture, connect the black wire from fixture to the hot wire (usually black or smooth) from the outlet box using a wire connector (F). Connect the white wire from fixture to the neutral wire (usually white or ribbed) from the outlet box using a wire connector (F). **DO NOT REVERSE THE HOT AND NEUTRAL WIRE CONNECTIONS; OTHERWISE, SAFETY WILL BE COMPROMISED.**
5. If the outlet box has a ground wire (green or bare copper), connect the green ground wire from the fixture to it using a wire connector (F). If the outlet box does not have a ground wire, connect the green ground wire from the fixture to the green ground screw provided on the Mounting Plate (E).
6. Tuck these wire connections neatly into the outlet box, place the Backplate over the Mounting Plate (E) and align the two holes of the Backplate with the corresponding holes on the Mounting plate (E), secure the Backplate with Backplate Screws (D) until the fixture is secured to the wall.
7. Install the proper light bulb (not included) in accordance with the fixture's specifications (DO NOT EXCEED THE SPECIFIED WATTAGE RATING).
8. Install the Glass Shade (A) onto Socket by screwing clockwise.

cleaners (including ammonia-based products) or abrasives on the fixture as they will damage the surface.

9. Installation is completed. Turn on the power at the circuit breaker or fuse box. Turn the light switch to activate the fixture.

**parts enclosed:**

ITEM	DIAGRAM	DESCRIPTION	QTY
(A)		Wire Connectors	3
(B)		Mounting Screw	2
(C)		Mounting Plate	1
(D)		Pivot Plate	1
(E)		Nut	2
(F)		Canopy	1
(G)		Lock Collar	1
(H)		Pipes	4x6" 4x12" 4x18"
(I)		Decorative Tube	1
(J)		Ornament	1
(K)		Light Bulb (not included)	4
(L)		Glass Shade	4
(M)		Screws with Hex Nut	2

**care instructions:**

Wipe all surface with a soft, dry cloth. Do not use any harsh cleaners (including ammonia-based products) or abrasives on the fixture as they will damage the surface.

**important safety instructions:****CONSULT A QUALIFIED ELECTRICIAN TO ENSURE CORRECT BRANCH CIRCUIT CONDUCTOR.**

1. We recommend installation by a licensed electrician.
2. To avoid the risk of fire, do not exceed the recommended wattage for this fixture.


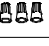
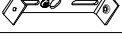



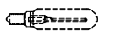


**warnings:**

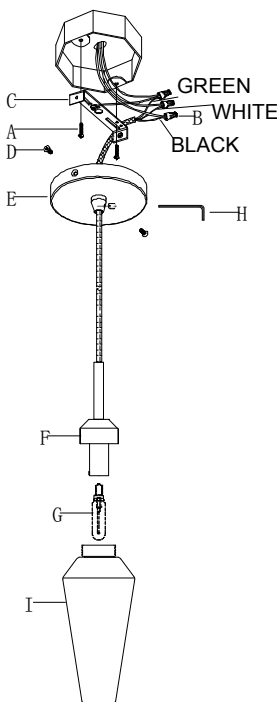
1. Do not remove the fixture from packaging by pulling on the power cord as a bad connection may result.
2. To avoid the risk of fire, electrical shock, or personal injury, always turn off fixture and allow it to cool prior to replacing the lightbulb.
3. Do not touch bulb when fixture is turned on or look directly at lit bulb. Keep flammable materials away from lit bulb.

**to assemble:**

1. Shut off power at the outlet box where the fixture will be installed
2. Carefully remove all parts from the box and remove all plastic coverings. Take care not to lose any small parts.
3. Determine the desired hanging height, then connect suitable numbers of Pipes (H) to achieve the desired hanging height. Install Decorative Tube (I) then Ornament (J) onto the fixture.
4. Insert the Screws (M) into the remaining holes on the Mounting Plate (C) and tighten with the Hex Nuts provided on the Screw (M)..
5. Attach the Mounting Plate (C) to outlet box using the Mounting Screws (B) and tighten them with a screwdriver. Ensure the side of the Mounting Plate (C) marked "GND" is facing out.
6. Attach the Pivot Plate (D) to the Mounting Plate (C) by aligning the holes on the Pivot Plate (D) with the Screws (M) on the Mounting Plate (C) and secure the Mounting Screws with Nuts (E) onto the Pivot Plate (D).
7. While holding the fixture, connect the black wire from fixture to the hot wire (usually black or smooth) from the outlet box using a wire connector (A). Connect the white wire from fixture to the neutral wire (usually white or ribbed) from the outlet box using a wire connector (A). DO NOT REVERSE THE HOT AND NEUTRAL WIRE CONNECTIONS; OTHERWISE, SAFETY WILL BE COMPROMISED.
8. If the outlet box has a ground wire (green or bare copper), connect the green ground wire from the fixture to it using a wire connector (A). If the outlet box does not have a ground wire, connect the green ground wire from the fixture to the green ground screw provided on the Mounting Plate (C).
9. Tuck these wire connections neatly into the outlet box. Raise the Canopy (F) over the Pivot Plate (D) and secure with Lock Collar (G).
10. Install the proper Light Bulbs (K) (not included) in accordance with the fixture's specifications (DO NOT EXCEED THE SPECIFIED WATTAGE RATING).
11. Install Glass Shades (L) over the sockets.
12. Installation is completed. Turn on the power at the circuit breaker or fuse box. Turn the light switch to activate the fixture.

**parts enclosed:**

ITEM	DIAGRAM	DESCRIPTION	QTY
(A)		Mounting Screw	2
(B)		Wire Connectors	3
(C)		Mounting plate & green ground screw	1
(D)		Canopy Screws	2
(E)		Canopy	1
(F)		Socket	1
(G)		Light Bulb (Not included)	1
(H)		Tool	1
(I)		Glass Shade	1

**care instructions:**

Wipe all surface with a soft, dry cloth. Do not use any harsh cleaners (including ammonia-based products) or abrasives on the fixture as they will damage the surface.

**important safety instructions:****CONSULT A QUALIFIED ELECTRICIAN TO ENSURE CORRECT BRANCH CIRCUIT CONDUCTOR.**

1. We recommend installation by a licensed electrician.
2. To avoid the risk of fire, do not exceed the recommended wattage for this fixture.

**warnings:**

1. Do not remove the fixture from packaging by pulling on the power cord as a bad connection may result.
2. To avoid the risk of fire, electrical shock, or personal injury, always turn off fixture and allow it to cool prior to replacing the lightbulb.
3. Do not touch bulb when fixture is turned on or look directly at lit bulb. Keep flammable materials away from lit bulb.

**to assemble:**

1. Shut off power at the outlet box where the fixture will be installed
2. Carefully remove all parts from the box and remove all plastic coverings. Take care not to lose any small parts.
3. Determine the desired hanging height, unlock the screw at the Canopy (E) using Tool (H), pull the wire gently to desired length, and tighten the screw using Tool (H).
4. Attach the Mounting Plate (C) to outlet box using the Mounting Screws (A) and tighten the Mounting Screws (A) with a screwdriver. Ensure the side of the Mounting Plate (C) marked "GND" is facing out.
5. While holding the fixture, connect the black wire from fixture to the hot wire (usually black or smooth) from the outlet box using a wire connector (B). Connect the white wire from fixture to the neutral wire (usually white or ribbed) from the outlet box using a wire connector (B). **DO NOT REVERSE THE HOT AND NEUTRAL WIRE CONNECTIONS; OTHERWISE, SAFETY WILL BE COMPROMISED.**
6. If the outlet box has a ground wire (green or bare copper), connect the green ground wire from the fixture to it using a wire connector (B). If the outlet box does not have a ground wire, connect the green ground wire from the fixture to the green ground screw provided on the Mounting Plate (C).
7. Tuck these wire connections neatly into the outlet box, place the Canopy (E) over the Mounting Plate (C), secure the canopy with the Canopy Screws (D).
8. Install the Light Bulb (G) (not included) in accordance with the fixture's specifications (DO NOT EXCEED THE SPECIFIED WATTAGE RATING) onto the Socket (F).
9. Screw Glass Shade (I) over Socket (F)
10. Installation is completed. Turn on the power at the circuit breaker or fuse box. Turn the light switch to activate the fixture.

# Ancel Table Lamp

# ARHAUS®

your home

## parts enclosed:

- (A) Finial (1)
- (B) Harp Top (1)
- (C) Harp (1)
- (D) Harp Caps (2)
- (E) Socket (1)
- (F) Saddle (1)
- (G) Lamp Base (1)
- (H) Shade
- (I) Bulb (not included)

(diagram / line drawing)

## important safety instructions:

1. We recommend installation by a licensed electrician.
2. To avoid the risk of fire, do not exceed the recommended wattage for this fixture.
3. This fixture has been rated for up to one (1) 150WATT max or smaller 3way Type A or max 18W 3W SBLED Lamp

## warnings:

1. Do not remove the lamp from its packaging by pulling on the power cord, as a bad connection may result.
2. To avoid the risk of fire, electrical shock, or personal injury, turn off lamp and allow it to cool prior to replacing light bulb.
3. Do not touch bulb when fixture is turned on or look directly at lit bulb.
4. Keep flammable materials away from lit bulb.

## to assemble:

1. Raise the Harp Caps (D) and insert the bottom ends of the Harp (C) into the Saddle (F).
2. Lower the the Harp Caps (D) until they cover the two-pronged Saddle (F).
3. Unscrew the Finial (A) from the Harp Top (B)
4. Place the Shade (H) over the Harp (C) making sure the Harp Top (B) extends through the top ring of the Shade (H).
5. Secure the Shade (H) by turning the Finial (A) onto the Harp Top (B).
6. Insert the specified light bulb into the socket (E). DO NOT EXCEED THE SPECIFIED WATTAGE.

## care instructions:

1. Wipe clean with a soft, dry cloth or static duster.
2. Always avoid the use of harsh chemicals or abrasive cleaners as they may cause damage to the fixture's finish.

## B7262 2LT VANITY INSTALLATION INSTRUCTIONS

### **WARNING**

**DISCONNECT POWER BEFORE RE-LAMPING OR WIRING THE FIXTURE  
READ ALL INSTRUCTIONS COMPLETELY BEFORE STARTING INSTALLATION.**

### **CAUTION**

- TO AVOID THE RISK OF FIRE OR SHOCK, FIXTURE MUST BE INSTALLED IN COMPLIANCE WITH ALL APPLICABLE NATIONAL AND LOCAL ELECTRICAL/BUILDING CODES.
- INSTALLATION AND MAINTENANCE OF THIS UNIT REQUIRES AN ELECTRICIAN OR CERTIFIED FACTORY TRAINED TECHNICIAN.
- If an existing fixture is being replaced, remove it and note to which of the wires in the junction box the fixture was attached. DO NOT SEPARATE ANY OTHER WIRES THAT MAY BE IN THE BOX. DO NOT DAMAGE THE INSULATION OF OLDER WIRING. In regular circumstances the BLACK wire will be the "Hot" lead and the WHITE wire will be the "Neutral" or "Common" lead A GREEN or BARE COPPER wire is the "Ground". In older buildings it is always good practice to reconfirm the polarity of the wiring.

### **NOTICE**

- The important safeguards and instructions outlined on this sheet cannot cover all possible conditions and situations that may occur. it must be understood that common sense, caution and care factors that cannot be built into any product. Caution and care must be supplied by the person(s) installing, operating and caring of this lighting fixture.
- This fixture is designed to be mounted on a correctly installed standard round or octagon box or a through wiring box with a plaster frame. The box must be securely mounted to the structure of the building. The mounting ring and hardware supplied should be used. directly mounting the fixture to the junction box may make it impossible to correctly align the fixture.

### **NOTICE:**

**CALIFORNIA PROP 65: THIS LIGHTING FIXTURE CONTAINS CHEMICALS KNOWN TO THE STATE OF CALIFORNIA TO CAUSE CANCER, BIRTH DEFECTS, AND/OR OTHER REPRODUCTIVE HARM. WASH HANDS AFTER USE.**

### **FIXTURE PREPARATION**

1. Remove the fixture, parts and parts bag(s) from the carton.

#### **NOTICE:**

- Before discarding the carton, double check to make certain that all parts are found.

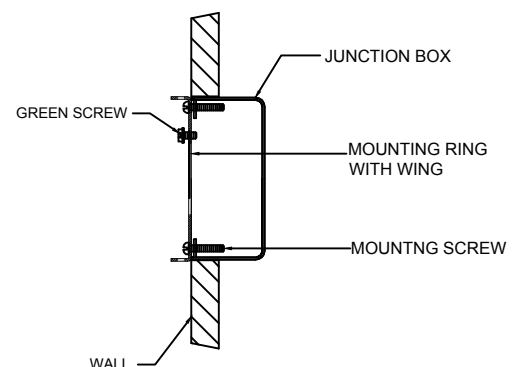
### **FIXTURE INSTALLATION**

1. Attach the mounting ring with wing to the junction box using mounting screw. (the green screw should face out). (See Figure 01)
2. Fasten the ground wire to the green or bare copper wire in the junction box to the green screw on the mounting ring with wing.

### **WARNING**

**Never fasten the ground wire to the black or "hot" wire!  
Failure to follow this instruction could result in serious injury or death!**

3. Fasten the white fixture lead to the white wire in the junction box. Fasten the wires together with an approved fastener (wire nut). Starting about 1" below the fastener, tightly wrap the connection with electrical tape so that the connections seals the end of the fastener.



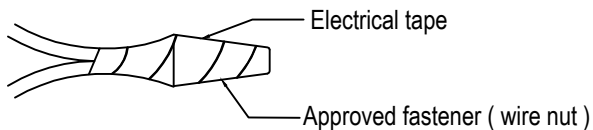
**FIGURE-01**





## WARNING

Make sure that there is no exposed wire or strands that could cause a dangerous short circuit!



4. Connect the black fixture lead to the black wire in the junction box. Fasten the joined wires as in step 3.
5. Attach the the backplate to the mounting ring with wing and secure it with flat head screw (See Figure 02).
6. Place the LED into the socket of the fixture.

## NOTICE:

This fixture is rated for 4w LED.



## WARNING

DO NOT EXCEED RECOMMENDED WATTAGE!

7. Install the glass diffuser into place. (See Figure 03)
8. Restore power to the circuit breaker or fuse box.

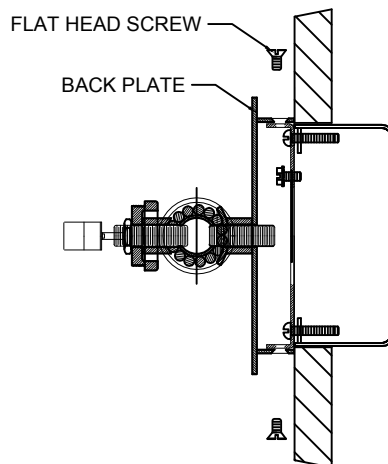


FIGURE-02

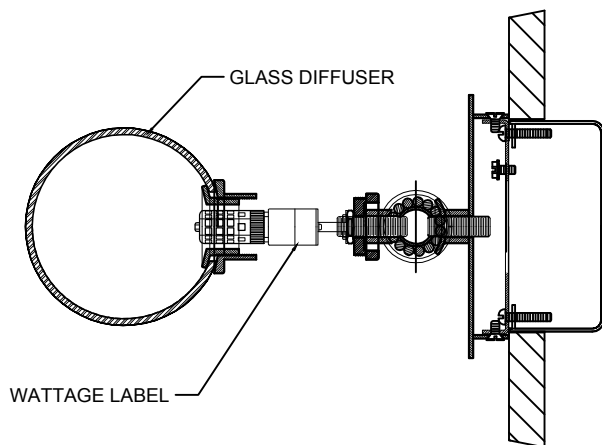
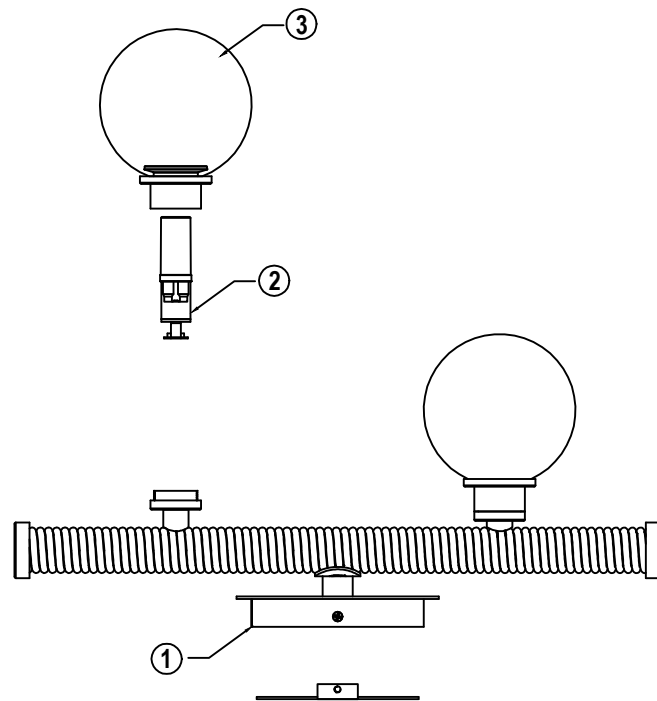


FIGURE-03

R-HY41  
B7262

1	R-HY41-BKP	BACK PLATE
2	R-HY41-ESK	SOCKET
3	R-HY41-GLS	GLASS



## ⚠ WARNING

**DISCONNECT POWER BEFORE RE-LAMPING OR WIRING THE FIXTURE  
READ ALL INSTRUCTIONS COMPLETELY BEFORE STARTING INSTALLATION.**

## ⚠ CAUTION

- TO AVOID THE RISK OF FIRE OR SHOCK, FIXTURE MUST BE INSTALLED IN COMPLIANCE WITH ALL APPLICABLE NATIONAL AND LOCAL ELECTRICAL/BUILDING CODES.
- INSTALLATION AND MAINTENANCE OF THIS UNIT REQUIRES AN ELECTRICIAN OR CERTIFIED FACTORY TRAINED TECHNICIAN.
- If an existing fixture is being replaced, remove it and note to which of the wires in the junction box the fixture was attached. DO NOT SEPARATE ANY OTHER WIRES THAT MAY BE IN THE BOX. DO NOT DAMAGE THE INSULATION OF OLDER WIRING. In regular circumstances the BLACK wire will be the "Hot" lead and the WHITE wire will be the "Neutral" or "Common" lead. A GREEN or BARE COPPER wire is the "Ground". In older buildings it is always good practice to reconfirm the polarity of the wiring.

## NOTICE

- The important safeguards and instructions outlined on this sheet cannot cover all possible conditions and situations that may occur. It must be understood that common sense, caution and care factors that cannot be built into any product. Caution and care must be supplied by the person(s) installing, operating and caring of this lighting fixture.
- This fixture is designed to be mounted on a correctly installed standard round or octagon box or a through wiring box with a plaster frame. The box must be securely mounted to the structure of the building. The mounting ring and hardware supplied should be used. Directly mounting the fixture to the junction box may make it impossible to correctly align the fixture.

## NOTICE:

**CALIFORNIA PROP 65: THIS LIGHTING FIXTURE CONTAINS CHEMICALS KNOWN TO THE STATE OF CALIFORNIA TO CAUSE CANCER, BIRTH DEFECTS, AND/OR OTHER REPRODUCTIVE HARM. WASH HANDS AFTER USE.**

## FIXTURE PREPARATION

1. Remove the fixture, parts and parts bag(s) from the carton.

### NOTICE:

- Before discarding the carton, double check to make certain that all parts are found.

## FIXTURE INSTALLATION

1. Attach the mounting ring with wing to the junction box using mounting screw. (the green screw should face out). (See Figure 01)
2. Fasten the ground wire to the green or bare copper wire in the junction box to the green screw on the mounting ring with wing.

## ⚠ WARNING

**Never fasten the ground wire to the black or "hot" wire!  
Failure to follow this instruction could result in serious injury or death!**

3. Fasten the white fixture lead to the white wire in the junction box. Fasten the wires together with an approved fastener (wire nut). Starting about 1" below the fastener, tightly wrap the connection with electrical tape so that the connections seals the end of the fastener.

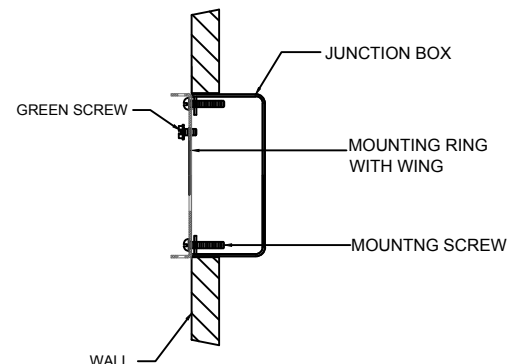
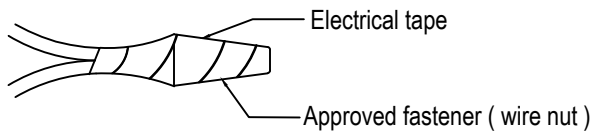


FIGURE-01



## WARNING

Make sure that there is no exposed wire or strands that could cause a dangerous short circuit!



4. Connect the black fixture lead to the black wire in the junction box. Fasten the joined wires as in step 3.
5. Attach the the backplate to the mounting ring with wing and secure it with flat head screw (See Figure 02).
6. Place the LED into the socket of the fixture.

## NOTICE:

This fixture is rated for 4w LED.



## WARNING

DO NOT EXCEED RECOMMENDED WATTAGE!

7. Install the glass diffuser into place. (See Figure 03)
8. Restore power to the circuit breaker or fuse box.

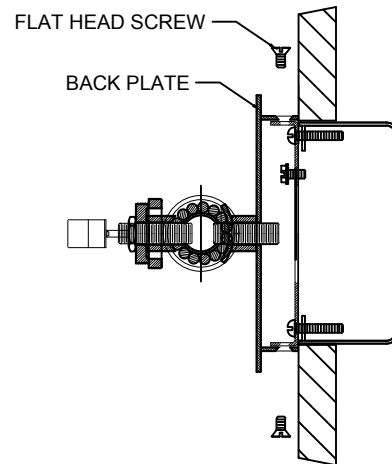


FIGURE-02

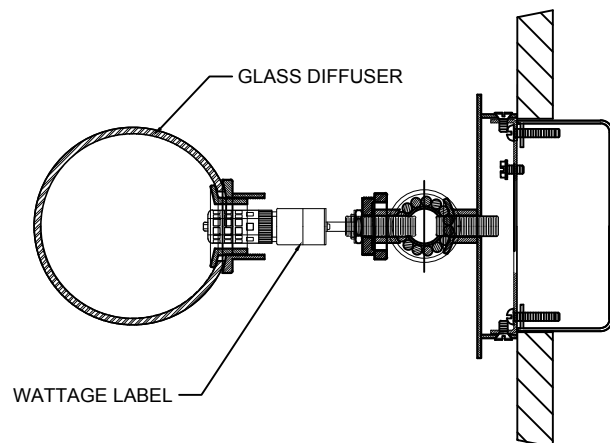
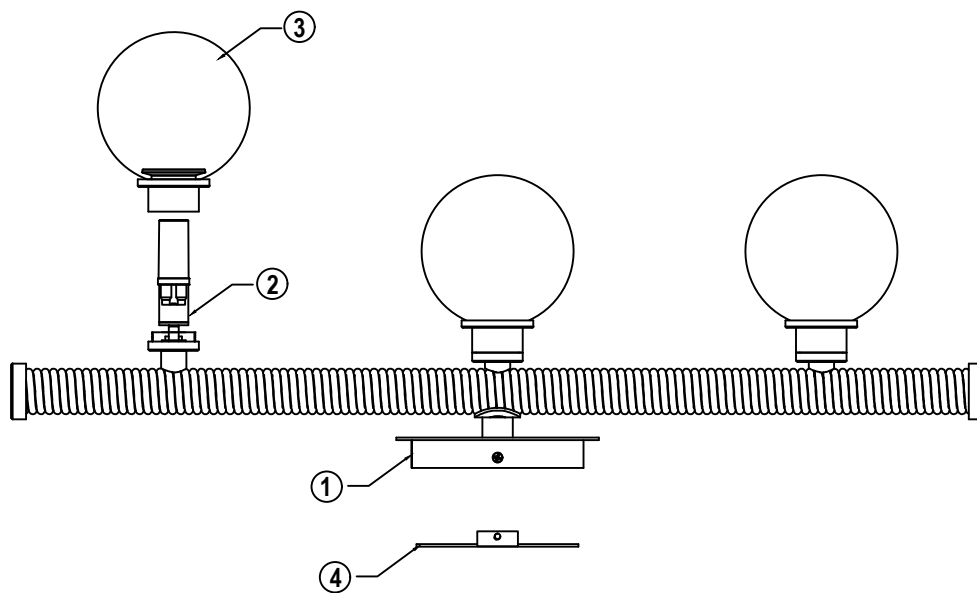


FIGURE-03

R-HY42  
B7263

1	R-HY42-BKP	BACK PLATE
2	R-HY42-ESK	SOCKET
3	R-HY42-GLS	GLASS
4	R-HY42-HRD	MOUNTING HRD



# AUBREY 5 LTS CHANDELIER NEW GREY W/SILVER #66636H065

# ARHAUS®

your home

## parts enclosed:

- (D) wire nuts (3)
- (E) cross bar set (1)
- (F) cross bar screws (2)
- (I) canopy (1)

## important safety instructions:

1. We recommend installation by a licensed electrician.
2. To avoid the risk of fire, do not exceed the recommended wattage for this fixture.

wattage: 5 x 40W  
type of socket: E12

## warnings:

1. Do not remove the lamp from its packaging by pulling on the power cord, as a bad connection may result.
2. To avoid the risk of fire, electrical shock, or personal injury, turn off lamp and allow it to cool prior to replacing light bulb.
3. Do not touch bulb when fixture is turned on or look directly at lit bulb.
4. Keep flammable materials away from lit bulb.

## to assemble:

- Attach cross bar (E) to the ceiling junction box using the cross bar screws (F).
- Unscrew the collar ring (J).
- Insert the collar loop (H) into the canopy (I).
- Screw the collar ring (J) back.
- Attach the chandelier chain (L) to the collar loop (H) with the quick link (K).

See back of the page for wiring connection details.

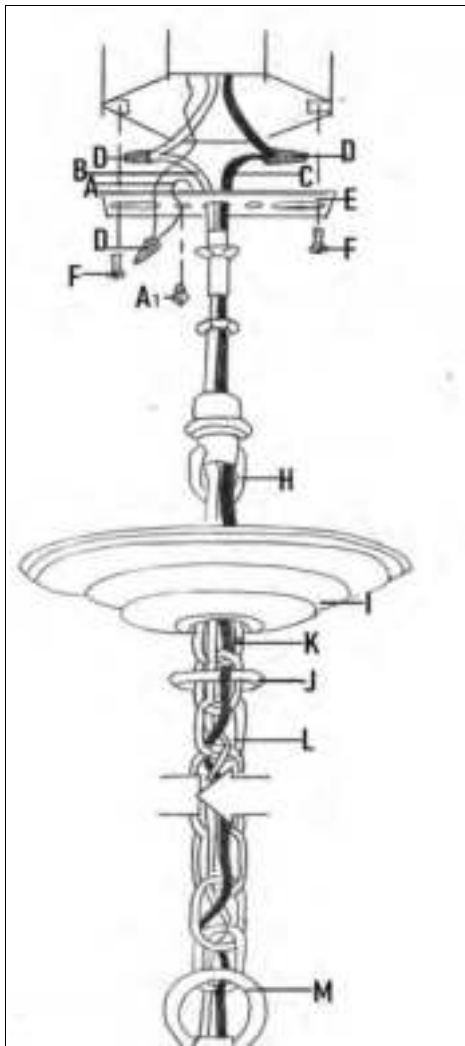
## replacement parts assembly:

- To replace the glass spheres w/rod (N,O, P) Insert wire clip into the hole on the iron frame. Bend the wire and secure it in place.

## care instructions:

Clean with dry soft cloth/brush only.  
Do not use water/alcohol or any detergent.





## INSTALLATION INSTRUCTIONS

### INCANDESCENT SURFACE MOUNTED LUMINAIRES:

#### CAUTION

- A PERSON FAMILIAR WITH THE CONSTRUCTION AND OPERATION OF THE PRODUCT MUST INSTALL THIS PRODUCT IN ACCORDANCE WITH THE APPLICABLE INSTALLATION CODE AND THE HAZARDS INVOLVED.

#### WARNING

- The electricity MUST be turned off at the MAIN FUSE BOX before installation of this luminaire; turning the power off using the light switch is not sufficient to prevent electrical shock.
- Luminaires weighing 50 lbs (25 lbs for surface wall) or more must be mounted directly to the building structure, independently of the electrical box; this installation should not be made on a radiant heat type ceiling.

- If a chain-and-canopy luminaire is provided of an individual grounding conductor (bare or insulated), this shall be interwoven through the chain from the luminaire to the canopy.
- If chain-and-canopy luminaire is provided of a SPT-1 power supply cord type, this shall interwoven through the chain from the luminaire to the canopy.
- The luminaires are not intended to support external weight other than provided glasses.

#### - WIRE CONNECTION CHART:

Connect Black or Red (Hot) House Wire to:	Connect White (Neutral) House Wire to:
Black (Hot)	White (Neutral)
Parallel cord (round and smooth)	Parallel cord (square or ridged)
Clear, Brown, Gold or Black without tracer	Clear, Brown, Gold or Black with tracer
Insulated wire (other than green) with copper conductor	Insulated wire (other than green) with silver conductor

#### - ELECTRICAL CONNECTION:

- 1 Attach grounding wire (green insulated or bare copper) from the supply circuit to the mounting bracket with the green ground attachment screw provided. Connect the grounding wire of the luminaire to the grounding conductor of the supply circuit. Attach all grounding conductors to the mounting bracket with the green ground wire attachment screw.

- 2 Referring to the Wire Connection Chart, connect the black and white wires.

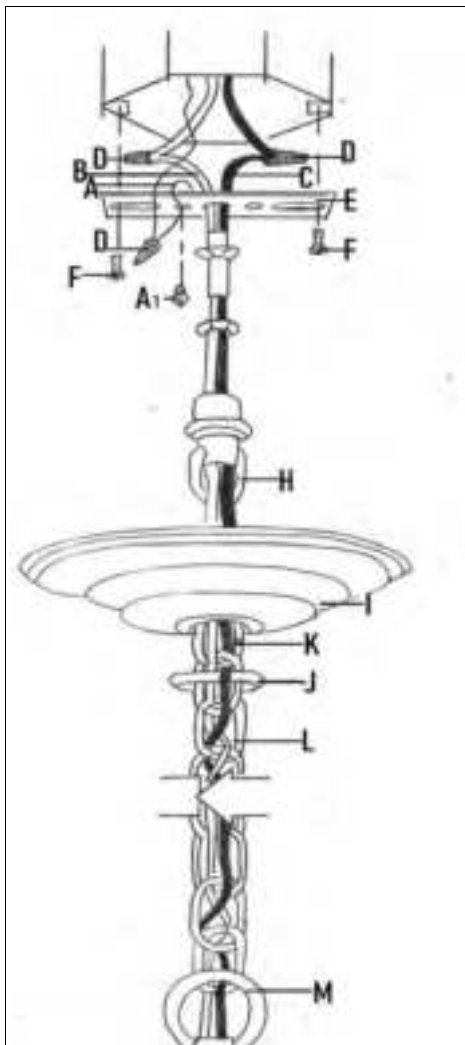
#### CAUTION

No loose strands or loose connections should be present. Secure with U.L. certified wire connectors and electrical tape.

#### - FINAL INSTRUCTION:

- 1 Install light bulbs, refer to the relamping label located near the lampholder for recommended wattage. DO NOT EXCEED THE RECOMMENDED WATTAGE.
- 2 Restore electricity and check the operation of the luminaire.

In case of change of the article, not previously authorized, the U.L. Certification will be terminated immediately.



## NOTICE DE MONTAGE PLAFONNIERES INCANDESCENTES

### ATTENTION

- Le montage doit être effectué par personnes compétentes selon le code d'installation en vigueur et les risques impliqués.
- La sûreté de l'installation est soumise au correct usage des instructions suivantes.

### AVERTISSEMENT

- Avant d'effectuer chaque opération, couper le courant à la boîte du fusible principale. La mise hors tension grâce à l'interrupteur n'est pas suffisante pour prévenir les chocs électriques.
- Luminaires qui sont lourds 50 Lbs. Ou plus (25 Lbs. Pour appareil mur) doivent être montés directement à la structure du bâtiment, de façon indépendante de la boîte électrique; cette installation ne doit pas être fait sur un plafond avec systèmes de chauffages radiants.
- Dans le cas du luminaire avec chaîne et pavillon, il faut passer les câbles à travers les maillons de la chaîne, soit s'il est équipé avec un câble conducteur de mise à la terre individuelle (nu ou isolé), soit s'il est équipé avec un câble d'alimentation SPT-1.
- Les appareils ne devraient pas porte plus de poids que celle prévue pour les verres décoratif.

#### • TABLE CONNEXION CABLES:

Connecter le fil de la maison NOIR ou ROUGE (phase) avec:	Connecter le fil de la maison BLANC (neutre) avec:
Noir (Phase)	Blanc (neutre)
Fil parallèle (ronde et lisse)	Fil parallèle (carré ou striée)
Clair, Marron, Or ou Noir SANS traceur	Clair, Marron, or ou Noir AVEC traceur
Fil isolé (autre que Vert) avec conducteur Cuivre	Fil isolé (autre que Vert) avec conducteur Argent

#### • CONNEXIONS ÉLECTRIQUES

1. Fixez le fil de terre (vert isolé ou cuivre nu) du circuit d'alimentation au support de montage par la vis vert de fixation de terre fourni.
2. Connectez le fil de mise à la terre du luminaire au conducteur de mise à la terre du circuit d'alimentation. Fixez tous les conducteurs de terre au support de montage avec la vis vert de fixation.
3. Connectez les fils noir et blanc en référant à la table connexion câbles.

#### ATTENTION

Fil libre ou des connexions desserrées ne doivent pas être présents. Fixer avec des connecteurs de fils certifié UL et du ruban électrique.

#### • INSTALLATION FINALE

1. Installer des ampoules de puissance recommandée, reportez-vous à l'étiquette de remplacement de la lampe situé en proximité de la douille.
2. Ne pas dépasser la puissance recommandée.

#### AVERTISSEMENT

##### Instructions supplémentaires

Pour la fixation, utiliser les vis fournies et vérifier que le pavillon couvre complètement la boîte de sortie.

En cas de changement d'article, pas autorisé précédemment, la certification U.L. se terminera immédiatement.

# AUBREY 8 LTS CHANDELIER DM36"-NEW GREY W/SILVER #66636H071

# ARHAUS®

your home

## parts enclosed:

- (D) wire nuts (3)
- (E) cross bar set (1)
- (F) cross bar screws (2)
- (I) canopy (1)

## important safety instructions:

1. We recommend installation by a licensed electrician.
2. To avoid the risk of fire, do not exceed the recommended wattage for this fixture.

wattage: 8 x 40W  
type of socket: E12

## warnings:

1. Do not remove the lamp from its packaging by pulling on the power cord, as a bad connection may result.
2. To avoid the risk of fire, electrical shock, or personal injury, turn off lamp and allow it to cool prior to replacing light bulb.
3. Do not touch bulb when fixture is turned on or look directly at lit bulb.
4. Keep flammable materials away from lit bulb.

## to assemble:

- Attach cross bar (E) to the ceiling junction box using the cross bar screws (F).
- Unscrew the collar ring (J).
- Insert the collar loop (H) into the canopy (I).
- Screw the collar ring (J) back.
- Attach the chandelier chain (L) to the collar loop (H) with the quick link (K).

See back of the page for wiring connection details.

## replacement parts assembly:

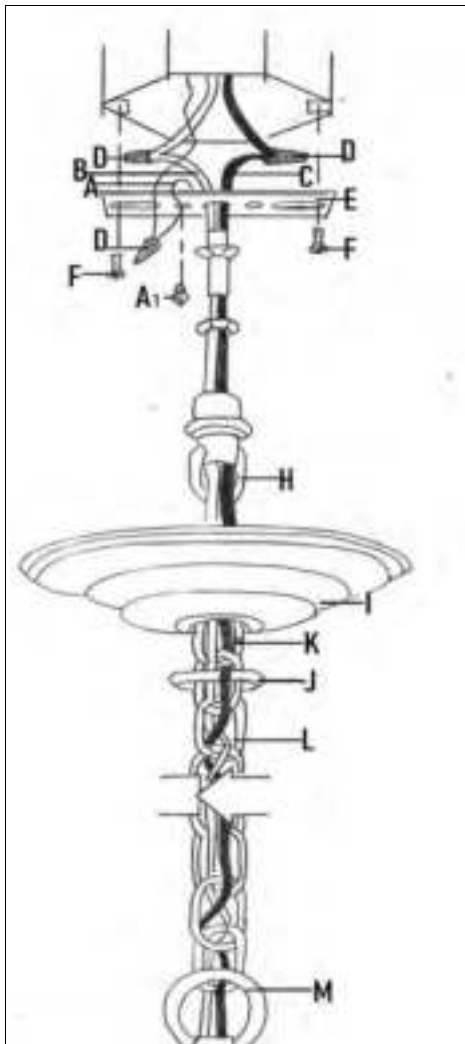
- To replace the glass spheres w/rod (N,O, P) Insert wire clip into the hole on the iron frame. Bend the wire and secure it in place.
- To replace the finial glass sphere (R) screw the finial ball in the threaded part of the chandelier bottom.

## care instructions:

Clean with dry soft cloth/brush only.  
Do not use water/alcohol or any detergent.







## INSTALLATION INSTRUCTIONS

### INCANDESCENT SURFACE MOUNTED LUMINAIRES:

#### CAUTION

- A PERSON FAMILIAR WITH THE CONSTRUCTION AND OPERATION OF THE PRODUCT MUST INSTALL THIS PRODUCT IN ACCORDANCE WITH THE APPLICABLE INSTALLATION CODE AND THE HAZARDS INVOLVED.

#### WARNING

- The electricity MUST be turned off at the MAIN FUSE BOX before installation of this luminaire; turning the power off using the light switch is not sufficient to prevent electrical shock.
- Luminaires weighing 50 lbs (25 lbs for surface wall) or more must be mounted directly to the building structure, independently of the electrical box; this installation should not be made on a radiant heat type ceiling.

- If a chain-and-canopy luminaire is provided of an individual grounding conductor (bare or insulated), this shall be interwoven through the chain from the luminaire to the canopy.
- If chain-and-canopy luminaire is provided of a SPT-1 power supply cord type, this shall interwoven through the chain from the luminaire to the canopy.
- The luminaires are not intended to support external weight other than provided glasses.

#### - WIRE CONNECTION CHART:

Connect Black or Red (Hot) House Wire to:	Connect White (Neutral) House Wire to:
Black (Hot)	White (Neutral)
Parallel cord (round and smooth)	Parallel cord (square or ridged)
Clear, Brown, Gold or Black without tracer	Clear, Brown, Gold or Black with tracer
Insulated wire (other than green) with copper conductor	Insulated wire (other than green) with silver conductor

#### - ELECTRICAL CONNECTION:

- 1 Attach grounding wire (green insulated or bare copper) from the supply circuit to the mounting bracket with the green ground attachment screw provided. Connect the grounding wire of the luminaire to the grounding conductor of the supply circuit. Attach all grounding conductors to the mounting bracket with the green ground wire attachment screw.

- 2 Referring to the Wire Connection Chart, connect the black and white wires.

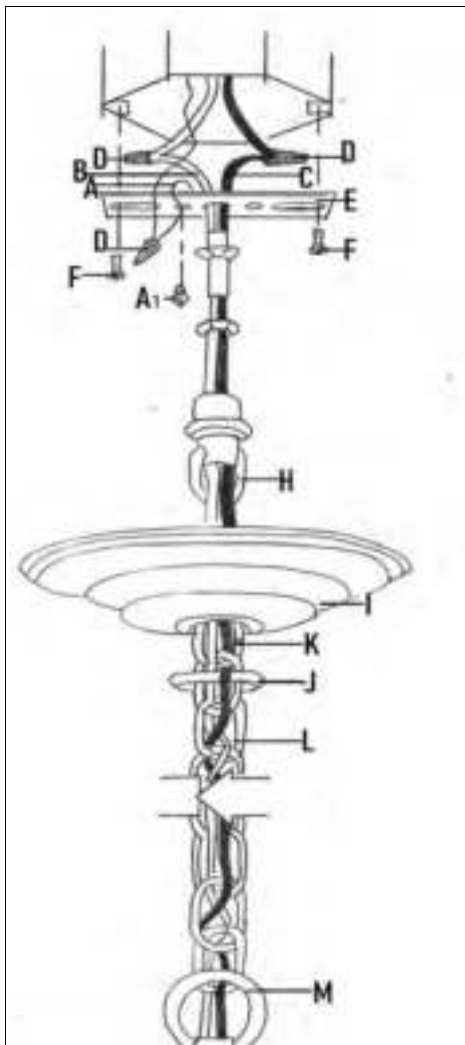
#### CAUTION

No loose strands or loose connections should be present. Secure with U.L. certified wire connectors and electrical tape.

#### - FINAL INSTRUCTION:

- 1 Install light bulbs, refer to the relamping label located near the lampholder for recommended wattage. DO NOT EXCEED THE RECOMMENDED WATTAGE.
- 2 Restore electricity and check the operation of the luminaire.

In case of change of the article, not previously authorized, the U.L. Certification will be terminated immediately.



## NOTICE DE MONTAGE PLAFONNIERES INCANDESCENTES

### ATTENTION

- Le montage doit être effectué par personnes compétentes selon le code d'installation en vigueur et les risques impliqués.
- La sûreté de l'installation est soumise au correct usage des instructions suivantes.

### AVERTISSEMENT

- Avant d'effectuer chaque opération, couper le courant à la boîte du fusible principale. La mise hors tension grâce à l'interrupteur n'est pas suffisante pour prévenir les chocs électriques.
- Luminaires qui sont lourds 50 Lbs. Ou plus (25 Lbs. Pour appareil mur) doivent être montés directement à la structure du bâtiment, de façon indépendante de la boîte électrique; cette installation ne doit pas être fait sur un plafond avec systèmes de chauffages radiants.
- Dans le cas du luminaire avec chaîne et pavillon, il faut passé les câbles à travers les mailons de la chaîne, soit s'il est équipé avec un câble conducteur de mise à la terre individuelle (nu ou isolé), soit s'il est équipé avec un câble d'alimentation SPT-1.
- Les appareils ne devraient pas porte plus de poids que celle prévue pour les verres décoratif.

#### • TABLE CONNEXION CABLES:

Connecter le fil de la maison NOIR ou ROUGE (phase) avec:	Connecter le fil de la maison BLANC (neutre) avec:
Noir (Phase)	Blanc (neutre)
Fil parallèle (ronde et lisse)	Fil parallèle (carré ou striée)
Clair, Marron, Or ou Noir SANS traceur	Clair, Marron, or ou Noir AVEC traceur
Fil isolé (autre que Vert) avec conducteur Cuivre	Fil isolé (autre que Vert) avec conducteur Argent

#### • CONNEXIONS ÉLECTRIQUES

1. Fixez le fil de terre (vert isolé ou cuivre nu) du circuit d'alimentation au support de montage par la vis vert de fixation de terre fourni.
2. Connectez le fil de mise à la terre du luminaire au conducteur de mise à la terre du circuit d'alimentation. Fixez tous les conducteurs de terre au support de montage avec la vis vert de fixation.
3. Connectez les fils noir et blanc en référant à la table connexion câbles.

#### ATTENTION

Fil libre ou des connexions desserrées ne doivent pas être présents. Fixer avec des connecteurs de fils certifié UL et du ruban électrique.

#### • INSTALLATION FINALE

1. Installer des ampoules de puissance recommandée, reportez-vous à l'étiquette de remplacement de la lampe situé en proximité de la douille.
2. Ne pas dépasser la puissance recommandée.

#### AVERTISSEMENT

##### Instructions supplémentaires

Pour la fixation, utiliser les vis fournies et vérifier que le pavillon couvre complètement la boîte de sortie.

En cas de changement d'article, pas autorisé précédemment, la certification U.L. se terminera immédiatement.

AUBREY 1LT  
FLOOR LAMP-NEW GREY W/SILVER  
#66636L072

ARHAUS<sup>®</sup>  
your home



**important safety instructions:**

To avoid the risk of fire, do not exceed the recommended wattage for this fixture.

wattage: 1 x 60W

type of socket: E26

**warnings:**

1. Do not remove the lamp from its packaging by pulling on the power cord, as a bad connection may result.
2. To avoid the risk of fire, electrical shock, or personal injury, turn off lamp and allow it to cool prior to replacing light bulb.
3. Do not touch bulb when fixture is turned on or look directly at lit bulb.
4. Keep flammable materials away from lit bulb.

**to assemble:**

- Insert the polarized plug in the polarized outlet.

**replacement parts assembly:**

- To replace the glass spheres w/rod (A) (B) (C) Insert wire clip into the hole on the iron frame. Bend the wire and secure it in place.
- Screw the sphere top finial (D) in the threaded rod on top of the lamp.

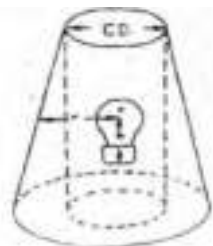
**care instructions:**

- Clean with dry soft cloth/brush only.
- Do not use water/alcohol or any detergent

### WARNING

- PORTABLE LAMP N. #65636L0434
- TO BE USED ONLY WITH SHADE MODEL N. #65636L0434
- ALWAYS USE AN OPEN-TOP AND OPEN-BOTTOM SHADE, AND MAKE SURE THAT THE TOP AND THE BOTTOM DIAMETER IS AT LEAST 4 1/2 INCHES WIDE.
- MAKE SURE THAT THE HORIZONTAL DISTANCE FROM THE CENTRE OF THE BULB TO THE SHADE IS AT LEAST 2 1/2 INCHES.

MAX 60 WATT  
TYPE B LAMP



MODEL N.#65636L0434

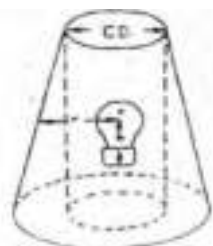
### CAUTION IMPORTANT SAFETY INSTRUCTION

THIS PORTABLE LAMP HAS A POLARIZED PLUG (ONE BLADE IS WIDER THAN THE OTHER).AS A FEATURE TO REDUCE THE RISK OF ELECTRIC SHOCK. THIS PLUG WILL FIT IN A POLARIZED OUTLET ONLY ONE WAY. IF THE PLUG STILL DOES NOT FIT FULLY IN THE OUTLET, REVERSE THE PLUG. IF IT STILL DOES NOT FIT, CONTACT A QUALIFIED ELECTRICIAN.NEVER USE WITH AN EXTENSION COR UNLESS PLUG CAN BE FULLY INSERTED. DO NOT ALTER THE PLUG. IN CASE OF CHANGE OF THE ARTICLE, NOT PREVIOUSLY AUTHORIZED, THE UL CERTIFICATION WILL BE TERMINATED, IMMEDIATELY.

### ATTENTION

- LAMPE PORTABLE N. #65636L0434
- À UTILISER UNIQUEMENT AVEC LE MODÈLE SHADE N. #65636L0434
- UTILISEZ TOUJOURS UNE TÔLE D'OUVERTURE ET D'OUVERTURE DE BOTTON ET ASSUREZ-VOUS QUE LE DIAMÈTRE SUPÉRIEUR ET LE DIÉMETRE INFÉRIEUR EST D'AU MOINS 4 1/2 POUCES DE LARGEUR.
- S'ASSURER QUE LA DISTANCE HORIZONTALE DU CENTRE DE L'AMPOULE VERS L'OMBRE EST AU MOINS 2 1/2 POUCES.

MAX 60 WATT  
CATÉGORIE B LAMPE



MODÈLE N. #65636L0434

### AVERTISSEMENT IMPORTANTE

#### INSTRUCTION DE SÉCURITÉ

CETTE LAMPE PORTABLE A UNE FICHE POLARISÉE (UNE LAME EST PLUS LARGE QUE L'AUTRE).COMME CARACTÉRISTIQUE DE RÉDUIRE LE RISQUE DE CHOC ÉLECTRIQUE. CETTE PLAQUE SERA FIXEE DANS UNE SORTIE POLARISEE UNIQUEMENT. SI LA FICHE N'EST PAS ENCORE EN FONCTIONNEMENT INTEGREE DANS LA SORTIE, INVERSER LA FICHE. SI CELA NE S'APPLIQUE PAS, CONTACTEZ UN ÉLECTRICIEN QUALIFIÉ.

N'UTILISEZ JAMAIS AVEC UN COR EXTENSION, A MOINS QUE LA FICHE PEUT ÊTRE INSÉRÉE ENTIÈREMENT. NE PAS MODIFIER LA FICHE. EN CAS DE CHANGEMENT DE L'ARTICLE, NON AUTORISÉ' PRECEDENT, LA CERTIFICAION UL SERA TERMINE', IMMÉDIATEMENT.

# AUBREY LARGE RECTANGULAR 5 LTS CHANDELIER #65636H0359

# ARHAUS®

your home

## parts enclosed:

- C2) cross bar screws (2)
- E) wirenut (3)
- L) oval canopy (1)
- P) Locking plastic nut (1)

## important safety instructions:

1. We recommend installation by a licensed electrician.
2. To avoid the risk of fire, do not exceed the recommended wattage for this fixture.

wattage: 5 X 60 W  
type socket: E26

## warnings:

1. Do not remove the lamp from its packaging by pulling on the power cord, as a bad connection may result.
2. To avoid the risk of fire, electrical shock, or personal injury, turn off lamp and allow it to cool prior to replacing light bulb.
3. Do not touch bulb when fixture is turned on or look directly at lit bulb.
4. Keep flammable materials away from lit bulb.

## to assemble:

- Disassemble cross bar (C) and metal oval plate (F) from back of the oval canopy (L).
- Unscrew the locking plastic nut (P) from canopy (L).
- Insert wire cord through the locking plastic nut (P) and feed it through the hole in the canopy (L).
- Tighten the locking plastic nut (P).
- Tie the black wires as shown (Q).
- Attach cross bar (C) to the ceiling Junction box using the cross bar screws (C2).
- Attach the metal oval plate (F) to the cross bar (C) using the central cross bar screw (C1), washer (G) and hexnut (H).
- Attach the oval canopy (L) to the metal oval plate (F) using the canopy screws (L1).
- Attach chandelier chains to canopy hook (M).

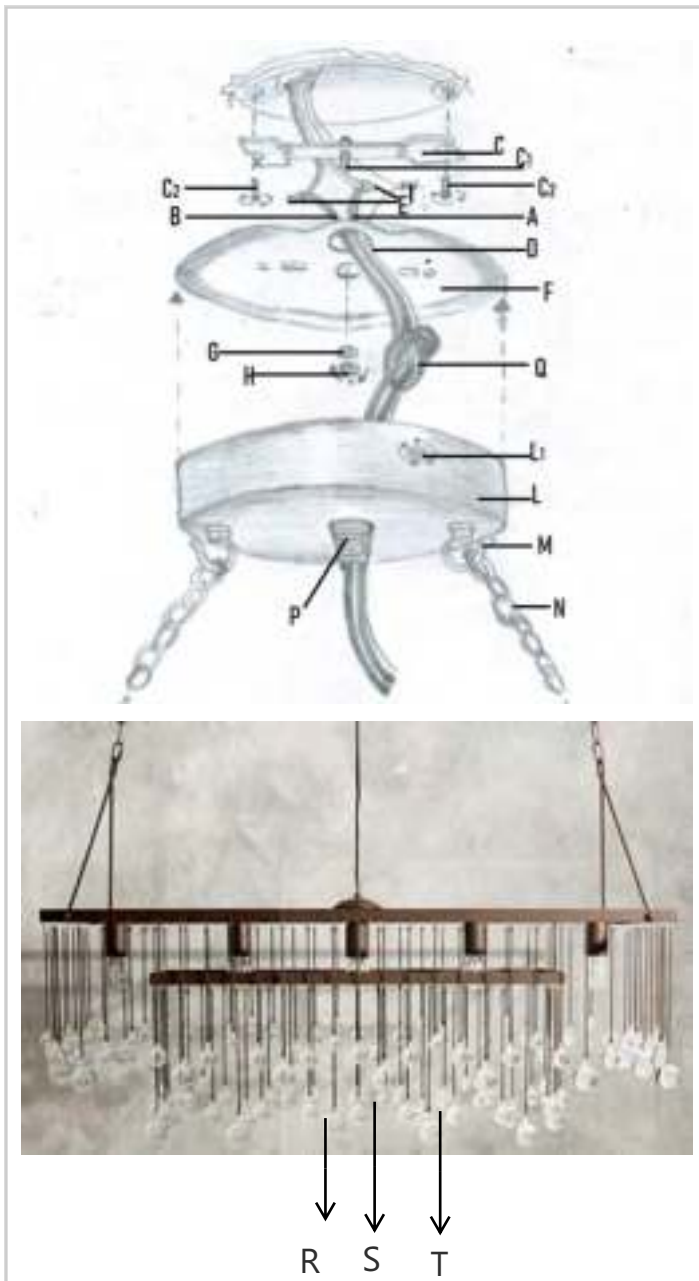
See back of the page for wiring connection details.

## replacement parts assembly:

- To replace glass sphere (R),(S),(T) insert wire clip into the hole on the iron frame. Bend the wire and secure it.

## care instructions:

Clean with dry soft cloth/brush only.  
Do not use water/alcohol or any detergent.



## INSTALLATION INSTRUCTIONS

### INCANDESCENT SURFACE MOUNTED LUMINAIRES:

#### CAUTION

- A PERSON FAMILIAR WITH THE CONSTRUCTION AND OPERATION OF THE PRODUCT MUST INSTALL THIS PRODUCT IN ACCORDANCE WITH THE APPLICABLE INSTALLATION CODE AND THE HAZARDS INVOLVED.

#### WARNING

- The electricity MUST be turned off at the MAIN FUSE BOX before installation of this luminaire; turning the power off using the light switch is not sufficient to prevent electrical shock.
- Luminaires weighing 50 lbs (25 lbs for surface wall) or more must be mounted directly to the building structure, independently of the electrical box; this installation should not be made on a radiant heat type ceiling.

- If a chain-and-canopy luminaire is provided of an individual grounding conductor (bare or insulated), this shall be interwoven through the chain from the luminaire to the canopy.
- If chain-and-canopy luminaire is provided of a SPT-1 power supply cord type, this shall interwoven through the chain from the luminaire to the canopy.
- The luminaires are not intended to support external weight other than provided glasses.

#### WIRE CONNECTION CHART:

Connect Black or Red (Hot) House Wire to:	Connect White (Neutral) House Wire to:
Black (Hot)	White (Neutral)
Parallel cord (round and smooth)	Parallel cord (square or ridged)
Clear, Brown, Gold or Black without tracer	Clear, Brown, Gold or Black with tracer
Insulated wire (other than green) with copper conductor	Insulated wire (other than green) with silver conductor

#### ELECTRICAL CONNECTION:

- 1 Attach grounding wire (green insulated or bare copper) from the supply circuit to the mounting bracket with the green ground attachment screw provided. Connect the grounding wire of the luminaire to the grounding conductor of the supply circuit. Attach all grounding conductors to the mounting bracket with the green ground wire attachment screw.
- 2 Referring to the Wire Connection Chart, connect the black and white wires.

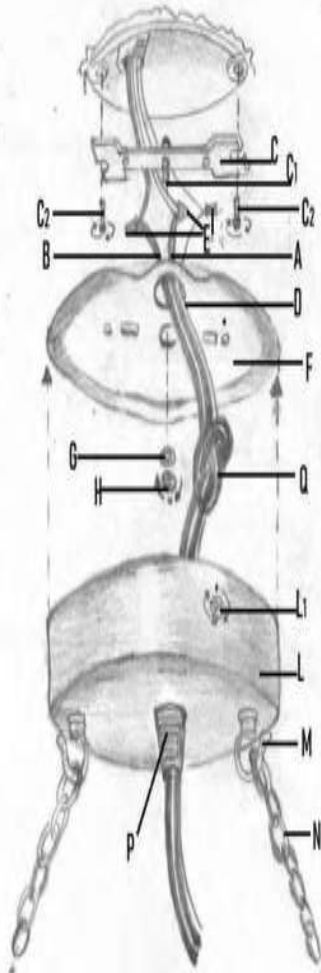
#### CAUTION

No loose strands or loose connections should be present. Secure with U.L. certified wire connectors and electrical tape.

#### FINAL INSTRUCTION:

- 1 Install light bulbs, refer to the relamping label located near the lampholder for recommended wattage. **DO NOT EXCEED THE RECOMMENDED WATTAGE.**
- 2 Restore electricity and check the operation of the luminaire.

In case of change of the article, not previously authorized, the U.L. Certification will be terminated immediately.



## NOTICE DE MONTAGE PLAFONNIERES INCANDESCENTS

### ATTENTION

- Le montage doit être effectué par personnes compétentes selon le code d'installation en vigueur et les risques impliqués.
- La sûreté de l'installation est soumise au correct usage des instructions suivantes.

### AVERTISSEMENT

- Avant d'effectuer chaque opération, couper le courant à la boîte du fusible principale. La mise hors tension grâce à l'interrupteur n'est pas suffisante pour prévenir les chocs électriques.
- Luminaires qui sont lourds 50 Lbs. Ou plus (25 Lbs. Pour appareil mur) doivent être montés directement à la structure du bâtiment, de façon indépendante de la boîte électrique; cette installation ne doit pas être fait sur un plafond avec systèmes de chauffages radiants.
- Dans le cas du luminaire avec chaîne et pavillon, il faut passé les câbles à travers les mailons de la chaîne, soit s'il est équipé avec un câble conducteur de mise à la terre individuelle (nu ou isolé), soit s'il est équipé avec un câble d'alimentation SPT-1.
- Les appareils ne devraient pas porte plus de poids que celle prévue pour les verres décoratif.

#### TABLE CONNEXION CABLES

Connecter le fil de la maison NOIR ou ROUGE (phase) avec:	Connecter le fil de la maison BLANC (neutre) avec:
Noir (Phase)	Blanc (neutre)
Fil parallèle (ronde et lisse)	Fil parallèle (carré ou striée)
Clair, Marron, Or ou Noir SANS traceur	Clair, Marron, or ou Noir AVEC traceur
Fil isolé (autre que Vert) avec conducteur Cuivre	Fil isolé (autre que Vert) avec conducteur Argent

#### CONNEXIONS ÉLECTRIQUES

1. Fixez le fil de terre (vert isolé ou cuivre nu) du circuit d'alimentation au support de montage par la vis vert de fixation de terre fourni.
2. Connectez le fil de mise à la terre du luminaire au conducteur de mise à la terre du circuit d'alimentation. Fixez tous les conducteurs de terre au support de montage avec la vis vert de fixation.
3. Connectez les fils noir et blanc en référant à la table connexion câbles.

#### ATTENTION

Fil libre ou des connexions desserrées ne doivent pas être présents. Fixer avec des connecteurs de fils certifié UL et du ruban électrique.

#### INSTALLATION FINALE

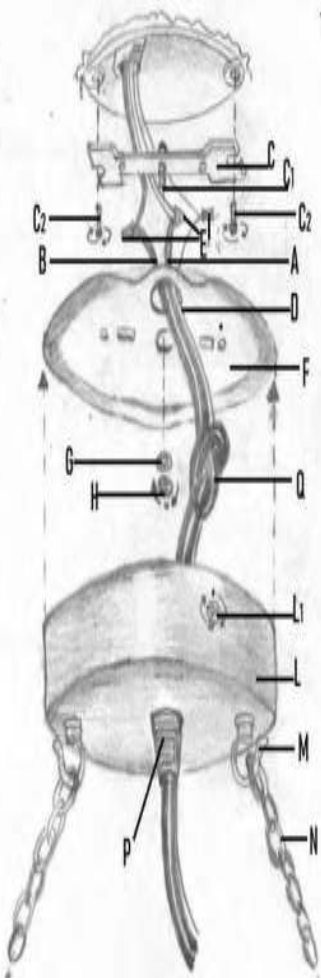
1. Installer des ampoules de puissance recommandée, reportez-vous à l'étiquette de remplacement de la lampe situé en proximité de la douille.
2. Ne pas dépasser la puissance recommandée.

#### AVERTISSEMENT

##### Instructions supplémentaires

Pour la fixation, utiliser les vis fournies et vérifier que le pavillon couvre complètement la boîte de sortie.

En cas de changement d'article, pas autorisé précédemment, la certification U.L. se terminera immédiatement.



# Parts Inventory

Super Category	Product ID	Description	Stat	Collection	Route
LIGHTING	91636H206CN	AUBREY 14.5 CM CANOPY RUST FINISH CANOPY W/ HARDWARE	A	PT-AUBREY	PART
LIGHTING	91636H65CN	AUBREY 14.5 CM SILVER CANOPY GREY SILV FINISH CANOPY W/ HARDWARE	A	PT-AUBREY	PART
LIGHTING	91636H359CN	AUBREY 16.5 CM OVAL CANOPY RUST OVAL CANOPY W/ HARDWARE	A	PT-AUBREY	PART
LIGHTING	91636H74CN	AUBREY 16.5CM OVAL SLVR CANOPY GREY SILV OVAL CANOPY W/ HARDWARE	A	PT-AUBREY	PART
LIGHTING	91636H206CH	AUBREY 4 MM 12 FT CHAIN 4 MM X 3.7 MT RUST FINSH CHAIN	A	PT-AUBREY	PART
LIGHTING	91636H65CH	AUBREY 4 MM 12 FT SILVER CHAIN 4 MM X 3.7 MT GREY SILV FINSH CHAIN	A	PT-AUBREY	PART
LIGHTING	91636H206CH6	AUBREY 4 MM 6 FT CHAIN 4 MM X 1.8 MT RUST FINSH CHAIN	A	PT-AUBREY	PART
LIGHTING	91636H65CH6	AUBREY 4 MM 6 FT SILVER CHAIN 4 MM X 1.8 MT GREY SILV FINSH CHAIN	A	PT-AUBREY	PART
LIGHTING	91636H361CH	AUBREY 5 MM 12 FT CHAIN 5 MM X 3.7 MT RUST FINSH CHAIN	A	PT-AUBREY	PART
LIGHTING	91636H71CH	AUBREY 5 MM 12 FT SILVER CHAIN 5 MM X 3.7 MT GREY SILV FINSH CHAIN	A	PT-AUBREY	PART
LIGHTING	91636H361CH6	AUBREY 5 MM 6 FT CHAIN 5 MM X 1.8 MT RUST FINSH CHAIN	A	PT-AUBREY	PART
LIGHTING	91636H71CH6	AUBREY 5 MM 6 FT SILVER CHAIN 5 MM X 1.8 MT GREY SILV FINSH CHAIN	A	PT-AUBREY	PART
LIGHTING	91636H206F	AUBREY CHANDELIER GLASS FINIAL 40 MM GLASS CHAND FINIAL	A	PT-AUBREY	PART
LIGHTING	91636L434F	AUBREY FLOOR LAMP GLASS FINIAL 40 MM GLASS LAMP FINIAL	A	PT-AUBREY	PART
LIGHTING	91636H206CRL	AUBREY LARGE CRYSTAL W/ ROD 40 MM GLASS SPHERE W/ ROD	A	PT-AUBREY	PART
LIGHTING	91636H65CRL	AUBREY LRG CRYSTAL W/ SLVR ROD 40 MM GLASS SPHERE W/ ROD	A	PT-AUBREY	PART
LIGHTING	91636H65CRM	AUBREY MED CRYSTAL W/ SLVR ROD 30 MM GLASS SPHERE W/ ROD	A	PT-AUBREY	PART
LIGHTING	91636H206CRM	AUBREY MEDIUM CRYSTAL W/ ROD 30 MM GLASS SPHERE W/ ROD	A	PT-AUBREY	PART
LIGHTING	91636H206CRS	AUBREY SMALL CRYSTAL W/ ROD 20 MM GLASS SPHERE W/ ROD	A	PT-AUBREY	PART
LIGHTING	91636H65CRS	AUBREY SML CRYSTAL W/ SLVR ROD 20 MM GLASS SPHERE W/ ROD	A	PT-AUBREY	PART

# AUBREY 12 LTS 4TIERS CHANDELIER-BRASS/DK GOLD #66636H583

# ARHAUS®

your home

## parts enclosed:

- (D) wire nuts (3)
- (E) cross bar set (1)
- (F) cross bar screws (2)
- (I) canopy (1)

## important safety instructions:

1. We recommend installation by a licensed electrician.
2. To avoid the risk of fire, do not exceed the recommended wattage for this fixture.

wattage: 12 x 40W  
type of socket: E12

## warnings:

1. Do not remove the lamp from its packaging by pulling on the power cord, as a bad connection may result.
2. To avoid the risk of fire, electrical shock, or personal injury, turn off lamp and allow it to cool prior to replacing light bulb.
3. Do not touch bulb when fixture is turned on or look directly at lit bulb.
4. Keep flammable materials away from lit bulb.

## to assemble:

- Attach cross bar (E) to the ceiling junction box using the cross bar screws (F).
- Unscrew the collar ring (J).
- Insert the collar loop (H) into the canopy (I).
- Screw the collar ring (J) back.
- Attach the chandelier chain (L) to the collar loop (H) with the quick link (K).

See back of the page for wiring connection details.

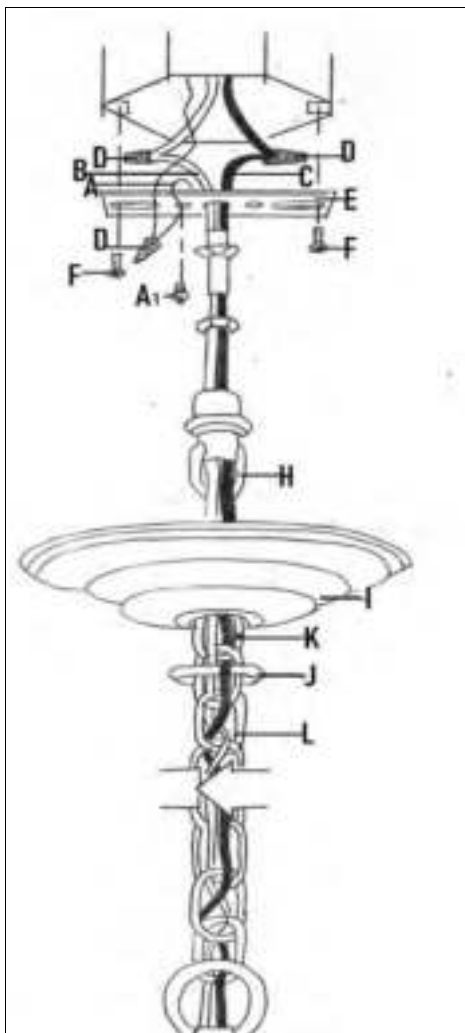
## replacement parts assembly:

- To replace the glass spheres w/rod (N,O, P) Insert wire clip into the hole on the iron frame. Bend the wire and secure it in place
- To replace the finial glass sphere (R) screw the finial ball in the threaded part of the chandelier bottom.

## care instructions:

Clean with dry soft cloth/brush only.  
Do not use water/alcohol or any detergent.





## INSTALLATION INSTRUCTIONS

### INCANDESCENT SURFACE MOUNTED LUMINAIRES:

#### CAUTION

- A PERSON FAMILIAR WITH THE CONSTRUCTION AND OPERATION OF THE PRODUCT MUST INSTALL THIS PRODUCT IN ACCORDANCE WITH THE APPLICABLE INSTALLATION CODE AND THE HAZARDS INVOLVED.

#### WARNING

- The electricity MUST be turned off at the MAIN FUSE BOX before installation of this luminaire; turning the power off using the light switch is not sufficient to prevent electrical shock.
- Luminaires weighing 50 lbs (25 lbs for surface wall) or more must be mounted directly to the building structure, independently of the electrical box; this installation should not be made on a radiant heat type ceiling.

- If a chain-and-canopy luminaire is provided of an individual grounding conductor (bare or insulated), this shall be interwoven through the chain from the luminaire to the canopy.
- If chain-and-canopy luminaire is provided of a SPT-1 power supply cord type, this shall interwoven through the chain from the luminaire to the canopy.
- The luminaires are not intended to support external weight other than provided glasses.

#### - WIRE CONNECTION CHART:

Connect Black or Red (Hot) House Wire to:	Connect White (Neutral) House Wire to:
Black (Hot)	White (Neutral)
Parallel cord (round and smooth)	Parallel cord (square or ridged)
Clear, Brown, Gold or Black without tracer	Clear, Brown, Gold or Black with tracer
Insulated wire (other than green) with copper conductor	Insulated wire (other than green) with silver conductor

#### - ELECTRICAL CONNECTION:

1 Attach grounding wire (green insulated or bare copper) from the supply circuit to the mounting bracket with the green ground attachment screw. Connect the grounding wire of the luminaire to the grounding conductor of the supply circuit. Attach all grounding conductors to the mounting bracket with the green ground wire attachment screw.

2 Referring to the Wire Connection Chart, connect the black and white wires.

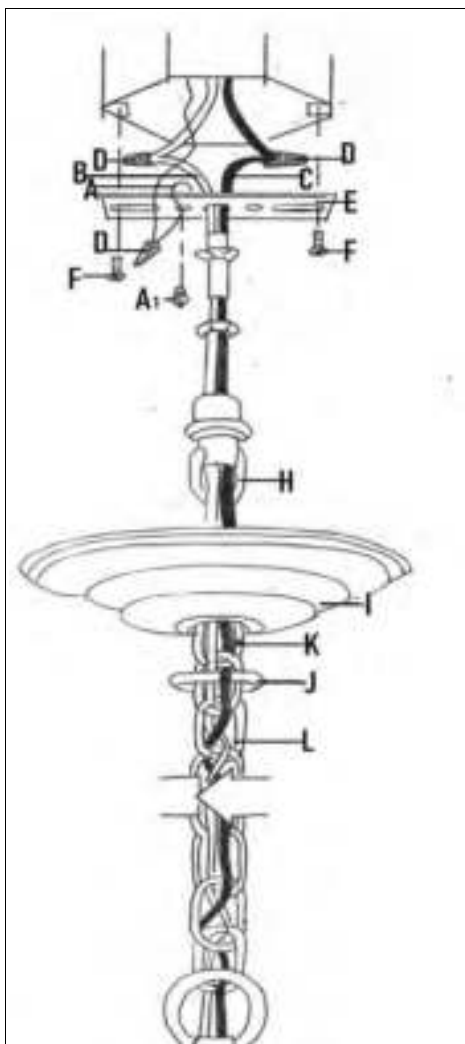
#### CAUTION

No loose strands or loose connections should be present. Secure with U.L. certified wire connectors and electrical tape.

#### - FINAL INSTRUCTION:

- 1 Install light bulbs, refer to the relamping label located near the lampholder for recommended wattage. DO NOT EXCEED THE RECOMMENDED WATTAGE.
- 2 Restore electricity and check the operation of the luminaire.

In case of change of the article, not previously authorized, the UL Certification will be terminated immediately.



## NOTICE DE MONTAGE PLAFONNIERES INCANDESCENTES

### ATTENTION

- Le montage doit être effectué par personnes compétentes selon le code d'installation en vigueur et les risques impliqués.
- La sûreté de l'installation est soumise au correct usage des instructions suivantes

### AVERTISSEMENT

- Avant d'effectuer chaque opération, couper le courant à la boîte du fusible principale. La mise hors tension grâce à l'interrupteur n'est pas suffisante pour prévenir les chocs électriques.
- Luminaires qui sont lourds 50 Lbs. Ou plus (25 Lbs. Pour appareil mur) doivent être montés directement à la structure du bâtiment, de façon indépendante de la boîte électrique; cette installation ne doit pas être fait sur un plafond avec systèmes de chauffages radiants
- Dans le cas du luminaire avec chaîne et pavillon, il faut passé les câbles a travers les maillons de la chaîne, soit s'il est équipé avec un câble conducteur de mise à la terre individuelle (nu ou isolé), soit s'il est équipé avec un câble d'alimentation SPT-1.
- Les appareils ne devraient pas porte plus de poids que celle prévue pour les verres décoratif

#### • TABLE CONNEXION CABLES:

Connecter le fil de la maison NOIR ou ROUGE (phase) avec:	Connecter le fil de la maison BLANC (neutre) avec:
Noir (Phase)	Blanc (neutre)
Fil parallèle (ronde et lisse)	Fil parallèle (carré ou strié)
Clair, Marron, Or ou Noir SANS traceur	Clair, Marron, or ou Noir AVEC traceur
Fil isolé (autre que Vert) avec conducteur Cuivre	Fil isolé (autre que Vert) avec conducteur Argent

#### • CONNEXIONS ÉLECTRIQUES

1. Fixez le fil de terre (vert isolé ou cuivre nu) du circuit d'alimentation au support de montage par la vis vert de fixation de terre fourni.
2. Connectez le fil de mise à la terre du luminaire au conducteur de mise à la terre du circuit d'alimentation. Fixez tous les conducteurs de terre au support de montage avec la vis vert de fixation.
3. Connectez les fils noir et blanc en référant à la table connexion câbles

#### ATTENTION

Fil libre ou des connexions desserrées ne doivent pas être présents. Fixer avec des connecteurs de fils certifié UL et du ruban électrique

#### • INSTALLATION FINALE

1. Installer des ampoules de puissance recommandée, reportez-vous à l'étiquette de remplacement de la lampe situé en proximité de la douille.
2. Ne pas dépasser la puissance recommandée

### AVERTISSEMENT

#### Instructions supplémentaires

Pour la fixation, utiliser les vis fournies et vérifier que le pavillon couvre complètement la boîte de sortie

En cas de changement d'article, pas autorisé précédemment, la certification UL se terminera immédiatement.



# AUBREY 5 LTS CHANDELIER

## BRASS /DK GOLD

### #66636H580

# ARHAUS®

your home

### parts enclosed:

- (D) wire nuts (3)
- (E) cross bar set (1)
- (F) cross bar screws (2)
- (I) canopy (1)



### important safety instructions:

1. We recommend installation by a licensed electrician.
2. To avoid the risk of fire, do not exceed the recommended wattage for this fixture.

wattage: 5 x 40W  
type of socket: E12

### warnings:

1. Do not remove the lamp from its packaging by pulling on the power cord, as a bad connection may result.
2. To avoid the risk of fire, electrical shock, or personal injury, turn off lamp and allow it to cool prior to replacing light bulb.
3. Do not touch bulb when fixture is turned on or look directly at lit bulb.
4. Keep flammable materials away from lit bulb.

### to assemble:

- Attach cross bar (E) to the ceiling junction box using the cross bar screws (F).
- Unscrew the collar ring (J).
- Insert the collar loop (H) into the canopy (I).
- Screw the collar ring (J) back.
- Attach the chandelier chain (L) to the collar loop (H) with the quick link (K).

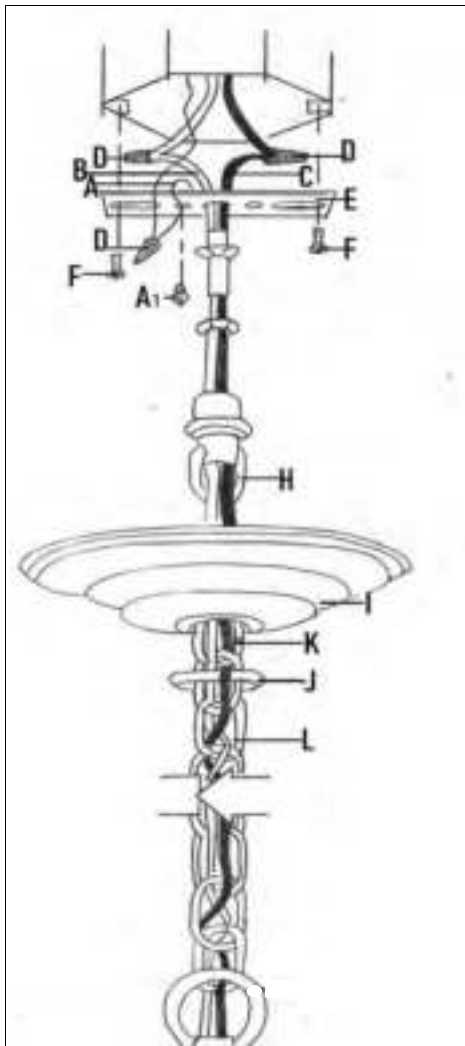
See back of the page for wiring connection details.

### replacement parts assembly:

- To replace the glass spheres w/rod (N,O, P) Insert wire clip into the hole on the iron frame. Bend the wire and secure it in place.
- To replace the finial glass sphere (R) screw the finial ball in the threaded part of the chandelier bottom.

### care instructions:

Clean with dry soft cloth/brush only.  
Do not use water/alcohol or any detergent.



## INSTALLATION INSTRUCTIONS

### INCANDESCENT SURFACE MOUNTED LUMINAIRES:

#### CAUTION

- A PERSON FAMILIAR WITH THE CONSTRUCTION AND OPERATION OF THE PRODUCT MUST INSTALL THIS PRODUCT IN ACCORDANCE WITH THE APPLICABLE INSTALLATION CODE AND THE HAZARDS INVOLVED.

#### WARNING

- The electricity MUST be turned off at the MAIN FUSE BOX before installation of this luminaire; turning the power off using the light switch is not sufficient to prevent electrical shock.
- Luminaires weighing 50 lbs (25 lbs for surface wall) or more must be mounted directly to the building structure, independently of the electrical box; this installation should not be made on a radiant heat type ceiling.

- If a chain-and-canopy luminaire is provided of an individual grounding conductor (bare or insulated), this shall be interwoven through the chain from the luminaire to the canopy.
- If chain-and-canopy luminaire is provided of a SPT-1 power supply cord type, this shall interwoven through the chain from the luminaire to the canopy.
- The luminaires are not intended to support external weight other than provided glasses.

#### - WIRE CONNECTION CHART:

Connect Black or Red (Hot) House Wire to:	Connect White (Neutral) House Wire to:
Black (Hot)	White (Neutral)
Parallel cord (round and smooth)	Parallel cord (square or ridged)
Clear, Brown, Gold or Black without tracer	Clear, Brown, Gold or Black with tracer
Insulated wire (other than green) with copper conductor	Insulated wire (other than green) with silver conductor

#### - ELECTRICAL CONNECTION:

- 1 Attach grounding wire (green insulated or bare copper) from the supply circuit to the mounting bracket with the green ground attachment screw provided. Connect the grounding wire of the luminaire to the grounding conductor of the supply circuit. Attach all grounding conductors to the mounting bracket with the green ground wire attachment screw.
- 2 Referring to the Wire Connection Chart, connect the black and white wires.

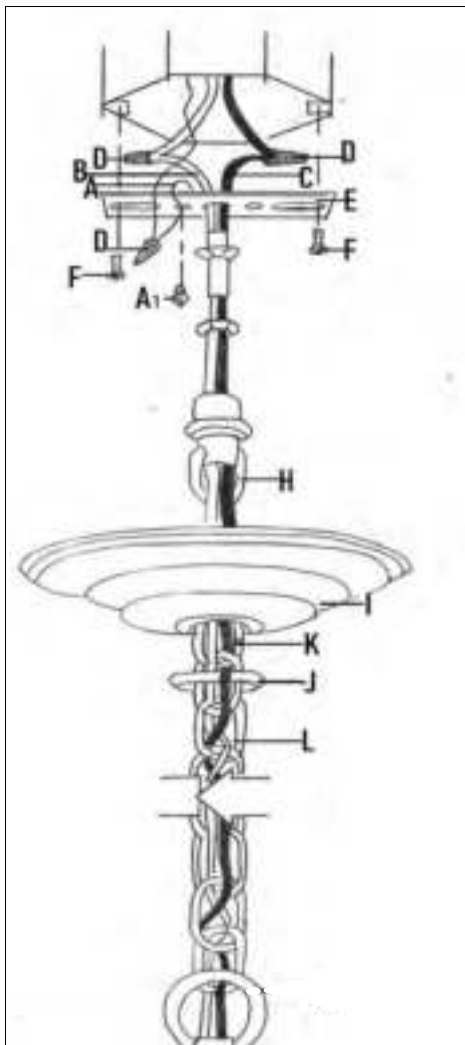
#### CAUTION

No loose strands or loose connections should be present. Secure with U.L. certified wire connectors and electrical tape.

#### - FINAL INSTRUCTION:

- 1 Install light bulbs, refer to the relamping label located near the lampholder for recommended wattage. DO NOT EXCEED THE RECOMMENDED WATTAGE.
- 2 Restore electricity and check the operation of the luminaire.

In case of change of the article, not previously authorized, the U.L. Certification will be terminated immediately.



## NOTICE DE MONTAGE PLAFONNIERES INCANDESCENTES

### ATTENTION

- Le montage doit être effectué par personnes compétentes selon le code d'installation en vigueur et les risques impliqués.
- La sûreté de l'installation est soumise au correct usage des instructions suivantes.

### AVERTISSEMENT

- Avant d'effectuer chaque opération, couper le courant à la boîte du fusible principale. La mise hors tension grâce à l'interrupteur n'est pas suffisante pour prévenir les chocs électriques.
- Luminaires qui sont lourds 50 Lbs. Ou plus (25 Lbs. Pour appareil mur) doivent être montés directement à la structure du bâtiment, de façon indépendante de la boîte électrique; cette installation ne doit pas être fait sur un plafond avec systèmes de chauffages radiants.
- Dans le cas du luminaire avec chaîne et pavillon, il faut passer les câbles à travers les mailons de la chaîne, soit s'il est équipé avec un câble conducteur de mise à la terre individuelle (nu ou isolé), soit s'il est équipé avec un câble d'alimentation SPT-1.
- Les appareils ne devraient pas porte plus de poids que celle prévue pour les verres décoratif.

#### • TABLE CONNEXION CABLES:

Connecter le fil de la maison NOIR ou ROUGE (phase) avec:	Connecter le fil de la maison BLANC (neutre) avec:
Noir (Phase)	Blanc (neutre)
Fil parallèle (ronde et lisse)	Fil parallèle (carré ou striée)
Clair, Marron, Or ou Noir SANS traceur	Clair, Marron, or ou Noir AVEC traceur
Fil isolé (autre que Vert) avec conducteur Cuivre	Fil isolé (autre que Vert) avec conducteur Argent

#### • CONNEXIONS ÉLECTRIQUES

1. Fixez le fil de terre (vert isolé ou cuivre nu) du circuit d'alimentation au support de montage par la vis vert de fixation de terre fourni.
2. Connectez le fil de mise à la terre du luminaire au conducteur de mise à la terre du circuit d'alimentation. Fixez tous les conducteurs de terre au support de montage avec la vis vert de fixation.
3. Connectez les fils noir et blanc en référant à la table connexion câbles.

#### ATTENTION

Fil libre ou des connexions desserrées ne doivent pas être présents. Fixer avec des connecteurs de fils certifié UL et du ruban électrique.

#### • INSTALLATION FINALE

1. Installer des ampoules de puissance recommandée, reportez-vous à l'étiquette de remplacement de la lampe situé en proximité de la douille.
2. Ne pas dépasser la puissance recommandée.

#### AVERTISSEMENT

##### Instructions supplémentaires

Pour la fixation, utiliser les vis fournies et vérifier que le pavillon couvre complètement la boîte de sortie.

En cas de changement d'article, pas autorisé précédemment, la certification U.L. se terminera immédiatement.

# AUBREY BRASS/DK GOLD 7 LTS OVAL CHANDELIER #66636H587

# ARHAUS®

your home

## parts enclosed:

- C2) cross bar screws (2)
- E) wirenut (3)
- L) oval canopy (1)
- P) Locking plastic nut (1)



## important safety instructions:

1. We recommend installation by a licensed electrician.
2. To avoid the risk of fire, do not exceed the recommended wattage for this fixture.

wattage: 7 X 60 W

type socket: E26

## warnings:

1. Do not remove the lamp from its packaging by pulling on the power cord, as a bad connection may result.
2. To avoid the risk of fire, electrical shock, or personal injury, turn off lamp and allow it to cool prior to replacing light bulb.
3. Do not touch bulb when fixture is turned on or look directly at lit bulb.
4. Keep flammable materials away from lit bulb.

## to assemble:

- Disassemble cross bar (C) and metal oval plate (F) from back of the oval canopy (L)
- Unscrew the locking plastic nut (P) from canopy (L)
- Insert wire cord through the locking plastic nut (P) and feed it through the hole in the canopy (L)
- Tighten the locking plastic nut (P)
- Tie the black wires as shown (Q).
- Attach cross bar (C) to the ceiling Junction box using the cross bar screws (C2).
- Attach the metal oval plate (F) to the cross bar (C) using the central cross bar screw(C1), washer(G) and hexnut (H).
- Attach the oval canopy (L) to the metal oval plate (F) using the canopy screws (L1).
- Attach chandelier chains to canopy hook (M).

See back of the page for wiring connection details.

## replacement parts assembly:

- To replace glass sphere (R),(S),(T) insert wire clip into the hole on the iron frame. Bend the wire and secure it.

## care instructions:

- Clean with dry soft cloth/brush only.
- Do not use water/alcohol or any detergent.

## INSTALLATION INSTRUCTIONS

### INCANDESCENT SURFACE MOUNTED LUMINAIRES:

#### CAUTION

- A PERSON FAMILIAR WITH THE CONSTRUCTION AND OPERATION OF THE PRODUCT MUST INSTALL THIS PRODUCT IN ACCORDANCE WITH THE APPLICABLE INSTALLATION CODE AND THE HAZARDS INVOLVED.

#### WARNING

- The electricity MUST be turned off at the MAIN FUSE BOX before installation of this luminaire; turning the power off using the light switch is not sufficient to prevent electrical shock.
- Luminaires weighing 50 lbs (25 lbs for surface wall) or more must be mounted directly to the building structure, independently of the electrical box; this installation should not be made on a radiant heat type ceiling.

- If a chain-and-canopy luminaire is provided of an individual grounding conductor (bare or insulated), this shall be interwoven through the chain from the luminaire to the canopy.
- If chain-and-canopy luminaire is provided of a SPT-1 power supply cord type, this shall interwoven through the chain from the luminaire to the canopy.
- The luminaires are not intended to support external weight other than provided glasses.

#### WIRE CONNECTION CHART:

Connect Black or Red (Hot) House Wire to:	Connect White (Neutral) House Wire to:
Black (Hot)	White (Neutral)
Parallel cord (round and smooth)	Parallel cord (square or ridged)
Clear, Brown, Gold or Black without tracer	Clear, Brown, Gold or Black with tracer
Insulated wire (other than green) with copper conductor	Insulated wire (other than green) with silver conductor

#### ELECTRICAL CONNECTION:

- 1 Attach grounding wire (green insulated or bare copper) from the supply circuit to the mounting bracket with the green ground attachment screw provided. Connect the grounding wire of the luminaire to the grounding conductor of the supply circuit. Attach all grounding conductors to the mounting bracket with the green ground wire attachment screw.
- 2 Referring to the Wire Connection Chart, connect the black and white wires.

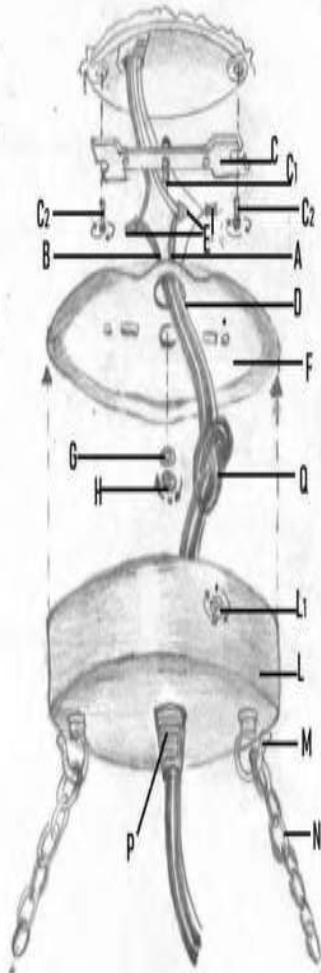
#### CAUTION

No loose strands or loose connections should be present. Secure with U.L. certified wire connectors and electrical tape.

#### FINAL INSTRUCTION:

- 1 Install light bulbs, refer to the relamping label located near the lampholder for recommended wattage. **DO NOT EXCEED THE RECOMMENDED WATTAGE.**
- 2 Restore electricity and check the operation of the luminaire.

In case of change of the article, not previously authorized, the U.L. Certification will be terminated immediately.



## NOTICE DE MONTAGE PLAFONNIERES INCANDESCENTS

### ATTENTION

- Le montage doit être effectué par personnes compétentes selon le code d'installation en vigueur et les risques impliqués.
- La sûreté de l'installation est soumise au correct usage des instructions suivantes.

### AVERTISSEMENT

- Avant d'effectuer chaque opération, couper le courant à la boîte du fusible principale. La mise hors tension grâce à l'interrupteur n'est pas suffisante pour prévenir les chocs électriques.
- Luminaires qui sont lourds 50 Lbs. Ou plus (25 Lbs. Pour appareil mur) doivent être montés directement à la structure du bâtiment, de façon indépendante de la boîte électrique; cette installation ne doit pas être fait sur un plafond avec systèmes de chauffages radiants.
- Dans le cas du luminaire avec chaîne et pavillon, il faut passé les câbles à travers les mailons de la chaîne, soit s'il est équipé avec un câble conducteur de mise à la terre individuelle (nu ou isolé), soit s'il est équipé avec un câble d'alimentation SPT-1.
- Les appareils ne devraient pas porte plus de poids que celle prévue pour les verres décoratif.

#### TABLE CONNEXION CABLES

Connecter le fil de la maison NOIR ou ROUGE (phase) avec:	Connecter le fil de la maison BLANC (neutre) avec:
Noir (Phase)	Blanc (neutre)
Fil parallèle (ronde et lisse)	Fil parallèle (carré ou striée)
Clair, Marron, Or ou Noir SANS traceur	Clair, Marron, or ou Noir AVEC traceur
Fil isolé (autre que Vert) avec conducteur Cuivre	Fil isolé (autre que Vert) avec conducteur Argent

#### CONNEXIONS ÉLECTRIQUES

1. Fixez le fil de terre (vert isolé ou cuivre nu) du circuit d'alimentation au support de montage par la vis vert de fixation de terre fourni.
2. Connectez le fil de mise à la terre du luminaire au conducteur de mise à la terre du circuit d'alimentation. Fixez tous les conducteurs de terre au support de montage avec la vis vert de fixation.
3. Connectez les fils noir et blanc en référant à la table connexion câbles.

#### ATTENTION

Fil libre ou des connexions desserrées ne doivent pas être présents. Fixer avec des connecteurs de fils certifié UL et du ruban électrique.

#### INSTALLATION FINALE

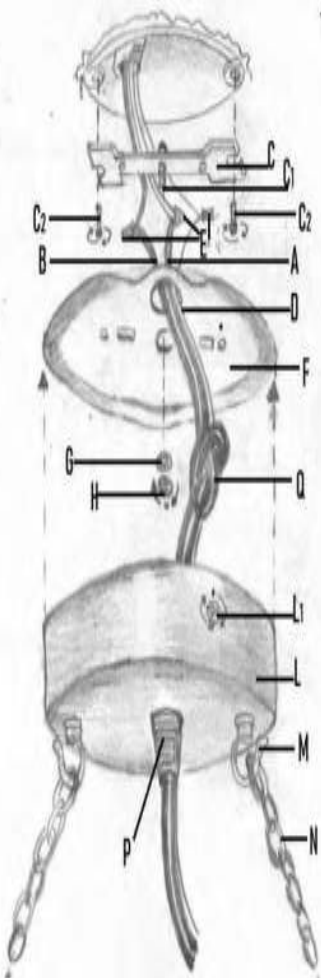
1. Installer des ampoules de puissance recommandée, reportez-vous à l'étiquette de remplacement de la lampe situé en proximité de la douille.
2. Ne pas dépasser la puissance recommandée.

#### AVERTISSEMENT

##### Instructions supplémentaires

Pour la fixation, utiliser les vis fournies et vérifier que le pavillon couvre complètement la boîte de sortie.

En cas de changement d'article, pas autorisé précédemment, la certification U.L. se terminera immédiatement.



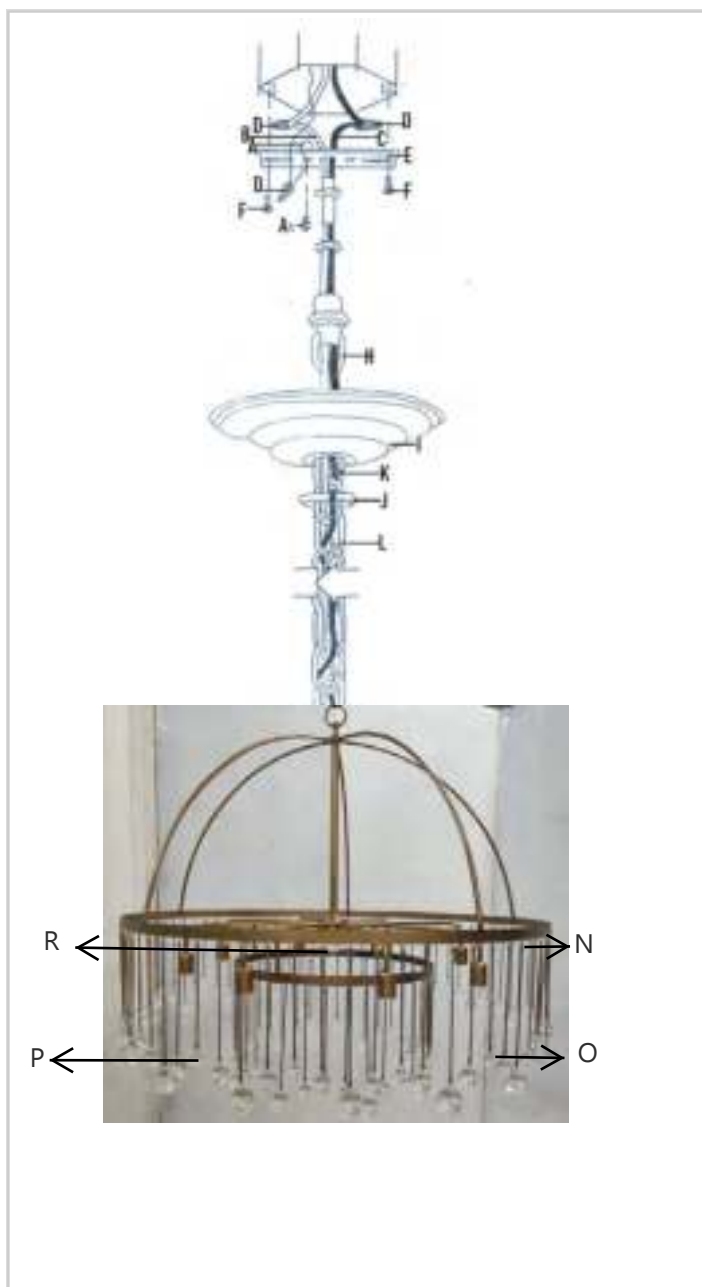
# AUBREY 8 LTS CHANDELIER DM36"-BRASS/DK GOLD #66636H584

# ARHAUS®

your home

## parts enclosed:

- (D) wire nuts (3)
- (E) cross bar set (1)
- (F) cross bar screws (2)
- (I) canopy (1)



## important safety instructions:

1. We recommend installation by a licensed electrician.
2. To avoid the risk of fire, do not exceed the recommended wattage for this fixture.

wattage: 8 x 40W  
type of socket: E12

## warnings:

1. Do not remove the lamp from its packaging by pulling on the power cord, as a bad connection may result.
2. To avoid the risk of fire, electrical shock, or personal injury, turn off lamp and allow it to cool prior to replacing light bulb.
3. Do not touch bulb when fixture is turned on or look directly at lit bulb.
4. Keep flammable materials away from lit bulb.

## to assemble:

- Attach cross bar (E) to the ceiling junction box using the cross bar screws (F).
- Unscrew the collar ring (J).
- Insert the collar loop (H) into the canopy (I).
- Screw the collar ring (J) back.
- Attach the chandelier chain (L) to the collar loop (H) with the quick link (K).

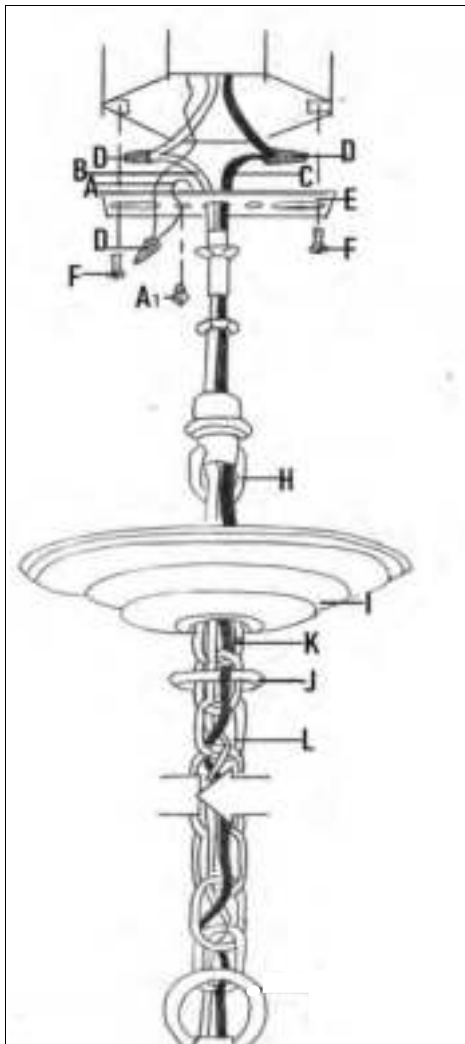
See back of the page for wiring connection details.

## replacement parts assembly:

- To replace the glass spheres w/rod (N,O, P) Insert wire clip into the hole on the iron frame. Bend the wire and secure it in place.
- To replace the finial glass sphere (R) screw the finial ball in the threaded part of the chandelier bottom.

## care instructions:

Clean with dry soft cloth/brush only.  
Do not use water/alcohol or any detergent.



## INSTALLATION INSTRUCTIONS

### INCANDESCENT SURFACE MOUNTED LUMINAIRES:

#### CAUTION

- A PERSON FAMILIAR WITH THE CONSTRUCTION AND OPERATION OF THE PRODUCT MUST INSTALL THIS PRODUCT IN ACCORDANCE WITH THE APPLICABLE INSTALLATION CODE AND THE HAZARDS INVOLVED.

#### WARNING

- The electricity MUST be turned off at the MAIN FUSE BOX before installation of this luminaire; turning the power off using the light switch is not sufficient to prevent electrical shock.
- Luminaires weighing 50 lbs (25 lbs for surface wall) or more must be mounted directly to the building structure, independently of the electrical box; this installation should not be made on a radiant heat type ceiling.

- If a chain-and-canopy luminaire is provided of an individual grounding conductor (bare or insulated), this shall be interwoven through the chain from the luminaire to the canopy.
- If chain-and-canopy luminaire is provided of a SPT-1 power supply cord type, this shall interwoven through the chain from the luminaire to the canopy.
- The luminaires are not intended to support external weight other than provided glasses.

#### - WIRE CONNECTION CHART:

Connect Black or Red (Hot) House Wire to:	Connect White (Neutral) House Wire to:
Black (Hot)	White (Neutral)
Parallel cord (round and smooth)	Parallel cord (square or ridged)
Clear, Brown, Gold or Black without tracer	Clear, Brown, Gold or Black with tracer
Insulated wire (other than green) with copper conductor	Insulated wire (other than green) with silver conductor

#### - ELECTRICAL CONNECTION:

- 1 Attach grounding wire (green insulated or bare copper) from the supply circuit to the mounting bracket with the green ground attachment screw provided. Connect the grounding wire of the luminaire to the grounding conductor of the supply circuit. Attach all grounding conductors to the mounting bracket with the green ground wire attachment screw.
- 2 Referring to the Wire Connection Chart, connect the black and white wires.

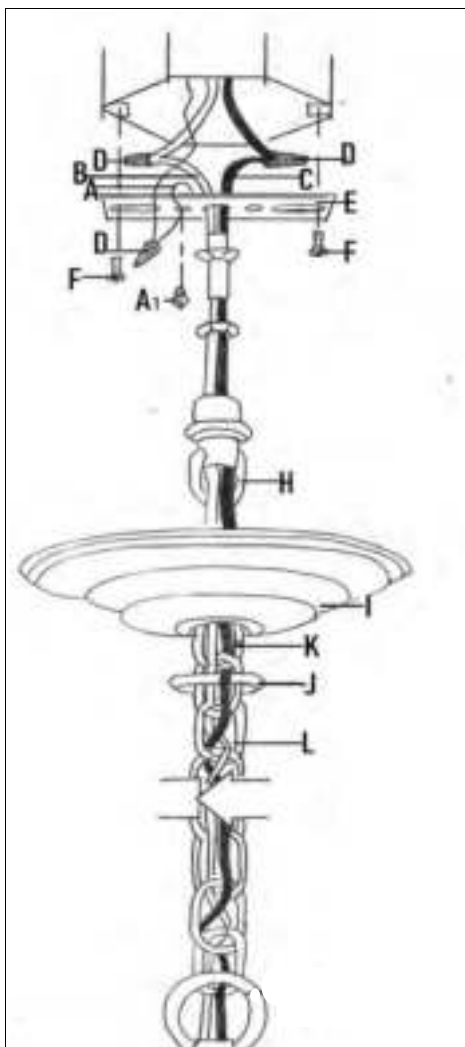
#### CAUTION

No loose strands or loose connections should be present. Secure with U.L. certified wire connectors and electrical tape.

#### - FINAL INSTRUCTION:

- 1 Install light bulbs, refer to the relamping label located near the lampholder for recommended wattage. DO NOT EXCEED THE RECOMMENDED WATTAGE.
- 2 Restore electricity and check the operation of the luminaire.

In case of change of the article, not previously authorized, the U.L. Certification will be terminated immediately.



## NOTICE DE MONTAGE PLAFONNIERES INCANDESCENTES

### ATTENTION

- Le montage doit être effectué par personnes compétentes selon le code d'installation en vigueur et les risques impliqués.
- La sûreté de l'installation est soumise au correct usage des instructions suivantes.

### AVERTISSEMENT

- Avant d'effectuer chaque opération, couper le courant à la boîte du fusible principale. La mise hors tension grâce à l'interrupteur n'est pas suffisante pour prévenir les chocs électriques.
- Luminaires qui sont lourds 50 Lbs. Ou plus (25 Lbs. Pour appareil mur) doivent être montés directement à la structure du bâtiment, de façon indépendante de la boîte électrique; cette installation ne doit pas être fait sur un plafond avec systèmes de chauffages radiants.
- Dans le cas du luminaire avec chaîne et pavillon, il faut passé les câbles à travers les mailons de la chaîne, soit s'il est équipé avec un câble conducteur de mise à la terre individuelle (nu ou isolé), soit s'il est équipé avec un câble d'alimentation SPT-1.
- Les appareils ne devraient pas porte plus de poids que celle prévue pour les verres décoratif.

#### • TABLE CONNEXION CABLES:

Connecter le fil de la maison NOIR ou ROUGE (phase) avec:	Connecter le fil de la maison BLANC (neutre) avec:
Noir (Phase)	Blanc (neutre)
Fil parallèle (ronde et lisse)	Fil parallèle (carré ou striée)
Clair, Marron, Or ou Noir SANS traceur	Clair, Marron, or ou Noir AVEC traceur
Fil isolé (autre que Vert) avec conducteur Cuivre	Fil isolé (autre que Vert) avec conducteur Argent

#### • CONNEXIONS ÉLECTRIQUES

1. Fixez le fil de terre (vert isolé ou cuivre nu) du circuit d'alimentation au support de montage par la vis vert de fixation de terre fourni.
2. Connectez le fil de mise à la terre du luminaire au conducteur de mise à la terre du circuit d'alimentation. Fixez tous les conducteurs de terre au support de montage avec la vis vert de fixation.
3. Connectez les fils noir et blanc en référant à la table connexion câbles.

#### ATTENTION

Fil libre ou des connexions desserrées ne doivent pas être présents. Fixer avec des connecteurs de fils certifié UL et du ruban électrique.

#### • INSTALLATION FINALE

1. Installer des ampoules de puissance recommandée, reportez-vous à l'étiquette de remplacement de la lampe situé en proximité de la douille.
2. Ne pas dépasser la puissance recommandée.

#### AVERTISSEMENT

##### Instructions supplémentaires

Pour la fixation, utiliser les vis fournies et vérifier que le pavillon couvre complètement la boîte de sortie.

En cas de changement d'article, pas autorisé précédemment, la certification U.L. se terminera immédiatement.

# AUBREY 1 LT PENDANT 2 TIERS-BRASS/DK GOLD LAQUER #66636H579

# ARHAUS®

your home

## parts enclosed:

- (D) wire nuts (3)
- (E) cross bar set (1)
- (F) cross bar screws (2)
- (I) canopy (1)

## important safety instructions:

1. We recommend installation by a licensed electrician.
2. To avoid the risk of fire, do not exceed the recommended wattage for this fixture.

wattage: 1 x 60W  
type of socket: E26

## warnings:

1. Do not remove the lamp from its packaging by pulling on the power cord, as a bad connection may result.
2. To avoid the risk of fire, electrical shock, or personal injury, turn off lamp and allow it to cool prior to replacing light bulb.
3. Do not touch bulb when fixture is turned on or look directly at lit bulb.
4. Keep flammable materials away from lit bulb.

## to assemble:

- Attach cross bar (E) to the ceiling junction box using the cross bar screws (F).
- Unscrew the collar ring (J).
- Insert the collar loop (H) into the canopy (I).
- Screw the collar ring (J) back.
- Attach the chandelier chain (L) to the collar loop (H) with the quick link (K).

See back of the page for wiring connection details.

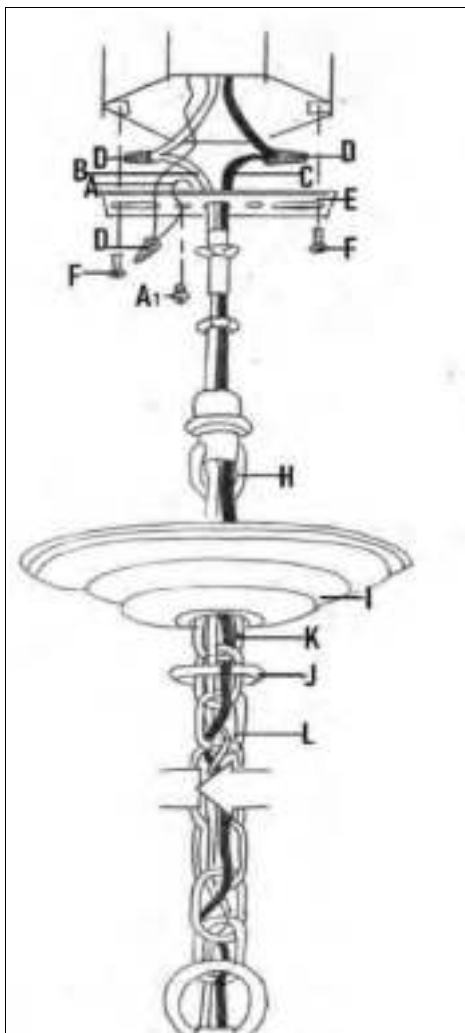
## replacement parts assembly:

- To replace the glass spheres w/rod (N,O, P) Insert wire clip into the hole on the iron frame. Bend the wire and secure it in place.

## care instructions:

Clean with dry soft cloth/brush only.  
Do not use water/alcohol or any detergent.





## INSTALLATION INSTRUCTIONS

### INCANDESCENT SURFACE MOUNTED LUMINAIRES:

#### CAUTION

- A PERSON FAMILIAR WITH THE CONSTRUCTION AND OPERATION OF THE PRODUCT MUST INSTALL THIS PRODUCT IN ACCORDANCE WITH THE APPLICABLE INSTALLATION CODE AND THE HAZARDS INVOLVED.

#### WARNING

- The electricity MUST be turned off at the MAIN FUSE BOX before installation of this luminaire; turning the power off using the light switch is not sufficient to prevent electrical shock.
- Luminaires weighing 50 lbs (25 lbs for surface wall) or more must be mounted directly to the building structure, independently of the electrical box; this installation should not be made on a radiant heat type ceiling.

- If a chain-and-canopy luminaire is provided of an individual grounding conductor (bare or insulated), this shall be interwoven through the chain from the luminaire to the canopy.
- If chain-and-canopy luminaire is provided of a SPT-1 power supply cord type, this shall interwoven through the chain from the luminaire to the canopy.
- The luminaires are not intended to support external weight other than provided glasses.

#### - WIRE CONNECTION CHART:

Connect Black or Red (Hot) House Wire to:	Connect White (Neutral) House Wire to:
Black (Hot)	White (Neutral)
Parallel cord (round and smooth)	Parallel cord (square or ridged)
Clear, Brown, Gold or Black without tracer	Clear, Brown, Gold or Black with tracer
Insulated wire (other than green) with copper conductor	Insulated wire (other than green) with silver conductor

#### - ELECTRICAL CONNECTION:

1. Attach grounding wire (green insulated or bare copper) from the supply circuit to the mounting bracket with the green ground attachment screw provided. Connect the grounding wire of the luminaire to the grounding conductor of the supply circuit. Attach all grounding conductors to the mounting bracket with the green ground wire attachment screw.

2. Referring to the Wire Connection Chart, connect the black and white wires.

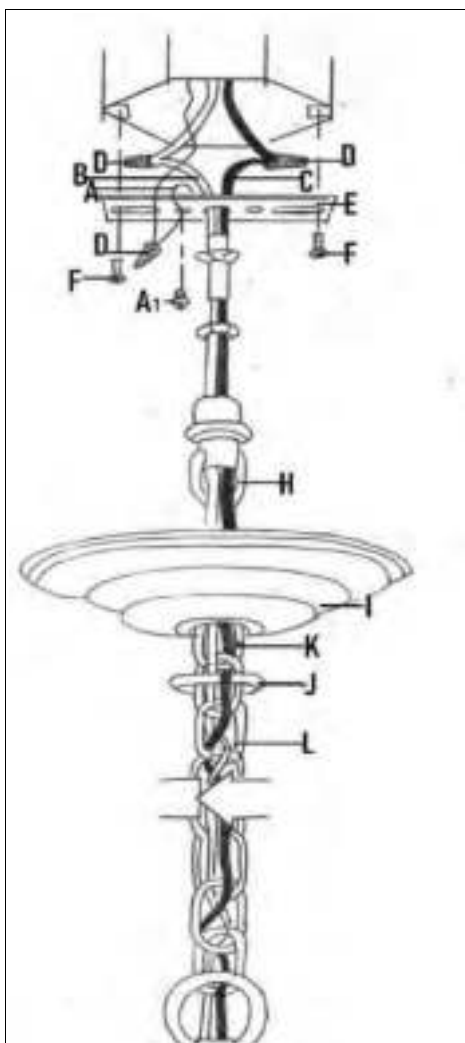
#### CAUTION

No loose strands or loose connections should be present. Secure with U.L. certified wire connectors and electrical tape.

#### - FINAL INSTRUCTION:

1. Install light bulbs, refer to the relamping label located near the lampholder for recommended wattage. DO NOT EXCEED THE RECOMMENDED WATTAGE.
2. Restore electricity and check the operation of the luminaire.

In case of change of the article, not previously authorized, the UL Certification will be terminated immediately.



## NOTICE DE MONTAGE PLAFONNIERES INCANDESCENTS

### ATTENTION

- Le montage doit être effectué par personnes compétentes selon le code d'installation en vigueur et les risques impliqués.
- La sûreté de l'installation est soumise au correct usage des instructions suivantes.

### AVERTISSEMENT

- Avant d'effectuer chaque opération, couper le courant à la boîte du fusible principale. La mise hors tension grâce à l'interrupteur n'est pas suffisante pour prévenir les chocs électriques.
- Luminaires qui sont lourds 50 Lbs. Ou plus (25 Lbs. Pour appareil mur) doivent être montés directement à la structure du bâtiment, de façon indépendante de la boîte électrique; cette installation ne doit pas être fait sur un plafond avec systèmes de chauffages radiants.
- Dans le cas du luminaire avec chaîne et pavillon, il faut passé les câbles a travers les maillons de la chaîne, soit s'il est équipé avec un câble conducteur de mise à la terre individuelle (nu ou isolé), soit s'il est équipé avec un câble d'alimentation SPT-1.
- Les appareils ne devraient pas porte plus de poids que celle prévue pour les verres décoratif.

#### • TABLE CONNEXION CABLES.

Connecter le fil de la maison NOIR ou ROUGE (phase) avec:	Connecter le fil de la maison BLANC (neutre) avec:
Noir (Phase)	Bianc (neutre)
Fil parallèle (ronde et lisse)	Fil parallèle (carré ou atriée)
Clair, Marron, Or ou Noir SANS traceur	Clair, Marron, or ou Noir AVEC traceur
Fil isolé (autre que Vert) avec conducteur Cuivre	Fil isolé (autre que Vert) avec conducteur Argent

#### • CONNEXIONS ÉLECTRIQUES

1. Fixez le fil de terre (vert isolé ou cuivre nu) du circuit d'alimentation au support de montage par la vis vert de fixation de terre fourni.
2. Connectez le fil de mise à la terre du luminaire au conducteur de mise à la terre du circuit d'alimentation. Fixez tous les conducteurs de terre au support de montage avec la vis vert de fixation.
3. Connectez les fils noir et blanc en référant à la table connexion câbles.

#### ATTENTION

Fil libre ou des connexions desserrées ne doivent pas être présents. Fixer avec des connecteurs de fils certifié UL et du ruban électrique.

#### • INSTALLATION FINALE

1. Installer des ampoules de puissance recommandée, reportez-vous à l'étiquette de remplacement de la lampe situé en proximité de la douille.
2. Ne pas dépasser la puissance recommandée.

#### AVERTISSEMENT

##### Instructions supplémentaires

Pour la fixation, utiliser les vis fournies et vérifier que le pavillon couvre complètement la boîte de sortie.

En cas de changement d'article, pas autorisé précédemment, la certification UL se terminera immédiatement.



# AUBREY 4LTS FLUSH MOUNT

## BRASS/DK GOLD

### #66636H585

# ARHAUS®

your home

### parts enclosed:

- (B) Cross bar screws (2)
- (H) wire nuts (3)

### important safety instructions:

1. We recommend installation by a licensed electrician.
2. To avoid the risk of fire, do not exceed the recommended wattage for this fixture.

wattage: x 40W

type of socket: E12

### warnings:

1. Do not remove the lamp from its packaging by pulling on the power cord, as a bad connection may result.
2. To avoid the risk of fire, electrical shock, or personal injury, turn off lamp and allow it to cool prior to replacing light bulb.
3. Do not touch bulb when fixture is turned on or look directly at lit bulb.
4. Keep flammable materials away from lit bulb.

### to assemble:

- Disassemble metal box cover(C) and cross bar(A) from back of the flushmount.
- Attach the cross bar(A) to the electrical box using the cross bar screws (B).
- Attach the metal box cover (C) to the cross bar (A) using the metal box cover screws (D).
- Attach the box of the flushmount (E) to the metal box cover (C) using the screws (F).

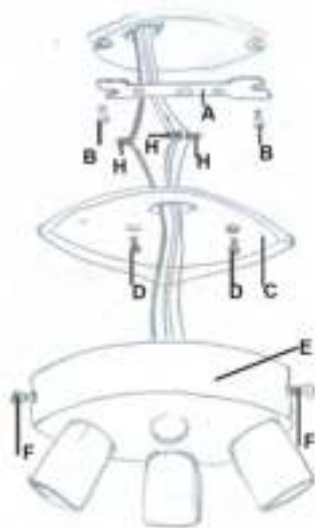
See back of the page for wiring connection details

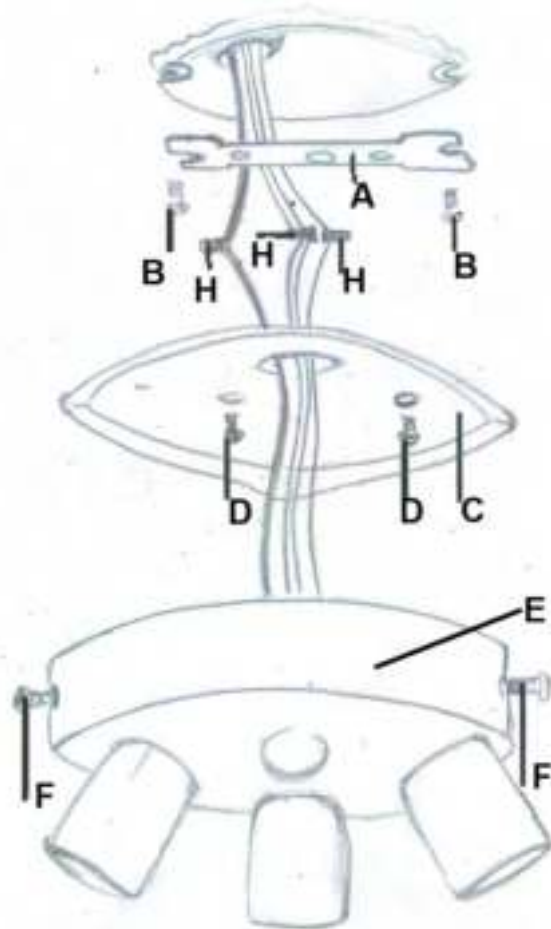
### replacement parts assembly:

- To replace glass sphere (N) insert wire clip into the hole on the iron frame. Bend the wire and secure it.

### care instructions:

Clean with dry soft cloth/brush only.  
Do not use water/alcohol or any detergent.





## INSTALLATION INSTRUCTIONS

### INCANDESCENT SURFACE MOUNTED LUMINAIRES:

#### CAUTION

- A PERSON FAMILIAR WITH THE CONSTRUCTION AND OPERATION OF THE PRODUCT MUST INSTALL THIS PRODUCT IN ACCORDANCE WITH THE APPLICABLE INSTALLATION CODE AND THE HAZARDS INVOLVED.

#### WARNING

- The electricity MUST be turned off at the MAIN FUSE BOX before installation of this luminaire; turning the power off using the light switch is not sufficient to prevent electrical shock.
- Luminaires weighing 50 lbs (25 lbs for surface wall) or more must be mounted directly to the building structure, independently of the electrical box; this installation should not be made on a radiant heat type ceiling.

- If a chain-and-canopy luminaire is provided of an individual grounding conductor (bare or insulated), this shall be interwoven through the chain from the luminaire to the canopy.
- If chain-and-canopy luminaire is provided of a SPT-1 power supply cord type, this shall interwoven through the chain from the luminaire to the canopy.
- The luminaires are not intended to support external weight other than provided glasses.

#### WIRE CONNECTION CHART:

Connect Black or Red (Hot) House Wire to:	Connect White (Neutral) House Wire to:
Black (Hot)	White (Neutral)
Parallél cord (round and smooth)	Parallél cord (square or ridged)
Clear, Brown, Gold or Black without tracer	Clear, Brown, Gold or Black with tracer
(Insulated wire (other than green) with copper conductor	Insulated wire (other than green) with silver conductor

#### ELECTRICAL CONNECTION:

- 1 Attach grounding wire (green insulated or bare copper) from the supply circuit to the mounting bracket with the green ground attachment screw provided. Connect the grounding wire of the luminaire to the grounding conductor of the supply circuit. Attach all grounding conductors to the mounting bracket with the green ground wire attachment screw.
- 2 Referring to the Wire Connection Chart, connect the black and white wires.

#### CAUTION

No loose strands or loose connections should be present. Secure with U.L. certified wire connectors and electrical tape.

#### FINAL INSTRUCTION:

- 1 Install light bulbs; refer to the relamping label located near the lampholder for recommended wattage. DO NOT EXCEED THE RECOMMENDED WATTAGE.
- 2 Restore electricity and check the operation of the luminaire.

In case of change of the article, not previously authorized, the U.L. Certification will be terminated immediately.

## NOTICE DE MONTAGE PLAFONNIERES INCANDESCENTS

### ATTENTION

- Le montage doit être effectué par personnes compétentes selon le code d'installation en vigueur et les risques impliqués.
- La sûreté de l'installation est soumise au correct usage des instructions suivantes.

### AVERTISSEMENT

- Avant d'effectuer chaque opération, couper le courant à la boîte du fusible principale. La mise hors tension grâce à l'interrupteur n'est pas suffisante pour prévenir les chocs électriques.
- Luminaires qui sont lourds 50 Lbs. Ou plus (25 Lbs. Pour appareil mur) doivent être montés directement à la structure du bâtiment, de façon indépendante de la boîte électrique; cette installation ne doit pas être fait sur un plafond avec systèmes de chauffages radiants.
- Dans le cas du luminaire avec chaîne et pavillon, il faut passé les câbles à travers les mailons de la chaîne, soit s'il est équipé avec un câble conducteur de mise à la terre individuelle (nu ou isolé), soit s'il est équipé avec un câble d'alimentation SPT-1.
- Les appareils ne devraient pas porte plus de poids que celle prévue pour les verres décoratif.

#### TABLE CONNEXION CABLES

Connecter le fil de la maison NOIR ou ROUGE (phase) avec:	Connecter le fil de la maison BLANC (neutre) avec:
Noir (Phase)	Bianc (neutre)
Fil parallèle (ronde et lisse)	Fil parallèle (carré ou striée)
Clair, Marron, Or ou Noir SANS traceur	Clair, Marron, or ou Noir AVEC traceur
Fil isolé (autre que Vert) avec conducteur Cuivre	Fil isolé (autre que Vert) avec conducteur Argent

#### CONNEXIONS ÉLECTRIQUES

- 1 Fixez le fil de terre (vert isolé ou cuivre nu) du circuit d'alimentation au support de montage par la vis vert de fixation de terre fourni.
- 2 Connectez le fil de mise à la terre du luminaire au conducteur de mise à la terre du circuit d'alimentation. Fixez tous les conducteurs de terre au support de montage avec la vis vert de fixation.
- 3 Connectez les fils noir et blanc en référant à la table connexion câbles.

### ATTENTION

Fi libre ou des connexions desserrées ne doivent pas être présents. Fixer avec des connecteurs de fils certifié UL et du ruban électrique.

#### INSTALLATION FINALE

- 1 Installer des ampoules de puissance recommandée, reportez-vous à l'étiquette de remplacement de la lampe situé en proximité de la douille.
- 2 Ne pas dépasser la puissance recommandée.

### AVERTISSEMENT

#### Instructions supplémentaires

Pour la fixation, utiliser les vis fournies et vérifier que le pavillon couvre complètement la boîte de sortie.

En cas de changement d'article, pas autorisé précédemment, la certification U.L. se terminera immédiatement.

# AUBREY LARGE RECTANGULAR 5 LTS CHANDELIER-BRASS/DK GOLD #66636H582

# ARHAUS®

your home

## parts enclosed:

- C2) cross bar screws (2)
- E) wirenut (3)
- L) oval canopy (1)
- P) Locking plastic nut (1)

## important safety instructions:

1. We recommend installation by a licensed electrician.
2. To avoid the risk of fire, do not exceed the recommended wattage for this fixture.

wattage: 5 X 60 W  
type socket: E26

## warnings:

1. Do not remove the lamp from its packaging by pulling on the power cord, as a bad connection may result.
2. To avoid the risk of fire, electrical shock, or personal injury, turn off lamp and allow it to cool prior to replacing light bulb.
3. Do not touch bulb when fixture is turned on or look directly at lit bulb.
4. Keep flammable materials away from lit bulb.

## to assemble:

- Disassemble cross bar (C) and metal oval plate (F) from back of the oval canopy (L)
- Unscrew the locking plastic nut (P) from canopy (L)
- Insert wire cord through the locking plastic nut (P) and feed it through the hole in the canopy (L)
- Tighten the locking plastic nut (P)
- Tie the black wires as shown (Q).
- Attach cross bar (C) to the ceiling Junction box using the cross bar screws (C2).
- Attach the metal oval plate (F) to the cross bar (C) using the central cross bar screw(C1), washer(G) and hexnut (H).
- Attach the oval canopy (L) to the metal oval plate (F) using the canopy screws (L1).
- Attach chandelier chains to canopy hook (M).

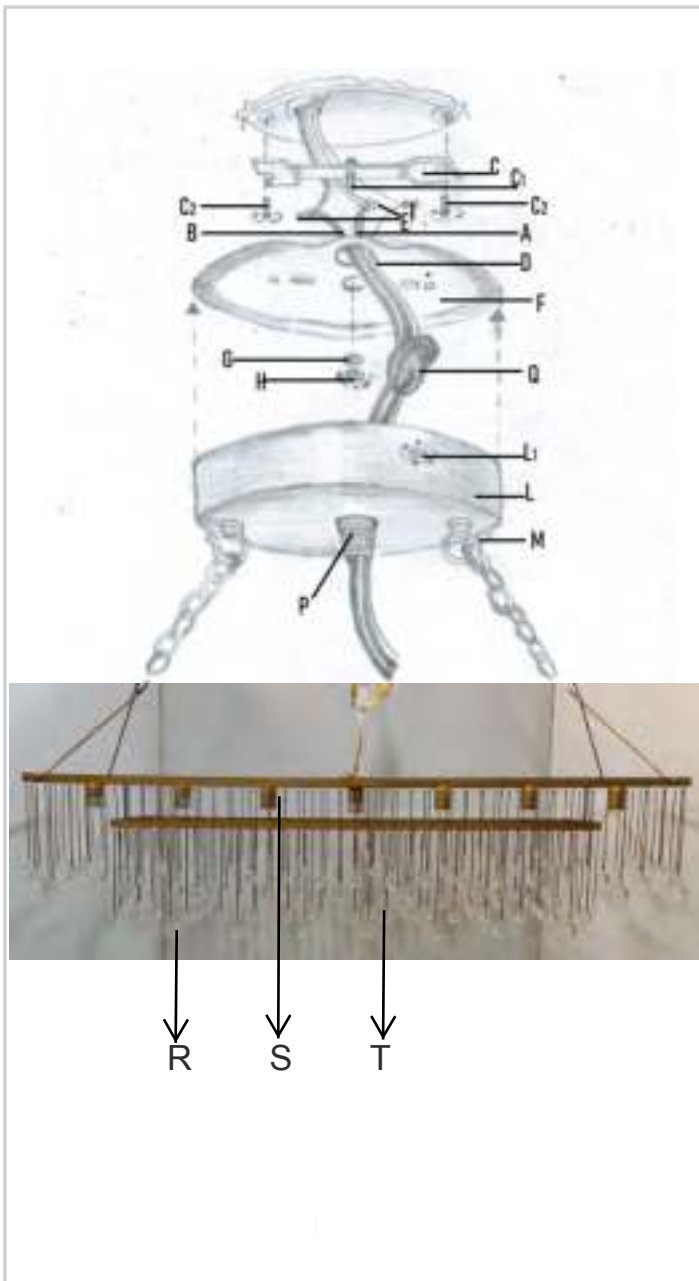
See back of the page for wiring connection details.

## replacement parts assembly:

- To replace glass sphere (R),(S),(T) insert wire clip into the hole on the iron frame. Bend the wire and secure it.

## care instructions:

- Clean with dry soft cloth/brush only.
- Do not use water/alcohol or any detergent.



## INSTALLATION INSTRUCTIONS

### INCANDESCENT SURFACE MOUNTED LUMINAIRES:

#### CAUTION

- A PERSON FAMILIAR WITH THE CONSTRUCTION AND OPERATION OF THE PRODUCT MUST INSTALL THIS PRODUCT IN ACCORDANCE WITH THE APPLICABLE INSTALLATION CODE AND THE HAZARDS INVOLVED.

#### WARNING

- The electricity MUST be turned off at the MAIN FUSE BOX before installation of this luminaire; turning the power off using the light switch is not sufficient to prevent electrical shock.
- Luminaires weighing 50 lbs (25 lbs for surface wall) or more must be mounted directly to the building structure, independently of the electrical box; this installation should not be made on a radiant heat type ceiling.

- If a chain-and-canopy luminaire is provided of an individual grounding conductor (bare or insulated), this shall be interwoven through the chain from the luminaire to the canopy.
- If chain-and-canopy luminaire is provided of a SPT-1 power supply cord type, this shall interwoven through the chain from the luminaire to the canopy.
- The luminaires are not intended to support external weight other than provided glasses.

#### - WIRE CONNECTION CHART:

Connect Black or Red (Hot) House Wire to:	Connect White (Neutral) House Wire to:
Black (Hot)	White (Neutral)
Parallel cord (round and smooth)	Parallel cord (square or ridged)
Clear, Brown, Gold or Black without tracer	Clear, Brown, Gold or Black with tracer
Insulated wire (other than green) with copper conductor	Insulated wire (other than green) with silver conductor

#### - ELECTRICAL CONNECTION:

1 Attach grounding wire (green insulated or bare copper) from the supply circuit to the mounting bracket with the green ground attachment screw provided. Connect the grounding wire of the luminaire to the grounding conductor of the supply circuit. Attach all grounding conductors to the mounting bracket with the green ground wire attachment screw.

2 Referring to the Wire Connection Chart, connect the black and white wires.

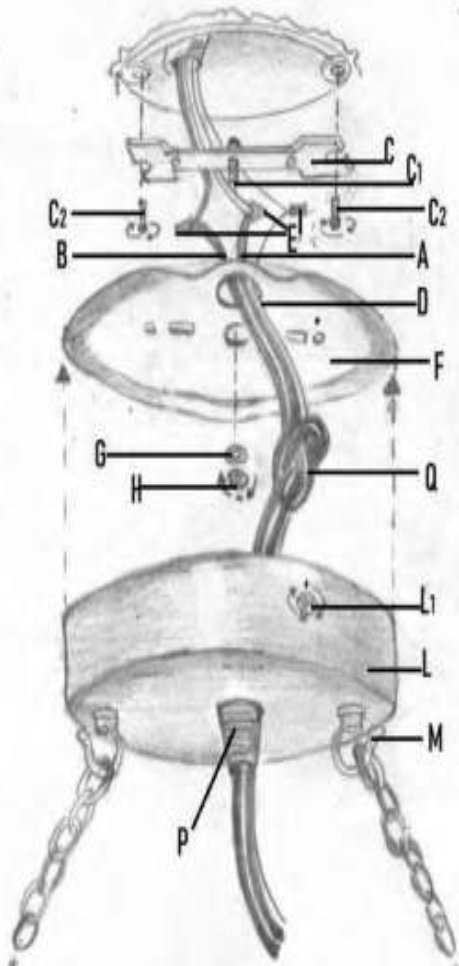
#### CAUTION

No loose strands or loose connections should be present. Secure with U.L. certified wire connectors and electrical tape.

#### - FINAL INSTRUCTION:

- 1 Install light bulbs, refer to the relamping label located near the lampholder for recommended wattage. **DO NOT EXCEED THE RECOMMENDED WATTAGE.**
- 2 Restore electricity and check the operation of the luminaire.

In case of change of the article, not previously authorized, the U.L. Certification will be terminated immediately.



## NOTICE DE MONTAGE PLAFONNIERES INCANDESCENTES

### ATTENTION

- Le montage doit être effectué par personnes compétentes selon le code d'installation en vigueur et les risques impliqués.
- La sûreté de l'installation est soumise au correct usage des instructions suivantes.

### AVERTISSEMENT

- Avant d'effectuer chaque opération, couper le courant à la boîte du fusible principale. La mise hors tension grâce à l'interrupteur n'est pas suffisante pour prévenir les chocs électriques.
- Luminaires qui sont lourds 50 Lbs. Ou plus (25 Lbs. Pour appareil mur) doivent être montés directement à la structure du bâtiment, de façon indépendante de la boîte électrique; cette installation ne doit pas être fait sur un plafond avec systèmes de chauffages radiants.
- Dans le cas du luminaire avec chaîne et pavillon, il faut passé les câbles à travers les mailons de la chaîne, soit s'il est équipé avec un câble conducteur de mise à la terre individuelle (nu ou isolé), soit s'il est équipé avec un câble d'alimentation SPT-1.
- Les appareils ne devraient pas porte plus de poids que celle prévue pour les verres décoratif.

#### • TABLE CONNEXION CABLES

Connecter le fil de la maison NOIR ou ROUGE (phase) avec:	Connecter le fil de la maison BLANC (neutre) avec:
Noir (Phase)	Bianc (neutre)
Fil parallèle (ronde et lisse)	Fil parallèle (carré ou strié)
Clair, Marron, Or ou Noir SANS traceur	Clair, Marron, or ou Noir AVEC traceur
Fil isolé (autre que Vert) avec conducteur Cuivre	Fil isolé (autre que Vert) avec conducteur Argent

#### • CONNEXIONS ÉLECTRIQUES

1. Fixez le fil de terre (vert isolé ou cuivre nu) du circuit d'alimentation au support de montage par la vis vert de fixation de terre fourni.
2. Connectez le fil de mise à la terre du luminaire au conducteur de mise à la terre du circuit d'alimentation. Fixez tous les conducteurs de terre au support de montage avec la vis vert de fixation.
3. Connectez les fils noir et blanc en référant à la table connexion câbles.

### ATTENTION

Fil libre ou des connexions desserrées ne doivent pas être présents. Fixer avec des connecteurs de fils certifié UL et du ruban électrique.

#### • INSTALLATION FINALE

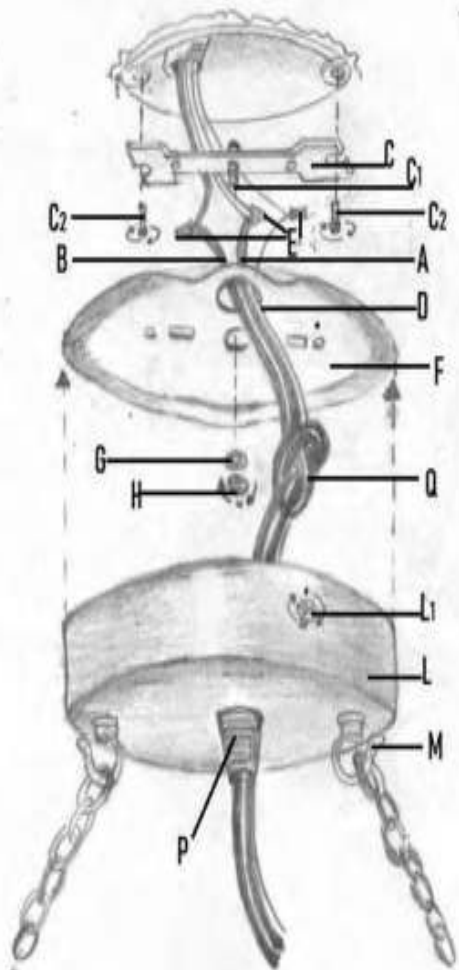
1. installer des ampoules de puissance recommandée, reportez-vous à l'étiquette de remplacement de la lampe situé en proximité de la douille.
2. Ne pas dépasser la puissance recommandée.

### AVERTISSEMENT

#### Instructions supplémentaires

Pour la fixation, utiliser les vis fournies et vérifier que le pavillon couvre complètement la boîte de sortie.

In case of change of the article, not previously authorized, the U.L. Certification will be terminated immediately.



# AUBREY 7 LTS RECT XL CHANDELIER BRASS/DK GOLD #66636H586

# ARHAUS®

your home

## parts enclosed:

- C2) cross bar screws (2)
- E) wirenut (3)
- L) oval canopy (1)
- P) Locking plastic nut (1)

## important safety instructions:

1. We recommend installation by a licensed electrician.
2. To avoid the risk of fire, do not exceed the recommended wattage for this fixture.

wattage: 7 X 60 W

type socket: E26

## warnings:

1. Do not remove the lamp from its packaging by pulling on the power cord, as a bad connection may result.
2. To avoid the risk of fire, electrical shock, or personal injury, turn off lamp and allow it to cool prior to replacing light bulb.
3. Do not touch bulb when fixture is turned on or look directly at lit bulb.
4. Keep flammable materials away from lit bulb.

## to assemble:

- Disassemble cross bar (C) and metal oval plate (F) from back of the oval canopy (L)
- Unscrew the locking plastic nut (P) from canopy (L)
- Insert wire cord through the locking plastic nut (P) and feed it through the hole in the canopy (L)
- Tighten the locking plastic nut (P)
- Tie the black wires as shown (Q).
- Attach cross bar (C) to the ceiling Junction box using the cross bar screws (C2).
- Attach the metal oval plate (F) to the cross bar (C) using the central cross bar screw(C1), washer(G) and hexnut (H).
- Attach the oval canopy (L) to the metal oval plate (F) using the canopy screws (L1).
- Attach chandelier chains to canopy hook (M).

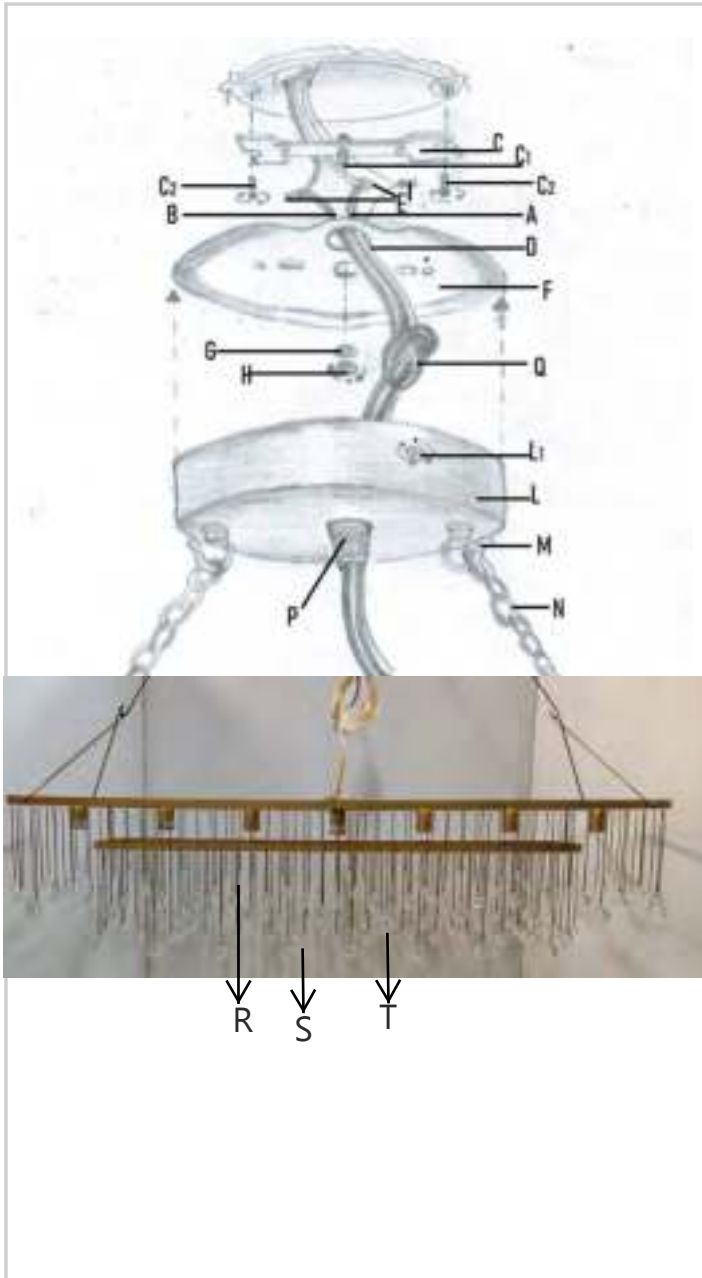
See back of the page for wiring connection details.

## replacement parts assembly:

- To replace glass sphere (R),(S),(T) insert wire clip into the hole on the iron frame. Bend the wire and secure it.

## care instructions:

- Clean with dry soft cloth/brush only.
- Do not use water/alcohol or any detergent.



## INSTALLATION INSTRUCTIONS

### INCANDESCENT SURFACE MOUNTED LUMINAIRES:

#### CAUTION

- A PERSON FAMILIAR WITH THE CONSTRUCTION AND OPERATION OF THE PRODUCT MUST INSTALL THIS PRODUCT IN ACCORDANCE WITH THE APPLICABLE INSTALLATION CODE AND THE HAZARDS INVOLVED.

#### WARNING

- The electricity MUST be turned off at the MAIN FUSE BOX before installation of this luminaire; turning the power off using the light switch is not sufficient to prevent electrical shock.
- Luminaires weighing 50 lbs (25 lbs for surface wall) or more must be mounted directly to the building structure, independently of the electrical box; this installation should not be made on a radiant heat type ceiling.

- If a chain-and-canopy luminaire is provided of an individual grounding conductor (bare or insulated), this shall be interwoven through the chain from the luminaire to the canopy.
- If chain-and-canopy luminaire is provided of a SPT-1 power supply cord type, this shall interwoven through the chain from the luminaire to the canopy.
- The luminaires are not intended to support external weight other than provided glasses.

#### WIRE CONNECTION CHART:

Connect Black or Red (Hot) House Wire to:	Connect White (Neutral) House Wire to:
Black (Hot)	White (Neutral)
Parallel cord (round and smooth)	Parallel cord (square or ridged)
Clear, Brown, Gold or Black without tracer	Clear, Brown, Gold or Black with tracer
Insulated wire (other than green) with copper conductor	Insulated wire (other than green) with silver conductor

#### ELECTRICAL CONNECTION:

- 1 Attach grounding wire (green insulated or bare copper) from the supply circuit to the mounting bracket with the green ground attachment screw provided. Connect the grounding wire of the luminaire to the grounding conductor of the supply circuit. Attach all grounding conductors to the mounting bracket with the green ground wire attachment screw.
- 2 Referring to the Wire Connection Chart, connect the black and white wires.

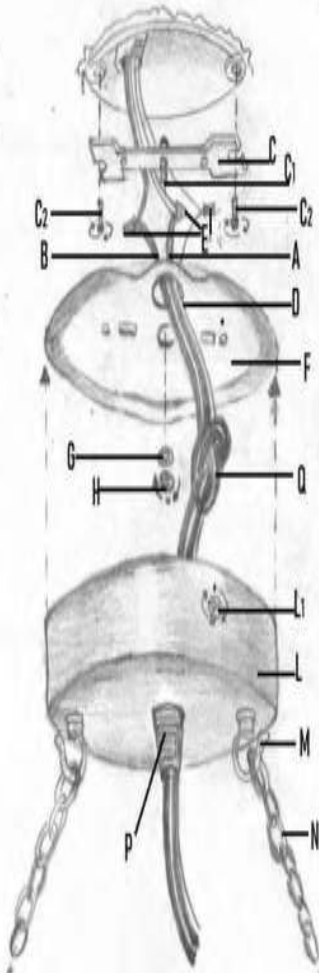
#### CAUTION

No loose strands or loose connections should be present. Secure with U.L. certified wire connectors and electrical tape.

#### FINAL INSTRUCTION:

- 1 Install light bulbs, refer to the relamping label located near the lampholder for recommended wattage. **DO NOT EXCEED THE RECOMMENDED WATTAGE.**
- 2 Restore electricity and check the operation of the luminaire.

In case of change of the article, not previously authorized, the U.L. Certification will be terminated immediately.



## NOTICE DE MONTAGE PLAFONNIERES INCANDESCENTS

### ATTENTION

- Le montage doit être effectué par personnes compétentes selon le code d'installation en vigueur et les risques impliqués.
- La sûreté de l'installation est soumise au correct usage des instructions suivantes.

### AVERTISSEMENT

- Avant d'effectuer chaque opération, couper le courant à la boîte du fusible principale. La mise hors tension grâce à l'interrupteur n'est pas suffisante pour prévenir les chocs électriques.
- Luminaires qui sont lourds 50 Lbs. Ou plus (25 Lbs. Pour appareil mur) doivent être montés directement à la structure du bâtiment, de façon indépendante de la boîte électrique; cette installation ne doit pas être fait sur un plafond avec systèmes de chauffages radiants.
- Dans le cas du luminaire avec chaîne et pavillon, il faut passé les câbles à travers les mailles de la chaîne, soit s'il est équipé avec un câble conducteur de mise à la terre individuelle (nu ou isolé), soit s'il est équipé avec un câble d'alimentation SPT-1.
- Les appareils ne devraient pas porte plus de poids que celle prévue pour les verres décoratif.

#### TABLE CONNEXION CABLES

Connecter le fil de la maison NOIR ou ROUGE (phase) avec:	Connecter le fil de la maison BLANC (neutre) avec:
Noir (Phase)	Blanc (neutre)
Fil parallèle (ronde et lisse)	Fil parallèle (carré ou striée)
Clair, Marron, Or ou Noir SANS traceur	Clair, Marron, or ou Noir AVEC traceur
Fil isolé (autre que Vert) avec conducteur Cuivre	Fil isolé (autre que Vert) avec conducteur Argent

#### CONNEXIONS ÉLECTRIQUES

1. Fixez le fil de terre (vert isolé ou cuivre nu) du circuit d'alimentation au support de montage par la vis vert de fixation de terre fourni.
2. Connectez le fil de mise à la terre du luminaire au conducteur de mise à la terre du circuit d'alimentation. Fixez tous les conducteurs de terre au support de montage avec la vis vert de fixation.
3. Connectez les fils noir et blanc en référant à la table connexion câbles.

#### ATTENTION

Fil libre ou des connexions desserrées ne doivent pas être présents. Fixer avec des connecteurs de fils certifié UL et du ruban électrique.

#### INSTALLATION FINALE

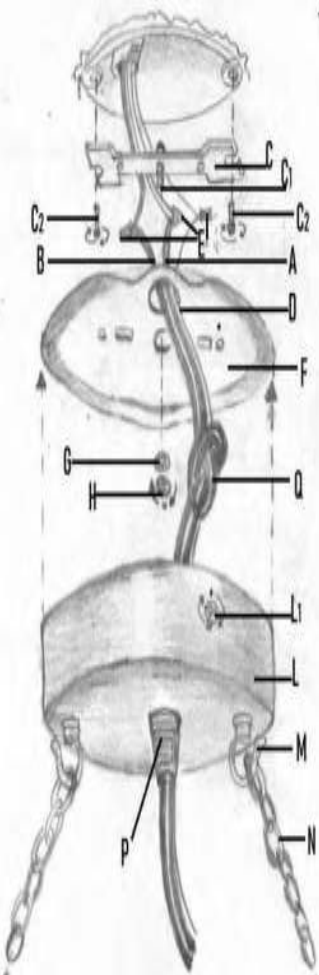
1. Installer des ampoules de puissance recommandée, reportez-vous à l'étiquette de remplacement de la lampe situé en proximité de la douille.
2. Ne pas dépasser la puissance recommandée.

#### AVERTISSEMENT

##### Instructions supplémentaires

Pour la fixation, utiliser les vis fournies et vérifier que le pavillon couvre complètement la boîte de sortie.

En cas de changement d'article, pas autorisé précédemment, la certification U.L. se terminera immédiatement.



# AUBREY 2 LTS WALL SCONCE

## BRASS/DK GOLD

### #66636H581

# ARHAUS®

your home

### parts enclosed:

- (B) Cross bar screws (2)
- (H) wire nuts (3)

### important safety instructions:

1. We recommend installation by a licensed electrician.
2. To avoid the risk of fire, do not exceed the recommended wattage for this fixture.  
wattage: 2 x 40W  
type of socket: E12

### warnings:

1. Do not remove the lamp from its packaging by pulling on the power cord, as a bad connection may result.
2. To avoid the risk of fire, electrical shock, or personal injury, turn off lamp and allow it to cool prior to replacing light bulb.
3. Do not touch bulb when fixture is turned on or look directly at lit bulb.
4. Keep flammable materials away from lit bulb.

### to assemble:

- Disassemble metal box cover(C) and cross bar(A) from back of the sconce
- Attach the cross bar(A) to the electrical box using the cross bar screws (B)
- Attach the metal box cover (C) to the cross bar (A) using the metal box cover screws (D)
- Attach the box of the sconce (E) to the metal box cover (C) using the screws (F)

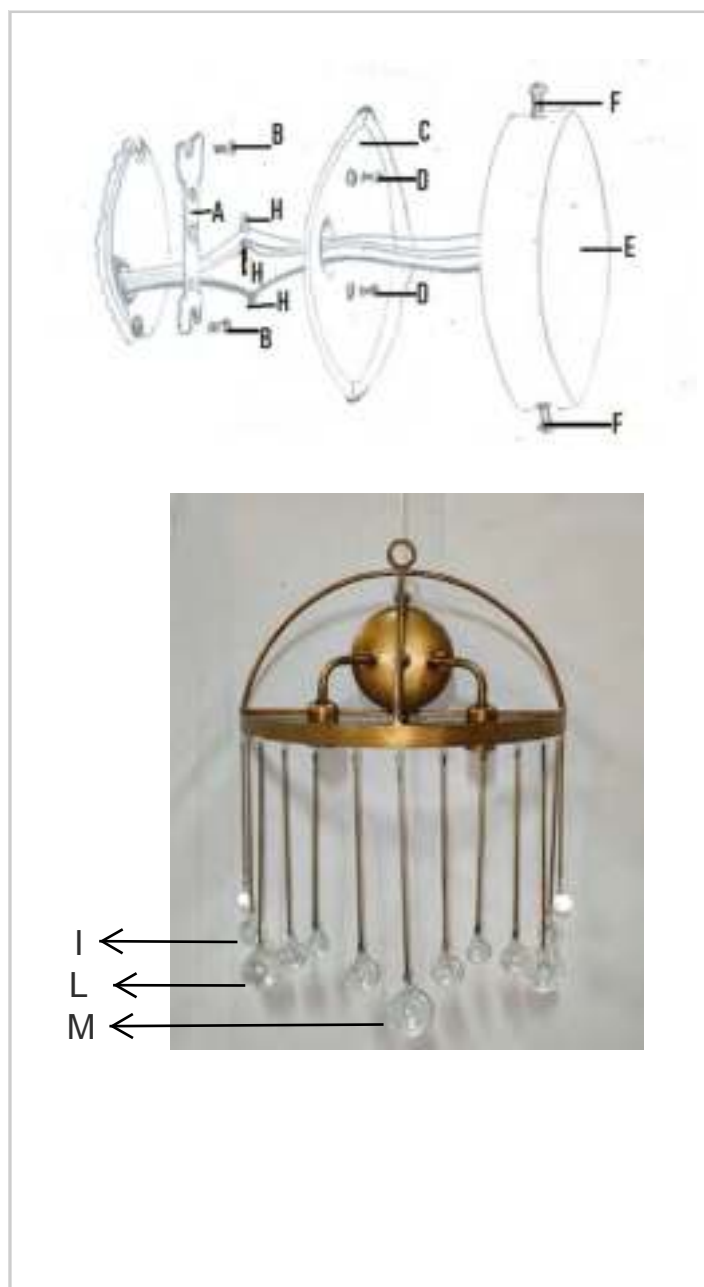
See back of the page for wiring connection details

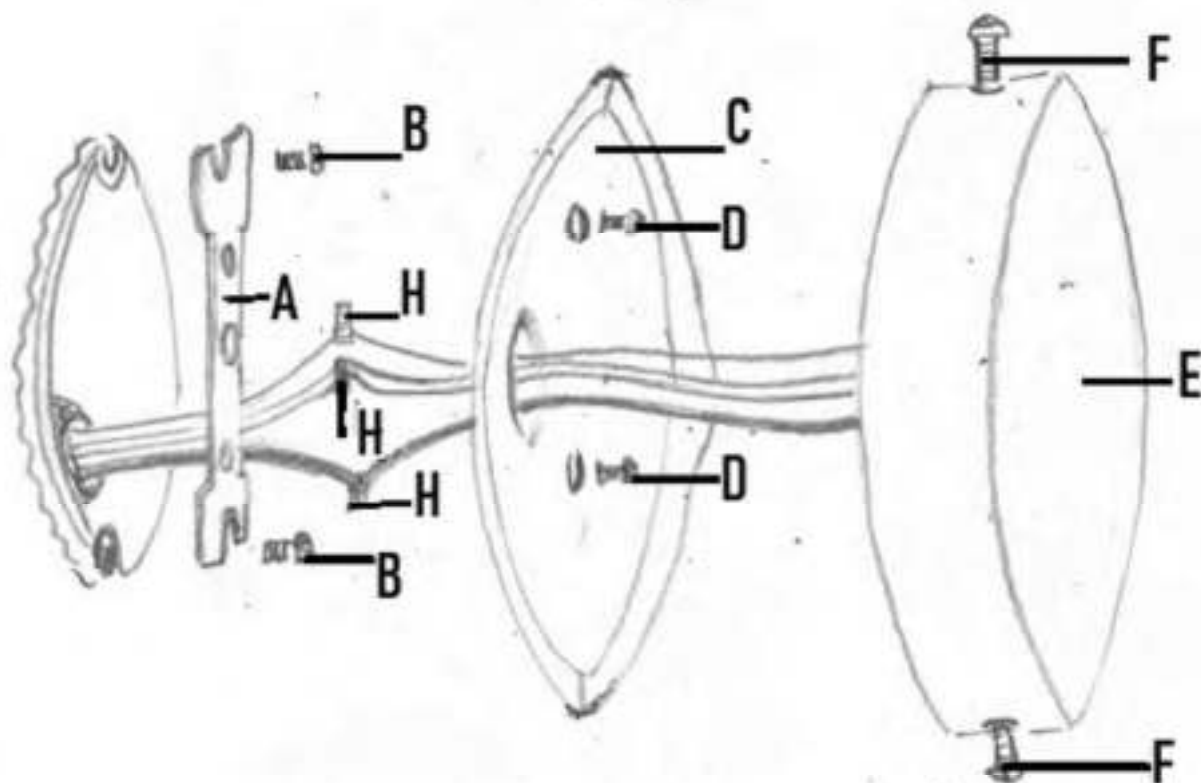
### replacement parts assembly:

- To replace glass spheres with rods (I),(L),(M), insert wire clip into the hole on the iron frame. Bend the wire and secure it.

### care instructions:

Clean with dry soft cloth/brush only.  
Do not use water/alcohol or any detergent.





## INSTALLATION INSTRUCTIONS

### INCANDESCENT SURFACE MOUNTED LUMINAIRES:

#### CAUTION

- A PERSON FAMILIAR WITH THE CONSTRUCTION AND OPERATION OF THE PRODUCT MUST INSTALL THIS PRODUCT IN ACCORDANCE WITH THE APPLICABLE INSTALLATION CODE AND THE HAZARDS INVOLVED.

#### WARNING

- The electricity MUST be turned off at the MAIN FUSE BOX before installation of this luminaire; turning the power off using the light switch is not sufficient to prevent electrical shock.
- Luminaires weighing 50 lbs (25 lbs for surface wall) or more must be mounted directly to the building structure, independently of the electrical box; this installation should not be made on a radiant heat type ceiling.

- If a chain-and-canopy luminaire is provided of an individual grounding conductor (bare or insulated), this shall be interwoven through the chain from the luminaire to the canopy.
- If chain-and-canopy luminaire is provided of a SPT-1 power supply cord type, this shall interwoven through the chain from the luminaire to the canopy.
- The luminaire are not intended to support external weight other than provided glasses.

#### WIRE CONNECTION CHART:

Connect Black or Red (Hot) House Wire to:	Connect White (Neutral) House Wire to:
Black (Hot)	White (Neutral)
Parallél cord (round and smooth)	Parallél cord (square or ridged)
Clear, Brown, Gold or Black without tracer	Clear, Brown, Gold or Black with tracer
(Insulated wire (other than green) with copper conductor	Insulated wire (other than green) with silver conductor

#### ELECTRICAL CONNECTION:

- 1 Attach grounding wire (green insulated or bare copper) from the supply circuit to the mounting bracket with the green ground attachment screw provided. Connect the grounding wire of the luminaire to the grounding conductor of the supply circuit. Attach all grounding conductors to the mounting bracket with the green ground wire attachment screw.
- 2 Referring to the Wire Connection Chart, connect the black and white wires.

#### CAUTION

No loose strands or loose connections should be present. Secure with U.L. certified wire connectors and electrical tape.

#### FINAL INSTRUCTION:

- 1 Install light bulbs, refer to the relamping label located near the lampholder for recommended wattage. DO NOT EXCEED THE RECOMMENDED WATTAGE.
- 2 Restore electricity and check the operation of the luminaire.

In case of change of the article, not previously authorized, the U.L. Certification will be terminated immediately.

## NOTICE DE MONTAGE PLAFONNIERES INCANDESCENTS

### ATTENTION

- Le montage doit être effectué par personnes compétentes selon le code d'installation en vigueur et les risques impliqués.
- La sûreté de l'installation est soumise au correct usage des instructions suivantes.

### AVERTISSEMENT

- Avant d'effectuer chaque opération, couper le courant à la boîte du fusible principale. La mise hors tension grâce à l'interrupteur n'est pas suffisante pour prévenir les chocs électriques.
- Luminaires qui sont lourds 50 Lbs. Ou plus (25 Lbs. Pour appareil mur) doivent être montés directement à la structure du bâtiment, de façon indépendante de la boîte électrique; cette installation ne doit pas être fait sur un plafond avec systèmes de chauffages radiants.
- Dans le cas du luminaire avec chaîne et pavillon, il faut passé les câbles à travers les mailons de la chaîne, soit s'il est équipé avec un câble conducteur de mise à la terre individuelle (nu ou isolé), soit s'il est équipé avec un câble d'alimentation SPT-1.
- Les appareils ne devraient pas porte plus de poids que celle prévue pour les verres décoratif.

#### TABLE CONNEXION CABLES

Connecter le fil de la maison NOIR ou ROUGE (phase) avec:	Connecter le fil de la maison BLANC (neutre) avec:
Noir (Phase)	Bianc (neutre)
Fil parallèle (ronde et lisse)	Fil parallèle (carré ou striée)
Clair, Marron, Or ou Noir SANS traceur	Clair, Marron, or ou Noir AVEC traceur
Fil isolé (autre que Vert) avec conducteur Cuivre	Fil isolé (autre que Vert) avec conducteur Argent

#### CONNEXIONS ÉLECTRIQUES

- 1 Fixez le fil de terre (vert isolé ou cuivre nu) du circuit d'alimentation au support de montage par la vis vert de fixation de terre fourni.
- 2 Connectez le fil de mise à la terre du luminaire au conducteur de mise à la terre du circuit d'alimentation. Fixez tous les conducteurs de terre au support de montage avec la vis vert de fixation.
- 3 Connectez les fils noir et blanc en référant à la table connexion câbles.

### ATTENTION

Fi libre ou des connexions desserrées ne doivent pas être présents. Fixer avec des connecteurs de fils certifié UL et du ruban électrique.

#### INSTALLATION FINALE

- 1 Installer des ampoules de puissance recommandée, reportez-vous à l'étiquette de remplacement de la lampe situé en proximité de la douille.
- 2 Ne pas dépasser la puissance recommandée.

### AVERTISSEMENT

#### Instructions supplémentaires

Pour la fixation, utiliser les vis fournies et vérifier que le pavillon couvre complètement la boîte de sortie.

En cas de changement d'article, pas autorisé précédemment, la certification U.L. se terminera immédiatement.



# AUBREY BRONZE 7 LTS OVAL CHANDELIER OIL RUBBED BRONZE

# ARHAUS™

your home

## parts enclosed:

- C2) cross bar screws (2)
- E) wrenut (3)
- L) oval canopy (1)
- P) Locking plastic nut (1)

## important safety instructions:

1. We recommend installation by a licensed electrician.
2. To avoid the risk of fire, do not exceed the recommended wattage for this fixture.

wattage: 7 X 60 W

type socket: E26

## warnings:

1. Do not remove the lamp from its packaging by pulling on the power cord, as a bad connection may result.
2. To avoid the risk of fire, electrical shock, or personal injury, turn off lamp and allow it to cool prior to replacing light bulb.
3. Do not touch bulb when fixture is turned on or look directly at it bulb.
4. Keep flammable materials away from lit bulb.

## to assemble:

- Disassemble cross bar (C) and metal oval plate (F) from back of the oval canopy (L)
- Unscrew the locking plastic nut (P) from canopy (L)
- Insert wire cord through the locking plastic nut (P) and feed it through the hole in the canopy (L)
- Tighten the locking plastic nut (P)
- Tie the black wires as shown (Q)
- Attach cross bar (C) to the ceiling Junction box using the cross bar screws (C2).
- Attach the metal oval plate (F) to the cross bar (C) using the central cross bar screw(C1), washer(G) and hexnut (H).
- Attach the oval canopy (L) to the metal oval plate (F) using the canopy screws (L1).
- Attach chandelier chains to canopy hook (M).

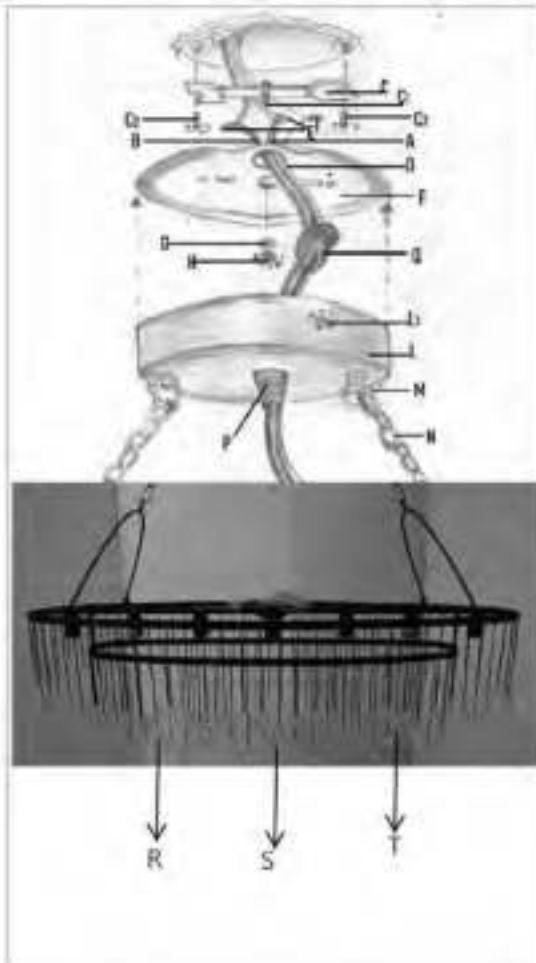
See back of the page for wiring connection details.

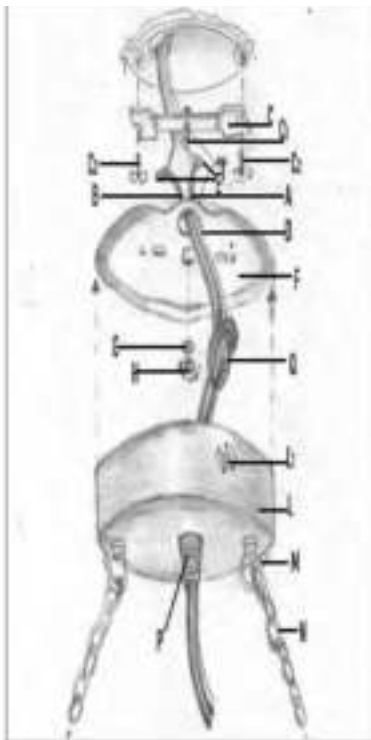
## replacement parts assembly:

- To replace glass sphere (R),(S),(T) insert wire clip into the hole on the iron frame. Bend the wire and secure it.

## care instructions:

- Clean with dry soft cloth/brush only.
- Do not use water/alcohol or any detergent.





### INCANDESCENT SURFACE MOUNTED LUMINAIRES:

#### CAUTION

A PERSON FAMILIAR WITH THE CONSTRUCTION AND OPERATION OF THE PRODUCT MUST INSTALL THIS PRODUCT IN ACCORDANCE WITH THE APPLICABLE INSTALLATION CODE AND THE HAZARDS INVOLVED.

#### WARNING

- The electricity MUST be turned off at the MAIN FUSE BOX before installation of the luminaire. Turning the power off using the light switch is not sufficient to prevent electrical shock.
- Luminaires weighing 50 lbs (25 lbs for surface wall) or more must be mounted directly to the building structure, independently of the electrical box; this installation should not be made on a radiant heat type ceiling.

- If a chain-and-canopy luminaire is provided of an individual grounding conductor (bare or insulated), this shall be interwoven through the chain from the luminaire to the canopy.
- If chain-and-canopy luminaire is provided of a SPT-1 power supply cord type, this shall interwoven through the chain from the luminaire to the canopy.
- The luminaire are not intended to support external weight other than provided glasses.

#### WIRE CONNECTION CHART:

Connect Black or Red (Hot) House Wire to:	Connect White (Neutral) House Wire to:
Black (Hot)	White (Neutral)
Parallel cord (round and smooth)	Parallel cord (square or ridged)
Clear, Brown, Gold or Black without tracer	Clear, Brown, Gold or Black with tracer
Insulated wire (other than green) with copper conductor	Insulated wire (other than green) with silver conductor

#### ELECTRICAL CONNECTION:

1. Attach grounding wire (green insulated or bare copper) from the supply circuit to the mounting bracket with the green ground attachment screw provided. Connect the grounding wire of the luminaire to the grounding conductor of the supply circuit. Attach all grounding conductors to the mounting bracket with the green ground wire attachment screw.
2. Referring to the Wire Connection Chart, connect the black and white wires.

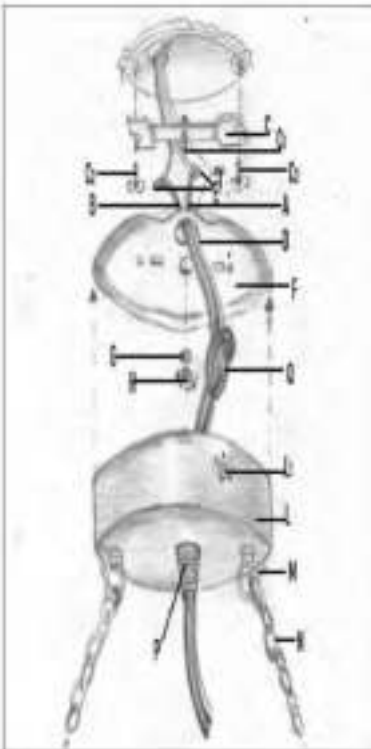
#### CAUTION

No loose strands or loose connections should be present. Secure with U.L. certified wire connectors and electrical tape.

#### FINAL INSTALLATION:

1. Install light bulb, refer to the relamping label located near the lampholder for recommended wattage. DO NOT EXCEED THE RECOMMENDED WATTAGE.
2. Restore electricity and check the operation of the luminaire.

In case of change of the article, not previously mentioned, the U.L. Certification will be respected immediately.



### NOTICE DE MONTAGE PLAFONNIERES INCANDESCENTES

#### ATTENTION

- Le montage doit être effectué par personnes compétentes selon le code d'installation en vigueur et les règles impératives.
- La sûreté de l'installateur est soumise au correct usage des instructions suivantes.

#### AVERTISSEMENT

- Avant d'effectuer chaque opération, couper le courant à la boîte du fusible principale. La mise hors tension grâce à l'interrupteur n'est pas suffisante pour prévenir les chocs électriques.
- Luminaires qui sont lourds 50 Lbs. Ou plus (25 Lbs. Pour appareil mur) doivent être montés directement à la structure du bâtiment, de façon indépendante de la boîte électrique; cette installation ne doit pas être fait sur un plafond avec systèmes de chauffages radiants.
- Dans le cas du luminaire avec chaîne et pavillon, il faut passé les câbles à travers les maisons de la chaîne, soit s'il est équipé avec un câble conducteur de mise à la terre individuelle (ou ou isolé), soit s'il est équipé avec un câble d'alimentation SPT-1.
- Les appareils ne devraient pas porte plus de poids que celle prévue pour les verres décoché.

#### TABLE CONNEXION CABLES

Connecter le fil de la maison NOIR ou ROUGE (phase) avec:	Connecter le fil de la maison BLANC (neutre) avec:
Noir (Phase)	Blanc (neutre)
Fi parallèle ronde et lisse	Fi parallèle (carré ou striée)
Clear, Marron, Or ou Noir SANS traceur	Clear, Marron, or ou Noir AVEC traceur
Fi isolé (autre que Vert) avec conducteur Cuivre	Fi isolé (autre que Vert) avec conducteur Argent

#### CONNEXIONS ÉLECTRIQUES

1. Fixez le fil de terre (vert isolé ou cuivre nu) du circuit d'alimentation au support de montage par la vis vert de fixation de terre fourni.
2. Connectez le fil de mise à la terre du luminaire au conducteur de mise à la terre du circuit d'alimentation. Fixez tous les conducteurs de terre au support de montage avec la vis vert de fixation.
3. Connectez les fils noir et blanc en référant à la table connexion câbles.

#### ATTENTION

Fi libre ou des connexions desserrées ne doivent pas être présents. Fixer avec des connecteurs de fil certifié U.L. et du ruban électrique.

#### INSTALLATION FINALE

1. Installer des ampoules de puissance recommandée, reportez-vous à l'étiquette de remplacement de la lampe situé en proximité de la douille.
2. Ne pas dépasser la puissance recommandée.

#### AVERTISSEMENT

##### Instructions supplémentaires

Pour la fixation, utiliser les vis fournies et vérifier que le pavillon couvre complètement la boîte de sortie.

In case of change of the article, not previously mentioned, the U.L. Certification will be respected immediately.

# AUBREY BRONZE 60" RECT CHANDELIER #66636H401

# ARHAUS®

your home

## parts enclosed:

- C2) cross bar screws (2)
- E) wirenut (3)
- L) oval canopy (1)
- P) Locking plastic nut (1)

## important safety instructions:

1. We recommend installation by a licensed electrician.
2. To avoid the risk of fire, do not exceed the recommended wattage for this fixture.

wattage: 7 X 60 W

type socket: E26

## warnings:

1. Do not remove the lamp from its packaging by pulling on the power cord, as a bad connection may result.
2. To avoid the risk of fire, electrical shock, or personal injury, turn off lamp and allow it to cool prior to replacing light bulb.
3. Do not touch bulb when fixture is turned on or look directly at lit bulb.
4. Keep flammable materials away from lit bulb.

## to assemble:

- Disassemble cross bar (C) and metal oval plate (F) from back of the oval canopy (L)
- Unscrew the locking plastic nut (P) from canopy (L)
- Insert wire cord through the locking plastic nut (P) and feed it through the hole in the canopy (L)
- Tighten the locking plastic nut (P)
- Tie the black wires as shown (Q).
- Attach cross bar (C) to the ceiling Junction box using the cross bar screws (C2).
- Attach the metal oval plate (F) to the cross bar (C) using the central cross bar screw (C1), washer (G) and hexnut (H).
- Attach the oval canopy (L) to the metal oval plate (F) using the canopy screws (L1).
- Attach chandelier chains to canopy hook (M).

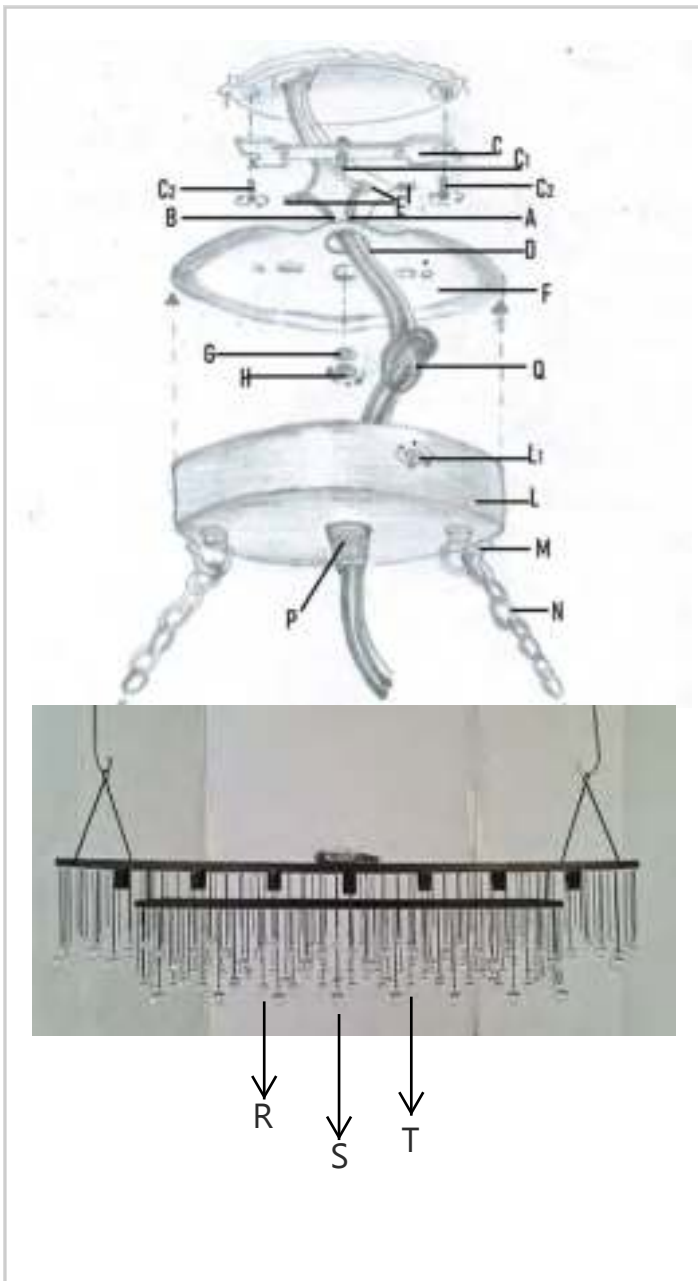
See back of the page for wiring connection details.

## replacement parts assembly:

- To replace glass sphere (R),(S),(T) insert wire clip into the hole on the iron frame. Bend the wire and secure it.

## care instructions:

- Clean with dry soft cloth/brush only.
- Do not use water/alcohol or any detergent.



## INSTALLATION INSTRUCTIONS

### INCANDESCENT SURFACE MOUNTED LUMINAIRES:

#### CAUTION

- A PERSON FAMILIAR WITH THE CONSTRUCTION AND OPERATION OF THE PRODUCT MUST INSTALL THIS PRODUCT IN ACCORDANCE WITH THE APPLICABLE INSTALLATION CODE AND THE HAZARDS INVOLVED.

#### WARNING

- The electricity MUST be turned off at the MAIN FUSE BOX before installation of this luminaire; turning the power off using the light switch is not sufficient to prevent electrical shock.
- Luminaires weighing 50 lbs (25 lbs for surface wall) or more must be mounted directly to the building structure, independently of the electrical box; this installation should not be made on a radiant heat type ceiling.

- If a chain-and-canopy luminaire is provided of an individual grounding conductor (bare or insulated), this shall be interwoven through the chain from the luminaire to the canopy.
- If chain-and-canopy luminaire is provided of a SPT-1 power supply cord type, this shall interwoven through the chain from the luminaire to the canopy.
- The luminaires are not intended to support external weight other than provided glasses.

#### WIRE CONNECTION CHART:

Connect Black or Red (Hot) House Wire to:	Connect White (Neutral) House Wire to:
Black (Hot)	White (Neutral)
Parallel cord (round and smooth)	Parallel cord (square or ridged)
Clear, Brown, Gold or Black without tracer	Clear, Brown, Gold or Black with tracer
Insulated wire (other than green) with copper conductor	Insulated wire (other than green) with silver conductor

#### ELECTRICAL CONNECTION:

- 1 Attach grounding wire (green insulated or bare copper) from the supply circuit to the mounting bracket with the green ground attachment screw provided. Connect the grounding wire of the luminaire to the grounding conductor of the supply circuit. Attach all grounding conductors to the mounting bracket with the green ground wire attachment screw.
- 2 Referring to the Wire Connection Chart, connect the black and white wires.

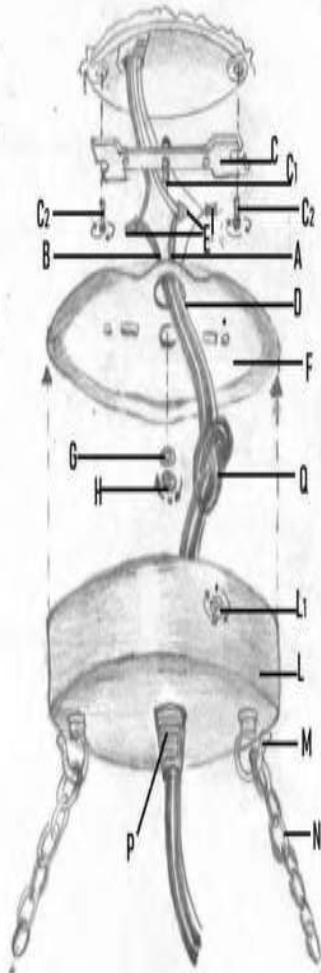
#### CAUTION

No loose strands or loose connections should be present. Secure with U.L. certified wire connectors and electrical tape.

#### FINAL INSTRUCTION:

- 1 Install light bulbs, refer to the relamping label located near the lampholder for recommended wattage. **DO NOT EXCEED THE RECOMMENDED WATTAGE.**
- 2 Restore electricity and check the operation of the luminaire.

In case of change of the article, not previously authorized, the U.L. Certification will be terminated immediately.



## NOTICE DE MONTAGE PLAFONNIERES INCANDESCENTS

### ATTENTION

- Le montage doit être effectué par personnes compétentes selon le code d'installation en vigueur et les risques impliqués.
- La sûreté de l'installation est soumise au correct usage des instructions suivantes.

### AVERTISSEMENT

- Avant d'effectuer chaque opération, couper le courant à la boîte du fusible principale. La mise hors tension grâce à l'interrupteur n'est pas suffisante pour prévenir les chocs électriques.
- Luminaires qui sont lourds 50 Lbs. Ou plus (25 Lbs. Pour appareil mur) doivent être montés directement à la structure du bâtiment, de façon indépendante de la boîte électrique; cette installation ne doit pas être fait sur un plafond avec systèmes de chauffages radiants.
- Dans le cas du luminaire avec chaîne et pavillon, il faut passé les câbles à travers les mailons de la chaîne, soit s'il est équipé avec un câble conducteur de mise à la terre individuelle (nu ou isolé), soit s'il est équipé avec un câble d'alimentation SPT-1.
- Les appareils ne devraient pas porte plus de poids que celle prévue pour les verres décoratif.

#### TABLE CONNEXION CABLES

Connecter le fil de la maison NOIR ou ROUGE (phase) avec:	Connecter le fil de la maison BLANC (neutre) avec:
Noir (Phase)	Blanc (neutre)
Fil parallèle (ronde et lisse)	Fil parallèle (carré ou striée)
Clair, Marron, Or ou Noir SANS traceur	Clair, Marron, or ou Noir AVEC traceur
Fil isolé (autre que Vert) avec conducteur Cuivre	Fil isolé (autre que Vert) avec conducteur Argent

#### CONNEXIONS ÉLECTRIQUES

1. Fixez le fil de terre (vert isolé ou cuivre nu) du circuit d'alimentation au support de montage par la vis vert de fixation de terre fourni.
2. Connectez le fil de mise à la terre du luminaire au conducteur de mise à la terre du circuit d'alimentation. Fixez tous les conducteurs de terre au support de montage avec la vis vert de fixation.
3. Connectez les fils noir et blanc en référant à la table connexion câbles.

#### ATTENTION

Fil libre ou des connexions desserrées ne doivent pas être présents. Fixer avec des connecteurs de fils certifié UL et du ruban électrique.

#### INSTALLATION FINALE

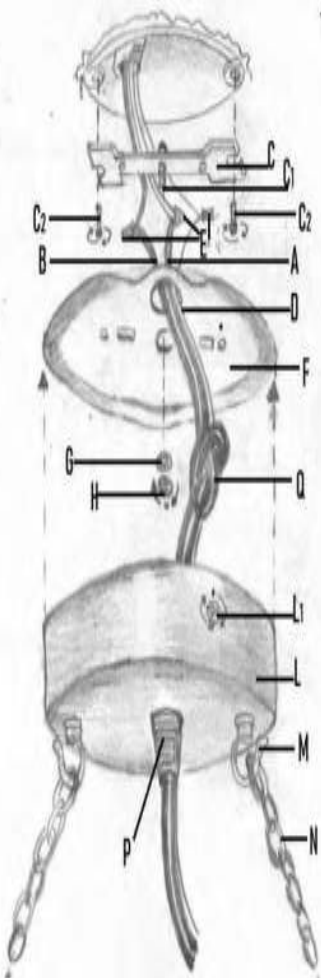
1. Installer des ampoules de puissance recommandée, reportez-vous à l'étiquette de remplacement de la lampe situé en proximité de la douille.
2. Ne pas dépasser la puissance recommandée.

#### AVERTISSEMENT

##### Instructions supplémentaires

Pour la fixation, utiliser les vis fournies et vérifier que le pavillon couvre complètement la boîte de sortie.

En cas de changement d'article, pas autorisé précédemment, la certification U.L. se terminera immédiatement.



# AUBREY BRONZE FLUSHMOUNT #66636H404

# ARHAUS®

your home

## parts enclosed:

- (B) Cross bar screws (2)
- (H) wire nuts (3)

## important safety instructions:

1. We recommend installation by a licensed electrician.
2. To avoid the risk of fire, do not exceed the recommended wattage for this fixture.  
wattage: x 40W  
type of socket: E12

## warnings:

1. Do not remove the lamp from its packaging by pulling on the power cord, as a bad connection may result.
2. To avoid the risk of fire, electrical shock, or personal injury, turn off lamp and allow it to cool prior to replacing light bulb.
3. Do not touch bulb when fixture is turned on or look directly at lit bulb.
4. Keep flammable materials away from lit bulb.

## to assemble:

- Disassemble metal box cover(C) and cross bar(A) from back of the flushmount.
- Attach the cross bar(A) to the electrical box using the cross bar screws (B).
- Attach the metal box cover (C) to the cross bar (A) using the metal box cover screws (D).
- Attach the box of the flushmount (E) to the metal box cover (C) using the screws (F).

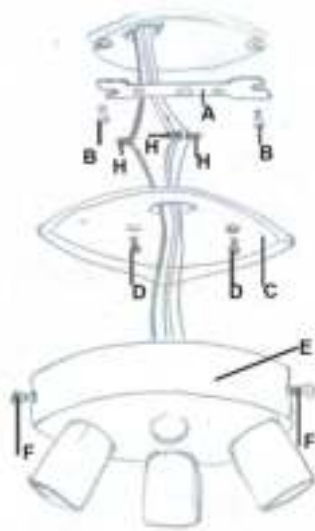
See back of the page for wiring connection details

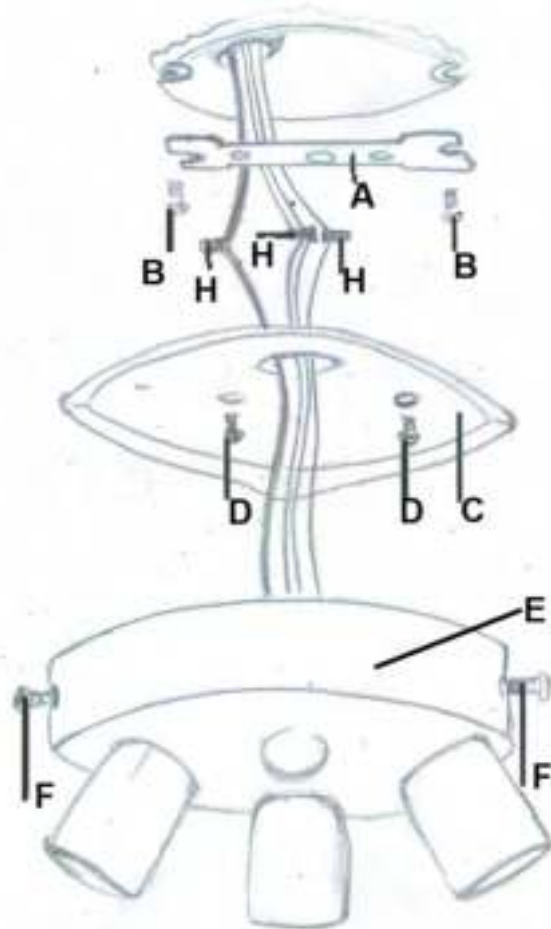
## replacement parts assembly:

- To replace glass sphere (N) insert wire clip into the hole on the iron frame. Bend the wire and secure it.

## care instructions:

Clean with dry soft cloth/brush only.  
Do not use water/alcohol or any detergent.





## INSTALLATION INSTRUCTIONS

### INCANDESCENT SURFACE MOUNTED LUMINAIRES:

#### CAUTION

- A PERSON FAMILIAR WITH THE CONSTRUCTION AND OPERATION OF THE PRODUCT MUST INSTALL THIS PRODUCT IN ACCORDANCE WITH THE APPLICABLE INSTALLATION CODE AND THE HAZARDS INVOLVED.

#### WARNING

- The electricity MUST be turned off at the MAIN FUSE BOX before installation of this luminaire; turning the power off using the light switch is not sufficient to prevent electrical shock.
- Luminaires weighing 50 lbs (25 lbs for surface wall) or more must be mounted directly to the building structure, independently of the electrical box; this installation should not be made on a radiant heat type ceiling.

- If a chain-and-canopy luminaire is provided of an individual grounding conductor (bare or insulated), this shall be interwoven through the chain from the luminaire to the canopy.
- If chain-and-canopy luminaire is provided of a SPT-1 power supply cord type, this shall interwoven through the chain from the luminaire to the canopy.
- The luminaires are not intended to support external weight other than provided glasses.

#### WIRE CONNECTION CHART:

Connect Black or Red (Hot) House Wire to:	Connect White (Neutral) House Wire to:
Black (Hot)	White (Neutral)
Paralle cord (round and smooth)	Paralle cord (square or ridged)
Clear, Brown, Gold or Black without tracer	Clear, Brown, Gold or Black with tracer
(Insulated wire (other than green) with copper conductor	Insulated wire (other than green) with silver conductor

#### ELECTRICAL CONNECTION:

- 1 Attach grounding wire (green insulated or bare copper) from the supply circuit to the mounting bracket with the green ground attachment screw provided. Connect the grounding wire of the luminaire to the grounding conductor of the supply circuit. Attach all grounding conductors to the mounting bracket with the green ground wire attachment screw.
- 2 Referring to the Wire Connection Chart, connect the black and white wires.

#### CAUTION

No loose strands or loose connections should be present. Secure with U.L. certified wire connectors and electrical tape.

#### FINAL INSTRUCTION:

- 1 Install light bulbs; refer to the relamping label located near the lampholder for recommended wattage. DO NOT EXCEED THE RECOMMENDED WATTAGE.
- 2 Restore electricity and check the operation of the luminaire.

In case of change of the article, not previously authorized, the U.L. Certification will be terminated immediately.

## NOTICE DE MONTAGE PLAFONNIERES INCANDESCENTS

### ATTENTION

- Le montage doit être effectué par personnes compétentes selon le code d'installation en vigueur et les risques impliqués.
- La sûreté de l'installation est soumise au correct usage des instructions suivantes.

### AVERTISSEMENT

- Avant d'effectuer chaque opération, couper le courant à la boîte du fusible principale. La mise hors tension grâce à l'interrupteur n'est pas suffisante pour prévenir les chocs électriques.
- Luminaires qui sont lourds 50 Lbs. Ou plus (25 Lbs. Pour appareil mur) doivent être montés directement à la structure du bâtiment, de façon indépendante de la boîte électrique; cette installation ne doit pas être fait sur un plafond avec systèmes de chauffages radiants.
- Dans le cas du luminaire avec chaîne et pavillon, il faut passé les câbles à travers les mailons de la chaîne, soit s'il est équipé avec un câble conducteur de mise à la terre individuelle (nu ou isolé), soit s'il est équipé avec un câble d'alimentation SPT-1.
- Les appareils ne devraient pas porte plus de poids que celle prévue pour les verres décoratif.

#### TABLE CONNEXION CABLES

Connecter le fil de la maison NOIR ou ROUGE (phase) avec:	Connecter le fil de la maison BLANC (neutre) avec:
Noir (Phase)	Bianc (neutre)
Fil parallèle (ronde et lisse)	Fil parallèle (carré ou striée)
Clair, Marron, Or ou Noir SANS traceur	Clair, Marron, or ou Noir AVEC traceur
Fil isolé (autre que Vert) avec conducteur Cuivre	Fil isolé (autre que Vert) avec conducteur Argent

#### CONNEXIONS ÉLECTRIQUES

- 1 Fixez le fil de terre (vert isolé ou cuivre nu) du circuit d'alimentation au support de montage par la vis vert de fixation de terre fourni.
- 2 Connectez le fil de mise à la terre du luminaire au conducteur de mise à la terre du circuit d'alimentation. Fixez tous les conducteurs de terre au support de montage avec la vis vert de fixation.
- 3 Connectez les fils noir et blanc en référant à la table connexion câbles.

### ATTENTION

Fi libre ou des connexions desserrées ne doivent pas être présents. Fixer avec des connecteurs de fils certifié UL et du ruban électrique.

#### INSTALLATION FINALE

- 1 Installer des ampoules de puissance recommandée, reportez-vous à l'étiquette de remplacement de la lampe situé en proximité de la douille.
- 2 Ne pas dépasser la puissance recommandée.

### AVERTISSEMENT

#### Instructions supplémentaires

Pour la fixation, utiliser les vis fournies et vérifier que le pavillon couvre complètement la boîte de sortie.

En cas de changement d'article, pas autorisé précédemment, la certification U.L. se terminera immédiatement.

# AUBREY RUST 60" RECT CHANDELIER #66636H400

# ARHAUS®

your home

## parts enclosed:

- C2) cross bar screws (2)
- E) wirenut (3)
- L) oval canopy (1)
- P) Locking plastic nut (1)

## important safety instructions:

1. We recommend installation by a licensed electrician.
2. To avoid the risk of fire, do not exceed the recommended wattage for this fixture.

wattage: 7 X 60 W

type socket: E26

## warnings:

1. Do not remove the lamp from its packaging by pulling on the power cord, as a bad connection may result.
2. To avoid the risk of fire, electrical shock, or personal injury, turn off lamp and allow it to cool prior to replacing light bulb.
3. Do not touch bulb when fixture is turned on or look directly at lit bulb.
4. Keep flammable materials away from lit bulb.

## to assemble:

- Disassemble cross bar (C) and metal oval plate (F) from back of the oval canopy (L)
- Unscrew the locking plastic nut (P) from canopy (L)
- Insert wire cord through the locking plastic nut (P) and feed it through the hole in the canopy (L)
- Tighten the locking plastic nut (P)
- Tie the black wires as shown (Q).
- Attach cross bar (C) to the ceiling Junction box using the cross bar screws (C2).
- Attach the metal oval plate (F) to the cross bar (C) using the central cross bar screw (C1), washer (G) and hexnut (H).
- Attach the oval canopy (L) to the metal oval plate (F) using the canopy screws (L1).
- Attach chandelier chains to canopy hook (M).

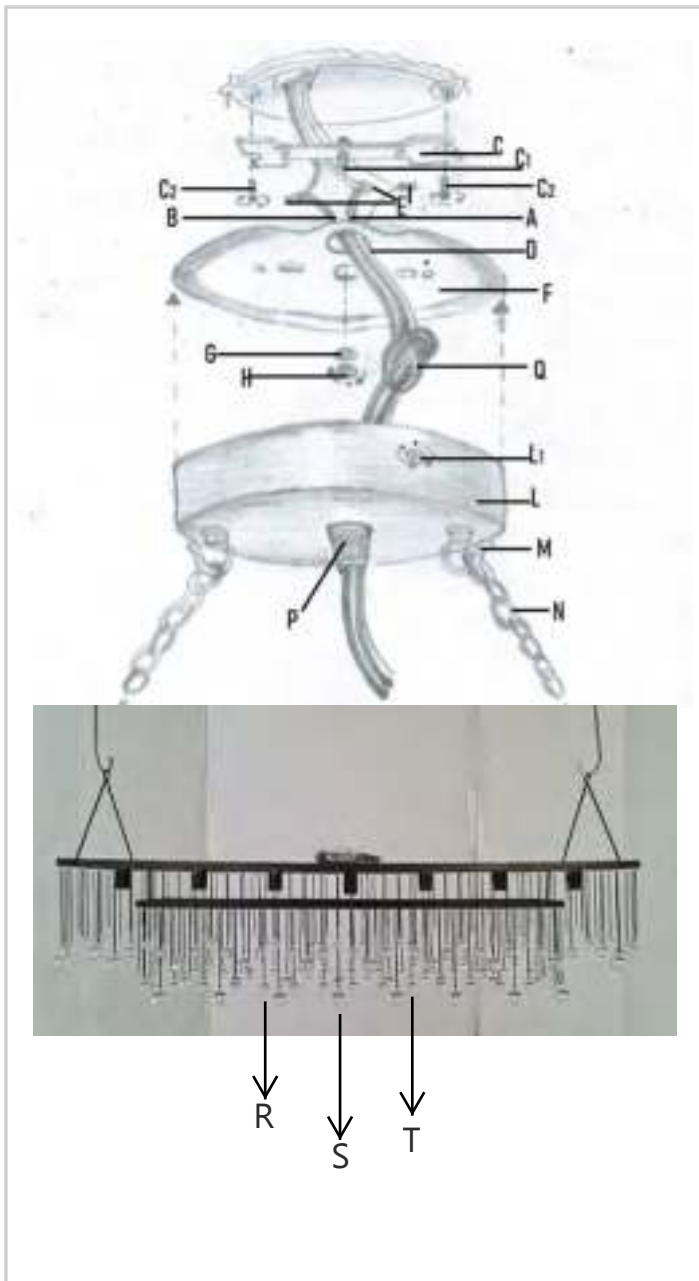
See back of the page for wiring connection details.

## replacement parts assembly:

- To replace glass sphere (R),(S),(T) insert wire clip into the hole on the iron frame. Bend the wire and secure it.

## care instructions:

- Clean with dry soft cloth/brush only.
- Do not use water/alcohol or any detergent.



## INSTALLATION INSTRUCTIONS

### INCANDESCENT SURFACE MOUNTED LUMINAIRES:

#### CAUTION

- A PERSON FAMILIAR WITH THE CONSTRUCTION AND OPERATION OF THE PRODUCT MUST INSTALL THIS PRODUCT IN ACCORDANCE WITH THE APPLICABLE INSTALLATION CODE AND THE HAZARDS INVOLVED.

#### WARNING

- The electricity MUST be turned off at the MAIN FUSE BOX before installation of this luminaire; turning the power off using the light switch is not sufficient to prevent electrical shock.
- Luminaires weighing 50 lbs (25 lbs for surface wall) or more must be mounted directly to the building structure, independently of the electrical box; this installation should not be made on a radiant heat type ceiling.

- If a chain-and-canopy luminaire is provided of an individual grounding conductor (bare or insulated), this shall be interwoven through the chain from the luminaire to the canopy.
- If chain-and-canopy luminaire is provided of a SPT-1 power supply cord type, this shall interwoven through the chain from the luminaire to the canopy.
- The luminaires are not intended to support external weight other than provided glasses.

#### WIRE CONNECTION CHART:

Connect Black or Red (Hot) House Wire to:	Connect White (Neutral) House Wire to:
Black (Hot)	White (Neutral)
Parallel cord (round and smooth)	Parallel cord (square or ridged)
Clear, Brown, Gold or Black without tracer	Clear, Brown, Gold or Black with tracer
Insulated wire (other than green) with copper conductor	Insulated wire (other than green) with silver conductor

#### ELECTRICAL CONNECTION:

- 1 Attach grounding wire (green insulated or bare copper) from the supply circuit to the mounting bracket with the green ground attachment screw provided. Connect the grounding wire of the luminaire to the grounding conductor of the supply circuit. Attach all grounding conductors to the mounting bracket with the green ground wire attachment screw.
- 2 Referring to the Wire Connection Chart, connect the black and white wires.

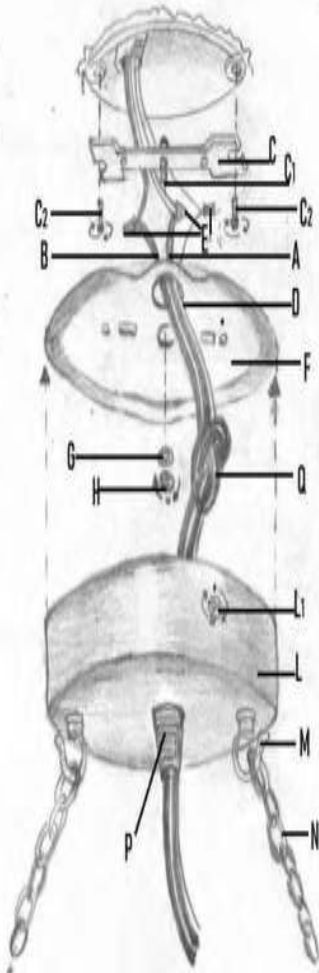
#### CAUTION

No loose strands or loose connections should be present. Secure with U.L. certified wire connectors and electrical tape.

#### FINAL INSTRUCTION:

- 1 Install light bulbs, refer to the relamping label located near the lampholder for recommended wattage. **DO NOT EXCEED THE RECOMMENDED WATTAGE.**
- 2 Restore electricity and check the operation of the luminaire.

In case of change of the article, not previously authorized, the U.L. Certification will be terminated immediately.



## NOTICE DE MONTAGE PLAFONNIERES INCANDESCENTS

### ATTENTION

- Le montage doit être effectué par personnes compétentes selon le code d'installation en vigueur et les risques impliqués.
- La sûreté de l'installation est soumise au correct usage des instructions suivantes.

### AVERTISSEMENT

- Avant d'effectuer chaque opération, couper le courant à la boîte du fusible principale. La mise hors tension grâce à l'interrupteur n'est pas suffisante pour prévenir les chocs électriques.
- Luminaires qui sont lourds 50 Lbs. Ou plus (25 Lbs. Pour appareil mur) doivent être montés directement à la structure du bâtiment, de façon indépendante de la boîte électrique; cette installation ne doit pas être fait sur un plafond avec systèmes de chauffages radiants.
- Dans le cas du luminaire avec chaîne et pavillon, il faut passé les câbles à travers les mailons de la chaîne, soit s'il est équipé avec un câble conducteur de mise à la terre individuelle (nu ou isolé), soit s'il est équipé avec un câble d'alimentation SPT-1.
- Les appareils ne devraient pas porte plus de poids que celle prévue pour les verres décoratif.

#### TABLE CONNEXION CABLES

Connecter le fil de la maison NOIR ou ROUGE (phase) avec:	Connecter le fil de la maison BLANC (neutre) avec:
Noir (Phase)	Blanc (neutre)
Fil parallèle (ronde et lisse)	Fil parallèle (carré ou striée)
Clair, Marron, Or ou Noir SANS traceur	Clair, Marron, or ou Noir AVEC traceur
Fil isolé (autre que Vert) avec conducteur Cuivre	Fil isolé (autre que Vert) avec conducteur Argent

#### CONNEXIONS ÉLECTRIQUES

1. Fixez le fil de terre (vert isolé ou cuivre nu) du circuit d'alimentation au support de montage par la vis vert de fixation de terre fourni.
2. Connectez le fil de mise à la terre du luminaire au conducteur de mise à la terre du circuit d'alimentation. Fixez tous les conducteurs de terre au support de montage avec la vis vert de fixation.
3. Connectez les fils noir et blanc en référant à la table connexion câbles.

#### ATTENTION

Fil libre ou des connexions desserrées ne doivent pas être présents. Fixer avec des connecteurs de fils certifié UL et du ruban électrique.

#### INSTALLATION FINALE

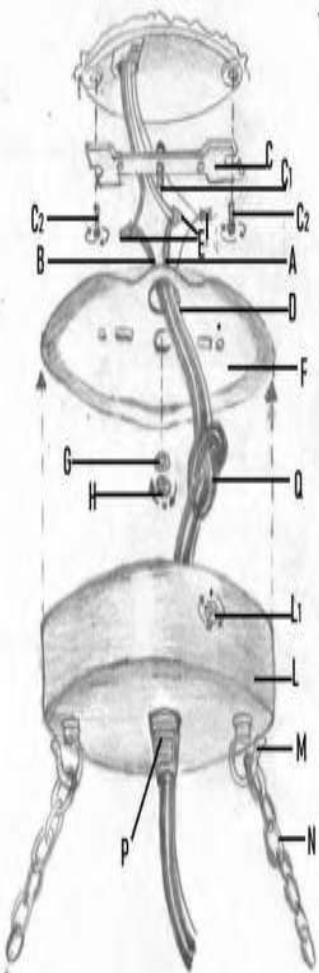
1. Installer des ampoules de puissance recommandée, reportez-vous à l'étiquette de remplacement de la lampe situé en proximité de la douille.
2. Ne pas dépasser la puissance recommandée.

#### AVERTISSEMENT

##### Instructions supplémentaires

Pour la fixation, utiliser les vis fournies et vérifier que le pavillon couvre complètement la boîte de sortie.

En cas de changement d'article, pas autorisé précédemment, la certification U.L. se terminera immédiatement.





# AUBREY RUST FLUSHMOUNT #66636H405

# ARHAUS®

your home

## parts enclosed:

- (B) Cross bar screws (2)
- (H) wire nuts (3)

## important safety instructions:

1. We recommend installation by a licensed electrician.
2. To avoid the risk of fire, do not exceed the recommended wattage for this fixture.  
wattage: x 40W  
type of socket: E12

## warnings:

1. Do not remove the lamp from its packaging by pulling on the power cord, as a bad connection may result.
2. To avoid the risk of fire, electrical shock, or personal injury, turn off lamp and allow it to cool prior to replacing light bulb.
3. Do not touch bulb when fixture is turned on or look directly at lit bulb.
4. Keep flammable materials away from lit bulb.

## to assemble:

- Disassemble metal box cover(C) and cross bar(A) from back of the flushmount.
- Attach the cross bar(A) to the electrical box using the cross bar screws (B).
- Attach the metal box cover (C) to the cross bar (A) using the metal box cover screws (D).
- Attach the box of the flushmount (E) to the metal box cover (C) using the screws (F).

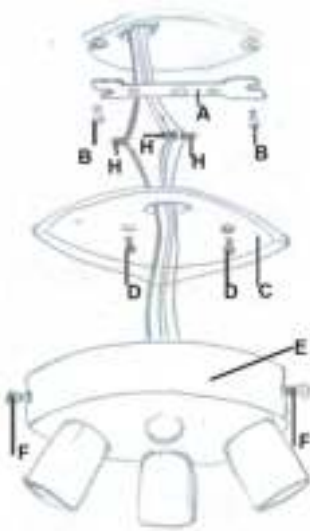
See back of the page for wiring connection details

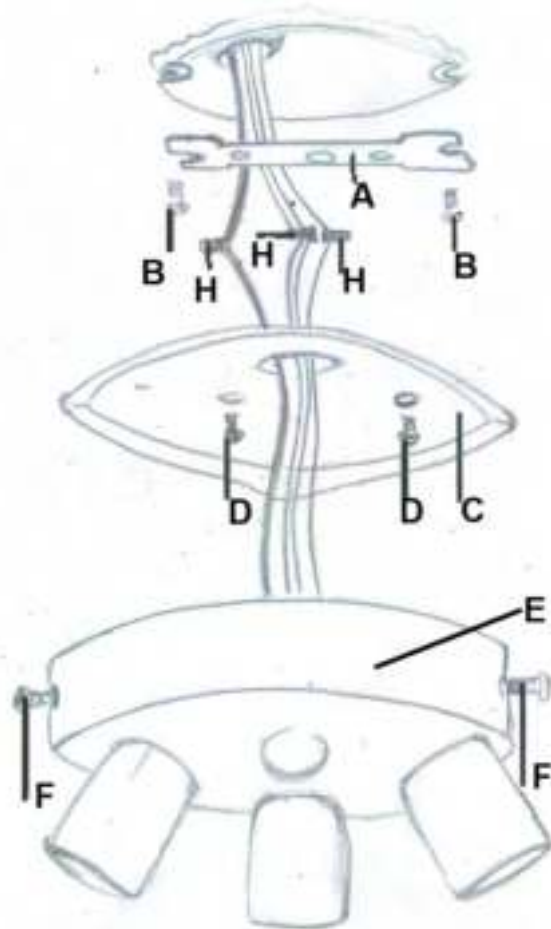
## replacement parts assembly:

- To replace glass sphere (N) insert wire clip into the hole on the iron frame. Bend the wire and secure it.

## care instructions:

Clean with dry soft cloth/brush only.  
Do not use water/alcohol or any detergent.





## INSTALLATION INSTRUCTIONS

### INCANDESCENT SURFACE MOUNTED LUMINAIRES:

#### CAUTION

- A PERSON FAMILIAR WITH THE CONSTRUCTION AND OPERATION OF THE PRODUCT MUST INSTALL THIS PRODUCT IN ACCORDANCE WITH THE APPLICABLE INSTALLATION CODE AND THE HAZARDS INVOLVED.

#### WARNING

- The electricity MUST be turned off at the MAIN FUSE BOX before installation of this luminaire; turning the power off using the light switch is not sufficient to prevent electrical shock.
- Luminaires weighing 50 lbs (25 lbs for surface wall) or more must be mounted directly to the building structure, independently of the electrical box; this installation should not be made on a radiant heat type ceiling.

- If a chain-and-canopy luminaire is provided of an individual grounding conductor (bare or insulated), this shall be interwoven through the chain from the luminaire to the canopy.
- If chain-and-canopy luminaire is provided of a SPT-1 power supply cord type, this shall interwoven through the chain from the luminaire to the canopy.
- The luminaires are not intended to support external weight other than provided glasses.

#### - WIRE CONNECTION CHART:

Connect Black or Red (Hot) House Wire to:	Connect White (Neutral) House Wire to:
Black (Hot)	White (Neutral)
Parallél cord (round and smooth)	Parallél cord (square or ridged)
Clear, Brown, Gold or Black without tracer	Clear, Brown, Gold or Black with tracer
(Insulated wire (other than green) with copper conductor	Insulated wire (other than green) with silver conductor

#### - ELECTRICAL CONNECTION:

- 1 Attach grounding wire (green insulated or bare copper) from the supply circuit to the mounting bracket with the green ground attachment screw provided. Connect the grounding wire of the luminaire to the grounding conductor of the supply circuit. Attach all grounding conductors to the mounting bracket with the green ground wire attachment screw.
- 2 Referring to the Wire Connection Chart, connect the black and white wires.

#### CAUTION

No loose strands or loose connections should be present. Secure with U.L. certified wire connectors and electrical tape.

#### - FINAL INSTRUCTION:

- 1 Install light bulbs; refer to the relamping label located near the lampholder for recommended wattage. DO NOT EXCEED THE RECOMMENDED WATTAGE.
- 2 Restore electricity and check the operation of the luminaire.

In case of change of the article, not previously authorized, the U.L. Certification will be terminated immediately.

## NOTICE DE MONTAGE PLAFONNIERES INCANDESCENTS

### ATTENTION

- Le montage doit être effectué par personnes compétentes selon le code d'installation en vigueur et les risques impliqués.
- La sûreté de l'installation est soumise au correct usage des instructions suivantes.

### AVERTISSEMENT

- Avant d'effectuer chaque opération, couper le courant à la boîte du fusible principale. La mise hors tension grâce à l'interrupteur n'est pas suffisante pour prévenir les chocs électriques.
- Luminaires qui sont lourds 50 Lbs. Ou plus (25 Lbs. Pour appareil mur) doivent être montés directement à la structure du bâtiment, de façon indépendante de la boîte électrique; cette installation ne doit pas être fait sur un plafond avec systèmes de chauffages radiants.
- Dans le cas du luminaire avec chaîne et pavillon, il faut passé les câbles à travers les mailons de la chaîne, soit s'il est équipé avec un câble conducteur de mise à la terre individuelle (nu ou isolé), soit s'il est équipé avec un câble d'alimentation SPT-1.
- Les appareils ne devraient pas porte plus de poids que celle prévue pour les verres décoratif.

#### • TABLE CONNEXION CABLES

Connecter le fil de la maison NOIR ou ROUGE (phase) avec:	Connecter le fil de la maison BLANC (neutre) avec:
Noir (Phase)	Bianc (neutre)
Fil parallèle (ronde et lisse)	Fil parallèle (carré ou striée)
Clair, Marron, Or ou Noir SANS traceur	Clair, Marron, or ou Noir AVEC traceur
Fil isolé (autre que Vert) avec conducteur Cuivre	Fil isolé (autre que Vert) avec conducteur Argent

#### • CONNEXIONS ÉLECTRIQUES

- 1 Fixez le fil de terre (vert isolé ou cuivre nu) du circuit d'alimentation au support de montage par la vis vert de fixation de terre fourni.
- 2 Connectez le fil de mise à la terre du luminaire au conducteur de mise à la terre du circuit d'alimentation. Fixez tous les conducteurs de terre au support de montage avec la vis vert de fixation.
- 3 Connectez les fils noir et blanc en référant à la table connexion câbles.

### ATTENTION

Fi libre ou des connexions desserrées ne doivent pas être présents. Fixer avec des connecteurs de fils certifié UL et du ruban électrique.

#### • INSTALLATION FINALE

- 1 Installer des ampoules de puissance recommandée, reportez-vous à l'étiquette de remplacement de la lampe situé en proximité de la douille.
- 2 Ne pas dépasser la puissance recommandée.

### AVERTISSEMENT

#### Instructions supplémentaires

Pour la fixation, utiliser les vis fournies et vérifier que le pavillon couvre complètement la boîte de sortie.

En cas de changement d'article, pas autorisé précédemment, la certification U.L. se terminera immédiatement.

# AUBREY SILVER 7 LTS OVAL CHANDELIER NEW GREY W/SILVER

# ARHAUS®

your home

## parts enclosed:

- C2) cross bar screws (2)
- E) wirenut (3)
- L) oval canopy (1)
- P) Locking plastic nut (1)

## important safety instructions:

1. We recommend installation by a licensed electrician.
2. To avoid the risk of fire, do not exceed the recommended wattage for this fixture.

wattage: 7 X 60 W

type socket: E26

## warnings:

1. Do not remove the lamp from its packaging by pulling on the power cord, as a bad connection may result.
2. To avoid the risk of fire, electrical shock, or personal injury, turn off lamp and allow it to cool prior to replacing light bulb.
3. Do not touch bulb when fixture is turned on or look directly at lit bulb.
4. Keep flammable materials away from lit bulb.

## to assemble:

- Disassemble cross bar (C) and metal oval plate (F) from back of the oval canopy (L)
- Unscrew the locking plastic nut (P) from canopy (L)
- Insert wire cord through the locking plastic nut (P) and feed it through the hole in the canopy (L)
- Tighten the locking plastic nut (P)
- Tie the black wires as shown (Q).
- Attach cross bar (C) to the ceiling Junction box using the cross bar screws (C2).
- Attach the metal oval plate (F) to the cross bar (C) using the central cross bar screw(C1), washer(G) and hexnut (H).
- Attach the oval canopy (L) to the metal oval plate (F) using the canopy screws (L1).
- Attach chandelier chains to canopy hook (M).

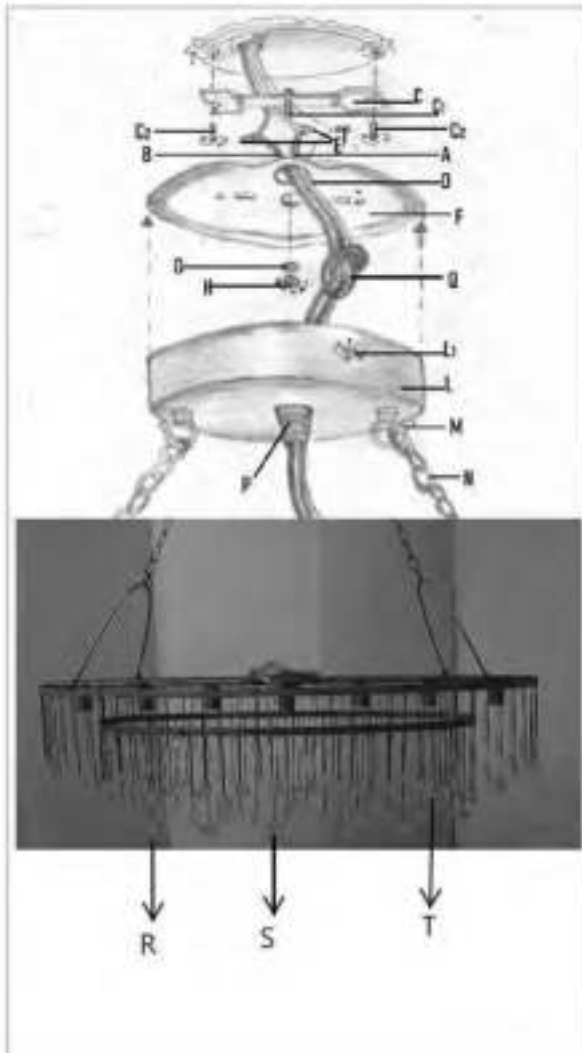
See back of the page for wiring connection details.

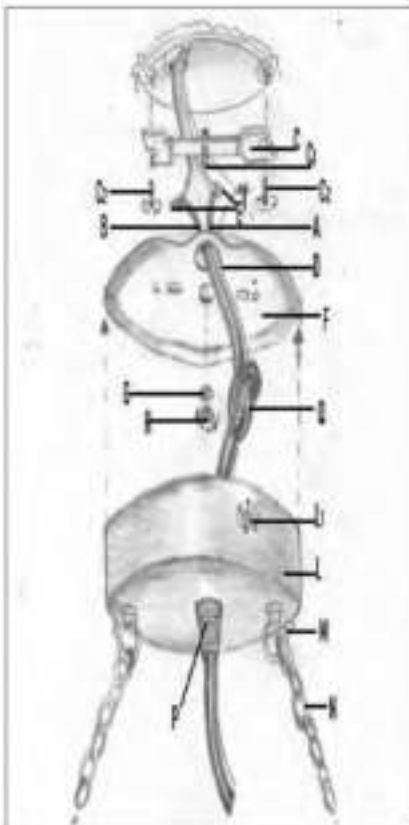
## replacement parts assembly:

- To replace glass sphere (R),(S),(T) insert wire clip into the hole on the iron frame. Bend the wire and secure it.

## care instructions:

- Clean with dry soft cloth/brush only.
- Do not use water/alcohol or any detergent.





### INSTALLATION INSTRUCTIONS

#### INCANDESCENT SURFACE MOUNTED LUMINAIRES:

##### CAUTION

A PERSON FAMILIAR WITH THE CONSTRUCTION AND OPERATION OF THE PRODUCT MUST INSTALL THIS PRODUCT IN ACCORDANCE WITH THE APPLICABLE INSTALLATION CODE AND THE HAZARDS INVOLVED.

##### WARNING

- The electricity MUST be turned off at the MAIN FUSE BOX before installation of this luminaire; turning the power off using the light switch is not sufficient to prevent electrical shock.
- Luminaires weighing 50 lbs (25 lbs for surface wall) or more must be mounted directly to the building structure, independently of the electrical box; this installation should not be made on a radiant heat type ceiling.

- If a chain-and-canopy luminaire is provided of an individual grounding conductor (bare or insulated), this shall be interwoven through the chain from the luminaire to the canopy.
- If chain-and-canopy luminaire is provided of a SPT-1 power supply cord type, this shall interwoven through the chain from the luminaire to the canopy.
- The luminaires are not intended to support external weight other than provided glasses.

##### WIRE CONNECTION CHART:

Connect Black or Red (Hot) House Wire to:	Connect White (Neutral) House Wire to:
Black (Hot)	White (Neutral)
Parallel cord (round and smooth)	Parallel cord (square or ridged)
Clear, Brown, Gold or Black without tracer	Clear, Brown, Gold or Black with tracer
Insulated wire (other than green) with copper conductor	Insulated wire (other than green) with silver conductor

##### ELECTRICAL CONNECTION:

- Attach grounding wire (green insulated or bare copper) from the supply circuit to the mounting bracket with the green ground attachment screw provided. Connect the grounding wire of the luminaire to the grounding conductor of the supply circuit. Attach all grounding conductors to the mounting bracket with the green ground wire attachment screw.
- Referring to the Wire Connection Chart, connect the black and white wires.

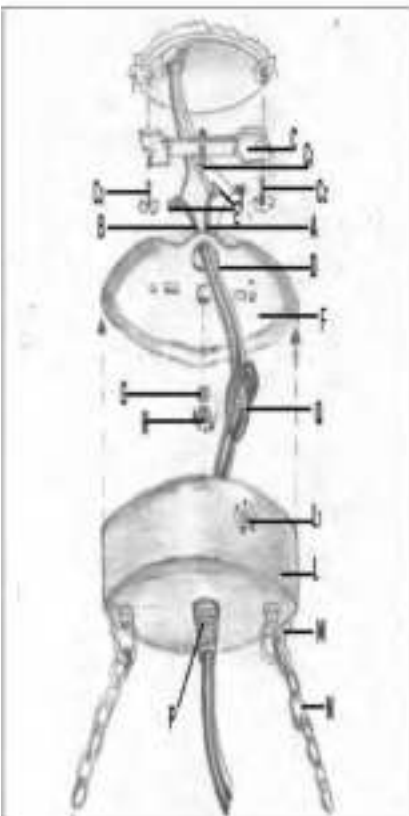
##### CAUTION

No loose strands or loose connections should be present. Secure with U.L. certified wire connectors and electrical tape.

##### FINAL INSTRUCTION:

- Install light bulbs, refer to the relamping label located near the lampholder for recommended wattage. DO NOT EXCEED THE RECOMMENDED WATTAGE.
- Restore electricity and check the operation of the luminaire.

In case of change of the article, not previously authorized, the U.S. Certification will be terminated immediately.



### NOTICE DE MONTAGE PLAFONNIERES INCANDESCENTES

#### ATTENTION

- Le montage doit être effectué par personnes compétentes selon le code d'installation en vigueur et les normes impliqués.
- La sûreté de l'installation est soumise au correct usage des instructions suivantes.

#### AVERTISSEMENT

- Avant d'effectuer chaque opération, couper le courant à la boîte du fusible principale. La mise hors tension grâce à l'interrupteur n'est pas suffisante pour prévenir les chocs électriques.
- Luminaires qui sont lourds 50 Lbs. Ou plus (25 Lbs. Pour appareil mur) doivent être montés directement à la structure du bâtiment, de façon indépendante de la boîte électrique; cette installation ne doit pas être fait sur un plafond avec systèmes de chauffages radiants.
- Dans le cas du luminaire avec chaîne et pavillon, il faut passé les câbles à travers les mailons de la chaîne, soit s'il est équipé avec un câble conducteur de mise à la terre individuelle (nu ou isolé), soit s'il est équipé avec un câble d'alimentation SPT-1.
- Les appareils ne devraient pas porte plus de poids que celle prévue pour les verres décoratif.

#### TABLE CONNEXION CABLES:

Connecter le fil de la maison NOIR ou ROUGE (phase) avec:	Connecter le fil de la maison BLANC (neutre) avec:
Noir (Phase)	Bianc (neutre)
Fil parallèle (ronde et lisse)	Fil parallèle (carré ou striée)
Clair, Marron, Or ou Noir SANS traceur	Clair, Marron, or ou Noir AVEC traceur
Fil isolé (autre que Vert) avec conducteur Cuivre	Fil isolé (autre que Vert) avec conducteur Argent

#### CONNEXIONS ÉLECTRIQUES

- Fixez le fil de terre (vert isolé ou cuivre nu) du circuit d'alimentation au support de montage par la vis vert de fixation de terre fourni.
- Connectez le fil de mise à la terre du luminaire au conducteur de mise à la terre du circuit d'alimentation. Fixez tous les conducteurs de terre au support de montage avec la vis vert de fixation.
- Connectez les fils noir et blanc en référant à la table connexion câbles.

#### ATTENTION

Fil libre ou des connexions desserrées ne doivent pas être présents. Fixer avec des connecteurs de fils certifié UL et du ruban électrique.

#### INSTALLATION FINALE

- Installer des ampoules de puissance recommandée, reportez-vous à l'étiquette de remplacement de la lampe situé en proximité de la douille.
- Ne pas dépasser la puissance recommandée.

#### AVERTISSEMENT

Instructions supplémentaires  
Pour la fixation, utiliser les vis fournies et vérifier que le pavillon couvre complètement la boîte de sortie.

In case of change of the article, not previously authorized, the U.S. Certification will be terminated immediately.

# AUBREY SILVER 60" RECT CHANDELIER #66636H402

# ARHAUS®

your home

## parts enclosed:

- C2) cross bar screws (2)
- E) wirenut (3)
- L) oval canopy (1)
- P) Locking plastic nut (1)

## important safety instructions:

1. We recommend installation by a licensed electrician.
  2. To avoid the risk of fire, do not exceed the recommended wattage for this fixture.
- wattage: 7 X 60 W

type socket: E26

## warnings:

1. Do not remove the lamp from its packaging by pulling on the power cord, as a bad connection may result.
2. To avoid the risk of fire, electrical shock, or personal injury, turn off lamp and allow it to cool prior to replacing light bulb.
3. Do not touch bulb when fixture is turned on or look directly at lit bulb.
4. Keep flammable materials away from lit bulb.

## to assemble:

- Disassemble cross bar (C) and metal oval plate (F) from back of the oval canopy (L)
- Unscrew the locking plastic nut (P) from canopy (L)
- Insert wire cord through the locking plastic nut (P) and feed it through the hole in the canopy (L)
- Tighten the locking plastic nut (P)
- Tie the black wires as shown (Q).
- Attach cross bar (C) to the ceiling Junction box using the cross bar screws (C2).
- Attach the metal oval plate (F) to the cross bar (C) using the central cross bar screw(C1), washer(G) and hexnut (H).
- Attach the oval canopy (L) to the metal oval plate (F) using the canopy screws (L1).
- Attach chandelier chains to canopy hook (M).

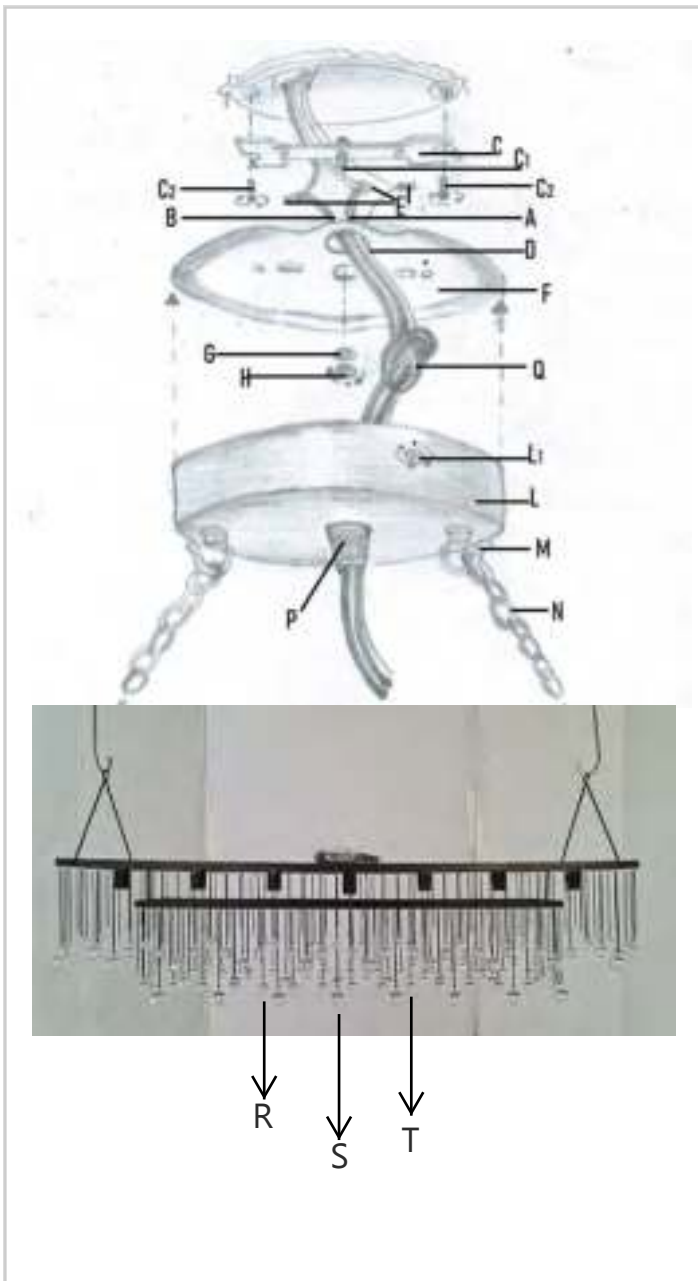
See back of the page for wiring connection details.

## replacement parts assembly:

- To replace glass sphere (R),(S),(T) insert wire clip into the hole on the iron frame. Bend the wire and secure it.

## care instructions:

- Clean with dry soft cloth/brush only.
- Do not use water/alcohol or any detergent.



## INSTALLATION INSTRUCTIONS

### INCANDESCENT SURFACE MOUNTED LUMINAIRES:

#### CAUTION

- A PERSON FAMILIAR WITH THE CONSTRUCTION AND OPERATION OF THE PRODUCT MUST INSTALL THIS PRODUCT IN ACCORDANCE WITH THE APPLICABLE INSTALLATION CODE AND THE HAZARDS INVOLVED.

#### WARNING

- The electricity MUST be turned off at the MAIN FUSE BOX before installation of this luminaire; turning the power off using the light switch is not sufficient to prevent electrical shock.
- Luminaires weighing 50 lbs (25 lbs for surface wall) or more must be mounted directly to the building structure, independently of the electrical box; this installation should not be made on a radiant heat type ceiling.

- If a chain-and-canopy luminaire is provided of an individual grounding conductor (bare or insulated), this shall be interwoven through the chain from the luminaire to the canopy.
- If chain-and-canopy luminaire is provided of a SPT-1 power supply cord type, this shall interwoven through the chain from the luminaire to the canopy.
- The luminaires are not intended to support external weight other than provided glasses.

#### WIRE CONNECTION CHART:

Connect Black or Red (Hot) House Wire to:	Connect White (Neutral) House Wire to:
Black (Hot)	White (Neutral)
Parallel cord (round and smooth)	Parallel cord (square or ridged)
Clear, Brown, Gold or Black without tracer	Clear, Brown, Gold or Black with tracer
Insulated wire (other than green) with copper conductor	Insulated wire (other than green) with silver conductor

#### ELECTRICAL CONNECTION:

- 1 Attach grounding wire (green insulated or bare copper) from the supply circuit to the mounting bracket with the green ground attachment screw provided. Connect the grounding wire of the luminaire to the grounding conductor of the supply circuit. Attach all grounding conductors to the mounting bracket with the green ground wire attachment screw.
- 2 Referring to the Wire Connection Chart, connect the black and white wires.

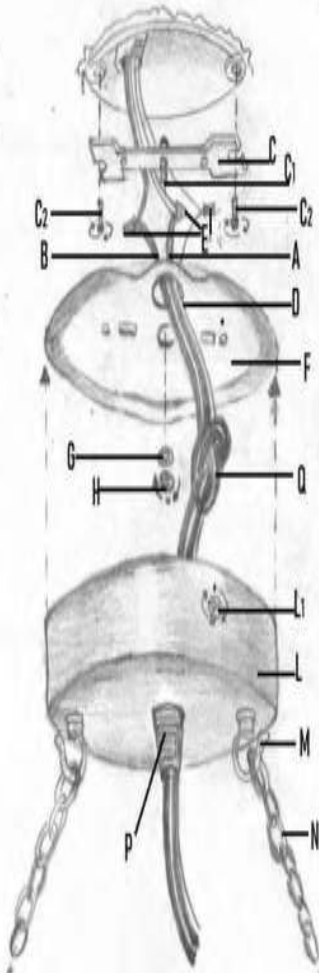
#### CAUTION

No loose strands or loose connections should be present. Secure with U.L. certified wire connectors and electrical tape.

#### FINAL INSTRUCTION:

- 1 Install light bulbs, refer to the relamping label located near the lampholder for recommended wattage. **DO NOT EXCEED THE RECOMMENDED WATTAGE.**
- 2 Restore electricity and check the operation of the luminaire.

In case of change of the article, not previously authorized, the U.L. Certification will be terminated immediately.



## NOTICE DE MONTAGE PLAFONNIERES INCANDESCENTS

### ATTENTION

- Le montage doit être effectué par personnes compétentes selon le code d'installation en vigueur et les risques impliqués.
- La sûreté de l'installation est soumise au correct usage des instructions suivantes.

### AVERTISSEMENT

- Avant d'effectuer chaque opération, couper le courant à la boîte du fusible principale. La mise hors tension grâce à l'interrupteur n'est pas suffisante pour prévenir les chocs électriques.
- Luminaires qui sont lourds 50 Lbs. Ou plus (25 Lbs. Pour appareil mur) doivent être montés directement à la structure du bâtiment, de façon indépendante de la boîte électrique; cette installation ne doit pas être fait sur un plafond avec systèmes de chauffages radiants.
- Dans le cas du luminaire avec chaîne et pavillon, il faut passé les câbles à travers les mailons de la chaîne, soit s'il est équipé avec un câble conducteur de mise à la terre individuelle (nu ou isolé), soit s'il est équipé avec un câble d'alimentation SPT-1.
- Les appareils ne devraient pas porte plus de poids que celle prévue pour les verres décoratif.

#### TABLE CONNEXION CABLES

Connecter le fil de la maison NOIR ou ROUGE (phase) avec:	Connecter le fil de la maison BLANC (neutre) avec:
Noir (Phase)	Blanc (neutre)
Fil parallèle (ronde et lisse)	Fil parallèle (carré ou striée)
Clair, Marron, Or ou Noir SANS traceur	Clair, Marron, or ou Noir AVEC traceur
Fil isolé (autre que Vert) avec conducteur Cuivre	Fil isolé (autre que Vert) avec conducteur Argent

#### CONNEXIONS ÉLECTRIQUES

1. Fixez le fil de terre (vert isolé ou cuivre nu) du circuit d'alimentation au support de montage par la vis vert de fixation de terre fourni.
2. Connectez le fil de mise à la terre du luminaire au conducteur de mise à la terre du circuit d'alimentation. Fixez tous les conducteurs de terre au support de montage avec la vis vert de fixation.
3. Connectez les fils noir et blanc en référant à la table connexion câbles.

#### ATTENTION

Fil libre ou des connexions desserrées ne doivent pas être présents. Fixer avec des connecteurs de fils certifié UL et du ruban électrique.

#### INSTALLATION FINALE

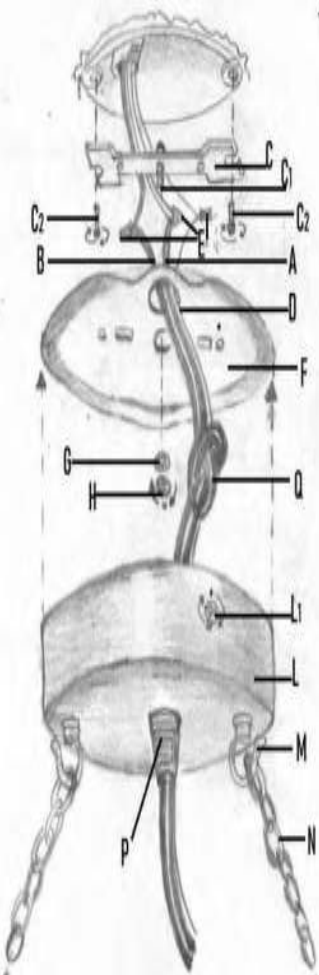
1. Installer des ampoules de puissance recommandée, reportez-vous à l'étiquette de remplacement de la lampe situé en proximité de la douille.
2. Ne pas dépasser la puissance recommandée.

#### AVERTISSEMENT

##### Instructions supplémentaires

Pour la fixation, utiliser les vis fournies et vérifier que le pavillon couvre complètement la boîte de sortie.

En cas de changement d'article, pas autorisé précédemment, la certification U.L. se terminera immédiatement.



# AUBREY SILVER FLUSHMOUNT #66636H403

# ARHAUS®

your home

## parts enclosed:

- (B) Cross bar screws (2)
- (H) wire nuts (3)

## important safety instructions:

1. We recommend installation by a licensed electrician.
2. To avoid the risk of fire, do not exceed the recommended wattage for this fixture.  
wattage: x 40W  
type of socket: E12

## warnings:

1. Do not remove the lamp from its packaging by pulling on the power cord, as a bad connection may result.
2. To avoid the risk of fire, electrical shock, or personal injury, turn off lamp and allow it to cool prior to replacing light bulb.
3. Do not touch bulb when fixture is turned on or look directly at lit bulb.
4. Keep flammable materials away from lit bulb.

## to assemble:

- Disassemble metal box cover(C) and cross bar(A) from back of the flushmount.
- Attach the cross bar(A) to the electrical box using the cross bar screws (B).
- Attach the metal box cover (C) to the cross bar (A) using the metal box cover screws (D).
- Attach the box of the flushmount (E) to the metal box cover (C) using the screws (F).

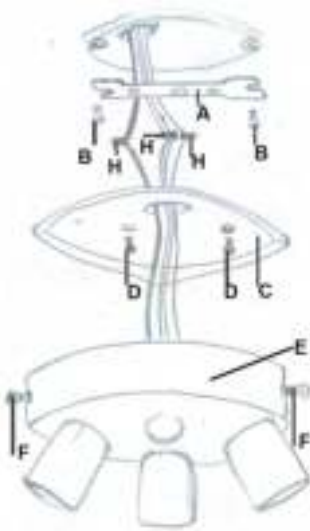
See back of the page for wiring connection details

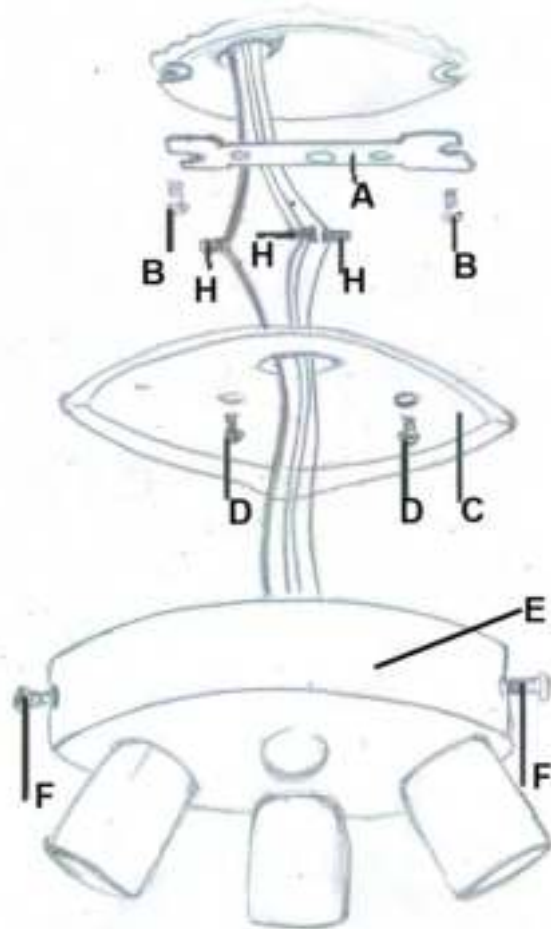
## replacement parts assembly:

- To replace glass sphere (N) insert wire clip into the hole on the iron frame. Bend the wire and secure it.

## care instructions:

Clean with dry soft cloth/brush only.  
Do not use water/alcohol or any detergent.





## INSTALLATION INSTRUCTIONS

### INCANDESCENT SURFACE MOUNTED LUMINAIRES:

#### CAUTION

- A PERSON FAMILIAR WITH THE CONSTRUCTION AND OPERATION OF THE PRODUCT MUST INSTALL THIS PRODUCT IN ACCORDANCE WITH THE APPLICABLE INSTALLATION CODE AND THE HAZARDS INVOLVED.

#### WARNING

- The electricity MUST be turned off at the MAIN FUSE BOX before installation of this luminaire; turning the power off using the light switch is not sufficient to prevent electrical shock.
- Luminaires weighing 50 lbs (25 lbs for surface wall) or more must be mounted directly to the building structure, independently of the electrical box; this installation should not be made on a radiant heat type ceiling.

- If a chain-and-canopy luminaire is provided of an individual grounding conductor (bare or insulated), this shall be interwoven through the chain from the luminaire to the canopy.
- If chain-and-canopy luminaire is provided of a SPT-1 power supply cord type, this shall interwoven through the chain from the luminaire to the canopy.
- The luminaires are not intended to support external weight other than provided glasses.

#### WIRE CONNECTION CHART:

Connect Black or Red (Hot) House Wire to:	Connect White (Neutral) House Wire to:
Black (Hot)	White (Neutral)
Parallél cord (round and smooth)	Parallél cord (square or ridged)
Clear, Brown, Gold or Black without tracer	Clear, Brown, Gold or Black with tracer
(Insulated wire (other than green) with copper conductor	Insulated wire (other than green) with silver conductor

#### ELECTRICAL CONNECTION:

- 1 Attach grounding wire (green insulated or bare copper) from the supply circuit to the mounting bracket with the green ground attachment screw provided. Connect the grounding wire of the luminaire to the grounding conductor of the supply circuit. Attach all grounding conductors to the mounting bracket with the green ground wire attachment screw.
- 2 Referring to the Wire Connection Chart, connect the black and white wires.

#### CAUTION

No loose strands or loose connections should be present. Secure with U.L. certified wire connectors and electrical tape.

#### FINAL INSTRUCTION:

- 1 Install light bulbs; refer to the relamping label located near the lampholder for recommended wattage. DO NOT EXCEED THE RECOMMENDED WATTAGE.
- 2 Restore electricity and check the operation of the luminaire.

In case of change of the article, not previously authorized, the U.L. Certification will be terminated immediately.

## NOTICE DE MONTAGE PLAFONNIERES INCANDESCENTS

### ATTENTION

- Le montage doit être effectué par personnes compétentes selon le code d'installation en vigueur et les risques impliqués.
- La sûreté de l'installation est soumise au correct usage des instructions suivantes.

### AVERTISSEMENT

- Avant d'effectuer chaque opération, couper le courant à la boîte du fusible principale. La mise hors tension grâce à l'interrupteur n'est pas suffisante pour prévenir les chocs électriques.
- Luminaires qui sont lourds 50 Lbs. Ou plus (25 Lbs. Pour appareil mur) doivent être montés directement à la structure du bâtiment, de façon indépendante de la boîte électrique; cette installation ne doit pas être fait sur un plafond avec systèmes de chauffages radiants.
- Dans le cas du luminaire avec chaîne et pavillon, il faut passé les câbles à travers les mailons de la chaîne, soit s'il est équipé avec un câble conducteur de mise à la terre individuelle (nu ou isolé), soit s'il est équipé avec un câble d'alimentation SPT-1.
- Les appareils ne devraient pas porte plus de poids que celle prévue pour les verres décoratif.

#### TABLE CONNEXION CABLES

Connecter le fil de la maison NOIR ou ROUGE (phase) avec:	Connecter le fil de la maison BLANC (neutre) avec:
Noir (Phase)	Bianc (neutre)
Fil parallèle (ronde et lisse)	Fil parallèle (carré ou striée)
Clair, Marron, Or ou Noir SANS traceur	Clair, Marron, or ou Noir AVEC traceur
Fil isolé (autre que Vert) avec conducteur Cuivre	Fil isolé (autre que Vert) avec conducteur Argent

#### CONNEXIONS ÉLECTRIQUES

- 1 Fixez le fil de terre (vert isolé ou cuivre nu) du circuit d'alimentation au support de montage par la vis vert de fixation de terre fourni.
- 2 Connectez le fil de mise à la terre du luminaire au conducteur de mise à la terre du circuit d'alimentation. Fixez tous les conducteurs de terre au support de montage avec la vis vert de fixation.
- 3 Connectez les fils noir et blanc en référant à la table connexion câbles.

### ATTENTION

Fi libre ou des connexions desserrées ne doivent pas être présents. Fixer avec des connecteurs de fils certifié UL et du ruban électrique.

#### INSTALLATION FINALE

- 1 Installer des ampoules de puissance recommandée, reportez-vous à l'étiquette de remplacement de la lampe situé en proximité de la douille.
- 2 Ne pas dépasser la puissance recommandée.

### AVERTISSEMENT

#### Instructions supplémentaires

Pour la fixation, utiliser les vis fournies et vérifier que le pavillon couvre complètement la boîte de sortie.

En cas de changement d'article, pas autorisé précédemment, la certification U.L. se terminera immédiatement.



## parts enclosed:

- Sconce body (1)
- T8 LED Bulb (1)
- Washer (6)
- Mounting screw (8)
- Wiring nut (3)

## important safety instructions:

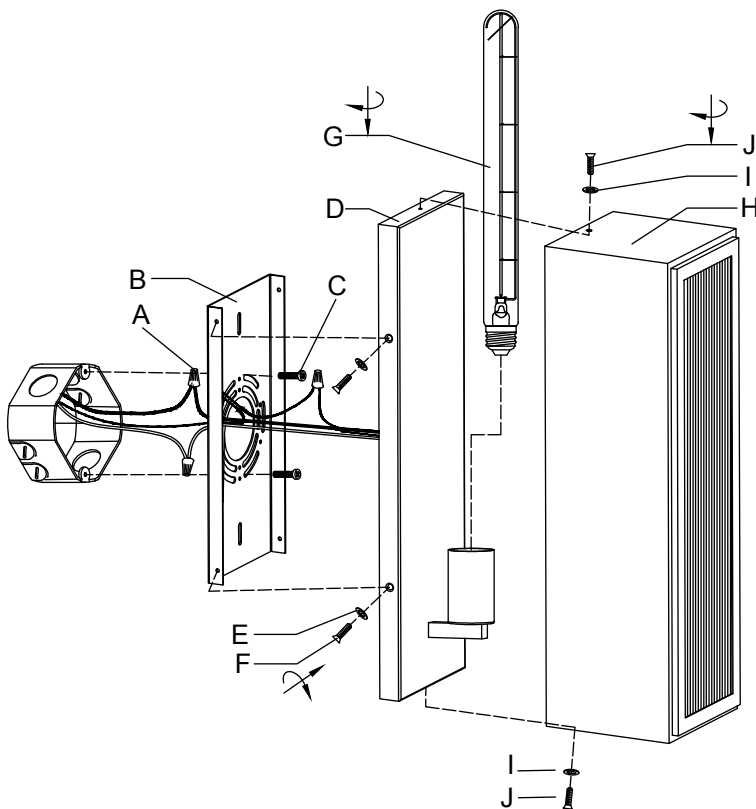
1. Installation by a licensed electrician is strongly recommended.
2. Turn off circuit breakers and power supply to the fixture. Failure to disconnect power supply prior to installation may result in serious injury.

## warnings:

All wires are connected. When unpacking, be careful not to pull wires, as a bad connection may result.

## to assemble:

1. Connect bare ground wire from fixture to bare ground wire from outlet box using wire connector (A).
2. Attach mounting plate (B) to J-Box using screws (C).
3. Attach wall plate (D) to mounting plate (B) and secure with screw (F) and washer (E).
4. Insert bulb (G) into the socket.
5. Place sconce body (H) onto wall plate (D) and secure with washer (I) and screw (J).
6. Assembly is complete.



## care instructions:

Wipe with a clean, dry cloth. Do not use acid or corrosive liquid to clean the lamp.

## parts enclosed:

- Sconce body (1)
- T9 LED Bulb (1)
- Washer (6)
- Mounting screw (8)
- Wiring nut (3)

## important safety instructions:

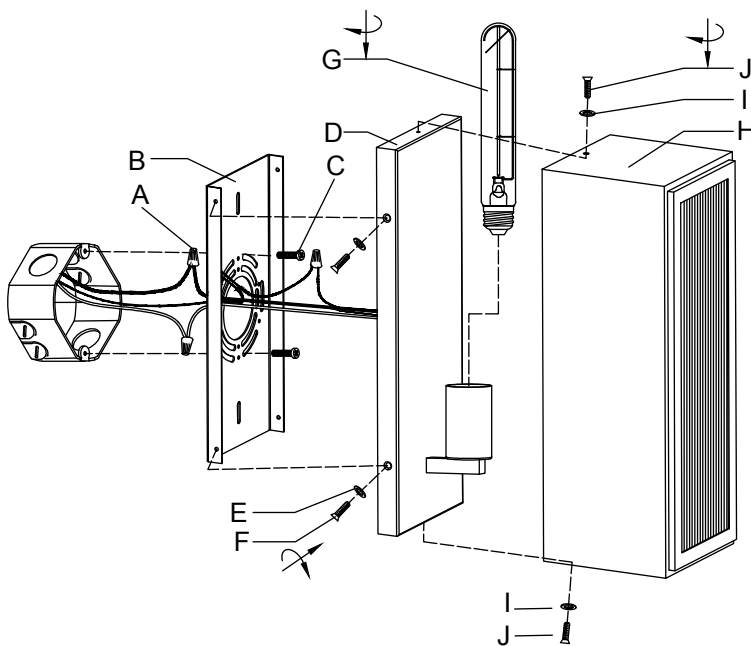
1. Installation by a licensed electrician is strongly recommended.
2. Turn off circuit breakers and power supply to the fixture. Failure to disconnect power supply prior to installation may result in serious injury.

## warnings:

All wires are connected. When unpacking, be careful not to pull wires, as a bad connection may result.

## to assemble:

1. Connect bare ground wire from fixture to bare ground wire from outlet box using wire connector (A).
2. Attach mounting plate (B) to J-Box using screws (C).
3. Attach wall plate (D) to mounting plate (B) and secure with screw (F) and washer (E).
4. Insert bulb (G) into the socket.
5. Place sconce body (H) onto wall plate (D) and secure with washer (I) and screw (J).
6. Assembly is complete.



## care instructions:

Wipe with a clean, dry cloth. Do not use acid or corrosive liquid to clean the lamp.

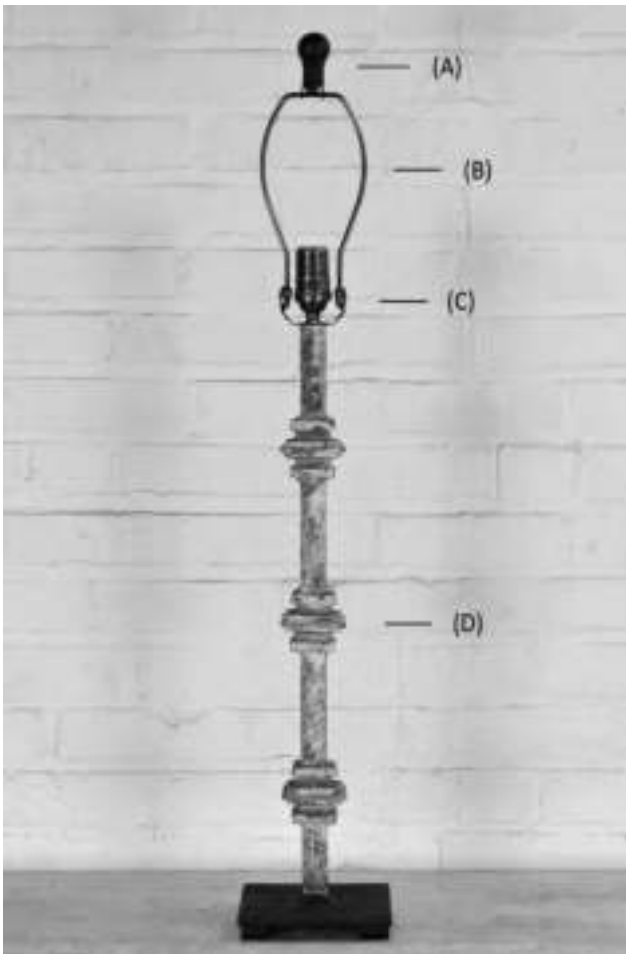
# Avery Buffet Lamp

## 6610024L113B

ARHAUS<sup>®</sup>  
your home

### parts enclosed:

- (A.) Finial (1)
- (B.) Harp (1)



### important safety instructions:

1. To avoid the risk of fire, do not exceed the recommended wattage for this fixture.

MAX BULB WATTAGE: 250 W

BULB: 1 x A-19 (NOT INCLUDED)

### warnings:

1. Do not remove the lamp from its packaging by pulling on the power cord, which could cause a bad connection.
2. To avoid the risk of fire, electrical shock, or personal injury, turn off lamp and allow it to cool prior to replacing light bulb.
3. Do not touch bulb when fixture is turned on or look directly at lit bulb.
4. Keep flammable materials away from lit bulb.

### to assemble:

1. Remove lamp parts from carton.
2. Place the lamp base (D) on a flat surface.
3. Insert the harp (B) into the harp saddle (C).
4. Place the shade (not included) on to the harp (B).
5. Gently tighten the finial (A) and affix the shade in place.

### care instructions:

Dust with a dry or dampened cloth or with a vacuum cleaner attachment

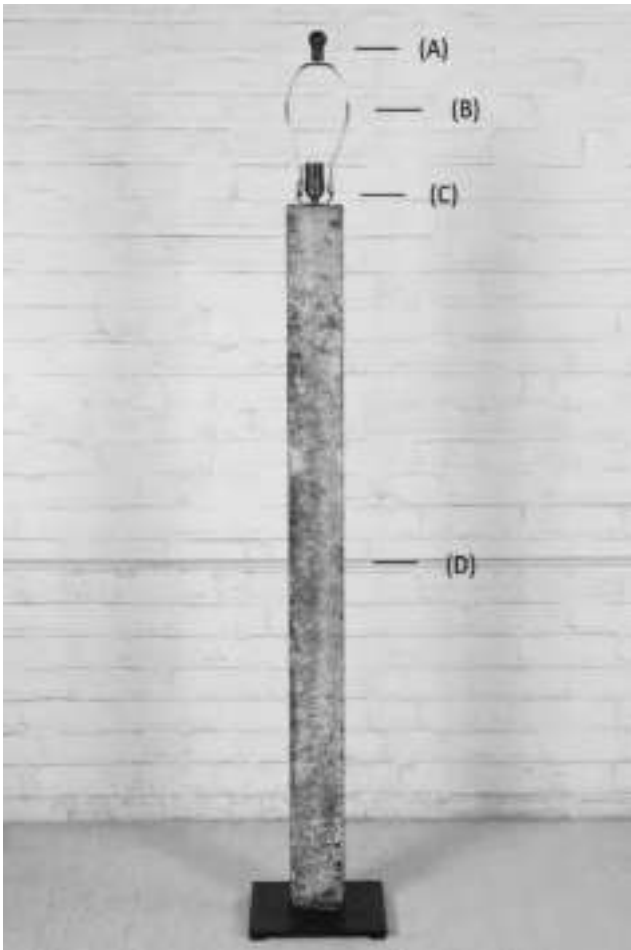
# Avery Column Floor Lamp

## 6610024L116B

ARHAUS<sup>®</sup>  
your home

### parts enclosed:

- (A.) Finial (1)
- (B.) Harp (1)



### important safety instructions:

1. To avoid the risk of fire, do not exceed the recommended wattage for this fixture.

MAX BULB WATTAGE: 250 W

BULB: 1 x A-19 (NOT INCLUDED)

### warnings:

1. Do not remove the lamp from its packaging by pulling on the power cord, which could cause a bad connection.
2. To avoid the risk of fire, electrical shock, or personal injury, turn off lamp and allow it to cool prior to replacing light bulb.
3. Do not touch bulb when fixture is turned on or look directly at lit bulb.
4. Keep flammable materials away from lit bulb.

### to assemble:

1. Remove lamp parts from carton.
2. Place the lamp base (D) on a flat surface.
3. Insert the harp (B) into the harp saddle (C).
4. Place the shade (not included) on to the harp (B).
5. Gently tighten the finial (A) and affix the shade in place.

### care instructions:

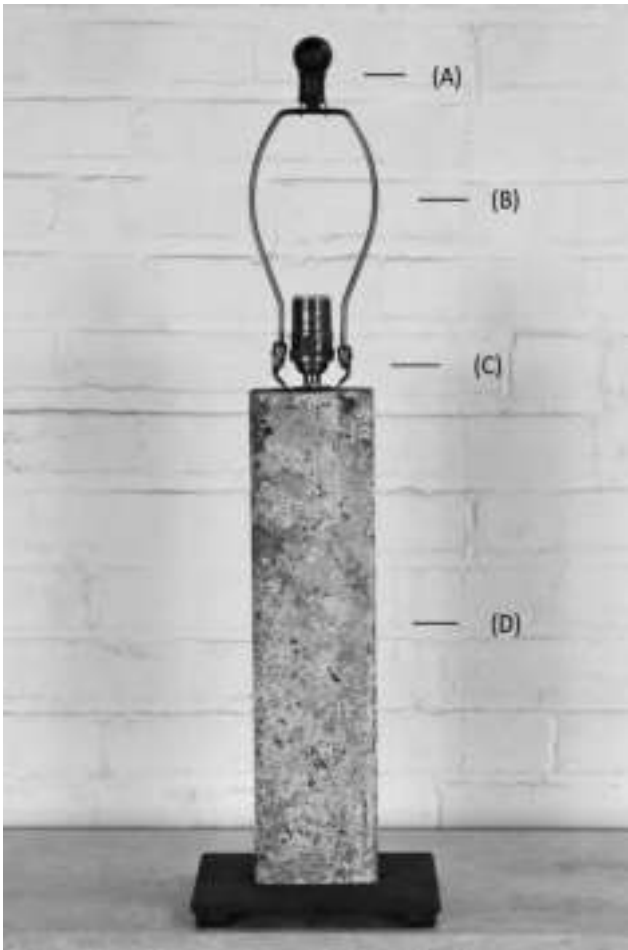
Dust with a dry or dampened cloth or with a vacuum cleaner attachment

# Avery Column Table Lamp 6610024L115B

ARHAUS<sup>®</sup>  
your home

## parts enclosed:

- (A.) Finial (1)
- (B.) Harp (1)



## important safety instructions:

1. To avoid the risk of fire, do not exceed the recommended wattage for this fixture.

MAX BULB WATTAGE: 250 W

BULB: 1 x A-19 (NOT INCLUDED)

## warnings:

1. Do not remove the lamp from its packaging by pulling on the power cord, which could cause a bad connection.
2. To avoid the risk of fire, electrical shock, or personal injury, turn off lamp and allow it to cool prior to replacing light bulb.
3. Do not touch bulb when fixture is turned on or look directly at lit bulb.
4. Keep flammable materials away from lit bulb.

## to assemble:

1. Remove lamp parts from carton.
2. Place the lamp base (D) on a flat surface.
3. Insert the harp (B) into the harp saddle (C).
4. Place the shade (not included) on to the harp (B).
5. Gently tighten the finial (A) and affix the shade in place.

## care instructions:

Dust with a dry or dampened cloth or with a vacuum cleaner attachment

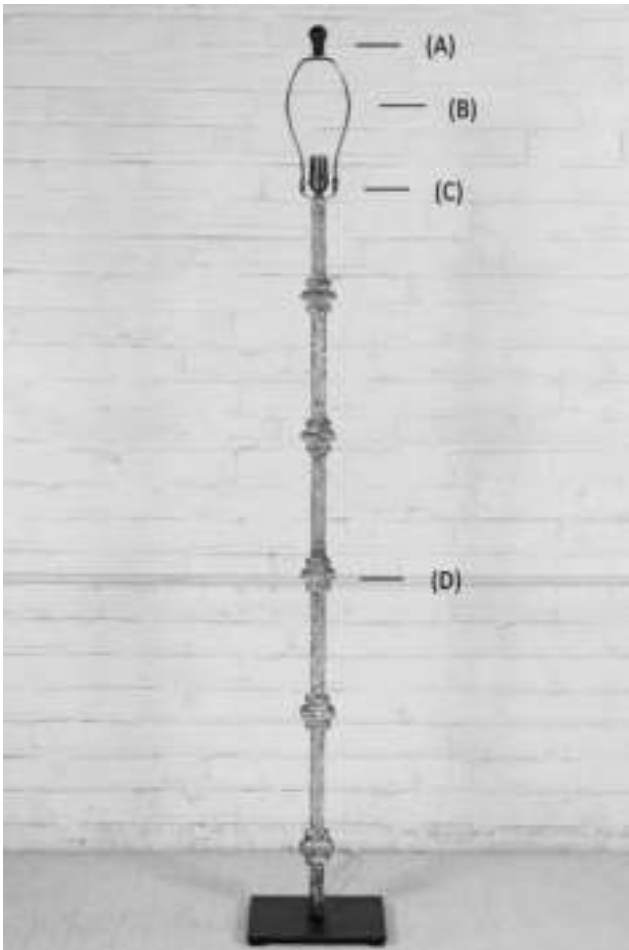
# Avery Floor Lamp

## 6610024L114B

ARHAUS<sup>®</sup>  
your home

### parts enclosed:

- (A.) Finial (1)
- (B.) Harp (1)



### important safety instructions:

1. To avoid the risk of fire, do not exceed the recommended wattage for this fixture.

MAX BULB WATTAGE: 250 W

BULB: 1 x A-19 (NOT INCLUDED)

### warnings:

1. Do not remove the lamp from its packaging by pulling on the power cord, which could cause a bad connection.
2. To avoid the risk of fire, electrical shock, or personal injury, turn off lamp and allow it to cool prior to replacing light bulb.
3. Do not touch bulb when fixture is turned on or look directly at lit bulb.
4. Keep flammable materials away from lit bulb.

### to assemble:

1. Remove lamp parts from carton.
2. Place the lamp base (D) on a flat surface.
3. Insert the harp (B) into the harp saddle (C).
4. Place the shade (not included) on to the harp (B).
5. Gently tighten the finial (A) and affix the shade in place.

### care instructions:

Dust with a dry or dampened cloth or with a vacuum cleaner attachment

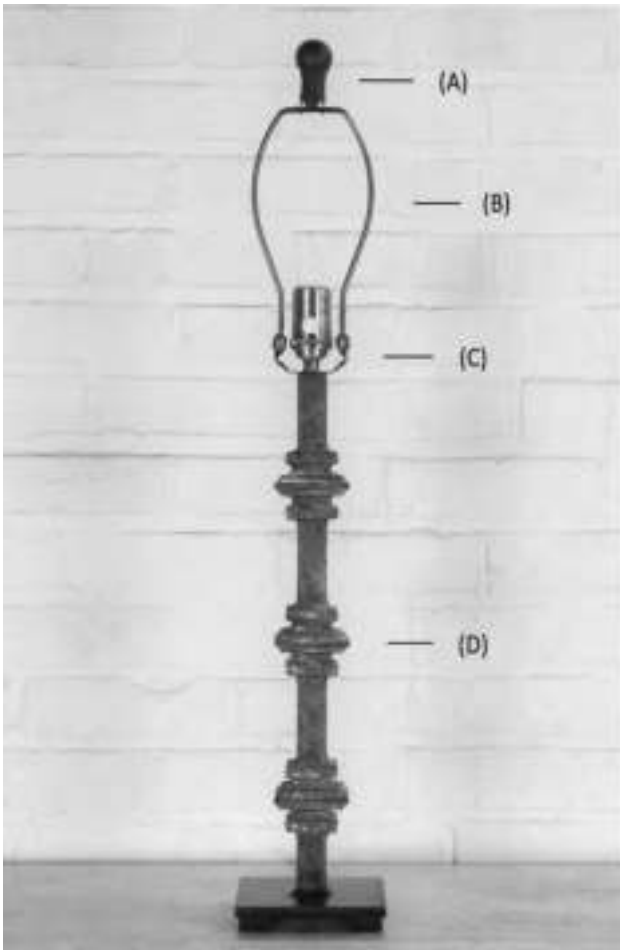
# Avery Table Lamp

## 6610024L112B

ARHAUS<sup>®</sup>  
your home

### parts enclosed:

- (A.) Finial (1)
- (B.) Harp (1)



### important safety instructions:

1. To avoid the risk of fire, do not exceed the recommended wattage for this fixture.

MAX BULB WATTAGE: 250 W

BULB: 1 x A-19 (NOT INCLUDED)

### warnings:

1. Do not remove the lamp from its packaging by pulling on the power cord, which could cause a bad connection.
2. To avoid the risk of fire, electrical shock, or personal injury, turn off lamp and allow it to cool prior to replacing light bulb.
3. Do not touch bulb when fixture is turned on or look directly at lit bulb.
4. Keep flammable materials away from lit bulb.

### to assemble:

1. Remove lamp parts from carton.
2. Place the lamp base (D) on a flat surface.
3. Insert the harp (B) into the harp saddle (C).
4. Place the shade (not included) on to the harp (B).
5. Gently tighten the finial (A) and affix the shade in place.

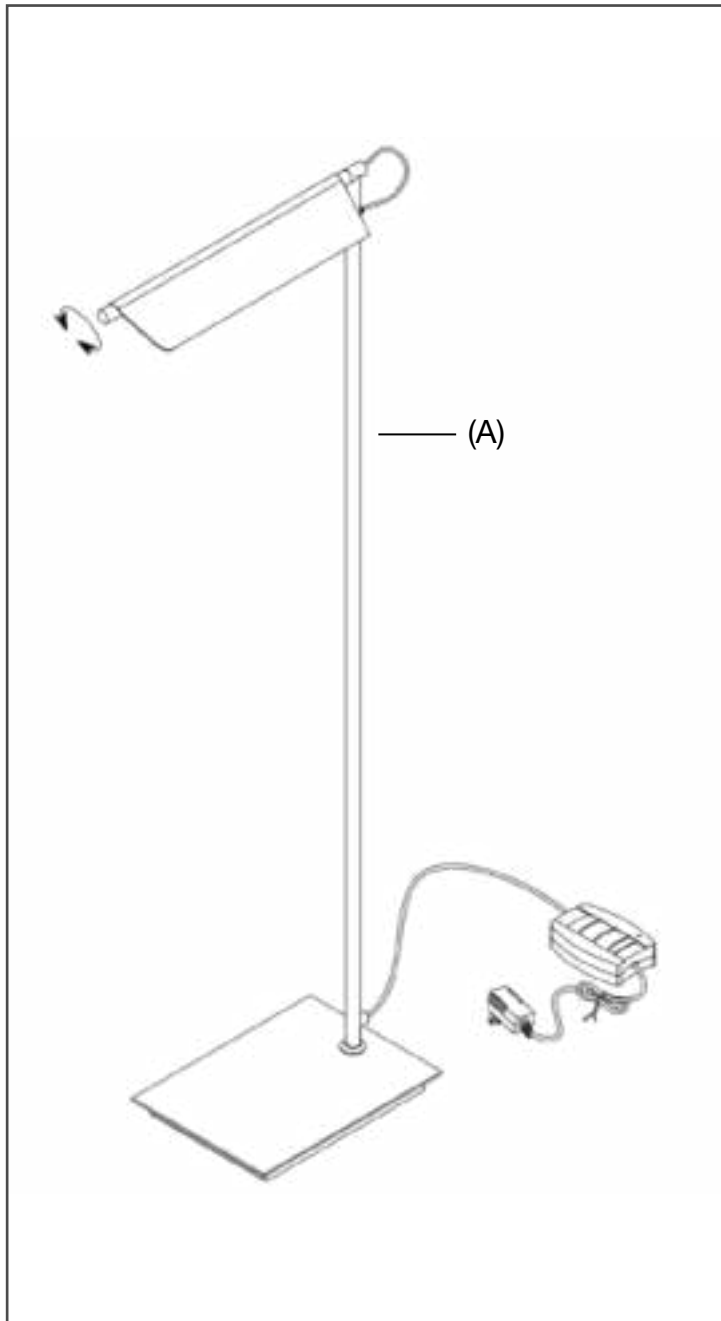
### care instructions:

Dust with a dry or dampened cloth or with a vacuum cleaner attachment

# AXLE BRASS TASK FLOOR LAMP

**parts enclosed:**

(A) Lamp (1)

**important safety instructions:**

1. We recommend installation by a licensed electrician.
2. To avoid the risk of fire, do not exceed the recommended wattage for this fixture.

ETL NO: ETL5018481, ETL RATING: DRY,  
BULB: SMD LED 8W, DIMMABLE

**warnings:**

1. Do not remove the lamp from its packaging by pulling on the power cord, as a bad connection may result.
2. To avoid the risk of fire, electrical shock, or personal injury, turn off lamp and allow it to cool prior to replacing light bulb.
3. Do not touch bulb when fixture is turned on or look directly at lit bulb.
4. Keep flammable materials away from lit bulb.

**to assemble:**

1. Remove lamp parts from carton.
2. Place the lamp base (A) on a flat surface.
3. Gently adjust the shade by rotating it to the desired angle.
4. Plug in the lamp.

**care instructions:**

Wipe with a clean, dry cloth. Do not use polishes or cleaners on your lamp.



# AXLE BRASS TASK TABLE LAMP

**parts enclosed:**

(A) Lamp (1)

**important safety instructions:**

1. We recommend installation by a licensed electrician.
2. To avoid the risk of fire, do not exceed the recommended wattage for this fixture.

ETL NO: ETL5018481, ETL RATING: DRY,  
BULB: SMD LED 8W, DIMMABLE

**warnings:**

1. Do not remove the lamp from its packaging by pulling on the power cord, as a bad connection may result.
2. To avoid the risk of fire, electrical shock, or personal injury, turn off lamp and allow it to cool prior to replacing light bulb.
3. Do not touch bulb when fixture is turned on or look directly at lit bulb.
4. Keep flammable materials away from lit bulb.

**to assemble:**

1. Remove lamp parts from carton.
2. Place the lamp base (A) on a flat surface.
3. Gently adjust the shade by rotating it to the desired angle.
4. Plug in the lamp.

**care instructions:**

Wipe with a clean, dry cloth. Do not use polishes or cleaners on your lamp.

