



ARMCHAIR

27" w x 32" d x 46" h  
Crypton® Cushing Frost  
Woodstock Natural/Black  
Westport Navy/Black  
Gibby Copper

30HALSTCFARM  
30HALSTARMN  
30HALSTWPN  
ZHHFDAB\*

SIDE CHAIR\*

21" w x 32" d x 46" h

\*available by special order

STATELY AND FASHIONABLE

Crafted by American furniture artisans in North Carolina, our Halstead Dining Chair features a classic yet modern wingback design. Its chic silhouette features majestic arms and a deep seat that are as inviting to view as they are comfortable. Versatile enough to fit any formal dining space or casual breakfast nook, this seat can be easily styled and customized to complement your existing décor and tell your personal style story.

PRODUCT DETAILS

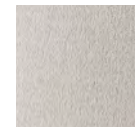
- + Solid pine cabinets are reinforced with mortise-and-tenon joinery for added strength and stability.
- + Hand-painted and distressed finishes are coated with lacquer for added protection.
- + Handcrafted materials with hand-applied finishes may vary in color, pattern, shape, and texture, ensuring no two Merrit Cabinets appear exactly alike
- + Natural wood may display small splits, knot, joint lines, or other organic features, imparting truly one-of-a-kind character.
- + Keep your furniture looking its best. Visit [arhaus.com](http://arhaus.com) or speak to any Arhaus Design Consultant for care recommendations.

CRAFT A CUSTOM LOOK

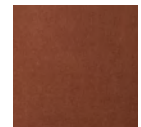
This collection is available in customizable **Fabrics, Leathers, Slipcovers, Finishes, and more.**

Visit a store, call **866.427.4287**, or **live chat** with our Design Team to learn more.

PERFORMANCE FABRICS:



Crypton®  
Cushing Frost

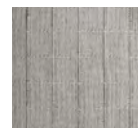


Gibby  
Copper\*

FABRICS:



Woodstock  
Natural



Westport  
Navy

FINISH:



Black

\*available by special order

# ARHAUS®

your home

# HARMAN

CAMBRIDGE DINING COLLECTION

MADE IN AMERICA

shown in  
Iradessa Slate



## SOPHISTICATED AND ENDLESSLY CUSTOMIZABLE

in hundreds of fabrics and leathers, our Harman Dining Chairs mingle well with any décor. The perfect host for an elegant affair, Harman is just as tough underneath its beautiful exterior. Made of solid maple using mortise-and-tenon assembly and supportive upholstered seats, this collection is well suited for everyday living.



### NEED HELP?

Visit a store, call **866.427.4287**, or **live chat** with our Design Team to learn more.

# ARHAUS®

your home

# HARMAN

CAMBRIDGE DINING COLLECTION

MADE IN AMERICA

shown in  
Fasten Up Natural



## PRODUCT DETAILS

- + Craftsman-built frames are constructed using solid, reinforced maple wood with mortis-and-tenon joinery for lasting strength and stability.
- + Squared, solid maple legs are gently tapered and enhanced with stain and translucent lacquer for a deep, rich finish that is both durable and beautiful.
- + Made in America—this collection was handcrafted by upholstery artisans in North Carolina.
- + Arhaus upholstery is made using wood certified by the Sustainable Forestry Initiative.
- + Generously upholstered seats are padded with dense, resilient foam and feature no-sag, recycled-steel, sinuous support systems for evenly dispersed, firm yet flexible comfort.
- + Wide, flared chair backs are sustained by foam and flexible rubber webbing for resilient support and stability.
- + Tidy rows of antique brass nailheads are meticulously tacked into place, punctuating each chair back's silhouette and adding a touch of polish.
- + Our Brenta Dune and Fasten Up Natural Performance Fabrics are extremely durable and resist stains and fading yet remains beautiful and soft to the touch.
- + Chairs upholstered with Brenta Dune or Fasten Up Natural are not accented with nailheads.
- + Keep your furniture looking its best. Visit [arhaus.com](http://arhaus.com) or speak to any Arhaus Design Consultant for care recommendations.

## CRAFT A CUSTOM LOOK

This collection is available in customizable **Fabrics, Leathers, Finishes, and more.**

Visit a store, call **866.427.4287**, or **live chat** with our Design Team to learn more.

## FABRICS:



Fasten Up  
Natural



Iradessa  
Slate



Lombardy  
Flint /  
Reclaimed  
Drift



Brenta  
Dune /  
Gunpowder

## FINISHES:



Reclaimed  
Drift



Gunpowder

# ARHAUS®

your home

# HARMAN

CAMBRIDGE DINING COLLECTION

MADE IN AMERICA

shown in  
Brenta Dune/Gunpowder



## SIDE CHAIR

23" w x 29" d x 41" h

Iradessa Slate/Reclaimed Drift  
Lombardy Flint/Reclaimed Drift  
Brenta Dune/Gunpowder

30HARMAN6  
30HARMANFLNT  
30HARMANDUNE

shown in  
Fasten Up Natural/  
Gunpowder



## ARMCHAIR

26" w x 29" d x 41" h

Fasten Up Natural/ Gunpowder

30HRMARMFSNT

shown in  
Chaps Havana  
Brown/Cinder



## INVITE WARMTH & TEXTURE INTO YOUR DINING EXPERIENCE

Inspired by the braided and woven patterns of artisan-made baskets, our Henry Dining Chair Collection is handcrafted by master artisans. Woven leather straps with their suede sides facing out create a unique and modern texture.

### PRODUCT DETAILS

- + Hand-finished solid oak frame is joined using a mortise-and-tenon construction for added strength and stability.
- + Artisan-applied finish is sanded and stained by hand, then distressed and coated with lacquer for added protection.
- + Unfinished suede does not have a protective covering and will deepen in color with wear and use—adding truly unique character to your piece.
- + Natural wood will vary in color and texture, featuring natural markings that add character without affecting quality or performance.
- + Due to the natural variances of suede, the coloring and shading of Henry's straps may vary slightly.
- + Dining Side Chair seat measures 19.25" h.
- + Barstool seat measures 30.25" h.
- + Counter Stool seat measures 26.25" h.
- + Bench seat measures 19.75" h.
- + Keep your furniture looking its best. Visit [arhaus.com](http://arhaus.com) or speak to any Arhaus Design Consultant for care recommendations.

### SUEDES:



Chaps  
Havana  
Brown



Top Grain  
Black

### FINISH:



Cinder

### NEED HELP?

Visit a store, call **866.427.4287**, or **live chat** with our Design Team to learn more.

# ARHAUS®

your home

# HENRY

DINING CHAIR COLLECTION | MADE IN CHINA

shown in  
Top Grain  
Black/Cinder



## DINING SIDE CHAIR

20" w x 24" d x 35" h; seat: 19.25" h

Chaps Havana Brown/Cinder  
Top Grain Black/Cinder

30HNRYCNBRN  
30HRYBKSDSC

shown in  
Chaps Havana  
Brown/Cinder



## BARSTOOL

20" w x 23.5" d x 43.5" h; seat: 30.25" h

Chaps Havana Brown/Cinder  
Top Grain Black/Cinder

30HNRYLTHBS  
30HRYBKSDBRS



## COUNTER STOOL

20" w x 23.5" d x 39.25" h; seat: 26.25" h

Chaps Havana Brown/Cinder  
Top Grain Black/Cinder

30HNRYLTHCS  
30HRYBKSDCRS

# ARHAUS®

your home

# HENRY

DINING CHAIR COLLECTION | MADE IN CHINA



## BACKLESS BARSTOOL

18.5" w x 18" d x 30.25" h; seat: 30.25" h

Chaps Havana Brown/Cinder 30HNRYLKLBLS

Top Grain Black/Cinder 30HRYBLKLBLS



## BACKLESS COUNTER STOOL

18.5" w x 18" d x 26.25" h; seat: 26.25" h

Chaps Havana Brown/Cinder 30HNRYLKLBLS

Top Grain Black/Cinder 30HRYBLKLBLS

shown in  
Top Grain  
Black/Cinder



## BACKLESS BENCH

60" w x 19.5" d x 19.75" h; seat: 19.75" h

Chaps Havana Brown/Cinder 30HNRYLTHBN

Top Grain Black/Cinder 30HRYBKSLBKB

DISCONTINUED

ARHAUS

your home

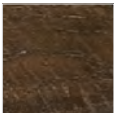
higgins



Finishes



Ashland  
Natural



Ashland  
Black



Ashland  
Brown

Media Console

74" w x 23" d x 45" h

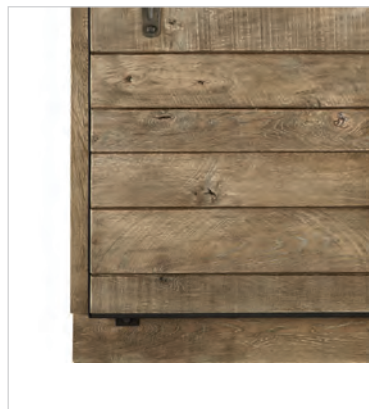
Ashland Natural 30HIGGINS

## reminiscent of barns tucked amongst the hilltops of amish country

our handcrafted Higgins Sideboard displays the distressed look of heavy barnyard doors with hand-selected planks of oak. Generous proportions provide ample space for your storage needs and are versatile enough to transition from dining spaces to a den or home office. Cast iron wheels and hardware complete the look.

### product details

- ▶ Handcrafted of solid oak and veneer, selected for its strength and character, each piece will have slightly different shading and grain patterns.
- ▶ Each solid oak plank is heavily distressed and purposefully varies in size to mimic original barn doors.
- ▶ Knot holes and uneven planks are intentional to the rustic design and add character without effecting performance.
- ▶ Oak surfaces are wire-brushed to bring out the wood's natural grain and then heavily distressed for a uniquely antique look.
- ▶ Multiple layers of stain and glaze are applied to create warm finishes, which are coated with lacquer for added protection and subtle sheen.
- ▶ The top drawer fronts and frames are constructed using mortise-and-tenon assembly.
- ▶ Drawers feature full-extension, metal soft-close glides.
- ▶ Iron hardware and two cast iron wheels are finished in an antiqued rust patina, creating a timeworn look.
- ▶ Keep your furniture looking its best. Visit [arhaus.com](http://arhaus.com) or speak to any Arhaus Design Consultant for care recommendations.





# DINING PARTS SKUS

Super Category	Product ID	Description	Collection	Route
DINING	91378HIGHAN	HIGGINS DOOR HANDLE	PT-HIGGINS	PART
DINING	91HIGSHLFPEG	HIGGINS SHELF PEG SHELF PEG	PT-HIGGINS	

# ARHAUS®

your home

## holmes



### Side Chair

20" w x 22.5" d x 39" h

Burnished Brown 30HOLMBRN  
Aged Black 30HOLMBLK  
Dover White 30HOLMWHTSD



### Armchair

22" w x 22.5" d x 39" h

Burnished Brown 30HOLMARMBRN  
Aged Black 30HOLMBARM  
Dover White 30HOLMWARM



### Black Bar Stool

20" w x 21" d x 44.5" h

Aged Black 30HOLMB30



### Black Counter Stool

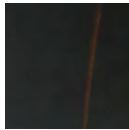
20" w x 21" d x 39" h

Aged Black 30HOLMB24

### Finishes:



Burnished  
Brown



Aged Black



Dover White

### your style your way

Our Design Consultants can help you craft a custom design with hundreds of options to choose from. Ask in store or call **866.427.4287**

## at a roadside antique shop in rural Ohio

We found this American, farmhouse-style dining chair and loved its classic form. We sent the original to one of our miracle workers in Northern Italy—a region known for its chair production—and asked him to create a reproduction we'd call the Holmes Chair. With just a few adjustments to the form and the addition of a thick, padded seat for comfort, we had what we wanted. Classic farmhouse style is extremely versatile and pairs well with both traditional and more contemporary styles for an eclectic look.

### product details

- ▶ Craftsman-built dining chairs frames are constructed from solid, reinforced, kiln-dried beech hardwood, selected for its smooth grain, exceptional strength and stability.
- ▶ Finishes are meticulously applied by hand. Wood surfaces are painted and distressed to achieve a sophisticated, layered look.
- ▶ Finishes are lacquered for added protection and a subtle sheen.
- ▶ Fully padded drop-in seats may be fitted in your choice of dining fabric to complement any décor.
- ▶ Large seats are generously padded with dense, eco-friendly foam sustained by a flexible network of durable rubber webbing for evenly dispersed support and hours of comfort.



# ARHAUS®

your home

## industrial

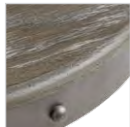


**Stool**  
19.25" w x 19.25" d x 36" h  
Metallic Grey/Silver Oak 30INDSTLGG  
Champaign/Black Oak 30INDSTLCB

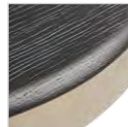


**Backless Stool**  
19.25" w x 19.25" d x 24" h  
Metallic Grey/Silver Oak 30INDSTLBLGG  
Champaign/Black Oak 30INDSTLBLCB

### Finishes:



Metallic  
Grey/  
Silver Oak



Champaign/  
Black Oak

## industrial, modern, eclectic

Encourage gathering and complement casual dining spaces with the rustic, contemporary style of our Industrial Dining Stool Collection. Craftsman-built dining stools bases are hand-welded using solid iron, while stool seats are made from solid, hand-finished oak. Hand-welded metal stool bases are powder-coated to create an incredibly durable, subtly textured finish that complements hand-stained stool seats. A layer of hand-applied lacquer provides added protection and a subtle sheen.

### product details

- ▶ Craftsman-built stool bases are hand-welded from solid iron. Stool seats are made from solid oak.
- ▶ Iron stool bases feature hand-applied, powder-coated finishes for added durability and subtle texture.
- ▶ Stool seats are hand-stained and lacquered for added protection and sheen.
- ▶ Stools adjust to both counter and bar heights.
- ▶ Our wood furnishings are artisan-crafted using sustainably sourced materials from around the world, and the majority of our wood finishes are applied by hand. Due to this, individual pieces may vary in color, pattern, shape, and texture, making each piece truly unique.
- ▶ Wood furnishings may display small splits, knots, joint lines, or other organic features. These markings are normal and will not affect the performance of your piece.
- ▶ Furniture made from natural wood may move slightly as temperature and humidity cause the wood to expand and contract. This is normal and should be expected from season to season.
- ▶ Keep your furniture looking its best. Visit [arhaus.com](http://arhaus.com) or speak to any Arhaus Design Consultant for care recommendations.



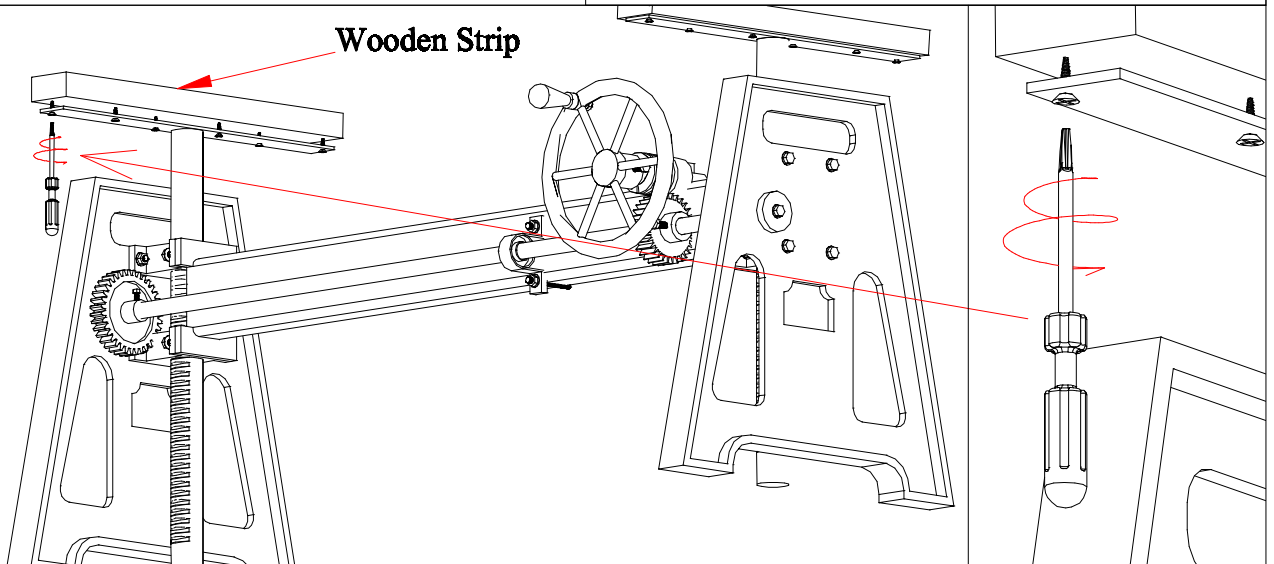
# ASSEMBLY INSTRUCTIONS

## Instructions:-

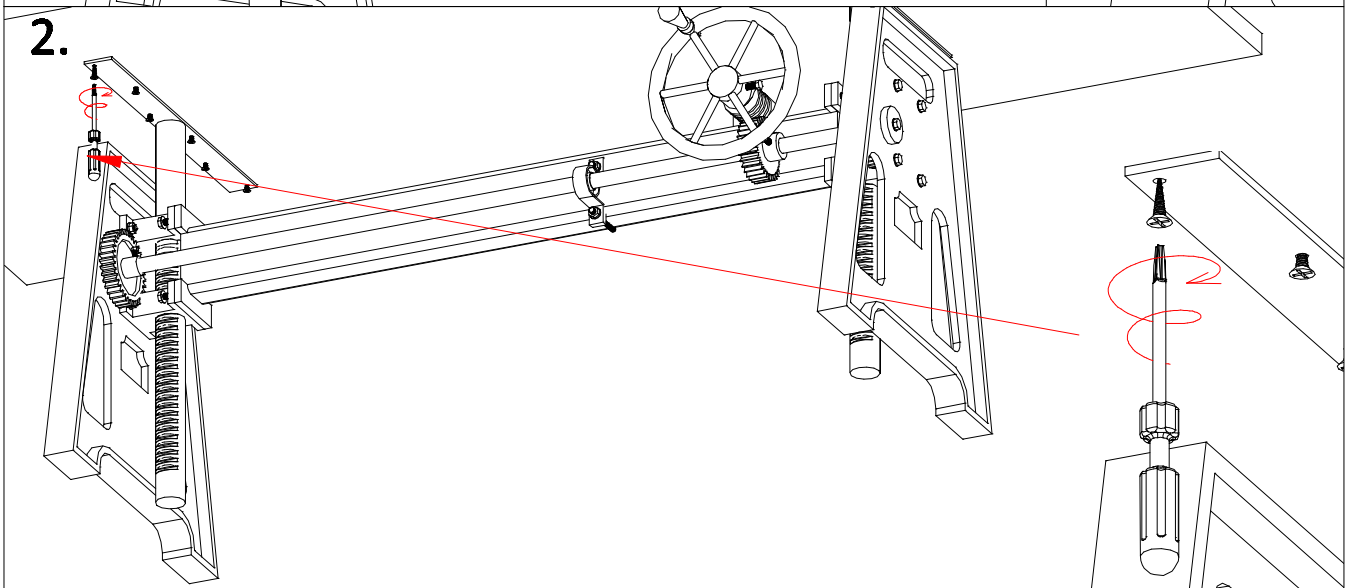
1. Untighten the screw using the Screw Driver to remove the wooden strip.
2. Place the top on the Metal Strip & Align it.
3. Tighten the screw to fix the top.
4. Table is ready to use.

Note:- Using Screw as per top thickness.

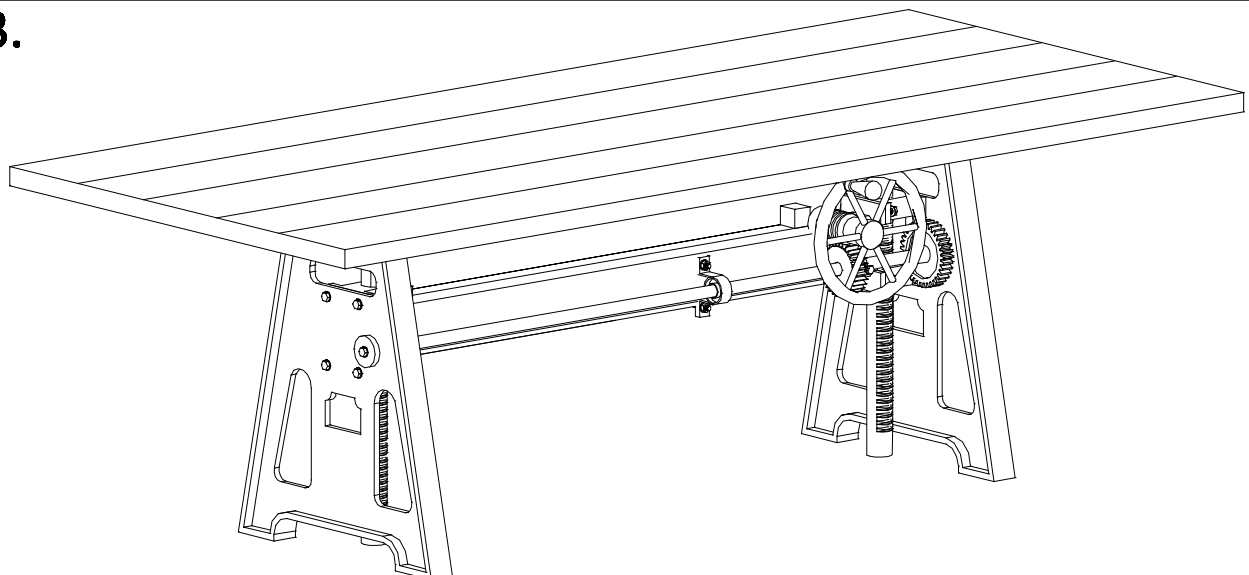
1.



2.



3.



# Parts Inventory

Super Category	Product ID	Description	Stat	Collection	Route
DESK	91INDCRSCRWS	IND CRNK BASE DECOR SCREW 55INDCRDKBS3	A	PT-INDCRNK	PART
DESK	91FILDTR86BHDL	IND CRNK BASE HANDLE HANDLE FOR WHEEL	A	PT-INDCRNK	PART
DESK	91FILDTR86BWHL	IND CRNK BASE WHEEL -FOR LG DK WHEEL - TO CRANK DESK	A	PT-INDCRNK	PART
DESK	91INDCRKHDWR	IND CRNK DRAFT TBL HRDWR KIT	A	PT-INDCRNK	PART
DESK	91INDPNCLHLD	IND CRNK DRAFT TBL PNCL HLDR 55INDCDTKT	A	PT-INDCRNK	PART
DESK	91INDCRNKLOCK	IND CRNK LOCK STARBOLT LOCK	A	PT-INDCRNK	PART
DESK	55INDLFRSBKT	IND CRNK RISR BRKT LFT LEFT RISER BRACKET	A	PT-INDCRNK	PART
DESK	55INDRTRSBKT	IND CRNK RISR BRKT RT RIGHT RISER BRACKET	A	PT-INDCRNK	PART
DESK	91INDCKBOLTS	INDSTRL CRK BOLTS ON PEN HOLDR SET OF 2 BOLTS	A	PT-INDCRNK	
DESK	91INDCKSMWHEEL	INDUSTRIAL CRANK SM WHEEL 1 SMALL WHEEL	A	PT-INDCRNK	

# ARHAUS®

your home

## irving



**Finish:**



Light Burnt Oak

**Buffet**

63" w x 19.75" d x 31.5" h  
30IRVINGBUF

## striking storage

Our contemporary Irving buffet features a beautiful mix of materials and handcrafted finishes that will elevate your space by adding a unique focal point to your décor. Antique mirrored cabinet doors are complemented by a dark, stained, geometric, honeycomb motif. Oak surfaces are complemented by both light and dark tones that accentuate the wood's dramatic grain. And, ample storage provides space for place settings, serveware, and more.

## product details

- ▶ Craftsman-built from oak—selected for its strength and stability—complemented by antiqued, mirrored glass.
- ▶ Featuring geometric honeycomb motif, antique mirrored cabinet doors are complemented by black stained wood.
- ▶ Hand-finished oak surfaces are sanded, stained, sealed, and lacquered for added protection and a subtle sheen.
- ▶ Cord management holes accommodate cooking and serving appliances or other electronics.
- ▶ This collection is artisan-crafted from natural materials with hand-applied finishes. Individual pieces may vary in color, pattern, shape, and texture, making each truly unique.
- ▶ Natural wood may display small splits, knots, joint lines, or other organic features that will not affect the quality or performance of your piece.
- ▶ Furniture made from natural wood may move slightly due to temperature and humidity. This is normal and should be expected from season to season.
- ▶ Keep your furniture looking its best. Visit [arhaus.com](http://arhaus.com) or speak to any Arhaus Design Consultant for care recommendations.



# Parts Inventory

Super Category	Product ID	Description	Stat	Collection
DINING	91IRVBUFDHNG	IRVING BUF DOOR HINGE 1 RIGHT AND LEFT DOORS	A	PT-IRVING
DINING	91IRVBUFHNG2	IRVING BUF DOOR HINGE 2 MIDDLE DOORS	A	PT-IRVING
DINING	91IRVBUFSLT	IRVING BUFFET SHELF SLAT/PEG SHELF SLAT/PEG	A	PT-IRVING

**ARMCHAIR**

26.5" w x 26.5" d x 41" h

Tundra Stone/Nero 30ISABLARCH2

**SIDE CHAIR**

21" w x 24" d x 41" h

Tundra Stone/Nero 30ISABLNSDCH

## additional dimensions

Armchair seat 19.5" h; Armchair arms: 25.5" h

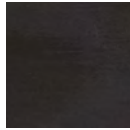
Side Chair seat 19.5" h

## PERFORMANCE FABRIC:



Tundra Stone

## FINISH:



Nero

## YOUR STYLE YOUR WAY

Craft a custom design that tells your story. This collection is available in special-order **Fabrics, Finishes, and more**, details below.

Ask in store or call **866.427.4287**

"EVERY BRUSHSTROKE, EVERY CARVING, EVERY DETAIL IS BEAUTIFUL."

-JOHN REED, ARHAUS COFOUNDER

The updated yet traditional aesthetic of our Isabella Dining Chair Collection is handcrafted by master artisans in a region of Italy known for its furniture making. Our exclusive partners for more than 20 years, a family of artists and craftsmen build each chair by hand from solid beech wood and beech veneers. Finishes are meticulously applied by hand with multiple layers of stain and distressing, using techniques passed down from one generation to the next, combining comfort and style that lets you gather a little longer.



## PRODUCT DETAILS

- + Dining Chairs handcrafted by Italian artisans are built from solid beech wood and beech veneers.
- + Hand-applied, layered finishes are artfully distressed and lacquered for an elegant, timeworn appearance.
- + Seat cushions are generously padded and sustained by a flexible network of durable webbing designed for comfortable, evenly dispersed support.
- + Isabella Dining Chairs can be customized with 18 fabrics and 13 finishes included in our Bria Italian Dining Chair collection.
- + Our Performance Fabrics are extremely durable and resist stains and fading but remain beautiful and soft to the touch.
- + Handcrafted furnishings made from natural materials with hand-applied finishes may vary in color, pattern, shape, and texture.
- + Natural wood may display small splits, knots, joint lines, or other organic features that add character to your piece without affecting quality or performance.
- + Keep your furniture looking its best. Visit [arhaus.com](http://arhaus.com) or speak to any Arhaus Design Consultant for care recommendations.



# ARHAUS<sup>®</sup>

your home

# JACOB

DINING COLLECTION | TABLETOP MADE IN AMERICA; SHOWN WITH IMPORTED TABLE BASES

84" Rectangle Dining Table with Walnut finish and Vertex base shown

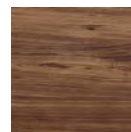


Our Jacob Dining Collection celebrates craftsmanship with sleek and modern style, bringing natural wood into contemporary dining spaces. Tabletops are made from solid oak and walnut, handcrafted in America by a community of Amish artisans. Oils, stains, and varnishes are applied to each tabletop by hand, creating high-gloss finishes that accentuate the wood's natural beauty, while iron table bases feature subtle finishes to complement the tones of the wood.

## PRODUCT DETAILS

- + Pieces with our Brown Walnut finish are made from solid walnut wood. Pieces with our White Oak finish are made from solid oak.
- + Due to their artisan-crafted nature, individual pieces may vary in color, pattern, shape, and texture, making them truly unique.
- + Hand-crafted finishes age beautifully, developing one-of-a-kind patinas as they're exposed to the environment of your home.
- + Natural wood may display small splits, knots, joint lines or other organic features, adding character to each piece without affecting its performance.
- + Keep your furniture looking its best. Visit [arhaus.com](http://arhaus.com) or speak to any Arhaus Design Consultant for care recommendations.

## TABLETOP FINISHES:



Walnut



White Oak

## SHAPES & SIZES AVAILABLE:

RECTANGLE: 72", 84", 96", 120"

OVAL: 78", 96"

ROUND: 42", 52", 60"

COMPATIBLE TABLE BASES

Connect with any Arhaus Design Consultant to learn more about designing your Jacob Dining Table.

*Please note: Base compatibility may vary by tabletop size and shape.*

84" Rectangle Dining Table with  
Walnut/Black finish shown



HARDYN

Crafted from metal.  
Available finishes: Aged Brass, Black, Antique Pewter.

96" Oval Dining Table with  
Walnut finish shown



ORIGAMI

Crafted from iron in a flat black finish.

96" Oval Dining Table with  
White Oak finish shown



CAST METAL

Crafted from cast iron and iron in a matte black finish.

96" Oval Dining Table with  
Walnut finish shown



VERTEX

Crafted from iron in a flat black finish.

COMPATIBLE TABLE BASES CONTINUED

120" Rectangle Dining Table with White Oak finish shown



APEX

Crafted from iron in a flat black finish.

84" Rectangle Dining Table with Walnut/Black finish shown



LYON

Crafted from metal.  
Available finishes: Black, Aged Brass, Antique Pewter.

52" Round Dining Table with Walnut finish shown



TRIESTE

Crafted from engineered hardwood in a flat black finish.

52" Round Dining Table with White Oak/Brass finish shown



WADE

Crafted from solid cast iron.  
Available finishes: Brass, Black.

COMPATIBLE TABLE BASES CONTINUED

52" Round Dining Table with  
Walnut/Antique Pewter finish shown



TULIP

Crafted from metal.  
Available finishes: Black, Antique Pewter.

52" Round Dining Table with  
Walnut finish shown



CLEO

Crafted from iron in a flat black finish.

52" Round Dining Table with  
Walnut finish shown



CAROL

Crafted from sungkai wood, brass, and powder-coated metal in a Rami Brown finish.

# ARHAUS®

your home

# JAGGER

DINING CHAIR COLLECTION | MADE IN INDONESIA

shown in Dark Mahogany/  
Crypton® Downy Ebony



## HANDCRAFTED BY INDONESIAN ARTISANS

Our sleek Jagger Dining Chair Collection complements solid mahogany with metal finished in Antique Brass or Oil Rubbed Bronze.

Hand-stained wood contrasts the metal's warm tones, creating an elevated, modern aesthetic, and a hand-sewn upholstery in stunning Performance Fabric stands up to every day.



### NEED HELP?

Visit a store, call **866.427.4287**, or **live chat** with our Design Team to learn more.

shown in Dark Mahogany/  
Cary Linen



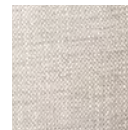
## PRODUCT DETAILS

- + Our sustainably certified Crypton® Downy Home Performance Fabrics are easy to clean, soft, and durable—engineered with stain-, odor-, and moisture-resistant technology in every fiber.
- + Our Crypton® Downy Home Performance Fabrics and Cary Performance Fabrics are extremely durable and resist stains and fading while remaining beautiful and soft to the touch.
- + Hand-applied finish is sealed with clear lacquer for added protection and subtle sheen.
- + Armchair arm height measures 26.5" h; seat height measures 19" h.
- + Counter Stool arm height measures 33" h; seat height measures 24.75" h.
- + Barstool arm height measures 39.5" h; seat height measures 31" h.
- + Bench arm height measures 26.5" h; seat height measures 19" h.
- + Keep your furniture looking its best. Visit [arhaus.com](https://arhaus.com) or speak to any Arhaus Design Consultant for care recommendations.

## NEED HELP?

Visit a store, call **866.427.4287**, or **live chat** with our Design Team to learn more.

## PERFORMANCE FABRICS:



Cary  
Linen



Crypton®  
Downy  
Snow

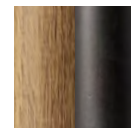


Crypton®  
Downy  
Ebony

## FINISHES:



Dark  
Mahogany  
with Antique  
Brass



Natural with  
Oil Rubbed  
Bronze

shown in Natural/  
Downy Snow



#### ARMCHAIR

22" w x 21.5" d x 29.5" h

#### DARK MAHOGANY WITH ANTIQUE BRASS FINISH

Cary Linen	30JAGARMCCL2
Downy Snow	30JAGDWSNARM
Downy Ebony	30JAGDWEBARM

#### NATURAL WOOD WITH OIL RUBBED BRONZE FINISH

Downy Snow	30JAGDSNATSD
------------	--------------

shown in Dark Mahogany/  
Downy Ebony



#### COUNTER STOOL

22" w x 21.25" d x 35.5" h

#### DARK MAHOGANY WITH ANTIQUE BRASS FINISH

Cary Linen	30JAGCNSTCL2
Downy Snow	30JAGDWSNCTS
Downy Ebony	30JAGDWEBCTS

#### NATURAL WOOD WITH ANTIQUE BRASS FINISH

Downy Snow	30JAGDSNATCS
------------	--------------



#### BARSTOOL

22" w x 21.25" d x 41.5" h

#### DARK MAHOGANY WITH ANTIQUE BRASS FINISH

Cary Linen	30JAGBRSTCL2
Downy Snow	30JAGDWSNBRS
Downy Ebony	30JAGDWEBBRS

#### NATURAL WOOD WITH OIL RUBBED BRONZE FINISH

Downy Snow	30JAGDSNATBS
------------	--------------

# ARHAUS®

your home

# JAGGER

DINING CHAIR COLLECTION | MADE IN INDONESIA

shown in Dark Mahogany/  
Cary Linen



## BENCH

61.5" w x 22.5" d x 29.5" h; seats up to 3

### DARK MAHOGANY WITH ANTIQUE BRASS FINISH

Cary Linen            30JAGCLNPBCH  
Downy Snow        30JAGDWSNBNC  
Downy Ebony        30JAGDWEBBNC

### NATURAL WOOD WITH OIL RUBBED BRONZE FINISH

Downy Snow        30JAGDSNATBH



## DINING PARTS SKUS

CATEGORY	SKU	DESCRIPTION	STATUS	COLLECTION	ROUTE
DINING	91JAGSPDSBK	JAGGER CHR SEAT PADS AND BACKS 1 PAD&BACK, LKEY, BOLTS, SCRWS	A	PT-JAGGER	
DINING	91JGRSBBOLTS	JAGGER DINING SEAT BACK BOLTS SEAT BACK BOLTS	A	PT-JAGGER	PART

DINING TABLE

48"– 96" w X 48" d X 30" h  
30JAMIECAOK  
seats up to 4-8



A SIMPLE, CLASSIC DESIGN

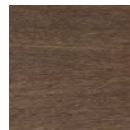
Simple, inviting, and adaptable, our Jamie Dining Table features a classic design perfect for any small space or kitchen. With gentle curves, unique wood graining, and beautiful dovetail joinery connecting the table legs, Jamie celebrates artisan craftsmanship with a warm, rustic feel.

Built by a family of artisans using hand-cut solid Romanian oak with oak veneers, every Jamie piece is uniquely one of a kind.

PRODUCT DETAILS

- + Craftsman-built from solid Romanian oak—sustainably harvested by our artisans' family—cut from locally grown trees.
- + Each table involves an extensive four-step hand-finishing process that takes two days to complete.
- + Finish may change over time. Natural wood may display small splits, knots, joint lines, or other organic features, adding unique character to each piece.
- + 48" Table seats up to 4 and can extend up to 96" that seats up to 8.
- + Keep your furniture looking its best. Visit [arhaus.com](http://arhaus.com) or speak to any Arhaus Design Consultant for care recommendations.

FINISH:



Castan Oak

NEED HELP?

Visit a store, call **866.427.4287**, or **live chat** with our Design Team to learn more.

# ARHAUS®

your home

# JORDAN

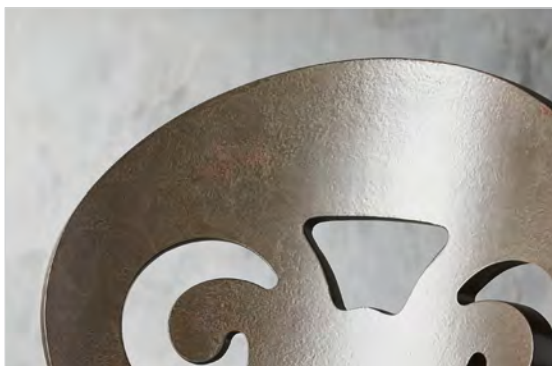
DINING CHAIR COLLECTION | MADE IN ITALY

shown in  
Grigio



## BUILT IN THE ITALIAN COUNTRYSIDE

Our Jordan Dining Collection is handcrafted in a family-run workshop, nestled among acres of vineyards in full view of the Eastern Alps. These signature chairs feature ornately curved backs, meticulously carved legs, and scrolled detailing, with multilayered finishes and small finial accents complementing the artisan-sculpted woodwork. Every Jordan Chair takes up to three weeks to complete, due to the labor-intensive process necessary to create such a distinctive silhouette.



### NEED HELP?

Visit a store, call **866.427.4287**, or **live chat** with our Design Team to learn more.

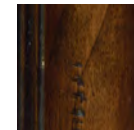
shown in  
Midnight



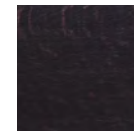
## PRODUCT DETAILS

- + Customize dining chair seats to match your space with any of our stunning dining fabrics.
- + Chair frames are craftsman-built from solid beech wood and hand-selected beech-veneer panels, creating a durable base for each unique finish.
- + Chair frames are doubly reinforced with mortise-and-tenon joinery and corner blocks to guarantee years of structural reliability.
- + Subtly curved, steam-bent chair backs are accented with scrolling hand-sculpted accents.
- + Finishes are hand-applied by Italian artisans, who combine layers of rich stain with hand-rubbed distressing to achieve a gently aged appearance.
- + Finished surfaces are coated with lacquer for added protection and subtle sheen.
- + Seats are fully padded and supported by a flexible network of durable rubber webbing for resilient, evenly dispersed comfort.
- + Jordan Dining Chairs can be customized with 13 finishes included in our Bria Italian Dining Chair Collection.
- + Seats are attached by heavy-duty screws, which allow for easy removal for cleaning or reupholstering.
- + Counter and barstools feature Italian-made swivel mechanisms, which allow for easy movement.
- + Counter and barstools feature Italian-made swivel mechanisms, which allow for easy movement.
- + Counter stool seats measure 25" H
- + Barstool seats measure 30" H
- + Keep your furniture looking its best. Visit [arhaus.com](http://arhaus.com) or speak to any Arhaus Design Consultant for care recommendations.

## FINISHES:



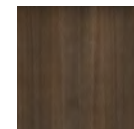
Noceto



Midnight



Grigio



Porfido

## CRAFT A CUSTOM LOOK

This collection is available in customizable **Finishes**.  
Visit a store, call **866.427.4287**, or **live chat** with our  
Design Team to learn more.

shown in  
Grigio



## SIDE CHAIR

23" w x 26" d x 39" h; seat depth 21"

Noceto	30JORDSDNOC
Midnight	30JORDSDMD
Grigio	30JORBELLDS
Porfido	30JORDSDPRF

shown in  
Midnight



## ARMCHAIR

25" w x 26" d x 39" h

Noceto	30JORDARMNOC
Midnight	30JORDARMMD
Grigio	30JORBELLDA
Porfido	30JORDARMPRF



## SWIVEL BARSTOOL

23" w x 26" d x 48" h; 30" seat height

Midnight	30JORBBSMDNT
Grigio	M4HCBHS



SWIVEL COUNTER STOOL

23" w x 26" d x 43" h; 25" seat height

Midnight  
Grigio

30JORDCSMDNT  
M4HCBS



BACKLESS SWIVEL  
BARSTOOL

23.5" diameter x 30" h

Midnight

M4HC9BD

IMAGE NOT  
AVAILABLE

BACKLESS SWIVEL  
COUNTER STOOL

23" diameter x 25" h

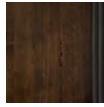
Midnight

M4HC9CD

AVAILABLE BY SPECIAL ORDER

## ARMCHAIR

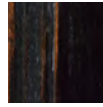
☐ 60" w x 44" d x 31" h



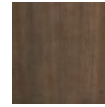
Noceto



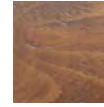
Cantina Bassano



Rubbed Black



Porfido



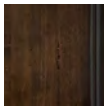
Cinder Farmhouse



Antique Ivory

## SIDE CHAIR

☐ 23" w x 26" d x 39" h



Noceto



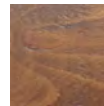
Cantina Bassano



Rubbed Black



Porfido



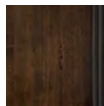
Cinder Farmhouse



Antique Ivory

## SWIVEL BARSTOOL

☐ 60" w x 44" d x 31" h



Noceto



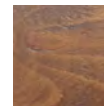
Cantina Bassano



Rubbed Black



Porfido



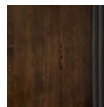
Cinder Farmhouse



Antique Ivory

## SWIVEL COUNTERSTOOL

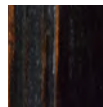
☐ 23" w x 26" d x 43" h



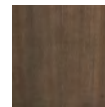
Noceto



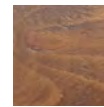
Cantina Bassano



Rubbed Black



Porfido



Cinder Farmhouse



Antique Ivory

*\*Artisan Finish: Due to the labor-intensive process of creating these finishes, there will be an increase in price.*

Before we can place your order, we need to make sure that you agree with the following statements.

Please initial each box below to indicate your agreement.

- + I have selected the above specifications for my order. Images are shown to indicate general color tones but should not be used for color matching.
- + I understand that if I cancel this order at any time I forfeit my delivery fee and 50% of the item purchase price.
- + I understand that my selections are special order and will take up to 16 weeks for production. Please allow additional time for delivery.
- + I've measured my doorways, stairways and entryways to make sure my furniture can be placed in the appropriate room.

CUSTOMER NAME: \_\_\_\_\_

Please sign below to acknowledge your understanding and agreement.

CUSTOMER SIGNATURE: \_\_\_\_\_

ORDER NO.: \_\_\_\_\_ DATE: \_\_\_\_\_

design consultants: please email this form to [specialorder@arhaus.com](mailto:specialorder@arhaus.com)



## DINING PARTS SKUS

CATEGORY	SKU	DESCRIPTION	STATUS	COLLECTION	ROUTE
DINING	91JORDARMSP	JORDAN ARM SEAT PAD REPLACEMENT SEAT PAD	A	PT-JORDAN	
DINING	91JORDBCSP	JORDAN BAR/COUNTER SEAT PAD REPLACEMENT SEAT PAD	A	PT-JORDAN	
DINING	91307JORDHW	JORDAN BARSTOOL ASSEMBLY HDW ALL FINISHES	A	PT-JORDAN	PART
DINING	91307SWIVEL	JORDAN BARSTOOL SWIVEL PLATE MECHANISM TO SWIVEL	A	PT-JORDAN	PART
DINING	91JORDSDSP	JORDAN SIDE SEAT PAD REPLACEMENT SEAT PAD	A	PT-JORDAN	



## DINING TABLE

54" diameter x 31" h  
60" diameter x 31" h

30JLA54CSTKT  
30JLA60CSTKT

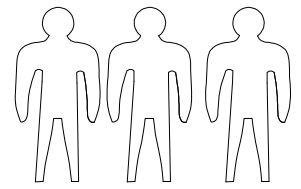
## MODERN AND GLAMOROUS

our Julia Dining Collection combines creamy, natural marble with warm, metallic tones. Ujung Pandang marble mined from mountains containing limestone, are sculpted and finished by Indonesian artisans to showcase elegant, naturally varying patterns, veining, and colors that make each surface unique. Dramatic flared table bases made from low-carbon mild steel are hand-finished in a warm brass tone that is aged and protected with polyurethane, resulting in an aesthetic that feels as elevated as it does intimate.





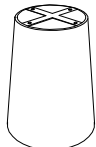
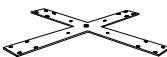

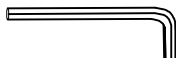
## PRODUCT DETAILS

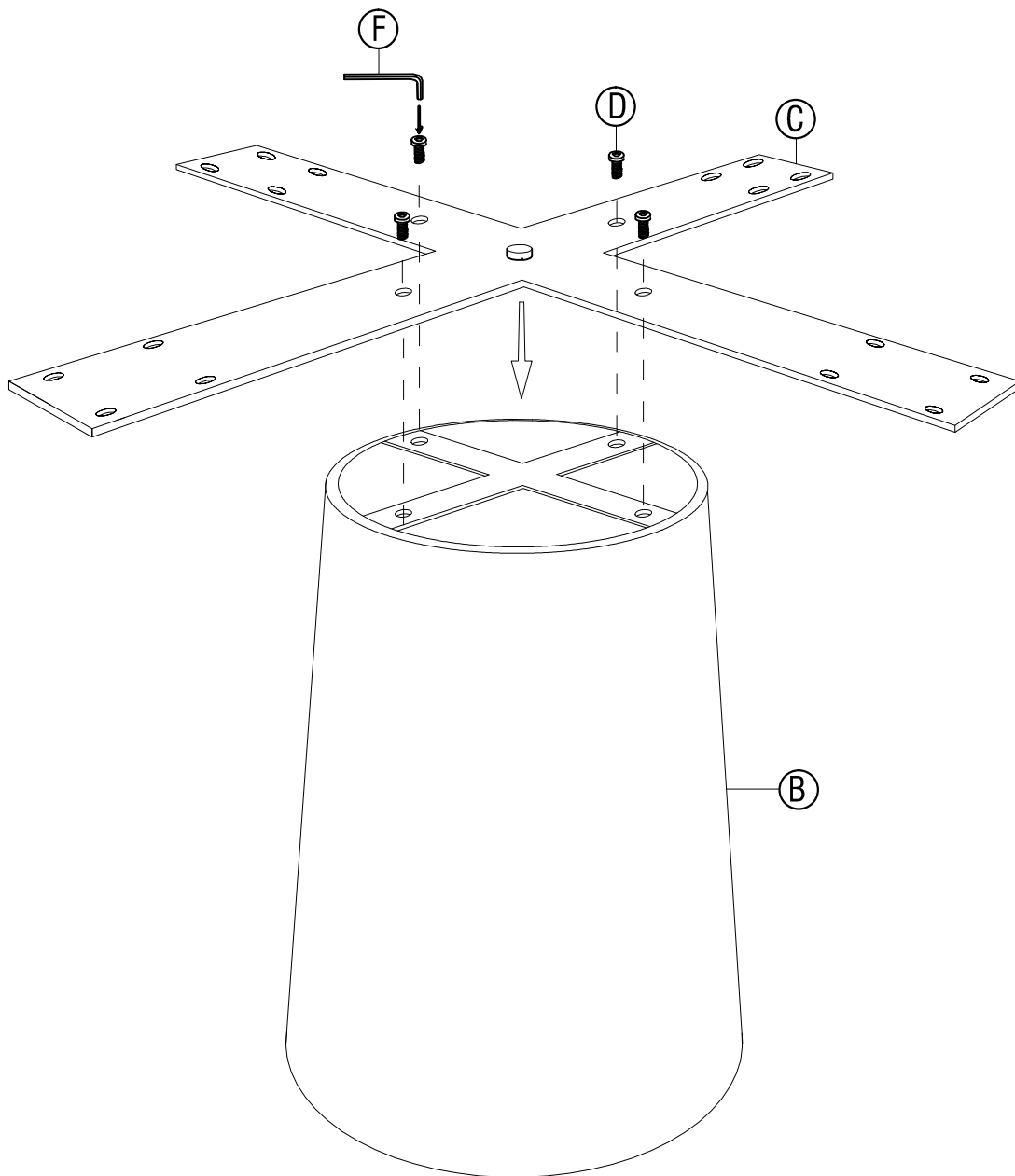
- + Julia Dining Tables are crafted by artisans from natural natural white marble, complemented by mild steel bases.
- + Marble mined from mountains containing limestone and other natural minerals feature unique patterns, swirling, veining, and variations in color.
- + Natural variations in our marble make each table truly unique, adding character without affecting its quality or performance.
- + Tabletops are reinforced with engineered hardwood to prevent bowing or cracking, then finished with a coating of solvent-based stain protector, making Julia's marble surfaces ideal for use in dining spaces.
- + Mild steel table bases are polished and finished by hand to create a warm Aged Brass patina. A final top-coating of polyurethane provides a layer of added protection.
- + Keep your furniture looking its best. Visit [arhaus.com](http://arhaus.com) or speak to any Arhaus Design Consultant for care recommendations.



## Julia Dining Table Assembly Instruction

### Parts & Hardwares :

- A. Table Top    B. Stand    C. Mounting plate    D. Bolt    : 20 pcs    
-             E. Washer    : 16 pcs    
- F. Allen key : 1 Pc    



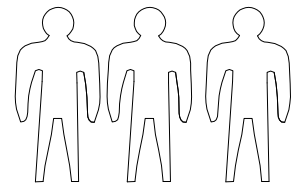
### Step 1

Put the stand / base on a levelled surface .  
Attach the Mounting plate to the stand as illustrated,  
fasten using bolts with Allen key provided

# ARHAUS<sup>®</sup>

your home

## Julia Dining Table Assembly Instruction

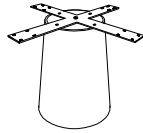


### Parts & Hardwares :

A. Table Top



B. Stand



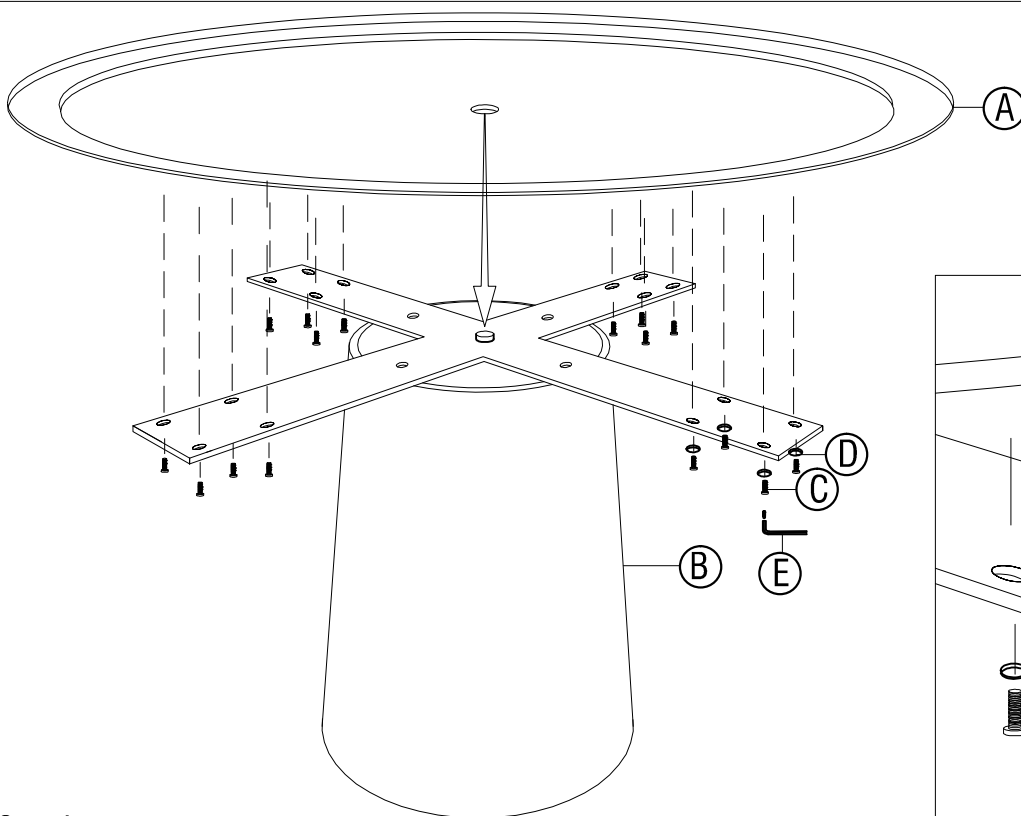
C. Bolt : 16 pcs



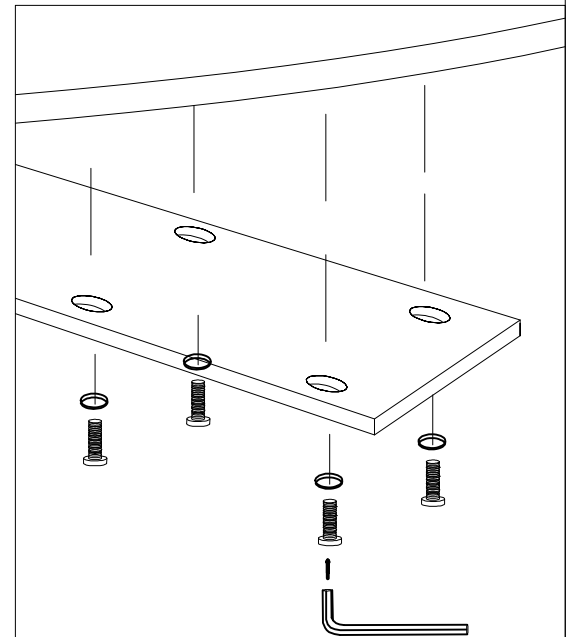
D. Washer : 16 pcs



E. Allen key : 1 Pc



### Detail

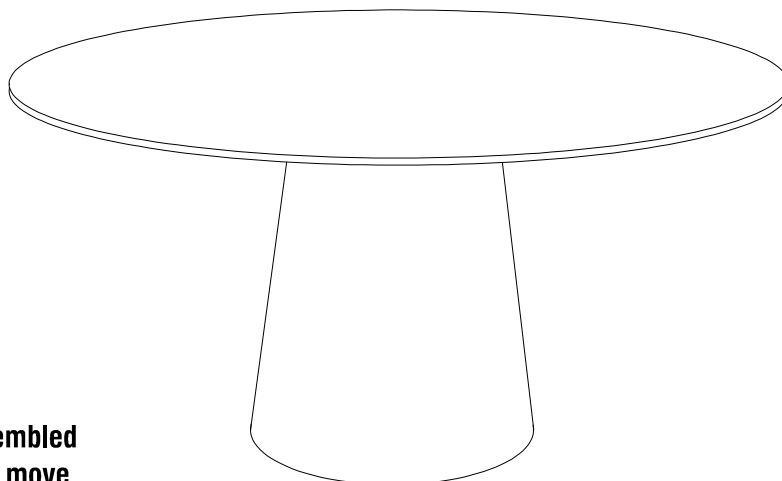


### Step 1.

Attach the stone top to the stand as illustrated,  
By inserting the center pin. Make sure the  
elongated holes on the metal cross align with the holes  
on top. Insert the bolts and secure with Allen key provided.

### Step 2.

The table is ready to use.  
The table is heavy once assembled  
and required three people to move.



## DINING PARTS SKUS

CATEGORY	SKU	DESCRIPTION	STATUS	COLLECTION	ROUTE
DINING	91JLATBAHRDW	JULIA TABLE ASSEMBLY HARDWARE ASSEMBLY HARDWARE	A	PT-JULIA	PART

**36" LAVA STONE  
BAR TABLE**

36" diameter x 42" h

Taupe Marble	30KAMLS36BKT
Brass on Aluminum	30BRSAL36KMBR
Copper	30COP36KMLBR
Chocolate Copper	30CHC36KMLBR
Zinc Alloy	30ZNC36KMLBR

**36" LAVA STONE COUNTER  
TABLE**

36" diameter x 36" h

Taupe Marble	30KAMLS36BKT
Brass on Aluminum	30BRSAL36KMBR
Copper	30COP36KMLBR
Chocolate Copper	30CHC36KMLBR
Zinc Alloy	30ZNC36KMLBR

**38" LAVA STONE  
BAR TABLE**

38" diameter x 42" h

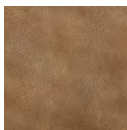
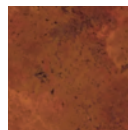
Brass on Aluminum	30BRSAL38KMCT
Copper	30COP38KMLCT
Chocolate Copper	30CHC38KMLCT
Zinc Alloy	30ZNC38KMLCT

**38" LAVA STONE COUNTER  
TABLE**

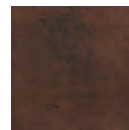
38" diameter x 36" h

Brass on Aluminum	30BRSAL38KMCT
Copper	30COP38KMLCT
Chocolate Copper	30CHC38KMLCT
Zinc Alloy	30ZNC38KMLCT

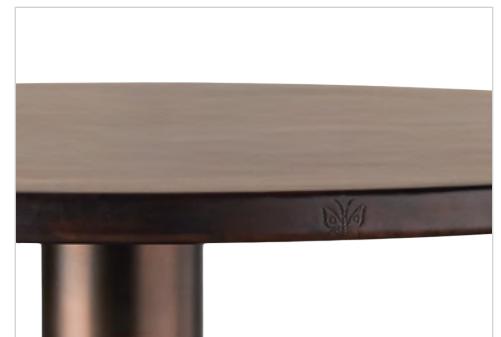
## TABLETOPS:

Brass on  
AluminumTaupe  
Marble

Copper

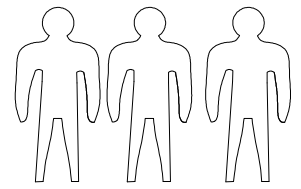
Chocolate  
CopperZinc  
Alloy

Crafted by Indonesian artisans, using natural lava stone—mined from the only active volcano on Java Island—our Kamilah Dining Table Collection is stunning with a unique, modern aesthetic. Table bases showcase the naturally varying shapes, color, and texture of lava stone complemented by burnished brass. Tabletops are expertly handcrafted from natural marble, mined from Eastern Java, or beautifully hand-finished recycled metals from Mexico.



## PRODUCT DETAILS

- + Kamilah Dining Table bases are handcrafted by Indonesian artisans from natural lava stone—mined from the active volcano on Java island—complemented by burnished, brass-plated metal.
- + Marble tabletops from Eastern Java feature stunning varying colors and patterns due to veining and other natural features inherent to the stone.
- + Stone pieces are coated in a solvent-based stain protector—ideal for kitchen and dining room surfaces.
- + Metal dining tabletops are handmade by Mexican metal artisans from hand-finished recycled copper, zinc, and aluminum.
- + Copper and Chocolate Copper tabletops are handcrafted from 100 percent recycled copper. Zinc Alloy tabletops are composed of reclaimed tin, aluminum and zinc. And, Brass on Aluminum tabletops are made from recycled aluminum hand-finished with a warm brass tone.
- + Due to their artisan-crafted design made from natural materials, individual pieces may vary in color, pattern, shape, and texture, making them truly unique.
- + Natural stone may display natural mineral deposits, swirling, joint lines, veining, or other features that will add character to your piece without affecting its quality or performance.
- + Keep your furniture looking its best. Visit [arhaus.com](http://arhaus.com) or speak to any Arhaus Design Consultant for care recommendations.



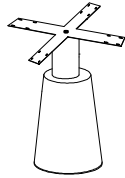
## Kamilah Lava Stone Assembly Instruction

### Parts & Hardwares :

A. Table Top



B. Stand



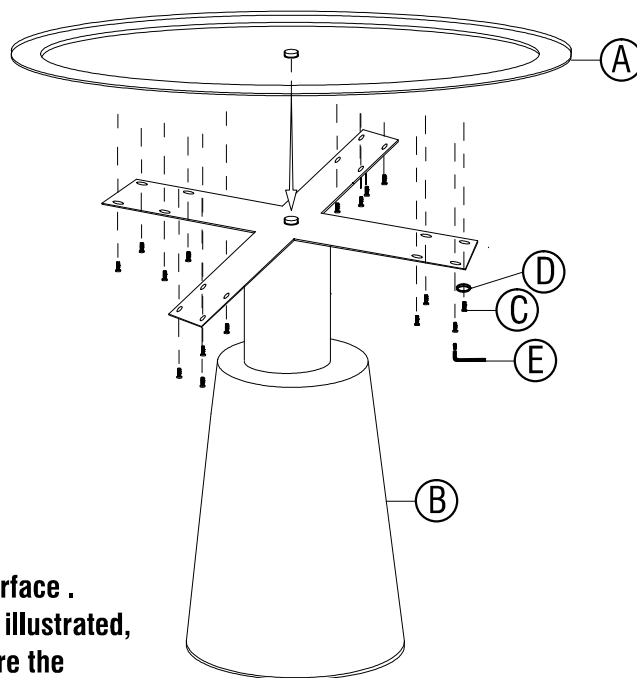
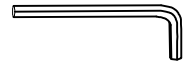
C. Bolt :16 pcs



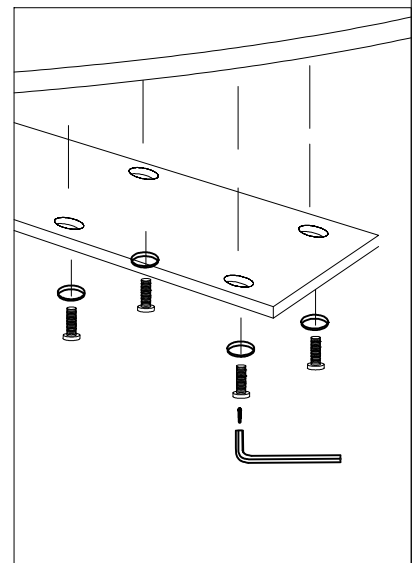
D. Washer : 16 pcs



E. Allen key

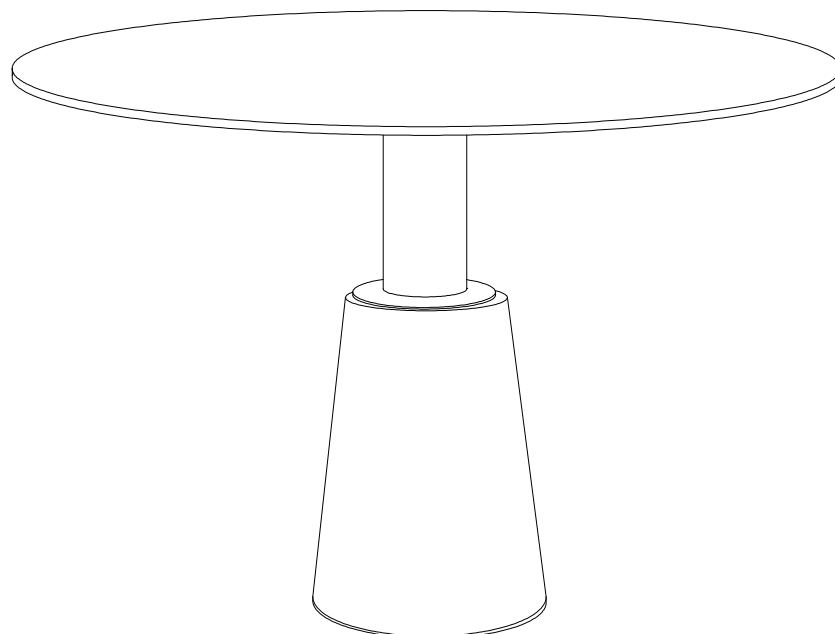


Detail



### Step 1

Put the stand / base on a levelled surface .  
Attach the stone top to the stand as illustrated,  
By inserting the center pin. Make sure the  
elongated holes on the metal cross align with the holes  
on top. Insert the bolts and secure with Allen key provided.



### Step 2.

The table is ready to use.

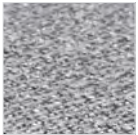
# ARHAUS®

your home

## kelly



**Fabric:**



Just in Time  
Obsidian

**Finish:**



Solid Black

**Dining Chair**

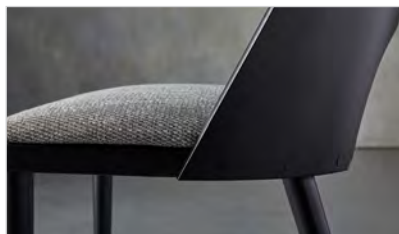
23.25" w x 17.75" d x 34.25" h  
30KELLYBLCHR

## handcrafted by Italian artisans

our modern Kelly dining chairs feature classic Italian design. Frames built from solid beech wood are bent and moulded, featuring curved, peek-a-boo, cut-out backs that cradle you in exceptional comfort. Upholstered seats are available in any of our dining fabrics to match your existing décor. And, round, tapered legs are smoothed and finished by hand in a versatile Solid Black stain.

### product details

- ▶ Built by Italian furniture artisans, Kelly chair frames are constructed from solid beech wood.
- ▶ Chair frames are bent and moulded, featuring curved, peek-a-boo, cut-out backs that cradle your body in exceptional comfort.
- ▶ Subtly tapered, rounded chair legs are smoothed and stained by hand with a rich, Solid Black finish.
- ▶ Fully padded drop-in seats may be fitted in your choice of dining fabric to complement any aesthetic.
- ▶ Seats are supported by a flexible network of durable rubber webbing for resilient, evenly dispersed comfort.
- ▶ Seats are attached by heavy-duty screws, which allow for easy removal for cleaning or reupholstering.
- ▶ Keep your furniture looking its best. Visit [arhaus.com](http://arhaus.com) or speak to any Arhaus Design Consultant for care recommendations.





shown in Slate



## WELL-CRAFTED WITH CHARACTER

Every plank in our classic Kensington Dining Collection tells a story of expert craftsmanship. Artisans build each piece by hand from solid, sustainably sourced oak and Finnish pine wood. Distinctive finishes are layered with stain and distressed detailing to accentuate the wood's naturally unique features, resulting in a timeless antiqued aesthetic.

## PRODUCT DETAILS

- + Dining Tables and Benches are handcrafted with durable, solid oak and oak veneer tops complemented by solid Finnish pine bases.
- + Buffets made from solid Finnish pine are complemented by hand-sculpted bluestone or white marble tops.
- + Rectangular Dining Table includes two breadboard extensions to accommodate additional seating.
- + Extensions are not self storing.
- + Buffet interior features shelving for convenient storage.
- + Buffet drawers and cabinet doors feature antique brass pulls.
- + Keep your furniture looking its best. Visit [arhaus.com](http://arhaus.com) or speak to any Arhaus Design Consultant for care recommendations.

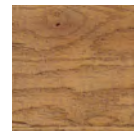
## NEED HELP?

Visit a store, call **866.427.4287**, or **live chat** with our Design Team to learn more.

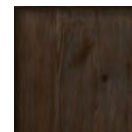
## FINISHES:



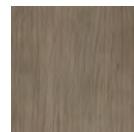
Ebony



Honey

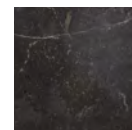


Mocha

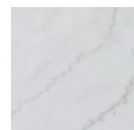


Slate

## BUFFET TOPS:



Bluestone



White Marble

shown in  
Mocha



**60" EXTENSION DINING TABLE**

60" w x 36" d x 30.75" h; extends to 90" w  
(35.75" trestle between legs)

Honey	30KENE60HNKT
Ebony	30KENE60EBKT
Mocha	30KEN60ETMKT
Slate	30KEN60ETSKT

*Includes two 15" extensions.*

*Seats up to 8.*

**72" EXTENSION DINING TABLE**

72" w x 39" d x 30.75" h; extends to 102" w  
(35.75" trestle between legs)

Honey	30KENE72HNKT
Ebony	30KEN72EBEKT
Mocha	30KEN72ETMKT
Slate	30KEN72ETSKT

*Includes two 15" extensions.*

*Seats up to 10.*

**86" EXTENSION DINING TABLE**

86" w x 39" d x 30.75" h; extends to 120" w  
(46" trestle between legs)

Honey	30KENE86HNKT
Ebony	30KEN86EBEKT
Mocha	30KEN86ETMKT
Slate	30KEN86ETSKT

*Includes two 17" extensions.*

*Seats up to 12.*

**96" EXTENSION DINING TABLE**

96" w x 39" d x 30.75" h; extends to 127.5" w  
(52.7" trestle between legs)

Mocha	30KEN96ETMKT
Slate	30KEN96ETSKT
Honey	30KEN96ETHKT
Ebony	30KEN96ETEKT

*Includes two 17" extensions.*

*Seats up to 14.*

shown in  
Earl Grey



**118" X 44" EXTENSION  
DINING TABLE**

118" w x 44" d x 30.75" h, extends to 152" w  
(75" trestle between legs)

Honey	30KN1844HNKT
Ebony	30KN1844EBKT
Mocha	30KEN18ETMKT
Slate	30KEN18ETSKT

*Includes two 17" extensions.*

*Seats up to 16.*

shown in  
Mocha



**48" ROUND DINING TABLE**

48" diameter x 30" h

Honey	30KEN48HNKT
Ebony	30KENR48EBKT
Mocha	30KEN48RTMKT
Slate	30KEN48RTSKT

*Seats up to 4.*

**54" ROUND DINING TABLE**

54" diameter x 30" h

Honey	30KEN54HNKT
Ebony	30KENR54EBKT
Mocha	30KEN54RTMKT
Slate	30KEN54RTSKT

*Seats up to 6.*

**60" ROUND DINING TABLE**

60" diameter x 30" h

Honey	30KEN60HNKT
Ebony	30KENR60EBKT
Mocha	30KEN60RTMKT
Slate	30KEN60RTSKT

*Seats up to 8.*

**72" ROUND DINING TABLE**

72" diameter x 30" h

Honey	30KNR72HNKT
Ebony	30KNR72EBKT
Mocha	30KEN72RTMKT
Slate	30KEN72RTSKT

*Seats up to 10.*



**72" BACKLESS BENCH**

72" w x 15" d x 18" h

Honey	30KEN72HNBBN
Ebony	30KEN72EBBBN
Mocha	30KEN72MCBH
Slate	30KEN72SLBH

*Seats up to 3.*

**86" BACKLESS BENCH**

86" w x 15" d x 18" h

Honey	30KEN86HNBBN
Ebony	30KEN86EBBBN
Mocha	30KEN86MCBH
Slate	30KEN86SLBH

*Seats up to 4.*

# ARHAUS®

your home

# KENSINGTON

DINING COLLECTION

shown in  
Ebony with Bluestone Top



## 75" BUFFET

75" w x 19" d x 35" h

Bluestone Top

Honey	30KENHNBSBF
Ebony	30KENEBBSBF2
Mocha	30KEN75BFMKT
Slate	30KEN75BFSKT

White Marble Top

Honey	30KENHNMRBF
Ebony	30KENEBMRBF2
Mocha	30KEN75MBFKT
Slate	30KEN75BFWKT

## 54.5" BUFFET






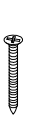


54.5" w x 19" d x 35" h

Bluestone Top

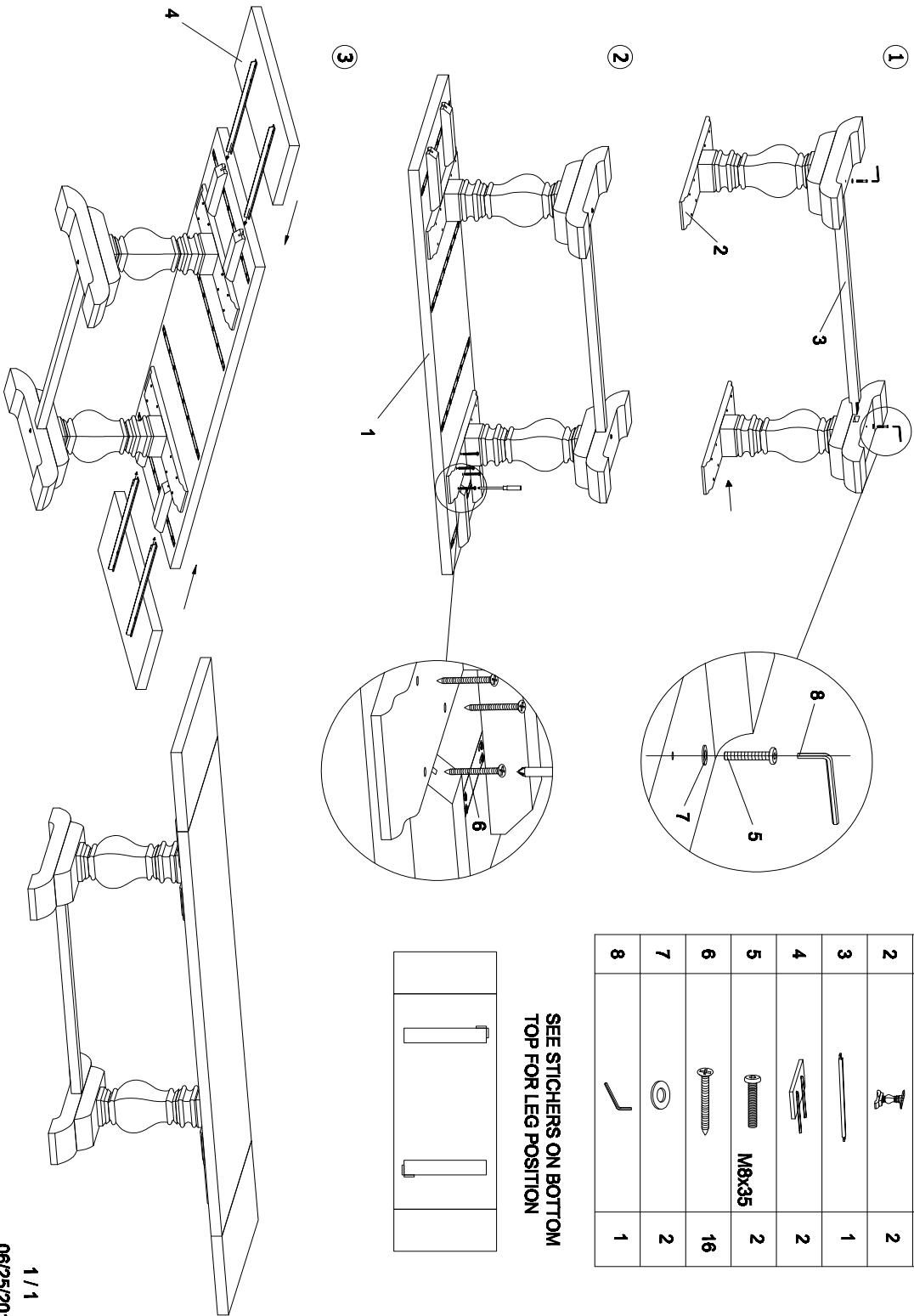
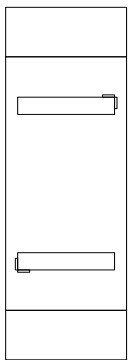
Honey	30KEN54BFHKT
Ebony	30KEN54BFEKT
Mocha	30KEN54BBMKT
Slate	30KEN54BFSKT

White Marble Top

Honey	30KEN54BWHKT
Ebony	30KEN54BWEKT
Mocha	30KEN54WBMKT
Slate	30KEN54BFWKT

1		1
2		2
3		1
4		2
5	 M6x35	2
6		16
7		2
8		1

SEE STITCHERS ON BOTTOM  
TOP FOR LEG POSITION



# KENSINGTON ROUND TABLE ASSEMBLY INSTRUCTIONS

①

1		1
2		1
3		16

1/1  
08/31/2017

# DINING PARTS SKUS

Super Category	Product ID	Description	Collection	Route
DINING	91KEN118BSTR	KENSINGTON 118 BB STRETCHER 118 BEN BROWN STRETCHER	PT-KNSNGTN	PART
DINING	91KEN118GSTR	KENSINGTON 118 EG STRETCHER 118 EARL GREY STRETCHER	PT-KNSNGTN	PART
DINING	91KEN72BBSTR	KENSINGTON 72 BB STRETCHER 72 BEN BROWN STRETCHER	PT-KNSNGTN	PART
DINING	91KEN72EGSTR	KENSINGTON 72 EG STRETCHER 72 EARL GREY STRETCHER	PT-KNSNGTN	PART
DINING	91KEN86BBSTR	KENSINGTON 86 BB STRETCHER 86 BEN BROWN STRETCHER	PT-KNSNGTN	PART
DINING	91KEN86EGSTR	KENSINGTON 86 EG STRETCHER 86 EARL GREY STRETCHER	PT-KNSNGTN	PART
DINING	91769NAT86	KENSINGTON 86" STRETCHER NATRL	PT-KNSNGTN	PART
DINING	30KENBSBOLT	KENSINGTON BASE BOLT	PT-KNSNGTN	PART
DINING	91KENKNOB	KENSINGTON BUFFET KNOB LG	PT-KNSNGTN	PART
DINING	91KENKNOBSM	KENSINGTON BUFFET KNOB SMALL	PT-KNSNGTN	PART
DINING	91KENBFLGPUL	KENSINGTON BUFFET LARGE PULL TP MID DRAWERS/BOTTOM DOOR PUL	PT-KNSNGTN	
DINING	91KENBFSMPUL	KENSINGTON BUFFET SMALL PULL TOP LEFT/RIGHT DRAWER PULL SM	PT-KNSNGTN	
DINING	91769KENFEET	KENSINGTON STOOL PLASTIC FOOT QTY 1 FOOT	PT-KNSNGTN	PART
DINING	91769KENSHW	KENSINGTON TABLE HDWR RECT	PT-KNSNGTN	PART
DINING	91KENSrndHDW	KENSINGTON TABLE HDWR ROUND UNIVERSAL ROUND TABLE HARDWARE	PT-KNSNGTN	PART

shown in  
Copley Brown, Nomad Linen,  
and Nomad Snow



## DINING CHAIR

22.25" w x 24" d x 33" h

Crypton® Nomad Snow

Crypton® Nomad Linen

Crypton® Nomad Slate

Copley Brown

Faux Drift

Faux Charcoal

Crypton® Cushing Frost

Crypton® Cushing Storm

Crypton® Cushing Slate

30KRANMSNWSC

30KRANMLNNSC

30KRANMLTSC

30KRAFxCBRS

30KRAFXHRSC

30KRAFCDRFS

30KRAFCHRSC

30KRACSFRTSC

30KRACSSRTSC

30KRACSSLTSC

## INSPIRED BY THE RICHNESS OF ART-DECO DESIGN

our Kira Dining Chair serves the best of comfort and style. Featuring clean, modern lines and a convenient swivel base, Kira is upholstered in soft, textured Crypton® Home Performance Fabric to withstand the spills and stains of everyday living, or sumptuous faux leather for an elevated look.

### PRODUCT DETAILS

- + Our sustainably certified Crypton® Nomad Snow, Nomad Linen, Nomad Slate, Cushing Frost, Cushing Storm, and Cushing Slate Home Performance Fabrics are easy to clean, soft, and durable—engineered with stain-, odor-, and moisture-resistant technology in every fiber.
- + Seat measures 20" h.
- + Keep your furniture looking its best. Visit [arhaus.com](http://arhaus.com) or speak to any Arhaus Design Consultant for care recommendations.

### PERFORMANCE FABRICS:



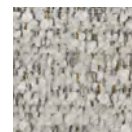
Crypton®  
Nomad Snow



Crypton®  
Nomad Linen



Crypton®  
Nomad Slate



Crypton®  
Cushing Frost



Crypton®  
Cushing Storm

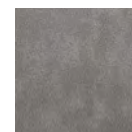


Crypton®  
Cushing Slate

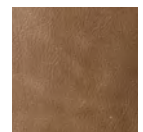
### FAUX LEATHERS:



Faux Drift



Faux Charcoal



Copley Brown



shown in  
Nomad Snow



## CRADLED IN COMFORT WITH EVERYDAY FUNCTIONALITY

Modern with comfort to match, the sculpted silhouette of our Kirsten Dining Chair features an elegant scoop seat and gently curved backrest. Pieces covered in faux leather or Crypton® Home Performance Fabric are soft yet durable enough to withstand daily use, while the minimalistic iron frame features a chic Antique Brass finish to complete the look.

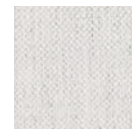
### PRODUCT DETAILS

- + Our sustainably certified Crypton® Home Performance Fabrics are easy to clean, soft, and durable—engineered with stain-, odor-, and moisture-resistant technology in every fiber.
- + Iron frame and legs are powder-coated for a durable, textured finish.
- + Dining chair seat measures 18.5" h.
- + Counter stool seat measures 27" h.
- + Barstool seat measures 30.75" h.
- + Bench seat measures 19.25" h.
- + Keep your furniture looking its best. Visit [arhaus.com](http://arhaus.com) or speak to any Arhaus Design Consultant for care recommendations.

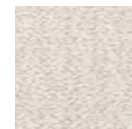
### NEED HELP?

Visit a store, call **866.427.4287**, or **live chat** with our Design Team to learn more.

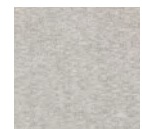
### PERFORMANCE FABRICS:



Crypton®  
Nomad Snow



Crypton®  
Jennie Linen



Crypton® Nona  
Linen



Crypton®  
Jennie Silver



Crypton®  
Jennie Latte

### FAUX LEATHER:



Carbon

### FINISH:



Antique Brass

# ARHAUS®

your home

# KIRSTEN

DINING COLLECTION

MADE IN CHINA

shown in  
Nomad Snow



## DINING CHAIR

24.75" w x 19.5" d x 32" h

Crypton® Nomad Snow	30KIRNMSNWSD
Crypton® Jennie Linen	30KIRJNLNSD
Crypton® Nona Linen	30KIRNLNSD
Crypton® Jennie Silver	30KIRJNSVSD
Crypton® Jennie Latte	30KIRJNLTSD
Carbon	30KIRCBPUSD



## BARSTOOL

19.5" w x 22.75" d x 41.5" h

Crypton® Nomad Snow	30KIRNMSNBRS
Crypton® Jennie Linen	30KIRJNLNBRS
Crypton® Nona Linen	30KIRNLNBRS
Crypton® Jennie Silver	30KIRJNSVBRS
Crypton® Jennie Latte	30KIRJNLTBRS
Carbon	30KIRCBPUBRS



## COUNTER STOOL

19.5" w x 22.75" d x 37.5" h

Crypton® Nomad Snow	30KIRNMSNCTS
Crypton® Jennie Linen	30KIRJNLNCTS
Crypton® Nona Linen	30KIRNLNCTS
Crypton® Jennie Silver	30KIRJNSVCTS
Crypton® Jennie Latte	30KIRJNLCTCS
Carbon	30KIRCBPUCTS

ARHAUS®  
your home

KIRSTEN

DINING COLLECTION

MADE IN CHINA



60" DINING BENCH

60" w x 24" d x 32" h

Cryton® Nomad Snow 30KIRNSBNCH  
Cryton® Jennie Latte 30KIRJLBNCH

# ARHAUS<sup>®</sup>

your home

# KROY

CHATHAM DINING COLLECTION

MADE IN CHINA



## MIDCENTURY DESIGN MEETS CONTEMPORARY COMFORT

Inspired by iconic midcentury styles, our Kroy Dining Collection showcases bold silhouettes made from solid oak accentuated by an artisan-distressed, hand-stained finish. Upholstered seats covered in 100% natural linen and handwoven cane backrests bring welcoming comfort to any dining space.

### PRODUCT DETAILS

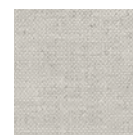
- + Finished surfaces are coated with lacquer for added protection and subtle sheen.
- + Counter Stool seat measures 27.25" h; arm measures 33.75" h.
- + Barstool seat measures 31.5" h; arm measures 37.75" h.
- + Dining Arm Chair seat measures 18.5" h; arm measures 24.5" h.
- + Dining Bench seat measures 18.5" h; arm measures 24.25" h.
- + Keep your furniture looking its best. Visit [arhaus.com](http://arhaus.com) or speak to any Arhaus Design Consultant for care recommendations.

### CRAFT A CUSTOM LOOK

This collection is available in customizable **Fabrics** and **Finishes**, including our **Crypton<sup>®</sup> Performance Fabrics**.

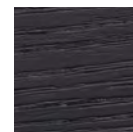
Visit a store, call **866.427.4287**, or **live chat** with our Design Team to learn more.

#### FABRIC:



Linen  
Natural

#### FINISH:



Black  
Drifted



DINING ARMCHAIR

23" w x 23.25" d x 32" h

Linen Natural/Black Drifted

30KRYLNBLKC



CANE BACK DINING ARMCHAIR

23" w x 23.25" d x 32" h

Linen Natural/Black Drifted

30KRYBLKARCH



CANE BACK BARSTOOL

23" w x 23.25" d x 42.75" h

Linen Natural/Black Drifted

30KRYCNLBS



CANE BACK COUNTER STOOL

23" w x 23.25" d x 39" h

Linen Natural/Black Drifted

30KRYCNBLOS

IMAGE NOT  
AVAILABLE

CANE BACK BENCH

62.6" w x 23.6" d x 32.1" h

Linen Natural/Black Drifted

30KRYNSBCHDB



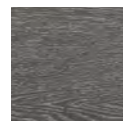
## A REFINED SILHOUETTE WITH A SUBTLE FORMALITY

Our Leighton Dining Table is superbly handcrafted by Indonesian furniture artisans. This transitional pedestal table is finished and subtly distressed by hand, allowing the texture and grain of the underlying wood to show through the warm stain. Tabletops feature an exclusive rack-and-pinion extension system, which allow the table's surface to generously expand and allow for additional seating.

### PRODUCT DETAILS

- + Handcrafted by Indonesian artisans from oak veneers adhered to an engineered hardwood core.
- + Dramatically expand the tabletop's surface and allow for additional seating with an exclusive rack-and-pinion gear mechanism and included extension leaves.
- + Surfaces are hand-sanded and coated with layers of stain and rich glaze to emphasize the wood's natural beauty. Finishes are sealed with a lacquer for added protection.
- + Due to the nature of materials used and hand-applied finishes, color, pattern, and texture may vary, making each piece unique.
- + Wood furnishings may also display small splits, knots, joint lines, or other natural features. These markings are normal and will not affect the performance of your piece.
- + Due to changes in temperature or humidity, wood furnishings may display slight movement from season to season.
- + Keep your furniture looking its best. Visit [arhaus.com](http://arhaus.com) or speak to any Arhaus Design Consultant for care recommendations.

### FINISHES:



Northman  
Cinder



Sable



Oak



DINING TABLE

62" diameter x 30.5" h; extends to 97.75" w

Northman Cinder 30LEICIN62KT  
Sable 30LESBLLGKT3  
Oak 30LEOAKSMKT2

Includes two rack-and-pinion extension leaves.  
Seats up to 12.

SMALL DINING TABLE

54" round x 30" h; extends to 85" w

Northman Cinder 30LEICIN54KT  
Sable 30LESBLSMKT2  
Oak 30LEOAKLGKT2

Includes two rack-and-pinion extension leaves.  
Seats up to 10.



30LEIWLKGT  
30LEIBRNLGKT  
30LEIBLKLKGT

30LEIWSMKT  
30LEIBRNSMKT  
30LEIBLKSMKT

# Assembling Instruction Leighton Dining Table (719.322)

## Hardware Kit (799.021)

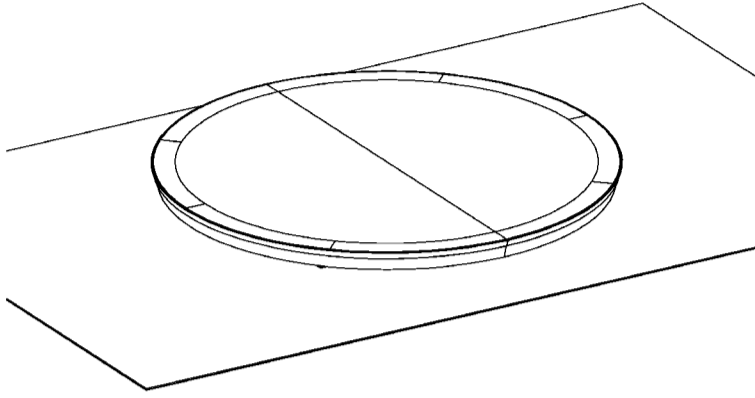
HARDWARE KIT: 91LEIGHTONHW

A =  = 4 pcs

B =  = 4 pcs

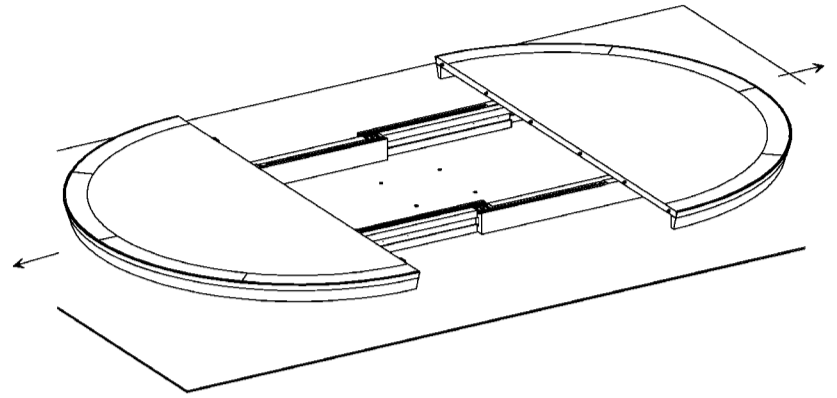
C =  = 1 pc

1



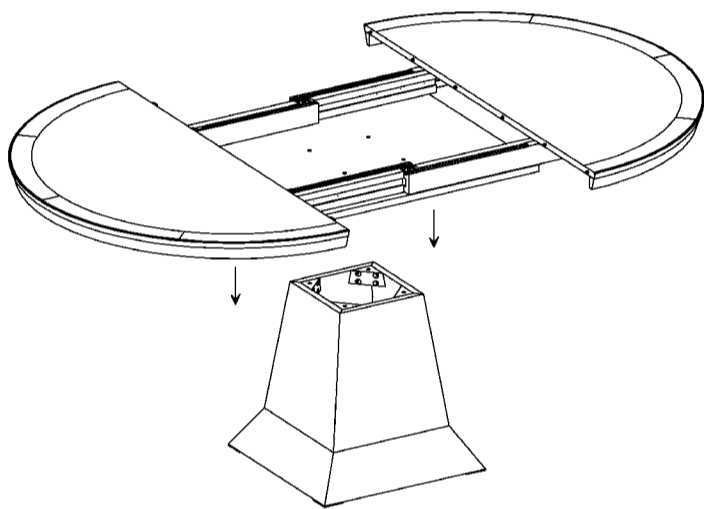
Lay the top table on a flat surface, use the packing material for protection.

2

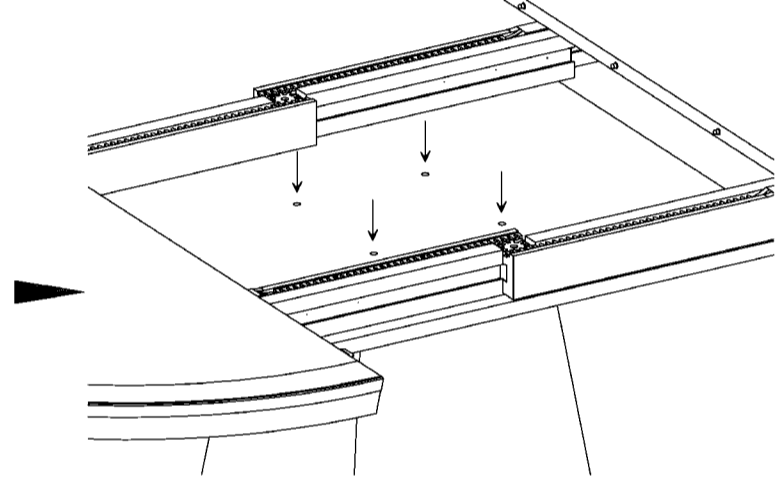


Pull out the table until fully open.

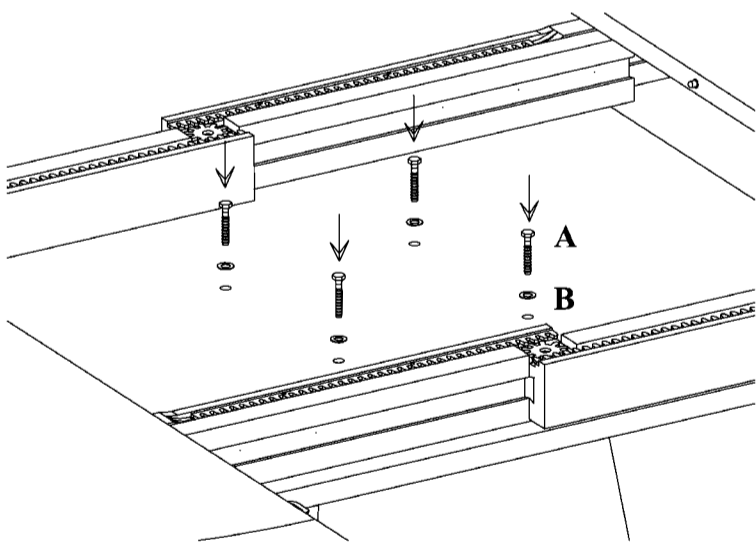
3



Put the top table on top of leg very carefully by following the hole on the top base and screw hole on the leg.

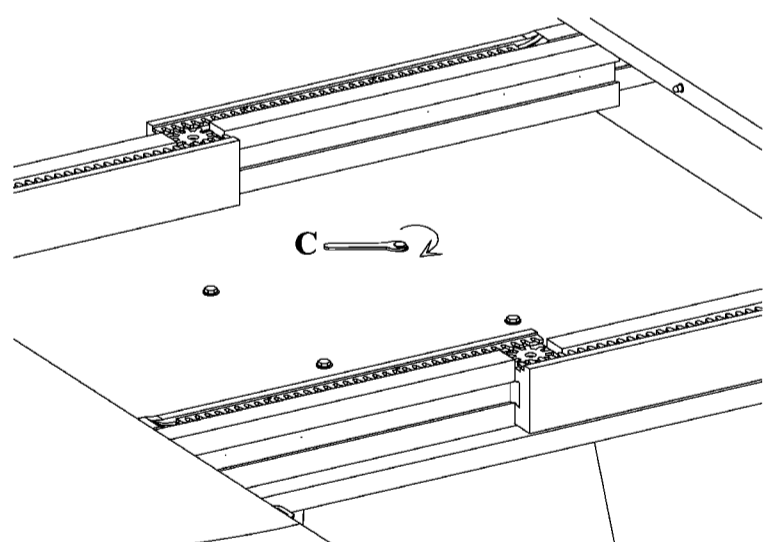


4



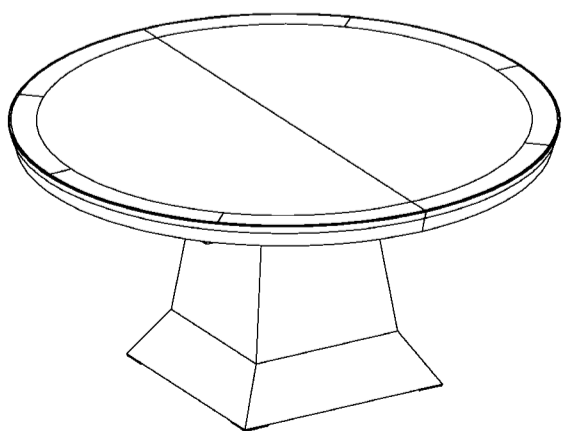
Insert bolt and ring.

5



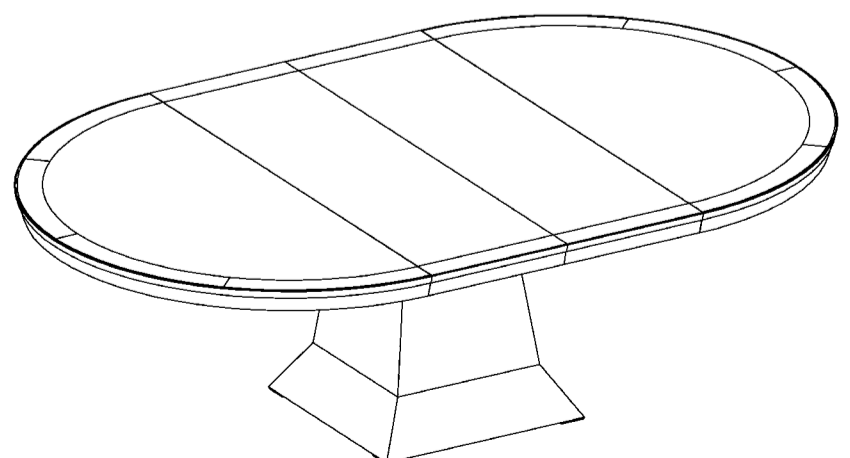
Tight firmly by turning clockwise using 12 mm key.

6



Without Leafs.

7



Extended with Leafs.

# DINING PARTS SKUS

Super Category	Product ID	Description	Collection	Route
DINING	91LEIGHTONHDW	LEIGHTON ASSEMBLY HARDWARE TABLE HARDWARE	PT-LEIGHTN	PART
DINING	30LEIGHLFLTH	LEIGHTON LEAF LATCH	PT-LEIGHTN	PART

# ARHAUS®

your home

## luca



### Round Dining Table

39" diameter x 31" h

Seats up to 2

#### Bluestone

Barnwood Brown  
Rustic Black  
Rustic White  
Rustic Grey  
Earl Black

30LUCA39BRKT  
30LC39BLBSKT  
30LCA39WBSKT  
30LC39GRBSKT  
30LC39EBBSKT

#### White Marble

Barnwood Brown  
Rustic Black  
Rustic White  
Rustic Grey  
Earl Black

30LUCA39BRKT  
30LC39BLBSKT  
30LCA39WBSKT  
30LC39GRBSKT  
30LC39EBBSKT

48" diameter x 31" h

Seats up to 4

#### Bluestone

Barnwood Brown  
Rustic Black  
Rustic White  
Rustic Grey  
Earl Black

30LUCA48BRKT  
30LC48BLBSKT  
30LCA48WBSKT  
30LC48GRBSKT  
30LC48EBBSKT

#### White Marble

Barnwood Brown  
Rustic Black  
Rustic White  
Rustic Grey  
Earl Black

30LUCA48BRKT  
30LC48BLBSKT  
30LCA48WBSKT  
30LC48GRBSKT  
30LC48EBBSKT

54" diameter x 31" h

Seats up to 4

#### Bluestone

Barnwood Brown  
Rustic Black  
Rustic White  
Rustic Grey  
Earl Black

30LUCA54BRKT  
30LC54BLBSKT  
30LCA54WBSKT  
30LC54GRBSKT  
30LC54EBBSKT

#### White Marble

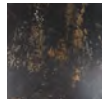
Barnwood Brown  
Rustic Black  
Rustic White  
Rustic Grey  
Earl Black

30LUCA54BRKT  
30LC54BLBSKT  
30LCA54WBSKT  
30LC54GRBSKT  
30LC54EBBSKT

### Finishes:



Barnwood Brown



Rustic Black



Rustic White



Rustic Grey



Earl Black



### Buffet

43.25" w x 21.5" d x 33.5" h

#### Bluestone

Barnwood Brown  
Rustic Black  
Rustic White  
Rustic Grey  
Earl Black

30LUCABRBFKT  
30LCBLBLBFKT  
30LCWHBLBFKT  
30LCGRBLBFKT  
30LCEBBLBFKT

#### White Marble

Barnwood Brown  
Rustic Black  
Rustic White  
Rustic Grey  
Earl Black

30LCBRMRBFKT  
30LCBLMRBFKT  
30LCWHMRBFKT  
30LCGRMRBFKT  
30LCBMRBFKT

## naturally elegant design

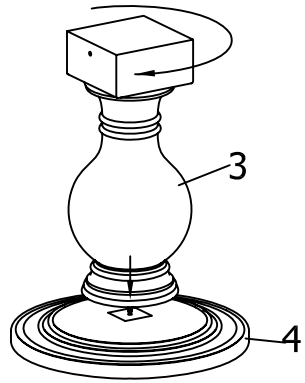
Inspired by the granite shorelines of Barcelona, our classically styled Luca Dining Collection complements hand-carved stone with the beauty of reclaimed wood. Solid pine wood is salvaged from old structures and artfully refurbished, while stunning slabs of bluestone and white marble are cut and carefully shaped. Frames are durably assembled by our craftsmen, who sculpt each elegant curve, adding subtle accents to each surface. Then, finishes are carefully layered and distressed to highlight the materials' naturally varying color and texture, imparting each piece with a rugged beauty that will form a perfect focal point in your dining space.

### product details

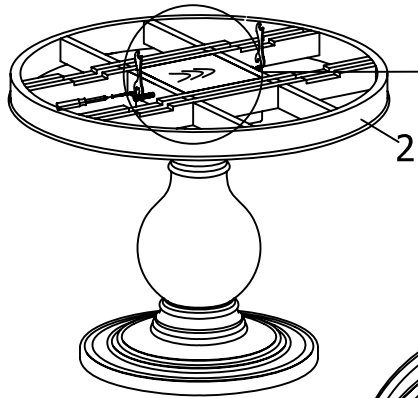
- ▶ Each piece in this classic collection is artisan-crafted using solid reclaimed pine salvaged from old structures.
- ▶ Round Dining Table bases also include kiln-dried douglas fir, which is hand-carved to form each classic pedestal.
- ▶ Table and buffet tops are formed from hand-cut bluestone or white marble, selected for their beauty, strength, and durability.
- ▶ Table/Buffer tops are formed from hand-cut bluestone or white marble, selected for their beauty, strength, and durability.
- ▶ Finished tops are coated with a clear wax to enhance and protect its surface.
- ▶ Barnwood Brown finishes are stained, to enhance the coloring of each wood surface, and then waxed to impart a soft, subtle sheen.
- ▶ Rustic Black, Rustic White, Rustic Grey, and Earl Black finishes are hand-painted, using multiple layers of paint and stain, which are then artfully antiqued and lacquered for protection.
- ▶ Buffets feature single cabinet doors accentuated by solid brass hardware.
- ▶ Buffet cabinets contain adjustable/removable shelving to accommodate tableware, serveware, and more.
- ▶ All frames are craftsman-built using mortise-and-tenon construction, ensuring their superior stability.
- ▶ This collection is artisan-crafted from reclaimed wood with hand-applied finishes. Due to this, individual pieces will vary in color, pattern, shape, and texture, making each piece truly unique.
- ▶ Reclaimed wood may display small splits, knots, joint lines, or other organic features that will not affect the quality or performance of your piece.
- ▶ Furniture made from reclaimed wood may move slightly due to temperature and humidity. This is normal and should be expected from season to season.
- ▶ Keep your furniture looking its best. Visit [arhaus.com](http://arhaus.com) or speak to any Arhaus Design Consultant for care recommendations.



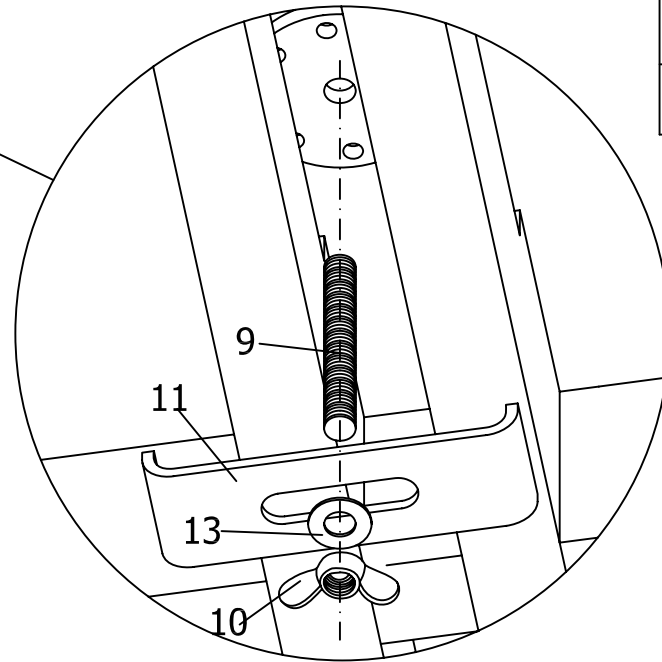
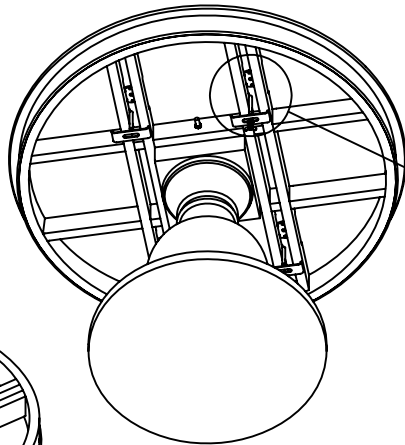
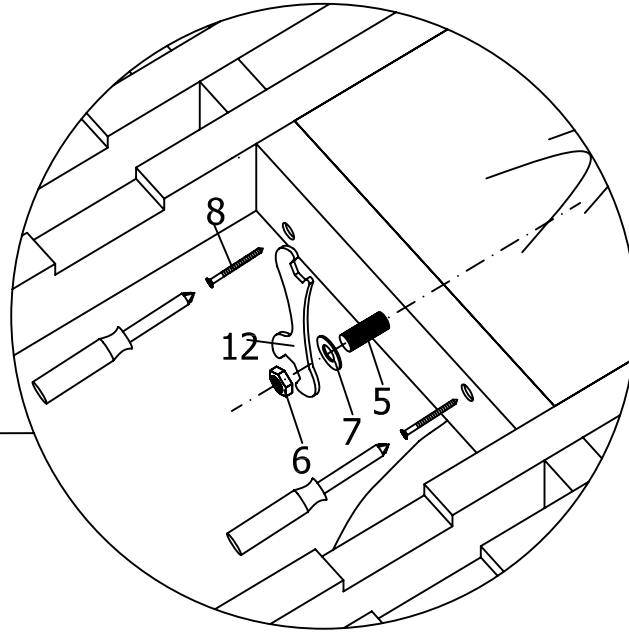
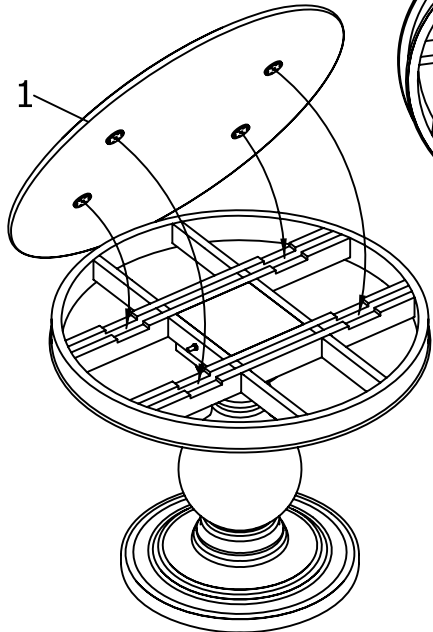
①



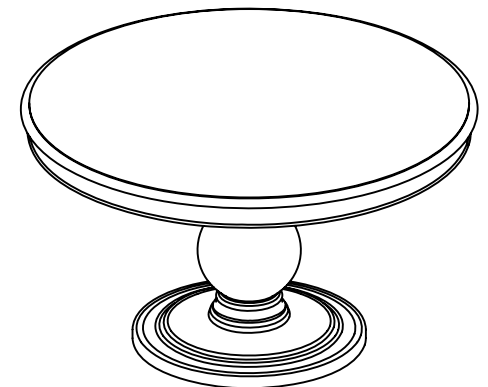
②



③



1		1
2		1
3		1
4		1
5		1
6		2
7		2
8		4
9		4
10		4
11		4
12		1
13		4



# DINING PARTS SKUS

Super Category	Product ID	Description	Collection	Route
DINING	91LUCBDRHNG	LUCA BUFFET DOOR HINGE ALL FINISHES	PT-LUCA	
DINING	91LUCABFPULL	LUCA BUFFET DOOR PULL/KNOB ALL FINISHES DOOR PULL/KNOB	PT-LUCA	
DINING	30LUCROD	LUCA ROD	PT-LUCA	PART
DINING	91LUCALEV	LUCA TABLE BASE LEVELER QTY 1	PT-LUCA	PART
DINING	91LUCARECHW	LUCA TABLE HDW RECTANGLE	PT-LUCA	PART
DINING	91769LUCARND	LUCA TABLE HDW ROUND	PT-LUCA	PART

# ARHAUS®

your home

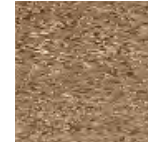
## luciano buffet

image not available

### Buffet

79" w x 20" d x 36" h  
Burnished Natural 30LUCWBUF

### Finishes:



Burnished Natural

## contemporary design complemented by classic styling

A beautiful balance of classic and contemporary design, our Luciano Dining Collection easily complements any dining room décor. Handcrafted by Indonesian artisans of solid oak and oak veneers, Luciano's transitional style is complemented by an array of rich, distressed, hand-painted finishes. Six drawers flanking a central cabinet are accentuated by brass hardware, and hand-carved, tapered spade feet are capped with classic, antiqued brass caps.

### product details

- ▶ Craftsman-built from solid oak and oak veneers for superior strength and durability.
- ▶ Wood finishes are applied by hand and wire-brushed to reveal the natural wood grain underneath, resulting in a time-worn appearance.
- ▶ Finishes are lacquered for added protection and a subtle sheen.
- ▶ Cabinetry is accented by antiqued solid brass knobs embellished with intricate rosette detailing.
- ▶ Tapered, squared legs are hand-carved and punctuated by classic spade feet wrapped in antiqued brass caps.
- ▶ Features six spacious drawers for storing flatware, linens, and other entertainment accessories.
- ▶ Drawers are reinforced for lasting strength and feature metal ball bearing glides for smooth, effortless operation.
- ▶ Center cabinet features an adjustable shelf for storing larger serving pieces, small appliances, and more.
- ▶ This collection is artisan-crafted from natural materials with hand-applied finishes. Individual pieces may vary in color, pattern, shape, and texture, making each truly unique.
- ▶ Natural wood may display small splits, knots, joint lines, or other organic features that will not affect the quality or performance of your piece.
- ▶ Furniture made from natural wood may move slightly due to temperature and humidity. This is normal and should be expected from season to season.
- ▶ Keep your furniture looking its best. Visit [arhaus.com](http://arhaus.com) or speak to any Arhaus Design Consultant for care recommendations.



# ARHAUS®

your home

## luciano



### 54" Dining Table

54" w x 36" d x 31" h; opens to 90" w  
Weathered 30LUCIANOWSM  
Seats up to 10.

### 80" Dining Table

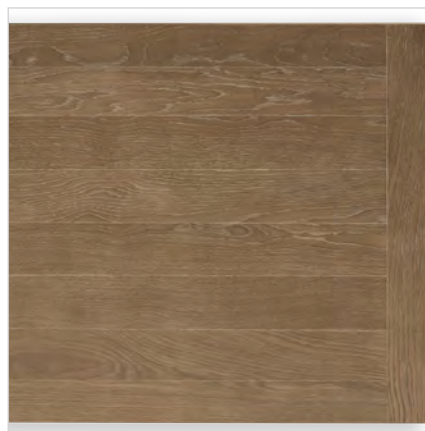
80" w x 40" d x 31" h; opens to 120" w  
Weathered 30LUCIANOW  
Seats up to 12.

## a beautiful balance of classic and contemporary design,

Luciano easily complements any décor or dinner party. The clean, angular silhouette conceals two refectory leaves that slide out to accommodate a range of gatherings. Choose your perfect setting for holidays, birthdays or formal entertaining—Luciano is offered in an array of rich or slightly timeworn finishes.

### product details

- ▶ Crafted by Indonesian artisans, these tabletops are accented with solid, planked oak and oak veneers for long-lasting durability.
- ▶ Fully finished on all surfaces, the tapered, squared and beautifully carved legs complement the tabletop's simple styling.
- ▶ Table finishes are wire-brushed to accentuate the wood's natural grain.
- ▶ Burnished finishes include an additional coat of stain and darker shading, which is hand-applied by the artisans to create a timeworn look.
- ▶ Finishes are lacquered for added protection and a subtle satin sheen.
- ▶ 54" tables features two 18-inch self-storing extensions. Table opens to 90" wide.
- ▶ 80" tables includes two 20-inch self-storing extensions. Table opens to 120" wide, 54" table seats up to 10, 80" table seats up to 12.
- ▶ This collection is artisan-crafted from natural materials with hand-applied finishes. Individual pieces may vary in color, pattern, shape, and texture, making each truly unique.
- ▶ Natural wood may display small splits, knots, joint lines, or other organic features that will not affect the quality or performance of your piece.
- ▶ Furniture made from natural wood may move slightly due to temperature and humidity. This is normal and should be expected from season to season.
- ▶ Keep your furniture looking its best. Visit [arhaus.com](http://arhaus.com) or speak to any Arhaus Design Consultant for care recommendations.

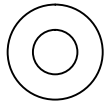


30LUCIABLK 30LUCIABLKSM  
 30LUCIABRN 30LUCIABRNSM  
 30LUCIANOW 30LUCIANOWSM

# Assembling Instruction Luciano Dining Table (719.013)

## Hardware Kit (799.020)

A =



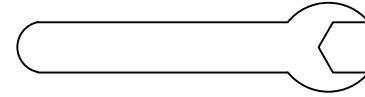
= 8 Pcs

B =



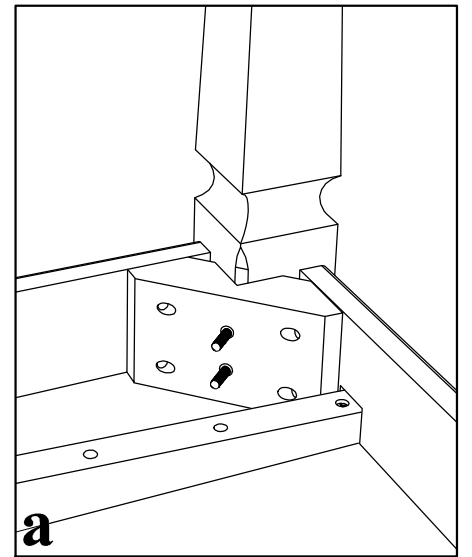
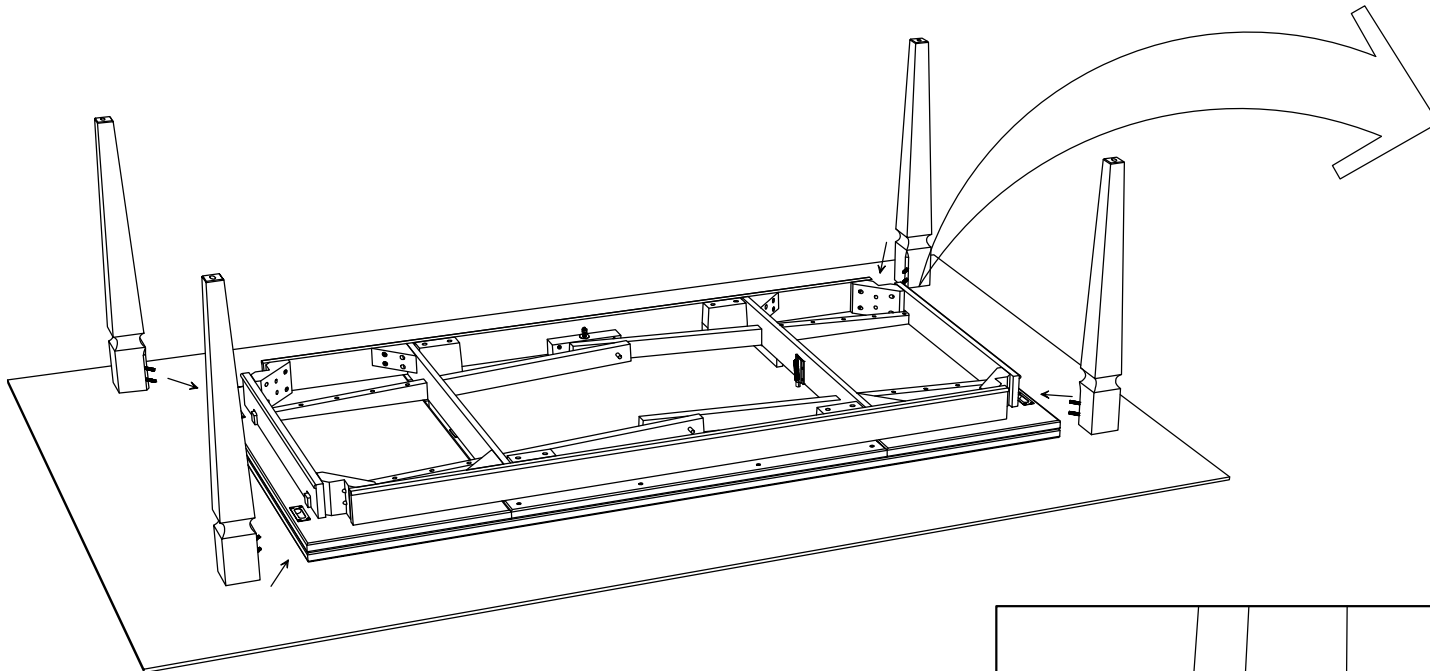
= 8 Pcs

C =



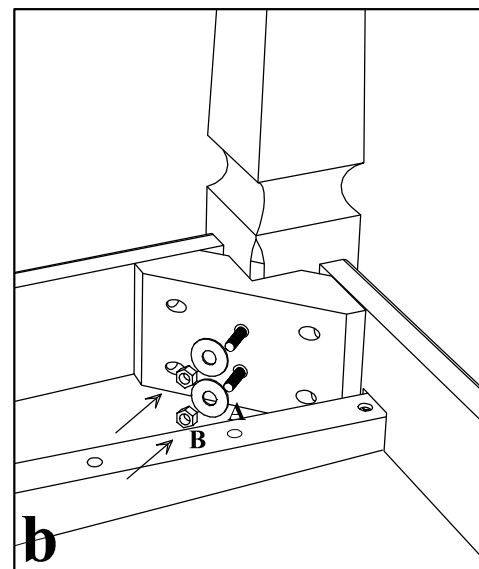
= 1 Pc

**1**

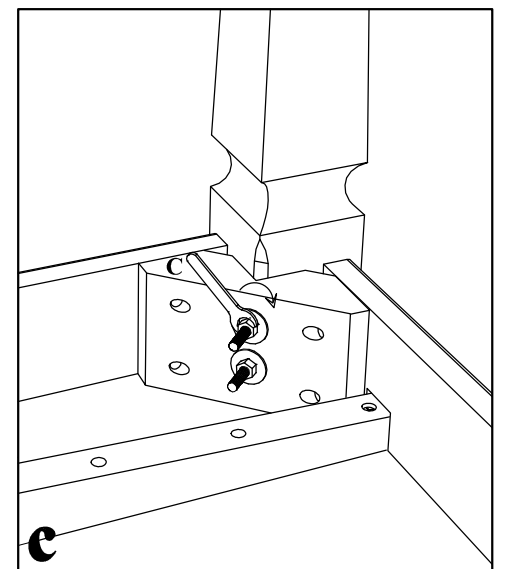


**a**

Install the legs.



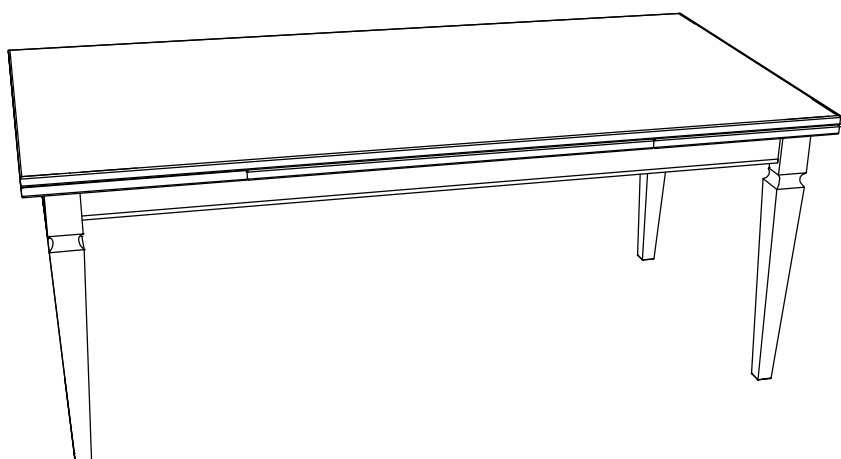
**b**



**c**

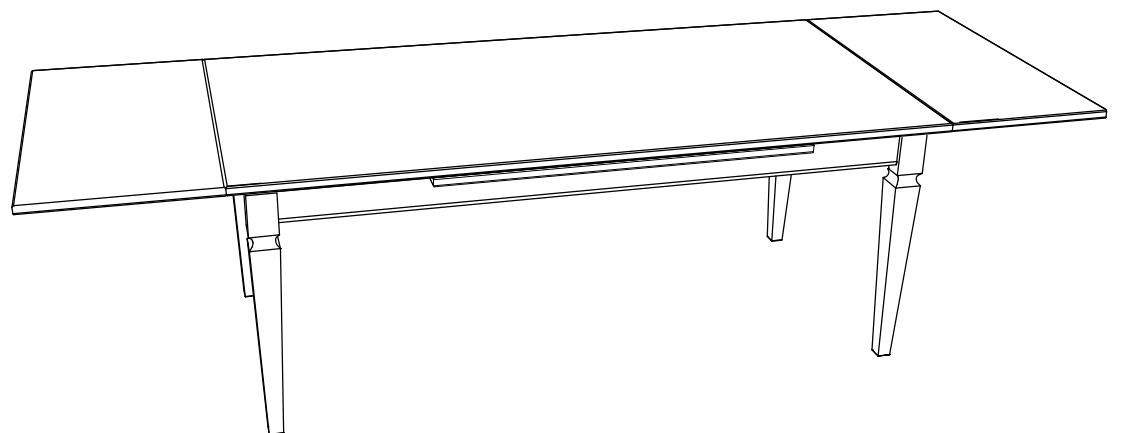
Attach ring and nut, and tight firmly by turning clock wise using 12 mm key

**2**



Turn the Table around to the right position.

**3**



Extended with leaves.



# DINING PARTS SKUS

Super Category	Product ID	Description	Collection	Route
DINING	91LUCCAP	LUCIANO BUF FEET CAP Luciano buffet feet cap	PT-LUCIANO	PART
DINING	91LUCBUFKNB	LUCIANO BUF KNOB KNOB	PT-LUCIANO	PART
DINING	91LUCBFPHNGL	LUCIANO BUF PIVOT HINGE LFT LEFT PIVOT HINGE	PT-LUCIANO	PART
DINING	91LUCBUFSPEG	LUCIANO BUFFET SHELF PEG SHELF PEG	PT-LUCIANO	
DINING	91711755	LUCIANO TABLE HANGER BOLT	PT-LUCIANO	PART
DINING	91LUCIANOHDR	LUCIANO TABLE HARDWARE HARDWARE KIT	PT-LUCIANO	PART
DINING	91378LIFTMECH	LUCIANO TABLE LEAF LIFT MECH LIFT MECHANISM SPRING	PT-LUCIANO	PART
DINING	91711580	LUCIANO TABLE WRENCH 12MM	PT-LUCIANO	PART

# ARHAUS®

your home

## lunden



### Side Chair

20" w x 25" d x 37" h

Flanigan Slate	30LUNDENSLATE
Flanigan Midnight	30LUNDENMIDNT
Flanigan Charcoal	30LUNDENCHRCL
Flanigan Celery	30LUNDENCELRY
Flanigan Azure	30LUNDENAZURE
Flanigan Hemp	30LUNDENHEMP
Drift Faux Leather	30LUNSDDFT
Charcoal Faux Leather	30LUNSDCHR



### Barstool

18.5" w x 22" d x 42.5" h; seat is 30" h

Flanigan Slate	30LUNBARSL
Flanigan Midnight	30LUNBARMN
Flanigan Charcoal	30LUNBARCH
Flanigan Celery	30LUNBARCL
Flanigan Azure	30LUNBARAZ
Flanigan Hemp	30LUNBARHP
Drift Faux Leather	30LUNBRDFT
Charcoal Faux Leather	30LUNBRCHR



### Counter Stool

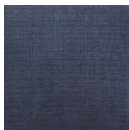
18.5" w x 22" d x 38.5" h; seat is 24" h

Flanigan Slate	30LUNCNTSL
Flanigan Midnight	30LUNCNTMN
Flanigan Charcoal	30LUNCNTCH
Flanigan Celery	30LUNCNTCL
Flanigan Azure	30LUNCNTAZ
Flanigan Hemp	30LUNCNTHP
Drift Faux Leather	30LUNCNTDFT
Charcoal Faux Leather	30LUNCNTCHR

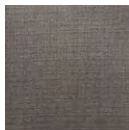
### Fabrics:



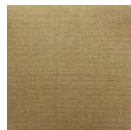
Flanigan Slate



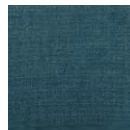
Flanigan Midnight



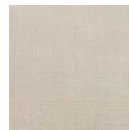
Flanigan Charcoal



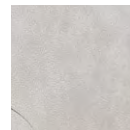
Flanigan Celery



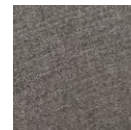
Flanigan Azure



Flanigan Hemp

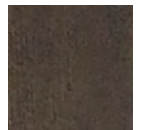


Drift Faux Leather



Charcoal Faux Leather

### Finish:



Chestnut

## kaleidoscopic dining comfort

Bring colorfully eclectic comfort to your dining space. Our simple yet perfectly styled Lunden Dining Chair Collection features a minimalistic, midcentury modern-inspired design that's easily paired with a wide variety of aesthetics from traditional to contemporary. Chair frames are built from solid, reinforced hardwood and cushions are generously padded for a relaxing sit. Upholstery is available in a wide variety of colors to suit your every décor desire.

### product details

- ▶ Craftsman-built frames are constructed using solid, reinforced, laminate hardwood for lasting strength and superior stability.
- ▶ Arhaus upholstery is made using wood certified by the Sustainable Forestry Initiative.
- ▶ Square and subtly curved legs are finished by hand and lacquered for added protection and subtle sheen.
- ▶ Curved backrests wrap around for added support.
- ▶ Cushion cores are made with dense, eco-friendly foam made partly from sustainable, plant-based material.
- ▶ Seats and backrests are supported by flexible, heavy-duty elastic webbing for resilient comfort.
- ▶ Keep your furniture looking its best. Visit [arhaus.com](http://arhaus.com) or speak to any Arhaus Design Consultant for care recommendations.



# ARHAUS®

your home

# MARGOT

CHATHAM DINING COLLECTION

shown in Cinder/  
Top Grain Smoke\*



## TIMELESS FRENCH BERGÈRE MODELS

The silhouette of our Margot Dining Collection features carved coils and linear accents. The juxtaposition of solid wood combined with an upholstered seat and cane back elevates your dining space with a touch of elegance. Fully padded for comfort, Margot is ideal for both sophisticated dinner events and casual dining occasions.



### NEED HELP?

Visit a store, call **866.427.4287**, or **live chat** with our Design Team to learn more.

*\*Available by special order.*

Dimensions may vary slightly. Please ensure furnishings fit through interior structures and into desired space before purchase.

# ARHAUS®

your home

# MARGOT

CHATHAM DINING COLLECTION

shown in Cinder/  
Top Grain Smoke\*



## PRODUCT DETAILS

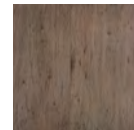
- + Craftsman-built chair frames are constructed using solid, reinforced, hand-carved, kiln-dried oak for lasting strength and stability.
- + Cane chair backs are woven and finished by hand.
- + Hand-applied finishes are distressed by furniture artisans to mimic a timeworn appearance and lacquered for added protection and subtle sheen.
- + Seats are sustained by sinuous springs, foam padding, and a flexible network of durable rubber webbing for comfortable, evenly dispersed support.
- + Top Grain Smoke leather develops natural texture and markings with use, creating a unique, antique appearance.
- + Our sustainably certified Crypton® Home Performance Fabrics are easy to clean, soft, and durable—engineered with stain-, odor-, and moisture-resistant technology in every fiber.
- + Keep your furniture looking its best. Visit [arhaus.com](http://arhaus.com) or speak to any Arhaus Design Consultant for care recommendations.

## CRAFT A CUSTOM LOOK

This collection is available in customizable **Finishes** and **Fabrics**, including our **Crypton® Home Performance Fabrics**.

Visit a store, call **866.427.4287**, or **live chat** with our Design Team to learn more.

## FINISHES:



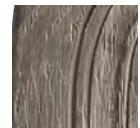
Weathered\*



Rubbed Black\*



Cinder

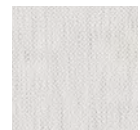


Stone Vintage

## FABRICS:



Linen Natural\*



Crypton®  
Nomad Snow

## LEATHER:



Top Grain  
Smoke\*

\*Available by special order.

Dimensions may vary slightly. Please ensure furnishings fit through interior structures and into desired space before purchase.

# ARHAUS®

your home

# MARGOT

CHATHAM DINING COLLECTION

shown in Cinder/  
Nomad Snow



## DINING CHAIR

21.25" w x 22.5" d x 39.5" h

Cane Back/Cinder/Nomad Snow

Cane Back/Stone Vintage/Nomad Snow

30MRGCDNDS

30MRGSVND

shown in Cinder/  
Top Grain Smoke



## BARSTOOL\*

21" w x 24.75" d x 48.75" h; seat measures 31.5" h

Cane Back/Cinder/Top Grain Smoke

IXDLBH1



## COUNTER STOOL\*

21" w x 24.75" d x 42.75" h; seat measures 25" h

Cane Back/Cinder/Top Grain Smoke

IXDLBS1

*\*Available by special order.*

Dimensions may vary slightly. Please ensure furnishings fit through interior structures and into desired space before purchase.

shown in  
Cinder

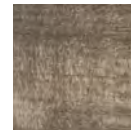


The stunning silhouette of our Marais Dining Chair was inspired by an antique chair found while exploring a Paris flea market. Handcrafted by master artisans in Italy from ash wood, contemporary Marais will help to make every meal served around your dining table unforgettable.

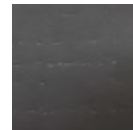
## PRODUCT DETAILS

- + Features hand-applied finishes to highlight the organic nature of ash wood.
- + Arms measure 27.25" h.
- + Seat measures 18.5" h.
- + Keep your furniture looking its best. Visit [arhaus.com](https://arhaus.com) or speak to any Arhaus Design Consultant for care recommendations.

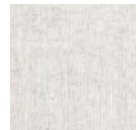
## FINISHES:



Cinder



Vesuvio Black



Grizzly Cream

## FABRIC:

## NEED HELP?

Visit a store, call **866.427.4287**, or  
**live chat** with our Design Team to  
learn more.

ARHAUS®  
your home

MARAIS

DINING CHAIR COLLECTION  
MADE IN ITALY



DINING ARM CHAIR

21.75" w x 20.5" d x 33.5" h

Cinder/Grizzly Cream

Vesuvio Black/Grizzly Cream

30MARCNGCAC

30MARVBGCAC

# ARHAUS®

your home

## massa



### Massa Kitchen Table

78.75" w x 35.5" w x 29.5" h  
(Seats up to 8)

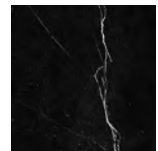
Carrara Marble  
30MASSAMBKT2

Black Marble  
30MASSABLKTBL

### Options



Carrara Marble



Black Marble

## a new spin on vintage design

Marrying retro aesthetics with contemporary detailing, our Massa Table Collection is a chic transitional solution for uniquely styled dining spaces. Stunning Carrara marble or black marble tabletops are artisan-finished and complemented by an iron frame with an antiqued brass patina. Iron table bases and stone tops ensure durability, while softer details like rounded corners suggest an inviting, comfortable feel.

### product details

- ▶ Dining tabletops are artisan-crafted from elegant marble and placed within durable iron frames.
- ▶ Iron frames are hand-finished with an antique brass patina.
- ▶ Stone surfaces are sealed with lacquer to preserve their natural integrity.
- ▶ Kitchen table seats up to 8.
- ▶ Keep your furniture looking its best. Visit [arhaus.com](http://arhaus.com) or speak to any Arhaus Design Consultant for care recommendations.





# DINING PARTS SKUS

Super Category	Product ID	Description	Collection	Route
DINING	91MASBUFSPEG	MASSA BUFFET SHELF PEG 8 PINS PER BUFFET	PT-MASSA	
DINING	91MASSAHRDWR	MASSA TABLE HARDWARE BRASS FOR WHITE TABLE	PT-MASSA	PART
DINING	91MASSABLKHW	MASSA TABLE HARDWARE PEWTER FOR BLACK TABLE	PT-MASSA	PART

# ARHAUS®

your home

## mattia



Dining Chair  
19" w x 21" d x 33" h  
30MATTIASC

Finish:



Dark Notte

### your style your way

Craft a custom design that tells your style story.

This collection is available in special-order **Fabrics, Leathers, Finishes,** and **more,** details below.

Ask in store or call **866.427.4287**

## Inspired by Danish design

our Mattia ladder-back dining chair is handcrafted from solid beech wood by Italian furniture artisans. Each chair's ladder back is hand-carved and hand-stained in our Darke Notte finish. Drop-in chair seats are expertly upholstered in any of our dining fabrics, to complement your dining space and your preferred aesthetic.

### product details

- ▶ Handcrafted from solid beech wood by Italian furniture artisans, featuring a ladder-back design and our hand-stained Darke Notte finish.
- ▶ Drop-in dining chair seats are expertly upholstered and hand-finished, secured by heavy-duty crews for easy removal and reupholstering.
- ▶ Select your seat fabric or leather from our selection of dining fabrics to complement your dining space.
- ▶ Keep your furniture looking its best. Visit [arhaus.com](http://arhaus.com) or speak to any Arhaus Design Consultant for care recommendations.



ARHAUS®  
your home  
meridian



Finish:



Oolong Charcoal

Dining Table

78.75" d x 43.5" d x 30" h  
30MERD78BSKT  
Seats up to 8

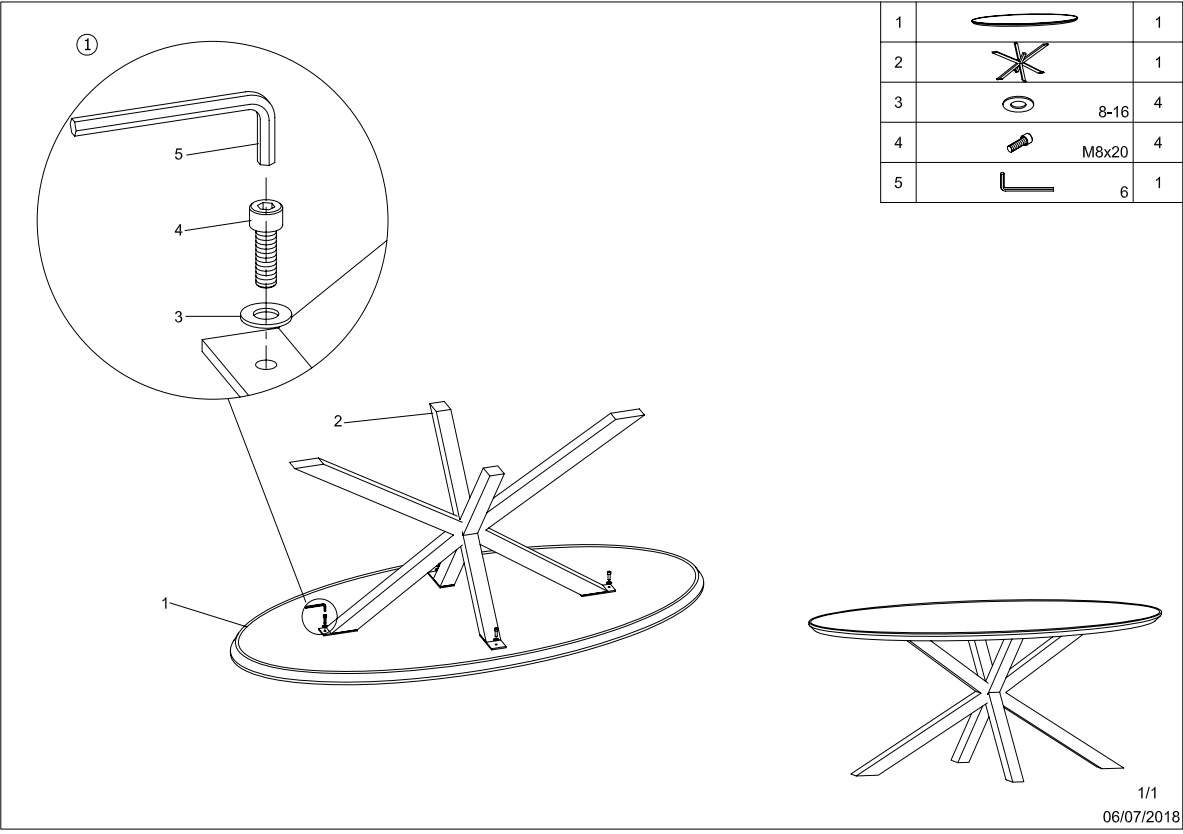
## dramatically designed

Featuring organically elegant bluestone complemented by hand-finished oak, our modern Meridian dining table features a fashion-forward aesthetic that blends easily with many décor motifs. Stunning, hand-cut bluestone is thoughtfully paired with a dramatically angled, spider-leg metal base that will elevate any kitchen or formal dining space with striking, contemporary styling.

### product details

- ▶ Tabletops are craftsman-built from hand-cut bluestone—selected for its beauty, strength, and durability—framed in solid oak.
- ▶ Oak surfaces are wire-brushed and hand-finished in dark, rich tones to complement the naturally elegant bluestone.
- ▶ Finished tabletops are sealed with lacquer and coated with a clear wax to enhance and protect its surface.
- ▶ Metal table bases feature a dramatically angled spider leg design.
- ▶ This collection is artisan-crafted from natural materials with hand-applied finishes. Individual pieces may vary in color, pattern, shape, and texture, making each truly unique.
- ▶ Natural wood may display small splits, knots, joint lines, or other organic features that will not affect the quality or performance of your piece.
- ▶ Furniture made from natural wood may move slightly due to temperature and humidity. This is normal and should be expected from season to season.
- ▶ Keep your furniture looking its best. Visit [arhaus.com](http://arhaus.com) or speak to any Arhaus Design Consultant for care recommendations.





1/1  
06/07/2018

# DINING PARTS SKUS

Super Category	Product ID	Description	Collection	Route
DINING	91MERIDIANHW	MERIDIAN OVAL TABLE HARDWARE ASSEMBLY HARDWARE	PT-MERIDN	PART

# ARHAUS®

your home

## messina



### Buffet

69" w x 20.5" d x 44" h  
PMFUBFS

\*All Bell'Arte dining pieces are made to order.

## a true masterpiece

Centuries-old woodworking techniques are used to craft every exquisite detail of our exclusive Bell'Arte collection. Handcrafted to order in a region of Italy renowned for its furniture-making, our dedicated artisans treat each unique piece like a work of art. Cabinetry is built from solid tulip wood and masterfully finished by hand, combining layers of stain, paint, and lacquer—a process which takes over three days to complete per piece. Our Messina Buffets are designed to resemble traditional buffets of northern Italy—tall and narrow with ample storage and a secret compartment on either side.

### product details

- ▶ As with the rest of our Arhaus-exclusive Bell'Arte Collection, these pieces are handcrafted in a region of Italy renowned for its furniture-making.
- ▶ Craftsman-built from tulip wood—a wood prized in the making of fine furniture—using mortise-and-tenon assembly for superior durability and structural reliability.
- ▶ Antique Marmo finishes are hand-painted with elegant floral detailing. Layered ivory and grey tones are slightly aged and lacquered, resulting in a timeworn appearance.
- ▶ Italian artisans meticulously carve all details by hand, making each piece truly one-of-a-kind.
- ▶ Buffets feature adjustable shelving and two dovetail-joined drawers set onto wooden glides.
- ▶ Buffets feature antique brass hardware and keyholes, which unlock hidden compartments on either side.
- ▶ Buffet interiors are 25" w x 13" d.
- ▶ After the finishing process, which takes three days to complete, the artisans sign "Hand-painted in Italy" in Italian and date their work.
- ▶ **If you wish, the artisans can specially customize your Bell'Arte piece by hand-painting your name (up to three words) on the underside for no additional cost.** Visit your local store or call to order.



messina | bell'arte dining collection | made in Italy

Dimensions may vary slightly. Please ensure furnishings fit through interior structures and into desired space before purchase.

# ARHAUS®

your home

## personalization form

\* If you wish, the artisans can specially customize your Bell'Arte piece by hand-painting your name (up to three words) on the underside for no additional cost.

---

### personalized description

\*The personalization can include up to 3 words. No symbols or characters. This should be hand written in all caps.

Print Name:

---

Signature of Applicant:

Date:

---

---

# ARHAUS<sup>®</sup>

FURNISHING A BETTER WORLD<sup>®</sup>

## INSTRUCTIONS FOR THE SECRET ART. R3300 PMFUBFS MESSINA BUFFET





# Parts Inventory

Super Category	Product ID	Description	Collection	Route	Regular Price	Qty On Hand	Net Avail
DINING	91MESSKNB	MESSINA BUF DRAWER KNOB DRAWER KNOB	PT-MESSINA	PART	\$6.00	18	18
DINING	91MESSHNG	MESSINA BUF HINGE BUFFET HINGE	PT-MESSINA	PART	\$6.00	24	24
DINING	91MESSLOCK	MESSINA BUF LOCK BUFFET LOCK	PT-MESSINA	PART	\$22.00	5	5
DINING	91MESSHLFL	MESSINA BUF SHELF LG LARGE SHELF	PT-MESSINA	PART	\$59.00	6	6
DINING	91MESSHLFS	MESSINA BUF SHELF SM BUFFET SHELF	PT-MESSINA	PART	\$22.00	4	4
DINING	911679MESSKEY	MESSINA BUFFET KEY	PT-MESSINA	PART	\$4.00	21	21
DINING	91MESSLAT	MESSINA SHELF SUPPORT	PT-MESSINA	PART	\$8.00	19	19

shown in  
Vin Alb



## ARTISAN-MADE

Inspired by the stained interiors of red wine barrels, our beautiful Mihaela Collection is a masterfully crafted work of art. Every Mihaela piece is built by a family of artisans, using Romanian oak that has been hand-cut from the foothills surrounding their mountain village. Rich finishes are applied by hand, accentuating the oak's natural textures and organic grain patterns.

### PRODUCT DETAILS

- + Frames are craftsman-built from solid Romanian oak—sustainably harvested by our artisans' family—cut from locally grown trees up to 250 years old.
- + Dining tabletops and bench seats are made from alternating layers of Romanian oak wood and solid spruce wood to ensure the stability and longevity of every piece.
- + Hand-applied, lacquered finishes accentuate Mihaela's natural oak wood surfaces and add a layer of extra protection.
- + Dining Tables and Bar Cabinets feature hand-carved detailing with hand-painted accents that appear as antique brass (Vin Rosu finish) or oil-rubbed bronze (Vin Alb finish).
- + Bar Cabinets feature metal legs, subtly finished to complement the wood above.
- + Keep your furniture looking its best. Visit [arhaus.com](https://arhaus.com) or speak to any Arhaus Design Consultant for care recommendations.



FINISHES:  
Vin Rosu



Vin Alb

### NEED HELP?

Visit a store, call **866.427.4287**, or **live chat** with our Design Team to learn more.

shown in  
Vin Rosu



DINING TABLE

96" w x 40" d x 30" h

Vin Rosu 30MHLVR96T2  
Vin Alb 30MHLVALB96T

seats up to 10

84" w x 40" d x 30" h

Vin Rosu 30MHLVR84T2  
Vin Alb 30MHLVALB84T

seats up to 8



76" w x 40" d x 30" h

Vin Rosu 30MIHAELA76T  
Vin Alb 30MHLVAL76T2

seats up to 6

60" diameter x 30" h

Vin Rosu 30MHLVR60T2  
Vin Alb 30MHLVALB60T

seats up to 8



BENCH

76" w x 16" d x 18" h

Vin Rosu 30MHLVR76B2  
Vin Alb 30MHLVALB76B

seats up to 4

64" w x 16" d x 18" h

Vin Rosu 30MHLVR64B2  
Vin Alb 30MHLVALB64B

seats up to 3

56" w x 16" d x 18" h

Vin Rosu 30MIHAELA56B  
Vin Alb 30MHLVALB56B

seats up to 2

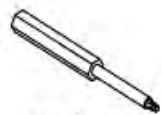


BAR CABINET

37" w x 17.25" d x 56" h

Vin Rosu 30MIHLACAB2  
Vin Alb 30MHLVALBCAB

# MIHAELA BAR ASSEMBLY INSTRUCTIONS



Not Included



x 6



x2

**A**



x 8

**C**



x4

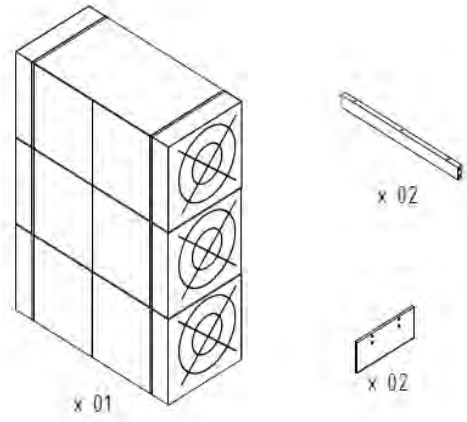
**E**



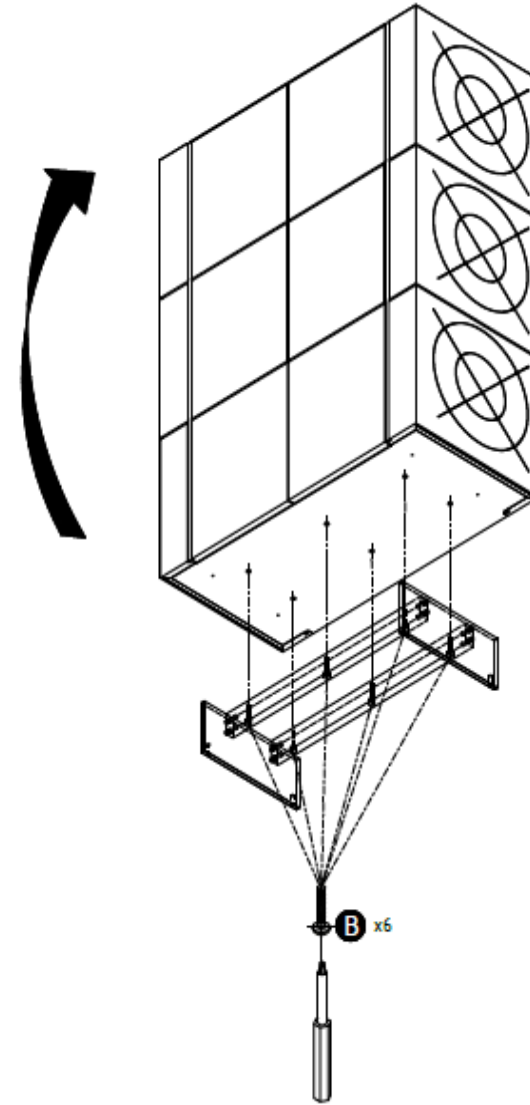
x1



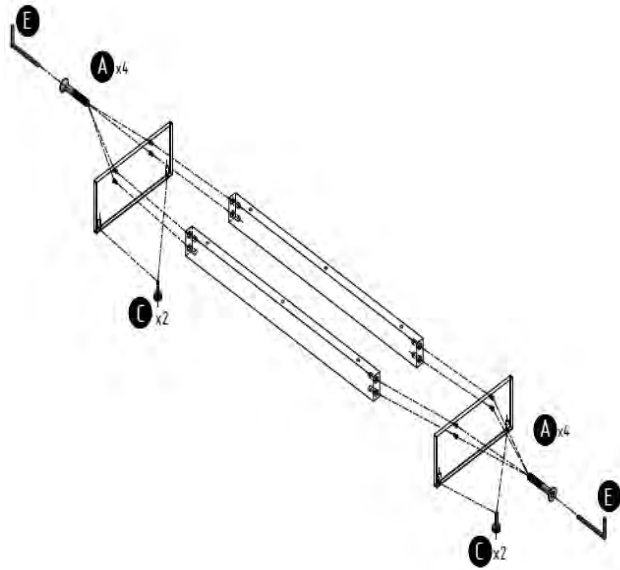
1



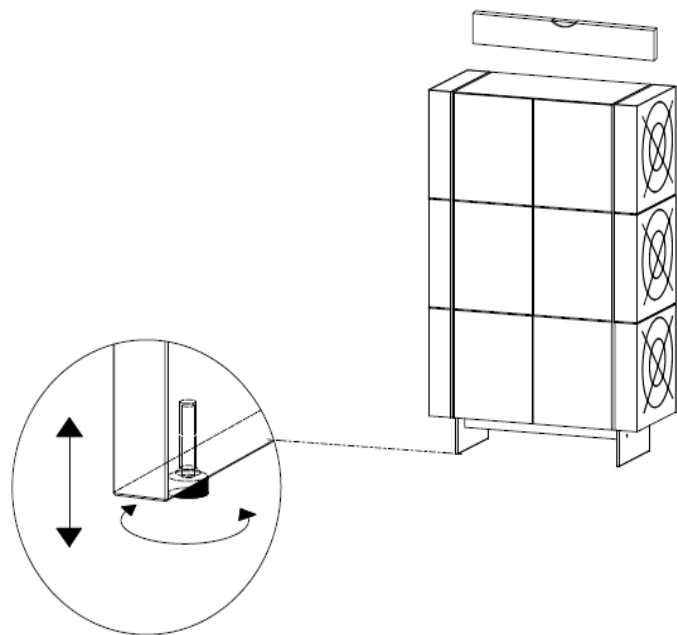
3



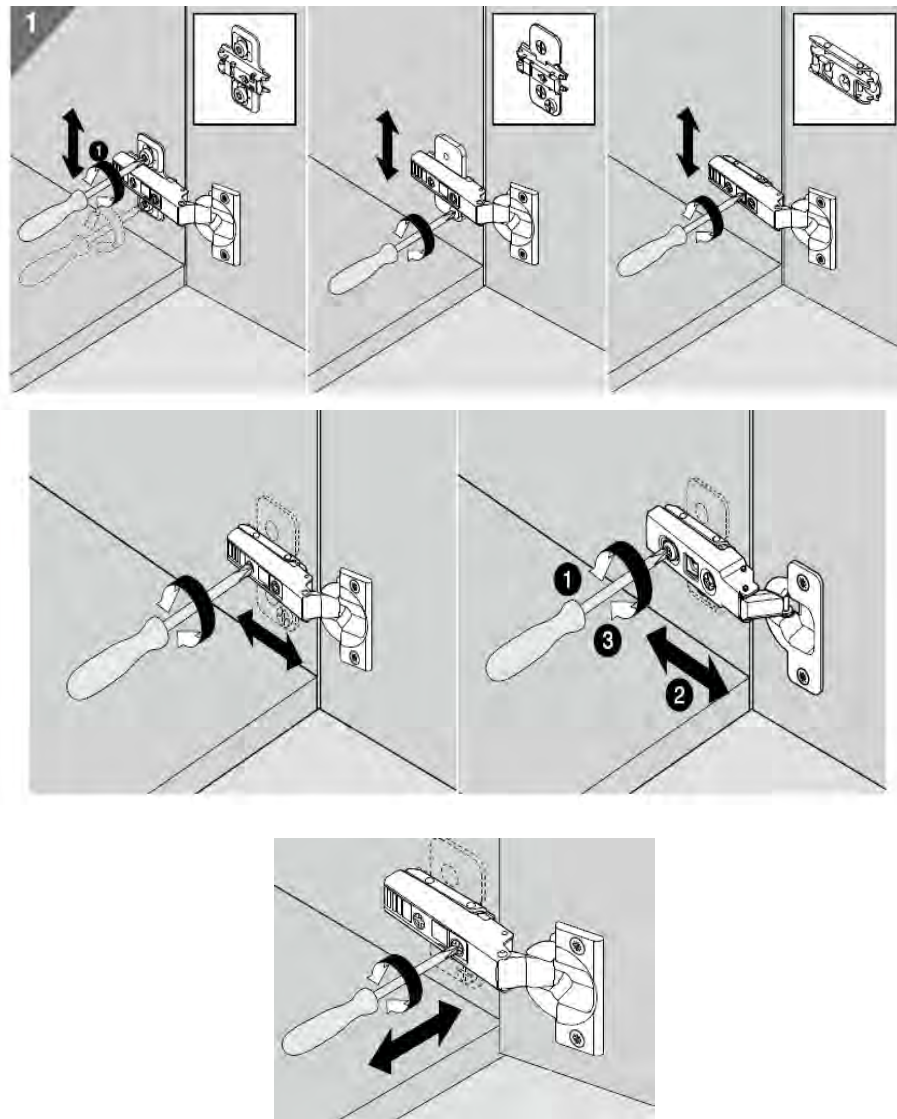
2



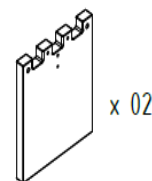
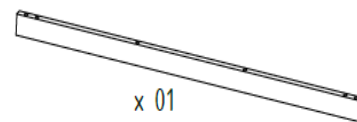
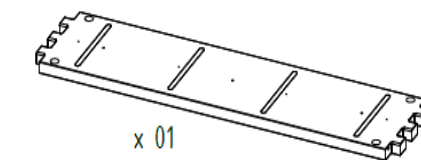
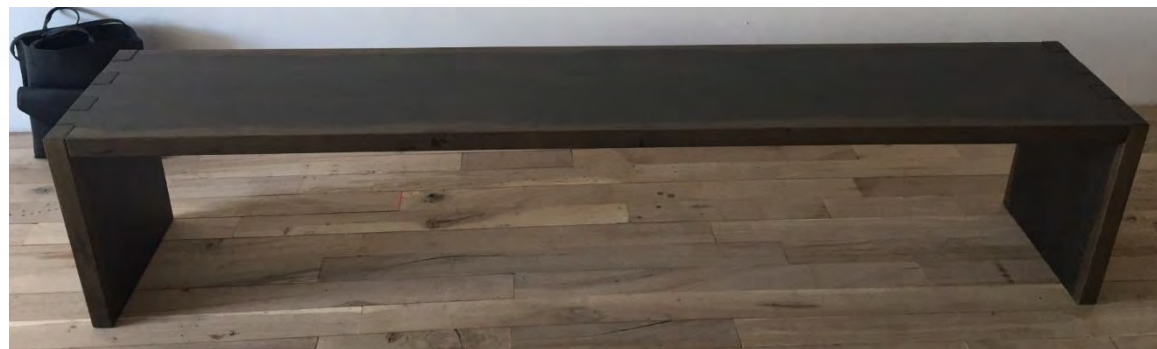
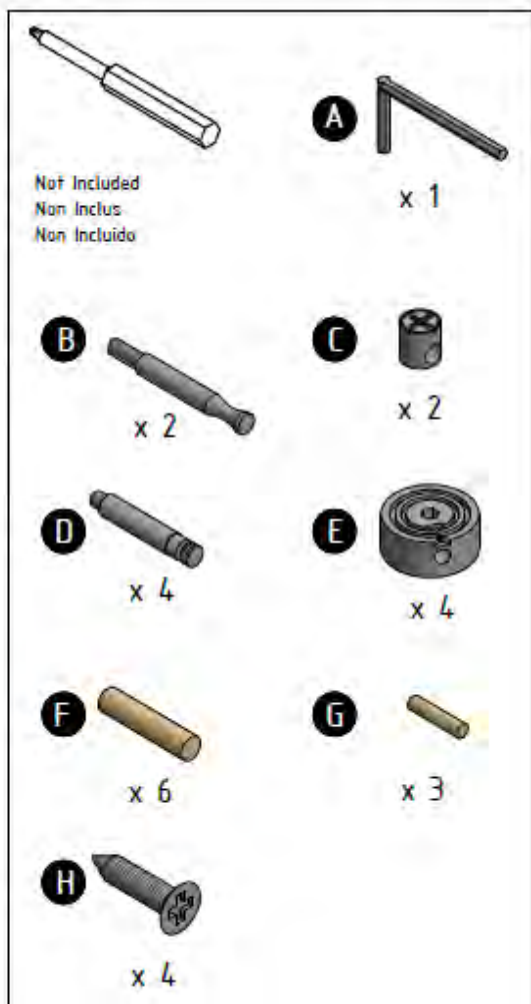
4



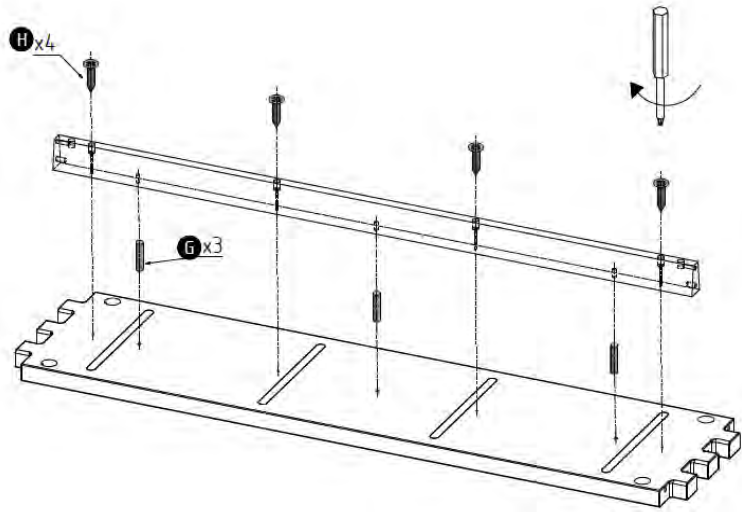
5



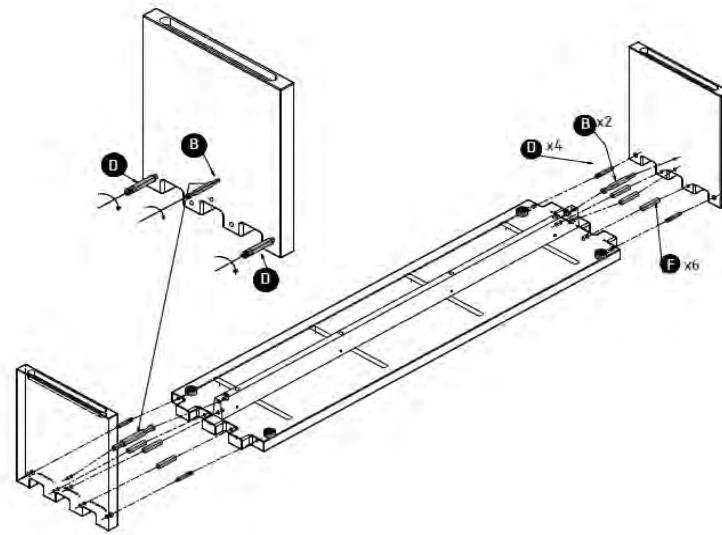
# MIHAELA BENCH ASSEMBLY INSTRUCTIONS



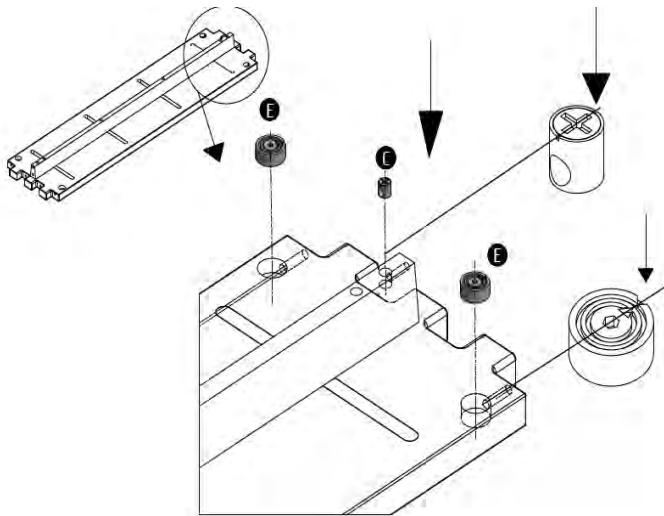
1



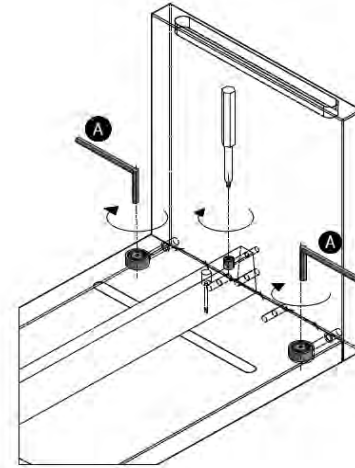
3



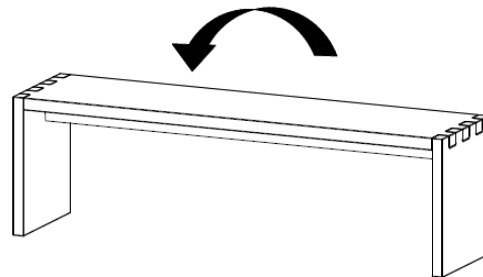
2



4



5

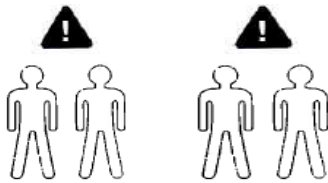
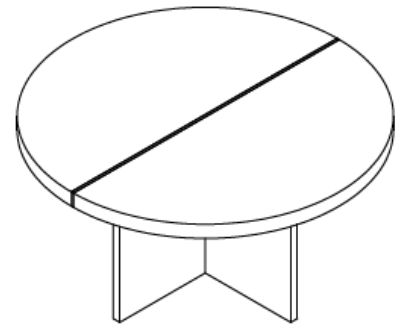


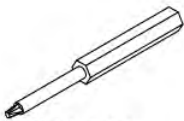








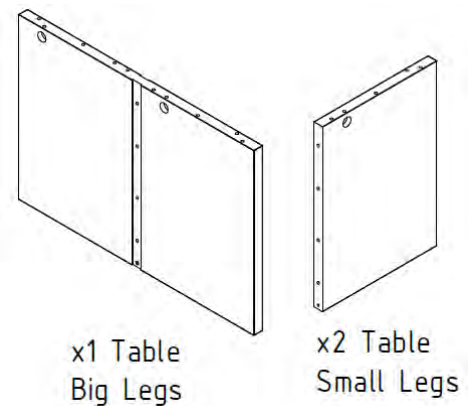
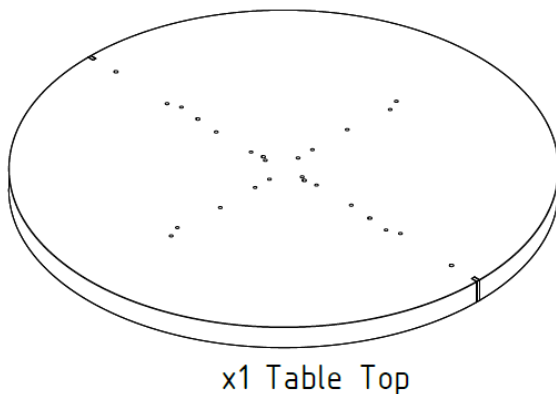
3110048MIHVARND

English

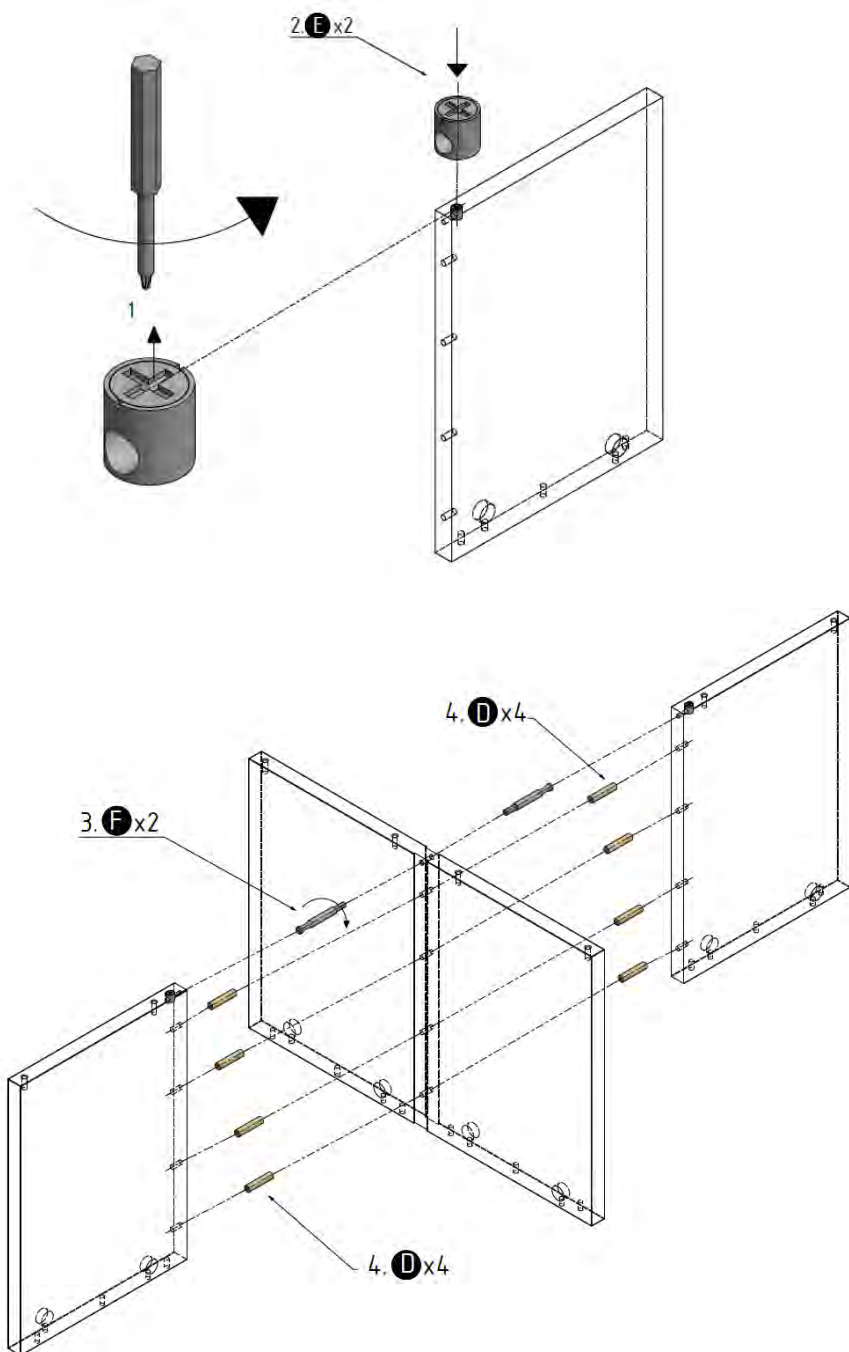
This page list the contents included in the box. Please take time to identify the hardware as well as individual components of the products. As you unpack and prepare for assembly, place the contents on a carpeted or padded area to protect them from damage. Please follow the assembly instruction closely. Improper assembly can result in personal or property damage.



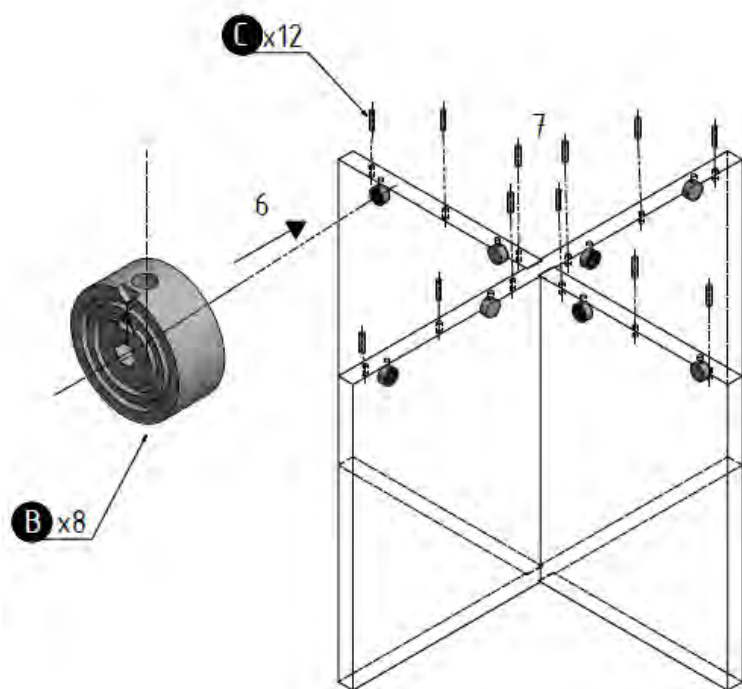
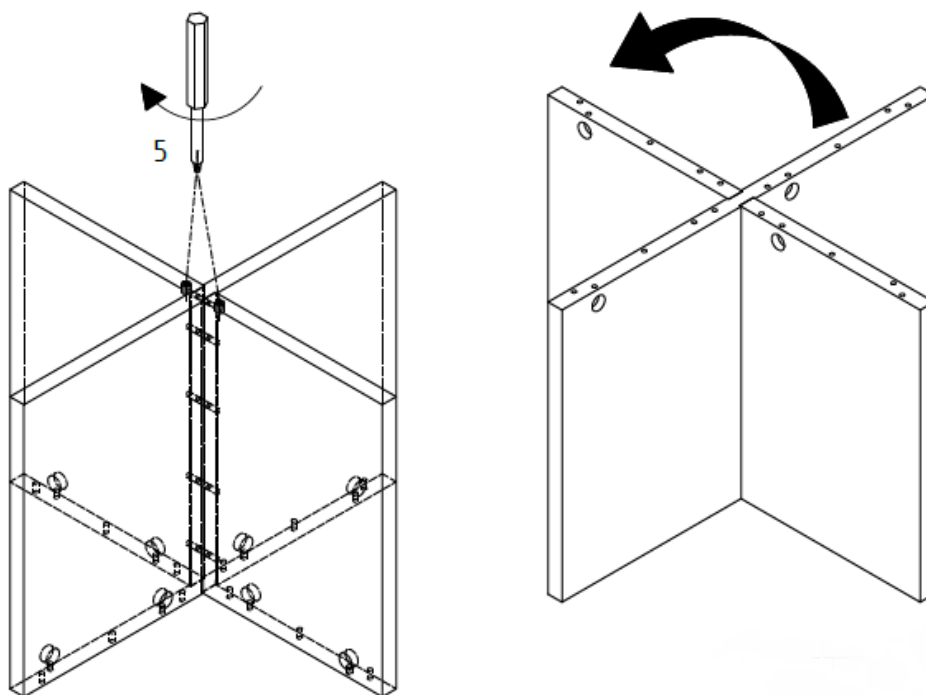
-   
Not Included  
Non Inclus  
Non Includio
- A**  
  
x 1  
hex key 6 mm
- B**  
  
x 8  
M8 for Maxifix
- C**  
  
x 8  
Connector Maxifix
- D**  
  
x 16  
Ø8x35
- E**  
  
x 2  
Connector  
Minifix
- F**  
  
x 2  
M6 for  
Minifix



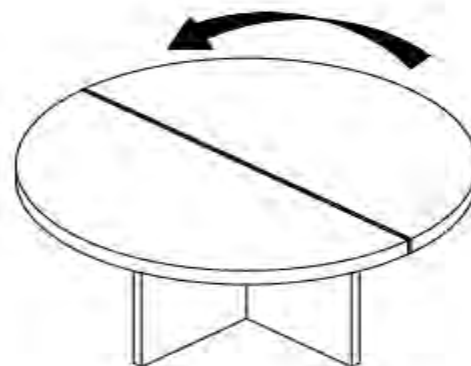
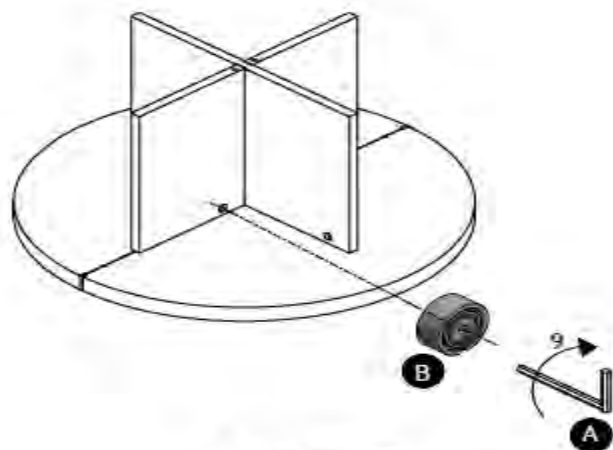
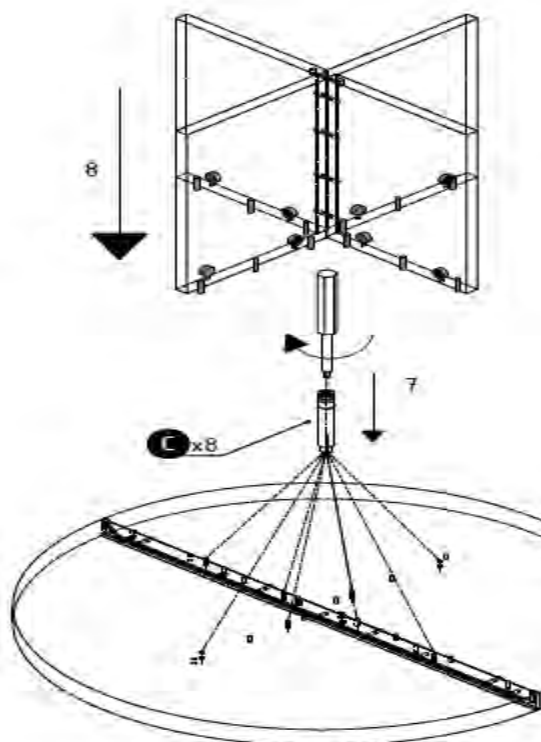
3110048MIHVARND



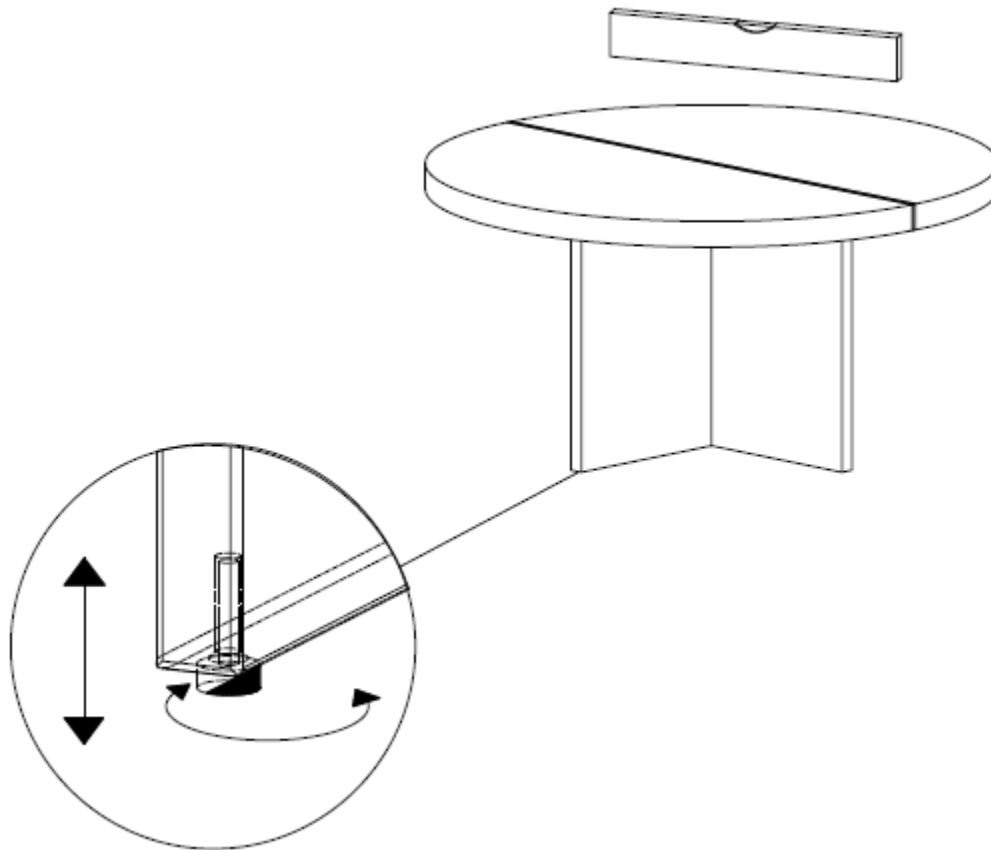
3110048MIHVARND



3110048MIHVARND

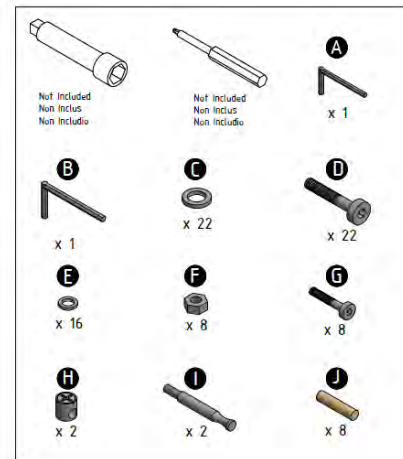
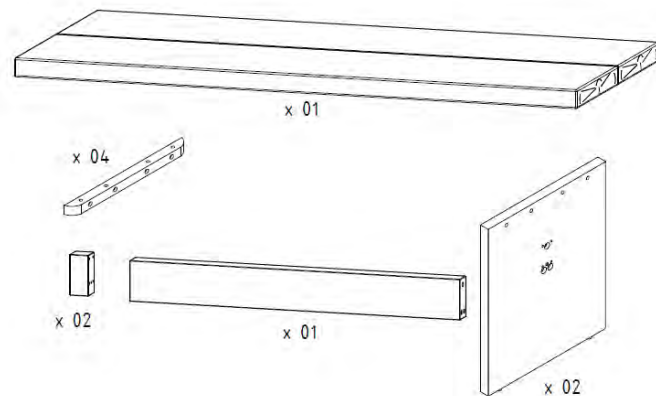


3110048MIHVARND

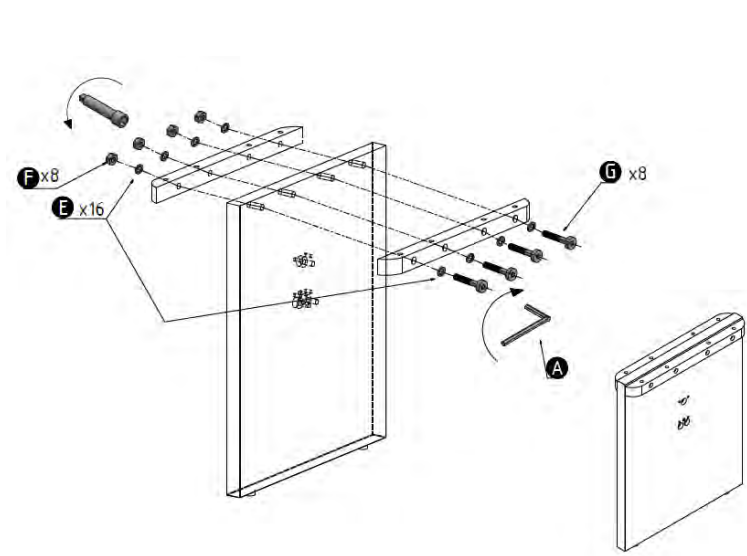


Clean surfaces with a dry or damp soft cloth. Do not use abrasive cleaners.  
Do not use furniture wax or po

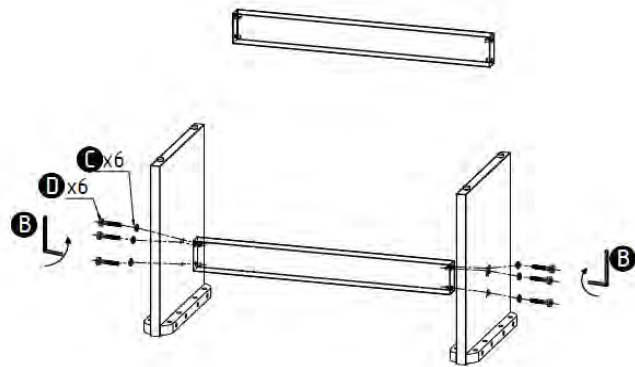
# MIHAELA ASSEMBLY INSTRUCTIONS



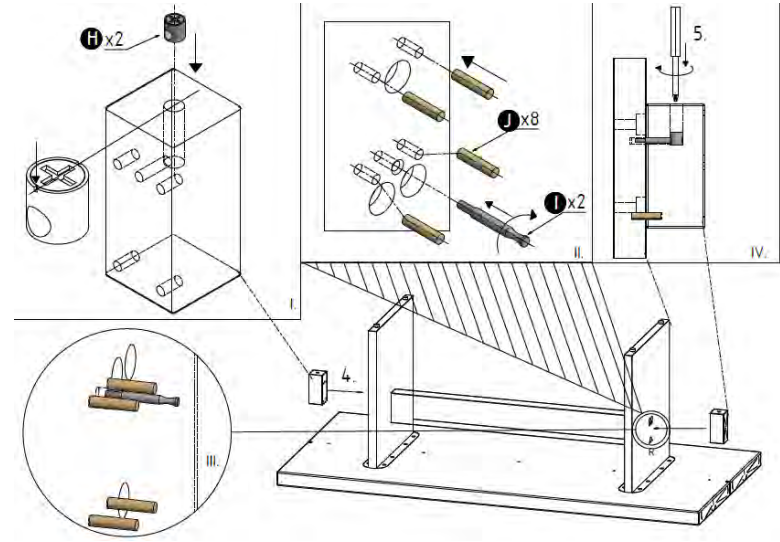
1



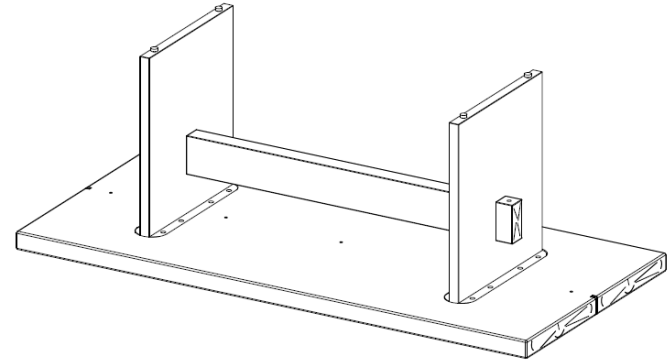
2



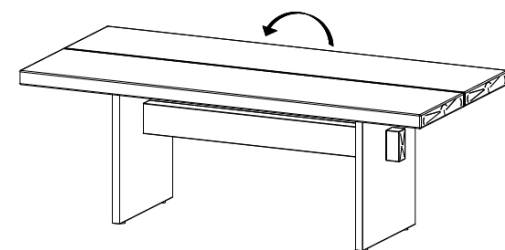
3



4



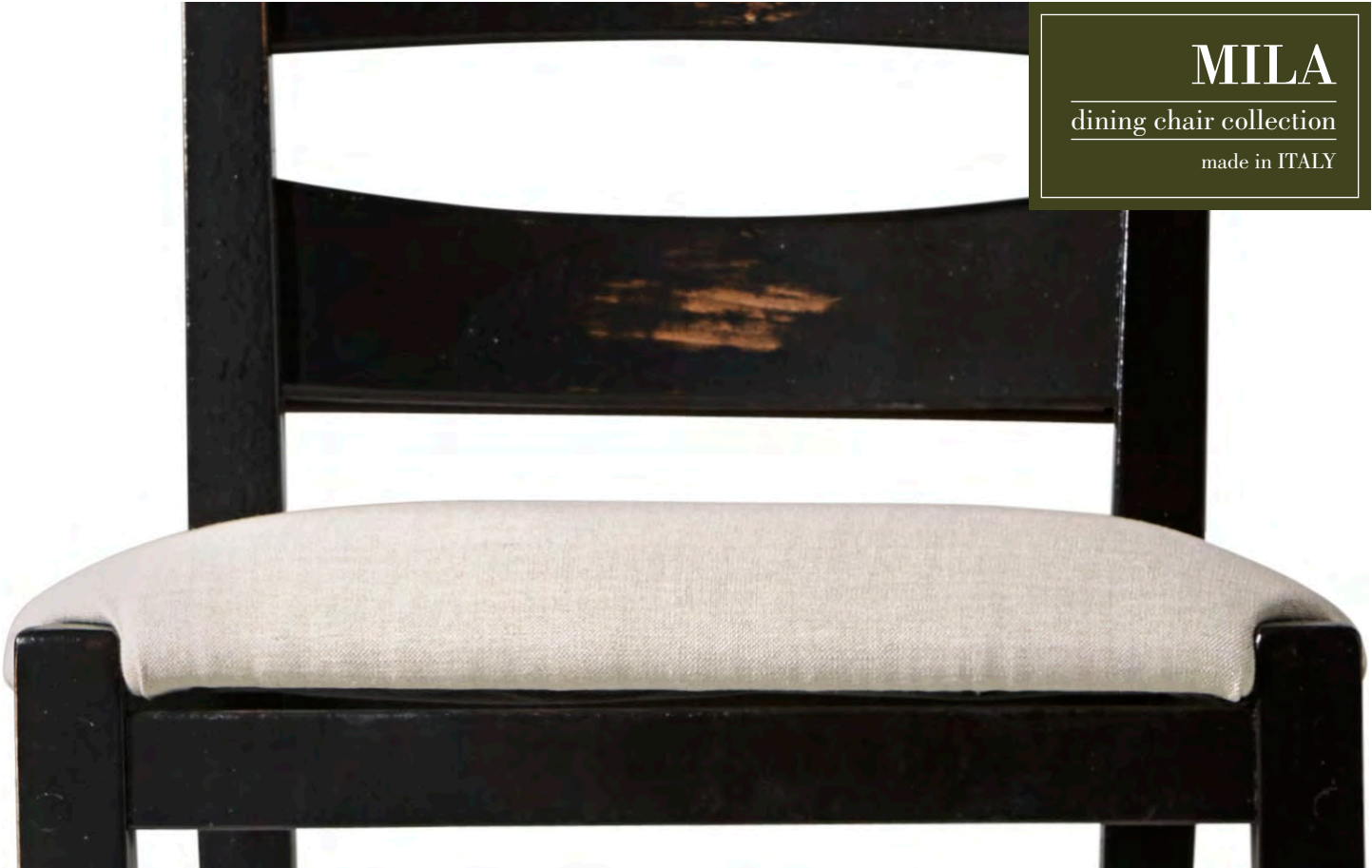
5



## DINING PARTS SKUS

CATEGORY	SKU	DESCRIPTION	STATUS	COLLECTION	ROUTE
DINING	91MIHALBNCHW	MIHAELA DINING BENCH HARDWARE ASSEMBLY HARDWARE	A	PT-MIHAELA	PART
DINING	91MIHALTBLHW	MIHAELA DINING TABLE HARDWARE ASSEMBLY HARDWARE	D	PT-MIHAELA	PART
DINING	91MIHALCABHW	MIHAELA STORAGE CABINET HW HARDWARE	D	PT-MIHAELA	PART
DINING	91MIHALTBLLV	MIHAELA TABLE LEVELERS LEVELERS	A	PT-MIHAELA	PART





**MILA**  
dining chair collection  
made in ITALY

## Based on a classic design.

Also known as a Prayer Chair, Mila features a wooden compartment on the back, originally used in a church to hold a Bible. We've updated it with interesting detail for use in today's homes, adding

lots of texture. Handcrafted by Italian artisans, Mila is comprised of solid beech wood using centuries-old woodworking methods.

### NATURAL WOOD

Each piece will have slightly different shading and grain patterns, and due to the nature of a multi-layered finish that is hand-applied by our craftsmen, there will be variation from piece to piece. Some small splits may occur, but will only add to the character. Knots and joint lines are a natural property and add interest without affecting performance. All natural wood will display movement from season to season because of changes in temperature and humidity.

### HANDCRAFTED QUALITY

Arhaus furniture is made with great care and attention to detail. Our collections are distinctive and designed to bring pleasure to you in your home for years to come. Each piece is handcrafted, made using traditional skills and techniques, and hand-painted, distressed and finished to ensure each item becomes an heirloom in your home.

### RENEWABLE RESOURCES

Arhaus is unique in its commitment to preserving natural resources. Our Corporate Rainforest Policy states that we will not sell merchandise made of timber from the world's endangered rainforests. In all cases, the wood we use was harvested from renewable resources.

All dimensions can vary slightly due to the hand-built nature of our furniture.



**Dining Side Chair 30MILACHR**  
19.5" w x 22.5" d x 39" h

## product details

- ▶ Handcrafted from solid beech.
- ▶ Customize the seat in 75+ additional fabrics.
- ▶ Features a sponged black finish, rubbed to reveal the brown walnut stain underneath.
- ▶ The frame is reinforced with grooved corner blocks to ensure a strong and stable piece through the years.
- ▶ Mortise and tenon assembly is the most effective method in securing two pieces of wood that connects a “t”. The end of one piece is fashioned into a round or rectangular shape (tenon), which is designed to fit into the same size hole on the other end (mortise).

## recommended care

- ▶ Dust wood with a soft, dry cloth and periodically use Guardsman® Wood Polish.
- ▶ Spills should be removed immediately with a damp cloth.
- ▶ Always avoid exposure to direct sunlight or heat (e.g. by placing it in front of a radiator) as this can cause cracking and potential fading of the wood; a minimum 30cm clearance from heat sources is advised.
- ▶ Do not drag piece(s) across the floor as this will cause damage or weaken joints.
- ▶ Dropping furniture onto corners or feet will cause damage.
- ▶ Leaning backwards on two legs of a chair may weaken joints.
- ▶ Toys, buckles and heels will scratch furnishings—try to prevent these objects from coming into contact with your piece(s).

DISCONTINUED

ARHAUS®  
FURNISHING A BETTER WORLD

MILO  
dining collection  
made in INDONESIA



## Artisans use their entire bodies

to weave long pieces of rattan into our intricate Milo Dining Chair. Using centuries-old techniques, natural rattan is steamed and bent

to form the back, legs and seat. Perfect on its own or mix and match with other Arhaus chairs to create an eclectic setting.

### NATURAL WOOD

Each piece will have slightly different shading and grain patterns and due to the nature of a multi-layered finish that is hand-applied by our craftsmen, there will be variation from piece to piece. Some small splits may occur, but will only add to the character. Knots and joint lines are a natural property and add interest but without affecting performance. All natural wood will display movement from season to season because of changes in temperature and humidity.

### HANDCRAFTED QUALITY

Arhaus furniture is made with great care and attention to detail. Our collections are distinctive, designed to bring pleasure to you in your home for years to come. Each piece is handcrafted, made using traditional skills and techniques, and hand-painted, distressed and finished to ensure each item becomes an heirloom in your home.

### RENEWABLE RESOURCES

Arhaus is unique in our commitment to preserving natural resources. Our Corporate Rainforest Policy states that we will not sell merchandise made of timber from the world's endangered rainforests. In all cases, the wood was harvested from renewable resources.

All dimensions can vary slightly due to the hand-built nature of our furniture.

**DISCONTINUED**

**ARHAUS**<sup>®</sup>  
FURNISHING A BETTER WORLD



**Side Chair** 30MILOCHR  
21.25" w x 24" d x 36.5" h

## about this piece

- ▶ Handcrafted in Indonesia using techniques passed down through the generations.
- ▶ Natural rattan is cleaned and sanded before artisans begin.
- ▶ After being steamed, artisans use their hands and legs to bend and weave the rattan into place.
- ▶ A layer of lacquer is added as a final step to preserve the taupe finish.

## recommended care

- ▶ Spills should be removed immediately with a damp cloth.
- ▶ Dust with a soft, dry cloth.
- ▶ Do not drag this piece across the floor.
- ▶ Leaning backwards on two legs may weaken joints.
- ▶ For indoor use only.

# ARHAUS®

your home

# MODENA

DINING COLLECTION | MADE IN ITALY

## DINING TABLE

54" diameter x 30" h

Light 30MDN60RLTKT

Noce 30MDN60RWTKT

seats up to 6

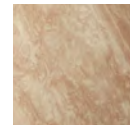


FOR THOSE WHO LOVE CONTEMPORARY LINES AND SLEEK,  
LUXURIOUS MATERIALS.

Our Modena Dining Table is artisan-crafted in Italy from locally sourced travertine in your choice of two stunning shades.

## PRODUCT DETAILS

- + Crafted from locally sourced Italian travertine, honed for a smooth appearance.
- + Coated with clear lacquer to accentuate the stone's natural features.
- + Keep your furniture looking its best. Visit [arhaus.com](https://arhaus.com) or speak to any Arhaus Design Consultant for care recommendations.



FINISHES:

Light





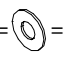

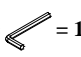
Noce

## NEED HELP?

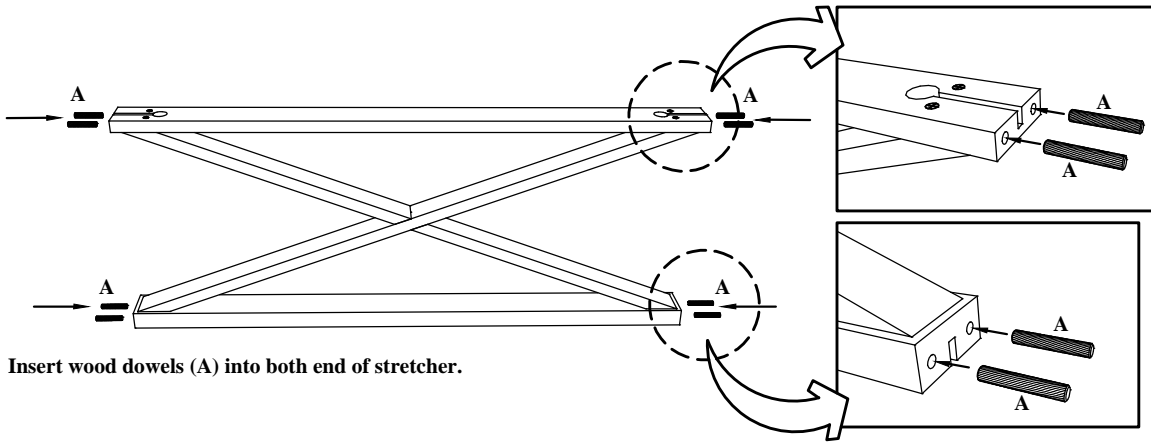
Visit a store, call **866.427.4287**, or **live chat** with our Design Team to learn more.

# Assembling Instruction New Haven Refectory Table (719.535)

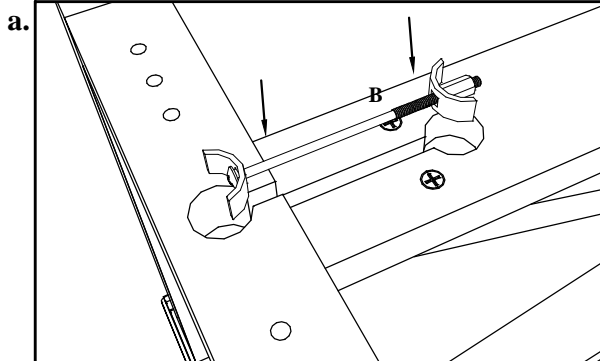
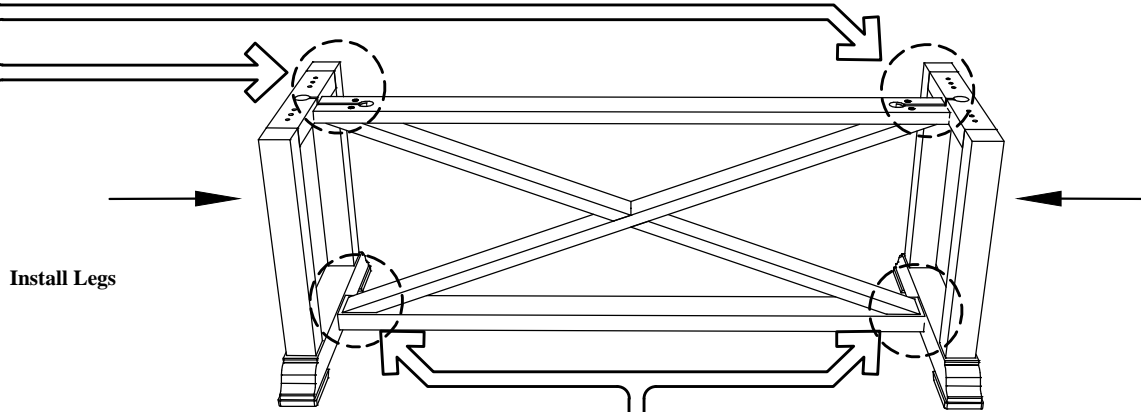
## Hardware

- A =  = 8 Pcs B =  = 4 Pcs C =  = 1 Pc D =  = 8 Pcs E =  = 4 Pcs F =  = 4 Pcs G =  = 1 Pc

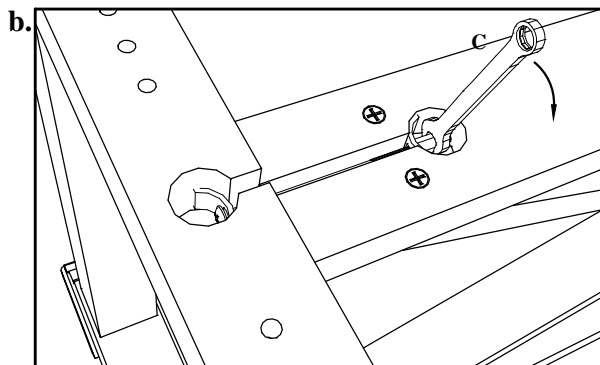
1



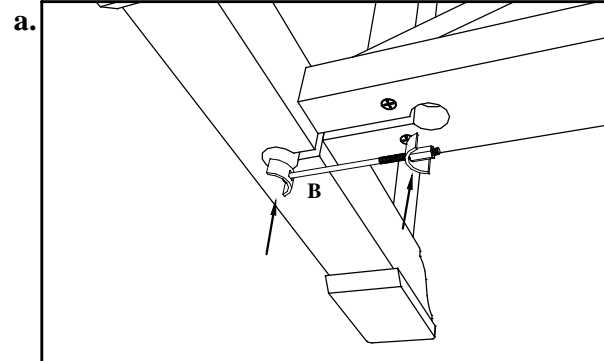
2



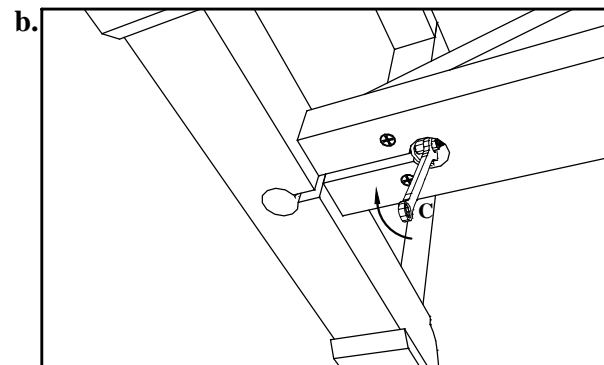
Insert Connector Bolt (B)



Tightened Connector Bolt (B) using wrench (C)

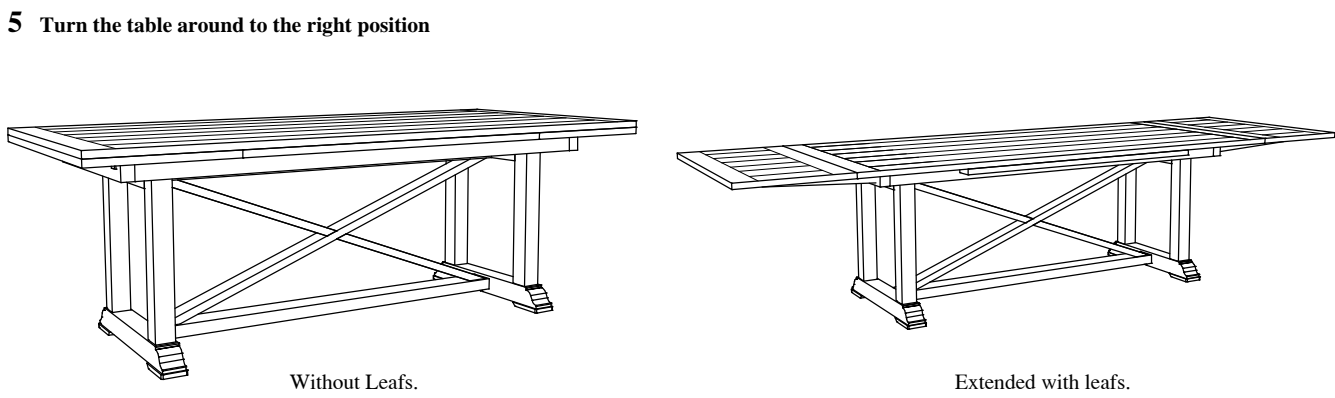
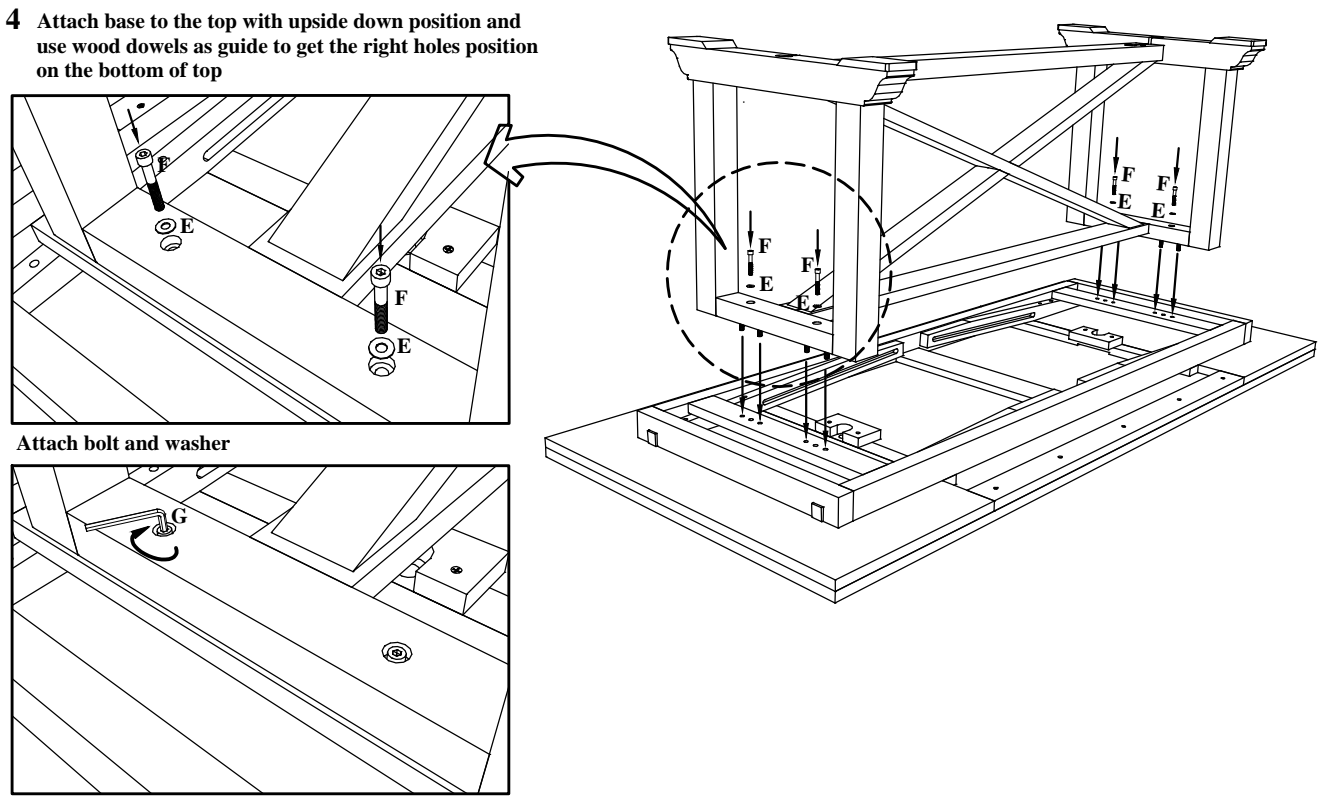
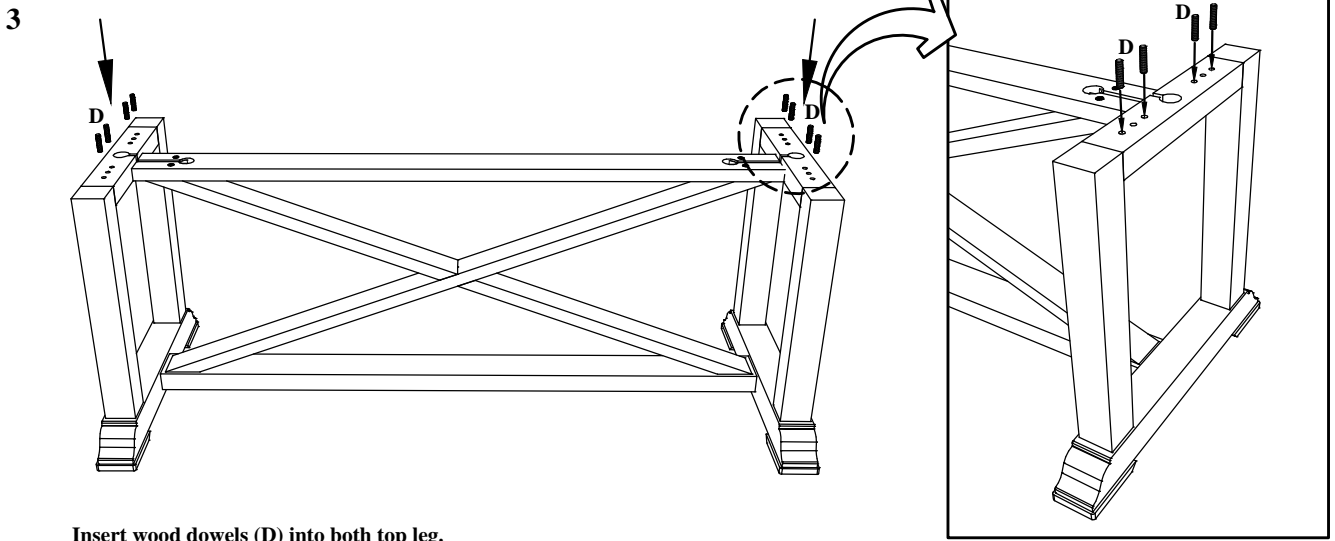


Insert Connector Bolt (B)



Tightened Connector Bolt (B) using wrench (C)

**Assembling Instruction**  
**New Haven Refectory Table (719.535)**



shown in  
Nopo



## ORGANICALLY INSPIRED

Our Nika Dining Collection pairs structured lines with organic textures—carefully arranged to honor the stunning Spalted Oak or Nopo timber used to craft its surfaces. Preserving the wood's natural beauty and detail with artisan-applied finishes and lacquer, this collection celebrates the wood grain's natural variances. Live-edge planks are hand-laid together, allowing their edges to form gaps that are filled by epoxy resin, adding to the collection's overall contemporary style.



### NEED HELP?

Visit a store, call **866.427.4287**, or **live chat**  
with our Design Team to learn more.



shown in  
Spalted Oak



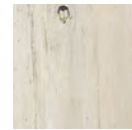
## PRODUCT DETAILS

- + Craftsman-built frames are constructed using solid nopo wood and nopo veneers.
- + Nopo wood is sustainably grown and harvested near the Gulf of Mexico.
- + Nopo is traditionally used in the dance of “Voladores de Papantla”, during which “flying men” jump and swing from 50-foot Nopo poles.
- + Nopo surfaces are bookmatched—formed using four consecutively cut wood veneers. Surfaces are finished with epoxy resin to fill gaps.
- + Nopo wood is gently hand-stained to accentuate its natural characteristics.
- + Craftsman-built frames constructed using a Spalted Oak top feature a Gunmetal steel base.
- + Craftsman-built frames constructed using a Nopo top feature an Antiqued Brass base.
- + Artisans in Mexico sand the Spalted Oak, then bleach it in the sun for the perfect finish.
- + Hand-applied finishes are lacquered with acrylic for added protection and subtle sheen.
- + This collection is artisan-crafted from natural materials with hand-applied finishes. Individual pieces may vary in color, pattern, shape, and texture, making each truly unique.
- + Natural wood may display small splits, knots, joint lines, or other organic features that will not affect the quality or performance of your piece.
- + Dining table seat counts will vary depending on the width of dining chairs. Please double-check the dimensions of your seating before purchase
- + Keep your furniture looking its best. Visit [arhaus.com](http://arhaus.com) or speak to any Arhaus Design Consultant for care recommendations.

## FINISHES:



Nopo



Spalted Oak

# ARHAUS®

your home

# NIKA

DINING COLLECTION | MADE IN MEXICO

shown in  
NoPo

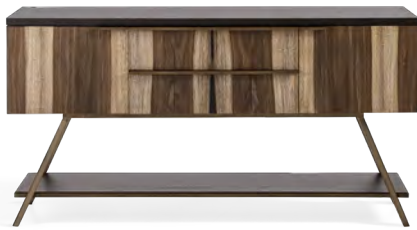


## NOPO DINING TABLE

72" w x 36" d x 30" h  
84" w x 39" d x 30" h  
94.5" w x 43.5" d x 30" h  
70" diameter x 30" h

30NIKA72KT  
30NIKA84KT  
30NIKATBKT  
30NIKA70ORDKT

*Seats up to 6*  
*Seats up to 8*  
*Seats up to 10*  
*Seats up to 10*



## NOPO BUFFET

68" w x 18.5" d x 36" h  
30NIKABUF



## NOPO BAR

36" w x 20" d x 56" h  
30NIKABAR

shown in  
Spalted Oak



SPALTED OAK DINING TABLE

72" w x 36" d x 30" h  
84" w x 39" d x 30" h  
94.5" w x 43.5" d x 30" h  
70" diameter x 30" h

30NKSO72RCKT  
30NKSO84RCKT  
30NKSO94RCKT  
30NKSO70RDKT

*Seats up to 6*  
*Seats up to 8*  
*Seats up to 10*  
*Seats up to 10*



SPALTED OAK BUFFET

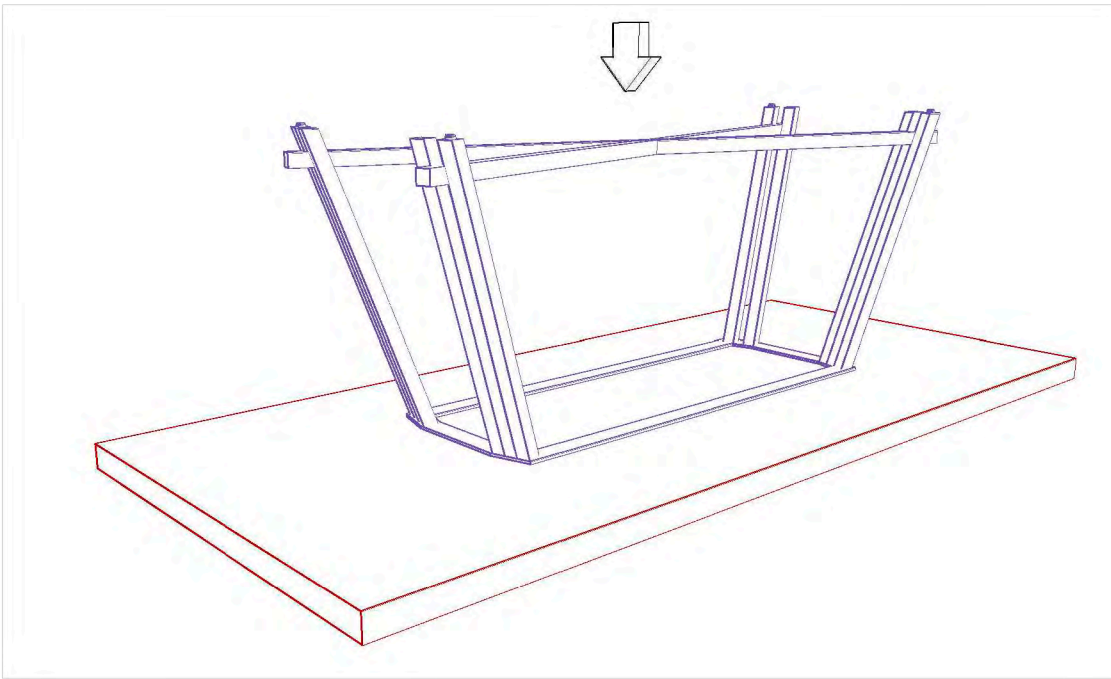
68" w x 18.5" d x 36" h  
30NKSOBUF

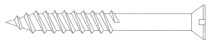


SPALTED OAK BAR

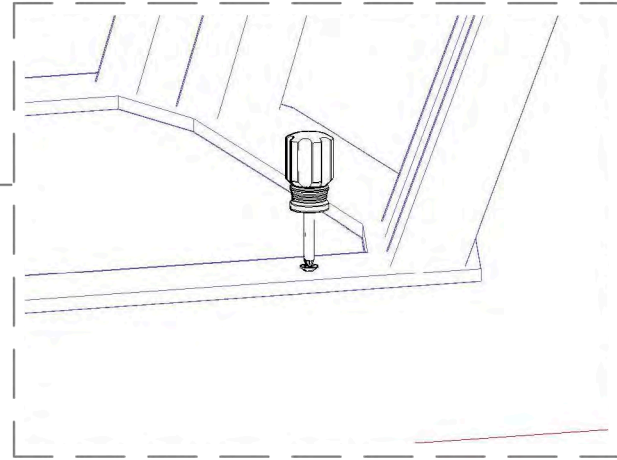
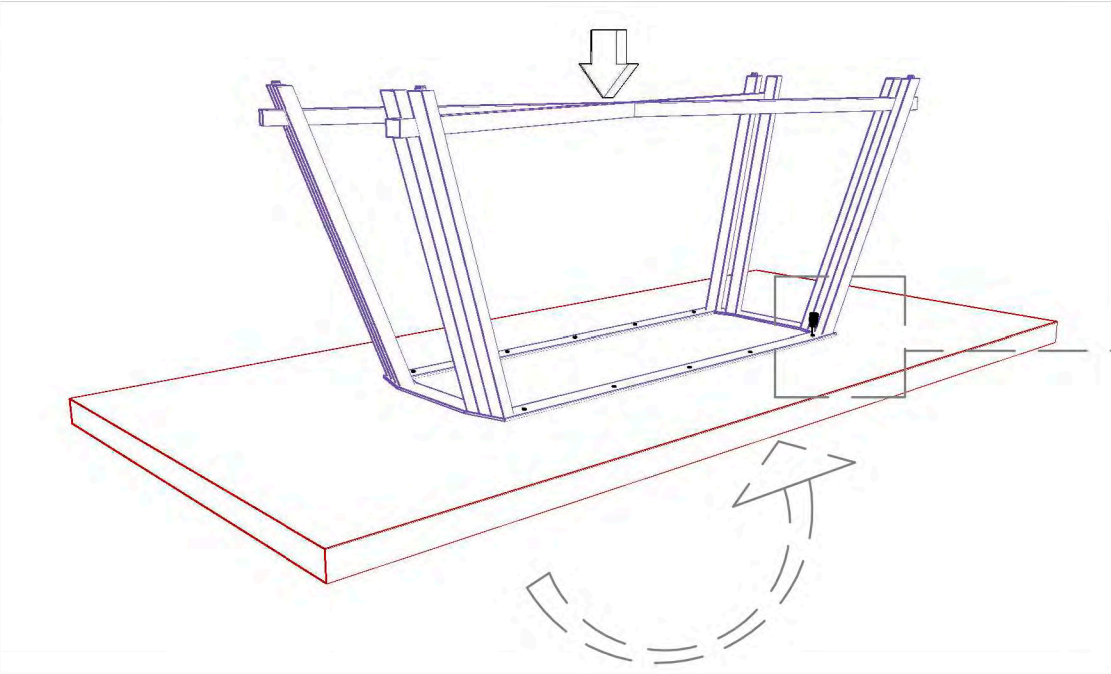
36" w x 20" d x 56" h  
30NKSOBAR

1



1		8
---	---	---

2



# Parts Inventory

Super Category	Product ID	Description	Stat	Collection
DINING	91NIKARNDHDW	NIKA ROUND DINING TABLE HDW ASSEMBLY HARDWARE	A	PT-NIKA



## DELIGHT IN FORMS & TEXTURES INSPIRED BY NATURE

Inspired by the wings of a butterfly, our Noa Dining Chair Collection is craftsman-built from solid oak complemented by rustic, woven rattan. Perfectly sized for kitchen dining spaces, Noa is finished by hand to accentuate the oak wood's natural features.

### PRODUCT DETAILS

- + Frames are craftsman-built from solid oak for lasting strength and stability, complemented by woven rattan backrests.
- + Finished surfaces are sanded, stained by hand, and lacquered for added protection and a subtle sheen.
- + Seat cushion contains dense foam padding for a resilient and relaxing feel.
- + Our sustainably certified Crypton® Nomad Snow Home Performance Fabric is easy to clean, soft, and durable—engineered with stain-, odor-, and moisture-resistant technology in every fiber.
- + Dining Chair seat height measures 19" h.
- + Barstool seat height measures 29" h.
- + Counter Stool seat height measures 23" h.
- + Bench seat height measures 18.5" h.
- + Keep your furniture looking its best. Visit [arhaus.com](https://www.arhaus.com) or speak to any Arhaus Design Consultant for care recommendations.

### CRAFT A CUSTOM LOOK

This collection is available in customizable **Finishes** and **Fabrics**.

Visit a store, call **866.427.4287**, or **live chat** with our Design Team to learn more.

### FABRICS:

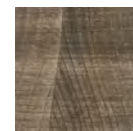


Linen  
Natural\*



Crypton®  
Nomad Snow

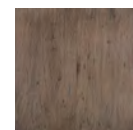
### FINISHES:



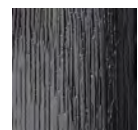
Cinder



Stone  
Vintage\*



Weathered\*



Black Drifted\*

*\*Available by special order.*

# ARHAUS®

your home

# NOA

DINING COLLECTION | MADE IN CHINA

shown in  
Cinder/Nomad Snow



## DINING CHAIR

20" w x 23.75" d x 36" h  
Cinder/Nomad Snow

30NOACDSCNS



## BARSTOOL

20" w x 24.5" d x 46.75" h  
Cinder/Nomad Snow

30NOACDBSNS



## COUNTER STOOL

20" w x 24.5" d x 40.5" h  
Cinder/Nomad Snow

30NOACDCSNS



## BENCH

59.5" w x 23.25" d x 35.25" h  
Cinder/Nomad Snow

IN1FBED\*

\*Available by special order.

# ARHAUS®

your home

## nobelle



### 54" Round Dining Tabletop

54" diameter x 1.5" h  
Umber Brown 30NB54RNDTP  
Weathered Mango 30NB54RDWT  
seats up to 6

### 60" Round Dining Tabletop

60" diameter x 1.5" h  
Umber Brown 30NB60RNDTP  
Weathered Mango 30NB60RDWT  
seats up to 8

### 60" x 38" Rectangular Dining Tabletop

60" w x 38" d x 1.5" h  
Umber Brown 30NB60RECTP  
Weathered Mango 30NB60WTTP  
seats up to 6

### 70" x 38" Rectangular Dining Tabletop

70" w x 38" d x 1.5" h  
Umber Brown 30NB70RECTP  
Weathered Mango 30NB70WTTP  
seats up to 8

### 80" x 40" Rectangular Dining Tabletop

80" w x 40" d x 1.5" h  
Umber Brown 30NB70RECTP  
Weathered Mango 30NB70WTTP  
seats up to 8

## intricate design and natural artistry

A stunning blend of traditional craftsmanship and modern styling, our Nobelle Dining Collection features naturally elegant surfaces inlaid with intricate parquetry. Formed from reclaimed neem-wood or sustainably sourced mango, geometric herringbone patterns are hand-finished with warm stains and lacquer to accentuate each plank's color and natural grain. Nobelle Dining Tables are also complemented by our collection of handcrafted dining bases.

### product details

- ▶ Craftsman-built surfaces feature intricate parquetry stunningly arranged into a herringbone motif.
- ▶ Nobelle dining pieces featuring our Umber Brown finish are built from reclaimed neem wood framed in solid acacia.
- ▶ Neem wood planks are reclaimed from factories and warehouse structures in India.
- ▶ Neem is selected for its strength, durability and natural pest-repelling properties—ideal for furniture building.
- ▶ Nobelle dining pieces featuring our Weathered Mango finish are built from solid, sustainably sourced mango wood.
- ▶ Warm wood finishes are handcrafted to bring out the wood's natural character.
- ▶ Wood surfaces are coated in German lacquer for a subtle sheen and added protection.
- ▶ Nobelle Dining Tables feature solid, hand-forged iron bases that are beautifully hand-pounded and hand-distressed for an aged look.
- ▶ Nobelle Round dining tables are shown with our Wells dining table base. Rectangular dining tables are shown with our Hardyn dining table base.
- ▶ Select from our collection of compatible dining bases to suit your space.
- ▶ Keep your furniture looking its best. Visit [arhaus.com](http://arhaus.com) or speak to any Arhaus Design Consultant for care recommendations.





shown in  
Cushing Snow

shown in  
Nomad Snow



DINING CHAIR

25.5" w X 25.5" d X 32.25" h

Crypton® Nomad Snow  
Crypton® Cushing Snow  
Merino Pearl

30NRHNMSNO  
30NRHCSSNO  
30NRHMRNPRL

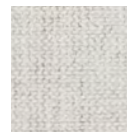
SERVING THE BEST OF BOTH COMFORT AND STYLE

The simple silhouette of our Norah Dining Chair boasts a contemporary aesthetic with clean lines. Featuring sleek, welcoming curves and caster wheels for easy arranging, Norah is upholstered in soft, textured performance fabric to withstand the spills and stains of everyday living.

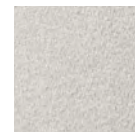
PRODUCT DETAILS

- + Our sustainably certified Crypton® Nomad Snow and Cushing Snow Home Performance Fabrics, as well as our Merino Pearl Performance Fabric, are easy to clean, soft, and durable—engineered with stain-, odor-, and moisture-resistant technology in every fiber.
- + Seat cushions contain dense foam made from partially plant-based material, padded with a blend of sterilized down and feathers.
- + Seat measures 19.25" h.
- + Keep your furniture looking its best. Visit [arhaus.com](http://arhaus.com) or speak to any Arhaus Design Consultant for care recommendations.

PERFORMANCE FABRICS:



Crypton®  
Nomad Snow



Crypton®  
Cushing Snow



Merino Pearl

NEED HELP?

Visit a store, call **866.427.4287**, or **live chat** with our Design Team to learn more.

# ARHAUS®

your home

## oceano



**Dining Chair**  
20" w x 25" d x 41" h  
30OCEANOKT

## from tranquil coasts, where sun meets sand

Inspired by the seaside homes of Cape Cod, the natural beauty of our Oceano Dining Chairs will transport you to your own beach haven. Expertly woven natural rattan enfolds a sturdy frame made of Indonesian mango hardwood. The curved back cradles your silhouette, while a cotton twill cushion adds comfort for hours of relaxation. This timeless, casual style is ideal for a cozy retreat, but the craftsmanship and quality materials will ensure that this chair will last for generations in your home.

### product details

- ▶ Dining chairs are covered in unstained, expertly woven Kubu, a natural rattan material, which features unique coloring.
- ▶ Chair frames are craftsman-built from solid mango wood.
- ▶ A clear lacquer topcoat is applied for added protection and a subtle sheen.
- ▶ Seat cushions consist of comfortable, fire-retardant foam.
- ▶ Due to the nature of the materials used and the artisan-crafted finishes applied to our wood collections, some finishes may vary in color, pattern, and texture, making each piece unique.
- ▶ Wood furnishings may also display small splits, knots, joint lines, or other natural features. These markings are normal and will not affect the performance of your piece.
- ▶ Due to changes in temperature or humidity, wood furnishings may display slight movement from season to season.



shown in  
Honey Pumpkin



BARSTOOL

19" w x 22" d x 40" h; 30" seat height  
Honey Pumpkin 300STEHONYBS  
Black Coffee 300STEBLKBS

shown in  
Black Coffee



COUNTER STOOL

19" w x 22" d x 33.5" h; 24" seat height  
Honey Pumpkin 300STEHONYCS  
Black Coffee 300STEBLKCS

HANDSOMELY HANDCRAFTED

A modern update to classic bistro seating, our Oeste collection is expertly crafted by our artisan partners in Mexico. Stools and dining chairs formed from organically finished leather are hand-sewn into comfortably contoured seats. And, long-lasting wrought iron chair frames are hand-hammered and naturally finished—adding contrasting texture and incredible durability to an already stunning design.

PRODUCT DETAILS

- + Craftsman-built by Mexican furniture artisans, chairs seats are expertly formed from hand-sewn leather, featuring an artfully applied organic, dyed finish.
- + Wrought iron chair frames are hammered by hand for added texture and finished with a natural, black patina.
- + Counter stool seats measure 24" h.
- + Barstool seats measure 30" h.
- + Keep your furniture looking its best. Visit [arhaus.com](http://arhaus.com) or speak to any Arhaus Design Consultant for care recommendations.

LEATHERS:



Honey  
Pumpkin



Black Coffee

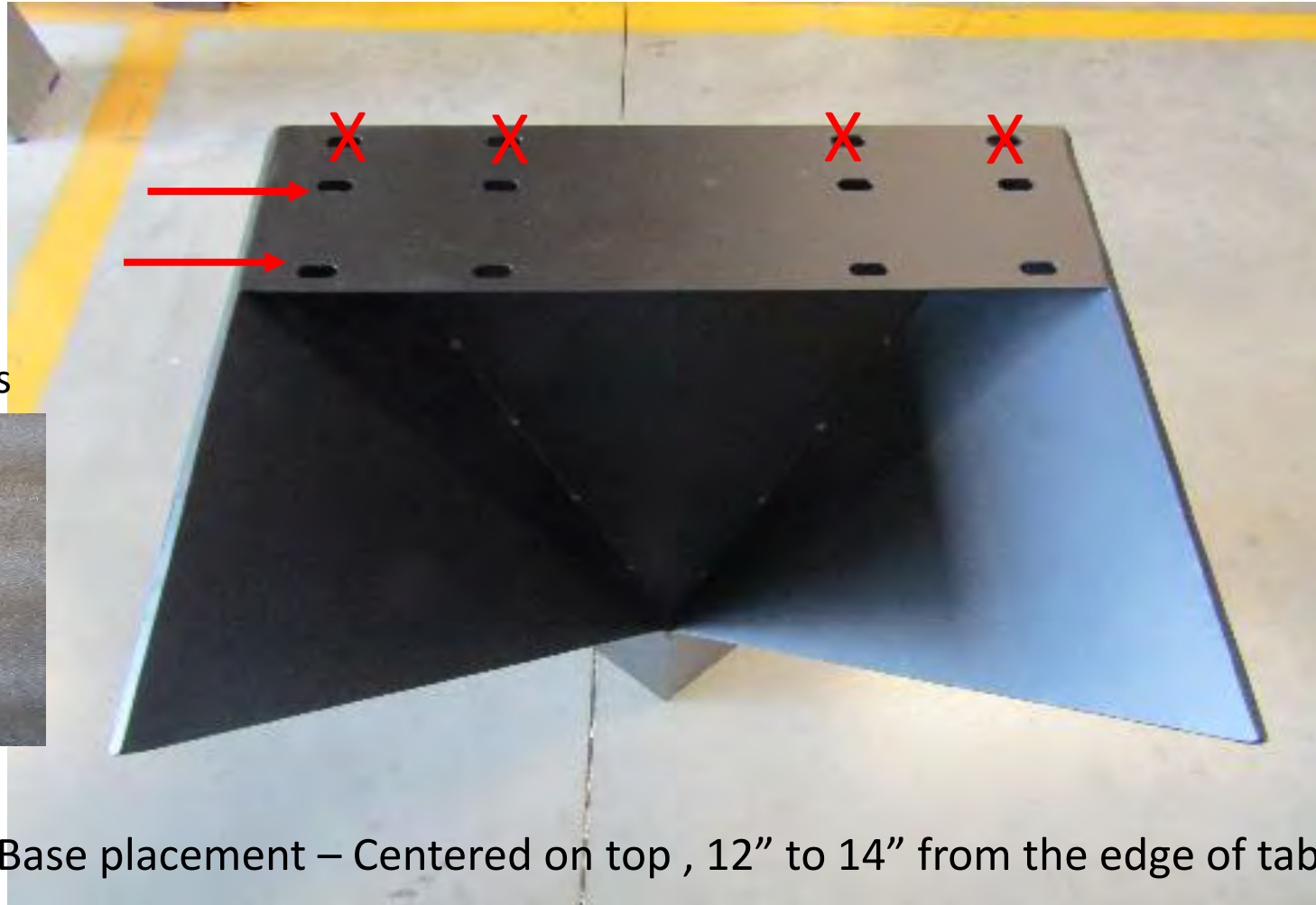
NEED HELP?

Visit a store, call **866.427.4287**, or **live chat** with our Design Team to learn more.

## Origami base Assembly

Screws should only be installed in the first two rows of holes. Screws on the outer edge will need to be installed at a slight angle.

(Screw holes for solid wood tables should be predrilled prior to assembly)



Each base uses 8 screws

Base placement – Centered on top , 12” to 14” from the edge of table

# ARHAUS®

your home

## oscar



### Armchair

24.25" w x 27.5" d x 36.25" h; arms measure 25.2" h

Coba Jeans 30OSCRARMCJS

Zona Jeans 30OSCRARMZJS

Coba Sand 30OSCRARMCSS

Zona Sand 30OSCRARMZSS

### Fabrics:



Coba  
Jeans

Zona  
Jeans

Coba  
Sand

Zona  
Sand

## clean, modern, and comfortable,

our pillow-back Oscar dining chairs accentuate any casual dining space with a nautically inspired aesthetic—featuring chic stripes decorating charming, textural fabrics. Backrests and chair seats are generously padded for a relaxing, “sink-into” feel. A network of resilient, heavy-duty elastic webbing sustains seat cushions for lasting support. And, convenient casters at the base of each chair leg provide easy movement around guests and dining tables.

### product details

- ▶ Craftsman-built chair frames are constructed from solid, reinforced hardwood for lasting strength and superior stability.
- ▶ Chair seats are sustained by a network of heavy-duty elastic webbing for resilient comfort and support.
- ▶ Backrests and seat cushions are generously padded for relaxing “sink-into” comfort.
- ▶ Chair legs sit on casters for easy movement.
- ▶ Dining chair seats measure 20.8" h; arms measure 25.2" h.
- ▶ Keep your furniture looking its best. Visit [arhaus.com](http://arhaus.com) or speak to any Arhaus Design Consultant for care recommendations.



## DINING PARTS SKUS

CATEGORY	SKU	DESCRIPTION	STATUS	COLLECTION	ROUTE
DINING	91OSCRCASTOR	OSCAR CHAIR CASTOR/SCREW QTY 1 ALL FABRICS	A	PT-OSCAR	PART

# ARHAUS®

your home

## ostuni



**Credenza**  
98.5" w x 25.25" d x 44.5" h  
POSUCRS



**Buffet**  
68" w x 24" d x 44" h  
POSU2DS

\*All Bell'Arte dining pieces are made to order.

## a true masterpiece

Centuries-old woodworking techniques are used to craft every exquisite detail of our exclusive Bell'Arte collection. Handcrafted to order in a region of Italy renowned for its furniture-making, our dedicated artisans treat each unique piece like a work of art. Cabinetry is built from solid tulip wood and masterfully finished by hand, combining layers of stain, paint, and lacquer—a process which takes over three days to complete per piece. Inspired by the Italian city of Ostuni, “La Città Bianca” (The White Town), our Ostuni Credenza and Buffet incorporate style elements reflecting traditional Italian architecture.

### product details

- ▶ As with the rest of our Arhaus-exclusive Bell'Arte Collection, these pieces are handcrafted in a region of Italy renowned for its furniture-making.
- ▶ Craftsman-built from tulip wood—a wood prized in the making of fine furniture.
- ▶ Antique Vernicatio Bianco white finishes are hand-applied. Layered stain, paint are slightly aged and lacquered, resulting in a timeworn appearance with elegant detailing.
- ▶ Italian artisans meticulously carve all details by hand, making each piece truly one-of-a-kind.
- ▶ Cabinetry features antiqued brass hardware to complement elegant finishes and detailing.
- ▶ Credenzas feature a hidden compartment for secret and convenient storage.
- ▶ After the finishing process, which takes three days to complete, the artisans sign “Hand-painted in Italy” in Italian and date their work.
- ▶ **If you wish, the artisans can specially customize your Bell'Arte piece by hand-painting your name (up to three words) on the underside for no additional cost.** Visit your local store or call to order.



# ARHAUS®

your home

## personalization form

\* If you wish, the artisans can specially customize your Bell'Arte piece by hand-painting your name (up to three words) on the underside for no additional cost.

---

### personalized description

\*The personalization can include up to 3 words. No symbols or characters. This should be hand written in all caps.

Print Name:

---

Signature of Applicant:

Date:

---

---



# DINING PARTS SKUS

Super Category	Product ID	Description	Collection	Route
DINING	91OSTUNIKEY	OSTUNI KEY WHITE KEY-ALL SIZES	PT-OSTUNI	PART
DINING	91OSTULGLCK	OSTUNI LARGE LOCK-FRONT DOOR LARGE LOCK FRONT DOOR	PT-OSTUNI	PART
DINING	91OSTNSLATLG	OSTUNI SHELF SLAT LARGE CENTRAL DOOR SHELF SLAT	PT-OSTUNI	
DINING	91OSTNSLATSM	OSTUNI SHELF SLAT SMALL SIDE DOOR SHELF SLAT	PT-OSTUNI	
DINING	91OSTUSMLCK	OSTUNI SMALL LOCK-SIDE DOOR SML LOCK SIDE DOOR, ONLY OSTUN	PT-OSTUNI	PART

DINING TABLE

24.5" w x 26.5" d x 33.5" h

54" diameter x 29" h

30PLT54RBNTB

seats up to 6

60" diameter x 29" h

30PLT60RBNTB

seats up to 10



EXCEPTIONAL CRAFTSMANSHIP IS SERVED

Combining a unique, reeded pedestal base with the clean lines of a rounded tabletop, our Paleta Dining Table is crafted for standout style and hours of gathering together.

PRODUCT DETAILS

- + Crafted from solid oak and oak veneers with a hand-applied, rich brown finish.
- + Coated with clear lacquer to accentuate the wood's natural features.
- + Keep your furniture looking its best. Visit [arhaus.com](https://arhaus.com) or speak to any Arhaus Design Consultant for care recommendations.

FINISH:



Umber Brown

NEED HELP?

Visit a store, call **866.427.4287**, or **live chat** with our Design Team to learn more.



## INSPIRED BY THE BEAUTY OF NATURE

our Panta Dining Collection is handcrafted by expert artisans from sustainably sourced Romanian oak. Simple lines and a hand-stained finish celebrate every unique detail.

### PRODUCT DETAILS

- + Hand-stained finish is polished, sanded, and coated with acrylic lacquer to accentuate the wood's natural features.
- + Natural wood may vary in color, pattern, shape, and texture, displaying small splits, knots, joint lines, or other features.
- + Wood surfaces reflect care and use, developing unique details over time that add one-of-a-kind character.
- + Keep your furniture looking its best. Visit [arhaus.com](https://arhaus.com) or speak to any Arhaus Design Consultant for care recommendations.

### FINISH:



Cafea Oak



DINING TABLE

72" w x 38" d x 30" h	30PANTA72KT	seats up to 6
86" w x 38" d x 30" h	30PANTA86KT2	seats up to 8
100" w x 38" d x 30" h	30PANTA100KT2	seats up to 10
118" w x 38" d x 30" h	30PANTA118KT	seats up to 12



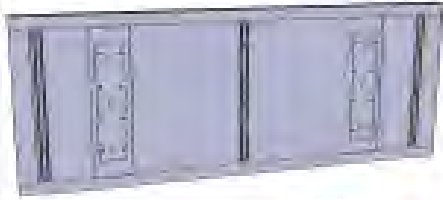
BENCH

66" w x 16" d x 18" h	30PANTA66BKT	seats up to 3
80" w x 16" d x 18" h	30PANTA80BKT	seats up to 4
94" w x 16" d x 18" h	30PANTA94BKT	seats up to 4

ADDITIONAL DIMENSIONS

For the 72" Table, the distance between legs is 33.5" at the top and 43.7" at the floor  
For the 86" Table, the distance between legs is 47.8" at the top and 57.8" at the floor  
For the 100" Table, the distance between legs is 56.5" at the top and 66.5" at the floor  
For the 118" Table, the distance between legs is 68.7" at the top and 78.7" at the floor

# Assembly instruction - PANTA Table



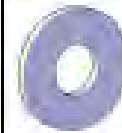
1 Pcs.



2 Pcs.

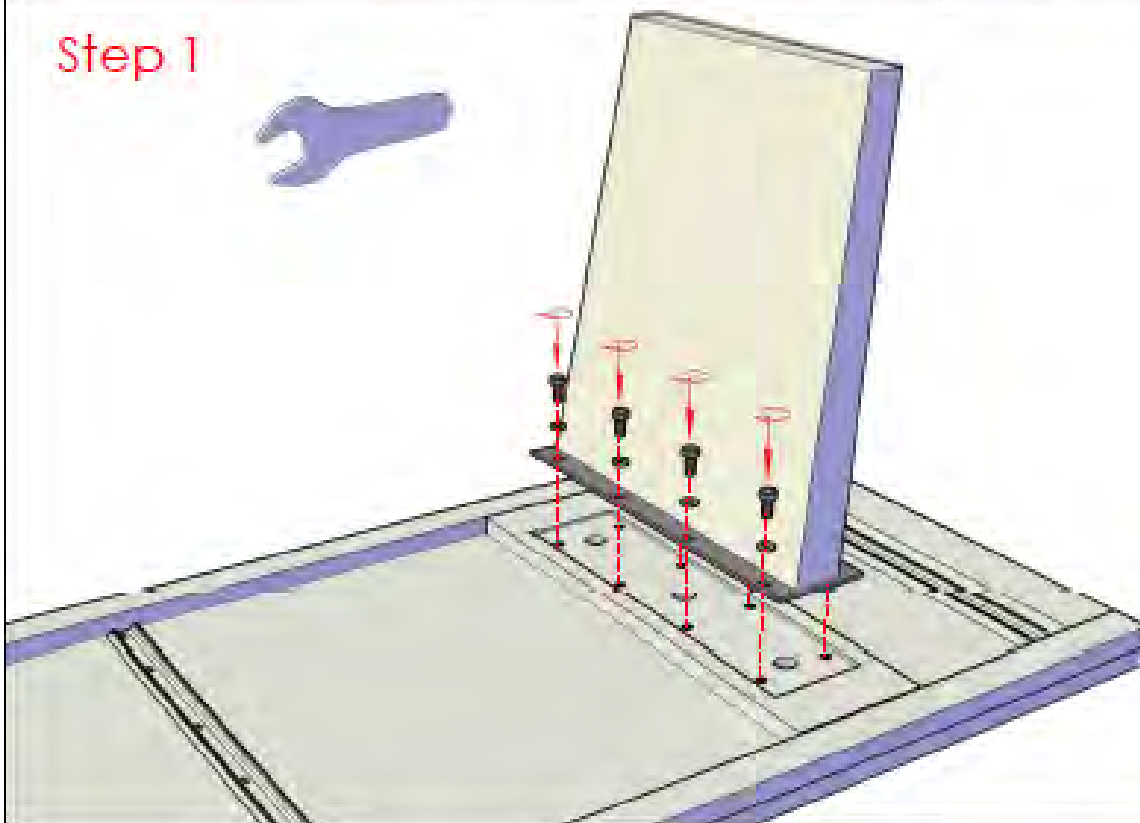


M8 x 25 mm  
16 Pcs.



O8 x 24 mm  
16 Pcs.

Step 1



Final

## DINING PARTS SKUS

CATEGORY	SKU	DESCRIPTION	STATUS	COLLECTION	ROUTE
DINING	91PANTHRDW	PANTA TABLE ASSEMBLY HARDWARE 86" AND 100" ASSEMBLY HARDWARE	A	PT-PANTA	PART



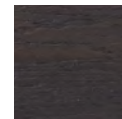
## SIMPLE YET ICONIC

Parsons' modernist design, defined by clean lines and square angles, is built from solid, hand-cut oak wood and oak veneers. Surfaces finished over a six-hour process allow hand-applied color to fully penetrate the wood's thickness, accentuating the oak's naturally unique features.

### PRODUCT DETAILS

- + Craftsman-built from solid Romanian oak—sustainably harvested by our artisans' family—cut from locally grown trees up to 250 years old.
- + Finish may change over time. Natural wood may display small splits, knots, joint lines, or other organic features, adding unique character to each piece.
- + Keep your furniture looking its best. Visit [arhaus.com](https://arhaus.com) or speak to any Arhaus Design Consultant for care recommendations.

### FINISH:



Abanos



72" DINING TABLE

72" w x 40" d x 31" h  
30PRSA72TBKT

*Seats up to 6.*

84" DINING TABLE

84" w x 40" d x 31" h  
30PRSA84TBKT

*Seats up to 8.*



47" DINING BENCH

47.25" w x 15" d x 19" h  
30PRSA47BNKT

*Seats up to 2.*

70" DINING BENCH

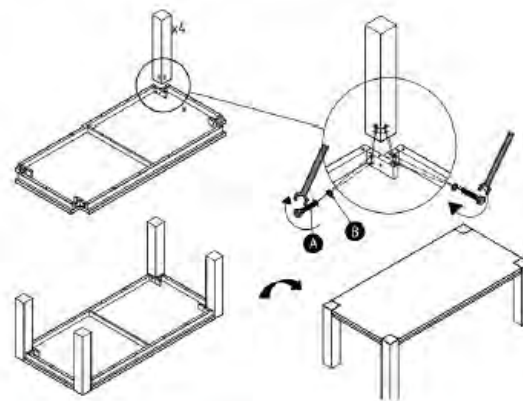
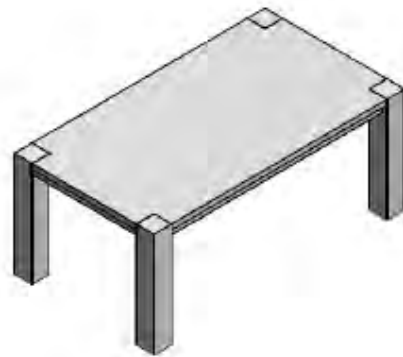
70" w x 15" d x 19" h  
30PRSA70BNKT

*Seats up to 3.*



## English

This page list the contents included in the box. Please take time to identify the hardware as well as individual components of the products. As you unpack and prepare for assembly, place the contents on a carpeted or padded area to protect them from damage. Please follow the assembly instruction closely. Improper assembly can result in personal or property damage.



It is absolutely necessary for the table to be mounted on a straight plane .

If after mounting the table between the top and the foot remain a little space, this can be adjusted by unscrewing the screw - adjusting the foot and screwing the screw again.



not included

A

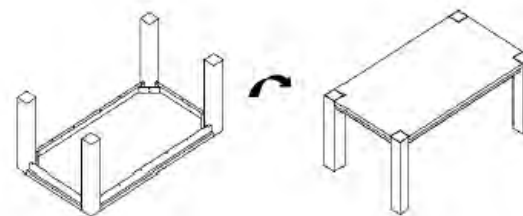
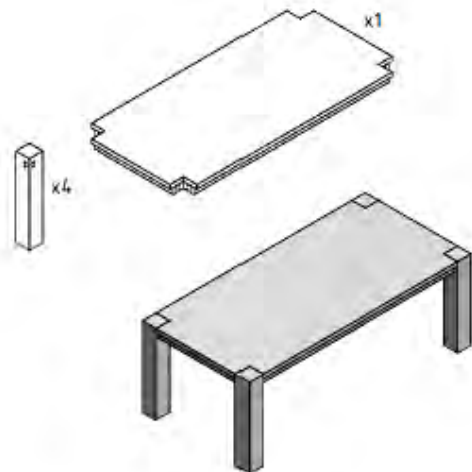


x16  
M8x50 Screw

B



x16  
Plain Washer



Clean surfaces with a dry or damp soft cloth. Do not use abrasive cleaners. Do not use furniture wax or polish.

# Parts Inventory

Product ID	Description	Stat
91PRSBCHDWR	PARSONS BENCH HRDW BENCH, QTY. 1	A
91PARSONBCFT	PARSONS FEET PAD BENCH BENCH	A
91PARSONSFT	PARSONS FEET PAD TABLE TABLE	A
91PRSTBHDWR	PARSONS TABLE HRDW TABLE, QTY. 1	A

# ARHAUS®

your home

## pavia



### Round Dining Table

42" diameter x 31" h  
48" diameter x 31" h  
54" diameter x 31" h  
60" diameter x 31" h  
71" diameter x 31" h

30PAVIA42KT  
30PAVIA48KT  
30PAVIA54KT  
30PAVIA60KT  
30PAVIA71KT

Seats up to 3.  
Seats up to 4.  
Seats up to 6.  
Seats up to 8.  
Seats up to 10.

### Rectangular Dining Table

78" w x 44" d x 31" h; extends to 118" w 30PAVIA78KT seats up to 10  
86" w x 44" d x 31" h; extends to 126" w 30PAVIA86KT seats up to 12  
94" w x 44" d x 31" h; extends to 134" w 30PAVIA94KT seats up to 14

\*All Bell'Arte dining pieces are made to order.

### your style your way

Craft a custom design that tells your style story.

This collection is available in special-order **finishes, and more.**

Ask in store or call **866.427.4287**

## a true masterpiece

Centuries-old woodworking techniques are used to craft every exquisite detail of our exclusive Bell'Arte collection. Handcrafted to order in a region of Italy renowned for its furniture-making, our dedicated artisans treat each unique piece like a work of art. Dining tables are built from solid poplar wood and masterfully finished by hand, combining layers of stain, paint, and lacquer—a process which takes over three days to complete per piece. Our Pavia dining tables feature a rich, dark finish accented with subtle hand-painted detailing to create a dramatic, timeless aesthetic that will stand out in any dining space.

### product details

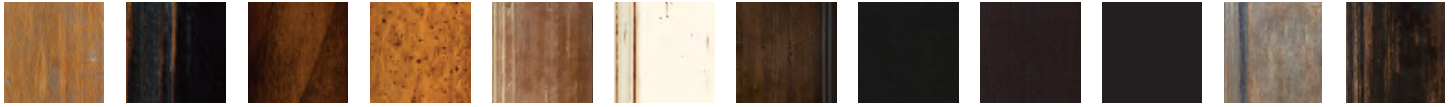
- ▶ As with the rest of our Arhaus-exclusive Bell'Arte Collection, these pieces are handcrafted in a region of Italy renowned for its furniture-making.
- ▶ Craftsman-built from poplar wood—a wood prized in the making of fine furniture.
- ▶ Rich, dark finishes accented with subtle hand-painted detailing creates a dramatic, timeless aesthetic.
- ▶ Italian artisans meticulously carve all details by hand, making each piece truly one-of-a-kind.
- ▶ After the finishing process, which takes three days to complete, the artisans sign "Hand-painted in Italy" in Italian and date their work.
- ▶ This collection is artisan-crafted from natural materials with hand-applied finishes. Individual pieces may vary in color, pattern, shape, and texture, making each truly unique.
- ▶ Natural wood may display small splits, knots, joint lines, or other organic features that will not affect the quality or performance of your piece.
- ▶ Furniture made from natural wood may move slightly due to temperature and humidity. This is normal and should be expected from season to season.
- ▶ *If you wish, the artisans can specially customize your Bell'Arte piece by hand-painting your name (up to three words) on the underside for no additional cost*
- ▶ Keep your furniture looking its best. Visit [arhaus.com](http://arhaus.com) or speak to any Arhaus Design Consultant for care recommendations.



# ARHAUS®

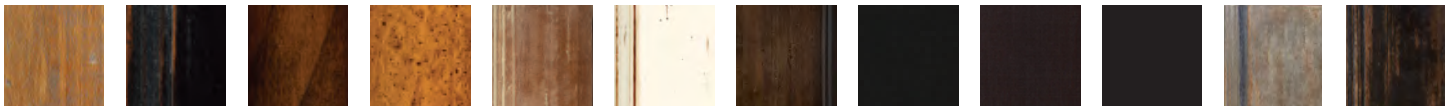
your home

Rectangular Dining Table |  78" w x 44" d x 31.5" h, extends to 118" w |  86" w x 44" d x 31.5" h, extends to 126" w |  95" w x 44" d x 31.5" h, extends to 134" w



Antique Camel    Rubbed Black    Cantina Bassano    Old English Walnut    Verona    Rubbed Ivory    Noceto    Solid Black    Espresso    Marrone Coreccia    \*Fontaine Blue    \*Worn Black  
(Image not available)

Round Dining Table |  42" diameter x 31" h |  48" diameter x 31" h |  54" diameter x 31" h |  60" diameter x 31" h |  71" diameter x 31" h



Antique Camel    Rubbed Black    Cantina Bassano    Old English Walnut    Verona    Rubbed Ivory    Noceto    Solid Black    Espresso    Marrone Coreccia    \*Fontaine Blue    \*Worn Black  
(Image not available)

before we can place your order, we need to make sure that you agree with the following statements.

please initial each box below to indicate your agreement.

◀ I have selected the above specifications for my order. Images are shown to indicate general color tones but should not be used for color matching.

◀ I understand that if I cancel this order at any time I forfeit my delivery fee and 50% of the item purchase price.

◀ I understand that my selections are special order and will take up to 16 weeks for production. Please allow additional time for delivery.

◀ I've measured my doorways, stairways and entryways to make sure my furniture can be placed in the appropriate room.

customer name: \_\_\_\_\_

*Please sign below to acknowledge your understanding and agreement.*

customer signature: \_\_\_\_\_

order no.: \_\_\_\_\_ date: \_\_\_\_\_

design consultants: please email this form to [specialorder@arhaus.com](mailto:specialorder@arhaus.com)

# ARHAUS®

your home

## personalization form

\* If you wish, the artisans can specially customize your Bell'Arte piece by hand-painting your name (up to three words) on the underside for no additional cost.

---

### personalized description

\*The personalization can include up to 3 words. No symbols or characters. This should be hand written in all caps.

Print Name:

---

Signature of Applicant:

Date:

---

---



1.



2.



3.



4.

- 1) Open the table box on the reverse side, keep the table top facing down inside original packing and lay it on the floor.
- 2) Unpack the table base and fix the stretcher to the two pedestal as show in above pictures
- 3) In a plastic bag fixed to the pedestal you will find the assembling hardware: metal washers and screw.  
Insert screws in washer and tight them with a screwdriver.
- 4) Turn the table to normal position.

1. Open the table top box on the reverse side- keep the table top facing down inside original packing and lay it on the floor
2. Unpack the table base and put it next to the top: both top and base are marked with an A. Set the base on the table top matching the two "A".
3. Place the base exactly in the perimeter of template you will find on the back of the table top.
4. In a plastic bag fixed to the pedestal you will find the assembling hardware: 16 metal washers and screws (8 washers+8 screws)



5. Insert screws in washers and tight them with a screwdriver.
6. Turn the table to normal position.
7. Should the table be unlevelled on the floor, adjust the 4 levellers under base by loosing or tightening them by hand as needed



shown in  
Burnham Camel



DINING CHAIR

21.75" w x 23.25" d x 33.25" h; seat height: 19"

Burnham Camel	30PELBCMLSCH
Burnham Graphite	30PELBGRPSCH
Burnham Taupe	30PELTPESCH

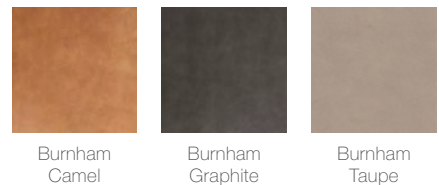
FULLY WRAPPED IN SUMPTUOUS, SOUTH AMERICAN LEATHER

Our artisan-crafted Pelle Dining Chair brings sophisticated seating to any table. Selected from the best hides in the world, our aniline-dyed leather is finished by hand to bring out every organic detail.

PRODUCT DETAILS

- + Our aniline-dyed leathers are hand-finished to accentuate their natural color and texture, while preserving the natural features that make each chair unique.
- + Craftsman-built frames are constructed using solid, reinforced hardwood for lasting strength and stability.
- + Seat and backrest contain dense foam made from partially plant-based material, padded with poly fibers.
- + Seat height measures 19" h.
- + Keep your furniture looking its best. Visit [arhaus.com](http://arhaus.com) or speak to any Arhaus Design Consultant for care recommendations.

LEATHERS:



NEED HELP?

Visit a store, call **866.427.4287**, or **live chat** with our Design Team to learn more.





DINING TABLE

72" w X 40" d X 30" h  
seats up to 6

30PRTH72AB

86" w X 40" d X 30" h  
seats up to 8

30PRTH84AB

96" w X 40" d X 30" h  
seats up to 10

30PRTH96AB

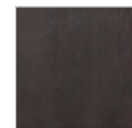
AN ASYMMETRICAL, SCULPTURAL MASTERPIECE

A true room-anchoring piece for any dining space, our Perth Collection combines meticulous craftsmanship with clever design. With soft, rounded edges, and a touch of asymmetry, this stunning table has a distinguished presence. Built by a family of artisans using hand-cut solid Romanian oak with oak veneers, every Perth piece is uniquely one of a kind.



PRODUCT DETAILS

- + Craftsman-built from solid wood with alternating layers of oak, ash, and spruce—sustainably harvested by our Romanian artisans' family—cut from locally grown trees.
- + Each table involves an extensive four-step hand-finishing process that takes two days to complete.
- + Finish may change over time. Natural wood may display small splits, knots, joint lines, or other organic features, adding unique character to each piece.
- + Keep your furniture looking its best. Visit [arhaus.com](http://arhaus.com) or speak to any Arhaus Design Consultant for care recommendations.



FINISH:  
Abanos

NEED HELP?

Visit a store, call **866.427.4287**, or  
**live chat** with our Design Team to  
learn more.

# ARHAUS®

your home

## petra natural petrified wood



### Round Dining Table

54" diameter x 30" h 30PETRA54KT seats up to 6  
60" diameter x 30" h 30PETRA60KT seats up to 8  
72" diameter x 30" h 30PETRA72KT seats up to 10  
*round tabletops are 3" thick*



### Rectangular Dining Table

74" w x 38" d x 30" h 30PETREC74KT seats up to 6  
86" w x 40" d x 30" h 30PETRARECKT seats up to 8  
96" w x 40" d x 30" h 30PETREC96KT seats up to 10  
*rectangular tabletops are 2" thick*



### Server

65" w x 20" d x 36" h  
30PTNTSVKT

## a dramatic showstopper thousands of years in the making.

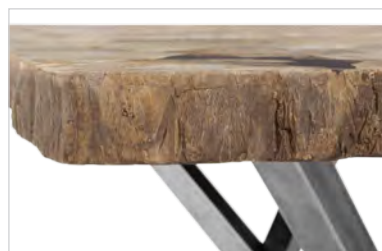
Our Petra Dining Collection is constructed with rare, naturally sourced materials, which showcase distinct, varying color and texture, making each piece a true one-of-a-kind.

### petrified wood

Petrified wood dining pieces are made using veneers cut from lengths of fossilized trees, which were buried under layers of mud and ash for untold years. These fossilized trees were hand-selected from the grounds of the volcanic central Philippines for their unique color and texture. Each stone slice boasts shades of brown and black accentuated by the wood's natural grain. These slices are buffed and polished to a smooth, mirror finish, resulting in absolutely stunning surfaces.

### product details

- ▶ Handcrafted petrified wood surfaces are assembled using petrified wood veneers and wood.
- ▶ Our petrified wood is complemented by artisan-finished iron, featuring an antiqued, dark grey patina.
- ▶ Stone surfaces are buffed and polished to accentuate their natural coloring.
- ▶ Hand-picked materials are sustainably sourced in compliance with Philippine Environmental Regulations.
- ▶ Featuring elegant variations in color, pattern, shape, and texture, natural stone surfaces are as beautiful to look at as they are durable.
- ▶ Furnishings may display small splits, joint lines, or other organic features. These markings are normal and will not affect the performance of your piece.
- ▶ Furniture made from natural materials may move slightly as temperature and humidity cause the materials to expand and contract. This is normal and should be expected from season to season.
- ▶ Keep your furniture looking its best. Visit [arhaus.com](http://arhaus.com) or speak to any Arhaus Design Consultant for care recommendations.



petra | dining collection | made in the Philippines

Dimensions may vary slightly. Please ensure furnishings fit through interior structures and into desired space before purchase.

# ARHAUS®

your home

## petra century marble



### Round Dining Table

54" diameter x 30" h 30PETWHT54KT seats up to 6  
60" diameter x 30" h 30PETWHT60KT seats up to 8  
72" diameter x 30" h 30PETWHT72KT seats up to 10  
*round tabletops are 3" thick*



### Rectangular Dining Table

74" w x 38" d x 30" h 30PETWHRC74KT seats up to 6  
86" w x 40" d x 30" h 30PETWHRECKT seats up to 8  
96" w x 40" d x 30" h 30PETWHRC96KT seats up to 10  
*rectangular tabletops are 2" thick*



### Server

65" w x 20" d x 36" h  
30PTWHSVKT

## a dramatic showstopper thousands of years in the making.

Our Petra Dining Collection is constructed with rare, naturally sourced materials, which showcase distinct, varying color and texture, making each piece a true one-of-a-kind.

### century marble

Our white stone dining pieces are crafted using rare century marble—found in remote locations in the Philippine archipelago. Highly valued for its contrasting, golden mineral streaks and veins, this ivory-colored marble is the result of an uncommon geological occurrence, in which tremendous pressure fractures the rock, allowing other minerals to fill the resulting voids. Finished surfaces are polished and lacquered to preserve and accentuate the natural color variations found in this unique stone.

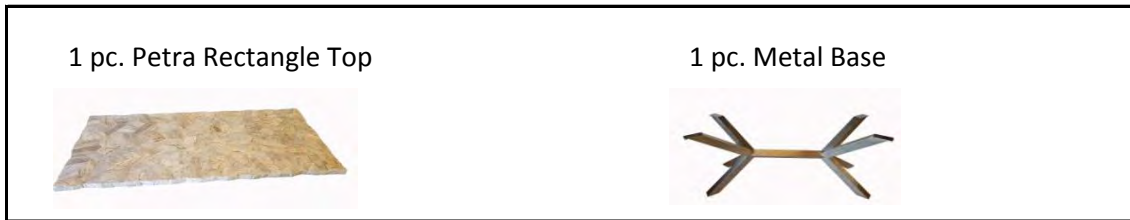
### product details

- ▶ Handcrafted marble surfaces are assembled using century marble veneers and wood.
- ▶ Our century marble is complemented by artisan-finished iron, featuring our Caribbean Gold patina.
- ▶ Stone surfaces are buffed and polished to accentuate their natural coloring.
- ▶ Hand-picked materials are sustainably sourced in compliance with Philippine Environmental Regulations.
- ▶ Featuring elegant variations in color, pattern, shape, and texture, natural stone surfaces are as beautiful to look at as they are durable.
- ▶ Furnishings may display small splits, joint lines, or other organic features. These markings are normal and will not affect the performance of your piece.
- ▶ Furniture made from natural materials may move slightly as temperature and humidity cause the materials to expand and contract. This is normal and should be expected from season to season.
- ▶ Keep your furniture looking its best. Visit [arhaus.com](http://arhaus.com) or speak to any Arhaus Design Consultant for care recommendations.



# Assembly Instruction for Petra Rectangle Dining Table

## PARTS LIST

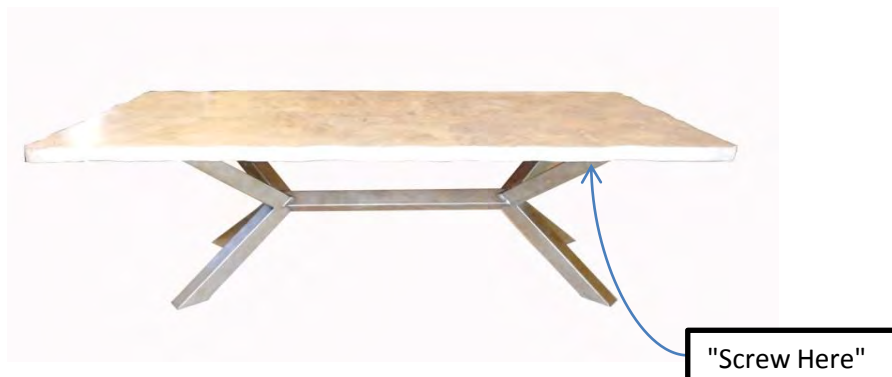


## HARDWARE LIST

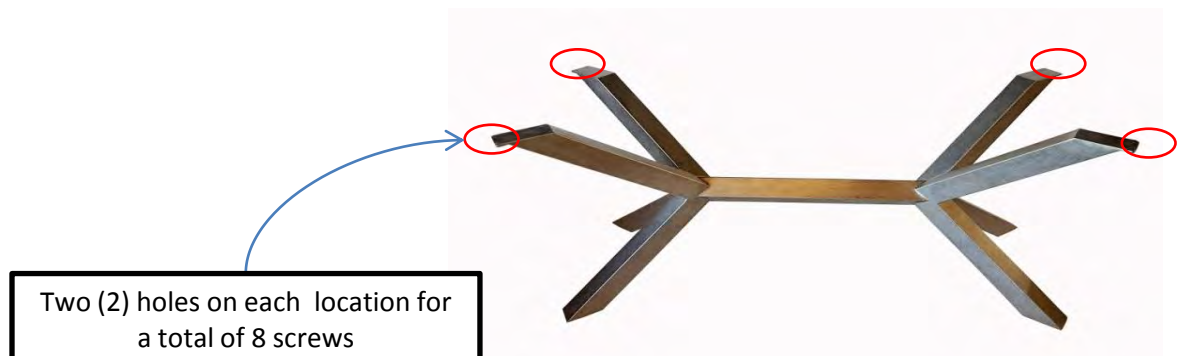


## ASSEMBLY INSTRUCTION

1. Lay on the Petra Rectangle Top to the Metal Base making sure it is in the marked locator.





2. Using eight (8) metal screws, screw the metal base to the top. As a guide, a sticker note "Screw Here" is attached at the bottom of the Petra Rectangle Top



**Care Instruction:** Use soft dry cloth to wipe off dust or dirt.

# Assembly Instruction for Petra Round Dining Table

## PARTS LIST

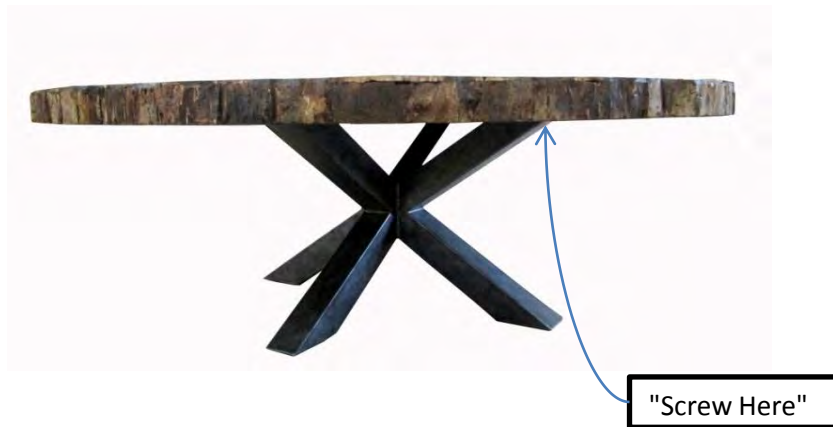
1 pc. Petra Round Top 	1 pc. Metal Base 
--	--

## HARDWARE LIST

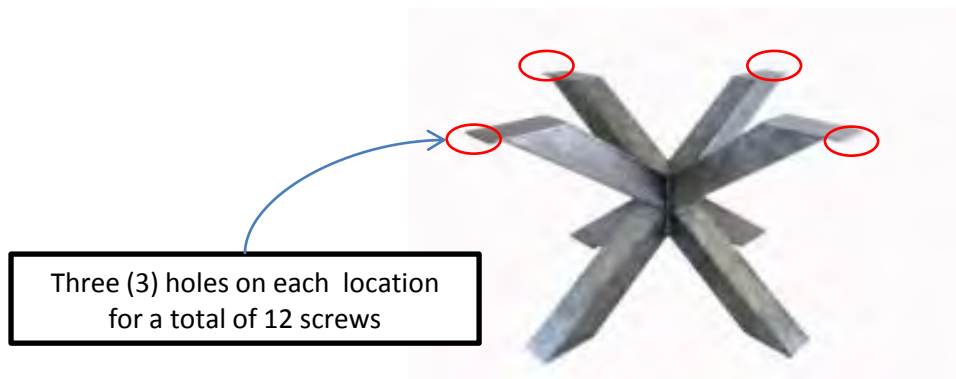
14 pcs	Metal Screws	
--------	--------------	--

## ASSEMBLY INSTRUCTION

1. Lay on the Petra Round Top to the Metal Base making sure it is in the marked locator.



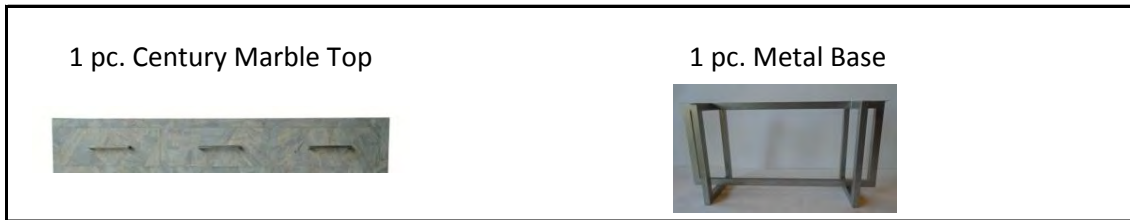
2. Using twelve (12) metal screws, screw the metal base to the top. As a guide, a sticker note "Screw Here" is attached at the bottom of the Petra Round Top



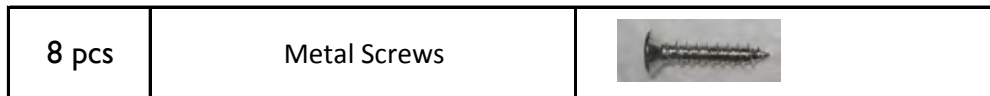
**Care Instruction:** Use soft dry cloth to wipe off dust or dirt.

# Assembly Instruction for AB-140B Petra Buffet Table

## PARTS LIST



## HARDWARE LIST

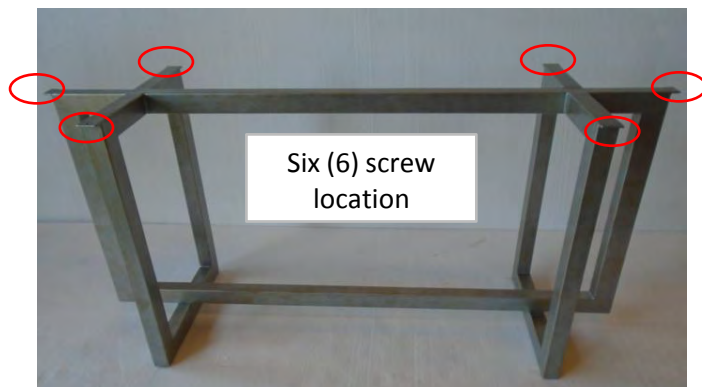


## ASSEMBLY INSTRUCTION

1. Lay on the Century Marble Top to the Metal Base making sure the top is centered to the base.



2. Using six (6) metal screws, screw the metal base to the top. As a guide, a sticker note "Screw Here" is attached at the bottom of the Century Marble Top.



**Care Instruction:** Use soft clean cloth or duster to wipe off dust or dirt.

# DINING PARTS SKUS

Super Category	Product ID	Description	Collection	Route
DINING	91PET96RECHW	PETRA 96" RECTANGLE HARDWARE 96" RECT BOTH COLORS	PT-PETRA	PART
DINING	91PETSERTPKT	PETRA SERVER ANTI-TIP KIT NATURAL AND WHITE FINISH	PT-PETRA	
DINING	91PETSERDHDL	PETRA SERVER DRAWER HANDLE NATURAL AND WHITE FINISH	PT-PETRA	
DINING	91PETRARECHW	PETRA TABLE RECTANGLE HARDWARE 74", 86" BOTH COLORS	PT-PETRA	PART
DINING	91PETRARNDHW	PETRA TABLE ROUND HARDWARE UNIVERSAL, ALL FINISHES&SIZES	PT-PETRA	PART

# ARHAUS®

your home

## platinum



**Dining Chair**  
23" w x 22" d x 46" h  
Sully Blue 30PLATSTRDC



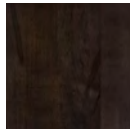
**Bench**  
58" w x 28.5" d x 46" h  
Sully Blue 30PLTSTRBCH

**Fabric:**



Sully Blue

**Finish:**



Fossil

### your style your way

Craft a custom design that tells your style story.

This collection is available in special-order **Fabrics** and **Finishes**; details below.

Ask in store or call 866.427.4287

## contemporary yet classically inspired

Our versatile Platinum Dining Chair collection is handcrafted by dedicated upholstery artisans, who combine the clean, curvilinear lines of classically inspired silhouettes with an inviting color palette. This transitional, contemporary look easily accentuates any dining aesthetic and is supported by durable, reinforced frames built from solid hardwood. Cushioned seats are sustained by a resilient suspension system and padded with eco-friendly foam. This combination provides a relaxing, flexible, sink-into feel that will allow dinner conversations to linger without discomfort.

### product details

- ▶ Pieces upholstered in Sully Blue fabric feature solid maple legs hand-painted in our Fossil finish.
- ▶ Craftsman-built frames are constructed using reinforced, cross-directional hardwood laminate for superior stability.
- ▶ Arhaus upholstery is handcrafted by artisans in North Carolina, using wood certified by the Sustainable Forestry Initiative.
- ▶ Frames feature recycled-steel spring suspension beneath seat cushions; while backrests are sustained by no-sag, sinuous support for evenly dispersed, firm yet flexible comfort.
- ▶ Seat-cushion cores consist of dense, eco-friendly foam made partly from plant-based material.
- ▶ Both seat and back cushions are channel-stitched to keep padding in place for added resilience.





ARHAUS<sup>®</sup>  
your home

# portsmouth



**Dining Chair**  
32" w x 32" d x 46" h  
Gage Dove  
Windrow Peppercorn

30PORTDA  
30PORTWP

**Fabrics:**

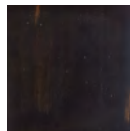


Gage Dove

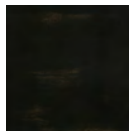


Windrow  
Peppercorn

**Finishes:**



Aged Black



Charcoal

**your style your way**

Craft a custom design that tells your style story.  
This collection is available in special-order **Fabrics**.  
Ask in store or call 866.427.4287

## welcome aboard the portsmouth

Exuding quaint harbor charm, our Portsmouth collection features dramatic silhouettes complemented by rustic styling. Craftsman-built, solid beech frames are left exposed and finished by hand to accentuate the wood's natural markings. Seat backs are sectioned by three cross spalls, which suggest the exposed hull of a small wooden boat. And, luxurious upholstery is surrounded by hand-applied nailheads, while hand-carved, tapered legs complete the antique-inspired design.

### product details

- ▶ Exposed, craftsman-built frames are constructed using solid beech wood.
- ▶ Hand-applied finishes are designed to highlight the wood's unique, natural features.
- ▶ Pieces upholstered in Gage Dove fabric feature our Aged Black finish. Pieces upholstered in Windrow Peppercorn or Windrow Peppercorn/Cary Linen fabrics feature our Charcoal finish.
- ▶ Seats are generously upholstered and sustained by no-sag spring systems, which provide flexible, evenly dispersed support.
- ▶ Artisan-fitted upholstery is accented by hand-applied nailheads.
- ▶ Keep your furniture looking its best. Visit [arhaus.com](http://arhaus.com) or speak to any Arhaus Design Consultant for care recommendations.



portsmouth | dining chair collection | made in America

Dimensions may vary slightly. Please ensure furnishings fit through interior structures and into desired space before purchase.