

ARHAUS®

DINING

PRODUCT HANDOUTS

ASSEMBLY GUIDES

SEPTEMBER 2022

INDEX

A

Acacius Handout 3
Acacius Assembly 4
Acero Handout 5
Acero Assembly 6
Acero Parts 7
Adele Handout 8 - 9
Adriana Handout 10 - 12
Adriana Assembly 13
Adriana Parts 14
Aimee Handout 15 - 16
Alaina Handout 17
Alexis Handout 18
Allesia Handout 19 - 21
Allesia Assembly 22
Alma Handout 23
Amalia Handout 24 - 26
Amalia Table Assembly 27
Andria Handout 28 - 30
Andria Assembly 31
Anna Handout 32
Ansel Handout 33
Ansel Assembly 34
Antonella Handout 35 - 36
Anwar Handout 37
Arturo Handout 38 - 40
Arturo Assembly 41
Asolo Handout 42 - 43
Asolo Table Assembly 44
Asolo Parts 45

B

Base Handout 46 - 48
 Arvada Base Assembly 49
 Cast Metal Assembly 40 - 51
 Cleo Base Assembly 52 - 53
 Edison Handout 54
 Hardyn Base Assembly 55
 Herringbone Base Assembly 56 - 59
 Kenya Handout 60
 Lyon Base Assembly 61
 Rhett Base Assembly 62 - 63
 Bases Parts 64 - 65
Bell'Arte Handout 66 - 71
Bergamo Handout 72 - 73
Bergamo Assembly 74 - 75
Bergamo Parts 76
Biancca Handout 77 - 78
Biancca Assembly 79 - 80
Bistro Handout 81
Bistro Parts 82
Bottoni Handout 83 - 86
Bottoni Parts 87
Bryant Handout 88

C

Cadence Handout 89 - 90
Cahlo Handout 91
Cahlo Assembly 92
Cahlo Parts 93
Carrinna Handout 94
Carrinna Assembly 95
Carrinna Parts 96
Castello Handout 97 - 99
Castello Assembly 100
Cava Handout 101- 102
Cava Parts 103
Cecilia Handout 104 - 105
Cerea Handout 106 - 108
Cerea Assembly 109 - 110
Cironi Handout 111 - 113
Cironi Assembly 114 - 115
Claybourne Handout 116
Claybourne Parts 117
Coburn Handout 118 - 120
Cordelia Handout 121
Cordelia Assembly 122
Cordelia Parts 123
Corte Handout (DISC) 134 - 135
Corte Assembly (DISC) 136 - 137

E

Eaton Handout 124 - 125
Eaton Parts 126
Enzo Handout 127
Enzo Assembly 128
Enzo Parts 129

F

Fallyn Handout 130 - 132
Florence Handout 133 - 135
Florence Assembly 136 - 137

G

Gage Handout 138
Gage Chair Assembly 139 - 145
Gage Parts 146
Gates Handout 147 - 150
Girardi Handout 151 - 153
Girardi Assembly 154 - 155
Giulietta Handout 156 - 157
Giulietta Assembly 158 - 160
Glenn Handout 161
Glenn Assembly 162
Glenn Parts 163
Grammercy Handout 164

H

Halstead Handout 165
Harman Handout 166 - 168
Henry Handout 169 - 171
Higgins Handout (DISC) 172
Higgins Parts (DISC) 173
Holmes Handout 174

I

Industrial Handout 175
Industrial Assembly 176
Industrial Parts 177
Irving Handout 178
Irving Parts 179
Isabella Handout 180

J

Jacob Handout 181 - 184
[Jacob Table | Vertex Base Assembly Video](#)
Jagger Handout 185 - 188
Jagger Parts 189
Jamie Handout 190
Jordan Handout 191 - 196
Jordan Parts 197
Julia Handout 198
Julia Assembly 199 - 200
Julia Parts 201

K

Kamilah Handout 202
Kamilah Assembly 203
Kelly Handout 204
Kensington Bar Handout 205 - 208
Kensington Assembly 209 - 210
Kensington Parts 211
Kira Handout 212
Kristen Handout 213 - 215
Kroy Handout 216 - 218

L

Leighton Handout 219 - 220
Leighton Assembly 221
Leighton Parts 222
Luca Handout 223
Luca Assembly 224
Luca Parts 225
Luciano Handout 226 - 227
Luciano Assembly 228
Luciano Parts 229
Lunden Handout 230

M

Margot Handout 231 - 233
Maria Handout 234 - 235
Massa Handout 236
Massa Parts 237
Mattia Handout 238
Meridian Handout 239
Meridian Assembly 240
Meridian Parts 241
Messina Handout 242 - 243
Messina Assembly 244
Messina Parts 245
Mihaela Handout 246 - 247
Mihaela Bar Assembly 252 - 254
Mihaela Assembly 255 - 259
Mihaela Parts 260
Mila Handout (DISC) 261 - 262
Milo Handout (DISC) 263 - 264
Modena Handout 265

N

New Haven Assembly 266 - 267
Nika Handout 268 - 271
Nika Assembly 272
Nika Parts 273
Noa Handout 274 - 275
Nobelle Handout 276
Norah Handout 277

O

Oceano Handout 278
Oeste Handout 279
Orgami Assembly 280
Oscar Handout 281
Oscar Parts 282
Ostuni Handout 283 - 284
Ostuni Parts 285

P

Paleta Handout 286
Panta Handout 287 - 288
Panta Assembly 289
Panta Parts 290
Parsons Handout 291 - 292
Parsons Assembly 293
Parsons Parts 294
Pavia Handout 295 - 297
Pavia Assembly 298 - 299
Pelle Handout 300
Perth Handout 301
Petra Petrified Handout 302 - 303
Petra Assembly 304 - 306
Petra Parts 307
Platinum Handout 308
Portsmouth Handout 309

R

Raja Handout 310
Raja Assembly 311
Raja Parts 312
Recycled Metals Handout 313 - 314
[Recycled Metal Top | Lyon Base Assembly Video](#)
[Recycled Metal Top | Wade Base Assembly Video](#)
Regina Handout 315 - 316
Rhen Handout 317 - 318
Rho Handout 319
Rho Assembly 320 - 321
Rho Parts 322
Rio Handout 323
Rio Assembly 324 - 326
Rio Parts 327
Robin Handout 328 - 329
Rodin Handout 330
Roma Handout 331 - 332
Roma Assembly 333 - 334
Roma Parts 335
Rosa Handout 336 - 337
Rosa Assembly 338

S

Sabine Handout 339 - 340
Saddle Handout 341
Sali Handout 342
Sama Handout 343
Sama Assembly 344
Savona Handout 345 - 346
Savona Assembly 347
Scala Handout 348
Seraphia Handout (DISC) 349 - 350
Serena Handout 351
Serena Assembly 352 - 353
Serena Parts 354
Serlio Handout 355
Serlio Assembly 356 - 357
Serlio Parts 358
Shearling Handout 359
Sicily Burl Handout 360
Sicily Burl Assembly 361
Sicily Burl Parts 362
Sonia Handout 363
Stantley Handout 364 - 367
Stevie Handout 368
Sutter Handout 369
Sutter Parts 370

T

Tao Handout 371
Tao Assembly 372
Tao Parts 373
Tavola Handout 374
Tavola Assembly 375 - 376
Tavola Parts 377
Tay Handout 378 - 379
Teddi Handout 380
Telluride Handout 381 - 382
Telluride Assembly 383
Terracotta Handout 384
Torino Handout 385
Toulon Handout 386 - 387
Toulon Assembly 388
Toulon Parts 389
Tuscany Handout 390 - 395
Tuscany Assembly 396 - 398
Tuscany Parts 399

V

Veltri Chair 400
Vero Assembly 401 - 404
Viola Handout 405 - 406
Viola Parts 407

W

Wade Handout 408
Wade Assembly 409
Wade Parts 410
Wagner Handout 411
Wagner Parts 412
Weston Handout 413
Weston Parts 414
Whitby Handout 415 - 416
Wilhelm Handout 417 - 419
Wilhelm Assembly 420 - 422
Wilhelm Parts 423
Workshop Handout (DISC) 424 - 425
Workshop Parts (DISC) 426

Z

Zamora Handout (DISC) 427
Zamora Assembly (DISC) 428

ARHAUS®

your home

acacius



Dining Table

60" diameter x 31" h 30ACAC60KT
70" diameter x 31" h 30ACAC70KT

a true work of art

As striking as it is beautiful, our Acacius Dining Table combines reclaimed wood with weathered metal—creating a unique centerpiece for your dining space. To craft Acacius' one-of-a-kind, mixed-material styling, Mexican artisans leave panels of solid iron outside to naturally oxidize. Then, each piece of metal is moulded around the natural shape of wood veneers from ethically salvaged yuca trees. Every Acacius is a true work of art that celebrates the beauty of natural materials, and no two are exactly alike.

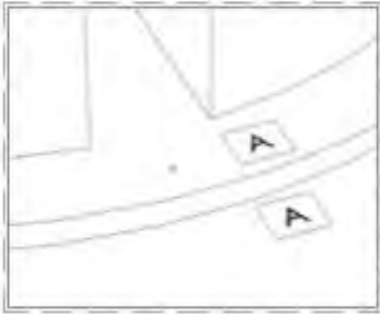
product details

- ▶ Handcrafted in Mexico using carefully procured veneers from reclaimed yuca trees.
- ▶ Metal accents are handcrafted from panels of iron that are left outside to naturally oxidize, giving them an authentic, weathered patina. Each piece is moulded around the unique shape of the wood veneers.
- ▶ Due to their handcrafted nature, metal surfaces feature small dimples and other features—as a result of the finishing process—which add one-of-a-kind character to each piece.
- ▶ Hand-applied finishes are weathered and coated with polyurethane for added protection.
- ▶ This collection is artisan-crafted from natural materials with hand-applied finishes. Individual pieces may vary in color, pattern, shape, and texture, making each truly unique.
- ▶ Keep your furniture looking its best. Visit arhaus.com or speak to any Arhaus Design Consultant for care recommendations.





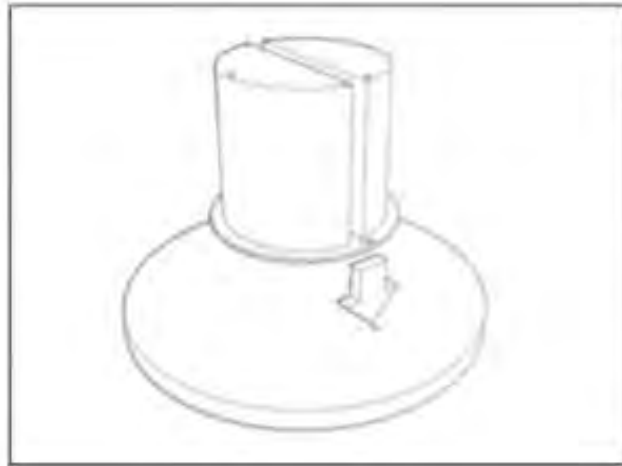
3



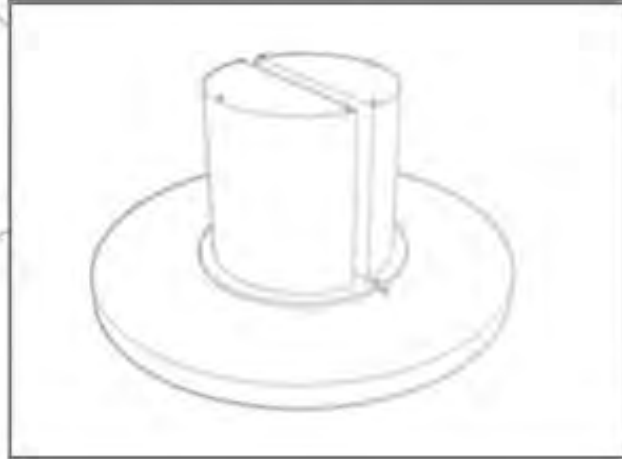
4



Acacius Round Dining Table

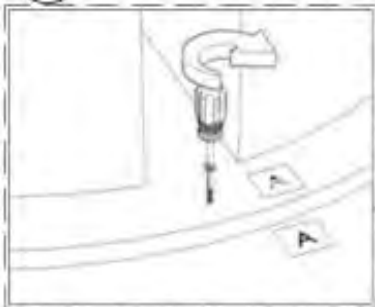


1

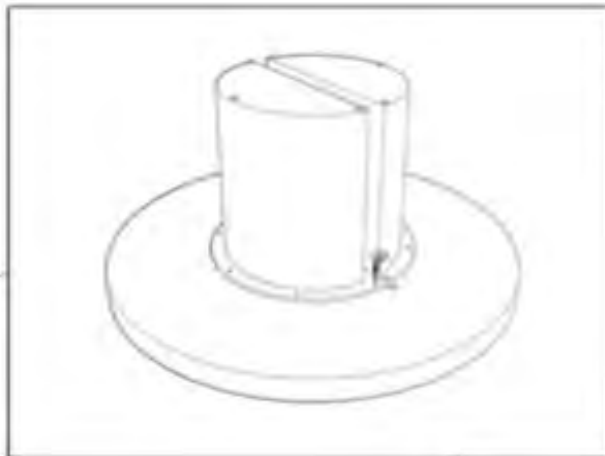


2

6



5



7



Acacius Round Dining Table

ARHAUS®

your home

acero



image not available

Dining Table

96" w x 43" d x 30" h	30ACEROKT	Seats up to 10
84" w x 43" d x 30" h	30ACERO84KT	Seats up to 8
72" w x 43" d x 30" h	30ACERO72KT	Seats up to 6

Buffet

70" w x 20" d x 34" h	30ACEROBUFF
-----------------------	-------------

truly artisanal tables

Finished by artisan hands to achieve truly stunning patinas, our Acero dining collection complements cool, rustic metal with the warm colors and organic wood textures. Our artisan partners construct each metal surface from panels of solid iron that are left outside to naturally oxidize, producing an organically weathered appearance. Modern wood frames are shaped using solid alder wood and alder veneers, which are painted and lacquered to bring out the lumber's natural features, accentuating its dark and varied tones.

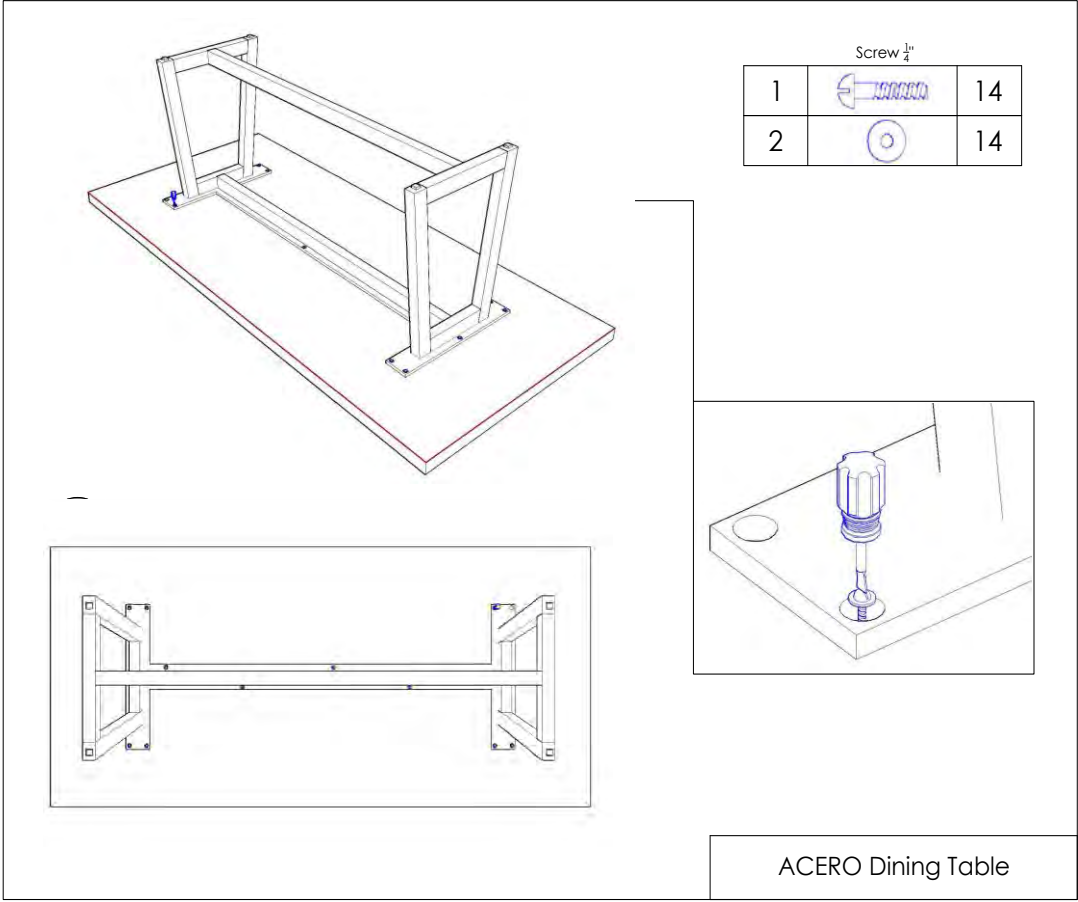
product details

- ▶ Craftsman-built by Mexican artisans, this collection is made from solid alder wood, alder veneers, and iron.
- ▶ Metal surfaces are handcrafted from panels of treated iron that are left outside to give them a natural, oxidized finish.
- ▶ Hand-applied wood finishes are weathered and coated with polyurethane for added protection.
- ▶ This collection is artisan-crafted from natural materials with hand-applied finishes. Individual pieces may vary in color, pattern, shape, and texture, making each truly unique.
- ▶ Natural wood may display small splits, knots, joint lines, or other organic features that will not affect the quality or performance of your piece.
- ▶ Furniture made from natural wood may move slightly due to temperature and humidity. This is normal and should be expected from season to season.
- ▶ Keep your furniture looking its best. Visit arhaus.com or speak to any Arhaus Design Consultant for care recommendations.



acero | dining collection | made in Mexico

Dimensions may vary slightly. Please ensure furnishings fit through interior structures and into desired space before purchase.



HARDWARE KIT: 91ACEROTBLHW

DINING PARTS SKUS

CATEGORY	SKU	DESCRIPTION	STATUS	COLLECTION	ROUTE
DINING	91ACRBFDHNG1	ACERO BUFFET DOOR HINGE #1 MOHO	A	PT-ACERO	PART
DINING	91ACRBFDHNG2	ACERO BUFFET DOOR HINGE #2 MOHO	A	PT-ACERO	PART
DINING	91ACRBFKPUSH	ACERO BUFFET K-PUSH OPEN MOHO	A	PT-ACERO	PART
DINING	91ACRBFSLATS	ACERO BUFFET SHELF SLATS/PEGS MOHO	A	PT-ACERO	PART
DINING	91ACEROTBLHW	ACERO TABLE HARDWARE ALL SIZES	A	PT-ACERO	PART

ARHAUS®

your home

ADELE

CHATHAM DINING COLLECTION

MADE IN CHINA

shown in Cane Back/Stone
Vintage/Nomad Snow



DINING CHAIR

23" w x 21.25" d x 39.5" h

Cane Back/Cinder/Nomad Snow

Cane Back/Stone Vintage/Nomad Snow

30ADELCDNDS

30ADELSVNDS

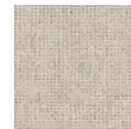
DINE WITH A TRUE WORK OF ART

Inspired by the dark yet dignified grandeur of 18th century neoclassical masters, we created our Adele Dining Collection to emulate the elegant architecture and works of art from Greek and Roman antiquity. The legs and frame are beautifully hand-carved with rosettes and other detailing designed to resemble ancient columns. Handwoven cane chair backs are paired with simple, complementary seats generously upholstered to create premium comfort for any dining space.

PRODUCT DETAILS

- + Craftsman-built chair frames are constructed using solid, reinforced, hand-carved, kiln-dried oak for lasting strength and stability.
- + Front legs are hand-carved to resemble Neoclassical columns and feature delicate rosette detailing.
- + Cane chair backs are woven and finished by hand.
- + Hand-applied finishes are distressed by furniture artisans to mimic a timeworn appearance and lacquered for added protection and subtle sheen.
- + Seats are sustained by sinuous springs, foam padding, and a flexible network of durable rubber webbing for comfortable, evenly dispersed support.
- + Our sustainably certified Crypton® Nomad Snow Home Performance Fabric is easy to clean, soft, and durable—engineered with stain-, odor-, and moisture-resistant technology in every fiber.
- + Top Grain Smoke leather develops natural texture and markings with use, creating a unique, antique appearance.
- + Barstool seat measures 31.5" h.
- + Counter Stool seat measures 25" h.
- + Keep your furniture looking its best. Visit arhaus.com or speak to any Arhaus Design Consultant for care recommendations.

FABRICS:



Linen Natural*



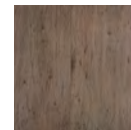
Crypton®
Nomad Snow



Top Grain
Smoke*

LEATHER:

FINISHES:



Weathered*



Cinder



Stone Vintage



Rubbed
Black*

*Available by special order.

shown in Cane Back/Cinder/
Top Grain Smoke



BARSTOOL*

19" w x 22.5" d x 48" h
Cane Back/Cinder/Top Grain Smoke

IZDLBH1



COUNTER STOOL*

19" w x 24" d x 41.75" h
Cane Back/Cinder/Top Grain Smoke

IZDLBS1

**Available by special order.*

ARHAUS®

your home

adriana



60" Dining Table*
60" w x 44" d x 31" h
P96N60A
seats up to 6

86" Dining Table
86" w x 44" d x 31" h
30ADRIANA86T
seats up to 8

78" Dining Table
78" w x 44" d x 31" h
30ADRIANA78T
seats up to 8

94" Dining Table*
94" w x 44" d x 31" h
P96N94A
seats up to 10

Finish:



Sorrento

your style your way

Craft a custom design that tells your style story.

This collection is available in special-order **Sizes** and **Finishes**.

Ask in store or call **866.427.4287**

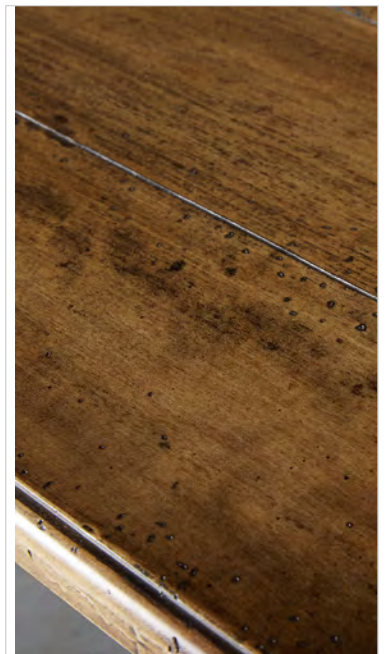
**available by special order*

handcrafted Italian artistry

Beautifully handmade by Italian furniture artisans in a family-owned workshop, our Adriana Dining Collection features a vintage-inspired farmhouse aesthetic defined by traditional craftsmanship passed down from generation to generation. Classically elegant dining tables carved from solid poplar wood feature expertly hand-turned legs complemented by rich, warm finishes that are hand-applied to accentuate the wood's natural colors and various grain patterns.

product details

- ▶ Expertly crafted by Italian artisans, our Adriana dining tables are built by hand from solid poplar wood.
- ▶ Solid poplar table legs are turned by hand and artfully detailed with elegant contours.
- ▶ Sorrento finishes are artfully applied, adding a rich, warm tones and accentuating the poplar wood's stunning natural features.
- ▶ Finished tables are coated with several layers of varnish and shellac for added moisture- and scratch-resistant protection.
- ▶ Artisan-crafted furnishings made from natural wood with hand-applied finishes may vary in color, pattern, shape, and texture, making each truly unique.
- ▶ 60" table seats up to 6.
- ▶ 78" table seats up to 8.
- ▶ 86" table seats up to 8.
- ▶ 94" table seats up to 10.
- ▶ Keep your furniture looking its best. Visit arhaus.com or speak to any Arhaus Design Consultant for care recommendations.

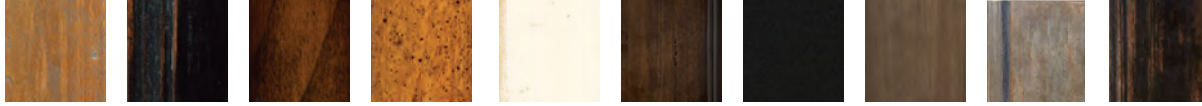


ARHAUS®

your home

additional custom finishes

Dining Table | 60" w x 44" d x 31" h | 78" w x 44" d x 31" h | 86" w x 44" d x 31" h | 94" w x 44" d x 31" h



Antique Camel Rubbed Black Cantina Bassano Old English Walnut Ivory Noceto Solid Black Porfido *Fontaine Blue *Worn Black

**Artisan Finish: Due to the labor-intensive process of creating these finishes, there will be an increase in price.*

before we can place your order, we need to make sure that you agree with the following statements.

please initial each box below to indicate your agreement.

◀ I have selected the above specifications for my order. Images are shown to indicate general color tones but should not be used for color matching.

◀ I understand that if I cancel this order at any time I forfeit my delivery fee and 50% of the item purchase price.

◀ I understand that my selections are special order and will take up to 16 weeks for production. Please allow additional time for delivery.

◀ I've measured my doorways, stairways and entryways to make sure my furniture can be placed in the appropriate room.

customer name: _____

Please sign below to acknowledge your understanding and agreement.

customer signature: _____

order no.: _____ date: _____

design consultants: please fax this form to **specialorder@arhaus.com**

ARHAUS®

your home

personalization form

* If you wish, the artisans can specially personalize your Bell'Arte piece by hand-signing your name (up to three words) on the underside for no additional cost.

personalized description

*Personalization can include up to 3 words. No symbols or characters. This should be hand written in all caps.

Print Name:

Signature of Applicant:

Date:

ASSEMBLING INSTRUCTIONS FOR ADRIANA FARM HOUSE TABLE

1. Unpacking legs and top box are in the same box.



2. Turn the top, keep the table top facing down inside original packing and lay it on the floor.



3. Turn the table to normal position.

PARTS INVENTORY

Super Category	Product ID	Description	Stat	Collection	Route
DINING	91ADRIANAHDW	ADRIANA DINING TBL HARDWARE ASSEMBLY HARDWARE	A	PT-ADRIANA	PART

ARHAUS®

your home

AIMEE

CHATHAM DINING COLLECTION

MADE IN CHINA

shown in
Black Drifted/Nomad Snow



UNDERSTATED ELEGANCE WITH A TWIST

With a softly curved back, two-tone rattan caning, and chic flared legs, our Aimee Dining Collection is thoughtfully crafted to capture the styles of both classic French antiques and iconic midcentury modern designs. Each frame is made from solid oak wood accentuated by a subtle lacquered sheen and paired with a generous upholstered cushion. Invite welcoming comfort into your home with this versatile dining collection that complements any aesthetic.

PRODUCT DETAILS

- + Aimee Dining Arm Chairs and Stools feature solid oak frames, rattan cane backs, and an upholstered cushion seats.
- + Wooden surfaces are hand-finished with lacquer for added protection and subtle sheen.
- + Counter Stool seat measures 23.75" h; arm measures 31.25" h.
- + Barstool seat measures 30" h; arm measures 35" h.
- + Arm Chair seat measures 19.5" h; arm measures 24.75" h.
- + Keep your furniture looking its best. Visit arhaus.com or speak to any Arhaus Design Consultant for care recommendations.

FABRIC:

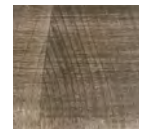


Nomad Snow

FINISHES:



Black Drifted



Cinder

CRAFT A CUSTOM LOOK

This collection is available in customizable **Fabrics** and **Finishes** including our **Crypton® Performance Fabrics**.

Visit a store, call **866.427.4287**, or **live chat** with our Design Team to learn more.

ARHAUS®

your home

AIMEE

CHATHAM DINING COLLECTION

MADE IN CHINA

shown in Cinder/
Nomad Snow



CANE BACK DINING ARM CHAIR

21.5" w x 24" d x 32" h

Black Drifted/Nomad Snow

Cinder/Nomad Snow

30AIMCHBKDF

30AIMCHRCNDR

shown in Black Drifted/
Nomad Snow



CANE BACK BARSTOOL

21.75" w x 20.75" d x 42.75" h

Black Drifted/Nomad Snow

Cinder/Nomad Snow

30AIMBRSBKDF

30AIMBRSCNDR



CANE BACK COUNTER STOOL

21.75" w x 20.75" d x 39" h

Black Drifted/Nomad Snow

Cinder/Nomad Snow

30AIMCRSBKDF

30AIMCRSTCDR

ARHAUS®

your home

alaina



Slipcovered Side Chair
20" w x 22" d x 40" h
Daryl Natural 30ALAINA
Martha Marine 30ALAINAMRNE

*available by special order

Fabrics:



Daryl
Natural



Martha
Marine



Image not
available
Forteau
Quarry*

your style your way

Craft a custom design that tells your style story.

This collection is available in special-order

Fabric Slipcovers | Ask in store or call 866.427.4287

subtle, chic, and sophisticated,

these parsons-style dining chairs infuse your décor with thoroughly classic style. The understated lines of each seat's clean silhouette are hand-constructed by our furniture artisans with a reinforced frame of solid hardwood. Seats and backrests are softened and fully padded with thick, supportive cushioning. Beautifully draped and elegantly fitted slipcovers are fashionable yet easy to maintain—designed to complement your table and elevate your dining space.

product details

- ▶ Slipcovers are an easy way to refresh your style or keep your upholstery protected from everyday wear and tear.
- ▶ Our collection of Easy-Care pre-washed slipcovers is machine washable.
- ▶ These tailored slipcovers feature a straight skirt with corner kick pleats.
- ▶ Teton Fog slipcovers are designed to complement our Bianca Dining Table and Ostuni Buffet.
- ▶ Craftsman-built frames are constructed using solid, reinforced hardwood for superior stability.
- ▶ Parsons chair design features a high, supportive back.
- ▶ Frames feature a foam-padded, no-sag, sinuous support system beneath seat cushions for evenly dispersed, firm yet flexible comfort.
- ▶ Backrests are sustained by foam and flexible, durable rubber webbing.
- ▶ Cushions and frame are completely encased in dense foam and muslin for smooth, lasting softness.
- ▶ Keep your furniture looking its best. Visit arhaus.com or speak to any Arhaus Design Consultant for care recommendations.



alaina | dining chair collection | made in America

Dimensions may vary slightly. Please ensure furnishings fit through interior structures and into desired space before purchase.

ARHAUS®

your home

alexis



Side Chair

24.25" w x 28" d x 36.5" h

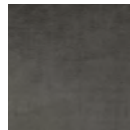
Velvet Grey 30ALXGREY

Velvet Blue 30ALXBLUE

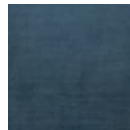
Sunday Grey 30ALXSUNGRY

Sunday Stone 30ALXSUNSTN

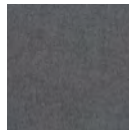
Fabrics:



Velvet Grey



Velvet Blue



Sunday Grey



Sunday Stone

Finish:



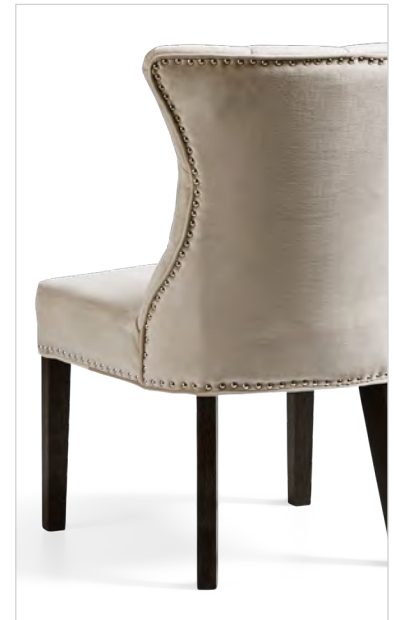
Brushed Black

a comfortable classic

that can be dressed up or down, our graceful Alexis dining chair brings a casual elegance to the table. Its tufted back is complemented by a wide seat, which is expertly fitted in stunning and cozy fabrics. And, upholstery is accented by silver nailhead detailing around the chair's perimeter and back for a subtle finishing touch. Get comfortable or turn dinner into a formal affair, Alexis is well suited for either endeavor.

product details

- ▶ Solid oak wood legs are hand-stained and lacquered for added protection and subtle sheen.
- ▶ Backrests are accented with hand-tufted detailing and beautiful silver nailheads along back edges and perimeters.
- ▶ Handcrafted solid, kiln-dried oak frames are built using mortise-and-tenon joinery and reinforced with corner blocks for added stability.
- ▶ Frames feature a foam-padded, no-sag, sinuous support system beneath seat cushions for evenly dispersed, firm yet flexible comfort.



alexis | coventry collection | made in Asia

Dimensions may vary slightly. Please ensure furnishings fit through interior structures and into desired space before purchase.

ARHAUS®

your home

allesia



Finishes:



Antique Antico

Dining Table

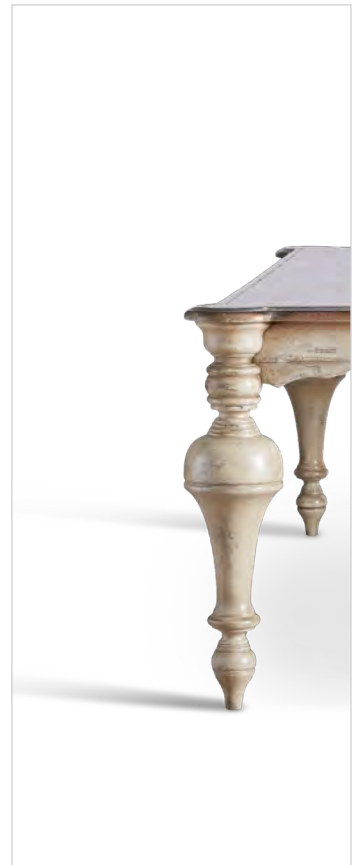
97.75" w x 47.25" d x 30.75" h
P98198S
seats up to 10

a true Italian masterpiece made just for you

Like a work of fine art, our master artisans utilize centuries-old techniques passed down through generations to craft every detail of our exclusive Bell'Arte collection by hand. Made one at a time, specifically for you, in a region of Italy renowned for its furniture-making, these exquisite dining pieces are built from solid wood. Each hand-distressed surface is artfully finished, combining layers of stain, paint, and lacquer with careful brushstrokes—a process which takes over three days to complete per piece. Inspired by the countryside estates of Northern Italy and their beautiful stairwell banisters—featuring exaggerated shapes and complex, highly detailed motifs—our Allesia dining tables are artfully adorned in reference to this elegant architecture.

product details

- ▶ Our exclusive Bell'Arte collection is handcrafted by master artisans in a region of Italy renowned for its furniture-making.
- ▶ Dining tables are craftsman-built from poplar wood—a wood prized in the making of fine furniture.
- ▶ Antique Antico finishes are hand-painted with scrolling details—layered ivory, grey, and beige tones create an elegant, timeless aesthetic. Table bases feature a contrasting, dark grey finish.
- ▶ Finishes are distressed by hand and lacquered for an elegant, timeworn appearance.
- ▶ Italian artisans meticulously carve all details by hand, making each piece truly one-of-a-kind.
- ▶ After the finishing process, which takes three days to complete, our artisans sign and date their work with the inscription "Hand-painted in Italy" written in Italian.
- ▶ Due to the delicate nature of artisan-painted, hand-distressed finishes, your piece may vary depending on your use and care. See an in-store design consultant or visit arhaus.com for care recommendations.
- ▶ This collection is hand-crafted from natural materials with hand-applied finishes. Individual pieces may vary in color, pattern, shape, and texture, making each truly unique.
- ▶ Natural wood may display small splits, knots, joint lines, or other organic features that will not affect the quality or performance of your piece.
- ▶ Furniture made from natural wood may move slightly due to temperature and humidity. This is normal and should be expected from season to season.
- ▶ If you wish, our artisans can specially personalize your Bell'Arte piece by hand-signing your name (up to three words) on the underside for no additional cost. Visit your local store or call to order.
- ▶ Keep your furniture looking its best. Visit arhaus.com or speak to any Arhaus Design Consultant for care recommendations.



allesia | bell'arte dining collection | made in Italy

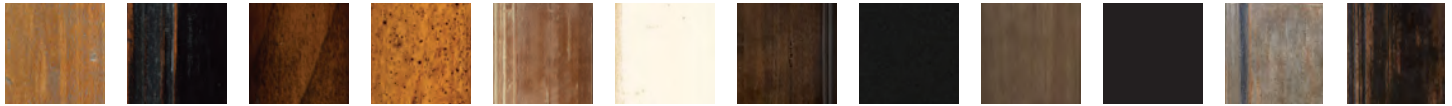
Dimensions may vary slightly. Please ensure furnishings fit through interior structures and into desired space before purchase.

ARHAUS®

your home

available by special order

Rectangular Dining Table | 97.75" w x 47.25" d x 30.75" h



Antique Camel Rubbed Black Cantina Bassano Old English Walnut Verona Rubbed Ivory Noceto Solid Black Porfido Midnight Black *Fontaine Blue *Worn Black

**Artisan Finish: Due to the labor-intensive process of creating these finishes, there will be an increase in price.*

before we can place your order, we need to make sure that you agree with the following statements.

please initial each box below to indicate your agreement.

◀ I have selected the above specifications for my order. Images are shown to indicate general color tones but should not be used for color matching.

◀ I understand that if I cancel this order at any time I forfeit my delivery fee and 50% of the item purchase price.

◀ I understand that my selections are special order and will take up to 16 weeks for production. Please allow additional time for delivery.

◀ I've measured my doorways, stairways and entryways to make sure my furniture can be placed in the appropriate room.

customer name: _____

Please sign below to acknowledge your understanding and agreement.

customer signature: _____

_____ date: _____

design consultants: please fax this form to specialorder@arhaus.com

order no.:

personalization form

* If you wish, the artisans can specially personalize your Bell'Arte piece by hand-painting your name (up to three words) on the underside for no additional cost.

personalized description

*Personalization can include up to 3 words. No symbols or characters. This should be hand written in all caps.

Print Name:

Signature of Applicant:

Date:

ASSEMBLING INSTRUCTIONS FOR BOTERO RECTANGULAR TABLE

1. UNPACKING LEGS AND TOP BOX ARE IN THE SAME BOX.



2. Turn the top, keep the table top facing down inside original packing and lay it on the floor.



3. Turn the table to normal position.



ARHAUS®

your home

alma



Slipcovered Dining Chair

20" w x 26" d x 40" h

Westport Navy

30ALMAWPNVY

Fabrics



Westport Navy

your style your way

Craft a custom design that tells your style story.

This collection is available in special-order

fabric slipcovers.

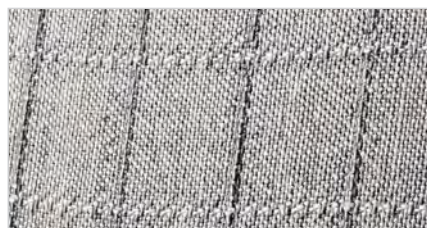
Ask in store or call **866.427.4287**

infuse your space with sophistication

Handcrafted by American furniture artisans, our slipcovered Alma dining chairs feature a classic, understated, Parson's design. Generously upholstered frames are built from solid hardwood and are fully padded with dense eco-friendly foam for a resilient and relaxing seat. Seats are sustained by a recycled-steel spring system, while backrests feature durable webbing for flexible support. Beautifully fitted slipcovers are easy to style—designed to complement your table and elevate your dining space.

product details

- ▶ Slipcovers are an easy way to refresh your style or keep your upholstery protected from everyday wear and tear.
- ▶ Craftsman-built frames are constructed using solid, reinforced hardwood for lasting strength and superior stability.
- ▶ Made in America—this collection was handcrafted by upholstery artisans in North Carolina.
- ▶ Arhaus upholstery is made using wood certified by the Sustainable Forestry Initiative.
- ▶ Frames feature a no-sag, recycled-steel, sinuous support system beneath seats cushions for evenly dispersed, firm yet flexible comfort.
- ▶ Backrests are sustained by foam and flexible webbing for resilient support and stability.
- ▶ Upholstered seats are made with dense, eco-friendly foam made partly from sustainable, plant-based material
- ▶ Frames are completely padded and encased in muslin for smooth, lasting softness.
- ▶ Keep your furniture looking its best. Visit arhaus.com or speak to any Arhaus Design Consultant for care recommendations.



ARHAUS®

your home

amalia



Round Dining Table

42" diameter x 30" h
48" diameter x 30" h
54" diameter x 30" h
60" diameter x 30" h
71" diameter x 30" h

30AMALIA42
30AMALIA48
30AMALIA54
30AMALIA60
30AMALIA71

Seats up to 3.
Seats up to 4.
Seats up to 6.
Seats up to 8.
Seats up to 10.

Rectangular Dining Table

78" w x 44" d x 30" h
86" w x 44" d x 30" h
94" w x 44" d x 30" h

30AMALIA78KT
30AMALIA86KT
30AMALIA94KT

Seats up to 10.
Seats up to 12.
Seats up to 14.

*All Bell'Arte dining pieces are made to order.

a true masterpiece

Centuries-old woodworking and finishing techniques are used to craft every exquisite detail of our exclusive Bell'Arte collection. In a region of Italy renowned for its furniture-making, our dedicated artisans make every piece to order, treating each as a unique work of art. Our Amalia Dining Tables are built from solid poplar wood and masterfully finished by hand. Wood tabletops are painstakingly hand-painted, using traditional techniques to recreate the appearance of authentic Calcutta Marble—combining layers of stain, paint, and lacquer to achieve a stunningly natural effect.

product details

- ▶ As with the rest of our Arhaus-exclusive Bell'Arte Collection, these pieces are handcrafted in a region of Italy renowned for its furniture-making.
- ▶ Dining Tables are craftsman-built from poplar wood—a wood prized in the making of fine furniture.
- ▶ Wood tabletops are painstakingly hand-painted, using traditional techniques to recreate the appearance of authentic Calcutta Marble—combining layers of stain, paint, and lacquer to achieve a stunningly natural effect.
- ▶ Italian artisans meticulously carve all details by hand, making each piece truly one-of-a-kind.
- ▶ After the finishing process, which takes three days to complete, the artisans sign "Hand-painted in Italy" in Italian and date their work.
- ▶ This collection is artisan-crafted from natural materials with hand-applied finishes. Individual pieces may vary in color, pattern, shape, and texture, making each truly unique.
- ▶ Natural wood may display small splits, knots, joint lines, or other organic features that will not affect the quality or performance of your piece.
- ▶ Furniture made from natural wood may move slightly due to temperature and humidity. This is normal and should be expected from season to season.
- ▶ 60" diameter x 30" h table seats up to 8.
- ▶ 71" diameter x 30" h table seats up to 10.
- ▶ If you wish, the artisans can specially customize your Bell'Arte piece by hand-painting your name (up to three words) on the underside for no additional cost. Visit your local store or call to order.
- ▶ Keep your furniture looking its best. Visit arhaus.com or speak to any Arhaus Design Consultant for care recommendations.



amalia | bell'arte dining collection | made in Italy

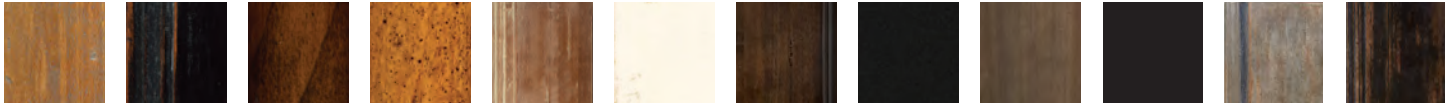
Dimensions may vary slightly. Please ensure furnishings fit through interior structures and into desired space before purchase.

ARHAUS®

your home

available by special order

Dining Table | 60" diameter x 30" h | 71" diameter x 30" h



Antique Camel Rubbed Black Cantina Bassano Old English Walnut Verona Ivory Noceto Solid Black Porfido Calcutta Marble *Fontaine Blue *Worn Black

image not available

**Artisan Finish: Due to the labor-intensive process of creating these finishes, there will be an increase in price.*

before we can place your order, we need to make sure that you agree with the following statements.

please initial each box below to indicate your agreement.

◀ I have selected the above specifications for my order. Images are shown to indicate general color tones but should not be used for color matching.

◀ I understand that if I cancel this order at any time I forfeit my delivery fee and 50% of the item purchase price.

◀ I understand that my selections are special order and will take up to 16 weeks for production. Please allow additional time for delivery.

◀ I've measured my doorways, stairways and entryways to make sure my furniture can be placed in the appropriate room.

customer name: _____

Please sign below to acknowledge your understanding and agreement.

customer signature: _____

order no.: _____ date: _____

design consultants: please email this form to specialorder@arhaus.com

ARHAUS®

your home

personalization form

* If you wish, the artisans can specially customize your Bell'Arte piece by hand-painting your name (up to three words) on the underside for no additional cost.

personalized description

*The personalization can include up to 3 words. No symbols or characters. This should be hand written in all caps.

Print Name:

Signature of Applicant:

Date:

AMALIA

PLEASE INCLUDE ASSEMBLY INSTRUCTIONS

1. Open the table top box on the reverse side- keep the table top facing down inside original packing and lay it on the floor
2. Unpack the table base and put it next to the top: both top and base are marked with an "A".
3. Set the base on the table top matching the two "A".
4. Place the base exactly in the perimeter of template you will find on the back of the table top.
5. In a plastic bag fixed to the pedestal you will find the assembling hardware: 16 metal washers and screw (8 washers+8 screws)



5. Insert screws in washers and tight them with a screwdriver.
6. Turn the table to normal position.
7. Should the table be unlevelled on the floor, adjust the 4 levellers under base by loosing or tightening them by hand as needed



ARHAUS®

your home

andria



Finishes:



Fontaine
Grey

Dining Table

42" diameter x 31" h
48" diameter x 31" h
54" diameter x 31" h
60" diameter x 31" h
71" diameter x 31" h

30ANDRIA42KT
30ANDRIA48KT
30ANDRIA54KT
30ANDRIA60KT
30ANDRIA71KT

Seats up to 2.
Seats up to 4.
Seats up to 6.
Seats up to 8.
Seats up to 10.

your style your way

Craft a custom design that tells your style story.

This collection is available in special-order

Finishes and More.

Ask in store or call **866.427.4287**

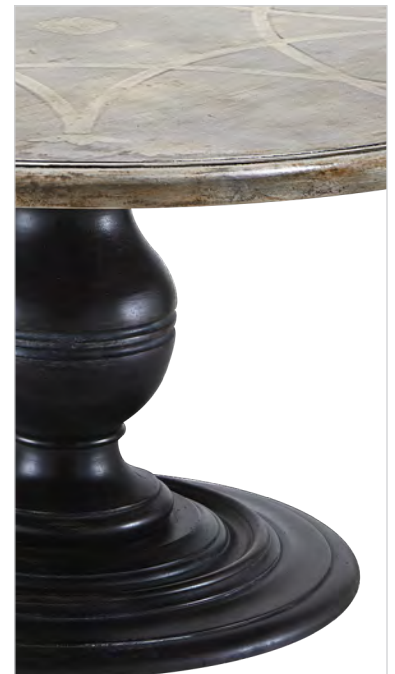
*All Bell'Arte dining pieces are made to order.

a true masterpiece

Centuries-old woodworking techniques are used to craft every exquisite detail of our exclusive Bell'Arte collection. Handcrafted to order in a region of Italy renowned for its furniture-making, our dedicated artisans treat each unique piece like a work of art. Dining tables are built from solid poplar wood and masterfully finished by hand, combining layers of stain, paint, and lacquer—a process which takes over three days to complete per piece. Our Andria Dining Tables feature delicately painted star patterns on tabletops complemented by antique Fontaine Grey finishes, which are artfully applied to resemble antiques found in old Italian villas.

product details

- ▶ As with the rest of our Arhaus-exclusive Bell'Arte Collection, these pieces are handcrafted in a region of Italy renowned for its furniture-making.
- ▶ Dining Tables are craftsman-built from poplar wood—a wood prized in the making of fine furniture.
- ▶ Antique Fontaine Grey finishes are hand-painted with an elaborate star. Layered grey tones are slightly aged and lacquered, resulting in a timeworn appearance with elegant detailing.
- ▶ Italian artisans meticulously carve all details by hand, making each piece truly one-of-a-kind.
- ▶ After the finishing process, which takes three days to complete, the artisans sign "Hand-painted in Italy" in Italian and date their work.
- ▶ This collection is artisan-crafted from natural materials with hand-applied finishes. Individual pieces may vary in color, pattern, shape, and texture, making each truly unique.
- ▶ Natural wood may display small splits, knots, joint lines, or other organic features that will not affect the quality or performance of your piece.
- ▶ Furniture made from natural wood may move slightly due to temperature and humidity. This is normal and should be expected from season to season.
- ▶ If you wish, the artisans can specially customize your Bell'Arte piece by hand-painting your name (up to three words) on the underside for no additional cost. Visit your local store or call to order.
- ▶ Keep your furniture looking its best. Visit arhaus.com or speak to any Arhaus Design Consultant for care recommendations.

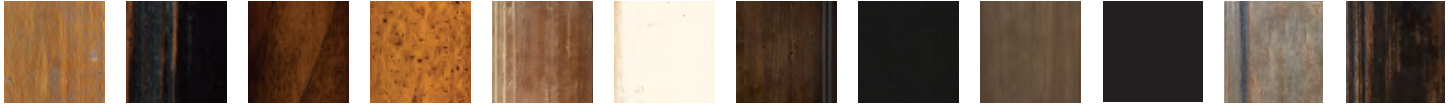


ARHAUS®

your home

available by special order

Dining Table | 42" diameter x 31" h | 48" diameter x 31" h | 54" diameter x 31" h | 60" diameter x 31" h | 71" diameter x 31" h



Antique Camel Rubbed Black Cantina Bassano Old English Walnut Verona Rubbed Ivory Noceto Solid Black Porfido Midnight Black *Fontaine Blue *Worn Black

**Artisan Finish: Due to the labor-intensive process of creating these finishes, there will be an increase in price.*

before we can place your order, we need to make sure that you agree with the following statements.

please initial each box below to indicate your agreement.

◀ I have selected the above specifications for my order. Images are shown to indicate general color tones but should not be used for color matching.

◀ I understand that if I cancel this order at any time I forfeit my delivery fee and 50% of the item purchase price.

◀ I understand that my selections are special order and will take up to 16 weeks for production. Please allow additional time for delivery.

◀ I've measured my doorways, stairways and entryways to make sure my furniture can be placed in the appropriate room.

customer name: _____

Please sign below to acknowledge your understanding and agreement.

customer signature: _____

order no.: _____ date: _____

design consultants: please fax this form to specialorder@arhaus.com

ARHAUS®

your home

personalization form

* If you wish, the artisans can specially customize your Bell'Arte piece by hand-painting your name (up to three words) on the underside for no additional cost.

personalized description

*The personalization can include up to 3 words. No symbols or characters. This should be hand written in all caps.

Print Name:

Signature of Applicant:

Date:

ASSEMBLING INSTRUCTIONS FOR ANDRIA TABLE

1. Open the table top box on the reverse side- keep the table top facing down inside original packing and lay it on the floor
2. Unpack the table base and put it next to the top: both top and base are marked with an "A". Set the base on the table top matching the two "A".
3. Place the base exactly in the perimeter of template you will find on the back of the table top.
4. In a plastic bag fixed to the pedestal you will find the assembling hardware: metal washers and screws



1.



2.

5. Insert screws in washers and tight them with a screwdriver.
6. Turn the table to normal position.
7. Should the table be unlevelled on the floor, adjust the 4 levellers under base by loosening or tightening them by hand as needed



3.



4.

ARHAUS®

your home

ANNA

CHATHAM DINING CHAIR COLLECTION

MADE IN CHINA

IMAGE NOT
AVAILABLE

DINING CHAIR

24" w x 29.5" d x 40.25" h

Burbank Stone/Stone Vintage

Burbank Natural/Black Drifted

Crypton® Georges Snow/Black Drifted

Crypton® Georges Linen/Black Drifted

30ANFCHBBKS

30ANFCHBBKNT

30ANFCHGRGSW

30ANFCHGRGLN

INSPIRED BY THE INVITING SILHOUETTE OF A CLASSIC WINGBACK CHAIR

Our Anna Dining Chair is made modern for today. Upholstered in soft, textured performance fabric, Anna is crafted for comfort and designed to stand up to the spills and stains of everyday living.

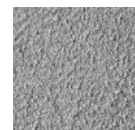
PRODUCT DETAILS

- + Frame is crafted from oak.
- + Oak legs feature a protective finish to complement each upholstery fabric and highlight the wood's organic tones.
- + Our sustainably certified Crypton® Georges Snow and Georges Linen Home Performance Fabrics are easy to clean, soft, and durable—engineered with stain-, odor-, and moisture-resistant technology in every fiber.
- + Features a foam-padded, no-sag, sinuous support system beneath seat cushions for evenly dispersed, firm yet flexible comfort.
- + Seat measures 20" h.
- + Keep your furniture looking its best. Visit arhaus.com or speak to any Arhaus Design Consultant for care recommendations.

PERFORMANCE FABRICS:



Burbank Natural



Burbank Stone



Crypton®
Georges Snow



Crypton®
Georges Linen

CRAFT A CUSTOM LOOK

This collection is available in customizable **Fabrics**. Visit a store, call **866.427.4287**, or **live chat** with our Design Team to learn more.

ARHAUS®

your home

ansel



image not available

60" Dining Table
60" w x 42" d x 30" h
Brown Walnut
30ANS60BRRHKT
Seats up to 6

72" Dining Table
72" w x 42" d x 30" h
Brown Walnut
30ANS72BRRHKT
Seats up to 8

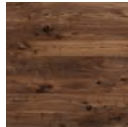
84" Dining Table
84" w x 42" d x 30" h
Brown Walnut
30ANS84BRRHKT
Seats up to 8

50" Bench
50" w x 15" d x 18.5" h
Brown Walnut
30ANS50BNKT

60" Bench
60" w x 15" d x 18.5" h
Brown Walnut
30ANS60BNKT

70" Bench
70" w x 15" d x 18.5" h
Brown Walnut
30ANS70BNKT

Finishes:



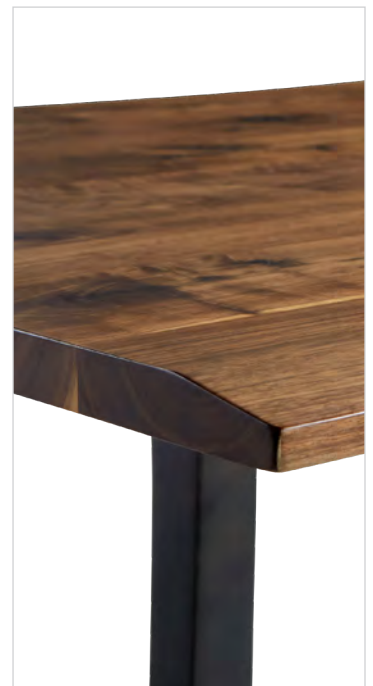
Brown
Walnut

organically inspired

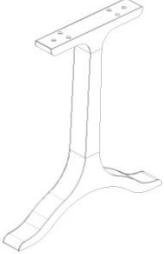
To celebrate nature, our Ansel Dining Collection is sculpted by Amish woodworkers, mimicking the varied thickness and dynamic details found in organically shaped timber. Walnut wood is sustainably grown in America and selected for their stunning grain patterns, texture, and color. Using traditional techniques, a small community comes together—each specialized craftsman responsible for a specific task as each piece moves from workshop to workshop. Every plank is hand-painted with oil, stain, and high-gloss varnish to accentuate the woods' inherent qualities, resulting in simple yet striking finishes that bring romance to your space.

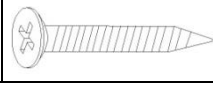
product details

- ▶ Tabletops are handcrafted by a community of Amish woodworking artisans.
- ▶ Pieces finished in Brown Walnut or Bleached Walnut are crafted from solid American walnut.
- ▶ Tabletops are sculpted to mimic the natural features found in organically shaped wood.
- ▶ Tabletops are treated with oil and hand-stained to accentuate the wood's natural texture and coloring.
- ▶ Surfaces are finished with a high-gloss varnish for added protection.
- ▶ Walnut wood pieces will vary in color from light to dark browns.
- ▶ Our Rhett dining bases complement the paired tops, contrasting the natural wood tones with black cast aluminum and a contemporary trestle style.
- ▶ This collection is artisan-crafted from natural materials with hand-applied finishes. Individual pieces may vary in color, pattern, shape, and texture, making each truly unique.
- ▶ Natural wood may display small splits, knots, joint lines, or other organic features that will not affect the quality or performance of your piece.
- ▶ Furniture made from natural wood may move slightly due to temperature and humidity. This is normal and should be expected from season to season.
- ▶ Keep your furniture looking its best. Visit arhaus.com or speak to any Arhaus Design Consultant for care recommendations.



RHETT DINING BENCH ASSEMBLY INSTRUCTIONS

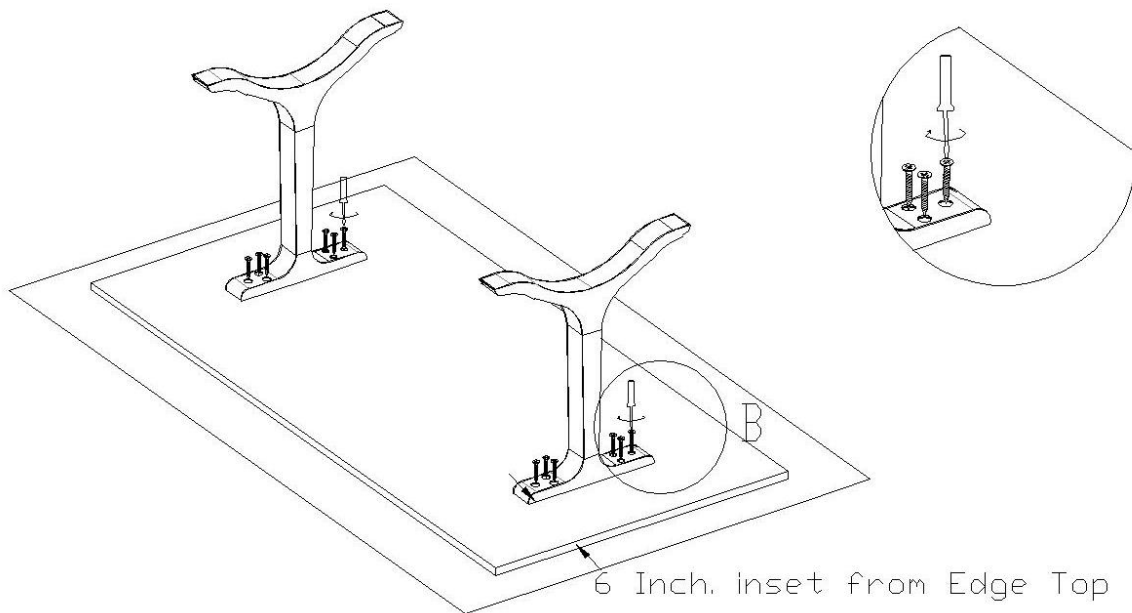
No.	ITEM	DESCRIPTION	QTY
A		RHETT DINING BENCH	2

No.	ITEM	DESCRIPTION	QTY
X		Counter Head Screw	12
NOTE:- Screw Driver not included <u>Please place the dining bench on a soft mat for assembling</u>			

HARDWARE KIT: 91RHETTBS

ASSEMBLY INSTRUCTIONS

1. Remove the packaging carefully and take out the Rhett Bench along with the hardware kit
2. Attach the base to the top as shown in the drawing below.
3. Please place the bases at 6" distance from sides.
4. Tighten the Wooden Screws (X) as shown in the drawing below.
5. Product is now ready to use.



CARE INSTRUCTIONS

1. Clean with soft cloth.
2. Do not use abrasive cleaners, chemical cleaners, or metal polishes.

IMPORTANT SAFETY INSTRUCTIONS

1. Do not allow children to play on or around the furniture.



HANDCRAFTED COMFORT AND STYLE

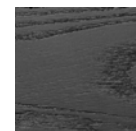
Transitional style with luxurious upholstery, our Antonella Dining Chair Collection is handcrafted by master artisans in a region of Italy known for its furniture making. Our exclusive partners for more than 20 years, a family of artists and craftsmen build each chair by hand. Antonella's exquisite design features hand-sewn upholstery, hand-applied and artfully distressed finishes, and a modern flair that perfectly accents any dining space.

PRODUCT DETAILS

- + Dining chair frames handcrafted by Italian artisans are built with birch plywood supporting the seat and solid poplar plywood supporting backrests.
- + Legs crafted from solid beech wood feature hand-applied, layered finishes that are artfully distressed and lacquered for an elegant, timeworn appearance.
- + Seats and backrests are generously padded with dense foam sustained by a flexible network of durable webbing designed for comfortable, evenly dispersed support.
- + Our Performance Fabrics are extremely durable and resist stains and fading, yet remain beautiful and soft to the touch.
- + Handcrafted furnishings made from natural materials with hand-applied finishes may vary in color, pattern, shape, and texture.
- + Natural wood may display small splits, knots, joint lines, or other organic features that add character to your piece without affecting quality or performance.
- + Dining chair seats measure 19.09" h.
- + Arm chair arms measure 25.39" h.
- + Keep your furniture looking its best. Visit arhaus.com or speak to any Arhaus Design Consultant for care recommendations.



PERFORMANCE
FABRIC:
Trigo Moss



FINISH:
Vesuvio Black

CRAFT A CUSTOM LOOK

This collection is available in customizable **Fabrics**.

Visit a store, call **866.427.4287**, or **live chat** with our Design Team to learn more.



SIDE CHAIR

22.5" w x 27.5" d x 39.5" h
Trigo Moss/Vesuvio Black

30ANTTGMSSDC



ARM CHAIR

23.5" w x 27.5" d x 39.5" h
Trigo Moss/Vesuvio Black

30ANTTGMSARC

ARHAUS®

your home

anwar



Finishes:

Komodo
Brown (top)



Antiquated
Bronze (base)



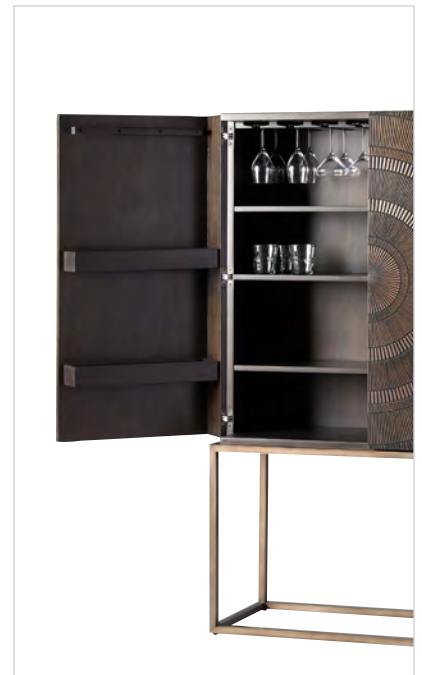
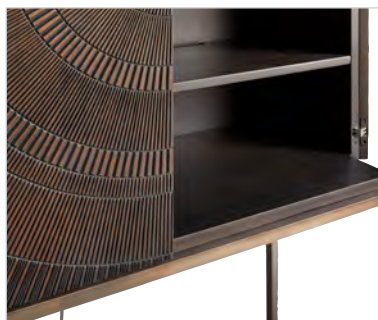
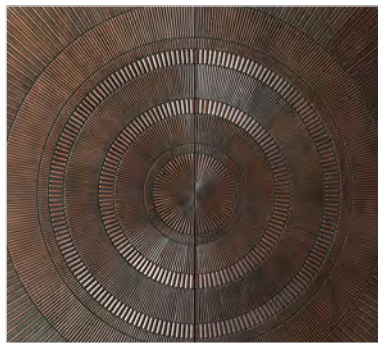
Bar Cabinet
45" w x 18" d x 71" h
30ANWCVBAR

Hand-carved by Indonesian artisans from solid mahogany and mahogany veneers

the doors of our Anwar Bar Cabinet are inspired by the intricate detailing found in doorways and thresholds throughout Indonesia. Each set of Anwar's cabinet doors is sculpted by a single artist from start to finish—carving every detail by hand over three days. Finished pieces are carefully sanded, stained and sealed with lacquer before being set atop steel bases with Antiquated Bronze patinas.

product details

- ▶ Handcrafted by Indonesian artisans from solid mahogany and mahogany veneers.
- ▶ Cabinet doors are hand-carved by a single artist from start to finish, over three days.
- ▶ Finished cabinets are sanded and stained by hand, then sealed with lacquer for added protection.
- ▶ Adjustable shelving and wine glass storage in cabinet doors provide convenient space for barware and other essentials.
- ▶ Cabinet bases are crafted from steel and feature an Antiquated Bronze finish.
- ▶ Keep your furniture looking its best. Visit arhaus.com or speak to any Arhaus Design Consultant for care recommendations.



ARHAUS®

your home

arturo



48" Hutch & Buffet

48" w x 20.5" d x 89.5" h
Marmo 30ARTUHB48M
Bianco 30ARTUHB48B

61" Hutch & Buffet

61" w x 20.5" d x 89.5" h
Marmo 30ARTUHB61M
Bianco 30ARTUHB61B



74" Hutch & Buffet

74" w x 20.5" d x 89.5" h
Marmo 30ARTUHB74M
Bianco 30ARTUHB74B

92" Hutch & Buffet

92" w x 20.5" d x 89.5" h
Marmo 30ARTUHB92M
Bianco 30ARTUHB92B

Finishes:



Marmo



Bianco

your style your way

Craft a custom design that tells your style story.

This collection is available in special-order

Finishes and More.

Ask in store or call **866.427.4287**

***All Bell'Arte dining pieces are made to order.**

a true masterpiece

Centuries-old woodworking techniques are used to craft every exquisite detail of our exclusive Bell'Arte collection. Handcrafted to order in a region of Italy renowned for its furniture-making, our dedicated artisans treat each unique piece like a work of art. Cabinetry is built from solid tulip wood and masterfully finished by hand, combining layers of stain, paint, and lacquer—a process which takes over three days to complete per piece. Our Arturo Hutch and Buffet feature spectacular crown moulding and traditional raised-panel doors that infuse each piece with architectural drama and formal elegance.

product details.

- ▶ As with the rest of our Arhaus-exclusive Bell'Arte Collection, these pieces are handcrafted in a region of Italy renowned for its furniture-making.
- ▶ Craftsman-built from tulip wood—a wood prized in the making of fine furniture—using mortise-and-tenon assembly for superior durability and structural reliability.
- ▶ Wood surfaces display distinct “fingerprints” with unique patterns of natural grain.
- ▶ Antique finishes are hand-painted with elegant floral detailing. Layered tones are slightly aged and lacquered, resulting in a timeworn appearance.
- ▶ Italian artisans meticulously carve all details by hand, making each piece truly one-of-a-kind.
- ▶ Vintage-inspired antiqued brass pharmacy pulls and key closures accentuate cabinet doors and drawers.
- ▶ Dramatic crown molding and traditional raised panels add architectural interest to the silhouette.
- ▶ Buffets feature two cabinet doors, an adjustable shelf, and four drawers.
- ▶ Drawers are reinforced dovetail joints for lasting stability and ease of movement.
- ▶ Hutches are designed with two sliding, beveled-glass doors and lighted interiors.
- ▶ After the finishing process, which takes three days to complete, the artisans sign “Hand-painted in Italy” in Italian and date their work.
- ▶ This collection is artisan-crafted from natural materials with hand-applied finishes. Individual pieces may vary in color, pattern, shape, and texture, making each truly unique.
- ▶ Natural wood may display small splits, knots, joint lines, or other organic features that will not affect the quality or performance of your piece.
- ▶ Furniture made from natural wood may move slightly due to temperature and humidity. This is normal and should be expected from season to season.
- ▶ If you wish, the artisans can specially customize your Bell'Arte piece by hand-painting your name (up to three words) on the underside for no additional cost. Visit your local store or call to order.
- ▶ Keep your furniture looking its best. Visit arhaus.com or speak to any Arhaus Design Consultant for care recommendations.

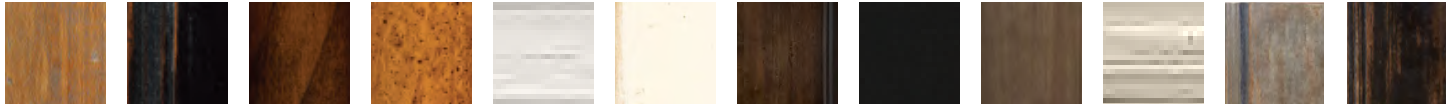


ARHAUS®

your home

available by special order

Hutch & Buffet | 48" w x 20.5" d x 89.5" h | 61" w x 20.5" d x 89.5" h | 74" w x 20.5" d x 89.5" h | 92" w x 20.5" d x 89.5" h



Antique Camel Rubbed Black Cantina Bassano Old English Walnut Bianco Ivory Noceto Solid Black Porfido Marmo *Fontaine Blue *Worn Black

**Artisan Finish: Due to the labor-intensive process of creating these finishes, there will be an increase in price.*

before we can place your order, we need to make sure that you agree with the following statements.

please initial each box below to indicate your agreement.

◀ I have selected the above specifications for my order. Images are shown to indicate general color tones but should not be used for color matching.

◀ I understand that if I cancel this order at any time I forfeit my delivery fee and 50% of the item purchase price.

◀ I understand that my selections are special order and will take up to 16 weeks for production. Please allow additional time for delivery.

◀ I've measured my doorways, stairways and entryways to make sure my furniture can be placed in the appropriate room.

customer name: _____

Please sign below to acknowledge your understanding and agreement.

customer signature: _____

order no.: _____ date: _____

design consultants: please fax this form to specialorder@arhaus.com

ARHAUS®

your home

personalization form

* If you wish, the artisans can specially customize your Bell'Arte piece by hand-painting your name (up to three words) on the underside for no additional cost.

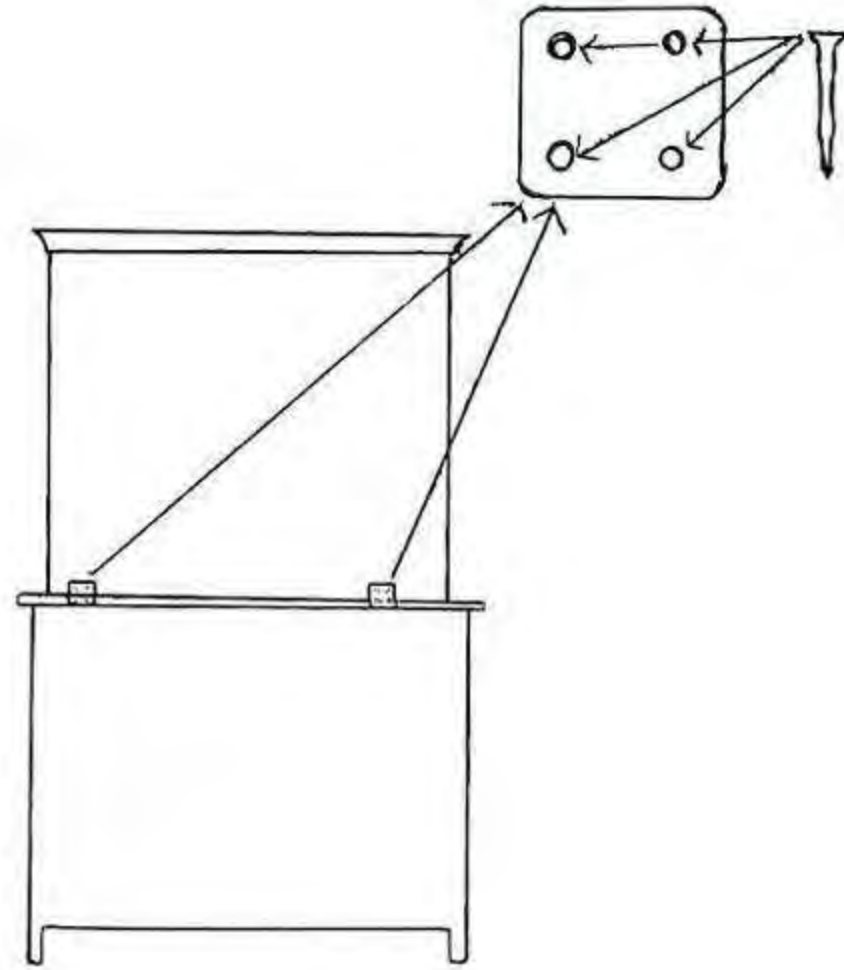
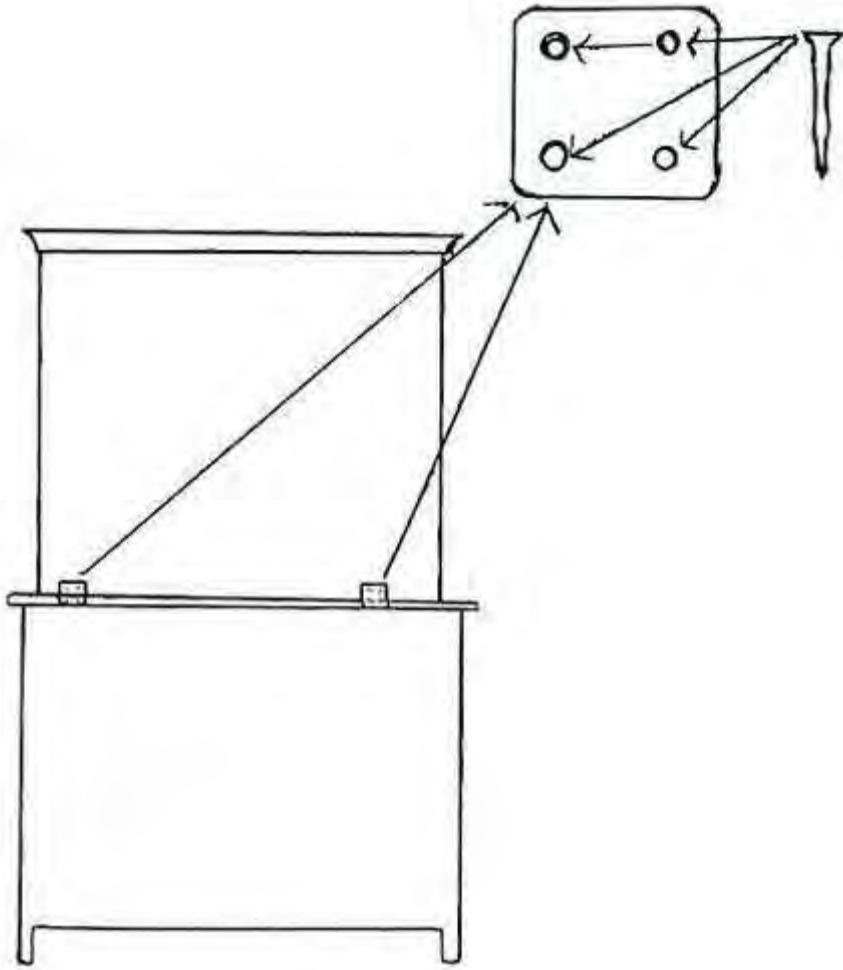
personalized description

*The personalization can include up to 3 words. No symbols or characters. This should be hand written in all caps.

Print Name:

Signature of Applicant:

Date:



ARHAUS®

your home

asolo



60" Dining Table

61" round x 31" h

Worn Black 30ASO60BLKKT

71" Dining Table

71" round x 31" h

Worn Black 30ASO71BLKKT

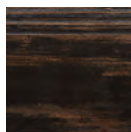


Credenza

84" w x 20.5" d x 42.5" h

30ASOCRED

Finishes:



Worn
Black

your style your way

Craft a custom design that tells your style story.

This collection is available in special-order **Finishes** and **More**.

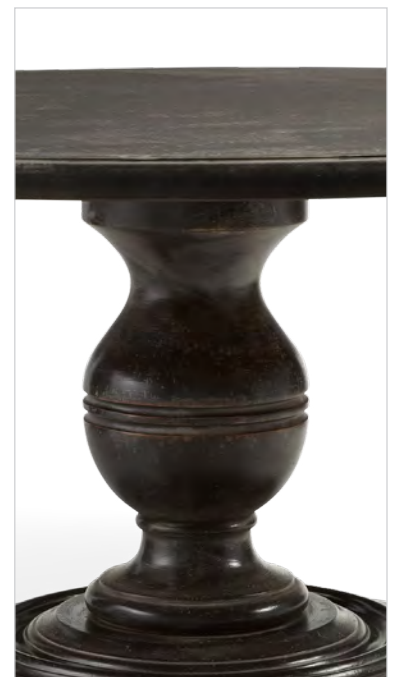
Ask in store or call **866.427.4287**

from the city of a hundred horizons

Our enchanting Asolo Dining Collection is meticulously brought to life by artisans perched among the lush mountains of Northern Italy. Using time-honored techniques, craftsmen construct each exquisite piece from solid wood, imparting an elegant Old World aesthetic. Every striking detail is artfully hand-sculpted, and dramatic multi-tonal patinas are hand-painted with rich tones. Antiqued finishes are carefully distressed for a naturally aged appearance and protected to sustain their beauty for ages.

product details

- ▶ Dining tables are constructed from solid poplar wood.
- ▶ Credenzas are constructed from solid tulip wood and tulip veneers—added to protect top and side surfaces from cracking or warping.
- ▶ Antique finishes are laboriously applied by hand-painting multiple layers of rich stains, which are then carefully distressed for a timeworn appearance.
- ▶ Finishes are lacquered for added protection and a subtle sheen.
- ▶ Curvaceous ridge detailing and moulding is meticulously carved by hand.
- ▶ Credenzas feature three cabinets—a central double-door cabinet containing a shelf and two drawers; and two flanking cabinets, each containing two shelves.
- ▶ This collection is artisan-crafted from natural materials with hand-applied finishes. Individual pieces may vary in color, pattern, shape, and texture, making each truly unique.
- ▶ Natural wood may display small splits, knots, joint lines, or other organic features that will not affect the quality or performance of your piece.
- ▶ Furniture made from natural wood may move slightly due to temperature and humidity. This is normal and should be expected from season to season.
- ▶ 60" dining table seats up to 8.
- ▶ 71" dining table seats up to 10.



asolo | dining collection | made in Italy

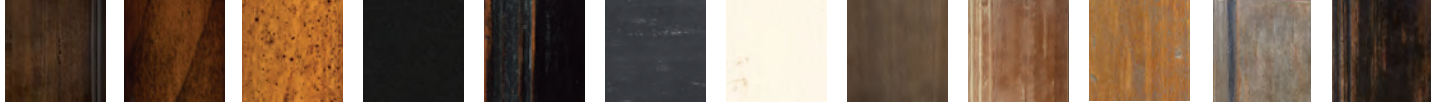
Dimensions may vary slightly. Please ensure furnishings fit through interior structures and into desired space before purchase.

ARHAUS®

your home

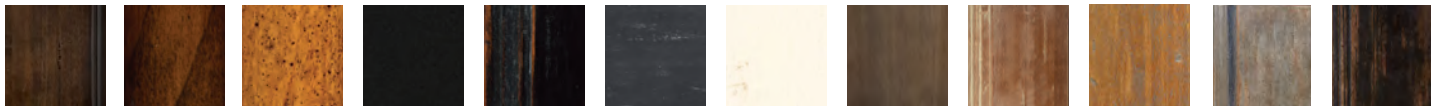
available by special order

Dining table | 42" Round | 47.25" Round Extension | 48" Round | 54" Round | 60" Round | 71" Round



Noceto Cantina Bassano Old English Walnut Solid Black Rubbed Black Midnight Black Ivory Porfido Verona Antique Camel *Fontaine Blue *Worn Black

Credenza | 84" w x 20.5" d x 42.5" h



Noceto Cantina Bassano Old English Walnut Solid Black Rubbed Black Midnight Black Ivory Porfido Verona Antique Camel *Fontaine Blue *Worn Black

*Artisan finishes: Due to the labor-intensive process of creating these finishes, there will be an increase in price.

before we can place your order, we need to make sure that you agree with the following statements.

please initial each box below to indicate your agreement.

◀ I have selected the above specifications for my order. Images are shown to indicate general color tones but should not be used for color matching.

◀ I understand that if I cancel this order at any time I forfeit my delivery fee and 50% of the item purchase price.

◀ I understand that my selections are special order and will take up to 16 weeks for production. Please allow additional time for delivery.

◀ I've measured my doorways, stairways and entryways to make sure my furniture can be placed in the appropriate room.

customer name: _____

Please sign below to acknowledge your understanding and agreement.

customer signature: _____

order no.: _____ date: _____

design consultants: please email this form to specialorder@arhaus.com

ARHAUS

FURNISHING A BETTER WORLD®

ASSEMBLING INSTRUCTIONS FOR ASOLO TABLE

1. Open the table top box on the reverse side- keep the table top facing down inside original packing and lay it on the floor
2. Unpack the table base and put it next to the top: both top and base are marked with an "A". Set the base on the table top matching the two "A".
3. Place the base exactly in the perimeter of template you will find on the back of the table top.
4. In a plastic bag fixed to the pedestal you will find the assembling hardware



5. Insert screws in washers and tight them with a screwdriver.
6. Turn the table to normal position.
7. Should the table be unlevelled on the floor, adjust the 4 levellers under base by loosing or tightening them by hand as needed



HARDWARE KIT: 30ASOLOBOLT

DINING PARTS SKUS

CATEGORY	SKU	DESCRIPTION	STATUS	COLLECTION	ROUTE
DINING	91ASOLCRDHNG	ASOLO CREDENZA DOOR HINGE DOOR HINGE	A	PT-ASOLO	PART
DINING	91ASOLCRDKEY	ASOLO CREDENZA KEY CREDENZA KEY	A	PT-ASOLO	PART
DINING	91ASLCRDKYPT	ASOLO CREDENZA KEYHOLE PLATE ESCUTCHEON	A	PT-ASOLO	PART
DINING	91ASOLCRDPEG	ASOLO CREDENZA SHELF SLAT/PEG SHELF SLAT/PEG	A	PT-ASOLO	PART
DINING	30ASOLOBOLT	ASOLO DINING TABLE HARDWARE BOLT:M10-1.5X50 - ALL FINISHES	A	PT-ASOLO	PART
DINING	91ATMVDRWPEG	UNIVERSL ITALY BUFF DRAWER PEG ASOLO,TUSCANY,MESSINA,VITTORIA	A	PT-ASOLO	PART

ARHAUS®

your home

dining bases

LYON

20" w x 20" d x 29" h each

Aged Brass 30LYONBRBS2

Black 30LYONBLBS2

Antique Pewter 30LYONPWBS2

Top Variations

» Nobelle tops, Recycled Metal tops

Top Accommodations

- » Rectangular and oval tops
- » 60"-90" widths
- » 38"-52" depths
- » Set of two supports up to 400 lbs.



WELLS

15" w x 30" d x 29" h each

Aged Brass 30WELLSBRBS

Black 30WELLSBRBS2

Antique Pewter 30WELLSPWBS

Top Variations

» Nobelle tops, Recycled Metal tops

Top Accommodations

- » Round, rectangular, and square tops
- » Base sections can be placed together to form a circle or pulled apart to accommodate larger tops.
- » 60"-80" widths
- » 38"-48" depths
- » 48"-60" diameters
- » Set of two supports up to 250 lbs.



HARDYN

30" w x 10" d x 29" h each

Aged Brass 30HARDYNBRBS

Black 30HARDYNBLBS

Antique Pewter 30HARDYNPWBS

Top Variations

» Nobelle tops, Recycled Metal tops

Top Accommodations

- » Rectangular and oval tops
- » 60"-90" widths
- » 38"-52" depths
- » Set of two trestles supports up to 400 lbs.



ARVADA (LARGE)

30ARVADABS

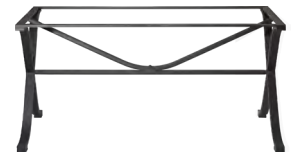
48" w x 30" d x 29" h

Top Variations

» Nobelle tops, Recycled Metal tops

Top Accommodations

- » Rectangular and oval tops
- » 72"-90" widths
- » 36"-68" depths
- » Supports up to 220 lbs.



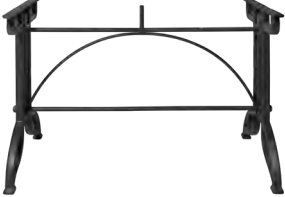

custom dining options to suit your space.

Create a dining table that complements your home and matches your style. At Arhaus, we can help you craft an ideal table for your formal dining room or everyday kitchen nook using our wide array of table bases. From decorative, forged, iron bases to traditional pedestals made from engineered hardwoods, our collection can accommodate almost any tabletop. Or, select a base and pair it with any of our square, rectangular, round or oval tabletops—made from wood, recycled metal or glass.



ARHAUS®

your home

<p>ARVADA (SMALL) 30ARVADSMBS 36" w x 22" d x 29" h</p> <p>Top Variations</p> <ul style="list-style-type: none"> » Nobelle tops, Recycled Metal tops <p>Top Accommodations</p> <ul style="list-style-type: none"> » Rectangular and oval tops » 60"–80" widths » 28"–60" depths » Supports up to 220 lbs. 		<p>CHANTEL (LARGE) 30CHANT52BS 52" w x 28" d x 28" h</p> <p>Top Variations</p> <ul style="list-style-type: none"> » Nobelle tops, Recycled Metal tops <p>Top Accommodations</p> <ul style="list-style-type: none"> » Rectangular and oval tops » Up to 92" width » Up to 60" depth » Supports up to 330 lbs. 	
<p>CHANTEL (SMALL) 30CHANT42BS 42" w x 22.75" d x 28" h</p> <p>Top Variations</p> <ul style="list-style-type: none"> » Nobelle tops, Recycled Metal tops <p>Top Accommodations</p> <ul style="list-style-type: none"> » Rectangular and oval tops » Up to 92" width » Up to 60" depth » Supports up to 330 lbs. 		<p>EDISON (LARGE) 30EDISONLGBS 33" w x 33" d x 30"–42" h</p> <p>Top Variations</p> <ul style="list-style-type: none"> » Nobelle tops, Recycled Metal tops <p>Top Accommodations</p> <ul style="list-style-type: none"> » Round and square tops » Up to 60" diameter/width » Supports up to 160 lbs. » Top connection plate is 18" w x 18" d 	
<p>EDISON (SMALL) 30EDISONBS 20" w x 20" d x 30"–42" h</p> <p>Top Variations</p> <ul style="list-style-type: none"> » Nobelle tops, Recycled Metal tops <p>Top Accommodations</p> <ul style="list-style-type: none"> » Round and square tops » 30"–38" diameters/widths » Supports up to 70 lbs. » Top connection plate is 14" w x 14" d 		<p>KENYA COUNTER 30COUNTB35 30" diameter x 36" h</p> <p>Top Variations</p> <ul style="list-style-type: none"> » Nobelle tops, Recycled Metal tops <p>Top Accommodations</p> <ul style="list-style-type: none"> » Round and square tops » 38"–60" diameters/widths » Supports up to 200 lbs. 	
<p>KENYA BAR 30BARBS2 30" diameter x 40.25" h</p> <p>Top Variations</p> <ul style="list-style-type: none"> » Nobelle tops, Recycled Metal tops <p>Top Accommodations</p> <ul style="list-style-type: none"> » Round and square tops » 38"–60" diameters/widths » Supports up to 200 lbs. 		<p>KENYA DINING 30KENYABS2 36" diameter x 29" h</p> <p>Top Variations</p> <ul style="list-style-type: none"> » Reina tops, Nobelle tops, Recycled Metal tops <p>Top Accommodations</p> <ul style="list-style-type: none"> » Round and square tops » 42"–76" diameters/widths » Supports up to 300 lbs. 	
<p>TRIESTE 30TRIESBL3 34.5" diameter x 29" h</p> <p>Top Variations</p> <ul style="list-style-type: none"> » Nobelle tops, Recycled Metal tops <p>Top Accommodations</p> <ul style="list-style-type: none"> » Round and square tops » 48"–75" diameters/widths » Supports up to 160 pounds 		<p>T-SHAPED DINING BASE 25" w x 15" d x 28" h each</p> <p>Black Iron 3431325BASE Brass 34982TBBS Pewter Brass 34982TPBS</p> <p>Top Variations</p> <ul style="list-style-type: none"> » Recycled Metal tops, Live Edge tops <p>Top Accommodations</p> <ul style="list-style-type: none"> » Set of two supports up to 330 lbs. 	

ARHAUS®

your home

T-SHAPED BAR BASE

15" w x 12" d x 40" h each

Black Iron 34313T40

Top Variations

- » Recycled Metal tops, Live Edge tops

Top Accommodations

- » Set of two supports up to 220 lbs.



INDUSTRIAL CRANK DESK (SMALL)

55INDCRDKBSSM

47" w x 20" d x 30"-36" h

Top Variations

- » Recycled Metal tops, Nobelle tops, Glass tops

Top Accommodations

- » Rectangular and oval tops
- » 47"-84" widths
- » 20"-60" depths
- » Supports up to 250 lbs.
- » Crank mechanism lifts up to 150 lbs.



INDUSTRIAL CRANK DESK (LARGE)

55INDCRDKBS3

59.5" w x 23.5" d x 30"-36" h

Top Variations

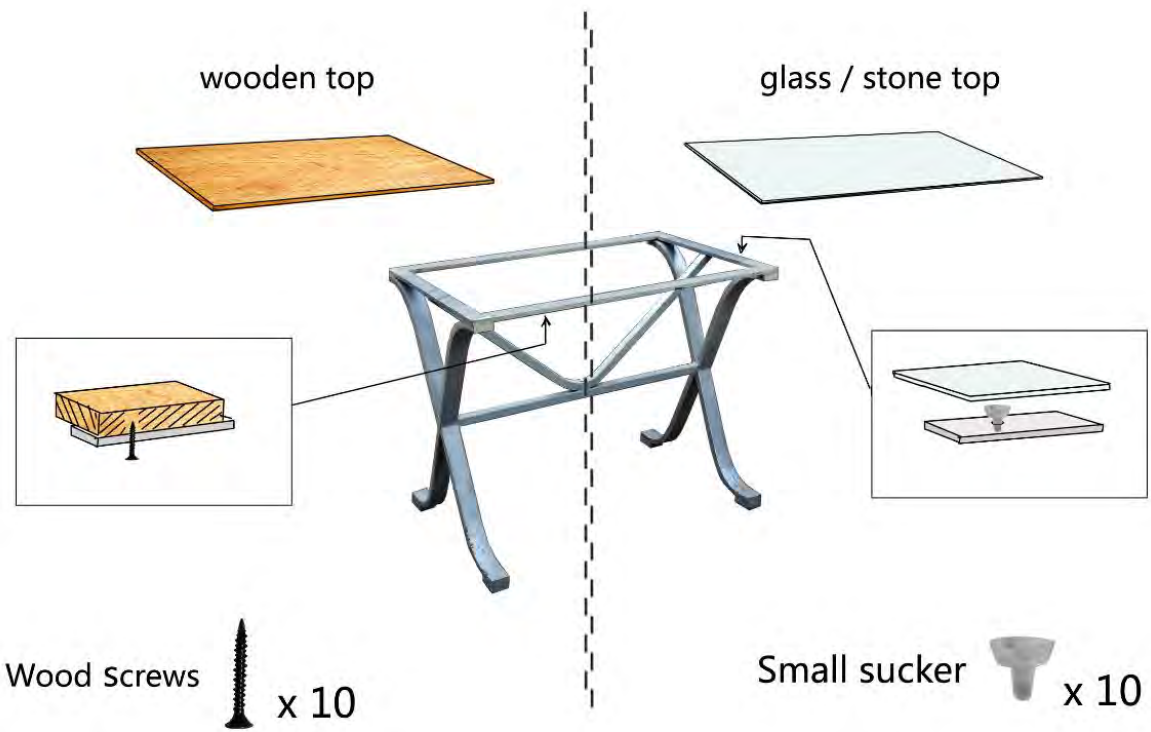
- » Recycled Metal tops, Nobelle tops, Glass tops

Top Accommodations

- » Rectangular and oval tops
- » 60"-96" widths
- » 24"-68" depths
- » Supports up to 250 lbs.
- » Crank mechanism lifts up to 150 lbs.




ASSEMBLY INSTRUCTIONS FOR ARVADA BASE

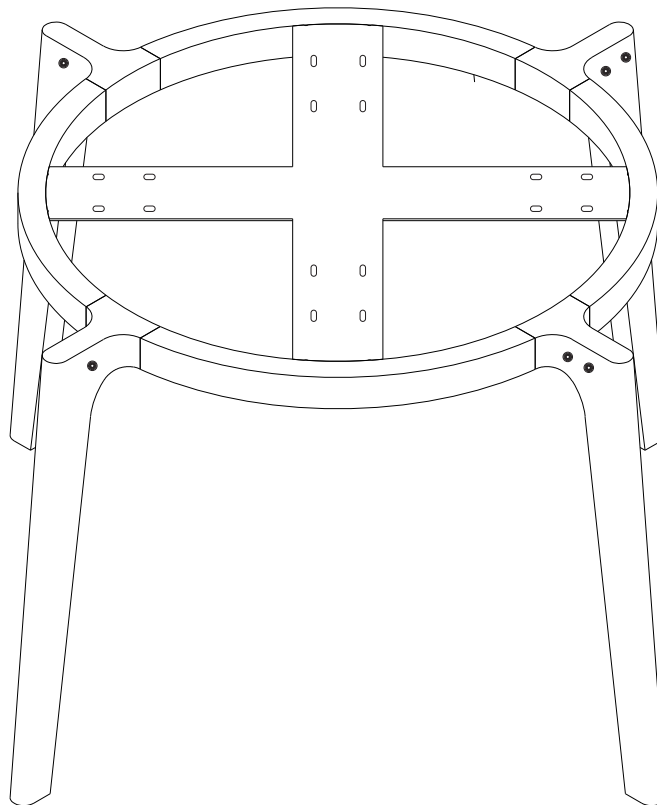


ARHAUS®

your home

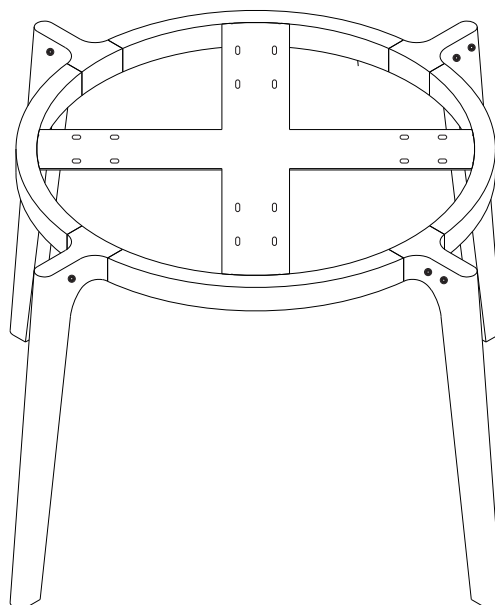
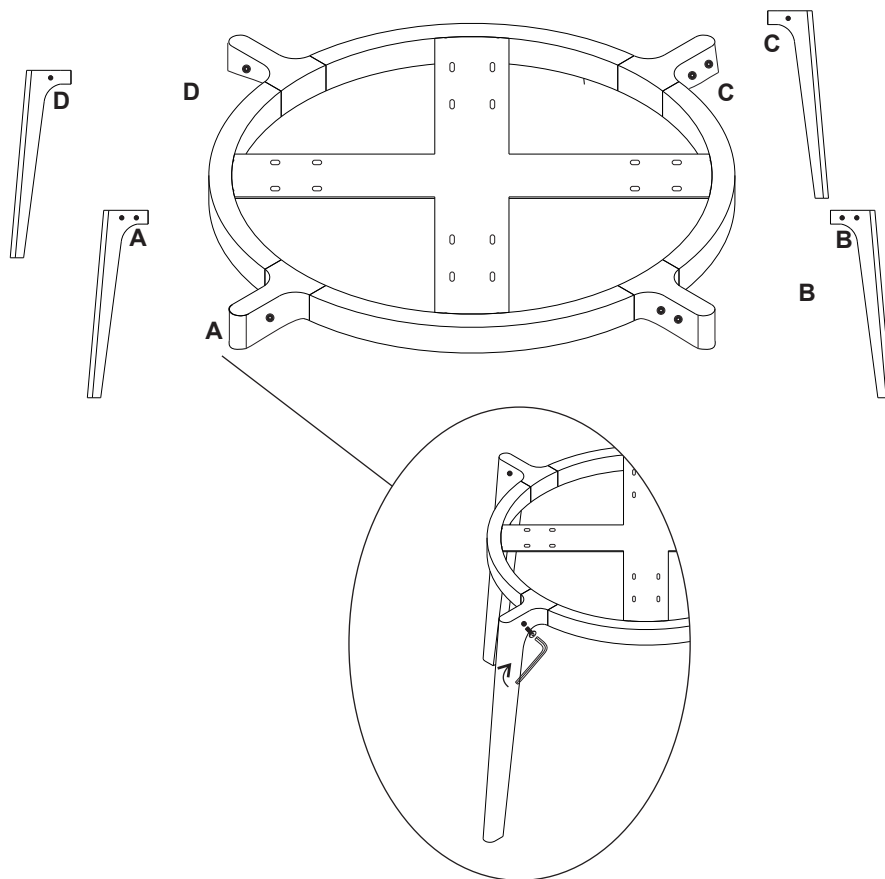
DESCRIPTION

NO.	ITEM	DESCRIPTION	QTY
A		Frame	1
B		Legs	4
C		Allen Screw CSK Head M8 x 20MM	12
D		Allen Key	1
E		Wooden Screw & Washer M4 x 32MM	16 Set



Step 1 : Match 4 Legs with the 4 corners of metal frame as per alphabetic markings.

Step 2 : Tighten 3 allen bolts on each leg through frame corner with the help of allen key. Allen key & bolts are included in hardware kit.





CARE INSTRUCTIONS



1. Clean with soft cloth.
2. Do not use abrasive cleaners, chemical cleaners, or metal polishes.

IMPORTANT SAFETY INSTRUCTIONS

1. Do not allow children to play on or around the furniture.

DESCRIPTION

NO.	ITEM	DESCRIPTION	QTY
A		Universal Connection Plate	1
B		Table Base	1

NO.	ITEM	DESCRIPTION	QTY
X		Wooden Screw	16
Y		Washer	16

NOTE:-

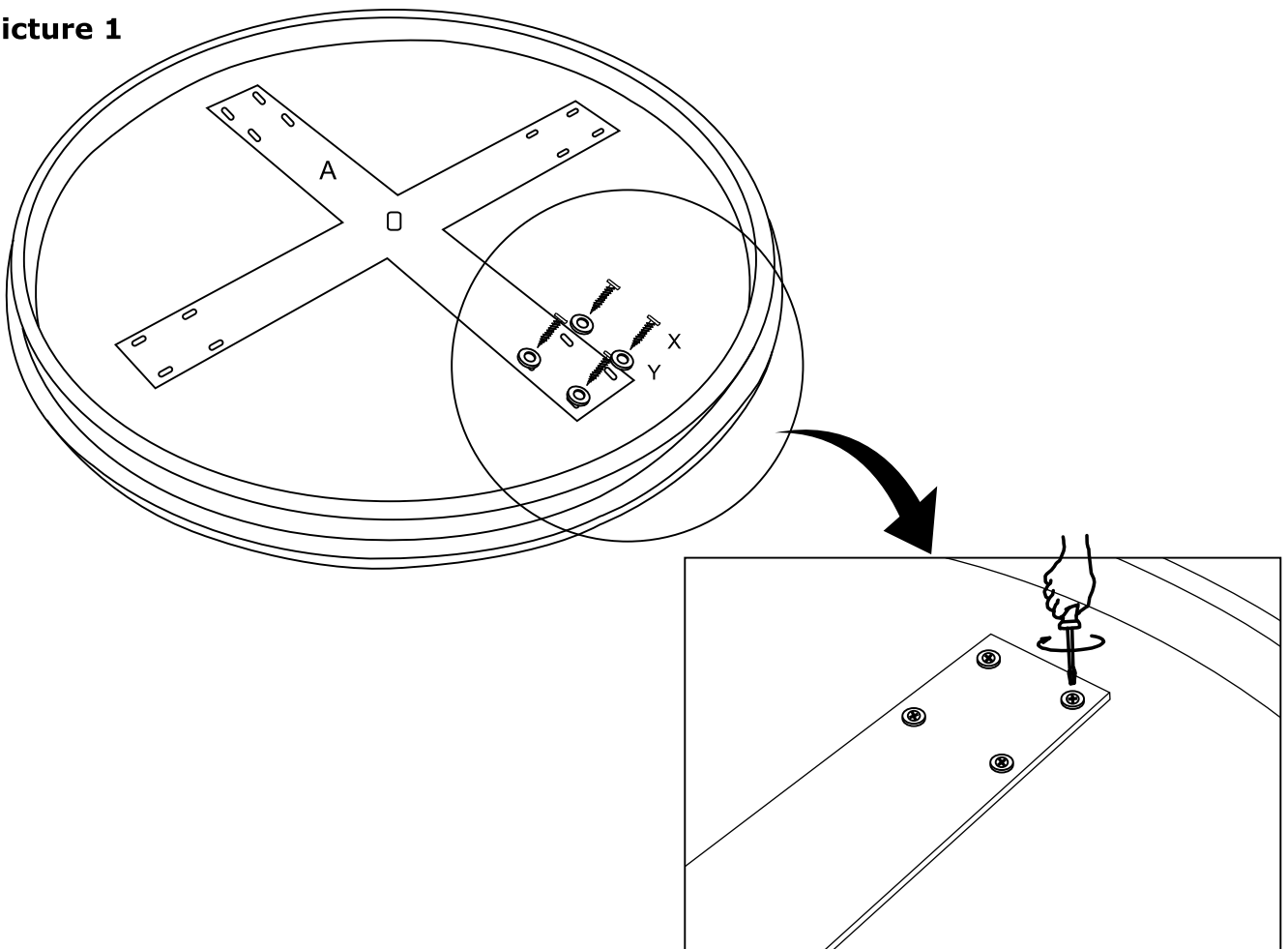
Screw Driver not included

Please place the cleo base on a soft mat for assembling.

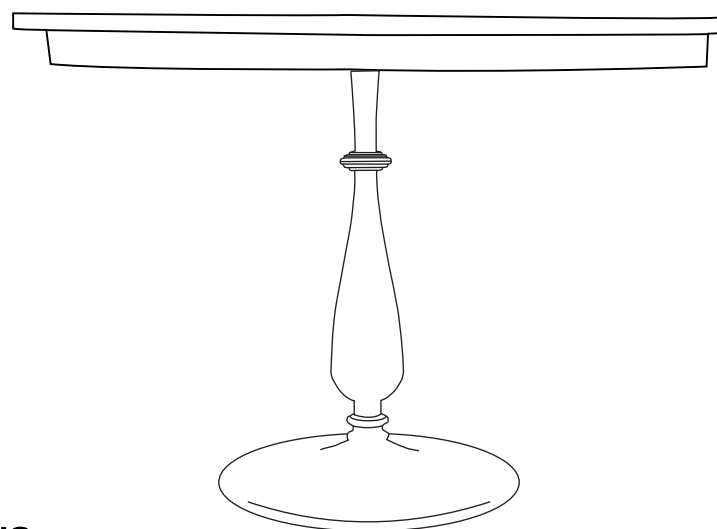
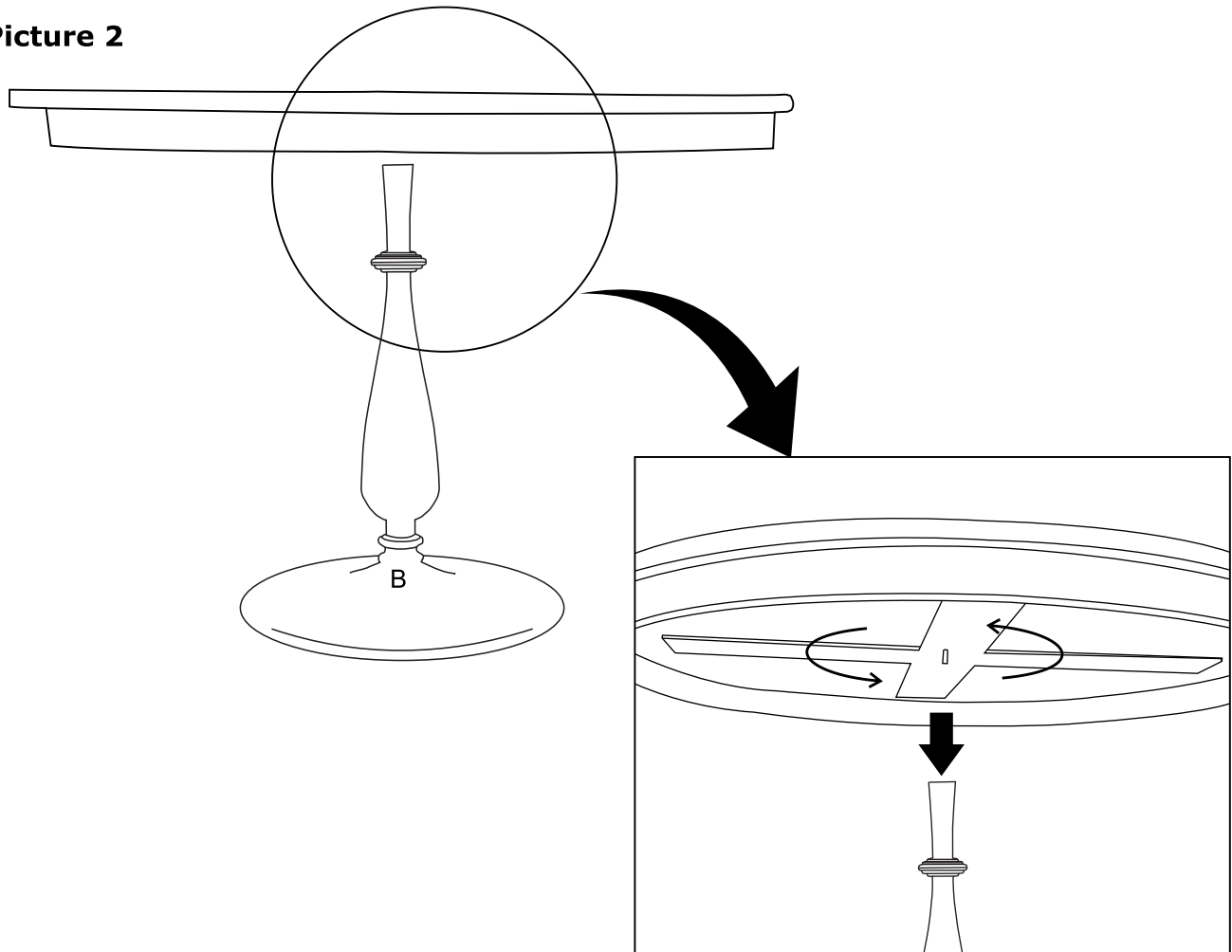
ASSEMBLY INSTRUCTIONS :

1. Place top upside down on soft mat at floor.
2. Place Universal Connection Plate (A) at the center of top as shown on picture 1 below.
3. Fix Universal Connection Plate (A) with Screws (X) & Washers (Y) included in pack with the help of screw driver.
4. Lift & place top on base & rotate to tighten on the base as shown in picture 2.

Picture 1



Picture 2



CARE INSTRUCTIONS

1. Clean with soft cloth.
2. Do not use abrasive cleaners, chemical cleaners, or metal polishes.

IMPORTANT SAFETY INSTRUCTIONS

1. Do not allow children to play on or around the furniture.

ARHAUS®

your home

edison



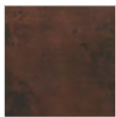
Table Base

20" w x 20" d x 30"-42" h 30EDISONBS
33" w x 33" d x 30"-42" h 30EDISONLGBS

Finish



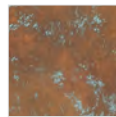
Copper



Chocolate
Copper



Zinc Alloy



Copper
Verdigris*

36" Dining Table

36" diameter x 31.25"-43.25" h
Copper 30EDISON36COP
Chocolate Copper 30CHOCC36ED
Zinc Alloy 30ZINCAL36ED

38" Dining Table

38" diameter x 31.25"-43.25" h
Copper 30EDISON38COP
Chocolate Copper 30CHOCC38EDT
Zinc Alloy 30ZINCAL38ED

48" Dining Table

48" diameter x 31.25"-43.25" h
Copper 30EDISON48COP
Chocolate Copper 30CHOCC48EDT
Zinc Alloy 30ZINCAL48ED

54" Dining Table

54" diameter x 31.25"-43.25" h
Copper 30EDISON54COP
Chocolate Copper 30CHOCC54EDT
Zinc Alloy 30ZINCAL54ED

60" Dining Table

60" diameter x 31.25"-43.25" h
Copper 30EDISON60COP
Chocolate Copper 30CHOCC60EDT
Zinc Alloy 30ZINCAL60ED

your style your way

Craft a custom design that tells your style story. This collection is available in special-order **Sizes, Shapes, Finishes** and **Configurations**.

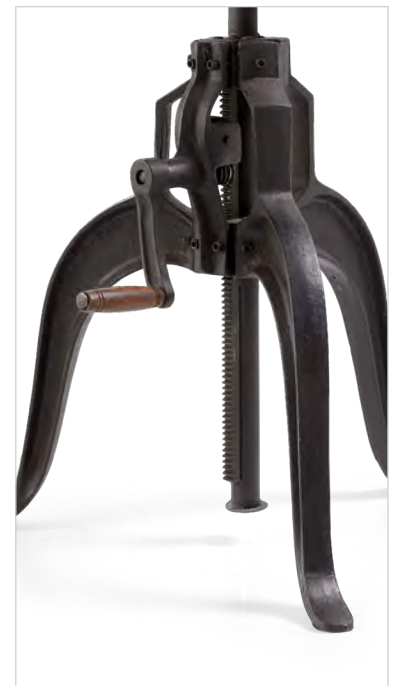
Ask in store or call **866.427.4287**

stunning mechanics

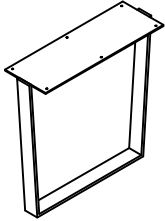
Working gears, moving parts, and functioning cranks define the aesthetic of our Edison dining tables. Antique black finishes are applied to solid iron table bases equipped with wooden handles to lower or raise tabletops to fit any occasion. Three gently curved legs support tabletops—shown as one of our trademark recycled metal tables; made with 100 percent recycled copper.


product details

- ▶ Handmade in India, Edison table bases are cast by artisans from solid iron and welded together.
- ▶ Table bases are finished with an antique black wax, creating a subtly aged appearance.
- ▶ Tables each feature a functioning crank mechanism that raises or lowers tabletops to your preferred height.
- ▶ Base height adjusts from 30"-42" h.
- ▶ Shown with recycled metal tabletops made in Mexico from 100% recycled copper.
- ▶ Select a surface the best suits your space—Edison table bases are compatible with many of our handcrafted dining tabletops. See a design consultant for available special order options.
- ▶ This collection is artisan-crafted from recycled materials with hand-applied finishes. Individual pieces may vary in color, pattern, shape, and texture, making each truly unique.
- ▶ Keep your furniture looking its best. Visit arhaus.com or speak to any Arhaus Design Consultant for care recommendations.



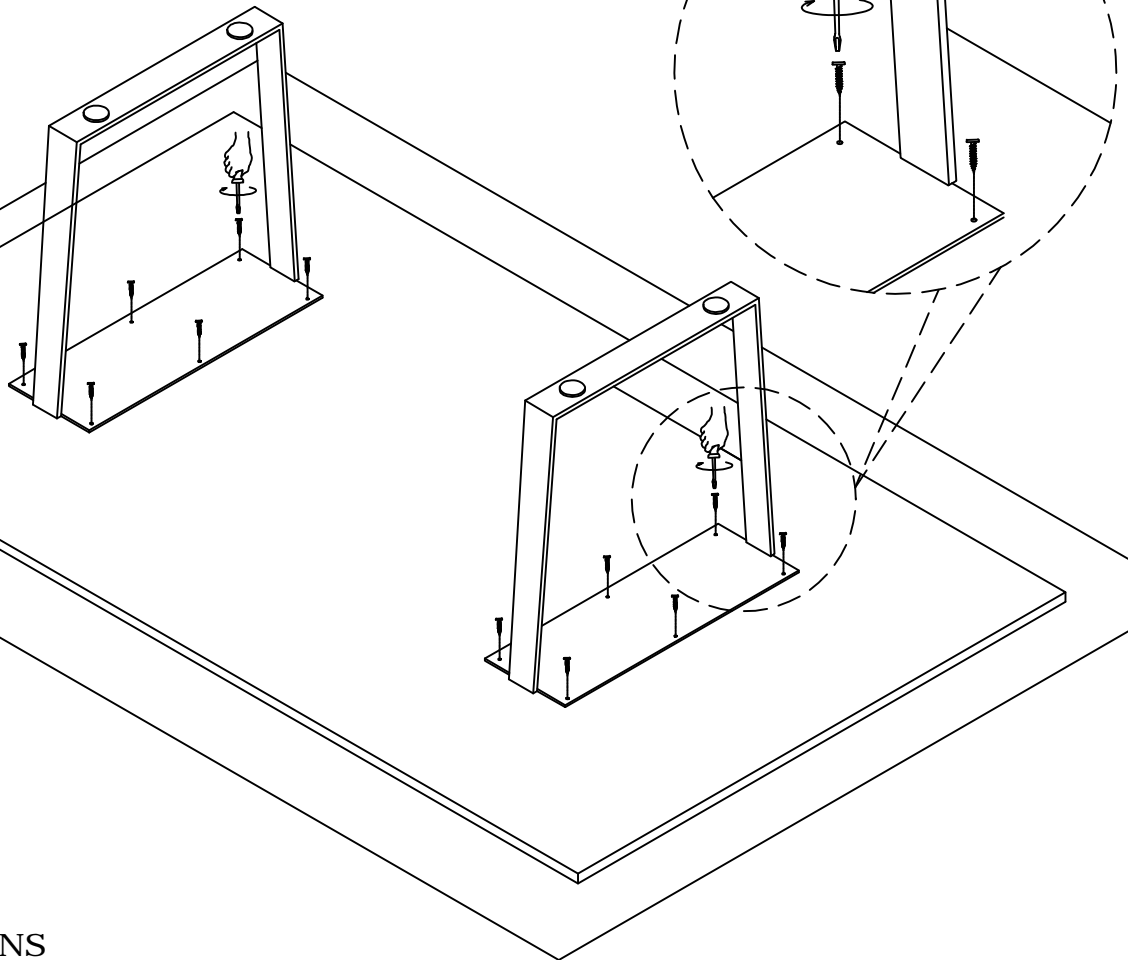
HARDYN DINING BASE ASSEMBLY INSTRUCTIONS

NO.	ITEM	DESCRIPTION	QTY
A		Hardyn Dining Base	2

NO.	ITEM	DESCRIPTION	QTY
X		Wooden Screw	12
<p>NOTE:-</p> <p>Screw Driver not included Please place the dining base on a soft mat for assembling</p>			

ASSEMBLY INSTRUCTIONS

1. Remove the packaging carefully and take out the Hardyn Base along with the hardware kit
2. Attach the base to the top as shown in the drawing below.
3. Tighten the wooden screw (X) as shown in the drawing below.
4. Product is now ready to use.



CARE INSTRUCTIONS

1. Clean with soft cloth.
2. Do not use abrasive cleaners, chemical cleaners, or metal polishes.

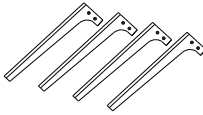


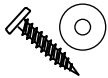
IMPORTANT SAFETY INSTRUCTIONS

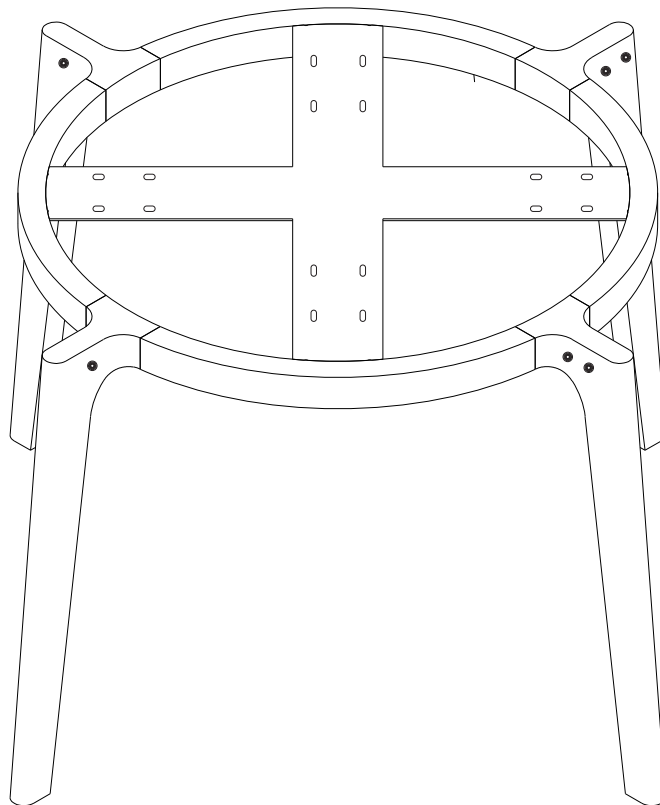
1. Do not allow children to play on or around the furniture.

ARHAUS[®]

your home

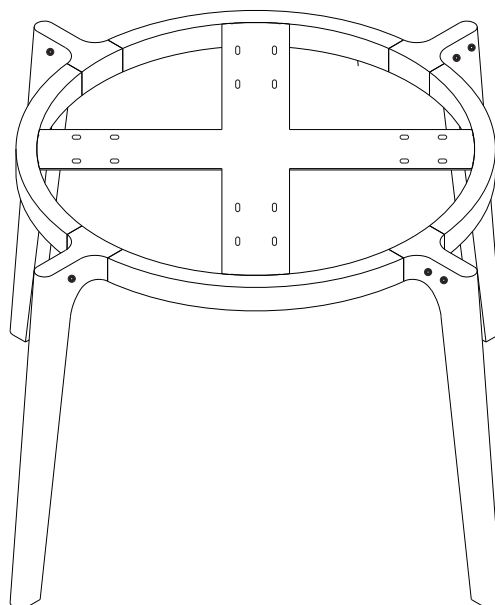
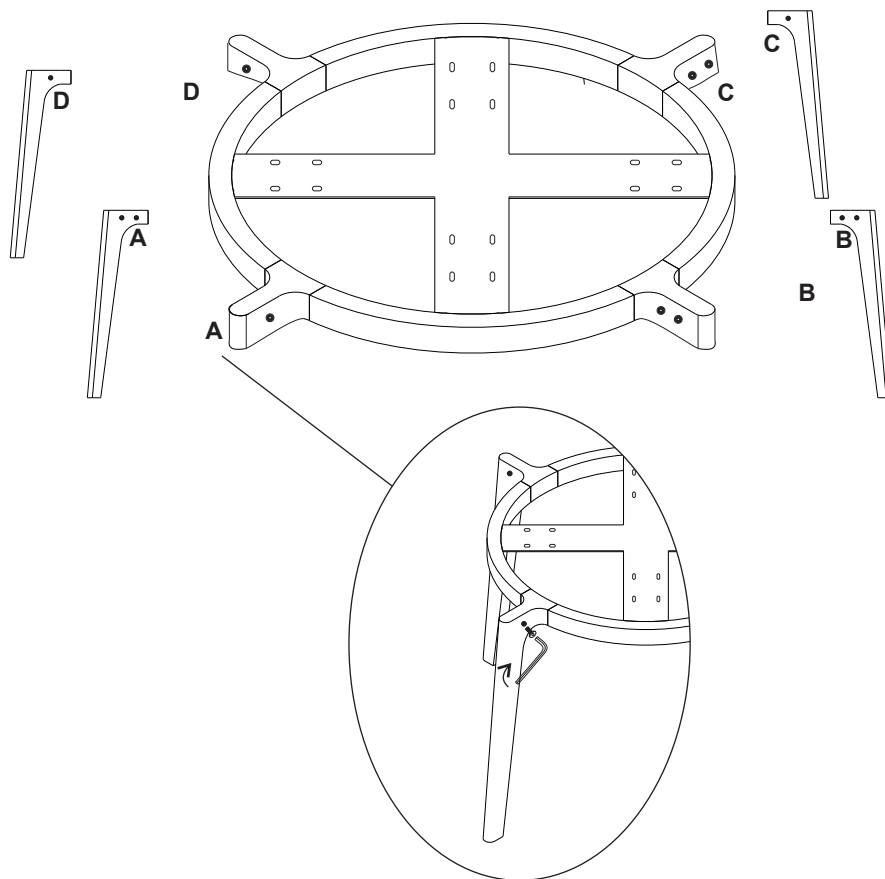
DESCRIPTION

NO.	ITEM	DESCRIPTION	QTY
A		Frame	1
B		Legs	4
C		Allen Screw CSK Head M8 x 20MM	12
D		Allen Key	1
E		Wooden Screw & Washer M4 x 32MM	16 Set



Step 1 : Match 4 Legs with the 4 corners of metal frame as per alphabetic markings.

Step 2 : Tighten 3 allen bolts on each leg through frame corner with the help of allen key. Allen key & bolts are included in hardware kit.



CARE INSTRUCTIONS

1. Clean with soft cloth.
2. Do not use abrasive cleaners, chemical cleaners, or metal polishes.

IMPORTANT SAFETY INSTRUCTIONS

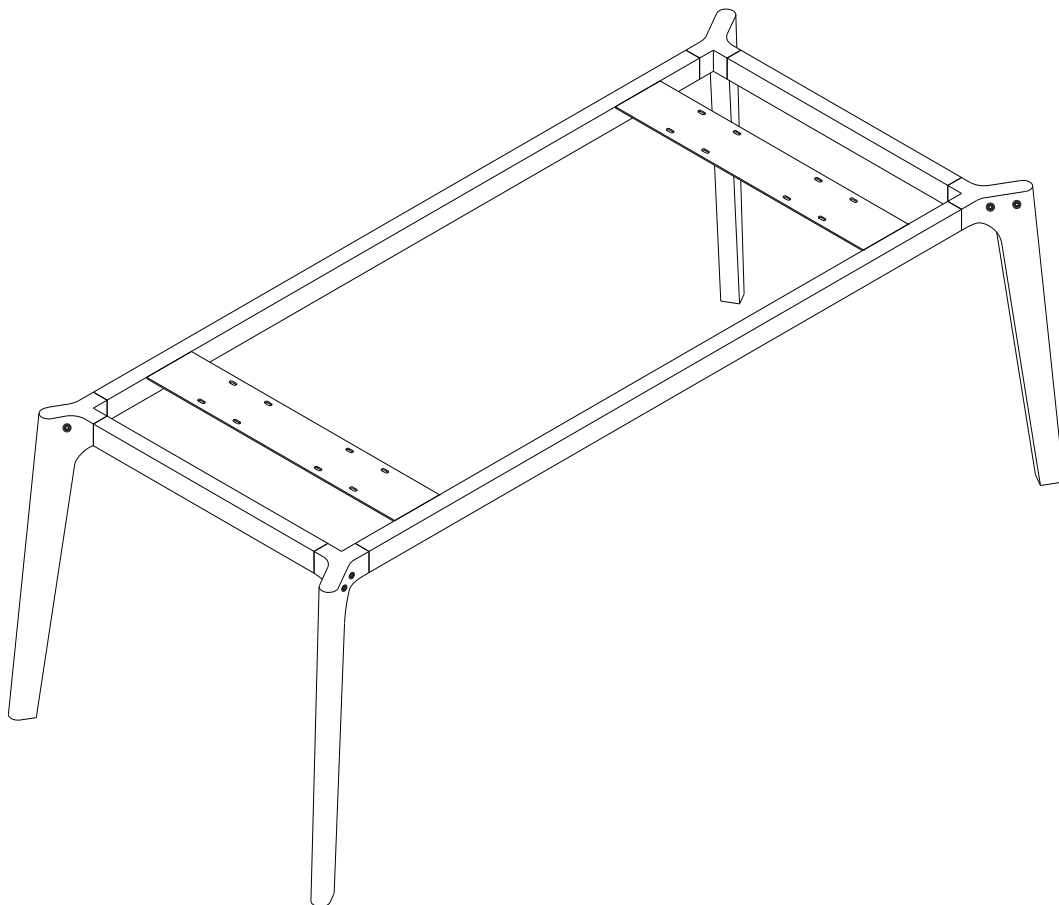
1. Do not allow children to play on or around the furniture.

ARHAUS[®]

your home

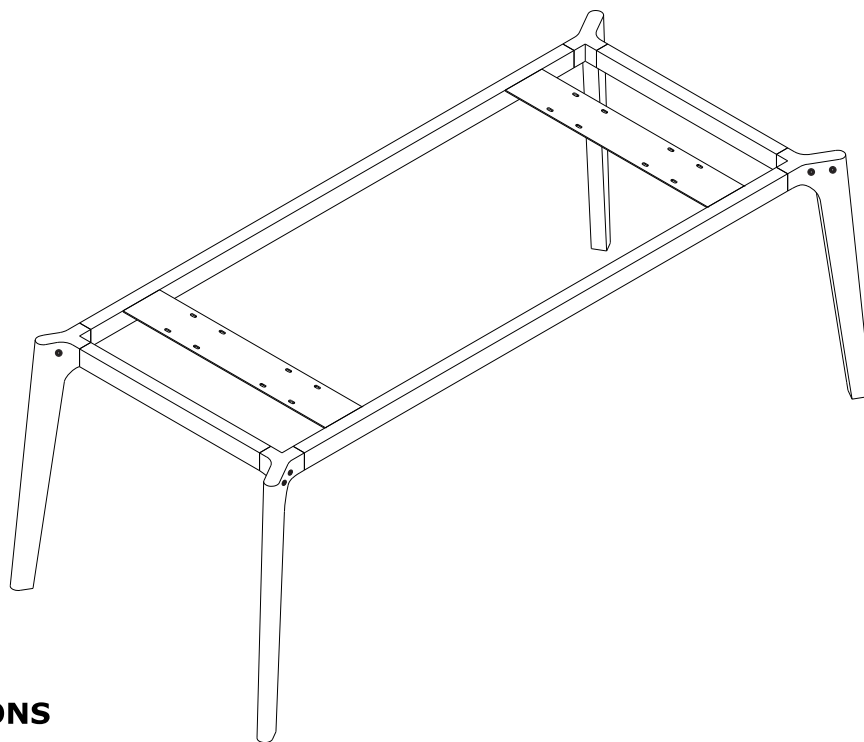
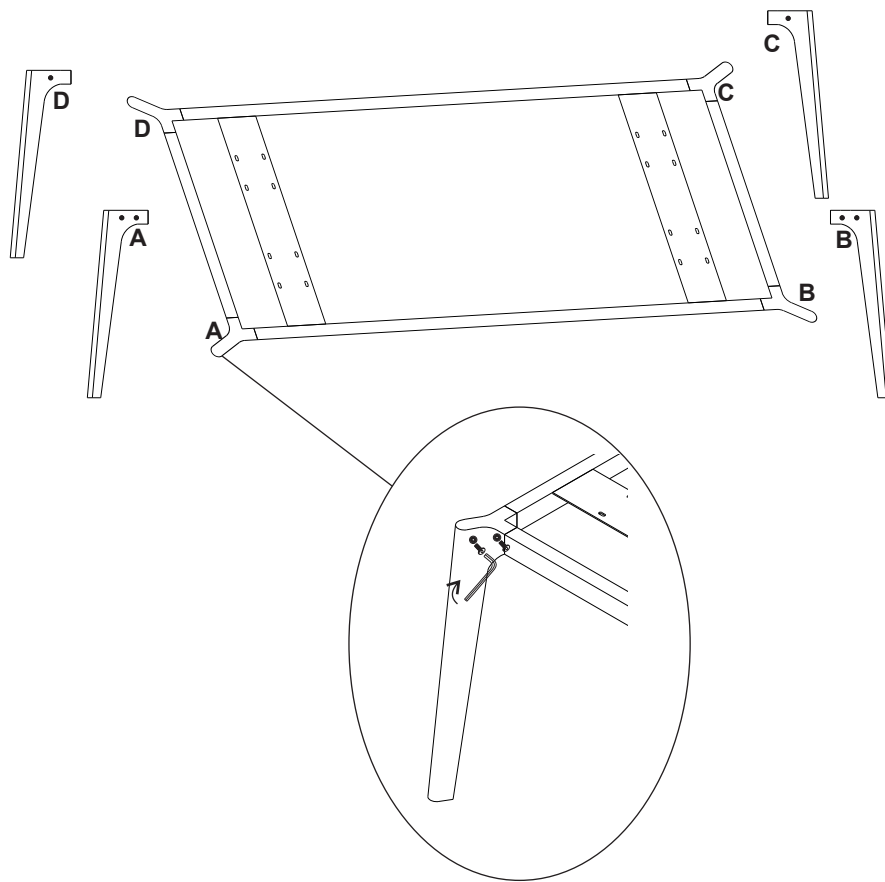
DESCRIPTION

NO.	ITEM	DESCRIPTION	QTY
A		Frame	1
B		Legs	4
C		Allen Screw CSK Head M8 x 20MM	12
D		Allen Key	1
E		Wooden Screw & Washer M4 x 32MM	16 Set



Step 1 : Match 4 Legs with the 4 corners of metal frame as per alphabetic markings.

Step 2 : Tighten 3 allen bolts on each leg through frame corner with the help of allen key. Allen key & bolts are included in hardware kit.



CARE INSTRUCTIONS

1. Clean with soft cloth.
2. Do not use abrasive cleaners, chemical cleaners, or metal polishes.

IMPORTANT SAFETY INSTRUCTIONS

1. Do not allow children to play on or around the furniture.

ARHAUS®

your home

kenya



Table Base

Counter	30" diameter x 36" h	30COUNTB35
Bar	30" diameter x 40.25" h	30BARBS2
Dining	36" diameter x 29" h	30KENYABS2

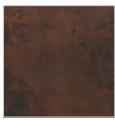
38" Round Tabletop

38" diameter x 1.25" h	
Copper	30COP38TP
Chocolate Copper	NEED SKU
Zinc Alloy	NEED SKU

Finishes



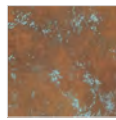
Copper



Chocolate
Copper



Zinc Alloy



Copper
Verdigris*

your style your way

Craft a custom design that tells your style story. This collection is available in special-order **Sizes, Shapes, Finishes, and Configurations.**

Ask in store or call **866.427.4287**

Invoking the untamed spirit of the african serengeti

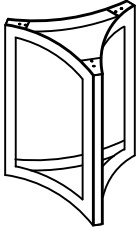
our Kenya tables are painstakingly handcrafted to convey a rustic originality that arouses the primitive soul in all of us. Solid iron table bases are meticulously shaped and molded by skilled Mexican artisans into a precious piece of functional art. Complemented by our stunning, recycled metal tabletops, Kenya's eclectic character creates a dramatic focal point among any dining space.


product details

- ▶ Handmade in Mexico, Kenya table bases are artisan-crafted from solid iron, forming a graceful yet durable foundation for paired tabletops.
- ▶ Curvaceous table bases are decorated with artisan-inspired detailing complemented by a classic, black, powder-coated finish.
- ▶ Shown with recycled metal tabletops made in Mexico from 100% recycled copper or zinc alloy.
- ▶ Select a surface the best suits your space—Kenya table bases are compatible with many of our handcrafted dining tabletops. See a design consultant for available special order options.
- ▶ This collection is artisan-crafted from recycled materials with hand-applied finishes. Individual pieces may vary in color, pattern, shape, and texture, making each truly unique.
- ▶ Keep your furniture looking its best. Visit arhaus.com or speak to any Arhaus Design Consultant for care recommendations.



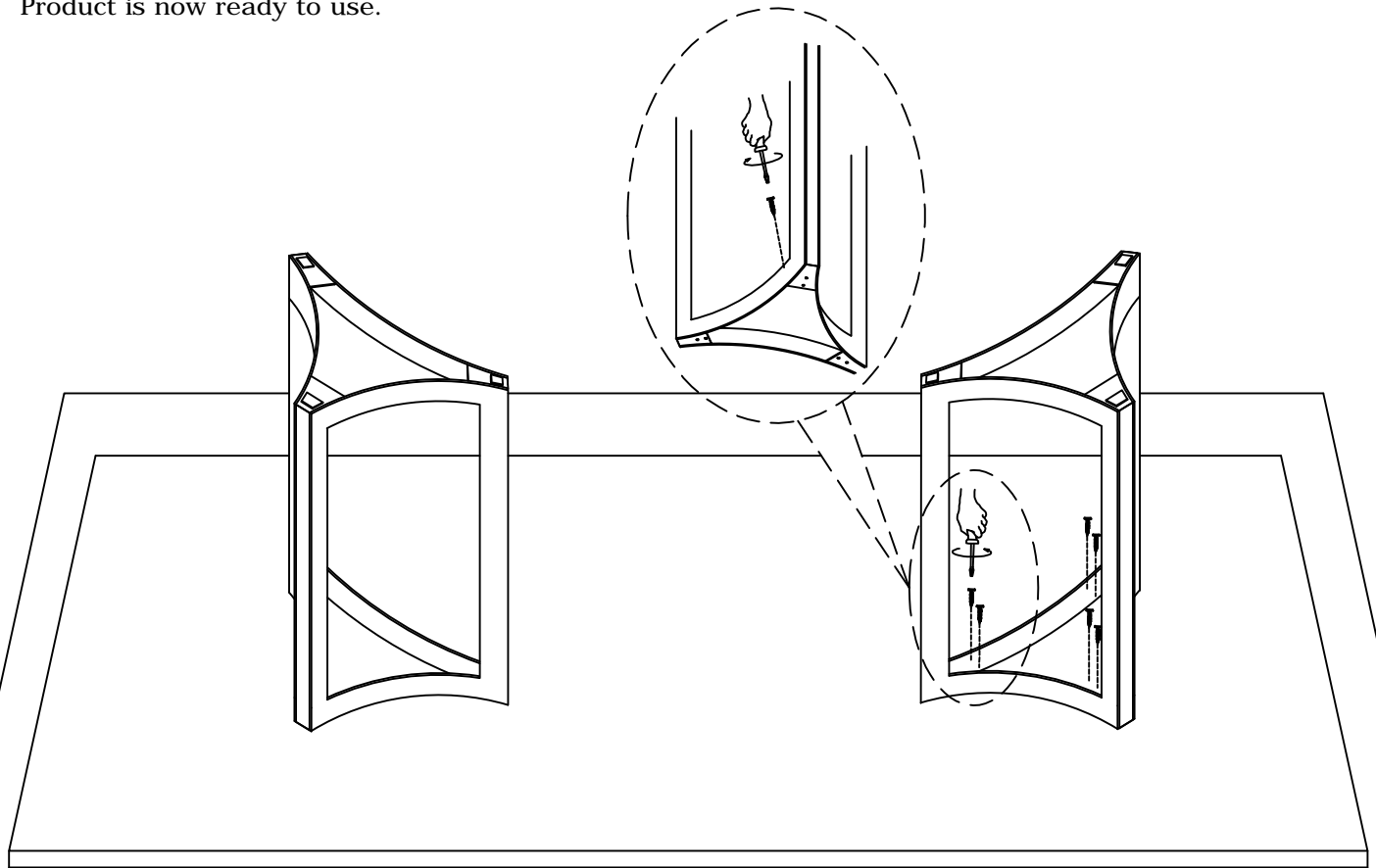
LYON DINING BASE ASSEMBLY INSTRUCTIONS

NO.	ITEM	DESCRIPTION	QTY
A		Lyon Dining Base	2

NO.	ITEM	DESCRIPTION	QTY
X		Wooden Screw	12
<p>NOTE:-</p> <p>Screw Driver not included</p> <p><u>Please place the dining base on a soft mat for assembling</u></p>			

ASSEMBLY INSTRUCTIONS

1. Remove the packaging carefully and take out the Lyon Base along with the hardware kit
2. Attach the base to the top as shown in the drawing below.
3. Tighten the wooden screw (X) as shown in the drawing below.
4. Product is now ready to use.



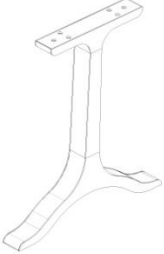
CARE INSTRUCTIONS

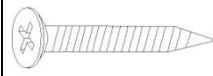
1. Clean with soft cloth.
2. Do not use abrasive cleaners, chemical cleaners, or metal polishes.

IMPORTANT SAFETY INSTRUCTIONS

1. Do not allow children to play on or around the furniture.

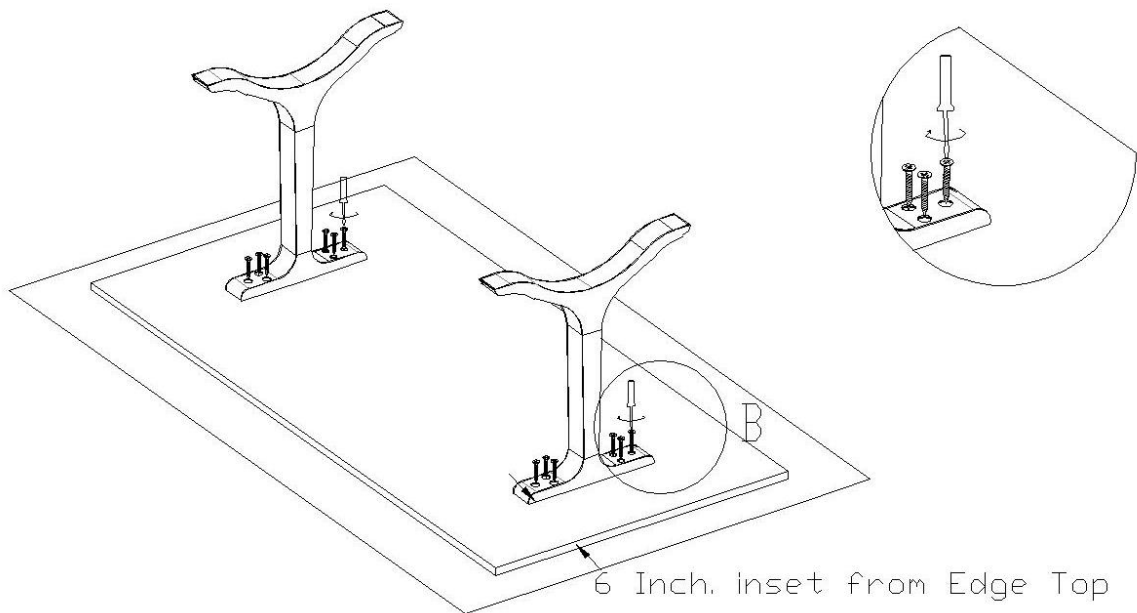
RHETT DINING BENCH ASSEMBLY INSTRUCTIONS

No.	ITEM	DESCRIPTION	QTY
A		RHETT DINING BENCH	2

No.	ITEM	DESCRIPTION	QTY
X		Counter Head Screw	12
NOTE:- Screw Driver not included <u>Please place the dining bench on a soft mat for assembling</u>			

ASSEMBLY INSTRUCTIONS

1. Remove the packaging carefully and take out the Rhett Bench along with the hardware kit
2. Attach the base to the top as shown in the drawing below.
3. Please place the bases at 6" distance from sides.
4. Tighten the Wooden Screws (X) as shown in the drawing below.
5. Product is now ready to use.



CARE INSTRUCTIONS

1. Clean with soft cloth.
2. Do not use abrasive cleaners, chemical cleaners, or metal polishes.




IMPORTANT SAFETY INSTRUCTIONS

1. Do not allow children to play on or around the furniture.

ARHAUS®

your home

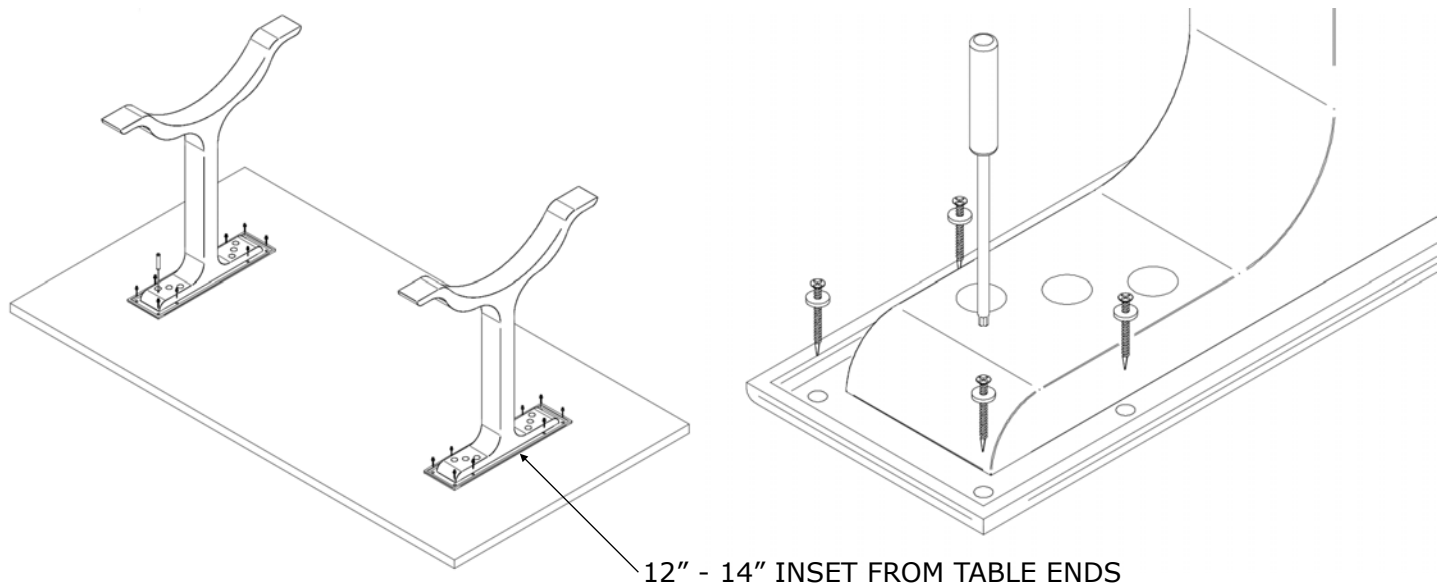
RHETT DINING TABLE ASSEMBLY INSTRUCTIONS

No.	ITEM	DESCRIPTION	QTY	No.	ITEM	DESCRIPTION	QTY
A		RHETT DINING TABLE BASE	2	X		COUNTER HEAD WOOD SCREW	16
				Y		WASHERS	16

Note: Screwdriver is not included

ASSEMBLY INSTRUCTIONS

1. Remove the packaging carefully and take out the Rhett Table Bases along with the hardware kit
2. Place the table top with the top surface down on a soft mat for assembly
3. Attach the bases to the top as shown in the drawing below
4. Please place the bases at 12" - 14" distance from table ends
5. Tighten the Wood Screws (X) and Washers (Y) as shown in the drawing below
6. Product is now ready to use



CARE INSTRUCTIONS

1. Clean with soft cloth
2. Do not use abrasive cleaners, chemical cleaners, or metal polishes

IMPORTANT SAFETY INSTRUCTIONS

1. Do not allow children to play on or around the furniture

DINING PARTS SKUS

Super Category	Product ID	Description	Collection	Route
DINING	30EDCRANK	EDISON TABLE BASE CRANK	PT-EDISON	PART
DINING	91LGEDISHDW	LARGE EDISON BISTRO HDW HANDLE/ALEN KEY WITH SCREW	PT-EDISON	
DINING	91SMEDISHDW	SMALL EDISON BISTRO HDW HANDLE/ALEN KEY WITH SCREW	PT-EDISON	

Parts Inventory

Super Category	Product ID	Description	Collection	Route	Regular Price	Qty On Hand	Net Avail
DINING	91ARVADABSHW	ARVADA DINING BASE HARDWARE UNIV ALL SIZES	PT-ARVADA		\$0.00	0	0
DINING	911081CAFE	CAFE CHAIR LEVELER QTY 1 LEVELER	PT-CAFÉ	PART	\$5.00	87	87
DINING	30EDCRANK	EDISON TABLE BASE CRANK DISC SKU	PT-EDISON	PART	\$11.00	6	6
DINING	91LGEDISHDW	LARGE EDISON BISTRO HDW HANDLE/ALEN KEY WITH SCREW	PT-EDISON		\$30.00	0	0
DINING	91SMEDISHDW	SMALL EDISON BISTRO HDW HANDLE/ALEN KEY WITH SCREW	PT-EDISON		\$30.00	0	0
DINING	91KENYABSHDW	KENYA BASE HARDWARE UNIV FOR ALL SIZES	PT-KENYA		\$0.00	0	0
DINING	91LYONHDWR	LYON HARDWARE ALL FINISHES HARDWARE BOX	PT-LYON		\$15.00	0	0
DINING	91RHETTBS	RHETT TABLE BS ASSEMBLY HARDW BASE HARDWARE WOOD SCREWS	PT-RHETT	PART	\$5.00	31	31
DINING	91511TREHW	TRIESTE BASE ASSEMBLY HDW Trieste Base assembly hardware	PT-TRIESTE	PART	\$12.00	17	17
DINING	91WADEDINHW	WADE DINING BASE HARDWARE CONNECTION POINT HARDWARE	PT-WADE	PART	\$11.00	5	5
DINING	91WELLSBL	WELLS BASE HARDWARE BLACK DISC - NEW SKU 91WELLSBLHW	PT-WELLS	PART	\$7.00	18	18
DINING	91WELLSBRS	WELLS BASE HARDWARE BRASS DISC - NEW SKU 91WELLSBRHW	PT-WELLS	PART	\$7.00	8	8
DINING	91WELLSP	WELLS BASE HARDWARE PEWTER DISC - NEW SKU 91WELLSPWHW	PT-WELLS	PART	\$7.00	19	19
DINING	91WELLSSS	WELLS BASE HARDWARE STN STEEL DISC COLOR	PT-WELLS	PART	\$7.00	18	18
DINING	91WELLSBLHW	WELLS BLACK HARDWARE HARDWARE BOX	PT-WELLS	PART	\$15.00	0	0
DINING	91WELLSBRHW	WELLS BRASS HARDWARE HARDWARE BOX	PT-WELLS	PART	\$15.00	0	0
DINING	91WELLSPWHW	WELLS PEWTER HARDWARE HARDWARE BOX	PT-WELLS	PART	\$15.00	0	0

ARHAUS®

your home

bell'arte



Sabine Side Chair
21" w x 19" d x 38.75" h
30SABIBELL



Sabine Upholstered-Back Side Chair
21" w x 25.25" d x 39" h
30SABUPHDS

Finish:



Nero

Fabric:



Mixology
Granite

Armchair

24" w x 26" d x 38.75" h

**available by special order*

product details

- ▶ Chair frames are craftsman-built by Italian artisans from solid beech wood.
- ▶ Chair backs are steam-bent to achieve the subtly curved shape.
- ▶ Curved, hand-carved arms and backrests artistically frame fully padded cushions.
- ▶ Chair frames are reinforced with mortise-and-tenon joinery and corner blocks to ensure strength and stability.
- ▶ Multilayered, hand-painted, and distressed finishes are applied by artisans.
- ▶ Wood surfaces are lacquered for added protection and subtle sheen.
- ▶ Carved detailing is embossed using a custom mold.
- ▶ Seat cushions are generously padded and sustained by a flexible network of durable rubber webbing designed for comfortable, evenly dispersed support.
- ▶ Seats are attached with four heavy-duty screws, allowing you to remove the seat for cleaning or reupholstering as desired.



Jordan Armchair
25" w x 26" d x 39" h
30JORDBELLDA



Jordan Side Chair
23" w x 26" d x 39" h
30JORDBELLDS

Finish:



Grigio

Fabric:



Elixor Charcoal

product details

- ▶ Chair frames are craftsman-built from solid beech wood and hand-selected beech-veneer panels, creating a durable base for each unique finish.
- ▶ Chair frames are doubly reinforced with mortise-and-tenon joinery and corner blocks to guarantee years of structural reliability.
- ▶ Subtly curved, steam-bent chair backs are accented with scrolling hand-sculpted accents.
- ▶ Finishes are hand-applied by Italian artisans, who combine layers of rich stain with hand-rubbed distressing to achieve a gently aged appearance.
- ▶ Finished surfaces are coated with lacquer for added protection and subtle sheen.
- ▶ Seats are fully padded and supported by a flexible network of durable rubber webbing for resilient, evenly dispersed comfort.
- ▶ Seats are attached by heavy-duty screws, which allow for easy removal for cleaning or reupholstering.

a true masterpiece

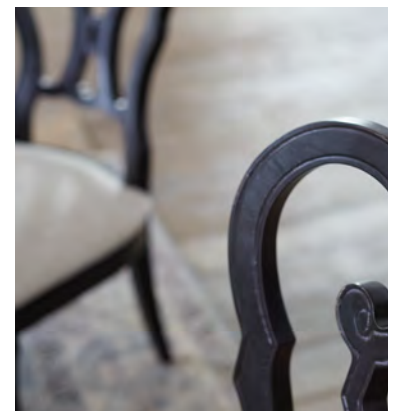
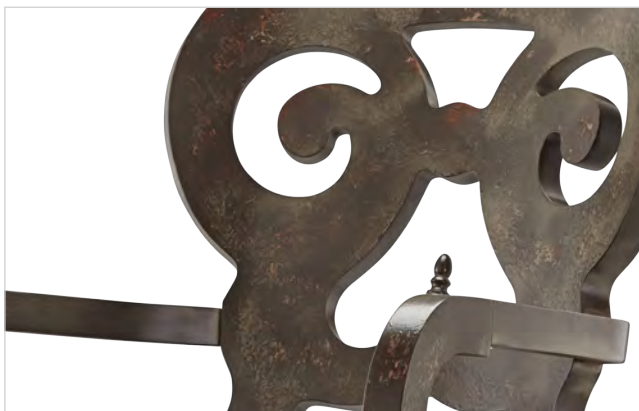
In a region of Italy renowned for its furniture-making, dedicated artisans use centuries-old techniques to construct our exquisite Bell'Arte Dining Collections. Every stunning piece is crafted by hand, one at a time like works of art. Solid wood frames are thoughtfully assembled and accentuated by hand-sculpted detailing. Meticulously layered finishes are painted to bring out the woodwork's unique features and distressed for a timeless appeal. Expertly fitted, custom-upholstered seats are available in a wide array of designer-inspired fabrics, curated to complement your décor and bring your vision to life.

your style your way

Craft a custom design that tells your style story.

This collection is available in special-order **Fabrics, Slipcovers, and Finishes.**

Ask in store or call **866.427.4287**



bell'arte | dining chair collection | made in Italy

Dimensions may vary slightly. Please ensure furnishings fit through interior structures and into desired space before purchase.

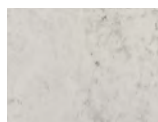
ARHAUS®

your home



Regina Dining Chair
21.75" w x 24.5" d x 40.25" h
30REGINADS

Finish:



Antico Bianco

product details

- ▶ Dining chair frames are craftsman-built by Italian artisans from solid beech wood.
- ▶ Each piece is sanded and hand-carved. Scrolling patterns are cut into the wood with a jigsaw before being sanded again and finished.
- ▶ Hand-painted in our Antico Bianco finish, consisting of multiple layers of white and light cream tones, which are then distressed to replicate a naturally weathered appearance.
- ▶ Chair frames are reinforced with mortise-and-tenon joinery to ensure strength and stability.
- ▶ Cushions are generously padded and sustained by a flexible network of durable rubber webbing designed for comfortable, evenly dispersed support.
- ▶ Seats are attached with four heavy-duty screws, allowing you to remove the seat for cleaning or reupholstering as desired.

ARHAUS®

your home

bell'arte



Amalia Table



Viola Buffet



Arturo
Hutch & Buffet



Giulietta
Hutch & Buffet



Giulietta
Round Table



Ostuni Credenza



Bianca Table



Florence Table



Cerea Table



Bergamo Credenza



Messina Buffet



Rosa Buffet



Pavia Table



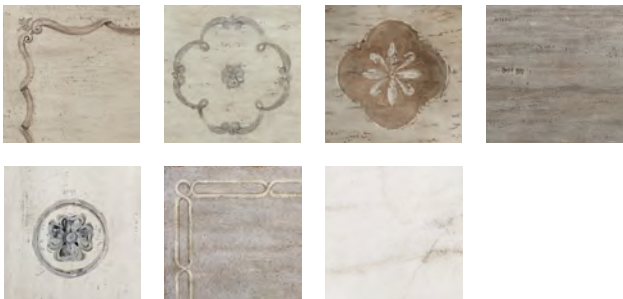
Girardi Table

a true masterpiece

In a region of Italy renowned for its furniture-making, dedicated artisans use centuries-old techniques to construct our exquisite Bell'Arte Dining Collections. Every stunning table, credenza, buffet, and hutch is crafted by hand, one at a time like works of art. Solid wood frames are thoughtfully assembled from poplar or tulip wood. Meticulously applied finishes are layered with stain, paint, and lacquer to bring out the woodwork's unique features, and classically styled detailing is sculpted to resemble the appearance timeless antiques.

Personalization options available. Visit your local store or call to order.

Finishes and detailing unique to each piece are artfully applied by hand.



ARHAUS®

your home

GIRARDI

Round Dining Table

42" diameter x 31" h	30GIRAR42KT	seats up to 3
48" diameter x 31" h	30GIRAR48KT	seats up to 4
54" diameter x 31" h	30GIRAR54KT	seats up to 6
60" diameter x 31" h	30GIRAR60KT	seats up to 8
71" diameter x 31" h	30GIRAR71KT	seats up to 10

Rectangular Dining Table

78" w x 44" d x 31" h; extends to 118" w	30GIRAR78KT	seats up to 10
86" w x 44" d x 31" h; extends to 126" w	30GIRAR86KT	seats up to 12
94" w x 44" d x 31" h; extends to 134" w	30GIRAR94KT	seats up to 14

PAVIA

Round Dining Table

42" diameter x 31" h	30PAVIA42KT	seats up to 3
48" diameter x 31" h	30PAVIA48KT	seats up to 4
54" diameter x 31" h	30PAVIA54KT	seats up to 6
60" diameter x 31" h	30PAVIA60KT	seats up to 8
71" diameter x 31" h	30PAVIA71KT	seats up to 10

Rectangular Dining Table

78" w x 44" d x 31" h; extends to 118" w	30PAVIA78KT	seats up to 10
86" w x 44" d x 31" h; extends to 126" w	30PAVIA86KT	seats up to 12
94" w x 44" d x 31" h; extends to 134" w	30PAVIA94KT	seats up to 14

CIRONI

Round Dining Table

42" diameter x 31" h	30CIRONI42KT	seats up to 3
48" diameter x 31" h	30CIRONI48KT	seats up to 4
54" diameter x 31" h	30CIRONI54KT	seats up to 6
60" diameter x 31" h	30CIRONI60KT	seats up to 8
71" diameter x 31" h	30CIRONI71KT	seats up to 10

Rectangular Dining Table

78" w x 44" d x 31" h	30CIRONI78KT	seats up to 10
86" w x 44" d x 31" h	30CIRONI86KT	seats up to 12
94" w x 44" d x 31" h	30CIRONI94KT	seats up to 14

AMALIA

Round Dining Table

42" diameter x 30" h	30AMALIA42	Seats up to 3.
48" diameter x 30" h	30AMALIA48	Seats up to 4.
54" diameter x 30" h	30AMALIA54	Seats up to 6.
60" diameter x 30" h	30AMALIA60	Seats up to 8.
71" diameter x 30" h	30AMALIA71	Seats up to 10.

Rectangular Dining Table

78" w x 44" d x 30" h	30AMALIA78KT	Seats up to 10.
86" w x 44" d x 30" h	30AMALIA86KT	Seats up to 12.
94" w x 44" d x 30" h	30AMALIA94KT	Seats up to 14.

VIOLA

Buffet

71" w x 21" d x 38" h	30VIOLABUF
-----------------------	------------

ARTURO

48" Hutch & Buffet

48" w x 20.5" d x 89.5" h	
Marmo	30ARTUHB48M
Bianco	30ARTUHB48B

61" Hutch & Buffet

61" w x 20.5" d x 89.5" h	
Marmo	30ARTUHB61M
Bianco	30ARTUHB61B

74" Hutch & Buffet

74" w x 20.5" d x 89.5" h	
Marmo	30ARTUHB74M
Bianco	30ARTUHB74B

92" Hutch & Buffet

92" w x 20.5" d x 89.5" h	
Marmo	30ARTUHB92M
Bianco	30ARTUHB92B

GIULIETTA

Rectangle Dining Table

78" w x 44" d x 30.5" h, extends to 118" w	30GIULI78KT
<i>Seats up to 10</i>	
86" w x 44" d x 30.5" h, extends to 126" w	30GIULI86KT
<i>Seats up to 12</i>	
94" w x 44" d x 30.5" h, extends to 134" w	30GIULI94KT
<i>Seats up to 14</i>	
<i>Includes two 20" wide extensions</i>	

Round Dining Table

42" diameter x 30" h	30GIULI42RKT	Seats up to 2
48" diameter x 30" h	30GIULI48RKT	Seats up to 4
54" diameter x 30" h	30GIULI54RKT	Seats up to 6
60" diameter x 30" h	30GIULI60RKT	Seats up to 8
71" diameter x 30" h	30GIULI71KT	Seats up to 10

Hutch & Buffet

61" w x 21.25" d x 91" h	30GIULIHB61
--------------------------	-------------

Hutch

61" w x 16.25" d x 52" h	PG4H61S
--------------------------	---------

Buffet

61.5" w x 21.25" d x 39" h	PG4U61S
----------------------------	---------

BIANCCA

Rectangle Dining Table

78" w x 44" d x 31" h, extends to 118" w	30BIANCA78KT
<i>Seats up to 10</i>	
86" w x 44" d x 31" h, extends to 126" w	30BIANCA86KT
<i>Seats up to 12</i>	
94" w x 44" d x 31" h, extends to 134" w	30BIANCA94KT
<i>Seats up to 14</i>	
<i>Includes two 20" extensions</i>	

Round Dining Table

42" diameter x 30" h	30BIANCA42KT	Seats up to 2
48" diameter x 30" h	30BIANCA48KT	Seats up to 4
54" diameter x 30" h	30BIANCA54KT	Seats up to 6
60" diameter x 30" h	30BIANCA60KT	Seats up to 8
71" diameter x 30" h	30BIANCA71KT	Seats up to 10

*All Bell'Arte dining pieces are made to order.

ARHAUS®

your home

FLORENCE

Rectangular Dining Table

78" w x 44" d x 31.5" h, extends to 118" w	30FLOR78KT	seats up to 10
86" w x 44" d x 31.5" h, extends to 126" w	30FLOR86KT	seats up to 12
94" w x 44" d x 31.5" h, extends to 134" w	30FLOR94KT	seats up to 14

Round Dining Table

42" diameter x 31" h	30FLOR42KT	Seats up to 2
48" diameter x 31" h	30FLOR48KT	Seats up to 4
54" diameter x 31" h	30FLORC54KT	Seats up to 6
60" diameter x 31" h	30FLOR60KT	Seats up to 8
71" diameter x 31" h	30FLOR71KT	Seats up to 10

CEREA

Rectangular Dining Table

78" w x 44" d x 31.5" h, extends to 118" w	30CEREA78KT	Seats up to 10
86" w x 44" d x 31.5" h, extends to 126" w	30CEREA86KT	Seats up to 12
95" w x 44" d x 31.5" h, extends to 134" w	30CEREA94KT	Seats up to 14

Includes two 20" extensions

Round Dining Table

42" diameter x 31" h	30CEREA42KT	seats up to 3
48" diameter x 31" h	30CEREA48KT	seats up to 4
54" diameter x 31" h	30CEREA54KT	seats up to 6
60" diameter x 31" h	30CEREA60KT	seats up to 8
71" diameter x 31" h	30CEREA71KT	seats up to 10

BERGAMO

Credenza

98.75" w x 26" d x 44.5" h	PBMUBFS
----------------------------	---------

Features adjustable shelves

Buffet

69" w x 20.5" d x 44" h	PBMU2DS
-------------------------	---------

MESSINA

Buffet

69" w x 20.5" d x 44" h	PMFUBFS
-------------------------	---------

Features adjustable shelves

ROSA BUFFET

Buffet

69" w x 20.5" d x 44" h	P2RUBFS
-------------------------	---------

Features secret compartments

**All Bell'Arte dining pieces are made to order.*

ARHAUS®

your home

personalization form

* If you wish, the artisans can specially customize your Bell'Arte piece by hand-painting your name (up to three words) on the underside for no additional cost.

personalized description

*The personalization can include up to 3 words. No symbols or characters. This should be hand written in all caps.

Print Name:

Signature of Applicant:

Date:

ARHAUS®

your home

bergamo



Credenza
98.6" w x 26" d x 44.5" h
PBMUBFS



Buffet
69" w x 20.5" d x 44" h
PBMU2DS

*All Bell'Arte dining pieces are made to order.

a true masterpiece

Centuries-old woodworking techniques are used to craft every exquisite detail of our exclusive Bell'Arte collection. Handcrafted to order in a region of Italy renowned for its furniture-making, our dedicated artisans treat each unique piece like a work of art. Cabinetry is built from solid tulip wood and masterfully finished by hand, combining layers of stain, paint, and lacquer—a process which takes over three days to complete per piece. Our Bergamo Credenza and Buffet are inspired by authentic Italian antiques.

product details.

- ▶ As with the rest of our Arhaus-exclusive Bell'Arte Collection, these pieces are handcrafted in a region of Italy renowned for its furniture-making.
- ▶ Craftsman-built from tulip wood—a wood prized in the making of fine furniture.
- ▶ Antique Sasso finishes are hand-painted. Layered ivory and grey tones are slightly aged and lacquered, resulting in a timeworn appearance with elegant detailing.
- ▶ Italian artisans meticulously carve all details by hand, making each piece truly one-of-a-kind.
- ▶ After the finishing process, which takes three days to complete, the artisans sign "Hand-painted in Italy" in Italian and date their work.
- ▶ Credenzas feature four doors with two adjustable shelves in each compartment.
- ▶ Credenzas feature antique brass keyholes and keys, which unlock secret interior panels.
- ▶ **If you wish, the artisans can specially customize your Bell'Arte piece by hand-painting your name (up to three words) on the underside for no additional cost.** Visit your local store or call to order.



ARHAUS®

your home

personalization form

* If you wish, the artisans can specially customize your Bell'Arte piece by hand-painting your name (up to three words) on the underside for no additional cost.

personalized description

*The personalization can include up to 3 words. No symbols or characters. This should be hand written in all caps.

Print Name:

Signature of Applicant:

Date:

ARHAUS®

FURNISHING A BETTER WORLD®

INSTRUCTIONS FOR THE SECRET ART. R4775 PBMUBFS BERGAMO BUFFET



1.



2



3



4



5



6



7

Parts Inventory

Super Category	Product ID	Description	Collection	Route	Regular Price	Qty On Hand	Net Avail
DINING	911679BERESC	Bergamo credenza escutcheon	PT-BERGAMO	PART	\$3.00	27	27
DINING	911679BERKEY	BERGAMO CREDENZA KEY	PT-BERGAMO	PART	\$4.00	36	36
DINING	91BERSLAT	BERGAMO/OSTUNI SHELF SUPPORTS BERGAMO AND OSTUNI SHLF SPRTS	PT-BERGAMO	PART	\$5.00	1	1

ARHAUS®

your home

biancca



Round Dining Table

42" diameter x 30" h	30BIANCA42KT	Seats up to 2.
48" diameter x 30" h	30BIANCA48KT	Seats up to 4.
54" diameter x 30" h	30BIANCA54KT	Seats up to 6.
60" diameter x 30" h	30BIANCA60KT	Seats up to 8.
71" diameter x 30" h	30BIANCA71KT	Seats up to 10.



Rectangle Dining Table

78" w x 44" d x 31" h, extends to 118" w	30BIANCA78KT	Seats up to 10.
86" w x 44" d x 31" h, extends to 126" w	30BIANCA86KT	Seats up to 12.
94" w x 44" d x 31" h, extends to 134" w	30BIANCA94KT	Seats up to 14.

*All Bell'Arte dining pieces are made to order.

a true masterpiece

Centuries-old woodworking techniques are used to craft every exquisite detail of our exclusive Bell'Arte collection. Handcrafted to order in a region of Italy renowned for its furniture-making, our dedicated artisans treat each unique piece like a work of art. Dining tables are built from solid poplar wood and masterfully finished by hand, combining layers of stain, paint, and lacquer—a process which takes over three days to complete per piece. Inspired by “La Città Bianca” (The White Town), the Italian city of Ostuni, our Bianca Dining Tables incorporate style elements, within the paint and detailing, that reflect traditional Italian architecture.

product details

- ▶ As with the rest of our Arhaus-exclusive Bell'Arte Collection, these pieces are handcrafted in a region of Italy renowned for its furniture-making.
- ▶ Craftsman-built from poplar wood—a wood prized in the making of fine furniture.
- ▶ Antique Antico Bianco white finishes are hand-painted with floral detailing. Layered cream and white tones are aged and lacquered to resemble architecture found in the Italian city of Ostuni.
- ▶ Italian artisans meticulously carve all details by hand, making each piece truly one-of-a-kind.
- ▶ After the finishing process, which takes three days to complete, the artisans sign “Hand-painted in Italy” in Italian and date their work.
- ▶ Rectangular Dining Tables include two 20" extensions to accommodate additional seating.
- ▶ **If you wish, the artisans can specially customize your Bell'Arte piece by hand-painting your name (up to three words) on the underside for no additional cost.** Visit your local store or call to order.



biancca | bell' arte dining collection | made in Italy

Dimensions may vary slightly. Please ensure furnishings fit through interior structures and into desired space before purchase.

ARHAUS®

your home

personalization form

* If you wish, the artisans can specially customize your Bell'Arte piece by hand-painting your name (up to three words) on the underside for no additional cost.

personalized description

*The personalization can include up to 3 words. No symbols or characters. This should be hand written in all caps.

Print Name:

Signature of Applicant:

Date:

ASSEMBLING INSTRUCTIONS FOR BIANCA TABLE

1. Open the table top box on the reverse side- keep the table top facing down inside original packing and lay it on the floor
2. Unpack the table base and put it next to the top: both top and base are marked with an "A". Set the base on the table top matching the two "A".
3. Place the base exactly in the perimeter of template you will find on the back of the table top.
4. In a plastic bag fixed to the pedestal you will find the assembling hardware: metal washers and screws



1.



2.

5. Insert screws in washers and tight them with a screwdriver.
6. Turn the table to normal position.
7. Should the table be unlevelled on the floor, adjust the 4 levellers under base by loosing or tightening them by hand as needed



3.



4.

ARHAUS[®]

FURNISHING A BETTER WORLD[®]

ASSEMBLING INSTRUCTIONS FOR BIANCA RECTANGULAR



1.



2.



3.



4.



- 1) Open the table box on the reverse side, keep the table top facing down inside original packing and lay it on the floor.
- 2) Unpack the table base and fix the stretcher to the two pedestal as show in above pictures
- 3) In a plastic bag fixed to the pedestal you will find the assembling hardware: metal washers and screw. Insert screws in washer and tight them with a screwdriver.
- 4) Turn the table to normal position.

ARHAUS®

your home

bistro



Barstool

16" w x 19" d x 43.75" h
Light Burnt Oak 30BISTROBAR



Counter Stool

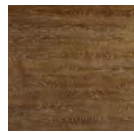
16" w x 19" d x 39.75" h
Light Burnt Oak 30BISTROCNT



Dining Chair

16" w x 19" d x 35" h
Earl Grey 30BISTROGYCHR
Light Burnt Oak 30BISTBRC2

Finishes:



Light Burnt Oak



Earl Grey

simple, clean and timeless

A reinvention of the classic bentwood chair with a more contemporary, industrial aesthetic, our Bistro Dining Chair Collection brings character and function to any kitchen gathering. Reminiscent of the classic French Bistro design, these charming seats feature bold iron frames shaped by the hands of artisans. Smooth, dark curves are complemented by solid wood seats hand-finished in rich tones. And, stools feature circular bars, which wrap around stool bases to let you rest your feet.

product details

- ▶ Stool frames are forged from iron with welded joints.
- ▶ Seats are crafted from solid oak, which is finished by hand to bring out its natural wood grain.
- ▶ Lacquer is added to both frames and seats for added protection and subtle sheen.



DINING PARTS SKUS

Super Category	Product ID	Description	Collection	Route
DINING	91BISTROTAP	BISTRO CHAIR TAP IN FOOT GLIDE	PT-BISTRO	PART

ARHAUS®

your home

BOTTONI

BRIA ITALIAN DINING COLLECTION

MADE IN ITALY

shown in
Grizzly Taupe



“EVERY BRUSHSTROKE, EVERY CARVING, EVERY DETAIL IS BEAUTIFUL”
-JOHN REED, ARHAUS COFOUNDER

Uniquely modern with a luxurious, upholstered design, our Bottoni Dining Chair Collection is handcrafted by master artisans in a region of Italy known for its furniture making. Our exclusive partners for more than 20 years, a family of artists and craftsmen build each chair by hand. Hand-sewn upholstery padded with dense foam is sustained by flexible support. Finishes are meticulously applied by hand with multiple layers of stain and distressing, using techniques passed down from one generation to the next, combining comfort and style that lets you gather a little longer.



NEED HELP?

Visit a store, call **866.427.4287**, or **live chat**
with our Design Team to learn more.

Dimensions may vary slightly. Please ensure furnishings fit through interior structures and into desired space before purchase.



PRODUCT DETAILS

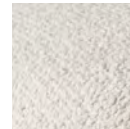
- + Dining Chair and Bench frames handcrafted by Italian artisans are built with birch plywood supporting the seat and solid poplar plywood supporting backrests.
- + Stool frames handcrafted by Italian artisans are built with solid beech and birch plywood supporting each upholstered seat.
- + Legs on each piece are crafted from solid beech wood and accented with brass tacks.
- + Hand-applied, layered finishes are artfully distressed and lacquered for an elegant, timeworn appearance.
- + Seats and backrests are generously padded with dense foam sustained by a flexible network of durable webbing designed for comfortable, evenly dispersed support.
- + Handcrafted furnishings made from natural materials with hand-applied finishes may vary in color, pattern, shape, and texture.
- + Our Performance Fabrics are extremely durable and resist stains and fading but remain beautiful and soft to the touch.
- + Keep your furniture looking its best. Visit arhaus.com or speak to any Arhaus Design Consultant for care recommendations.

CRAFT A CUSTOM LOOK

This collection is available in customizable **Fabrics** and **Finishes**.

Visit a store, call **866.427.4287**, or **live chat** with our Design Team to learn more.

PERFORMANCE FABRIC:



Grizzly Taupe

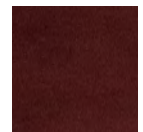
SPECIAL ORDER VELVET FABRICS:

IMAGE NOT AVAILABLE

Vance Olive

IMAGE NOT AVAILABLE

Vance Forest



Vance Paprika

IMAGE NOT AVAILABLE

Vance Cognac

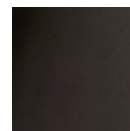
IMAGE NOT AVAILABLE

Vance Camel

IMAGE NOT AVAILABLE

Vance Dark Grey

FINISH:



Vesuvio Black

ARHAUS®

your home

BOTTONI

BRIA ITALIAN DINING COLLECTION

MADE IN ITALY



DINING CHAIR

21.25" w x 25.25" d x 36.75" h

Grizzly Taupe	30BOTTONICHR
Vance Olive	MBAFDSL*
Vance Forest	MBAFDSL*
Vance Paprika	MBAFDSL*
Vance Cognac	MBAFDSL*
Vance Camel	MBAFDSL*
Vance Dark Grey	MBAFDSL*

additional dimensions

Dining Chair seat 19" h



BACKLESS BARSTOOL

17.75" diameter x 30" h

Grizzly Taupe	30BOTGTBKLS
Vance Olive	MBAF9BL*
Vance Forest	MBAF9BL*
Vance Paprika	MBAF9BL*
Vance Cognac	MBAF9BL*
Vance Camel	MBAF9BL*
Vance Dark Grey	MBAF9BL*



BACKLESS COUNTER STOOL

17.75" diameter x 24.5" h

Grizzly Taupe	30BOTGTBKLS
Vance Olive	MBAF9CL*
Vance Forest	MBAF9CL*
Vance Paprika	MBAF9CL*
Vance Cognac	MBAF9CL*
Vance Camel	MBAF9CL*
Vance Dark Grey	MBAF9CL*

**Available by special order only.*

Dimensions may vary slightly. Please ensure furnishings fit through interior structures and into desired space before purchase.

ARHAUS®

your home

BOTTONI

BRIA ITALIAN DINING COLLECTION

MADE IN ITALY



BARSTOOL

21.25" w x 23.75" d x 42.25" h

Grizzly Taupe	30BOTGTBSBLK
Vance Olive	MBAFBHL*
Vance Forest	MBAFBHL*
Vance Paprika	MBAFBHL*
Vance Cognac	MBAFBHL*
Vance Camel	MBAFBHL*
Vance Dark Grey	MBAFBHL*



COUNTER STOOL

21.25" w x 23.75" d x 36.25" h

Grizzly Taupe	30BOTGTCSBLK
Vance Olive	MBAFBSL*
Vance Forest	MBAFBSL*
Vance Paprika	MBAFBSL*
Vance Cognac	MBAFBSL*
Vance Camel	MBAFBSL*
Vance Dark Grey	MBAFBSL*



63" DINING BENCH

63.75" w x 28" d x 37" h

Grizzly Taupe	30BOTGTBHBLK
Vance Olive	MBAFBEL*
Vance Forest	MBAFBEL*
Vance Paprika	MBAFBEL*
Vance Cognac	MBAFBEL*
Vance Camel	MBAFBEL*
Vance Dark Grey	MBAFBEL*

**Available by special order only.*

Dimensions may vary slightly. Please ensure furnishings fit through interior structures and into desired space before purchase.

DINING PARTS SKUS

CATEGORY	SKU	DESCRIPTION	STATUS	COLLECTION	ROUTE
DINING	91BOTBRSBTTN	BOTTONI SIDE CHR BRASS BUTTON BRASS BUTTON FOR LEG	A	PT-BOTTONI	

ARHAUS®

your home

bryant



Side Chair

20" w x 17" d x 37" h

Dark Iron

30BRYANTCHR

midcentury metal

Featuring a modern shape with classic, subtle detailing, our Bryant chairs are crafted from iron; designed to add midcentury flare to your dining space. The hand-bent frame surrounds a grooved backrest behind a comfortably contoured seat. Sleek, tapered legs flare at the base for added stability. Pair this piece with industrial dining tables for a contemporary appeal or complement more traditional pieces for an eclectic effect.

product details

- ▶ Artisan-crafted from hand-bent and contoured iron.
- ▶ Finishes are powder-coated for added protection.
- ▶ Seats feature small holes for added ventilation.
- ▶ Keep your furniture looking its best. Visit arhaus.com or speak to any Arhaus Design Consultant for care recommendations.



bryant | dining chair collection | made in India

Dimensions may vary slightly. Please ensure furnishings fit through interior structures and into desired space before purchase.



SIDE CHAIR WITH RATTAN SEAT

19.75" w x 21.75" d x 35.25" h; seat height 18.75"

Solid Black	30CADBLCHCN
Natural Weathered	30CADNWCHCN
Dark Brown	30CADBRCHCN
Stone Vintage	30CADSVCHCN

SIDE CHAIR WITH UPHOLSTERED SEAT

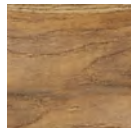
19.75" w x 21.75" d x 35.25" h; seat height 18.75"

Solid Black / Faux Black Leather	30CADBLCHF
Solid Black / Linen Natural	30CADBLCHLN
Natural Weathered / Faux Black Leather	30CADNWCHF
Natural Weathered / Linen Natural	30CADNWCHLN
Dark Brown / Faux Black Leather	30CADBRCHF
Dark Brown / Linen Natural	30CADBRCHLN
Stone Vintage / Faux Black Leather	30CADSVCHF
Stone Vintage / Linen Natural	30CADSVCHLN

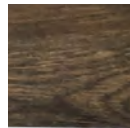
FINISHES:



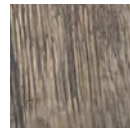
Solid Black



Natural Weathered



Dark Brown



Stone Vintage

FABRICS:



Faux Black Leather



Linen Natural

CLASSIC FRENCH DINING

Our Cadence Collection evokes the spirit of a classic French bistro. Rustic in nature with a sophistication all their own, these dining chairs, counter stools, and barstools were constructed with comfortable, woven rattan or upholstered cushions paired with stylish X backs. A variety of wood-tones and finishes are selected to complement any aesthetic.



PRODUCT DETAILS

- + Chairs and stools finished in Solid Black are craftsman-built from solid birch wood.
- + Chairs and stools finished in Natural Weathered, Dark Brown, or Stone Vintage are craftsman-built from solid oak wood.
- + Side chairs finished in Solid Black feature, matching wood stretchers and hand-painted finishes.
- + Side chairs finished in Natural Weathered, Dark Brown, and Stone Vintage feature matching wood stretchers and natural, hand-stained finishes.
- + Rattan seat pads are handwoven from natural sea grass for comfortable and charming texture.
- + Wooden surfaces are hand-finished with layers of paint or stain and lacquer—for added protection and subtle sheen.
- + This collection is artisan-crafted from natural materials with hand-applied finishes. Individual pieces may vary in color, pattern, shape, and texture, making each truly unique.
- + Natural wood may display small splits, knots, joint lines, or other organic features that will not affect the quality or performance of your piece.
- + Keep your furniture looking its best. Visit arhaus.com or speak to any Arhaus Design Consultant for care recommendations.



BARSTOOL WITH RATTAN SEAT

20" w x 21" d x 44" h; seat 29.5" h
 Dark Brown 30CADBRBSCN
 Natural Weathered 30CADNBWSCN
 Solid Black 30CADBLBSCN
 Stone Vintage 30CADSVBSCN

BARSTOOL WITH UPHOLSTERED SEAT

20" w x 21" d x 44" h; seat 29.5" h
 Solid Black / Faux Black Leather 30CADBLBSFB
 Solid Black / Linen Natural 30CADBLBSLN
 Natural Weathered / Faux Black Leather 30CADNBWSFB
 Natural Weathered / Linen Natural 30CADNBWSLN
 Dark Brown / Faux Black Leather 30CADBRBSFB
 Dark Brown / Linen Natural 30CADBRBSLN
 Stone Vintage / Faux Black Leather 30CADSVBSFB
 Stone Vintage / Linen Natural 30CADSVBSLN



COUNTER STOOL WITH RATTAN SEAT

20" w x 21" d x 38.5" h; seat: 24" h
 Dark Brown 30CADBRCSN
 Natural Weathered 30CADNBWTHCS
 Solid Black 30CADBLCSN
 Stone Vintage 30CADSVCSN

COUNTER STOOL WITH UPHOLSTERED SEAT

20" w x 21" d x 38.5" h; seat: 24" h
 Solid Black / Faux Black Leather 30CADBLCSFB
 Solid Black / Linen Natural 30CADBLCSLN
 Natural Weathered / Faux Black Leather 30CADNBWCSFB
 Natural Weathered / Linen Natural 30CADNBWCSLN
 Dark Brown / Faux Black Leather 30CADBRCSFB
 Dark Brown / Linen Natural 30CADBRCSLN
 Stone Vintage / Faux Black Leather 30CADSVCSFB
 Stone Vintage / Linen Natural 30CADSVCSLN

CADENCE SLIPCOVERS

100% linen slipcovers are hand-sewn and feature leather strap accents. Add to Cadence Side Chairs to create a softer, more casual feel for your dining space

PRODUCT DETAILS

- + Designed to fit Cadence Side Chairs. Sold separately.
- + Hand-sewn 100% linen slipcovers accented by leather straps add a softer, more casual feel.
- + Dry-clean only.



SLIPCOVER

16.5" w x 17.75" d
 Indigo Linen 30CADSLIPBLU

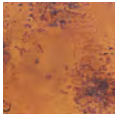
ARHAUS®

your home

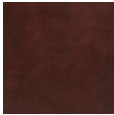
cahlo



Finishes:



Copper



Chocolate
Copper

Bar Cabinet

50" w x 20" d x 44" h

Copper 30KAHLOBARCP

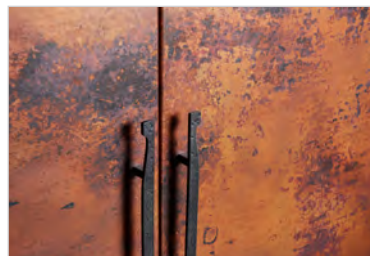
Chocolate Copper 30KAHLOBAR

contemporary style classically crafted

Our Cahlo bar cabinet complements chic, rustic surfaces with warm colors and hand-touched detailing. Each copper surface is carefully crafted by Mexican metal artisans from panels of recycled copper. Panels are hand-pounded onto solid hardwood cabinet doors and held over an open flame to produce unique coloring. Cabinet tops and frames are built from solid poplar wood supported by a forged iron base. When complete, artisans stamp each copper piece with a Monarch butterfly to signify its transformation and to honor the village responsible for its creation.

product details

- ▶ Recycled copper cabinet doors are built by Mexican metal artisans from panels of recycled metals hand-pounded onto solid hardwood.
- ▶ Copper cabinet doors are made from 100 percent recycled copper. Craftsman-built cabinet tops and frames are made from solid poplar wood supported by forged, solid iron bases.
- ▶ Subtle antiqued patinas are added to copper surfaces by holding each piece over an open flame to create unique color variations.
- ▶ Finished surfaces are coated with multiple layers of lacquer for added protection and subtle sheen.
- ▶ Upon completion, each piece is stamped with a Monarch butterfly to signify its transformation and to honor the artisans and the village responsible for its creation.
- ▶ Cabinet frames and tops feature a black finish coated in lacquer for added protection and subtle sheen.
- ▶ Iron bases feature a complementary distressed patina.
- ▶ Keep your furniture looking its best. Visit arhaus.com or speak to any Arhaus Design Consultant for care recommendations.



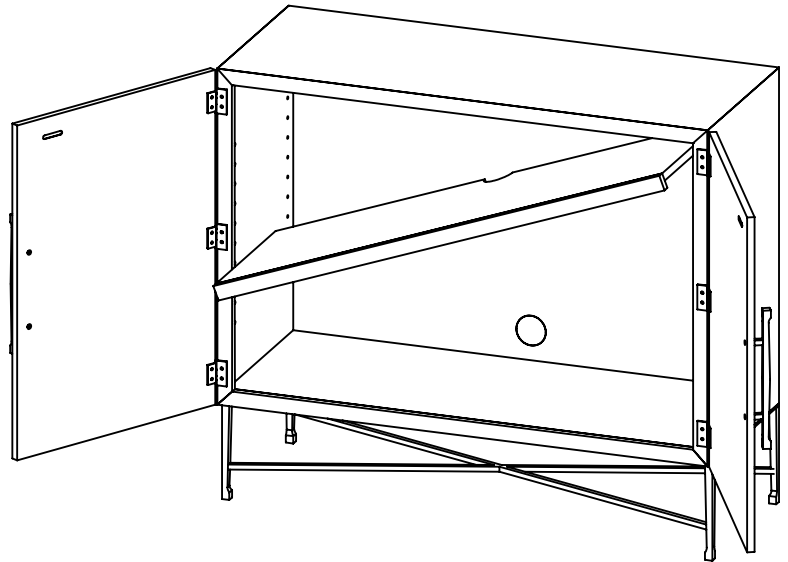
CAHLO CABINET

SHELVE INSTALATION INSTRUCTIONS

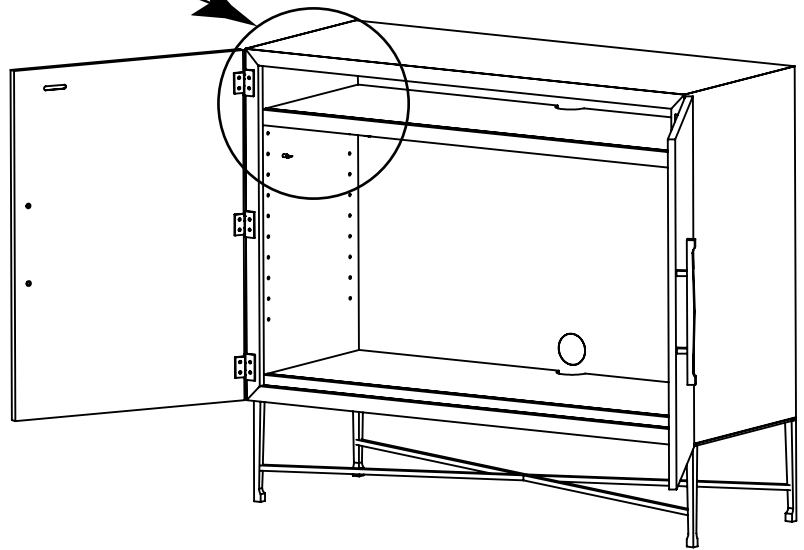
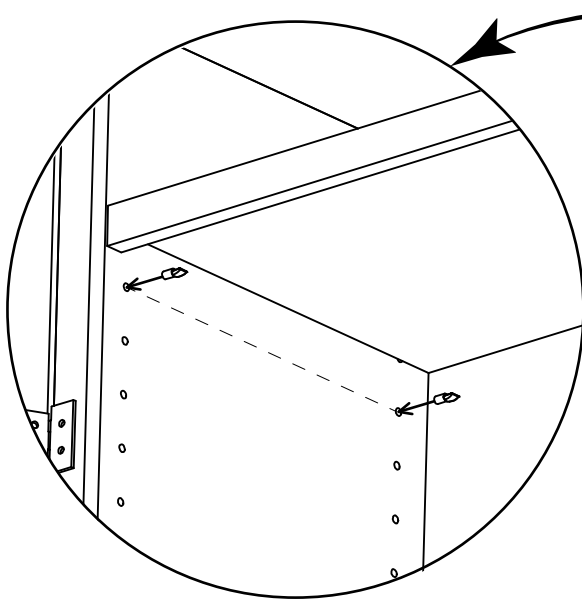
30CAHLCHOGBR - 30KAHLBARCP

1. Rotate the shelf enough to fit into the doorway of the cabinet, and place it on the bottom.

2. Repeat steps on the second shelf.



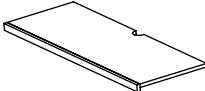
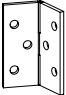




3. Once you have chosen the height, raise the shelf that is above, and insert the shelf support in the same height on the drill holes (the shelf have to be above of the shelf supports).



4. Repeat steps with second shelf.

HARDWARE PIECES

QTY	DESCRIPTION	IMAGEN	QTY	DESCRIPTION	IMAGEN
8	Support shelves		2	Door Handle (already installed)	
2	Shelves				
6	Hinges (already installed)		4	Door handle's screw (already installed)	
36	Hinge's screw (already installed)				

DINING PARTS SKUS

Super Category	Product ID	Description	Collection	Route
DINING	91CAHLODRHDL	CAHLO BAR DOOR HANDLE COPPER/CHOC FINISH	PT-CAHLO	
DINING	91CAHLODRHNG	CAHLO BAR DOOR HINGE COPPER/CHOC FINISH	PT-CAHLO	
DINING	91CAHLOHDW	CAHLO BAR HARDWARE COPPER/CHOC FINISH	PT-CAHLO	
DINING	91CAHLOSHLF	CAHLO BAR SHELF SLAT/PEG COPPER/CHOC FINISH	PT-CAHLO	

ARHAUS®

your home

carrinna



Dining Table

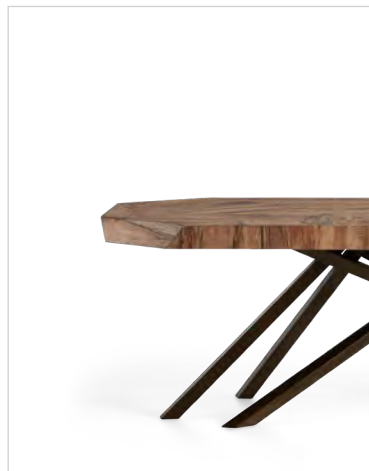
96" w x 44" d x 30" h 30CARINA96KT

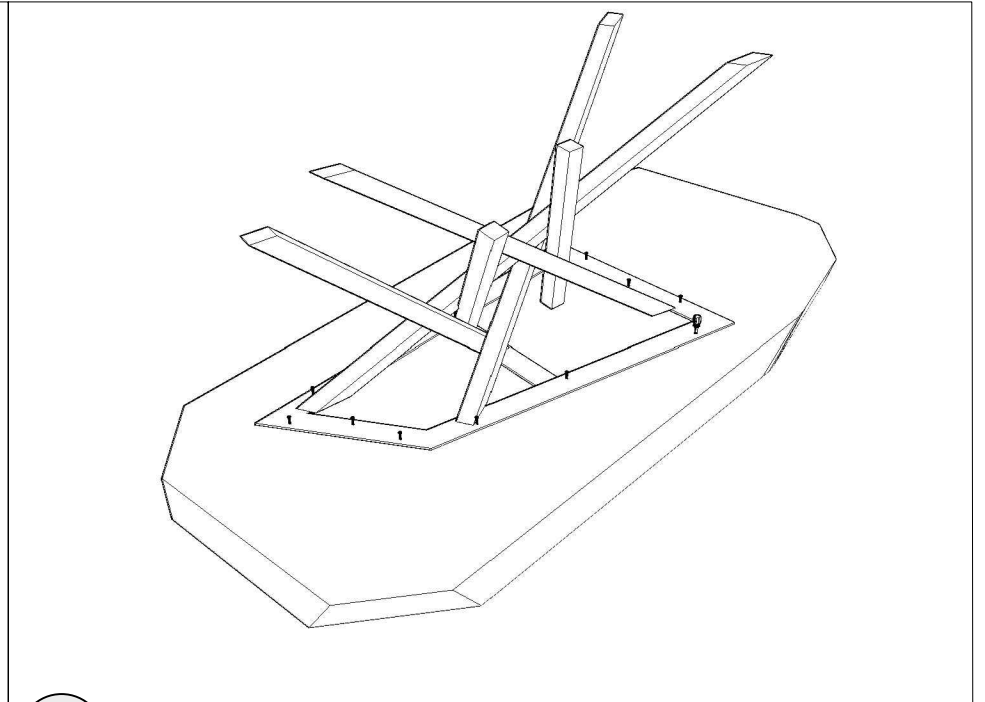
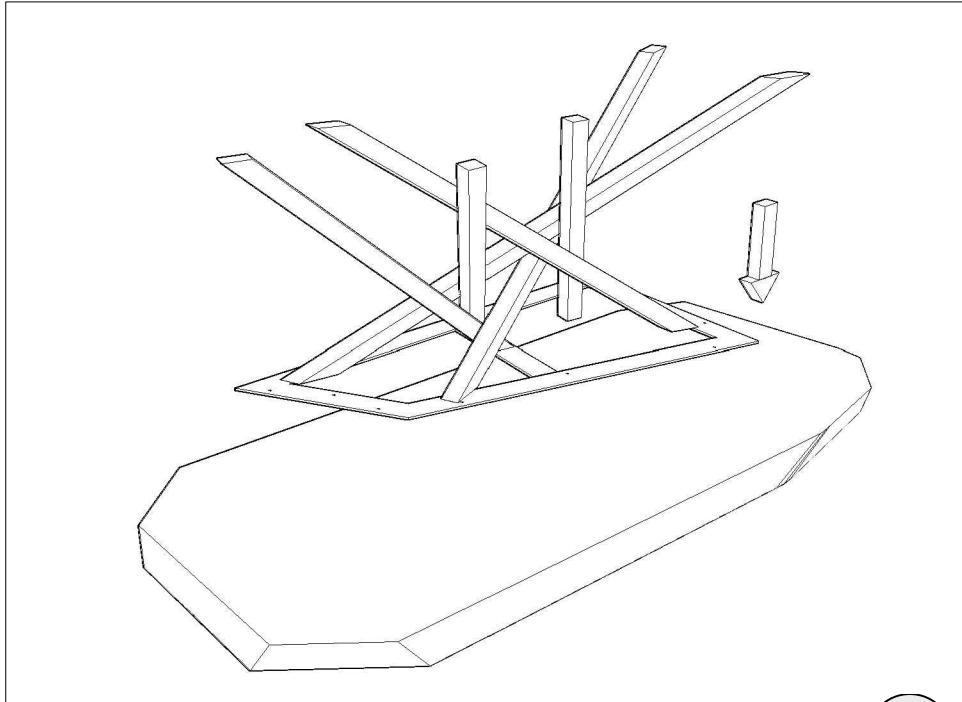
Organically Inspired

Expertly crafted from exotic, Mexican Palografico wood, our show-stopping Carrinna tables are made from tree trunks found buried or submerged in water for many years. Each veneer used to form these stunning surfaces features a gorgeous patina created by natural discoloration and weathering. Tabletops are carefully shaped by Mexican artisans, who give each piece its sophisticated, faceted design—showing-off both the character of the wood as well as its beautiful grain. Contemporary tripod table bases are made from steel with gorgeous satin gunmetal finishes to complement the tops' natural beauty.

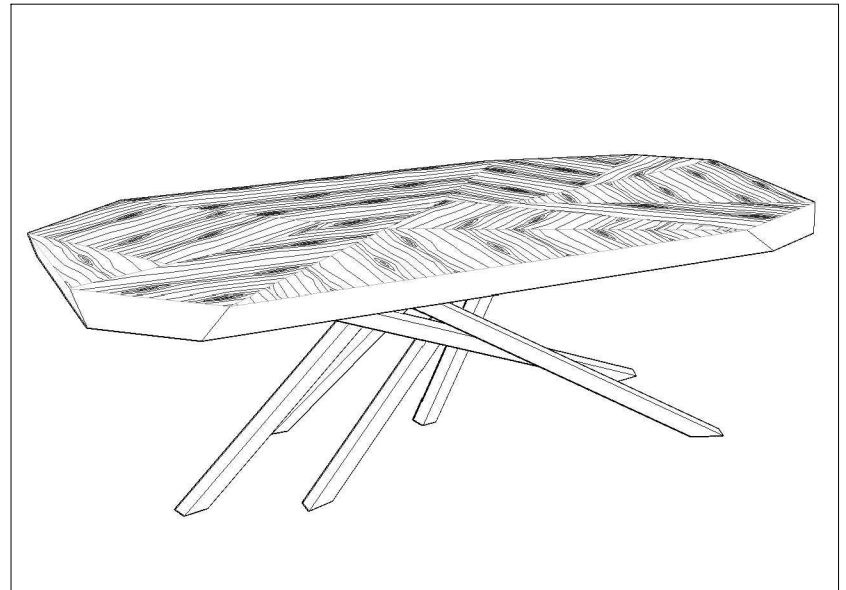
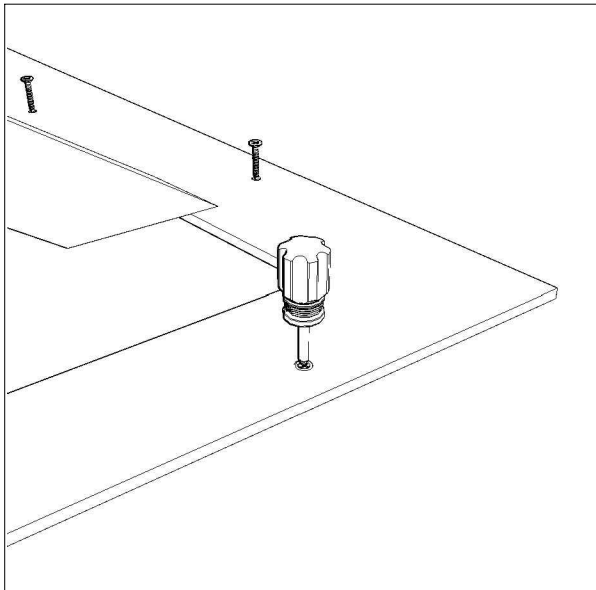
product details


- ▶ Artisan-crafted tabletops are built from exotic Mexican Palografico wood. Taken from tree trunks found buried or submerged in water for many years, this stunning lumber features unique color variations caused by natural discoloration.
- ▶ Tabletops are made from patchwork veneers and shaped by artisans into stunning, faceted surfaces finished with a semi-matte lacquer for added protection.
- ▶ Tripod table bases are built from steel finished with a gorgeous satin, gunmetal patina.
- ▶ Our wood furnishings are artisan-crafted using sustainably sourced materials from around the world, and the majority of our wood finishes are applied by hand. Due to this, individual pieces may vary in color, pattern, shape, and texture, making each piece truly unique.
- ▶ Wood furnishings may display small splits, knots, joint lines, or other organic features. These markings are normal and will not affect the performance of your piece.
- ▶ Furniture made from natural wood may move slightly as temperature and humidity cause the wood to expand and contract. This is normal and should be expected from season to season.
- ▶ Keep your furniture looking its best. Visit arhaus.com or speak to any Arhaus Design Consultant for care recommendations.





1 2



12  #8 x 1 1/4"

CARRINNA DINING TABLE

HARDWARE KIT: 91CARRINNAHW

Parts Inventory

Super Category	Product ID	Description	Collection	Route	Regular Price	Qty On Hand	Net Avail
DINING	91CARRINNAHW	CARRINNA DINING TABLE HARDWARE ASSEMBLY HARDWARE	PT-CARINNA		\$0.00	0	0

ARHAUS®

your home

castello



48" Round Dining Table

48" diameter x 30" h

Marmo Bianco 30CASWHT48KT

Marmo Marrone 30CASBRN48KT

Marmo Carbone 30CASBLK48KT

Seats up to 4.

54" Round Dining Table

54" diameter x 30" h

Marmo Bianco 30CASWHT54KT

Marmo Marrone 30CASBRN54KT

Marmo Carbone 30CASBLK54KT

Seats up to 6.

60" Round Dining Table

60" diameter x 30" h

Marmo Bianco 30CASWHT60KT

Marmo Marrone 30CASBRN60KT

Marmo Carbone 30CASBLK60KT

Seats up to 8.

71" Round Dining Table

71" diameter x 30" h

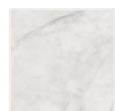
Marmo Bianco 30CASWHT71KT

Marmo Marrone 30CASBRN71KT

Marmo Carbone 30CASBLK71KT

Seats up to 10.

Finishes:



Marmo Bianco

Marmo Marrone

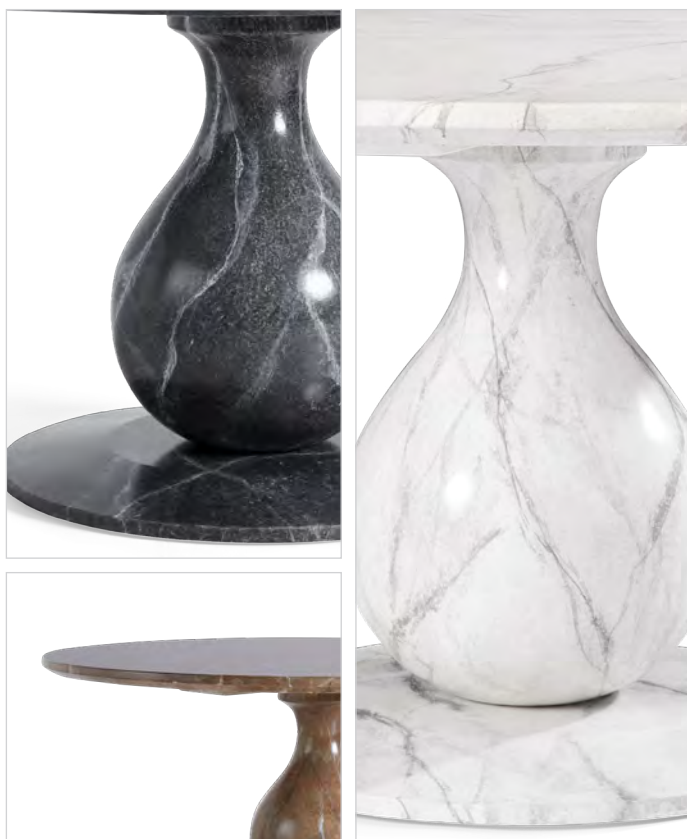
Marmo Carbone

a true Italian masterpiece made just for you

Like a work of fine art, our master artisans utilize centuries-old techniques passed down through generations to craft every detail of our exclusive Bell'Arte collection by hand. Made one at a time, specifically for you, in a region of Italy renowned for its furniture-making, these exquisite dining pieces are built from solid wood. Each hand-distressed surface is artfully finished, combining layers of stain, paint, and lacquer with careful brushstrokes—a process which takes over three days to complete per piece. Inspired by estates in the Northern Italian countryside, our Castello collection is skillfully decorated, using a feather to create delicate detailing that resembles authentic Calcutta Marble.

product details

- ▶ Our exclusive Bell'Arte collection is handcrafted by master artisans in a region of Italy renowned for its furniture-making.
- ▶ Dining tables are craftsman-built from poplar wood—a wood prized in the making of fine furniture.
- ▶ Wood tabletops are painstakingly hand-painted, using traditional techniques to recreate the appearance of authentic Calcutta Marble—combining layers of stain, paint, and lacquer with delicate detailing made with a feather to achieve a stunningly natural effect.
- ▶ Finishes are distressed by hand and lacquered for an elegant, timeworn appearance.
- ▶ Italian artisans meticulously carve all details by hand, making each piece truly one-of-a-kind.
- ▶ After the finishing process, which takes three days to complete, our artisans sign and date their work with the inscription "Hand-painted in Italy" written in Italian.
- ▶ Due to the delicate nature of artisan-painted, hand-distressed finishes, your piece may vary depending on your use and care. See an in-store design consultant or visit arhaus.com for care recommendations.
- ▶ This collection is hand-crafted from natural materials with hand-applied finishes. Individual pieces may vary in color, pattern, shape, and texture, making each truly unique.
- ▶ Natural wood may display small splits, knots, joint lines, or other organic features that will not affect the quality or performance of your piece.
- ▶ Furniture made from natural wood may move slightly due to temperature and humidity. This is normal and should be expected from season to season.
- ▶ If you wish, our artisans can specially personalize your Bell'Arte piece by hand-signing your name (up to three words) on the underside for no additional cost. Visit your local store or call to order.
- ▶ Keep your furniture looking its best. Visit arhaus.com or speak to any Arhaus Design Consultant for care recommendations.

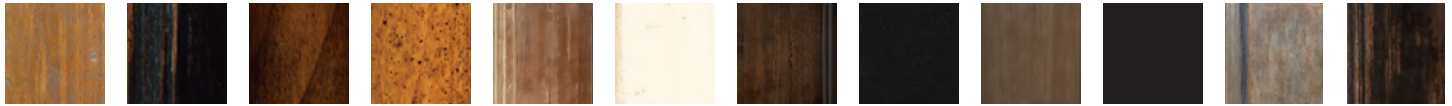


ARHAUS®

your home

available by special order

Round Dining Table | 48" diameter x 30" h | 54" diameter x 30" h | 60" diameter x 30" h | 71" diameter x 30" h



Antiqued Camel Rubbed Black Cantina Bassano Old English Walnut Verona Rubbed Ivory Noceto Solid Black Porfido Midnight Black *Fontaine Blue *Worn Black

**Artisan Finish: Due to the labor-intensive process of creating these finishes, there will be an increase in price.*

before we can place your order, we need to make sure that you agree with the following statements.

please initial each box below to indicate your agreement.

◀ I have selected the above specifications for my order. Images are shown to indicate general color tones but should not be used for color matching.

◀ I understand that if I cancel this order at any time I forfeit my delivery fee and 50% of the item purchase price.

◀ I understand that my selections are special order and will take up to 16 weeks for production. Please allow additional time for delivery.

◀ I've measured my doorways, stairways and entryways to make sure my furniture can be placed in the appropriate room.

customer name: _____

Please sign below to acknowledge your understanding and agreement.

customer signature: _____

_____ date: _____

design consultants: please fax this form to specialorder@arhaus.com

order no.:

ARHAUS®

your home

personalization form

* If you wish, the artisans can specially personalize your Bell'Arte piece by hand-painting your name (up to three words) on the underside for no additional cost.

personalized description

*Personalization can include up to 3 words. No symbols or characters. This should be hand written in all caps.

Print Name:

Signature of Applicant:

Date:

ASSEMBLING INSTRUCTIONS FOR LUNA TABLE

1. Open the table top box on the reverse side- keep the table top facing down inside original packing and lay it on the floor
2. Unpack the table base and put it next to the top: both top and base are marked with an "A". Set the base on the table top matching the two "A".
3. Place the base exactly in the perimeter of template you will find on the back of the table top.
4. In a plastic bag fixed to the pedestal you will find the assembling hardware: metal washers and screws



5. Insert screws in washers and tight them with a screwdriver.
6. Turn the table to normal position.
7. Should the table be unlevelled on the floor, adjust the 4 levellers under base by loosing or tightening them by hand as needed.



shown in
Sunday Stone/Antique Brass



ECLECTICALLY SOPHISTICATED

Gracefully styled to perfectly complement design aesthetics from contemporary to eclectically traditional, our Cava Dining Chairs feature shapely silhouettes. With craftsman-built metal foundations and reinforced hardwood frames, these elegant chairs are as durable as they are gorgeous. Antique Brass or Black chair bases provide sophisticated contrast to each seat's elegantly quilted upholstery, which is elevated by sculptural, gradually tapered backs. Luxe seats and backrests are generously padded with eco-friendly foam and sustained by a flexible network of heavy-duty webbing for hours of relaxing yet resilient comfort.

PRODUCT DETAILS

- + Bases are forged from metal and finished by hand with an Antiqued Brass or Black tone for added contrast.
- + Craftsman-built frames are constructed using kiln-dried, cross-directional hardwood laminate for added strength and durability.
- + Exceedingly durable wooden frames are designed to not change shape due to changes in temperature or humidity.
- + Our sustainably certified Crypton® Nomad Snow and Nomad Slate Home Performance Fabrics are easy to clean, soft, and durable—engineered with stain-, odor-, and moisture-resistant technology in every fiber.
- + Resilient upholstery is padded with generous, eco-friendly foam for superior comfort.
- + Seats and backrests are also sustained by flexible, heavy-duty webbing for reliable support.
- + Keep your furniture looking its best. Visit arhaus.com or speak to any Arhaus Design Consultant for care recommendations.



PERFORMANCE
FABRICS:
Crypton® Nomad Snow



Crypton®
Nomad Slate



FABRIC:
Sunday Stone



FINISHES:
Antique Brass



Black

shown in
Sunday Stone/Black



DINING CHAIR

20" w x 23" d x 35" h

Sunday Stone/ Antique Brass

Sunday Stone / Black

Crypton® Nomad Snow/Antique Brass

Crypton® Nomad Slate/Antique Brass

30CAVAWHT

30CAVAWHTBBS

30CAVASNWSD

30CAVASLTSD

IMAGE NOT
AVAILABLE

BARSTOOL

22.3" w x 21.5" d x 43.5" h

Crypton® Nomad Snow/Antique Brass

Crypton® Nomad Slate/Antique Brass

30CAVASNWBS

30CAVASLTBS

IMAGE NOT
AVAILABLE

COUNTER STOOL

22.3" w x 21.5" d x 39.5" h

Crypton® Nomad Snow/Antique Brass

Crypton® Nomad Slate/Antique Brass

30CAVASNWCS

30CAVASLTCS

DINING PARTS SKUS

CATEGORY	SKU	DESCRIPTION	STATUS	COLLECTION	ROUTE
DINING	91CAVAGLIDES	CAVA CHAIR GLIDES SQUARE CHAIR GLIDES	A	PT-CAVA	PART

ARHAUS®

your home

cecilia



Dining Chair
20" w x 23" d x 41" h
Gustavian Cream 30CECILIA2

Finishes:



Gustavian
Cream

your style your way

Craft a custom design that tells your style story.

This collection is available in special-order **Fabrics** and **Finishes**; details below.

Ask in store or call 866.427.4287

Italian craftsmanship with a Swedish flair.

Made in Italy, where the art of furniture-making is a time-honored tradition, our exclusive Cecilia Dining Chairs combine Scandinavian styling with exceptional craftsmanship to deliver a chic look for your space. These classic chairs are built and finished by hand, showcasing distinctive Swedish-inspired silhouettes. Curvilinear lines, characterized by hand-carved oval backrests and bell-shaped seats, exude vintage elegance and undeniable sophistication. Fully padded seats are fitted in your choice of fabric, delivering lasting comfort and one-of-a-kind style.

product details

- ▶ Dining chairs are constructed from solid beech hardwood, selected for its smooth grain, exceptional strength and stability.
- ▶ Finishes are meticulously applied by hand. Wood surfaces are painted and distressed to achieve a sophisticated, layered look.
- ▶ Finishes are lacquered for added protection and a subtle sheen.
- ▶ Fully padded drop-in seats may be fitted in your choice of dining fabric to complement any décor.
- ▶ Gracefully fluted legs and hand-turned, spindle-shaped stretchers infuse this chair with a touch of Old World charm while ensuring strength and stability for years to come.



cecilia | dining collection | made in Italy

Dimensions may vary slightly. Please ensure furnishings fit through interior structures and into desired space before purchase.

ARHAUS®

your home

available by special order

Dining Chair | 20" w x 23" d x 41" h



Noceto

Rubbed Black

Cantina Bassano

Old English Walnut

Midnight

Ivory

Grigio

Solid Black

Worn Black*

Farmhouse

Cinder

*Artisan Finish: Due to the labor-intensive process of creating these finishes, there will be an increase in price.

before we can place your order, we need to make sure that you agree with the following statements.
please initial each box below to indicate your agreement.

◀ I have selected the above specifications for my order. Images are shown to indicate general color tones but should not be used for color matching.

◀ I understand that if I cancel this order at any time I forfeit my delivery fee and 50% of the item purchase price.

◀ I understand that my selections are special order and will take up to 16 weeks for production. Please allow additional time for delivery.

◀ I've measured my doorways, stairways and entryways to make sure my furniture can be placed in the appropriate room.

customer name: _____

Please sign below to acknowledge your understanding and agreement.

customer signature: _____

order no.: _____

design consultants: please email this form to specialorder@arhaus.com

ARHAUS®

your home

cerea



Rectangular Dining Table

78" w x 44" d x 31.5" h, extends to 118" w	30CEREA78KT	seats up to 10
86" w x 44" d x 31.5" h, extends to 126" w	30CEREA86KT	seats up to 12
95" w x 44" d x 31.5" h, extends to 134" w	30CEREA94KT	seats up to 14

Round Dining Table

42" diameter x 31" h	30CEREA42KT	seats up to 3
48" diameter x 31" h	30CEREA48KT	seats up to 4
54" diameter x 31" h	30CEREA54KT	seats up to 6
60" diameter x 31" h	30CEREA60KT	seats up to 8
71" diameter x 31" h	30CEREA71KT	seats up to 10

*All Bell'Arte dining pieces are made to order.

a true masterpiece

Centuries-old woodworking techniques are used to craft every exquisite detail of our exclusive Bell'Arte collection. Handcrafted to order in a region of Italy renowned for its furniture-making, our dedicated artisans treat each unique piece like a work of art. Dining furnishings are built from solid wood and masterfully finished by hand, combining layers of stain, paint, and lacquer—a process which takes over three days to complete per piece. Inspired by the town of Cerea, which is near our artisan's factory, our Cerea Dining pieces are traditionally painted and detailed in reference to the flowers of Florence.

product details

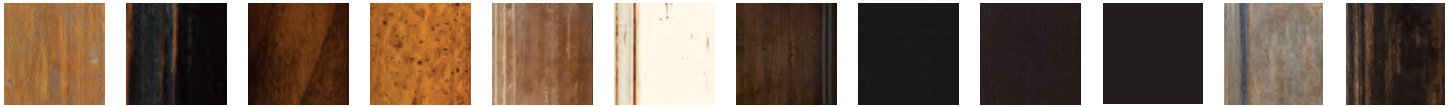
- ▶ As with the rest of our Arhaus-exclusive Bell'Arte Collection, these pieces are handcrafted in a region of Italy renowned for its furniture-making.
- ▶ Dining tables are craftsman-built from poplar wood—a wood prized in the making of fine furniture.
- ▶ Antique Antico finishes are hand-painted with scrolling details—layered ivory, grey, and beige tones create an elegant, timeless aesthetic. Table bases feature a contrasting, dark grey finish.
- ▶ Finishes are aged and lacquered for an elegant, timeworn appearance.
- ▶ Italian artisans meticulously carve all details by hand, making each piece truly one-of-a-kind.
- ▶ After the finishing process, which takes three days to complete, the artisans sign "Hand-painted in Italy" in Italian and date their work.
- ▶ Rectangular Dining tables include two 20" extensions to accommodate additional seating.
- ▶ This collection is artisan-crafted from natural materials with hand-applied finishes. Individual pieces may vary in color, pattern, shape, and texture, making each truly unique.
- ▶ Natural wood may display small splits, knots, joint lines, or other organic features that will not affect the quality or performance of your piece.
- ▶ Furniture made from natural wood may move slightly due to temperature and humidity. This is normal and should be expected from season to season.
- ▶ *If you wish, the artisans can specially customize your Bell'Arte piece by hand-painting your name (up to three words) on the underside for no additional cost*
- ▶ Keep your furniture looking its best. Visit arhaus.com or speak to any Arhaus Design Consultant for care recommendations.



ARHAUS®

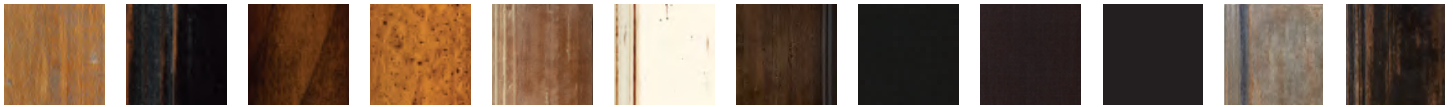
your home

Rectangular Dining Table | 78" w x 44" d x 31.5" h, extends to 118" w | 86" w x 44" d x 31.5" h, extends to 126" w | 95" w x 44" d x 31.5" h, extends to 134" w



Antique Camel Rubbed Black Cantina Bassano Old English Walnut Verona Rubbed Ivory Noceto Solid Black Espresso Marrone Coreccia *Fontaine Blue *Worn Black
(Image not available)

Round Dining Table | 42" diameter x 31" h | 48" diameter x 31" h | 54" diameter x 31" h | 60" diameter x 31" h | 71" diameter x 31" h



Antique Camel Rubbed Black Cantina Bassano Old English Walnut Verona Rubbed Ivory Noceto Solid Black Espresso Marrone Coreccia *Fontaine Blue *Worn Black
(Image not available)

before we can place your order, we need to make sure that you agree with the following statements.

please initial each box below to indicate your agreement.

◀ I have selected the above specifications for my order. Images are shown to indicate general color tones but should not be used for color matching.

◀ I understand that if I cancel this order at any time I forfeit my delivery fee and 50% of the item purchase price.

◀ I understand that my selections are special order and will take up to 16 weeks for production. Please allow additional time for delivery.

◀ I've measured my doorways, stairways and entryways to make sure my furniture can be placed in the appropriate room.

customer name: _____

Please sign below to acknowledge your understanding and agreement.

customer signature: _____

order no.: _____ date: _____

design consultants: please email this form to specialorder@arhaus.com

ARHAUS®

your home

personalization form

* If you wish, the artisans can specially customize your Bell'Arte piece by hand-painting your name (up to three words) on the underside for no additional cost.

personalized description

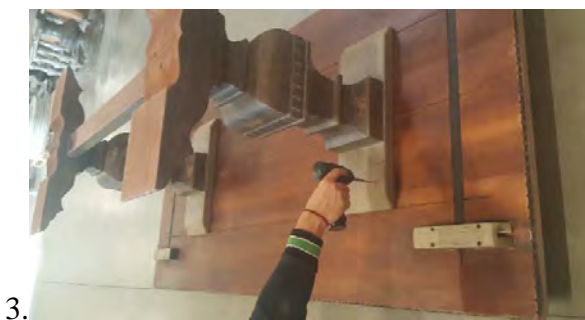
*The personalization can include up to 3 words. No symbols or characters. This should be hand written in all caps.

Print Name:

Signature of Applicant:

Date:

ASSEMBLING INSTRUCTIONS FOR CERIA TABLE



- 1) Open the table box on the reverse side, keep the table top facing down inside original packing and lay it on the floor.
- 2) Unpack the table base and fix the stretcher to the two pedestal as show in above pictures
- 3) In a plastic bag fixed to the pedestal you will find the assembling hardware: metal washers and screw.
Insert screws in washer and tight them with a screwdriver.
- 4) Turn the table to normal position.

1. Open the table top box on the reverse side- keep the table top facing down inside original packing and lay it on the floor
2. Unpack the table base and put it next to the top: both top and base are marked with an A. Set the base on the table top matching the two "A".
3. Place the base exactly in the perimeter of template you will find on the back of the table top.
4. In a plastic bag fixed to the pedestal you will find the assembling hardware: 16 metal washers and screws
(8 washers+8 screws)



5. Insert screws in washers and tight them with a screwdriver.
6. Turn the table to normal position.
7. Should the table be unlevelled on the floor, adjust the 4 levellers under base by loosing or tightening them by hand as needed

ARHAUS®

your home

cironi



Rectangular Dining Table

78" w x 44" d x 31.5" h, extends to 118" w 30CIRONI78KT seats up to 10
86" w x 44" d x 31.5" h, extends to 126" w 30CIRONI86KT seats up to 12
95" w x 44" d x 31.5" h, extends to 134" w 30CIRONI94KT seats up to 14



Round Dining Table

42" diameter x 31" h 30CIRONI42KT seats up to 3
48" diameter x 31" h 30CIRONI48KT seats up to 4
54" diameter x 31" h 30CIRONI54KT seats up to 6
60" diameter x 31" h 30CIRONI60KT seats up to 8
71" diameter x 31" h 30CIRONI71KT seats up to 10

Finishes



Fontaine Grey

your style your way

Craft a custom design that tells your style story. This collection is available in special-order **finishes**

Ask in store or call **866.427.4287**

*All Bell'Arte dining pieces are made to order.

a true masterpiece

Centuries-old woodworking techniques are used to craft every exquisite detail of our exclusive Bell'Arte collection. Handcrafted to order in a region of Italy renowned for its furniture-making, our dedicated artisans treat each unique piece like a work of art. Dining tables are built from solid poplar wood and masterfully finished by hand, combining layers of stain, paint, and lacquer—a process which takes over three days to complete per piece. Our Cironi Dining tables are accented with hand-carved dentil moulding and feature hand-distressed finishes layered with grey, white, and natural tones, which coalesce in a versatile, timeless aesthetic.

product details

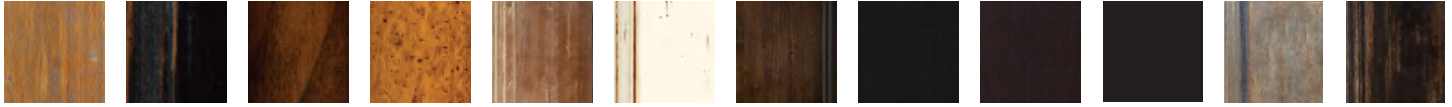
- ▶ As with the rest of our Arhaus-exclusive Bell'Arte Collection, these pieces are handcrafted in a region of Italy renowned for its furniture-making.
- ▶ Craftsman-built from poplar wood—a wood prized in the making of fine furniture.
- ▶ Fontaine Grey finishes are hand-distressed finishes with layered, blue, grey, white, and natural tones, which coalesce in a versatile, timeless aesthetic.
- ▶ Italian artisans meticulously carve all details by hand, making each piece truly one-of-a-kind.
- ▶ After the finishing process, which takes three days to complete, the artisans sign "Hand-painted in Italy" in Italian and date their work.
- ▶ This collection is artisan-crafted from natural materials with hand-applied finishes. Individual pieces may vary in color, pattern, shape, and texture, making each truly unique.
- ▶ Natural wood may display small splits, knots, joint lines, or other organic features that will not affect the quality or performance of your piece.
- ▶ Furniture made from natural wood may move slightly due to temperature and humidity. This is normal and should be expected from season to season.
- ▶ *If you wish, the artisans can specially customize your Bell'Arte piece by hand-painting your name (up to three words) on the underside for no additional cost*
- ▶ Keep your furniture looking its best. Visit arhaus.com or speak to any Arhaus Design Consultant for care recommendations.



ARHAUS®

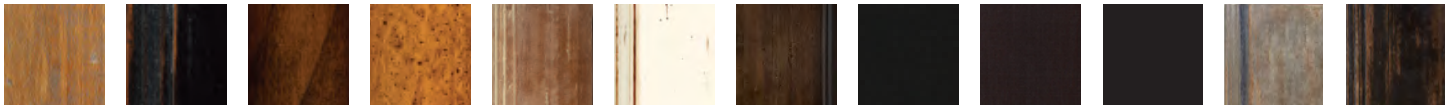
your home

Rectangular Dining Table | 78" w x 44" d x 31.5" h, extends to 118" w | 86" w x 44" d x 31.5" h, extends to 126" w | 94" w x 44" d x 31.5" h, extends to 134" w



Antique Camel Rubbed Black Cantina Bassano Old English Walnut Verona Rubbed Ivory Noceto Solid Black Espresso Marrone Coreccia *Fontaine Blue *Worn Black
(Image not available)

Round Dining Table | 42" diameter x 31" h | 48" diameter x 31" h | 54" diameter x 31" h | 60" diameter x 31" h | 71" diameter x 31" h



Antique Camel Rubbed Black Cantina Bassano Old English Walnut Verona Rubbed Ivory Noceto Solid Black Espresso Marrone Coreccia *Fontaine Blue *Worn Black
(Image not available)

before we can place your order, we need to make sure that you agree with the following statements.

please initial each box below to indicate your agreement.

◀ I have selected the above specifications for my order. Images are shown to indicate general color tones but should not be used for color matching.

◀ I understand that if I cancel this order at any time I forfeit my delivery fee and 50% of the item purchase price.

◀ I understand that my selections are special order and will take up to 16 weeks for production. Please allow additional time for delivery.

◀ I've measured my doorways, stairways and entryways to make sure my furniture can be placed in the appropriate room.

customer name: _____

Please sign below to acknowledge your understanding and agreement.

customer signature: _____

order no.: _____ date: _____

design consultants: please email this form to specialorder@arhaus.com

ARHAUS®

your home

personalization form

* If you wish, the artisans can specially customize your Bell'Arte piece by hand-painting your name (up to three words) on the underside for no additional cost.

personalized description

*The personalization can include up to 3 words. No symbols or characters. This should be hand written in all caps.

Print Name:

Signature of Applicant:

Date:

1



2



3



4



5



6



1) Open the table box on the reverse side, keep the table top facing down inside original packing and lay it on the floor.

2) Unpack the table base and fix the stretcher to the two pedestal as show in above pictures

3) In a plastic bag fixed to the pedestal you will find the assembling hardware: metal washers and screw.

Insert screws in washer and tight them with a screwdriver.

4) Turn the table to normal position.

ASSEMBLING INSTRUCTIONS FOR CIRONI TABLE

1. Open the table top box on the reverse side- keep the table top facing down inside original packing and lay it on the floor
2. Unpack the table base and put it next to the top: both top and base are marked with an "A". Set the base on the table top matching the two "A".
3. Place the base exactly in the perimeter of template you will find on the back of the table top.
4. In a plastic bag fixed to the pedestal you will find the assembling hardware: metal washers and screws



1



2

5. Insert screws in washers and tight them with a screwdriver.
6. Turn the table to normal position.
7. Should the table be unlevelled on the floor, adjust the 4 levellers under base by loosening or tightening them by hand as needed.



3



4

ARHAUS®
your home
claybourne



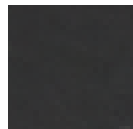
Armchair
28" w x 30.5" d x 41" h
Canton White 30CLAYWHITE

Fabrics:



Canton White

Finishes:



Black Drifted

your style your way

Craft a custom design that tells your style story.

This collection is available in special-order **Fabrics, Leathers, and Finishes.**

Ask in store or call **866.427.4287**

classically styled comfort

The transitional style of our Claybourne Dining Chairs brings a classic charm to any dining space. Expertly upholstered in designer-inspired neutral fabrics, these chairs' large silhouettes feature graceful curves accentuated by hand-tufted detailing and nailheads. Sumptuous seats are supported by generous padding and a no-sag spring systems that provide firm yet flexible comfort for hours.

product details

- ▶ Solid oak wood legs are hand-painted and distressed to highlight the wood's natural grain.
- ▶ Wood finishes are lacquered for added protection and a subtle sheen.
- ▶ Chair bases are surrounded by hand-applied nailheads for added detail.
- ▶ Handcrafted, solid, kiln-dried oak frames are built using mortise-and-tenon joinery and reinforced with corner blocks for added stability.
- ▶ Frames feature foam-padded, no-sag, sinuous support systems beneath seat cushions for evenly dispersed, firm yet flexible comfort.
- ▶ Keep your furniture looking its best. Visit arhaus.com or speak to any Arhaus Design Consultant for care recommendations.



claybourne | chatham dining collection | made in Asia

Dimensions may vary slightly. Please ensure furnishings fit through interior structures and into desired space before purchase.

DINING PARTS SKUS

CATEGORY	SKU	DESCRIPTION	STATUS	COLLECTION	ROUTE
DINING	91CLAYBTTON	CLAYBOURNE CANTON WHT BUTTON CANTON WHITE BUTTON	D	PT-CLAYBRN	PART

ARHAUS®

your home

COBURN

COVENTRY DINING COLLECTION | MADE IN CHINA



DINE IN CONTEMPORARY COMFORT

Our Coburn Collection features modular designs that are easy to arrange and even easier to love. Crafted in casual style, Coburn is fitted in our incredible Crypton® Home Performance Fabrics that withstand the stains and spills of everyday living.

PRODUCT DETAILS

- + Craftsman-built frames are constructed using solid, reinforced hardwood for lasting strength and stability.
- + Our sustainably certified Crypton® Nomad Snow Home Performance Fabric is easy to clean, soft, and durable—engineered with stain-, odor-, and moisture-resistant technology.
- + Frame support systems feature no-sag springs made from recycled steel.
- + Seat cushions contain dense foam padded with a blend of sterilized down and feathers.
- + Backrests are filled with a plush blend of poly fiber, sterilized down, and feathers, and back frame system is supported by flexible elastic webbing.
- + Keep your furniture looking its best. Visit arhaus.com or speak to any Arhaus Design Consultant for care recommendations.

CRYPTON® HOME PERFORMANCE FABRIC:



Crypton®
Nomad Snow

NEED HELP?

Visit a store, call **866.427.4287**, or **live chat** with our Design Team to learn more.



54.5" ARMLESS BENCH

54.5" w x 25.75" d x 31" h

Nomad Snow 30CBRN54AMLB

Seats up to 3



80" ARMLESS BENCH

80" w x 25.75" d x 31" h

Nomad Snow 30CBRN80AMLB

Seats up to 4



80" LEFT ARM BENCH

80" w x 25.75" d x 31" h

Nomad Snow 30CBRN90LFRT

Seats up to 4

80" RIGHT ARM BENCH

80" w x 25.75" d x 31" h

Nomad Snow 30CBRN90RGRT

Seats up to 4



SIDE CHAIR

20" w x 20.75" d x 31" h

Nomad Snow 30CBRNSDCHNS

Seats 1



80.25" RIGHT ARM
BANQUETTE

80.25" w X 25.75" d X 31" h
Nomad Snow 30CBRN80RGBQ
Seats up to 7

80.25" LEFT ARM
BANQUETTE

80.25" w X 25.75" d X 31" h
Nomad Snow 30CBRN80LFBQ
Seats up to 7



105.75" RIGHT ARM
BANQUETTE

105.75" w X 81.5" d X 31" h
Nomad Snow 30CBRN105RBQ
Seats up to 8

105.75" LEFT ARM
BANQUETTE

105.75" w X 81.5" d X 31" h
Nomad Snow 30CBRN105LBQ
Seats up to 8

ARHAUS®

your home

cordelia



Dining Table

87.75" w x 45" d x 30" h

30CORD88OVTB

Seats up to 6

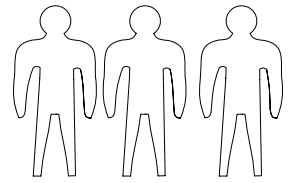
unique contemporary craftsmanship

Our Cordelia dining table is a true work of art, blending inspirations of art deco and Hollywood regency designs with the neo-futuristic styles of the 1970s. Stunning, sleek surfaces crafted by Indonesian artisans are pieced together from hand-laid oak burl veneers, like puzzle pieces stained with rich finishes that accentuate every natural detail. Varying natural wood tones and organic grain patterns ensure that no two pieces appear exactly alike. And, cast aluminum table legs smoothly contoured to match table edges are finished in rich, antiqued brass tones coated with lacquer for a smooth, clean-lined aesthetic.

product details

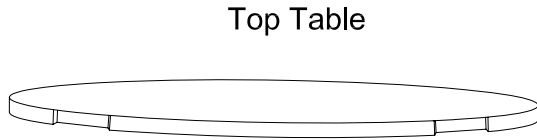
- ▶ Handcrafted by Indonesian artisans, Cordelia tabletops are made from oak burl veneers hand-placed one at a time onto every surface.
- ▶ Tabletops are hand-stained with a rich, natural brown finish designed to enhance the oak burl's organic features—and showcase its unique colors and grain patterns.
- ▶ Finished surfaces are sealed, toned, and coated with a lacquer top coat for added protection and a subtle sheen.
- ▶ Table legs are cast from aluminum and finished with a warm brass tone, which is antiqued and coated with lacquer for added protection.
- ▶ Seats up to 6.
- ▶ Keep your furniture looking its best. Visit arhaus.com or speak to any Arhaus Design Consultant for care recommendations.



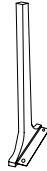


Cordelia Table

Assembly Instruction



Leg 4 pcs



4 pcs



4 pcs



4 pcs



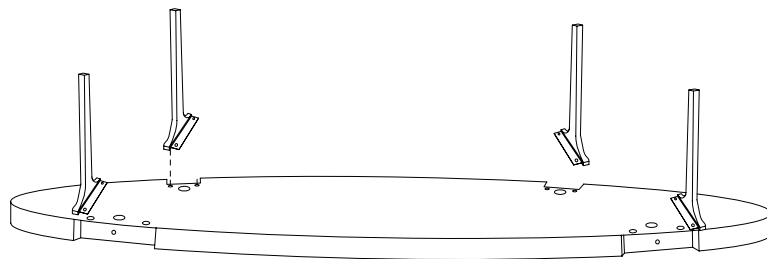
8 pcs



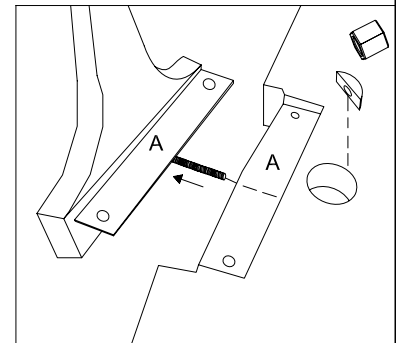
1 pcs



1 pcs



Detail : 1



Step 1.

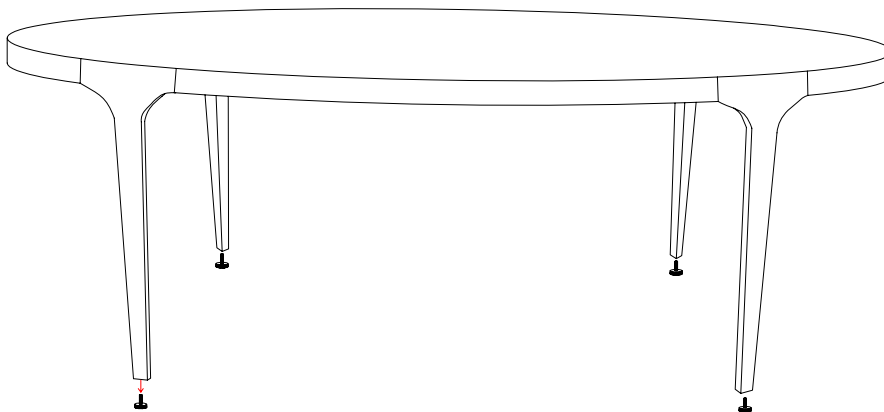
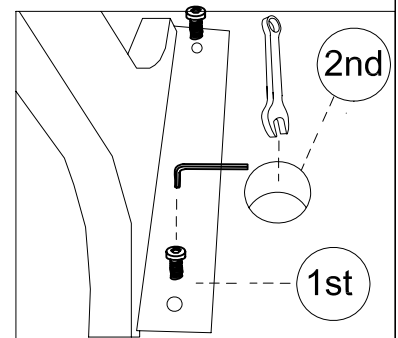
Put the Table top upside down as illustrated .

Insert the threaded bolts into each legs until maximum.

Attach the legs to the top by inserting threaded bolts into the holes provided. Secured the legs with nut and halfmoon washer, half tightened with wrench key as well as the hexagonal bolts with allen key. Fully tightened the bolt (1st) and the nut (2nd).

Remember the font marks on the legs are matched whats on the top.

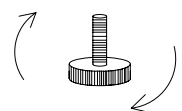
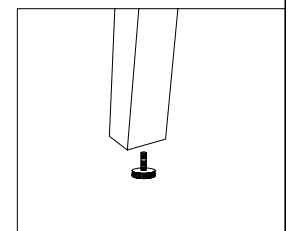
Detail : 2



Step 2.

Turn the table upside down the helf of both 2 people.

Level the Table by turning the round leveler underneath each foot



Levelling the table

PARTS INVENTORY

Super Category	Product ID	Description	Stat	Collection	Route
DINING	91CORDELTBHW	CORDELIA 88" TABLE HARDWARE ASSEMBLY HARDWARE	A	PT-CORDELA	PART

ARHAUS®

your home

eaton



Banquette

112" w x 73" d x 34" h

Theater Gunsmoke/Hickory 30EATONKT

View Otter/Fossil 30EATVIEWKT

Norre Sable/Hickory 30EATNORREKT



Non-tufted Banquette

112" w x 73" d x 34" h

Davos Night/Fossil 30EATDAVOSKT

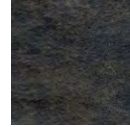
Fabrics:



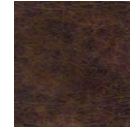
Theater Gunsmoke



View Otter



Norre Steel

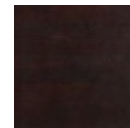


Norre Sable



Davos Night

Finishes:



Hickory



Flannel



Fossil

your style your way

Craft a custom design that tells your style story.

This collection is available in special-order:

Fabrics, Leathers, Finishes, and more, details below. | Ask in store or call 866.427.4287

grand or small, gather comfortably with Eaton.

Around the dining table—the most universal of gathering places—comfort is key. This modular seating system is expertly upholstered on all sides, featuring deep, generously padded cushions and accent pillows for stay-for-a-while seating that is guaranteed to bring hours of great conversation. Craft your style story by customizing your configuration with our wide selection of fabrics, recycled leathers, and leg finishes.

product details

- ▶ Craftsman-built frames are constructed using solid, reinforced, laminate hardwood for lasting strength and superior stability.
- ▶ Legs are made from solid maple wood.
- ▶ Made in America—this collection was handcrafted by upholstery artisans in North Carolina.
- ▶ Arhaus upholstery is made using wood certified by the Sustainable Forestry Initiative.
- ▶ Frames feature a recycled-steel Flexolator suspension system beneath seat cushions for evenly dispersed, firm yet flexible comfort.
- ▶ Backrests are sustained by flexible, sinuous springs for resilient support and stability.
- ▶ Cushion cores are made with dense, eco-friendly foam made partly from sustainable, plant-based material.
- ▶ Seat cushions are padded with sterilized down, feathers, and poly-fiber to create a relaxing, "sink-into" feel.
- ▶ Cushions are wrapped in cotton, down-proof casings to maintain their shape. Channel-stitching keeps padding in place for added resilience.
- ▶ Other pieces are available by special-order. Ask any of our in-store or online Design Consultants for details.
- ▶ Toss pillows are included with fabric and recycled-leather orders only.
- ▶ Special-order leather-upholstered pieces do not include toss pillows.
- ▶ Pillows are also sold individually. Speak to a Design Consultant for details.



ARHAUS®

your home



101" Settee
 101" w x 32" d x 34" h
 Norre Steel/Flannel 30EAT102NSTL
 Norre Sable/Hickory 30EAT102NOR



101" Non-tufted Settee
 101" w x 32" d x 34" h
 Davos Night/Fossil 30EAT102NGHT



80" Settee
 80" w x 32" d x 34" h
 Theater Gunsmoke/Hickory 30EAT80SETTE
 View Otter/Fossil 30EAT80VIEW
 Norre Sable/Hickory 30EAT80NOR



80" Non-tufted Settee
 80" w x 32" d x 34" h
 Davos Night/Fossil 30EAT80NGHT



Bench
 41" w x 32" d x 34" h
 Theater Gunsmoke/Hickory 30EAT42BEN
 View Otter/Fossil 30EAT42VIEW
 Norre Sable/Hickory 30EAT42NOR



Non-tufted Bench
 41" w x 32" d x 34" h
 Davos Night/Fossil 30EAT42NGHT

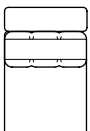


Corner
 32" w x 32" d x 34" h
 Theater Gunsmoke/Hickory 30EAT32CRN
 View Otter/Fossil 30EAT32VIEW
 Norre Sable/Hickory 30EAT32NOR

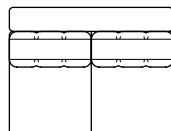


Non-tufted Corner
 32" w x 32" d x 34" h
 Davos Night/Fossil 30EATCRNNGHT

available by special order



Dining Chair
 27" w x 32" d x 34" h



58" Settee
 58" w x 32" d x 34" h

DINING PARTS SKUS

Super Category	Product ID	Description	Collection	Route
DINING	CS1231RTPS	1231-RTP 11X20 TOSS CASING	PT-EATON	PARGD

ARHAUS®

your home

enzo



39" Table

39" diameter x 30" h
Bluestone
White Marble
Seats up to 2

30ENZO39BSKT
30ENZO39MBKT

48" Table

48" diameter x 30" h
Bluestone
White Marble
Seats up to 4

30ENZO48BSKT
30ENZO48MBKT

54" Table

54" diameter x 30" h
Bluestone
White Marble
Seats up to 6

30ENZO54BSKT
30ENZO54MBKT

60" Table

60" diameter x 42.5" h
Bluestone
White Marble
Seats up to 8

30ENZO60BSKT
30ENZO60MBKT



Bar Table

27.5" diameter x 42.5" h
Bluestone
White Marble
Seats up to 2

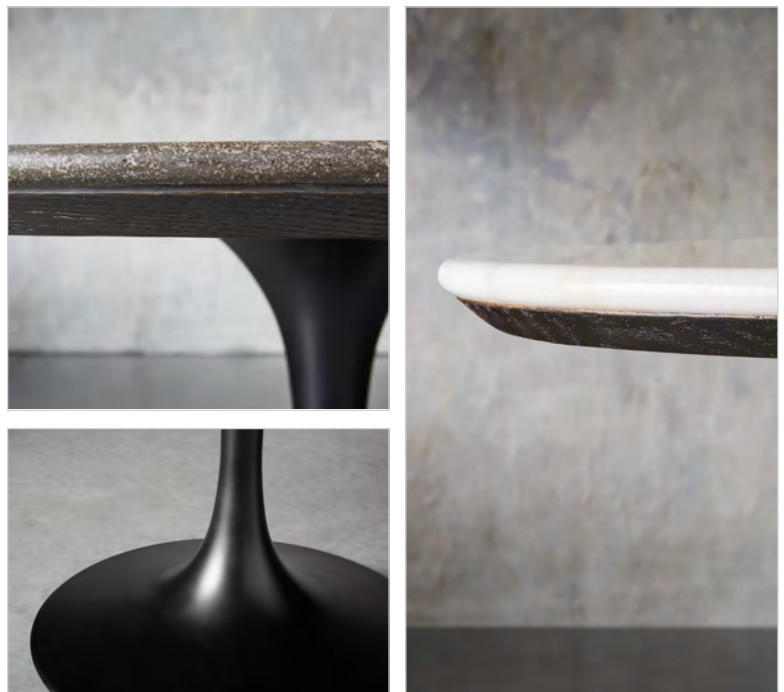
30ENZO28BSKT
30ENZO28MBKT

naturally modern






Showcasing the one-of-a-kind elegance of natural, hand-cut bluestone or white marble tabletops, our Enzo dining table collection features a sleek and modern style. Chic, transitional tulip-style table bases made from solid iron complement polished stone surfaces, creating a refined aesthetic that will elevate any formal or casual dining space.

product details

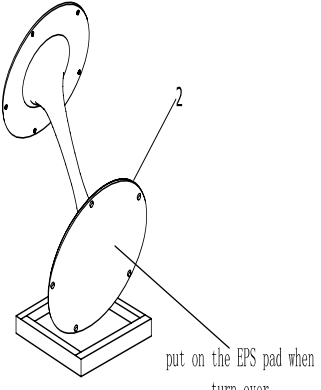
- ▶ Craftsman-built tabletops are handcrafted from elegant bluestone or white marble supported by solid oak.
- ▶ Finished stone surfaces are polished to accentuate natural mineral deposits, swirling, joint lines, veining, and other natural features, which add character to each piece without affecting quality or performance.
- ▶ Solid oak wood under stone surfaces is distressed, bleached, and finished in a complementary tone before being sanded, lacquered, and waxed for added protection and subtle sheen.
- ▶ Tulip-style table bases are made from solid forged iron with a lacquered finish, creating a sleek, modern aesthetic.
- ▶ 39" Table seats up to 2.
- ▶ 48" Table seats up to 4.
- ▶ 54" Table seats up to 6.
- ▶ 60" Table seats up to 8.
- ▶ Bar Table seats up to 2.
- ▶ Keep your furniture looking its best. Visit arhaus.com or speak to any Arhaus Design Consultant for care recommendations.



ENZO

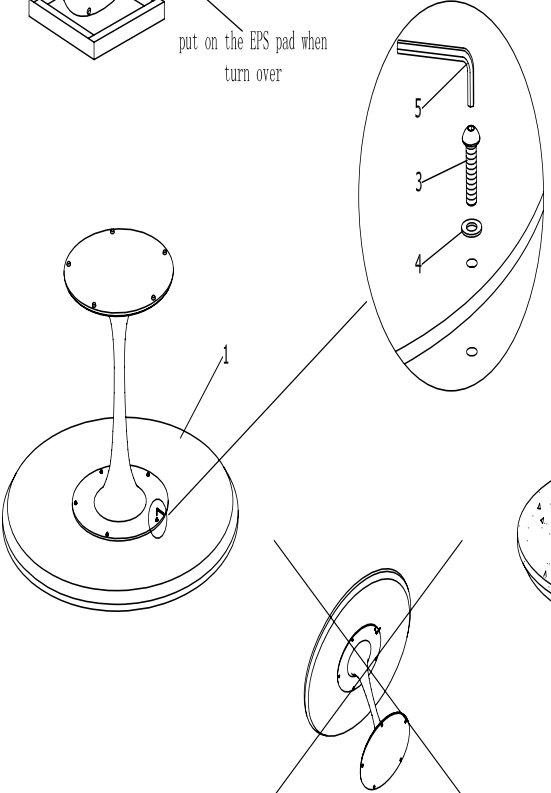
1		1
2		1
3	 MBx20	5
4	 8-16	5
5	 5	1

①

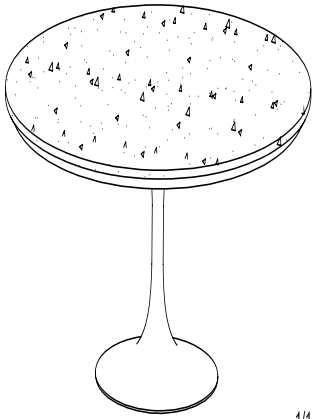


put on the EPS pad when
turn over

②



Do not put as shown in
figure



1/1

09/27/2018

PARTS INVENTORY

Super Category	Product ID	Description	Stat	Collection	Route
DINING	91ENZOBARHDW	ENZO 28" BAR TABLE HARDWARE ASSEMBLY HARDWARE	A	PT-ENZO	PART
DINING	91ENZO39HDW	ENZO 39" DINING TABLE HARDWARE ASSEMBLY HARDWARE	A	PT-ENZO	PART
DINING	91ENZOHDW	ENZO 48", 54", 60" DIN TBLE HW ASSEMBLY HARDWARE	A	PT-ENZO	PART
DINING	91ENZOLEVEL	ENZO DINING/BAR TABLE LEVELER TABLE LEVELER	A	PT-ENZO	PART

ARHAUS®

your home

FALLYN

CHATHAM DINING CHAIR COLLECTION

MADE IN CHINA

shown in
Burbank Natural



GATHER IN VERSATILITY & COMFORT

The transitional style of our Fallyn Dining Chair Collection features generously cushioned seats complemented by exposed wood. Hand-built frames are constructed from solid, kiln-dried oak, selected for its incredible strength and stability. Expertly fitted upholstery is padded and supported by no-sag sinuous spring support for resilient, sink-into comfort. And, finishes are painted by hand in a rich, black tone, resulting in a neutral and comfortable design that will easily complement any dining décor.



NEED HELP?

Visit a store, call **866.427.4287**, or **live chat** with our Design Team to learn more.

ARHAUS®

your home

FALLYN

CHATHAM DINING CHAIR COLLECTION

MADE IN CHINA

shown in
Linen Natural



PRODUCT DETAILS

- + Craftsman-built frames are constructed using solid, kiln-dried oak reinforced with mortise-and-tenon joinery and corner blocks for added stability.
- + Solid wood legs and exposed oak framing is painted and lacquered by hand.
- + Seats are sustained by foam-padded, no-sag, recycled-steel, sinuous support systems for evenly dispersed, firm yet flexible comfort.
- + Our sustainably certified Crypton® Nomad Snow Home Performance Fabric is easy to clean, soft, and durable—engineered with stain-, odor-, and moisture-resistant technology in every fiber.
- + Lines of leather upholstered seats and backs are accentuated by brass nailheads.
- + Armchair seat height measures 19.75" h.
- + Side chair seat height measures 19" h.
- + Counter stool seat height measures 25.25" h.
- + Barstool seat height measures 29.25" h.
- + Keep your furniture looking its best. Visit arhaus.com or speak to any Arhaus Design Consultant for care recommendations.

CRAFT A CUSTOM LOOK

This collection is available in customizable **Fabrics, Finishes, and Nailheads.**

Visit a store, call **866.427.4287**, or **live chat** with our Design Team to learn more.

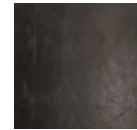
FABRICS:



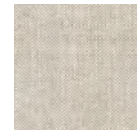
Crypton®
Nomad
Snow



Burbank
Natural



Faux
Grey
Leather*



Linen
Natural*

FINISH:



Black
Drifted

**Available by special order.*

ARHAUS®

your home

FALLYN

CHATHAM DINING CHAIR COLLECTION

MADE IN CHINA

shown in
Burbank Natural



SIDE CHAIR

20.5" w x 25" d x 35" h

Nomad Snow 30FLSCBDNDS
Burbank Natural 30FLSCBDBKN



ARMCHAIR

24" w x 25" d x 35" h

Nomad Snow 30FLACBDNDS
Burbank Natural 30FLACBDBKN

shown in
Faux Grey Leather



BARSTOOL

21.25" w x 26.5" d x 44" h

Faux Grey Leather IY3FBHA*



COUNTER STOOL

21.25" w x 26.5" d x 40.25" h;
seat 21.25" w x 26.5" d x 29" h

Faux Grey Leather IY3FBSA*

*Available by special order.

ARHAUS®

your home

florence



Round Dining Table

42" diameter x 31" h
48" diameter x 31" h
54" diameter x 31" h
60" diameter x 31" h
71" diameter x 31" h

30FLOR42KT

30FLOR48KT

30FLORC54KT

30FLOR60KT

30FLOR71KT

Seats up to 2.

Seats up to 4.

Seats up to 6.

Seats up to 8.

Seats up to 10.

Round Dining Table

78" w x 44" d x 31.5" h, extends to 118" w

86" w x 44" d x 31.5" h, extends to 126" w

94" w x 44" d x 31.5" h, extends to 134" w

30FLOR78KT

30FLOR86KT

30FLOR94KT

seats up to 10

seats up to 12

seats up to 14

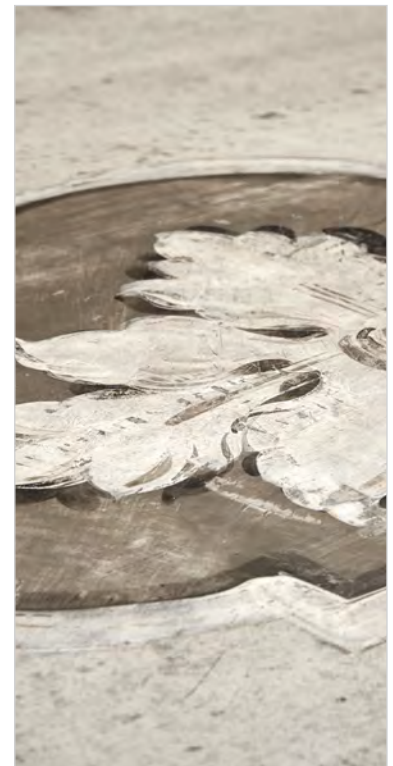
*All Bell'Arte dining pieces are made to order.

a true masterpiece

Centuries-old woodworking techniques are used to craft every exquisite detail of our exclusive Bell'Arte collection. Handcrafted to order in a region of Italy renowned for its furniture-making, our dedicated artisans treat each unique piece like a work of art. Dining tables are built from solid poplar wood and masterfully finished by hand, combining layers of stain, paint, and lacquer—a process which takes over three days to complete per piece. Our Florence Dining Tables are features a floral-detailed tabletops inspired by the flowers of Florence.

product details

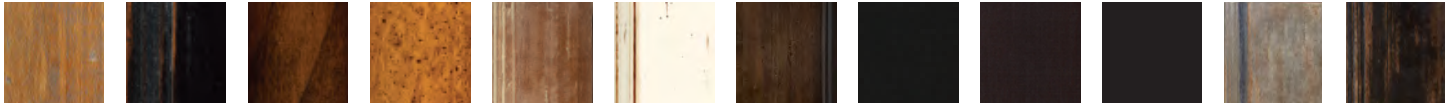
- ▶ As with the rest of our Arhaus-exclusive Bell'Arte Collection, these pieces are handcrafted in a region of Italy renowned for its furniture-making.
- ▶ Dining tables are craftsman-built from poplar wood—a wood prized in the making of fine furniture.
- ▶ Antique Firenze finishes are hand-painted. Tabletops are layered with ivory, grey, and beige tones; while table bases feature a dark grey.
- ▶ Finishes are aged and lacquered for an elegant, timeworn appearance.
- ▶ Italian artisans meticulously carve all details by hand, making each piece truly one-of-a-kind.
- ▶ After the finishing process, which takes three days to complete, the artisans sign "Hand-painted in Italy" in Italian and date their work.
- ▶ Rectangular Dining tables include two 20" extensions to accommodate additional seating.
- ▶ This collection is artisan-crafted from natural materials with hand-applied finishes. Individual pieces may vary in color, pattern, shape, and texture, making each truly unique.
- ▶ Natural wood may display small splits, knots, joint lines, or other organic features that will not affect the quality or performance of your piece.
- ▶ Furniture made from natural wood may move slightly due to temperature and humidity. This is normal and should be expected from season to season.
- ▶ Keep your furniture looking its best. Visit arhaus.com or speak to any Arhaus Design Consultant for care recommendations.



ARHAUS®

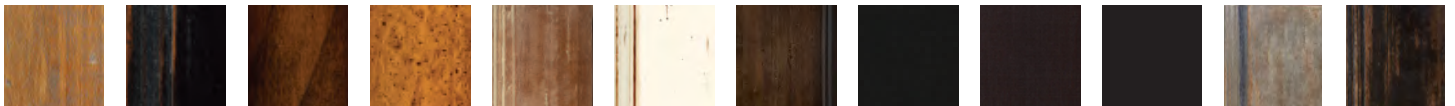
your home

Rectangular Dining Table | 78" w x 44" d x 31.5" h, extends to 118" w | 86" w x 44" d x 31.5" h, extends to 126" w | 95" w x 44" d x 31.5" h, extends to 134" w



Antique Camel Rubbed Black Cantina Bassano Old English Walnut Verona Rubbed Ivory Noceto Solid Black Espresso Marrone Coreccia *Fontaine Blue *Worn Black
(Image not available)

Round Dining Table | 42" diameter x 31" h | 48" diameter x 31" h | 54" diameter x 31" h | 60" diameter x 31" h | 71" diameter x 31" h



Antique Camel Rubbed Black Cantina Bassano Old English Walnut Verona Rubbed Ivory Noceto Solid Black Espresso Marrone Coreccia *Fontaine Blue *Worn Black
(Image not available)

before we can place your order, we need to make sure that you agree with the following statements.

please initial each box below to indicate your agreement.

◀ I have selected the above specifications for my order. Images are shown to indicate general color tones but should not be used for color matching.

◀ I understand that if I cancel this order at any time I forfeit my delivery fee and 50% of the item purchase price.

◀ I understand that my selections are special order and will take up to 16 weeks for production. Please allow additional time for delivery.

◀ I've measured my doorways, stairways and entryways to make sure my furniture can be placed in the appropriate room.

customer name: _____

Please sign below to acknowledge your understanding and agreement.

customer signature: _____

order no.: _____ date: _____

design consultants: please email this form to specialorder@arhaus.com

ARHAUS®

your home

personalization form

* If you wish, the artisans can specially customize your Bell'Arte piece by hand-painting your name (up to three words) on the underside for no additional cost.

personalized description

*The personalization can include up to 3 words. No symbols or characters. This should be hand written in all caps.

Print Name:

Signature of Applicant:

Date:



1. Unpack the table base and fix the stretcher to the two pedestal as shown in the above pictures.

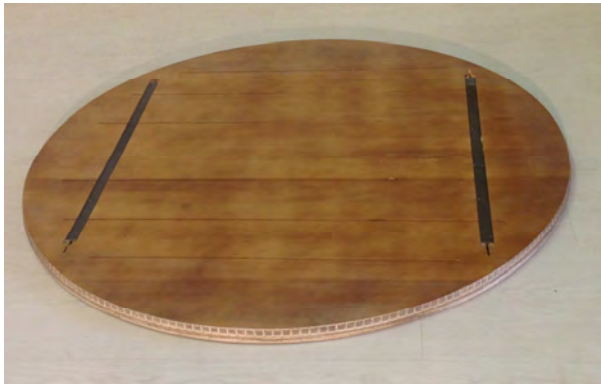


- 2.** Open the table top box on the reverse side, keep the table top facing down inside original packing and lay it on the floor.
- 3.** In a plastic bag fixed to the pedestal you will find the assembling hardware: 8 metal washers and screws.
- 4.** Insert screws in washers and tight them with a screwdriver.
- 5.** Turn the table to normal position.



ASSEMBLING INSTRUCTIONS FOR FLORENCE TABLE

1. Open the table top box on the reverse side- keep the table top facing down inside original packing and lay it on the floor
2. Unpack the table base and put it next to the top: both top and base are marked with an "A". Set the base on the table top matching the two "A".
3. Place the base exactly in the perimeter of template you will find on the back of the table top.
4. In a plastic bag fixed to the pedestal you will find the assembling hardware: 16 metal washers and screws



1.



2.

5. Insert screws in washers and tight them with a screwdriver.
6. Turn the table to normal position.
7. Should the table be unlevelled on the floor, adjust the 4 levellers under base by loosing or tightening them by hand as needed



3.



4.

ARHAUS®

your home

gage



Dining Chair

20" w x 22.5" d x 31" h;
seat height: 17.75" h

Carbon	30GAGECARBON
Raven	30GAGERAVEN
Pine	30GAGEPINE
Tanner	30GAGETANNER
Hydro	30GAGEHYDRO
Flint	30GAGEFLINT



Barstool

20" w x 20" d x 40.5" h;
seat height: 30" h

Carbon	30GAGECARBS
Raven	30GAGERAVBS
Pine	30GAGEPINBS
Tanner	30GAGETANBS
Hydro	30GAGEHYDBS
Flint	30GAGEFLNTBS

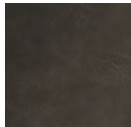


Counter Stool

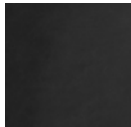
20" w x 20" d x 36.5" h;
seat height: 24" h

Carbon	30GAGECARCS
Raven	30GAGERAVCS
Pine	30GAGEPINCS
Tanner	30GAGETANCS
Hydro	30GAGEHYDCS
Flint	30GAGEFLNTCS

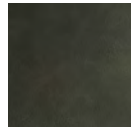
Fabrics:



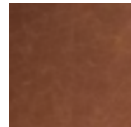
Carbon



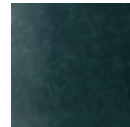
Raven



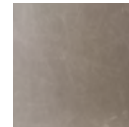
Pine



Tanner



Hydro



Flint

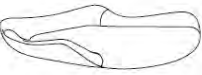
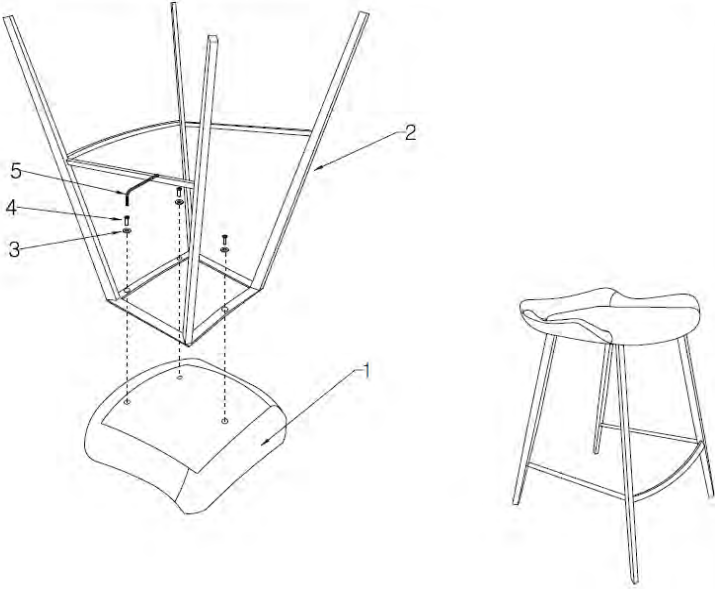



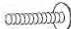

an American icon

Contemporarily classic and undeniably chic, our Gage Dining Chair Collection features iconic scoop-seat silhouettes accented by baseball-style stitching for an added element of Americana. Upholstered in faux leather, scoop seats are complemented by iron frames featuring uniquely textured powder-coated finishes designed to hold up to everyday wear.

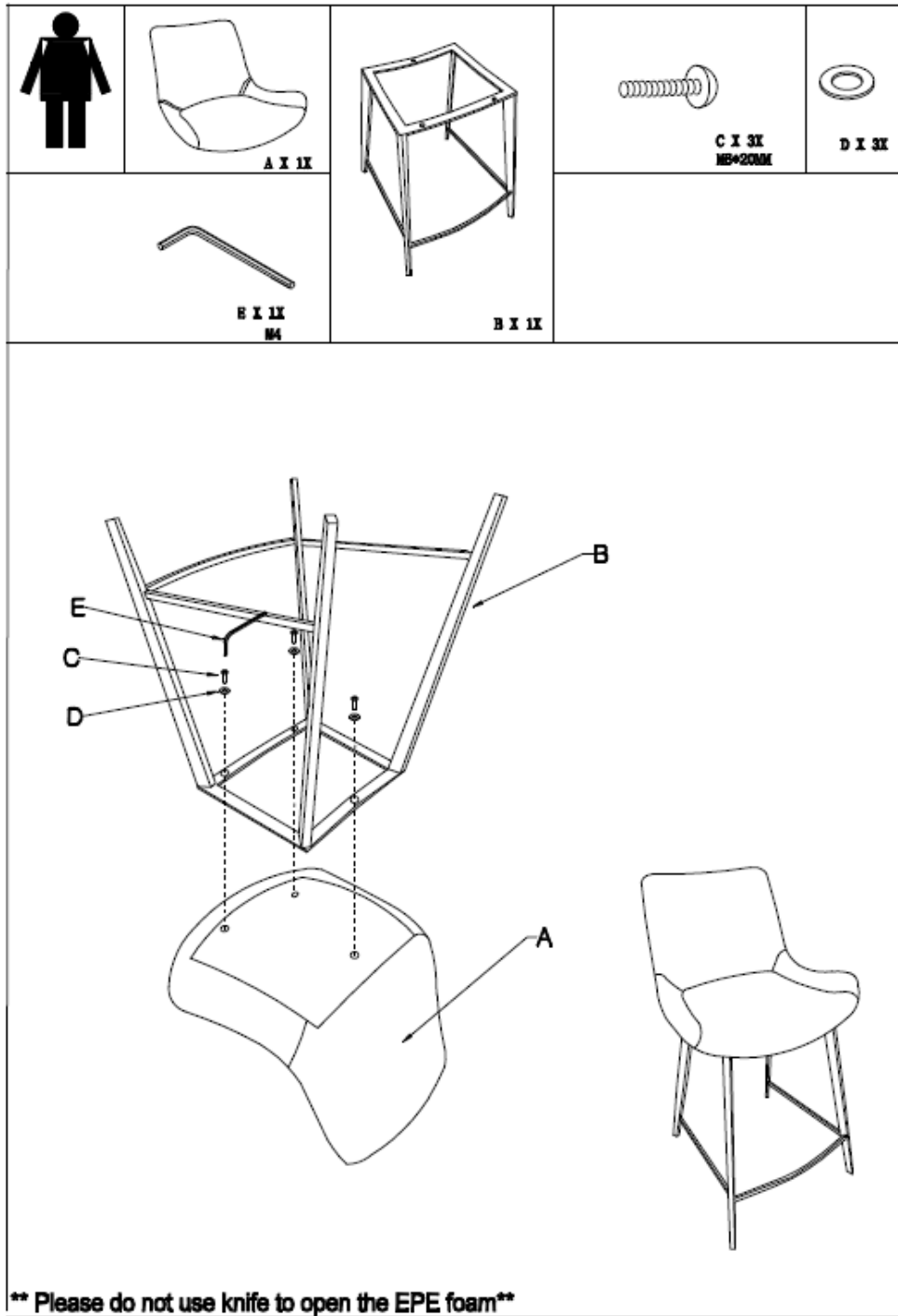
product details

- ▶ Upholstered in beautiful shades of faux leather accented by baseball stitching.
- ▶ Iron frames and legs are powder coated for a durable, uniquely textured finish.
- ▶ Keep your furniture looking its best. Visit arhaus.com or speak to any Arhaus Design Consultant for care recommendations.

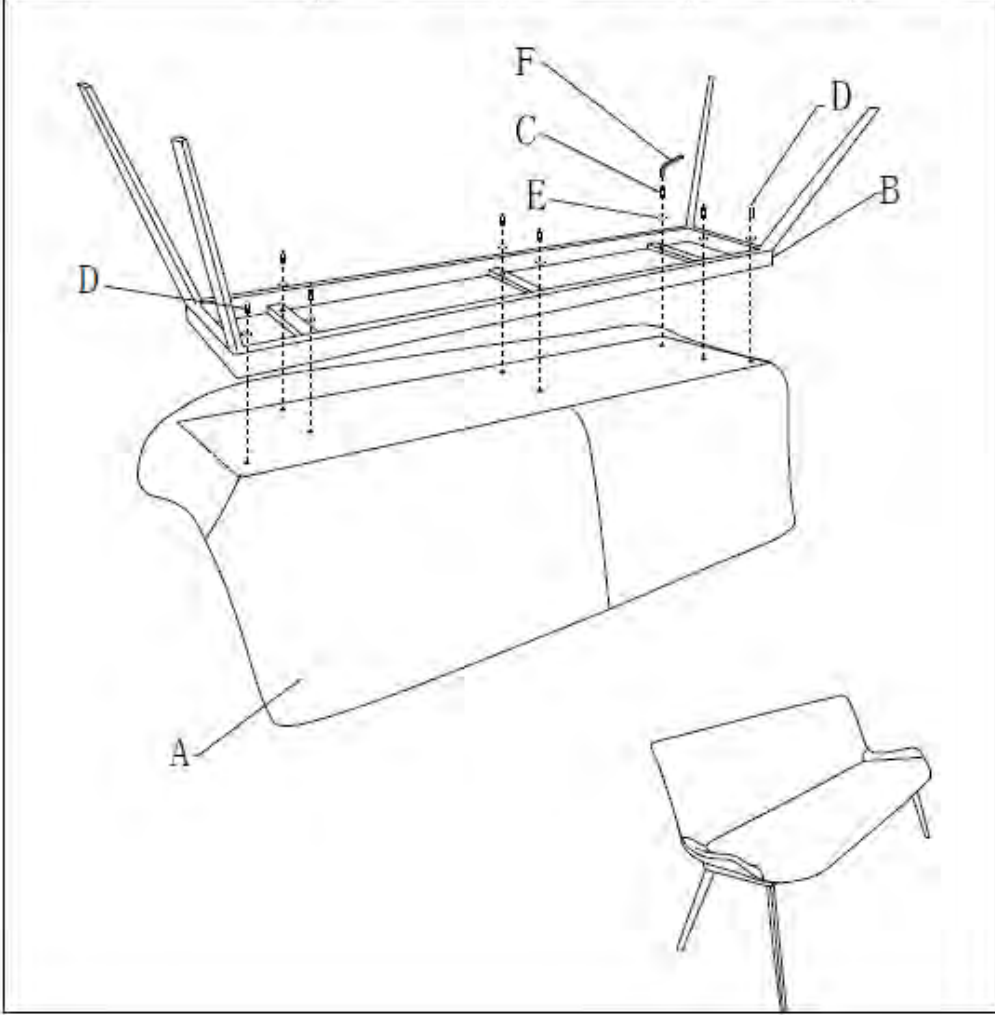
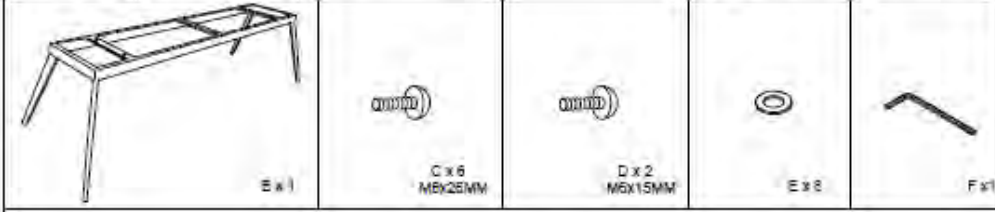
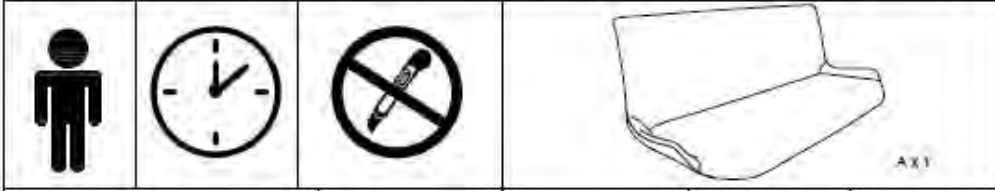


Accessories		Model No:EC20005-B Assembly Instruction	
1	 1PC		
2	 1PC		
3	 3PCS		
4	 3PCS M6*20		
5	 1PC		




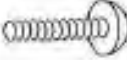


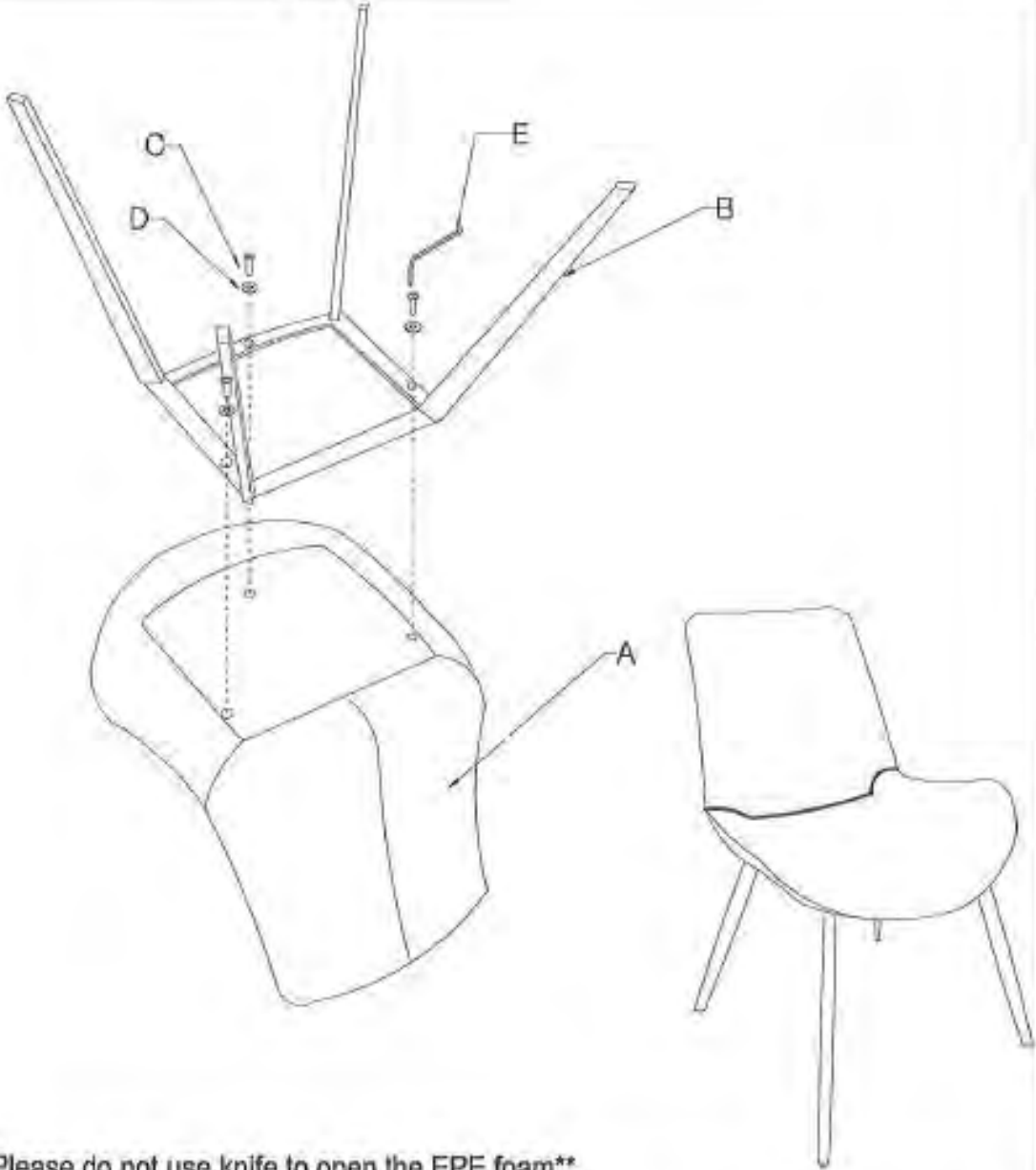
GAGE BAR AND COUNTER STOOL ASSEMBLY INSTRUCTIONS



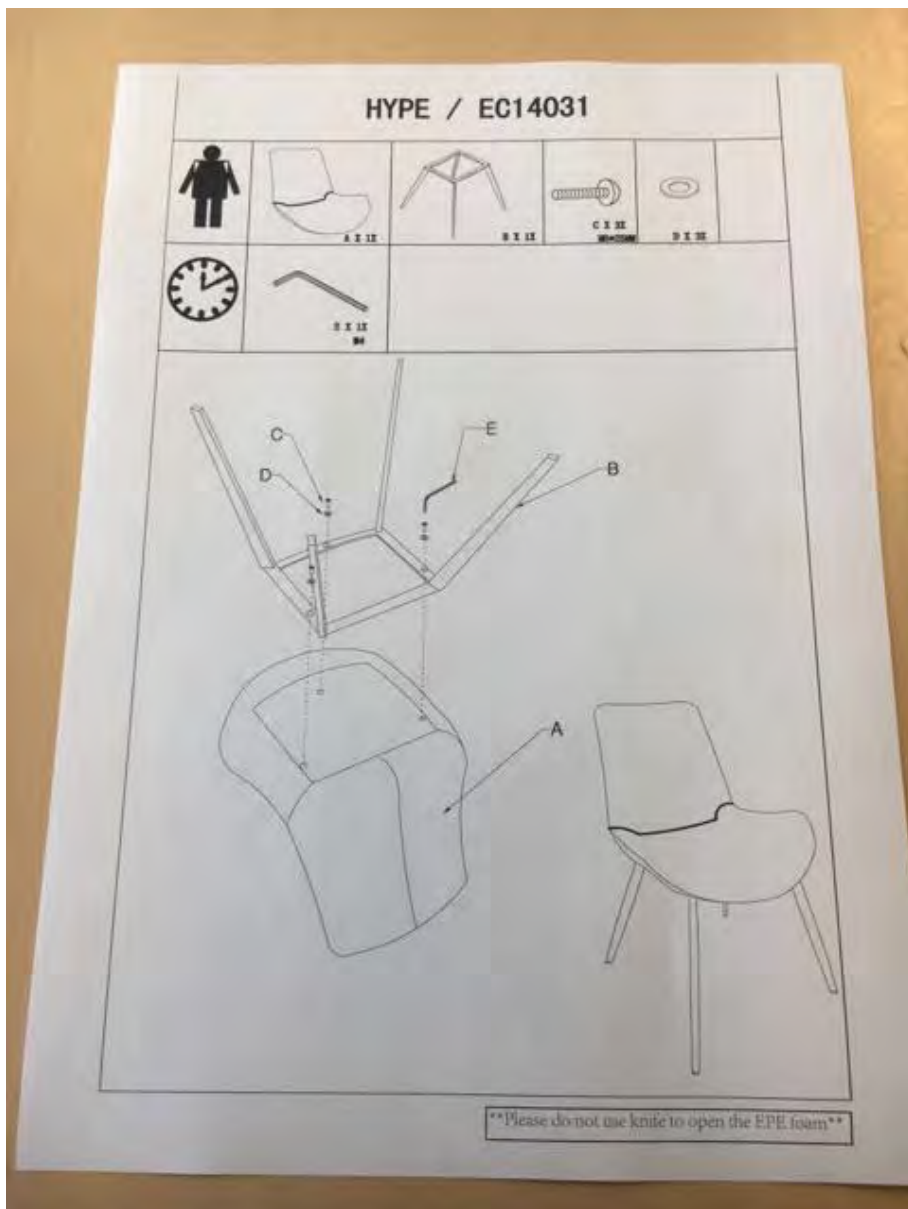
HARDWARE KIT: 30GAGEHDW

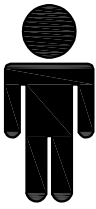


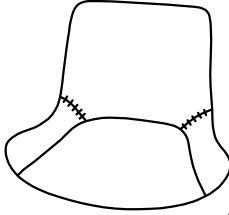
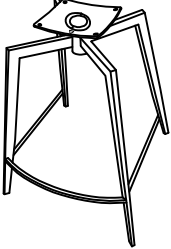
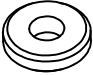






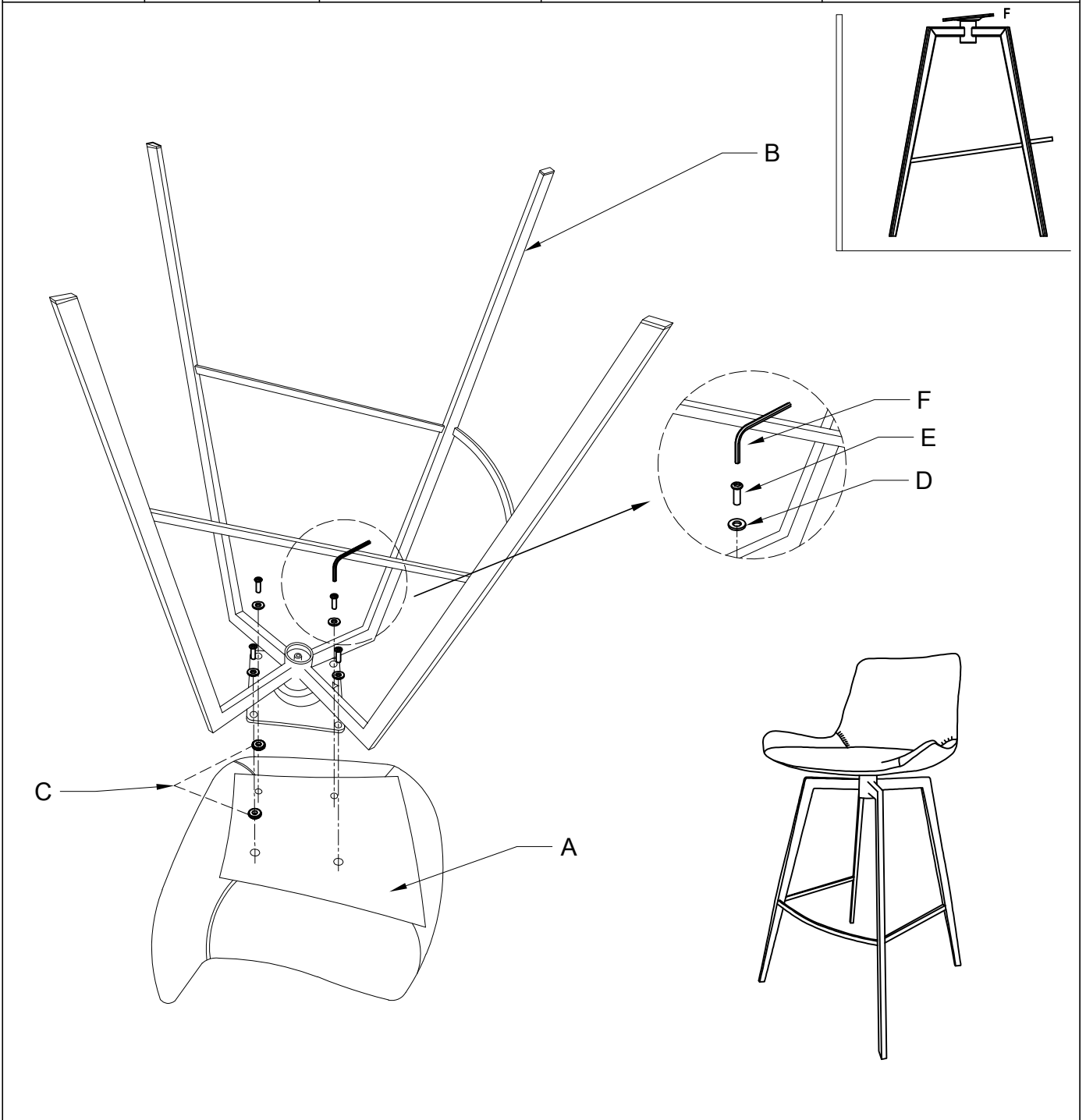
GAGE CHAIR ASSEMBLY INSTRUCTIONS

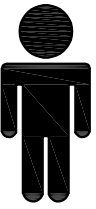


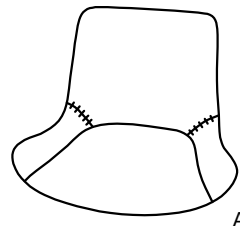
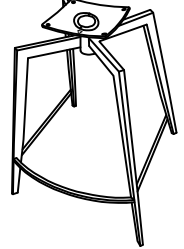
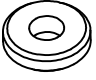




	 A X 1X	 B X 1X	 C X 3X M6*25MM	 D X 3X
 E X 1X M4	HARDWARE KIT: 30GAGEHDW			
 <p>** Please do not use knife to open the EPE foam**</p>				

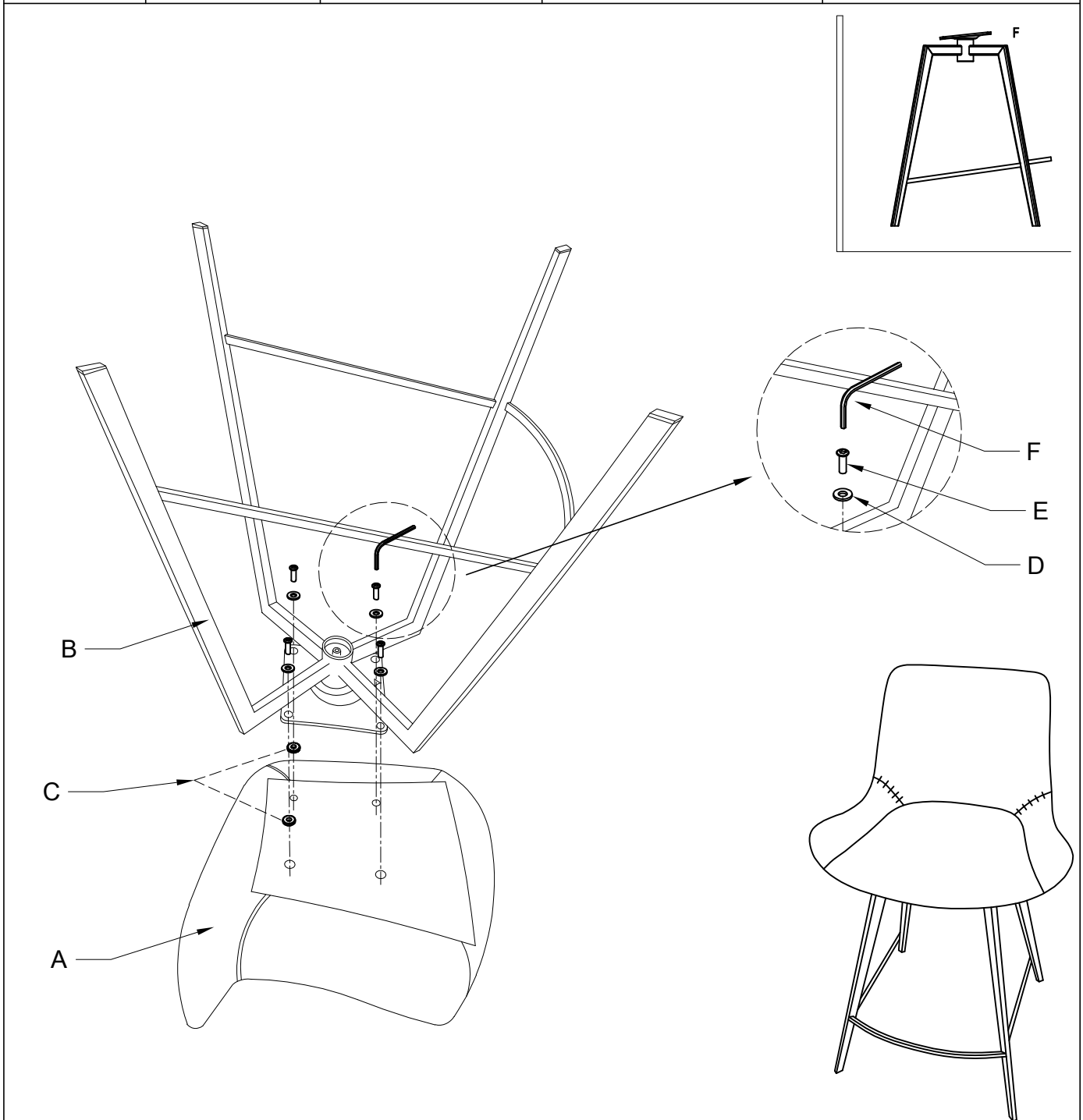
HARDWARE KIT: 30GAGEHDW



			 A x 1	 B x 1
 C x 2 Ø20x5MM	 D x 4	 E x 4 M6x20MM	 F x 1	 MAX 120KG



			 A x 1	 B x 1
 C x 2 Ø20x5MM	 D x 4	 E x 4 M6x20MM	 F x 1	 MAX 120KG



DINING PARTS SKUS

CATEGORY	SKU	DESCRIPTION	STATUS	COLLECTION	ROUTE
DINING	91GAGEBCFOOT	GAGE BAR/COUNTER STL FOOT CAP TAP IN - QTY 1	A	PT-GAGE	PART
DINING	91GAGEHDW	GAGE CHR ASSEMBLY HDW ALL COLORS	A	PT-GAGE	PART
DINING	91GAGEFOOTBK	GAGE CHR PLASTIC FOOT BACK 1 TAP IN - QTY 1	A	PT-GAGE	PART
DINING	91GAGFOOTFT	GAGE CHR PLASTIC FOOT FRONT 1 TAP IN - QTY 1	A	PT-GAGE	PART

ARHAUS®

your home

GATES

CAMDEN DINING COLLECTION

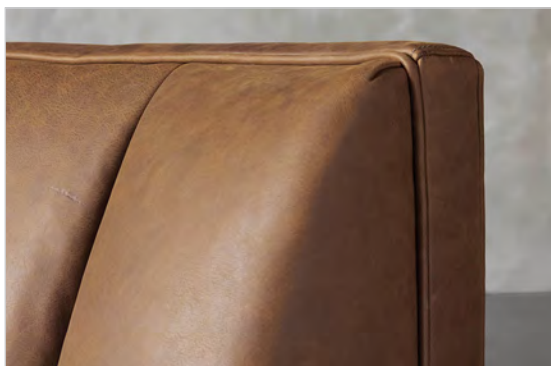
MADE IN AMERICA

shown in
Lukas Pecan



AMERICAN-MADE COMFORT

Crafted by the hands of upholstery artisans in the foothills of North Carolina, our Gates Dining Collection features plush upholstered seating that elevates any formal or casual dining space. Made from sustainably sourced American hardwoods, Gates frames are reinforced and designed to house recycled-steel spring suspension for evenly dispersed, firm yet flexible support. Cushions padded with eco-friendly foam, down, feathers, and poly-fiber create an incredibly relaxing, "sink-into" feel that will invite guests to stay for dinner.



NEED HELP?

Visit a store, call **866.427.4287**, or **live chat**
with our Design Team to learn more.

ARHAUS®

your home

GATES

CAMDEN DINING COLLECTION

MADE IN AMERICA

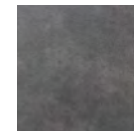
shown in
Lukas Pecan



PRODUCT DETAILS

- + Craftsman-built frames are constructed using solid, reinforced, laminate hardwood for lasting strength and superior stability.
- + Made in America—this collection was handcrafted by upholstery artisans in North Carolina.
- + Arhaus upholstery is made using wood certified by the Sustainable Forestry Initiative.
- + Frames feature a recycled-steel Flexolator suspension system beneath seats for evenly dispersed, firm yet flexible comfort.
- + Backrests are sustained by flexible, sinuous springs for resilient support and stability.
- + Upholstery is padded with dense, eco-friendly foam made partly from sustainable, plant-based material.
- + Seats are padded with sterilized down, feathers, and poly-fiber to create a relaxing, “sink-into” feel.
- + Padding is wrapped in cotton, down-proof casings to maintain its shape. Channel-stitching keeps padding in place for added resilience.
- + Our Norre recycled-leather fabrics are made with remains of top-quality leathers and finished to retain the original hides’ color and texture.
- + Keep your furniture looking its best. Visit arhaus.com or speak to any Arhaus Design Consultant for care recommendations.

FABRICS:

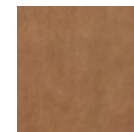


Norre
Steel



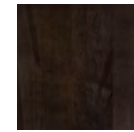
Turbo
Ash

LEATHER:



Lukas
Pecan

FINISH:



Fossil

CRAFT A CUSTOM LOOK

This collection is available in customizable **Fabrics, Leathers, Finishes, and more.**

Visit a store, call **866.427.4287**, or **live chat** with our Design Team to learn more.

ARHAUS®

your home

GATES

CAMDEN DINING COLLECTION

MADE IN AMERICA

shown in
Norre Steel



BANQUETTE

112" w x 73" d x 34" h ; seat 20" h

Norre Steel	30GATENRSTKT
Turbo Ash	30GATETBAHKT
Lukas Pecan	30GATELPCNKT

shown in
Turbo Ash



96" SETTEE*

96" w x 32" d x 34" h ; seat 20" h

Turbo Ash	X8GFSTD
Norre Steel	X8GFSTF

80" SETTEE

80" w x 32" d x 34" h ; seat 20" h

Norre Steel	30GATE80NRST
Turbo Ash	30GATE80TBASH
Lukas Pecan	30GATELPCSTT



41" SETTEE

41" w x 32" d x 34" h

Norre Steel	30GATE42NRST
Turbo Ash	30GATE42TBASH
Lukas Pecan	30GATELPCBNC2

58" SETTEE*

58" w x 32" d x 34" h ; seat 20" h

Turbo Ash	X8GFASS
Norre Steel	X8GFASF

*available by special order

ARHAUS®

your home

GATES

CAMDEN DINING COLLECTION

MADE IN AMERICA



CORNER

32" w x 32" d x 34" h ; seat 20" h

Norre Steel	30GATECRNRST
Turbo Ash	30GATECRNTBAH
Lukas Pecan	30GTELPCCRN2

IMAGE NOT
AVAILABLE

DINING CHAIR*

27" w x 32" d x 34" h ; seat 20" h

Turbo Ash	X8GFDS
Norre Steel	X8GFDSF

**available by special order*

ARHAUS®

your home

girardi



Round Dining Table

42" diameter x 31" h
48" diameter x 31" h
54" diameter x 31" h
60" diameter x 31" h
71" diameter x 31" h

30PAVIA42KT
30PAVIA48KT
30PAVIA54KT
30PAVIA60KT
30PAVIA71KT

Seats up to 3.
Seats up to 4.
Seats up to 6.
Seats up to 8.
Seats up to 10.



Rectangular Dining Table

78" w x 44" d x 31" h; extends to 118" w 30PAVIA78KT seats up to 10
86" w x 44" d x 31" h; extends to 126" w 30PAVIA86KT seats up to 12
94" w x 44" d x 31" h; extends to 134" w 30PAVIA94KT seats up to 14

*All Bell'Arte dining pieces are made to order.

your style your way

Craft a custom design that tells your style story.

This collection is available in special-order **finishes, and more.**

Ask in store or call **866.427.4287**

a true masterpiece

Centuries-old woodworking techniques are used to craft every exquisite detail of our exclusive Bell'Arte collection. Handcrafted to order in a region of Italy renowned for its furniture-making, our dedicated artisans treat each unique piece like a work of art. Dining tables are built from solid poplar wood and masterfully finished by hand, combining layers of stain, paint, and lacquer—a process which takes over three days to complete per piece. Our Girardi dining tables are accented with an elegant geometric motif, hand-carved beaded moulding, and a light, layered, hand-distressed finish—which all coalesce in a versatile, timeless aesthetic.

product details

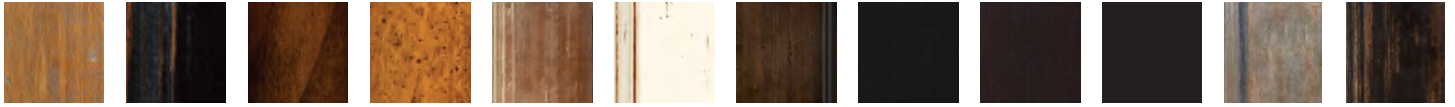
- ▶ As with the rest of our Arhaus-exclusive Bell'Arte Collection, these pieces are handcrafted in a region of Italy renowned for its furniture-making.
- ▶ Craftsman-built from poplar wood—a wood prized in the making of fine furniture.
- ▶ An elegantly hand-painted geometric motif is complemented by light hand-distressing—creating a versatile, timeless aesthetic.
- ▶ Italian artisans meticulously carve all details by hand, making each piece truly one-of-a-kind.
- ▶ After the finishing process, which takes three days to complete, the artisans sign "Hand-painted in Italy" in Italian and date their work.
- ▶ This collection is artisan-crafted from natural materials with hand-applied finishes. Individual pieces may vary in color, pattern, shape, and texture, making each truly unique.
- ▶ Natural wood may display small splits, knots, joint lines, or other organic features that will not affect the quality or performance of your piece.
- ▶ Furniture made from natural wood may move slightly due to temperature and humidity. This is normal and should be expected from season to season.
- ▶ *If you wish, the artisans can specially customize your Bell'Arte piece by hand-painting your name (up to three words) on the underside for no additional cost*
- ▶ Keep your furniture looking its best. Visit arhaus.com or speak to any Arhaus Design Consultant for care recommendations.



ARHAUS®

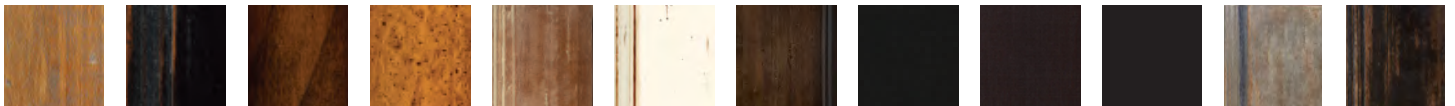
your home

Rectangular Dining Table | 78" w x 44" d x 31.5" h, extends to 118" w | 86" w x 44" d x 31.5" h, extends to 126" w | 95" w x 44" d x 31.5" h, extends to 134" w



Antique Camel
 Rubbed Black
 Cantina Bassano
 Old English Walnut
 Verona
 Rubbed Ivory
 Noceto
 Solid Black
 Espresso
 Marrone Coreccia
 *Fontaine Blue
 *Worn Black
(Image not available)

Round Dining Table | 42" diameter x 31" h | 48" diameter x 31" h | 54" diameter x 31" h | 60" diameter x 31" h | 71" diameter x 31" h



Antique Camel
 Rubbed Black
 Cantina Bassano
 Old English Walnut
 Verona
 Rubbed Ivory
 Noceto
 Solid Black
 Espresso
 Marrone Coreccia
 *Fontaine Blue
 *Worn Black
(Image not available)

before we can place your order, we need to make sure that you agree with the following statements.

please initial each box below to indicate your agreement.

◀ I have selected the above specifications for my order. Images are shown to indicate general color tones but should not be used for color matching.

◀ I understand that if I cancel this order at any time I forfeit my delivery fee and 50% of the item purchase price.

◀ I understand that my selections are special order and will take up to 16 weeks for production. Please allow additional time for delivery.

◀ I've measured my doorways, stairways and entryways to make sure my furniture can be placed in the appropriate room.

customer name: _____

Please sign below to acknowledge your understanding and agreement.

customer signature: _____

order no.: _____ date: _____

design consultants: please email this form to specialorder@arhaus.com

ARHAUS®

your home

personalization form

* If you wish, the artisans can specially customize your Bell'Arte piece by hand-painting your name (up to three words) on the underside for no additional cost.

personalized description

*The personalization can include up to 3 words. No symbols or characters. This should be hand written in all caps.

Print Name:

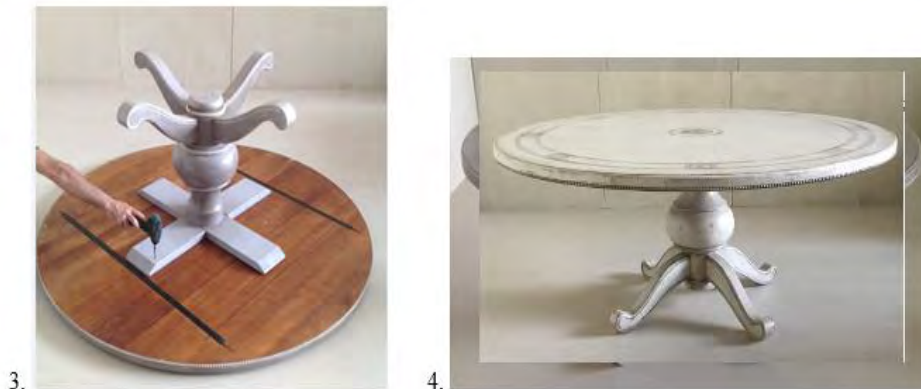
Signature of Applicant:

Date:

Open the table top box on the reverse side- keep the table top facing down inside original packing and lay it on the floor
Unpack the table base and put it next to the top
Place the base exactly in the perimeter of template you will find on the back of the table top.
In a plastic bag fixed to the pedestal you will find the assembling hardware: metal washers and screws
Insert screws in washers and tight them with a screwdriver.
Turn the table to normal position.



1. Open the table top box on the reverse side- keep the table top facing down inside original packing and lay it on the floor
2. Unpack the table base and put it next to the top: both top and base are marked with an "A". Set the base on the table top matching the two "A".
3. Place the base exactly in the perimeter of template you will find on the back of the table top.
4. In a plastic bag fixed to the pedestal you will find the assembling hardware: metal washers and screws
5. Insert screws in washers and tight them with a screwdriver.
6. Turn the table to normal position.
7. Should the table be unlevelled on the floor, adjust the 4 levellers under base by loosening or tightening them by hand as needed



ARHAUS®

your home

giulietta



Rectangle Dining Table

78" w x 44" d x 30.5" h, extends to 118" w
30GIULI78KT Seats up to 10

86" w x 44" d x 30.5" h, extends to 126" w
30GIULI86KT Seats up to 12

94" w x 44" d x 30.5" h, extends to 134" w
30GIULI94KT Seats up to 14

Includes two 20" wide extensions



Round Dining Table

42" diameter x 30" h
30GIULI42RKT Seats up to 2

48" diameter x 30" h
30GIULI48RKT Seats up to 4

54" diameter x 30" h
30GIULI54RKT Seats up to 6

60" diameter x 30" h
30GIULI60RKT Seats up to 8

71" diameter x 30" h
30GIULI71KT Seats up to 10



Hutch & Buffet

61" w x 21.25" d x 91" h
30GIULIHB61



Hutch

61" w x 16.14" d x 52" h
PG4H61S



Buffet

61.5" w x 21.25" d x 39" h
PG4U61S

*All Bell'Arte dining pieces are made to order.

from Italy with love

An elevated addition to our stunning Bell'Arte Dining Collection with the same artisan craftsmanship, our antique-inspired Giulietta Collection features a more geometric design. Distressed, grey, antique finishes are accompanied by hand-carved, beaded trim and hand-painted detailing, which resembles scrolling ropes rather than traditional floral motifs. Each detail is accentuated with white highlights and darker tones that emphasize every element's unique appearance. Solid poplar dining-table tops are paired with unique, complementary pedestal-style bases, which offer an elegant alternative to typical trestle designs. And, solid tulip hutches and buffets provide ample storage and display space.

product details

- ▶ As with the rest of our Arhaus-exclusive Bell'Arte Collection, these pieces are handcrafted in a region of Italy renowned for its furniture-making.
- ▶ Dining Tables are craftsman-built from solid poplar wood, while the Hutch and Buffet are built from solid tulip wood, both prized in the making of fine furniture.
- ▶ Antique Tempesta Grigio finishes are hand-painted with elegant detailing. Layered paint, and stain are slightly aged and lacquered, resulting in a timeworn appearance.
- ▶ Italian artisans meticulously carve all details by hand, making each piece truly one-of-a-kind.
- ▶ After the finishing process, which takes three days to complete, the artisans sign "Hand-painted in Italy" in Italian and date their work.
- ▶ Rectangular Dining Tables include two 20" extensions to accommodate additional seating.
- ▶ If you wish, the artisans can specially customize your Bell'Arte piece by hand-painting your name (up to three words) on the underside for no additional cost. Visit your local store or call to order.



ARHAUS®

your home

personalization form

* If you wish, the artisans can specially customize your Bell'Arte piece by hand-painting your name (up to three words) on the underside for no additional cost.

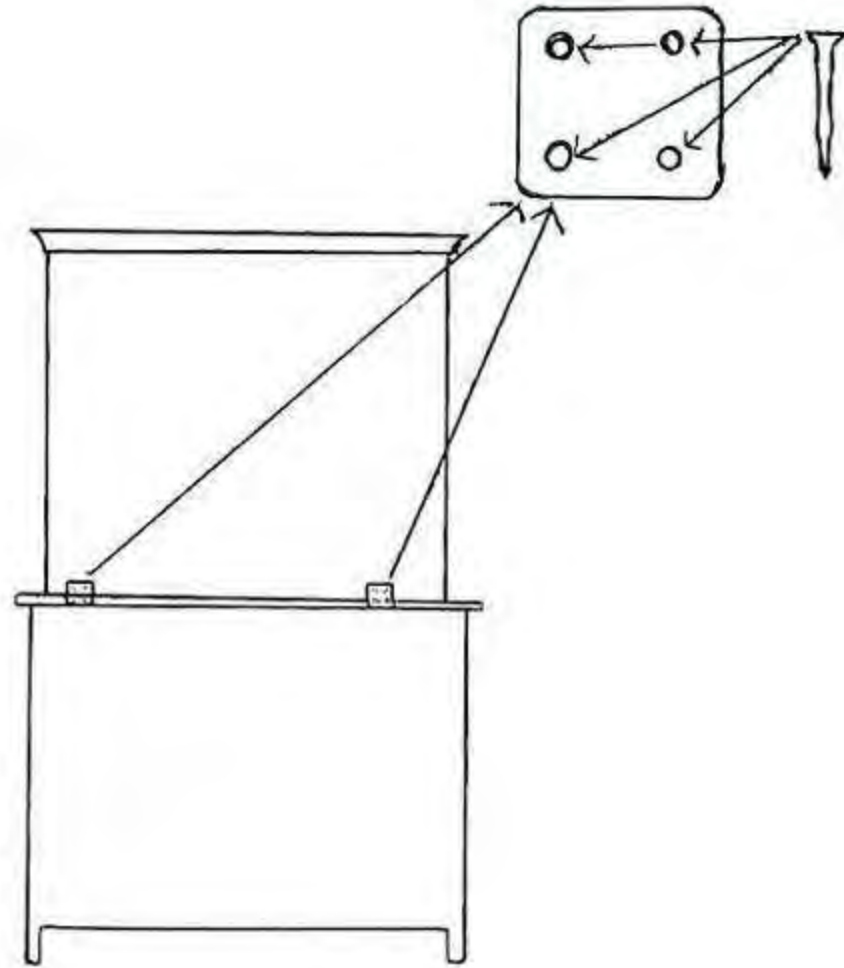
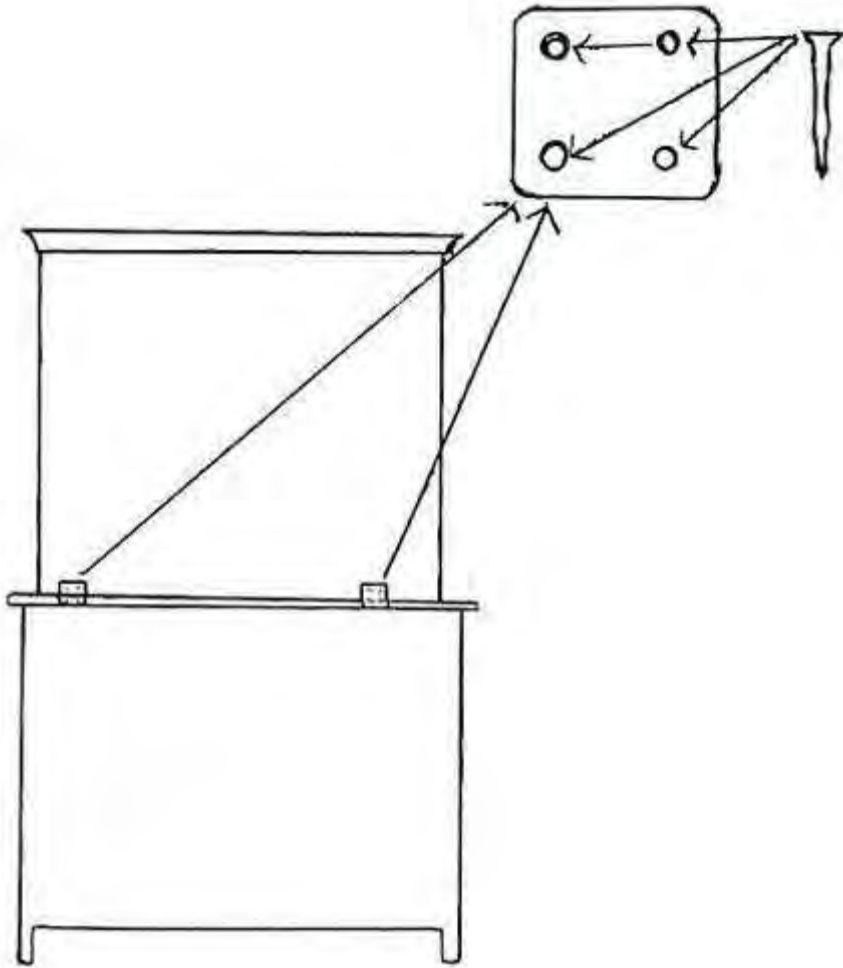
personalized description

*The personalization can include up to 3 words. No symbols or characters. This should be hand written in all caps.

Print Name:

Signature of Applicant:

Date:



ASSEMBLING INSTRUCTIONS FOR GIULIETTA RECTANGULAR

Open the table top box on the reverse side- keep the table top facing down inside original packing and lay it on the floor

Unpack the table base and put it next to the top

Place the base exactly in the perimeter of template you will find on the back of the table top.

In a plastic bag fixed to the pedestal you will find the assembling hardware: metal washers and screws

Insert screws in washers and tight them with a screwdriver.

Turn the table to normal position.



ASSEMBLING INSTRUCTIONS FOR GIULIETTA TABLE

1. Open the table top box on the reverse side- keep the table top facing down inside original packing and lay it on the floor
2. Unpack the table base and put it next to the top: both top and base are marked with an "A". Set the base on the table top matching the two "A".
3. Place the base exactly in the perimeter of template you will find on the back of the table top.
4. In a plastic bag fixed to the pedestal you will find the assembling hardware: metal washers and screws



1.



2.

5. Insert screws in washers and tight them with a screwdriver.
6. Turn the table to normal position.
7. Should the table be unlevelled on the floor, adjust the 4 levellers under base by loosing or tightening them by hand as needed



3.



4.

ARHAUS®

your home

glenn



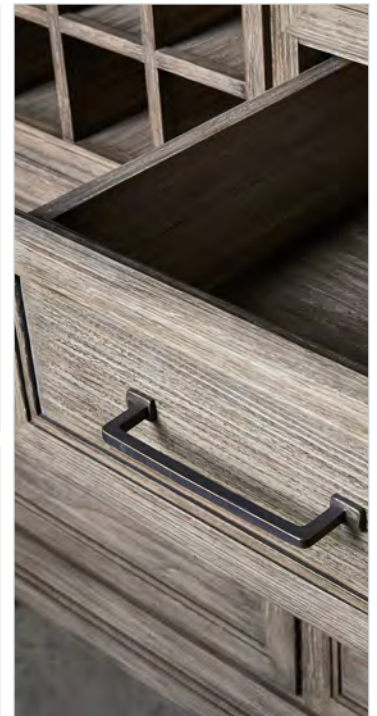
Wine Bar
69" w x 19" d x 40" h
30GLENNSTNBR

elevating dining spaces

with a sophisticated aesthetic and convenient organization, our Glenn wine bar is handcrafted by Indonesian artisans from solid white ash wood and ash veneers. Subtly rustic finishes are applied by hand—layered with stain, seal, glaze, and tone to achieve a chic, distressed appearance. And, generous storage—including removable wine racks for 24 bottles of your favorite vintage—provides room for place settings, serveware, glassware, and other dining necessities.

product details

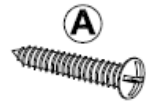
- ▶ Handcrafted by Indonesian artisans from solid white ash wood and ash veneers reinforced by mortise-and-tenon joinery for added stability.
- ▶ Multilayered Stone on Ash finishes are expertly applied by hand, layering stain, seal, glaze, and tone to achieve a rustic, distressed appearance.
- ▶ Finished surfaces are coated with lacquer for added protection and subtle sheen.
- ▶ Wine storage for 24 bottles is removable, allowing the buffet to accommodate any dining or serving accoutrements.
- ▶ Keep your furniture looking its best. Visit arhaus.com or speak to any Arhaus Design Consultant for care recommendations.



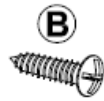
FURNITURE TIPPING RESTRAINT

Safety Mounting Assembly

HARDWARE



long screw (1 pc)



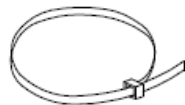
short screw (1 pc)



wall fitting (2 pcs)



plastic anchor (1 pc)



E

wall strap (1 pc)

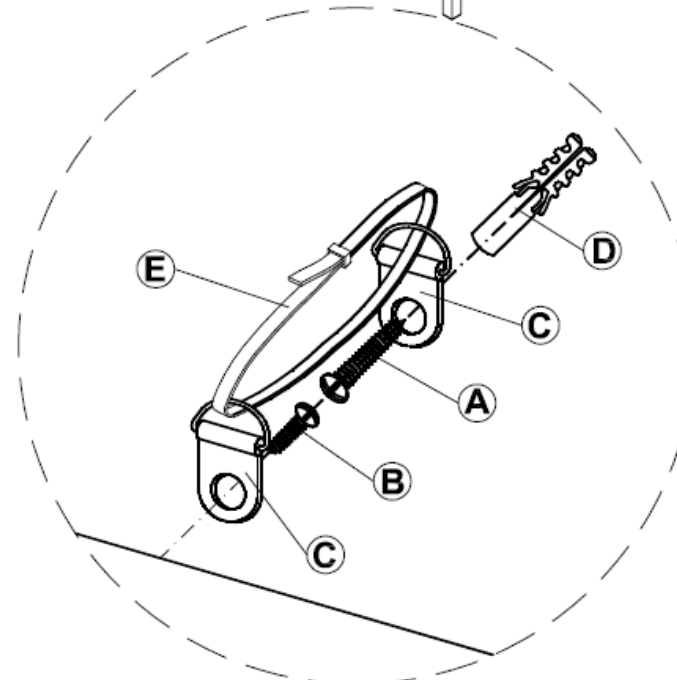
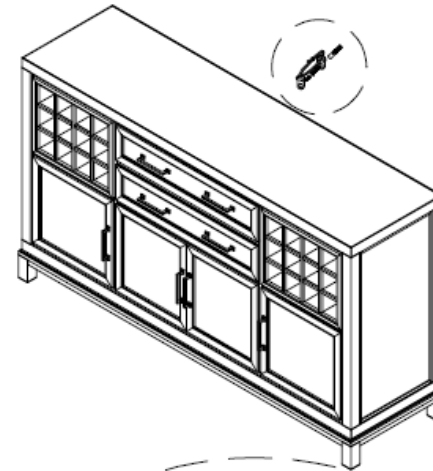
⊕ Screw Driver (not included)

Drill and 1/4" drill bit (not included)

Installation Instructions:

For added safety and stability, it is recommended that the wall mounting hardware be installed. For safe mounting, it is essential to use wall anchors appropriate to your wall type (i.e. Plaster, drywall, concrete, etc.). Mount to wood studs whenever possible.

- Attach **1 pc of wall fitting** to furniture as shown, using **small screw**.
- Determine the final position for the furniture. Mark position on the wall approximately 2" below the bracket mounted to the back of the unit.
- Drill a hole in the wall stud. If the wall stud is not available, drill a hole in the wall that is slightly smaller in diameter than the anchor. Gently tap the **plastic anchor** until the flange of the anchor is flush with the wall.
- Attach the **wall fitting** to the wall by inserting **large screw** through the wall fitting and into the **plastic anchor** in the wall.
- Place the unit so the wall fitting on the back edge is aligned with the wall fitting on the wall.
- Lace one end of the **wall strap** through both fittings, and into the other end of the strap.
- Pull the strap tightly until secure.



Any damage incurred to the furniture or the wall as a result of improper installation of this restraint will be the responsibility of the owner.

PARTS INVENTORY

Super Category	Product ID	Description	Stat	Collection	Route
DINING	91GLENBRSPIN	GLENN WINE BAR SHELF PIN 12 PCS	A	PT-GLENN	PART

ARHAUS®

your home

grammercy



Side Chair

22" w x 28.5" d x 36" h

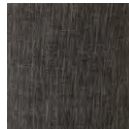
Hudson Light Grey 30GRAMGRY

Hudson Iron 30GRAMIRN

Fabrics:



Hudson Light Grey



Hudson Iron

Finish:



Black Drifted

retro-contemporary dining

Taking almost three years to perfect, our retro-inspired Grammercy Dining Chairs draw their dramatic shape from classic, mid-century designs. Originally discovered in the style capital of Los Angeles and refined by our designers, these chic side chairs feature curvy scoop seats and sleek backs upholstered in designer-inspired fabrics. Frames are meticulously crafted from solid oak, selected for its strength and stability, and legs are painted in a deep black stain with a coat of lacquer for added protection and a subtle sheen. Hand-tufted detailing completes each piece with fabric-covered buttons and matching stitches.

product details

- ▶ Solid oak wood legs are hand-stained and lacquered for added protection and subtle sheen.
- ▶ Handcrafted solid, kiln-dried oak frames are built using mortise-and-tenon joinery and reinforced with corner blocks for added stability.
- ▶ Frames feature a foam-padded, no-sag, sinuous support system beneath seat cushions for evenly dispersed, firm yet flexible comfort.
- ▶ Upholstered backs and seats feature hand-tufted detailing and matching stitches.

