

ARHAUS®

# DESK

PRODUCT HANDOUTS  

---

ASSEMBLY GUIDES

SEPTEMBER 2022

# INDEX

---

## A

Addy Handout 3  
Addy Chair Assembly 4  
Alderson Handout 5 - 6  
Alderson Small Desk Assembly 7 - 10  
Alderson Executive Desk Assembly 11 - 13  
Alderson Return Desk Assembly 14 - 15  
Alderson Parts 16  
Alex Handout 17  
Alex Chair Assembly 18  
Alex Parts 19  
Argent Handout 20  
Argent Executive Desk Assembly 21 - 23  
Argent Parts 24  
Athens Handout 25 - 26  
Athens Executive Desk Assembly 27 - 30  
Athens Writing Desk Assembly 31  
Athens Parts 32

## B

Bodhi Handout 33 - 36  
Bodhi Small Cabinet Assembly 37 - 38  
Bodhi Small File Assembly 39 - 41  
Bodhi Modular Desk Wall Shelf Assembly 42 - 47  
Bodhi Parts 48  
Brock Handout 49 - 50

## C

Cedrick Handout 51  
Cedrick Chair Assembly 52

## D

Divya Handout 53

## E

Euclid Handout 54 - 55

## F

Factory Handout 56 - 57  
Fallyn Handout 58 - 59  
Finnley Handout 60

## G

Gage Handout 61

## I

Industrial Crank Handout 62  
Industrial Crank Desk Assembly 63 - 67  
Industrial Crank Parts 68  
Isla Handout (DISC) 69 - 71

## J

Jagger Handout 72 - 73  
Jayna Handout 74  
Jayna Assembly 75 - 76

## K

Kroy Handout 77

## L

Lain Handout 78  
Leandro Handout 79 - 80  
Lynbrook Handout 81

## M

Malone Handout 82  
Martello Handout 83 - 84  
Martello Chair Assembly 85  
Martello Parts 86  
Mila Handout 87

## N

Nyles Handout 88 - 89

## P

Palmer Handout 90 - 92  
Palmer Executive Desk Assembly 93 - 94  
Palmer Return Desk Assembly 95  
Palmer Parts 96  
Pearson Handout 97

## S

Sobel Handout 98  
Sullivan Handout 99 - 102  
Sullivan Mending Plate Assembly 103  
Sullivan Parts 104

## T

Telegraph Handout 105 - 106  
Telegraph Corner Desk Assembly 107 - 108  
Telegraph Small Desk Assembly 109 - 112  
Telegraph Executive Desk Assembly 113 - 116  
[Telegraph Executive Desk Assembly Video](#)  
Telegraph Return Desk Assembly 117 - 118  
Telegraph Parts 119  
Tremont Handout 120 - 121  
Tremont Handle Assembly 122 - 124  
Tremont Executive Desk Assembly 125 - 126  
Tremont Small File Assembly 127  
Tremont Parts 128

*File Rod Adjustment 129*

*Universal Parts 130*

# ARHAUS®

your home

## addy



### Desk Chair

26.5" w x 31" d x 41.5"-43.5" h  
55ADDYTUFTCH

### Leather:



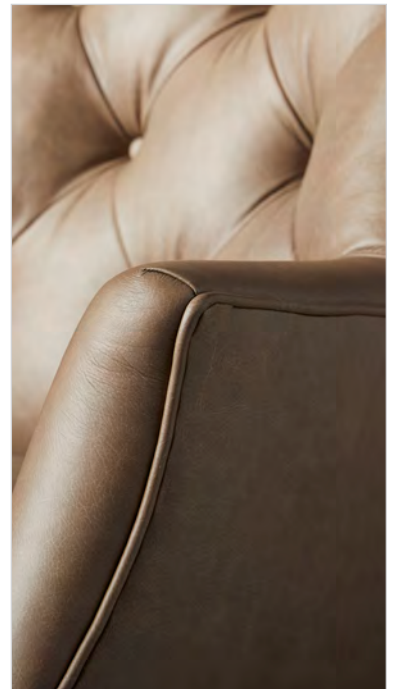
Dolimiti Rocky

## working in luxury

Our extravagant Addy Desk Chair is luxuriously designed to elevate your work space. Expertly upholstered, hand-finished leather is hand-sewn onto curved wing backs accentuated by hand-tufted detailing. Contoured back cushions create lumbar support with seats sustained by resilient heavy-duty webbing for reliable comfort. And, metal bases equipped with brass castors and pneumatic lift mechanism allow chairs to tilt and swivel into any desired position.

### product details

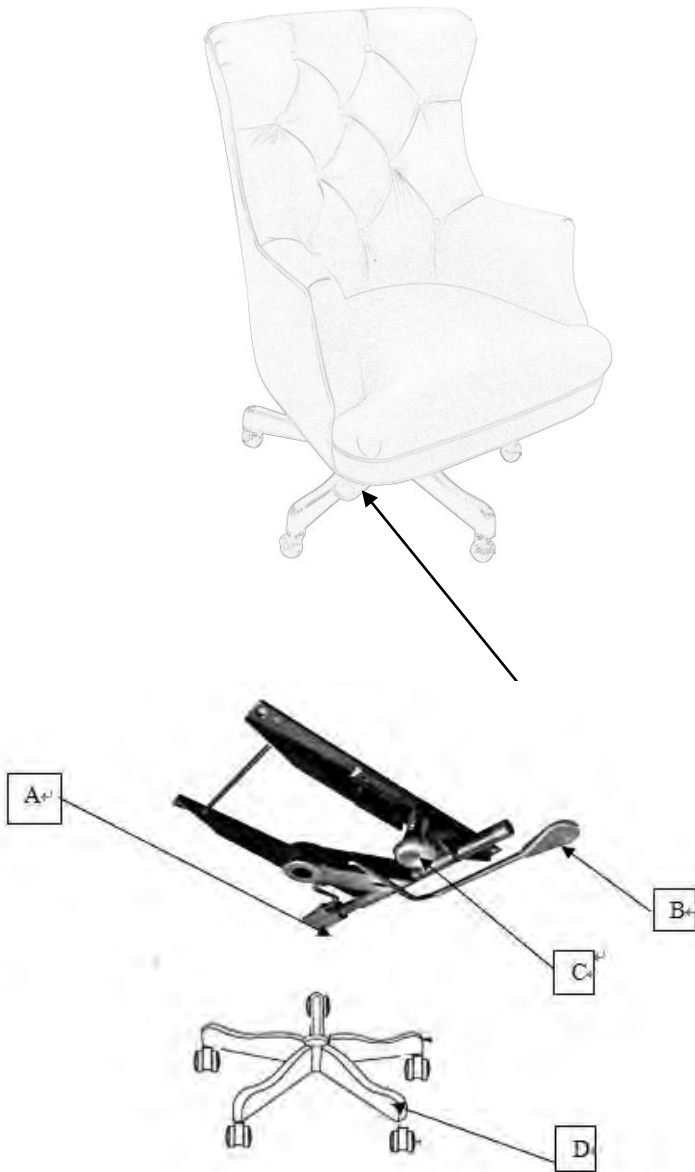
- ▶ Craftsman-built chair frames are contrasted from solid, reinforced hardwood for superior stability.
- ▶ Hand-tufted chair backs, arms, and base are trimmed with hand-applied nailheads to accentuate the chair's plush upholstery.
- ▶ Metal chair bases feature brass castors and pneumatic lift mechanisms, which allows chairs to tilt and swivel to any desired position.
- ▶ Cushions are sustained by a flexible network of durable rubber webbing for comfortable, evenly dispersed support.
- ▶ Seat-cushion cores consist of dense, eco-friendly foam made partly from plant-based material.
- ▶ Down, feather, and poly-fiber padding creates relaxing sink, and cotton, down-proof casings maintain cushion shape.
- ▶ Keep your furniture looking its best. Visit [arhaus.com](http://arhaus.com) or speak to any Arhaus Design Consultant for care recommendations.



**Carefully unpack all parts and identify them with parts list and assemble the chair following the Assembly Instructions.**

**Put the chair onto a flat floor then you can sit onto and adjust the reclining and the seat height**

1. Please sit down onto the chair and use the left handle (A) to adjust the reclining of the chair, and use the right handle (B) to adjust the height of it.
2. Pull the left handle (A) out and the chair is active to recline. Get a desired tilt and release the left handle to lock it. You can lock at several different tilt angles by reclining your body.
3. Turn the right handle (B) upward to activate the cylinder for adjusting the height of the chair. Raise your body up, the seat will be lifted up to a desired height by the cylinder. To get a lower height, please sit down with the right handle (B) turning upward. Release the right handle (B) to lock the cylinder when you achieve a desired seat height.
4. Turn the knob (C) clockwise to lessen the tension and counter clockwise to tighten the tension



### Parts As Shown

- A. Left handle
- B. Right handle
- C. Tilt tension knob
- D. Base set

# ARHAUS®

your home

## alderson



### Computer Cabinet

51" w x 21.75" d x 75" h (overall)

Interior: 45" w x 18.5" d x 22.75" h

Blackened Honey 55ALDCMP3

French White 55ALDWCMP

Stratus/Chatham Grey 55ALDSCMP

### computer cabinet

- ▶ Features a removable interior storage box.
- ▶ A drop-down work surface is covered in durable black leather.
- ▶ Three small compartments can be used vertically as shelves or horizontally as a monitor riser.
- ▶ Includes a removable two-drawer unit.
- ▶ Features a sliding shelf (top left).
- ▶ Bottom left compartment features a sliding printer shelf.
- ▶ Bottom right file adjusts to fit both legal and standard sizes.
- ▶ Bottom cabinet includes four closed storage cubes and one wood basket.

### Finishes:



Blackened  
Honey



French  
White



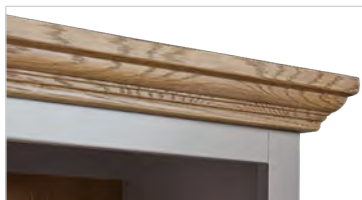
Stratus/  
Chatham Grey

## a workspace built for ideas

With our Alderson collection, you can transform your workspace into a creative retreat where inspiration takes root and ideas bloom. Featuring an abundance of storage and display space, Alderson inspires you to design and organize a fresh and fertile work environment that yields comfort and success for years to come.

### product details

- ▶ Frames finished in Blackened Honey and French White are built using a solid mahogany face construction.
- ▶ Frames finished in Stratus/Chatham Grey are built using solid white oak and white oak veneers.
- ▶ Tops of all pieces are made from solid white oak for added durability.
- ▶ Finishes are painted and distressed by hand.
- ▶ Surfaces are softly lacquered for protection and a subtle sheen.



# ARHAUS®

your home



## Bookcase

40" w x 16" d x 80" h

Blackened Honey 55ALDBK3  
French White 55ALDWBK  
Stratus/Chatham Grey 55ALDSBK

## bookcase

- ▶ Designed with an enclosed back, one fixed shelf, and three adjustable shelves.



## Executive Desk

70" w x 32" d x 30.375" h

Blackened Honey 55ALDEXDK4  
French White 55ALDWEXDK  
Stratus/Chatham Grey 55ALDSEXDK

## executive desk

- ▶ Features a central drawer with butterfly hinges, which extends on metal ball-bearing glides that can be used as a keyboard surface.
- ▶ Features a left cabinet with adjustable/removable shelving and a right cabinet with two smaller drawers above a larger file.
- ▶ File drawers adjust to accommodate both standard and legal sizes.
- ▶ Drawers are constructed with dovetailed joints.



## Lateral File

43" w x 19.5" d x 33.5" h

Blackened Honey 55ALDLATF3  
French White 55ALDWLATF  
Stratus/Chatham Grey 55ALDSLATF

## lateral file

- ▶ Features two drawers with adjustable metal rails.
- ▶ File drawer adjusts to accommodate both standard and legal sizes.
- ▶ Drawers are constructed with dovetailed joints.



## Hutch

70" w x 14" d x 38" h

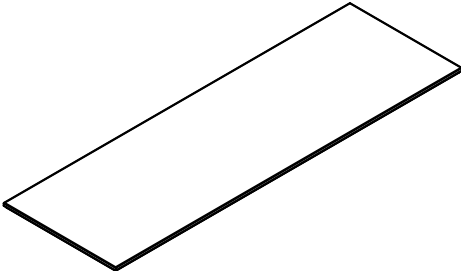
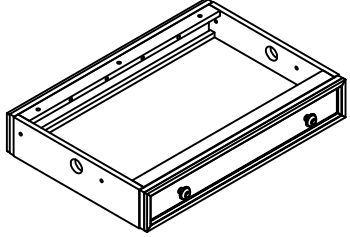
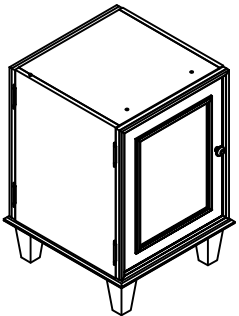
Blackened Honey 55ALDHTCH3  
French White 55ALDWHITCH  
Stratus/Chatham Grey 55ALDSHTCH

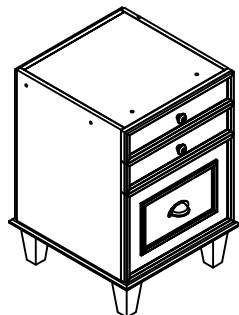
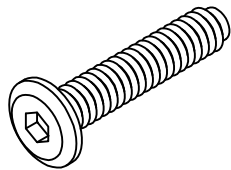
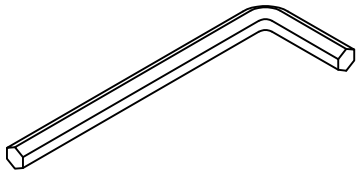
## hutch

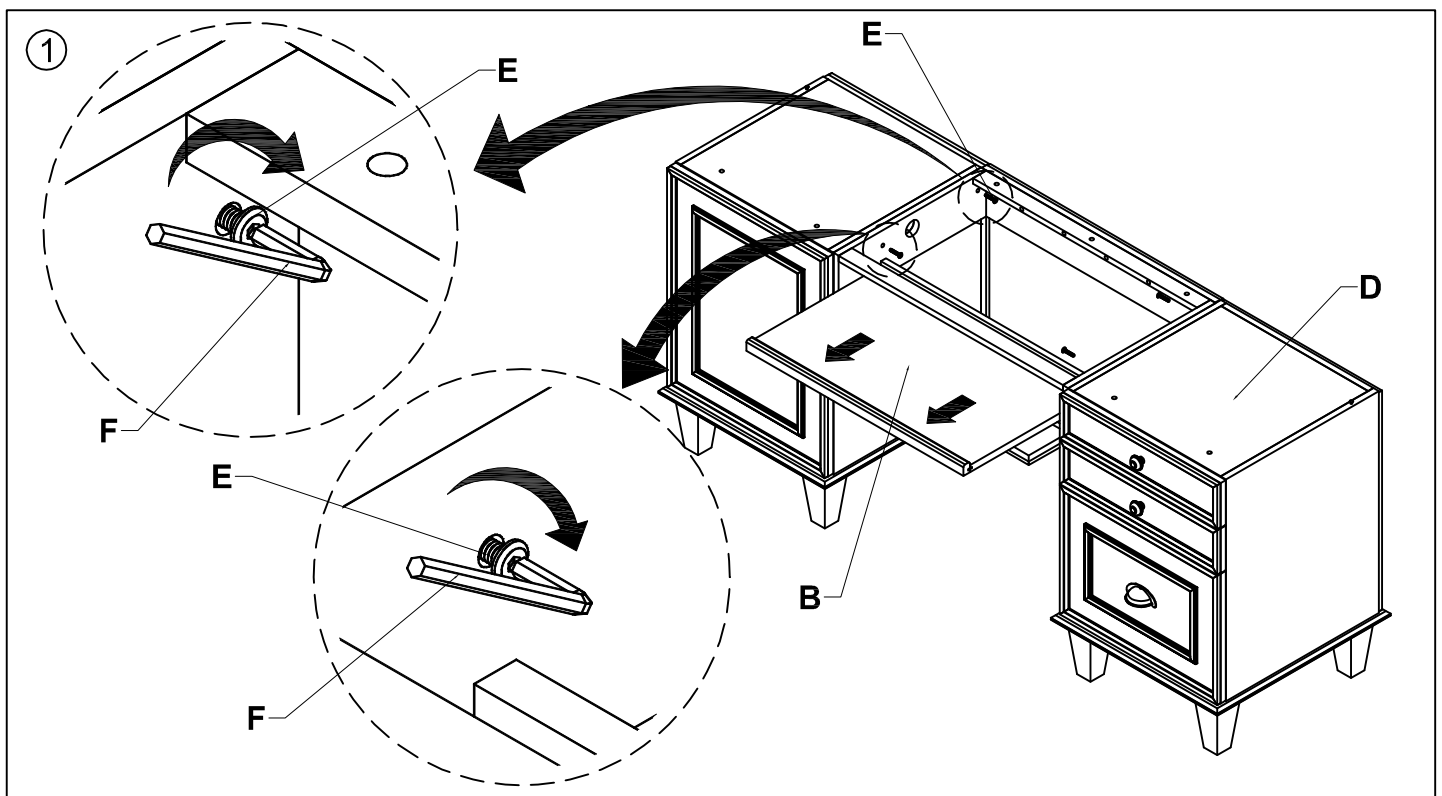
- ▶ Features two adjustable shelves on either side.

# ASSEMBLY INSTRUCTIONS

## ALDERSON - SMALL DESK

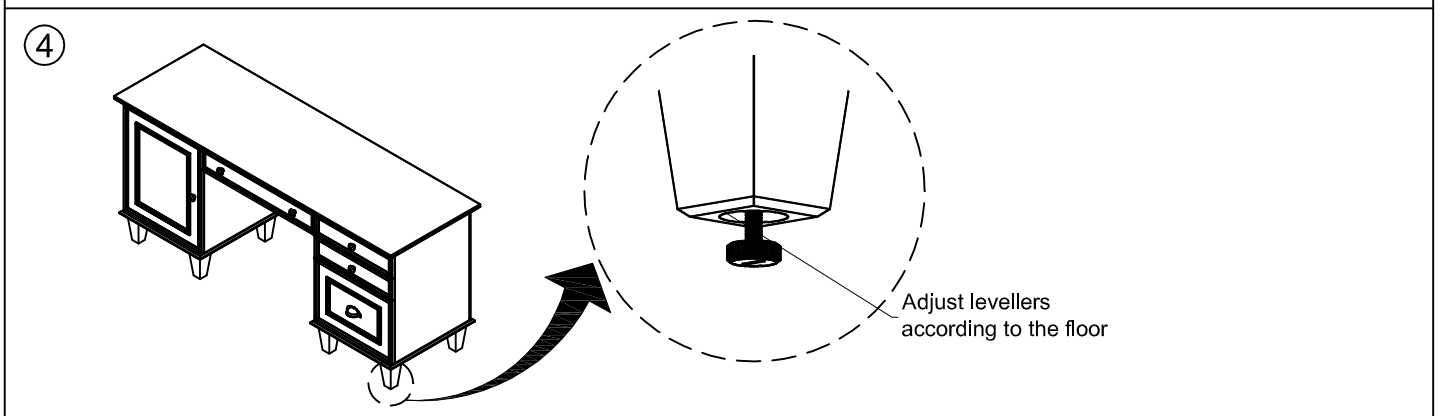
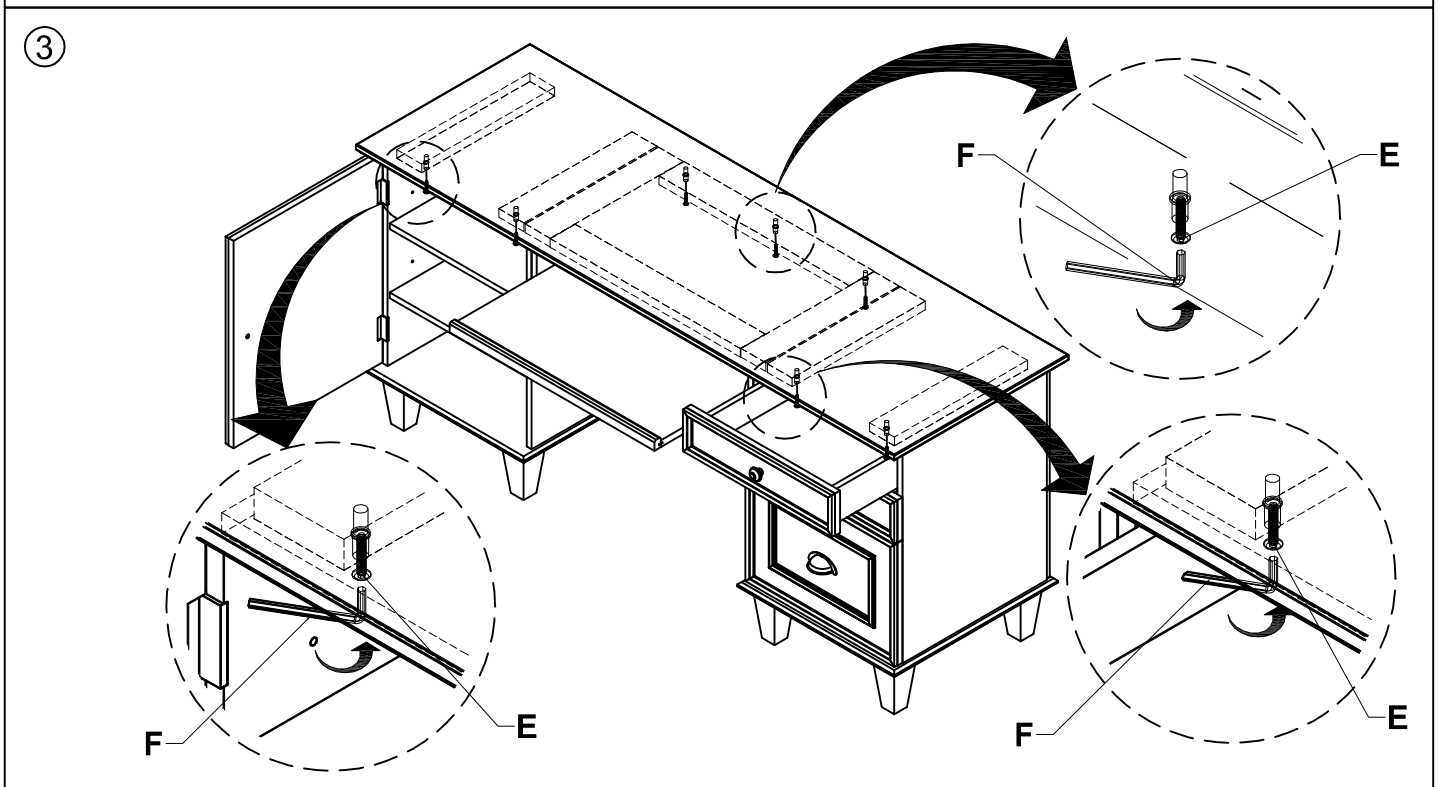
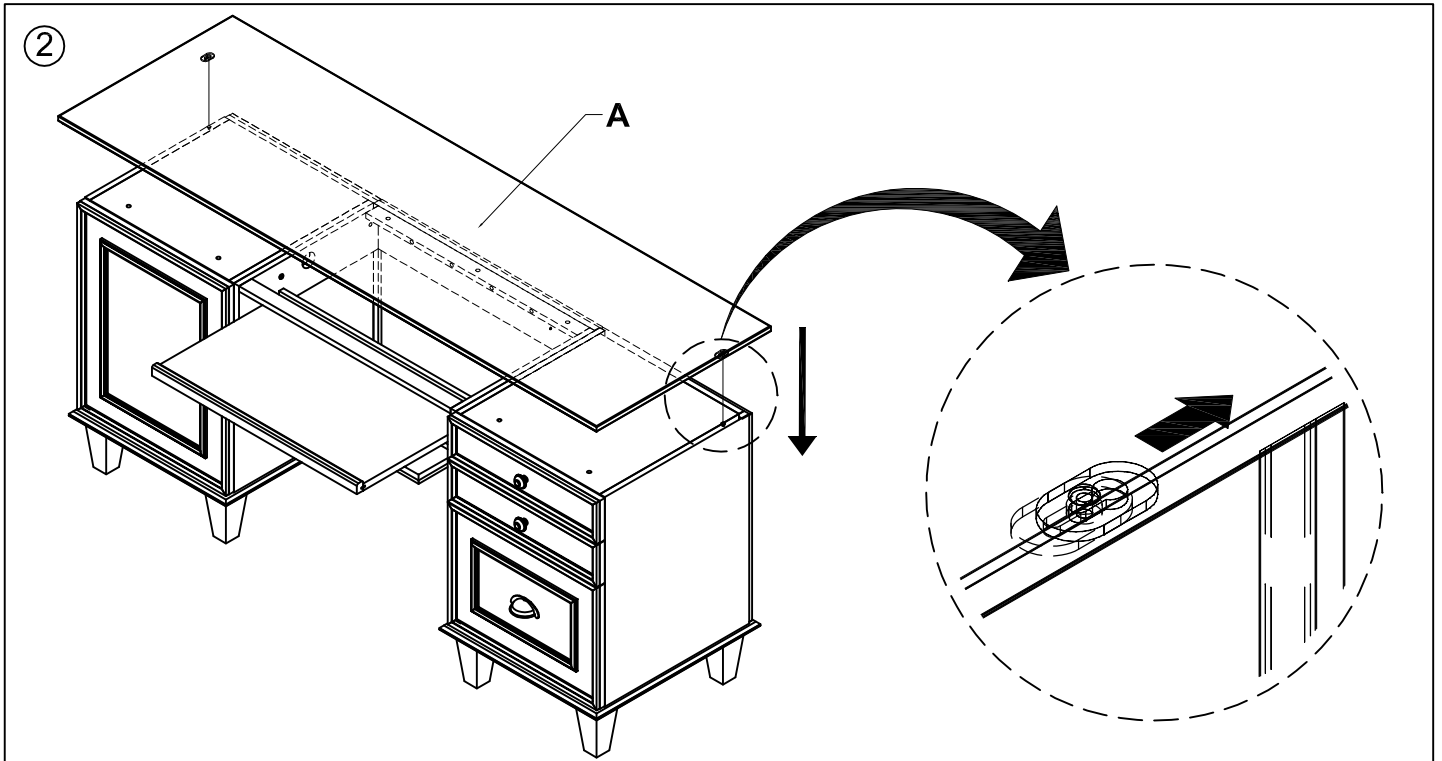
NO.	PARTS LIST	QTY
(A)		1 pc
(B)		1 pc
(C)		1 pc

NO.	PARTS LIST	QTY
(D)		1 pc
(E)		11 pcs
(F)		1 pc



# ASSEMBLY INSTRUCTIONS

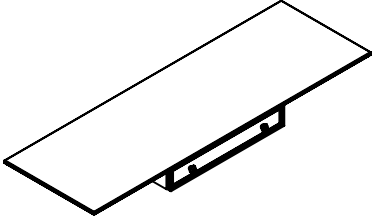
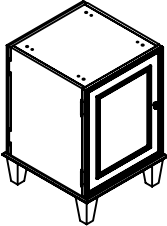
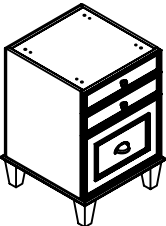
## ALDERSON - SMALL DESK

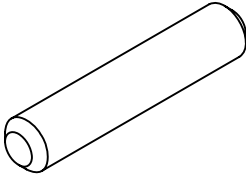
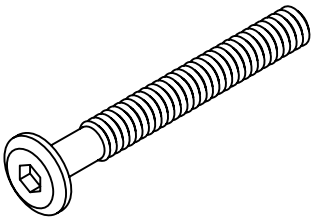
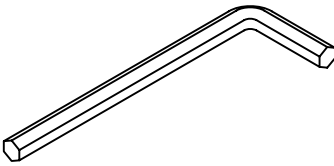


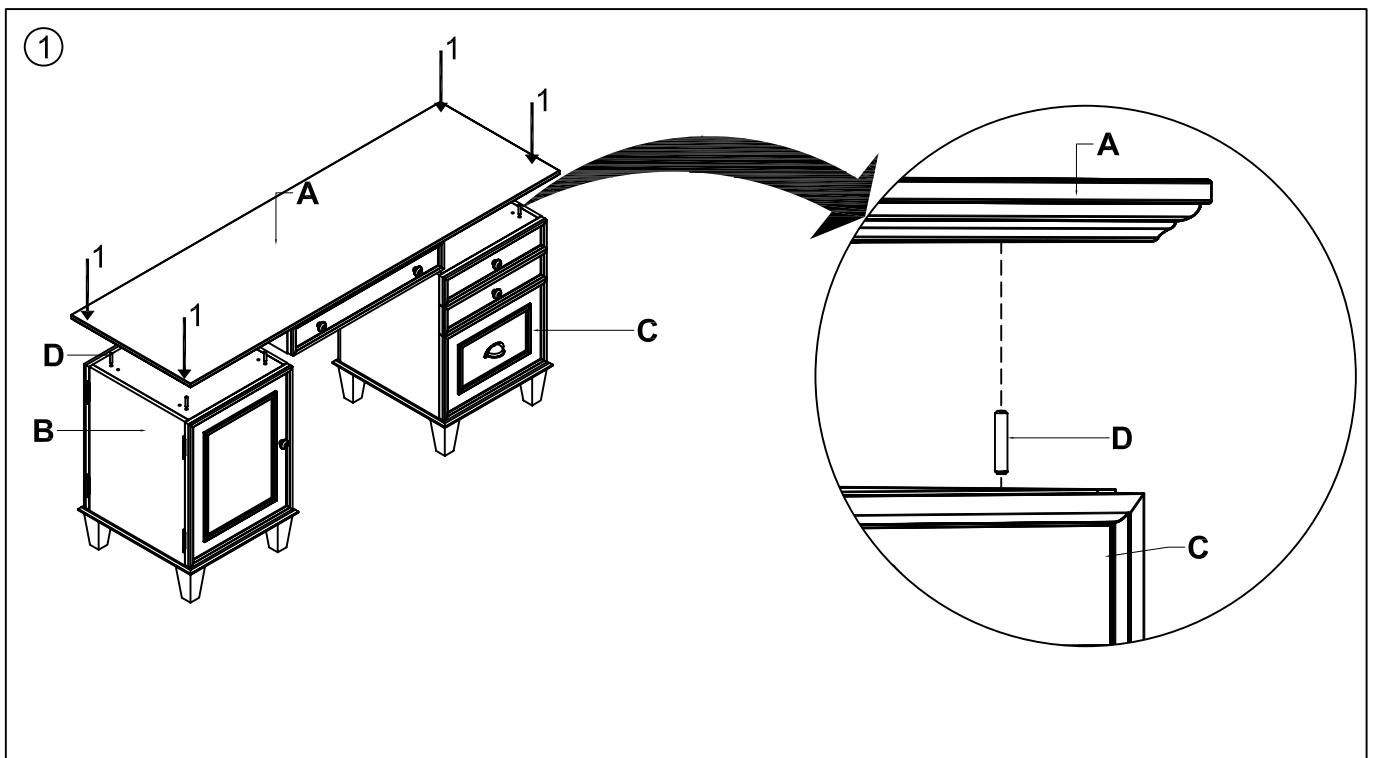


# ASSEMBLY INSTRUCTIONS

## ALDERSON - SMALL DESK

NO.	PARTS LIST	QTY
(A)		1 pc
(B)		1 pc
(C)		1 pc

NO.	PARTS LIST	QTY
(D)		8 pcs
(E)		8 pcs
(F)		1 pc



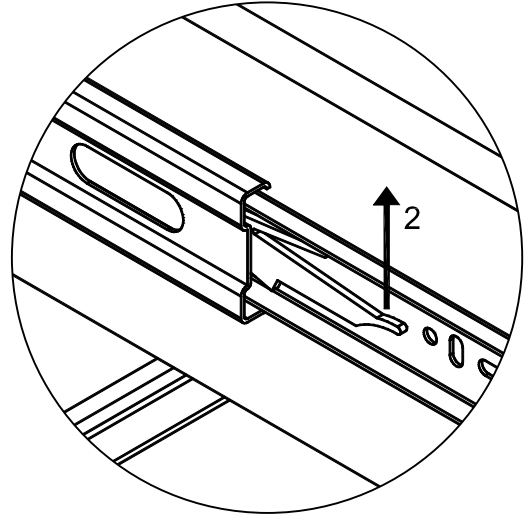
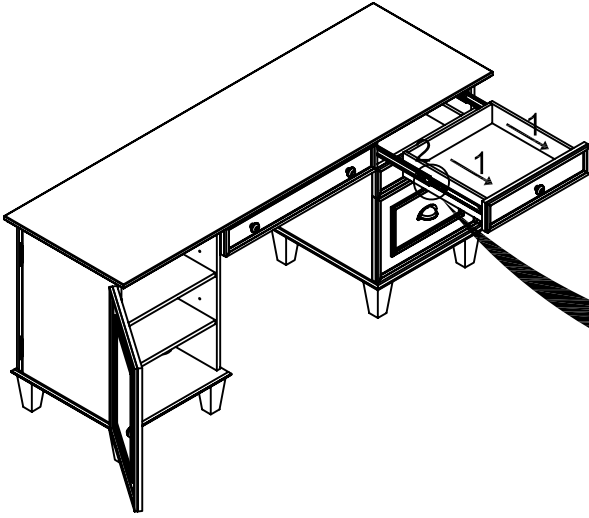
# ASSEMBLY INSTRUCTIONS

## ALDERSON - SMALL DESK

②

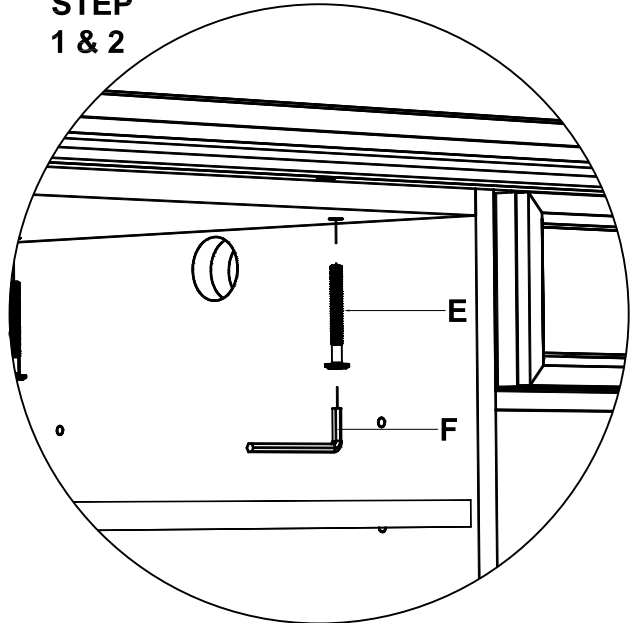
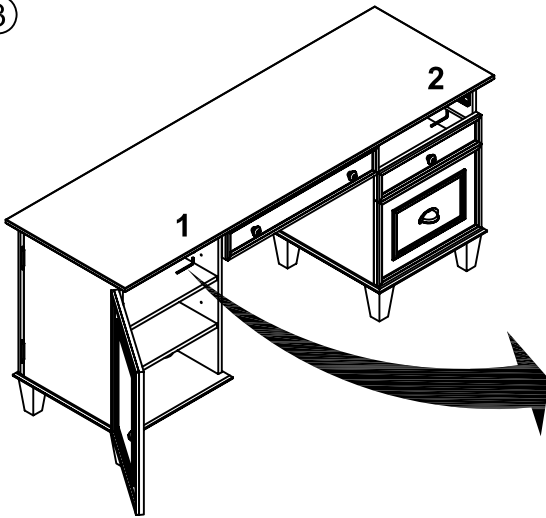
1. Take the drawer off.

2. Pull the drawer runner plastic bar (black) up, to release the drawer.

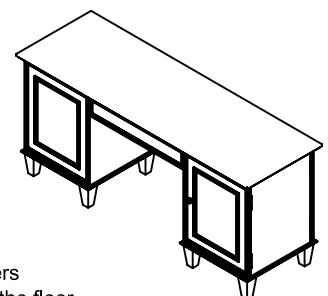
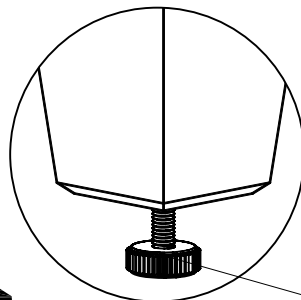
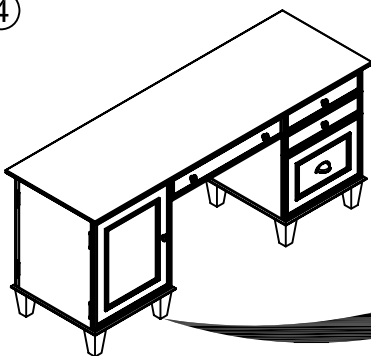


③

STEP  
1 & 2



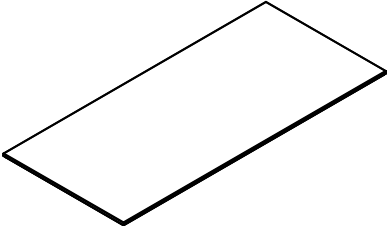
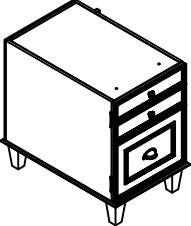
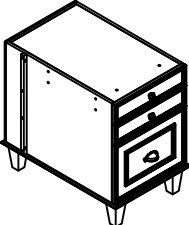
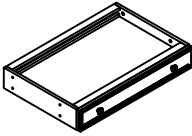
④

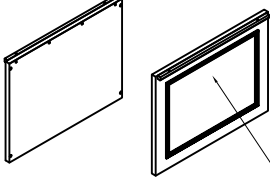

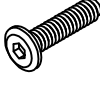



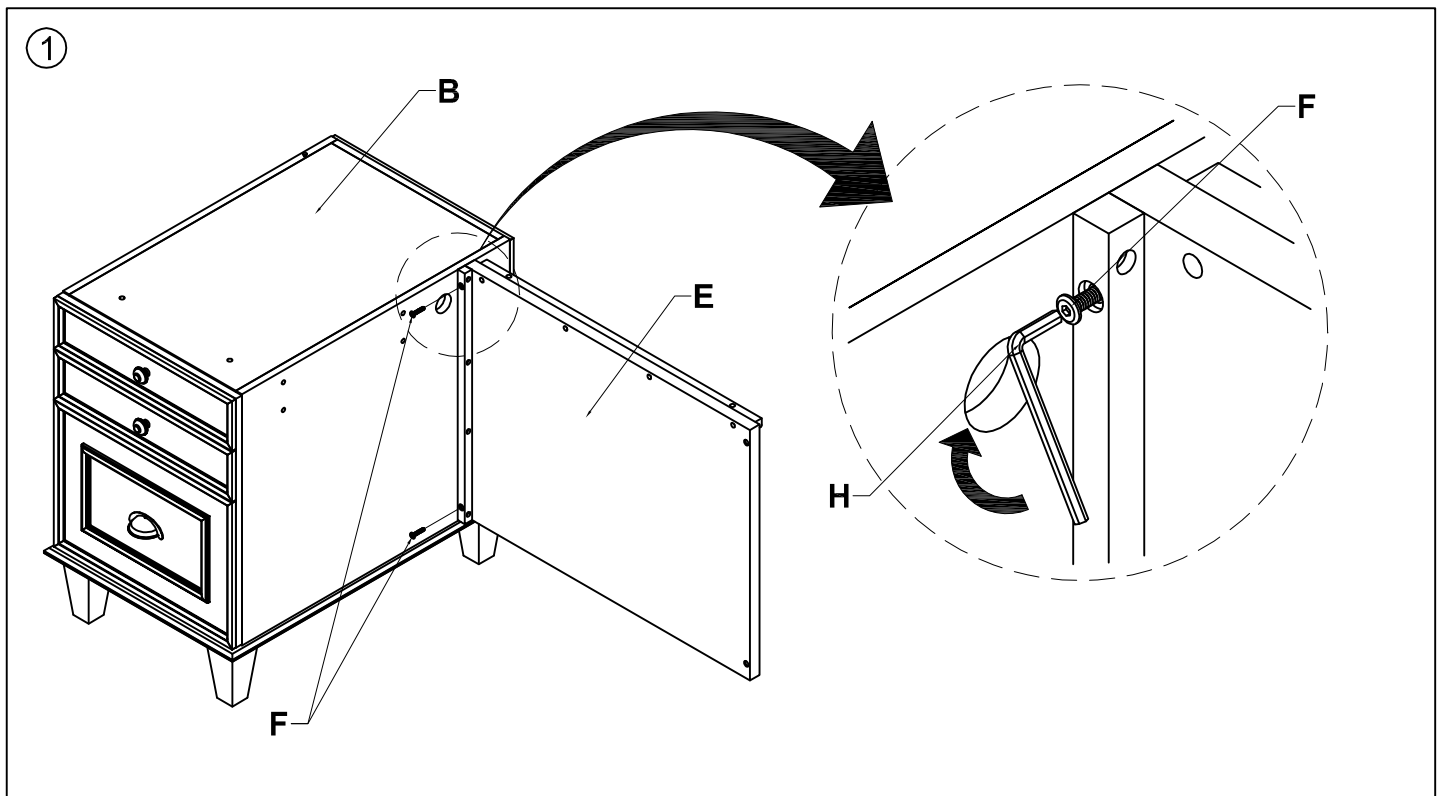
Adjust levellers  
according to the floor

# ASSEMBLY INSTRUCTIONS

## ALDERSON - EXECUTIVE DESK

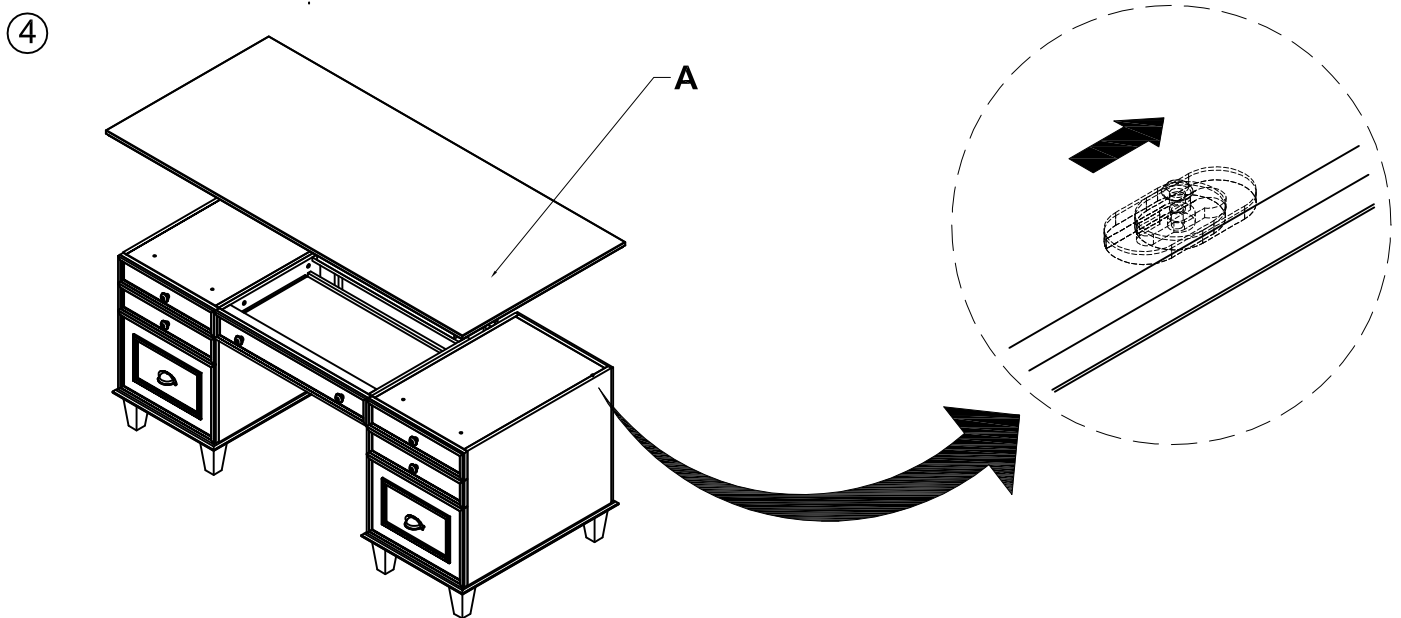
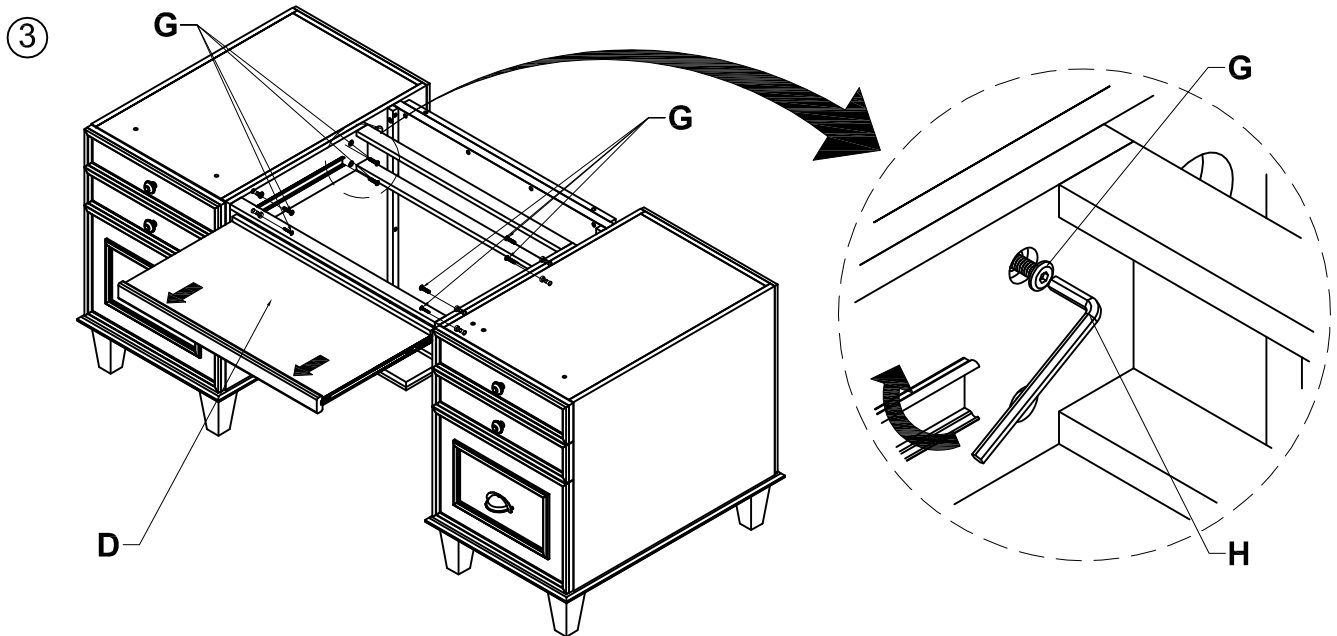
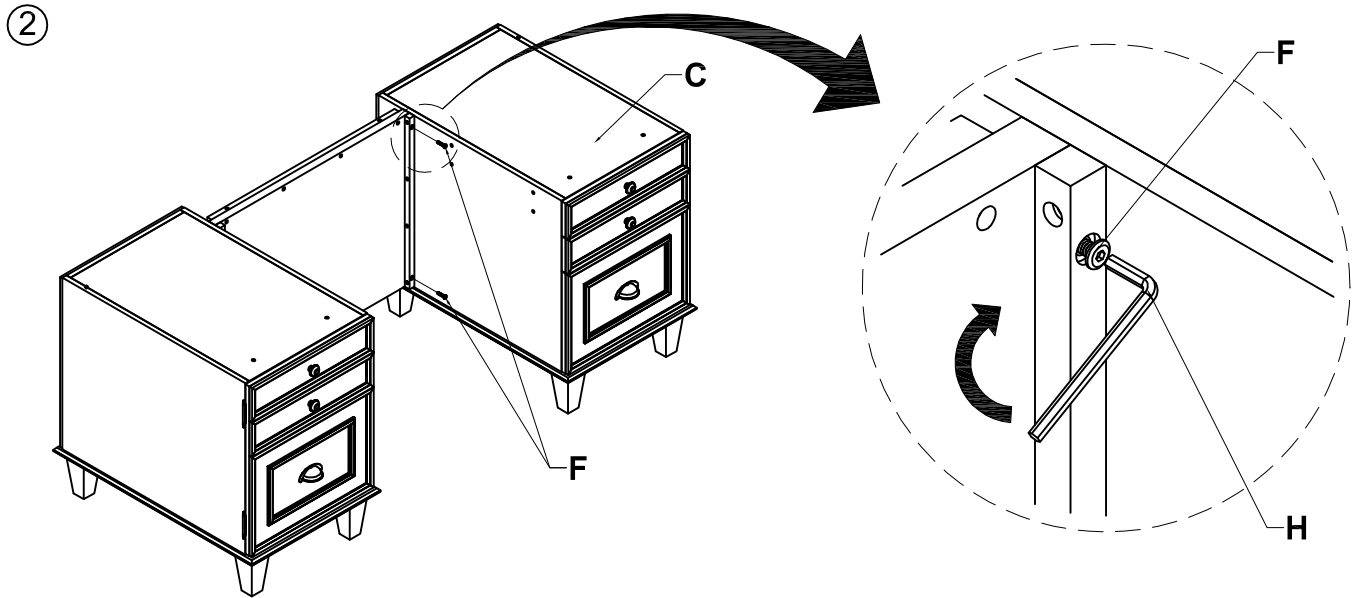
NO.	PARTS LIST	QTY
Ⓐ		1 pc
Ⓑ		1 pc
Ⓒ		1 pc
Ⓓ		1 pc

NO.	PARTS LIST	QTY
Ⓔ	 Back view	1 pc
Ⓕ	 Bolt M6 X 30	10 pcs
Ⓖ	 Bolt M6 X 25	8 pcs
Ⓗ		1 pc



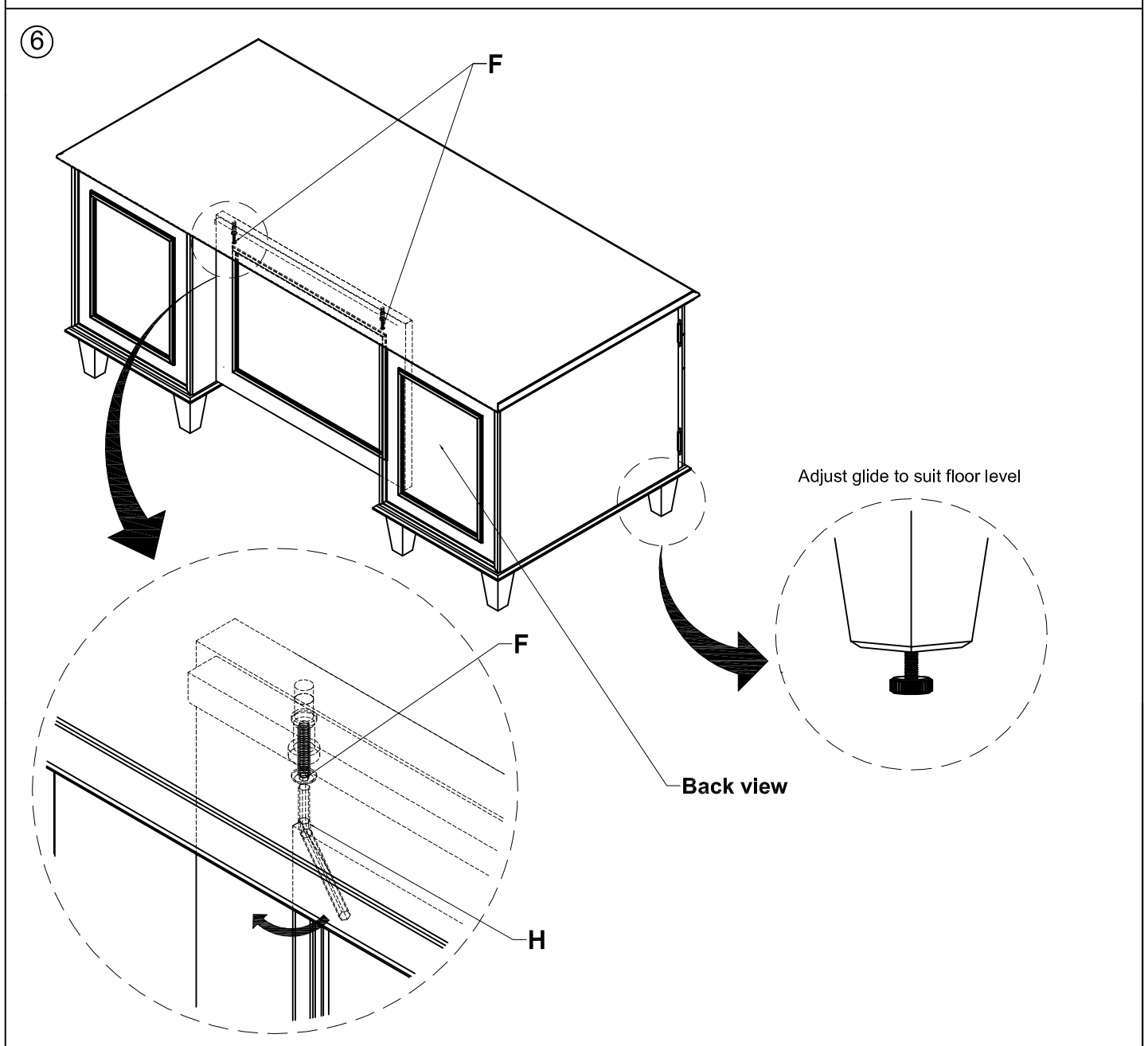
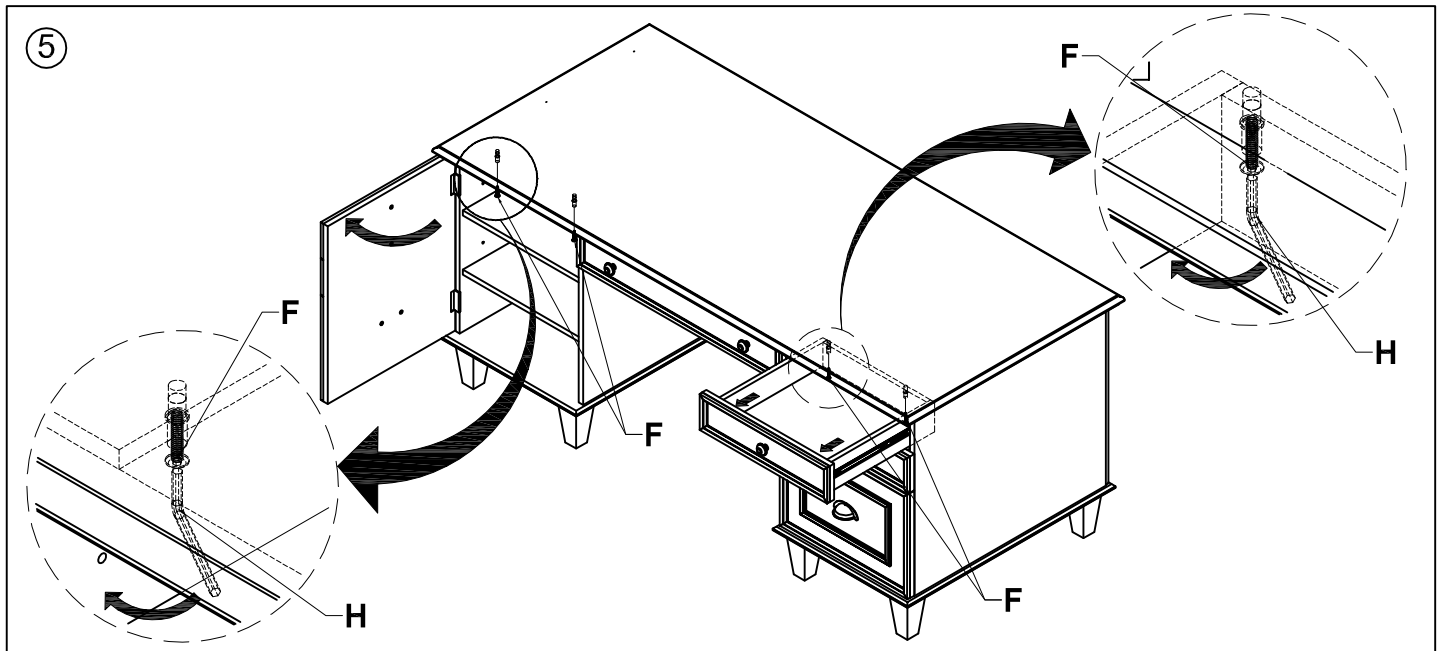
# ASSEMBLY INSTRUCTIONS

## ALDERSON - EXECUTIVE DESK



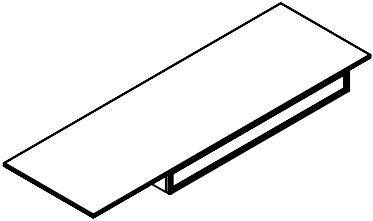
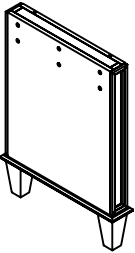
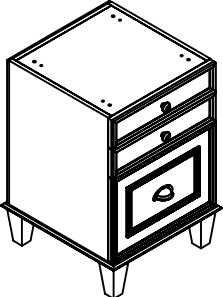
# ASSEMBLY INSTRUCTIONS

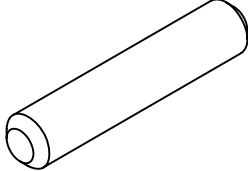
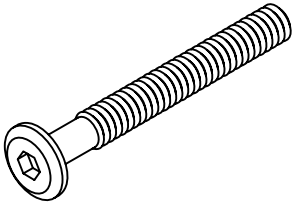
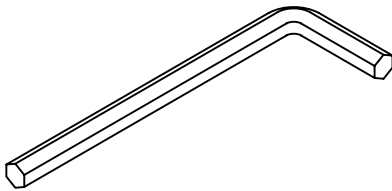
## ALDERSON - EXECUTIVE DESK

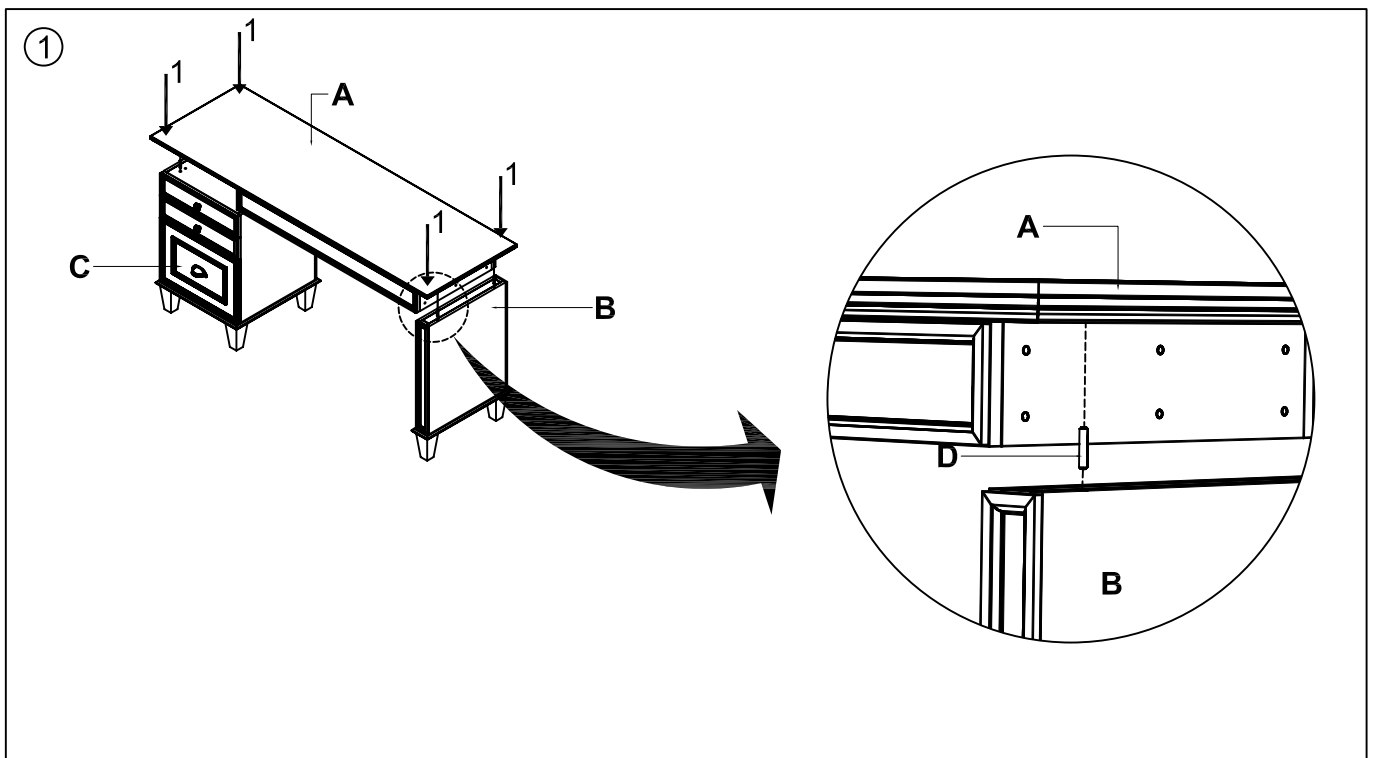


# ASSEMBLY INSTRUCTIONS

## ALDERSON - RETURN DESK

NO.	PARTS LIST	QTY
(A)		1 pc
(B)		1 pc
(C)		1 pc

NO.	PARTS LIST	QTY
(D)		6 pcs
(E)		10 pcs
(F)		1 pc

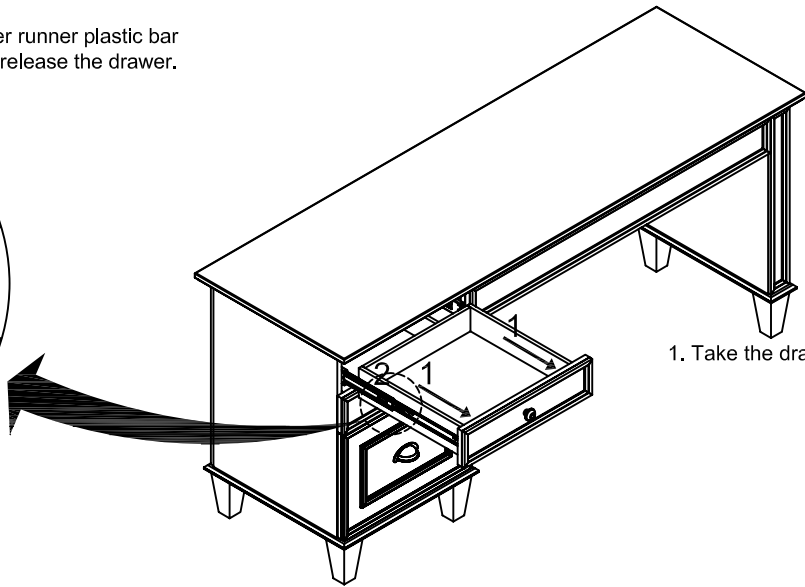
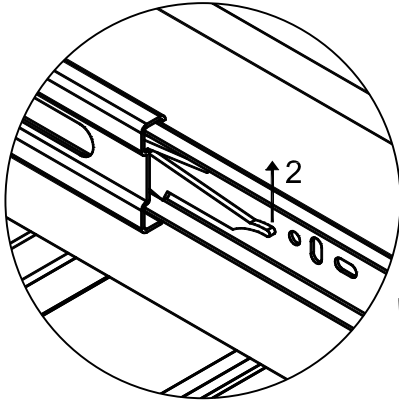


# ASSEMBLY INSTRUCTIONS

## ALDERSON - RETURN DESK

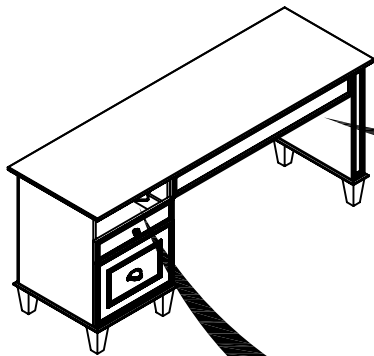
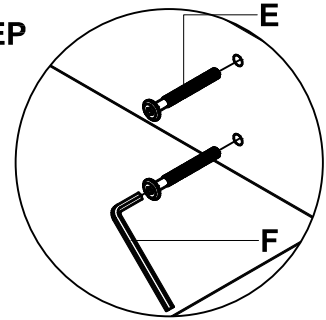
②

2. Pull the drawer runner plastic bar (black) up, to release the drawer.

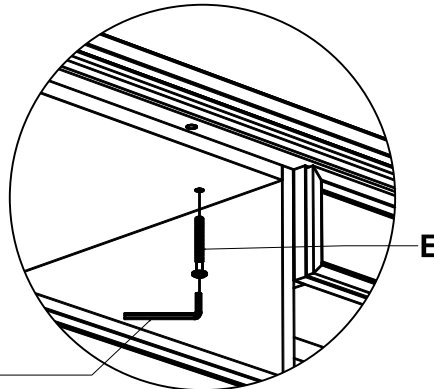


③

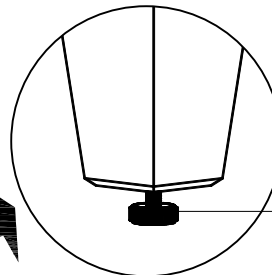
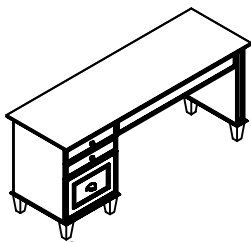
STEP  
2



STEP  
1



④



Adjust levellers  
according to the floor

# DESK PARTS SKUS

Super Category	Product ID	Description	Collection	Route
DESK	55ALDSHLF	ALDERSON BOOKSHELF SHELF SHELF FOR 5ALDBK2	PT-ALDERSN	PART
DESK	91511DROPHIN	ALDERSON COMP CAB DOOR HINGE	PT-ALDERSN	PART
DESK	91ALDCMPROD	ALDERSON COMP CAB FILE ROD	PT-ALDERSN	PART
DESK	91511FOLDFIT	ALDERSON COMP CAB HANG FITTING HANGING FOLDER FITTING	PT-ALDERSN	PART
DESK	91511SMHINGE	ALDERSON COMP CAB HINGE SM	PT-ALDERSN	PART
DESK	91511METBAR	ALDERSON COMP CAB METAL BAR COMPUTER CABINET METAL BAR	PT-ALDERSN	PART
DESK	91ALDCCESAKT	ALDERSON COMP CAB SOCCET ASSEM ELECTRICAL SOCCET ASSEMBLY	PT-ALDERSN	PART
DESK	91ALDDSKGLDS	ALDERSON DESK FEET GLIDES 48-351 48-353	PT-ALDERSN	PART
DESK	91511KEYHINGE	ALDERSON DESK KEYBOARD HINGE KEYBOARD TRAY HINGE	PT-ALDERSN	PART
DESK	91511ALDKEYGLIDE	ALDERSON DESK KEYBOARD RUNNER KEYBOARD TRAY RUNNER	PT-ALDERSN	PART
DESK	91511HG BARAD	ALDERSON EXEC DESK HANG BAR ALUMINUM ADJUSTABLE BAR	PT-ALDERSN	PART
DESK	91511ALDEXHW	ALDERSON EXEC DSK ASSEMBLY HDW EXECUTIVE DESK HARDWARE	PT-ALDERSN	PART
DESK	91511HG BARFIX	ALDERSON HANGING BAR FIXED	PT-ALDERSN	PART
DESK	91511ALDKNOB	ALDERSON KNOB	PT-ALDERSN	PART
DESK	91511LATFILADJ	ALDERSON LAT FILE ADJ ALUMINUM	PT-ALDERSN	PART
DESK	91511LATFILFX	ALDERSON LAT FILE FIXED ALUMIN	PT-ALDERSN	PART
DESK	91511LIDSTAY	ALDERSON LID STAY	PT-ALDERSN	PART
DESK	91511ALDPULL	ALDERSON PULL	PT-ALDERSN	PART
DESK	91511ALDRTNDSK	ALDERSON RTN DSK ASSEMBLY HDW	PT-ALDERSN	PART
DESK	91511ALDSMDSK	ALDERSON SM DSK ASSEMBLY HDW	PT-ALDERSN	PART



# ARHAUS®

your home

## alex



### Desk Chair

32.5" w x 25.5" d x 42" h

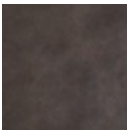
Aspen Durant

55ALEXBRNDCH

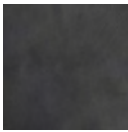
Milestone Coal

55ALEXBLKDCH

### Leathers:



Aspen Durant



Milestone  
Coal

### your style your way

Craft a custom design that tells your style story.

This collection is available in special-order **Fabrics** and **Leathers**.

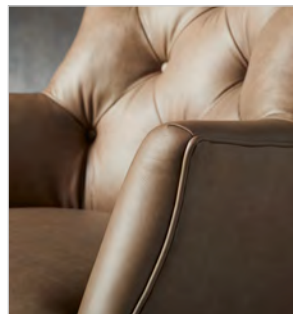
Ask in store or call **866.427.4287**

## mimicking 1920s Parisian club chairs,

our Alex collection features high-backed silhouettes fitted with luxuriously plush upholstery. Relaxing, rolling desk chairs showcase rich hand-finished leather expertly tailored to add comfort and sophistication to your work space. Craftsman-built frames and metal bases house pneumatic lift mechanisms, allowing you to tilt and swivel to your ideal position. Lumbar pillows, heavy-duty elastic webbing, dense eco-friendly foam, and an abundance of down-blend padding provide the support needed to get the job done.

### product details

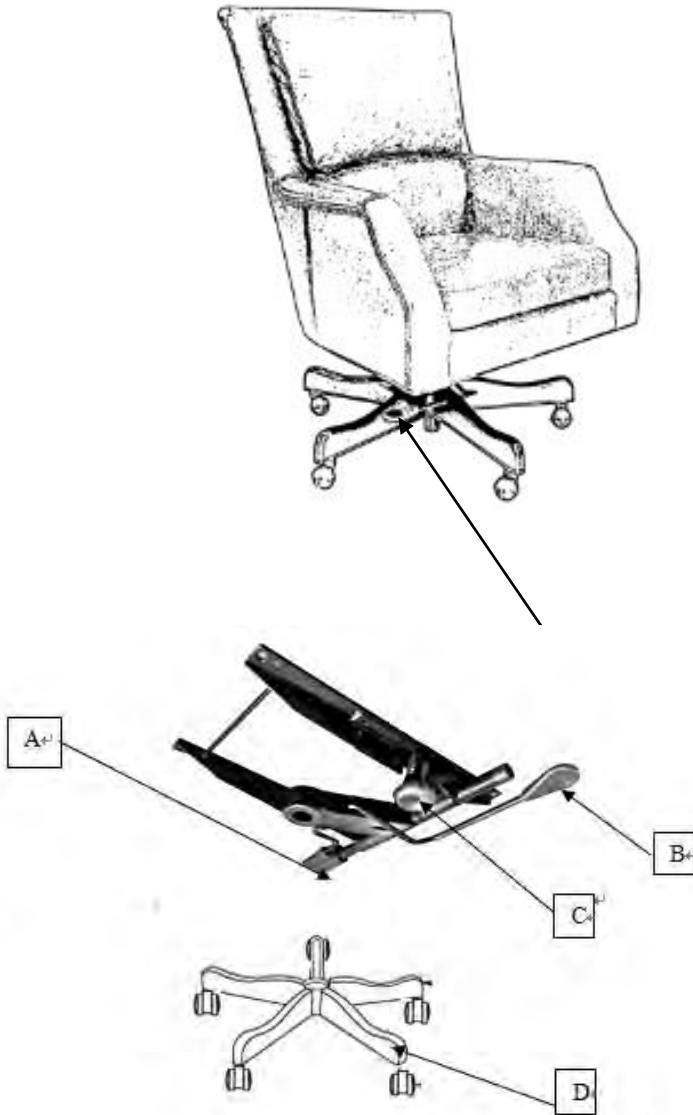
- ▶ Craftsman-built chair frames are constructed from solid, reinforced hardwood for superior stability.
- ▶ Chair backs and sides are trimmed in hand-applied nailheads to further accentuate upholstered surfaces.
- ▶ Metal chair bases feature pneumatic, gas lift cylinder mechanisms, which allow you to tilt chair and swivel to your ideal position.
- ▶ Cushions are sustained by a flexible network of durable rubber webbing for comfortable, evenly dispersed support.
- ▶ Seat-cushion cores consist of dense, eco-friendly foam made partly from plant-based material.
- ▶ Down, feather, and poly-fiber padding creates relaxing sink, and cotton, down-proof casings maintain cushion shape.
- ▶ Cushions are channel-stitched to keep padding in place for added resilience.
- ▶ Keep your furniture/décor looking its best. Visit [arhaus.com](http://arhaus.com) or speak to any Arhaus Design Consultant for care recommendations.



**Carefully unpack all parts and identify them with parts list and assemble the chair following the Assembly Instructions.**

**Put the chair onto a flat floor then you can sit onto and adjust the reclining and the seat height**

1. Please sit down onto the chair and use the left handle (A) to adjust the reclining of the chair, and use the right handle (B) to adjust the height of it.
2. Pull the left handle (A) out and the chair is active to recline. Get a desired tilt and release the left handle to lock it. You can lock at several different tilt angles by reclining your body.
3. Turn the right handle (B) upward to activate the cylinder for adjusting the height of the chair. Raise your body up, the seat will be lifted up to a desired height by the cylinder. To get a lower height, please sit down with the right handle (B) turning upward. Release the right handle (B) to lock the cylinder when you achieve a desired seat height.
4. Turn the knob (C) clockwise to lessen the tension and counter clockwise to tighten the tension



### Parts As Shown

- A. Left handle
- B. Right handle
- C. Tilt tension knob
- D. Base set

# DESK PARTS SKUS

Super Category	Product ID	Description	Collection	Route
DESK	91854ALCAPS	ALEX DESK CHAIR CAPS WOOD 5PC	PT-ALEX	PART
DESK	91854ALEXCAST	ALEX DESK CHAIR CASTOR QTY 1 EACH CHAIR REQUIRES 5	PT-ALEX	PART
DESK	91854ALCLIPS	ALEX DESK CHAIR CLIP FOR CAPS	PT-ALEX	PART
DESK	91854ALCYL	ALEX DESK CHAIR CYLINDER	PT-ALEX	PART
DESK	91854ALMECH	ALEX DESK CHAIR MECH	PT-ALEX	PART
DESK	91854METBS	ALEX DESK CHAIR METAL BASE	PT-ALEX	PART

# ARHAUS®

your home

## argent



**Executive Desk**  
70" w x 31" d x 31" h  
55ARGTEDKGR



**Tall File Cabinet**  
22" w x 21" d x 63.5" h  
55ARG4DFILE

**Finishes:**



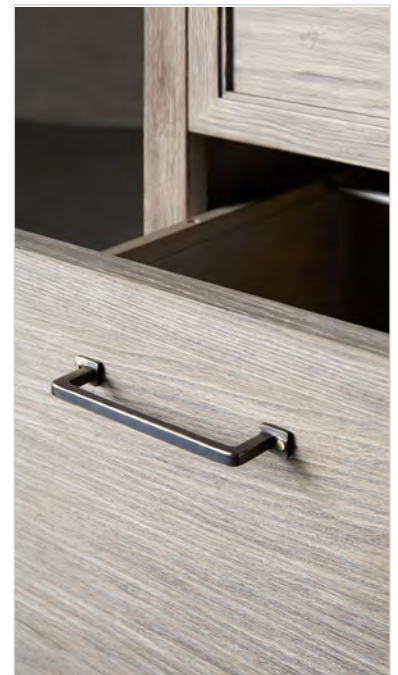
Stone on Ash

## redefining décor classics

Clean, simple, and versatile, our Argent collection is thoughtfully designed to be the foundation of your décor. Featuring, simple hand-sculpted moulding, this office collection is judiciously detailed to easily complement a wide range of aesthetics. Frames are built from solid ash wood, using mortise-and-tenon joinery to ensure lasting strength and stability. And, multilayered finishes are hand-applied to ash-veneer surfaces, creating a rustic, distressed appearance that accentuates the ash wood's natural features, adding depth and texture to your space.

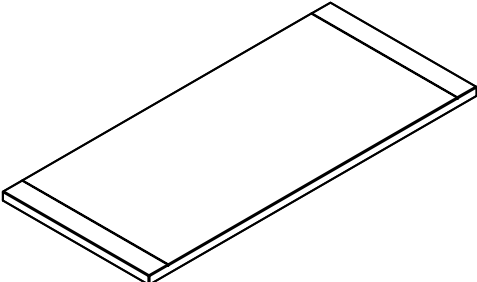
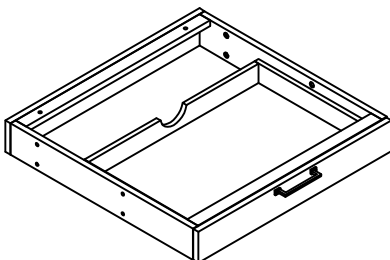
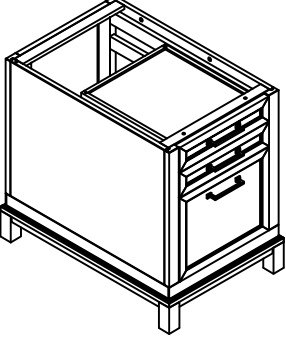
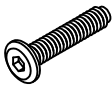
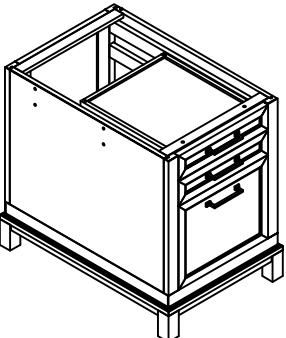

### product details

- ▶ Craftsman-built from solid ash wood and surfaced with ash veneers for a consistent surface.
- ▶ Frames are reinforced with mortise-and-tenon joinery to ensure superior strength and stability.
- ▶ Multilayered finishes are applied by hand. Wood surfaces are sanded, stained, sealed, and glazed to create a rustic appearance.
- ▶ This collection is artisan-crafted from natural materials with hand-applied finishes. Individual pieces may vary in color, pattern, shape, and texture, making each truly unique.
- ▶ Natural wood may display small splits, knots, joint lines, or other organic features that will not affect the quality or performance of your piece.
- ▶ Furniture made from natural wood may move slightly due to temperature and humidity. This is normal and should be expected from season to season.
- ▶ Keep your furniture looking its best. Visit [arhaus.com](http://arhaus.com) or speak to any Arhaus Design Consultant for care recommendations.

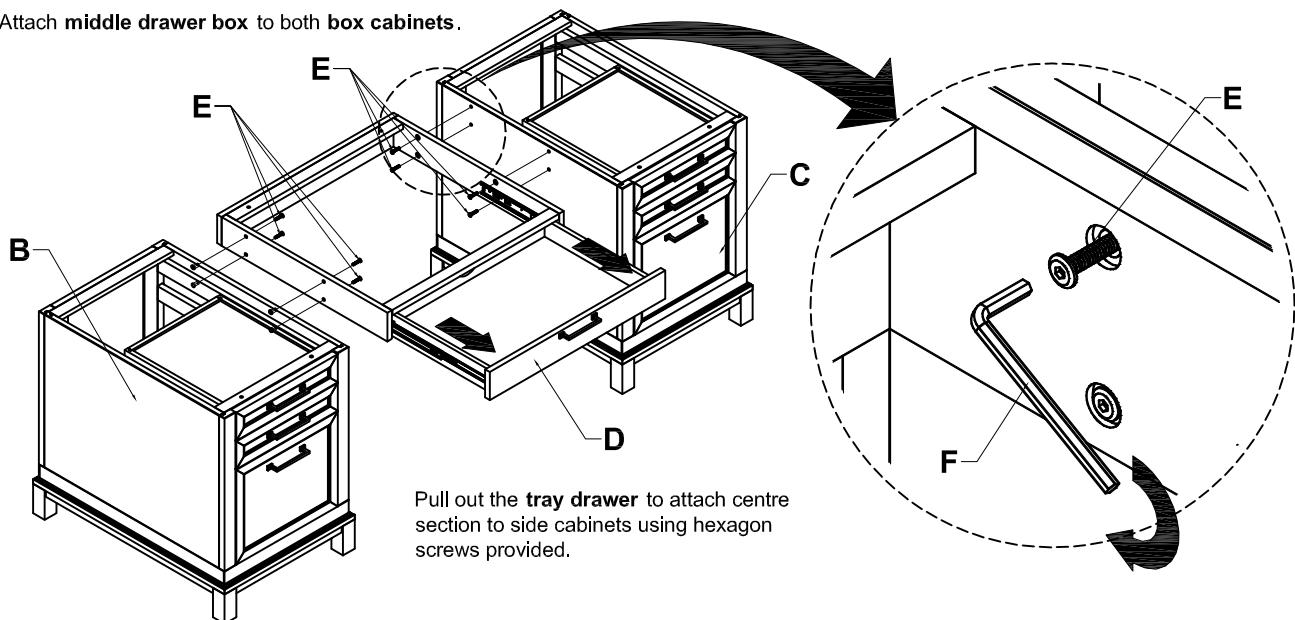


# ASSEMBLY INSTRUCTIONS

## ARGENT - EXECUTIVE DESK

NO.	PARTS LIST	QTY	NO.	PARTS LIST	QTY
(A)		1 pc	(D)		1 pc
(B)		1 pc	(E)		14 pcs
(C)		1 pc	(F)		1 pc

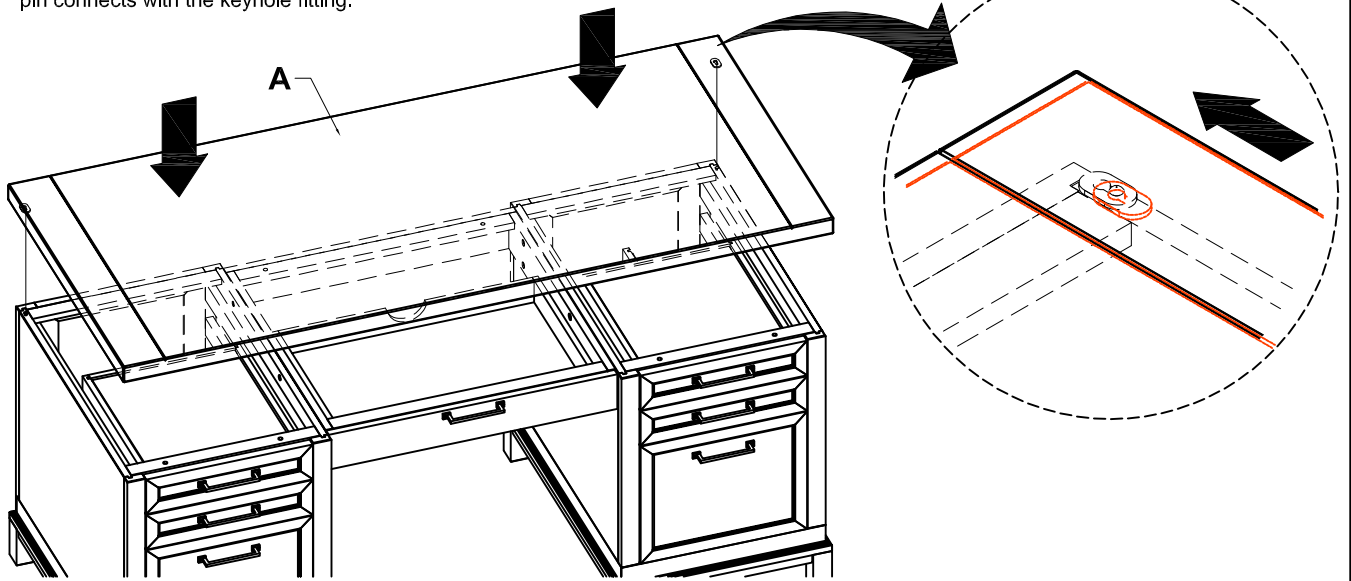
Attach **middle drawer box** to both **box cabinets**.



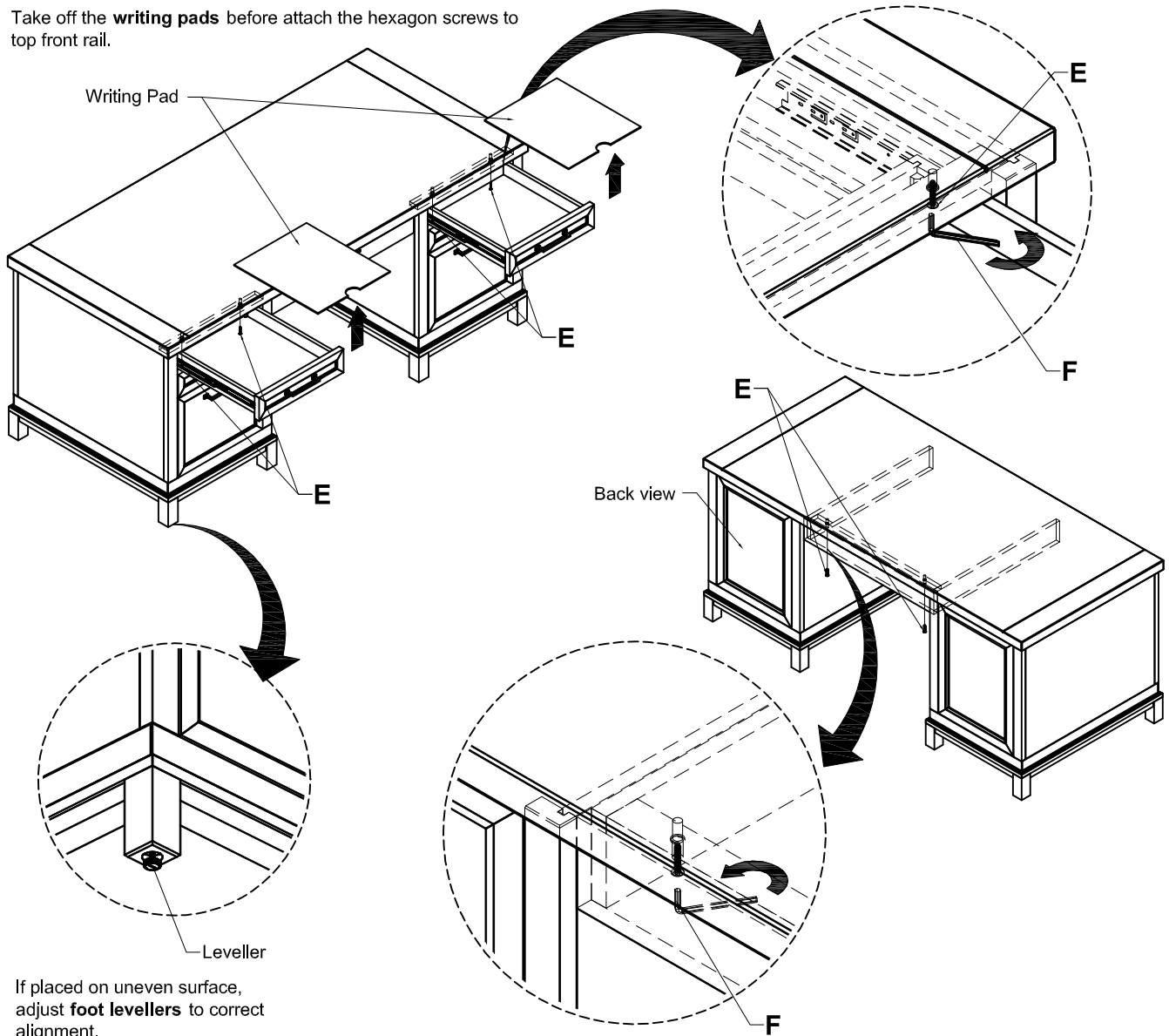
# ASSEMBLY INSTRUCTIONS

## ARGENT - EXECUTIVE DESK

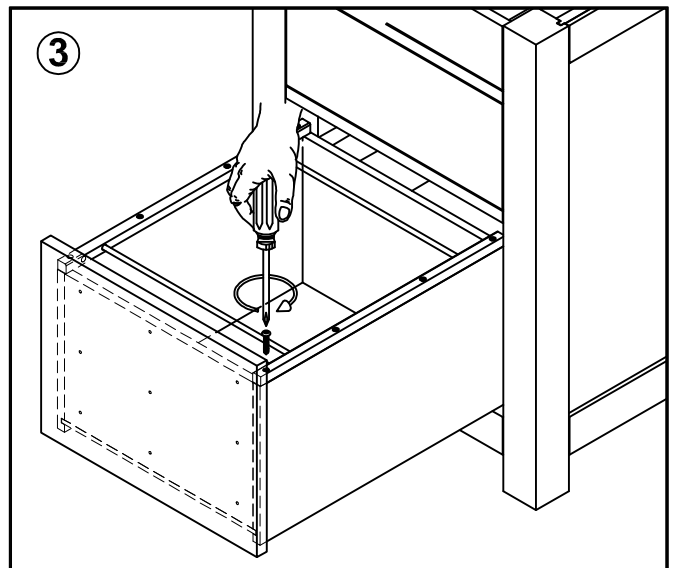
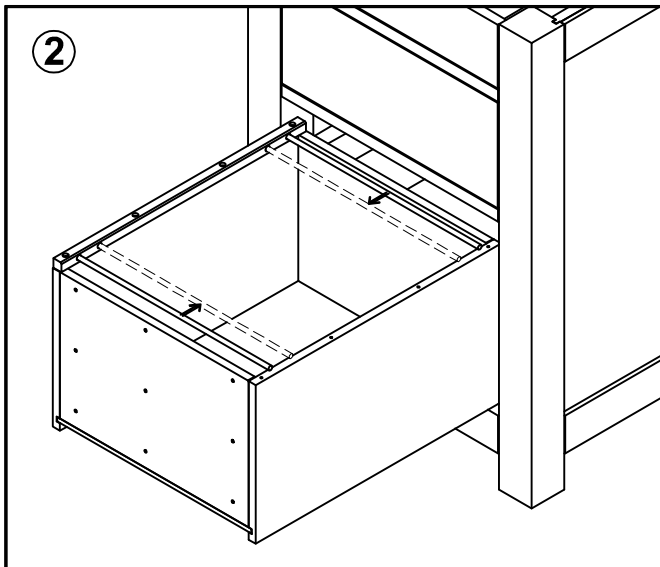
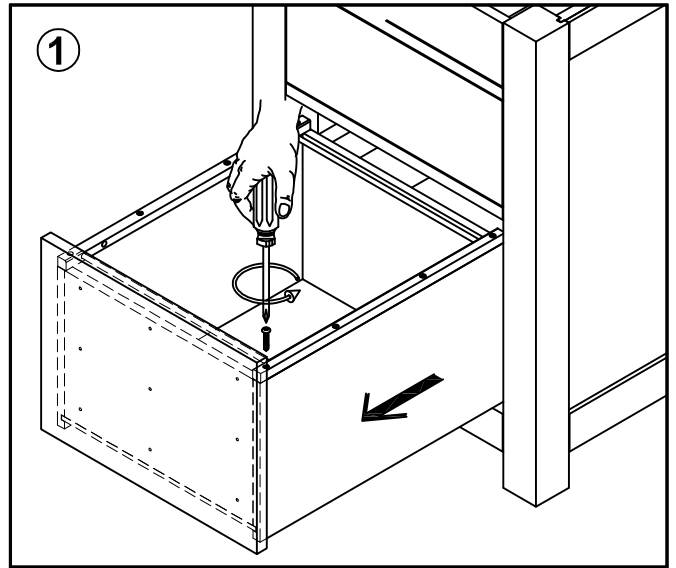
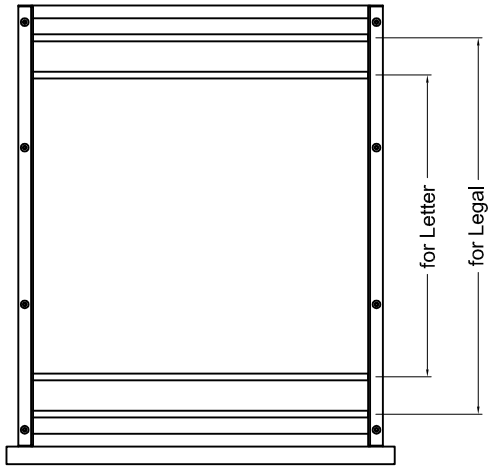
Place the **top** down and slide it back so that pin connects with the keyhole fitting.



Take off the **writing pads** before attach the hexagon screws to top front rail.



# FILE ROD ADJUSTMENT



# DESK PARTS SKUS

Super Category	Product ID	Description	Collection	Route
DESK	91ARGTASHWPT1	ARGENT DSK ASM HW PRT 1 OF 2 PART 1 OF 2	PT-ARGENT	
DESK	91ARGTASHWPT2	ARGENT DSK ASM HW PRT 2 OF 2 PART 2 OF 2	PT-ARGENT	



# ARHAUS®

your home

## athens



### Executive Desk

78" w x 38" d x 30" h  
Tuxedo Black 55ATHBLEXDK  
Nimbus 55ATHNBEXDK

### executive desk

- ▶ Features a pull-out tray, storage drawer and a file drawer on each side.
- ▶ Open shelving on the front includes one removable/adjustable shelf per side.
- ▶ Tuxedo Black desks include a black, leather writing pad.
- ▶ Nimbus desks include a grey, leather writing pad.
- ▶ Cord management holes accommodate electronics.
- ▶ Top features a hidden compartment, a three-plug media outlet and two removable trays.



### Writing Desk

66" w x 31" d x 31" h  
Tuxedo Black 55ATHWRTDK2  
Nimbus 55ATHNBWRTDK

### writing desk

- ▶ Features two hidden trays and two hidden drawers flanking the center drawer.
- ▶ Center drawer opens with a drop-down front.
- ▶ Black desks include a black, leather writing pad.
- ▶ Nimbus desks include a grey, leather writing pad.
- ▶ Drawers feature full-extension, metal glides.

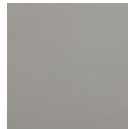
### Finishes:



Tuxedo  
Black



Nimbus



Stratus  
(coming  
soon)

### your style your way

Craft a custom modular configuration that tells your style story.  
Ask in store or call 866.427.4287

## neoclassical detailing and rich finishes

With its vintage silhouette, simple lines and rich finish, the Athens collection infuses your space with the ambiance of an old English library. Our artisans combined Old World style, like hand-carved detailing, with modern design and hidden features for contemporary functionality. The solid wood contains subtle hand-distressing for a purposefully worn, yet elegant look.

### product details

- ▶ Finishes are applied by skilled artisans who paint, stain, and distress each surface by hand.
- ▶ Finishes are coated in a soft lacquer for added protection.
- ▶ Pieces finished in Tuxedo Black are handcrafted using solid mahogany and veneers.
- ▶ Pieces finished in Nimbus and Stratus are handcrafted using solid, yellow poplar and veneers.
- ▶ Cabinetry is accented with moulding, beadboards, recessed panels, and brass hardware.
- ▶ Solid brass hardware features an antiqued finish.
- ▶ Keep your furniture looking its best. Visit [arhaus.com](http://arhaus.com) or speak to any Arhaus Design Consultant for care recommendations.



# ARHAUS®

your home



## Single File

39.5" w x 16.75" d x 31.5" h  
Tuxedo Black 40ATHSFLBLKT  
Nimbus 40ATHSFLNMKT  
Stratus 40ATHFLSTKT2

## single file

- ▶ Includes end panels, which can be removed to incorporate the cabinet into an Athens Modular Wall Configuration.



## Modular File

37.5" w x 16.75" d x 31.5" h  
Tuxedo Black 40ATHSFLBL  
Nimbus 40ATHSFLNM  
Stratus 40ATHFILST2

## modular file

- ▶ Designed to fit inside an Athens Modular Wall Configuration.
- ▶ Does not stand alone. End panels not included.

## end panels

### Left Base

4" w x 16.75" d x 31.5" h  
Tuxedo Black 40ATHLPBS  
Nimbus 40ATHLPBSNM  
Stratus 40ATHLPBSST2

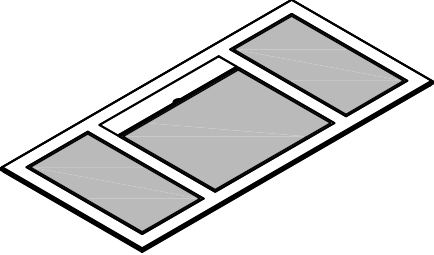
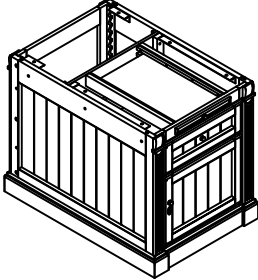
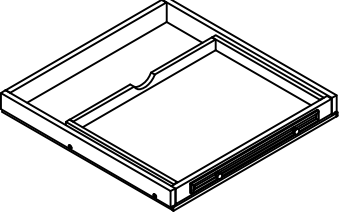
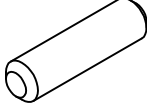
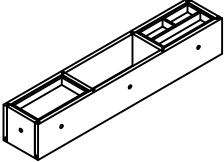
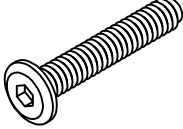
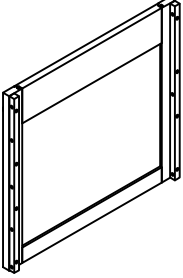
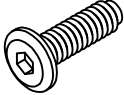
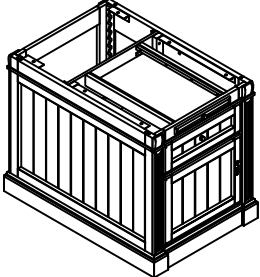
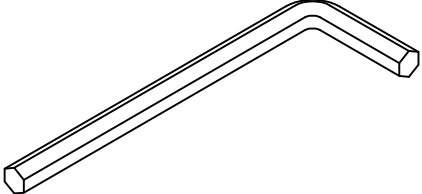
### Right Base

4" w x 16.75" d x 31.5" h  
Tuxedo Black 40ATHRPBS  
Nimbus 40ATHRPBSNM  
Stratus 40ATHRPBSST2

*Build your own custom configuration with our Athens Modular Collection.*

# ASSEMBLY INSTRUCTIONS

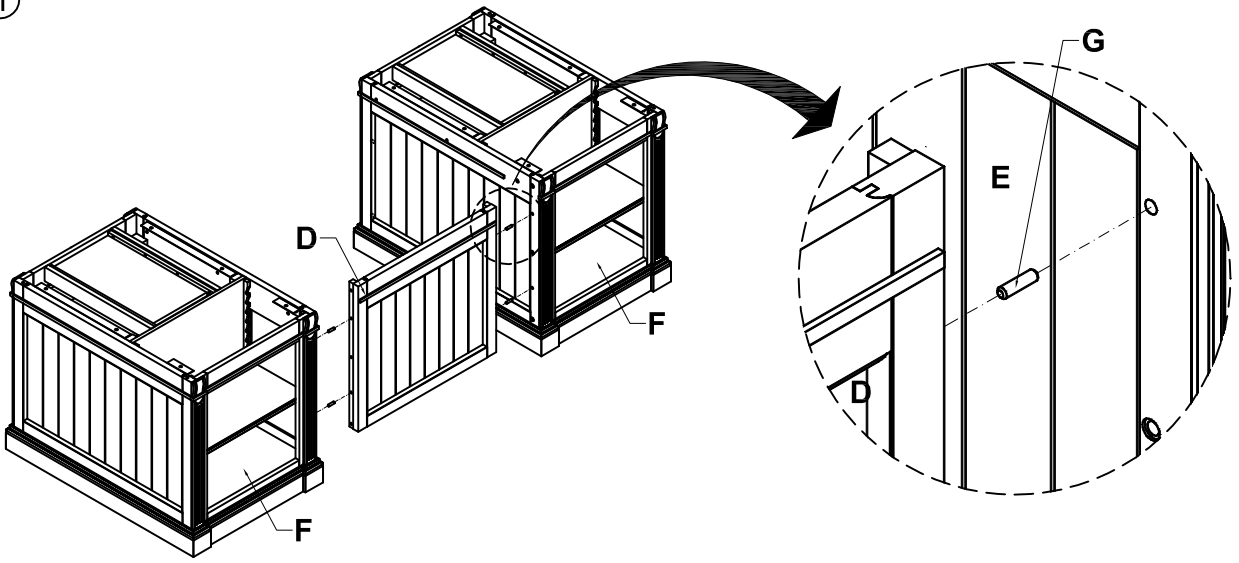
## ATHEN - EXECUTIVE DESK

NO.	PARTS LIST	QTY	NO.	PARTS LIST	QTY
Ⓐ		1 pc	Ⓕ		1 pc
Ⓑ		1 pc	Ⓖ		8 pcs
Ⓒ		1 pc	Ⓗ		10 pcs
Ⓓ		1 pc	Ⓘ		17 pcs
Ⓔ		1 pc	⓵		1 pc

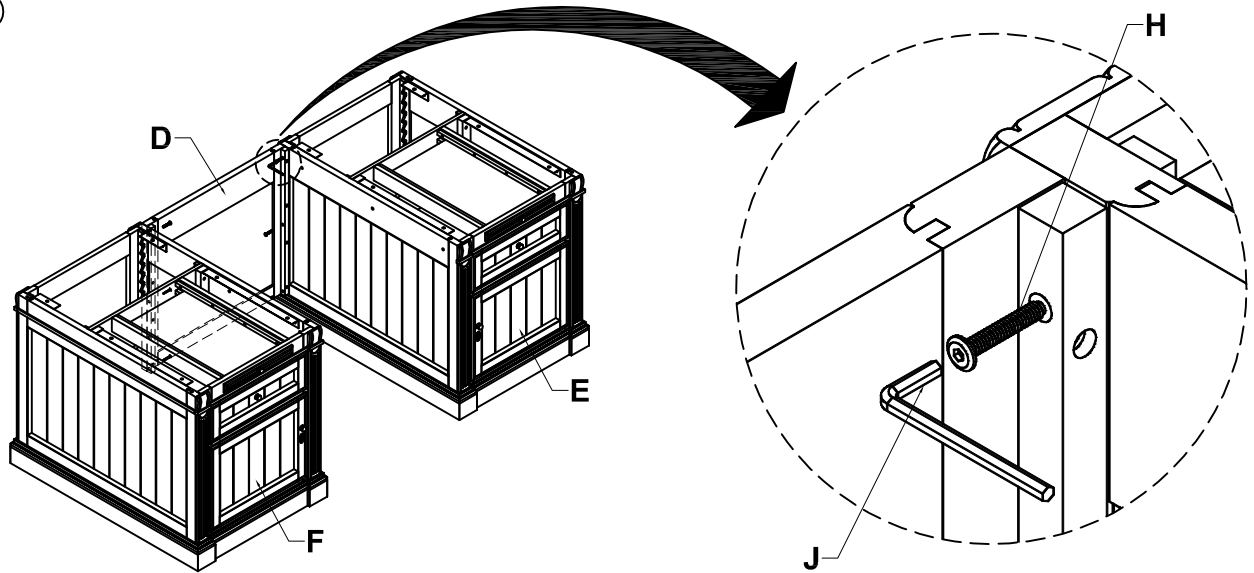
# ASSEMBLY INSTRUCTIONS

## ATHEN - EXECUTIVE DESK

①

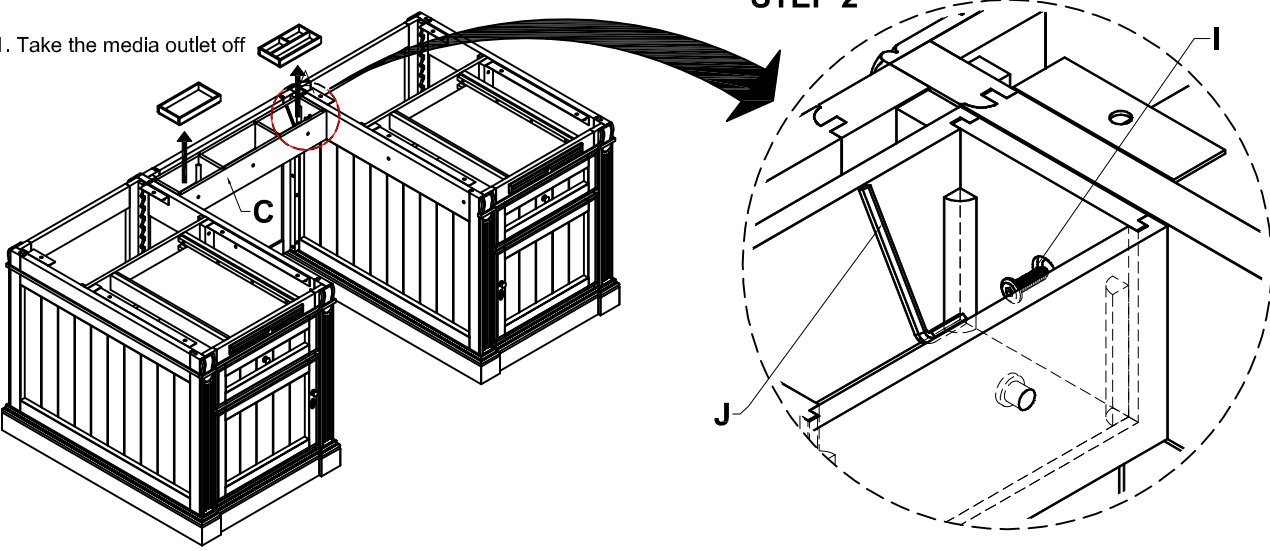


②



③

1. Take the media outlet off

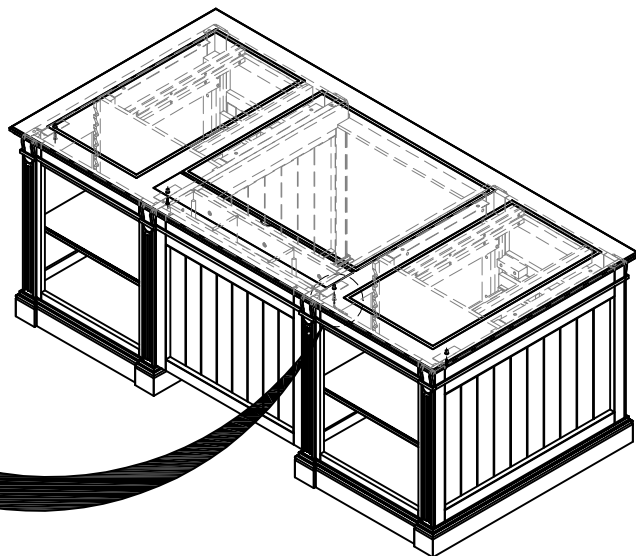
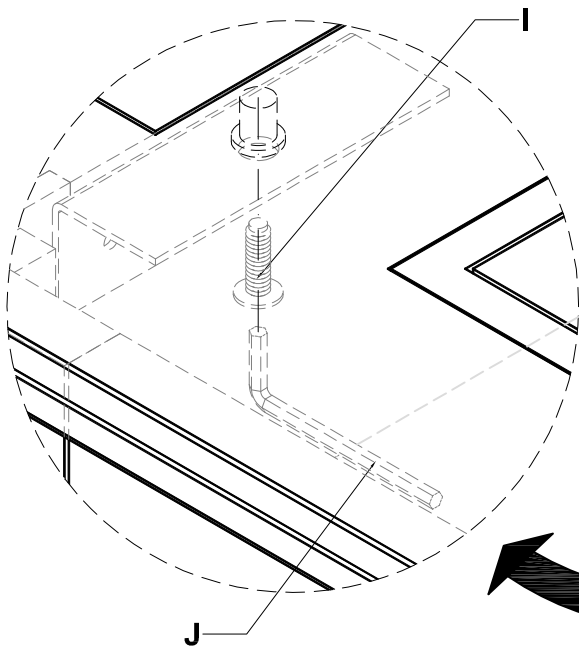
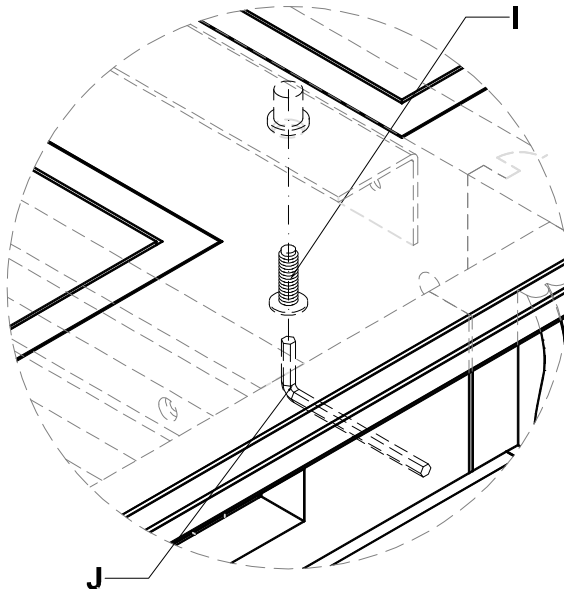
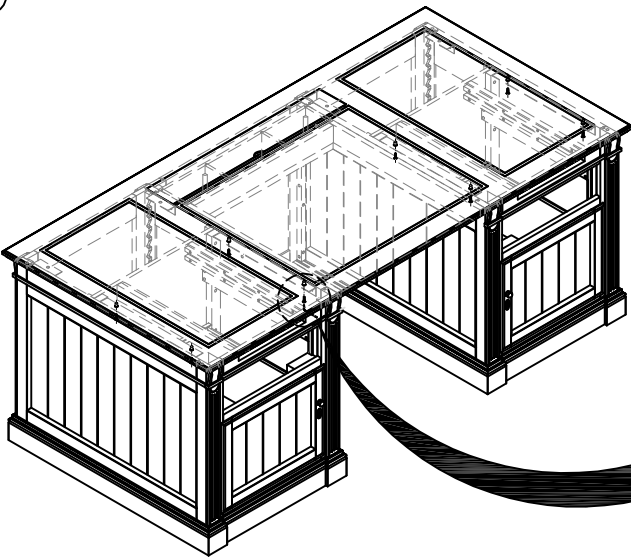




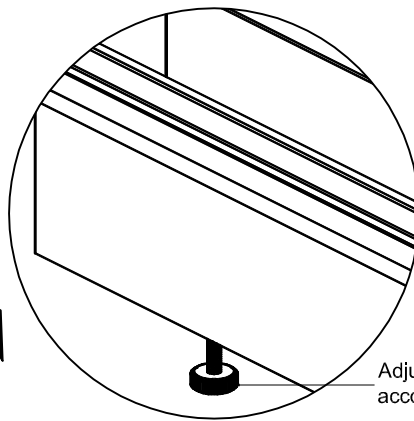
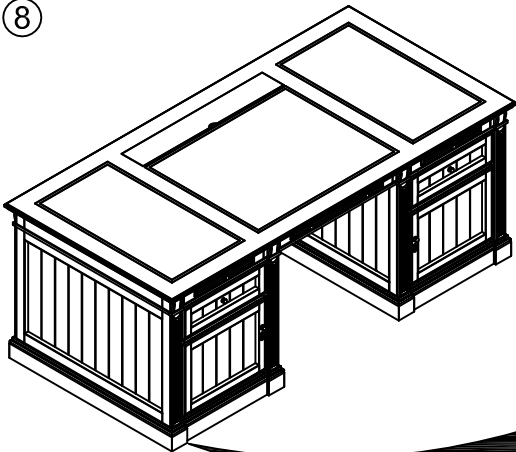
# ASSEMBLY INSTRUCTIONS

## ATHEN - EXECUTIVE DESK

7



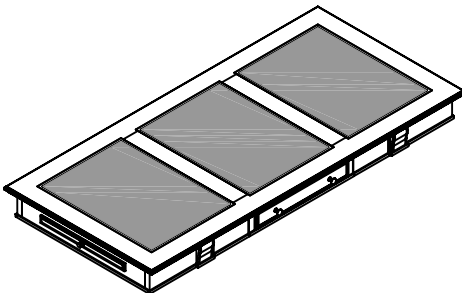
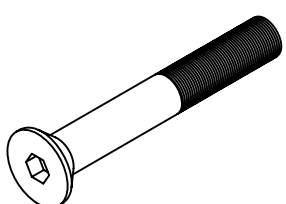
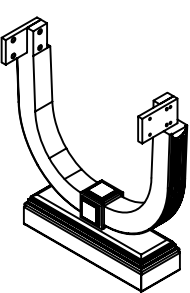
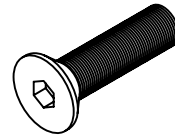
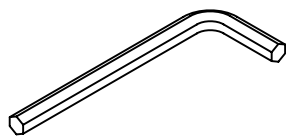
8



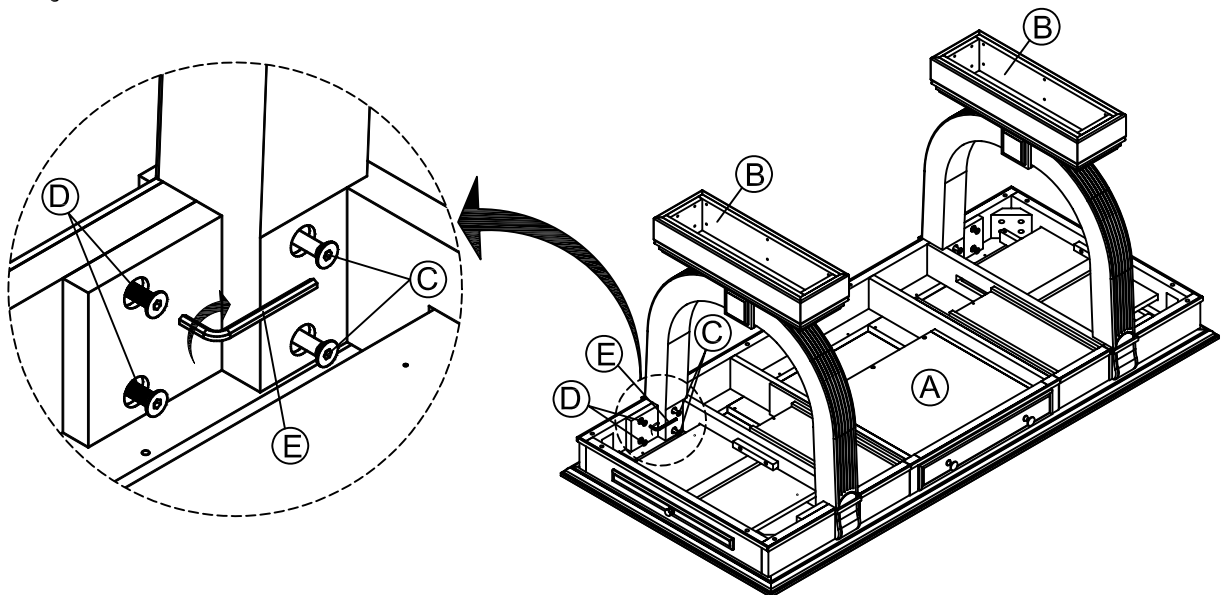
Adjust levellers according to the floor

# ASSEMBLY INSTRUCTIONS

## ATHEN - WRITING DESK

NO.	PARTS LIST	QTY	NO.	PARTS LIST	QTY
(A)		1 pc	(C)		8 pcs
(B)		2 pcs	(D)		8 pcs
			(E)		1 pc

Turn Table Top Upside down.  
Attach Legs.



# DESK PARTS SKUS

Super Category	Product ID	Description	Collection	Route
DESK	91ATHFWDKSLT	ATH FW EXEC DSK SLAT ATHENS FRENCH WHITE DESK	PT-ATHENS	
DESK	91ATHFWDKTRY	ATH FW EXEC DSK TRAY ATHENS FRENCH WHITE DESK	PT-ATHENS	
DESK	91ATHEXHW	ATHENS EXEC DESK ASMBLY HDWR	PT-ATHENS	PART
DESK	91ATHEXSS	ATHENS EXEC DESK SHLF SPRT BLK SHELF SUPPORT BLACK	PT-ATHENS	
DESK	91511ATHWRTDSK	ATHENS WRTNG DSK ASSEMBLY HDW	PT-ATHENS	PART



# ARHAUS®

your home

# BODHI

DESK COLLECTION | MADE IN INDONESIA

shown in  
Salvaged Grey



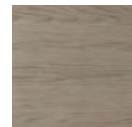
## PERSONALIZE YOUR MODERN WORKSPACE

Rustic yet refined, our Bodhi Desk Collection's minimalist, modular design allows you to craft a modern workspace that perfectly fits any home office. Platform-frame, white oak desks and coordinating filing pieces can be easily arranged in any configuration to include work surfaces and storage that meet your specific needs and preferences.

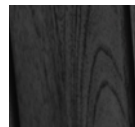
### PRODUCT DETAILS

- + Handcrafted from solid white oak and white oak veneers certified by the Forest Stewardship Council.
- + Wire-brushed finishes are hand-stained, layering natural tones with dry-brushed seal and lacquer to achieve an organically aged appearance.
- + Drawers and cabinet doors are complemented by brass pulls.
- + Drawers with English dovetail joinery rest on under-mounted glides.
- + File drawers adjust to fit both legal and standard sizes.
- + Bodhi is a modular office suite. All Desks, Files, and Cabinets are sold individually, allowing you to customize the perfect workspace for your home office.
- + Keep your furniture looking its best. Visit [arhaus.com](https://arhaus.com) or speak to any Arhaus Design Consultant for care recommendations.

### FINISHES:



Salvaged  
Grey



Ebony

### NEED HELP?

Visit a store, call **866.427.4287**, or **live chat** with our Design Team to learn more.

Dimensions may vary slightly. Please ensure furnishings fit through interior structures and into desired space before purchase.

shown in Ebony



**BODHI CONVERTIBLE DESK**

48-88" w x 24" d x 30" h

Salvaged Grey 55BOHDIGCNDK  
Ebony 55BOHDIECNDK



**83" MODULAR DESK**

83.25" w x 38" d x 30" h

Salvaged Grey 55BODHISGXDK  
Ebony 55BODHIEBXDK



**60" MODULAR DESK**

60.75" w x 38" d x 30" h

Salvaged Grey 55BODHISGSMDK  
Ebony 55BODHIEBSMDK



**LARGE MODULAR DESK  
WITH RETURN DESK**

83.25" w x 92.75" d x 30" h

Salvaged Grey 55BOHDIGLDKT  
Ebony 55BOHDIELDKT



SMALL MODULAR DESK  
WITH RETURN DESK

60.75" w x 95.75" d x 30" h  
Salvaged Grey 55BOHDIGSDKT  
Ebony 55BOHDIESDKT



RETURN DESK

56.75" w x 26.5" d x 30" h  
Salvaged Grey 55BODHISGRDK  
Ebony 55BODHIEBRDK  
*Must be supported by a Large or Small Desk.*



MODULAR LATERAL FILE

38" w x 26" d x 27" h  
Salvaged Grey 55BODHISGFILE  
Ebony 55BODHIEBFILE



MODULAR FILE

22.75" w x 26" d x 27" h  
Salvaged Grey 55BODHISGFILE  
Ebony 55BODHIEBFILE



MODULAR CABINET

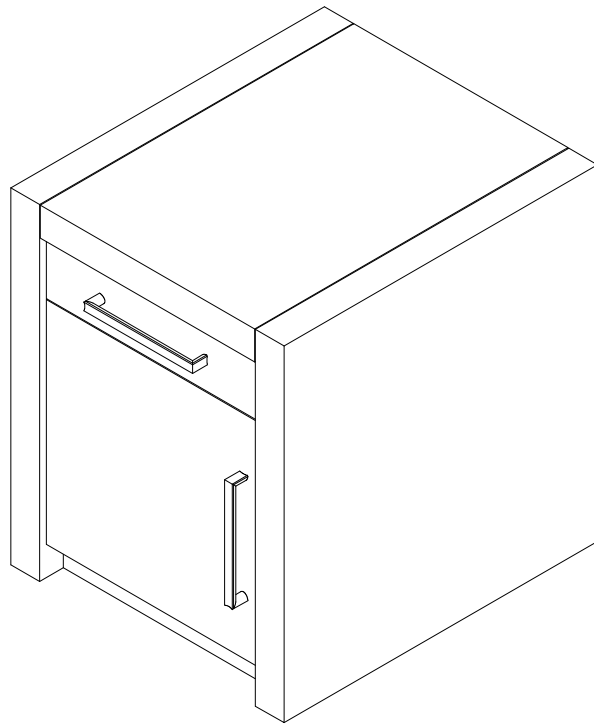
22.75" w x 26" d x 27" h

Salvaged Grey 55BODHISGCAB

Ebony 55BODHIEBCAB

# ARHAUS<sup>®</sup>

your home



## **Assembly Instruction**

**BODHI SMALL CABINET**

# ARHAUS<sup>®</sup>

your home

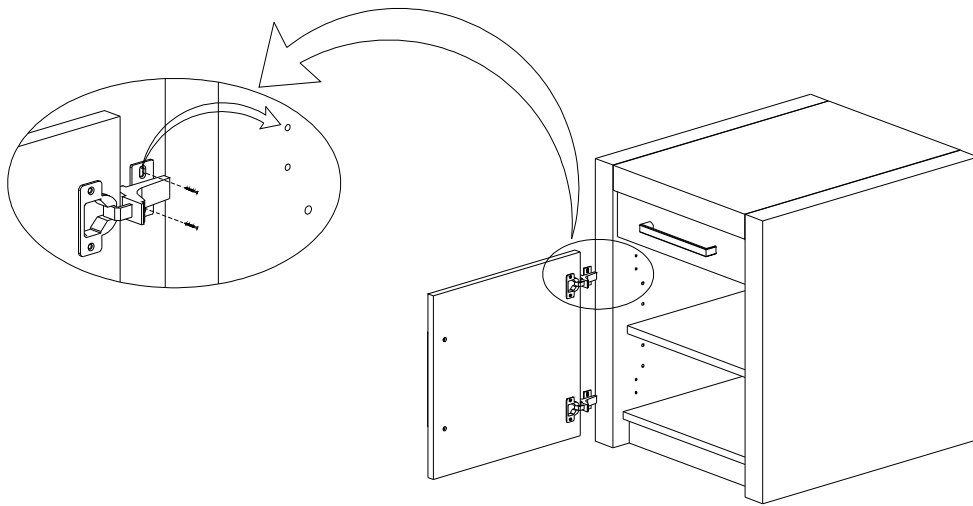
Please read all instructions carefully before starting the assembly process.  
To help prevent possible injury and or damage to the piece.

The door of this cabinet is reversible and comes in the left position. You may want to adjust according to your needs to be either left or right doors by following the below instruction.

Option 1 :

Secure the hinge with screw on the reference hole.

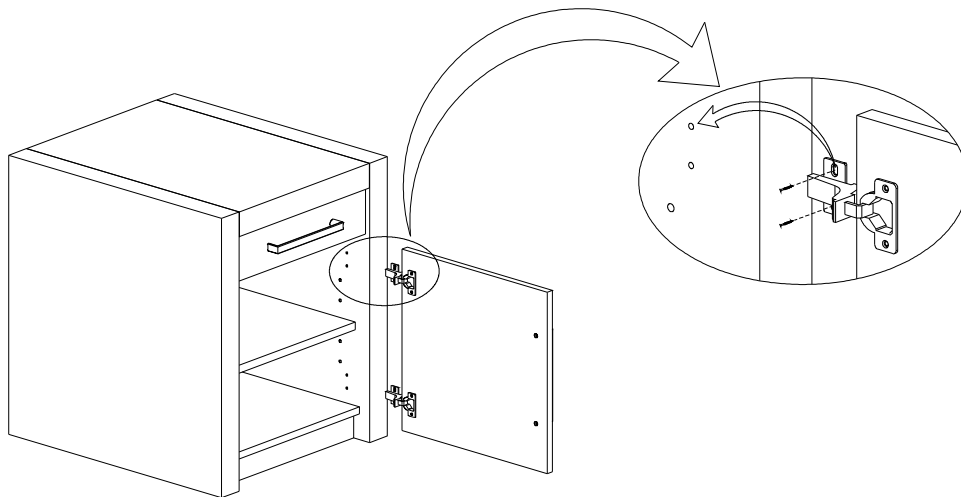
(Left door position)



Option 2 :

Secure the hinge with screw on the reference hole.

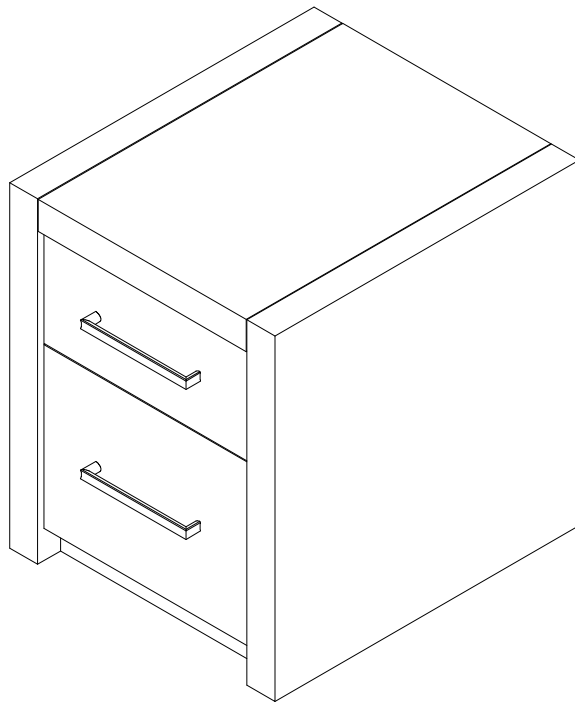
(Right door position)



**Thank You for Your Purchase**

# ARHAUS<sup>®</sup>

your home



## **Assembly Instruction**

**BODHI SMALL FILE**

# ARHAUS<sup>®</sup>

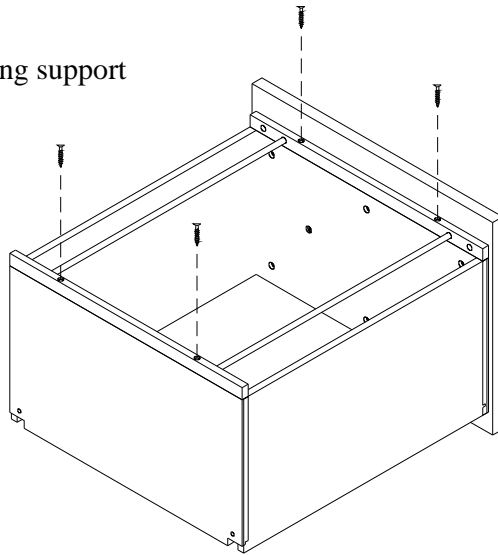
your home

Please read all instructions carefully before starting the assembly process. To help prevent possible injury and or damage to the piece.

(The hanging can be placed along the hole option)

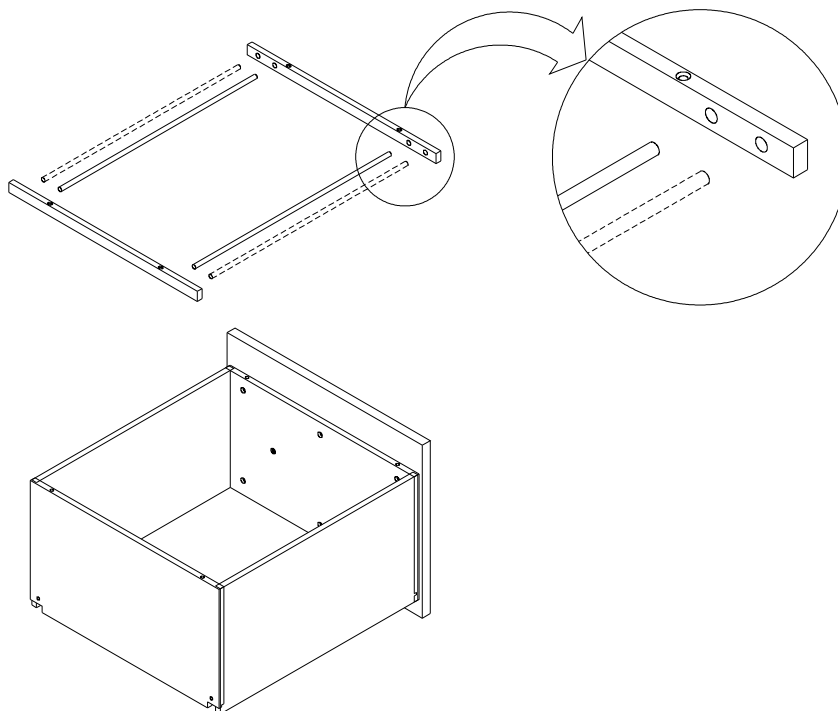
Step 1 :

Remove the screw from hanging support



Step 2 :

Remove the hanging support from box drawer and place hanging into bore hole as your preference.



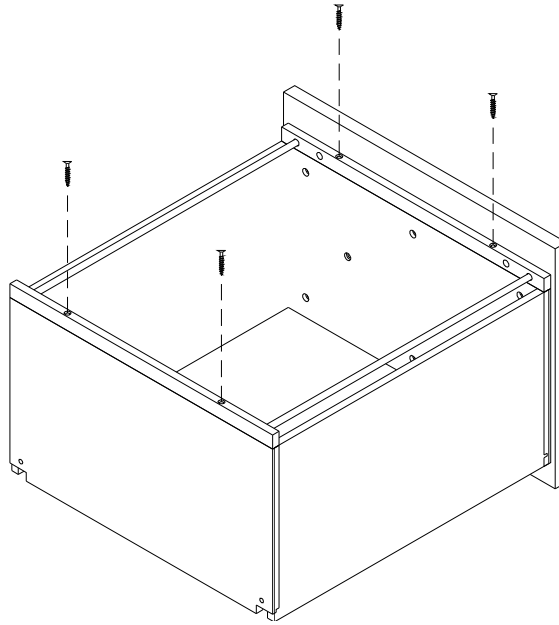


# ARHAUS<sup>®</sup>

your home

Step 3 :

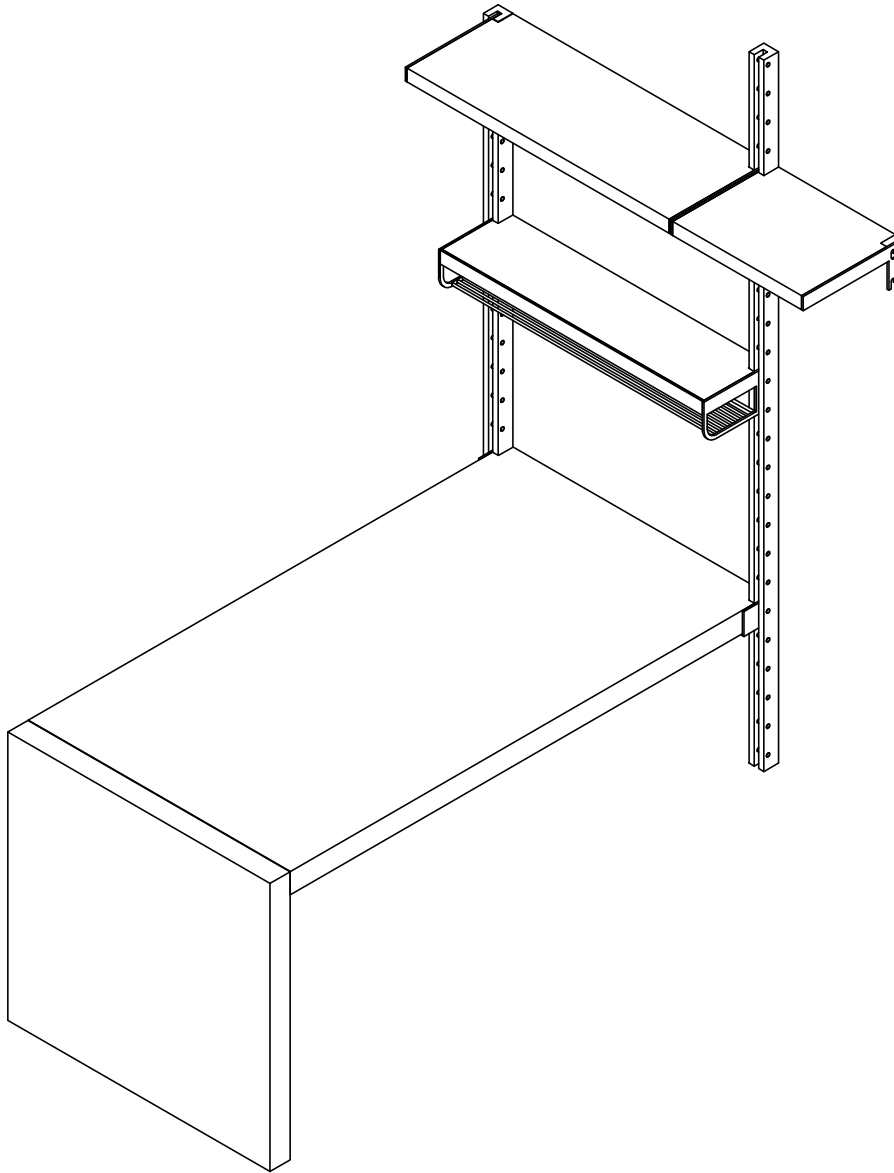
Put on the hanging support back to the box drawer and tightening the screw.



**Thank You for Your Purchase**

# ARHAUS<sup>®</sup>

your home

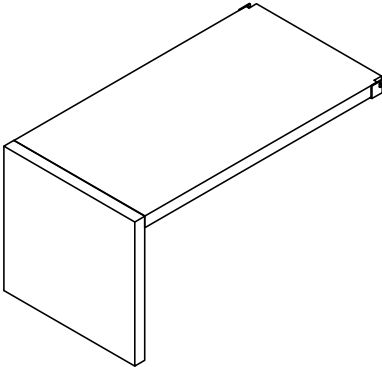
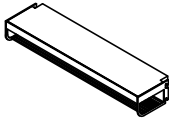
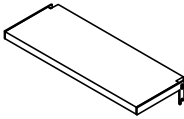
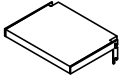
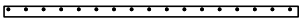



## Assembly Instruction Bodhi Modular Desk Wall Shelf

# ARHAUS<sup>®</sup>

your home

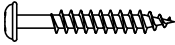

Please read all instructions carefully before starting the assembly process. Some parts are large and heavy and require AT LEAST TWO PEOPLE to assemble, to help prevent possible injury and or damage to the piece.

List Of Part & Hardware Bodhi Modular Desk Wall Shelf			
Part	Quantity	Description	Image
A	1	Modular Desk	
B	1	Modular Shelf Accessory	
C	1	Modular shelf long	
D	1	Modular Shelf short	
E	1	Wall Mounted 50"	
F	1	Wall Mounted 74"	

# ARHAUS<sup>®</sup>

your home

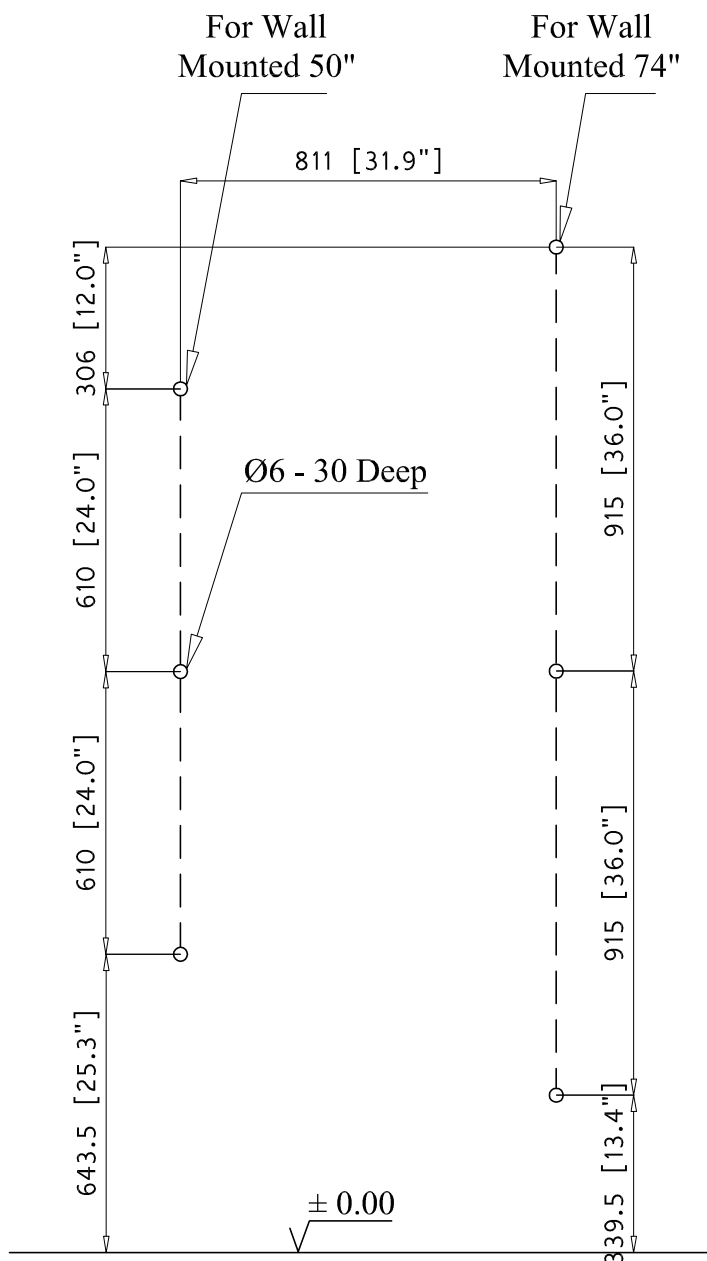
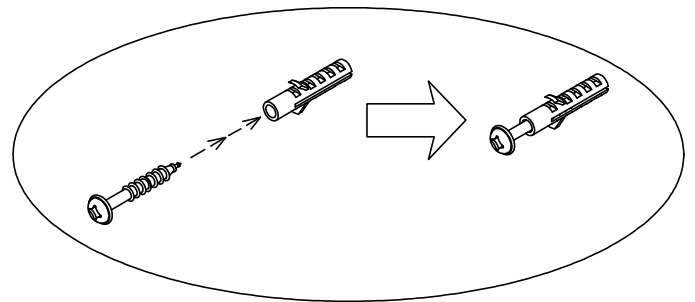
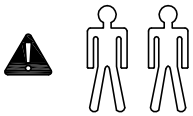
Please read all instructions carefully before starting the assembly process. Some parts are large and heavy and require AT LEAST TWO PEOPLE to assemble, to help prevent possible injury and or damage to the piece.

List Of Part & Hardware Bodhi Modular Desk Wall Shelf			
Part	Quantity	Description	Image
G	6	Screw JP 8x1-1/4"	
H	6	Fisher S6	

# ARHAUS<sup>®</sup>

your home

Please read all instructions carefully before starting the assembly process. Some parts are large and heavy and require **AT LEAST TWO PEOPLE** to assemble, to help prevent possible injury and or damage to the piece.

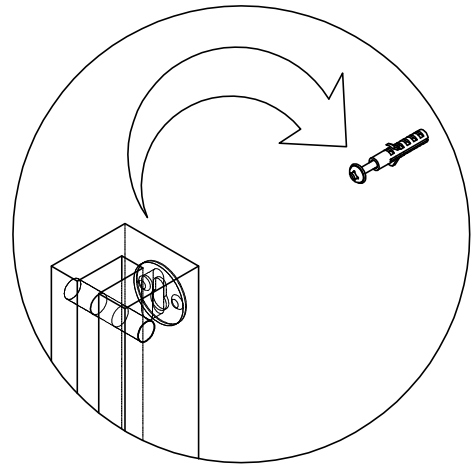
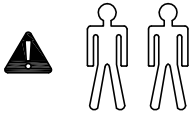


1. Attach fisher to the wall as picture. Make sure fisher and the wall flat. Plug screw into fisher and left 5mm pop up.

# ARHAUS<sup>®</sup>

your home

Please read all instructions carefully before starting the assembly process. Some parts are large and heavy and require **AT LEAST TWO PEOPLE** to assemble, to help prevent possible injury and or damage to the piece.

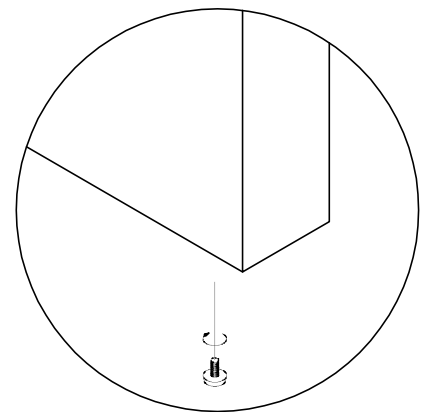
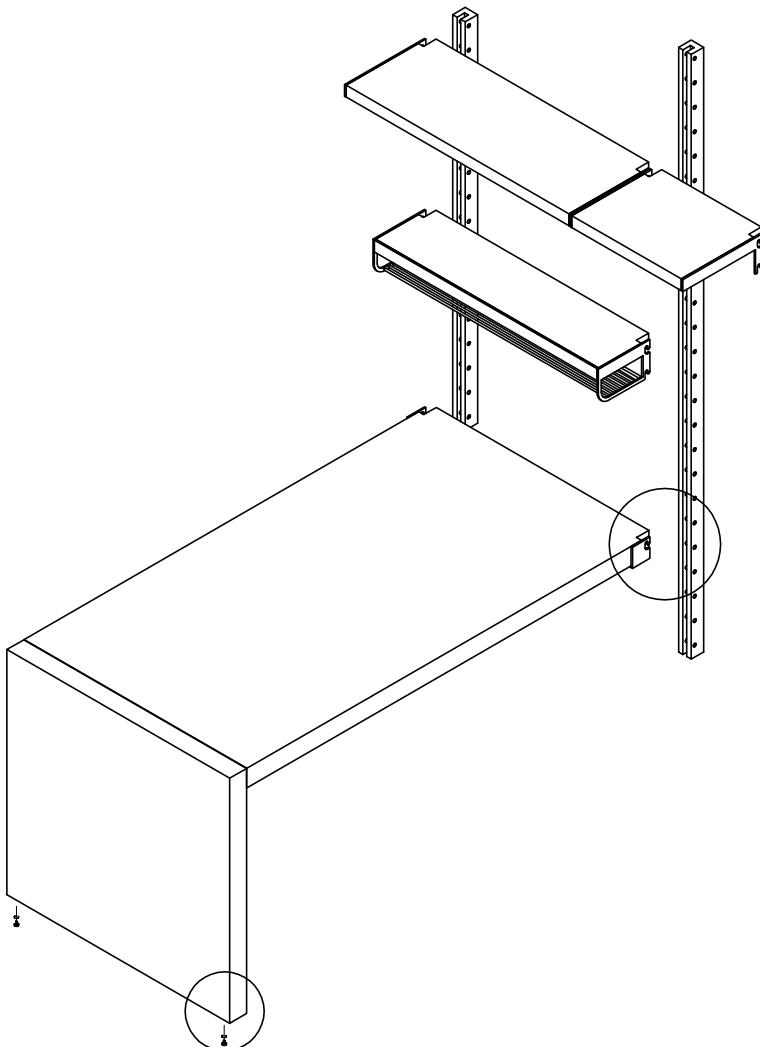
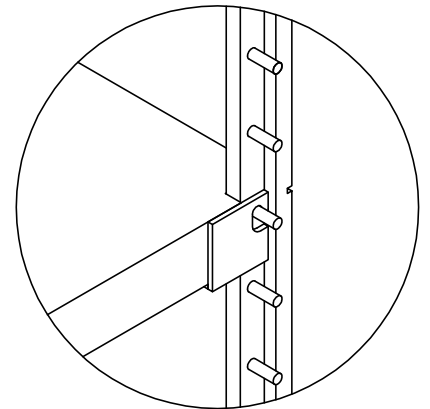
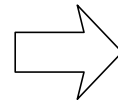
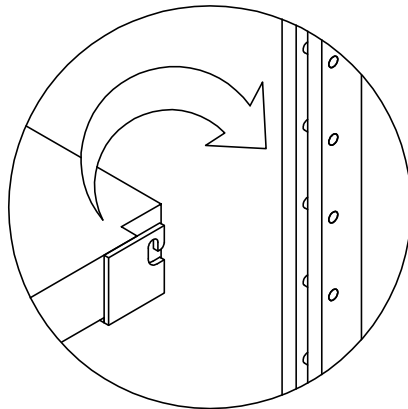
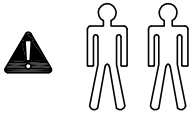


2. Connect hanging mounted wall to screw in the wall.

# ARHAUS<sup>®</sup>

your home

Please read all instructions carefully before starting the assembly process. Some parts are large and heavy and require **AT LEAST TWO PEOPLE** to assemble, to help prevent possible injury and or damage to the piece.



3. Connect metal connector shelf panel and Modular desk to the pin in mounted wall. Then, adjust position of leveler on the modular desk.

# Parts Inventory

Super Category	Product ID	Description	Stat	Collection
DESK	91BODCASTER	BODHI DESK CASTER FOR FILE AND CABINET QTY 1	A	PT-BODHI



shown in  
Dark Twilight

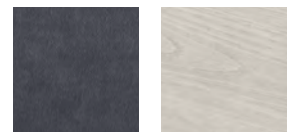


A modern classic, our Brock Office Collection's understated aesthetic features elegant lines and a deep, hand-stained finish. Ample workspace and subtle, burnished brass hardware elevate Brock's midcentury style, complementing natural ash wood with sophisticated detailing.

#### PRODUCT DETAILS

- + Our Brock Collection is handcrafted by Indonesian artisans from solid ash wood and ash veneers.
- + Finished wood is coated with clear lacquer for added protection and a subtle sheen.
- + Each desk features a leather writing surface.
- + Hideaway Desk features internal storage shelves that can be removed.
- + Executive Desk features cord management holes to keep electronic cables organized.
- + Keep your furniture looking its best. Visit [arhaus.com](https://arhaus.com) or speak to any Arhaus Design Consultant for care recommendations.

#### FINISHES:



Dark Twilight

Boulder Grey

#### NEED HELP?

Visit a store, call **866.427.4287**, or **live chat** with our Design Team to learn more.

shown in  
Dark Twilight



EXECUTIVE DESK

70" w x 30" d x 30" h

Dark Twilight 55BRCKDTEXDK  
Boulder Grey 55BRCKBGEXDK



WRITING DESK

56" w x 26" d x 30" h

Dark Twilight 55BRCKWDSK  
Boulder Grey 55BRCKGRYDSK

shown in  
Boulder Grey



HIDEAWAY DESK

42" w x 20" d x 49" h

Dark Twilight 55BRCKTWCMP  
Boulder Grey 55BRCKGRYCMP

# ARHAUS®

your home

## cedrick



### Desk Chair

24.5" w x 27.5" d x 34"-36" h  
55CEDRKSKCH

### Leather



Storia Stone

## luxuriously rustic comfort

Strong in both style and artisan-crafted quality, our handsome Cedrick Desk Chair is masterfully designed to bring sophistication and richness to your workspace. Expertly upholstered in luxurious hand-finished leather, Cedrick's channel-stitched seat is generously padded with dense foam and is sustained by a resilient, flexible suspension system designed for "sink-into" comfort and evenly dispersed support. The chair's frame is craftsman-built from reinforced hardwood and sits on a pneumatic base and brass casters, which allow you to swivel, slide, adjust, and tilt yourself into an ideal position—perfect for hours of productivity.

### product details

- ▶ Selected from the highest quality hides in the world, our artisan-crafted leathers are dyed and finished by hand to accentuate their natural colors and preserve their unique features.
- ▶ Craftsman-built chair frames are constructed using solid, reinforced hardwood for lasting strength and stability.
- ▶ Seat cushions are sustained by a flexible network of durable rubber webbing, designed for comfortable, evenly dispersed support.
- ▶ Seats and backrests are generously padded with dense foam for a snug cushion and a relaxing, "sink-into" feel.
- ▶ Chair bases feature pneumatic, gas-lift cylinder mechanisms, which allows you to tilt the chair, adjust the chair's height, and swivel to your ideal position.
- ▶ Chair legs also feature brass casters for even easier movement around your space.
- ▶ Keep your furniture looking its best. Visit [arhaus.com](http://arhaus.com) or speak to any Arhaus Design Consultant for care recommendations.





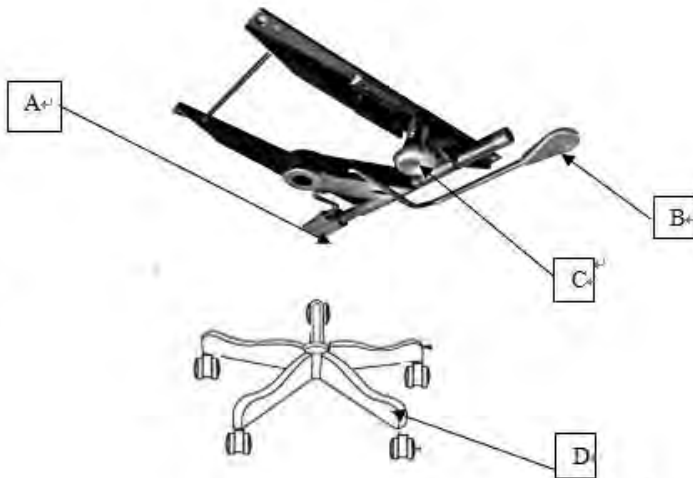
**Carefully unpack all parts and identify them with parts list and assemble the chair following the Assembly Instructions.**

**Put the chair onto a flat floor then you can sit onto and adjust the reclining and the seat height**

1. Please sit down onto the chair and use the left handle (A) to adjust the reclining of the chair, and use the right handle (B) to adjust the height of it.
2. Pull the left handle (A) out and the chair is active to recline. Get a desired tilt and release the left handle to lock it. You can lock at several different tilt angles by reclining your body.
3. Turn the right handle (B) upward to activate the cylinder for adjusting the height of the chair. Raise your body up, the seat will be lifted up to a desired height by the cylinder. To get a lower height, please sit down with the right handle (B) turning upward. Release the right handle (B) to lock the cylinder when you achieve a desired seat height.
4. Turn the knob (C) clockwise to lessen the tension and counter clockwise to tighten the tension

### Parts As Shown

- A. Left handle
- B. Right handle
- C. Tilt tension knob
- D. Base set



# ARHAUS®

your home

## divya



**3-Door Cabinet**  
63.5" w x 18.5" d x 31.5" h  
40DIVYACAB



**Writing Desk**  
62" w x 26" d x 30.5" h  
55DIVYAWD

## authentic artisan craftsmanship

Over two years in the making, in collaboration with artisans in the remote city of Udaipur, India, our Divya collection is inspired by traditional designs and authentic artistry passed down from generation to generation. These modern, handcrafted pieces feature mosaic floral motifs—hand-drawn by our designer—reminiscent of the naturally elegant jasmine found growing amongst the palaces and lakes of Udaipur. Each cabinet door or desk top takes ten days to complete, as artisans select and shape each bone by hand. As our artisans are non-violent and strict vegetarians, our bone is humanely sourced from naturally deceased water buffalo that roam the streets and countryside of India.

### product details

- ▶ Divya pieces are handcrafted by artisans in Udaipur, India. Frames are built using solid oak, oak veneers, and engineered hardwood that is painted and finished by hand.
- ▶ Bone inlays are selected, shaped, polished, and smoothed by hand, before being placed carefully, one at a time onto each surface.
- ▶ Due their hand-crafted nature, each piece features a unique combination of inlay shapes. While their overall design remains consistent, no two pieces will appear exactly the same.
- ▶ Bone used in this collection is ethically and sustainably sourced from naturally deceased water buffalo, which roam the streets and countryside of India.
- ▶ As our artisans are non-violent and strict vegetarians, each piece is constructed without conflict.
- ▶ Resin is poured over decorated surfaces, securing inlays and providing contrast to accentuate their elegant floral motifs.
- ▶ Resin surfaces are sanded and finished by hand, creating a concrete-like texture with high and low tones that contrast the warm bone and painted wood.
- ▶ Wooden surfaces are hand-painted and coated with a clear lacquer, which provides added protection and a subtle sheen.
- ▶ Desks feature three pressure-mounted drawers on side-mounted glides for convenient storage.
- ▶ Cabinets feature cord management holes to accommodate electronics and appliances.
- ▶ This collection is artisan-crafted from natural materials with hand-applied finishes. Individual pieces may vary in color, pattern, shape, and texture, making each truly unique.
- ▶ Keep your furniture looking its best. Visit [arhaus.com](https://arhaus.com) or speak to any Arhaus Design Consultant for care recommendations.



shown in  
Boulder Grey

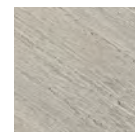


Elevate your work space with our artisan-crafted Euclid Collection. Hand-built in Indonesia from solid, sustainably sourced hardwood, each piece is artfully layered with tone and glaze to achieve chic, subtly distressed finishes. High-pressure laminate writing surfaces are designed to withstand food, chemicals, heat, and more. Drawers and shelving provide ample storage or display space accented by hand-carved detailing and antiqued metal hardware. Drafting desktops tilt upwards and adjust to a variety of angles. Executive Desk side tables telescope in and out for more working space whenever you need it.

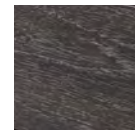
## PRODUCT DETAILS

- + This craftsman-built collection is made by Indonesian artisans from solid mindi wood and mindi wood veneers.
- + Indonesian artisans use wood certified by the Forest Stewardship Council.
- + Hand-applied finishes layer toner and glaze to create chic, subtly distressed surfaces. A top coat of clear lacquer adds protection and a subtle sheen.
- + Metal hardware features a distressed finish to complement drawers and wood frames.
- + Desks feature drafting tops that can be tilted and adjusted to a variety of angles.
- + Executive Desks include two 22" w extension tables can telescope in and out for added workspace.
- + Executive and Writing Desks feature high-pressure laminate writing surfaces designed to withstand food, chemicals, heat, and more.
- + This collection is artisan-crafted from natural materials with hand-applied finishes. Individual pieces may vary in color, pattern, shape, and texture, making each truly unique.
- + Keep your furniture looking its best. Visit [arhaus.com](https://arhaus.com) or speak to any Arhaus Design Consultant for care recommendations.

## FINISHES:



Boulder  
Grey



Ristretto

## NEED HELP?

Visit a store, call **866.427.4287**, or **live chat** with our Design Team to learn more.

# ARHAUS®

your home

# EUCLID

DESK COLLECTION | MADE IN INDONESIA

shown in  
Boulder Grey



## EXECUTIVE DRAFTING DESK

55" w x 29.5" d x 28" h; includes two 22" w extensions

Boulder Grey 55EUCBGEXDSK  
Ristretto 55EUCRIEXDSK

shown in  
Ristretto



## WRITING DESK

55" w x 29.5" d x 30" h

Boulder Grey 55EUCBGWRDSK  
Ristretto 55EUCRIWRDSK



## FILE

19" w x 25.5" d x 25.25" h

Boulder Grey 55EUCBGFILE  
Ristretto 55EUCRIFILE

# ARHAUS<sup>®</sup>

your home

# FACTORY

OFFICE COLLECTION

MADE IN INDONESIA

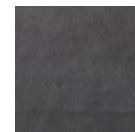


Inspired by the doors of our favorite French antique shop, our Factory Collection is crafted with contemporary style and industrial charm. Factory's expansive workspace features a leather writing surface for elevated style, and ample drawers mean plenty of storage for everyday essentials.

## PRODUCT DETAILS

- + Craftsman-built pieces are handmade by Indonesian furniture artisans from solid, sustainably sourced mahogany, ash, and mahogany veneers.
- + Solid iron hardware adds subtle rustic detail.
- + Natural wood may display small splits, knots, or other organic features that will add character to your piece without affecting its quality or performance.
- + Keep your furniture looking its best. Visit [arhaus.com](https://arhaus.com) or speak to any Arhaus Design Consultant for care recommendations.

FINISH:



Usine  
Black

## NEED HELP?

Visit a store, call **866.427.4287**, or **live chat** with our Design Team to learn more.

Dimensions may vary slightly. Please ensure furnishings fit through interior structures and into desired space before purchase.





EXECUTIVE DESK

72" w x 33" d x 30" h

55FCTEXDSKKT

*Includes cord management holes to keep electronic cables organized.*

IMAGE NOT  
AVAILABLE

RETURN DESK

71" w x 21" d x 30" h

55FCTRTDSKKT

*Includes cord management holes to keep electronic cables organized.*



WRITING DESK

57" w x 31" d x 30" h

55FCTRTDSKKT



The transitional style of our Fallyn Desk Chair is versatile enough to complement any office space. Expertly fitted upholstery in Crypton® Performance Fabric remains soft and comfortable through long work hours while standing up to everyday wear and tear, and a metal base with brushed nickel finish swivels smoothly for effortless positioning.

#### PRODUCT DETAILS

- + Crypton® Performance Fabric is Earth-friendly, recyclable, and sustainably certified, engineered with stain, odor, and moisture resistance in every fiber.
- + Craftsman-built frame made from reinforced engineered hardwood provides added strength and stability.
- + Seat and backrest are generously padded with foam for a relaxing, “sink-into” feel.
- + Metal swivel base features effortless, 360-degree rotation.
- + Keep your furniture looking its best. Visit [arhaus.com](http://arhaus.com) or speak to any Arhaus Design Consultant for care recommendations.

#### FABRIC:



Crypton®  
Nomad Snow

To craft **your style your way**, our Chatham Desk Chair Collection can also be customized with 7 finish options and over 50 fabrics including our Crypton® Performance Fabrics.

ARHAUS®  
your home

FALLYN

CHATHAM DESK CHAIR COLLECTION  
MADE IN CHINA



DESK CHAIR

25.25" w x 28" d x 33.5 – 37.5" h

Nomad Snow      55FALNSCHR

# ARHAUS®

your home

# FINNLEY

OFFICE COLLECTION

MADE IN CHINA & VIETNAM

shown in Laith Smoke



## WRITING DESK

56" w x 26" d x 30" h

Laith Smoke

55FINGRWDKKT

Dark Ebony

55FINEBWDKKT

## INVITE MIXED-MATERIAL DESIGN INTO YOUR HOME OFFICE

Our Finnley Office Collection showcases a stunning mixed-material design that invites elevated style into any office space. Hand-finished pine from Finland is complemented by white marble, accented by zinc-alloy and reeded oak detailing. The result is an eclectic-yet-chic office collection that will inspire your most productive days.

### PRODUCT DETAILS

- + This craftsman-built desk is constructed from Finnish pine, oak veneers, and a white marble top.
- + Frame features reinforced mortise-and-tenon joinery for added strength and stability.
- + Zinc-alloy finger pull hardware on the center drawer features a light brass finish.
- + Hand-stained finishes on reeded wood surfaces include a protective lacquer coating for subtle sheen.
- + Levelers on the bottom of each leg ensure the desk sits evenly on uneven floors.
- + Complete the look with our collection of other Finnley furniture and storage pieces.
- + Keep your furniture looking its best. Visit [arhaus.com](http://arhaus.com) or speak to any Arhaus Design Consultant for care recommendations.

### FINISHES:



Laith Smoke

Dark Ebony

### NEED HELP?

Visit a store, call **866.427.4287**, or **live chat** with our Design Team to learn more.

# ARHAUS®

your home

## gage



### Desk Chair

20" w x 17.5" d x 31"-35.5" h

Carbon

55GAGECARDISK

Tanner

55GAGETANDISK

Flint

55GAGEFLNDISK

### Fabrics:



Carbon



Tanner



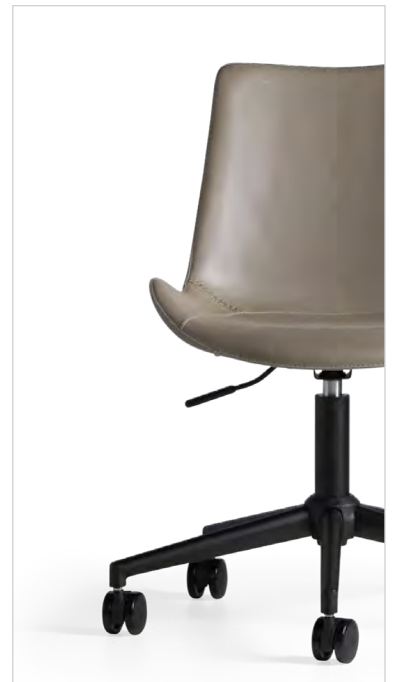
Flint

## an american icon

Contemporarily classic and undeniably chic, our Gage Desk Chair features an iconic scoop-seat silhouette accented by baseball-style stitching for an added element of Americana. Upholstered in faux leather, scoop seats are complemented by iron frames featuring uniquely textured powder-coated finishes designed to hold up to everyday wear.

### product details

- ▶ Upholstered in beautiful shades of faux leather accented by baseball stitching.
- ▶ Iron frames are powder coated for a durable, uniquely textured finish.
- ▶ Chair bases feature hydraulic lift mechanisms, which allows you to adjust the seat's height, tilt, and swivel to your ideal position.
- ▶ Keep your furniture looking its best. Visit [arhaus.com](http://arhaus.com) or speak to any Arhaus Design Consultant for care recommendations.



# ARHAUS®

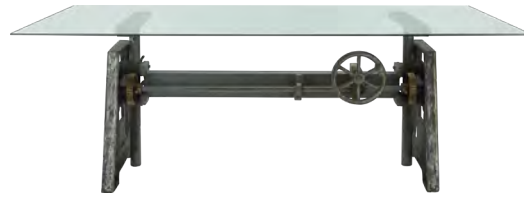
your home

## industrial crank



### 86" Desk with Large Base

Glass Top  
86" w x 40" d x 30" h (adjusts to 42" h) 55INDCRDCKKT3  
Wynn Top  
86" w x 32" d x 36" h (adjusts to 42" h) 55INDCRDLGWKT  
base measures 59.5" w x 23.5" d x 30"-42" h  
accommodates 60"-96" width and 24"-68" depth tabletops



### 68" Desk with Large Base

Glass Top  
68" w x 32" d x 30" h (adjusts to 42" h) 55INDCRDKKT6  
Wynn Top  
68" w x 32" d x 36" h (adjusts to 42" h) 55INDCRLBWTKT  
base measures 59.5" w x 23.5" d x 30"-42" h  
accommodates 60"-96" width and 24"-68" depth tabletops



### 68" Desk with Small Base

Glass Top  
68" w x 32" d x 30" h (adjusts to 42" h) 55INDCRDMSMKT3  
Wynn Top  
68" w x 32" d x 36" h (adjusts to 42" h) 55INDCRDMSMWKT  
base measures 47" w x 20" d x 30"-42" h  
accommodates 47"-84" width and 20"-60" depth tabletops



### Drafting Table

48" w x 32" d x 36"-44" h  
Mango Drafting Top 55INDCDTKT

### Top Options:



Wynn



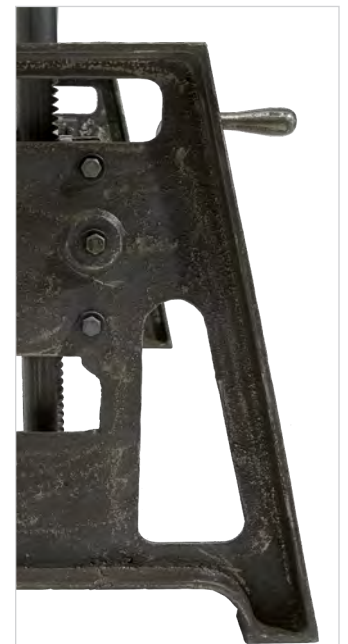
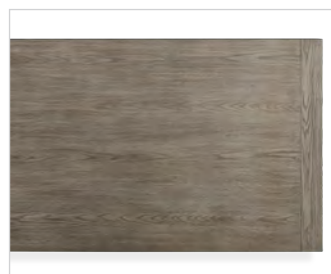
Glass

## unapologetically industrial

The iron bases of our Industrial Crank Desks are feats in engineering with their functioning wheel-and-gear mechanisms. Perfect for home offices or even dining rooms and bar areas, the heights of these marvelous, modern desks adjust to accommodate different uses and spaces. With simple glass tops—or any of the other available tabletops—these versatile work surfaces will perfectly fit into any design story.

### product details

- ▶ Desk bases are handcrafted by Indian artisans from solid cast iron.
- ▶ Functional wheel-and-gear mechanisms adjust height to accommodate any task or setting.
- ▶ Wynn tabletops are craftsman-built using white ash wood veneers.
- ▶ Wynn tabletops feature a multilayered, hand-applied Stone on Ash finish for a rustic, distressed appearance that accentuates the ash wood's natural features.
- ▶ Tempered glass tabletops rest on reclaimed wood.
- ▶ Wood supports are removable and can be attached to a wood top.
- ▶ Drafting tables include special drafting tabletops, which are craftsman-built from solid, sustainably sourced mango wood.
- ▶ Drafting tabletops feature a removable iron pencil ledge and can be tilted to any angle or laid flat as a desk surface.
- ▶ Wooden drafting tabletops are stained by hand to accentuate the wood's surface, sealed, and lacquered for added protection.
- ▶ Adjustable desks can also function as a dining table with any of our dining tabletop options.
- ▶ Crank mechanisms' weight limit is 150 lbs.
- ▶ Keep your furniture looking its best. Visit [arhaus.com](http://arhaus.com) or speak to any Arhaus Design Consultant for care recommendations.



industrial crank | desk collection | made in India

Dimensions may vary slightly. Please ensure furnishings fit through interior structures and into desired space before purchase.

# ASSEMBLY INSTRUCTIONS

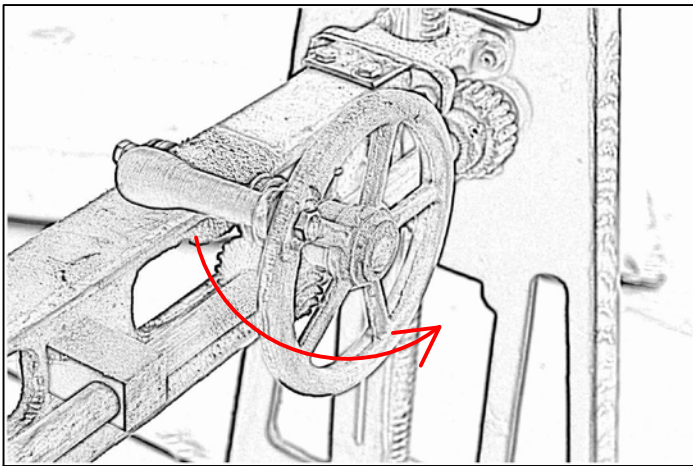
## Instructions:-

1. Unscrew the handle from inner section of the wheel using spanner as shown in image 1
2. Now fix the handle on outer section of the wheel and tighten it using spanner.
3. The table base is ready to use.

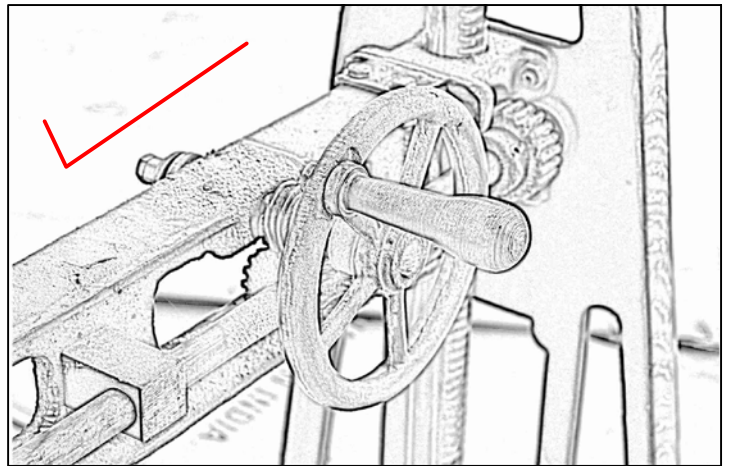
Spanner/Wrench



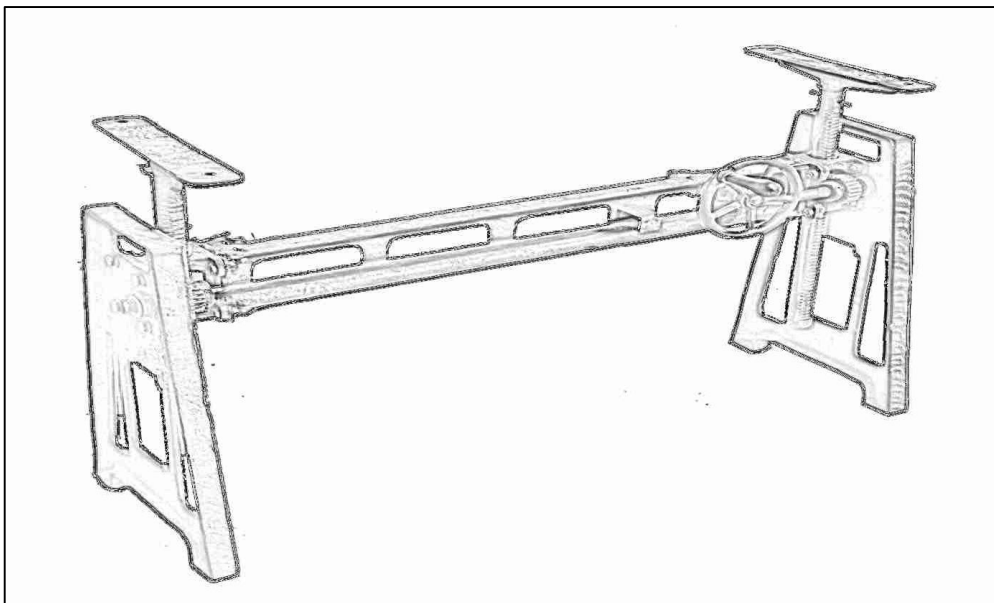
1.



2.



3.



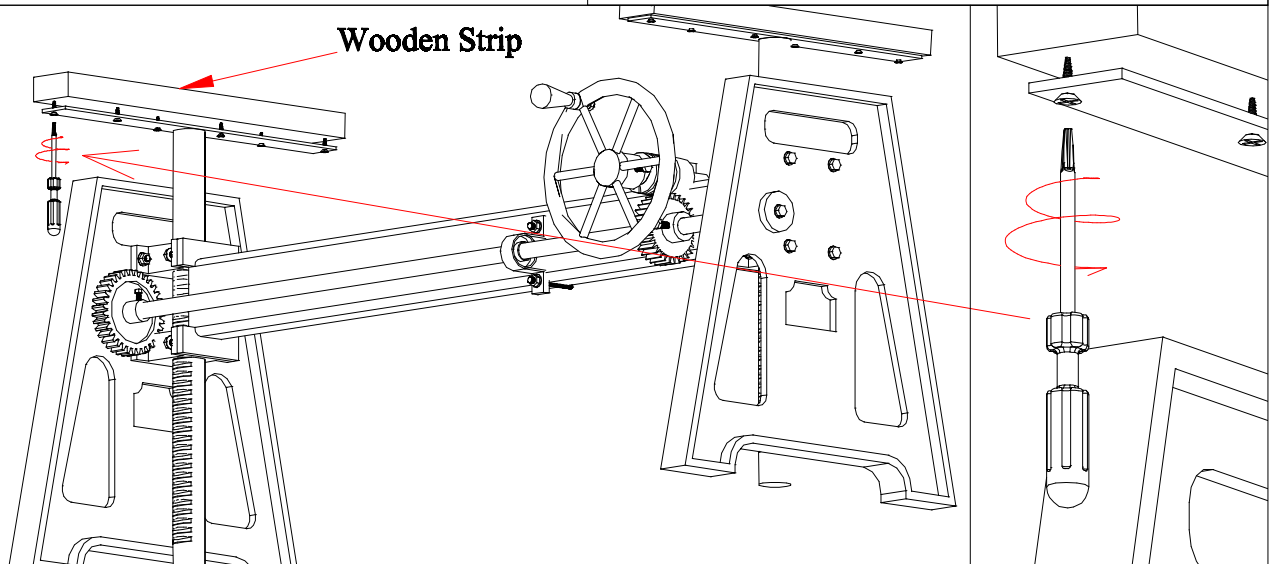
# ASSEMBLY INSTRUCTIONS

## **Instructions:-**

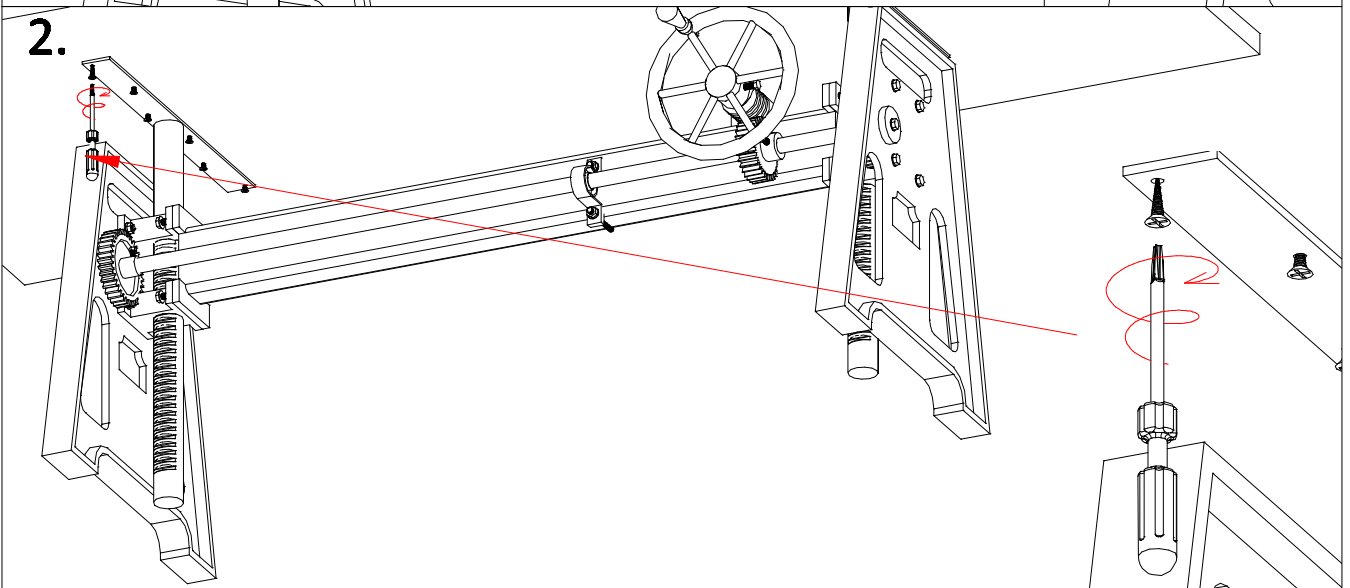
1. Untighten the screw using the Screw Driver to remove the wooden strip.
2. Place the top on the Metal Strip & Align it.
3. Tighten the screw to fix the top.
4. Table is ready to use.

**Note:- Using Screw as per top thickness.**

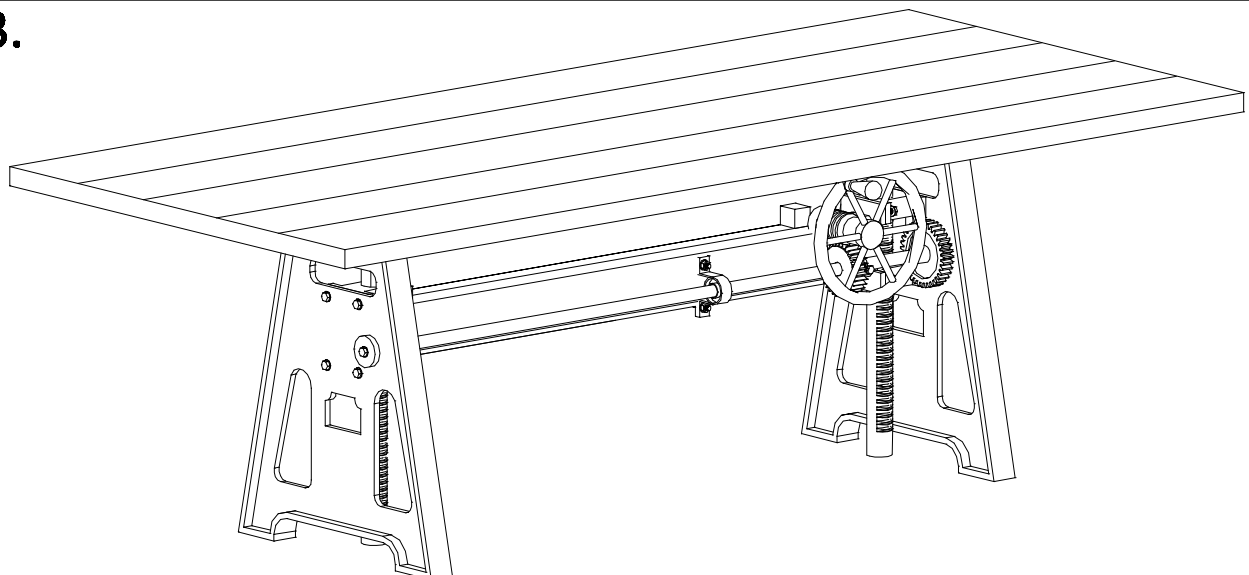
**1.**



**2.**



**3.**





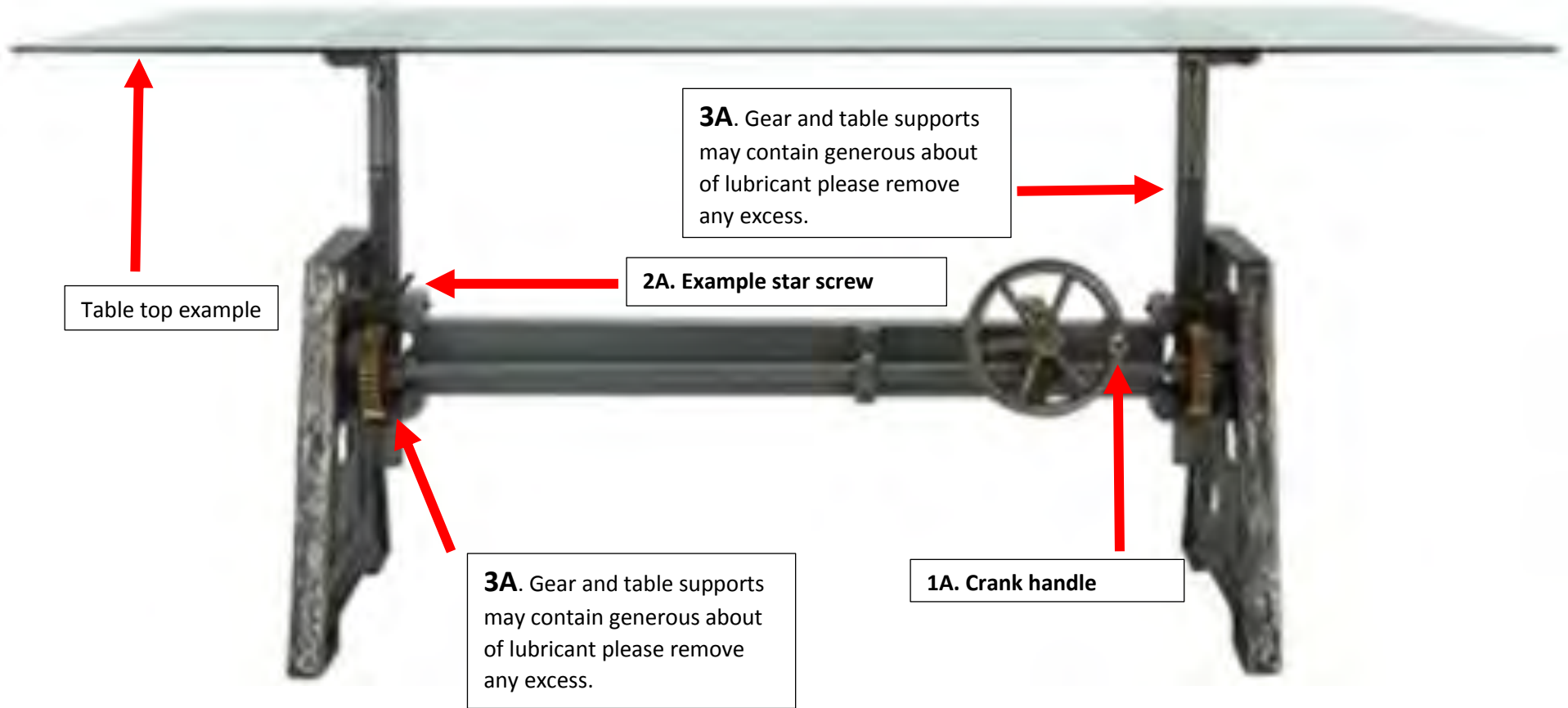
# ARHAUS®

your home



## **PRODUCT CARE**

- |   |
|---|
| <ul style="list-style-type: none"><li>• Spills should be removed immediately with a damp cloth.</li></ul>                                 |
| <ul style="list-style-type: none"><li>• Avoid exposing your furniture to excessive heat</li></ul>   |
| <ul style="list-style-type: none"><li>• Never place hot dishes on this tabletop; we recommend the use of felt-backed tablemats.</li></ul> |
| <ul style="list-style-type: none"><li>• Protect surfaces from hot and/or wet dishes/objects with coasters and table pads</li></ul>        |
| <ul style="list-style-type: none"><li>• Prolonged use of hot electrical equipment</li></ul>   |
| <ul style="list-style-type: none"><li>• Do not drag this piece(s) across the floor</li></ul>  |
| <ul style="list-style-type: none"><li>• Dropping furniture onto corners or feet will cause damage.</li></ul>                              |
| <ul style="list-style-type: none"><li>• Leaning backwards on two legs of a chair may weaken joints</li></ul>                              |
| <ul style="list-style-type: none"><li>• Toys, buckles and heels will scratch furnishings</li></ul>  |



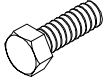
## Product Assembly

- Make sure crank handle is removed and placed on the outside of the wheel. (1A. Un-screw nut and bolt and remove handle and place front side of crank wheel.)
- There are 2 star screw on each of table top supports to stabilize. Please make sure the star screws are tightened on both sides to ensure stability of table top. (2A)
- Gears will have a generous amount lubricant please wipe away any excess (Please refer to photo 3A.)
- Be sure to check that all hardware is intact and no brakes in casting and welded screws are completely welded

# ASSEMBLY INSTRUCTIONS

## Kit Contents:-

1. Bolts - 5Pc.  
30X8 mm.



2. Washer - 5Pc.  
8 mm.



3. Spanner - 1Pc.  
12-13no.



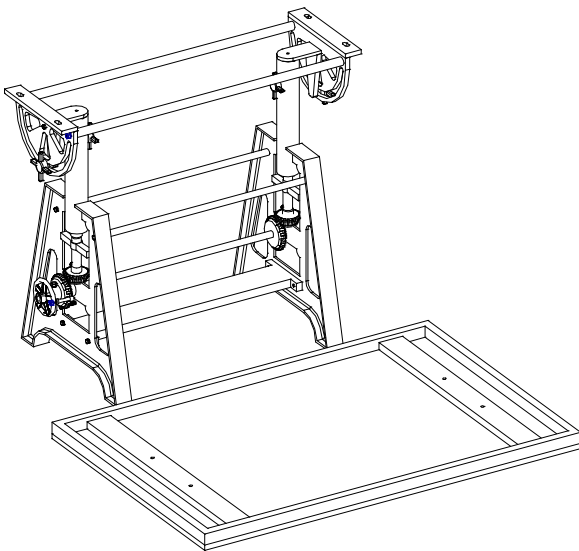
4. Spanner - 1Pc.  
14-15 no.



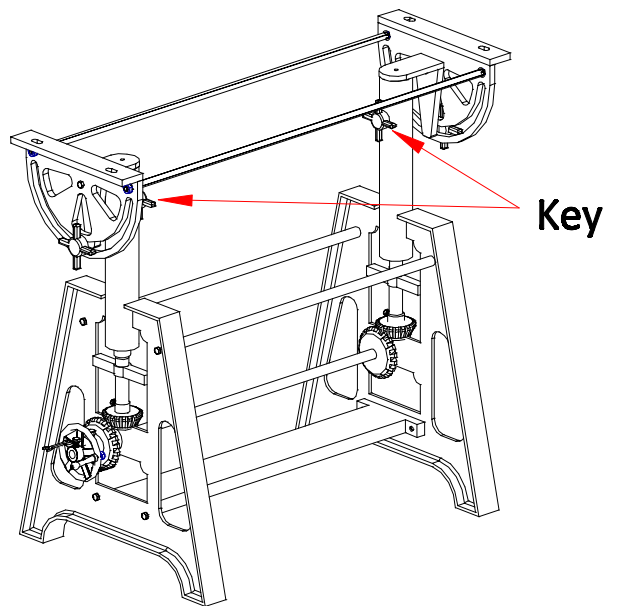
## Instructions:-

1. Lay the Drafting Desk base on a protective surface.
2. Unscrew the handle from inner section to outer. (See image 2)
3. Place the drafting top on base making sure the holes are aligned. Fix with bolt and washer tighten using spanner ( See image 3).
4. Now place the pen holder rod on top & tighten with wing bolt to making sure there is a secure fit. Do not over tighten.(See image 4)
5. The Drafting desk is ready to use.
6. ADJUSTMENT: **(A)** To raise the height of the desk loosen the key (See Image 2) and then rotate the drafting handle to get the desired height. Please make sure the keys are tighten again once the desired height is achieved. **(B)** To tilt the top, loose wing bolt & adjust the top accordingly then tighten the wing bolt again.

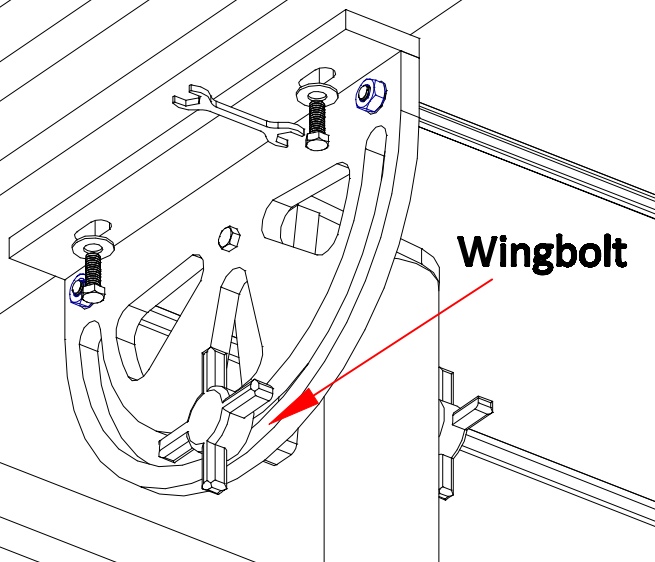
1.



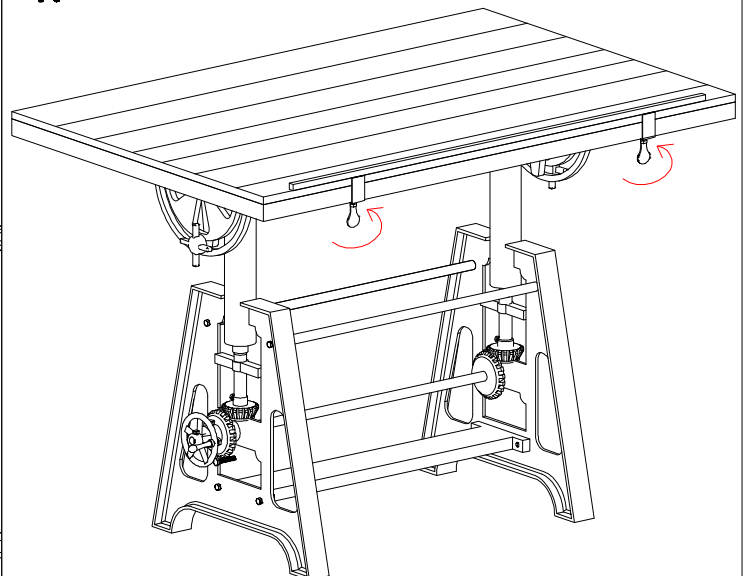
2.



3.



4.



# DESK PARTS SKUS

Super Category	Product ID	Description	Collection	Route
DESK	91INDCRSCRWS	IND CRNK BASE DECOR SCREW 55INDCRDKBS3	PT-INDCRNK	PART
DESK	91FILDT86BHDL	IND CRNK BASE HANDLE HANDLE FOR WHEEL	PT-INDCRNK	PART
DESK	91FILDT86BWHL	IND CRNK BASE WHEEL WHEEL - TO CRANK DESK	PT-INDCRNK	PART
DESK	91INDCRKHDWR	IND CRNK DRAFT TBL HRDWR KIT	PT-INDCRNK	PART
DESK	91INDPNCLHLD	IND CRNK DRAFT TBL PNCL HLDR 55INDCDTKT	PT-INDCRNK	PART
DESK	91INDCRNKLOCK	IND CRNK LOCK STARBOLT LOCK	PT-INDCRNK	PART
DESK	55INDLFRSBKT	IND CRNK RISR BRKT LFT LEFT RISER BRACKET	PT-INDCRNK	PART
DESK	55INDRTRSBKT	IND CRNK RISR BRKT RT RIGHT RISER BRACKET	PT-INDCRNK	PART

**DISCONTINUED**

ARHAUS<sup>®</sup>

your home



isla  
accent collection  
made in Asia

## reminiscent of old hollywood,

and influenced by the bold geometry of 1920s Art Deco architecture, the Isla Collection adds a touch of drama to any space. Its glamorous designs are crafted using a combination

of solid tulipwood and engineered hardwood. Distressed hardware and antiqued mirrored surfaces finished with silver leaf add a vintage touch to these otherwise timeless pieces.

### artisan finished

Many of our pieces may vary slightly in color, pattern and texture due to the nature of multi-layered finishes that are hand-applied by our craftsmen. Hand-applied finishes may include some small splits, knots, joint lines and other natural properties that will add interest without affecting performance. Materials may also display movement from season to season because of changes in temperature and humidity. We believe these variances from piece to piece only add to an individual's unique, artisan-crafted character.

### handcrafted quality

Arhaus furniture is made with great care and attention to detail. Our collections are distinctive and designed to bring pleasure to you in your home for years to come. Each piece is handcrafted, made using traditional skills and techniques, and hand-painted, distressed and finished to ensure each item becomes an heirloom in your home.

### renewable resources

Arhaus is unique in its commitment to preserving natural resources. Our Corporate Rainforest Policy states that we will not sell merchandise made of timber from the world's endangered rainforests. In all cases, the wood we use was harvested from renewable resources.

**Caution:** Overtightening hardware can cause cracking. Dimensions may vary slightly. Please ensure furnishings fit through interior structures and into desired space before purchase.

**DISCONTINUED**

ARHAUS®

your home



**Writing Desk** 55ISLAWRTDK2  
48" w x 24" d x 30" h

**File Cabinet** 55ISLAF2  
21.75" w x 20.75" d x 27.75" h

**Side Table** 45ISLANT2  
21.5" w x 15.75" d x 29.5" h

**32" Side Table** 45ISLA32NT2  
32" w x 15.75" d x 29.5" h

**Isla Table Lamp** 65594L0399  
16" w x 9" d x 30" h

**7-Drawer Accent Chest** 45ISLA7DR  
66" w x 20" d x 37" h

**3-Drawer Accent Chest** 45ISLACHST2  
42" w x 19" d x 34.5" h

**2-Over-4 Accent Chest** 45ISLA242  
41.75" w x 19" d x 50.5" h

**Jewelry Chest** 45ISLAJWLBX  
18" w x 14" d x 45" h

## product details

- ▶ All mirrored surfaces are antiqued with a silver leaf finish.
- ▶ Frames are crafted from solid tulipwood and engineered hardwood with chamfered corners and tapered legs.
- ▶ Drawers have hand-painted interiors and will vary from piece to piece.
- ▶ Drawers are accented with antiqued drawer pulls and have full-extension metal glides.
- ▶ The Writing Desk is finished on all sides and features five drawers.
- ▶ The File Cabinet's file drawer is adjustable to legal and letter size paperwork and includes metal rods for hanging folders.
- ▶ The Table Lamp has an antiqued, mirrored metal base, a linen shade and a 3-way switch.
- ▶ The Table Lamp takes one 100-watt max bulb (not included). We recommend an energy saving LED light bulb. Use CFL bulb for Title 20 compliance. UL Listed.
- ▶ Finishes are durable enough to withstand daily use; but, as with all fine, wood finishes, should be protected from heat and moisture.
- ▶ Handcrafted wood surfaces are easily maintained with soap and water. Non-wax Guardsman® Wood Polish can be used as needed.

## recommended care

- ▶ Dust with a soft, dry cloth.
- ▶ Avoid sunlight and heat, which could cause cracking or fading.
- ▶ Do not use care products that contain ammonia or silicone.
- ▶ Use coasters, trivets and felt pads to preserve the finish.
- ▶ Never place hot dishes on surfaces; use felt-backed placemats.
- ▶ Prolonged use of hot electrical equipment may also cause scorching.

**DISCONTINUED**

ARHAUS®

your home



Writing Desk



File Cabinet



Side Table



32" Side Table



Table Lamp



7 Drawer Hall Chest



3 Drawer Accent Chest



2 Over 4 Hall Chest



Jewelry Chest

| shown in Charcoal



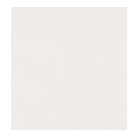
## HANDCRAFTED BY INDONESIAN ARTISANS

our sleek Jagger Desk Chair complements solid mahogany with metal finished in Antique Brass. Hand-stained, deep, black wood contrasts the metal spider base, creating an elevated, modern aesthetic, and hand-sewn upholstery in our stunning performance fabric stands up to every day.

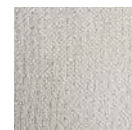
### PRODUCT DETAILS

- + Hand-applied finishes are sealed with clear lacquer for added protection and subtle sheen.
- + Brass-finished metal accents are stained and sealed for added detail.
- + Crypton® Performance Fabrics are soft yet durable and easy to clean, with stain-, odor-, and moisture resistance in every fiber.
- + Crypton fabrics are Earth-friendly, recyclable, and sustainably certified—free of harsh chemicals and halogenated flame retardants.
- + Metal, spider, swivel base allows for smooth positioning.
- + Keep your furniture looking its best. Visit [arhaus.com](https://arhaus.com) or speak to any Arhaus Design Consultant for care recommendations.

### PERFORMANCE FABRICS:



Crypton®  
Downy Snow



Crypton®  
Downy Linen



Crypton® Downy  
Charcoal

### NEED HELP?

Visit a store, call **866.427.4287**, or **live chat** with our Design Team to learn more.





DESK CHAIR

20" w x 20.5" d X 29.5" h

Downy Snow

55JGRCHARLCHR

Downy Linen

55JGRCHARLCHR

Downy Charcoal

55JGRCHARLCHR

# ARHAUS®

your home

## jayna



**Desk Chair**  
33.5" w x 30.5" d x 44.25"-46.25" h  
55JAYNADCH

## with a modern executive aesthetic

our chic Jayna desk chair features a plushly padded, channel-tufted backrest, generous cushion, and curved arms—creating a confidently sophisticated style and exceptional comfort for your home workspace. Contemporary leather upholstery—dyed in a neutral two-tone blue—features stunning color variations, resulting in an almost cloud-like effect that adds depth and richness to this already luxurious seat.

### product details

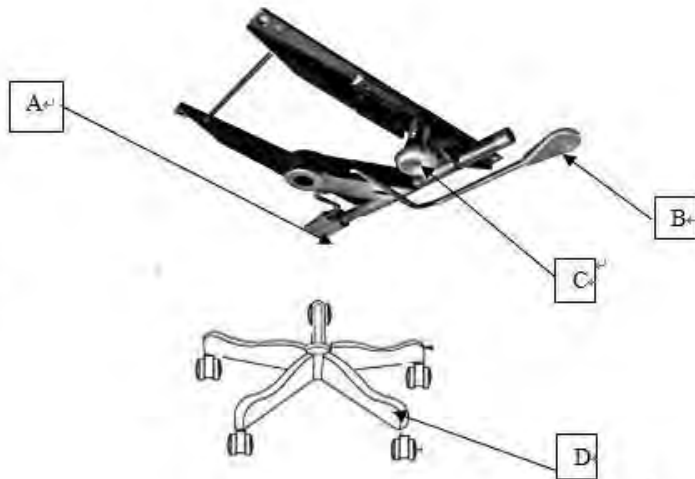
- ▶ Craftsman-built frames are constructed using solid, reinforced hardwood for superior stability.
- ▶ Plushly upholstered, channel-tufted backrests, seat cushions, and curved arms are generously padded for exceptional comfort.
- ▶ Easy Street Sky matte-finished leather is artfully dyed a neutral, two-tone blue, featuring stunning color variations that create a rich, almost cloud-like effect.
- ▶ Metal chair bases features a complementary finish and rest on casters for easy movement.
- ▶ Pneumatic, gas lift cylinder mechanisms allow you to adjust height, tilt and swivel to your ideal position.
- ▶ Keep your furniture looking its best. Visit [arhaus.com](https://arhaus.com) or speak to any Arhaus Design Consultant for care recommendations.



**Carefully unpack all parts and identify them with parts list and assemble the chair following the Assembly Instructions.**

**Put the chair onto a flat floor then you can sit onto and adjust the reclining and the seat height**

1. Please sit down onto the chair and use the left handle (A) to adjust the reclining of the chair, and use the right handle (B) to adjust the height of it.
2. Pull the left handle (A) out and the chair is active to recline .Get a desired tilt and release the left handle to lock it. You can lock at several different tilt angles by reclining your body.
3. Turn the right handle (B) upward to activate the cylinder for adjusting the height of the chair. Raise your body up, the seat will be lifted up to a desired height by the cylinder. To get a lower height, please sit down with the right handle (B) turning upward. Release the right handle (B) to lock the cylinder when you achieve a desired seat height.
4. Turn the knob(C) clockwise to lessen the tension and counter clockwise to tighten the tension

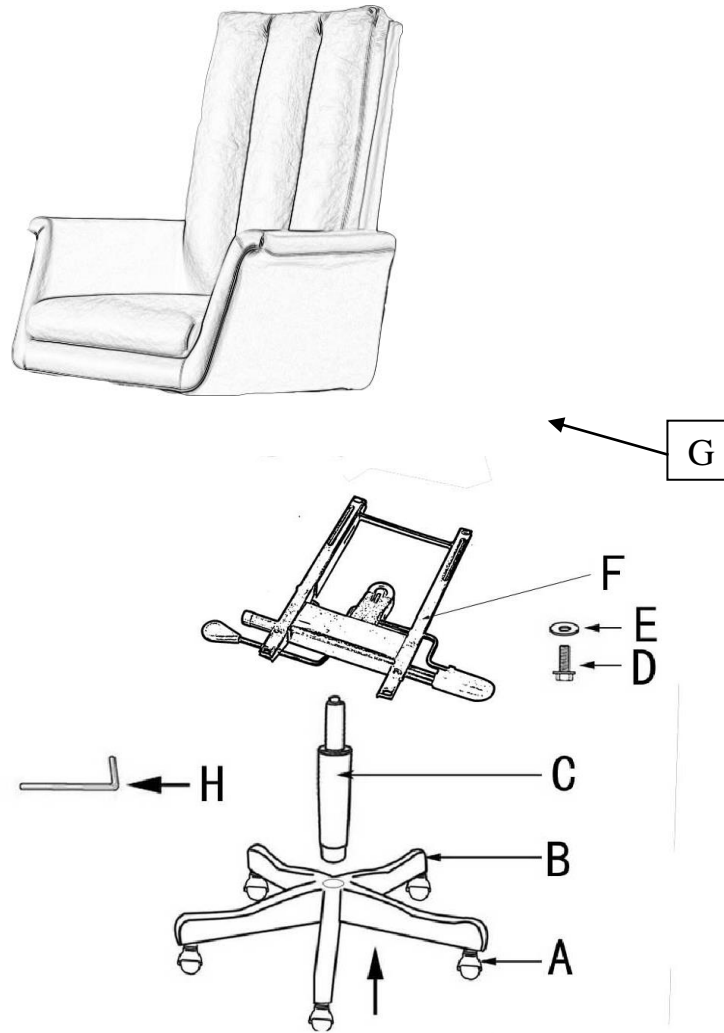


### Parts As Shown

- A. Left handle
- B. Right handle
- C. Tilt tension knob
- D. Base set

Carefully unpack all parts and identify them with parts list before attempting to assemble the chair.

**IMPORTANT: DO NOT TIGHTEN BOLTS AND SCREWS FULLY UNTIL YOU HAVE COMPLETED THE FINAL ASSEMBLY.**



1. Put 5 CASTERS (A) into the holes of 5 STAR BASE (B).
2. Insert GAS LIFT (C) to the center hole top of 5 STAR BASE (B).
3. Attach MECHANISM (F) to the BODY SEATER (G) by SCREWS (D) with FLAT WASHERS (E).
4. Insert the gas lift into the pre-assembled BODY SEATER to finish the final assembly.
5. Be sure that all the screws are fully tightened before using.

## Parts List

A.	CASTERS	5
B.	5 STAR BASE	1
C.	GAS LIFT	1
D.	SCREWS (5/16"X1½")	5
E.	FLAT WASHERS	5
F.	MECHANISM	1
G.	BODY SEATER	1
H.	ALLEN KEY	2



DESK CHAIR

20.5" w x 27.5" d x 32" h  
55KROYDSKCHR

Inspired by iconic midcentury styles, our Kroy Desk Chair showcases a bold silhouette benchmarked from solid oak accentuated by an artisan-distressed, hand-stained finish. An upholstered seat covered in 100% natural linen and a handwoven cane backrest bring welcoming comfort to any workspace.

PRODUCT DETAILS

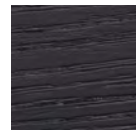
- + Finished surfaces are coated with lacquer for added protection and subtle sheen.
- + Seat measures 18.5" h; Arm measures 25.5" h.
- + Swivel base and caster wheels allow for easy, effortless movement.
- + Keep your furniture looking its best. Visit [arhaus.com](https://arhaus.com) or speak to any Arhaus Design Consultant for care recommendations.

FABRIC:

FINISH:



Linen Natural



Black Drifted

NEED HELP?

Visit a store, call **866.427.4287**, or **live chat** with our Design Team to learn more.

shown in  
Indigo Linen



DESK CHAIR

21.75" w x 26.5" d x 31"-34.75" h

Indigo Linen	55LAINLINDCH
Faux Grey Leather	55LAINGRYDCH
Crypton® Nomad Snow	55LAINSNOWDC

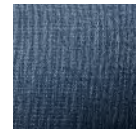
AN UPDATE TO CLASSIC STYLE

Our Lain desk chair features a slimmed-down, barrel-chair design that will elevate your workspace and home office aesthetic. Chair frames are expertly crafted from cross-directional hardwood laminate and upholstered in faux leather or chic fabrics, including our incredible Crypton® Home Performance Fabric. Adjust your chair to the ideal position with the hydraulic lift mechanism for ultimate comfort throughout the workday.

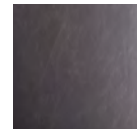
PRODUCT DETAILS

- + Frames are craftsman-built with cross-directional hardwood laminate certified by the Sustainable Forestry Initiative.
- + Easy-to-clean and soft yet durable, our Crypton® Nomad Snow Home Performance Fabric is engineered with stain-, odor-, and moisture-resistant technology in every fiber.
- + Metal chair bases feature a brushed nickel finish.
- + Hydraulic lift mechanisms ensure chairs can tilt and swivel to any desired position.
- + Chair height adjusts from 31"-34.75" h.
- + Keep your furniture looking its best. Visit [arhaus.com](http://arhaus.com) or speak to any Arhaus Design Consultant for care recommendations.

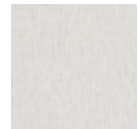
FABRICS:



Indigo Linen



Faux Grey  
Leather



Crypton®  
Nomad Snow

CRAFT A CUSTOM LOOK

This collection is available in customizable **Fabrics**, including our **Crypton® Performance Fabrics**.

Visit a store, call **866.427.4287**, or **live chat** with our Design Team to learn more.



## MADE FROM RARE, RECLAIMED SPALTED OAK WOOD

Our Leandro Writing Desk adds a stunning workspace to any home office. Elegant organic details are accentuated by a naturally sun-bleached finish designed to bring out the wood's unique graining, colors, and textures.

### PRODUCT DETAILS

- + Craftsman-built from solid reclaimed spalted oak wood, and oak veneers.
- + Minimal, naturally sun-bleached finish enhances the wood's organically weathered appearance.
- + Finished surfaces are coated with clear acrylic for added protection.
- + Gaps in reclaimed wood are filled with epoxy resin and sanded, resulting in a smooth, consistent surface.
- + Keep your furniture looking its best. Visit [arhaus.com](https://arhaus.com) or speak to any Arhaus Design Consultant for care recommendations.

### NEED HELP?

Visit a store, call **866.427.4287**, or **live chat** with our Design Team to learn more.



WRITING DESK

62" w x 27" d x 30" h

55LEANDRODK2



DESK CHAIR

27.25" w x 27.25" d x 42.25"-44.25" h  
Nomad Slate 55LYNBSLTECH  
Nomad Snow 55LYNBSNOWCH



WHEN A SCULPTED SILHOUETTE MEETS INCREDIBLE CRYPTON®  
HOME PERFORMANCE FABRIC

Our Lynbrook Desk Chair takes shape. Lynbrook's contemporary lines and plush upholstery will surround you in comfort, while its adjustable seat, caster wheels, and mechanisms for tilting and swiveling offer endless functionality.

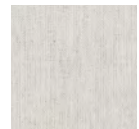
PRODUCT DETAILS

- + Our Crypton® Nomad Slate and Nomad Snow Home Performance Fabrics are engineered with stain, odor, and moisture resistance in every fiber.
- + Craftsman-built frame is constructed from solid, reinforced hardwood for superior stability.
- + Metal base features a matte black finish for a modern look, as well as caster wheels and hydraulic lift mechanisms for tilting, swiveling, and adjusting your seat's height from 42.25" to 44.25".
- + Keep your furniture looking its best. Visit [arhaus.com](http://arhaus.com) or speak to any Arhaus Design Consultant for care recommendations.

FABRICS:



Crypton®  
Nomad Slate



Crypton®  
Nomad Snow

NEED HELP?

Visit a store, call **866.427.4287**, or **live chat** with our Design Team to learn more.

shown in Bone



OVAL WRITING DESK

48" w x 28" d x 30" h

Bone 55MALONEBOV  
Sparrow 55MALONESOV  
Caramel 55MALCMOVDISK  
Manta 55MALMNOVDISK

shown in Manta



EXECUTIVE DESK

72" w x 30" d x 30" h

Bone 55MALBNEXDSK  
Sparrow 55MALSPEXDSK  
Caramel 55MALCMEXDSK  
Manta 55MALMNEXDSK

SOPHISTICATED SHAGREEN

Featuring a sleek aesthetic, our Malone Collection is artisan-crafted from solid parawood or oak wood—depending on your preferred finish—and surfaced with walnut or elm wood veneers. Insets made from reconstituted leather embossed with a shagreen pattern are complemented by hand-applied finishes to give this collection a modern look with intriguing textural details. Channel-set designs, low-profile silhouettes, and warm brass or pewter accents will elevate your home office to a new level of refinement.

PRODUCT DETAILS

- + Desks finished in Sparrow and Caramel feature craftsman-built frames made from solid parawood surfaced with walnut wood veneers.
- + Pieces finished in Bone and Manta feature craftsman-built frames made from solid oak wood with elm wood veneers.
- + Desk bases are made from steel and feature a warm brass finish.
- + Reconstituted faux leather insets are dyed and artfully embossed with textural shagreen detailing.
- + Wood finishes are hand-stained and coated with lacquer for added protection.
- + Warm, brass- or pewter-finished accents complement wood and leather surfaces.
- + Drawers are built using English dovetail joinery and sit on under-mounted, soft-close glides.
- + Keep your furniture looking its best. Visit [arhaus.com](http://arhaus.com) or speak to any Arhaus Design Consultant for care recommendations.

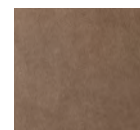
FINISHES:



Sparrow



Bone



Caramel



Manta



**MARTELLO**  
desk collection  
made in ASIA

## Small details make a big impact on your home office.

The Martello leather desk chair is expertly fitted in smooth, rich leather. Even the arms are completely covered. The entire frame of the chair is punctuated with hand-applied nailheads to accent its

silhouette. Beautiful and functional—this chair adjusts in height, swivels and tilts.

### NATURAL WOOD

Each piece will have slightly different shading and grain patterns and due to the nature of a multi-layered finish that is hand-applied by our craftsmen, there will be variation from piece to piece. Some small splits may occur, but will only add to the character. Knots and joint lines are a natural property and add interest but without affecting performance. All natural wood will display movement from season to season because of changes in temperature and humidity.

### HANDCRAFTED QUALITY

Arhaus furniture is made with great care and attention to detail. Our collections are distinctive, designed to bring pleasure to you in your home for years to come. Each piece is handcrafted, made using traditional skills and techniques, and hand-painted, distressed and finished to ensure each item becomes an heirloom in your home.

### RENEWABLE RESOURCES

Arhaus is unique in our commitment to preserving natural resources. Our Corporate Rainforest Policy states that we will not sell merchandise made of timber from the world's endangered rainforests. In all cases, the wood was harvested from renewable resources.

All dimensions can vary slightly due to the hand-built nature of our furniture.



Imperial Regal



Sarzana Castle



**Desk Chair**

25" w x 28.5" d x 35.5" h  
(height fully extends to 38" h)

**Imperial Regal** 55MARBRCH

**Sarzana Castle** 55MARGRCH

**product details**

- ▶ Expertly fitted in rich leather, the entire chair is outlined in nailheads, all applied by hand.
- ▶ The Martello in Imperial Regal is a rich warm brown featuring natural nailheads.
- ▶ The Martello in Sarzana Castle chair is a dark grey featuring brushed nickel nailheads.
- ▶ The base is made of poplar and finished with soft lacquer for protection.
- ▶ Constructed with corner blocks for ongoing strength and support.
- ▶ Features Pirelli webbing in the seat, and 2.0 density foam in the seat and back for durability and extra comfort.

- ▶ Brass casters on leg base.
- ▶ A pneumatic gas lift cylinder mechanism allows you to tilt the chair and swivel.

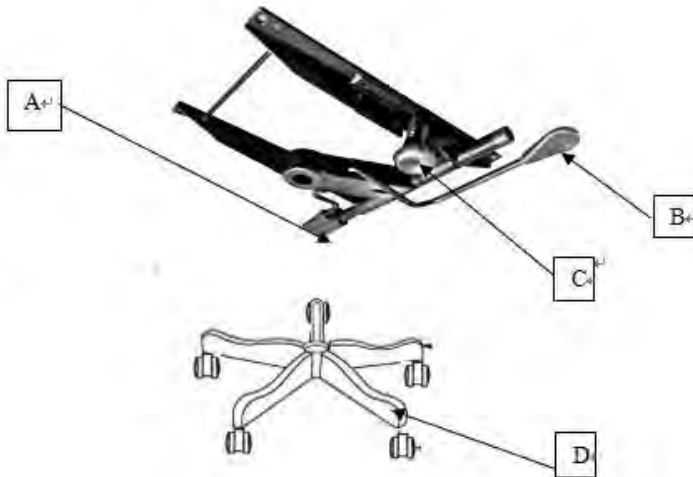
**recommended care**

- ▶ Avoid exposing furniture to excessive heat or sunlight, as this can cause cracking and discoloration.
- ▶ Using distilled water, wipe occasionally with a damp cloth to preserve the leather.
- ▶ Wipe the caster base with a damp cloth and dry completely.
- ▶ Dust legs with a soft cloth and use Guardsman® Wood Polish occasionally.

**Carefully unpack all parts and identify them with parts list and assemble the chair following the Assembly Instructions.**

**Put the chair onto a flat floor then you can sit onto and adjust the reclining and the seat height**

1. Please sit down onto the chair and use the left handle (A) to adjust the reclining of the chair, and use the right handle (B) to adjust the height of it.
2. Pull the left handle (A) out and the chair is active to recline. Get a desired tilt and release the left handle to lock it. You can lock at several different tilt angles by reclining your body.
3. Turn the right handle (B) upward to activate the cylinder for adjusting the height of the chair. Raise your body up, the seat will be lifted up to a desired height by the cylinder. To get a lower height, please sit down with the right handle (B) turning upward. Release the right handle (B) to lock the cylinder when you achieve a desired seat height.
4. Turn the knob (C) clockwise to lessen the tension and counter clockwise to tighten the tension



### Parts As Shown

- A. Left handle
- B. Right handle
- C. Tilt tension knob
- D. Base set

# DESK PARTS SKUS

Super Category	Product ID	Description	Collection	Route
DESK	55MARTCAST	MARTELLO DSK CHR CASTOR	PT-MARTLLO	PART
DESK	91MARTCAST	MARTELLO DSK CHR CASTOR	PT-MARTLLO	PART

# ARHAUS®

your home

## mila



### Desk Chair

25" w x 26" d x 34" h

Jazzy Ink

Jazzy Oyster

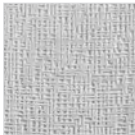
55MILAINK

55MILAOYSTER

### Fabrics:



Jazzy Ink



Jazzy Oyster

## a fresh perspective

A contemporary meets mid-century design to accentuate your décor while providing a productive work space, our Mila desk chair makes a powerful statement. Textural fabrics are easily dressed up or dressed down to match your office aesthetic, while the solid iron swivel base grounds your seat with a classic, durable, powder-coated finish. Perfect for writing desks, this unique chair will provide the support you need to tackle your next project in comfort.

### product details

- ▶ Craftsman-built Mila desk chairs are constructed with solid pine frames, reinforced for a sturdy, reliable seat.
- ▶ Iron chair bases feature a powder-coated finish for a protective and durable finish.
- ▶ Swivel mechanisms allow 360 degree rotation to allow an easy transition to your ideal orientation.
- ▶ Keep your furniture looking its best. Visit [arhaus.com](http://arhaus.com) or speak to any Arhaus Design Consultant for care recommendations.





Sophisticated style meets exceptionally inviting comfort in our Nyles Swivel Chair. A generously cushioned seat lined in plush shearling is paired with a rich leather exterior. A metal spider base in a versatile black finish grounds Nyle's modern design in any space, and a smooth swivel allows for easy positioning.

#### PRODUCT DETAILS

- + Frame support system features flexible elastic webbing.
- + Seat cushions contain dense foam made from partially plant-based material, padded with poly fiber and a blend of sterilized down and feathers.
- + Backrests are filled with a plush blend of poly fiber, sterilized down, and feathers,
- + and back frame system is supported by flexible elastic webbing.
- + Spider swivel base allows 360-degree rotation.
- + Keep your furniture looking its best. Visit [arhaus.com](https://arhaus.com) or speak to any Arhaus Design Consultant for care recommendations.

#### NEED HELP?

Visit a store, call **866.427.4287**, or **live chat** with our Design Team to learn more.





SWIVEL CHAIR

30" w x 26" d x 31" h

Charcoal on Black

55NYLEBCHR2

White on Saddle

55NYLEWCHAIR



# ARHAUS®

your home

# PALMER

DESK COLLECTION | MADE IN INDONESIA

shown in  
Bali Brown/Black



## NATURALLY STUNNING DESIGN

Our Palmer Desk Collection captures the natural beauty of rustic wood and clean, modern lines to inspire you endlessly. Designed with minimalist form and everyday functionality, Palmer is crafted by Indonesian artisans who hand-plane and hand-sand every piece.



### NEED HELP?

Visit a store, call **866.427.4287**, or **live chat** with our Design Team to learn more.

# ARHAUS®

your home

# PALMER

DESK COLLECTION | MADE IN INDONESIA

shown in  
Stone on Ash/Rough Pewter



## PRODUCT DETAILS

- + Natural Oak pieces are handcrafted from solid oak wood that is farm-grown and harvested in the United States in strict adherence to international environmental treaties.
- + Natural Oak surfaces are hand-planed and hand-sanded to bring out the natural beauty of every piece of timber.
- + Bali Brown pieces are made of solid mango wood. Mango is indigenous to Indonesia and is sustainably harvested from fruit trees after they can no longer grow fruit.
- + Bali Brown surfaces are hand-planed to achieve a textured surface and finished with coat after coat of cherry stain to achieve a warm and rich patina.
- + Stone on Ash pieces made from solid ash wood surfaced with ash veneers.
- + Stone on Ash surfaces are hand-planed, sanded, and layered with grey and natural wood tones, creating a textured, weathered appearance.
- + Bahasa Brown and Camel Oak pieces are crafted from solid oak.
- + Each plank is coated with several layers of glaze, stain, and lacquer for extra protection.
- + All pieces are durably constructed using mortise-and-tenon joinery for added structural reliability.
- + Parsons-style bases are made out of solid powder-coated iron.
- + Features two open shelves below the desktop for storage.
- + Can be displayed with the open shelves on the left or right side.
- + Equipped with six drawers, two file cabinets and one adjustable shelf with wire access.
- + Keep your furniture looking its best. Visit [arhaus.com](https://arhaus.com) or speak to any Arhaus Design Consultant for care recommendations.

## WOOD FINISHES:



Natural Oak



Bali Brown



Stone on Ash

IMAGE NOT AVAILABLE

Bahasa Brown



Camel Oak

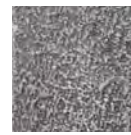
## METAL FINISHES:



Rust



Black



Rough Pewter

IMAGE NOT AVAILABLE

Oil-Rubbed Bronze

IMAGE NOT AVAILABLE

Graphite

# ARHAUS®

your home

# PALMER

DESK COLLECTION | MADE IN INDONESIA

shown in  
Stone on Ash/Rough Pewter



## DESK

55" w x 29" d x 30" h

Natural Oak/Rust  
Bali Brown/Black  
Stone on Ash/Pewter  
Bahasa Brown/Oil-Rubbed Bronze  
Camel Oak/Graphite

55PALMODSK2  
55PALMBRDSK  
55PALMSDSK  
55PALMBRDSK2  
55PALMODESK2



## CREDENZA

56.25" w x 19" d x 29.5" h

Natural Oak/Rust  
Bali Brown/Black  
Stone on Ash/Pewter  
Bahasa Brown/Oil-Rubbed Bronze  
Camel Oak/Graphite

55PALMOCR2  
55PALMBRCRD  
55PALMSCRD  
55PALMBRCRD2  
55PALMOCRD2



## 40" BOOKCASE

39.5" w x 15.75" d x 76" h

Natural Oak/Rust  
Bali Brown/Black  
Stone on Ash/Pewter  
Bahasa Brown/Oil-Rubbed Bronze  
Camel Oak/Graphite

55PALMOBK2  
55PALMBR40BK  
55PALMS40BK  
55PLMBR40BK2  
55PALMO42BK2

## 24" BOOKCASE

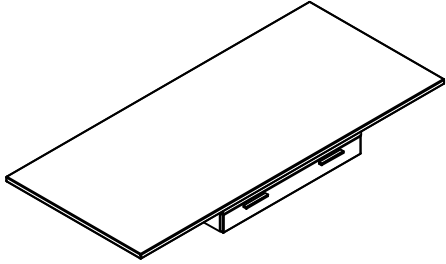
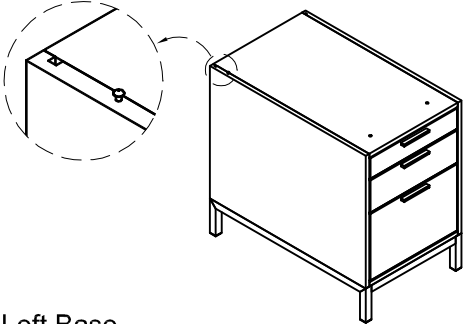
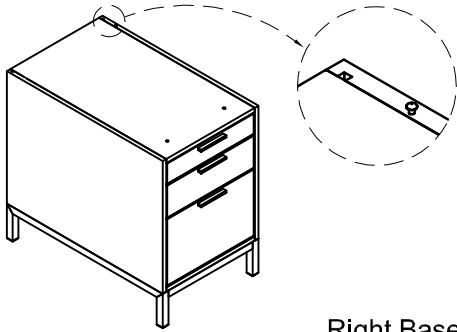
24" w x 15.75" d x 76" h

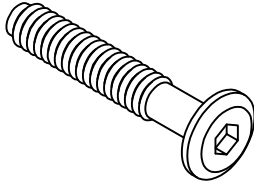
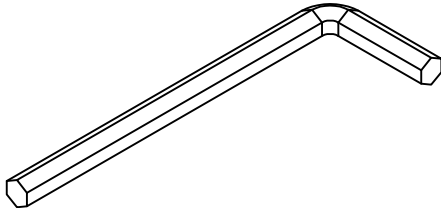
Natural Oak/Rust  
Bali Brown/Black  
Stone on Ash/Pewter  
Bahasa Brown/Oil-Rubbed Bronze  
Camel Oak/Graphite

40PALMO24BK2  
40PALMBR24BK  
55PALMS24BK  
55PLMBR24BK2  
55PALMO24BK2

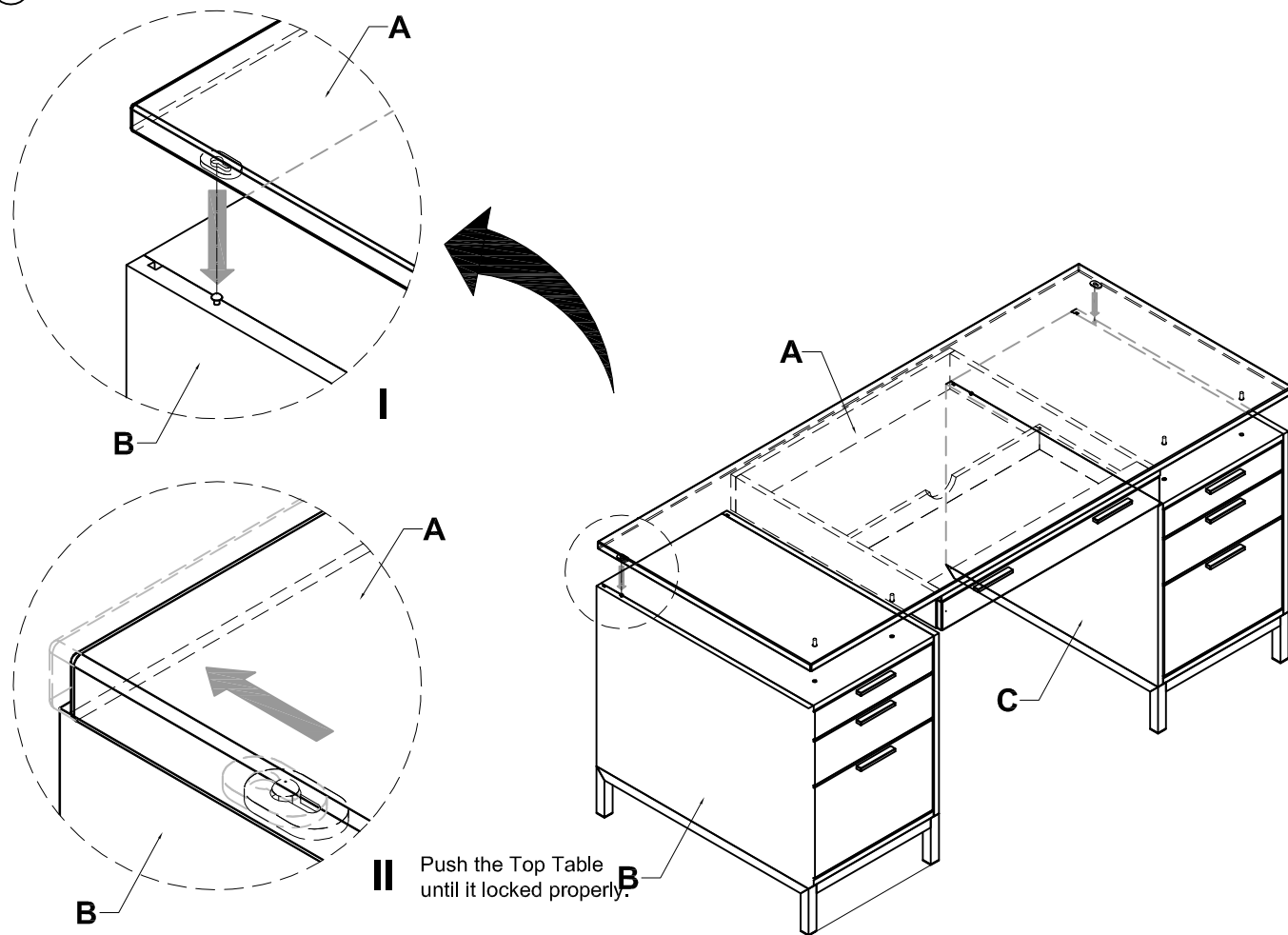
# ASSEMBLY INSTRUCTIONS

## PALMER - EXECUTIVE DESK

NO.	PARTS LIST	QTY
Ⓐ		1 pc
Ⓑ	 <p data-bbox="172 952 287 981">Left Base</p>	1 pc
Ⓒ	 <p data-bbox="507 1310 646 1339">Right Base</p>	1 pc

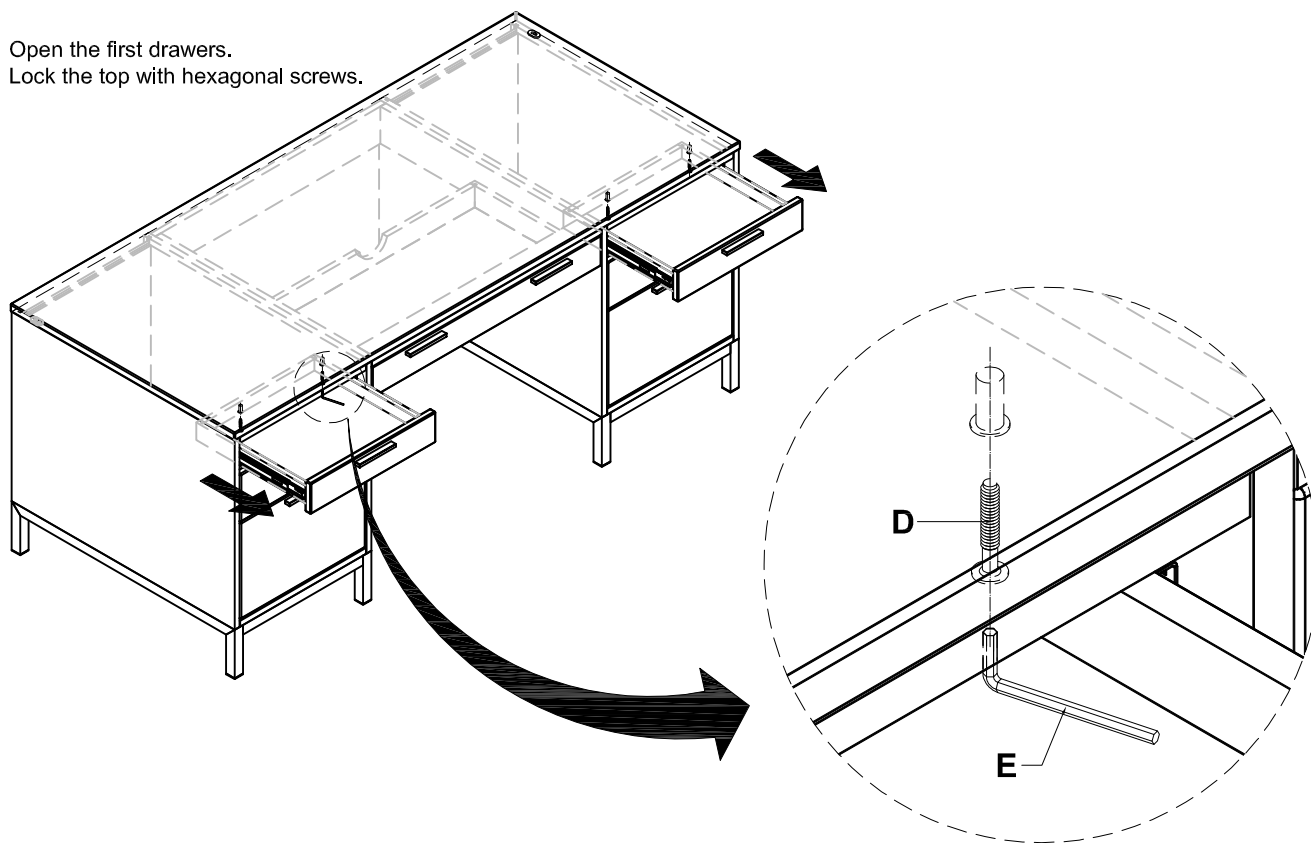
NO.	PARTS LIST	QTY
Ⓓ		4 pcs
Ⓔ		1 pc

①



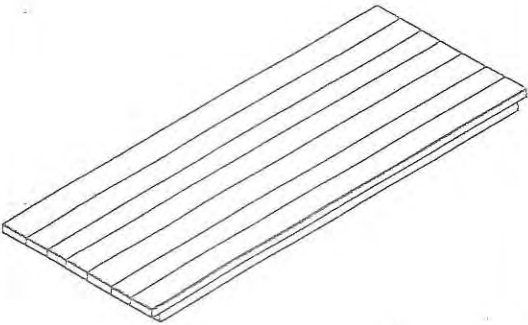
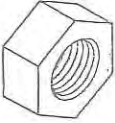
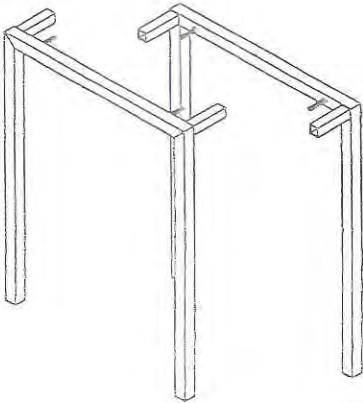

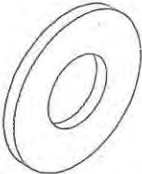
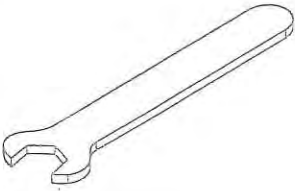
②

Open the first drawers.  
Lock the top with hexagonal screws.

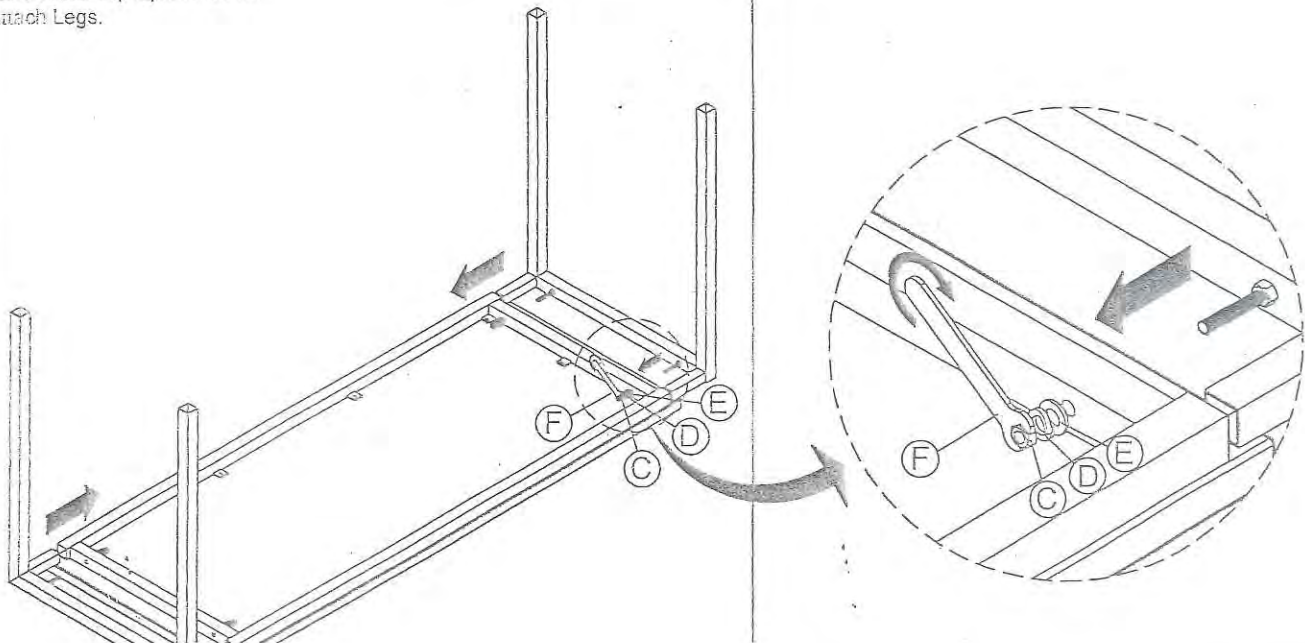


# ASSEMBLY INSTRUCTIONS

## PALMER - RETURN DESK

NO.	PARTS LIST	QTY	NO.	PARTS LIST	QTY
(A)		1 pc	(C)		4 pcs
(B)		2 pcs	(D)		4 pcs
			(E)		4 pcs
			(F)		1 pc

Turn Table Top Upside down.  
Attach Legs.



# DESK PARTS SKUS

Super Category	Product ID	Description	Collection	Route
DESK	91PALMEXHW	PALMER EXECUTIVE DESK HARDWARE	PT-PALMER	
DESK	91PALMFILE ROD	PALMER FILE RODS	PT-PALMER	PART



# ARHAUS<sup>®</sup>

your home

# PEARSON

OFFICE COLLECTION | MADE IN INDONESIA

shown in  
Basa Natural



IMAGE NOT  
AVAILABLE

## PEARSON EXECUTIVE DESK

70" w x 30" d x 30" h

London Fog	55PEARFOGEXC
Ebony	55PEAREBEXC
Basa Natural	55PEARNATEXC
Bastian Brown	55PEARBRNEXC

## PEARSON WRITING DESK

52" w x 22" d x 30" h

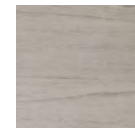
London Fog	55PEARFOGWRT
Ebony	55PEAREBWRT
Basa Natural	55PEARNATWRT
Bastian Brown	55PEARBRNWRT

## A TRULY VERSATILE OFFICE AESTHETIC

Handcrafted by Indonesian artisans, each piece in our Pearson Office Collection is expertly constructed from solid sungkai wood and mindi wood veneers for a sturdy and smooth work surface. Classic design elements like hand-carved molding and elegantly styled drawer pulls complement the wood's natural beauty and add sophisticated style. Add décor to create your ideal home office space, transitioning your Pearson desk from traditional to modern with its truly versatile aesthetic.

### PRODUCT DETAILS

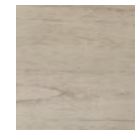
- + This artisan-crafted collection is built in Indonesia from solid, locally grown, sustainably harvested sungkai wood and mindi wood veneers.
- + Frames are supported by mortise-and-tenon joinery and corner-block reinforcements for exceptional stability.
- + Each piece is hand-sanded, hand-finished in rich tones, and brushed with lacquer for added protection and subtle sheen.
- + Drawers are constructed with dovetail joinery and feature under-mounted, soft-close glides.
- + Drawer fronts are decorated with hand-carved moulding, while drawer interiors are lined with beech wood veneers.
- + Executive desk's cord management hole accommodates electronics.
- + Keep office essentials close with storage space to fit your needs.
- + Keep your furniture looking its best. Visit [arhaus.com](https://arhaus.com) or speak to any Arhaus Design Consultant for care recommendations.



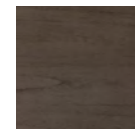
FINISHES:  
London Fog



Ebony



Basa Natural



Basa Brown

DESK CHAIR

26" w x 27.25" d x 39"-41" h

Faux Drift

55SOBELDFTCH

Copley Brown

55SOBELBRNCH



The classic silhouette of our Sobel Desk Chair is made modern for today's inspiring workspace. Plush upholstery, a high back, and sleek arms provide supportive comfort, while an adjustable seat, caster wheels, and mechanisms for tilting and swiveling mean Sobel is ready to move with you no matter what your workday brings.

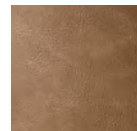
PRODUCT DETAILS

- + Craftsman-built frame is constructed from solid, reinforced hardwood for superior stability.
- + Metal base features a matte black finish for a classic look, as well as caster wheels and hydraulic lift mechanisms for tilting, swiveling, and adjusting your seat's height from 31" to 34.75".
- + Keep your furniture looking its best. Visit [arhaus.com](http://arhaus.com) or speak to any Arhaus Design Consultant for care recommendations.

LEATHERS:



Faux Drift



Copley Brown

NEED HELP?

Visit a store, call **866.427.4287**, or **live chat** with our Design Team to learn more.

# ARHAUS®

your home

# SULLIVAN

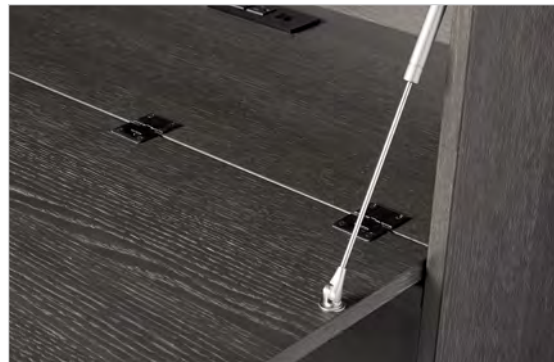
DESK COLLECTION | MADE IN INDONESIA

shown in  
Northman Oak



## CONTEMPORARY RUSTIC

Functional design at its best, our Sullivan Collection is artisan-crafted to frame your space in a grounded, contemporary aesthetic. Built by hand using sustainably sourced, reclaimed, European oak wood complemented by oversized iron hardware, each hand-stained surface features a smooth, contemporary finish that accentuates the natural character of the salvaged wood. This office collection perfectly balance practicality, craftsmanship, and chic styling with workspace and storage solutions to suit your everyday needs.



### NEED HELP?

Visit a store, call **866.427.4287**, or **live chat** with our Design Team to learn more.

shown in  
Northman Sable



## PRODUCT DETAILS

- + Sullivan pieces finished in Northman Oak or Northman Sable are handcrafted by artisans from reclaimed European oak, sustainably sourced solid oak, and oak veneers.
- + Reclaimed European oak used in cabinet doors and drawers is salvaged from wood beams—showcasing natural weathering, unique cracks, joint lines, and saw marks that make each piece one-of-a-kind.
- + Cracks in reclaimed oak are filled with black resin to ensure a smooth surface and add unique detail to each piece.
- + In addition to its stunning, organic appeal, our reclaimed wood is treasured in many of our collections as a contribution to preserving healthy and sustainable eco-systems.
- + Sullivan pieces finished in Northman Cinder are made from sustainably sourced new oak.
- + Surfaces are hand-sanded, coated with several layers of rich glaze to emphasize the wood's natural beauty, then sealed with a matte lacquer for added protection.
- + Cabinet doors and drawers are complemented by solid iron handles.
- + Adjustable/removable shelving accommodates any storage or display needs.
- + Cord management holes accommodate electronics and media equipment.
- + Drawers sit atop under-mounted glides.
- + File includes two drawers that adjust to support both legal and standard-size files.
- + All Sullivan case pieces include anti-tip kits for added stability.
- + Natural wood may display small splits, knots, or other organic features that will add character to your piece without affecting its quality or performance.
- + Keep your furniture looking its best. Visit [arhaus.com](http://arhaus.com) or speak to any Arhaus Design Consultant for care recommendations.

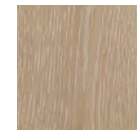
## FINISHES:



Northman  
Oak



Northman  
Cinder



Northman  
Sable

# ARHAUS®

your home

# SULLIVAN

DESK COLLECTION | MADE IN INDONESIA

shown in  
Northman Oak



## MODULAR TRIPLE BOOKCASE FILE

112.68" w x 19.17" d x 75.35" h

Northman Oak  
Northman Cinder  
Northman Sable

55SULMDTRPBK  
55SULGRTRPBK  
55SULSBTRPBK



## EXECUTIVE DESK

71" w x 31.5" d x 30" h

Northman Oak  
Northman Cinder  
Northman Sable

55SULLEXEC  
55SULLGEXDK  
55SULLSEXDK



## WRITING DESK

52" w x 27.5" d x 30" h

Northman Oak  
Northman Cinder  
Northman Sable

55SULLLOWD  
55SULLGWD  
55SULLSWD



## HIDEAWAY DESK

37.5" w x 17.25" d x 63" h

Northman Oak  
Northman Cinder  
Northman Sable

55SULLOCMPCB  
55SULLGCMPCB  
55SULLSCMPCB

shown in  
Northman Cinder



### SINGLE BOOKCASE WITH FILE BASE

37.56" w x 19.17" d x 75.35" h

Northman Oak  
Northman Cinder

55SULMDSBKFL  
55SULGRSBKFL

### SINGLE BOOKCASE WITH 2-DRAWER CABINET BASE

37.56" w x 19.17" d x 75.35" h

Northman Oak  
Northman Cinder

55SULMDSBK2D  
55SULGRSBK2D



### BOOKCASE TOP

37.56" w x 13.78" d x 47.24" h

Northman Oak  
Northman Cinder  
Northman Sable

55SULLBOOK  
55SULLGBOOK  
55SULLSBOOK



### FILE BASE

37.56" w x 19.17" d x 28.11" h

Northman Oak  
Northman Cinder  
Northman Sable

55SULLFILE  
55SULLGFILE  
55SULLSFILE



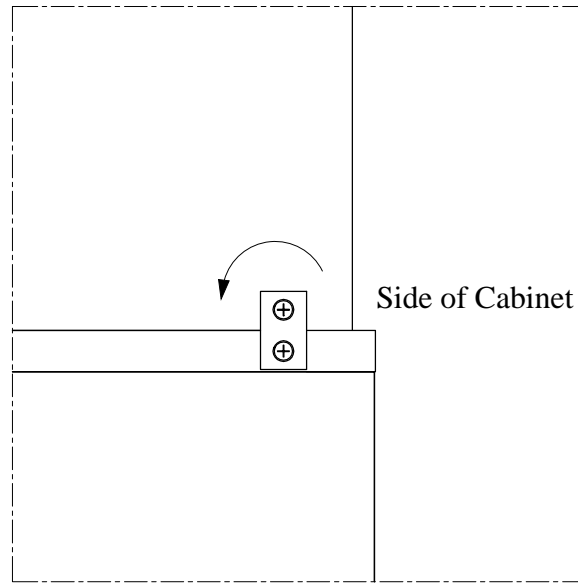
### 2-DOOR CABINET BASE

37.56" w x 19.17" d x 28.11" h

Northman Oak  
Northman Cinder  
Northman Sable

55SULL2DCAB  
55SULLG2DCB  
55SULLS2DCB

## MENDING PLATE Installation Instruction



Cabinet Back View

**When stacking two cabinets on top of each other,  
turn mending plates on the back of the cabinets  
and install screws using screwdriver**

# DESK PARTS SKUS

Super Category	Product ID	Description	Collection	Route
DESK	91SULFLCBHN	SULLIVAN FILE AND CAB HANDLES SULLIVAN HANDLES	PT-SULLIVN	PART



# ARHAUS®

your home

## telegraph



### Executive Desk

78" w x 38" d x 30.25" h

Spencer Brown & Black

Acacia White & Woodland Mindi

Stratus & Stone on Ash

55TELEEXDK3

55TELEWEXDK

55TELEGEXDK

### Small Desk

70" w x 31.25" d x 30.25" h

Spencer Brown & Black

Acacia White & Woodland Mindi

Stratus & Stone on Ash

55TELESMDK3

55TELEWSMDK2

55TELEGSMDK

### Return Desk

70.75" w x 21" d x 30.25" h

Spencer Brown & Black

Acacia White & Woodland Mindi

Stratus & Stone on Ash

55TELERTNDK3

55TELEWRTNDK

55TELEGRRTDK

### Finishes:



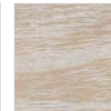
Spencer  
Brown



Black



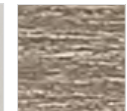
Acacia White



Woodland  
Mindi



Stratus



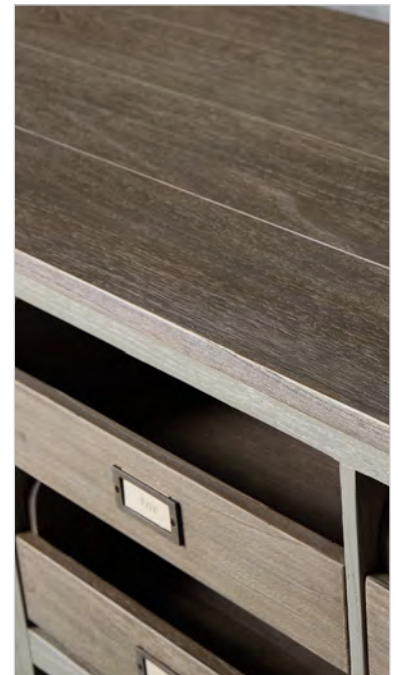
Stone on Ash

## inspired by mid-century parisian artistry

Our Loren collection is a perfect representation of post-war European design—featuring artisan-crafted finishes, stately marble, luxe brass, and angled legs. Mid-century Parisian designers, influenced by a need for freedom and practicality, introduced clean, unadorned silhouettes to furnish homes of the time. Following this principle, our stunning boudoir collection emphasizes superior craftsmanship with pieces built from parawood surfaced with elegant ash veneers. Hand-applied, whitewash finishes are sealed and coated with clear lacquer for added protection and a subtle sheen—evoking a clean and contemporary feel.

### product details

- ▶ Craftsman-built pieces are handcrafted from solid mindi wood and mindi wood veneers for durability.
- ▶ Finishes are applied by hand and subtly distressed for a slightly aged effect.
- ▶ Warm wood finishes are complemented by solid brass hardware.
- ▶ Drawers sit on full-extension metal glides.
- ▶ Keep your furniture looking its best. Visit [arhaus.com](http://arhaus.com) or speak to any Arhaus Design Consultant for care recommendations.



# ARHAUS®

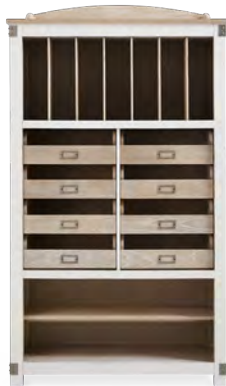
your home



**Corner Desk**  
 75.75" w x 75.75" d x 30.25" h  
 Spencer Brown & Black 55TELECRDK  
 Acacia White & Woodland Mindi 55TELEWCRDK  
 Stratus & Stone on Ash 55TELEGCARDK



**Computer Cabinet**  
 53" w x 20" d x 55.5" h  
 Spencer Brown & Black 55TELECMPCAB  
 Acacia White & Woodland Mindi 55TELEWCMPCAB  
 Stratus & Stone on Ash 55TELEGCMPACAB



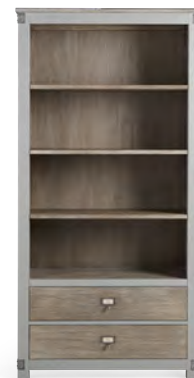
**Workers Cabinet**  
 41.75" w x 17.75" d x 73.25" h  
 Spencer Brown & Black 55TELECAB  
 Acacia White & Woodland Mindi 55TELEWCAB  
 Stratus & Stone on Ash 55TELEGACAB



**Lateral Workers Cabinet**  
 80.25" w x 25.25" d x 35.75" h  
 Spencer Brown & Black 55TELELATCAB  
 Acacia White & Woodland Mindi 55TELEWLATCAB  
 Stratus & Stone on Ash 55TELEGLATCAB



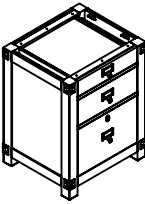
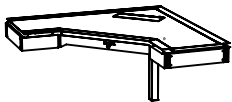


**4-Drawer File**  
 28.75" w x 19.75" d x 60" h  
 Spencer Brown & Black 55TELE4DFILE  
 Acacia White & Woodland Mindi 55TELEW4DFILE  
 Stratus & Stone on Ash 55TELEG4DFILE

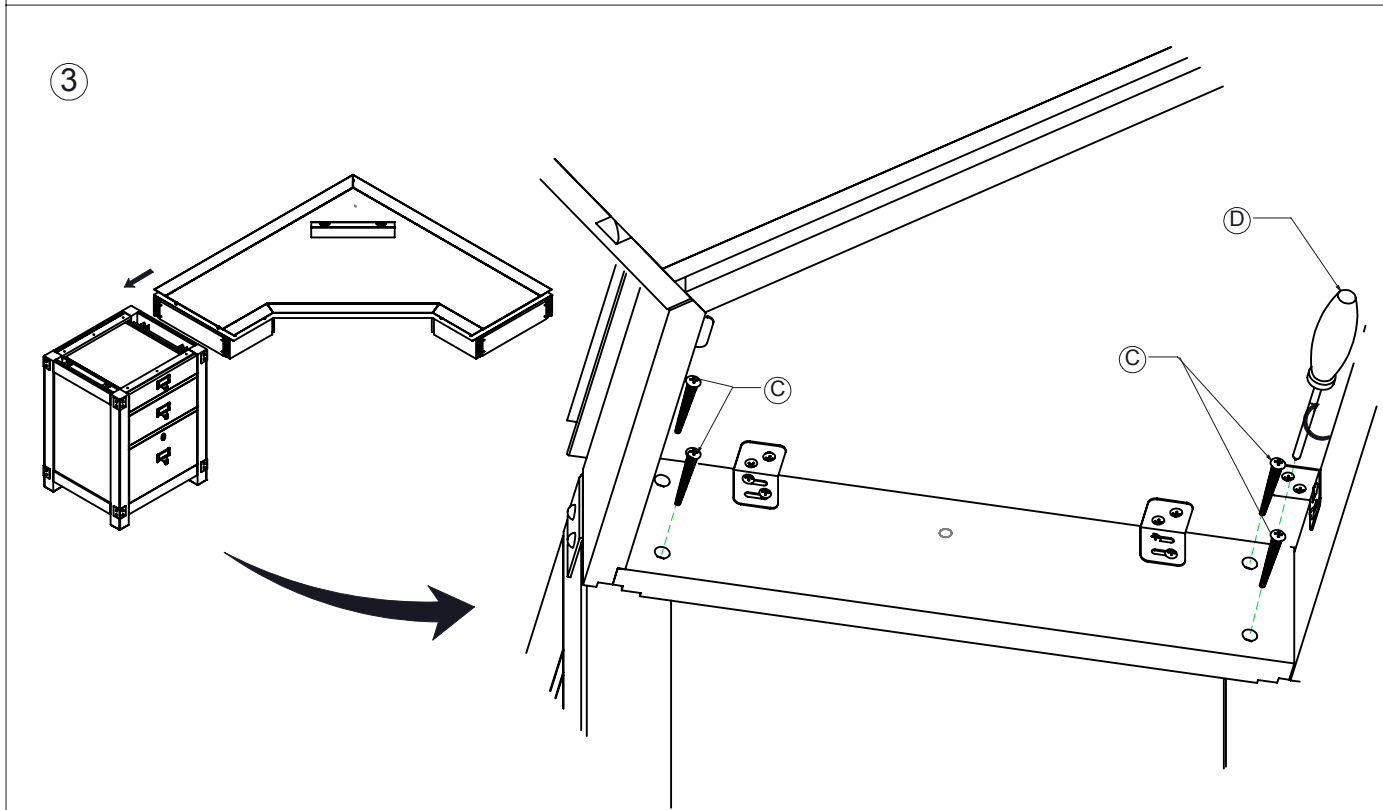
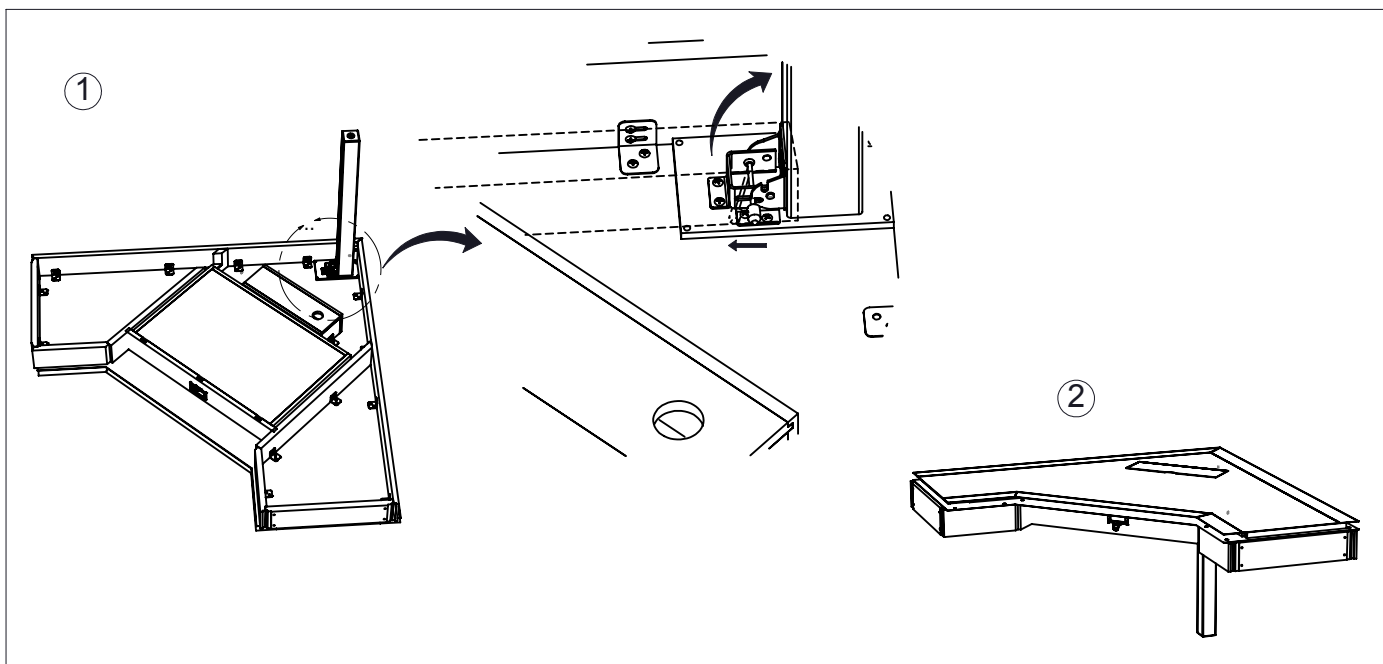


**Bookcase**  
 40.25" w x 16.25" d x 80" h  
 Spencer Brown & Black 55TELEWDBK  
 Acacia White & Woodland Mindi 55TELEWWDBK  
 Stratus & Stone on Ash 55TELEGWDBK

# ASSEMBLY INSTRUCTION

## TELEGRAPH - CORNER DESK

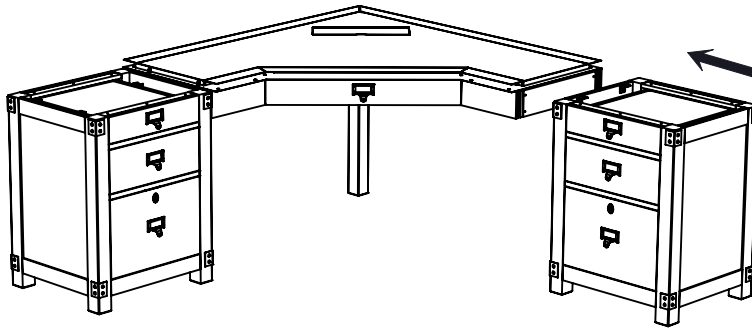
No	Part List	Qty	No	Part List	Qty	No	Part List	Qty	No	Part List	Qty
(A)		2 Pcs	(B)		1 Pc	(C)		8 Pcs	(D)		1 Pc
										Not Included	



# ASSEMBLY INSTRUCTION

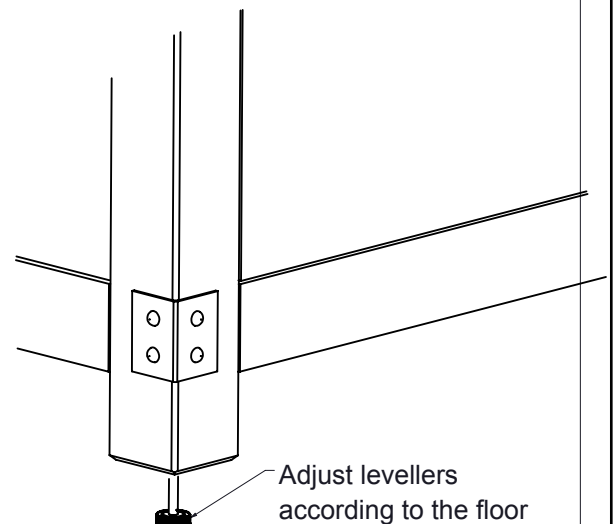
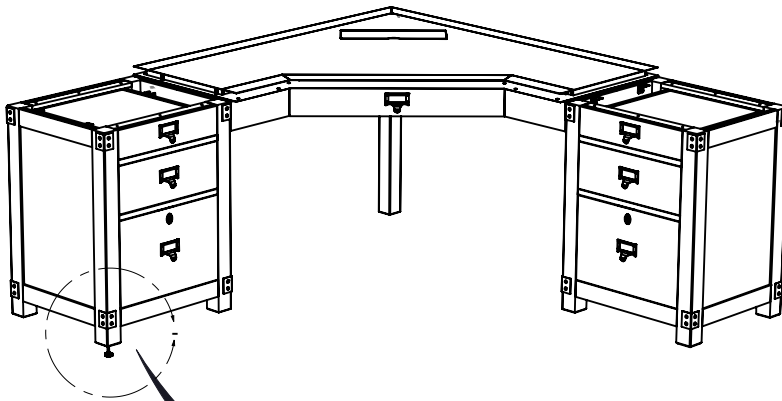
## TELEGRAPH - CORNER DESK

④



Same step as number 3

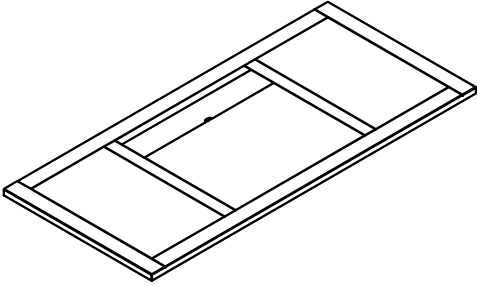
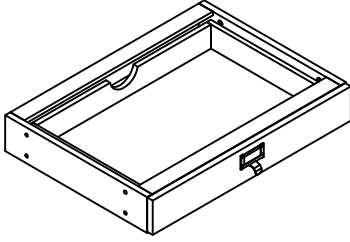
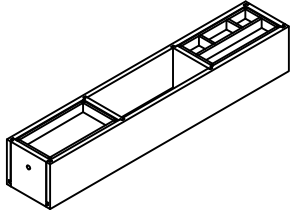
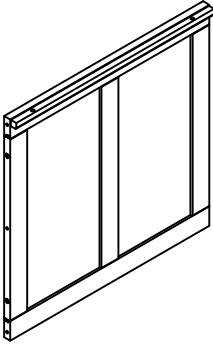
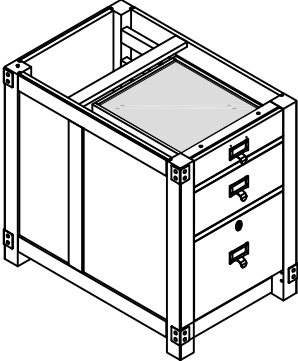
⑤

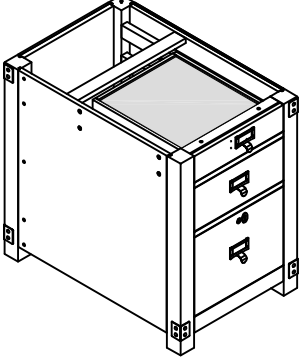
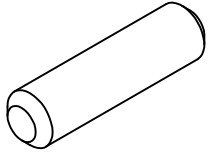
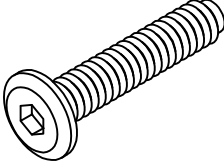
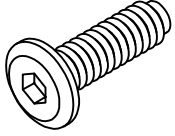
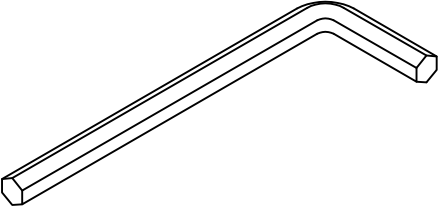


Adjust levellers  
according to the floor

# ASSEMBLY INSTRUCTIONS

## TELEGRAPH - SMALL DESK

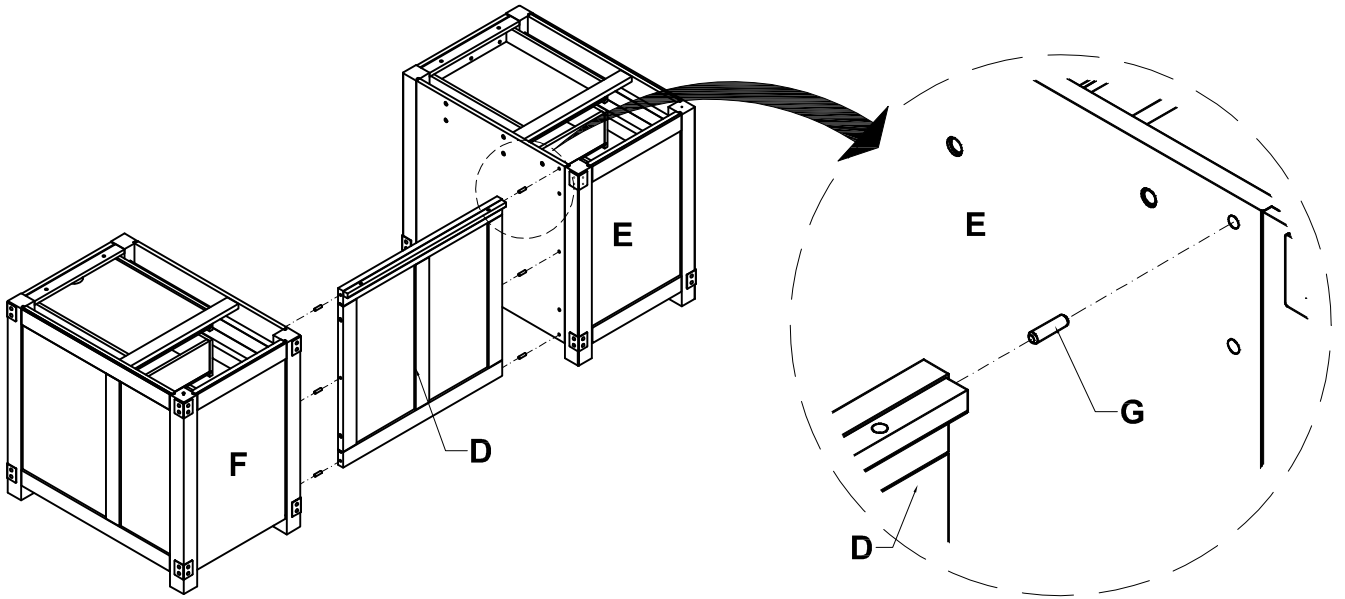
NO.	PARTS LIST	QTY
(A)		1 pc
(B)		1 pc
(C)		1 pc
(D)		1 pc
(E)		1 pc

NO.	PARTS LIST	QTY
(F)		1 pc
(G)		6 pcs
(H)		10 pcs
(I)		12 pcs
(J)		1 pc

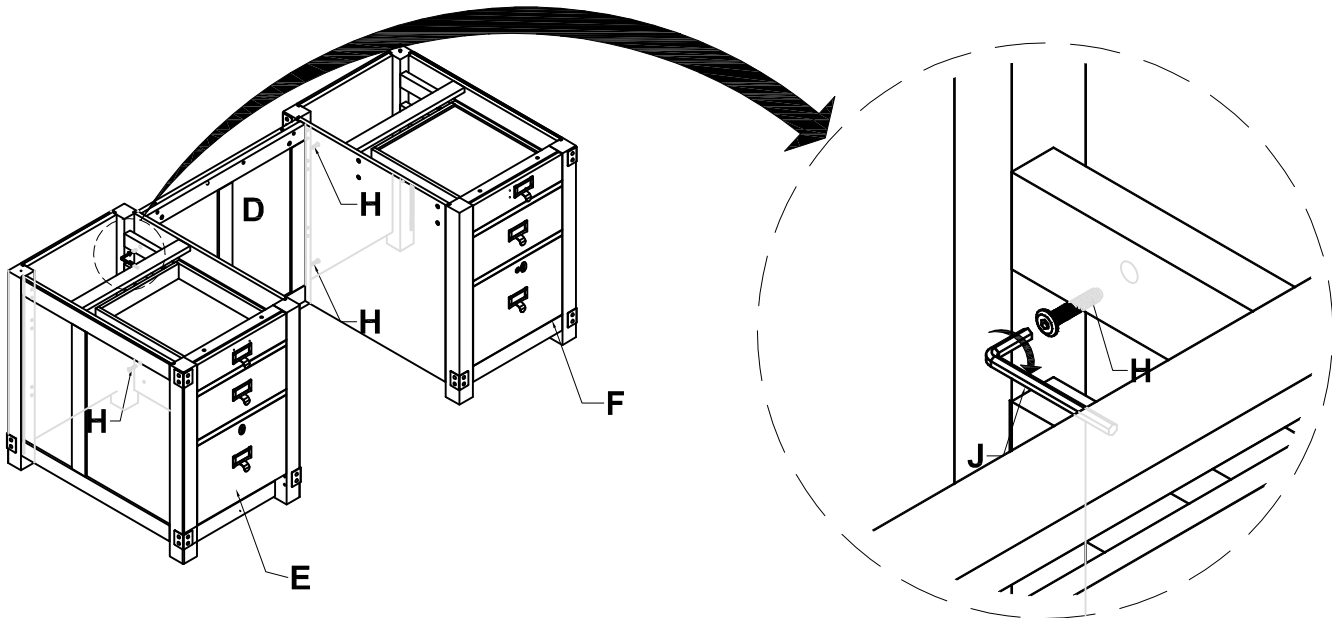
# ASSEMBLY INSTRUCTIONS

## TELEGRAPH - SMALL DESK

①



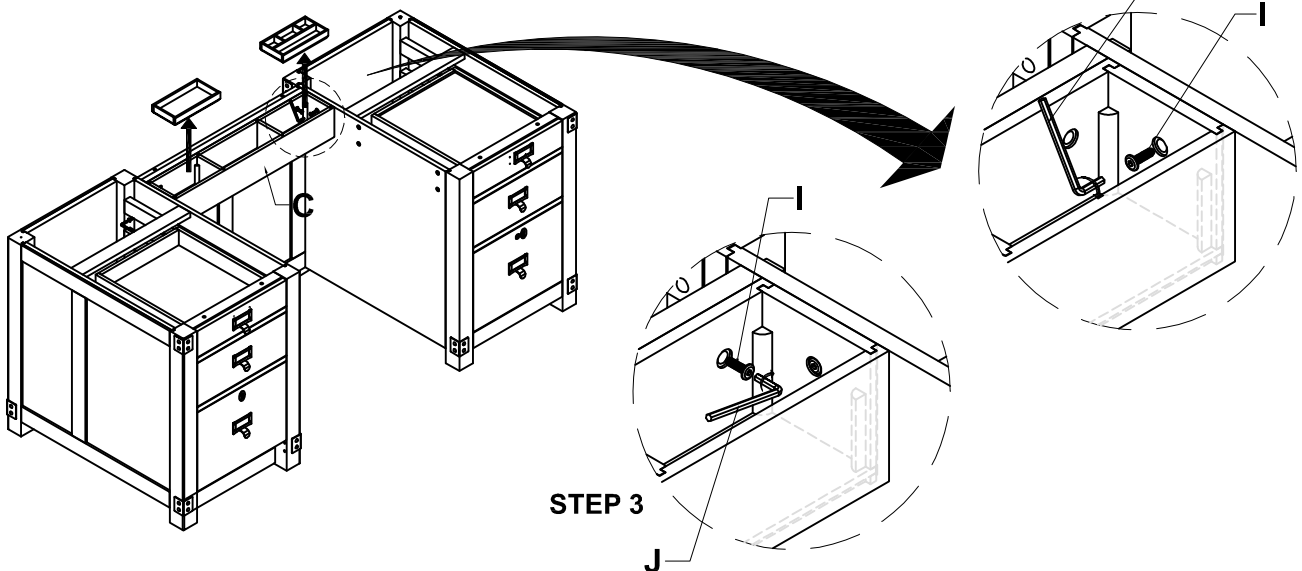
②



③

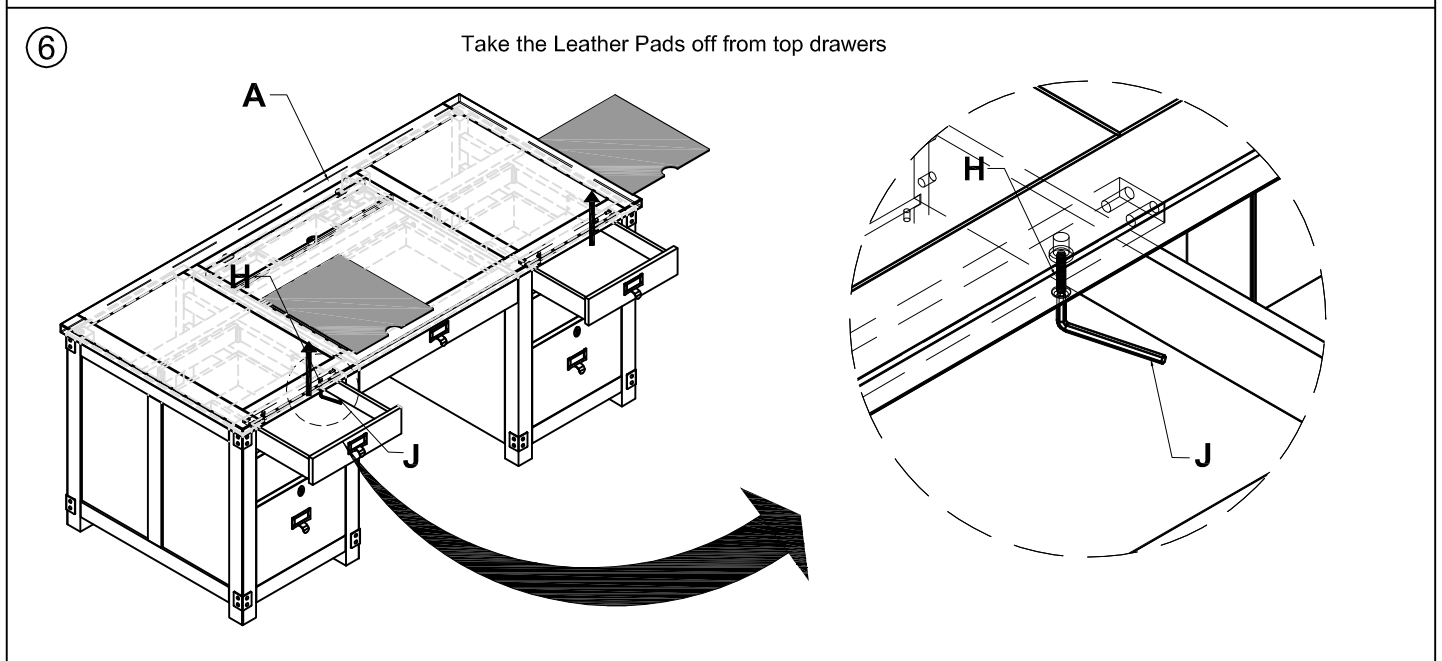
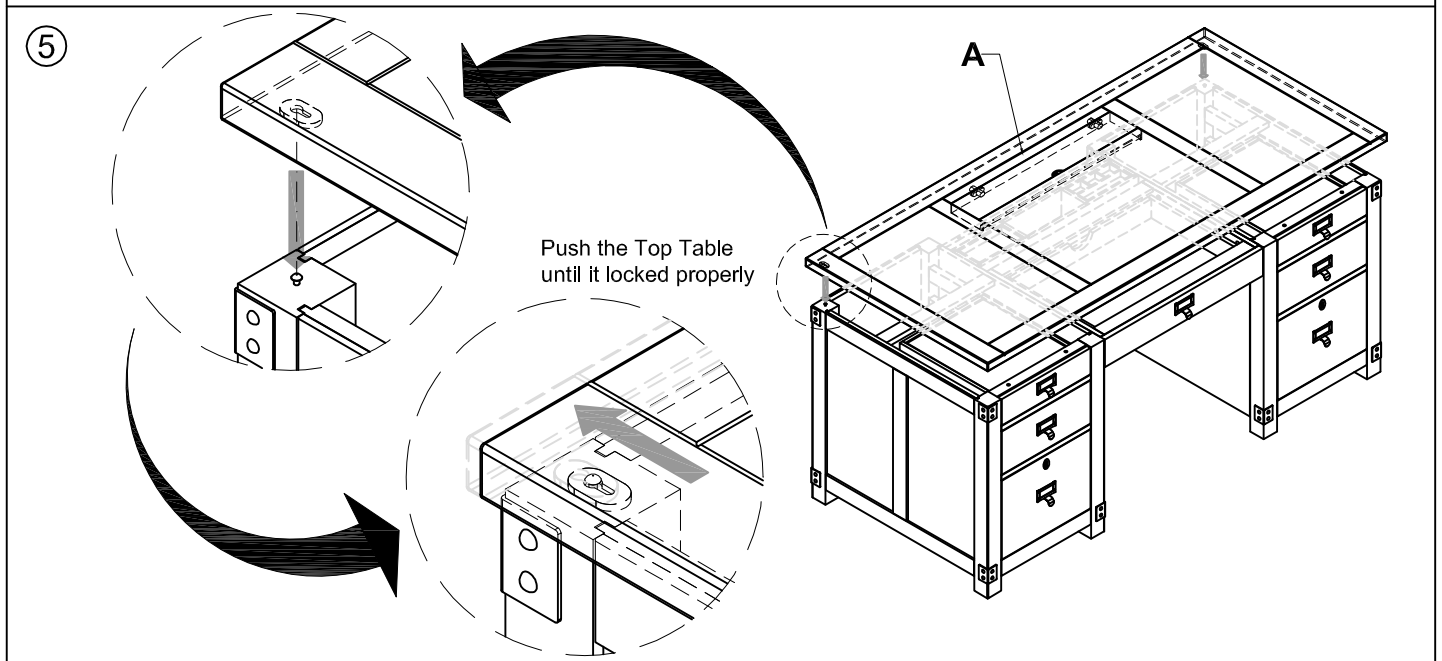
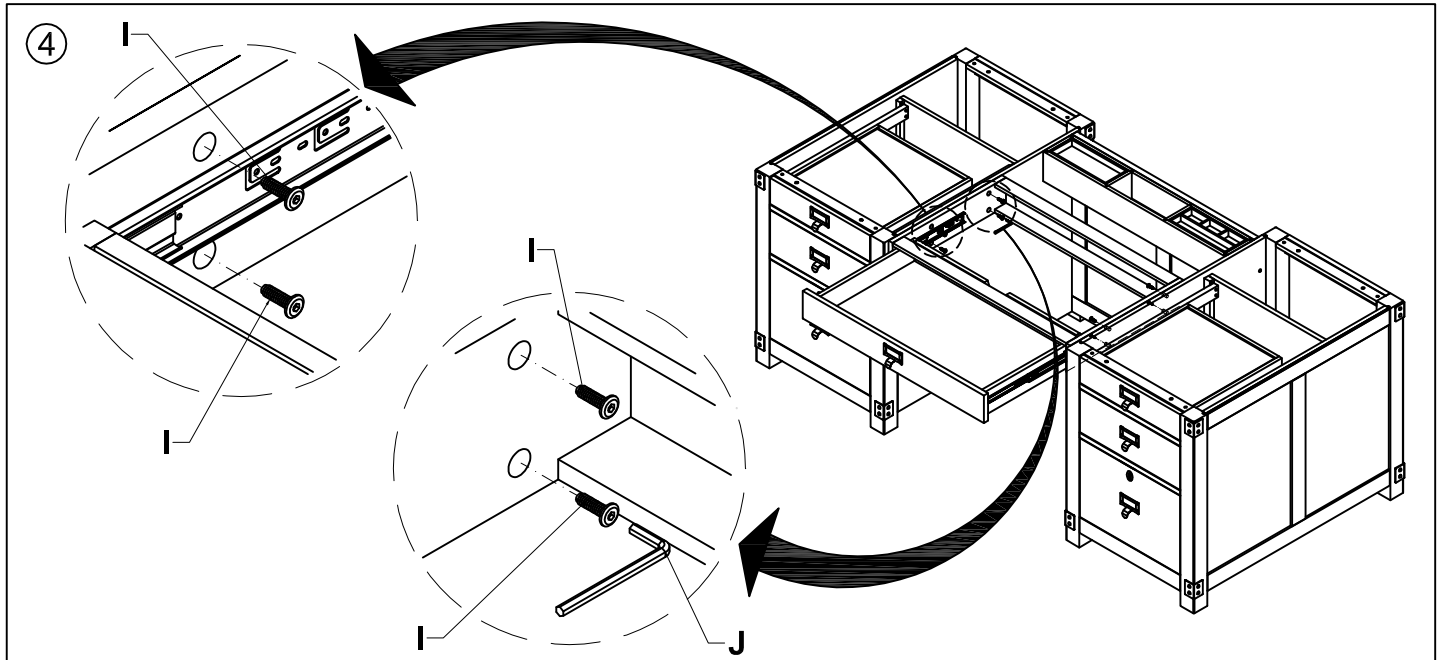
1. Take the media outlet off

STEP 2



# ASSEMBLY INSTRUCTIONS

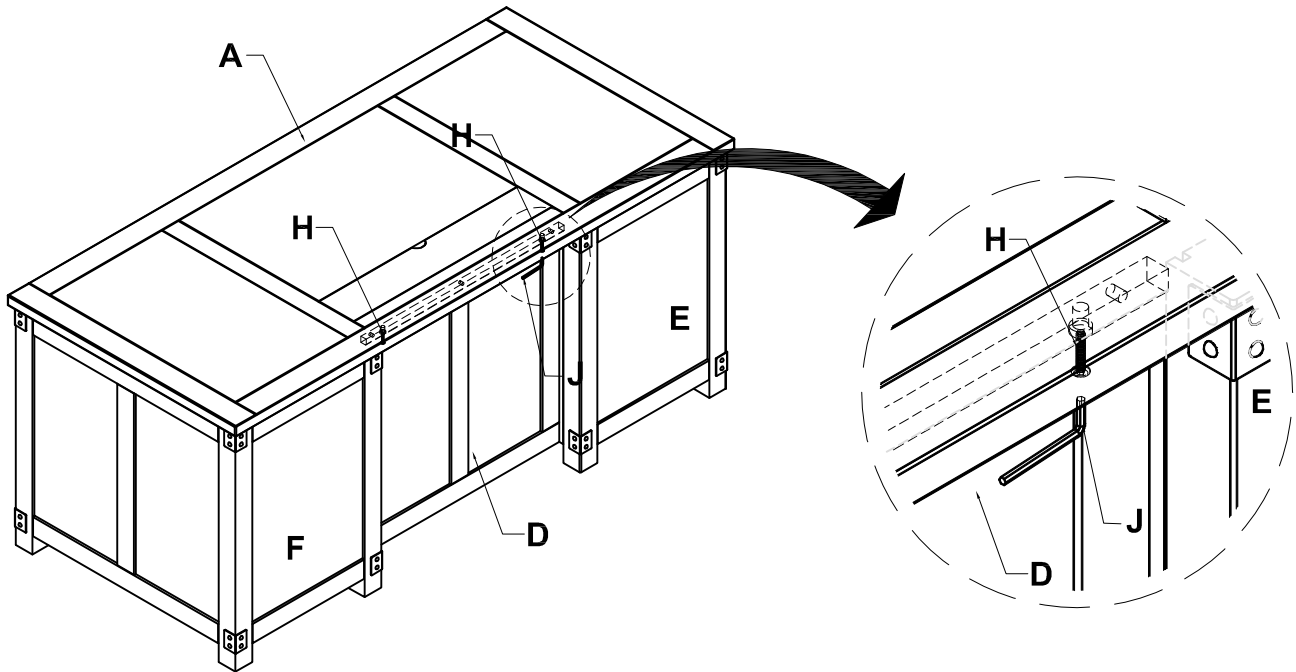
## TELEGRAPH - SMALL DESK



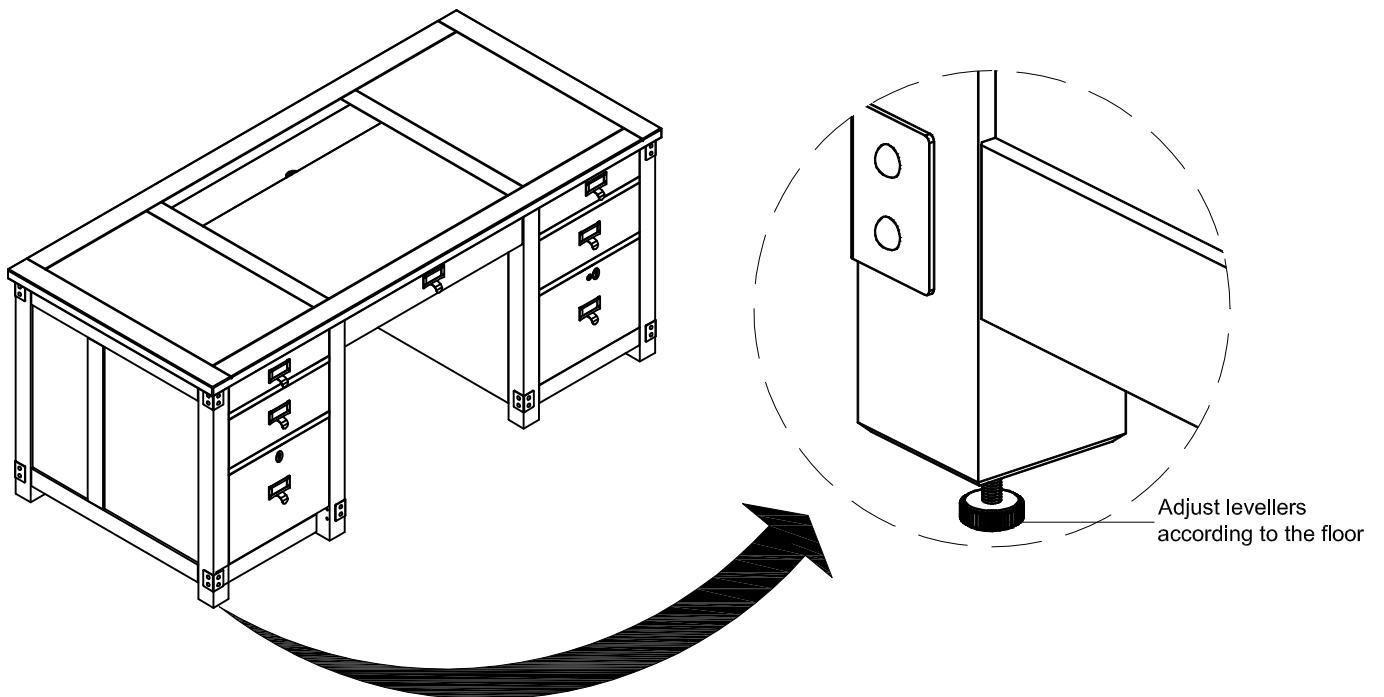
# ASSEMBLY INSTRUCTIONS

## TELEGRAPH - SMALL DESK

7



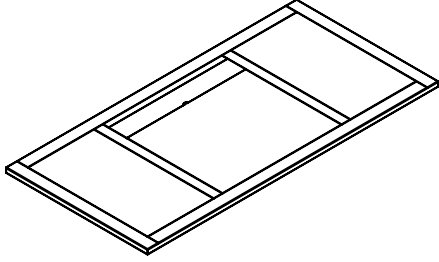
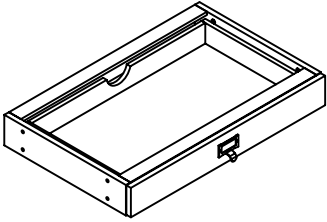
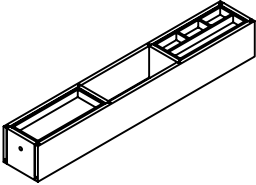
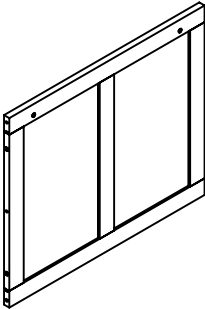
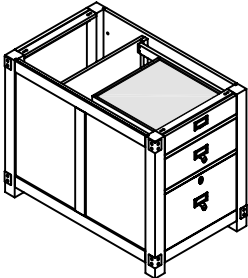
8

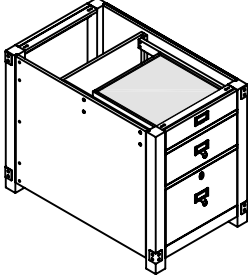
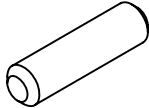
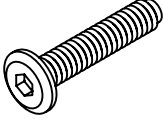
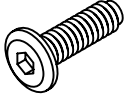
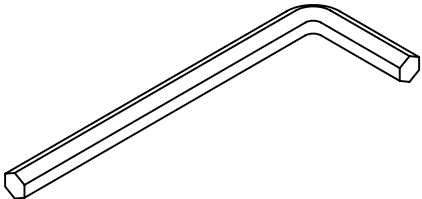




# ASSEMBLY INSTRUCTIONS

## TELEGRAPH - EXECUTIVE DESK

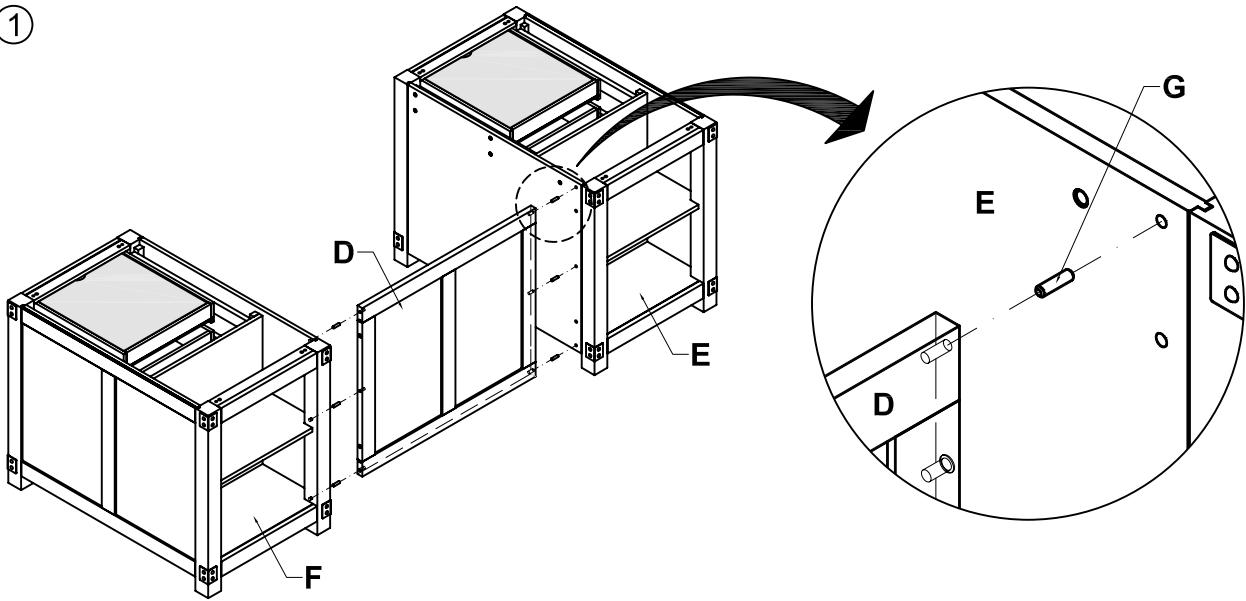
NO.	PARTS LIST	QTY
(A)		1 pc
(B)		1 pc
(C)		1 pc
(D)		1 pc
(E)		1 pc

NO.	PARTS LIST	QTY
(F)		1 pc
(G)		14 pcs
(H)		12 pcs
(I)		12 pcs
(J)		1 pc

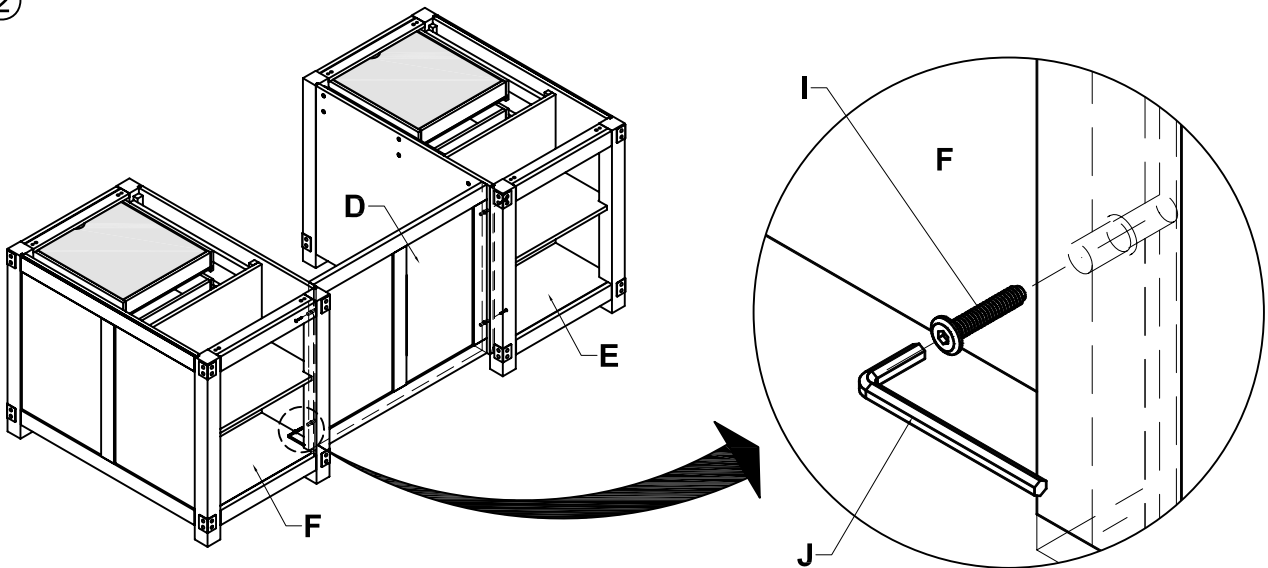
# ASSEMBLY INSTRUCTIONS

## TELEGRAPH - EXECUTIVE DESK

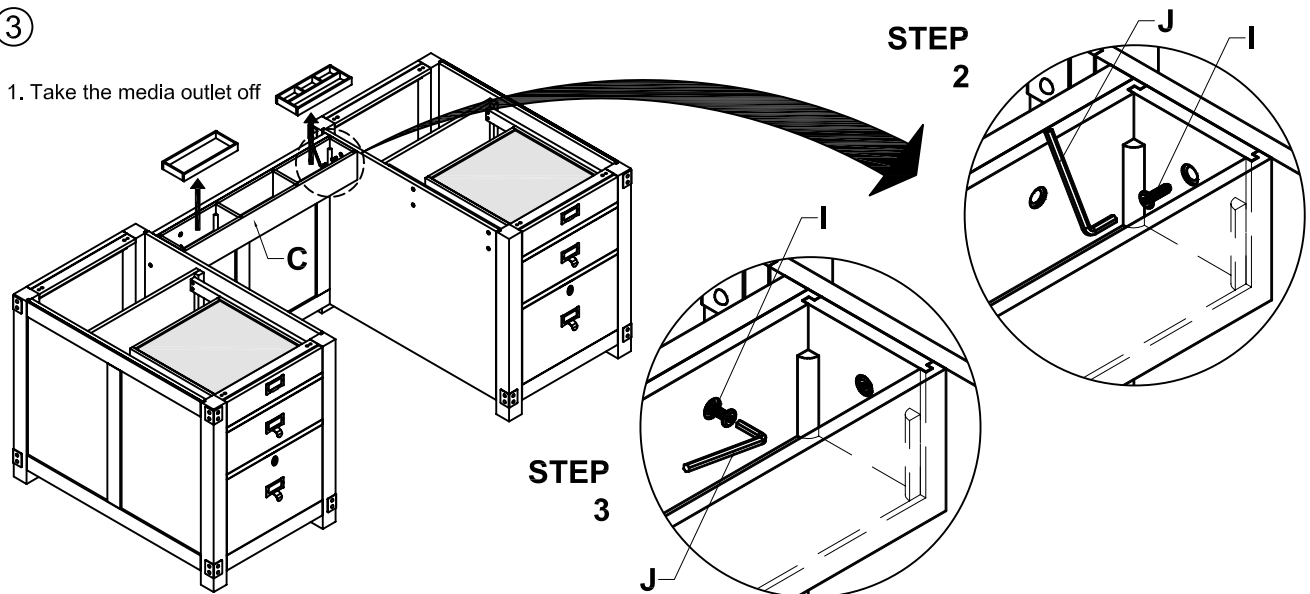
①



②



③

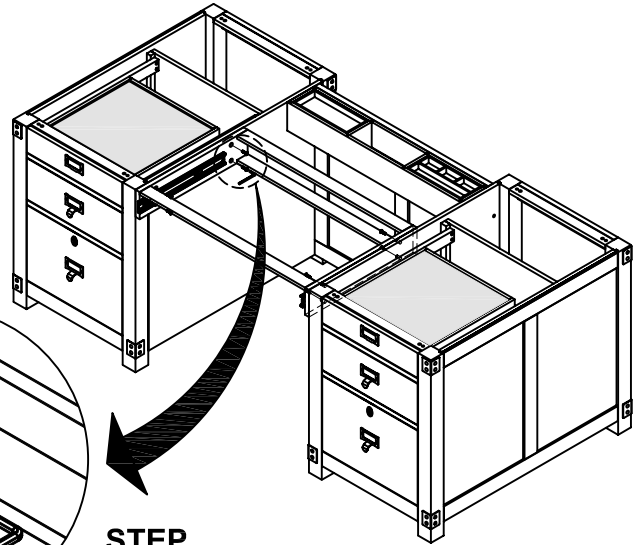
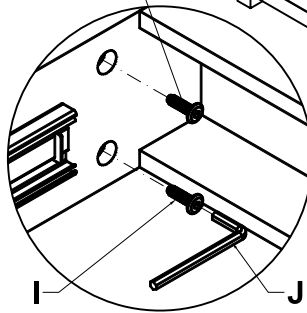
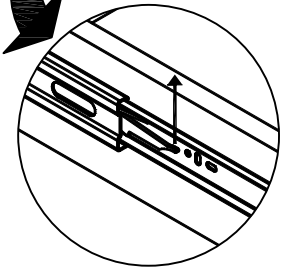
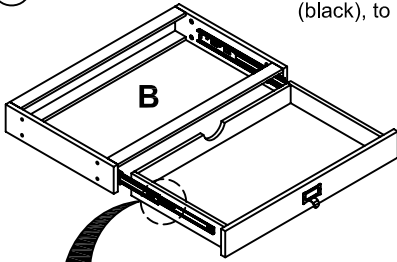


# ASSEMBLY INSTRUCTIONS

## TELEGRAPH - EXECUTIVE DESK

④

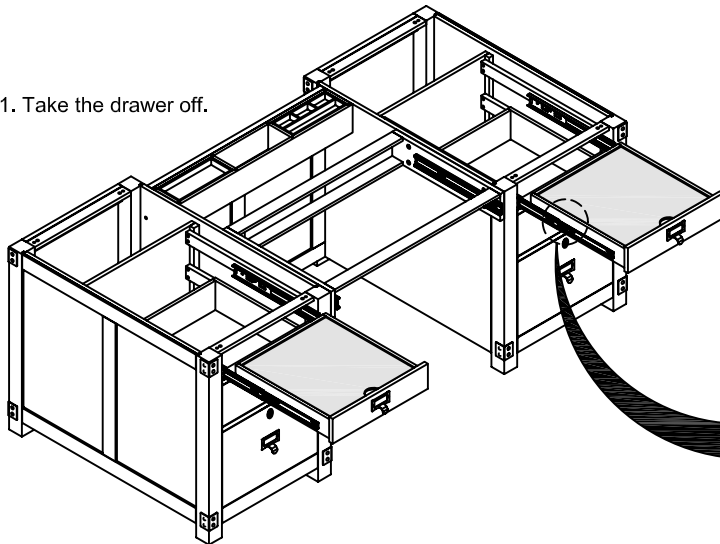
1. Pull the drawer runner plastic bar (black), to release the drawer.



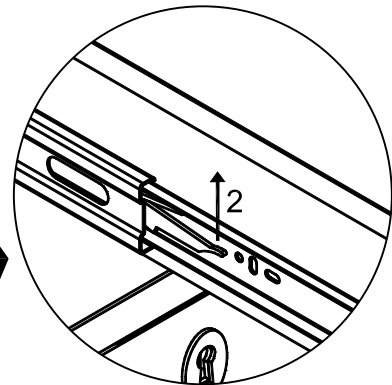
STEP  
2

⑤

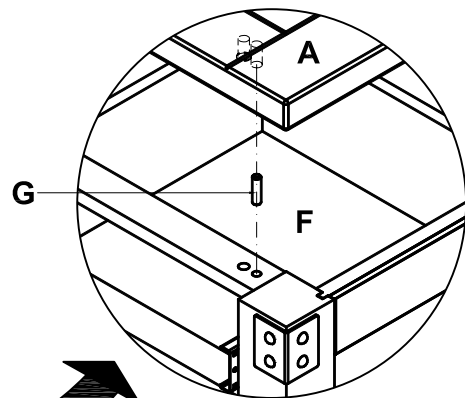
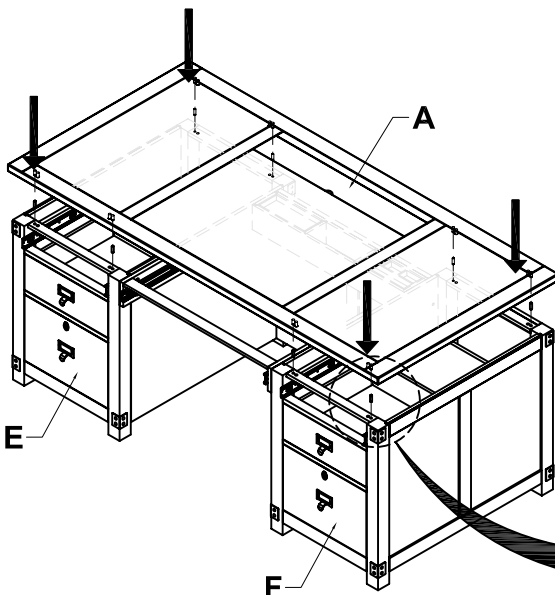
1. Take the drawer off.



2. Pull the drawer runner plastic bar (black), to release the drawer.



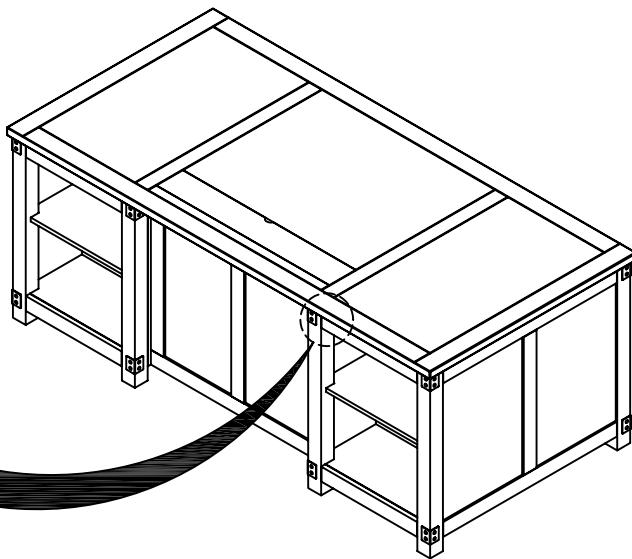
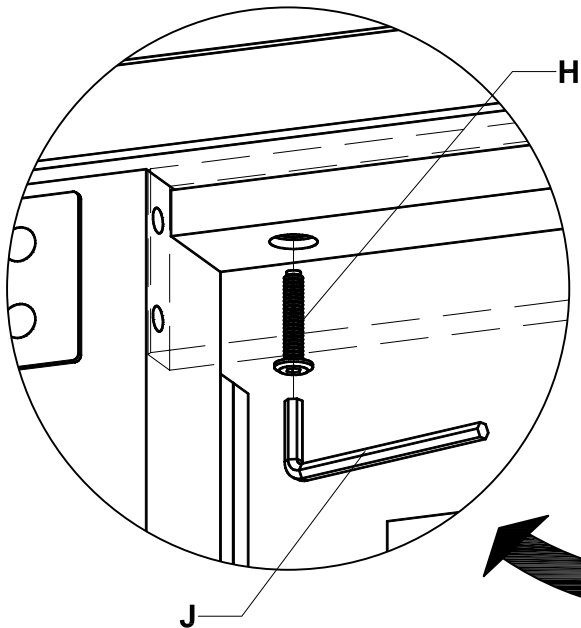
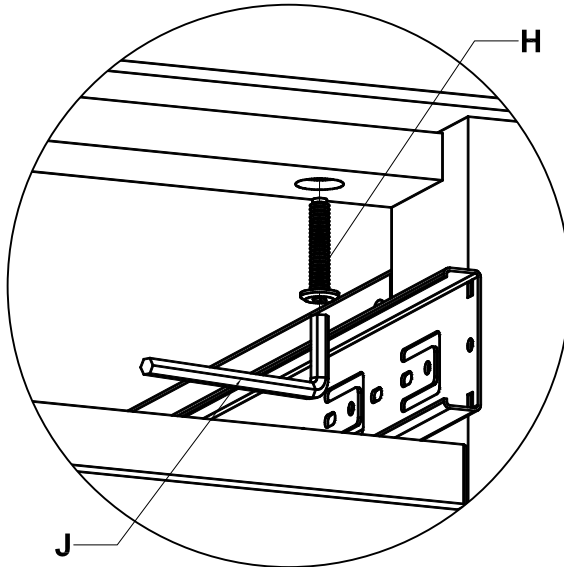
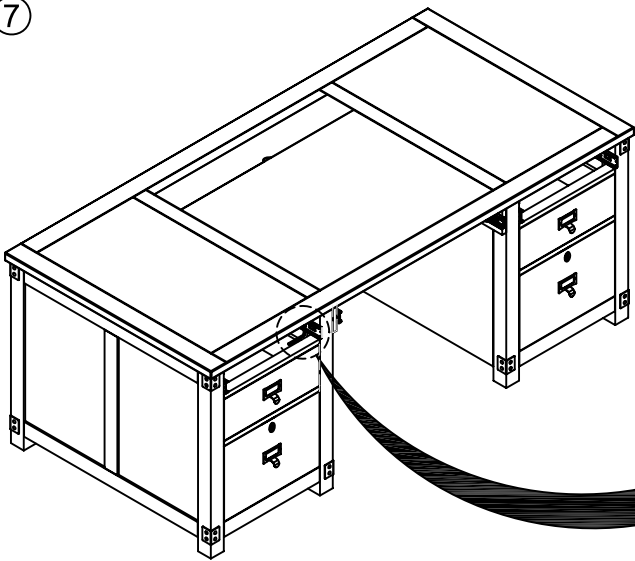
⑥



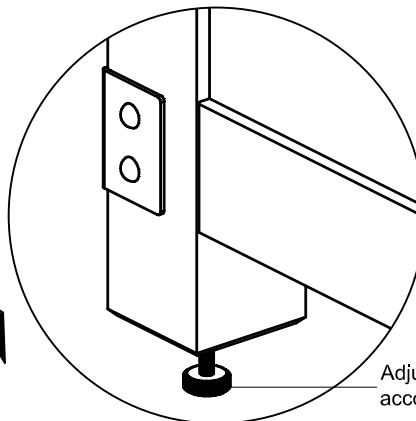
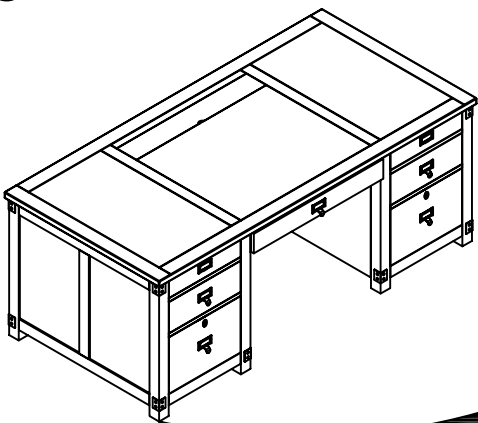
# ASSEMBLY INSTRUCTIONS

## TELEGRAPH - EXECUTIVE DESK

7



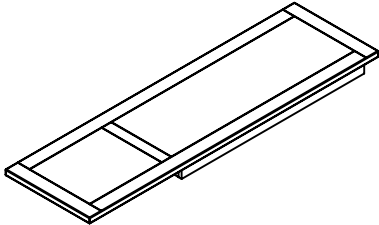
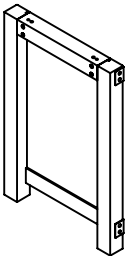
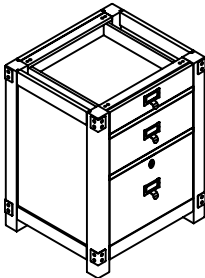
8

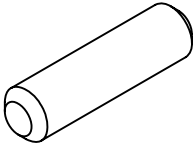
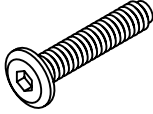
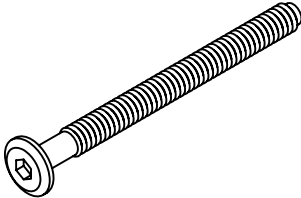
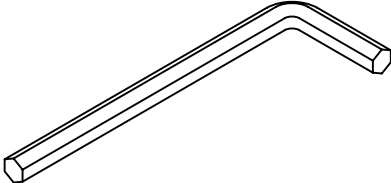


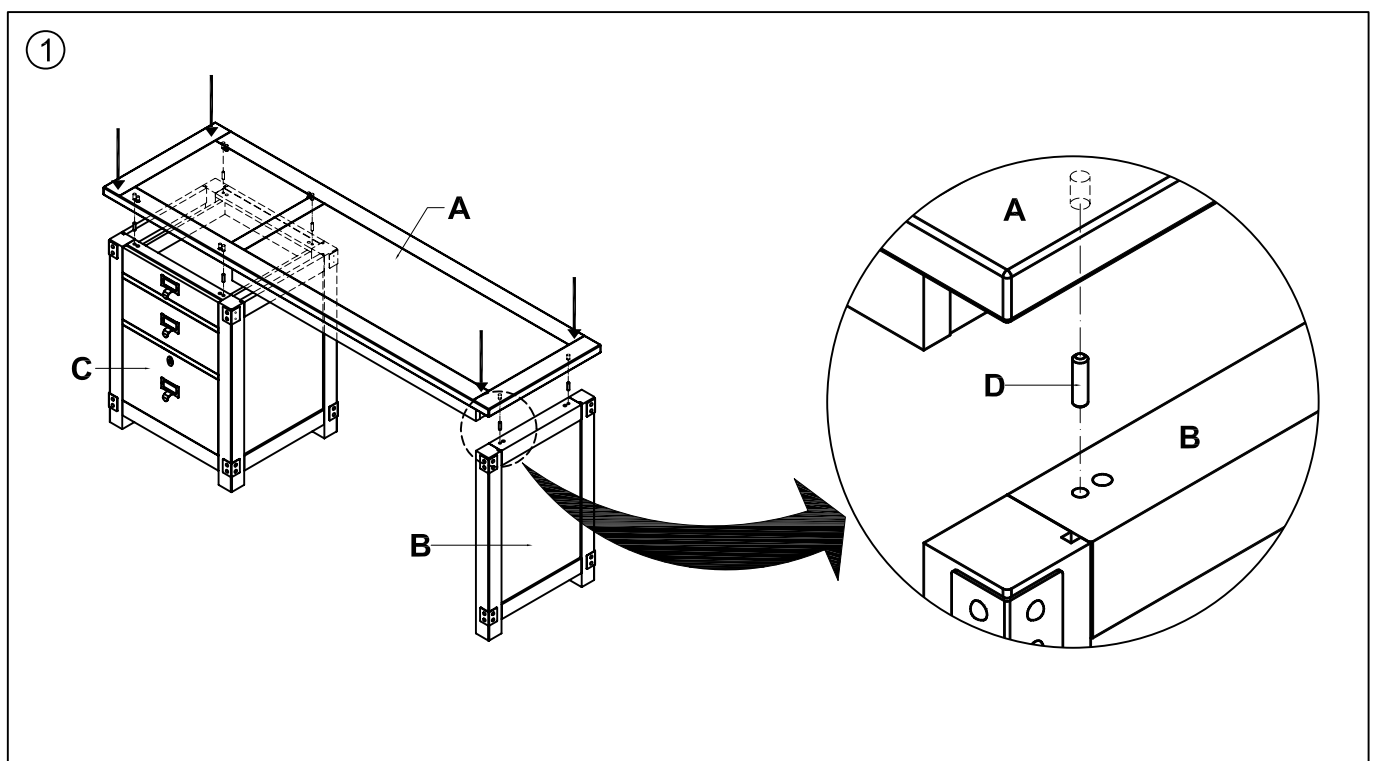
Adjust levellers according to the floor

# ASSEMBLY INSTRUCTIONS

## TELEGRAPH - RETURN DESK

NO.	PARTS LIST	QTY
(A)		1 pc
(B)		1 pc
(C)		1 pc

NO.	PARTS LIST	QTY
(D)		6 pcs
(E)		8 pcs
(F)		2 pcs
(G)		1 pc

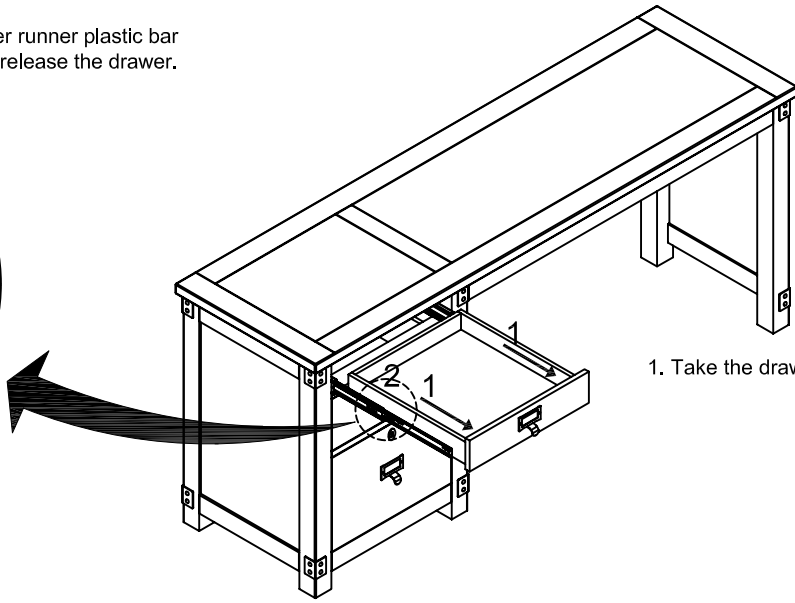
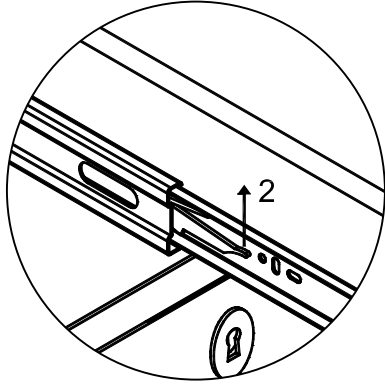


# ASSEMBLY INSTRUCTIONS

## TELEGRAPH - RETURN DESK

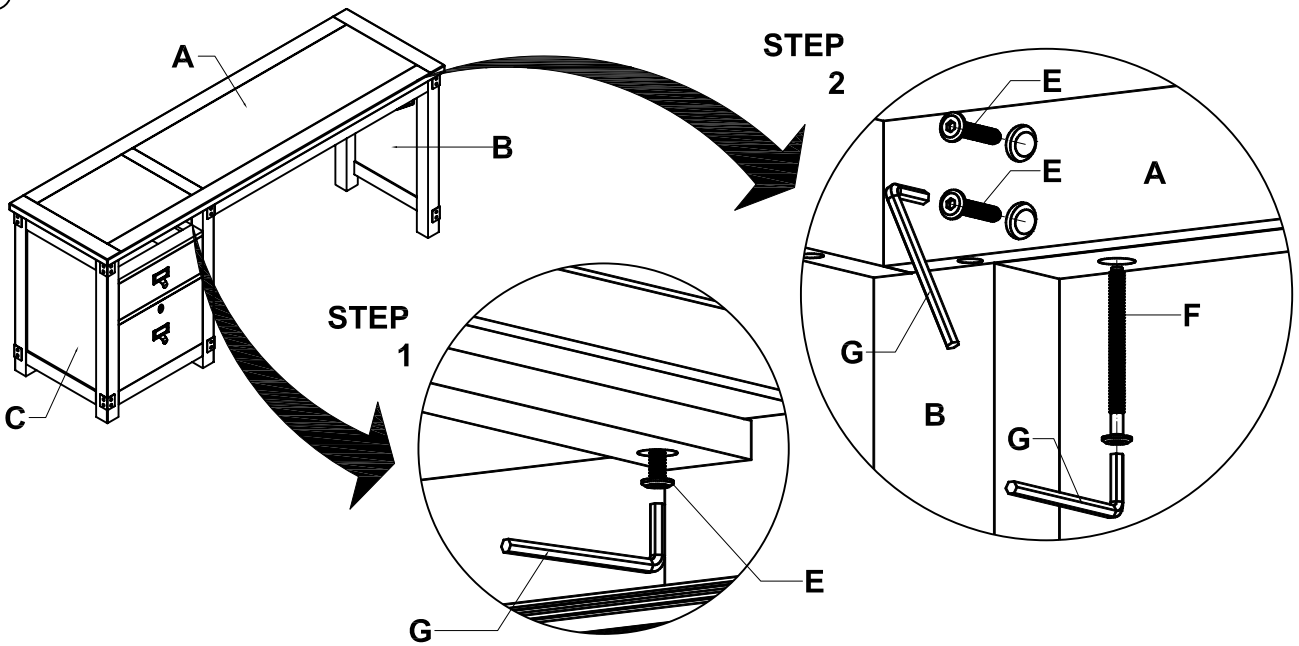
②

2. Pull the drawer runner plastic bar (black) up, to release the drawer.



1. Take the drawer off.

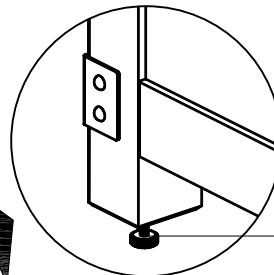
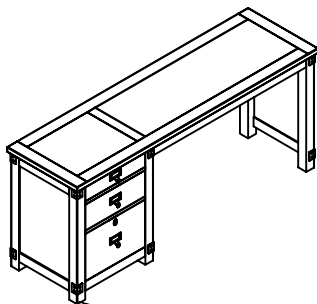
③



STEP 2

STEP 1

④



Adjust levellers according to the floor

# DESK PARTS SKUS

Super Category	Product ID	Description	Collection	Route
DESK	91TELEPLATE	TELE PLATE FRAME NO HANDLE	PT-TELGRPH	
DESK	91511TEL4ROD	TELEGRAPH 4 DRWR FILE ROD SET	PT-TELGRPH	PART
DESK	91511TELTIP	TELEGRAPH ANTI-TIP KIT TELEGRAPH ANTI-TIP KIT	PT-TELGRPH	PART
DESK	91TELETRAY	TELEGRAPH COMP CAB CORD TRAY	PT-TELGRPH	PART
DESK	91TELELIDSTAY	TELEGRAPH COMP CAB LID STAY 130-233	PT-TELGRPH	PART
DESK	55TELDRFRLTC	TELEGRAPH DRAWER FRONT LTCH	PT-TELGRPH	PART
DESK	91511TELCORN	TELEGRAPH DSK CRNR BRKT BRASS 4 911725SGLNL NEED FOR EACH	PT-TELGRPH	PART
DESK	91511TELSLIDE	TELEGRAPH DSK DRWR SLIDE single ext drawer slide	PT-TELGRPH	PART
DESK	91511TELROD	TELEGRAPH DSK FILE ROD SET	PT-TELGRPH	PART
DESK	91511TELDSKHAND	TELEGRAPH DSK HANDLE BROWN 130A351	PT-TELGRPH	PART
DESK	91TELDSKWHND	TELEGRAPH DSK HANDLE WHITE 130 - 351	PT-TELGRPH	PART
DESK	91TELDSK1	TELEGRAPH DSK NUMBER PLATE 1	PT-TELGRPH	PART
DESK	91TELDSK2	TELEGRAPH DSK NUMBER PLATE 2	PT-TELGRPH	PART
DESK	91TELDSK3	TELEGRAPH DSK NUMBER PLATE 3	PT-TELGRPH	PART
DESK	91TELDSK4	TELEGRAPH DSK NUMBER PLATE 4	PT-TELGRPH	PART
DESK	91TELDSK5	TELEGRAPH DSK NUMBER PLATE 5	PT-TELGRPH	PART
DESK	91TELDSK6	TELEGRAPH DSK NUMBER PLATE 6	PT-TELGRPH	PART
DESK	91TELDSK7	TELEGRAPH DSK NUMBER PLATE 7	PT-TELGRPH	PART
DESK	91TELDSK8	TELEGRAPH DSK NUMBER PLATE 8	PT-TELGRPH	PART
DESK	91511TELRT	TELEGRAPH EXEC DESK DRWR CATCH RIGHT SIDE	PT-TELGRPH	PART
DESK	91511TELLFT	TELEGRAPH EXEC DESK DRWR CATCH LEFT DRAWER	PT-TELGRPH	PART
DESK	91511TELDRWSLD	TELEGRAPH EXEC DESK DRWR SLIDE DOUBLE EXT DRAWER SLIDE	PT-TELGRPH	PART
DESK	91511TELESC	TELEGRAPH EXEC DESK ESCUTCHEON	PT-TELGRPH	PART
DESK	91511TELEXHW	TELEGRAPH EXEC DESK HDW	PT-TELGRPH	PART
DESK	91511TELNHNGTP	TELEGRAPH EXEC DESK HINGE TOP	PT-TELGRPH	PART
DESK	91511TELKEY	TELEGRAPH EXEC DESK KEY GOLD	PT-TELGRPH	PART
DESK	91TELEKEY	TELEGRAPH EXEC DESK KEY SILVER	PT-TELGRPH	PART
DESK	91511TELPAD	TELEGRAPH EXEC DESK PAD BLK 130A351	PT-TELGRPH	PART
DESK	91TELEGPAD	TELEGRAPH EXEC DESK PAD GREY	PT-TELGRPH	
DESK	91TELEWHPAD	TELEGRAPH EXEC DESK PAD WHITE	PT-TELGRPH	PART
DESK	91TELEEXFRHLD	TELEGRAPH EXEC FILE ROD HOLDER 130A351	PT-TELGRPH	PART
DESK	91TELBRSHLF	TELEGRAPH EXEC FRONT SHELF BRN 55TELEEXDK3	PT-TELGRPH	PART
DESK	55TELKYHLCVR	TELEGRAPH KEY HOLE COVER	PT-TELGRPH	PART
DESK	91511TELBOX	Telegraph lock DESK, 4 DRAWER, FILE BOX LOCK	PT-TELGRPH	PART
DESK	55TELELKPLT	TELEGRAPH LOCK PLATE	PT-TELGRPH	PART
DESK	91TELE3PLGMD	TELEGRAPH MEDIA 3-PLUG OUTLET	PT-TELGRPH	PART
DESK	91TELENUMBRS	TELEGRAPH NUMBERS TELEGRAPH	PT-TELGRPH	PART
DESK	91511TELRTN	TELEGRAPH RTRN DSK ASSEM HDW	PT-TELGRPH	PART
DESK	91TELSMDSKHW	TELEGRAPH SM DESK ASSEM HDW 130 - 353	PT-TELGRPH	PART
DESK	91511TELDIV	TELEGRAPH WORKERS CAB DIVIDER	PT-TELGRPH	PART

# ARHAUS®

your home

## tremont



### Executive Desk

71" w x 31.5" d x 30" h

Dry Branch Natural

Dry Branch Black

Midnight Java

55TREMNAEXDKKTBH

55TREMEXDKKTBH

55TREMREXDKKTBH

### Finishes:



Dry Branch  
Natural



Dry Branch  
Black



Midnight  
Java

## historically inspired

Inspired by 18th and 19th century campaign furnishings—originally designed for easy transport and assembly—our Tremont Collection's sophisticated aesthetic is defined by rugged yet elegant details reminiscent of the original style. Craftsman-built using solid hardwood and veneers, this durable collection is beautifully hand-finished with soft stains—selected to enhance the natural texture and dramatic grain found within in each surface. Every comfortable piece is adorned with brass hardware amongst other classic accents to create a vintage-inspired theme within your space.

## product details

- ▶ Frames are constructed from solid mindi wood and thick mindi veneers, with strength similar to ash and oak hardwoods.
- ▶ Distressed and weathered finishes are wire-brushed to accentuate the hardwood frames' natural grain and texture; then lacquered for added protection and a subtle sheen.
- ▶ Drawers are set on full-extension, metal, ball-bearing glides for smooth motion and easy removal.
- ▶ Rich, hand-applied finishes are complemented by Antique Brass hardware.
- ▶ Executive desk features a keyboard tray on wooden glides and drawers for files and supplies.
- ▶ File drawers are adjustable to fit legal and standard-size files.
- ▶ Bookcases include convenient drawers for small- or loose-item storage.
- ▶ Adjustable/removable shelves are made with mindi veneers over plywood to maintain structural stability.
- ▶ Wide Bookcase features a 40.5" w x 15" d x 44" h interior cavity.
- ▶ Keep your furniture looking its best. Visit [arhaus.com](http://arhaus.com) or speak to any Arhaus Design Consultant for care recommendations.





# ARHAUS®

your home



### Credenza Table

65" w x 22" d x 30" h  
 Dry Branch Natural  
 Dry Branch Black  
 Midnight Java

55TRENTCRDBH  
 55TREMCREDBH  
 55TREBRCRDBH



### 4-Drawer File

21.5" w x 19.5" d x 60.5" h  
 Dry Branch Natural  
 Dry Branch Black  
 Midnight Java

55TREM4FILEBH  
 55TREM4FILEBH  
 55TREM4FILEBH



### Narrow Bookcase

23.5" w x 16" d x 67.5" h

Dry Branch Natural 55TREM22FLBH  
 Dry Branch Black 55TREM22FLBH  
 Midnight Java 55TREM22FLBH



### Wide Bookcase

44.5" w x 16" d x 67.5" h

Dry Branch Natural 55TREM22FLBH  
 Dry Branch Black 55TREM22FLBH  
 Midnight Java 55TREM22FLBH



### 2-Drawer File

22" w x 20" d x 22.5" h

Dry Branch Natural 55TREM22FLBH  
 Dry Branch Black 55TREM22FLBH  
 Midnight Java 55TREM22FLBH

**Delivery:** Please have filler sticks on hand for switching leather handles to brass. Leather handles have a sharp tooth that goes into the wood to keep the bracket in place. The hole is visible, but filler stick is easy, quick, and does the trick!

*Sometimes the hole can be on top or below for horizontal handles, and either left or right for vertical handles.*



Collection: **ALL TREMONT**

Brass Handle SKUs:  
**TREHANDPK1**  
**TREHANDPK2**  
**TREHANDPK3**

**Delivery:**

Tremont brass handle SKUs will not show on your delivery manifest as these will be directly mailed to the customer prior to case piece delivery.

There should be a note from the sales associate which asks for you to install brass handles upon delivery.

Please leave the leather handles and assembly instructions with the client.

They own the leather handles.

Brass Handle SKUs:

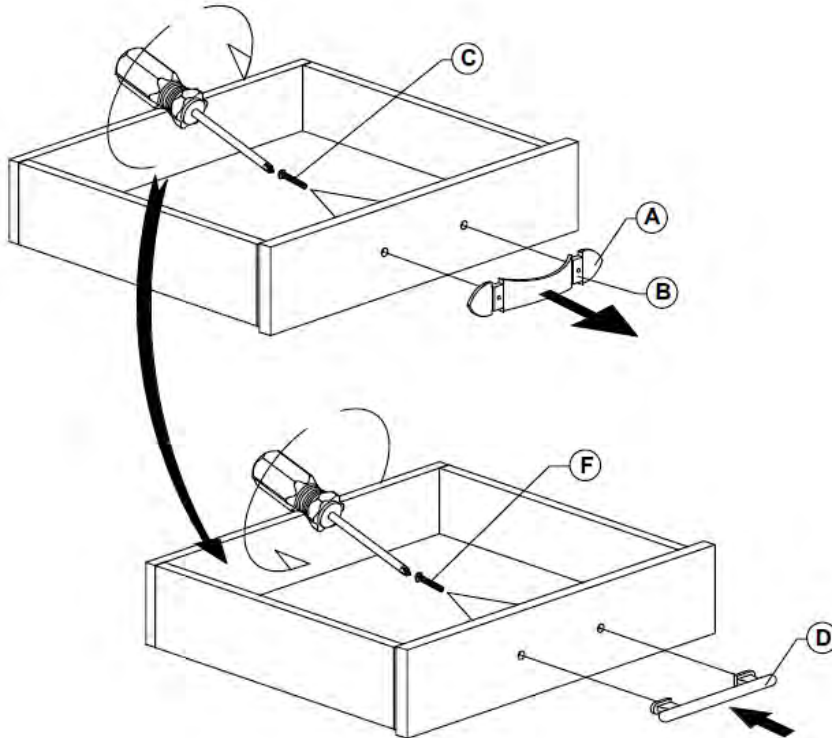
**TREHANDPK1**

**TREHANDPK2**

**TREHANDPK3**

## ASSEMBLY INSTRUCTION TREMONT PULL

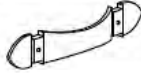

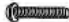
1






Remove all pieces of the leather handle and store pieces together. Choose 30mm screws (E) for Tremont doors or 35mm screws (F) for Tremont drawers.

Use a small Phillips head screw driver for installation

### LEATHER HANDLE

A		1 Pc
B		2 Pcs
C		1-1/4"(32mm) - 2 Pcs

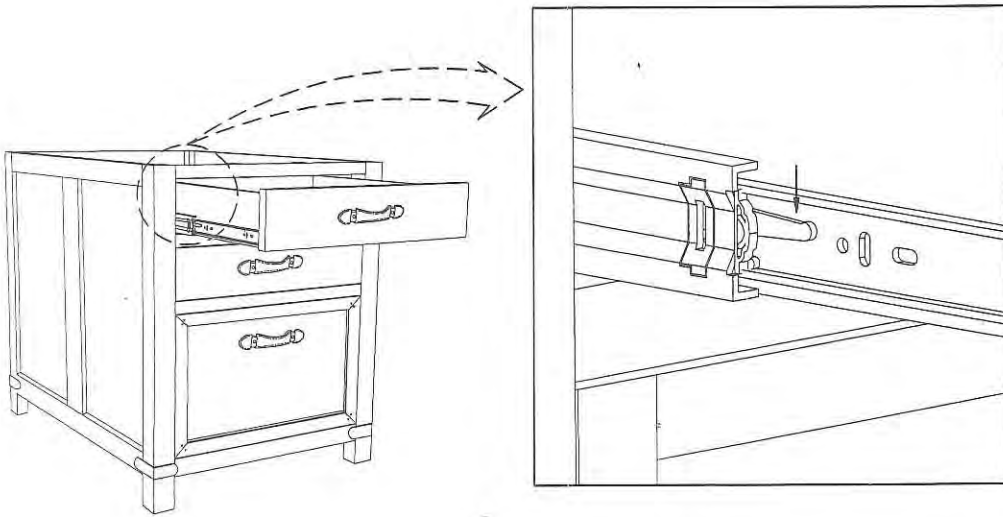
### BRASS HANDLE

D =		1 Pc
E =		30mm - 2 Pcs
F =		35mm - 2 Pcs

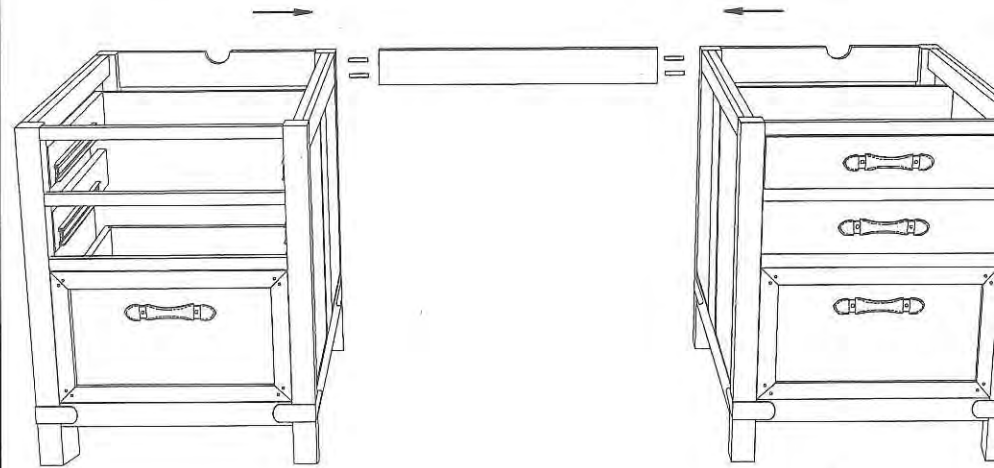
## Hardware Kit (799.030)

A =  = 8 Pcs

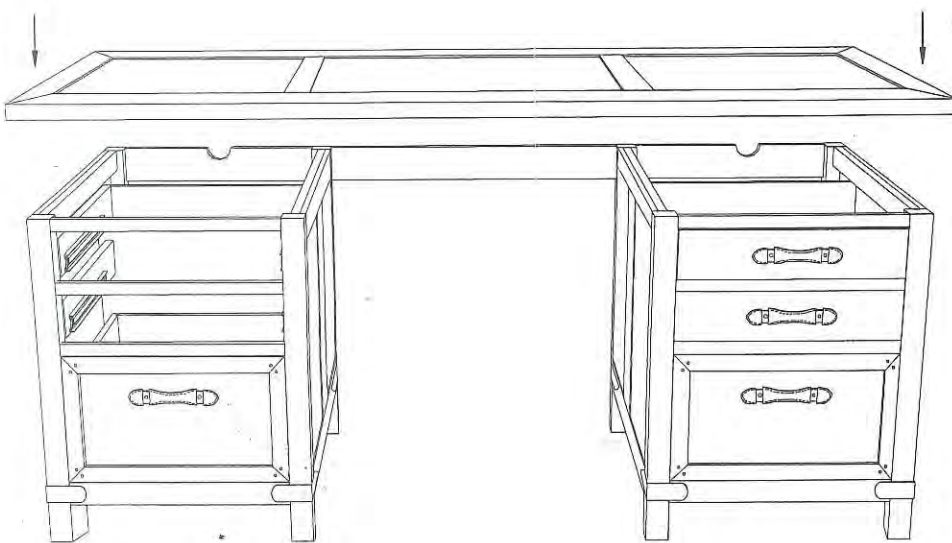
1. Remove drawers in left unit



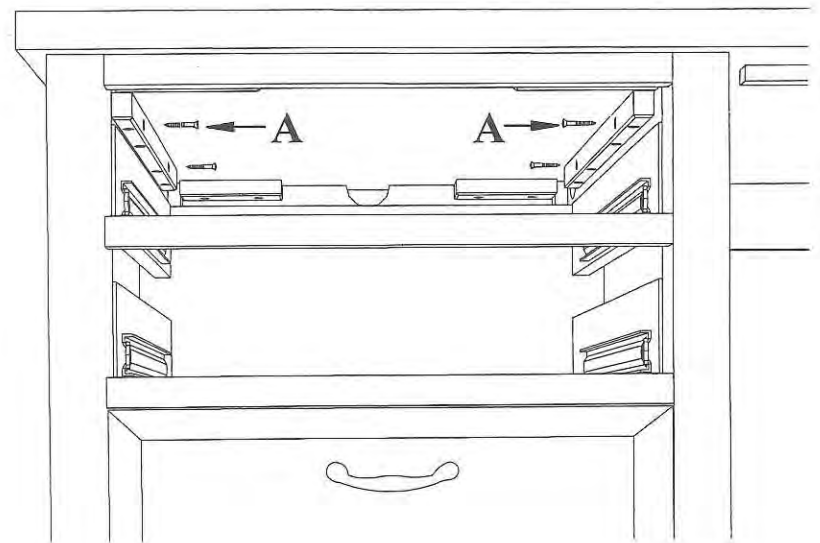
2. Install back apron with dowels



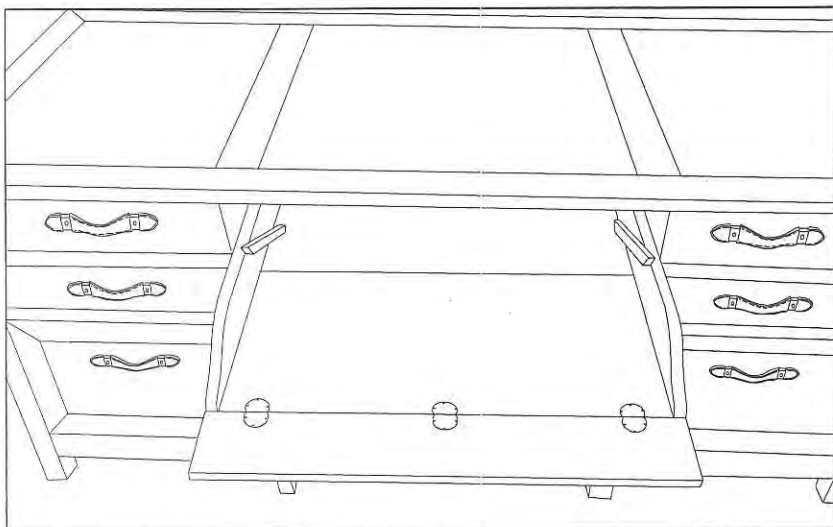
3. Install top



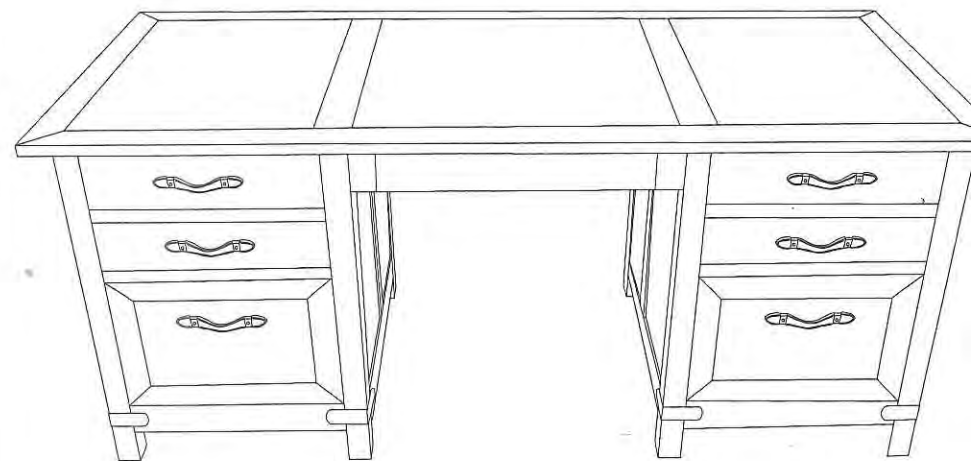
4. Attach top with screw



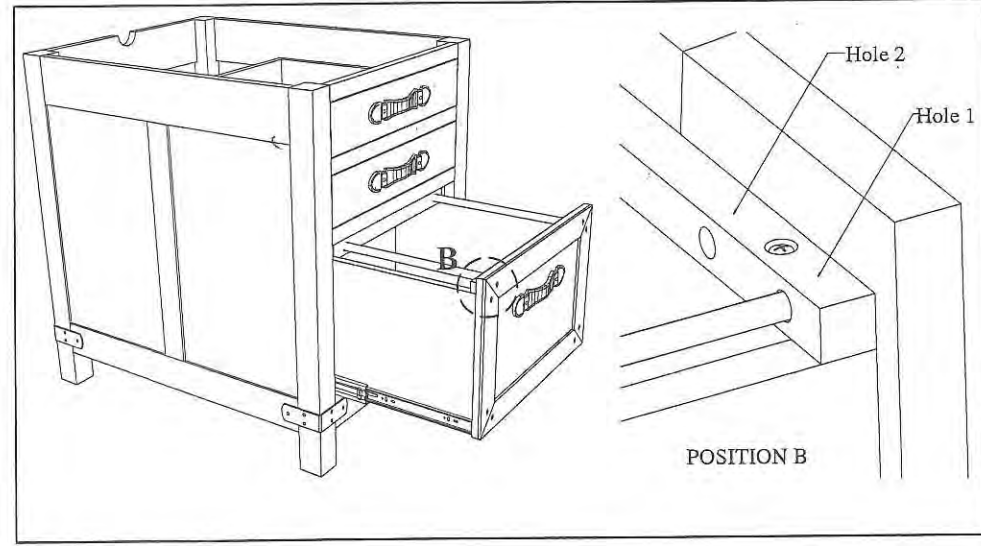
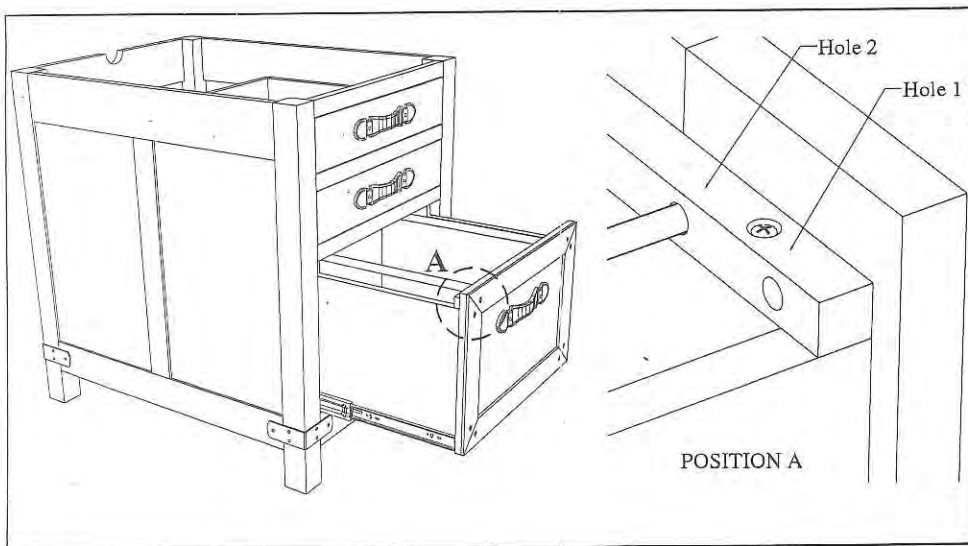
5. Insert the keyboard drawer by gently guiding the side rails in between the two base cabinets to the rails, all the way in, gently pulling out again to make sure the stop guide are in the right position.



6. Inserting the four drawers one by one.

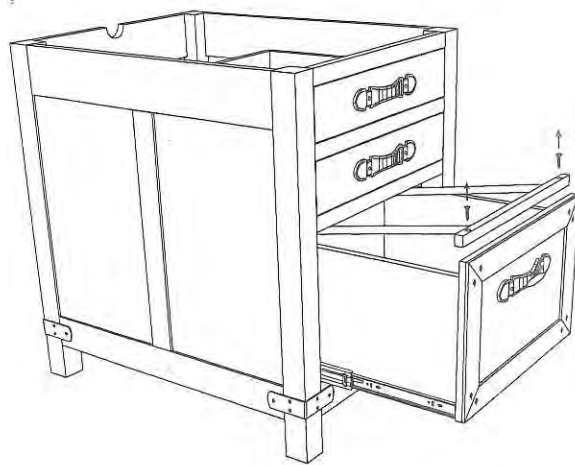


The Alumunium kit for file drawers can be attached in 2 hole positions as on the drawing.

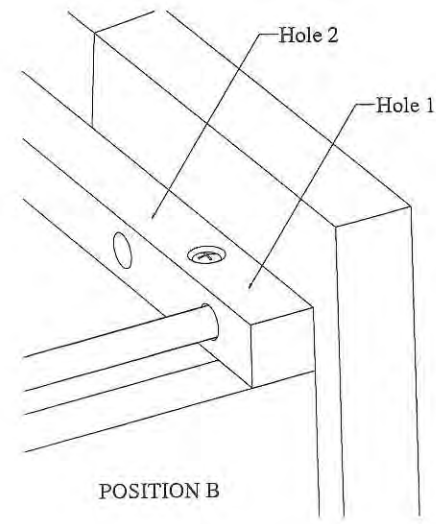
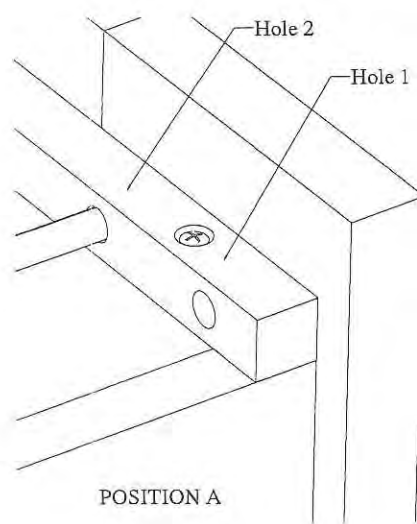


To remove the alumunium kit for the file drawers follow these instructions below.

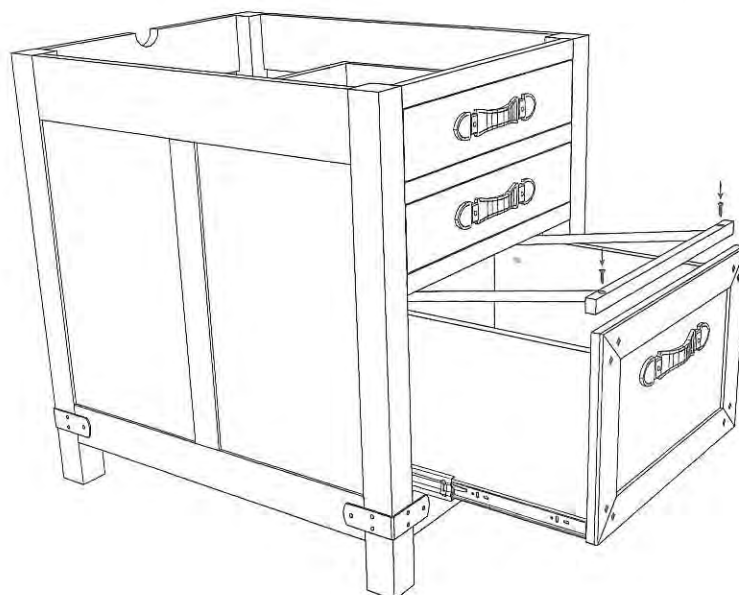
1. Untight screw, pull up and take out the wood holder together with alumunium rod.



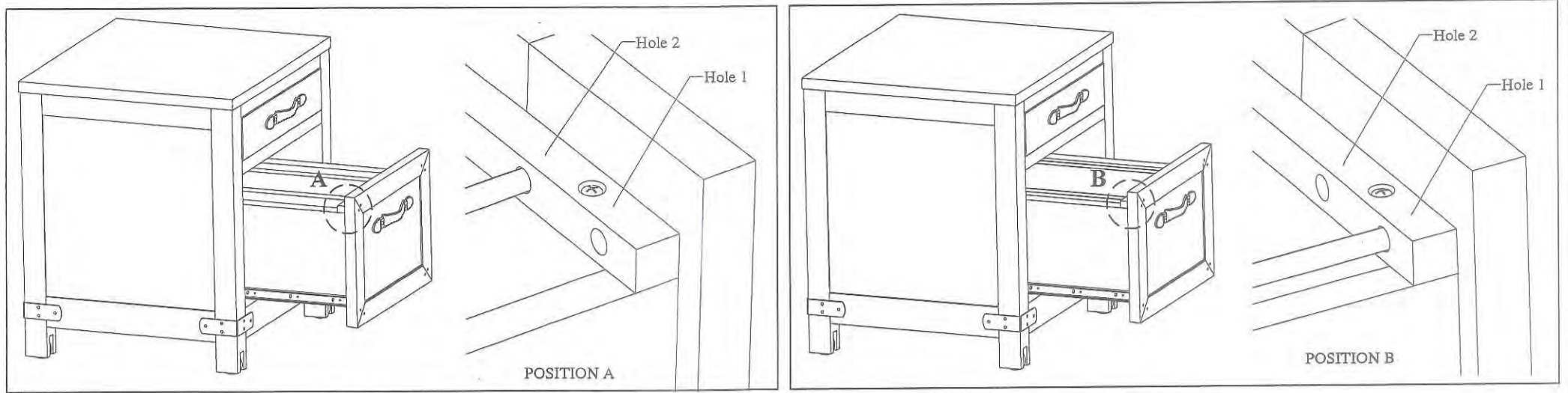
2. Move the alumunium rod as on drawing.



3. Attach the alumunium rod back into the drawer, make sure the end of alumunium put in the right hole of the wood holder inside the drawer. Lock the wood holder with screw.

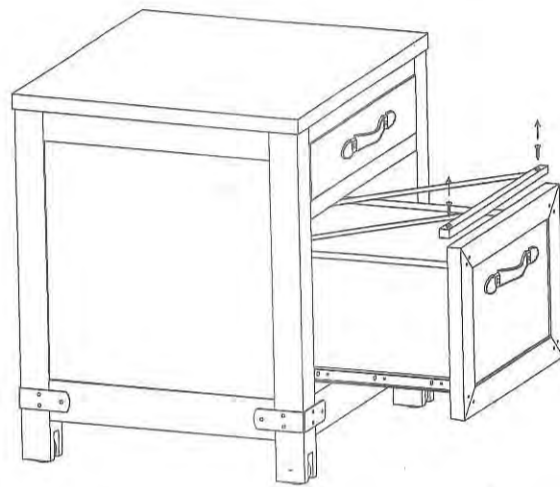


The Alumunium kit for file drawers can be attached in 2 hole positions as on the drawing.

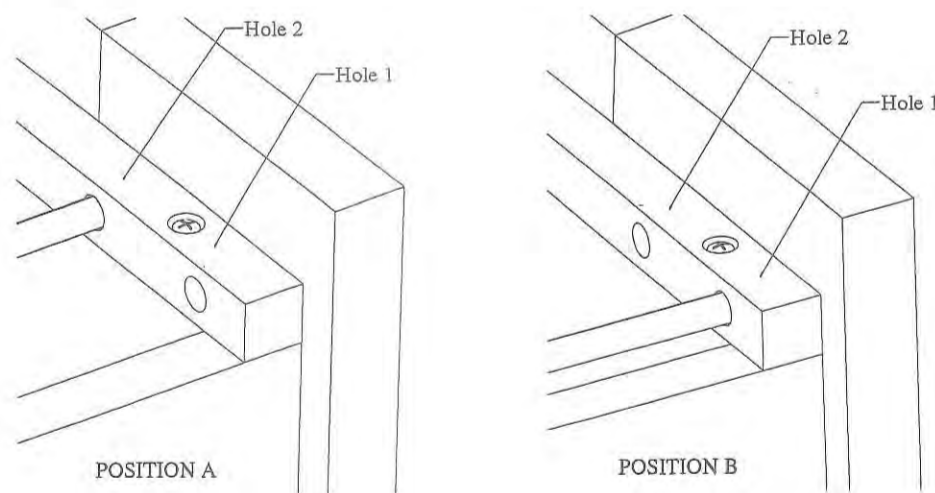


To remove the alumunium kit for the file drawers follow these instructions below.

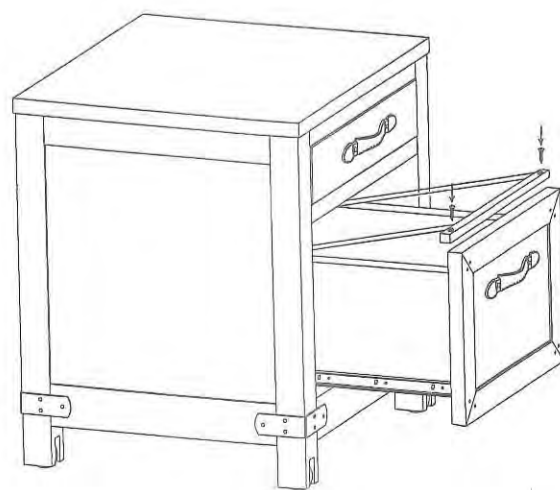
1. Untight screw, pull up and take out the wood holder together with alumunium rod.



2. Move the alumunium rod as on drawing.



3. Attach the alumunium rod back into the drawer, make sure the end of alumunium put in the right hole of the wood holder inside the drawer. Lock the wood holder with screw.

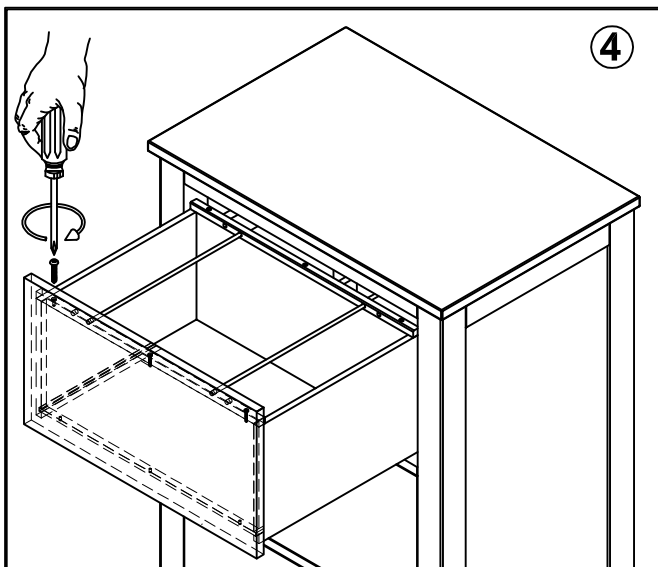
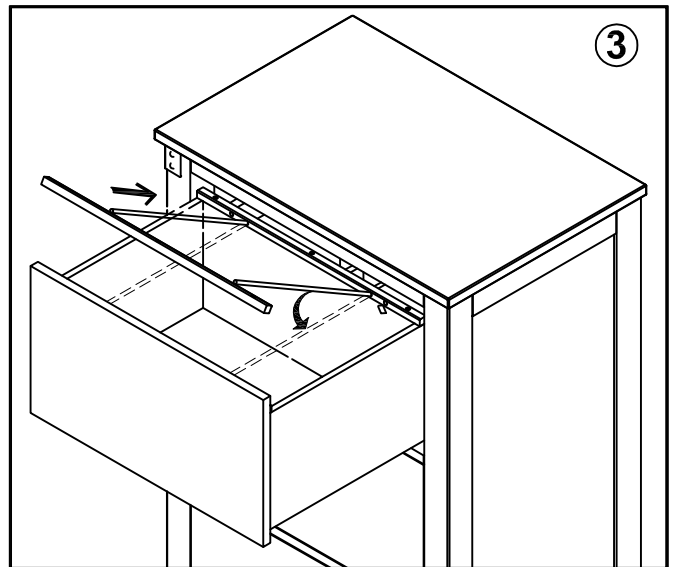
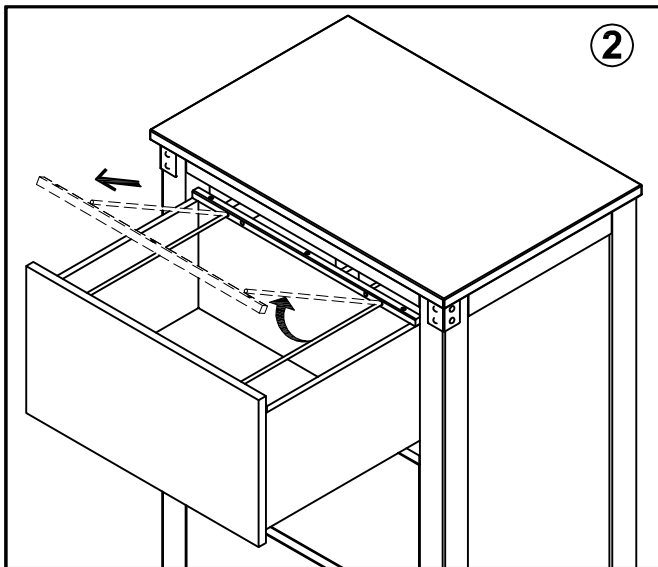
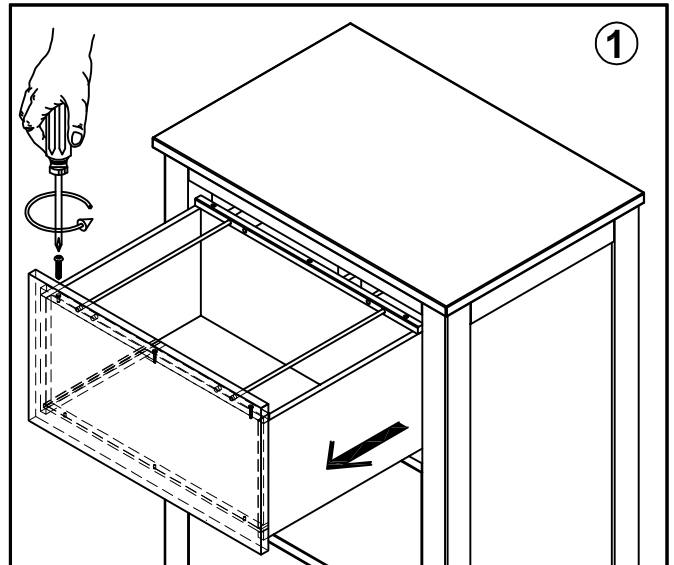
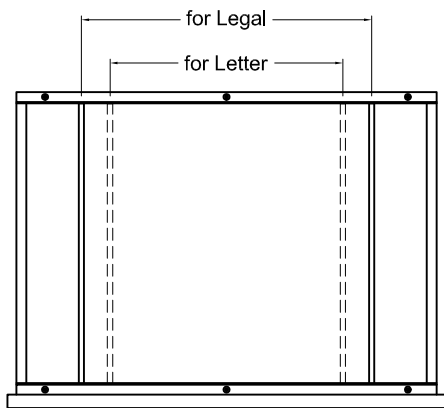


# DESK PARTS SKUS

Super Category	Product ID	Description	Collection	Route
DESK	91378TREBRBL	TREMONT CLOTHING BAR BLACK	PT-TREMONT	PART
DESK	91378TREBRBR	TREMONT CLOTHING BAR BROWN	PT-TREMONT	PART
DESK	91378HANDDBR	TREMONT HANDLE LTH FOR BLK/NAT DESK - FOR BLK & NAT FINISH	PT-TREMONT	PART
DESK	91378HANDLTBR	TREMONT LEATHER HANDLE FOR BRN DESK - FOR BROWN FINISH	PT-TREMONT	PART
DESK	91378BRACKBL	TREMONT LTHR HNDL BRACKET BLK BRACKET AND SCREWS	PT-TREMONT	PART
DESK	91378BRACKBR	TREMONT LTHR HNDL BRACKET BRWN BRACKET AND SCREWS	PT-TREMONT	PART
DESK	91TREM0DHNDDBR	TREMONT MOD LTHR PULL DARK BRN FOR BROWN FINISH	PT-TREMONT	PART
DESK	91TREM0DHNDL	TREMONT MOD LTHR PULL LIHT BRN FOR BLACK FINISH	PT-TREMONT	PART
DESK	91378BED350	TREMONT STOR BED DRWR RUNNER 2 SET	PT-TREMONT	PART



# FILE ROD ADJUSTMENT



# DESK PARTS SKUS

Super Category	Product ID	Description	Collection	Route
DESK	91DRWGLD12	DRAWER GLIDE 12	PT-UNIV	PART
DESK	91DRWGLD18	DRAWER GLIDE 18	PT-UNIV	PART
DESK	91STOREGLID	STORE FIXTURE GLIDE QTY 1 GLIDE	PT-UNIV	PART
DESK	91378EWDSUP	wooden drop down door support WOOD SUPPORT	PT-UNIV	PART

Super Category	Product ID	Description	Stat	Collection	Route
DESK	91511METBAR	ALDERSON COMP CAB 15" FILE ROD 15" FILE ROD	A	PT-ALDESN	PART
DESK	91511DROPHIN	ALDERSON COMP CAB DOOR HINGE HINGE	A	PT-ALDESN	PART
DESK	91511LATFILFX	ALDERSON COMP CAB FILE ROD 12 3/4" ADJUSTABLE FILE ROD	A	PT-ALDESN	PART
DESK	91ALDCMPROD	ALDERSON COMP CAB FILE ROD	D	PT-ALDESN	PART
DESK	91511FOLDFIT	ALDERSON COMP CAB HANG FITTING HANGING FOLDER FITTING	A	PT-ALDESN	PART
DESK	91511SMHINGE	ALDERSON COMP CAB HINGE SM HINGE	A	PT-ALDESN	PART
DESK	91ALDCCESAKT	ALDERSON COMP CAB SOCCET ASSEM ELECTRICAL SOCCET ASSEMBLY	A	PT-ALDESN	PART
DESK	91ALDDSKFTLVL	ALDERSON DESK FOOT LEVELERS FOOT LEVELERS	A	PT-ALDESN	PART
DESK	91ALDDSKGLDS	ALDERSON DSK ADJUST GLIDES GLIDES	A	PT-ALDESN	PART
DESK	91511ALDKEYGLIDE	ALDERSON DSK CENTER DRW GLIDE CENTER DRAWER GLIDE	A	PT-ALDESN	PART
DESK	91511HGBARAD	ALDERSON DSK HANGING BAR ALUMINUM ADJUSTABLE BAR	A	PT-ALDESN	PART
DESK	91511KEYHINGE	ALDERSON DSK KEYBOARD HINGE KEYBOARD TRAY HINGE	A	PT-ALDESN	PART
DESK	91511HGBARFIX	ALDERSON HANGING BAR FIXED HANGING BAR	A	PT-ALDESN	PART
DESK	91511ALDKNOB	ALDERSON KNOB KNOB	A	PT-ALDESN	PART
DESK	91511LATFILADJ	ALDERSON LATERAL FILE ROD 1 PIECE	A	PT-ALDESN	PART
DESK	91511ALDPULL	ALDERSON PULL PULL	A	PT-ALDESN	PART
DESK	91854ALCAPS	ALEX DESK CHAIR CAPS WOOD 5PC CAPS	D	PT-ALEX	PART
DESK	91854ALCYL	ALEX DESK CHAIR CYLINDER CYLINDER	D	PT-ALEX	PART
DESK	91854ALMECH	ALEX DESK CHAIR MECH MECHANISM	A	PT-ALEX	PART
DESK	91DESKCHRAH	ALEX/ADDY/JAYNA ASSEMBLY HW DESK CHAIR REPLACEMENT PARTS	T	PT-ALEX	PART
DESK	91DESKCHCASTOR	ALEX/ADDY/JAYNA CASTOR 1 UNIT = 1 CASTOR	A	PT-ALEX	PART
DESK	91854ALEXCAST	ALEX/ADDY/JAYNA CASTOR 1 UNIT = 1 CASTOR	A	PT-ALEX	PART
DESK	91DESKCHRCYL	ALEX/ADDY/JAYNA CYLNDR/PISTON DESK CHAIR REPLACEMENT PART	T	PT-ALEX	PART
DESK	91DESKCHRBS	ALEX/ADDY/JAYNA DESK CHR BASE REPLACEMENT 5 ARM BASE	T	PT-ALEX	PART
DESK	91DESKBELLOW	DESK CHAIR REPLACEMENT BELLOW DESK CHAIR REPLACEMENT PART	T	PT-ALEX	PART
DESK	91ARGTASHWPT1	ARGENT DSK ASM HW PRT 1 OF 2 PART 1 OF 2	D	PT-ARGENT	PART
DESK	91ARGTASHWPT2	ARGENT DSK ASM HW PRT 2 OF 2 PART 2 OF 2	D	PT-ARGENT	PART
DESK	91ATHEXASHW	ATHENS ASMBLY HW FOR NIMBS STR PEWTER HW FOR NIMBUS STRATUS	A	PT-ATHENS	PART
DESK	91ATHDKBSHLF	ATHENS DESK SHELF BLACK SHELF PART FOR EXEC DESK	A	PT-ATHENS	PART
DESK	91ATHDKNSHLF	ATHENS DESK SHELF NIMBUS SHELF PART FOR EXEC DESK	A	PT-ATHENS	PART
DESK	91ATHDKSSHFLF	ATHENS DESK SHELF STRATUS SHELF PART FOR EXEC DESK	A	PT-ATHENS	PART
DESK	91ATHDSHLFSFP	ATHENS DESK SHLF SPRT BLACK SHELF PART FOR EXEC DESK	A	PT-ATHENS	PART
DESK	91ATHNSHLFSFP	ATHENS DESK SHLF SPRT NIMBUS SHELF PART FOR EXEC DESK	A	PT-ATHENS	PART

Super Category	Product ID	Description	Stat	Collection	Route
DESK	91ATHSSHLFSP	ATHENS DESK SHLF SPRT STRATUS SHELF PART FOR EXEC DESK	A	PT-ATHENS	PART
DESK	91ATHENSHINGE	ATHENS DSK METAL HINGE STRATUS 1 UNIT = 1 METAL HINGE	A	PT-ATHENS	PART
DESK	91ATHEXHW	ATHENS EXEC DESK ASSMB HW BLK ANTIQUE FINISH FOR ATHENS BLK	A	PT-ATHENS	PART
DESK	91ATHEXSS	ATHENS EXEC DESK SHLF SPRT BLK SHELF SUPPORT BLACK	A	PT-ATHENS	PART
DESK	91511ATHWRTDSK	ATHENS WRITING DESK ASSEM HDW HARDWARE	A	PT-ATHENS	PART
DESK	91BODCASTER	BODHI DESK CASTER FOR FILE AND CABINET QTY 1	A	PT-BODHI	PART
DESK	91BROCKHNDL	BROCK DRWR HANDLES BROCK PART	A	PT-BRK-DSK	PART
DESK	91BRKDRHINGE	BROCK CMP CAB DOOR HINGES PART 1 UNIT	A	PT-BRK-DSK	PART
DESK	91BRKFLPHNG	BROCK COM CAB FLAP HINGES PART 1 UNIT	A	PT-BRK-DSK	PART
DESK	91BRKLEVELER	BROCK COMP CAB LEVELER PART 1 UNIT	A	PT-BRK-DSK	PART
DESK	91BRKLIDSTAY	BROCK COMP CAB LID STAY PART 1 UNIT	A	PT-BRK-DSK	PART
DESK	91BRKDRWRGLD	BROCK DRWR GLDS UNDER MOUNTS DESK COMP CABINET. SET OF 2.	A	PT-BRK-DSK	PART
DESK	91BROCKDRGL	BROCK DRWR SIDE MOUNT GLIDES DESK. SET OF 2.	A	PT-BRK-DSK	PART
DESK	91BROCKJCBC	BROCK JCBC SCREW 6 X 15MM QTY 1 SCREW	A	PT-BRK-DSK	PART
DESK	91DIVYADRGL	DIVYA DESK DRAWER GLIDE BI-614 INCLUDES 2 GLIDES	D	PT-DIVYA	PART
DESK	91DIVYAGLIDE	DIVYA DESK GLIDE DIVYA	A	PT-DIVYA	PART
DESK	91DIVYALEG	DIVYA DESK REPLACEMENT LEG REPLACEMENT PART	A	PT-DIVYA	PART
DESK	91FCTDRWRGLD	FACTORY ALL DSK DRWR GLIDES X2 SET OF 2	A	PT-FCT-DSK	PART
DESK	91FCTMEDIAOT	FACTORY DESK MEDIA OUTLET MEDIA OUTLET	A	PT-FCT-DSK	PART
DESK	91FCTEXCHW	FACTORY EXEC DESK ASSEMBLY HW EXEC DESK HW	A	PT-FCT-DSK	PART
DESK	91FCTEXCRTNH	FACTORY EXEC/RETURN HANDLE X1 1 HANDLE	A	PT-FCT-DSK	PART
DESK	91FCTRTNCHW	FACTORY RETURN DSK ASSEMBLY HW RETURN DESK HW	A	PT-FCT-DSK	PART
DESK	91FCTWRTHNDL	FACTORY WRITING DESK HANDLE X1 1 HANDLE	A	PT-FCT-DSK	PART
DESK	91FCTWRTCHW	FACTORY WRTNG DSK ASSEMBLY HW WRITING DESK HW	A	PT-FCT-DSK	PART
DESK	91GAGEDSKCAS	GAGE DESK CASTOR WHEEL CASTOR WHEEL	A	PT-GAGE	PART
DESK	91INDCRSCRWS	IND CRNK BASE DECOR SCREW 55INDCRDKBS3	A	PT-INDCRNK	PART
DESK	91FILDT86BHDL	IND CRNK BASE HANDLE HANDLE FOR WHEEL	A	PT-INDCRNK	PART
DESK	91FILDT86BWHL	IND CRNK BASE WHEEL -FOR LG DK WHEEL - TO CRANK DESK	A	PT-INDCRNK	PART
DESK	91INDCKBOLTS	IND CRNK BOLTS ON PEN HOLDR SET OF 2 BOLTS	A	PT-INDCRNK	PART
DESK	91INDCRKHDWR	IND CRNK DRAFT TBL HRDWR KIT HARDWARE	A	PT-INDCRNK	PART
DESK	91INDPNCLHLD	IND CRNK DRAFT TBL PNCL HLDR 55INDCDTKT	A	PT-INDCRNK	PART
DESK	91INDCRNKLOCK	IND CRNK LOCK STARBOLT LOCK	A	PT-INDCRNK	PART
DESK	55INDLFRSBKT	IND CRNK RISR BRKT LFT LEFT RISER BRACKET	A	PT-INDCRNK	PART

Super Category	Product ID	Description	Stat	Collection	Route
DESK	55INDRTRSBKT	IND CRNK RISR BRKT RT RIGHT RISER BRACKET	A	PT-INDCRNK	PART
DESK	91INDCKSMWHEEL	IND CRNK SM WHEEL 1 SMALL WHEEL	A	PT-INDCRNK	PART
DESK	91LEANDROLVLRS	LEANDRO LEVELERS LEVELER PART	A	PT-LEANDRO	PART
DESK	91MRBKDNYDHW	MARBLE KIDNEY DESK HARDWARE ASSEMBLY HARDWARE	A	PT-MARBLE	PART
DESK	91MARTCAST	MARTELLO/CEDRICK CASTOR 1 UNIT = 1 CASTOR	A	PT-MARTLLO	PART
DESK	91511MEDPIN	MEDAN DROP DOWN DOOR HANDLE	D	PT-MEDAN	PART
DESK	91511MEDHGL	MEDAN DROP DOWN DOOR HINGE	D	PT-MEDAN	PART
DESK	91MEDMAG	MEDAN MAGNETIC CATCH	D	PT-MEDAN	PART
DESK	91511MEDHGS	MEDAN SMALL DOOR HINGE	D	PT-MEDAN	PART
DESK	91MEDKNOB	MEDAN WOODEN BOX KNOB	D	PT-MEDAN	PART
DESK	91MERLEKEY	MERLE WRITING DESK KEY 1 KEY	A	PT-MERLE	PART
DESK	91PALMFILEROD	PALMER FILE RODS FILE RODS	A	PT-PALMER	PART
DESK	91PEARDSKHW	PEARSON DESK ASSEMBLY HARDWARE ASSEMBLY HARDWARE	A	PT-PEARSON	
DESK	91PEARDSKGLD	PEARSON DESK DRAWER GLIDES SET OF 2	A	PT-PEARSON	
DESK	91SULBRWDHLDER	SULLIVAN BROWN WOOD HOLDER S/2 FOR 91SULLFILERD SET OF 2	A	PT-SULLIVN	PART
DESK	91SULCINWDHLDER	SULLIVAN CINDER WOOD HOLDER S2 FOR 91SULLFILERD SET OF 2	A	PT-SULLIVN	PART
DESK	91SULFLCBHN	SULLIVAN FILE AND CAB HANDLES SULLIVAN HANDLES	A	PT-SULLIVN	PART
DESK	91SULSABWDHLDER	SULLIVAN SABLE WOOD HOLDER S/2 FOR 91SULLFILERD SET OF 2	A	PT-SULLIVN	PART
DESK	91511TEL4ROD	TELEGRAPH 4 DRWR FILE ROD SET 15 1/4	A	PT-TELGRPH	PART
DESK	91TELETRAY	TELEGRAPH COMP CAB CORD TRAY	D	PT-TELGRPH	PART
DESK	91TELELIDSTAY	TELEGRAPH COMP CAB LID HINGE 130-233	A	PT-TELGRPH	PART
DESK	91TELEKEYBRDGLIDE	TELEGRAPH DESK KEYBOARD GLIDE 1 SET OF GLIDES	A	PT-TELGRPH	PART
DESK	55TELDRFRLTC	TELEGRAPH DRAWER FRONT CATCH DRAWER CATCH	A	PT-TELGRPH	PART
DESK	91511TELCORN	TELEGRAPH DSK CRNR BRKT BRASS 4 911725SGLNL NEED FOR EACH	A	PT-TELGRPH	PART
DESK	91511TELSLIDE	TELEGRAPH DSK DRWR SLIDE SINGLE EXT DRAWER SLIDE 18	A	PT-TELGRPH	PART
DESK	91511TELROD	TELEGRAPH DSK FILE ROD SET 17 17	A	PT-TELGRPH	PART
DESK	91TELDSKWHND	TELEGRAPH DSK HANDLE WHITE 130 - 351	A	PT-TELGRPH	PART
DESK	91TELDSK1	TELEGRAPH DSK NUMBER PLATE 1 PLATE 1	A	PT-TELGRPH	PART
DESK	91TELDSK2	TELEGRAPH DSK NUMBER PLATE 2	A	PT-TELGRPH	PART
DESK	91TELDSK3	TELEGRAPH DSK NUMBER PLATE 3 PLATE 3	A	PT-TELGRPH	PART
DESK	91TELDSK4	TELEGRAPH DSK NUMBER PLATE 4 PLATE 4	A	PT-TELGRPH	PART
DESK	91TELDSK5	TELEGRAPH DSK NUMBER PLATE 5 PLATE 5	A	PT-TELGRPH	PART
DESK	91TELDSK6	TELEGRAPH DSK NUMBER PLATE 6 PLATE 6	A	PT-TELGRPH	PART
DESK	91TELDSK7	TELEGRAPH DSK NUMBER PLATE 7 PLATE 7	A	PT-TELGRPH	PART
DESK	91TELDSK8	TELEGRAPH DSK NUMBER PLATE 8 PLATE 8	A	PT-TELGRPH	PART

Super Category	Product ID	Description	Stat	Collection	Route
DESK	91511TELSKHAND	TELEGRAPH DSK PULL - BRASS 130A351 - BRASS PULL	A	PT-TELGRPH	PART
DESK	91511TELEXHW	TELEGRAPH EXEC DESK HDW	A	PT-TELGRPH	PART
DESK	91511TELHNGTP	TELEGRAPH EXEC DESK HINGE TOP HINGE	A	PT-TELGRPH	PART
DESK	91511TELPAD	TELEGRAPH EXEC DESK PAD BLK 130A351	A	PT-TELGRPH	PART
DESK	91TELEGPAD	TELEGRAPH EXEC DESK PAD GREY DESK PAD	A	PT-TELGRPH	PART
DESK	91TELEWHPAD	TELEGRAPH EXEC DESK PAD WHITE DESK PAD	A	PT-TELGRPH	PART
DESK	91511TELLFT	TELEGRAPH EXEC DOOR LATCH LEFT SIDE AND CENTER DOOR LATCH	T	PT-TELGRPH	PART
DESK	91511TELRT	TELEGRAPH EXEC DR LATCH RIGHT SIDE AND CENTER DR LATCH	T	PT-TELGRPH	PART
DESK	91TELEEXFRHLD	TELEGRAPH EXEC FILE ROD HOLDER 17	A	PT-TELGRPH	PART
DESK	91511TELKEY	TELEGRAPH EXEC KEY - ANTIQUE 1 KEY FOR TELE EXEC BLK	A	PT-TELGRPH	PART
DESK	91TELEKEY	TELEGRAPH EXEC KEY - PEWTER 1 KEY FOR TELE EXEC WHITE	A	PT-TELGRPH	PART
DESK	91TELESTATUSKEY	TELEGRAPH EXEC KEY STRATUS ROUGH PEWTER	A	PT-TELGRPH	PART
DESK	91511TELSCREW	TELEGRAPH HANDLE SCREW HANDLE SCREW	A	PT-TELGRPH	PART
DESK	55TELKYHLCVR	TELEGRAPH KEY HOLE COVER KEY HOLE	A	PT-TELGRPH	PART
DESK	91511TELBOX	TELEGRAPH LOCK -ALL 3 FINISHES DESK, 4 DRAWER, FILE BOX LOCK	A	PT-TELGRPH	PART
DESK	55TELELKPLT	TELEGRAPH LOCK PLATE	D	PT-TELGRPH	PART
DESK	91TELE3PLGMD	TELEGRAPH MEDIA 3-PLUG OUTLET OUTLET	A	PT-TELGRPH	PART
DESK	91TELENUMBRS	TELEGRAPH NUMBERS TELEGRAPH	A	PT-TELGRPH	PART
DESK	91TELEPLATE	TELEGRAPH PLATE FRAME NO HNDLE PLATE FRAME	A	PT-TELGRPH	PART
DESK	91TELERTNSLG	TELEGRAPH RTN DESK SUPPORT LEG	D	PT-TELGRPH	PART
DESK	91511TELRTN	TELEGRAPH RTRN DSK ASSEM HDW HARDWARE	A	PT-TELGRPH	PART
DESK	91TELSMDSKHW	TELEGRAPH SM DESK ASSEM HDW 130 - 353	A	PT-TELGRPH	PART
DESK	91TELESMPADB	TELEGRAPH SM DSK WRT PAD BROWN SMALL WRITING PAD REPLACEMENT	A	PT-TELGRPH	PART
DESK	91TELESMPADE	TELEGRAPH SM DSK WRT PAD EBONY SMALL WRITING PAD REPLACEMENT	A	PT-TELGRPH	PART
DESK	91TELESMDPAD	TELEGRAPH SM DSK WRT PAD GREY SMALL WRITING PAD REPLACEMENT	A	PT-TELGRPH	PART
DESK	91TELESMPADW	TELEGRAPH SM DSK WRT PAD WHITE SMALL WRITING PAD REPLACEMENT	A	PT-TELGRPH	PART
DESK	91TELEGRYDIV	TELEGRAPH WORK CAB DIVIDER GRY DIVIDER	A	PT-TELGRPH	PART
DESK	91TELEWHITEDIV	TELEGRAPH WORK CAB DIVIDER WHT WHITE	A	PT-TELGRPH	PART
DESK	91511TELDIV	TELEGRAPH WORK CAB DVDR BRWN IN SPENCER BROWN	A	PT-TELGRPH	PART
DESK	91378TREBRBL	TREMONT CLOTHING BAR BLACK	D	PT-TREMONT	PART
DESK	91378TREBRBR	TREMONT CLOTHING BAR BROWN	D	PT-TREMONT	PART
DESK	91TREMFLERODS	TREMONT FILE RODS ALUMINUM ROD & WOOD TO HOLD IT	A	PT-TREMONT	PART
DESK	91378HANDLTBR	TREMONT HANDLE LEATHER FOR BRN DESK - FOR BROWN FINISH	D	PT-TREMONT	PART
DESK	91378HANDDBR	TREMONT HANDLE LTH FOR BLK/NAT DESK - FOR BLK & NAT FINISH	D	PT-TREMONT	PART
DESK	91378BRACKBL	TREMONT HANDLEL BRACKET BLK BRACKET AND SCREWS FOR LEATHER	D	PT-TREMONT	PART

Super Category	Product ID	Description	Stat	Collection	Route
DESK	91TREM0DHND BR	TREMONT MOD LTHR PULL DARK BRN FOR BROWN FINISH	D	PT-TREMONT	PART
DESK	91TREM0DHND BL	TREMONT MOD LTHR PULL LIHT BRN FOR BLACK FINISH	D	PT-TREMONT	PART