

# ARHAUS®

your home

## reese



### Nightstand

24" w x 20" d x 28" h

Antique Mirrored 45REESEMNT2  
Galleria Blush 45REESE1DNT2  
Galleria Grey 45REESEG1DNT2



### 2-Drawer Nightstand

24" w x 20" d x 28" h

Antique Mirrored 45REESEMNT  
Galleria Blush 45REESENT  
Galleria Grey 45REESEGNT



### 3-Drawer Chest

42" w x 20" d x 33" h

Antique Mirrored 45REESEM3D2  
Galleria Blush 45REESE3D2  
Galleria Grey 45REESEG3D2



### Tall Dresser

42" w x 20" d x 49" h

Antique Mirrored 45REESEMTD2  
Galleria Blush 45REESETD2  
Galleria Grey 45REESEGTD2



### Wide Dresser

72" w x 20" d x 36" h

Antique Mirrored 45REESEMWD2  
Galleria Blush 45REESEWD2  
Galleria Grey 45REESEGWD2



### Jewelry Chest

20" w x 14.25" d x 46.25" h

Antique Mirrored 45REESEMJC  
Galleria Blush 45REESEBJC  
Galleria Grey 45REESEGJC

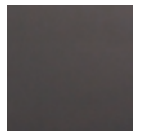
### Finishes:



Antique Mirrored



Galleria Blush



Galleria Grey

## vintage-inspired glamour

Art deco aesthetics and 1920s' architecture inspire our marvelous Reese Collection. Craftsman-built to bring glamour and modern fantasy to your bedroom, these boudoir favorites feature beveled glass framed in solid parawood and tulip veneers ornamented with artfully sculpted detailing. Each surface is finished by artisans with an antiqued mirrored patina or a reverse-painted finish—created using traditional 19th century techniques to impart a subtle yet chic effect. Durable case frames are accentuated by tapered legs, elegant trim, and midcentury-inspired hardware for an eclectically vintage touch.

### product details

- ▶ Case frames are craftsman-built from solid, sustainably sourced parawood, engineered hardwood, and tulip wood veneers.
- ▶ Glass surfaces feature beveled glass panels to achieve a jewel-like appearance and provide contrast in texture.
- ▶ Artfully antiqued mirrored finishes are hand-applied to create a rustic-chic appearance.
- ▶ Galleria-finished surfaces feature glass that has been reverse-painted using 19th century techniques to achieve soft yet beautiful tones.
- ▶ Wood surfaces are lacquered for added protection and a subtle satin sheen.
- ▶ Drawers are accented with antiqued, silver-finished drawer pulls and sit on side-mounted metal glides.
- ▶ Keep your furniture looking its best. Visit [arhaus.com](http://arhaus.com) or speak to any Arhaus Design Consultant for care recommendations.



45REESEM1DNT  
45REESE1DNT  
45REESEG1DNT

## ASSEMBLING INSTRUCTION REESE MIRRORED / BLUSH / GREY 1DR NIGHTSTAND

### CARE INSTRUCTIONS:


- Dust often using a clean, soft, dry lint-free cloth.
- Blot spills immediately, and wipe with a clean, damp cloth.
- For glass surface, clean with glass or mirror cleaner and a soft cloth. Never use a scouring pad.
- Take care not to use any glass/ mirror cleaning product on a wooden surface.

### TOOLS NEEDED

Phillips head screwdriver (not provided)

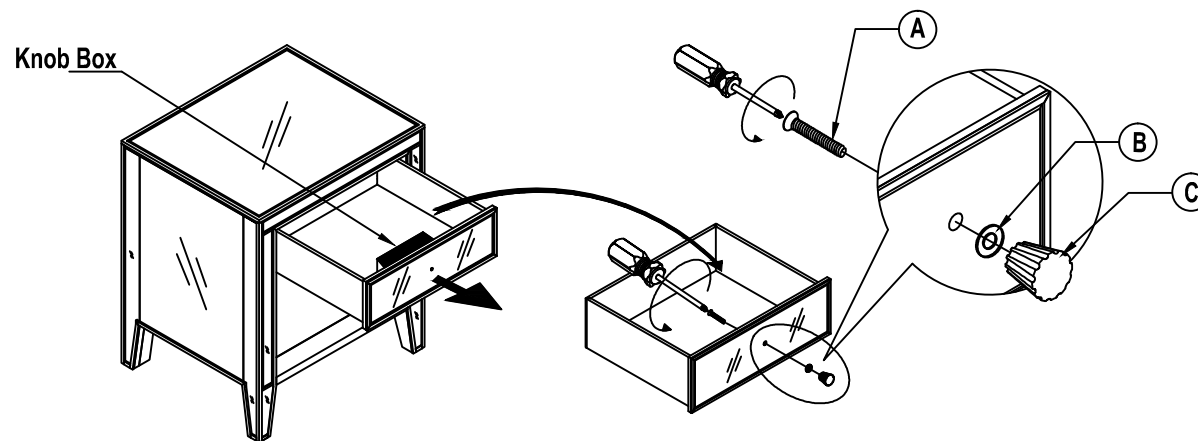
### HARDWARE LIST

A = Pan Head Machine Screw  1 Pc

B = Plastic Washer  1 Pc

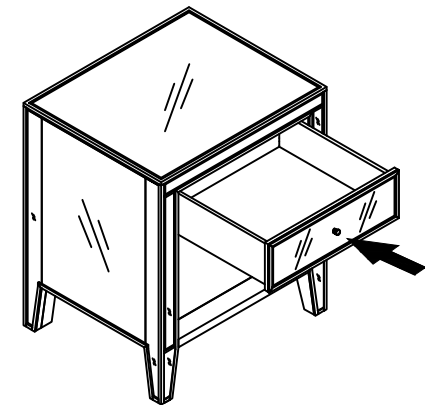
H = Knob  1 Pc

1



**CAUTION:** Over tightening hardware can cause cracking.

2



**45REESEM3D**  
**45REESE3D**  
**45REESEG3D**

## ASSEMBLING INSTRUCTION

### REESE MIRRORED/ BLUSH / GREY 3 DRAWER CHEST

**CARE INSTRUCTIONS:**

- Dust often using a clean, soft, dry lint-free cloth.
- Blot spills immediately, and wipe with a clean, damp cloth.
- For glass surface, clean with glass or mirror cleaner and a soft cloth. Never use a scouring pad.
- Take care not to use any glass/ mirror cleaning product on a wooden surface.

**TOOLS NEEDED**

Phillips head screwdriver (not provided)

**HARDWARE LIST**

A = Plastic brackets



4 Pcs

B = Restraint straps



2 Pcs

C = Phillips screws M4x30mm



4 Pcs

D = Phillips screws M4x20mm



4 Pcs

E = Plastic anchors



4 Pcs

F = Pan Head Machine Screw



6 Pcs

G = Plastic Washer



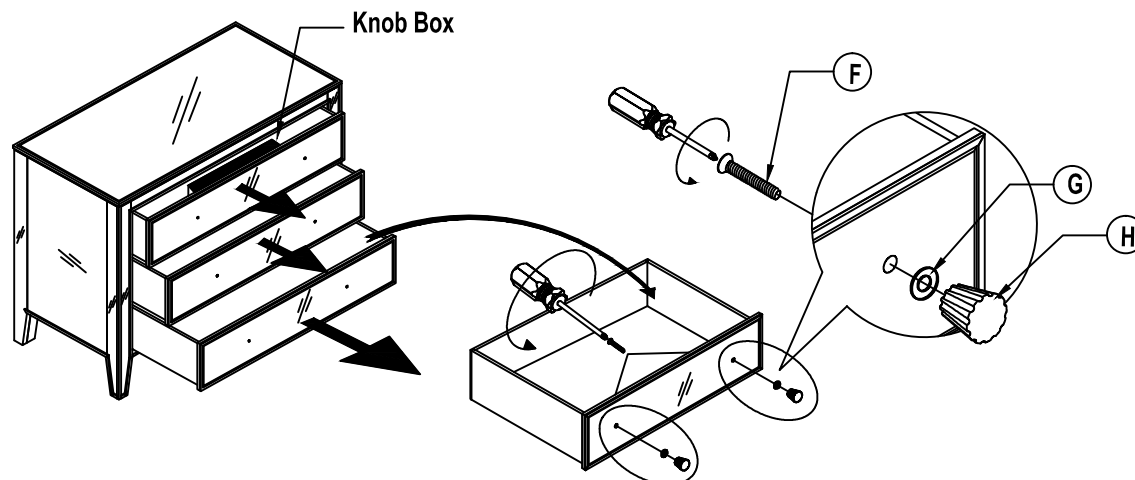
6 Pcs

H = Knob



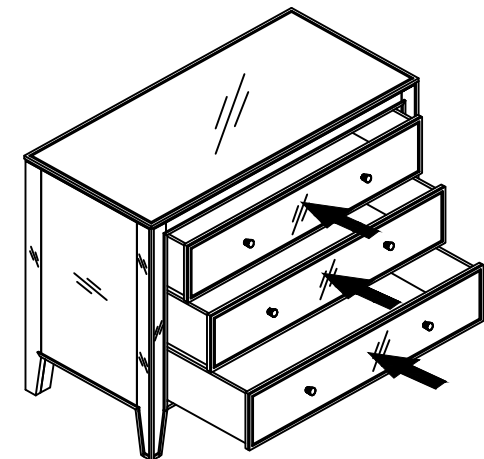
6 Pcs

**1**



**CAUTION: Over tightening hardware can cause cracking.**

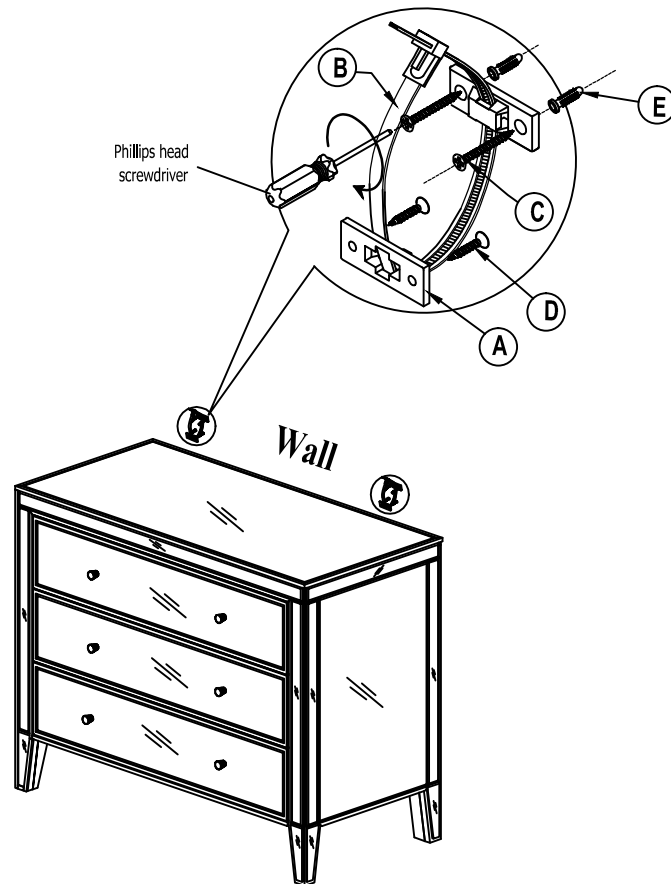
**2**



45REESEM3D  
45REESE3D  
45REESEG3D

## ASSEMBLING INSTRUCTION REESE MİRRORED/ BLUSH / GREY 3 DRAWER CHEST

3



1. Attach one of the mounting brackets near the top back edge of the furniture piece by inserting the shorter screws.
2. Determine the final position of the furniture piece. Mark location on the wall pproximately 2" below the bracket mounted to the back of the furniture.
3. Drill a starter hole into the wall stud. If wall stud is not available, drill a hole into the wall and insert plastic anchor. Gently tap the anchor until the flange of the anchor is flush with the wall.
4. Attach the second bracket by inserting the longer screw through the bracket and into the wall.
5. Place the furniture so the bracket on the back edge is in line with the bracket on the wall.
6. Lace one end of the nylon restraint strap down through each bracket. Bring both ends together and slide the beaded end until it snap locks into the keyhole slot.
7. To double lock, return the beaded end back through the keyholes as shown.
8. Check to make sure the strap is securely laced and locked to the brackets.

**45REESEMJC**  
**45REESEBJC**  
**45REESEGJC**

## ASSEMBLING INSTRUCTION

### REESE MİRRORED/ BLUSH/ GREY JEWELRY CHEST

**CARE INSTRUCTIONS:**

- Dust often using a clean, soft, dry lint-free cloth.
- Blot spills immediately, and wipe with a clean, damp cloth.
- For glass surface, clean with glass or mirror cleaner and a soft cloth. Never use a scouring pad.
- Take care not to use any glass/ mirror cleaning product on a wooden surface.

**TOOLS NEEDED**

Phillips head screwdriver (not provided)

**HARDWARE LIST**

A = Plastic brackets



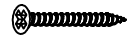
4 Pcs

B = Restraint straps



2 Pcs

C = Phillips screws M4x30mm



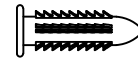
4 Pcs

D = Phillips screws M4x20mm



4 Pcs

E = Plastic anchors



4 Pcs

F = Pan Head Machine Screw



5 Pcs

G = Plastic Washer



5 Pcs

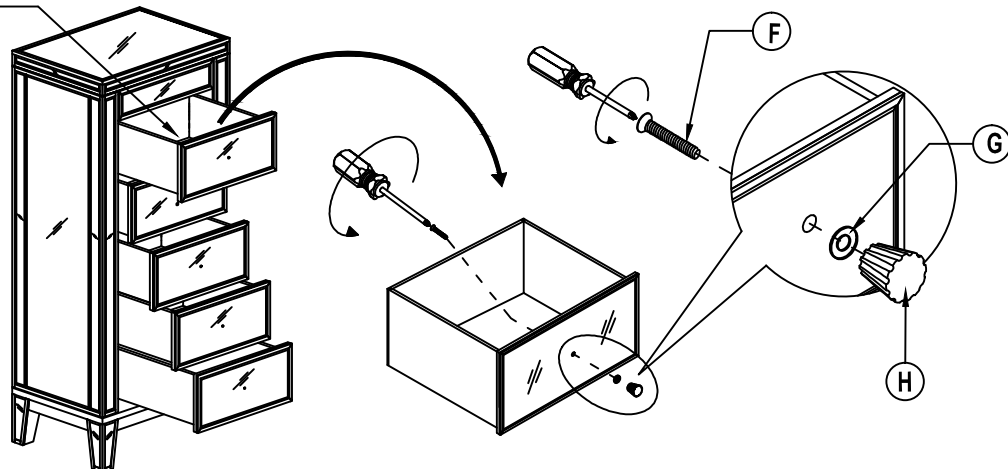
H = Knob



5 Pcs

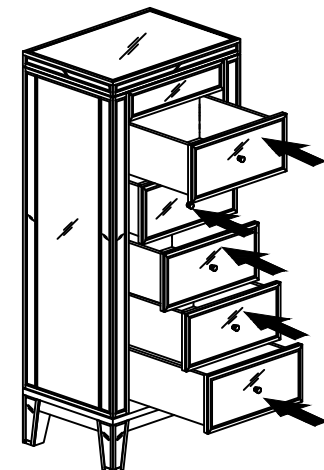
**1**

Knob Box



**CAUTION: Over tightening hardware can cause cracking.**

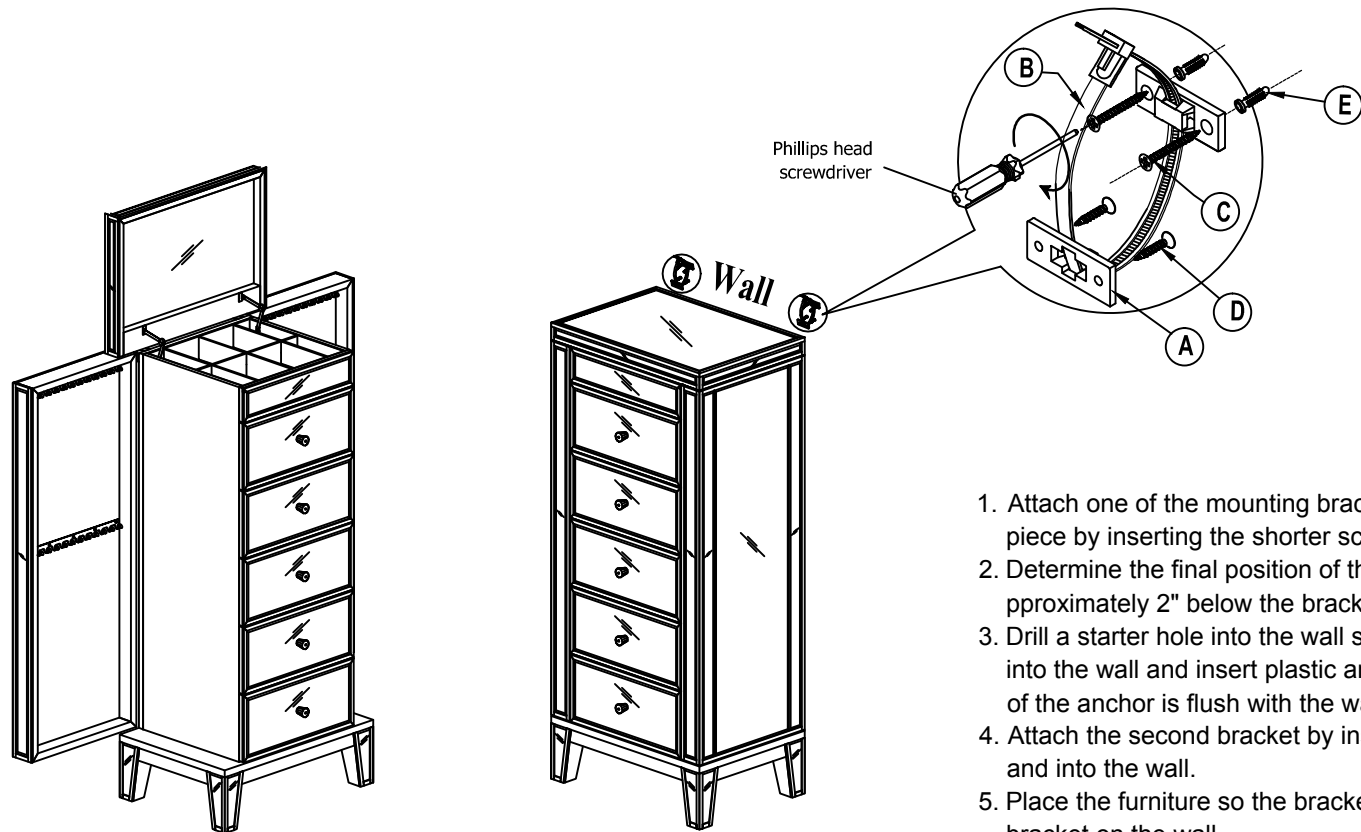
**2**



45REESEMJC  
45REESEBJC  
45REESEGJC

## ASSEMBLING INSTRUCTION REESE MIRRORED/ BLUSH/ GREY JEWELRY CHEST

3



1. Attach one of the mounting brackets near the top back edge of the furniture piece by inserting the shorter screws.
2. Determine the final position of the furniture piece. Mark location on the wall approximately 2" below the bracket mounted to the back of the furniture.
3. Drill a starter hole into the wall stud. If wall stud is not available, drill a hole into the wall and insert plastic anchor. Gently tap the anchor until the flange of the anchor is flush with the wall.
4. Attach the second bracket by inserting the longer screw through the bracket and into the wall.
5. Place the furniture so the bracket on the back edge is in line with the bracket on the wall.
6. Lace one end of the nylon restraint strap down through each bracket. Bring both ends together and slide the beaded end until it snap locks into the keyhole slot.
7. To double lock, return the beaded end back through the keyholes as shown.
8. Check to make sure the strap is securely laced and locked to the brackets.

**45REESEMNT  
45REESENT**

**ASSEMBLING INSTRUCTION  
REESE MİRRORED/ BLUSH NIGHTSTAND**


**CARE INSTRUCTIONS:**


- Dust often using a clean, soft, dry lint-free cloth.
- Blot spills immediately, and wipe with a clean, damp cloth.
- For glass surface, clean with glass or mirror cleaner and a soft cloth. Never use a scouring pad.
- Take care not to use any glass/ mirror cleaning product on a wooden surface.

**TOOLS NEEDED**

Phillips head screwdriver (not provided)

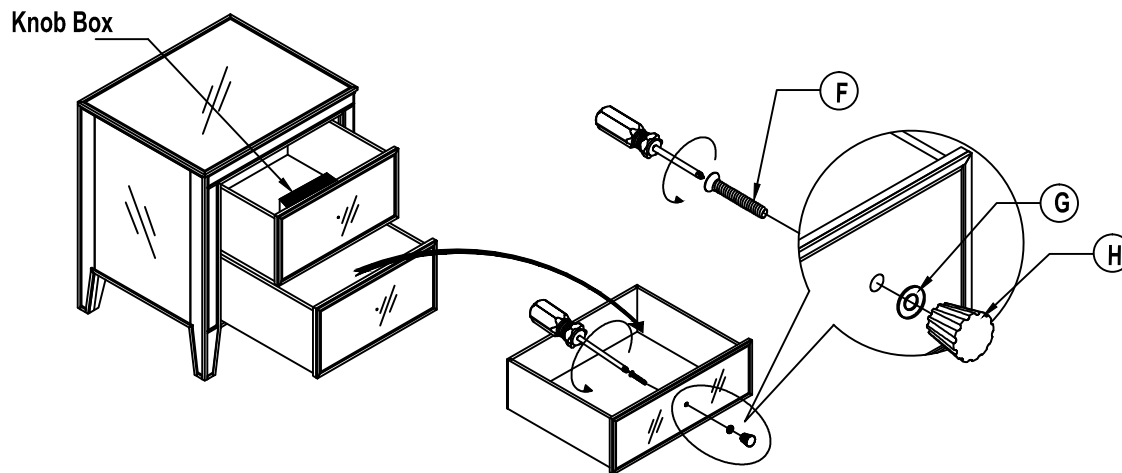
**HARDWARE LIST**

A = Pan Head Machine Screw  1 Pc

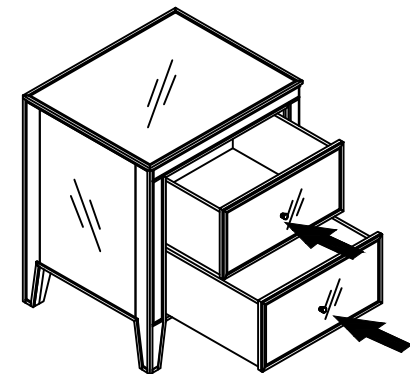
B = Plastic Washer  2 Pcs

H = Knob  2 Pcs

1



2



**CAUTION: Over tightening hardware can cause cracking.**

**45REESEMTD  
45REESETD  
45REESEGTD**

## ASSEMBLING INSTRUCTION REESE MIRRORED/ BLUSH / GREY TALL DRESSER

**CARE INSTRUCTIONS:**

- Dust often using a clean, soft, dry lint-free cloth.
- Blot spills immediately, and wipe with a clean, damp cloth.
- For glass surface, clean with glass or mirror cleaner and a soft cloth. Never use a scouring pad.
- Take care not to use any glass/ mirror cleaning product on a wooden surface.

**TOOLS NEEDED**

Phillips head screwdriver (not provided)

**HARDWARE LIST**

A = Plastic brackets



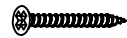
4 Pcs

B = Restraint straps



2 Pcs

C = Phillips screws M4x30mm



4 Pcs

D = Phillips screws M4x20mm



4 Pcs

E = Plastic anchors



4 Pcs

F = Pan Head Machine Screw



10 Pcs

G = Plastic Washer



10 Pcs

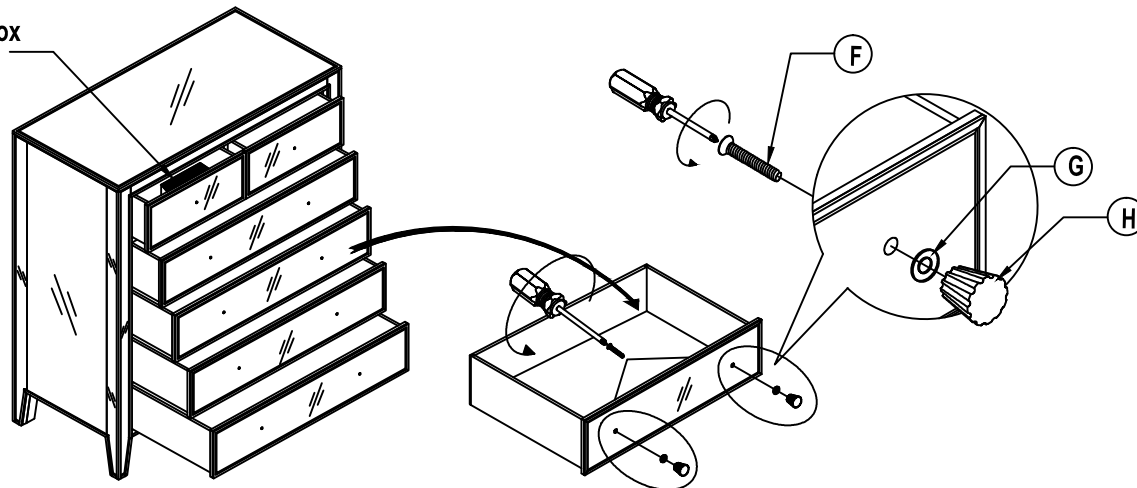
H = Knob



10 Pcs

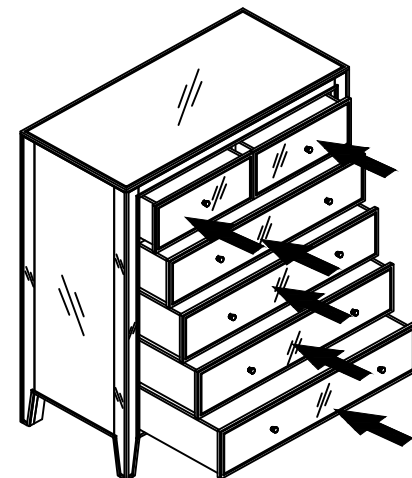
**1**

Knob Box



**CAUTION: Over tightening hardware can cause cracking.**

**2**

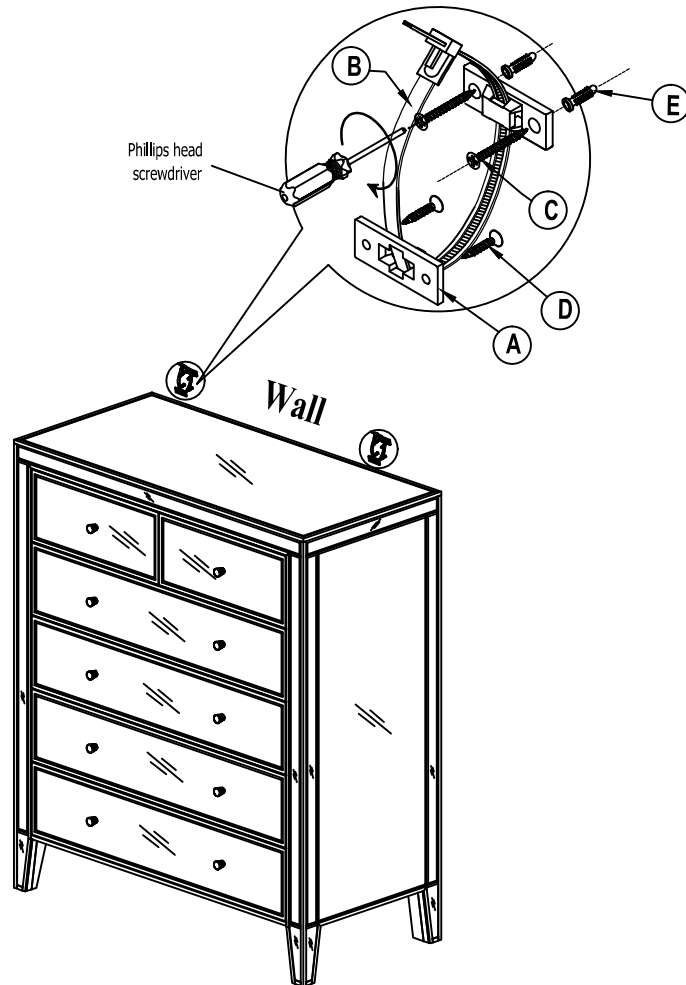




45REESEMTD  
45REESETD  
45REESEGTD

## ASSEMBLING INSTRUCTION REESE MİRRORED/ BLUSH / GREY TALL DRESSER

3



1. Attach one of the mounting brackets near the top back edge of the furniture piece by inserting the shorter screws.
2. Determine the final position of the furniture piece. Mark location on the wall pproximately 2" below the bracket mounted to the back of the furniture.
3. Drill a starter hole into the wall stud. If wall stud is not available, drill a hole into the wall and insert plastic anchor. Gently tap the anchor until the flange of the anchor is flush with the wall.
4. Attach the second bracket by inserting the longer screw through the bracket and into the wall.
5. Place the furniture so the bracket on the back edge is in line with the bracket on the wall.
6. Lace one end of the nylon restraint strap down through each bracket. Bring both ends together and slide the beaded end until it snap locks into the keyhole slot.
7. To double lock, return the beaded end back through the keyholes as shown.
8. Check to make sure the strap is securely laced and locked to the brackets.

**45REESEMWD**  
**45REESEWD**  
**45REESEGWD**

## ASSEMBLING INSTRUCTION

### REESE MIRRORED/ BLUSH / GREY WIDE DRESSER





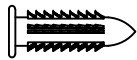



**CARE INSTRUCTIONS:**

- Dust often using a clean, soft, dry lint-free cloth.
- Blot spills immediately, and wipe with a clean, damp cloth.
- For glass surface, clean with glass or mirror cleaner and a soft cloth. Never use a scouring pad.
- Take care not to use any glass/ mirror cleaning product on a wooden surface.

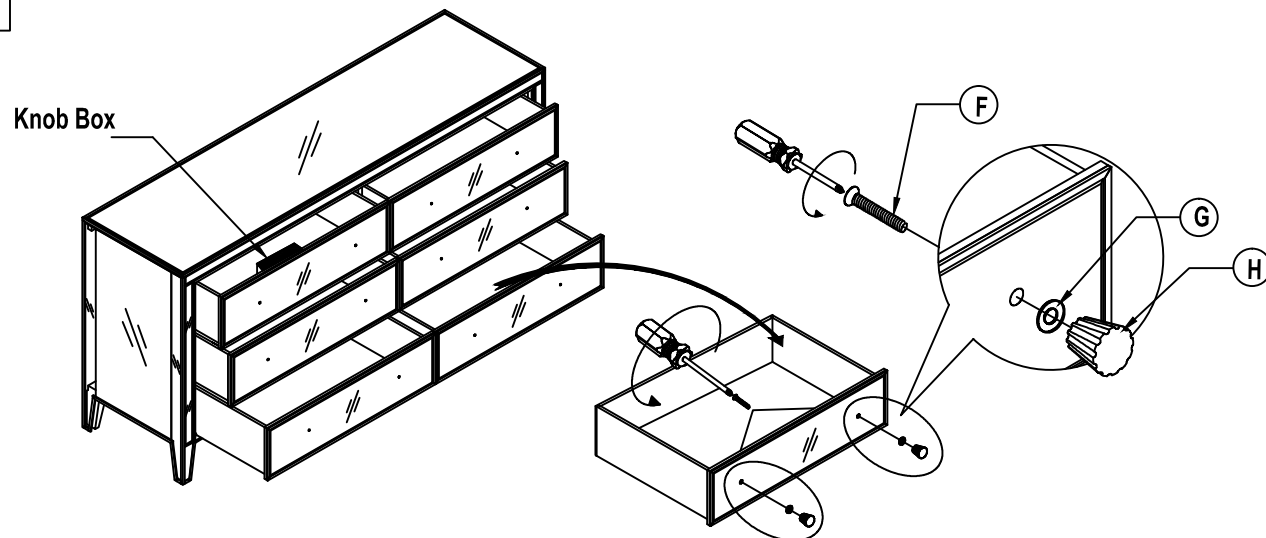
**TOOLS NEEDED**

Phillips head screwdriver (not provided)

**HARDWARE LIST**

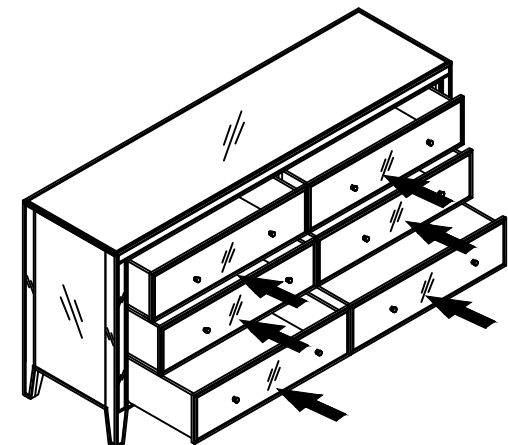
A = Plastic brackets  4 Pcs	D = Phillips screws M4x20mm  4 Pcs	F = Pan Head Machine Screw  12 Pcs
B = Restraint straps  2 Pcs	E = Plastic anchors  4 Pcs	G = Plastic Washer  12 Pcs
C = Phillips screws M4x30mm  4 Pcs		H = Knob  12 Pcs

**1**



**CAUTION: Over tightening hardware can cause cracking.**

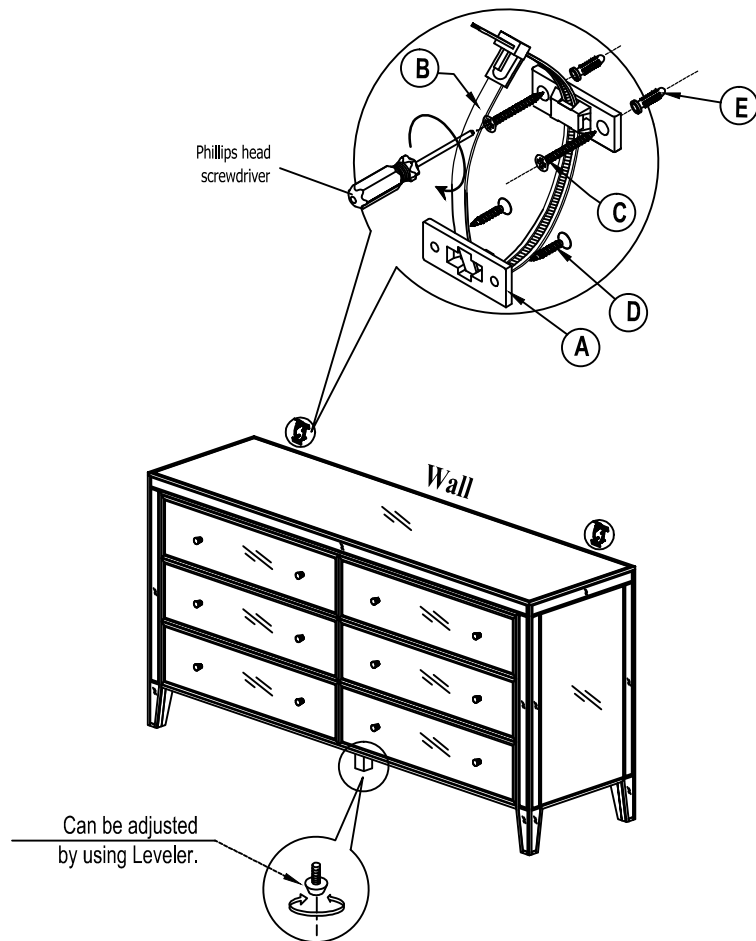
**2**



45REESEMWD  
45REESEWD  
45REESEGWD

## ASSEMBLING INSTRUCTION REESE MIRRORED/ BLUSH / GREY WIDE DRESSER

3



1. Attach one of the mounting brackets near the top back edge of the furniture piece by inserting the shorter screws.
2. Determine the final position of the furniture piece. Mark location on the wall pproximately 2" below the bracket mounted to the back of the furniture.
3. Drill a starter hole into the wall stud. If wall stud is not available, drill a hole into the wall and insert plastic anchor. Gently tap the anchor until the flange of the anchor is flush with the wall.
4. Attach the second bracket by inserting the longer screw through the bracket and into the wall.
5. Place the furniture so the bracket on the back edge is in line with the bracket on the wall.
6. Lace one end of the nylon restraint strap down through each bracket. Bring both ends together and slide the beaded end until it snap locks into the keyhole slot.
7. To double lock, return the beaded end back through the keyholes as shown.
8. Check to make sure the strap is securely laced and locked to the brackets.

# BEDROOM PARTS SKUS

Super Category	Product ID	Description	Collection	Route
BEDROOM	91REESANTITP	REESE ANTI TIP KIT	PT-REESE	PART
BEDROOM	91REESE12INCH	REESE DRAWER GLIDE 12	PT-REESE	PART
BEDROOM	91REESE14INCH	REESE DRAWER GLIDE 14	PT-REESE	PART
BEDROOM	45REEESDK	REESE DSK ASSEMBLY HDW	PT-REESE	PART
BEDROOM	91REESESH	REESE JWLRY CHST HINGE SD DR SIDE DOOR HINGE	PT-REESE	PART
BEDROOM	91REESELH	REESE JWLRY CHST HINGE TOP PNL LONG TOP PANEL HINGE	PT-REESE	PART
BEDROOM	91REESEJCHK	REESE JWLRY CHST HOOK NECK	PT-REESE	PART
BEDROOM	91REESESUPRT	REESE JWLRY SPRING TENSION ARM METAL	PT-REESE	PART
BEDROOM	91REESEKNOB	REESE KNOB NT, DRESSERS AND JEWEL CHEST	PT-REESE	PART
BEDROOM	91REESEKNOB2	REESE KNOB DESK AND 3D CABINET	PT-REESE	PART
BEDROOM	91REESEWASHR	REESE PLASTIC WASHER 50 MOO	PT-REESE	PART
BEDROOM	91REESMFRTGL	WIDE DRSR FRNT TOP GLASS MIRR ANTIQUE MIRROR	PT-REESE	PART

# ARHAUS®

your home

## rigby



### King Bed

86" w x 91.5" d x 40" h  
45RIGBPNKGKT

### Queen Bed

73" w x 91.5" d x 40" h  
45RIGBPNQNKT

## comfortably chic

A plush, contemporary style for chic yet casual sleeping spaces, our Rigby upholstered beds feature luxurious pillow-back headboards and low-profile platform silhouettes. Durable, craftsman-built frames are constructed from solid poplar and pine wood, featuring a supportive slat systems that don't require box springs for a comfortable and relaxing feel. Unique upholstery is generously padded with foam and expertly fitted with light and versatile fabric to easily complement your preferred décor aesthetic.

### product details

- ▶ Platform bed frames are craftsman-built from solid poplar and pine wood for lasting strength and superior stability.
- ▶ Upholstered frames are expertly covered in our light and modern Prestige Natural fabric.
- ▶ Pillowy upholstered bed frames are generously padded with dense, fire-retardant foam to create a luxurious, plush backdrop.
- ▶ Bed frames include space to accommodate variances in mattress sizes and allow bedding to be tucked in.
- ▶ Queen beds feature a frame cavity measuring 61" w x 80.7" d x 11.4" h (from floor to slat support).
- ▶ King beds feature a frame cavity measuring 76.8" w x 80.7" d x 11.4" h (from floor to slat support).
- ▶ Keep your furniture looking its best. Visit [arhaus.com](http://arhaus.com) or speak to any Arhaus Design Consultant for care recommendations.







# Parts Inventory

Super Category	Product ID	Description	Stat	Collection
BEDROOM	91RIGBKPCS	RIGBY KG BED CENTR SUPPRT LEGS	A	PT-RIGBY
BEDROOM	91RIGBKGHW	RIGBY KING BED ASSEMBLY HW	A	PT-RIGBY
BEDROOM	91RIGBQPCS	RIGBY QN BED CENTR SUPPRT LEGS	A	PT-RIGBY
BEDROOM	91RIGBQNHW	RIGBY QUEEN BED ASSEMBLY HW	A	PT-RIGBY



# ARHAUS®

your home

## st. lucia



### King Bed

77" w x 85" d x 63" h  
Rust 45LUCIAKG2  
Platinum 45LUCIAKGP  
Champagne 45LUCIAKC

### Queen Bed

65" w x 85" d x 63" h  
Rust 45LUCIAQN2  
Platinum 45LUCIAQNP  
Champagne 45LUCIAQC

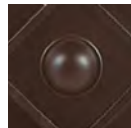
### Full Bed

55" w x 79" d x 63" h  
Rust 45LUCIAFL2  
Platinum 45LUCIAFLP  
Champagne 45LUCIAFC

### Twin Bed

39" w x 79" d x 63" h  
Rust 45LUCIATW2  
Platinum 45LUCIATWP  
Champagne 45LUCIATC

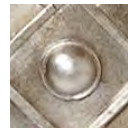
### Finishes:



Rust



Platinum



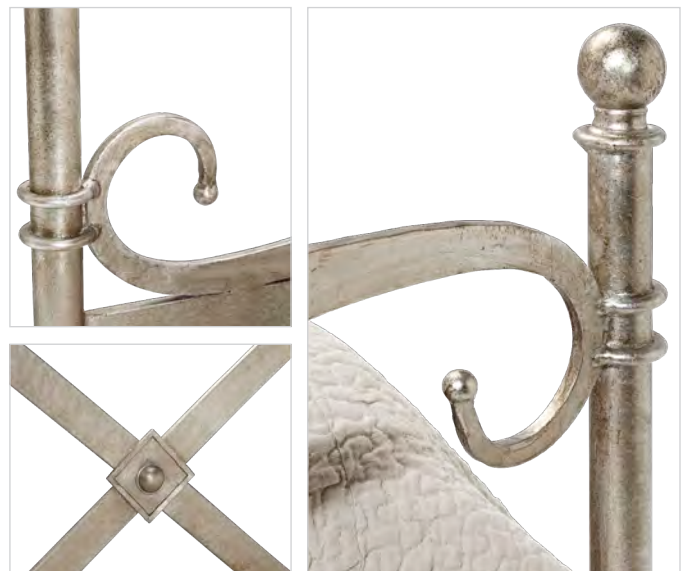
Champagne

## where warm breezes dance between island dwellings.

With a history of both English and French settlements inhabiting its tropical shores, the Caribbean island of St. Lucia has evolved over centuries into a sparkling fusion of French Creole culture and classic British style. Our St. Lucia Bed derives inspiration from both. Evocative of the swirling shapes forming a traditional British family crest, the swooping lines of this bed infuse solid wrought iron with a sense of lightness and fluidity. And, with its distinctive vintage finishes, this extraordinary bed evokes the spirit of a rare and delicate gem from another era.

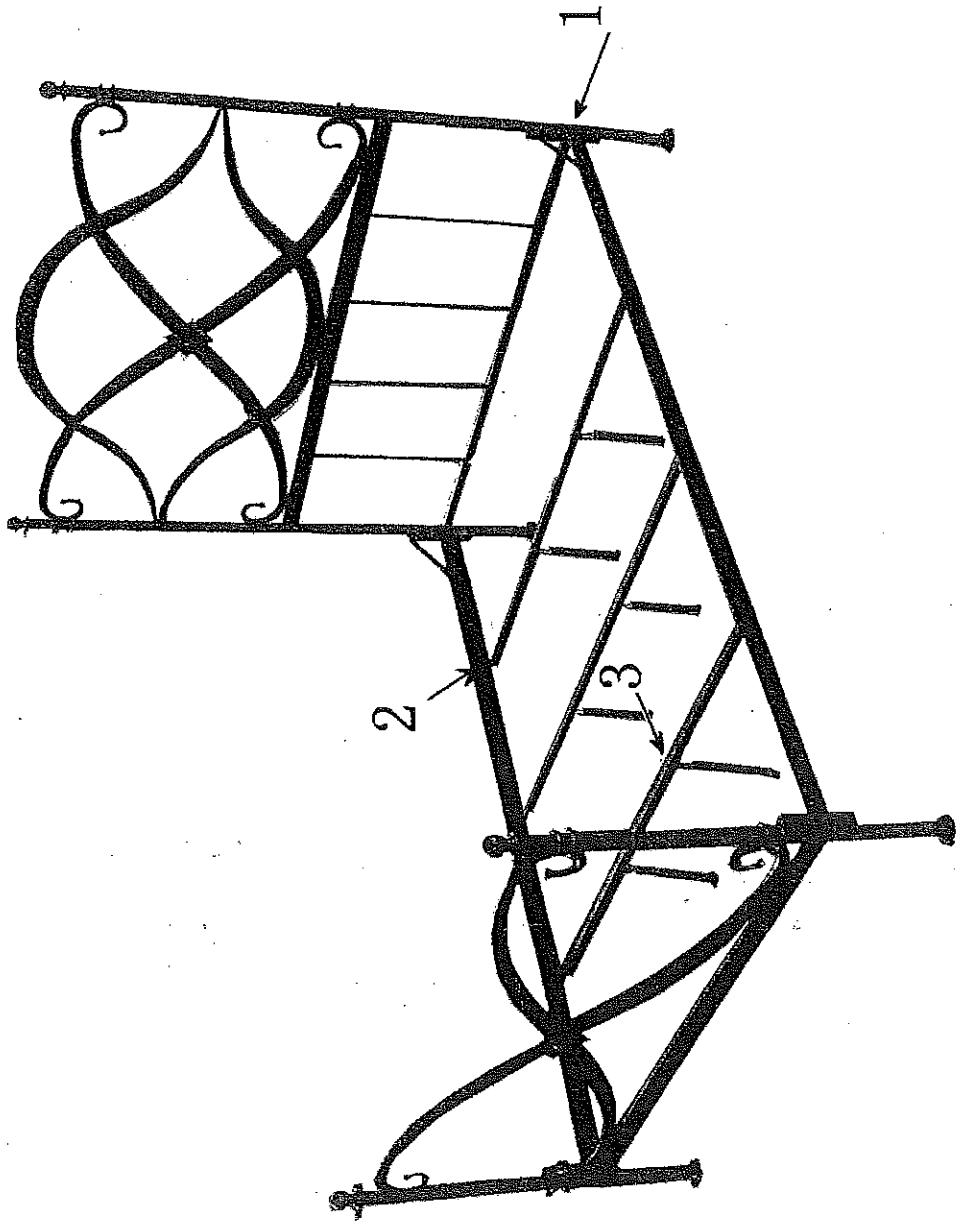
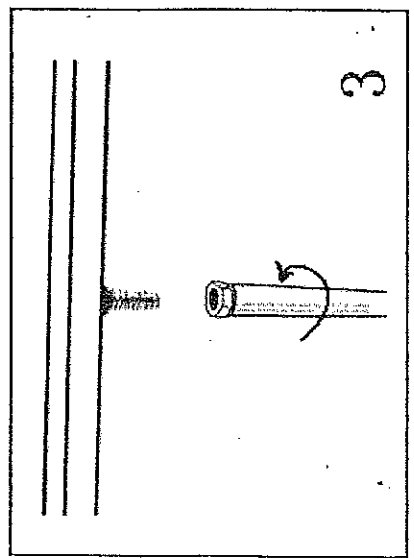
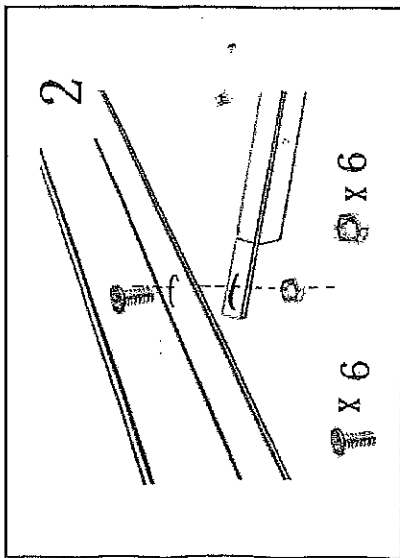
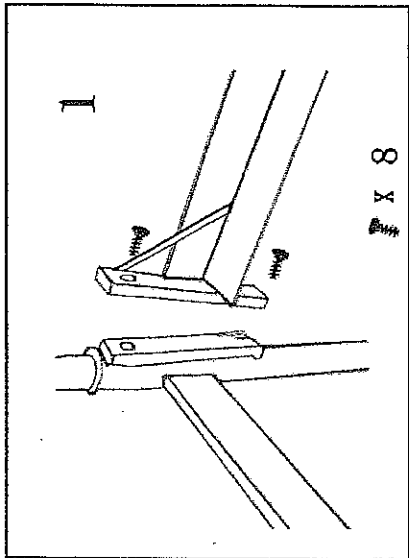
### product details

- ▶ Bed frames are craftsman-built from hand-forged wrought iron reinforced with solid iron bars forged to each bed rail—providing reliable support and stability for mattress sets.
- ▶ Delicate, iron ball finials float atop each bedpost. Ornate medallions punctuate the center of each headboard and footboard.
- ▶ Rust finishes are powder-coated to prevent rust. An elegantly aged patina is hand-painted over the coating and artfully rubbed off.
- ▶ Platinum and Champagne finishes are created with hand-applied silver or gold leaf.
- ▶ Bed frames can support our Retreat Adjustable Motion Bases.
- ▶ When paired with St. Lucia Beds, Retreat Motion Bases require leg extensions to fit bed frames. Leg Extensions are sold separately:
  - > King (requires 16 leg extensions; sold in packs of 4) sku: 917070EXTEND
  - > Twin, Full, & Queen (required 8 leg extensions; sold in packs of 4) sku: 917070EXTEND
- ▶ Leg extensions are designed to be used with Retreat Motion Bases only.
- ▶ To add leg extensions to your order, ask in-store or call 866.427.4287 (select prompt #1) for details.
- ▶ Keep your furniture looking its best. Visit [arhaus.com](http://arhaus.com) or speak to any Arhaus Design Consultant for care recommendations.



st. lucia | bedroom collection | made in Asia

Dimensions may vary slightly. Please ensure furnishings fit through interior structures and into desired space before purchase.


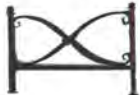





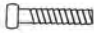




TDF4030Q Assembly Instruction

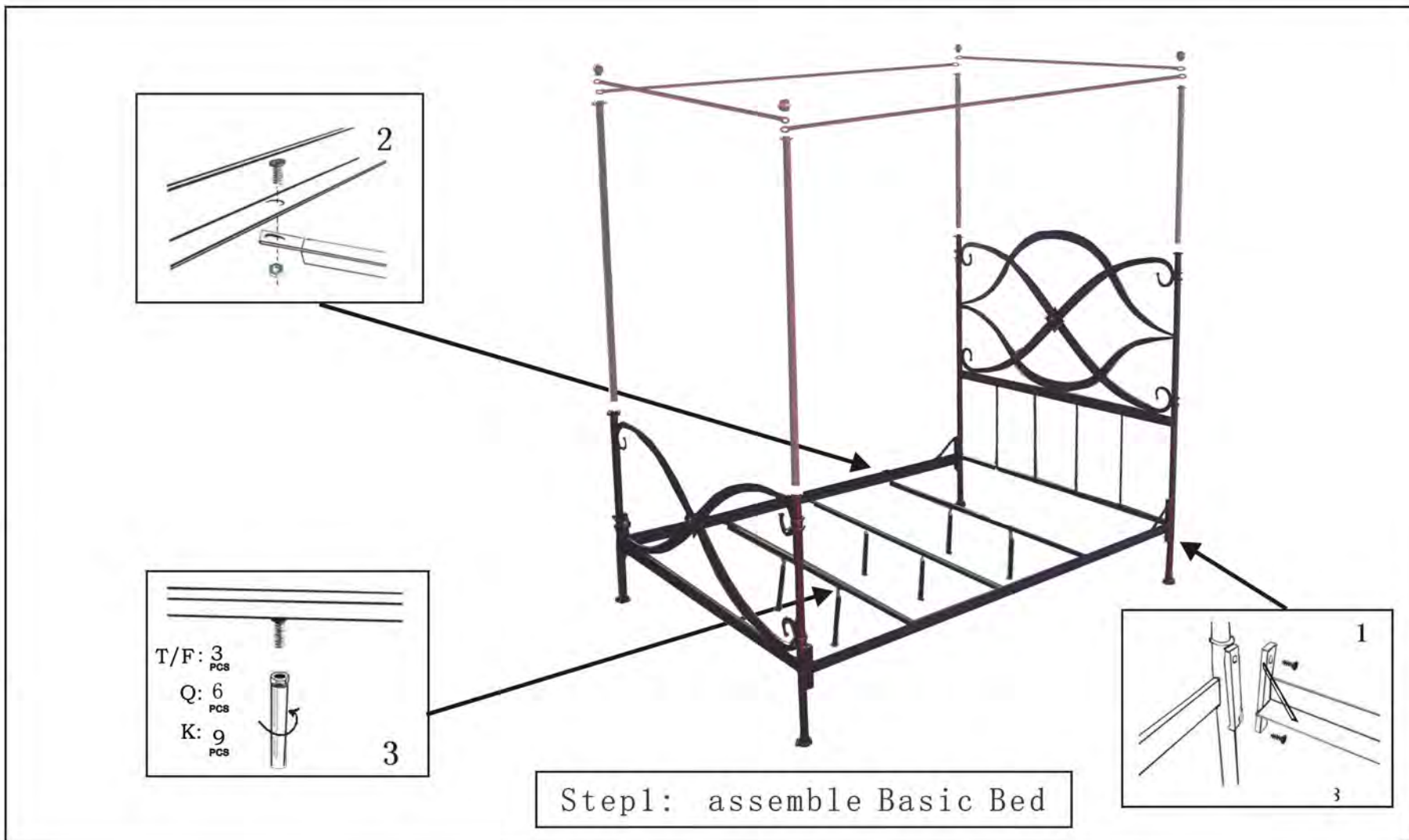
# ASSEMBLING INSTRUCTION TDF4030 (ST LUCIA CANOPY BED) ARHAUS FURNITURE

Carton No.1






Carton No.2

 <p>1 PC</p> <p>Headboard</p>	 <p>1 PC</p> <p>Footboard</p>	 <p>3 PCS</p> <p>Metal slats</p>	 <p>T/F: 3 PCS Q: 6 PCS K: 9 PCS</p> <p>Support leg</p>	 <p>2 PCS</p> <p>Side rails</p>
--	--	---	--	--

<p>A</p> <p>14 PCS</p>  <p>M8x15mm Screw</p>
<p>B</p> <p>6 PCS</p>  <p>M8 screw cap</p>
<p>C</p> <p>4 PCS</p>  <p>M38 feet pad</p>
<p>D</p> <p>6 PCS</p>  <p>M25 support leg pad</p>
<p>E</p> <p>1 PC</p>  <p>M6 allen key</p>



Carton No. 2

 <b>Ball</b>	4 PCS
 <b>long rail</b>	2 PCS
 <b>short rail</b>	2 PCS
 <b>long post</b>	2 PCS
 <b>Short post</b>	2 PCS

Step2: assemble Canopy



# BEDROOM PARTS SKUS

Super Category	Product ID	Description	Collection	Route
BEDROOM	91313LUCIAHW	ST LUCIA BED ASSEMBLY HW ST LUCIA AND EVANSTON ASSEMBLY HW	PT-STLUCIA	PART
BEDROOM	91313LUCIALEG	ST LUCIA BED LEGS ST LUCIA AND EVANSTON	PT-STLUCIA	PART
BEDROOM	91LUCIAFLSLT	ST LUCIA BED SLATS FULL	PT-STLUCIA	PART
BEDROOM	91LUCIAKGLT	ST LUCIA BED SLATS KING	PT-STLUCIA	PART
BEDROOM	91LUCIATWSLT	ST LUCIA BED SLATS TWIN	PT-STLUCIA	PART

ARHAUS<sup>®</sup>  
your home

ST. MARTIN

BEDROOM COLLECTION | MADE IN VIETNAM

shown in Smoke  
and Wiley Snow



## A SIMPLE YET ELEGANT PRESENCE

A modern edge to a classic design, our St. Martin Bedroom Collection celebrates heirloom quality in a traditional style. The plush upholstered headboard is complemented with a contrasting wood frame that will add elegance to any bedroom.

Simple-yet-striking case pieces are equipped with spacious drawers accented by beautiful brass or pewter pulls.



### NEED HELP?

Visit a store, call **866.427.4287**, or **live chat**  
with our Design Team to learn more.

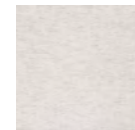
shown in Smoke



### PRODUCT DETAILS

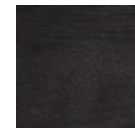
- + Craftsman-built from oak wood, finishes are artfully hand applied.
- + Finished wood surfaces are sealed and lacquered for added protection.
- + Bed frames include space to accommodate variances in mattress sizes and allow bedding to be tucked in.
- + We recommend pairing beds with our Retreat 4" Platform.
- + Queen beds feature a frame cavity measuring 61" w x 80.5" d x 8.5" h with 7" under-bed clearance.
- + King beds feature a frame cavity measuring 77" w x 80.5" d x 8.5" h with 7" under-bed clearance.
- + Drawers are built using dovetail joinery, sit on under-mounted soft-close glides, and feature brass- or pewter-finished hardware to complement the oak wood.
- + Nightstand drawer interiors measure 26" w x 16" d x 4.5" h.
- + 5-Drawer Tall Dresser top drawer interior measures 32" w x 16" d x 7.25" h. Bottom four drawer interiors measure 31.75" w x 16.25" d x 7" h.
- + 6-Drawer Dresser drawer interiors measure 32" w x 16" d x 7" h.
- + 10-Drawer Tall Dresser top drawer interiors measure 31" w x 16.25" d x 4.5" h. Bottom drawer interiors measure 31" w x 16.25" d x 5.75" h.
- + Keep your furniture looking its best. Visit [arhaus.com](http://arhaus.com) or speak to any Arhaus Design Consultant for care recommendations.

### PERFORMANCE FABRIC:

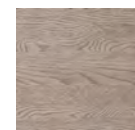


Wiley Snow

### FINISHES:



Smoke



Haze

shown in  
Wiley Snow/Smoke



**KING BED**

82.5" w x 86.7" d x 60" h

Wiley Snow/Smoke 45STMARSKGKT  
Wiley Snow/Haze 45STMARHGKKT

**QUEEN BED**

66.5" w x 87" d x 60" h

Wiley Snow/Smoke 45STMARSQNKT  
Wiley Snow/Haze 45STMARHQKKT

shown in Smoke



**6-DRAWER DRESSER**

72" w x 20" d x 35" h

Smoke 45STMARS6DR  
Haze 45STMARH6DR

shown in Haze



**10-DRAWER TALL DRESSER**

68" w x 20" d x 50" h

Smoke 45STMARS10TD  
Haze 45STMARH10TD



**5-DRAWER TALL DRESSER**

38" w x 20" d x 54" h

Smoke 45STMARS5TDR  
Haze 45STMARH5TDR



shown in Smoke



32" CLOSED NIGHTSTAND

32" w x 20" d x 28" h

Smoke 45STMARSCNT  
Haze 45STMARHCNT



32" OPEN NIGHTSTAND

32" w x 20" d x 28" h

Smoke 45STMARSONT  
Haze 45STMARHONT

shown in Northman Sable



## CONTEMPORARY, RUSTIC DESIGN AT ITS BEST

Our Sullivan Collection is artisan-crafted to frame your space in a grounded aesthetic. Built by hand from natural oak, yellow poplar, and sustainably sourced, reclaimed European oak, hand-stained surfaces feature a smooth finish that accentuates the wood's natural character. Each piece perfectly balances practicality, craftsmanship, and chic styling, bringing natural elements and modern design to your bedroom.

### PRODUCT DETAILS

- + Handcrafted from sustainably sourced yellow poplar, solid oak, and oak veneers, then finished with a rich glaze to emphasize the wood's natural beauty and sealed with matte lacquer for added protection.
- + Pieces finished in Northman Oak and Northman Sable also incorporate reclaimed European oak salvaged from wood beams—with natural weathering, unique cracks, joint lines, and saw marks.
- + Cracks in reclaimed oak are filled with black resin to ensure a smooth surface and add unique detail to each piece.
- + Base and hardware made from iron feature a Burnished Graphite finish.
- + Drawers feature soft-close glides.
- + Natural wood may display small splits, knots, or other organic features that will add character to your piece without affecting its quality or performance.
- + Keep your furniture looking its best. Visit [arhaus.com](https://arhaus.com) or speak to any Arhaus Design Consultant for care recommendations.

### FINISHES:



Northman Sable



Northman Cinder



Northman Oak

| shown in Northman Sable



## KING BED

87.5" w x 88.5" d x 50" h

Northman Sable	45SULLSKGKT2
Northman Cinder	45SULLCINKGKT
Northman Oak	45SULLOAKKGKT

## QUEEN BED

71.5" w x 88.5" d x 50" h

Northman Sable	45SULLSQNKT2
Northman Cinder	45SULLCINQNK
Northman Oak	45SULLOAKQNK



## 6-DRAWER DRESSER

64.5" w x 18" d x 34.5" h

Northman Sable	45SULLSABWD
Northman Cinder	45SULLCINWD
Northman Oak	45SULLOAKWD



## TALL DRESSER

33.75" w x 18" d x 52" h

Northman Sable	45SULLSABTD
Northman Cinder	45SULLCINTD
Northman Oak	45SULLOAKTD



## 11-DRAWER DRESSER

62" w x 18.25" d x 49.5" h

Northman Sable	45SULLSAB11
Northman Cinder	45SULLCIN11
Northman Oak	45SULLOAK11



OPEN NIGHTSTAND

26" w x 18" d x 25.75" h

Northman Sable	45SULLSABNT
Northman Cinder	45SULLCINNT
Northman Oak	45SULLOAKNT

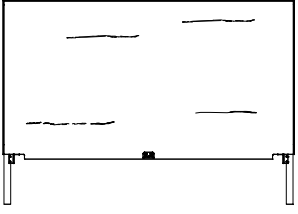
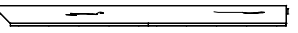
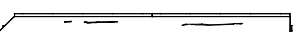
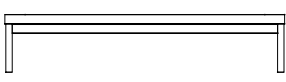
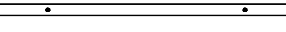
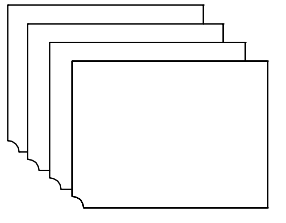


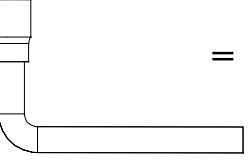
IMAGE NOT  
AVAILABLE

WIDE NIGHTSTAND

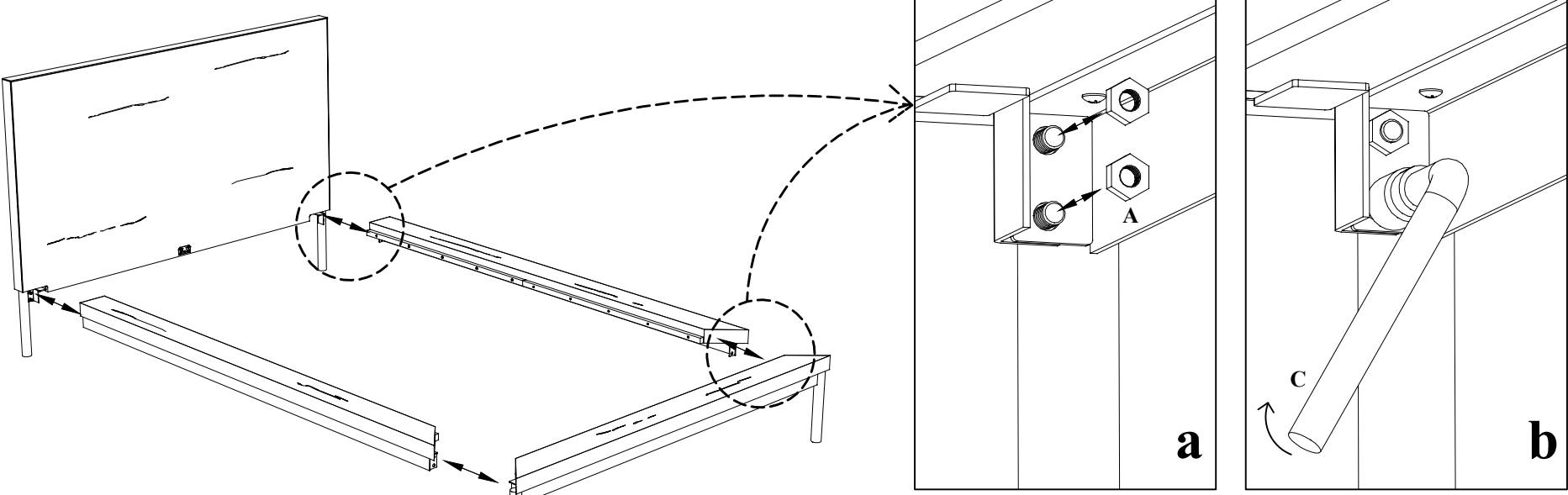
33.5" w x 18" d x 30.5" h

Northman Sable	45SULLWSABNT
Northman Cinder	45SULLWCINNT
Northman Oak	45SULLWOAKNT

# Assembling Instruction Sullivan Bed

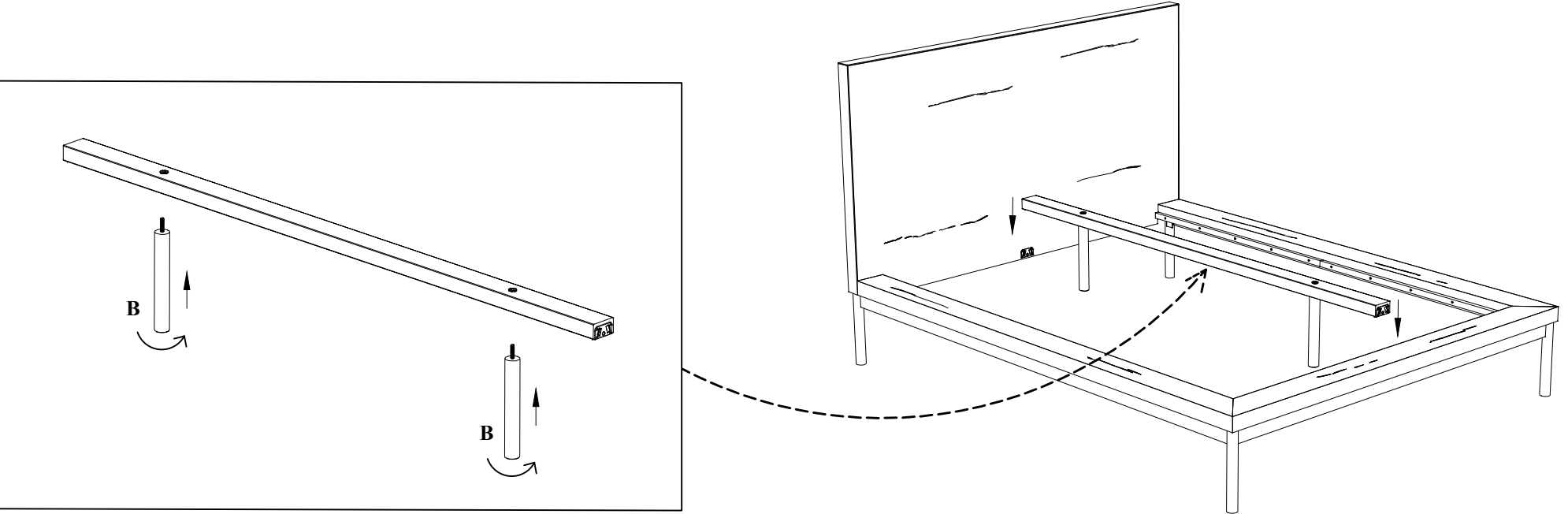
Bed Part		Hardware Kit
<p><b>1</b> =  = <b>Headboard (1 pc)</b></p> <p><b>2a</b> =  = <b>Left Siderail (1 pc)</b></p> <p><b>2b</b> =  = <b>Right Siderail (1 pc)</b></p>	<p><b>3</b> =  = <b>Footboard (1 pc)</b></p> <p><b>4</b> =  = <b>Center Rail (1 pc)</b></p> <p><b>5</b> =  = <b>Slats Panel (4 pcs)</b></p>	<p><b>A</b> =  = <b>Nut (8 pcs)</b></p> <p><b>B</b> =  = <b>Center Support (2 pcs)</b></p> <p><b>C</b> =  = <b>Wrench (1 pc)</b></p>

**1**



**Attach Siderail to Headboard and Footboard, lock with Nut (A) and tighten using Wrench (C) by turning clockwise.**

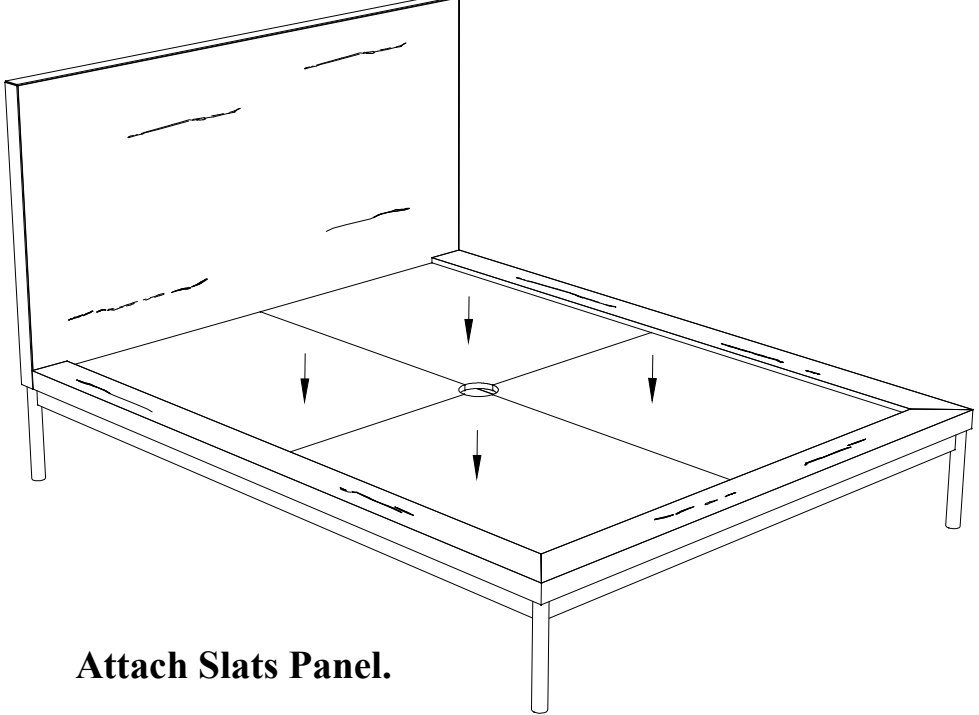
**2**



**Install Center Support (B) into Center Rail by turning clockwise.**

**Attach Center Rail using the bracket on Headboard and Footboard.**

**3**



**Attach Slats Panel.**

# ARHAUS®

your home

## tremont



### King Bed

81" w x 87" d x 54" h

Dry Branch Black 45TREMKGKT  
Midnight Java 45TREMKB RNKT

### Queen Bed

65" w x 87" d x 54" h

Dry Branch Black 45TREMQNKT  
Midnight Java 45TREMQB RNKT

### Full Bed

57.75" w x 80.5" d x 54" h

Dry Branch Black 45TREMFLKT  
Midnight Java 45TREMFB RNKT

### Twin Bed

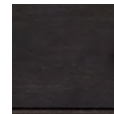
42.75" w x 80.5" d x 54" h

Dry Branch Black 45TREM TWKT  
Midnight Java 45TREM TB RNKT

## beds

- ▶ Beds featuring our Dry Branch Black or Midnight Java finishes are upholstered in our vintage-inspired recycled leather accented by brass nailheads..
- ▶ Bed frames include space to accommodate variances in mattress sizes and allow bedding to be tucked in.

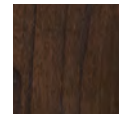
### Finishes:



Dry Branch  
Black



Dry Branch  
Natural



Midnight Java

## historically inspired

Inspired by 18th and 19th century campaign furnishings—originally designed for easy transport and assembly—our Tremont Collection's sophisticated aesthetic is defined by rugged yet elegant details reminiscent of the original style. Craftsman-built using solid hardwood and veneers, this durable collection is beautifully hand-finished with soft stains—selected to enhance the natural texture and dramatic grain found within in each surface. Every comfortable piece is adorned with leather and brass corner caps amongst other classic accents to create a vintage-inspired theme within your space.

## product details

- ▶ Frames are constructed from solid mindi wood and thick mindi veneers, with strength similar to ash and oak hardwoods.
- ▶ Finishes are wire-brushed to accentuate the hardwood frames' natural grain and texture; then lacquered for added protection and a subtle sheen.
- ▶ Drawers are set on full-extension, metal, ball-bearing glides for smooth motion and easy removal.
- ▶ Stain-, fade-, and scratch-resistant leather straps with antique brass buckles are used as pulls.
- ▶ Antique Brass handles are sold separately and delivered via UPS prior to furniture delivery.
- ▶ Drawers are adorned with complementing antique brass handles. Leather drawer pulls are not available for this piece.
- ▶ Keep your furniture looking its best. Visit [arhaus.com](http://arhaus.com) or speak to any Arhaus Design Consultant for care recommendations.



# ARHAUS®

your home

## storage beds

- ▶ Storage Beds featuring our Dry Branch Natural finish are upholstered in ivory linen accented by brass nailheads.
- ▶ Full, Queen, and King Storage Beds feature two drawers on each side.
- ▶ Twin Storage Bed features two drawers on one side; choose which side upon delivery.



### King Storage Bed

81" w x 87" d x 54" h

Drawer interior 33.75" w x 23.25" d x 8" h

Dry Branch Natural 45TREMKSNTKB

Dry Branch Black 45TREMKSNTKB

Midnight Java 45TREMKSNTKB

Antique Brass Handles 45TREMKSNTKB

### Full Storage Bed

57.75" w x 80.5" d x 54" h

Drawer interior 30.5" w x 23.25" d x 8" h

Dry Branch Natural 45TREMFSNATKT\*\*

Dry Branch Black 45TREMFSNTKB

Midnight Java 45TREMFSNTKB

Antique Brass Handles 45TREMFSNTKB

### Queen Storage Bed

65" w x 87" d x 54" h

Drawer interior 33.75" w x 23.25" d x 8" h

Dry Branch Natural 45TREMQSNKTB

Dry Branch Black 45TREMQSNKT

Midnight Java 45TREMQSNKTB

Antique Brass Handles 45TREMQSNKTB

### Twin Storage Bed

42.75" w x 80.5" d x 54" h

Drawer interior 30.5" w x 23.25" d x 8" h

Dry Branch Natural 45TREMTSNATKT\*\*

Dry Branch Black 45TREMTSNTKB

Midnight Java 45TREMTSNTKB

Antique Brass Handles 45TREMTSNTKB

\*\* Includes antique brass drawer pulls. Leather pulls not available.



### 6-Drawer Dresser

62.75" w x 18" d x 33.25" h

Dry Branch Natural 45TREM6DNTBH

Dry Branch Black 45TREM6DRBH\*\*

Midnight Java 45TREM6DBRBH\*\*

Antique Brass Handles 45TREM6DHKT



### 2-Over-3-Drawer Dresser

36.75" w x 18" d x 40.25" h

Dry Branch Natural 45TREM23NTBH

Dry Branch Black 45TREM23BH

Midnight Java 45TREM23BRBH\*\*

Antique Brass Handles 45TREM23HKT



### 5-Drawer Dresser

33" w x 18" d x 49.5" h

Dry Branch Natural 45TREM5DNTBH

Dry Branch Black 45TREM5DBH

Midnight Java 45TREM5DBRBH

Antique Brass Handles 45TREM5DHKT

## case pieces

- ▶ Case pieces feature spacious drawers constructed with dovetail joinery and under-mounted, soft-close glides.



### 3-Drawer Chest

30" w x 18" d x 33" h

Dry Branch Natural 45TREM3DRNAT

Dry Branch Black 45TREM3DBRBH

Midnight Java 45TREM3DRBLK\*\*

Antique Brass Handles 45TREM3DRHKT



### Wardrobe

47.25" w x 24" d x 65.75" h

Dry Branch Natural 45TREMWRDNTB

Dry Branch Black 45TREMWRDBH

Midnight Java 45TREMWRDBRBH\*\*

Antique Brass Handles 45TREMWRDHKT

\*\* Includes antique brass drawer pulls. Leather pulls not available.



### Nightstand

20" w x 16" d x 28" h

Dry Branch Black 45TREMNTBH\*\*

Midnight Java 45TREMNTBRBH

Antique Brass Handles 45TREMNTHKT



### Storage Nightstand

22" w x 19.5" d x 28" h

Dry Branch Natural 45TREMNTSNTB

Dry Branch Black 45TREMNTSBH

Midnight Java 45TREMNTSBRN\*\*

Antique Brass Handles 45TREMNTHKT

## nightstands

- ▶ Storage Nightstands are shaped to allow the drawers of the Storage Bed to easily open.

\*\* Includes antique brass drawer pulls. Leather pulls not available.



### Mirror

50.75" w x 4" d x 39.75" h

Dry Branch Black 45TREMMPR

Midnight Java 45TREMMPBRN

## mirror

- ▶ Can be hung vertically or horizontally; hardware included.
- ▶ Professional installation recommended; please consult a professional before hanging.
- ▶ Weighs 17 lbs.

### Antique Brass Handles

1 handle TREHANDPK1

2 handles TREHANDPK2

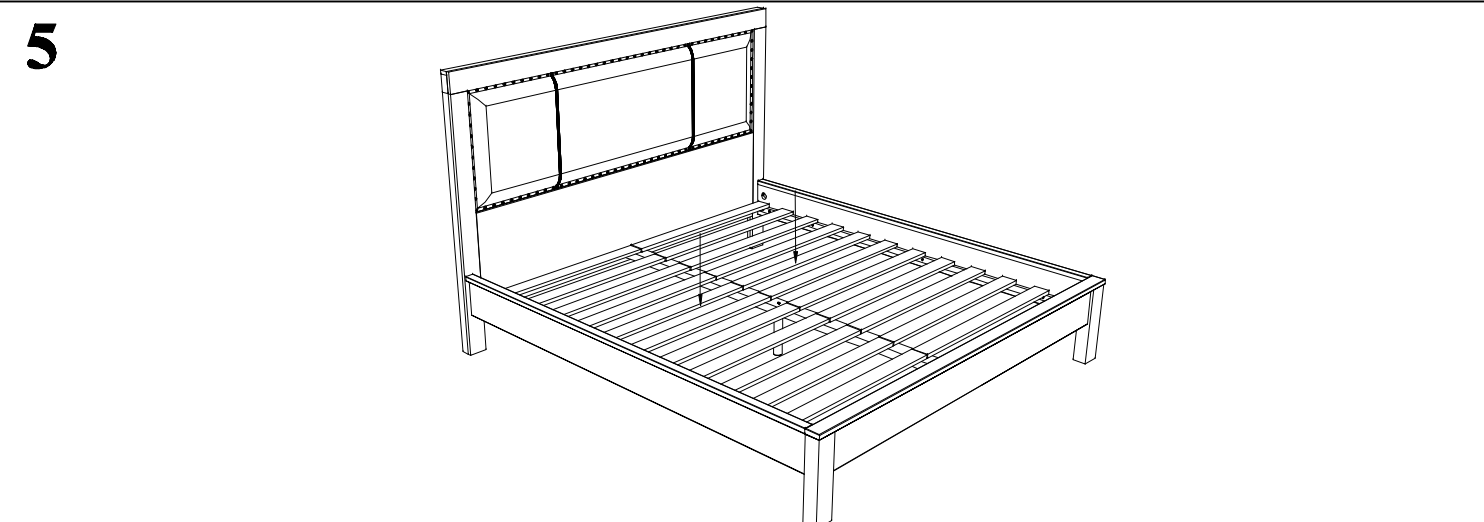
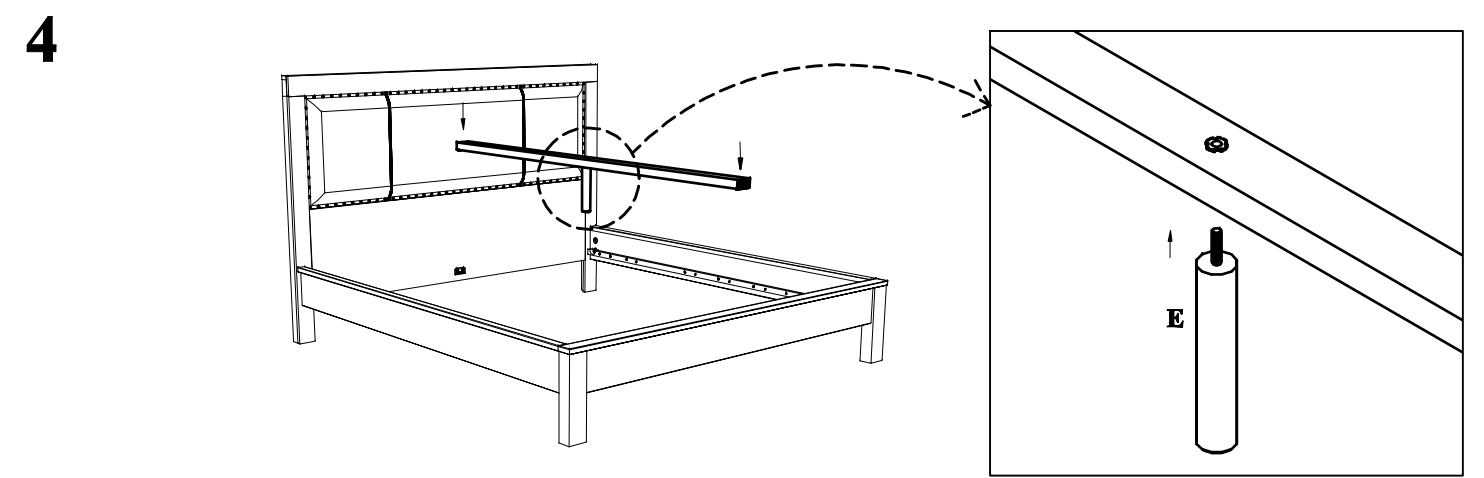
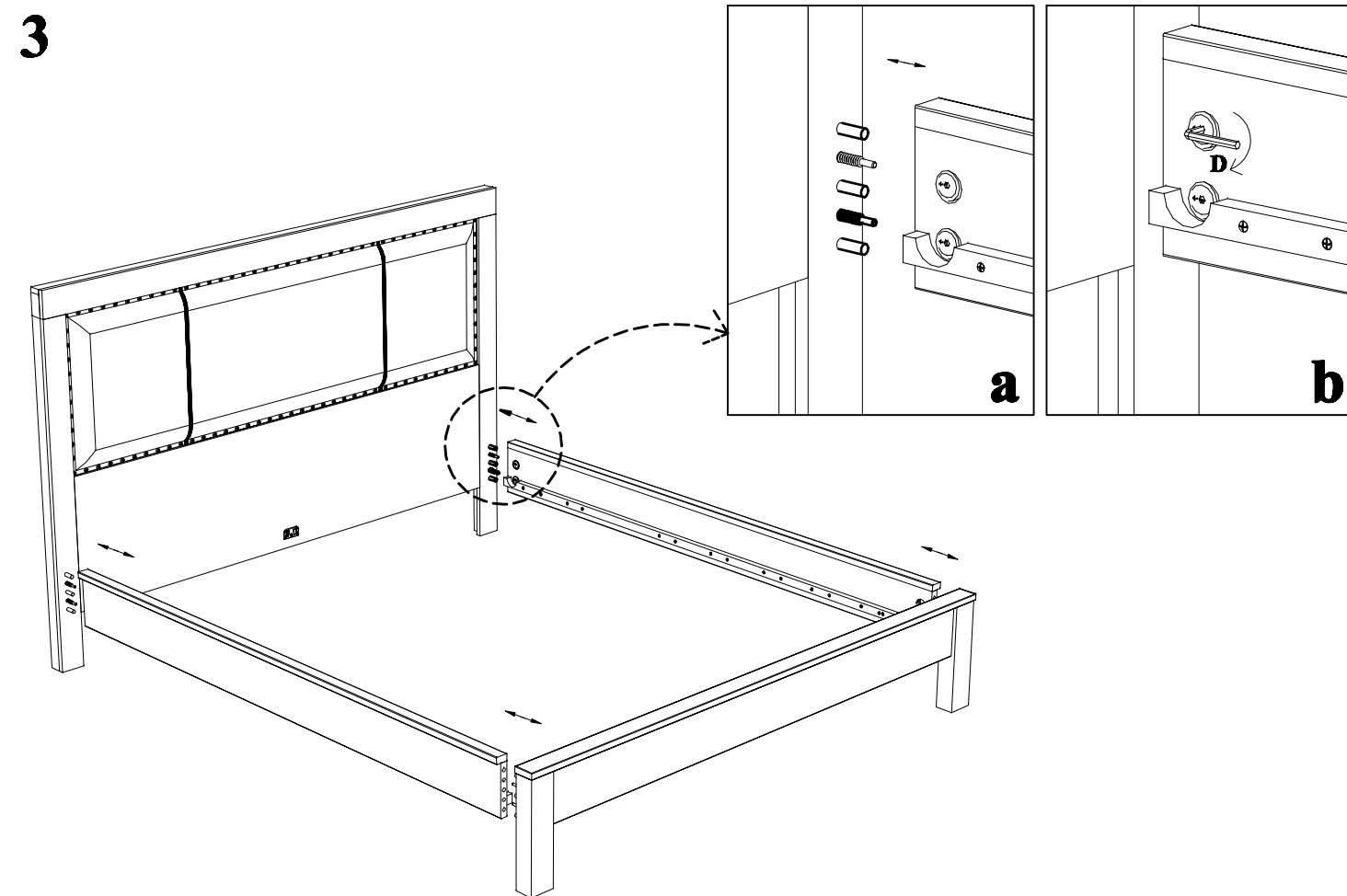
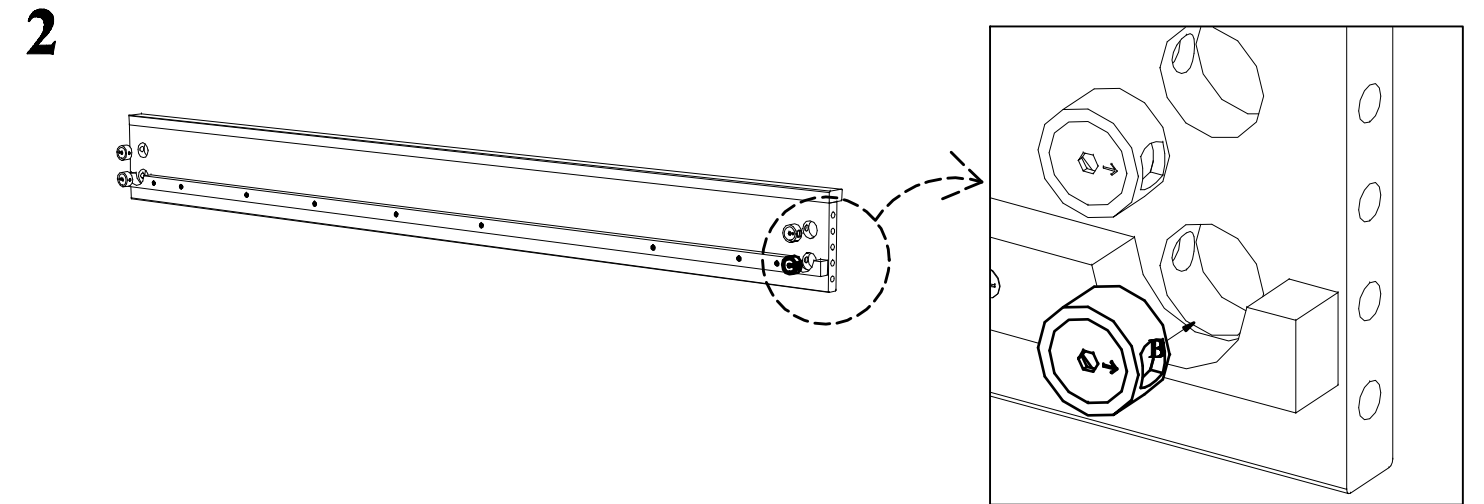
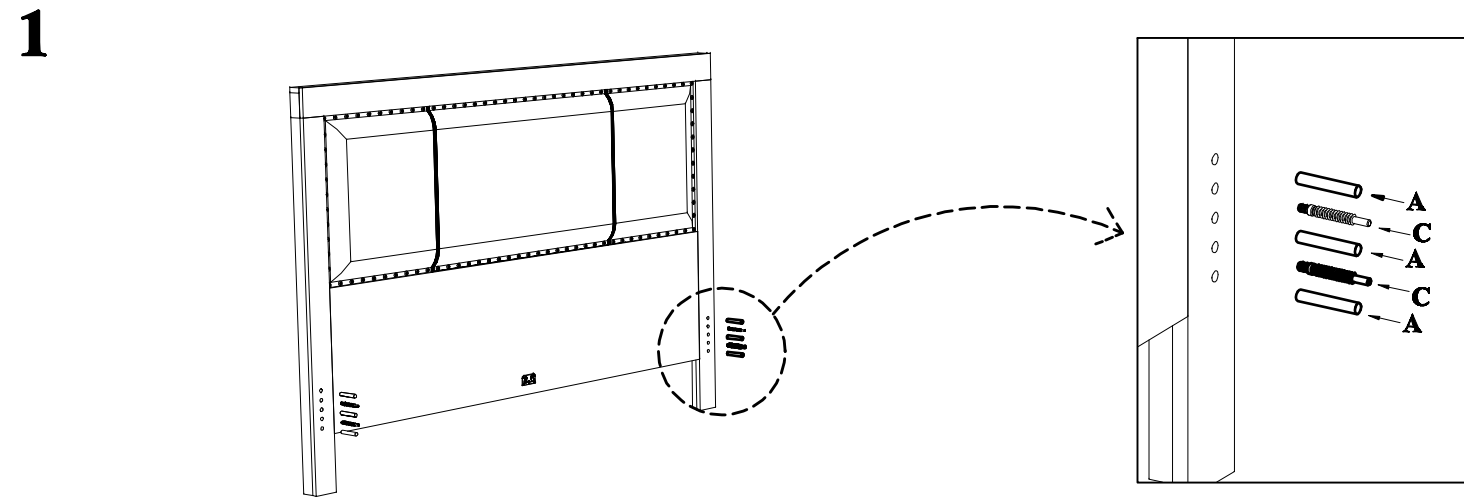
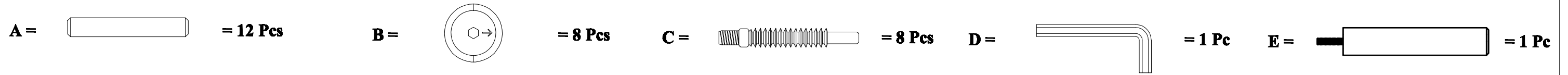
3 handles TREHANDPK3

\*Optional antique brass handles for each piece are sold separately.

45TREMQN 45TREMQRN  
 45TREMKG 45TREMKB RN  
 45TREMFL 45TREMFB RN

# Assembling Instruction Tremont Full, Queen & King Bed

## Hardware Kit (HIB 0044)




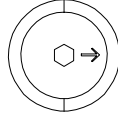


45TREMFW  
45TREMFBRN

# Assembling Instruction Tremont Twin Bed

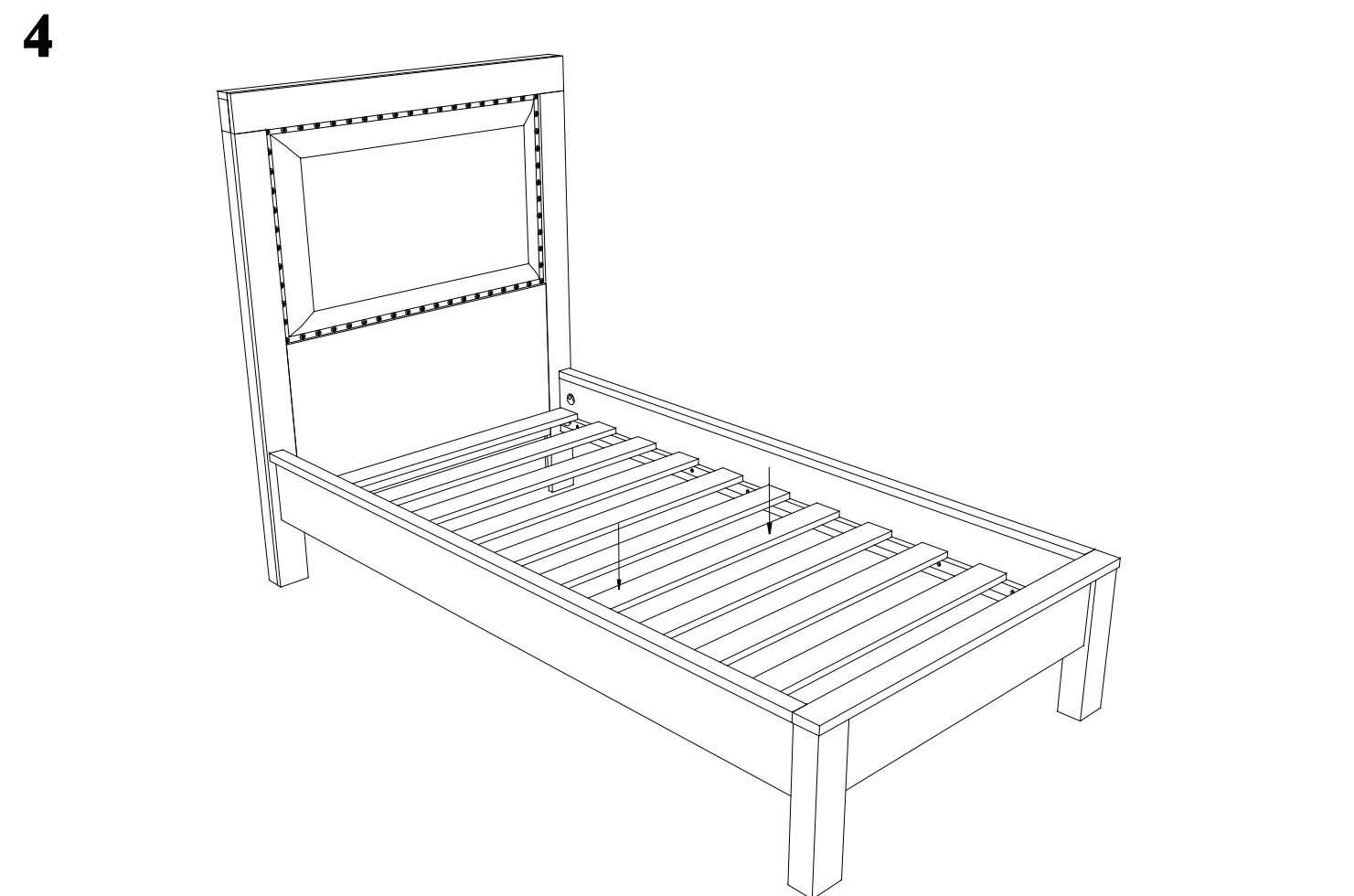
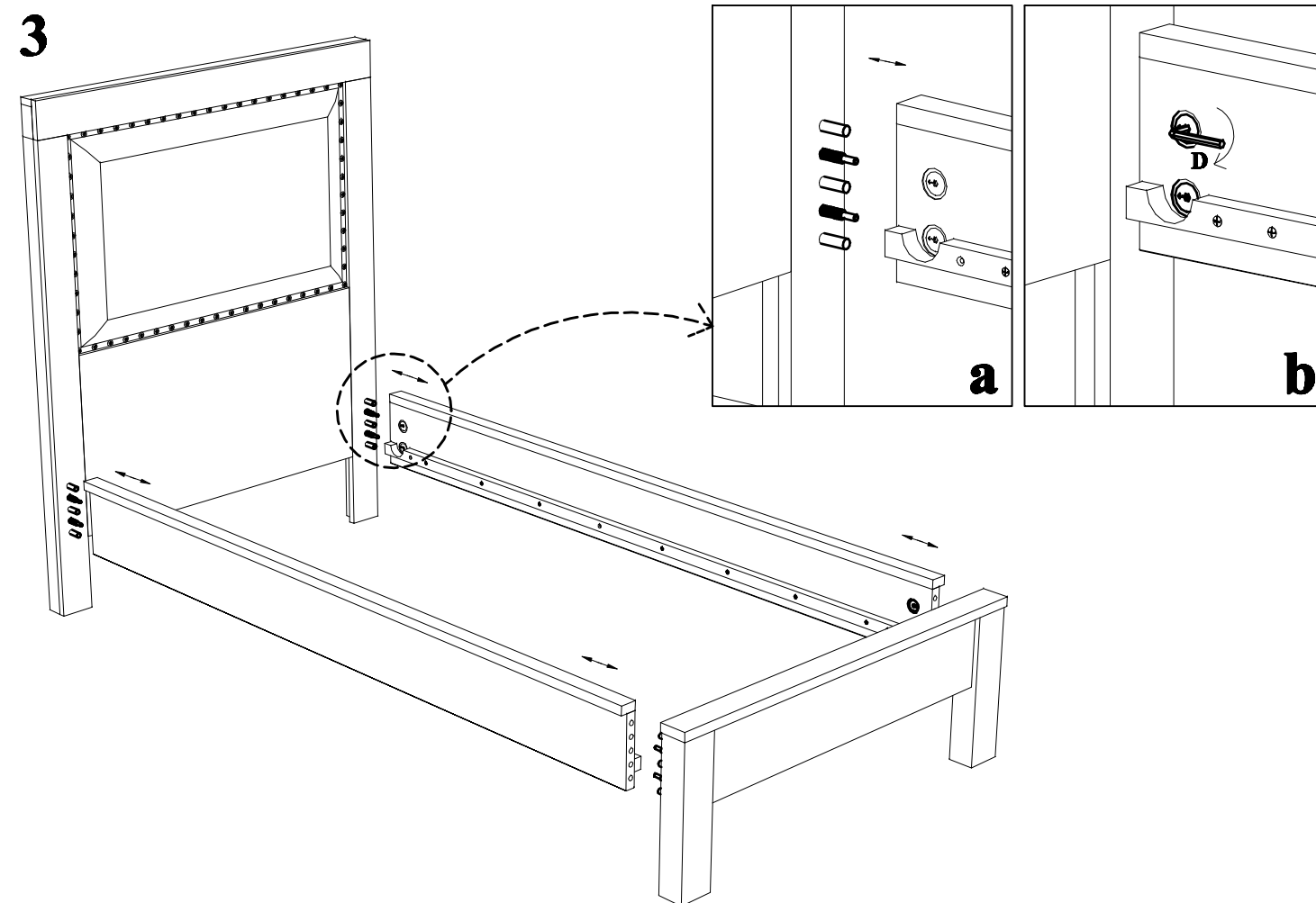
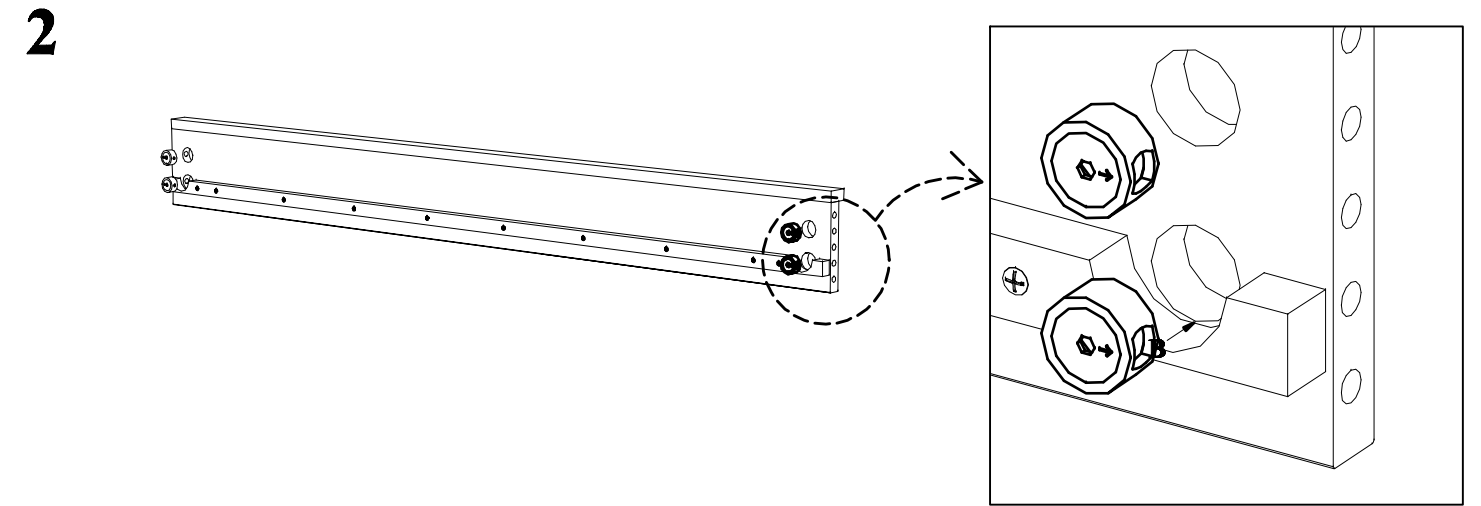
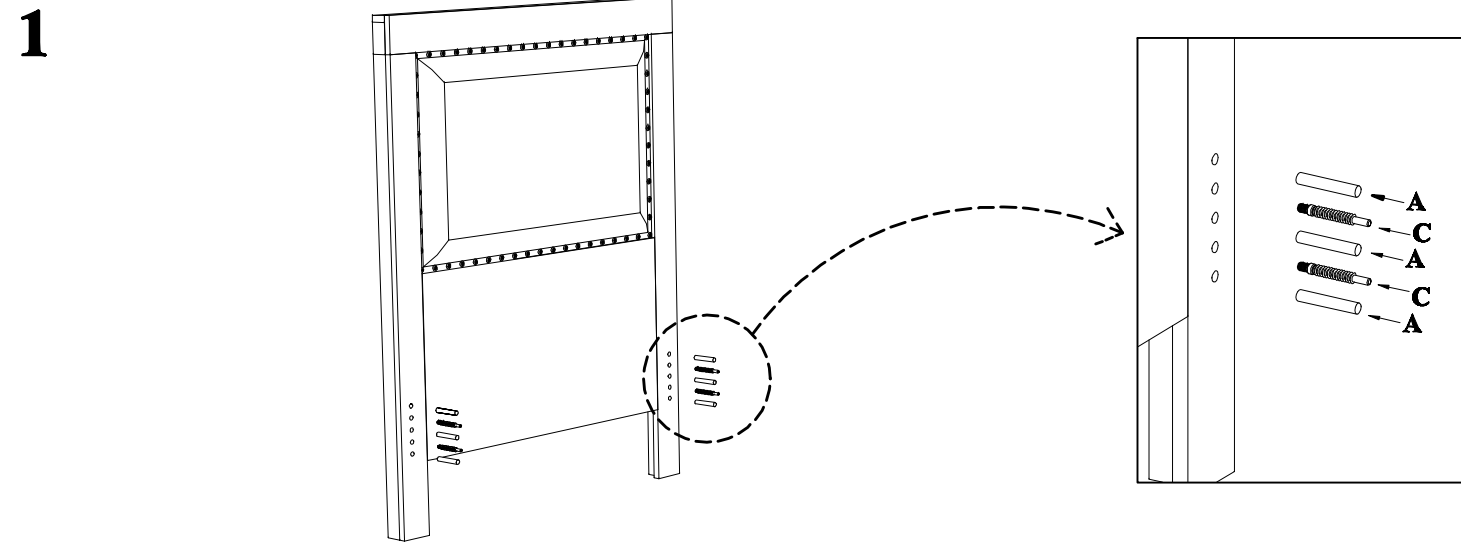
## Hardware Kit (HIB 0105)

A =  = 12 Pcs

B =  = 8 Pcs

C =  = 8 Pcs

D =  = 1 Pc



# BEDROOM PARTS SKUS

Super Category	Product ID	Description	Collection	Route
BEDROOM	91TREMONTWH	TREMONT BED ASSEMBLY HDW KQF NON-STOR ALL SIZES EXCPT TWIN	PT-TREMONT	PART
BEDROOM	91TREMTHWH	TREMONT BED ASSEMBLY HW TWIN TREMONT NON-STORAGE TWIN ONLY	PT-TREMONT	PART
BEDROOM	91TREMFLSLT	TREMONT BED SLATS FULL	PT-TREMONT	PART
BEDROOM	91TREMKGSLT	TREMONT BED SLATS KING	PT-TREMONT	PART
BEDROOM	91TREMQNSLT	TREMONT BED SLATS QUEEN	PT-TREMONT	PART
BEDROOM	91TREMTHWSLT	TREMONT BED SLATS TWIN	PT-TREMONT	PART
BEDROOM	45CONNCAM	TREMONT CAM CONNECTOR	PT-TREMONT	PART
BEDROOM	45CAMLKSCREW	TREMONT CAM LOCK SCREW	PT-TREMONT	PART
BEDROOM	91TREMDBRNLH	TREMONT HANDLE LEATHER FOR BRN TREMONT BROWN FINISH	PT-TREMONT	PART
BEDROOM	91TREMBRNLH	TREMONT HANDLE LTHR FOR BLK/NA TREMONT BLK & NAT FINISH	PT-TREMONT	PART
BEDROOM	45TRESTGSLEG	TREMONT STOR BED SUPPRT LEG 1 SET IS 3 SUPPORT LEGS	PT-TREMONT	PART
BEDROOM	91378STOBED	TREMONT STORAGE BED ASSEMBY HW ALL TREMONT STORAGE BED SIZES	PT-TREMONT	PART
BEDROOM	45378TREKNB	TREMONT WARD DRAWER KNOB	PT-TREMONT	PART
BEDROOM	91TREMWBAR	TREMONT WARDROBE CLOTHING BAR FOR ALL FINISHES	PT-TREMONT	PART
BEDROOM	91TREMSHFBL	TREMONT WARDROBE SHELF BLACK	PT-TREMONT	PART
BEDROOM	91TREMSHFBR	TREMONT WARDROBE SHELF BROWN	PT-TREMONT	PART



Our Wyller Collection's luxurious, contemporary aesthetic is defined by soft, low-profile silhouettes with clean lines. Expertly tailored upholstery hand-sewn by artisans in North Carolina features rich, hand-finished leather or sumptuous fabric, creating a relaxing and restful retreat.

#### PRODUCT DETAILS

- + Selected from the highest quality hides in the world, our leathers are hand-finished to accentuate their natural color variations, distinct textures, and other unique features.
- + Beds upholstered in Tania Cashmere High-Performance Fabric are extremely durable and resist stains and fading but remain beautiful and soft to the touch.
- + Frames are craftsman-built in America using solid, reinforced hardwood certified by the Sustainable Forestry Initiative.
- + Upholstered surfaces contain dense foam made from partially plant-based material, padded with poly fibers.
- + We recommend pairing Wyller Beds with our Retreat 4" Platform.
- + Bed frame includes space to accommodate variances in mattress sizes and to allow bedding to be tucked in.
- + Queen Bed features an internal cavity measuring 61" w x 81.5" d x 5.5" h.
- + King Bed features an internal cavity measuring 77" w x 81.5" d x 5.5" h.
- + California King Bed features an internal cavity measuring 73" w x 85.5" d x 5.5" h.
- + Keep your furniture looking its best. Visit [arhaus.com](http://arhaus.com) or speak to any Arhaus Design Consultant for care recommendations.

#### FABRICS:



Tania  
Cashmere

#### NEED HELP?

Visit a store, call **866.427.4287**, or **live chat** with our Design Team to learn more.

# ARHAUS®

your home

# WYLLER

CAMDEN BEDROOM COLLECTION  
MADE IN AMERICA



## KING BED

88" w x 88" d x 52" h

Tania Cashmere

45WYLERKG3

## KING BED

88" w x 88" d x 63" h

Tania Cashmere

45WYLER63KG3

## QUEEN BED

72" w x 88" d x 52" h

Tania Cashmere

45WYLERQN3

## QUEEN BED

72" w x 88" d x 63" h

Tania Cashmere

45WYLER63QN3

## CALIFORNIA KING BED\*

84" w x 92" d x 52" h



## 55" BENCH

55" w x 22" d x 21" h

Tania Cashmere

45WY LTC55BN



## 70" BENCH

70" w x 22" d x 21" h

Tania Cashmere

45WY LTC70BN

## BEDROOM PARTS SKUS

Super Category	Product ID	Description	Stat	Collection
BEDROOM	91WYLLERLEG	WYLLER LEG 1 LEG	A	PT-WYLLER

# ARHAUS®

your home

## elite motion base



### Split King

78" w x 80" d x 15" h; each half is 39" w  
50KELTMBSPKT

### Horizontal King

76" w x 80" d x 15" h  
50KGELTMOTBS

### Split California King

72" w x 84" d x 15" h; each half is 36" w  
50CKETMBSPKT

### Horizontal Queen

60" w x 80" d x 15" h  
50QNELTMOTBS

### Split Queen\*

60" w x 80" d x 15" h; each half is 30" w

### Full\*

54" w x 75" d x 15" h

### Twin\*

39" w x 75" d x 15" h

\*available by special order only.

## turn your mattress into a luxury retreat.

Designed to accommodate our Retreat Mattress Collection, our Elite Motion Bases allow you to adjust the angle and shape of your mattress to match your personal comfort preferences. With the simple touch of a button and a wide range of positions, your bed will be the ideal lounge for reading, watching movies or working on your laptop. With engineered ergonomic support, this sleep system will help you slumber more restfully and help reduce snoring. Plus, massage and continuous motion functions will keep you as relaxed as possible.

### product details

- ▶ Motion bases feature adjustable height options at the push of a button.
- ▶ Features anti-snore, full lounge, and zero gravity positions along with a soothing therapeutic massage function and continuous motion mode.
- ▶ Built-in USB outlets provide power for mobile device chargers and other bedside electronics.
- ▶ Under-bed LED nightlight illuminates the surrounding floor at night.
- ▶ Includes wireless remote.
- ▶ Supported by durable steel legs for ensured stability.
- ▶ Two heavy duty motors have a lift capacity of 850 lbs. each.
- ▶ Includes battery backup system.
- ▶ Designed for use with our Retreat Mattresses. Mattresses are sold separately.
- ▶ Compatible with all Arhaus non-platform beds.
- ▶ King bases are split and can operate as a single unit or as two independent halves.
- ▶ For halves of a split base to function independently, they must be used with a split mattress.
- ▶ 20-year limited warranty. (Register at <http://www.bedframes.com/rize/rize-registration>)
- ▶ UL, ETL and Energy Star certified and approved.
- ▶ Under-bed clearance measures 12" h.



elite motion base | bedroom collection | made in America

Dimensions may vary slightly. Please ensure furnishings fit through interior structures and into desired space before purchase.

# ARHAUS®

your home

## WARRANTY

### 20-YEAR PREMIUM LIMITED WARRANTY FOR ADJUSTABLE BEDS

CUSTOMATIC ADJUSTABLE BEDZ®, (CUSTOMATIC ADJUSTABLE BEDZ®) warrants this adjustable bed to the consumer who is the original purchaser (the “purchaser,” subject to the terms and conditions set forth herein). This warranty begins on the “warranty commencement date,” or the purchase date for new and unused adjustable beds. For adjustable beds that have been used either as floor or display models, the “warranty commencement date” is the date the bed was manufactured. Therefore, a floor or display model bed is covered by a portion of the limited 20-year warranty. The purchaser must show original proof of purchase for warranty to be valid. If proof of purchase is not presented, CUSTOMATIC ADJUSTABLE BEDZ® holds full right to determine whether the adjustable bed is covered by the warranty. In so doing, CUSTOMATIC ADJUSTABLE BEDZ® has the right to use the manufacturing date as the warranty commencement date.

*The 20-Year Limited Warranty is extended solely to the original purchaser. This warranty is not transferrable.*

### FULL 3-YEAR WARRANTY (PARTS)

This adjustable bed is warranted against defects in the workmanship or materials for a period of three years from the warranty commencement date. Upon notice during the first three years after the warranty commencement date, CUSTOMATIC ADJUSTABLE BEDZ® will replace any defective adjustable bed part based on the criteria listed below.

#### YEAR 1: FULL COVERAGE OF PARTS & LABOR

This adjustable bed is warranted against workmanship and craftsmanship defects or defective materials for up to one (1) year from the warranty commencement date. When notified by purchaser within the first year, CUSTOMATIC ADJUSTABLE BEDZ® will supply replacements (at no cost to the purchaser) for any defective or malfunctioning adjustable bed part. CUSTOMATIC ADJUSTABLE BEDZ® must authorize that the part is defective or malfunctioning before replacement parts are supplied to purchaser or any labor costs are absorbed. Once CUSTOMATIC ADJUSTABLE BEDZ® approves the part is defective or malfunctioning, they will absorb the costs for pre-authorized labor and any transportation costs associated with the repair/replacement of any parts. For this one (1) year warranty to be valid, any and all defective or malfunctioning parts must be returned by the original purchaser (or by an authorized CUSTOMATIC ADJUSTABLE BEDZ® in-home technician or agent) to CUSTOMATIC ADJUSTABLE BEDZ's® Customer Care Center within 15 days of purchaser receiving replacement parts.

#### YEARS 2 AND 3: FULL COVERAGE OF PARTS ONLY.

After the first year from the warranty commencement date, and up to three (3) years from the warranty commencement date, CUSTOMATIC ADJUSTABLE BEDZ® will provide replacement parts for any defective or malfunctioning adjustable bed part upon receiving written notice from the original purchaser. This two (2) year warranty is only valid once any and all defective or malfunctioning parts are returned by the original purchaser to CUSTOMATIC ADJUSTABLE BEDZ's® Customer Care Center within 15 days of purchaser receiving replacement parts. The original purchaser is responsible for all service, transportation, labor and shipping & handling costs related to the delivery and/or replacement of the defective or malfunctioning part(s).

#### YEARS 4 THROUGH 20: PRORATED COVERAGE OF NON ELECTRICAL PARTS ONLY.

After the third year of the warranty commencement date, and up to twenty (20) years from the warranty commencement date, CUSTOMATIC ADJUSTABLE BEDZ® will issue replacements (upon terms and conditions described below) for any mechanical bed part found to be defective or malfunctioning upon receiving written notice from the original purchaser. This does not apply to electronics, electrical components, massage motors and lift motors. Purchaser will be required to pay 1/17th of the (then) current replacement cost of the part multiplied by the number of years past the third year from the warranty commencement date. CUSTOMATIC ADJUSTABLE BEDZ® will take responsibility for the remaining cost of the replacement part. This seventeen (17) year warranty is only valid once any and all defective or malfunctioning parts are returned by the original purchaser to CUSTOMATIC ADJUSTABLE BEDZ's® Customer Care Center within 15 days of purchaser receiving replacement parts. Purchaser holds responsibility for all labor and transportation costs related to the replacement of the defective part up to twenty (20) years after the commencement date. After the twentieth year, purchaser will be responsible for the entire cost of repair and replacement of all defective parts and materials, including service and transportation costs associated with the repair or part replacement.

# ARHAUS®

your home

## ADDITIONAL TERMS AND CONDITIONS

This warranty is considered void: 1) if any damage to the adjustable bed is caused by the purchaser; 2) if any unauthorized repair or replacement of parts has taken place; 3) if the adjustable bed has been handled incorrectly in transit or otherwise, subjected to physical or electrical abuse or misuse, or otherwise operated in a way that does not adhere to the guidelines for proper operation and maintenance outlined in the Owner's Manual, this warranty, and any other applicable text published or approved by CUSTOMATIC ADJUSTABLE BEDZ®; 4) in relation to any damage to mattresses, fabric, cables, electrical cords or items supplied by dealers. Contact the dealer or relevant party for warranty information on these items; 5) if any unnecessary service calls have taken place, including fees for in-home service calls solely for the consumer's educational purposes or for finding an unsatisfactory power connection; 6) if the recommended weight restrictions (Twin/TXL/Split QN/Split CA King: 575 Pounds, Full/FXL: 600 Pounds, Queen: 650 Pounds) and guidelines for proper distribution of weight outlined in the Owner's Manual are not followed. Repairs to or replacement of the adjustable bed or its components under the terms of this limited warranty will apply to the original warranty period and will not serve to extend such period. The decision for the repair or replacement of defective parts under this warranty is at the option and sole discretion of CUSTOMATIC ADJUSTABLE BEDZ®.

REPAIR OR REPLACEMENT OF ADJUSTABLE BED PARTS WILL BE THE SOLE REMEDY OF THE PURCHASER. CUSTOMATIC ADJUSTABLE BEDZ®, AND THEIR PARENTS, SUBSIDIARIES, DIVISIONS, AFFILIATES OR AGENTS HOLD ABSOLUTELY NO OR ANY SPECIAL, INDIRECT, INCIDENTAL, OR CONSEQUENTIAL DAMAGES OR FOR ANY OTHER DAMAGE, CLAIM, OR LOSS NOT EXPRESSLY COVERED BY THE TERMS OF THIS WARRANTY.

No reimbursement will be made to the purchaser for inconvenience, removal, installation, setup time, lack of use, shipping, or any other costs or expenses not covered by this warranty. CUSTOMATIC ADJUSTABLE BEDZ® does not hold responsibility for in-home service on adjustable beds. You must contact your dealer or party that sold the adjustable bed for any terms and conditions relating to their in-home service, should any exist.

CUSTOMATIC ADJUSTABLE BEDZ®, AND THEIR PARENTS, SUBSIDIARIES, DIVISIONS, AFFILIATES OR AGENTS MAKE NO OTHER WARRANTY WHATSOEVER, EXPRESS OR IMPLIED. ALL IMPLIED WARRANTIES OF MERCHANTABILITY AND FITNESS FOR A PARTICULAR PURPOSE ARE DISCLAIMED BY NAME AND EXCLUDED FROM THIS AGREEMENT.

The above limitation or exclusion may not apply to every purchaser as some states disallow exclusions or limitations of incidental or consequential damages. This warranty allows the purchaser specific legal rights. The purchaser may also have other rights, which can vary from state to state. This warranty is valid in the contiguous United States, and includes Alaska, Puerto Rico and Canada.

---

\*TO ACTIVATE YOUR WARRANTY, YOU MUST REGISTER YOUR PRODUCT UPON DELIVERY USING THE FORM BELOW OR BY VISITING: [HTTP://WWW.BEDFRAMES.COM/RIZE/RIZE-REGISTRATION](http://www.bedframes.com/rize/rize-registration)

*For additional accessories and customer service, please call 1.800.333.8333*



# ARHAUS®

your home

## WARRANTY REGISTRATION FORM

name: \_\_\_\_\_

address: \_\_\_\_\_

address: \_\_\_\_\_ phone: \_\_\_\_\_

email: \_\_\_\_\_ city: \_\_\_\_\_

state: \_\_\_\_\_ zip code: \_\_\_\_\_

store where purchased: \_\_\_\_\_ bed serial no.: \_\_\_\_\_

invoice No.: \_\_\_\_\_

## SURVEY

gender: male

age:  18-30  31-40

female

41-50  51-60

61-70  71 & UP

reason for purchasing an adjustable bed:

health

comfort

other

how did you find out about CUSTOMATIC Bedz:

advertising

a friend

store

article/review

internet

other

PLEASE MAIL TO: CUSTOMATIC Adjustable Bedz® Customer Care Center, PO. BOX 10909, Riviera Beach, FL 33419 USA

**EUROTOP**  
retreat mattress collection  
made in AMERICA



## Customize your sleep destination with our redesigned Eurotop.

The updated pillowtop eliminates the flange (the rim or ridge), presenting a cleaner profile while maintaining the extra comfort. Choose from firm, plush, memory foam or latex inserts available in

dual options so you and your sleeping partner can rest easy with your own individual preferences.

### BOX SPRINGS AND PLATFORMS

- ▶ Works universally with all mattress options.
- ▶ Offered in an 8" box spring or a 4" platform.
- ▶ Both feature metal corner guards—instead of industry-standard plastic—for longevity.
- ▶ We recommend the 4" platform for our Eurotop.

### ABOUT OUR MATTRESS MAKER

We took the same care and consideration that we do for all of our products in creating your Retreat mattress program. Working with a family-owned business, here in the United States, each one is handcrafted one-at-a-time. Any leftover pieces of foam or fabric are collected and sent to a company for re-use as carpet backing. It's our way of being sustainable, while keeping our commitment to quality.



## Euro King

- Plush** 50EUPLKG
- Firm** 50EUFMRMG
- Memory** 50EUMEKG
- Latex** 50EULAKG
- Split Firm/Plush** 50EUFMRPLKG
- Split Firm/Memory** 50EUFMRMEKG
- Split Firm/Latex** 50EUFMRMLAKG
- Split Plush/Memory** 50EUPLMEKG
- Split Plush/Latex** 50EUPLLAKG
- Split Memory/Latex** 50EUMELAKG

## Euro Queen

- Firm** 50EUFMRQN
- Plush** 50EUPLQN
- Memory** 50EUMEQN
- Latex** 50EULAQN
- Split Firm/Plush** 50EUFMRPLQN
- Split Firm/Memory** 50EUFMRMEQN
- Split Firm/Latex** 50EUFMRMLAQN
- Split Plush/Memory** 50EUPLMEQN
- Split Plush/Latex** 50EUPLLAQN
- Split Memory/Latex** 50EUMELAQN

## Euro Full

- Firm** 50EUFMRFL
- Plush** 50EUPLFL
- Memory** 50EUMEFL
- Latex** 50EULAFLL

## BOX SPRING & PLATFORM

- Retreat Box Spring Full** 50BXSPL
- Retreat Box Spring KG Split** 50BXSPLKGSPL
- Retreat Box Spring QN** 50BXSPLQN
- Retreat Box Spring Twin** 50BXSPLTWN
- Retreat Platform Full** 50PLATFL
- Retreat Platform King Split** 50PLATKGSPL
- Retreat Platform Queen** 50PLATQN

Choose from firm, plush, memory foam or latex inserts. Dual options available.

	PLUSH	FIRM	MEMORY	EURO	BOX SPRING	PLATFORM
<b>TWIN</b>	38" w x 74" d x 12" h	38" w x 75" d x 12" h			38" w x 75" d x 8" h	38" w x 75" d x 4" h
<b>FULL</b>	54" w x 75" d x 12" h	54" w x 75" d x 12" h	54" w x 74" d x 10" h	54" w x 75" d x 13" h	54" w x 75" d x 8" h	54" w x 75" d x 4" h
<b>QUEEN</b>	60" w x 80" d x 12" h	60" w x 80" d x 12" h	60" w x 80" d x 10" h	60" w x 80" d x 13" h	60" w x 80" d x 8" h	60" w x 80" d x 4" h
<b>KING</b>	76" w x 80" d x 12" h	76" w x 80" d x 12" h	76" w x 80" d x 10" h	76" w x 80" d x 13" h	38" w x 80" d x 8" h	38" w x 80" d x 4" h

## product details

- ▶ Insert can be split for dual preferences.
- ▶ Redesigned pillow top features 6 inches of comfort foam.
- ▶ Marshall unit coils create edge-to-edge sink-in support. All heat-tempered coils, center and quantum edge, are individually wrapped pocket coils. The center coils are 15 GA and the quantum edge coils are 16 GA.
- ▶ Pair with our 8" box spring or our 4" platform.
- ▶ King features 1136 coils.
- ▶ Queen features 932 coils.
- ▶ Full features 778 coils.
- ▶ Twin features 590 coils.

### POLY FOAM INSERT

- ▶ Choose from firm 1.8 density with 35 ILD OR plush 1.5 density with 15 ILD foam.
- ▶ New advancements in foam comfort layer provide support, comfort and cooling.

### GEL MEMORY FOAM INSERT

- ▶ Features 3", 5 lb. gel memory foam.
- ▶ Gel memory foam is the newest technology in foam beds.

- ▶ Cooling gel veins minimize the excess heat present in older technologies.
- ▶ This hybrid bed offers the benefits of memory foam while still giving the support of innersprings.

### LATEX FOAM INSERT

- ▶ Features 3" of medium-firm latex foam, known for durability and longevity.
- ▶ Latex—a natural material deriving from rubber tree sap—resists dust mites, bacteria and molds.
- ▶ This hybrid bed offers the benefits of latex foam while still giving the support of innersprings.

## recommended care

- ▶ Features removable zipper cover.
- ▶ One-sided; does not need to be flipped.
- ▶ Rotating mattress periodically is recommended.
- ▶ Annual vacuuming will extend the life and cleanliness of this mattress.
- ▶ Mattress pads are recommended.



**FIRM**  
retreat mattress collection  
made in AMERICA

## A supportive destination for relaxation and rejuvenation.

This handcrafted mattress creates more surface area with its edge-spring Marshall unit system. Unlike traditional innerspring systems, our heat-tempered center and quantum edge springs are individually wrapped pocketed coils, which result in a mattress that is more

responsive to movement with edge-to-edge support. Rest easy with less side-to-side transfer of motion, this collection fits to the contours of the body. A final comfort layer has been redesigned to provide support, comfort and cooling.

### BOX SPRINGS AND PLATFORMS

- ▶ Works universally with all mattress options.
- ▶ Offered in an 8" box spring or a 4" platform.
- ▶ Both feature metal corner guards—instead of industry-standard plastic—for longevity.
- ▶ We recommend the 4" platform for our Eurotop.

### ABOUT OUR MATTRESS MAKER

We took the same care and consideration that we do for all of our products in creating your Retreat mattress program. Working with a family-owned business, here in the United States, each one is handcrafted one-at-a-time. Any leftover pieces of foam or fabric are collected and sent to a company for re-use as carpet backing. It's our way of being sustainable, while keeping our commitment to quality.



**Retreat Firm**  
**Full** 50FRMFL  
**King** 50FRMKG  
**Queen** 50FRMQN  
**Twin** 50FRMTW

BOX SPRING & PLATFORM

**Retreat Box Spring Full** 50BXSPFL  
**Retreat Box Spring KG Split** 50BXSPKGSPL  
**Retreat Box Spring QN** 50BXSPQN  
**Retreat Box Spring Twin** 50BXSPTW  
**Retreat Platform Full** 50PLATFL  
**Retreat Platform King Split** 50PLATKGSPL  
**Retreat Platform Queen** 50PLATQN

	PLUSH	FIRM	MEMORY	EURO	BOX SPRING	PLATFORM
TWIN	38" w x 74" d x 12" h	38" w x 75" d x 12" h			38" w x 75" d x 8" h	38" w x 75" d x 4" h
FULL	54" w x 75" d x 12" h	54" w x 75" d x 12" h	54" w x 74" d x 10" h	54" w x 75" d x 13" h	54" w x 75" d x 8" h	54" w x 75" d x 4" h
QUEEN	60" w x 80" d x 12" h	60" w x 80" d x 12" h	60" w x 80" d x 10" h	60" w x 80" d x 13" h	60" w x 80" d x 8" h	60" w x 80" d x 4" h
KING	76" w x 80" d x 12" h	76" w x 80" d x 12" h	76" w x 80" d x 10" h	76" w x 80" d x 13" h	38" w x 80" d x 8" h	38" w x 80" d x 4" h

## product details

- ▶ Available in king, queen, full and twin sizes.
- ▶ The cover is a soft, quilted cotton material.
- ▶ Features 4" of 1.8 density foam and 35 ILD rating.
- ▶ Marshall unit coils create edge-to-edge sink-in support. All heat-tempered coils, center and quantum edge, are individually wrapped pocket coils. The center coils are 15 GA and the quantum edge coils are 16 GA.
- ▶ Pair with our 8" box spring or our 4" platform.
- ▶ King features 1136 coils.

- ▶ Queen features 932 coils.
- ▶ Full features 778 coils.
- ▶ Twin features 590 coils.

## recommended care

- ▶ One-sided; does not need to be flipped.
- ▶ Rotating mattress periodically is recommended.
- ▶ Annual vacuuming will extend the life and cleanliness of this mattress.
- ▶ Mattress pads are recommended.

## MEMORY FOAM

retreat mattress collection

made in AMERICA



### Memory Foam is a sleep destination for improved circulation and joint relief.

This incredible new technology reacts to heat and pressure, and actually cradles your body. Unlike innerspring beds that “push” your

body up, the sink-in comfort of this mattress means less tossing and turning for a more restful sleep.

#### BOX SPRINGS AND PLATFORMS

- ▶ Works universally with all mattress options.
- ▶ Offered in an 8" box spring or a 4" platform.
- ▶ Both feature metal corner guards—instead of industry-standard plastic—for longevity.
- ▶ We recommend the 4" platform for our Eurotop.

#### ABOUT OUR MATTRESS MAKER

We took the same care and consideration that we do for all of our products in creating your Retreat mattress program. Working with a family-owned business, here in the United States, each one is handcrafted one-at-a-time. Any leftover pieces of foam or fabric are collected and sent to a company for re-use as carpet backing. It's our way of being sustainable, while keeping our commitment to quality.



**Retreat Memory Foam**

**Full** 50MEFL

**King** 50MEKG

**Queen** 50MEQN

---

**BOX SPRING & PLATFORM**

**Retreat Box Spring Full** 50BXSPFL

**Retreat Box Spring KG Split** 50BXSPKGSPL

**Retreat Box Spring QN** 50BXSPQN

**Retreat Box Spring Twin** 50BXSPTW

**Retreat Platform Full** 50PLATFL

**Retreat Platform King Split** 50PLATKGSPL

**Retreat Platform Queen** 50PLATQN

	<b>PLUSH</b>	<b>FIRM</b>	<b>MEMORY</b>	<b>EURO</b>	<b>BOX SPRING</b>	<b>PLATFORM</b>
<b>TWIN</b>	38" w x 74" d x 12" h	38" w x 75" d x 12" h			38" w x 75" d x 8" h	38" w x 75" d x 4" h
<b>FULL</b>	54" w x 75" d x 12" h	54" w x 75" d x 12" h	54" w x 74" d x 10" h	54" w x 75" d x 13" h	54" w x 75" d x 8" h	54" w x 75" d x 4" h
<b>QUEEN</b>	60" w x 80" d x 12" h	60" w x 80" d x 12" h	60" w x 80" d x 10" h	60" w x 80" d x 13" h	60" w x 80" d x 8" h	60" w x 80" d x 4" h
<b>KING</b>	76" w x 80" d x 12" h	76" w x 80" d x 12" h	76" w x 80" d x 10" h	76" w x 80" d x 13" h	38" w x 80" d x 8" h	38" w x 80" d x 4" h

## product details

- ▶ Available in king, queen and full sizes.
- ▶ Helps improve circulation and reduces stress on pressure points.
- ▶ Features four inches of memory foam with internal cooling gel. Gel memory foam is the newest technology in foam beds and minimizes the excess heat found in older technologies. Experts recommend at least 3" to receive the full health benefits.
- ▶ Comfort layers: 2", 5 lb. gel memory foam and 3", 3 lb. gel memory foam.
- ▶ Support layer: 5" polycore (all foam mattresses utilize a foam core to support the foam materials).
- ▶ Includes removable zipper cover.
- ▶ Pair with our 8" box spring or our 4" platform.

## recommended care

- ▶ One-sided; does not need to be flipped.
- ▶ Rotating mattress periodically is recommended.
- ▶ Annual vacuuming will extend the life and cleanliness of this mattress.
- ▶ Mattress pads are recommended.



**PLUSH**  
retreat mattress collection  
made in AMERICA

## A cloud-like destination for supreme slumber.

This handcrafted mattress creates more surface area with its edge-spring Marshall unit system. Unlike traditional innerspring systems, our heat-tempered center and quantum edge springs are individually wrapped pocketed coils, which result in a mattress that

is more responsive to movement with edge-to-edge support. Rest easy with less side-to-side transfer of motion, this collection fits to the contours of the body. A final comfort layer has been redesigned to provide support, comfort and cooling.

### BOX SPRINGS AND PLATFORMS

- ▶ Works universally with all mattress options.
- ▶ Offered in an 8" box spring or a 4" platform.
- ▶ Both feature metal corner guards—instead of industry-standard plastic—for longevity.
- ▶ We recommend the 4" platform for our Eurotop.

### ABOUT OUR MATTRESS MAKER

We took the same care and consideration that we do for all of our products in creating your Retreat mattress program. Working with a family-owned business, here in the United States, each one is handcrafted one-at-a-time. Any leftover pieces of foam or fabric are collected and sent to a company for re-use as carpet backing. It's our way of being sustainable, while keeping our commitment to quality.





**Retreat Plush**  
**Full** 50PLFL  
**King** 50PLKG  
**Queen** 50PLQN  
**Twin** 50PLTW

BOX SPRING & PLATFORM

**Retreat Box Spring Full** 50BXSPFL  
**Retreat Box Spring KG Split** 50BXSPKGSPL  
**Retreat Box Spring QN** 50BXSPQN  
**Retreat Box Spring Twin** 50BXSPTW  
**Retreat Platform Full** 50PLATFL  
**Retreat Platform King Split** 50PLATKGSPL  
**Retreat Platform Queen** 50PLATQN

	PLUSH	FIRM	MEMORY	EURO	BOX SPRING	PLATFORM
<b>TWIN</b>	38" w x 74" d x 12" h	38" w x 75" d x 12" h			38" w x 75" d x 8" h	38" w x 75" d x 4" h
<b>FULL</b>	54" w x 75" d x 12" h	54" w x 75" d x 12" h	54" w x 74" d x 10" h	54" w x 75" d x 13" h	54" w x 75" d x 8" h	54" w x 75" d x 4" h
<b>QUEEN</b>	60" w x 80" d x 12" h	60" w x 80" d x 12" h	60" w x 80" d x 10" h	60" w x 80" d x 13" h	60" w x 80" d x 8" h	60" w x 80" d x 4" h
<b>KING</b>	76" w x 80" d x 12" h	76" w x 80" d x 12" h	76" w x 80" d x 10" h	76" w x 80" d x 13" h	38" w x 80" d x 8" h	38" w x 80" d x 4" h

## product details

- ▶ Available in king, queen, full or twin sizes.
- ▶ The cover is a soft, quilted cotton material.
- ▶ Features 4 inches of 1.5 density foam and 15 ILD rating.
- ▶ Marshall unit coils create edge-to-edge sink-in support. All heat-tempered coils, center and quantum edge, are individually wrapped pocket coils. The center coils are 15 GA and the quantum edge coils are 16 GA.
- ▶ Pair with our 8" box spring or our 4" platform.
- ▶ King features 1136 coils.
- ▶ Queen features 932 coils.

- ▶ Full features 778 coils.
- ▶ Twin features 590 coils.

## recommended care

- ▶ One-sided; does not need to be flipped.
- ▶ Rotating mattress periodically is recommended.
- ▶ Annual vacuuming will extend the life and cleanliness of this mattress.
- ▶ Mattress pads are recommended.

# ARHAUS®

your home

## retreat deluxe motion base



**King**  
80" w x 80" d x 15" h  
50KGMOTBS  
\*King bases are split.



**Queen**  
60" w x 80" d x 15" h  
50QNMOTBS  
\*Queen split bases are available as special order.

### turn your mattress into a luxury retreat.

Designed to accommodate our Retreat Mattress Collection, our Deluxe Motion Bases allow you to adjust the angle and shape of your mattress to match your personal comfort preferences. With the simple touch of a button and a wide range of positions, your bed will be the ideal lounge for reading, watching movies or working on your laptop. With engineered ergonomic support, this sleep system will help you slumber more restfully and help reduce snoring. Plus, our motion base features relaxing massage functionality with Three Wave, one-touch massage settings.

#### product details

- ▶ Features adjustable positioning and three pre-programmed positions with one-touch controls.
- ▶ Includes anti-snore and lower-back-soothing positions.
- ▶ Advanced Lounge feature lowers the leg section to take stress and tension off your lower back.
- ▶ Three Wave Massage functions include soothing vibration and invigorating massage settings.
- ▶ A/C power outlets are built into each side for mobile device chargers and bedside electronics.
- ▶ Wireless remote included. King includes two.
- ▶ Under-bed LED nightlight can be turned on to illuminate the surrounding floor at night.
- ▶ Deck-on-deck construction utilizes a motion deck integrated with a support deck for superior stability.
- ▶ Features gravity-release safety features, battery backup and an easily accessible, extended, control box.
- ▶ Polished steel corner brackets hold your mattress securely in place.
- ▶ Includes adjustable headboard brackets.
- ▶ Designed for use with King or Queen Retreat Mattresses.
- ▶ Compatible with all Arhaus non-platform beds.
- ▶ King bases are split and can operate as a single unit or as two independent halves.
- ▶ For halves of a split base to function independently, they must be used with a split mattress.
- ▶ Queen split bases are also available as special order.
- ▶ Mattresses are sold separately. King and Queen split mattresses are available as special order.
- ▶ Recommended lift capacity: 650 pounds per unit.
- ▶ Split-king and split-queen bases can lift up to 1,300 pounds.
- ▶ 20-year premium limited warranty. (Register at <http://www.bedframes.com/rize/rize-registration>)
- ▶ For additional accessories and customer service call: 1.800.333.8333
- ▶ UL, ETL and Energy Star certified and approved.



retreat deluxe motion base | retreat mattress collection | made in America

Dimensions may vary slightly. Please ensure furnishings fit through interior structures and into desired space before purchase.

# ARHAUS®

your home

## accessories & replacement parts

Stackable 2" Leg Extension	917070EXTEND
Stackable 2" Leg Extension (4 pack)	SKU
4" Leg	SKU
4" Leg with Adjustable Glide	SKU
4" Leg with Caster	SKU
4" Leg with Caster (4 pack)	SKU
6.5" Dark Mahogany Wood Leg (4 pack)	SKU
6.5" Black Leg with Black Plug Glide (4 pack)	SKU
Caster	SKU
Caster (4 pack)	SKU
Velcro Strap for Wood Leg	SKU
Velcro Strap for Metal Leg	SKU
Glide for Adjustable Leg	SKU
Headboard Brackets (2 pack)	SKU
Corner Mattress Retainer Clips (2 pack)	SKU
Wireless Remote	SKU
Hardware/Tool Blister Pack	SKU

# ARHAUS®

your home

## WARRANTY

### 20-YEAR PREMIUM LIMITED WARRANTY FOR ADJUSTABLE BEDS

CUSTOMATIC ADJUSTABLE BEDZ®, (CUSTOMATIC ADJUSTABLE BEDZ®) warrants this adjustable bed to the consumer who is the original purchaser (the “purchaser,” subject to the terms and conditions set forth herein). This warranty begins on the “warranty commencement date,” or the purchase date for new and unused adjustable beds. For adjustable beds that have been used either as floor or display models, the “warranty commencement date” is the date the bed was manufactured. Therefore, a floor or display model bed is covered by a portion of the limited 20-year warranty. The purchaser must show original proof of purchase for warranty to be valid. If proof of purchase is not presented, CUSTOMATIC ADJUSTABLE BEDZ® holds full right to determine whether the adjustable bed is covered by the warranty. In so doing, CUSTOMATIC ADJUSTABLE BEDZ® has the right to use the manufacturing date as the warranty commencement date.

The 20-Year Limited Warranty is extended solely to the original purchaser. This warranty is not transferrable.

#### FULL 3-YEAR WARRANTY (PARTS)

This adjustable bed is warranted against defects in the workmanship or materials for a period of three years from the warranty commencement date. Upon notice during the first three years after the warranty commencement date, CUSTOMATIC ADJUSTABLE BEDZ® will replace any defective adjustable bed part based on the criteria listed below.

#### YEAR 1: FULL COVERAGE OF PARTS & LABOR

This adjustable bed is warranted against workmanship and craftsmanship defects or defective materials for up to one (1) year from the warranty commencement date. When notified by purchaser within the first year, CUSTOMATIC ADJUSTABLE BEDZ® will supply replacements (at no cost to the purchaser) for any defective or malfunctioning adjustable bed part. CUSTOMATIC ADJUSTABLE BEDZ® must authorize that the part is defective or malfunctioning before replacement parts are supplied to purchaser or any labor costs are absorbed. Once CUSTOMATIC ADJUSTABLE BEDZ® approves the part is defective or malfunctioning, they will absorb the costs for pre-authorized labor and any transportation costs associated with the repair/replacement of any parts. For this one (1) year warranty to be valid, any and all defective or malfunctioning parts must be returned by the original purchaser (or by an authorized CUSTOMATIC ADJUSTABLE BEDZ® in-home technician or agent) to CUSTOMATIC ADJUSTABLE BEDZ®'s Customer Care Center within 15 days of purchaser receiving replacement parts.

#### YEARS 2 AND 3: FULL COVERAGE OF PARTS ONLY.

After the first year from the warranty commencement date, and up to three (3) years from the warranty commencement date, CUSTOMATIC ADJUSTABLE BEDZ® will provide replacement parts for any defective or malfunctioning adjustable bed part upon receiving written notice from the original purchaser. This two (2) year warranty is only valid once any and all defective or malfunctioning parts are returned by the original purchaser to CUSTOMATIC ADJUSTABLE BEDZ®'s Customer Care Center within 15 days of purchaser receiving replacement parts. The original purchaser is responsible for all service, transportation, labor and shipping & handling costs related to the delivery and/or replacement of the defective or malfunctioning part(s).

#### YEARS 4 THROUGH 20: PRORATED COVERAGE OF NON ELECTRICAL PARTS ONLY.

After the third year of the warranty commencement date, and up to twenty (20) years from the warranty commencement date, CUSTOMATIC ADJUSTABLE BEDZ® will issue replacements (upon terms and conditions described below) for any mechanical bed part found to be defective or malfunctioning upon receiving written notice from the original purchaser. This does not apply to electronics, electrical components, massage motors and lift motors. Purchaser will be required to pay 1/17th of the (then) current replacement cost of the part multiplied by the number of years past the third year from the warranty commencement date. CUSTOMATIC ADJUSTABLE BEDZ® will take responsibility for the remaining cost of the replacement part. This seventeen (17) year warranty is only valid once any and all defective or malfunctioning parts are returned by the original purchaser to CUSTOMATIC ADJUSTABLE BEDZ®'s Customer Care Center within 15 days of purchaser receiving replacement parts. Purchaser holds responsibility for all labor and transportation costs related to the replacement of the defective part up to twenty (20) years after the commencement date. After the twentieth year, purchaser will be responsible for the entire cost of repair and replacement of all defective parts and materials, including service and transportation costs associated with the repair or part replacement.

#### ADDITIONAL TERMS AND CONDITIONS

This warranty is considered void: 1) if any damage to the adjustable bed is caused by the purchaser; 2) if any unauthorized repair or replacement of parts has taken place; 3) if the adjustable bed has been handled incorrectly in transit or otherwise, subjected to physical or electrical abuse or misuse, or otherwise operated in a way that does not adhere to the guidelines for proper operation and maintenance outlined in the Owner's Manual, this warranty, and any other applicable text published or approved by CUSTOMATIC ADJUSTABLE BEDZ®; 4) in relation to any damage to mattresses, fabric, cables, electrical cords or items supplied by dealers. Contact the dealer or relevant party for warranty information on these items; 5) if any unnecessary service calls have taken place, including fees for in-home service calls solely for the consumer's educational purposes or for finding an unsatisfactory power connection; 6) if the recommended weight restrictions (Twin/TXL/Split QN/Split CA King: 575 Pounds, Full/FXL: 600 Pounds, Queen: 650 Pounds) and guidelines for proper distribution of weight outlined in the Owner's Manual are not followed. Repairs to or replacement of the adjustable bed or its components under the terms of this limited warranty will apply to the original warranty period and will not serve to extend such period. The decision for the repair or replacement of defective parts under this warranty is at the option and sole discretion of CUSTOMATIC ADJUSTABLE BEDZ®.

REPAIR OR REPLACEMENT OF ADJUSTABLE BED PARTS WILL BE THE SOLE REMEDY OF THE PURCHASER. CUSTOMATIC ADJUSTABLE BEDZ®, AND THEIR PARENTS, SUBSIDIARIES, DIVISIONS, AFFILIATES OR AGENTS HOLD ABSOLUTELY NO OR ANY SPECIAL, INDIRECT, INCIDENTAL, OR CONSEQUENTIAL DAMAGES OR FOR ANY OTHER DAMAGE, CLAIM, OR LOSS NOT EXPRESSLY COVERED BY THE TERMS OF THIS WARRANTY.

No reimbursement will be made to the purchaser for inconvenience, removal, installation, setup time, lack of use, shipping, or any other costs or expenses not covered by this warranty. CUSTOMATIC ADJUSTABLE BEDZ® does not hold responsibility for in-home service on adjustable beds. You must contact your dealer or party that sold the adjustable bed for any terms and conditions relating to their in-home service, should any exist.

CUSTOMATIC ADJUSTABLE BEDZ®, AND THEIR PARENTS, SUBSIDIARIES, DIVISIONS, AFFILIATES OR AGENTS MAKE NO OTHER WARRANTY WHATSOEVER, EXPRESS OR IMPLIED. ALL IMPLIED WARRANTIES OF MERCHANTABILITY AND FITNESS FOR A PARTICULAR PURPOSE ARE DISCLAIMED BY NAME AND EXCLUDED FROM THIS AGREEMENT.

The above limitation or exclusion may not apply to every purchaser as some states disallow exclusions or limitations of incidental or consequential damages. This warranty allows the purchaser specific legal rights. The purchaser may also have other rights, which can vary from state to state. This warranty is valid in the contiguous United States, and includes Alaska, Puerto Rico and Canada.

# ARHAUS®

your home

TO ACTIVATE YOUR WARRANTY, YOU MUST REGISTER YOUR PRODUCT UPON DELIVERY USING THE FORM BELOW OR BY VISITING:

[HTTP://WWW.BEDFRAMES.COM/RIZE/RIZE-REGISTRATION](http://www.bedframes.com/rize/rize-registration)

For additional accessories and customer service, please call 1.800.333.8333

## WARRANTY REGISTRATION FORM

NAME \_\_\_\_\_

PHONE \_\_\_\_\_

ADDRESS \_\_\_\_\_

ADDRESS \_\_\_\_\_

CITY \_\_\_\_\_

STATE \_\_\_\_\_ ZIP \_\_\_\_\_

EMAIL \_\_\_\_\_

STORE WHERE PURCHASED \_\_\_\_\_

BED SERIAL NO. \_\_\_\_\_

INVOICE NO. \_\_\_\_\_

### SURVEY

GENDER:       M                       F

AGE:               18-30               31-40  
                       41-50               51-60  
                       61-70               71 & UP

REASON FOR PURCHASING AN ADJUSTABLE BED:

HEALTH               COMFORT               OTHER

HOW DID YOU FIND OUT ABOUT CUSTOMATIC BEDZ:

ADVERTISING     A FRIEND     STORE

ARTICLE/REVIEW     INTERNET     OTHER

### PLEASE MAIL TO:

CUSTOMATIC ADJUSTABLE BEDZ®  
CUSTOMER CARE CENTER  
PO. BOX 10909  
RIVIERA BEACH, FL 33419 USA



## **OWNER'S MANUAL**



# *The **VERGE** Adjustable Bed Frame*

Model Number: RI-AGU-A25-WWMI-US-L-U-SRB-107

This product and all our bedding products are covered by one or more of the following issued and pending U.S. patents including Nos. 7448100, D657157, D663542, D657158, D657156, 8209801, 8209800, D663544, D663543 and other patents pending.  
Not responsible for typographical errors. Photos are for illustration purposes only.

Serial Number: \_\_\_\_\_  
(Place your serial number here for ready reference.)

COPYRIGHT® 2017 CUSTOMATIC ADJUSTABLE BEDZ

# *Table of Contents*

Safety Precautions.....	1
Parts List.....	3
Installation Guide.....	4
Hand Control Operation Guide .....	6
Synchronize Installation Guide .....	8
Troubleshooting .....	9
Warranty & Registration .....	11

Model Number: RI-AGU-A25-WWM1-US-L-U-SRB-107



# Safety Precautions

## **ATTENTION!**

**IMPORTANT SAFETY INSTRUCTIONS.**

**PLEASE READ THESE INSTRUCTIONS THOROUGHLY BEFORE USING THIS PRODUCT.**



**WARNING**

### **ELECTRICAL SAFETY**

Always unplug this adjustable bed frame from the electrical outlet before any cleaning or maintenance of the bed frame. To safely disconnect, make sure all controls are in the off position, then remove the plug from the outlet.

Keep cord away from heated surfaces. Keep air openings free of lint, hair and the like - never operate when air openings are blocked. Never drop or insert any object into any opening. Use only indoors.

Cease use of this bed frame and contact the Adjustable Bed base center for repair if: (1) it has a damaged cord or plug, (2) it is not working properly, (3) it has been dropped or damaged, or (4) it has been dropped into water.

### **GROUNDING SAFETY**

To reduce the risk of electric shock, electrical fire, or faulty operation of this product, your Adjustable Bed features a polarized plug meant to be used only with a grounded electrical outlet. If this plug does not fit into your outlet, contact a qualified electrician to install a properly grounded outlet. Failure to use a properly grounded outlet for this product will compromise this important grounding safety feature. The use of adapters is not recommended unless the outlet is checked by a qualified electrician to ensure the proper grounding of the adapter. Please note: Unauthorized modifications to this product could void the electrical portion of your warranty.

### **WARRANTY WARNING!**

This bed is specifically designed to require no maintenance by you, the user. Any opening or tampering with the control box, motors or hand controls (with the exception of the battery compartment if equipped) will result in a void of the warranty. Only those authorized may conduct repairs or part replacement on your adjustable bed.



**FOR OPTIMAL SAFETY, YOUR ADJUSTABLE BED SHOULD BE PLUGGED INTO A SURGE PROTECTOR**

(not supplied with this Adjustable Bed).

### **IN-HOME USE ONLY**

This Adjustable Bed is designed exclusively for in-home use.

**HOSPITAL DISCLAIMER:** It is **NOT** designed for hospital use and is **NOT** designed to meet hospital standards. Do not use this bed with **TENT TYPE** oxygen therapy equipment or use near explosive gases.

### **IMPORTANT SAFETY FEATURES**

Weight fail safe feature: In the case that an overload of weight is placed on the head or foot mechanism, the control unit will automatically stop all functions. The control unit will automatically resume all functions 30 seconds after excess weight is removed.

### **WEIGHT RESTRICTIONS**

The recommended weight limits on our adjustable beds are:

Twin/TXL/Split QN/Split CA King: 700 pounds, King/CA King/QN/Full/FXL: 850 pounds



# Safety Precautions-cont'd



## IMPORTANT SAFETY FEATURES cont'd

Locking caster feature: This Adjustable Bed may be equipped with special locking casters. For your safety, these casters will prevent bed movement when all casters are in the locked position. To lock casters, push down the safety latch on the caster. To resume product mobility, lift the safety latch up.

**Please note: If your Adjustable Bed is positioned on a hard floor surface such as hardwood or tile, it is strongly recommended that rubber caster cups or carpet squares are placed under the casters in addition to locking them in place. Casters will not roll when locked, but may slide on an uncarpeted surface.**

## RADIO FREQUENCY IS 433.92 MHZ.

FCC compliance device complies with part 15 of the FCC Rules. Operation is subject to the following two conditions: (1) This device may not cause harmful interference, and (2) this device must accept any interference received, including interference that may cause undesired operation.

Any change to the antenna or the device could result in the device exceeding the RF exposure requirements and void user's right to operate the device.



**WARNING**

## CONSUMERS WITH PACEMAKERS

It is possible that the (optional) vibrating feature of this bed may be misinterpreted by some pacemakers as movement and/or exercise. This is common with any product that produces a vibrating motion, and may or may not affect your pacemaker. Please consult your physician with any concerns.

## PRODUCT RATINGS

Lift Motor Restrictions: The lift motors in this bed are NOT designed to operate continuously for more than three (3) minutes over a thirty (30) minute time period, or approximately 10% duty cycle. To ensure reliable functionality and full life of this product, do not attempt to exceed these limits.

**NOTE:** Attempting to circumvent or exceed this rating will shorten the life expectancy of the product and may void the warranty.

The structure of the bed will support the recommended weight when distributed evenly across the bed. **The head and foot sections are not designed to individually support or lift this amount of weight.** For optimal performance, entering and exiting the adjustable bed with the bed in the flat or level position is recommended.

**NOTE:** Exceeding the recommended weight restrictions could damage your adjustable bed and void your warranty.



**WARNING**

## SMALL CHILDREN AND PETS WARNING

Immediately dispose of all packing materials as it can pose a smother risk to small children and pets. Injury could occur also if children or pets are permitted to play on or under the bed. Do not allow children to operate this bed without adult supervision.

## **SAVE THESE INSTRUCTIONS!**

*Proper operation of your Adjustable Bed is necessary to ensure the long life and durability you expect from a high-quality product. The manufacturer has tested and inspected this product prior to shipment.*

# Parts List

**NOTE:** Before discarding any packing materials, check the adjustable bed frame carton and verify all items in the parts list are included:



A. Remote Control (1)



B. Quick Slide Mattress Retainer (1)



C. Head Bed Leg (2)



D. Lounger Bed Leg (2)



E. Bed Leg Attachment for Lounger Leg (2)



F. Spring Washer (2)



G. Knob Screw (2)



H. Middle Leg (2)\*



I. 5/16" Nut (2)\*\*



J. Wrench (1)\*\*



K. Retainer Bolt (2)\*\*



L. Velcro Leg Strap (1) \*



M. AAA Batteries (3)

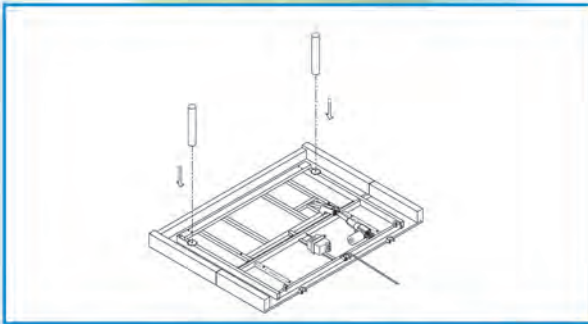
\* Only in TXL, SCK, and SQ models

\*\* Available for K & CK Model Sizes

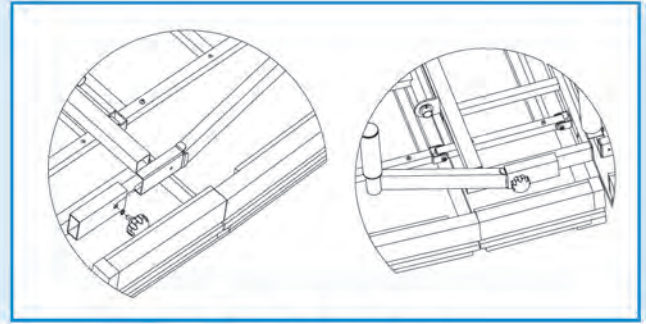
# Installation Guide

**STEP 1.** For safety reasons, the following should be performed by 2 people. Carefully lift the bed frame unit out of the shipping carton with the top side facing downward.

**STEP 2.** For this step, you will need: bed legs and attachments (C, D and E), spring washers (F), and knob screws (G), which can be found in the accessories box. First, twist the head bed legs (C) in a clockwise direction into the threaded holes in the frame. Next, thread the bed leg at-attachments for the lounge legs (E) into the pre-drilled hole on each lounge bed leg (D). Thread each lounge bed leg (D) into the C-channel frame. Make sure the leg opening is facing inside the frame. Then, insert a knob screw (G) fitted with a spring washer (F) into the predrilled hole in the C-channel frame and through the lounge bed leg. Hand tighten the knob screw in place. Repeat with the remaining lounge bed leg.



Head Section

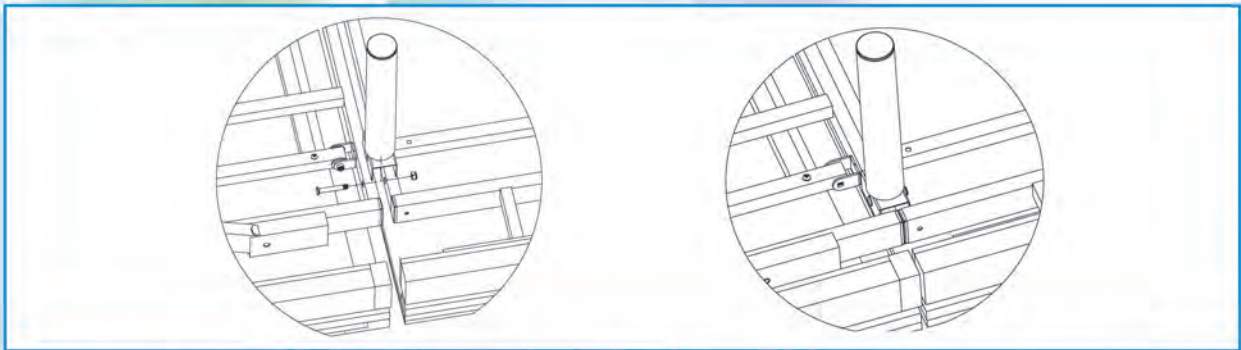


Foot Section

**TIGHTEN THE LEGS SECURELY TO THE FRAME. DO NOT OVERTIGHTEN THE BED LEGS.**

*If the Verge Adjustable Base is not a King or a California King in size, please skip ahead to step 5 below.*

**STEP 3.** In order to install the middle legs (H), move the head and foot sections of the adjustable base together, lining up the predrilled slotted holes of the frame. Next, insert a retainer bolt (K) fitted with a 5/16" washer (I) into the predrilled slotted holes through the round holes on the C bracket of the middle leg. Tighten 5/16" washer (I) using provided wrench (J) to ensure stable assembly.



**STEP 4.** Insert the foot motor's red plug into the control box. Please refer to Figure A.

**STEP 5.** Remove and extend the power cord from the frame.

**Important!** MAKE SURE POWER CORDS DO NOT OBSTRUCT ANY ADJUSTABLE BED MECHANISMS.

**NOTE:** For optimal safety, a surge protector should be used (not supplied with this Adjustable Bed).

**STEP 6.** Take plastic wrapping off the base frame.

**STEP 7.** Carefully rotate the base frame over so the top side is facing upward. Be careful not to rest the frame on its side. The weight may damage the legs.

**STEP 8.** Plug the power cord into a grounded electrical outlet.

**STEP 9.** Install batteries in hand unit. If the hand unit is a wired unit, no batteries are needed.

Try all functions on the hand control to ensure all features are operational.

*If the bed does not work, refer to Troubleshooting on page 9.*

**STEP 10.** Return bed to flat or level position.



Figure A

# Installation Guide

## IMPORTANT NOTES:

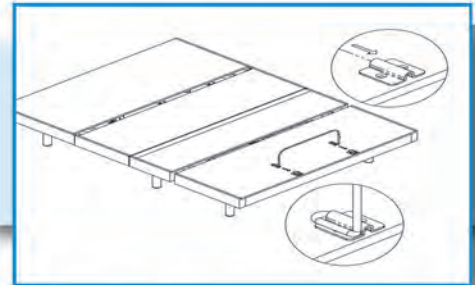
Failure to follow the installation steps as they appear in this guide could result in damage to your adjustable bed frame. Make sure to position the bottom of the headboard cross member no more than 3 inches (76.2 mm) between the headboard and the top of the mattress.

This model does not include a headboard bracket kit. Headboard bracket kit can be purchased separately by contacting your authorized retailer.

## STEP 11. Attaching the "Quick-Slide" Mattress Retainer Bracket

Fasten the "Quick-Slide" mattress retainer bracket (B) to the foot of the bed base using the "Quick-Slide" Slide method illustrated below. (No tools or screws are required)

Simply position the open ends of the Retainer Bracket directly aligned with the "Loop" Retainer Anchors already installed to the foot of the base surface. Slide the Retainer Bracket forward allowing the open ends to glide into the loop.



*If A Headboard Is To Be Installed, Proceed to Step 12 or Step 13*

## STEP 12. Assemble the Headboard Bracket

**i.** For safety reasons, the following should be performed by 2 people. Carefully flip the bed frame unit over with the topside facing downward.

**ii.** Unthread leg at the head of the bed frame by twisting the leg counter-clockwise.

**iii.** Slide the inner headboard bracket over the hole for the leg attachment. (The bracket opening should face away from the bed frame). Screw the leg back in, turning clockwise. This will secure the inner headboard bracket between the bed frame and the leg.

**iv.** Place the open side of the outer headboard bracket onto the exposed square tube of the inner headboard bracket to create a tight fit. Insert a retainer bolt fitted with a 5/16 inch washer into the outer headboard bracket and through the inner headboard bracket. Tighten the 5/16 inch washer and 5/16 inch nut with an Allen key wrench. Leave loosen enough for adjusting.

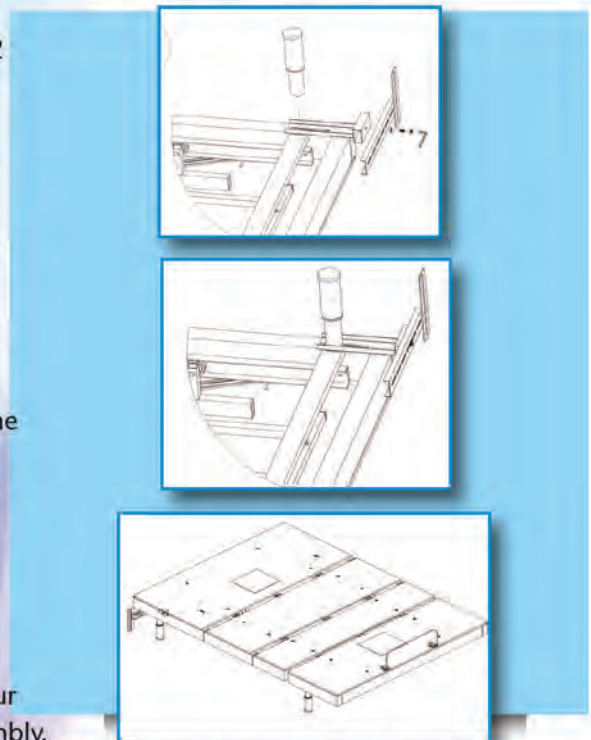
**v.** Repeat steps ii – iv on the other side.

**vi.** Securely fasten the headboard bolts (not included with your adjustable bed frame) to the end of the headboard bracket assembly.

**vii.** Measure the distance from the center of one mounting hole in the headboard assembly to the center of the other.

**viii.** If you need to adjust the headboard brackets, unscrew the bolts holding the outer headboard bracket and move them the necessary distance. Reinstall the bolts and securely tighten.

**STEP 13.** Place your mattress on the adjustable bed frame surface. Your adjustable bed and headboard installation is now complete. If the bed comes with a programming option, turn to the Wireless Hand Control Operation Guide to proceed.



## Velcro Leg Straps\* (Optional: To avoid Base Separation)



To help prevent separation when using King Size (2 TXL) California King Size (2 SCK) or split Queen Size (2 SQ).

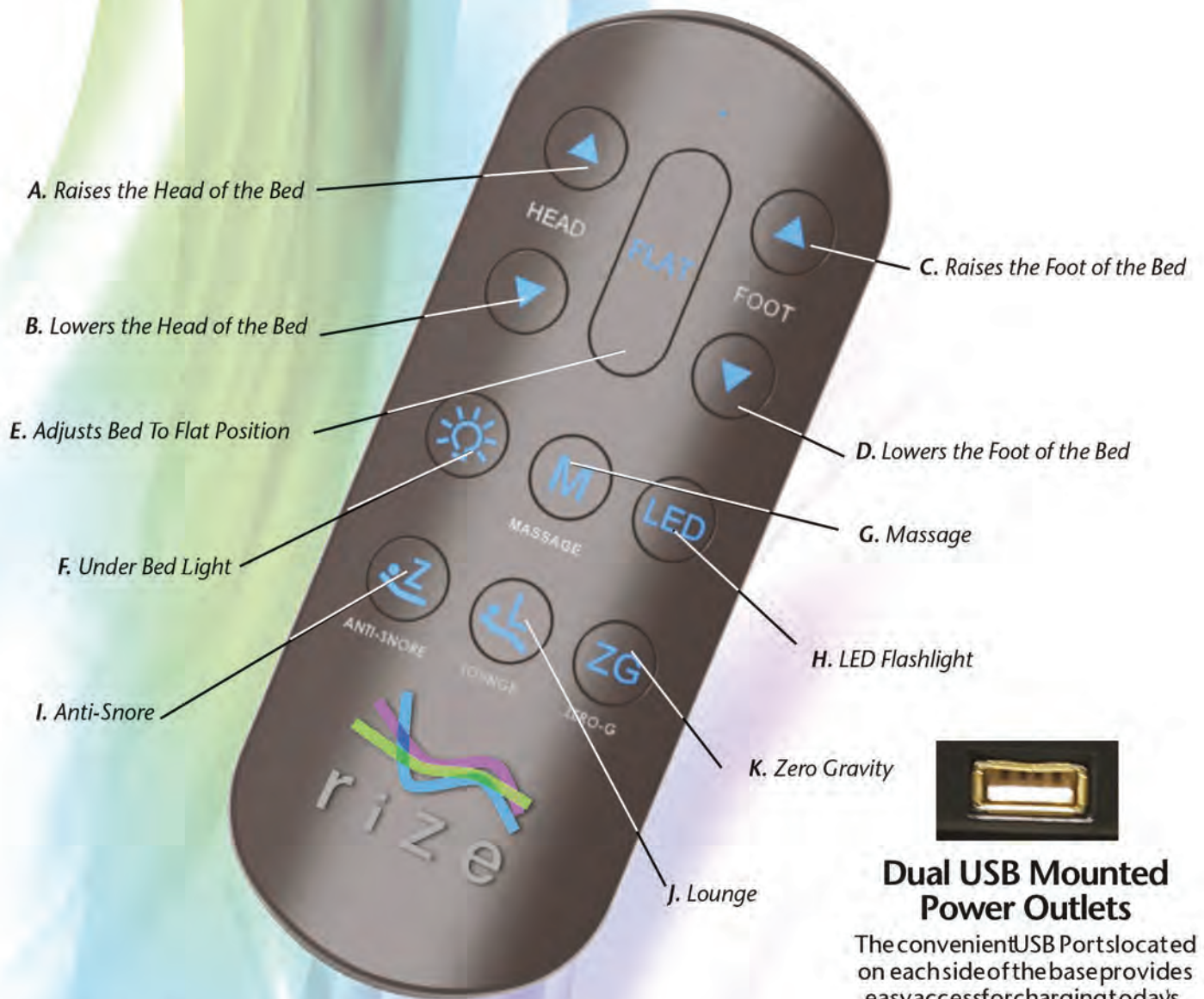
Please use the enclosed Velcro Straps.

1. Simply wrap the legs together (Front & Back) tightly using the velcro straps.

2. Fastening the straps will help prevent movement & maintain stability.

\* Only included with TXL, SCK, and SQ models.

# Wireless Hand Remote Operation



## Head and Foot Position Adjustments (A, B, C, D)

- Press & Release button to raise or lower the head and foot sections of your adjustable bed.

## Bed "Flat" Button (E)

- Press down and hold for 2 seconds to return bed to the flat position.

## Under Bed Light (F)

- Press the button to turn on or off the under bed light.

## Massage (G)

- Press to activate massage. Press Massage button a second time to increase the intensity. Press the Massage button a third time to increase the intensity to the maximum limit. Press the massage button a fourth time or keep holding the massage button to stop massage.

**FOR YOUR SAFETY, READ THE OWNER'S MANUAL CAREFULLY AND COMPLETELY BEFORE OPERATING THIS PRODUCT. ELECTRIC SHOCK MAY OCCUR IF ELECTRICAL COMPONENTS ARE NOT INSTALLED OR OPERATED ACCORDING TO THESE GUIDELINES.**

# Wireless Hand Remote Operation *Continued*

## LED Flashlight (H)

- Press the button to turn on or off the flashlight on your remote.

## Anti-Snore Relief (I)

- Press to gently raise head section to allow easier air intake which can help reduce snoring.

## Lounge (J)

- Press to lower your legs and raise your head to relax in a lounge position.

## Zero Gravity (K)

- This function allows your legs to be lifted to a position slightly higher than the chest. This allows blood to flow back to the heart, reducing stress and fatigue.

## Remote Features

- The Wireless Adjustable Bed uses a RF (Radio Frequency) hand control system.

**NOTE:** *If the massage motors are operating and the "FLAT" button (E) is pressed, the massage motors will stop operating during the lowering of the bed frame.*

- When pressed, the buttons are backlit, to aid in the visibility of the remote in low light environments.
- It is not necessary to face the bed to operate the remote control. Remote signal is best transmitted within 9 feet (3 meters) of the bed.

**NOTE:** *This bed may show minor intermittent performance because of typical RF interference. This is normal in the operation of the bed, not a defect.*

## Safety

- In the case that an overload of weight is placed on the head or foot mechanism, the control unit will automatically stop all functions. The control unit will automatically resume all functions 30 seconds after excess weight is removed.
- Massage motors will automatically shut off after running continuously for 15 minutes. All massage functions will be operational again after 5 minutes. Automatic Shut Off will occur after 15 minutes of continuous use.

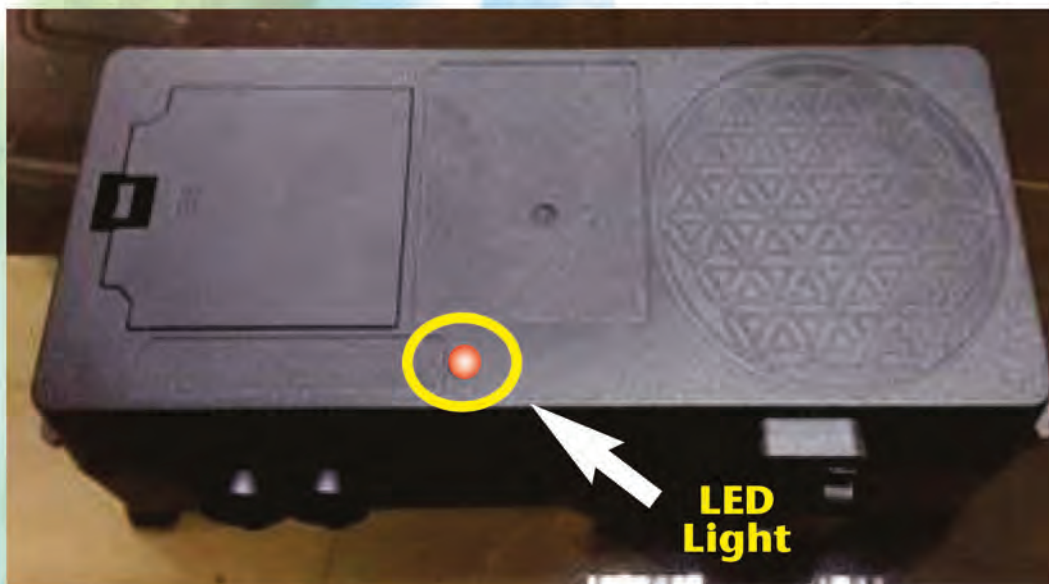
**Notice:** The changes or modifications not expressly approved by the party responsible for compliance could void the user's authority to operate the equipment.

**Important Note:** To comply with the FCC RF exposure compliance requirements, no change to the antenna or the device is permitted. Any change to the antenna or the device could result in the device exceeding the RF exposure requirements and void user's authority to operate the device.

THIS DEVICE COMPLIES WITH PART 15 OF THE FCC RULES. OPERATION IS SUBJECT TO THE FOLLOWING TWO CONDITIONS: (1) THIS DEVICE MAY NOT CAUSE HARMFUL INTERFERENCE AND (2) THIS DEVICE MUST ACCEPT ANY INTERFERENCE RECEIVED, INCLUDING INTERFERENCE THAT MAY CAUSE UNDESIRE OPERATION.

# Pairing Guide to Synchronize Two Beds

Your adjustable base is pre-programmed to your remote. However, to operate two adjustable bases together, you must pair both to one remote. Make sure your first adjustable base (Base A) is plugged in before focusing on your second adjustable base (Base B). Please follow the steps below to complete the pairing:



**Step 1** - Plug in Base B to an AC power outlet (surge protector is recommended). Once plugged in, the LED light on the control box will blink three times, which indicates the control box has entered Learning Mode. Learning Mode lasts seven seconds.



**Step 2** - During Learning Mode, use Remote A to press the "Under Bed Light" and "Head Up" keys together for three seconds.

**Step 3** - The LED light on the control box will light up and remain on, which means the pairing is successful.

Now Base A & B will function with Remote A and the pairing of the two adjustable bases is complete.

## ***To Reset Your Pre-Programmed Remote:***

**Step 1** - Unplug the AC power.

**Step 2** - Press and hold the FLAT button (without release) to continue sending signal.

**Step 3** - Plug in the AC power and wait for 7 seconds, then release the FLAT button. (Please Note: The control box must receive FLAT signal from the remote for at least 5 seconds after the AC power is plugged back in).

**Step 4** - The reset is complete.

# Troubleshooting

In the event the adjustable bed fails to operate, investigate the symptoms and possible solutions provided in the chart below:

## SYMPTOM

## SOLUTION

### Adjustable Base Does Not Operate

1. Is the power cord plugged into a working and grounded electrical outlet?
2. Check the remote to see if it is lighting up.
3. Check the light on the control box is on.
4. Disconnect the adjustable base from electrical socket.
5. Keep unplugged for one minute.
6. Plug back into electricity (NOTE: surge protector is recommended).
7. Wait one minute.
8. Press any button on the remote and hold until light on the remote illuminates.
9. Wait several seconds.
10. Adjustable base should be working.
11. Still not operating? Re-program the remote.

### The Remote Does Not Work/Light Up

1. Remove batteries.
2. Leave the batteries out for 30 minutes.
3. Scratch terminals of the inside of the remote with a coin or key.
4. Put fresh batteries inside the remote.
5. Remote should light up.

### The Adjustable Base Is Squeaking

1. Remove nuts, bolts, and white bushings.
2. Lubricate them by applying the grease with a Q-tip (Lubrication can be obtained by contacting Customatic's Customer Care Center).
3. When placing lubricated nuts, bolts, and white bushings back onto the adjustable base, make sure that there is a looser tightening on the nut.
4. Additional Solution: After completing these steps, spray the nuts, bolts, and white bushings with a lubricant (WD-40).

### The Adjustable Base Stutters While in Motion

1. Clear any clutter or obstructions under and around the adjustable base. Radio frequency interference from other remotes or electronic devices may affect normal operation.
2. Check batteries in remote and replace if necessary.
3. Assure the keys on remote are being pressed firmly down to have the base operate.



# Troubleshooting *Continued*

In the event the adjustable bed fails to operate, investigate the symptoms and possible solutions provided in the chart below:

## SYMPTOM

## SOLUTION

### Underbed Lighting Is Alternating

1. Unplug the base where the light is not working.
2. Turn the underbed lighting of fusing remote.
3. Plug base back into electricity.
4. Wait one minute.
5. Press any button on the remote.
6. Wait 3 seconds.
7. Lights should be working together.

### Massage Motors seem excessively Loud during operation.

1. Hard surface flooring may cause added vibration. To correct, place carpet pieces or rubber Furniture Cups under each leg or caster of the bed.
2. Elevate the head or foot section a short distance (with the hand control) to realign the lift/lower mechanisms with the bed support platform.
3. Check that the bed is not in direct contact with a wall, nightstand, or other object that may cause vibration or noise.
4. If Adjustable Bed is installed on top of a bed frame, check that the massage motors are not causing bed frame (or bed frame components) to vibrate or rattle.
5. Check that the headboard attachment hardware is tightened firmly (if used).

**IF YOU EXPERIENCE ANY TROUBLE WITH YOUR BED FRAME WITHIN THE WARRANTY PERIOD, PLEASE CONSULT THE TROUBLESHOOTING GUIDE PROVIDED WITH YOUR FRAME AND ONLINE (IF APPLICABLE). IF PROBLEMS PERSIST, PLEASE CALL:**

**CUSTOMER SERVICE TOLL FREE NUMBER  
1-843-800-8372**

Please Have Your Receipt Ready And Available

**THANK YOU AND ENJOY YOUR ADJUSTABLE BED FRAME!**

# WARRANTY

## 5-Year Limited Warranty For Adjustable Bed Frames

PPJ, LLC (“CUSTOMATIC”) WARRANTS THAT IT WILL, AT CUSTOMATIC’S OPTION, REPLACE OR REPAIR PURCHASER’S CUSTOMATIC™ SYSTEM IF IT IS DEFECTIVE DUE TO FAULTY WORKMANSHIP OR MATERIALS, SUBJECT TO THE LIMITATIONS DESCRIBED IN THIS WARRANTY. CUSTOMATIC UNDERTAKES NO RESPONSIBILITY FOR THE QUALITY OF THE GOODS EXCEPT AS OTHERWISE PROVIDED IN THIS CONTRACT. THERE ARE NO WARRANTIES THAT EXTEND BEYOND THE DESCRIPTION ON THE FACE THEREOF.

THIS WARRANTY APPLIES ONLY TO THE MODELS OF THE CUSTOMATIC® CUSTOMATIC™ SYSTEM LINE. THESE MODELS MAY BE IDENTIFIED BY REFERENCE TO THE SERIAL NUMBER ON THE PRODUCT

### YEARS 1 THROUGH 5: FULL COVERAGE OF PARTS AND LABOR

CUSTOMATIC models are warranted against defects in the workmanship or materials for a period of five (5) years from the warranty commencement date. During these first five years of the warranty, the entire product is so covered, including factory supplied electronics, electrical components, drive motors, Wi-Fi module, power supply and power supply cords, and massage motors. Upon notice during the first through fifth year from the warranty commencement date, CUSTOMATIC will send replacement parts to the Purchaser, at no cost, in order to replace any such defective part. In addition, CUSTOMATIC will pay all authorized labor and transportation costs associated with the repair or replacement of any parts which CUSTOMATIC determines to be defective. This five (5) year warranty shall not apply if the Purchaser does not return any and all defective parts to CUSTOMATIC within 15 days of Purchaser’s receipt of such replacement parts furnished. Return of the frame, however, should it need to be replaced, may be required.

In no instance will this warranty cover any damage attributable to misuse or to normal wear and tear or to excessive weight placed upon the product. Nor will this warranty cover any purchaser other than the original purchaser nor will it cover product purchased from an unauthorized third party. If you are not the original purchaser of this product, you take “as is” and “with all faults.” Purchases of “Floor Models” are regarded “as is” products & subject to the terms thereof. If you did not purchase this CUSTOMATIC™ System directly from CUSTOMATIC or any of its approved authorized distributor/retailer dealers, we will require proof of purchase from you demonstrating that you are the original purchaser and are eligible to make a valid claim under this Warranty.

### FRAME ONLY—LIFETIME WARRANTY

Notwithstanding the above, CUSTOMATIC extends a LIFETIME WARRANTY on the frame itself used in this product. Specifically, CUSTOMATIC warrants that for a full 20 years, the estimated life of the frame, any defect in the workmanship or the materials used in the frame itself shall be covered. The 20-year time span will be dated from the commencement of this warranty. For purposes of this Lifetime Warranty, the frame consists of the metal structure of the base and specifically excludes its cover, its side rails, decking and legs, actuator lift motors, massage motors, control box, remote controls, Wi-Fi modules, power supply, and any power supply cords. Return of the frame should it need to be replaced, is not required.

### ADDITIONAL TERMS AND CONDITIONS

In no instance will this warranty cover any damage attributable to misuse or to normal wear and tear or to excessive weight placed upon the product. Nor will this warranty cover any purchaser other than the original purchaser nor will it cover product purchased from an unauthorized third party. If you are not the original purchaser of this product, you take “as is” and “with all faults.” If you did not purchase this CUSTOMATIC® System directly from CUSTOMATIC or an Authorized Dealer, we will require proof of purchase from you demonstrating that you are the original purchaser and eligible to make a valid claim under this Warranty.

This warranty does not include coverage for damage caused by the Purchaser or by other users, if the product has been used in a manner inconsistent with the operation and maintenance procedures outlined in the Owner’s Manual, this Warranty, or any other applicable document published or approved by CUSTOMATIC.

Nor does it include coverage if the product has been repaired or modified by the Purchaser or by an unauthorized third party or if the product has been damaged in transit.

This warranty does not apply to damage to mattresses, fabric, cables, electrical cords or items supplied by Resellers, as defined below. Contact the Reseller or other appropriate party for warranty information on these items. Nor does this warranty apply to any unnecessary service calls, including costs for in-home service calls solely for the purpose of educating the consumer about the unit or finding an unsatisfactory power connection. In addition, if the recommended weight restrictions are not followed (Twin, Twin Long, Double, Queen, Split/Dual Queen, and Split/Dual CA King bases – up to 850 lbs. each.), this warranty is void.

Replacement parts may be new or reconditioned at CUSTOMATIC’s discretion.

Except for the Lifetime Warranty provided for the frame of this product, there is no warranty at all after five years, dating from commencement of this Limited Warranty.

### Additional Limitations on Warranty Coverage

In the event a warranty claim is filed and a warranty replacement is deemed necessary, Purchaser will be required to surrender the original product, including any components, to CUSTOMATIC at the time of the replacement. Return of the frame, however, should it need to be replaced, may be required.

# WARRANTY

Repairs to or replacement of the CUSTOMATIC® System or its components under the terms of this Limited Warranty will apply to the original warranty period and will not serve to extend such period. This warranty begins on the "warranty commencement date" which is the date of purchase for new unused products.



If you did not purchase this CUSTOMATIC™ System directly from CUSTOMATIC or an Authorized Dealer, proof of purchase will be required to demonstrate that you are the original purchaser and eligible to make a valid claim under this Warranty. If original proof of purchase is not provided by the Purchaser, CUSTOMATIC reserves the right to determine if the unit is covered, or is not covered, by this warranty and may use the manufacturing date as the warranty commencement date.

The decision to repair or to replace defective parts under this Limited Warranty shall be made by CUSTOMATIC at its option and at its sole discretion. Except for the Lifetime Warranty provided for the frame of this product, there is no warranty at all after five years, dating from commencement of this Limited Warranty.

CUSTOMATIC SHALL NOT BE LIABLE FOR INCIDENTAL OR CONSEQUENTIAL DAMAGES RESULTING FROM THE USE OF THIS PRODUCT OR ARISING OUT OF ANY BREACH OF THIS WARRANTY. THE EXCLUSIVE REMEDY FOR BREACH OF THIS WARRANTY SHALL BE REPLACEMENT OR CREDIT TOWARDS REPLACEMENT AS SET FORTH HEREIN. THERE ARE NO EXPRESS OR IMPLIED WARRANTIES, INCLUDING IMPLIED WARRANTIES OF MERCHANTABILITY AND FITNESS FOR A PARTICULAR PURPOSE, OTHER THAN THE WARRANTY DESCRIBED ON THE FACE OF THIS LIMITED WARRANTY.

Some states do not allow the exclusion or limitation of incidental or consequential damages, so the above limitation or exclusion may not apply to every purchaser. This warranty gives the Purchaser specific legal rights, and the purchaser may also have other legal rights, which may vary from state to state. This warranty is valid in all 50 states, Puerto Rico, and Canada.

If you, the Purchaser, experience any problem with your CUSTOMATIC™ System during the warranty period, please consult the troubleshooting section of your Owner's Manual. If problem persists, please contact CUSTOMATIC's Customer Service Department by calling the telephone number located in your manual.

 <h2>WARRANTY REGISTRATION FORM</h2>	
r i z e by  CUSTOMATIC®	
Name _____	<b>SURVEY</b> Gender:    ___ M ___ F Age:    ___ 20-30 ___ 31-40 ___ 41-50 ___ 51-60 ___ 61-70 ___ 71 & up Reason for purchasing an adjustable bed: ___ Health ___ Comfort ___ Other How did you find out about CUSTOMATIC Bedz: ___ Advertising ___ A friend ___ Store ___ Article/Review ___ Internet ___ Other
Phone _____	
Address _____	
Address _____	
City _____	
State _____ Zip _____	
Email _____	
Store where purchased _____	
Bed Serial No. _____	
Bed Model No. _____	
Invoice No. _____	
	<b>PLEASE MAIL TO:</b> CUSTOMATIC Customer Care Center 550 Crescent Blvd., Gloucester City, NJ 08030

Visit [www.rizebeds.com](http://www.rizebeds.com) to complete your Rize Warranty Registration online.

r i z e

*The*  
**VERGE**  
*Adjustable Bed Frame*



**IF YOU EXPERIENCE ANY TROUBLE WITH YOUR BED FRAME WITHIN THE WARRANTY PERIOD,  
PLEASE CONSULT THE TROUBLESHOOTING GUIDE PROVIDED WITH YOUR FRAME  
AND ONLINE (IF APPLICABLE). IF PROBLEMS PERSIST, PLEASE CALL:**

**CUSTOMER SERVICE TOLL FREE NUMBER  
1-843-800-8372**

Please Have Your Receipt Ready And Available

**THANK YOU AND ENJOY YOUR ADJUSTABLE BED FRAME!**

# ARHAUS®

your home

## retreat



### rest easy

Made in partnership with a family-owned American mattress maker, our Retreat mattresses are handcrafted one at a time to be relaxing yet supportive, cloud-like sleep experiences. Plush and Firm mattresses are supported by our heat-tempered center and quantum edge springs, which provide more responsive movement with edge-to-edge support; while Memory Foam mattresses react to heat and pressure to cradle your body in sink-into comfort. And, Eurotop mattresses allow you to customize your comfort level with pillowtop inserts. Choose from firm, plush, memory foam, or latex inserts—also available in dual options, so you and your partner can both rest easy.

### product details

- ▶ In partnership with a family-owned American mattress maker, our Retreat mattresses are handcrafted, one-at-a-time.
- ▶ As a way of being sustainable, while keeping our commitment to quality, leftover pieces of foam or fabric are collected and sent to a company for re-use as carpet backing.
- ▶ Firm, Plush, and Eurotop mattresses feature support systems with individually wrapped, heat-tempered coils to minimize motion transfer. Center coils combined with quantum-edge coils provide edge-to-edge sink-into support for extra comfort and less back and joint pain.
- ▶ All Retreat Mattresses pair perfectly with our Retreat 8" Box Spring or Retreat 4" Platform.
- ▶ Mattress pads are recommended.
- ▶ Eurotop and Memory Foam mattresses include a removable, zip-close cover.
- ▶ Keep your furniture looking its best. Visit [arhaus.com](http://arhaus.com) or speak to any Arhaus Design Consultant for care recommendations.



# ARHAUS®

your home

## plush and firm mattress's

- ▶ Plush and Firm mattresses are covered in a soft, quilted cotton material.
- ▶ Plush/Firm mattresses are covered in a soft, quilted cotton material.
- ▶ Firm mattresses are generously padded with four inches of dense foam with a 35 ILD rating. Plush mattresses have a 15 ILD rating.

### Coil Counts

*firm & plush mattresses*

Full	778 coils
Twin	590 coils
Queen	932 coils
King	1,136 coils
California King	1,280 coils



### Plush Mattress

Twin	38" w x 74" d x 12" h	50PLTW
Full	54" w x 75" d x 12" h	50PLFL
Queen	60" w x 80" d x 12" h	50PLQN
King	76" w x 80" d x 12" h	50PLKG
California King	72" w x 84" d x 13" h	50PLCK

### Firm Mattress

Twin	38" w x 74" d x 12" h	50FRMTW
Full	54" w x 75" d x 12" h	50FRMFL
Queen	60" w x 80" d x 12" h	50FRMQN
King	76" w x 80" d x 12" h	50FRMKG
California King	72" w x 84" d x 13" h	50FRMCK

## eurotop mattress

- ▶ Eurotop pillowtop mattresses are generously padded with six inches of comfort foam.
- ▶ Eurotop mattress inserts can be split to accommodate dual comfort preferences.

## eurotop inserts

### plush & firm poly- foam

- ▶ Foam comfort layer provides support, comfort, and cooling.
- ▶ Firm inserts are padded with 1.8 density foam with a 35 ILD rating.
- ▶ Plush inserts are padded with 1.5 density foam with a 15 ILD rating.

## gel memory foam

- ▶ Hybrid Eurotop Mattresses with Gel Memory Foam Inserts offer cooling benefits with the support of inner springs.
- ▶ Memory foam inserts are padded with 3", 5 lb. gel memory foam.
- ▶ Cooling gel veins minimize excess heat.

## latex foam

- ▶ Hybrid Eurotop Mattresses with Latex Foam Inserts offer the benefits of memory foam with the support of inner springs.
- ▶ Latex foam inserts are padded with 3" of medium-firm latex foam, known for durability and longevity.
- ▶ Latex—a natural material deriving from rubber tree sap—resists dust mites, bacteria and molds.

### Eurotop Mattress

Queen Shell	60" w x 80" d x 13" h	50EUQNSHELL
King Shell	76" w x 80" d x 13" h	50EUKGSHELL
California King Shell	72" w x 84" d x 13" h	50EUCKSHELL

### Eurotop Mattress with Firm Insert

Full	54" w x 75" d x 13" h	50EUFRMFL
Queen	60" w x 80" d x 13" h	50EUFRMQN
Split Queen Firm/Plush	60" w x 80" d x 13" h	50EUFRMPLQN
Split Queen Firm/Memory	60" w x 80" d x 13" h	50EUFRMMEQN
Split Queen Firm/Latex	60" w x 80" d x 13" h	50EUFRMLAQN
King	76" w x 80" d x 13" h	50EUFRMKG
Split King Firm/Plush	76" w x 80" d x 13" h	50EUFRMPLKG
Split King Firm/Memory	76" w x 80" d x 13" h	50EUFRMMEKG
Split King Firm/Latex	76" w x 80" d x 13" h	50EUFRMLAKG
California King	72" w x 84" d x 13" h	50EUFRMCK

### Eurotop Mattress with Plush Insert

Full	54" w x 75" d x 13" h	50EUPLFL
Queen	60" w x 80" d x 13" h	50EUPLQN
Split Queen Plush/Memory	60" w x 80" d x 13" h	50EUPLMEQN
Split Queen Plush/Latex	60" w x 80" d x 13" h	50EUPLLAQN
King	76" w x 80" d x 13" h	50EUPLKG
Split King Plush/Memory	76" w x 80" d x 13" h	50EUPLMEKG
Split King Plush/Latex	76" w x 80" d x 13" h	50EUPLLAKG
California King	72" w x 84" d x 13" h	50EUPLCK

### Eurotop Mattress with Memory Foam Insert

Full	54" w x 75" d x 13" h	50EUMEFL
Queen	60" w x 80" d x 13" h	50EUMEQN
Split Queen Memory/Latex	60" w x 80" d x 13" h	50EUMELAQN
King	76" w x 80" d x 13" h	50EUMEKG
Split King Memory/Latex	76" w x 80" d x 13" h	50EUMELAKG
California King	72" w x 84" d x 13" h	50EUMECK

### Eurotop Mattress with Latex Foam Insert

Full	54" w x 75" d x 13" h	50EULAFLL
Queen	60" w x 80" d x 13" h	50EULAQN
King	76" w x 80" d x 13" h	50EULAKG
California King	72" w x 84" d x 13" h	50EULAKG

### Plush Inserts

Full	50EUPLINFL
Queen	50EUPLINQN
Split Queen	50EUPLINSPQNBox
King	50EUPLINKG
Split King	50EUPLINSPKG
California King	50EUPLINCK

### Memory Foam Inserts

Full	50EUMEINFL
Queen	50EUMEINQN
Split Queen	50EUMEINSPQN
King	50EUMEINKG
Split King	50EUMEINSPKG
California King	50EUMEINCK

### Firm Inserts

Full	50EUFRMINFL
Queen	50EUFRMINQN
Split Queen	50EUFRMINSPQN
King	50EUFRMINKG
Split King	50EUFRMINSPKG
California King	50EUFRMINCK

### Latex Foam Inserts

Full	50EULAINFL
Queen	50EULAINQN
Split Queen	50EULAINSPQN
King	50EULAINKG
Split King	50EULAINSPKG
California King	50EULAINCK

\*California King Inserts are available by special order only.



# ARHAUS®

your home

## memory foam mattress

- ▶ Memory foam mattresses help improve circulation and reduce stress on pressure points.
- ▶ Memory foam mattresses are padded with two inches of denser, 5 lb. memory foam surrounding three inches of cooling, 3 lb. gel memory foam to minimize excess heat.
- ▶ Memory foam mattresses are supported by a five-inch polycore.

### Memory Foam Mattress

Full	54" w x 75" d x 10" h	50MEFL
Queen	60" w x 80" d x 10" h	50MEQN
King	76" w x 80" d x 10" h	50MEKG
California King	72" w x 84" d x 13" h	50MECK



## box spring and platform

The perfect foundation for your mattress, our Retreat Box Springs and Platforms are designed to accommodate our Retreat Mattress Collection. Constructed of white microfiber. Features metal corner guards—instead of industry-standard plastic—for added longevity.

- ▶ Compatible with all Retreat Mattress options.
- ▶ Box Springs and Platforms feature metal corner guards—instead of industry-standard plastic—for added longevity.
- ▶ We recommend pairing Eurotop mattresses with our Retreat 4" Platform.



### 4" Platform

Twin	38" w x 75" d x 4" h	50PLATTW
Full	54" w x 75" d x 4" h	50PLATFL
Queen	60" w x 75" d x 4" h	50PLATQN
Split King	76" w x 75" d x 4" h	50PLATKGSPL

### 2.5" Platform

Twin	38" w x 75" d x 2.5" h	50PLATTW2.5
Full	54" w x 75" d x 2.5" h	50PLATFL2.5
Queen	60" w x 75" d x 2.5" h	50PLATQN2.5
Split King	37" w x 80" d x 2.5" h each	50PLTKGSP2
Split California King	36" w x 84" d x 2.5" h each	50PLTCKSP2



### Box Spring

Twin	38" w x 75" d x 8" h	50BXSPTW
Full	54" w x 75" d x 8" h	50BXSPFL
Queen	60" w x 75" d x 8" h	50BXSPQN
Split King	76" w x 75" d x 8" h	50BXSPKGSPL

# BEDROOM PARTS SKUS

Super Category	Product ID	Description	Collection	Route
BEDROOM	91378350MM	DRAWER RUNNER 350MM UNDERMOUNT	PT-UNIV	PART
BEDROOM	91378BAU400	DRAWER RUNNER 400MM	PT-UNIV	PART
BEDROOM	91CS-SG	MATTRESS RETAINER CLIPS 2 PC	PT-UNIV	PART
BEDROOM	911603HOOK	RAIL BRACKET AND HOOK SET BRACKET / HOOK FOR 14BD-Q4R	PT-UNIV	PART
BEDROOM	91KINGSLATS	KING BED SLATS ANDES MARIH FELX NOLN DEV HAYW	PT-UPHBEDS	
BEDROOM	91QNSLATS	QUEEN BED SLATS ANDES MARIH FELX NOLN DEV HAYW	PT-UPHBEDS	



Super Category	Product ID	Description	Stat	Collection
BEDROOM	91ANDESLEG	ANDES LEG PART QTY 1 REPLACEMENT PART	A	PT-ANDES
BEDROOM	91AVENCKCTSP	AVENTINE CK BED CENTR SUPPORT CENTER SUPPORT	A	PT-AVENTIN
BEDROOM	91AVENCKSLAT	AVENTINE CK BED SLATS SLATS	A	PT-AVENTIN
BEDROOM	91AVENKGSLAT	AVENTINE KING BED SLATS SLATS	A	PT-AVENTIN
BEDROOM	91AVENKGCTSP	AVENTINE KING CENTER SUPPORT CENTER SUPPORT	A	PT-AVENTIN
BEDROOM	91AVENNTSLID	AVENTINE NIGHTST DRAWER SLIDES 1 = 2 DRAWER SLIDES	A	PT-AVENTIN
BEDROOM	91AVENNTPULL	AVENTINE NIGHTST DRWR 8" PULL 1 PIECE	A	PT-AVENTIN
BEDROOM	91AVENONTPLL	AVENTINE OPEN NTS DRWR 8" PULL 1 PIECE	A	PT-AVENTIN
BEDROOM	91AVENONTSLD	AVENTINE OPEN NTST DRWR SLIDES 1 = PAIR OF SLIDES	A	PT-AVENTIN
BEDROOM	91AVENQNSLAT	AVENTINE QUEEN BED SLATS SLATS	A	PT-AVENTIN
BEDROOM	91AVENQNCTSP	AVENTINE QUEEN CENTER SUPPORT CENTER SUPPORT	A	PT-AVENTIN
BEDROOM	91AVENTDSLID	AVENTINE TALL DR DRAWER SLIDES 1 = PAIR OF SLIDES	A	PT-AVENTIN
BEDROOM	91AVENTDPULL	AVENTINE TALL DR DRWR 8" PULL 1 PIECE	A	PT-AVENTIN
BEDROOM	91AVENWDCTSP	AVENTINE WIDEDR CNTR SPPRT LEG 1 PIECE	A	PT-AVENTIN
BEDROOM	91AVENWD6PL	AVENTINE WIDEDR DRWR 6" PULL 1 PIECE	A	PT-AVENTIN
BEDROOM	91AVENWD8PL	AVENTINE WIDEDR DRWR 8" PULL 1 PIECE	A	PT-AVENTIN
BEDROOM	91AVENWDSLID	AVENTINE WIDEDR DRWR SLIDES 1 = 2 DRAWER SLIDES	A	PT-AVENTIN
BEDROOM	917070EXTEND	RETREAT LEG EXTENDER 2" 4 PACK 4 PC PACK	A	PT-BDFRAME
BEDROOM	91BECKKASHW	BECK ASSEMBLY HARDWARE KING HARDWARE	A	PT-BECK
BEDROOM	91BECKQASHW	BECK ASSEMBLY HARDWARE QUEEN HARDWARE	A	PT-BECK
BEDROOM	91BECKKGBRKT	BECK BRACKET KING BRACKET	A	PT-BECK
BEDROOM	91BECKBLKLEG	BECK LEG IN BLACK LEG	A	PT-BECK
BEDROOM	91BECKKGSL	BECK SLATS KING BECK KING SLATS	A	PT-BECK
BEDROOM	91BODHIDRGLBED	BODHI BED DRAWR GLIDES BED DRAWER GLIDES	A	PT-BODHI
BEDROOM	91BODHIASMHW	BODHI BED HARDWRE KG/QUEEN HARDWARE	A	PT-BODHI
BEDROOM	91BODHIDRWGL	BODHI CASE PIECES DRAWR GLIDE CASE PIECE DRAWER GLIDE	A	PT-BODHI
BEDROOM	91BODHIFTGLD	BODHI CASE PIECES FEET GLIDES 1 SET = 4 PCS	A	PT-BODHI
BEDROOM	91BODEKCNTSP	BODHI EB KG BED CENTR SUPPORT EBONY KG CENTER SUPPORT	A	PT-BODHI
BEDROOM	91BDEKPCRS	BODHI EB KG CP CENTR SUP EBONY CANOPY K CENTR SUP	A	PT-BODHI
BEDROOM	91BODEQCNTSP	BODHI EB QN BED CENTR SUPPORT EBONY QN CENTER SUPPORT	A	PT-BODHI
BEDROOM	91BDEQCPCRS	BODHI EB QN CP CENTR SUP EBONY CANOPY Q CENTR SUP	A	PT-BODHI
BEDROOM	91BODHCNTRSP	BODHI GRY KG BED CENTR SUPPORT GREY KG CENTER SUPPORT	A	PT-BODHI
BEDROOM	91BDKCPCTRSP	BODHI GRY KG CP CENTR SUP GREY CANOPY K CENTR SUP	A	PT-BODHI

Super Category	Product ID	Description	Stat	Collection
BEDROOM	91BODHQCTRSP	BODHI GRY QN BED CENTR SUPPORT GREY QN CENTER SUPPORT	A	PT-BODHI
BEDROOM	91BDQCPCTRSP	BODHI GRY QN CP CENTR SUP GREY CANOPY Q CENTR SUP	A	PT-BODHI
BEDROOM	91BODHIHANDLE	BODHI HANDLE + SCREW 1 HANDLE + SCREW	A	PT-BODHI
BEDROOM	91BROCKAHDW	BROCK BED ASSEMBLY HARDWARE BROCK BED ASSEMBLY HARDWARE	A	PT-BROCK
BEDROOM	91BROCKCSLGS	BROCK BED CENTER SUPPORT LEG BROCK BED CENTER SUPPORT LEG	A	PT-BROCK
BEDROOM	91BRCKGLDS	BROCK DRWR GLDS UNDER MOUNTS BEDROOM, WALL, DESK. SET OF 2	A	PT-BROCK
BEDROOM	91BRKGLBDAHW	BROCK GALLERY BED ASSEM HDW BROCK	A	PT-BROCK
BEDROOM	91BRCKHNG	BROCK HINGE BEDROOM, WALL	A	PT-BROCK
BEDROOM	91BRCKKNOB	BROCK KNOB BEDROOM, WALL, DESK	A	PT-BROCK
BEDROOM	91BRCKLVLRS	BROCK LEVELERS BEDROOM, WALL, DESK	A	PT-BROCK
BEDROOM	91BRCKPEGS	BROCK SHELF SUPPORT PEGS BEDROOM, WALL	A	PT-BROCK
BEDROOM	911679CELHND	CELESTE HANDLE 5 PCS HANDLE FOR CELESTE CASE PCS	A	PT-CELESTE
BEDROOM	911679CELKNB	CELESTE KNOB KNOB	A	PT-CELESTE
BEDROOM	91DEVSUPLEG	DEVEREAUX BED SUPPORT LEG USED FOR DEVEREAUX AND FELIX	A	PT-DEVER
BEDROOM	91DEVBNCHHG	DEVEREAUX BENCH HINGES 2PC 2 HINGES PER SET	A	PT-DEVER
BEDROOM	91DEVSPRNG	DEVEREAUX BENCH SPRING SPRING ONLY	A	PT-DEVER
BEDROOM	91DEVSTRGGLD	DEVEREAUX STORAGE GLIDES GLIDE PART	A	PT-DEVER
BEDROOM	91DEVSTRGBDHW	DEVEREAUX STRG BED ASSEMBLY HW 1 PC = 1 SET OF HW	A	PT-DEVER
BEDROOM	91ELITEMBREMOTE	ELITE MOTION BASE REMOTE WIRELESS REMOTE	A	PT-ELITE
BEDROOM	91511EVEHW	EVELYN BED ASSEMBLY HDW HARDWARE	A	PT-EVELYN
BEDROOM	91EVETWFLCNTSP	EVELYN BED CENTER SPRT TW/FL 1 PIECE	A	PT-EVELYN
BEDROOM	91EVEKGCENTRSP	EVELYN BED CENTER SUPPORT KING 1 PIECE	A	PT-EVELYN
BEDROOM	91EVENAIL	EVELYN BED NAIL DECORATIVE NAIL ON HB/FB	A	PT-EVELYN
BEDROOM	91EVECNRLEG	EVELYN CENTER SUPPORT LEG CENTER LEG	A	PT-EVELYN
BEDROOM	91EVEGLD	EVELYN DRAWER GLIDES SET OF 2 2 GLIDES	A	PT-EVELYN
BEDROOM	91EVEKNOB	EVELYN KNOB - ALL FINISHES ANTIQUÉ FINISH KNOB	A	PT-EVELYN
BEDROOM	91FELIXSUPLEG	FELIX BED SUPPORT LEG	D	PT-FELIX
BEDROOM	91GENPUL	GENEVIEVE WIDE DRESS DROP PULL	D	PT-GENEV
BEDROOM	91HELENHW	HELEN ASSEMBLY HW BED HW	D	PT-HELEN
BEDROOM	91HELENGLD	HELEN DRWR L GLIDES 400MM	A	PT-HELEN
BEDROOM	91HELENPULLS	HELEN DRWR PULLS MARBLE	A	PT-HELEN
BEDROOM	91HELENSGLD	HELEN DRWR S GLIDES 350MM	A	PT-HELEN
BEDROOM	91HELENLEVEL	HELEN LEVELERS IRON LEVELERS	A	PT-HELEN

Super Category	Product ID	Description	Stat	Collection
BEDROOM	91HELENLEG	HELEN SUPPORT LEG BED LEG	A	PT-HELEN
BEDROOM	91HENLEYKNOB	HENLEY BRASS KNOB BRASS KNOB FOR WD, NT, TD	A	PT-HENLEY
BEDROOM	91HENLYGLDDRSSR	HENLEY DRESSER DRAWER GLIDE 1 PC = 1 PAIR	A	PT-HENLEY
BEDROOM	91HENLEYGLID	HENLEY NGHT GLIDE 1 PC = 1 PAIR	A	PT-HENLEY
BEDROOM	91HNLYSLVKNB	HENLEY SILVER KNOB SILVER KNOB FOR WD, NT, TD	A	PT-HENLEY
BEDROOM	91HOULEGPAD	HOUGH SUPPORT LEG PAD QTY 1 = 6 PCS	A	PT-HOUGH
BEDROOM	91LAWSGLIDE2	LAWSON GLIDES FOR NT AND SNT GLIDES	A	PT-LAWSON
BEDROOM	91LAWSGLIDE1	LAWSON GLIDES FOR WD AND TD GLIDES	A	PT-LAWSON
BEDROOM	91LENASHDW	LENNON BED ASSEMBLY HDW ASSEMBLY HDW	A	PT-LENNON
BEDROOM	91LENCLEG	LENNON CENTER SUPPORT LEG CENTER SUPPORT LEG	A	PT-LENNON
BEDROOM	91LENLEVEL	LENNON LEVELERS LEVELERS	A	PT-LENNON
BEDROOM	91LENOXSMHW	LENOX ASSEMBLY HW ALL SIZES 1 SET = 1 POLY BAG	D	PT-LENOX
BEDROOM	91LENOXKEY	LENOX BEDROOM KEY KEY = QTY 1	A	PT-LENOX
BEDROOM	91LENOXLOCK	LENOX BEDROOM LOCK LOCK = QTY 1	A	PT-LENOX
BEDROOM	91LENOXKNOB	LENOX KNOB NT/WD/TD 1-1/2" BLT 1 PC & SCREWS = 1 POLY BAG	D	PT-LENOX
BEDROOM	91LENKNOB	LENOX KNOB NT/WD/TD 1-1/4" BLT WIDE DRESSER, CHEST, NIGHTSTAN	D	PT-LENOX
BEDROOM	91LENMCL	LENOX METAL CAP FOR LEG METAL CAP	D	PT-LENOX
BEDROOM	91LENMRHW	LENOX MIRROR HANGING HW 1 SET/BAG	D	PT-LENOX
BEDROOM	91LENUG12	LENOX UNDERMOUNT GLIDE 12 GLIDE FOR LENOX NIGHTSTAND	D	PT-LENOX
BEDROOM	91LENUG14	LENOX UNDERMOUNT GLIDE 14 GLIDE FR LENOX TALL CHST & WD	D	PT-LENOX
BEDROOM	91LENKEY	LENOX WIDE DRESSER KEY KEY	D	PT-LENOX
BEDROOM	91LINCKGHW	LINCOLN BED ASSEMBLY HW KING HARDWARE	D	PT-LINCOLN
BEDROOM	91LINCQNHWH	LINCOLN BED ASSEMBLY HW QUEEN HARDWARE	D	PT-LINCOLN
BEDROOM	91LINCQNWDLG	LINCOLN QN WOOD LEGS IN SHDW 4 WOOD LEGS IN SHADOW	A	PT-LINCOLN
BEDROOM	91LINCFSWDLG	LINCOLN WOOD LEG FLANNIGAN 1 SET = 2 ROUND + 2 TAPERED	D	PT-LINCOLN
BEDROOM	91LINCTFWDLG	LINCOLN WOOD LEGS TUESDAY FOG 1 SET = 2 ROUND + 2 TAPERED	D	PT-LINCOLN
BEDROOM	91LORENFELT1	LOREN 2DR NT FELT LINER 20.25" X 13.5" = 1 PC	A	PT-LOREN
BEDROOM	91LORENQASHW	LOREN BED ASSEMBLY HDW QUEEN 1 PACK	A	PT-LOREN
BEDROOM	91LORENASHW	LOREN BED ASSEMBLY HDW KNG CALK KING AND CAL KING 1 PACK	A	PT-LOREN
BEDROOM	91LORECKSLAT	LOREN BED SLATS CAL KING SLATS	A	PT-LOREN
BEDROOM	91LOREKGLAT	LOREN BED SLATS KING SUPPORT LEG	A	PT-LOREN
BEDROOM	91LOREQNSLAT	LOREN BED SLATS QUEEN SLATS	A	PT-LOREN
BEDROOM	91LORECKCTSP	LOREN CENTER SUPPORT LEG CKG SUPPORT LEG	A	PT-LOREN

Super Category	Product ID	Description	Stat	Collection
BEDROOM	91LOREKGTSP	LOREN CENTER SUPPORT LEG KING SLATS	A	PT-LOREN
BEDROOM	91LOREQNCTSP	LOREN CENTER SUPPORT LEG QUEEN SUPPORT LEG	A	PT-LOREN
BEDROOM	91LORENHANDLE	LOREN HANDLE FOR ALL CASE PCS 1 PIECE	A	PT-LOREN
BEDROOM	91LORENTSLID	LOREN NIGHTST DRAWER SLIDES 1 = 2 DRAWER SLIDES	A	PT-LOREN
BEDROOM	91LORENTPULL	LOREN NT DRAWER PULL 1 PIECE	D	PT-LOREN
BEDROOM	91LOREONTSLD	LOREN OPEN NIGHTST DRWR SLIDES 1 = PAIR OF SLIDES	A	PT-LOREN
BEDROOM	91LORENFELT2	LOREN OPEN NIGHTST FELT LINER 16.25" X 13.5" = 1 PC	A	PT-LOREN
BEDROOM	91LOREONTPLL	LOREN OPEN NT DRAWER PULL 1 PIECE	D	PT-LOREN
BEDROOM	91LORENFELT4	LOREN TD & WD FELT LINER 16.75" X 5.75" = 1 PC	A	PT-LOREN
BEDROOM	91LORETDPULL	LOREN TD DRAWER PULL 1 PIECE	D	PT-LOREN
BEDROOM	91LORETDSLID	LOREN TD DRAWER SLIDES 1 = 2 DRAWER SLIDES	A	PT-LOREN
BEDROOM	91LORENFELT5	LOREN TD FELT LINER 5.5" X 13.5" = 1 PC	A	PT-LOREN
BEDROOM	91LORETDJWTR	LOREN TD JEWELRY TRAY 1 PIECE	A	PT-LOREN
BEDROOM	91LOREWDCTSP	LOREN WD CENTER SUPPORT LEG 1 PIECE	A	PT-LOREN
BEDROOM	91LORENFELT3	LOREN WD FELT LINER 10.5" X 14.5" = 1 PC	A	PT-LOREN
BEDROOM	91MALONEBONELEG	MALONE 11 DR DRSR BONE 1 LEG 3032690-1260	A	PT-MALONE
BEDROOM	91MALONESPARROWLEG	MALONE 11 DR DRSR SPRRW 1 LEG 3032689-2300	A	PT-MALONE
BEDROOM	91MALOKGASHW	MALONE BED ASSEMBLY HW KING HARDWARE	A	PT-MALONE
BEDROOM	91MALOQNASHW	MALONE BED ASSEMBLY HW QUEEN HARDWARE	A	PT-MALONE
BEDROOM	91MALOKQCSLG	MALONE BED CENTR SP LEG KG/QN 1 PIECE	A	PT-MALONE
BEDROOM	91MALOKQFTGL	MALONE BED FOOT GLIDE KG/QN 1 FOOT GLIDE	A	PT-MALONE
BEDROOM	91MALOKGSLTS	MALONE BED SLATS KING 1 SET	A	PT-MALONE
BEDROOM	91MALOQNSLTS	MALONE BED SLATS QUEEN 1 SET	A	PT-MALONE
BEDROOM	91MALONECANOPYHW	MALONE CANOPY HARDWARE HARDWARE	A	PT-MALONE
BEDROOM	91MALONTPULL	MALONE NT DRW PULL 1 PC = 7" PULL WITH SCREWS	A	PT-MALONE
BEDROOM	91MALOWDPULL	MALONE WD DRW PULL 1 PC = 9" PULL WITH SCREWS	A	PT-MALONE
BEDROOM	91MALOWDDRGL	MALONE WDDR/NIGTH GLIDE 1 PAIR PAIR OF METAL DRWR GLIDES	A	PT-MALONE
BEDROOM	91MANDARAKHW	MANDARA BED ASSEMBLY HW KING	D	PT-MANDARA
BEDROOM	91MANDARAQHW	MANDARA BED ASSEMBLY HW QUEEN	D	PT-MANDARA
BEDROOM	CSJKBZIPPNL	KG EUROTOP RETREAT ZIP PANEL	A	PT-MATRS
BEDROOM	91MAUDEASHW	MAUDE BED ASSEMBLY HARDWARE 1 UNIT = 1 SET OF HARDWARE	A	PT-MAUDE
BEDROOM	91MAUDECSLEG	MAUDE CENTER SUPPORT LEG 1 UNIT = 1 CENTER SUPPORT LEG	A	PT-MAUDE
BEDROOM	91MAYAKGHW	MAYA ASSEMBLY HW KING HINGE	A	PT-MAYA
BEDROOM	91MAYAQNHW	MAYA ASSEMBLY HW QUEEN HARDWARE	A	PT-MAYA

Super Category	Product ID	Description	Stat	Collection
BEDROOM	91MILR12HNDL	MILLER 12" HANDLE - QTY 1 MILLER 12" HANDLE - QTY 1	A	PT-MILLER
BEDROOM	91MILR16HNDL	MILLER 16" HANDLE - QTY 1 MILLER 16" HANDLE - QTY 1	A	PT-MILLER
BEDROOM	91MILLR8HNDL	MILLER 8" HANDLE - QTY 1 MILLER 8" HANDLE - QTY 1	A	PT-MILLER
BEDROOM	91RLEGPLB4PACK	MOTION BASE LEGS LEGS FOR RAVANTE50 (97QN MOTBS)	A	PT-MTNBASE
BEDROOM	91NIKAGLIDE	NIKA DRESSER DRAWER GLIDES FOR TALL AND WIDE	A	PT-NIKA
BEDROOM	91NIKAGLIDNT	NIKA NIGHT DRAWR GLIDES GLIDES	A	PT-NIKA
BEDROOM	91NIKAPULLNT	NIKA NIGHT DRAWR PULL PULLS	A	PT-NIKA
BEDROOM	91NIKAPULLTD	NIKA TALL DR DRAWR PULLS PULLS	A	PT-NIKA
BEDROOM	91NIKAPULL	NIKA WIDE DR DRAWR PULLS PULLS	A	PT-NIKA
BEDROOM	9114BD-K2N	NOLAN BED WOODEN SLAT KING SLATS	A	PT-NOLAN
BEDROOM	9114BD-Q2N	NOLAN BED WOODEN SLAT QUEEN SLATS	A	PT-NOLAN
BEDROOM	91PALMBBPULL	PALMER BAHASA BR PULLS BAHASA BROWN	A	PT-PALMBB
BEDROOM	91PALMBBGLDS	PALMER BAHASA BROWN GLIDES BAHASA BROWN	A	PT-PALMBB
BEDROOM	91PALMBBAHDW	PALMER BAHASA BROWN HDW BAHASA BROWN	A	PT-PALMBB
BEDROOM	91PALMCACSLG	PALMER CAMEL CTR LEG CAMEL	A	PT-PALMBB
BEDROOM	91PALMCAGLDS	PALMER CAMEL GLIDES CAMEL	A	PT-PALMBB
BEDROOM	91PALMCAHDW	PALMER CAMEL HDW CAMEL	A	PT-PALMBB
BEDROOM	91PALMCAPULL	PALMER CAMEL PULLS CAMEL	A	PT-PALMBB
BEDROOM	91PALMBBCSLG	PALMER CTR SUPPORT LEG 14.75 ALL FINISHES	A	PT-PALMBB
BEDROOM	91511PALMBD	PALMER BED ASSEMBLY HDW HARDWARE	A	PT-PALMER
BEDROOM	91PALMCTRLEG	PALMER BED CENTER LEG ASSEMBLY HARDWARE	D	PT-PALMER
BEDROOM	91PALMRGLDLG	PALMER BED GLIDE LARGE FOR PALMER BED ONLY	A	PT-PALMER
BEDROOM	91PALMERBOLTS	PALMER BED IRON CONNECTOR CONNECTOR	A	PT-PALMER
BEDROOM	91PALMKGSLT	PALMER BED SLATS KING SLATS	A	PT-PALMER
BEDROOM	91PALMQNSLT	PALMER BED SLATS QUEEN SLATS	A	PT-PALMER
BEDROOM	91PALMCNPYHW	PALMER CANOPY ASSEMBLY HW ASSEMBLY HARDWARE	A	PT-PALMER
BEDROOM	91PALMRGLIDE	PALMER DRAWER GLIDE PALMER DRAWER GLIDE	A	PT-PALMER
BEDROOM	91511PALMPUL	PALMER DRAWER PULL FOR BROWN AND MANGO	A	PT-PALMER
BEDROOM	91PALMNTGLIDE	PALMER NIGHTSTAND GLIDE PALMER BEDROOM	A	PT-PALMER
BEDROOM	91511PALSMFT	PALMER PLASTIC FOOT FOR ALL PALMER PIECES	A	PT-PALMER
BEDROOM	91PALMERLEG	PALMER STORAGE BED LEG LEG	A	PT-PALMER
BEDROOM	91PALMSTGASHW	PALMER STRG BD ASMBLY HW STONE 1 SET = STONE ASSEMBLY HW	A	PT-PALMER
BEDROOM	91PALMSASHW	PALMER STRG BED ASMBLY HW OAK 1 SET = OAK FINISH ONLY	A	PT-PALMER

Super Category	Product ID	Description	Stat	Collection
BEDROOM	91PALMKSBCS	PALMER STRG BED CTR SUPPRT KG CENTER SUPPORT	A	PT-PALMER
BEDROOM	91PALMTBLFT	PALMER TABLE PLASTIC FEET PLASTIC LEG CAP	A	PT-PALMER
BEDROOM	91PALMUPHFT	PALMER UPH DEC FOOT TOLIVER CREAM	A	PT-PALMER
BEDROOM	45PALMUPHFT	PALMER UPH DEC FOOT TOLIVER CREAM	A	PT-PALMER
BEDROOM	45PALMUPHLG	PALMER UPH SUPPORT LEG TOLIVER CREAM	A	PT-PALMER
BEDROOM	91PALMUPHLG	PALMER UPH SUPPORT LEG TOLIVER CREAM	A	PT-PALMER
BEDROOM	45PALMUPHHW	PALMER UPH TC HW TOLIVER CREAM	A	PT-PALMER
BEDROOM	91PEAR11FCS2	PEAR 11DR CTR SPRT FG 2 1 CENTER SUPPORT	A	PT-PEARSON
BEDROOM	91PEARFCS2	PEAR 6DR CTR SUPRT FG 2 1 CENTER SUPPORT	A	PT-PEARSON
BEDROOM	91PEAR11SCS	PEARSON 11DR CENTR SUP STRATUS 1 CENTER SUPPORT	A	PT-PEARSON
BEDROOM	91PEAR11BCS	PEARSON 11DR CENTR SUPPRT BRWN 1 CENTER SUPPORT	A	PT-PEARSON
BEDROOM	91PEAR11FCS	PEARSON 11DR CENTR SUPPRT FOG 1 CENTER SUPPORT	A	PT-PEARSON
BEDROOM	91PEAR11NCS	PEARSON 11DR CENTR SUPPRT NATU 1 CENTER SUPPORT	A	PT-PEARSON
BEDROOM	91PEARSCS	PEARSON 6DR CENTR SUPP STRATUS 1 CENTER SUPPORT	A	PT-PEARSON
BEDROOM	91PEARBCS	PEARSON 6DR CENTR SUPPORT BRWN 1 CENTER SUPPORT	A	PT-PEARSON
BEDROOM	91PEARFCS	PEARSON 6DR CENTR SUPPORT FOG 1 CENTER SUPPORT	A	PT-PEARSON
BEDROOM	91PEARNCS	PEARSON 6DR CENTR SUPPORT NATU 1 CENTER SUPPORT	A	PT-PEARSON
BEDROOM	91PEARASHW	PEARSON BED ASSEMBLY HW ALL BED STYLES	A	PT-PEARSON
BEDROOM	91PEARBEDCS	PEARSON BED CNTR SUPPORT KG/QN 1 PIECE = CENTER SUPPORT	A	PT-PEARSON
BEDROOM	91PEARLEVELBLK	PEARSON BEDROOM LEVELER BLACK 1 PIECE	A	PT-PEARSON
BEDROOM	91PEARLEVELWH	PEARSON BEDROOM LEVELER WHITE 1 PIECE	A	PT-PEARSON
BEDROOM	91PEARDRGLIDE	PEARSON CASE PC DRAWR GLID 1 = 1 PAIR OF GLIDES	A	PT-PEARSON
BEDROOM	91PEARUPHCS	PEARSON CENTR SUPPRT LEG BLACK 1 PIECE	A	PT-PEARSON
BEDROOM	91PEARLGKNOB	PEARSON LARGE KNOB - ANTIQUE BASTIAN BROWN FINISH ONLY	A	PT-PEARSON
BEDROOM	91PEARLGKNBN	PEARSON LARGE KNOB - NICKEL NATURAL, STRATUS & FOG	A	PT-PEARSON
BEDROOM	91PEARLOWKSL	PEARSON LOW BED SLATS KING 1 SET = 24 PCS SLATS	A	PT-PEARSON
BEDROOM	91PEARLOWQSL	PEARSON LOW BED SLATS QN 1 SET = 24 PCS SLATS	A	PT-PEARSON
BEDROOM	91PEARSMKNOB	PEARSON SMALL KNOB - ANTIQUE BASTIAN BROWN FINISH ONLY	A	PT-PEARSON
BEDROOM	91PEARSMKNBN	PEARSON SMALL KNOB - NICKEL NATURAL, STRATUS & FOG	A	PT-PEARSON
BEDROOM	91PEARBEDDRAWRGLD	PEARSON STG BED DRAWER GLIDES 1 PC = 1 SET	A	PT-PEARSON
BEDROOM	91PEARSTGQSL	PEARSON STG LONG SUPPRT LEG QN 1 PIECE	A	PT-PEARSON
BEDROOM	91PEARSTGKSL	PEARSON STG SHORT SUPPRT LG KG 1 PIECE	A	PT-PEARSON
BEDROOM	91PEARSGQSSL	PEARSON STG SHORT SUPPRT LG QN 1 PIECE	A	PT-PEARSON

Super Category	Product ID	Description	Stat	Collection
BEDROOM	91PEARUPHKSL	PEARSON UPH BED SLATS KG 1 SET = 24 PCS SLATS	A	PT-PEARSON
BEDROOM	91PEARUPHQL	PEARSON UPH BED SLATS QN 1 SET = 24 PCS SLATS	A	PT-PEARSON
BEDROOM	91PERCYKNOB	PERCY KNOB GRAPHITE QTY 1 KNOB FOR PERCY GRAPHITE	D	PT-PERCY
BEDROOM	91PERCYGKNOB	PERCY KNOB GRAPHITE QTY 2 1 PACK = 2 KNOBS	A	PT-PERCY
BEDROOM	91PERCYNKNOB	PERCY NICKEL DRAWER KNOB 1 PACK = 2 KNOBS	A	PT-PERCY
BEDROOM	91PERCYFTGLD	PERCY TAPIN FOOT GLIDE W SCREW 20 PLASTIC FT GLDS W SCREWS	A	PT-PERCY
BEDROOM	91REESE12INCH	REESE DRAWER GLIDE 12 GLIDES	A	PT-REESE
BEDROOM	91REESE14INCH	REESE DRAWER GLIDE 14 GLIDES	A	PT-REESE
BEDROOM	45REESDSK	REESE DSK ASSEMBLY HDW HARDWARE	A	PT-REESE
BEDROOM	91REESESH	REESE JWLRY CHST HINGE SD DR SIDE DOOR HINGE	A	PT-REESE
BEDROOM	91REESELH	REESE JWLRY CHST HINGE TOP PNL LONG TOP PANEL HINGE	A	PT-REESE
BEDROOM	91REESEJCHK	REESE JWLRY CHST HOOK NECK HOOK	A	PT-REESE
BEDROOM	91REESESUPRT	REESE JWLRY SPRING TENSION ARM METAL	A	PT-REESE
BEDROOM	91REESEKNOB	REESE KNOB NT, DRESSERS AND JEWEL CHEST	A	PT-REESE
BEDROOM	91REESEKNOB2	REESE KNOB DESK AND 3D CABINET	A	PT-REESE
BEDROOM	91REESEWASHR	REESE PLASTIC WASHER 50 MOQ	A	PT-REESE
BEDROOM	91REESMFRGL	REESE WD FRONT TOP GLASS MIRR ANTIQU MIRROR	D	PT-REESE
BEDROOM	91RIGBKGHW	RIGBY BED ASSEMBLY HW KG LEGS INCLUDED	A	PT-RIGBY
BEDROOM	91RIGBQNHW	RIGBY BED ASSEMBLY HW QN LEGS INCLUDED	A	PT-RIGBY
BEDROOM	91RIGBKGCS	RIGBY BED CENTR SUPPRT LEGS KG SUPPORT LEG	A	PT-RIGBY
BEDROOM	91RIGBQNCS	RIGBY BED CENTR SUPPRT LEGS QN SUPPORT LEG	A	PT-RIGBY
BEDROOM	91313LUCIAHW	ST LUCIA BED ASSEMBLY HW HARDWARE	A	PT-STLUCIA
BEDROOM	91313LUCIALEG	ST LUCIA BED LEGS ST LUCIA AND EVANSTON	A	PT-STLUCIA
BEDROOM	91LUCIAKGLT	ST LUCIA BED SLAT KING (1) ST LUCIA KG BED SLAT - QTY 1	A	PT-STLUCIA
BEDROOM	91LUCIAFLSLT	ST LUCIA BED SLATS FULL SLATS	A	PT-STLUCIA
BEDROOM	91LUCIAQNSLT	ST LUCIA BED SLATS QUEEN ST LUCIA QN BED SLAT - QTY 1	A	PT-STLUCIA
BEDROOM	91LUCIATWSLT	ST LUCIA BED SLATS TWIN SLATS	A	PT-STLUCIA
BEDROOM	91SULLGLIDES	SULLIVAN DRAWER GLIDES CASE PIECE PART	A	PT-SULL
BEDROOM	91SULLHNDL	SULLIVAN DRESSER HANDLE	A	PT-SULL
BEDROOM	91SULLLEVEL	SULLIVAN LEVELORS CASE PIECE PART	D	PT-SULL
BEDROOM	91SULLLRDPL	SULLIVAN LRG DRWR PULLS CASE PIECE PART	A	PT-SULL
BEDROOM	91SULLSMPL	SULLIVAN SM DRWR PULLS CASE PIECE PART	A	PT-SULL
BEDROOM	91TINSLEYFTG	TINSLEY ADJUST FOOT GLIDE 4 PC SET OF 4 - 1 PIECE	A	PT-TINSLEY

Super Category	Product ID	Description	Stat	Collection
BEDROOM	91TINSLEYHW	TINSLEY ASSEMBLY HARDWARE SET	D	PT-TINSLEY
BEDROOM	91TINSLEYBDHW	TINSLEY BED HW QUEEN 1 SET OF ASSEMBLY HW	A	PT-TINSLEY
BEDROOM	91TINSLEYSLT	TINSLEY BED SLAT KING 9 PC SLATS	A	PT-TINSLEY
BEDROOM	91TINSLEYQST	TINSLEY BED SLAT QUEEN 9PC SLATS	A	PT-TINSLEY
BEDROOM	91TINSLEYMS	TINSLEY CASE DRWR METAL SLIDES 1 SET	A	PT-TINSLEY
BEDROOM	91TINSLEYPUL	TINSLEY CASE RNG PULL BRASS PULL	A	PT-TINSLEY
BEDROOM	91TINSLEYCSL	TINSLEY CENTR SLAT W/ FT GLIDE 1 PIECE	A	PT-TINSLEY
BEDROOM	91TREMONTWH	TREMONT BED ASSEMBLY HDW KQF NON-STOR ALL SIZES EXCPT TWIN	A	PT-TREMONT
BEDROOM	91TREMTHWH	TREMONT BED ASSEMBLY HW TWIN TREMONT NON-STORAGE TWIN ONLY	A	PT-TREMONT
BEDROOM	91TREMFLSLT	TREMONT BED SLATS FULL SLATS	A	PT-TREMONT
BEDROOM	91TREMKGSLT	TREMONT BED SLATS KING SLATS	A	PT-TREMONT
BEDROOM	91TREMQNSLT	TREMONT BED SLATS QUEEN SLATS	A	PT-TREMONT
BEDROOM	91TREMWSLT	TREMONT BED SLATS TWIN SLATS	A	PT-TREMONT
BEDROOM	91TREMBSBRC	TREMONT BRASS CORNER BRACKET BRASS BRACKET W/ 6 SCREWS	A	PT-TREMONT
BEDROOM	91CONNCAM	TREMONT CAM CONNECTOR CONNECTOR	A	PT-TREMONT
BEDROOM	91CAMLKSCREW	TREMONT CAM LOCK SCREW LOCK SCREW	A	PT-TREMONT
BEDROOM	91TREMDBRNLH	TREMONT HANDLE LEATHER FOR BRN TREMONT BROWN FINISH	A	PT-TREMONT
BEDROOM	91TREMBRNLH	TREMONT HANDLE LTHR FOR BLK/NA TREMONT BLK & NAT FINISH	A	PT-TREMONT
BEDROOM	91TREMSPBRKT	TREMONT SILVER SUPPORT BRACKET TREMONT SILVER SUPPORT BRACKET	A	PT-TREMONT
BEDROOM	91378STOBED	TREMONT STOR BED ASSEMBY HW ALL TREMONT STORAGE BED SIZES	A	PT-TREMONT
BEDROOM	91378BED350	TREMONT STOR BED DRWR RUNNER 2 SET = 14	D	PT-TREMONT
BEDROOM	91TRESTGSLEG	TREMONT STOR BED SUPPRT LEG SUPPORT LEG	A	PT-TREMONT
BEDROOM	91TREMWWBAR	TREMONT WARDROBE CLOTHING BAR FOR ALL FINISHES	A	PT-TREMONT
BEDROOM	45378TREKNB	TREMONT WARDROBE DRAWER KNOB KNOB	A	PT-TREMONT
BEDROOM	91TREMSHFBL	TREMONT WARDROBE SHELF BLACK SHELF	A	PT-TREMONT
BEDROOM	91TREMSHFBR	TREMONT WARDROBE SHELF BROWN SHELF	A	PT-TREMONT
BEDROOM	91TREMSHFNT	TREMONT WARDROBE SHELF NATURAL DRY BRANCH NATURAL	A	PT-TREMONT
BEDROOM	91WILLTIPKT	WILLOW BEDROOM ANTI TIP KIT ANTI TIP KIT - QTY 1	A	PT-WILLOW
BEDROOM	91WILLDRGL	WILLOW BEDROOM DRAWER GLIDE DRAWER GLIDE 400MM - QTY 1	A	PT-WILLOW
BEDROOM	91WYLLERLEG	WYLLER LEG 1 LEG	A	PT-WYLLER