

ARHAUS®

your home

felix



Queen Bed

69" w x 90" d x 65" h
 Vangogh Charcoal 45FELQNH
 Dasher Ash 45FELDAQN



California King Bed*

82" w x 94" d x 65" h

Queen Storage Bed

69" w x 90" d x 65" h
 Dasher Ash 45FELIXQSBKT
 Drawer interior 38" w x 23" d x 13.5" h



Queen Headboard

69" w x 5" d x 65" h
 Vangogh Charcoal 45FELQNH
 Dasher Ash 45FELDAQNH

King Bed

84" w x 90" d x 57" h
 Vangogh Charcoal 45FELKG
 Dasher Ash 45FELDAKG

King Storage Bed

86" w x 90" d x 65" h
 Dasher Ash 45FELIXKSBKT
 Drawer interior 38" w x 23" d x 13.5" h

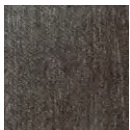
King Headboard

84" w x 5" d x 65" h
 Vangogh Charcoal 45FELKGHB
 Dasher Ash 45FELDAKGHB

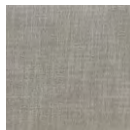
Metal Bed Frame

King
 71" w x 76" d x 7.5" h
 45KGMTFRMFM
 Queen
 71" w x 60" d x 7.5" h
 45QNMTRMFM

Fabrics:

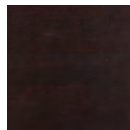


Vangogh
Charcoal



Dasher
Ash

Finishes:



Hickory



Fossil

your style your way

Craft a custom design that tells your style story.

This collection is available in special-order:

Fabrics and Leathers | Ask in store or call 866.427.4287

*available by special order

stunningly luxurious

Take your straightforward style to dramatic heights. Our Felix Bed Collection features luxuriously upholstered frames in stunning fabrics. Fabric-wrapped buttons, tufting, and striking double rows of hand-applied nailheads accentuate each frame, head- and footboard, creating a luxe foundation to your boudoir décor. Customize your look with an array of fabric, leather, and finish options and our in-store design centers. Ask a Design Consultant about ways to bring your style story to life.

product details

- ▶ Pieces upholstered in Vangogh Charcoal are hand-painted in our Hickory finish and feature pewter nailhead details.
- ▶ Pieces upholstered in Dasher Ash are hand-painted in our Fossil finish and feature steel nailhead details.
- ▶ Double rows of nailheads are applied by hand to frame and accentuate each headboard.
- ▶ Non-storage beds and headboards are accented with hand-sewn tufting accented with matching, fabric-wrapped buttons.
- ▶ To enhance and protect the hand-applied wood finishes, solid wood legs are brushed with a lacquer that creates a wear resistant surface.
- ▶ Craftsman-built frames are constructed using solid, reinforced, cross-directional hardwood laminate to ensure a strong and stable piece for years to come.
- ▶ Bed frames are fully padded in dense, eco-friendly foam and wrapped in poly fiber to create a cozy backdrop for hours of comfortable lounging.
- ▶ Delivering strong, reliable support to your mattress set, a trio of solid hardwood panels rest securely on solid wood braces attached to the inside of side rails.
- ▶ Storage beds feature two drawers on each side.
- ▶ Bed frames include space to accommodate variances in mattress sizes and allow bedding to be tucked into frame.
- ▶ Felix Queen Storage Beds accommodate mattresses up to 60.5" w x 83.5" d.
- ▶ Felix King Storage Beds accommodate mattresses up to 76.5" w x 83.5" d.
- ▶ Felix (non-storage) Queen Beds feature a frame cavity of 63" w x 82.5" d.
- ▶ Felix (non-storage) King Beds feature a frame cavity of 78.5" w x 82.5" d.
- ▶ Felix (non-storage) California King Beds feature a frame cavity of 74.5" w x 86.5" d
- ▶ Metal Bed Frames are made from reinforced recycled railroad steel supported by double center rails for increased strength and durability.



felix | bedroom collection | made in America

Dimensions may vary slightly. Please ensure furnishings fit through interior structures and into desired space before purchase.

Felix Storage Bed Assembly

Hardware box is shipped in the Headboard / Footboard box
(8) 5/16"-18 x 1 1/2" Bolts/washers
(10) 2" wood screws

HARDWARE KIT: 91FELIXSHW



Attach drawer box to FB using (2) Bolts/washers
Align FB with holes on Drawer box – FB will be approx. 1" from floor



Attach drawer box to HB using (2) Bolts/washers
Align FB with holes on Drawer box – HB will be approx. 1" from floor



Place supports in drawer box
Secure with wood screws
(holes are not predrilled)



BEDROOM PARTS SKUS

Super Category	Product ID	Description	Collection	Route
BEDROOM	91FELIXSUPLEG	FELIX BED SUPPORT LEG	PT-FELIX	PART
BEDROOM	91FELIXSHW	FELIX STORAGE BED ASSEMBLY HW	PT-FELIX	PART
BEDROOM	91FELIXGLIDE	FELIX STORAGE BED GLIDE	PT-FELIX	PART

ARHAUS®

your home

hayworth



Bed

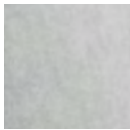
King 83" w x 91" d x 63" h 45HAYWRTHKG
 Queen 67" w x 91" d x 63" h 45HAYWRTHQN
California King available by special order



Headboard

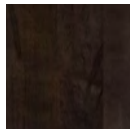
King 83" w x 13" d x 63" h 45HAYWRTHKHB
 Queen 67" w x 13" d x 63" h 45HAYWRTHQHB
California King available by special order

Fabric:



Votive Slate

Finish:



Fossil

your style your way

Craft a custom design that tells your style story.

This collection is available in special-order **Fabrics, Leathers, Finishes, and More**, details below. Ask in store or call 866.427.4287

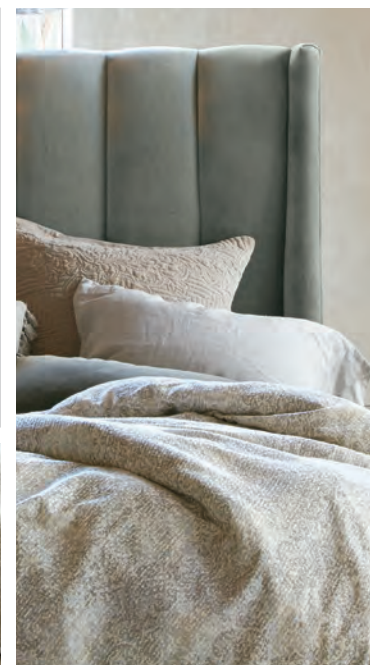
*Special Order pieces upholstered in Norre recycled leathers will show visible seaming.

inspired to be luxe

Our Hayworth collection's glamorous headboard is channel-stitched by hand for a look that sings with luxury. Soft yet striking velveteen fabric wraps around generously plush headboards—padded with eco-friendly foam—to create an almost excessively comfortable focal point for your bedroom. Bed frames are crafted by upholstery artisans in North Carolina, using reinforced laminate hardwood for lasting strength and superior stability.

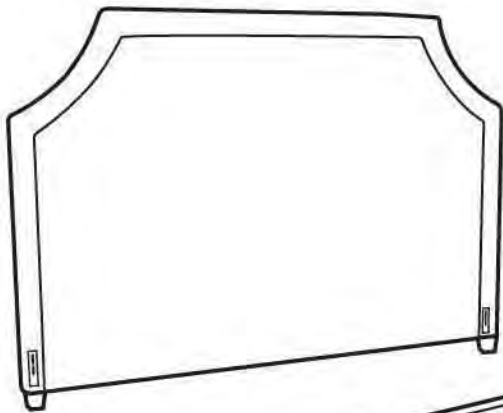
product details

- ▶ Craftsman-built frames are constructed using solid, reinforced, laminate hardwood for lasting strength and superior stability.
- ▶ Lightly tapered solid, wood, block feet are hand-finished in our Fossil stain.
- ▶ Made in America—this collection was handcrafted by upholstery artisans in North Carolina.
- ▶ Arhaus upholstery is made using wood certified by the Sustainable Forestry Initiative.
- ▶ Solid hardwood panels rest on solid wood braces attached to the frame's side rails for reliable mattress support.
- ▶ Headboards are channel stitched and generously padded for luxurious style and sink-into comfort.
- ▶ Upholstery is padded with dense, eco-friendly foam made partly from sustainable, plant-based material.
- ▶ Bed frames include space to accommodate variances in mattress sizes and allow bedding to be tucked into frame.
- ▶ King beds feature a frame cavity of 77.5" w x 80" d.
- ▶ Queen beds feature a frame cavity of 61.5" w x 79" d.
- ▶ Keep your furniture/décor looking its best. Visit arhaus.com or speak to any Arhaus Design Consultant for care recommendations.

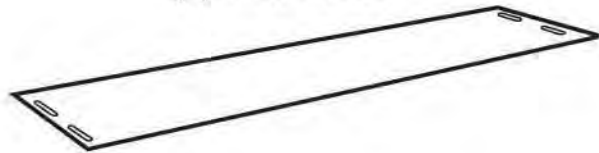


Components:

(1) Head Board

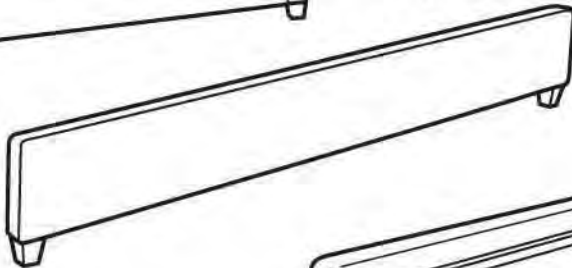


(3) Slats Panels

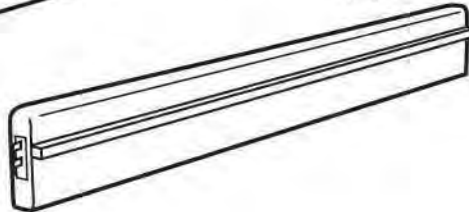


(3) Height Adustable Support Legs

(1) Footboard

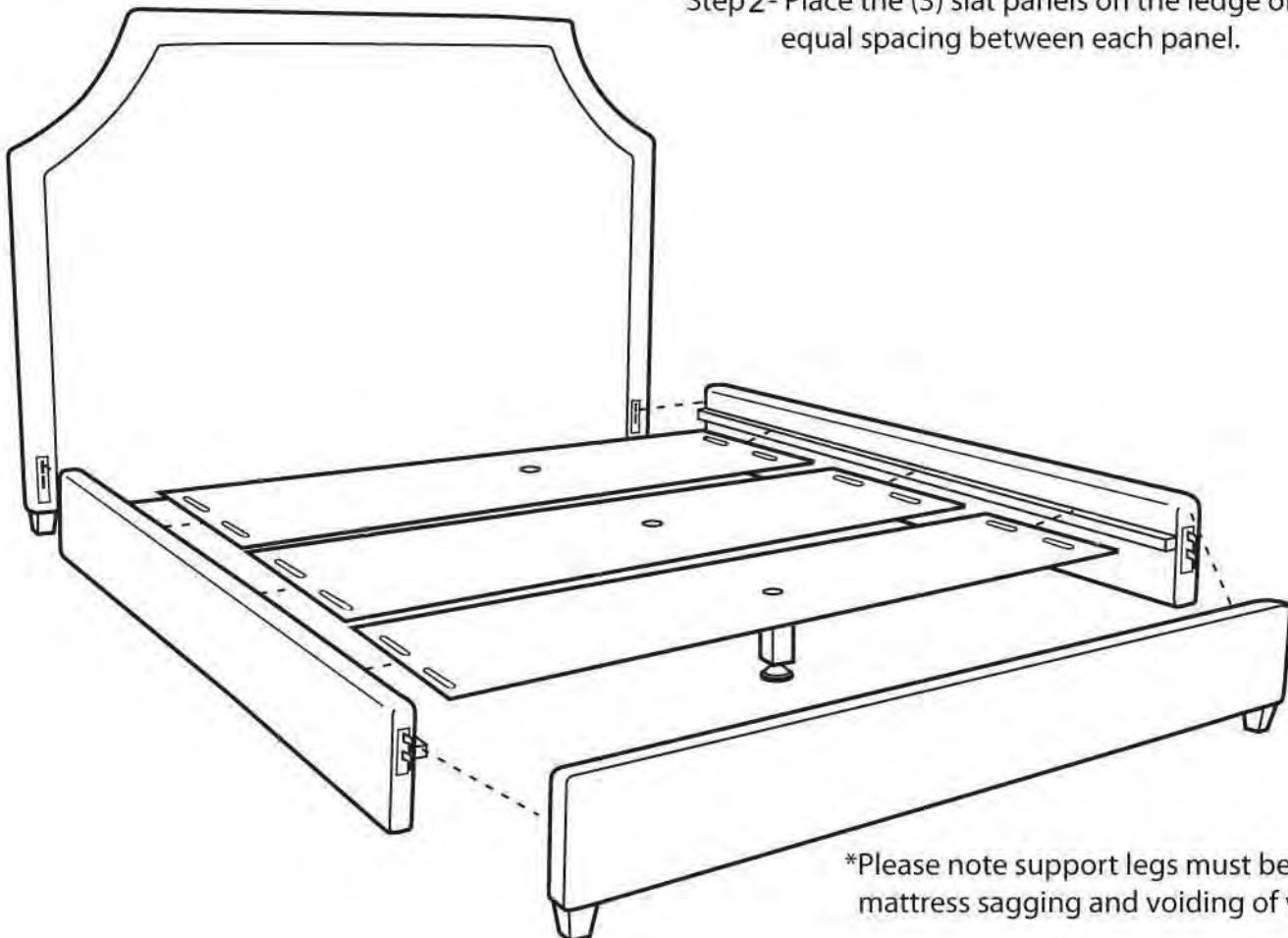


(2) Side Rails



Step 1-Assemble the headboard, footboard and side rails as shown in diagram.

Step 2- Place the (3) slat panels on the ledge of the side rails with equal spacing between each panel.



*Please note support legs must be used to prevent mattress sagging and voiding of warranty.

shown in
Coconut Crème



WELCOME TO THE MOST SOPHISTICATED SUITE

Our Henley Bedroom Collection is handcrafted with curved silhouettes and subtle-yet-textured grasscloth detailing. Every artisan-built piece features delicate hardware and natural interior finishes, allowing craftsmanship to shine.

PRODUCT DETAILS

- + Henley pieces in our Coconut Crème or Doma Verde finishes are handcrafted from solid mahogany reinforced with engineered hardwood. Pieces finished in London Fog are handcrafted from solid sunkai wood with mindi wood veneers.
- + Layered finishes are applied by hand and coated with lacquer for added protection and subtle sheen.
- + Bed frames include space to accommodate variances in mattress sizes and allow bedding to be tucked into frame.
- + We recommend pairing with our Retreat 4" Platform.
- + King Bed interior cavity measures: 79.1" w x 81.5" d.
- + Queen Bed interior cavity measures: 73" w x 81.5" d.
- + Drawers on metal, under-mounted, soft-close glides are made from solid beech wood and beech veneers reinforced with sturdy dovetail joinery.
- + Drawer fronts finished in Coconut Crème or Doma Verde are accented with petite brass pulls, while our London Fog finish is complemented by nickel-finished pulls.
- + Drawer interiors are left with a natural finish for added contrast.
- + Keep your furniture looking its best. Visit arhaus.com or speak to any Arhaus Design Consultant for care recommendations.

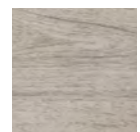
FINISHES:



Coconut Crème



Doma Verde



London Fog



KING BED

85.7" w x 88.4" d x 60" h

Coconut Crème 45HENLEYKGGKT
Doma Verde 45HENDVKGGKT
London Fog 45HENLFKGGKT

QUEEN BED

69.5" w x 88.4" d x 60" h

Coconut Crème 45HENLEYQNKKT
Doma Verde 45HENDVQNKKT
London Fog 45HENLFQNKKT



NIGHTSTAND

31" w x 21" d x 27" h

Coconut Crème 45HENLEYNT
Doma Verde 45HENDVNT



TALL DRESSER

41.5" w x 23.5" d x 54" h

Coconut Crème 45HENLEY6DRT
Doma Verde 45HENDV6DRT



WIDE DRESSER

69.5" w x 23.5" d x 36" h

Coconut Crème 45HENLEY6DRW
Doma Verde 45HENDV6DRW

BEDROOM PARTS SKUS

Super Category	Product ID	Description	Collection	Route
BEDROOM	91HENLEYGLID	HENLEY GLIDE	PT-HENLEY	PART
BEDROOM	91HENLEYKNOB	HENLEY KNOB KNOB FOR WD, NT, TD	PT-HENLEY	PART



KING BED

79" w x 83" d x 56.5" h
45JETSONKGKT

QUEEN BED

63" w x 83" d x 56.5" h
45JETSONQNKT

FOR THOSE WHO SAVOR THE BEAUTY OF SIMPLICITY

Our Jetson Bed is crafted from iron in a clean, linear design. With a matte black finish, Jetson blending seamlessly into bedroom suites of all styles.

PRODUCT DETAILS

- + Bed frames are crafted from powder-coated iron.
- + Bed frames include space to accommodate variances in mattress sizes and allow bedding to be tucked into frame.
- + We recommend pairing with our Retreat 4" Platform.
- + King Bed interior cavity measures: 77" w x 81" d.
- + Queen Bed interior cavity measures: 61" w x 81" d.
- + Keep your furniture looking its best. Visit arhaus.com or speak to any Arhaus Design Consultant for care recommendations.

NEED HELP?

Visit a store, call **866.427.4287**, or **live chat** with our Design Team to learn more.

shown in
Tara Oat



KING BED

88" w x 97" d x 45" h
Vance Forest 45KINKGVF
Tara Oat 45KINKGTO

QUEEN BED

72" w x 97" d x 45" h
Vance Forest 45KINQNVF
Tara Oat 45KINQNT0

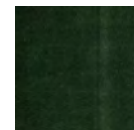
**Available by special order.*

RELAXED MODERNISM

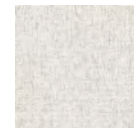
Our Kinnan Bedroom Collection celebrates craftsmanship with a low-slung silhouette, modern style, and expansive comfort. Handcrafted in America, each piece is generously upholstered offering a cozy and plush retreat. With soft curves bordering the frame and three simple channels featured on the headboard, Kinnan will make a minimalist statement in any bedroom.

PRODUCT DETAILS

- + Frames are craftsman-built in America using cross-directional hardwood laminate certified by the Sustainable Forestry Initiative.
- + We recommend pairing beds with our Retreat 4" Platform.
- + Bed frames include space to accommodate variances in mattress sizes and allow bedding to be tucked in
- + Queen beds feature a frame cavity measuring 62" w x 82.5" d with 2.5" h under-bed clearance.
- + King beds feature a frame cavity measuring 78" w x 82.5" d with 2.5" h under-bed clearance.
- + Keep your furniture looking its best. Visit arhaus.com or speak to any Arhaus Design Consultant for care recommendations.



FABRIC:
Vance Forest



PERFORMANCE
FABRIC:
Tara Oat

CRAFT A CUSTOM LOOK

This collection is available in customizable **Fabrics** and **Leathers**.

Visit a store, call **866.427.4287**, or **live chat** with our Design Team to learn more.

shown in
Julia Natural



KING BED

92" w x 94" d x 45" h

Warner Earth 45LAGOKGERT
Warner Slate 45LAGOKGSLT
Julia Natural 45LAGOKGJNAT

QUEEN BED

76" w x 94" d x 45" h

Warner Earth 45LAGOQNERT
Warner Slate 45LAGOQNLSL
Julia Natural 45LAGOQNJNAT

Where inviting warmth and contemporary comfort intertwine, our Lago Bedroom Collection awaits. With clean, soft edges that create a sense of quiet relaxation, Lago blends seamlessly into any style suite. Generous side rails anchor the design and durable Performance Fabric in your choice of color finish the look; all you need to do is relax and enjoy this beautiful addition to your space.

PRODUCT DETAILS

- + Craftsman-built frames are constructed using solid poplar and pine wood for lasting strength and stability.
- + Our Performance Fabrics are easy to clean, soft, and durable.
- + Upholstered frames contain dense, fire-retardant foam to create a luxurious, plush backdrop.
- + Box spring not required.
- + Frames include space to accommodate variances in mattress sizes and allow bedding to be tucked in.
- + Queen Bed weighs 285 lbs.; inner frame cavity measures 62.5" w x 80.5" d x 1.75" h.
- + King Bed weighs 305 lbs.; inner frame cavity measures 78.5" w x 80.5" d x 1.75" h.
- + Weight limit is 600 lbs.
- + Clearance under bed is 1". From floor to top of slats measures 10.25".
- + Keep your furniture looking its best. Visit arhaus.com or speak to any Arhaus Design Consultant for care recommendations.

FABRICS:



Warner
Earth

IMAGE NOT
AVAILABLE

Warner
Slate



Julia
Natural

NEED HELP?

Visit a store, call **866.427.4287**, or **live chat** with our Design Team to learn more.

ARHAUS®

your home

lawson



Tall Dresser

38" w x 19" d x 50.5" h

Whitewash 45LAWSWWTD
Northman Cinder 45LAWSNCTD



Wide Dresser

67.25" w x 19" d x 34" h

Whitewash 45LAWSWWWD
Northman Cinder 45LAWSNCWD



24" Nightstand

24" w x 17" d x 23.5" h

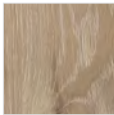
Whitewash 45LAWSWWSNT
Northman Cinder 45LAWSNCSNT

26" Nightstand

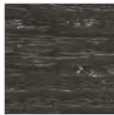
26" w x 17" d x 27" h

Whitewash 45LAWSWWNT
Northman Cinder 45LAWSNCNT

Finishes:



Whitewash



Northman
Cinder

inspired by the aesthetics of raw wood

and its stunning features—from intricate grain patterns to organic color changes and unique textures—we created the Lawson bedroom collection to celebrate natural materials and one-of-a-kind hand-craftsmanship. Built by Indonesian artisans, these case pieces are framed with solid oak and engineered hardwood surfaced with oak veneers. Clean silhouettes contrasted by textural, wave-like, hand-carved drawer-fronts are carefully sanded and layered with hand-applied tones, glaze, and lacquer, creating a gorgeously varied finish.

product details

- ▶ Craftsman-built case pieces are constructed from solid oak, oak veneers, and engineered hardwood.
- ▶ Oak surfaces are artfully sanded and finished by hand with layered tones, glaze, and clear lacquer for added protection and subtle sheen.
- ▶ Drawers feature textural, hand-carved fronts and side finger pulls to further showcase the wood's natural detailing.
- ▶ This collection is artisan-crafted from natural materials with hand-applied finishes. Individual pieces may vary in color, pattern, shape, and texture, making each truly unique.
- ▶ Natural wood may display small splits, knots, joint lines, or other organic features that will add character to your piece without affecting its quality or performance.
- ▶ Keep your furniture looking its best. Visit arhaus.com or speak to any Arhaus Design Consultant for care recommendations.



Parts Inventory

Super Category	Product ID	Description	Stat	Collection
BEDROOM	91LAWSHW	LAWSON ASSEMBLY HARDWARE	A	PT-LAWSON
BEDROOM	91LAWSGLIDE2	LAWSON GLIDES FOR NT AND SNT	A	PT-LAWSON
BEDROOM	91LAWSGLIDE1	LAWSON GLIDES FOR WD AND TD	A	PT-LAWSON



KING BED

82.25" w x 91.75" d x 45.25" h

Merino Pearl

45LENMPRLKKT

QUEEN BED

66.5" w x 91.75" d x 45.25" h

Merino Pearl

45LENMPRLQKT

SOFT AND SUMPTUOUS

The clean lines of our Lennon Bed bring the best of transitional style to any bedroom suite. Upholstered in highly textured bouclé, Lennon's pillow-back frame will inspire your most restful sleep.

PRODUCT DETAILS

- + Craftsman-built bed frames feature exposed hardwood supported by interior frames constructed using larch and engineered hardwood.
- + Bed frames include space to accommodate variances in mattress sizes and allow bedding to be tucked into frame.
- + Box spring not required.
- + King Bed interior cavity measures: 76.75" w x 80.75" d.
- + Queen Bed interior cavity measures: 61" w x 80.75" d.
- + Keep your furniture looking its best. Visit arhaus.com or speak to any Arhaus Design Consultant for care recommendations.

FABRIC:



Merino Pearl

NEED HELP?

Visit a store, call **866.427.4287**, or **live chat** with our Design Team to learn more.

ARHAUS®

your home

lenox



King Bed

80.5" w x 94.5" d x 58" h
Brilliant Black 45LENKGKT2
Dove 45LENDKGKT

Queen Bed

64.5" w x 94.5" d x 58" h
Brilliant Black 45LENQNKT2
Dove 45LENDQNKT

Finishes:



Brilliant Black



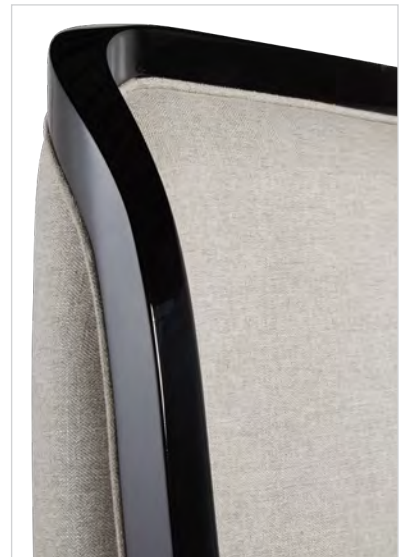
Dove

let your vintage side shine.

Inspired by a beautiful antique that captured our eye during a trip to Lille, France, Lenox is brought to life with incredible attention to detail. A tribute to the 1920s, each piece gives glory to its heritage while adding modern-day delights. Case pieces feature soft-closing, under-mounted drawer glides with antique brass-finished cap details. Beds are upholstered in soft, neutral fabric for a practical yet comfortable vibe. And, brilliant, rich finishes are true works of art.

product details

- ▶ Bed frames are craftsman-built from solid poplar with rails and inside curves handcrafted from engineered hardwood.
- ▶ Case pieces are handcrafted of solid poplar and engineered hardwood. Antique brass-finished caps accentuate each piece.
- ▶ Each piece in our Lenox collection undergoes a nine-step hand-painting process to achieve its high-sheen finish.
- ▶ Between each step, surfaces are sanded and polished to ensure a clean, smooth appearance before the next layer is added.
- ▶ A full-sheen topcoat is applied to protect the final finish.
- ▶ Drawers feature under-mounted glides to ensure a soft close.
- ▶ Wide Dressers feature felt linings and functional locks on the top two drawers.
- ▶ Keep your furniture looking its best. Visit arhaus.com or speak to any Arhaus Design Consultant for care recommendations.



ARHAUS®

your home



Tall Dresser
43" w x 21" d x 52.75" h
Brilliant Black 45LENTC
Dove 45LENTC



8-Drawer Wide Dresser
67" w x 21" d x 45.5" h
Brilliant Black 45LENWD
Dove 45LENDWD



Mirror
40" w x 1.3" d x 47" h
Brilliant Black 45LENMR
Dove 45LENDMR



Nightstand
29.25" w x 18" d x 30.25" h
Brilliant Black 45LENNT
Dove 45LENDNT



45LENMR/ 45LENDMR

Assembling Instruction Lenox Mirror/ Lenox Dove Mirror

▶▶ Wood products have a lacquer coat and a wax finish applied to the surface.
Consultant with your design consultant for cleaning instructions.

TOOLS NEEDED: Phillips head screwdriver (not provided)

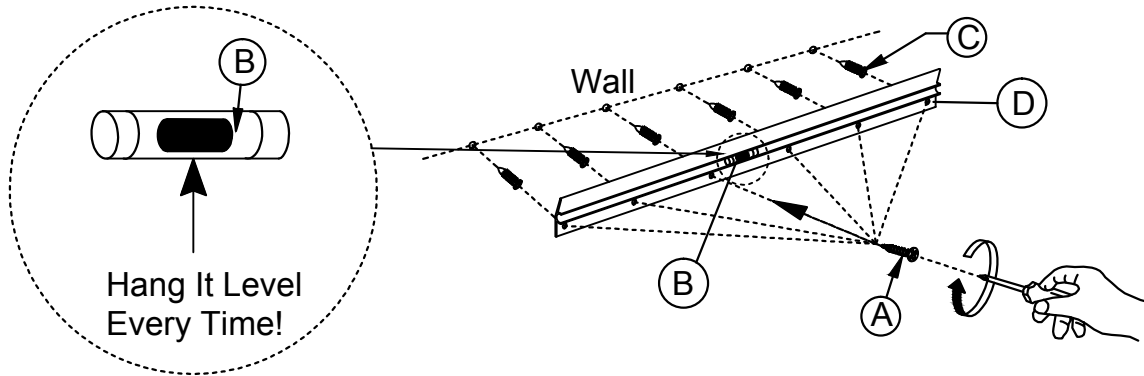
HARDWARE LIST

A =  **6 Pcs**
B =  **1 Pc**

C =  **6 Pcs**

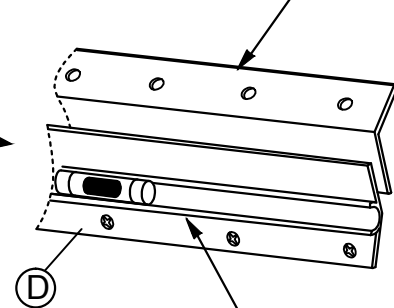
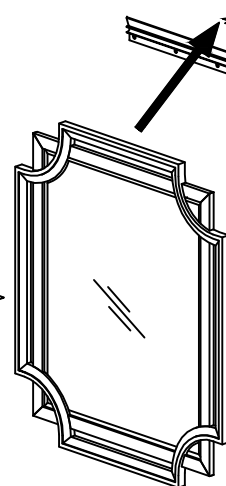
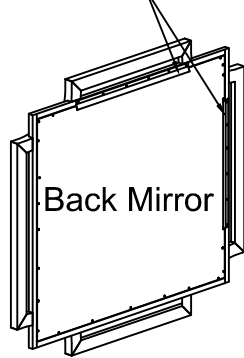
D (550mm) BRACKET = 1Pc

1

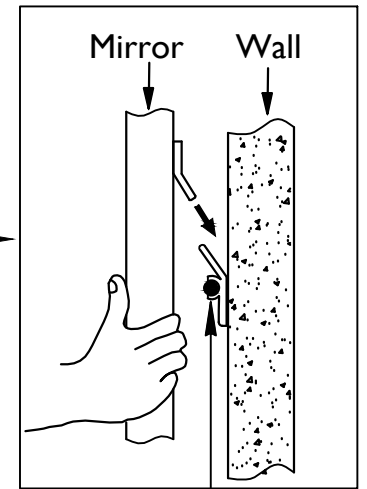


2

Attach this bracket to back of item to be hung



Attach this bracket to wall



REMOVABLE LEVEL INCLUDED

45LENNT/ 45LENDNT

Assembling Instruction Lenox Nightstand/ Lenox Dove Nightstand

►► Wood products have a lacquer coat and a wax finish applied to the surface.
Consultant with your design consultant for cleaning instructions.

TOOLS NEEDED

Phillips head screwdriver (not provided)

HARDWARE LIST

A = Plastic brackets



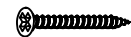
4Pcs

B = Restraint straps



2Pcs

C = Phillips screws M4x30mm



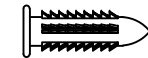
4Pcs

D = Phillips screws M4x20mm

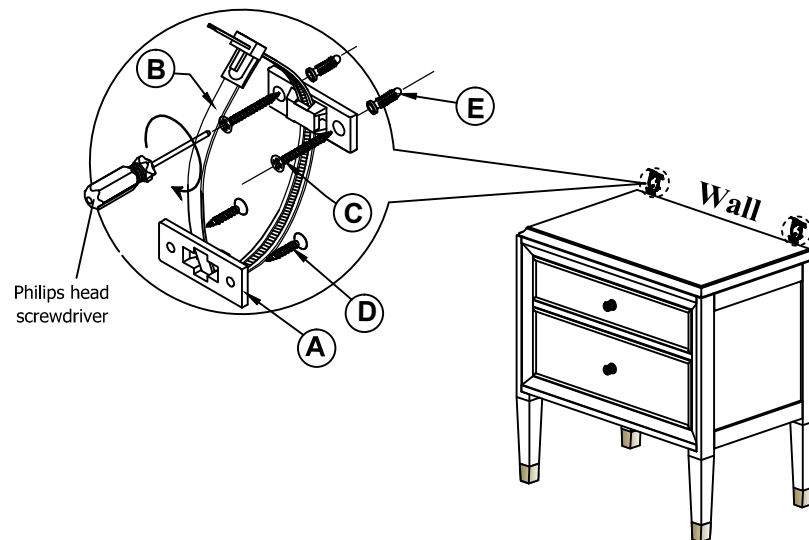


4Pcs

E = Plastic anchors



4Pcs



1. Attach one of the mounting brackets near the top back edge of the furniture piece by inserting the shorter screws.
2. Determine the final position of the furniture piece. Mark location on the wall pproximately 2" below the bracket mounted to the back of the furniture.
3. Drill a starter hole into the wall stud. If wall stud is not available, drill a hole into the wall and insert plastic anchor. Gently tap the anchor until the flange of the anchor is flush with the wall.
4. Attach the second bracket by inserting the longer screw through the bracket and into the wall.
5. Place the furniture so the bracket on the back edge is in line with the bracket on the wall.
6. Lace one end of the nylon restraint strap down through each bracket. Bring both ends together and slide the beaded end until it snap locks into the keyhole slot.
7. To double lock, return the beaded end back through the keyholes as shown.
8. Check to make sure the strap is securely laced and locked to the brackets.

Assembling Instruction Lenox Queen and King Bed

► Wood products have a lacquer coat and a wax finish applied to the surface.
Consultant with your design consultant for cleaning instructions.

TOOLS NEEDED: Phillips head screwdriver (not provided)

HARDWARE LIST

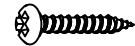
A =  **8 Pcs**

C =  **8 Pcs**

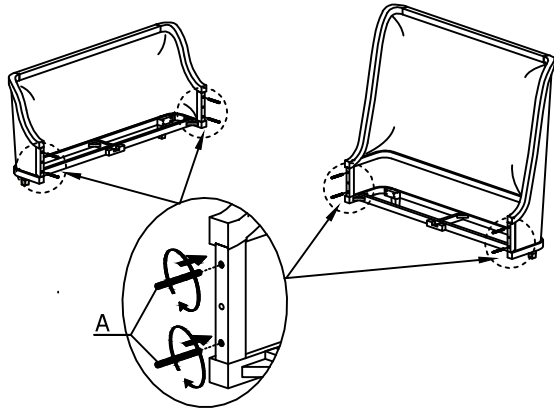
E =  **1 Pc**

F =  **3 Pcs**

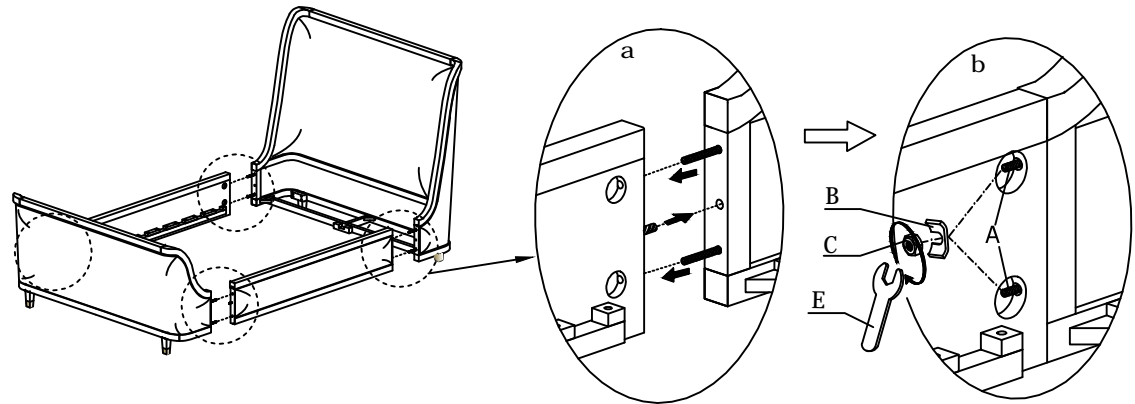
B =  **8 Pcs**

D =  **2 Pcs**

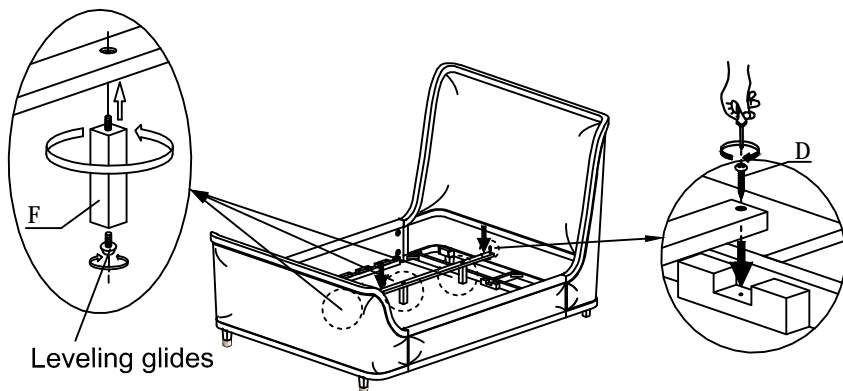
1



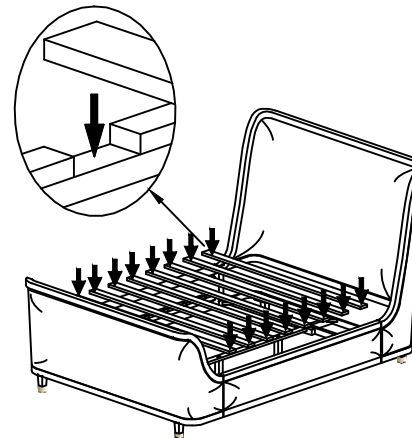
2



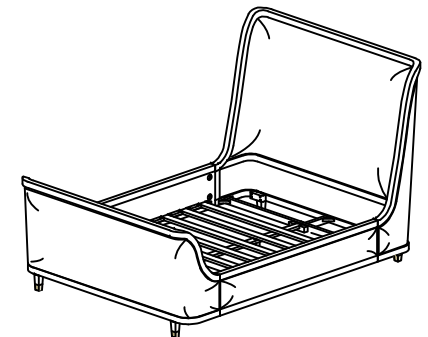
3



4



5



45LENTC/ 45LENDTC

Assembling Instruction Lenox Tall Chest/ Lenox Dove Tall Chest

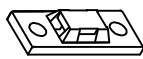
►► Wood products have a lacquer coat and a wax finish applied to the surface.
Consultant with your design consultant for cleaning instructions.

TOOLS NEEDED

Phillips head screwdriver (not provided)

HARDWARE LIST

A = Plastic brackets



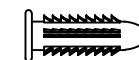
4Pcs

C = Phillips screws M4x30mm



4Pcs

E = Plastic anchors



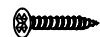
4Pcs

B = Restraint straps

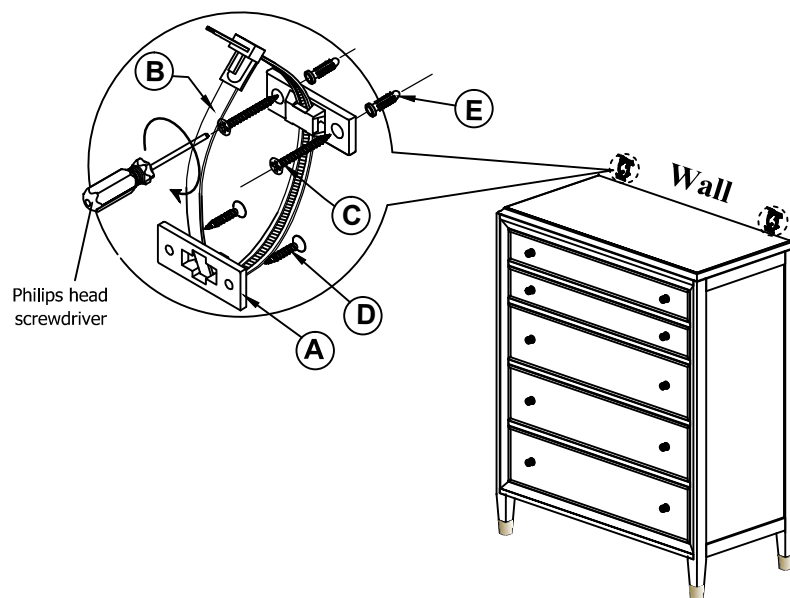


2Pcs

D = Phillips screws M4x20mm



4Pcs



1. Attach one of the mounting brackets near the top back edge of the furniture piece by inserting the shorter screws.
2. Determine the final position of the furniture piece. Mark location on the wall pproximately 2" below the bracket mounted to the back of the furniture.
3. Drill a starter hole into the wall stud. If wall stud is not available, drill a hole into the wall and insert plastic anchor. Gently tap the anchor until the flange of the anchor is flush with the wall.
4. Attach the second bracket by inserting the longer screw through the bracket and into the wall.
5. Place the furniture so the bracket on the back edge is in line with the bracket on the wall.
6. Lace one end of the nylon restraint strap down through each bracket. Bring both ends together and slide the beaded end until it snap locks into the keyhole slot.
7. To double lock, return the beaded end back through the keyholes as shown.
8. Check to make sure the strap is securely laced and locked to the brackets.

45LENWD 45LENDWD

Assembling Instruction Lenox Wide Dresser/ Lenox Dove 8 Drawer Wide Dresser

►► Wood products have a lacquer coat and a wax finish applied to the surface.
Consultant with your design consultant for cleaning instructions.

TOOLS NEEDED

Phillips head screwdriver (not provided)

HARDWARE LIST

A = Plastic brackets



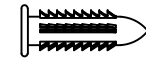
4Pcs

C = Phillips screws M4x30mm



4Pcs

E = Plastic anchors



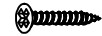
4Pcs

B = Restraint straps

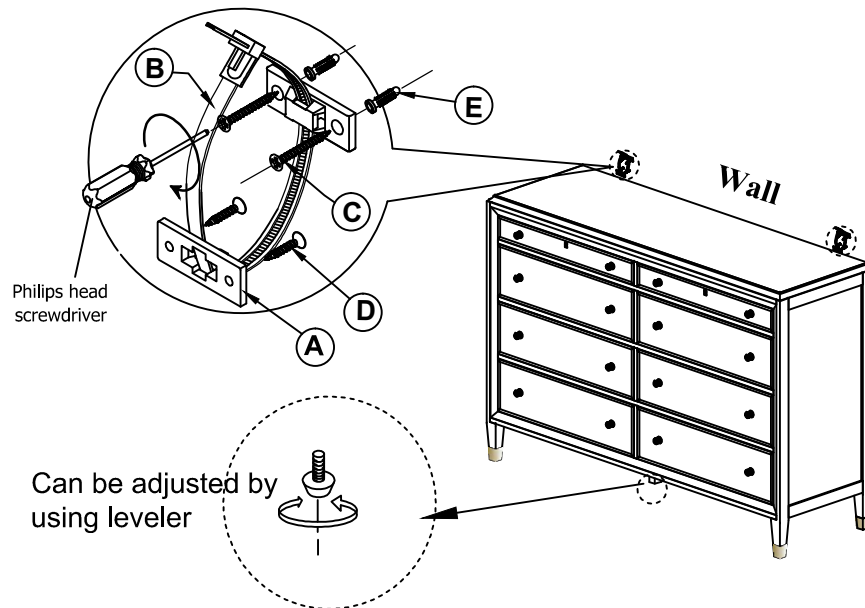


2Pcs

D = Phillips screws M4x20mm



4Pcs



1. Attach one of the mounting brackets near the top back edge of the furniture piece by inserting the shorter screws.
2. Determine the final position of the furniture piece. Mark location on the wall pproximately 2" below the bracket mounted to the back of the furniture.
3. Drill a starter hole into the wall stud. If wall stud is not available, drill a hole into the wall and insert plastic anchor. Gently tap the anchor until the flange of the anchor is flush with the wall.
4. Attach the second bracket by inserting the longer screw through the bracket and into the wall.
5. Place the furniture so the bracket on the back edge is in line with the bracket on the wall.
6. Lace one end of the nylon restraint strap down through each bracket. Bring both ends together and slide the beaded end until it snap locks into the keyhole slot.
7. To double lock, return the beaded end back through the keyholes as shown.
8. Check to make sure the strap is securely laced and locked to the brackets.

BEDROOM PARTS SKUS

Super Category	Product ID	Description	Collection	Route
BEDROOM	91LENANTITIP	LENOX ANTI TIP KIT 1 SET/BAG	PT-LENOX	PART
BEDROOM	91LENOXASMHW	LENOX ASSEMBLY HW FOR KG QN 1 SET = 1 POLY BAG	PT-LENOX	
BEDROOM	91LENAHK	LENOX BED ASSEMBLY HARDWARE KIT FOR QUEEN AND KING BED	PT-LENOX	PART
BEDROOM	91LENFAB	LENOX FABRIC FOR CLEANING	PT-LENOX	PART
BEDROOM	91LENKNOB	LENOX KNOB WIDE DRESSER, CHEST, NIGHTSTAN	PT-LENOX	PART
BEDROOM	91LENOXKNOB	LENOX KNOB FOR NT, WD, TD 1 PC & SCREWS = 1 POLY BAG	PT-LENOX	
BEDROOM	91LENMCL	LENOX METAL CAP FOR LEG	PT-LENOX	PART
BEDROOM	91LENMRHW	LENOX MIRROR HANGING HW 1 SET/BAG	PT-LENOX	PART
BEDROOM	91LENUG12	LENOX UNDERMOUNT GLIDE 12' GLIDE FOR LENOX NIGHTSTAND	PT-LENOX	PART
BEDROOM	91LENUG14	LENOX UNDERMOUNT GLIDE 14 GLIDE FR LENOX TALL CHST & WD	PT-LENOX	PART
BEDROOM	91LENKEY	LENOX WIDE DRESSER KEY	PT-LENOX	PART

ARHAUS®

your home

lincoln



King Bed

82.5" w x 88.5" d x 51.5" h
Tuesday Fog/Shadow 45LINCKGKT
Harris Oatmeal/Weathered 45LINCKGWKT
Flanigan Slate/Chestnut 45LINCKGBKT

Queen Bed

67" w x 88.5" d x 51.5" h
Tuesday Fog/Shadow 45LINCQNKKT
Harris Oatmeal/Weathered 45LINCQNWKT
Flanigan Slate/Chestnut 45LINCQNBKT

Fabrics:



Tuesday Fog

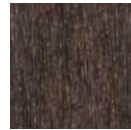


Harris Oatmeal

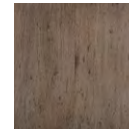


Flanigan Slate

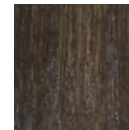
Finishes:



Shadow



Weathered



Chestnut

a modern style mix

A modern, shelter bed perfect for either master or guest bedrooms, our versatile Lincoln Bed Collection is carefully crafted with a low profile and a complementary mix of upholstered and exposed wood surfaces that is guaranteed to frame your space in style. Craftsman-built interior frames are constructed using solid larch and engineered hardwoods for superior strength and stability; while exposed wood surfaces are made from solid catalpa wood and are hand-finished with a wire-brush for a gently distressed appearance. Upholstered surfaces are expertly fitted and generously cushioned with foam and poly-fiber padding for added comfort.

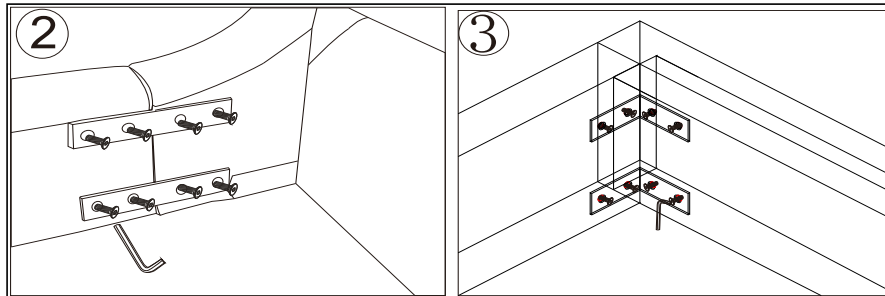
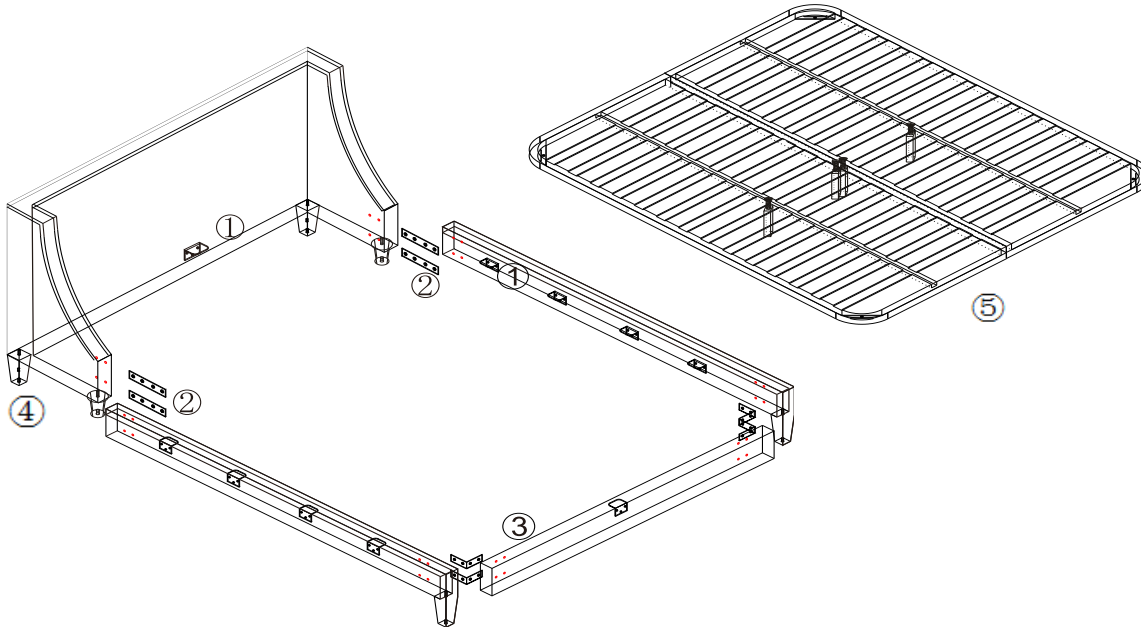
product details

- ▶ Craftsman-built bed frames feature exposed hardwood supported by interior frames constructed using larch and engineered hardwood.
- ▶ Exposed wood surfaces are painted by hand and wire-brushed for a gently distressed appearance.
- ▶ Wood finishes are lacquered for added protection and a subtle sheen.
- ▶ Bed frames are expertly upholstered and generously cushioned with foam and poly-fiber padding for added comfort.
- ▶ Bed frames are designed to accommodate for variances in mattress sizes and allow bedding to be tucked in.
- ▶ Lincoln beds do not require box springs.



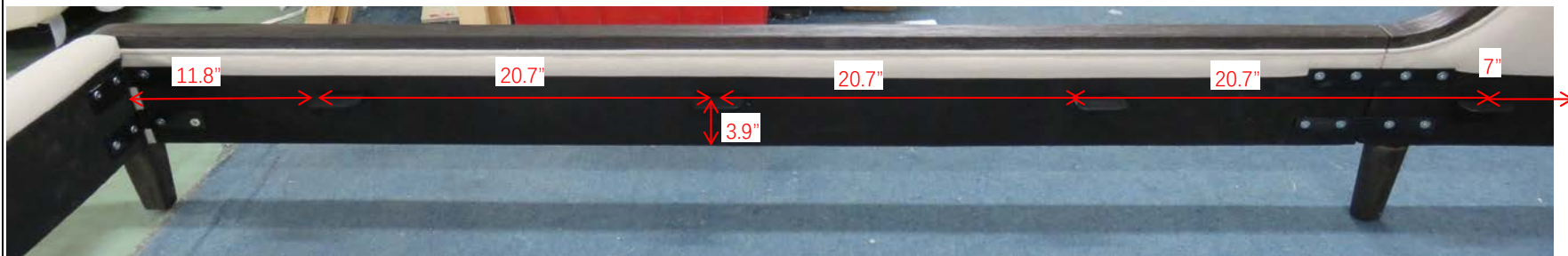
LINCOLN King Bed

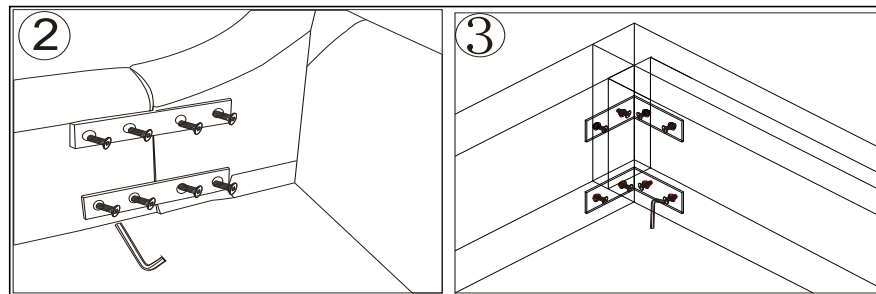
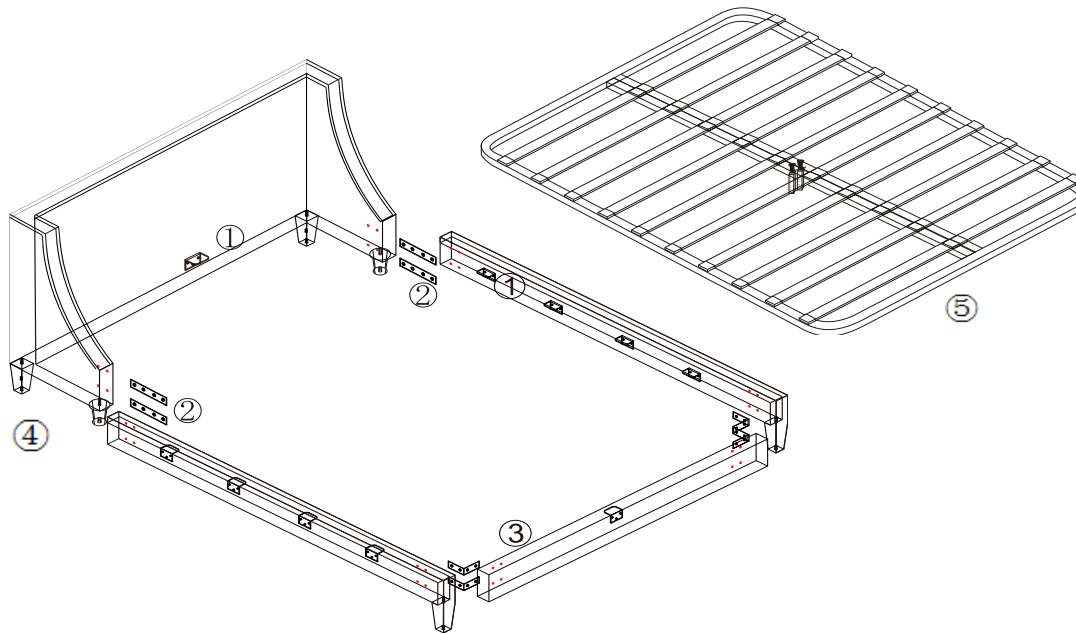
Assembly Instruction



No.	Quantity	Accessory
A	4	
B	4	
C	10	
D	30	5 x 40mm
E	32	8x30mm
F	1	
G	10	30mm
H	4	25cm
J	2	
K	2	

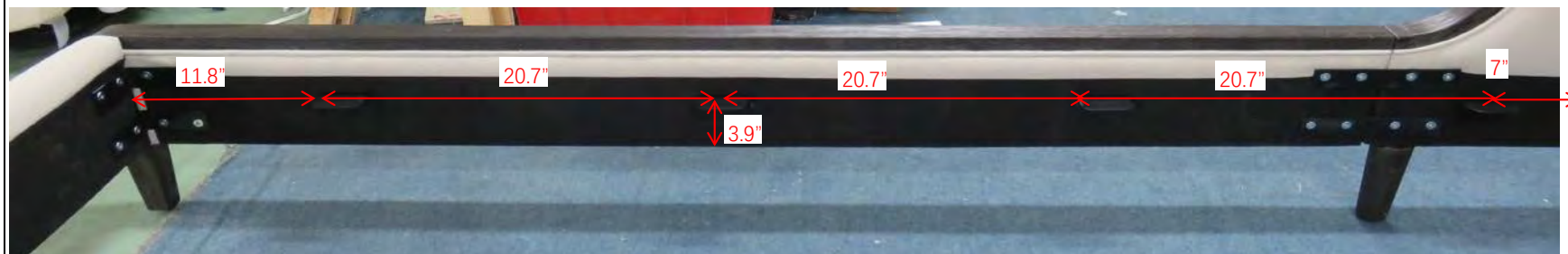
Steps	Please refer following procedures
①	Use screw D to install C on headboard, siderails, footboard, then place G on C.
②	Screw off E first and use A and E to connect headboard and siderails.
③	Screw off E first and use B and E connect siderails and footboard.
④	Install J and K legs on headboard
⑤	Install H legs on slat and put the slat on the bed





No.	Quantity	Accessory
A	4	
B	4	
C	10	
D	30	5 x 40mm
E	32	8x30mm
F	1	
G	10	30mm
H	2	25cm
J	2	
K	2	

Steps	Please refer following procedures
①	Use screw D to install C on headboard, siderails, footboard, then place G on C.
②	Screw off E first and use A and E to connect headboard and siderails.
③	Screw off E first and use B and E connect siderails and footboard.
④	Install J and K legs on headboard.
⑤	Install H legs on slat and put the slat on the bed.



BEDROOM PARTS SKUS

Super Category	Product ID	Description	Collection	Route
BEDROOM	91LINCKGHW	LINCOLN BED ASSEMBLY HW KING	PT-LINCOLN	PART
BEDROOM	91LINCQNHW	LINCOLN BED ASSEMBLY HW QUEEN	PT-LINCOLN	PART
BEDROOM	91LINCKGWDLG	LINCOLN KG FLANIGN SLAT WD LGS 4 WOOD LEGS	PT-LINCOLN	
BEDROOM	91LINCQNWDLG	LINCOLN QN FLANIGN SLAT WD LGS 4 WOOD LEGS	PT-LINCOLN	
BEDROOM	91LINCTFKWDLG	LINCOLN TUES FOG KG WOOD LEGS 4 WOOD LEGS	PT-LINCOLN	
BEDROOM	91LINCTFQWDLG	LINCOLN TUES FOG QN WOOD LEGS 4 WOOD LEGS	PT-LINCOLN	

ARHAUS®

your home

loren



King Bed
82.75" w x 85.5" d x 48" h
45LORENKG

California King Bed
78.75" w x 85.5" d x 48" h
45LORENCK

Queen Bed
66.75" w x 85.5" d x 48" h
45LORENQN

inspired by mid-century parisian artistry

Our Loren collection is a perfect representation of post-war European design—featuring artisan-crafted finishes, stately marble, luxe brass, and angled legs. Mid-century Parisian designers, influenced by a need for freedom and practicality, introduced clean, unadorned silhouettes to furnish homes of the time. Following this principle, our stunning boudoir collection emphasizes superior craftsmanship with pieces built from parawood surfaced with elegant ash veneers. Hand-applied, whitewash finishes are sealed and coated with clear lacquer for added protection and a subtle sheen—evoking a clean and contemporary feel.

product details

- ▶ Our Loren collection is crafted by Vietnamese artisans from parawood surfaced with elegant ash veneers.
- ▶ Loren case pieces are topped with stunning grigio bluette marble.
- ▶ Whitewash finishes are applied by hand, sealed, and coated with clear lacquer for added protection and a subtle sheen that evokes a clean and contemporary aesthetic.
- ▶ Mid-century European designs are accented by antique brass hardware and angled legs.
- ▶ Drawers built with French dovetail joinery at the front and English dovetails at the back are mounted on full-extension, soft-close glides.
- ▶ All dressers are fitted with a 'secret' top drawer compartment, lined with a soft felt pad for the storage of jewelry and other treasured valuables.
- ▶ Queen bed frame cavity measures 61" w x 80.5" d
- ▶ King bed frame cavity measures 77" w x 80.5" d
- ▶ California King bed frame cavity measures 73" w x 84.5" d
- ▶ Keep your furniture looking its best. Visit arhaus.com or speak to any Arhaus Design Consultant for care recommendations.



ARHAUS®

your home



Tall Dresser
40" w x 20" d x 51" h
45LORENTD



Wide Dresser
64" w x 20" d x 35.5" h
45LORENWD



Nightstand
30" w x 20" d x 25" h
45LORENNT



Open Nightstand
26" w x 20" d x 25" h
45LORENONT

ARHAUS

your home

LOREN KING/ CAL KING BED

Thank you for choosing this quality product. Be sure to check all packaging materials carefully for small parts that may have become loose during shipment and place all parts on a non-abrasive surface.

⚠ WARNING: These bed parts can be cumbersome and heavy to some people, therefore the assistance of two or more people is recommended in order to prevent personal injury and ensure the bed are not damaged during the assembly process.

PARTS INCLUDED

- A. [1] HEADBOARD
- B. [1] FOOTBOARD
- C. [1 SET] SIDE RAILS
- D. [1] SUPPORT SLAT
- E. [1] LEG
- F. [9] BED SLATS

HARDWARE PARTS

- 1. [8] THREADED ROD 
- 2. [8] HEX NUTS 
- 3. [8] LOCK WASHER 
- 4. [8] PLAIN WASHER 
- 5. [1] WRENCH 
- 6. [22] SCREW 

FIGURE 01

ASSEMBLY INSTRUCTION

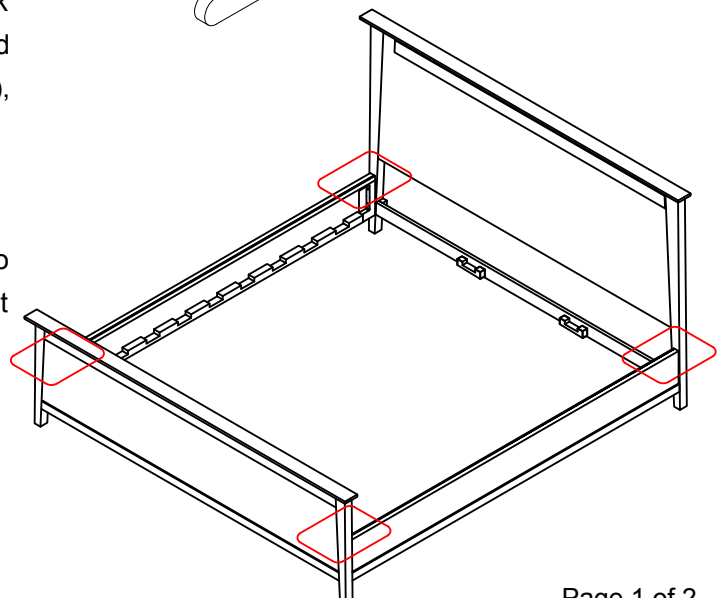
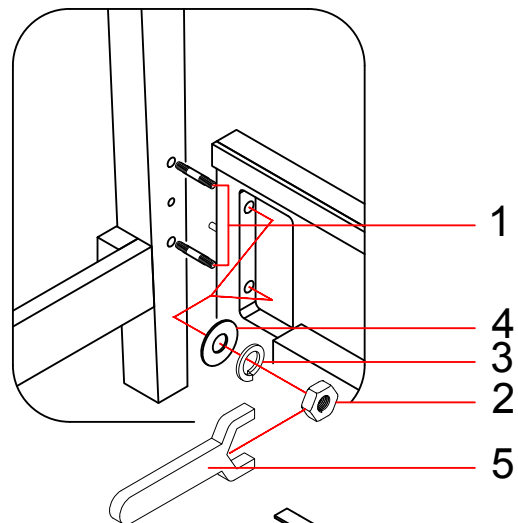
STEP 1:

Place the Headboard (A) upright in the position you wish the bed to be in when fully assembled. The headboard bed fast hardware should be facing inside, toward the mattress. Secure the Threaded Rod (1) to the fixed nut in the Headboard (A) by simply turning it manually. Raise the Side Rail (C) up and set the Rod (1) to align with the bore holes on the end of the Side Rails (C). Put the Side Rails (C) up against the Headboard (A) so the Threaded Rod (1) go through the bore hole. Insert Plain Washer (4) and Lock Washer (3), then engage Hexagonal Nuts (2) on Threaded Rod (1) and tighten all Hex Nuts (2) with Open Wrench (5), as illustrated in **FIGURE 01**.

STEP 2:

Repeat the above procedure with the other Side Rail (C) to attach it to the Headboard (A), and then repeat to connect Side Rails (C) to the foot board (B).

NOTE: Tighten all the nuts to snug fit.



LOREN KING/ CAL KING BED

STEP 3:

Set the Support Slats (D) on the wooden brackets of both Headboard (A) and Foot Board (B) but before that, install the Leg (E) on the center cavity of Support Slat (D) as shown in **FIGURE 02 (FIGURE 02-A - FIGURE 02-B)**.

FIGURE 02 - A

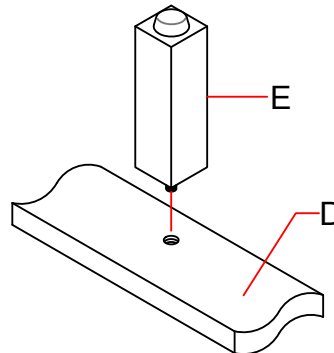


FIGURE 02 - B

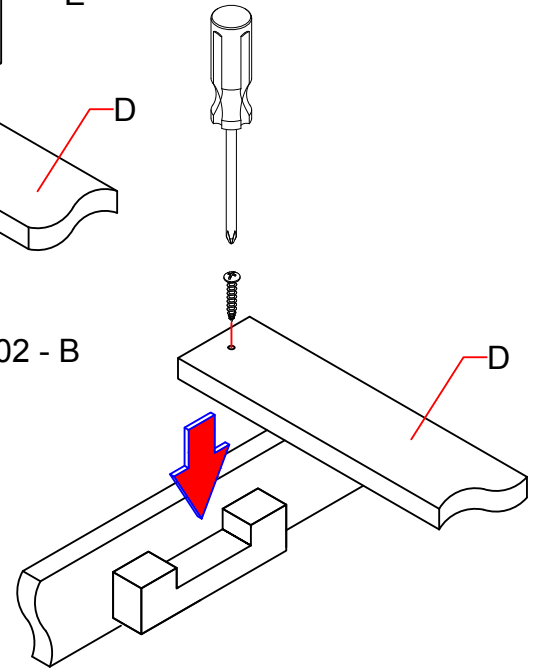
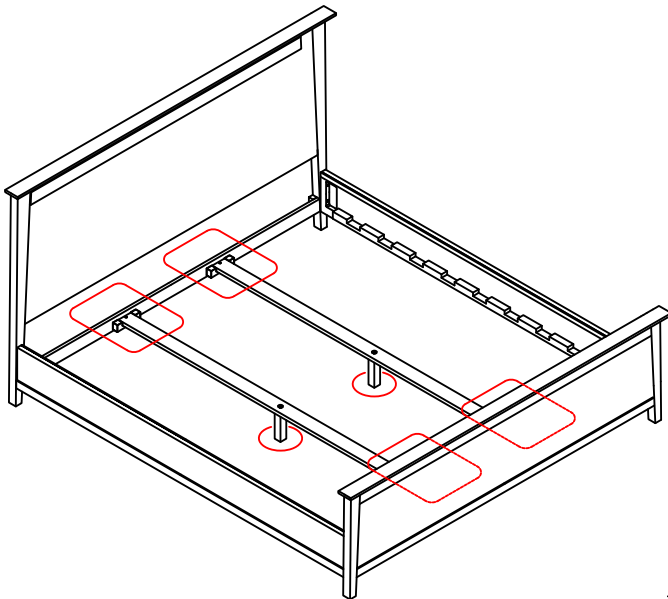


FIGURE 02



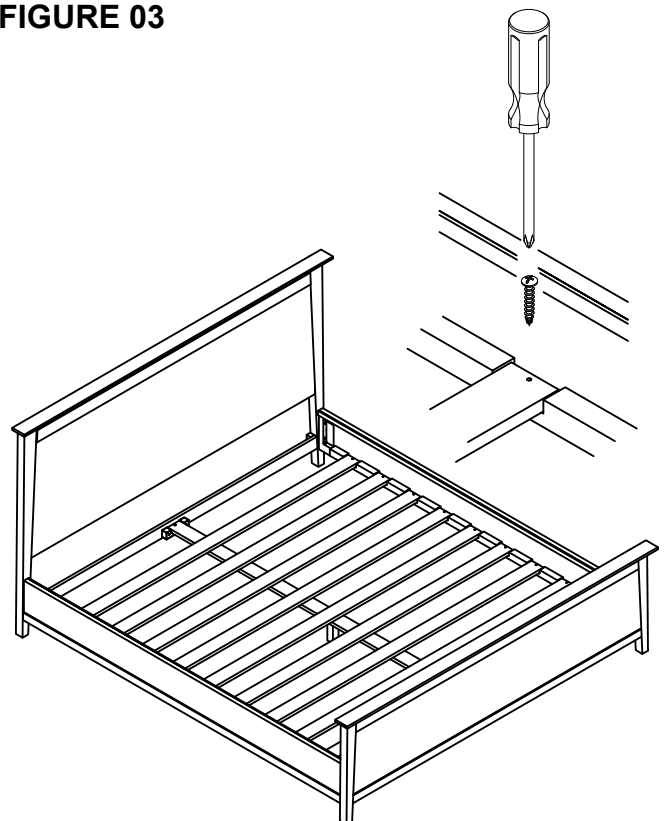
STEP 4:

On inside face of both Side Rails (C) there is a cleat pre-installed and cavities designed to hold the individual Bed Slats (F). Gently set the Bed Slats (F) on both cavities of the Side Rails (C) and secure this with screws provided as shown in **FIGURE 03**.

CARE INSTRUCTIONS

- Hardware may loosen over time, periodically check that all connections are tight or tighten them if necessary.
- Wipe with a soft, dry cloth, to protect the finish and avoid the use of all chemicals or any household cleaners.

FIGURE 03



ARHAUS®

your home

LOREN NIGHTSTAND

Thank you for choosing this quality product. Be sure to check all packaging materials carefully for small parts that may have become loose during shipment and place all parts on a non-abrasive surface.

⚠ WARNING: These case parts can be cumbersome and heavy to some people, therefore the assistance of two or more people is recommended in order to prevent personal injury and ensure the case are not damaged during the assembly process.

HARDWARE LIST

- [4] BRACKET
- [2] RESTRAINT STRAP
- [4 SHORTER] PHILIPS SCREWS
- [4 LONGER] PHILIPS SCREWS
- [4] PLASTIC ANCHOR

INSTALLATION INSTRUCTIONS

1. From the desired location, pre-set the unit 16" to 20" from the wall, examine the alignment of the doors and drawers, if leveling is necessary. If needed, slightly tilt the base and turn the head of the levelers clockwise to raise the furniture and counter clockwise to lower it. Adjust all levelers until the correct level or flatness is achieved. Repeat adjustment procedures if necessary, after the furniture settles on rugs or on carpeted surface. Please see **FIGURE 01**

ANTI TIP KIT INSTALLATION

2. Attach two of the mounting brackets near the top back edge of the furniture piece using the shorter screw.
3. Determine the final position of the furniture piece and mark locations on the wall approximately 2" below the brackets mounted to the back of the furniture piece.
4. Drill a shorter hole into the dry wall stud. If wall stud is not available, drill a hole into the solid wall and insert plastic anchor. Gently tap the anchor until the flange is flush with the wall.
5. Attach the second set of brackets using the longer screw through the bracket hole and into the wall.
6. Place the furniture so that the brackets on the back edge are in line with the brackets in the wall.
7. Lace one end of the nylon restraint strap down through each bracket. Bring both ends together and slide the beaded end until it snap locks into the keyhole slot.
9. To double lock; return the beaded end back through the keyholes as shown.
10. Check to make sure the straps are securely laced and locked to the brackets. Please see **FIGURE 02**.

CARE INSTRUCTIONS

- Dust often using a clean, soft, dry lint-free cloth.
- Blot spills immediately, and wipe with a clean, damp, cloth.
- We do not recommend the use of chemical cleansers, abrasives, or furniture polish on our lacquered finish.

FIGURE 01

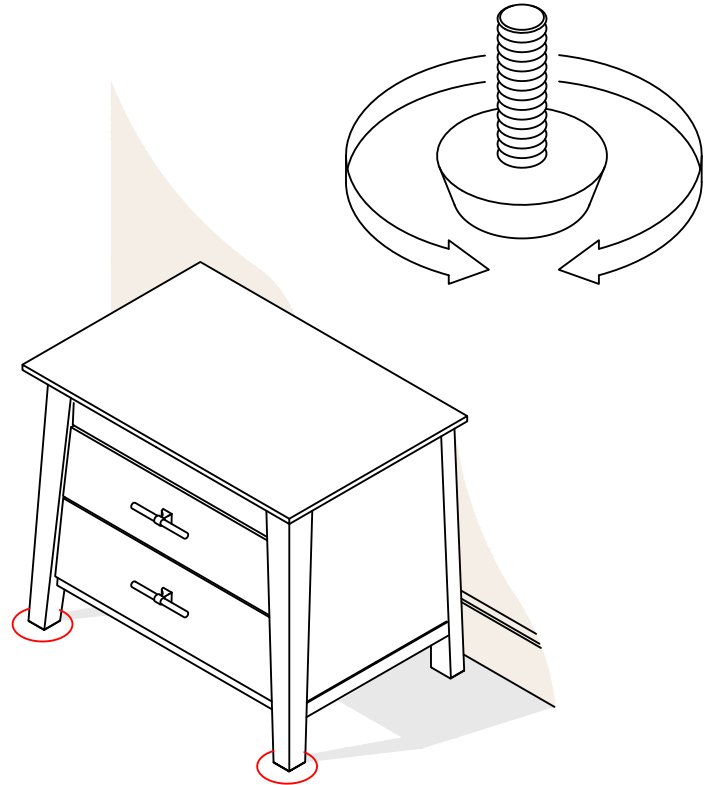
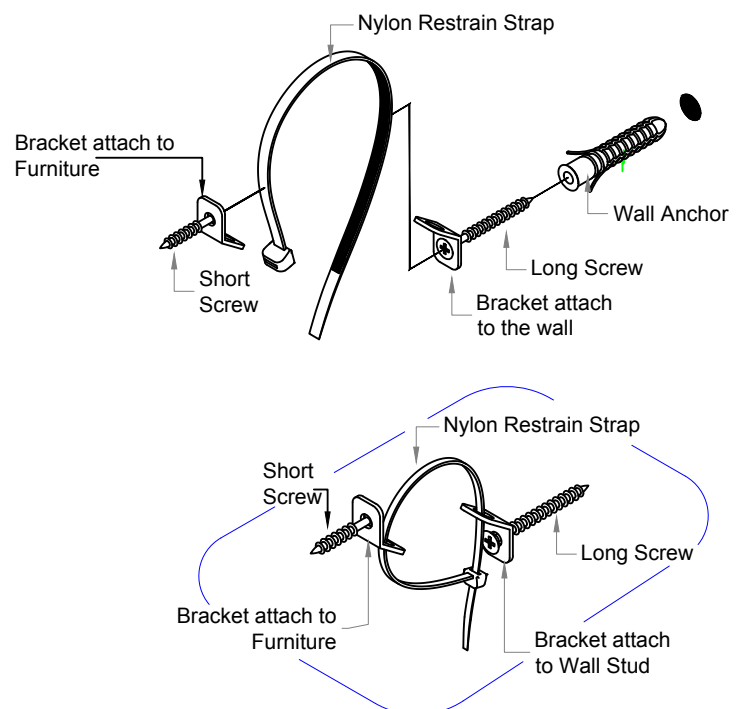


FIGURE 02



Thank you for your purchase
www.arhaus.com

ARHAUS®

your home

LOREN OPEN NIGHSTAND

Thank you for choosing this quality product. Be sure to check all packaging materials carefully for small parts that may have become loose during shipment and place all parts on a non-abrasive surface.

⚠ WARNING: These case parts can be cumbersome and heavy to some people, therefore the assistance of two or more people is recommended in order to prevent personal injury and ensure the case are not damaged during the assembly process.

HARDWARE LIST

- [4] BRACKET
- [2] RESTRAINT STRAP
- [4 SHORTER] PHILIPS SCREWS
- [4 LONGER] PHILIPS SCREWS
- [4] PLASTIC ANCHOR

INSTALLATION INSTRUCTIONS

1. From the desired location, pre-set the unit 16" to 20" from the wall, examine the alignment of the doors and drawers, if leveling is necessary. If needed, slightly tilt the base and turn the head of the levelers clockwise to raise the furniture and counter clockwise to lower it. Adjust all levelers until the correct level or flatness is achieved. Repeat adjustment procedures if necessary, after the furniture settles on rugs or on carpeted surface. Please see **FIGURE 01**

ANTI TIP KIT INSTALLATION

2. Attach two of the mounting brackets near the top back edge of the furniture piece using the shorter screw.
3. Determine the final position of the furniture piece and mark locations on the wall approximately 2" below the brackets mounted to the back of the furniture piece.
4. Drill a shorter hole into the dry wall stud. If wall stud is not available, drill a hole into the solid wall and insert plastic anchor. Gently tap the anchor until the flange is flush with the wall.
5. Attach the second set of brackets using the longer screw through the bracket hole and into the wall.
6. Place the furniture so that the brackets on the back edge are in line with the brackets in the wall.
7. Lace one end of the nylon restraint strap down through each bracket. Bring both ends together and slide the beaded end until it snap locks into the keyhole slot.
9. To double lock; return the beaded end back through the keyholes as shown.
10. Check to make sure the straps are securely laced and locked to the brackets. Please see **FIGURE 02**.

CARE INSTRUCTIONS

- Dust often using a clean, soft, dry lint-free cloth.
- Blot spills immediately, and wipe with a clean, damp, cloth.
- We do not recommend the use of chemical cleansers, abrasives, or furniture polish on our lacquered finish.

FIGURE 01

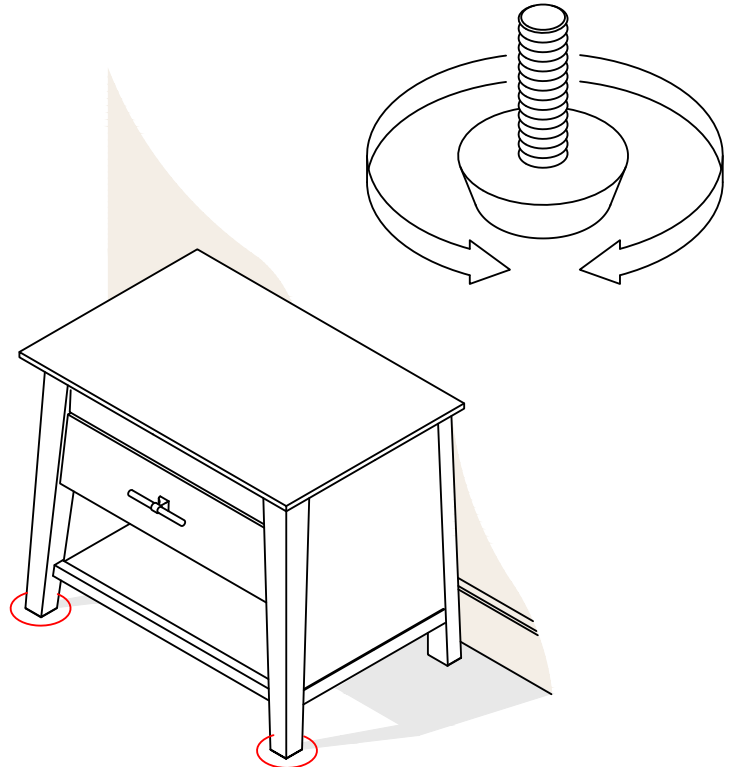
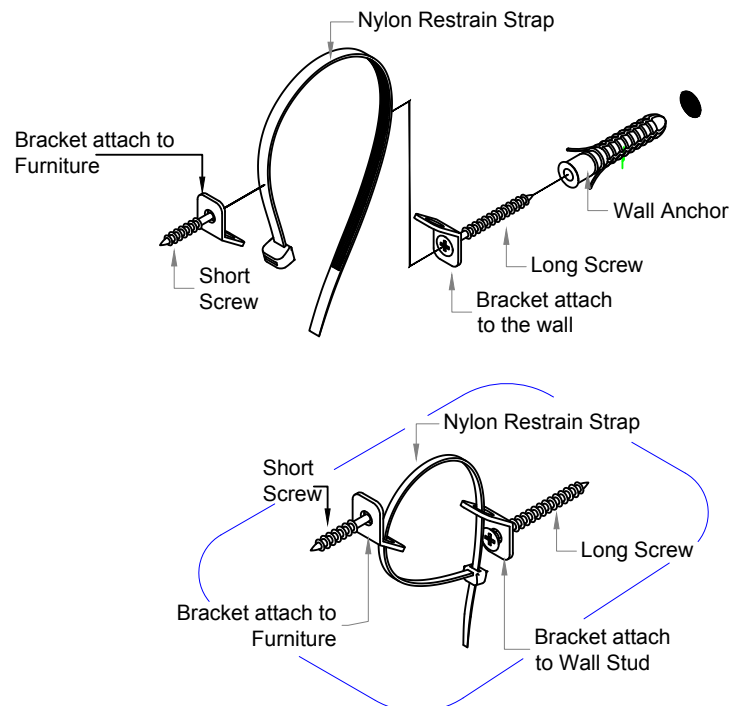


FIGURE 02



Thank you for your purchase
www.arhaus.com

ARHAUS

your home

AVENTINE QUEEN BED

Thank you for choosing this quality product. Be sure to check all packaging materials carefully for small parts that may have become loose during shipment and place all parts on a non-abrasive surface.

⚠ WARNING: These bed parts can be cumbersome and heavy to some people, therefore the assistance of two or more people is recommended in order to prevent personal injury and ensure the bed are not damaged during the assembly process.

PARTS INCLUDED

- A. HEADBOARD
- B. FOOTBOARD
- C. SIDE RAILS
- D. SUPPORT SLAT
- E. LEG
- F. PLAT FORM PANEL

HARDWARE PARTS

- 1. [4] THREADED ROD 
- 2. [4] HEX NUTS 
- 3. [4] LOCK WASHER 
- 4. [4] CURVED SLOTTED WASHER 
- 5. [1] WRENCH 
- 6. [2] SCREW 

ASSEMBLY INSTRUCTION

STEP 1:

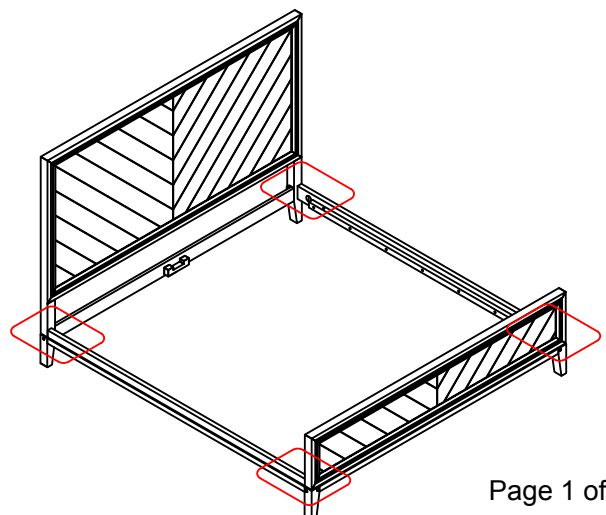
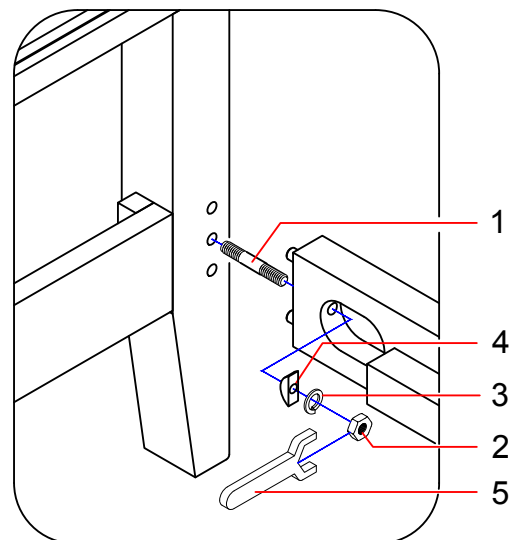
Place the Headboard (A) upright in the position you wish the bed to be in when fully assembled. The headboard bed fast hardware should be facing inside, toward the mattress. Secure the Threaded Rod (1) to the fixed nut in the Headboard (A) by simply turning it manually. Raise the Side Rail (C) up and set the Rod (1) to align with the bore holes on the end of the Side Rails (C). Put the Side Rails (C) up against the Headboard (A) so the Threaded Rod (1) go through the bore hole. Insert Curved Slotted Washer (4) and Lock Washer (3), then engage Hexagonal Nuts (2) on Threaded Rod (1) and tighten the Hexagonal Nuts (2) with Open Wrench (5), as illustrated in FIGURE 01.

STEP 2:

Repeat the above procedure with the other Side Rail (C) to attach it to the Headboard (A), and then repeat to connect Side Rails (C) to the foot board (B).

NOTE: Tighten all the nuts to snug fit.

FIGURE 01



ARHAUS®

your home

AVENTINE QUEEN BED

STEP 3:

Set the Support Slats (D) on the metal brackets of both Headboard (A) and Foot Board (B) but before that, install the Leg (E) on the center cavity of Support Slats (D) as shown in FIGURE 02 (FIGURE 02-A - FIGURE 02-B).

FIGURE 02

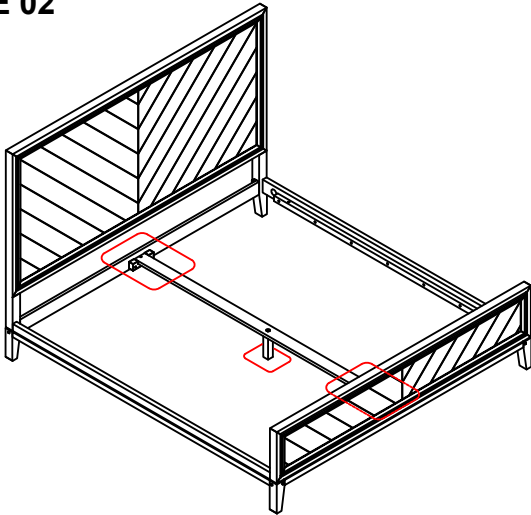


FIGURE 02 - A

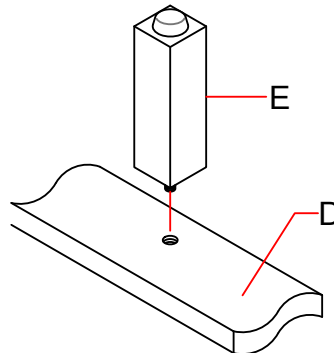
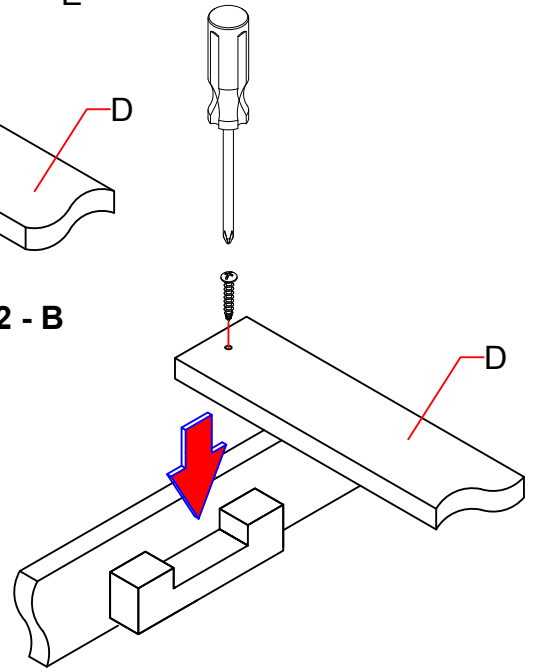


FIGURE 02 - B



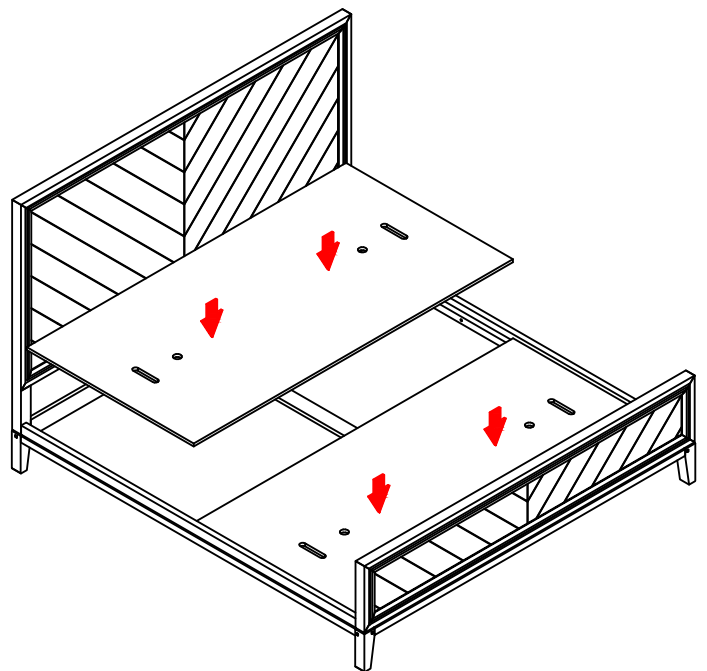
STEP 4:

On inside face of both Side Rails (C) there is a cleat pre-installed designed to hold the Plat Form Panel (F). Gently set the Plat Form Panel (F) on both sides of the Side Rails (C) as shown in FIGURE 03.

CARE INSTRUCTIONS

- Hardware may loosen over time, periodically check that all connections are tight or tighten them if necessary.
- Wipe with a soft, dry cloth, to protect the finish and avoid the use of all chemicals or any household cleaners.

FIGURE 03



ARHAUS®

your home

LOREN TALL DRESSER

Thank you for choosing this quality product. Be sure to check all packaging materials carefully for small parts that may have become loose during shipment and place all parts on a non-abrasive surface.

⚠ WARNING: These case parts can be cumbersome and heavy to some people, therefore the assistance of two or more people is recommended in order to prevent personal injury and ensure the case are not damaged during the assembly process.

HARDWARE LIST

- [4] BRACKET
- [2] RESTRAINT STRAP
- [4 SHORTER] PHILIPS SCREWS
- [4 LONGER] PHILIPS SCREWS
- [4] PLASTIC ANCHOR

INSTALLATION INSTRUCTIONS

1. From the desired location, pre-set the unit 16" to 20" from the wall, examine the alignment of the doors and drawers, if leveling is necessary. If needed, slightly tilt the base and turn the head of the levelers clockwise to raise the furniture and counter clockwise to lower it. Adjust all levelers until the correct level or flatness is achieved. Repeat adjustment procedures if necessary, after the furniture settles on rugs or on carpeted surface. Please see **FIGURE 01**.

ANTI TIP KIT INSTALLATION

2. Attach two of the mounting brackets near the top back edge of the furniture piece using the shorter screw.
3. Determine the final position of the furniture piece and mark locations on the wall approximately 2" below the brackets mounted to the back of the furniture piece.
4. Drill a shorter hole into the dry wall stud. If wall stud is not available, drill a hole into the solid wall and insert plastic anchor. Gently tap the anchor until the flange is flush with the wall.
5. Attach the second set of brackets using the longer screw through the bracket hole and into the wall.
6. Place the furniture so that the brackets on the back edge are in line with the brackets in the wall.
7. Lace one end of the nylon restraint strap down through each bracket. Bring both ends together and slide the beaded end until it snap locks into the keyhole slot.
9. To double lock; return the beaded end back through the keyholes as shown.
10. Check to make sure the straps are securely laced and locked to the brackets. Please see **FIGURE 02**.

CARE INSTRUCTIONS

- Dust often using a clean, soft, dry lint-free cloth.
- Blot spills immediately, and wipe with a clean, damp, cloth.
- We do not recommend the use of chemical cleansers, abrasives, or furniture polish on our lacquered finish.

FIGURE 01

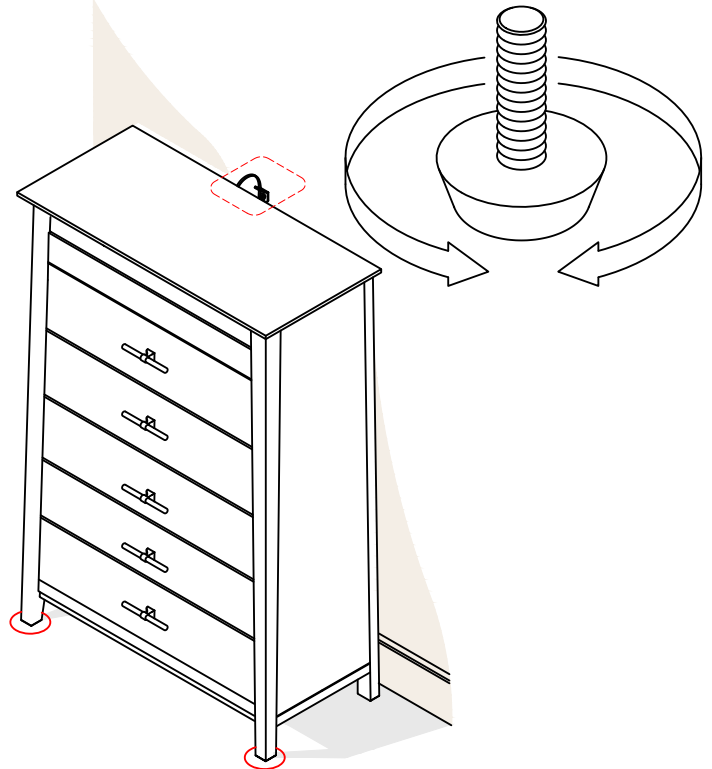
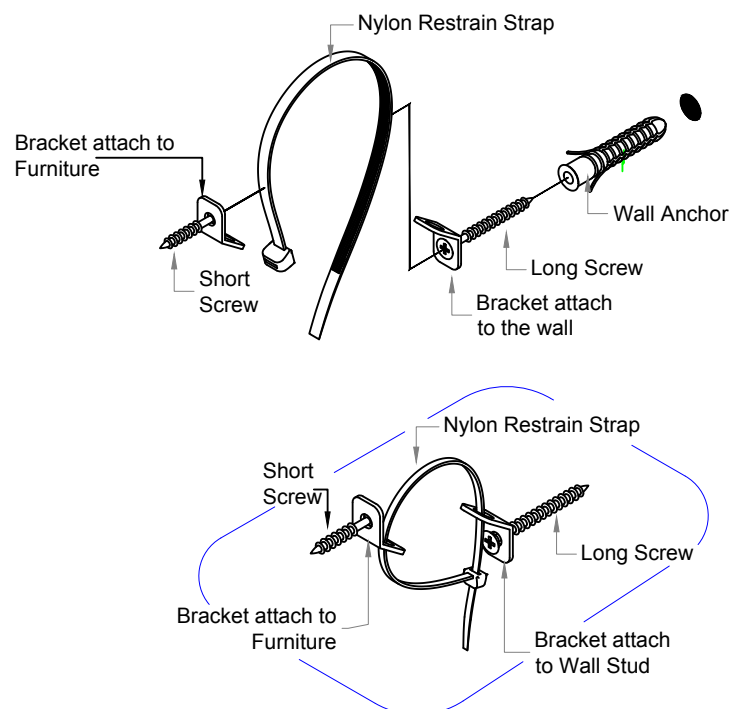


FIGURE 02



Thank you for your purchase
www.arhaus.com

ARHAUS®

your home

LOREN WIDE DRESSER

Thank you for choosing this quality product. Be sure to check all packaging materials carefully for small parts that may have become loose during shipment and place all parts on a non-abrasive surface.

⚠️ WARNING: These case parts can be cumbersome and heavy to some people, therefore the assistance of two or more people is recommended in order to prevent personal injury and ensure the case are not damaged during the assembly process.

HARDWARE LIST

- [4] BRACKET
- [2] RESTRAINT STRAP
- [4 SHORTER] PHILIPS SCREWS
- [4 LONGER] PHILIPS SCREWS
- [4] PLASTIC ANCHOR

INSTALLATION INSTRUCTIONS

1. Tilt or gently lay the chest of drawers on its back and install the leg in the middle as shown in **FIGURE 01**.
2. From the desired location, pre-set the unit 16" to 20" from the wall, examine the alignment of the doors and drawers, if leveling is necessary. If needed, slightly tilt the base and turn the head of the levelers clockwise to raise the furniture and counter clockwise to lower it. Adjust all levelers until the correct level or flatness is achieved. Repeat adjustment procedures if necessary, after the furniture settles on rugs or on carpeted surface. Please see **FIGURE 02**.

ANTI TIP KIT INSTALLATION

3. Attach two of the mounting brackets near the top back edge of the furniture piece using the shorter screw.
4. Determine the final position of the furniture piece and mark locations on the wall approximately 2" below the brackets mounted to the back of the furniture piece.
5. Drill a shorter hole into the dry wall stud. If wall stud is not available, drill a hole into the solid wall and insert plastic anchor. Gently tap the anchor until the flange is flush with the wall.
6. Attach the second set of brackets using the longer screw through the bracket hole and into the wall.
7. Place the furniture so that the brackets on the back edge are in line with the brackets in the wall.
8. Lace one end of the nylon restraint strap down through each bracket. Bring both ends together and slide the beaded end until it snap locks into the keyhole slot.
9. To double lock; return the beaded end back through the keyholes as shown.
10. Check to make sure the straps are securely laced and locked to the brackets. Please see **FIGURE 03**.

CARE INSTRUCTIONS

- Dust often using a clean, soft, dry lint-free cloth.
- Blot spills immediately, and wipe with a clean, damp, cloth.
- We do not recommend the use of chemical cleansers, abrasives, or furniture polish on our lacquered finish.

FIGURE 01

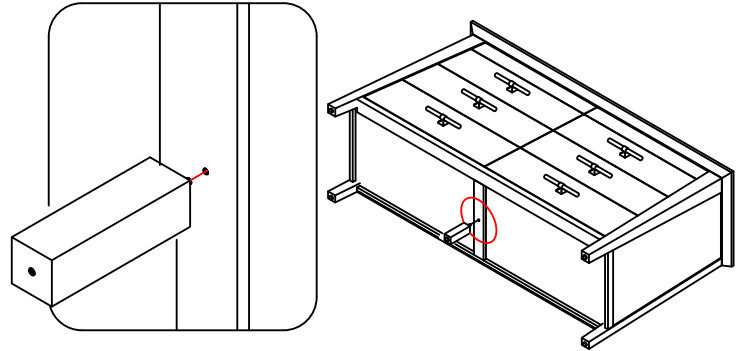


FIGURE 02

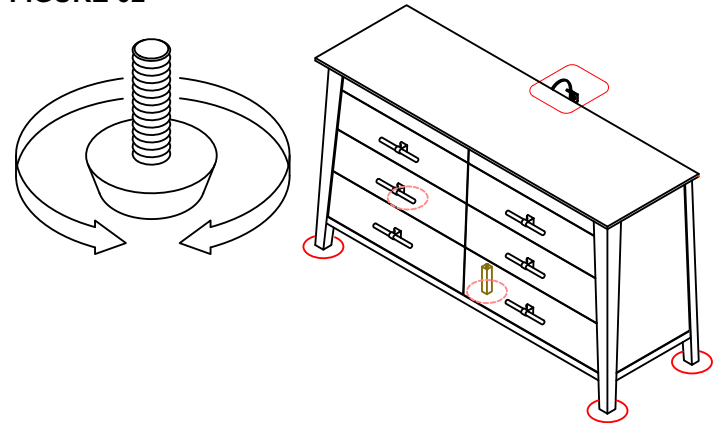
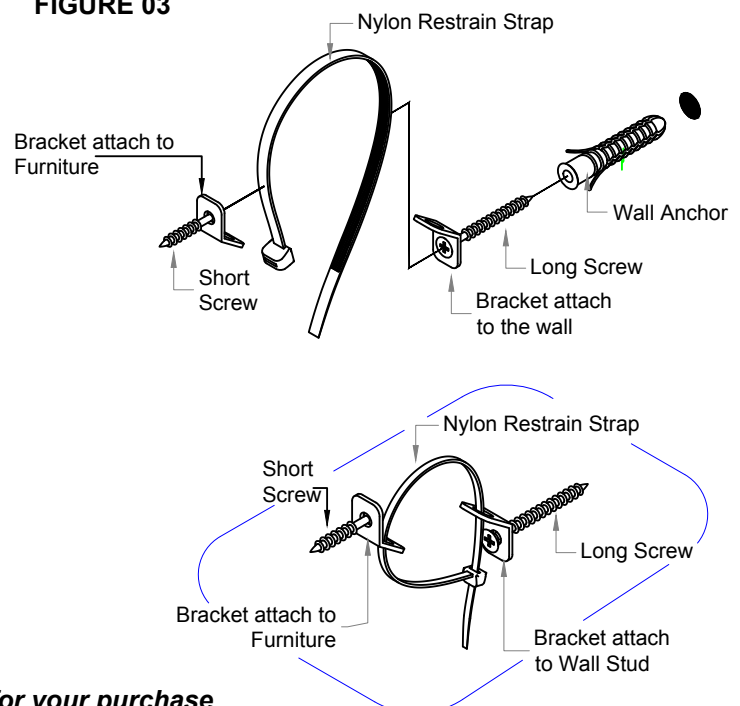


FIGURE 03



Thank you for your purchase
www.arhaus.com

BEDROOM PARTS SKUS

Super Category	Product ID	Description	Collection	Route
BEDROOM	91LORECKSLAT	LOREN CALI KING BED SLATS	PT-LOREN	
BEDROOM	91LORECKCTSP	LOREN CK BED CENTR SUPPORT LEG	PT-LOREN	
BEDROOM	91LORENASHW	LOREN KING & CK ASSEMBLY HW 1 PACK	PT-LOREN	
BEDROOM	91LOREKGLAT	LOREN KING BED SLATS	PT-LOREN	
BEDROOM	91LOREKGCTSP	LOREN KING CENTER SUPPORT LEG	PT-LOREN	
BEDROOM	91LORENTPULL	LOREN NT DRAWER PULL 1 PIECE	PT-LOREN	
BEDROOM	91LORENTSLID	LOREN NT DRAWER SLIDES 1 = PAIR OF SLIDES	PT-LOREN	
BEDROOM	91LOREONTPLL	LOREN OPEN NT DRAWER PULL 1 PIECE	PT-LOREN	
BEDROOM	91LOREONTSLD	LOREN OPEN NT DRAWER SLIDES 1 = PAIR OF SLIDES	PT-LOREN	
BEDROOM	91LORENQASHW	LOREN QUEEN ASSEMBLY HW 1 PACK	PT-LOREN	
BEDROOM	91LOREQNSLAT	LOREN QUEEN BED SLATS	PT-LOREN	
BEDROOM	91LOREQNCTSP	LOREN QUEEN CENTER SUPPORT LEG	PT-LOREN	
BEDROOM	91LORETDPULL	LOREN TD DRAWER PULL 1 PIECE	PT-LOREN	
BEDROOM	91LORETDSLID	LOREN TD DRAWER SLIDES 1 = PAIR OF SLIDES	PT-LOREN	
BEDROOM	91LORETDJWTR	LOREN TD JEWELRY TRAY 1 PIECE	PT-LOREN	
BEDROOM	91LOREWDCTSP	LOREN WD CENTER SUPPORT LEG 1 PIECE	PT-LOREN	
BEDROOM	91LOREWDPLL	LOREN WD DRAWER PULL 1 PIECE	PT-LOREN	

DISCONTINUED

ARHAUS®

your home

madeline



Daybed

79" w x 39" d x 38" h
45MADALINE2



Trundle

71.5" w x 38.5" d x 6" h; adjusts to 17" h
TRUNDLE

Trundle Mattress

75" w x 38" d x 8" h
TRUNDMATT

Full of vintage charm

Our elegant Madeline beds are perfect fits for any guest room, office, or little princess's bedroom. Featuring classic detailing, frames are crafted with solid, cast iron fittings and heavy iron support columns. Each casting is carefully poured by artisan hands and finished to perfection—creating an antique aesthetic that will stand the test of time. Accompanying trundle beds feature a unique hydraulic system that allows them to adjust in height for added comfort. Trundle mattresses sold separately.

product details

- ▶ Bed frames are craftsman-built with solid cast iron fittings and heavy iron support columns.
- ▶ Mattress platforms are outfitted with vertical stretchers for added support.
- ▶ Cast iron is poured by artisan hands and finished to perfection with a powder coating for added durability.
- ▶ Finished frames are hand-painted and antiqued, creating a perfect vintage bronze patina.
- ▶ Beds are compatible with twin size mattresses.
- ▶ Trundle beds are crafted in the United States and features unique hydraulic systems that allow them to elevate for more comfortable sleep.
- ▶ Trundle mattresses are exclusively designed for Arhaus to complement the Madeline Trundle.
- ▶ Trundle and mattress sold separately.
- ▶ Keep your furniture looking its best. Visit arhaus.com or speak to any Arhaus Design Consultant for care recommendations.



Upholstered bed
shown in Manta



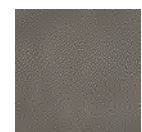
SOPHISTICATED SHAGREEN

Featuring a sleek aesthetic, our Malone collection is artisan-crafted from solid parawood or oak wood—depending on your preferred finish—and surfaced with walnut or elm wood veneers. Insets made from reconstituted leather embossed with a shagreen pattern are complemented by hand-applied finishes to give this collection a modern look with intriguing textural details. Channel-set designs, low-profile silhouettes, and warm brass or pewter accents will elevate your bedroom (and your sleep) to a new level of refinement.

PRODUCT DETAILS

- + Pieces finished in Sparrow and Caramel feature craftsman-built frames made from solid parawood surfaced with walnut wood veneers.
- + Pieces finished in Bone and Manta feature craftsman-built frames made from solid oak wood with elm wood veneers.
- + Reconstituted faux leather insets are dyed and artfully embossed with textural shagreen detailing.
- + Wood finishes are hand-stained and coated with lacquer for added protection.
- + Warm, brass- or pewter-finished accents complement wood and leather surfaces.
- + We recommend using our Retreat 4" Platform with this bed.
- + Cabinet drawers built using English dovetail joinery sit on under-mounted, soft-close glides.
- + Bed frames are motion base compatible and include space to accommodate variances in mattress sizes and allow bedding to be tucked in.
- + Queen beds feature a frame cavity measuring 61" w x 80.5" d with 4.9" h under-bed clearance.
- + King beds feature a frame cavity measuring 77" w x 80.5" d with 4.9" h under-bed clearance.
- + Keep your furniture looking its best. Visit arhaus.com or speak to any Arhaus Design Consultant for care recommendations.

FINISHES:



Sparrow



Manta



Bone



Caramel

shown in Sparrow



KING CANOPY BED

79.5" w x 84" d x 84" h

Sparrow	45MALONEKC2
Bone	45MALONBKC2
Caramel	45MALONCKCKT
Manta	45MALONMKCKT

QUEEN CANOPY BED

64.25" w x 84" d x 84" h

Sparrow	45MALONEQC2
Bone	45MALONBQC2
Caramel	45MALONCQCKT
Manta	45MALONMQCKT



KING BED

79.5" w x 83.5" d x 54" h

Sparrow	45MALONEKG2
Bone	45MALONEBKG2

QUEEN BED

63.5" w x 83.5" d x 54" h

Sparrow	45MALONEQN2
Bone	45MALONEBQN2

shown in Caramel



KING PANEL BED

80.5" w x 84.75" d x 54" h

Sparrow	45MALONSKPKT
Bone	45MALONBPKT
Caramel	45MALONCKPKT
Manta	45MALONMKPKT

QUEEN PANEL BED

64.5" w x 84.75" d x 54" h

Sparrow	45MALONSQPKT
Bone	45MALONBQPKT
Caramel	45MALONCQPKT
Manta	45MALONMQPKT

shown in Manta



KING UPHOLSTERED BED

84.25" w x 84.25" d x 54" h

Sparrow	45MALONSKUKT
Bone	45MALONBKUKT
Caramel	45MALONCKUKT
Manta	45MALONMKUKT

QUEEN UPHOLSTERED BED

64.25" w x 84.25" d x 54" h

Sparrow	45MALONSKUQT
Bone	45MALONBQUKT
Caramel	45MALONCQUKT
Manta	45MALONMQUKT

IMAGE NOT
AVAILABLE

shown in Sparrow



KING SHELTER BED

80.5" w x 84.75" d x 54" h

Sparrow	45MALONSKSKT
Bone	45MALONBKSKT
Caramel	45MALONCKSKT
Manta	45MALONMKSKT

QUEEN SHELTER BED

64.5" w x 84.75" d x 54" h

Sparrow	45MALONSQSKT
Bone	45MALONBQSKT
Caramel	45MALONCQSKT
Manta	45MALONMQSKT

11-DRAWER DRESSER

60" w x 20" d x 48" h

Sparrow	45MALON11DR2
Bone	45MALONB11DR2
Caramel	45MALONC11DR
Manta	45MALONM11DR



6-DRAWER DRESSER

66" w x 20" d x 36" h

Sparrow	45MALONEWD2
Bone	45MALONEBWD2
Caramel	45MALONCWD
Manta	45MALONMWD



2-OVER-3 DRESSER

40" w x 20" d x 40" h

Sparrow	45MALONE232
Bone	45MALONEB232
Caramel	45MALONC23DR
Manta	45MALONM23DR



3-DRAWER CHEST

36" w x 20" d x 35" h

Sparrow	45MALONE3DR2
Bone	45MALONB3DR2
Caramel	45MALONC3DR
Manta	45MALONM3DR



NIGHTSTAND

30" w x 20" d x 24" h

Sparrow	45MALONENT2
Bone	45MALONEBNT2
Caramel	45MALONCNT
Manta	45MALONMNT



ROUND NIGHTSTAND

22" diameter x 25" h

Sparrow	45MALSPRNDNT
Bone	45MALBNRNDNT
Caramel	45MALONCRDNT
Manta	45MALONMRDNT

shown in Manta



OPEN NIGHTSTAND

26" w x 24" d x 18" h

Sparrow	45MALONSOPNT
Bone	45MALONBOPNT
Caramel	45MALONCOPNT
Manta	45MALONMOPNT

ARHAUS®

your home

MALONE 3-DRAWER DRESSER

Thank you for choosing this quality product. Be sure to check all packaging materials carefully for small parts that may have become loose during shipment and place all parts on a non-abrasive surface.

⚠ WARNING: These case parts can be cumbersome and heavy to some people, therefore the assistance of two or more people is recommended in order to prevent personal injury and ensure the case are not damaged during the assembly process.

HARDWARE LIST

[2] BRACKET

[1] RESTRAINT STRAP

[2] SHORTER] PHILIPS SCREWS

[2] LONGER] PHILIPS SCREWS

[2] PLASTIC ANCHOR

INSTALLATION INSTRUCTIONS

1. From the desired location, pre-set the unit 16" to 20" from the wall, examine the alignment of the drawers if leveling is necessary. If needed, slightly tilt the base and turn the head of the levelers clockwise to raise the furniture and counter-clockwise to lower it. Adjust all levelers until the correct level or flatness is achieved. Repeat adjustment
2. procedures if necessary, after the furniture settles on rugs or carpeted surface. Please see FIGURE 01.
3. Attach two of the mounting brackets near the top back edge of the furniture piece using the shorter screw.
4. Determine the final position of the furniture piece and mark locations on the wall approximately 2" below the brackets mounted to the back of the furniture piece.
5. Drill a shorter hole into the drywall stud. If a wall stud is not available, drill a hole into the solid wall and insert the plastic anchor. Gently tap the anchor until the flange is flush with the wall.
6. Attach the second set of brackets using the longer screw through the bracket hole and into the wall.
7. Place the furniture so that the brackets on the back edge are in line with the brackets in the wall.
8. Lace one end of the nylon restraint straps down through each bracket. Bring both ends together and slide the beaded end until it snaps locks into the keyhole slot.
9. To double lock; return the beaded end through the keyholes as shown.
10. Check to make sure the straps are securely laced and locked to the brackets. Please see FIGURE 02.

CARE INSTRUCTIONS

- Dust often using a clean, soft, dry lint-free cloth.
- Blot spills immediately, and wipe with a clean, damp, cloth.
- We do not recommend the use of chemical cleansers, abrasives, or furniture polish on our lacquered finish.

FIGURE 01

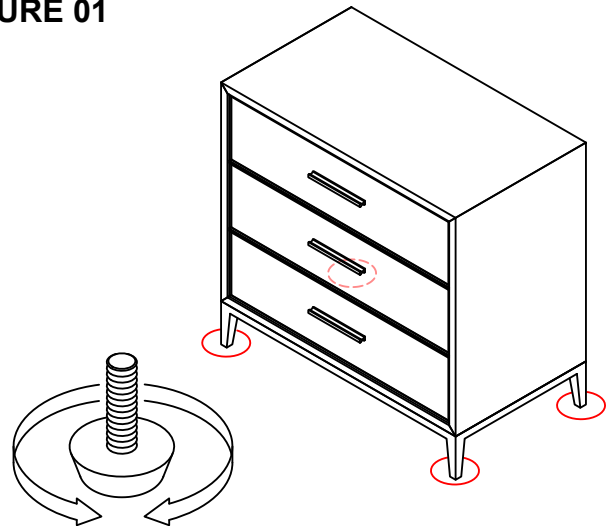
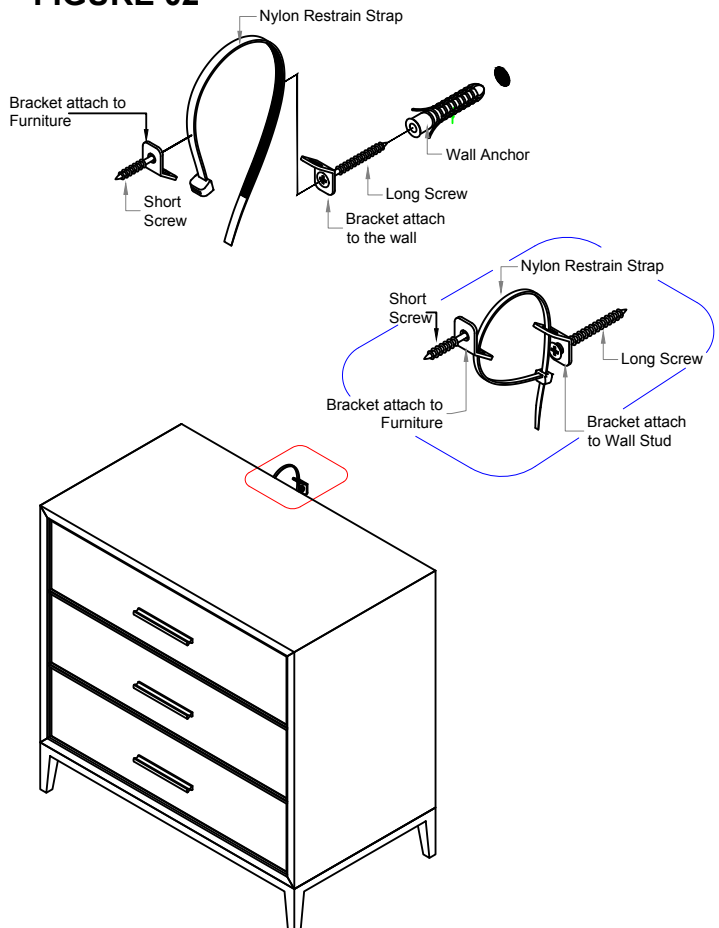


FIGURE 02



Thank you for your purchase
www.arhaus.com

ARHAUS®

your home

MALONE 5-DRAWER DRESSER METAL BASE

Thank you for choosing this quality product. Be sure to check all packaging materials carefully for small parts that may have become loose during shipment and place all parts on a non-abrasive surface.

⚠ WARNING: These case parts can be cumbersome and heavy to some people, therefore the assistance of two or more people is recommended in order to prevent personal injury and ensure the case are not damaged during the assembly process.

HARDWARE LIST

[2] BRACKET

[1] RESTRAINT STRAP

[2] SHORTER] PHILIPS SCREWS

[2] LONGER] PHILIPS SCREWS

[2] PLASTIC ANCHOR

INSTALLATION INSTRUCTIONS

1. From the desired location, pre-set the unit 16" to 20" from the wall, examine the alignment of the drawers if leveling is necessary. If needed, slightly tilt the base and turn the head of the levelers clockwise to raise the furniture and counter-clockwise to lower it. Adjust all levelers until the correct level or flatness is achieved. Repeat adjustment
2. procedures if necessary, after the furniture settles on rugs or carpeted surface. Please see FIGURE 01.
3. Attach two of the mounting brackets near the top back edge of the furniture piece using the shorter screw.
4. Determine the final position of the furniture piece and mark locations on the wall approximately 2" below the brackets mounted to the back of the furniture piece.
5. Drill a shorter hole into the drywall stud. If a wall stud is not available, drill a hole into the solid wall and insert the plastic anchor. Gently tap the anchor until the flange is flush with the wall.
6. Attach the second set of brackets using the longer screw through the bracket hole and into the wall.
7. Place the furniture so that the brackets on the back edge are in line with the brackets in the wall.
8. Lace one end of the nylon restraint straps down through each bracket. Bring both ends together and slide the beaded end until it snaps locks into the keyhole slot.
9. To double lock; return the beaded end through the keyholes as shown.
10. Check to make sure the straps are securely laced and locked to the brackets. Please see FIGURE 02.

CARE INSTRUCTIONS

- Dust often using a clean, soft, dry lint-free cloth. **FIGURE 01**
- Blot spills immediately, and wipe with a clean, damp, cloth.
- We do not recommend the use of chemical cleansers, abrasives, or furniture polish on our lacquered finish.

FIGURE 01

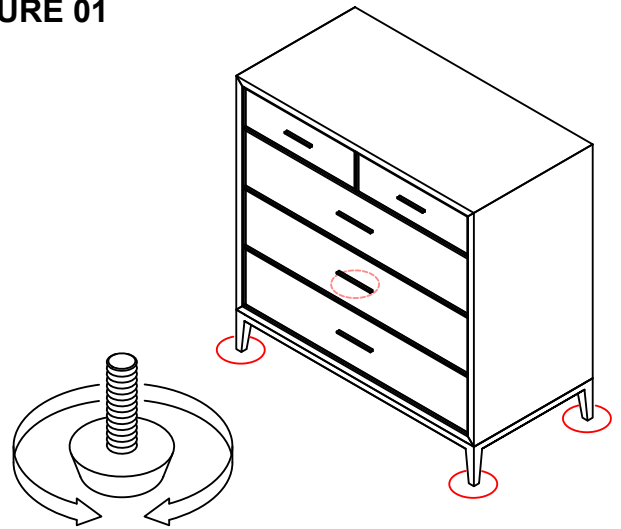
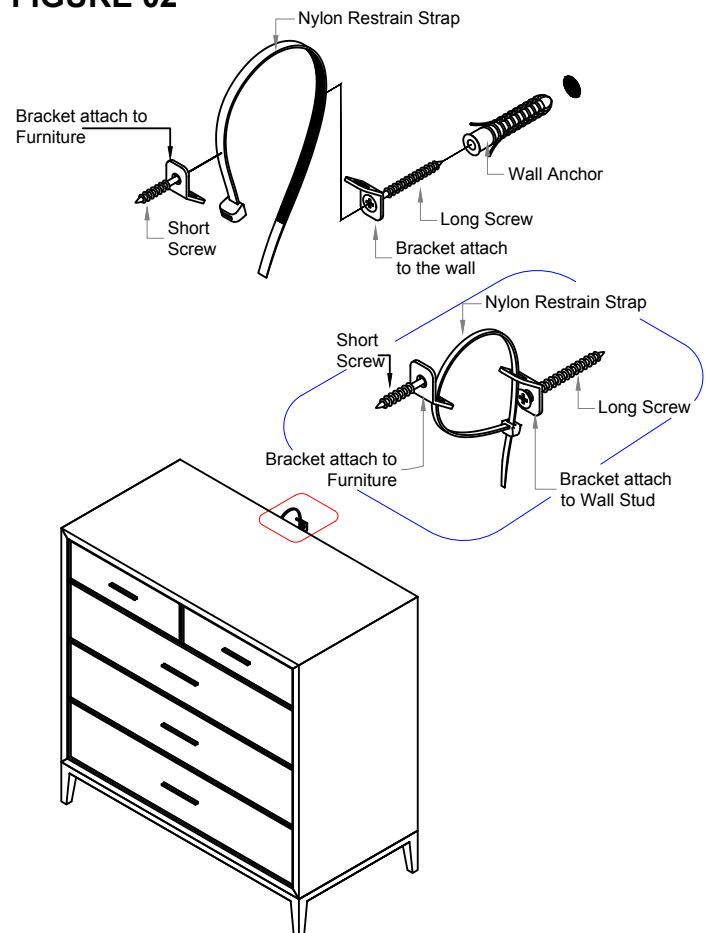


FIGURE 02



Thank you for your purchase
www.arhaus.com

ARHAUS®

your home

MALONE 6-DRAWERS

Thank you for choosing this quality product. Be sure to check all packaging materials carefully for small parts that may have become loose during shipment and place all parts on a non-abrasive surface.

⚠ WARNING: These case parts can be cumbersome and heavy to some people, therefore the assistance of two or more people is recommended in order to prevent personal injury and ensure the case are not damaged during the assembly process.

IMPORTANT

For safe mounting it is important to use the proper hardware for your wall type. **The included hardware is for stud mounting only. If the mounting bracket cannot be secured to a wall stud because of inappropriate spacing and/or because you have a different wall type (e.g., plaster, concrete, brick, etc.) please consult your local hardware store for fastener advice.**

HARDWARE LIST

- [2] BRACKET
- [1] RESTRAINT STRAP
- [1 SHORTER] PHILIPS SCREWS
- [1 LONGER] PHILIPS SCREWS

INSTALLATION INSTRUCTIONS

1. From the desired location, pre-set the unit 16" to 20" from the wall, examine the alignment of the drawers, if leveling is necessary. If needed, slightly tilt the base and turn the head of the levelers clockwise to raise the furniture and counter clockwise to lower it. Adjust all levelers until the correct level or flatness is achieved. Repeat adjustment procedures if necessary, after the furniture settles on rugs or on carpeted surface. Please see **FIGURE 01**.
2. Attach one mounting bracket near the top back edge of the furniture piece using the shorter screw.
3. Determine the final position of the furniture piece and mark location on the wall approximately two inches (2") below the bracket mounted to the back of the furniture piece.
4. Attach the second bracket using the longer screw through the bracket hole and into the wall.
5. Bring the furniture against the wall in line with the bracket installed in the wall.
6. Lace one end of the nylon restraint strap down through each bracket. Bring both ends together and slide the beaded end until it snap locks into the keyhole slot.
7. To double lock; return the beaded end back through the keyholes as shown.
8. Check to make sure the straps are securely laced and locked to the brackets. Please see **FIGURE 02**.

CARE INSTRUCTIONS

- Dust often using a clean, soft, dry lint-free cloth.
- Blot spills immediately, and wipe with a clean, damp, cloth.
- We do not recommend the use of chemical cleansers, abrasives, or furniture polish on our lacquered finish.

FIGURE 01

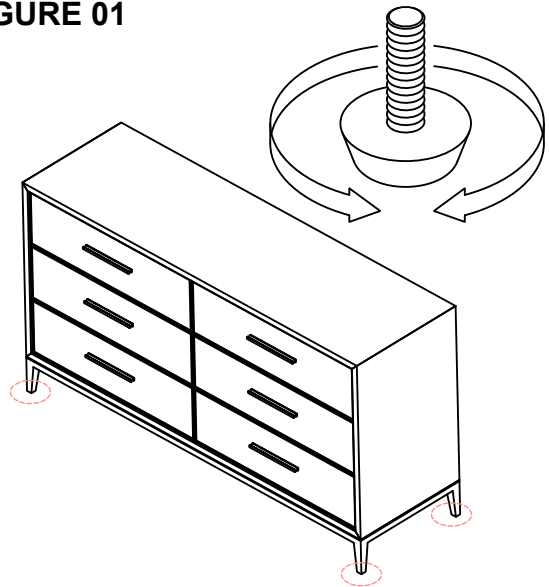
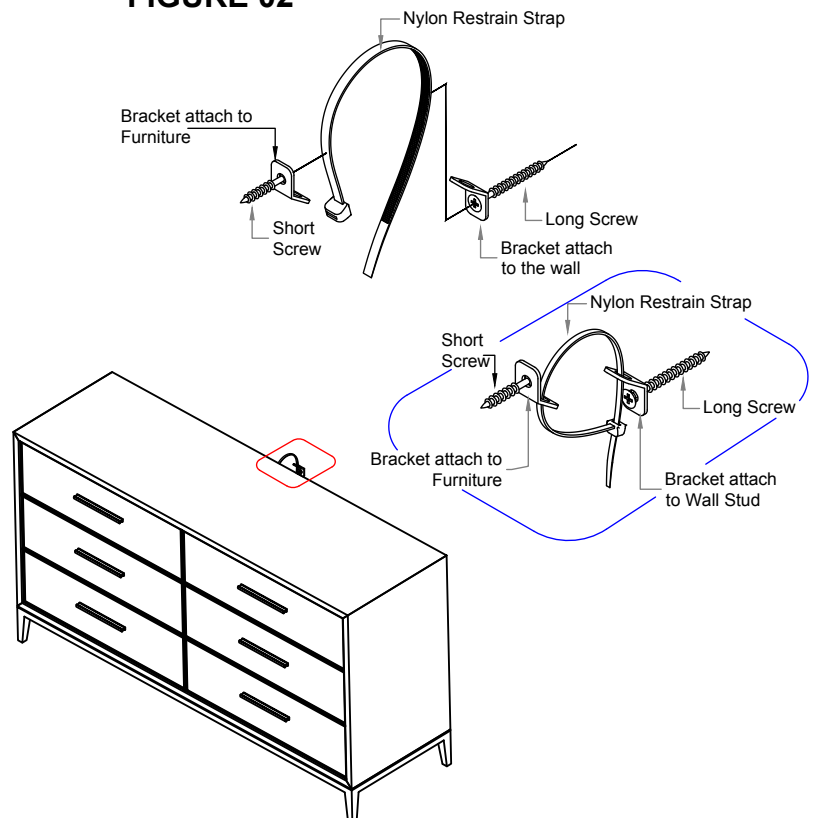


FIGURE 02



Thank you for your purchase
www.arhaus.com

ARHAUS®

your home

MALONE 11-DRAWER DRESSER

Thank you for choosing this quality product. Be sure to check all packaging materials carefully for small parts that may have become loose during shipment and place all parts on a non-abrasive surface.

⚠ WARNING: These case parts can be cumbersome and heavy to some people, therefore the assistance of two or more people is recommended in order to prevent personal injury and ensure the case are not damaged during the assembly process.

HARDWARE LIST

[2] BRACKET

[1] RESTRAINT STRAP

[2] SHORTER] PHILIPS SCREWS

[2] LONGER] PHILIPS SCREWS

[2] PLASTIC ANCHOR

INSTALLATION INSTRUCTIONS

1. From the desired location, pre-set the unit 16" to 20" from the wall, examine the alignment of the drawers if leveling is necessary. If needed, slightly tilt the base and turn the head of the levelers clockwise to raise the furniture and counter-clockwise to lower it. Adjust all levelers until the correct level or flatness is achieved. Repeat adjustment
2. procedures if necessary, after the furniture settles on rugs or carpeted surface. Please see FIGURE 01.
3. Attach two of the mounting brackets near the top back edge of the furniture piece using the shorter screw.
4. Determine the final position of the furniture piece and mark locations on the wall approximately 2" below the brackets mounted to the back of the furniture piece.
5. Drill a shorter hole into the drywall stud. If a wall stud is not available, drill a hole into the solid wall and insert the plastic anchor. Gently tap the anchor until the flange is flush with the wall.
6. Attach the second set of brackets using the longer screw through the bracket hole and into the wall.
7. Place the furniture so that the brackets on the back edge are in line with the brackets in the wall.
8. Lace one end of the nylon restraint straps down through each bracket. Bring both ends together and slide the beaded end until it snaps locks into the keyhole slot.
9. To double lock; return the beaded end through the keyholes as shown.
10. Check to make sure the straps are securely laced and locked to the brackets. Please see FIGURE 02.

CARE INSTRUCTIONS

- Dust often using a clean, soft, dry lint-free cloth.
- Blot spills immediately, and wipe with a clean, damp, cloth.
- We do not recommend the use of chemical cleansers, abrasives, or furniture polish on our lacquered finish.

FIGURE 01

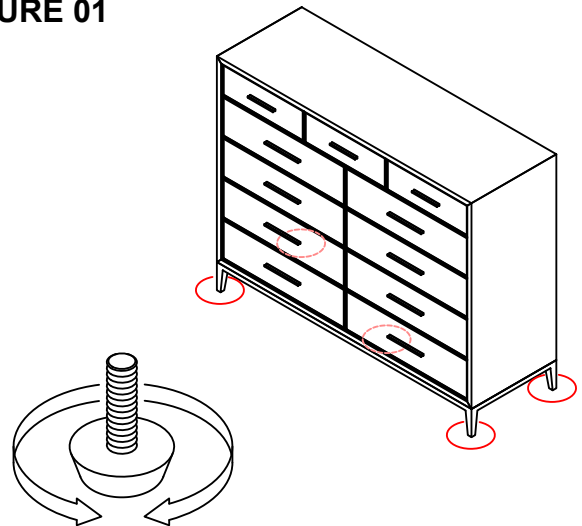
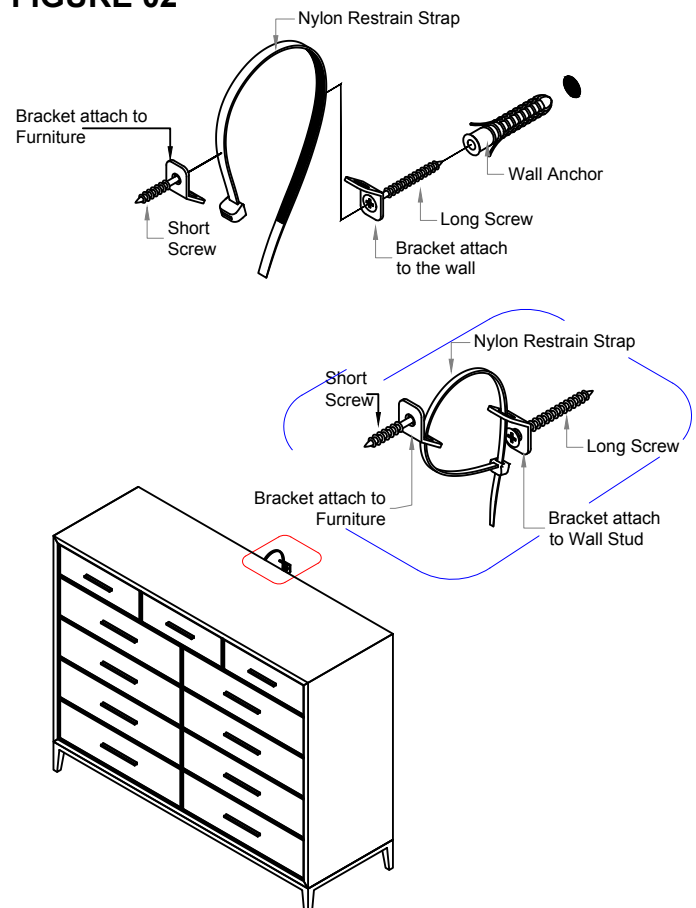


FIGURE 02



Thank you for your purchase
www.arhaus.com

ARHAUS

your home

MALONE CANOPY KING BED

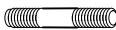
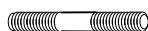
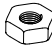


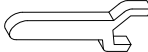






Thank you for choosing this quality product. Be sure to check all packaging materials carefully for small parts that may have become loose during shipment and place all parts on a non-abrasive surface.

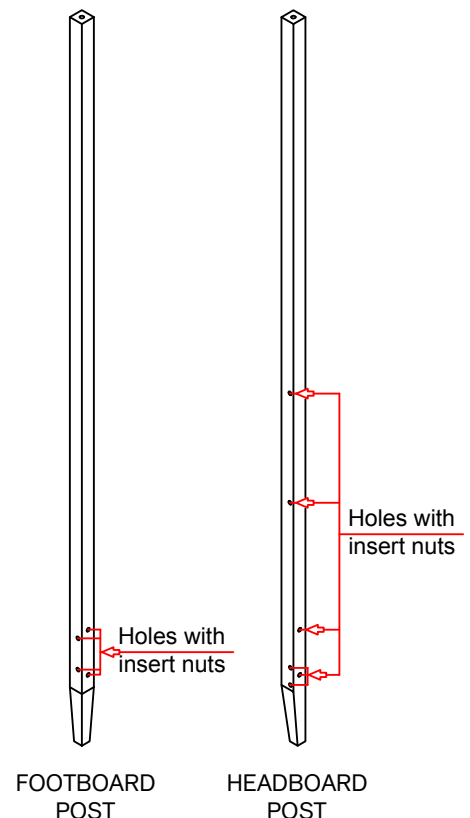
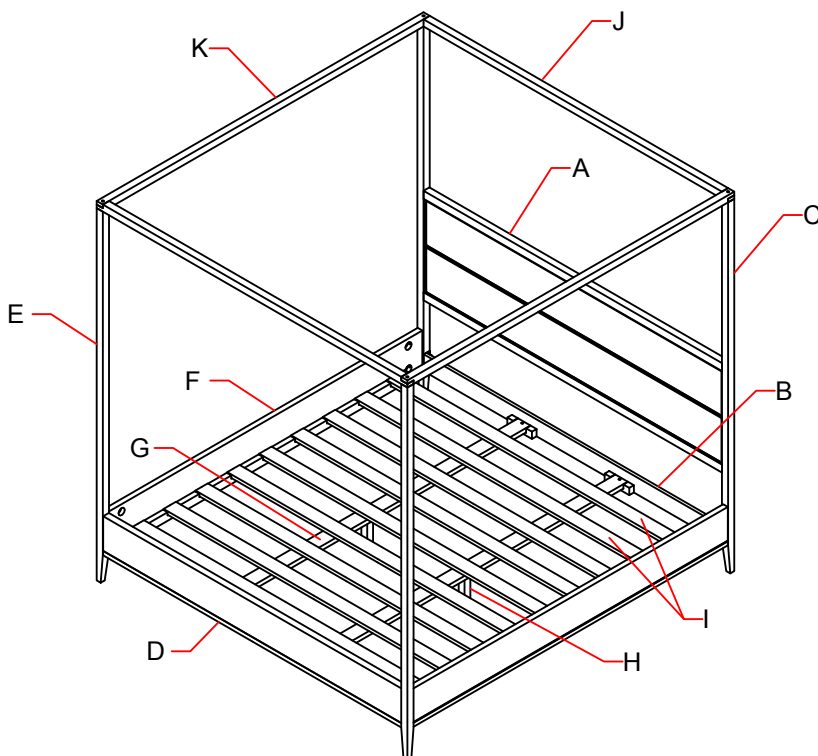
⚠️ WARNING: These bed parts can be cumbersome and heavy to some people, therefore the assistance of two or more people is recommended in order to prevent personal injury and ensure the bed are not damaged during the assembly process.

PARTS INCLUDED

- A. [1] HEADBOARD PANEL
- B. [1] HEADBOARD RAIL
- C. [2] HEADBOARD POST
- D. [1] FOOTBOARD RAIL
- E. [2] FOOTBOARD POST
- F. [2] SIDE RAILS
- G. [2] SUPPORT SLAT
- H. [2] LEG
- I. [9] BED SLATS
- J. [2] HB/FB CANOPY RAIL
- K. [2] SIDE CANOPY RAIL

HARDWARE PARTS

- 1. [4] THREADED ROD $\frac{5}{16}\text{Ø}$ " x 3- $\frac{1}{2}$ " 
- 2. [12] THREADED ROD $\frac{5}{16}\text{Ø}$ " x 4- $\frac{1}{2}$ " 
- 3. [16] HEX NUTS 
- 4. [16] LOCK WASHER $\frac{5}{16}\text{Ø}$ " 
- 5. [16] CURVED SLOTTED WASHER 
- 6. [1] WRENCH 
- 7. [4] BOLT $\frac{1}{4}\text{Ø}$ " x 1" 
- 8. [4] BOLT $\frac{1}{4}\text{Ø}$ " x 2- $\frac{1}{2}$ " 
- 9. [8] LOCK WASHER $\frac{1}{4}\text{Ø}$ " 
- 10. [4] FLAT WASHER $\frac{1}{4}\text{Ø}$ " 
- 11. [1] 4MM ALLEN WRENCH 
- 12. [4] SCREW 



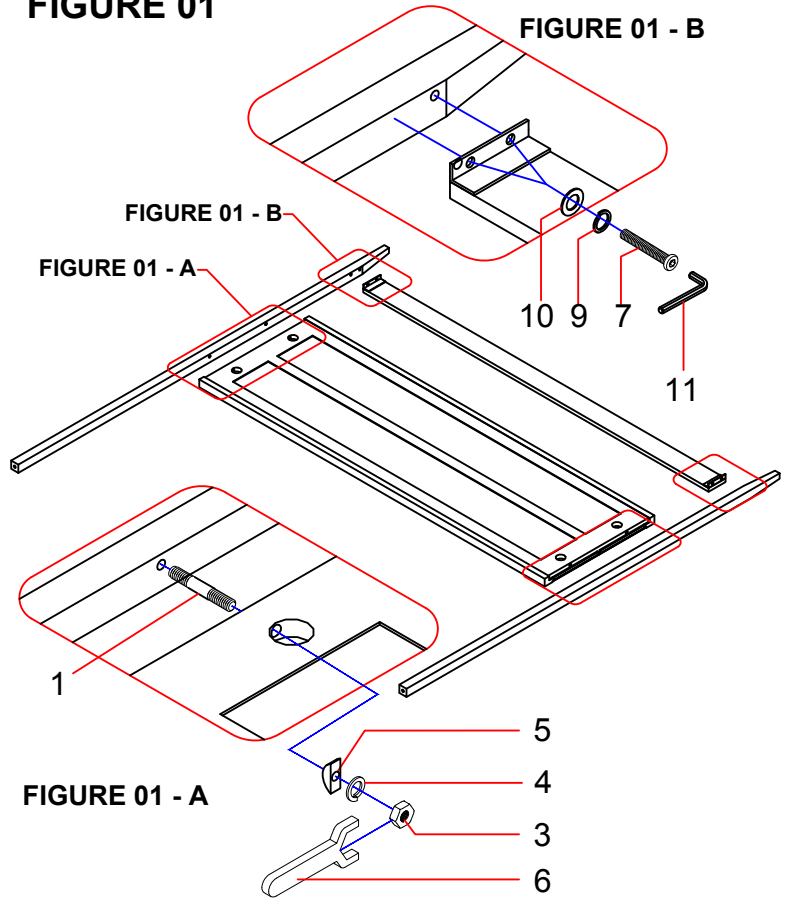
MALONE CANOPY KING BED

ASSEMBLY INSTRUCTION

STEP 1: HEADBOARD ASSEMBLY

- On a plain and non-abrasive surface set the Headboard Panel (A), Headboard Posts (C) and the Headboard Rails (B) in an upside-down position to access the cavities at the back of the headboard parts during assembly.
- Set the Threaded Rod (1) to the boreholes of the Headboard Posts (C) by simply turning it manually. Bring the Headboard Post (C) against the end of the Headboard Panel (A) and align the Threaded Rod (1) to go through the boreholes. engage Curved Washers (5) Lock Washers (4) and Hex Nuts (3) on Threaded Rods (1). Tighten the Hex Nuts (7) with Open Wrench (6) provided. Please see FIGURE 01-01-A.
- On the lower part, install the Headboard Rail (B) on the post using Allen Head Bolt (7) together with Lock Washer (9) and Plain Washer (10) provided. Tighten the bolt with Allen Wrench (11) as shown in FIGURE 01 and FIGURE 01-B
- Repeat the above steps to attach the other Headboard Post (C) to the Headboard Panel (A) and Headboard Rail (B).

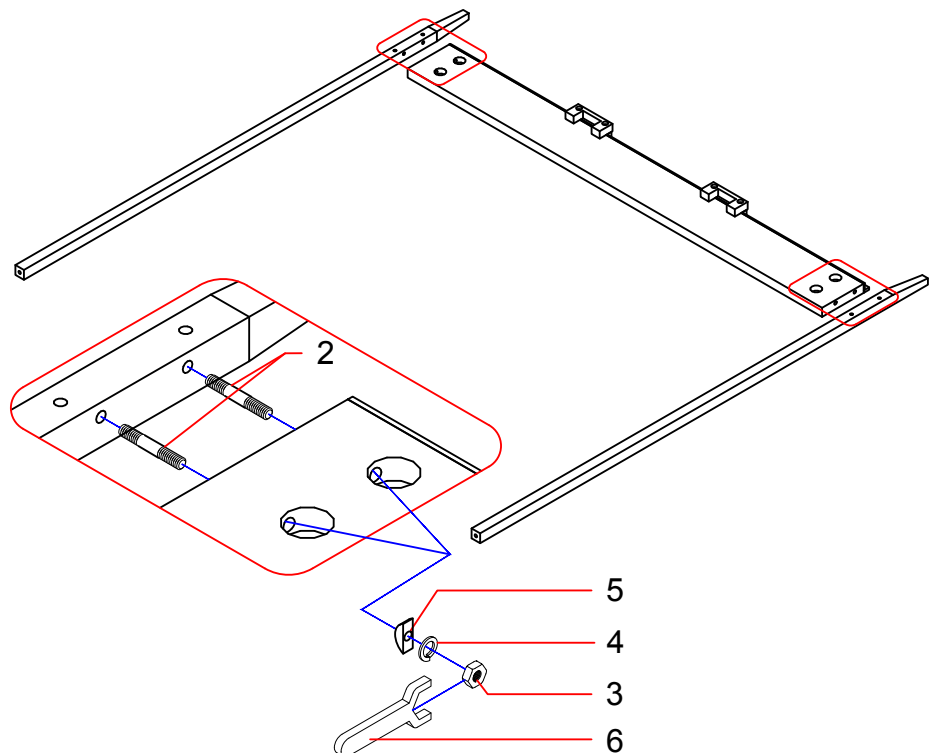
FIGURE 01



STEP 2: FOOTBOARD ASSEMBLY

- Same with the headboard, set the Footboard Rail (D) and Footboard Post (E) on a plain and non-abrasive surface with the finished surface turn upside down. Bring the Footboard Post against the end of the Footboard Rail and align the Threaded Rod (2) to go through the boreholes. engage Curved Washers, Lock Washers (4) and Hex Nuts (3) on Threaded Rods (1). Tighten the Hex Nuts (3) with Open Wrench (6) provided. Please see FIGURE 02.
- Repeat the above steps to attach the other Footboard Post (E) to the Footboard Panel (D).

FIGURE 02



ARHAUS®

your home

MALONE CANOPY KING BED

STEP 3:

Place the Headboard upright in the position you wish the bed to be in when fully assembled. The headboard bed fast hardware should be facing inside, toward the mattress. Secure the Threaded Rod (2) to the fixed nut in the Headboard by simply turning it manually. Raise the Side Rail (F) and set the Rod (2) to align with the boreholes on the end of the Side Rails (F). Put the Side Rails (F) up against the Headboard so the Threaded Rod (2) go through the borehole. Insert Curved Slotted Washer (5) and Lock Washer (4), then engage Hexagonal Nuts (3) on Threaded Rod (1) and tighten the Hexagonal Nuts (3) with Open Wrench (6), as illustrated in FIGURE 03.

STEP 4:

Repeat the above procedure with the other Side Rail (F) to attach it to the Headboard, and then repeat to connect Side Rails (F) to the footboard.

FIGURE 04

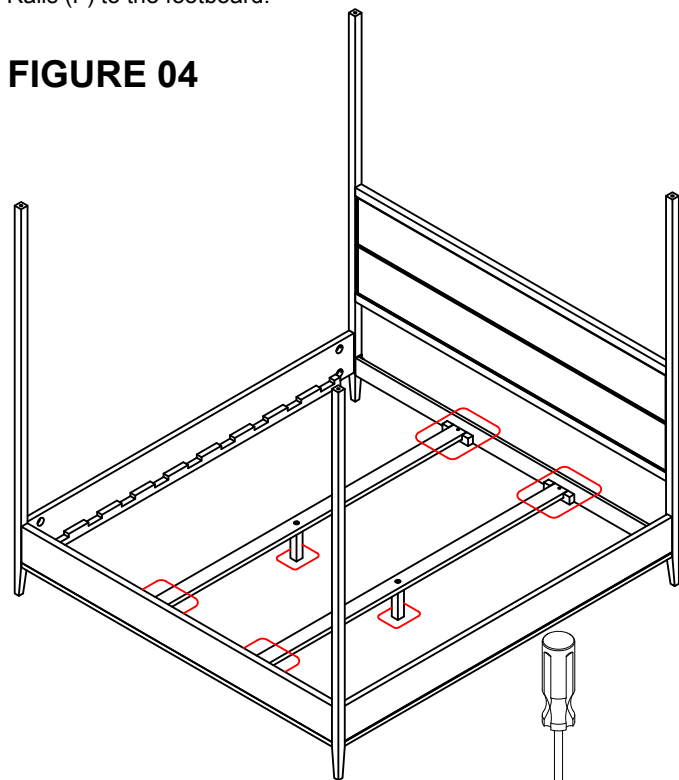


FIGURE 04 - A

FIGURE 04 - B

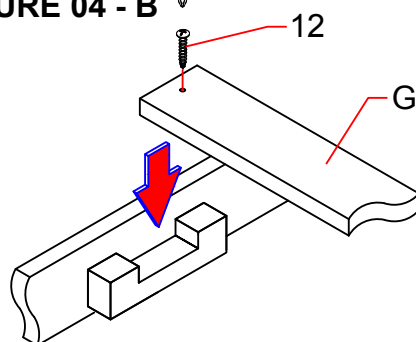
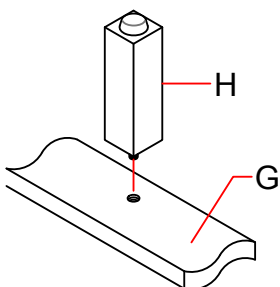
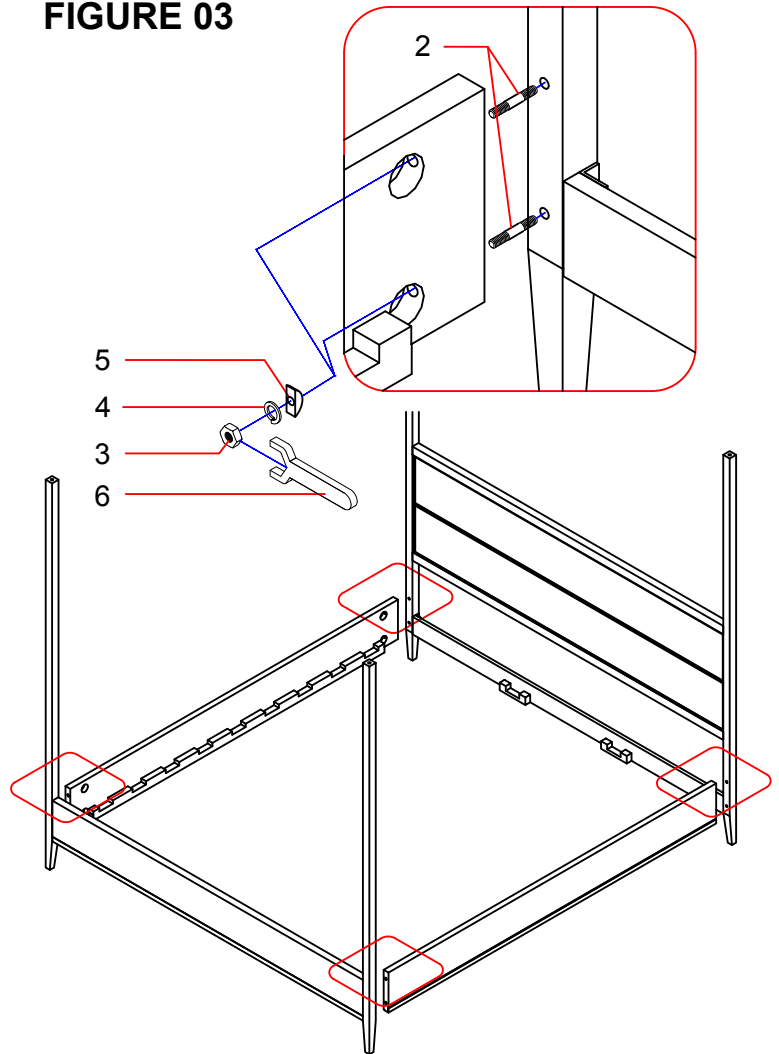


FIGURE 03



STEP 5:

Set the Support Slats (G) on the wood brackets of both Headboard Panel (A) and FootBoard Panel (D) using Screw (12) but before that, install the Leg (H) on the center cavity of Support Slats (G) as shown in FIGURE 04 (FIGURE 04-A - FIGURE 04-B).

ARHAUS®

your home

MALONE CANOPY KING BED

STEP 6:

On the inside surface of the Side Rails are wooden cleat with cavities designed to hold the sets of Bed Slats(I). Insert both ends of the Bed Slat (I) on the cavity as shown in figure 05. Repeat the procedure until all the bed slats are set.

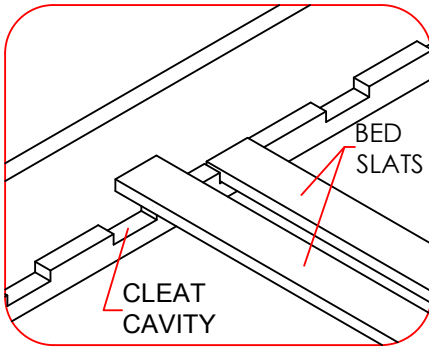
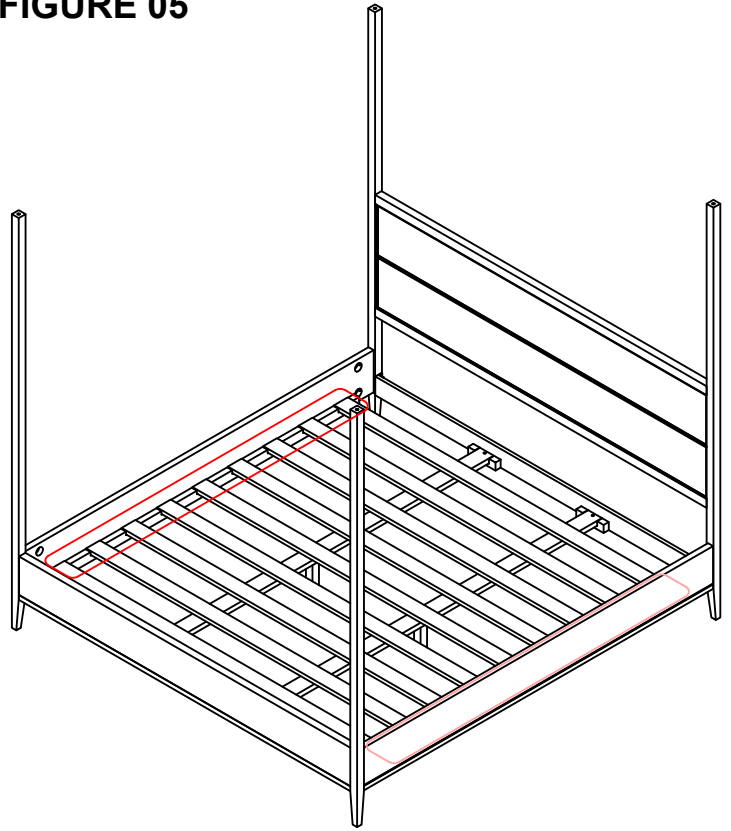


FIGURE 05



STEP 7:

With the assistance of a ladder, bring the Canopy Rail (J & K) up on top of the Posts and secure this to the cavity with Counter Sank Bolt(8) provided. Tighten all the bolts with Allen Wrench. Please see FIGURE 05.

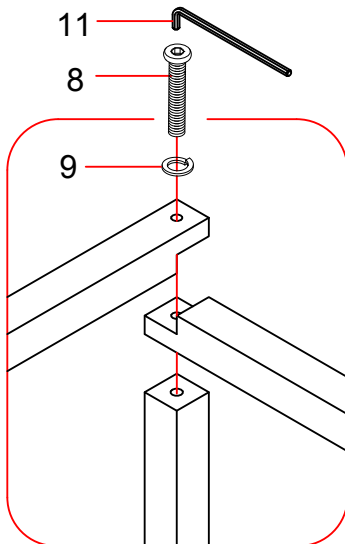
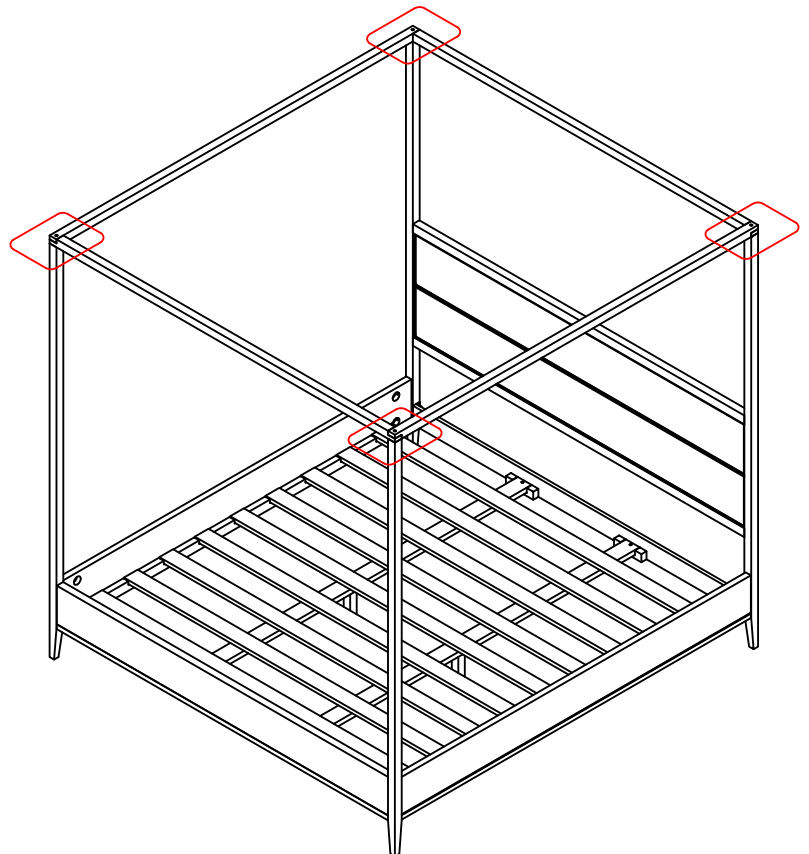


FIGURE 06



CARE INSTRUCTIONS

- Hardware may loosen over time, periodically check that all connections are tight or tighten them if necessary.
- Wipe with a soft, dry cloth, to protect the finish and avoid the use of all chemicals or any household cleaners.

Thank you for your purchase
www.arhaus.com

ARHAUS

your home

MALONE CANOPY QUEEN BED

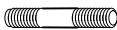
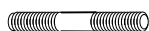
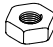

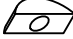
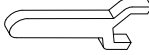






Thank you for choosing this quality product. Be sure to check all packaging materials carefully for small parts that may have become loose during shipment and place all parts on a non-abrasive surface.

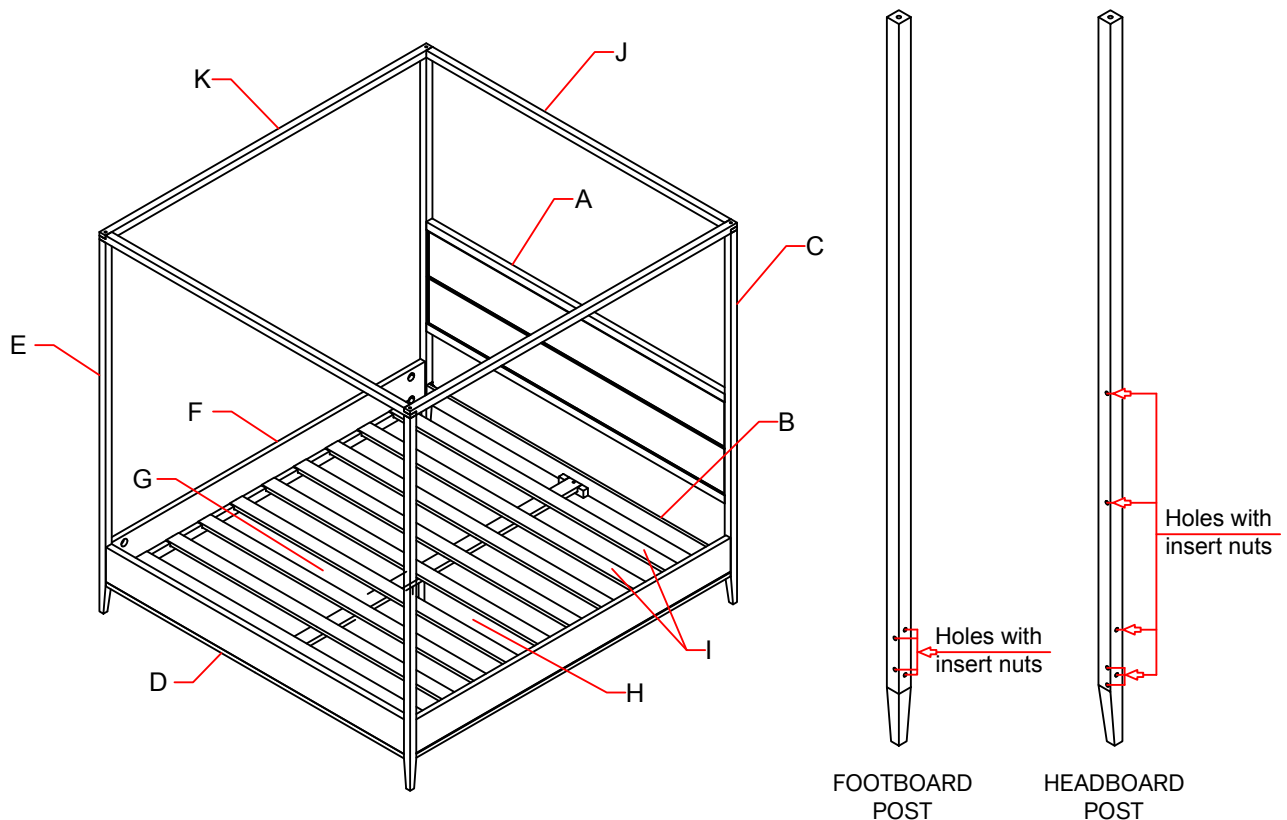
⚠ WARNING: These bed parts can be cumbersome and heavy to some people, therefore the assistance of two or more people is recommended in order to prevent personal injury and ensure the bed are not damaged during the assembly process.

PARTS INCLUDED

- A. [1] HEADBOARD PANEL
- B. [1] HEADBOARD RAIL
- C. [2] HEADBOARD POST
- D. [1] FOOTBOARD RAIL
- E. [2] FOOTBOARD POST
- F. [2] SIDE RAILS
- G. [2] SUPPORT SLAT
- H. [2] LEG
- I. [9] BED SLATS
- J. [2] HB/FB CANOPY RAIL
- K. [2] SIDE CANOPY RAIL

HARDWARE PARTS

- 1. [4] THREADED ROD $\frac{5}{16}\text{Ø}$ " x 3- $\frac{1}{2}$ " 
- 2. [12] THREADED ROD $\frac{5}{16}\text{Ø}$ " x 4- $\frac{1}{2}$ " 
- 3. [16] HEX NUTS 
- 4. [16] LOCK WASHER $\frac{5}{16}\text{Ø}$ " 
- 5. [16] CURVED SLOTTED WASHER 
- 6. [1] WRENCH 
- 7. [4] BOLT $\frac{1}{4}\text{Ø}$ " x 1" 
- 8. [4] BOLT $\frac{1}{4}\text{Ø}$ " x 2- $\frac{1}{2}$ " 
- 9. [8] LOCK WASHER $\frac{1}{4}\text{Ø}$ " 
- 10. [4] FLAT WASHER $\frac{1}{4}\text{Ø}$ " 
- 11. [1] 4MM ALLEN WRENCH 
- 12. [2] SCREW 



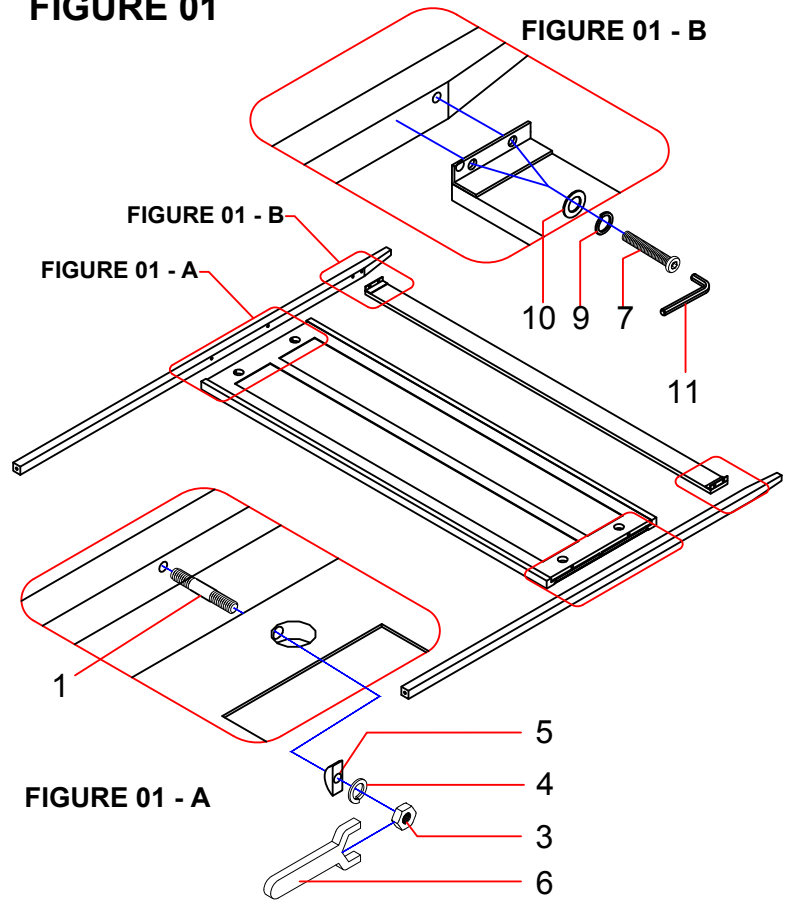
MALONE CANOPY QUEEN BED

ASSEMBLY INSTRUCTION

STEP 1: HEADBOARD ASSEMBLY

- On a plain and non-abrasive surface set the Headboard Panel (A), Headboard Posts (C) and the Headboard Rails (B) in an upside-down position to access the cavities at the back of the headboard parts during assembly.
- Set the Threaded Rod (1) to the boreholes of the Headboard Posts (C) by simply turning it manually. Bring the Headboard Post (C) against the end of the Headboard Panel (A) and align the Threaded Rod (1) to go through the boreholes. engage Curved Washers (5) Lock Washers (4) and Hex Nuts (3) on Threaded Rods (1). Tighten the Hex Nuts (7) with Open Wrench (6) provided. Please see FIGURE 01-01-A.
- On the lower part, install the Headboard Rail (B) on the post using Allen Head Bolt (7) together with Lock Washer (9) and Plain Washer (10) provided. Tighten the bolt with Allen Wrench (11) as shown in FIGURE 01 and FIGURE 01-B
- Repeat the above steps to attach the other Headboard Post (C) to the Headboard Panel (A) and Headboard Rail (B).

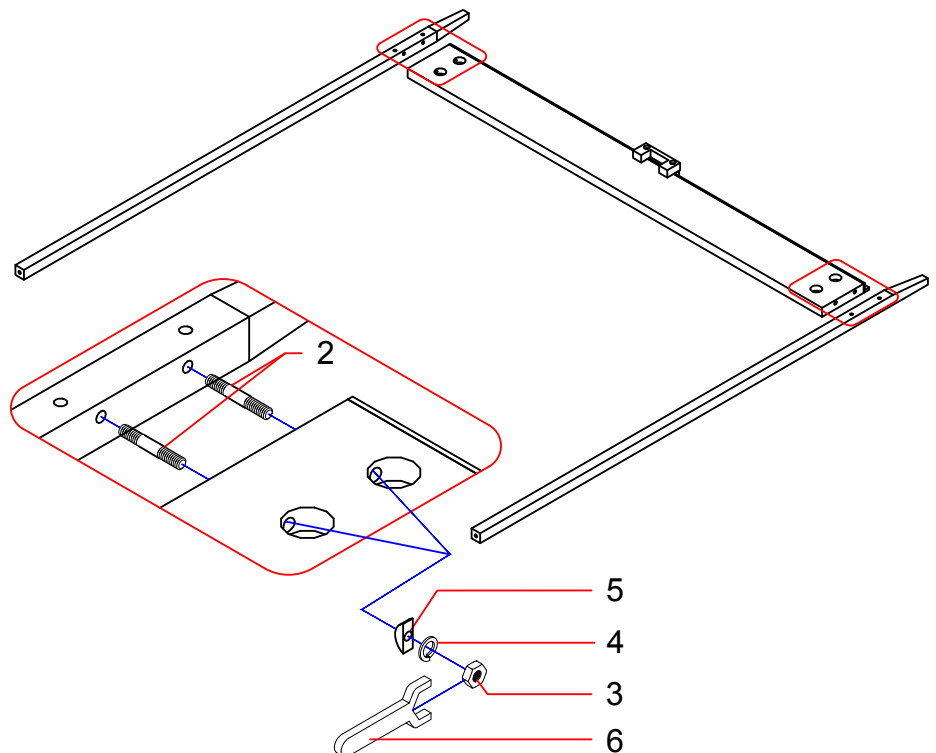
FIGURE 01



STEP 2: FOOTBOARD ASSEMBLY

- Same with the headboard, set the Footboard Rail (D) and Footboard Post (E) on a plain and non-abrasive surface with the finished surface turn upside down. Bring the Footboard Post against the end of the Footboard Rail and align the Threaded Rod (2) to go through the boreholes. engage Curved Washers, Lock Washers (4) and Hex Nuts (3) on Threaded Rods (1). Tighten the Hex Nuts (3) with Open Wrench (6) provided. Please see FIGURE 02.
- Repeat the above steps to attach the other Footboard Post (E) to the Footboard Panel (D).

FIGURE 02



ARHAUS®

your home

MALONE CANOPY QUEEN BED

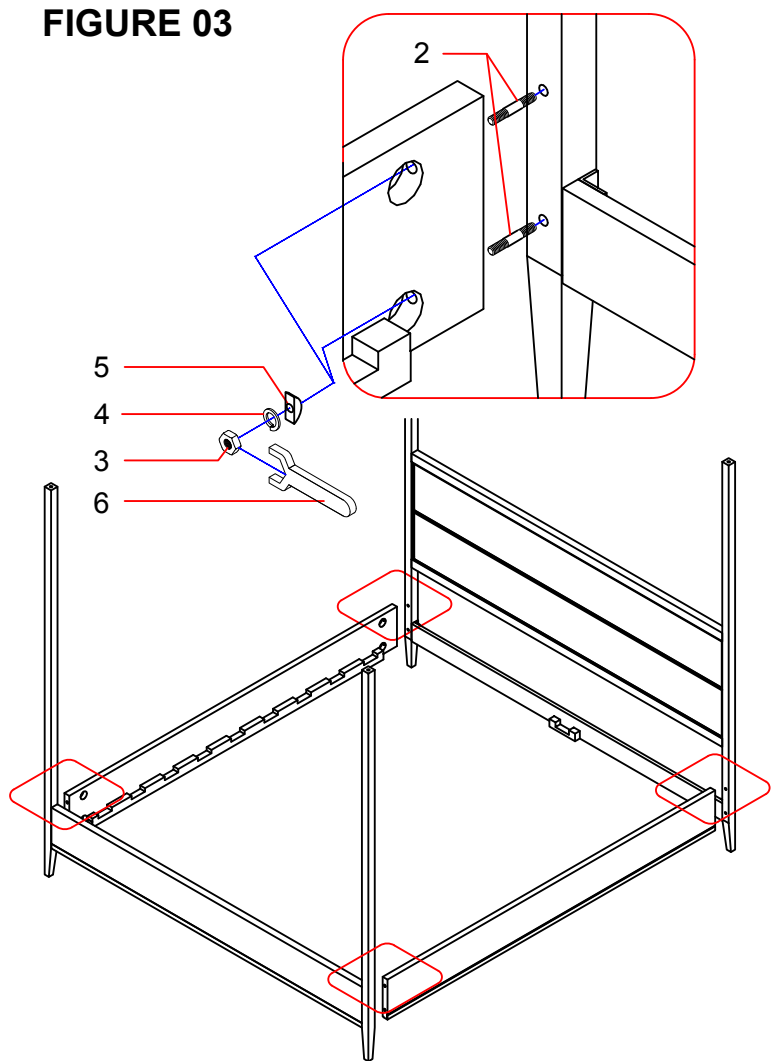
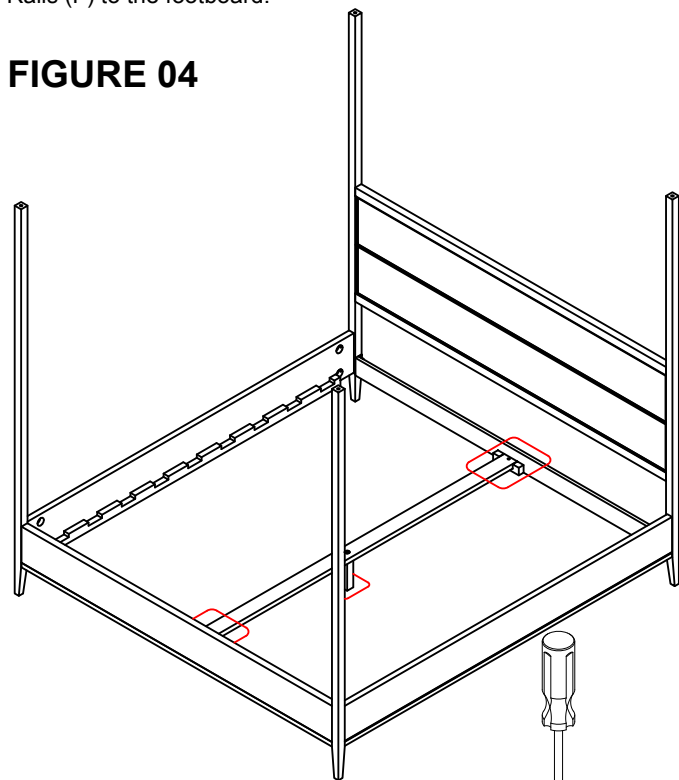
STEP 3:

Place the Headboard upright in the position you wish the bed to be in when fully assembled. The headboard bed fast hardware should be facing inside, toward the mattress. Secure the Threaded Rod (2) to the fixed nut in the Headboard by simply turning it manually. Raise the Side Rail (F) and set the Rod (2) to align with the boreholes on the end of the Side Rails (F). Put the Side Rails (F) up against the Headboard so the Threaded Rod (2) go through the borehole. Insert Curved Slotted Washer (5) and Lock Washer (4), then engage Hexagonal Nuts (3) on Threaded Rod (1) and tighten the Hexagonal Nuts (3) with Open Wrench (6), as illustrated in FIGURE 03.

STEP 4:

Repeat the above procedure with the other Side Rail (F) to attach it to the Headboard, and then repeat to connect Side Rails (F) to the footboard.

FIGURE 04

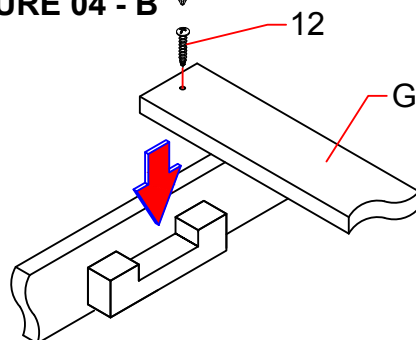
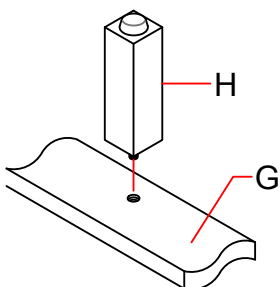


STEP 5:

Set the Support Slats (G) on the wood brackets of both Headboard Panel (A) and FootBoard Panel (D) using Screw (12) but before that, install the Leg (H) on the center cavity of Support Slats (G) as shown in FIGURE 04 (FIGURE 04-A - FIGURE 04-B).

FIGURE 04 - A

FIGURE 04 - B



ARHAUS®

your home

MALONE CANOPY QUEEN BED

STEP 6:

On the inside surface of the Side Rails are wooden cleat with cavities designed to hold the sets of Bed Slats(I). Insert both ends of the Bed Slat (I) on the cavity as shown in figure 05. Repeat the procedure until all the bed slats are set.

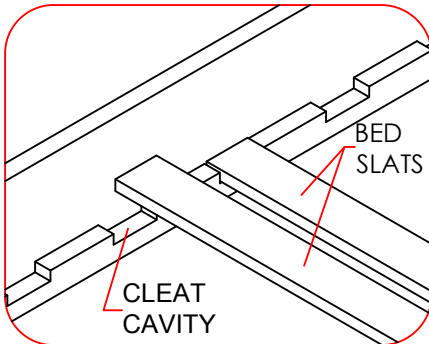
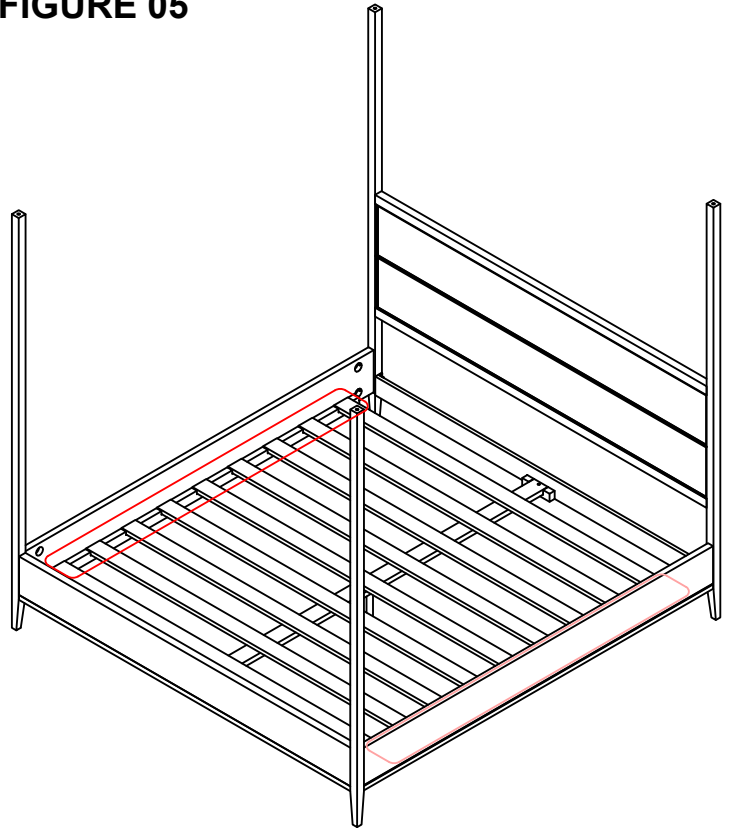


FIGURE 05



STEP 7:

With the assistance of a ladder, bring the Canopy Rail (J & K) up on top of the Posts and secure this to the cavity with Counter Sank Bolt(8) provided. Tighten all the bolts with Allen Wrench. Please see FIGURE 05.

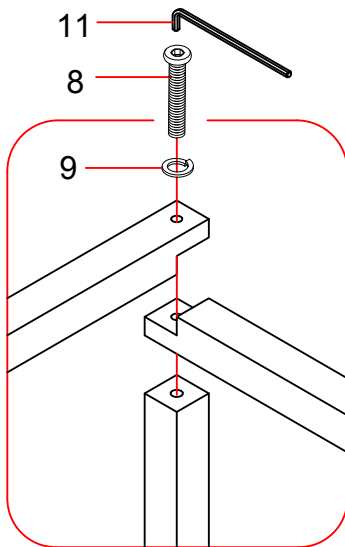
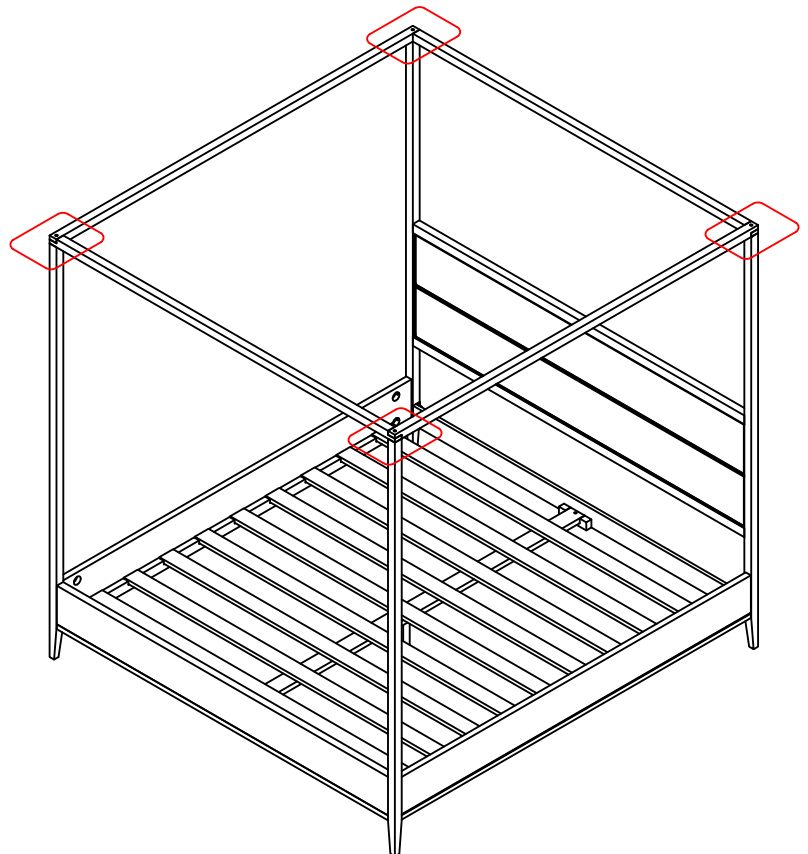


FIGURE 06



CARE INSTRUCTIONS

- Hardware may loosen over time, periodically check that all connections are tight or tighten them if necessary.
- Wipe with a soft, dry cloth, to protect the finish and avoid the use of all chemicals or any household cleaners.

Thank you for your purchase
www.arhaus.com

ARHAUS®

your home

MALONE KING BED

Thank you for choosing this quality product. Be sure to check all packaging materials carefully for small parts that may have become loose during shipment and place all parts on a non-abrasive surface.

!WARNING: These bed parts can be cumbersome and heavy to some people, therefore the assistance of two or more people is recommended in order to prevent personal injury and ensure the bed are not damaged during the assembly process.

PARTS INCLUDED

- A. [1] HEADBOARD
- B. [1] FOOTBOARD
- C. [1] SET] SIDE RAILS
- D. [2] SUPPORT SLAT
- E. [2] LEG
- F. [9] BED SLATS

HARDWARE PARTS

- 1. [8] THREADED ROD 
- 2. [8] HEX NUTS 
- 3. [8] LOCK WASHER 
- 4. [8] CURVED SLOTTED WASHER 
- 5. [1] WRENCH 

ASSEMBLY INSTRUCTION

STEP 1:

Place the Headboard (A) upright in the position you wish the bed to be in when fully assembled. The headboard bed fast hardware should be facing inside, toward the mattress. Secure the Threaded Rod (1) to the fixed nut in the Headboard (A) by simply turning it manually. Raise the Side Rail (C) up and set the Rod (1) to align with the bore holes on the end of the Side Rails (C). Put the Side Rails (C) up against the Headboard (A) so the Threaded Rod (1) go through the bore hole. Insert Curved Slotted Washer (4) and Lock Washer (3), then engage Hexagonal Nuts (2) on Threaded Rod (1) and tighten the Hexagonal Nuts (2) with Open Wrench (5), as illustrated in FIGURE 01.

STEP 2:

Repeat the above procedure with the other Side Rail (C) to attach it to the Headboard (A), and then repeat to connect Side Rails (C) to the foot board (B).

NOTE: Tighten all the nuts to snug fit.

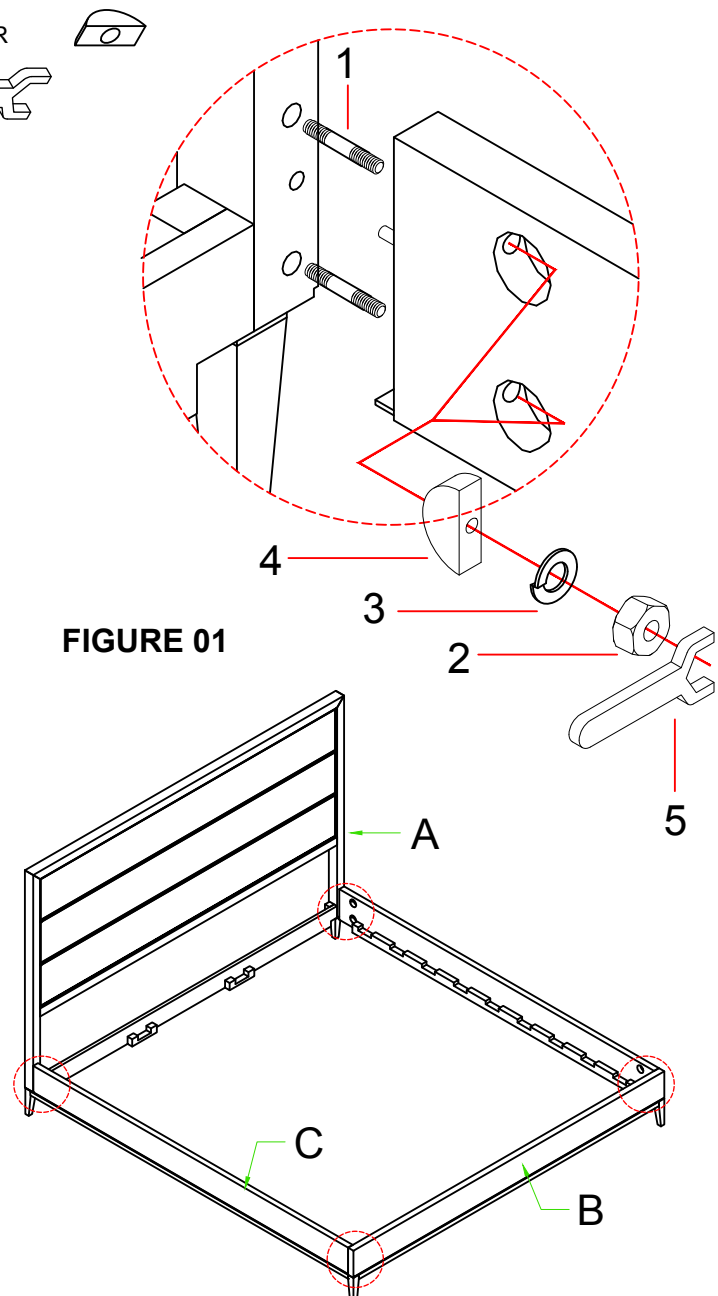


FIGURE 01

ARHAUS®

your home

MALONE KING BED

STEP 3:

Set the Support Slats (D) on the wooden brackets of both Headboard (A) and Foot Board (B) but before that, install the Leg (E) on the center cavity of Support Slat (D) as shown in FIGURE 02 (FIGURE 02-A - FIGURE 02-B).

FIGURE 02

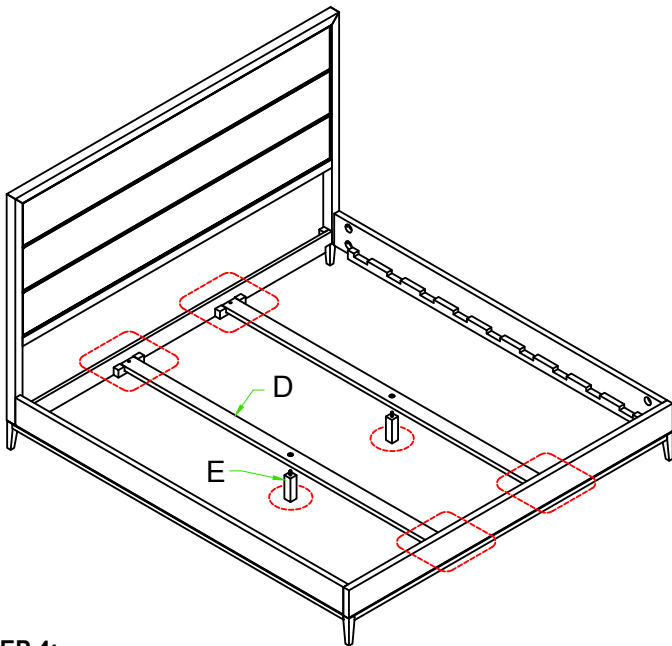


FIGURE 02 - A

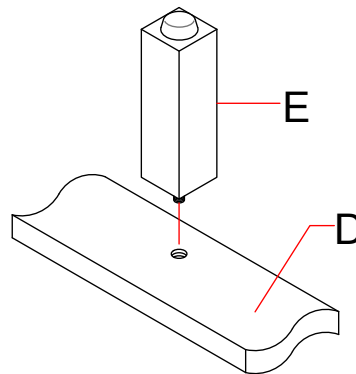
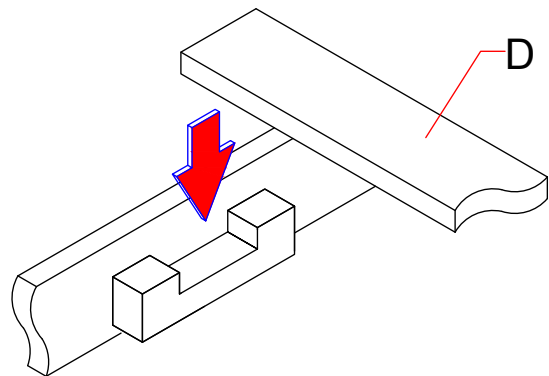


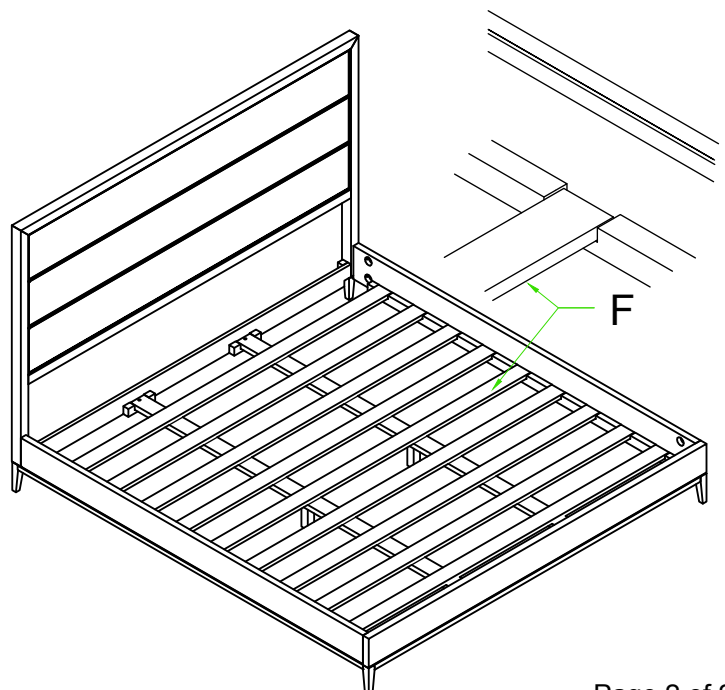
FIGURE 02 - B



STEP 4:

On inside face of both Side Rails (C) there is pre installed cleat and cavities designed to hold the individual Bed Slats (F). Gently set the Bed Slats (F) on both cavities of the Side Rails (C) as shown in FIGURE 03.

FIGURE 03



CARE INSTRUCTIONS

- Hardware may loosen over time, periodically check that all connections are tight or tighten them if necessary.
- Wipe with a soft, dry cloth, to protect the finish and avoid the use of all chemicals or any household cleaners.

Thank you for your purchase
www.arhaus.com

ARHAUS

your home

MALONE NIGHTSTAND

Thank you for choosing this quality product. Be sure to check all packaging materials carefully for small parts that may have become loose during shipment and place all parts on a non-abrasive surface.

! WARNING: These case parts can be cumbersome and heavy to some people, therefore the assistance of two or more people is recommended in order to prevent personal injury and ensure the case are not damaged during the assembly process.

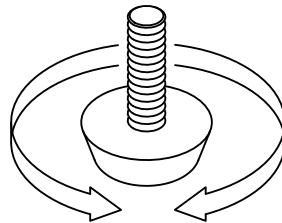
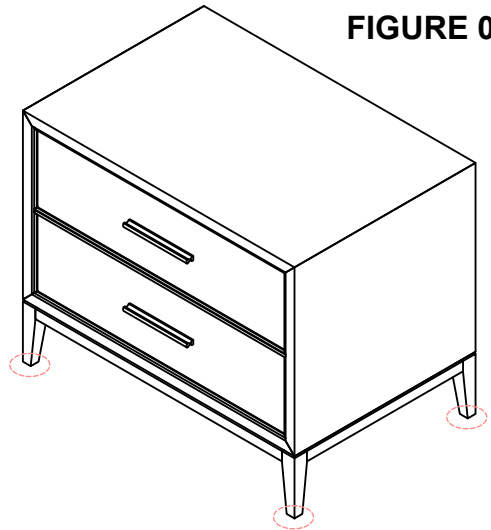
INSTALLATION INSTRUCTIONS

From the desired location, pre-set the unit 16" to 20" from the wall, examine the alignment of the drawers if leveling is necessary. If needed, slightly tilt the base and turn the head of the levelers clockwise to raise the furniture and counter clockwise to lower it. Adjust all levelers until the correct level or flatness is achieved. Repeat adjustment procedures if necessary, after the furniture settles on rugs

CARE INSTRUCTIONS

- Dust often using a clean, soft, dry lint-free cloth.
- Blot spills immediately, and wipe with a clean, damp, cloth.
- We do not recommend the use of chemical cleansers, abrasives, or furniture polish on our lacquered finish.

FIGURE 01



Thank you for your purchase
www.arhaus.com

ARHAUS®

your home

MALONE QUEEN BED

Thank you for choosing this quality product. Be sure to check all packaging materials carefully for small parts that may have become loose during shipment and place all parts on a non-abrasive surface.

!WARNING: These bed parts can be cumbersome and heavy to some people, therefore the assistance of two or more people is recommended in order to prevent personal injury and ensure the bed are not damaged during the assembly process.

PARTS INCLUDED

- A. [1] HEADBOARD
- B. [1] FOOTBOARD
- C. [1] SET] SIDE RAILS
- D. [1] SUPPORT SLAT
- E. [1] LEG
- F. [9] BED SLATS

HARDWARE PARTS

- 1. [8] THREADED ROD 
- 2. [8] HEX NUTS 
- 3. [8] LOCK WASHER 
- 4. [8] CURVED SLOTTED WASHER 
- 5. [1] WRENCH 

ASSEMBLY INSTRUCTION

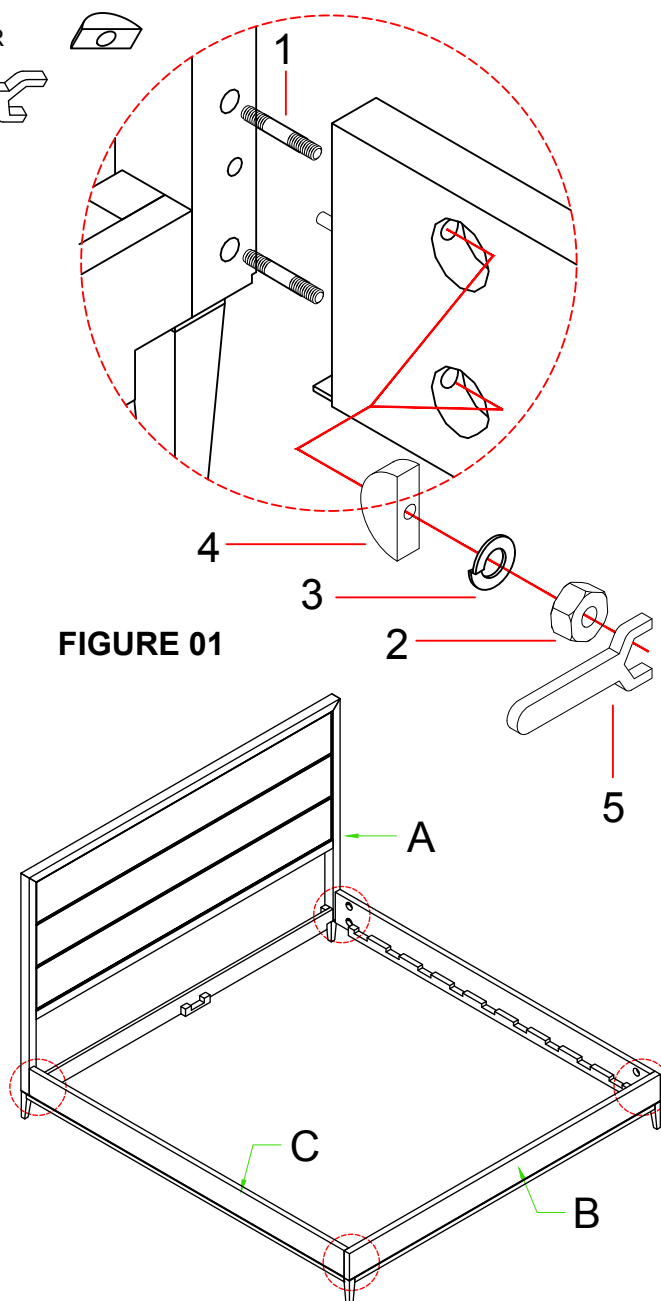
STEP 1:

Place the Headboard (A) upright in the position you wish the bed to be in when fully assembled. The headboard bed fast hardware should be facing inside, toward the mattress. Secure the Threaded Rod (1) to the fixed nut in the Headboard (A) by simply turning it manually. Raise the Side Rail (C) up and set the Rod (1) to align with the bore holes on the end of the Side Rails (C). Put the Side Rails (C) up against the Headboard (A) so the Threaded Rod (1) go through the bore hole. Insert Curved Slotted Washer (4) and Lock Washer (3), then engage Hexagonal Nuts (2) on Threaded Rod (1) and tighten the Hexagonal Nuts (2) with Open Wrench (5), as illustrated in FIGURE 01.

STEP 2:

Repeat the above procedure with the other Side Rail (C) to attach it to the Headboard (A), and then repeat to connect Side Rails (C) to the foot board (B).

NOTE: Tighten all the nuts to snug fit.



ARHAUS®

your home

MALONE QUEEN BED

STEP 3:

Set the Support Slats (D) on the wooden brackets of both Headboard (A) and Foot Board (B) but before that, install the Leg (E) on the center cavity of Support Slat (D) as shown in FIGURE 02 (FIGURE 02-A - FIGURE 02-B).

FIGURE 02

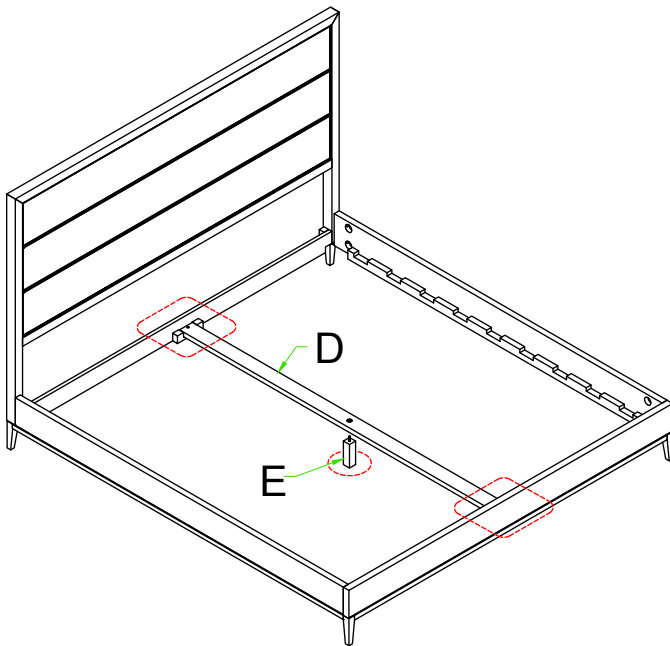


FIGURE 02 - A

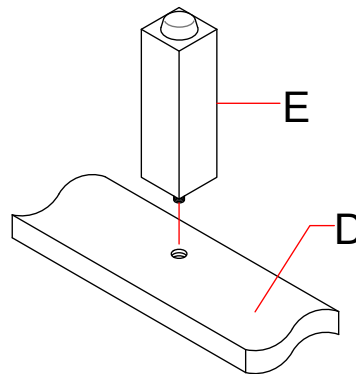
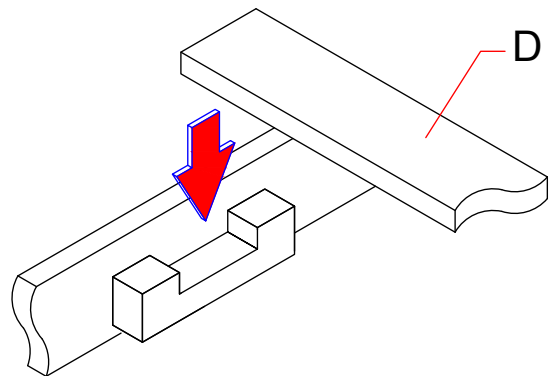


FIGURE 02 - B



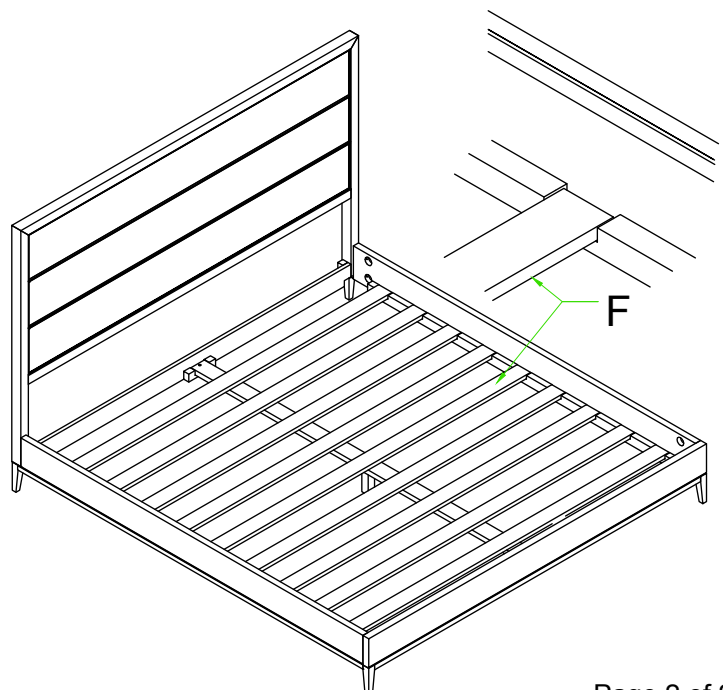
STEP 4:

On inside face of both Side Rails (C) there is pre installed cleat and cavities designed to hold the individual Bed Slats (F). Gently set the Bed Slats (F) on both cavities of the Side Rails (C) as shown in FIGURE 03.

CARE INSTRUCTIONS

- Hardware may loosen over time, periodically check that all connections are tight or tighten them if necessary.
- Wipe with a soft, dry cloth, to protect the finish and avoid the use of all chemicals or any household cleaners.

FIGURE 03



Thank you for your purchase
www.arhaus.com

BEDROOM PARTS SKUS

Super Category	Product ID	Description	Stat	Collection
BEDROOM	91MALONEBONELEG	MALONE 11 DR DRSR BONE 1 LEG 3032690-1260	A	PT-MALONE
BEDROOM	91MALONESPARROWLEG	MALONE 11 DR DRSR SPRRW 1 LEG 3032689-2300	A	PT-MALONE
BEDROOM	91MALOKGASHW	MALONE BED ASSEMBLY HW KING HARDWARE	A	PT-MALONE
BEDROOM	91MALOQNASHW	MALONE BED ASSEMBLY HW QUEEN HARDWARE	A	PT-MALONE
BEDROOM	91MALOKQCSLG	MALONE BED CENTR SP LEG KG/QN 1 PIECE	A	PT-MALONE
BEDROOM	91MALOKQFTGL	MALONE BED FOOT GLIDE KG/QN 1 FOOT GLIDE	A	PT-MALONE
BEDROOM	91MALOKGSLTS	MALONE BED SLATS KING 1 SET	A	PT-MALONE
BEDROOM	91MALOQNSLTS	MALONE BED SLATS QUEEN 1 SET	A	PT-MALONE
BEDROOM	91MALONECANOPYHW	MALONE CANOPY HARDWARE HARDWARE	A	PT-MALONE
BEDROOM	91MALONTDRGL	MALONE NT DRAWER GLIDES PAIR OF METAL DRWR GLIDES	D	PT-MALONE
BEDROOM	91MALONTPULL	MALONE NT DRW PULL 1 PC = 7" PULL WITH SCREWS	A	PT-MALONE
BEDROOM	91MALOWDPULL	MALONE WD DRW PULL 1 PC = 9" PULL WITH SCREWS	A	PT-MALONE
BEDROOM	91MALOWDFTGL	MALONE WD NGHT FTGL QTY 4 SET OF 4 ADJ FOOT GLIDES	A	PT-MALONE
BEDROOM	91MALOWDDRGL	MALONE WDDR/NIGTH GLIDE 1 PAIR PAIR OF METAL DRWR GLIDES	A	PT-MALONE

ARHAUS®

your home

mandara



King Bed
82.5" w x 85.5" d x 70.5" h
45MANDARAKG

Queen Bed
69" w x 85.5" d x 70.5" h
45MANDARAQN



Nightstand
27.75" w x 19" d x 27.75" h
45MANDARANT



Finish:
Javanese
Grey

an authentic work of art

Completely hand-carved over a week by a single artisan—each piece of our Mandara collection is sculpted from solid mahogany. Indonesian craftsmen create stunning designs in small, limited quantities using traditional, time-honored techniques. Featuring incredible detailing and intricately scrolling floral motifs, every wooden surface of these beautiful bedroom masterpieces is artisan-finished and lacquered for added protection and subtle sheen. Simple finishes emphasize every carved pattern, allowing natural shadows to define each sculpted line and curve.

product details

- ▶ Handcrafted by Indonesian artisans from solid mahogany and mahogany veneers.
- ▶ Scrolling floral motifs are meticulously hand-carved over a week by a single artisan, using traditional tools and techniques.
- ▶ Wooden surfaces are beautifully hand-painted in our distressed Javanese Grey finish layered with a subtle white glaze to further accentuate the carvings' stunning details.
- ▶ Finishes are coated in lacquer for added protection.
- ▶ Each piece is accented with simple, stainless steel hardware.
- ▶ Frames are reinforced with engineered hardwood for added stability.
- ▶ This collection is artisan-crafted from natural materials with hand-applied finishes. Individual pieces may vary in color, pattern, shape, and texture, making each truly unique.
- ▶ Natural wood may display small splits, knots, joint lines, or other organic features that will not affect the quality or performance of your piece.
- ▶ Platform-style beds do not require box springs.
- ▶ Mandara bed frames accommodate for variances in mattress sizes and allow bedding to be tucked in.
- ▶ Bed frames are not compatible with motion bases.
- ▶ Nightstands feature drawers mounted on metal soft-close glides.
- ▶ Keep your furniture looking its best. Visit arhaus.com or speak to any Arhaus Design Consultant for care recommendations.



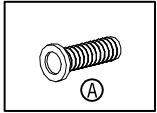
ARHAUS

your home

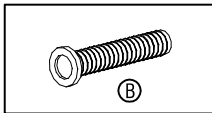
Mandara Bed

Assembly Instruction

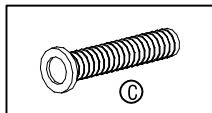
LIST OF HARDWARE PROVIDED



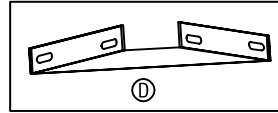
Small Bolt 16 pcs



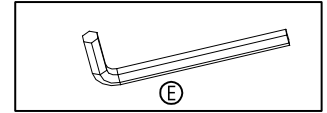
Large Bolt 4 pcs



Medium bolt 5 pcs

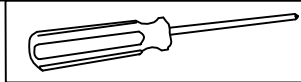


Metal corner 4 pcs



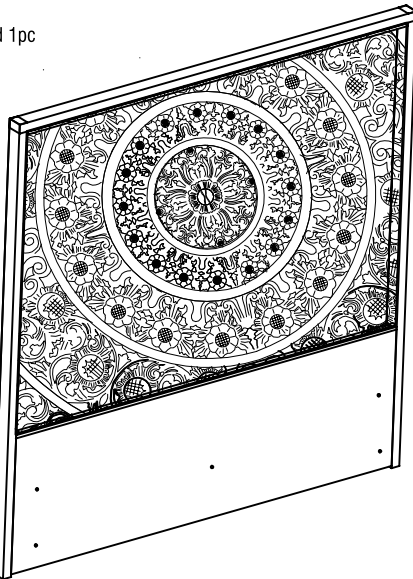
Allen Key 1 pc

TOOLS REQUIRED

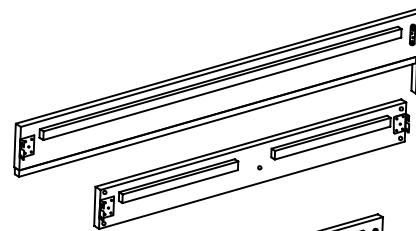


PART

Headboard 1pc



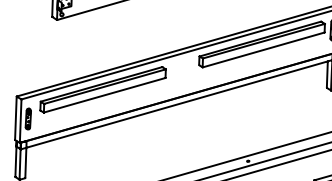
(F)



Side Rail 2 pcs

(G)

(H)



FootBoard 2 pcs

(I)

Center Bed 1 pc

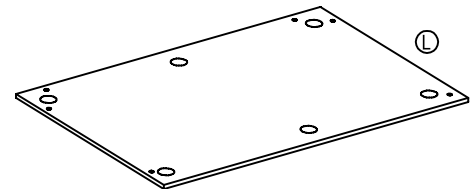
(J)

Legs 1 pc

(K)

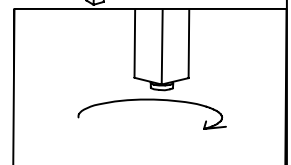
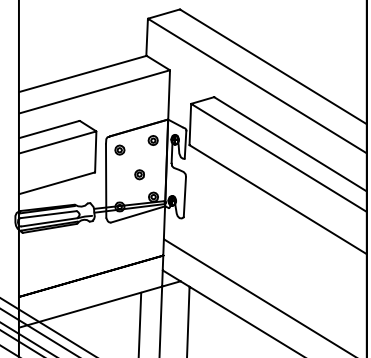
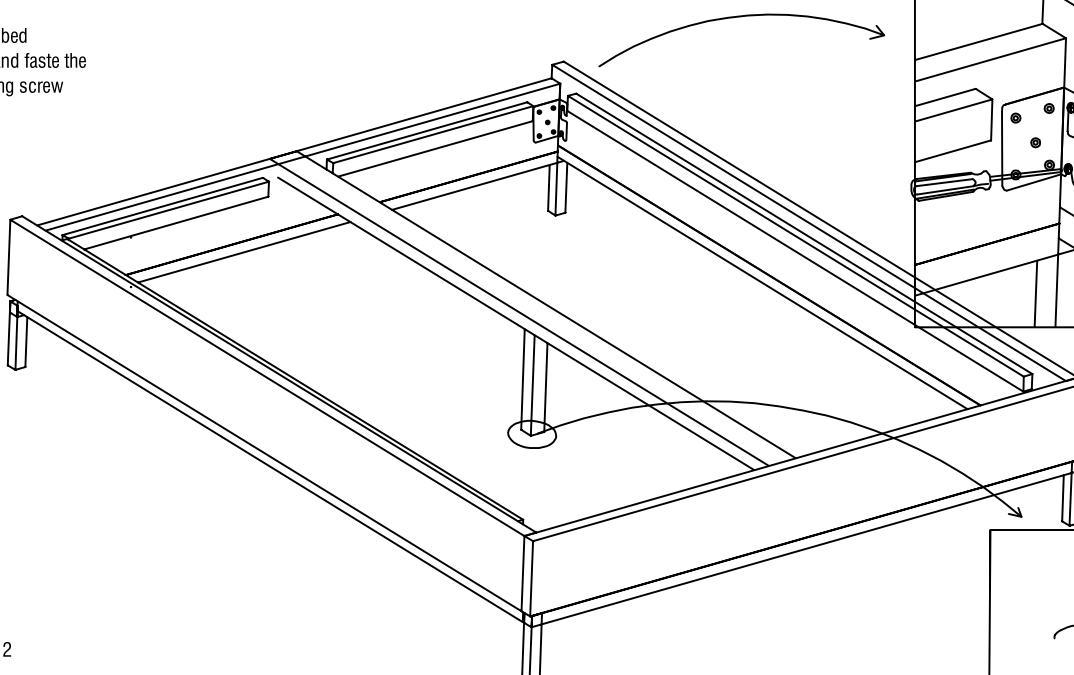
Mattress Slat 2 pcs

(L)



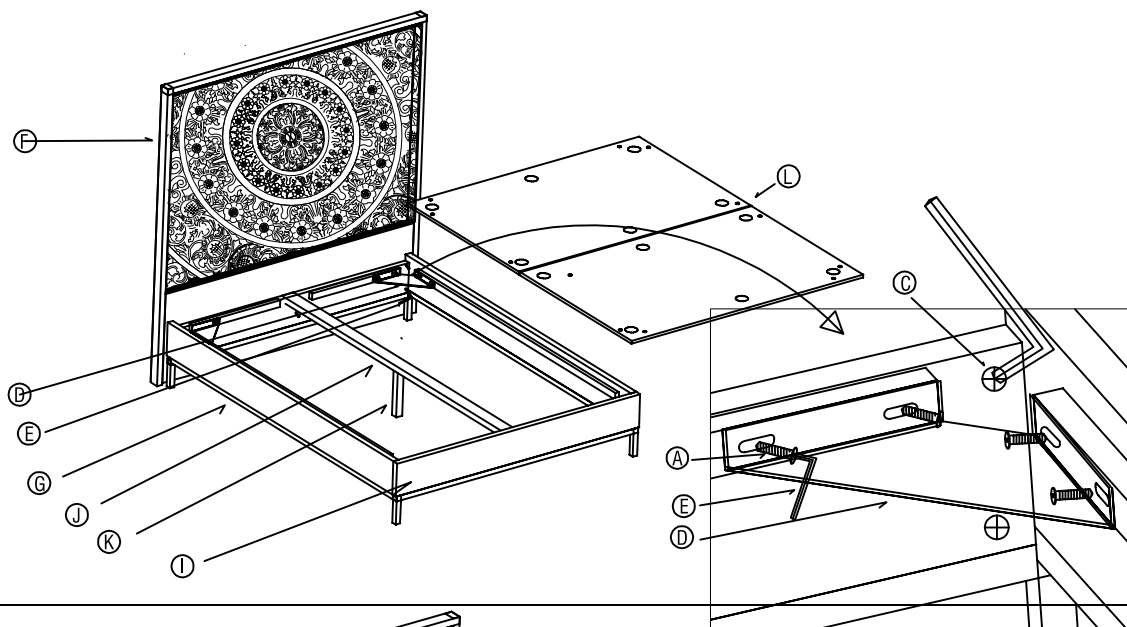
Step 1

Assemble the bed components and fasten the connector using screw driver



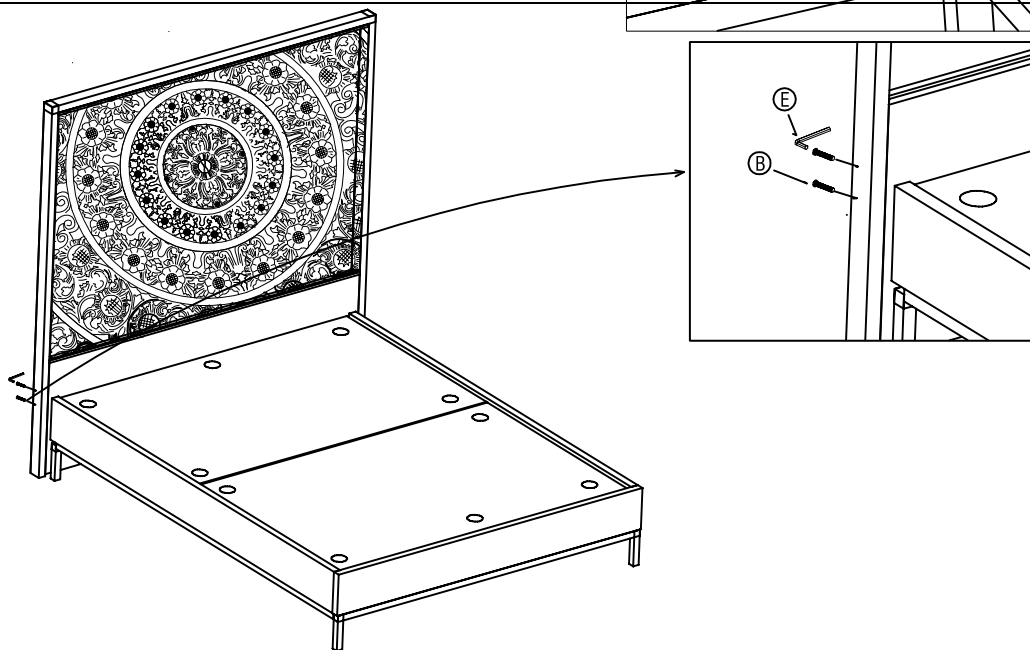
Step 2

Attach the corner and secure it with small bolts



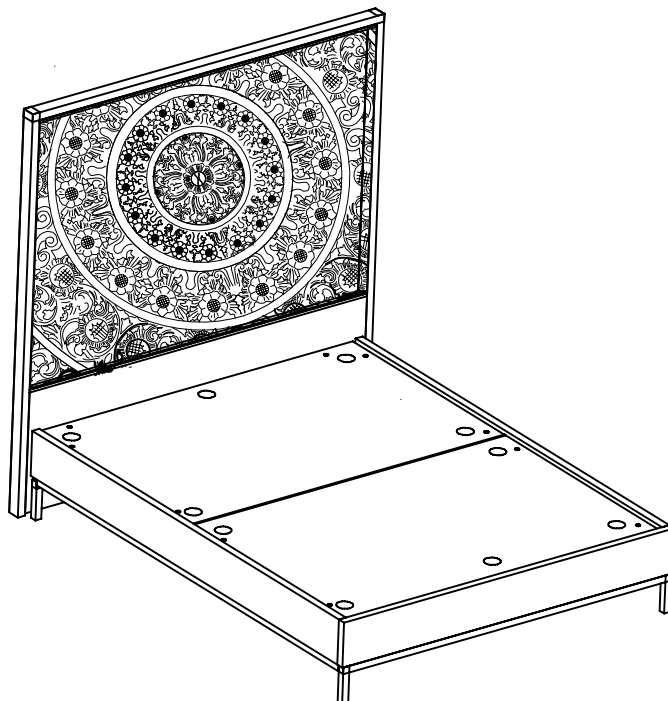
Step 3

Attach the bolts behind the headboard as illustrated and put on the mattress slat



Step 4

The Bed is ready to use



BEDROOM PARTS SKUS

Super Category	Product ID	Description	Collection	Route
BEDROOM	91MANDARAKHW	MANDARA KING BED ASSEMBLY HW	PT-MANDARA	PART
BEDROOM	91MANDARAQHW	MANDARA QUEEN BED ASSEMBLY HW	PT-MANDARA	PART

shown in Vocal Caspian



GRAND AND GLAMOROUS

our Mariah Collection invites you to rest and relax in luxurious style. Mariah's artisan-upholstered frame, hand-sewn in soft, velvety fabric, features an elegantly contoured headboard accentuated by hand-tufted detailing with matching fabric-wrapped buttons.

PRODUCT DETAILS

- + Frames are craftsman-built in America using solid, reinforced hardwood certified by the Sustainable Forestry Initiative.
- + Solid wood legs are hand-stained in a rich Fossil finish.
- + Upholstered surfaces contain dense foam made from partially plant-based material, padded with poly fibers.
- + A trio of solid hardwood panels rest securely on solid wood braces attached to side rails for added strength and reliable support.
- + We recommend pairing with our Retreat 4" Platform.
- + Frames include space to accommodate variances in mattress sizes and to allow bedding to be tucked into the frame.
- + Keep your furniture looking its best. Visit arhaus.com or speak to any Arhaus Design Consultant for care recommendations.

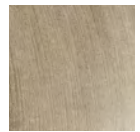
FABRICS:



Tesia Oyster



Vocal Caspian



Veronica Latte

FINISH:



Fossil

**available by special order*

NEED HELP?

Visit a store, call **866.427.4287**, or **live chat** with our Design Team to learn more.

shown in
Veronica Latte



KING BED

83" w x 91" d x 64" h

Tesia Oyster 45MARTOKKT
Vocal Caspian 45MARVCKKT
Veronica Latte 45MARKGVLKT

QUEEN BED

72" w x 99" d x 64" h

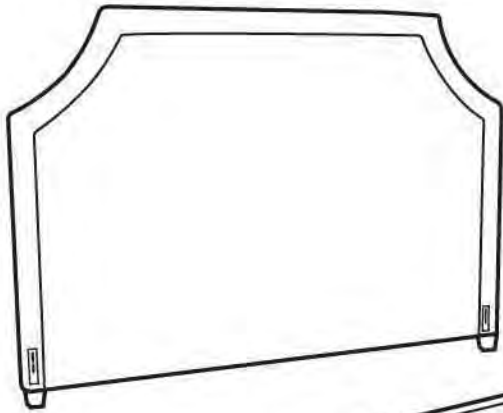
Tesia Oyster 45MARTOQKT
Vocal Caspian 45MARVCQKT
Veronica Latte 45MARQNLKT

CALIFORNIA KING BED*

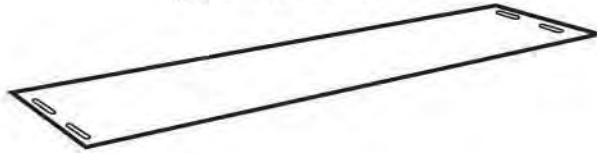
83" w x 104" d x 64" h

Components:

(1) Head Board

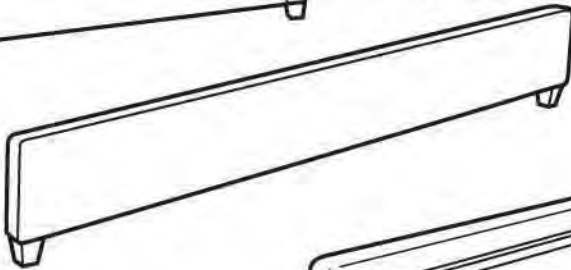


(3) Slats Panels

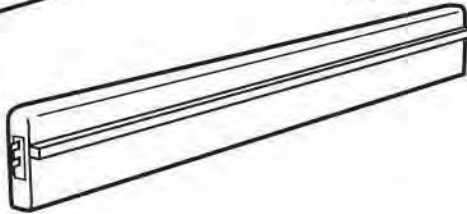


(3) Height Adustable Support Legs

(1) Footboard

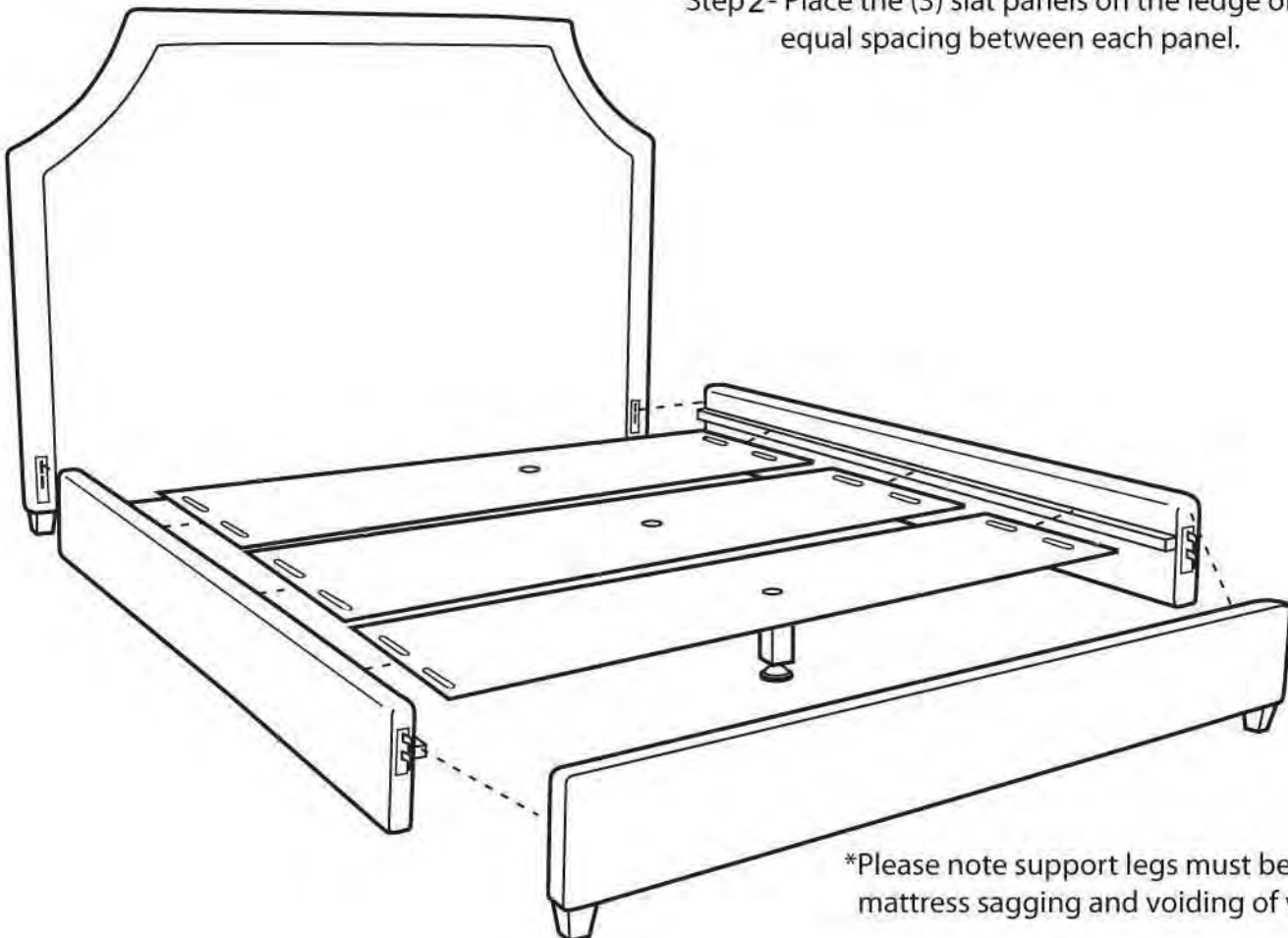


(2) Side Rails



Step 1-Assemble the headboard, footboard and side rails as shown in diagram.

Step2- Place the (3) slat panels on the ledge of the side rails with equal spacing between each panel.



*Please note support legs must be used to prevent mattress sagging and voiding of warranty.

Parts Inventory

Super Category	Product ID	Description	Stat	Collection	Route
UPHOLSTERY	CS14BDUPHRAIL	14BD-Q4HB SIDE BED RAILS UPH - SPECIFY RSF/LSF - NO DS	A	PT-MARIAH	

ARHAUS®

your home

maude



King Bed
79" w x 86" d x 48" h
45MAUDEKG

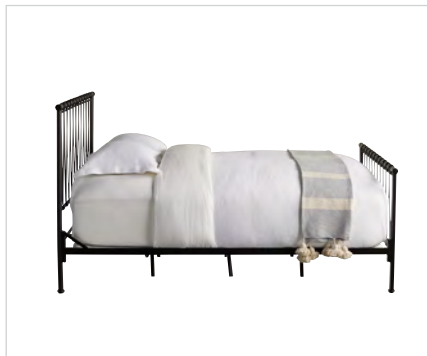
Queen Bed
63" w x 86" d x 48" h
45MAUDEQN

inspired by the cables of suspension bridges

the elegant shapes and modern aesthetic of our Maude bed collection is expertly crafted by furniture artisans from hand-forged wrought iron. Chic and durable frames are reinforced with solid iron bars forged to each bed rail, and smooth, black, finishes are powder-coated for additional protection.

product details

- ▶ Bed frames are craftsman-built from hand-forged wrought iron reinforced with solid iron bars forged to each bed rail—providing reliable support and stability for mattress sets.
- ▶ Iron frames feature a smooth, black, powder-coated finish for additional protection and durability.
- ▶ Bed frames include space to accommodate variances in mattress sizes and allow bedding to be tucked in.
- ▶ We recommend using with our Retreat 4" Platforms or Retreat 2.5" Platforms along with your mattress of choice.
- ▶ Footboards measure 32" h.
- ▶ Queen beds feature an internal cavity measuring 61.25" w x 80.75" d.
- ▶ King beds feature an internal cavity measuring 77.25" w x 80.75" d.
- ▶ Bed frames are compatible with Elite Motion Bases.
- ▶ Motion bases require leg extensions to fit bed frames. Leg extensions are sold separately.
- ▶ King beds require 16 leg extensions; Twin, Full, and Queen require 8 leg extensions (sold in packs of 4 sku: 917070EXTEND).
- ▶ Leg extensions are designed to be used with Retreat Motion Bases only.
- ▶ To add leg extensions to your order, ask in-store or call 866.427.4287 (select prompt #1) for details.
- ▶ Keep your furniture looking its best. Visit arhaus.com or speak to any Arhaus Design Consultant for care recommendations.

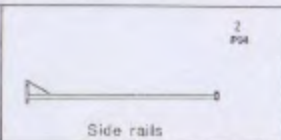
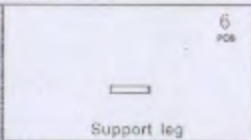
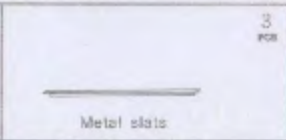


ASSEMBLING INSTRUCTION TDF1917Q (MAUDE QUEEN BED) ARHAUS FURNITURE

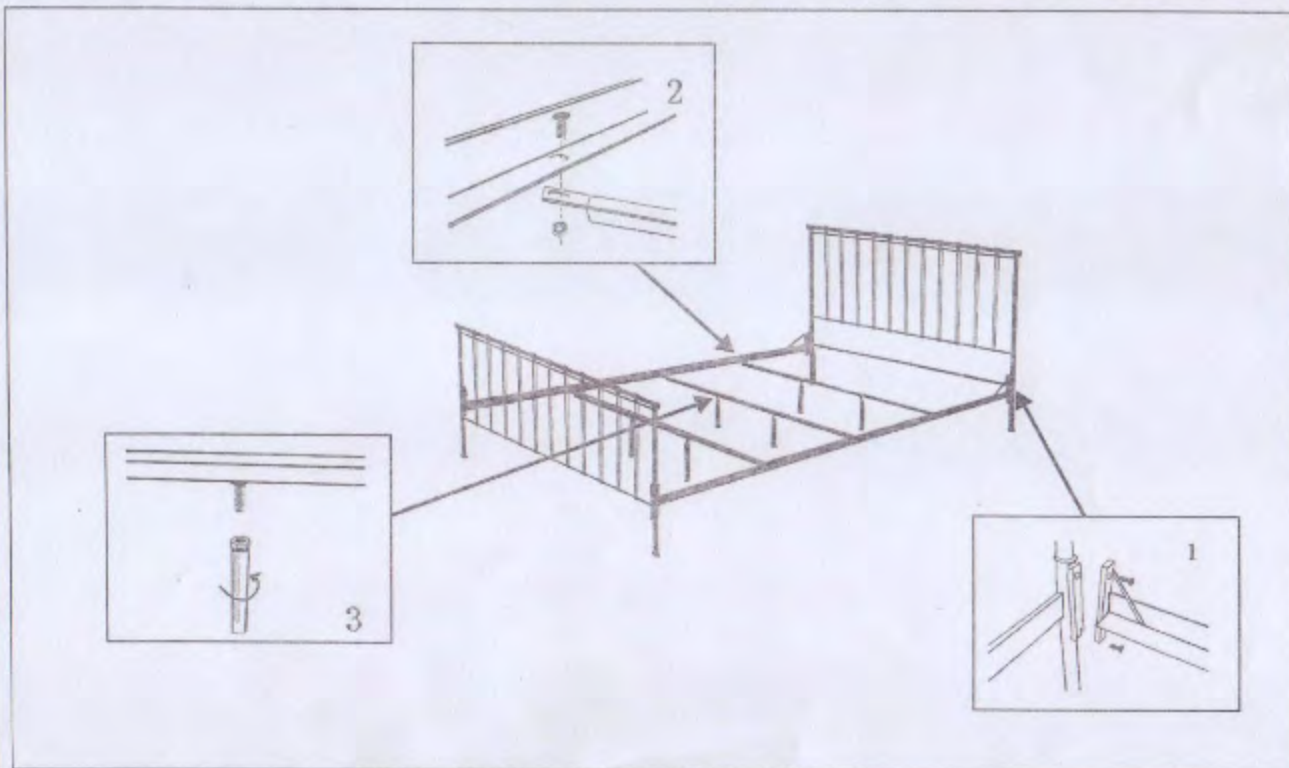
Carton No.1



Carton No.2



- A** 14 PCS
M8x15mm Screw
- B** 6 PCS
M8 screw cap
- C** 4 PCS
M38 feet pad
- D** 6 PCS
M26 support leg pad
- E** 1 PC
M6 allen key



BEDROOM PARTS SKUS

Super Category	Product ID	Description	Stat	Collection
BEDROOM	91MAUDEASHW	MAUDE BED ASSEMBLY HARDWARE 1 UNIT = 1 SET OF HARDWARE	A	PT-MAUDE
BEDROOM	91MAUDECSLEG	MAUDE CENTER SUPPORT LEG 1 UNIT = 1 CENTER SUPPORT LEG	A	PT-MAUDE



KING BED

83" w x 85.5" d x 60" h

Honey 45MAYAKG

Dark 45MAYADKGKT

QUEEN BED

67" w x 85.5" d x 60" h

Honey 45MAYAQN

Dark 45MAYADQNKT

AIRY TRADITIONAL STYLE

Inspired by the natural beauty of Indonesia, our Maya Beds are crafted by local artisans from rattan mesh and Manau rattan cane—the strongest and best quality rattan in the world. Indigenous to the Sumatra region of Indonesia, Manau is denser than other rattan, making it ideal for furniture-building. For added design and textural interest, Manau cane poles are hand-wrapped in half-split rattan. Steam-bent and woven frames are hand-stained in a warm honey finish to complement the materials' natural features.

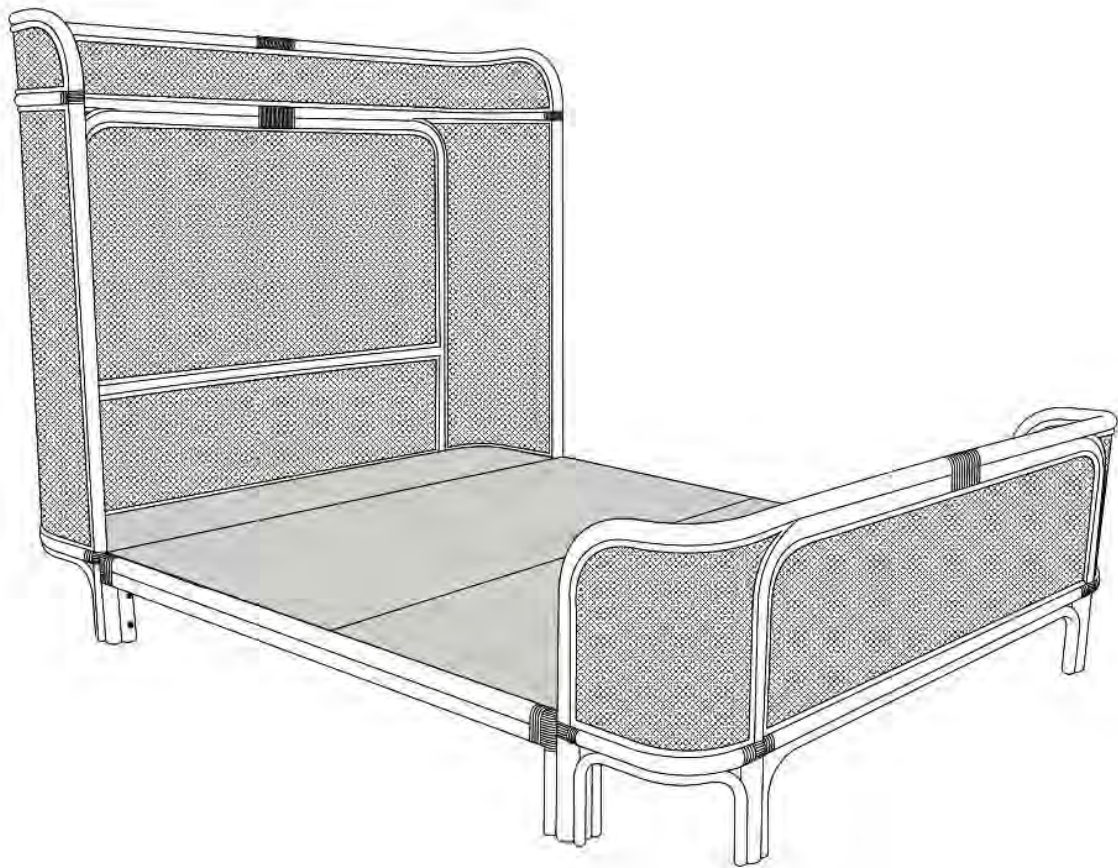


PRODUCT DETAILS

- + Artisan-crafted bed frames are built from woven rattan mesh and steam-bent Manau rattan cane from the Sumatra region of Indonesia.
- + Manau rattan is the strongest and best quality rattan in the world—with a high density that makes it ideal for furniture construction.
- + A five-step finishing process includes sanding the rattan by hand to ensure everything is impeccably smooth.
- + Bed frames are steam-bent and hand-stained to complement the rattan's natural features.
- + Stained finishes are coated in lacquer for added protection and subtle sheen.
- + We recommend using our Retreat 4" Platform with this bed, but Maya Beds do not require box springs.
- + Bed frames are designed to accommodate for variances in mattress sizes and allow bedding to be tucked in.
- + Maya bed frames are not compatible with motion bases.
- + Keep your furniture looking its best. Visit arhaus.com or speak to any Arhaus Design Consultant for care recommendations.

ARHAUS[®]

your home

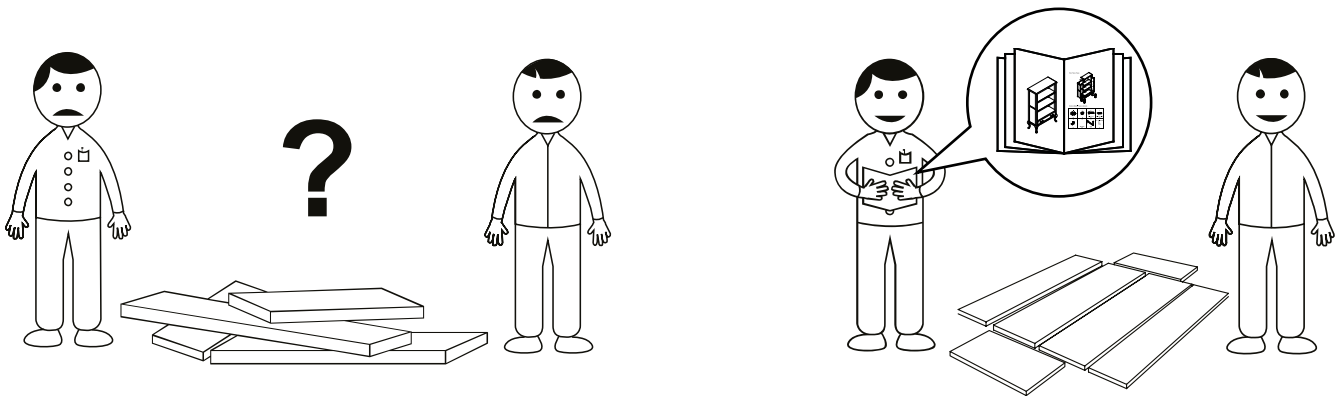
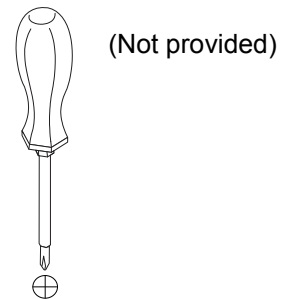
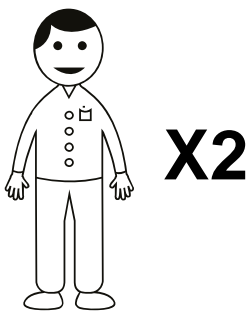


Assembly instructions

- **Hardware Located inside the Headboard Carton (Box 1)**

Care Instructions:

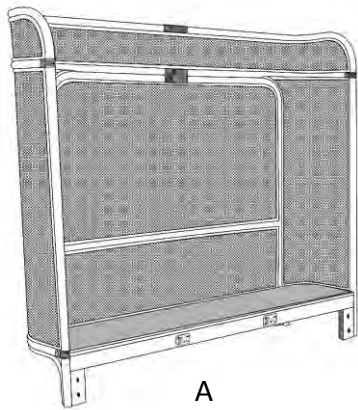
- Dust often using a clean, soft, dry and lint-free cloth.
- For spills, wipe with a clean, damp cloth immediately.
- We do not recommend the use of chemical cleansers, abrasives or furniture polish on our lacquered finish.
- Hardware may loosen over time. Periodically check to make sure all connections are tight. Re-tighten if necessary.



Assembly instructions

Parts Enclosed Box 1:

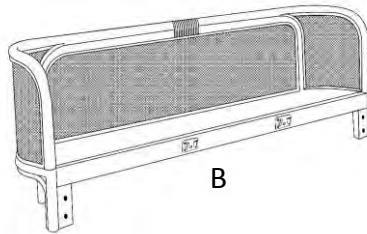
- (A) Headboard – 1x



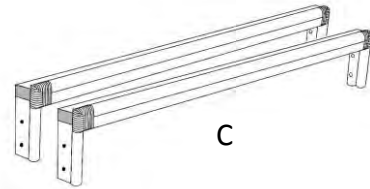
A

Parts Enclosed Box 2:

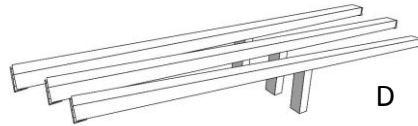
- (B) Footboard – 1x
- (C) Side Rails – 2x
- (D) Leg Supports – 3x
- (E) Mattress Supports – 2x



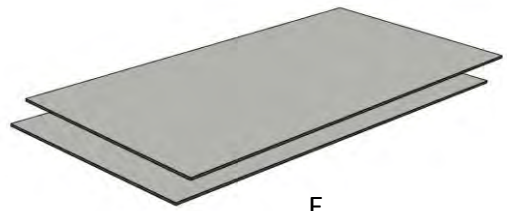
B



C

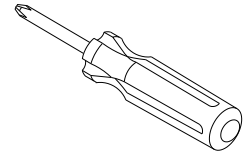


D

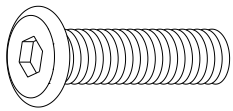


E

Tool Required:



Hardware :



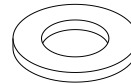
F



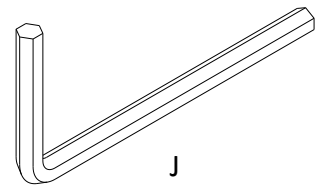
G



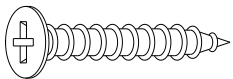
H



I



J



K

F. Allen Bolt M6 x 40 mm (8x)

G. Allen Bolt M6 x 70 mm (8x)

H. Spring Washer (16x)

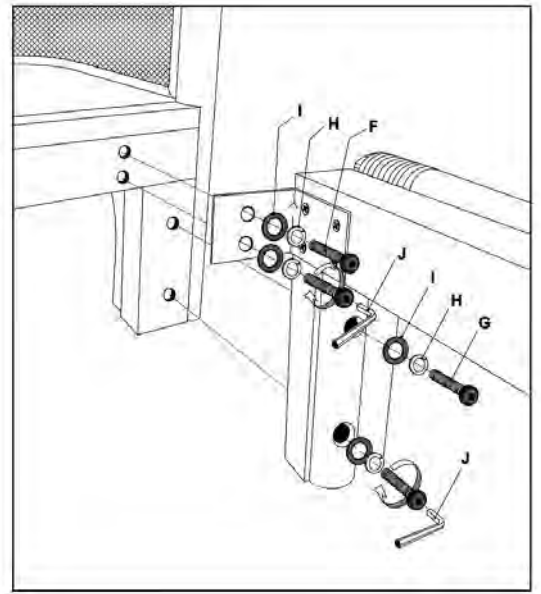
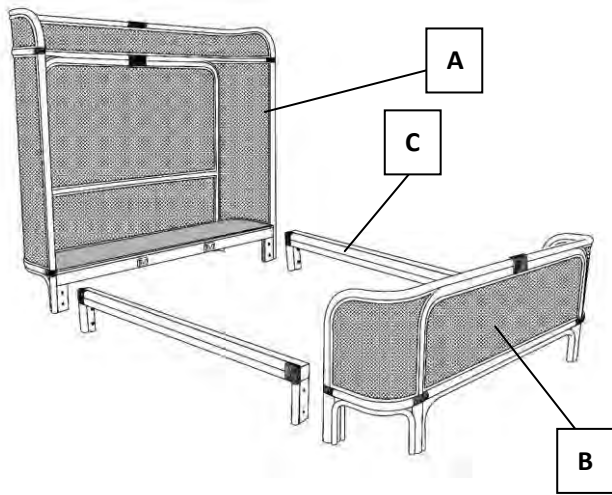
I. Flat Washer (16x)

J. Allen Key (1x)

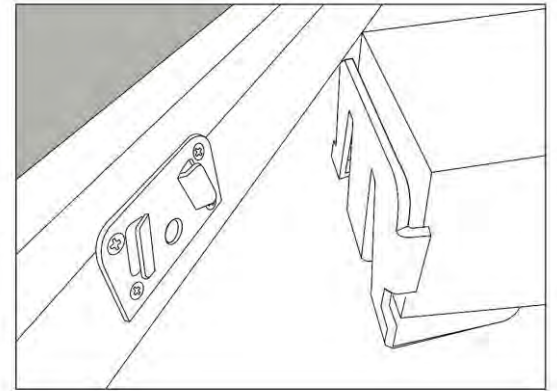
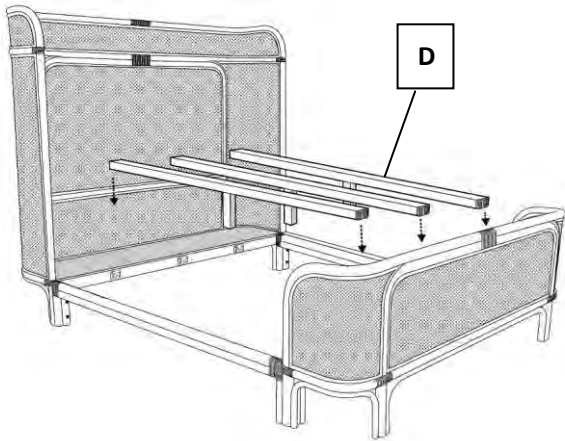
K. Screw 6 x 1"(8x)

KING BED HARDWARE: 91MAYAKGHW
QUEEN BED HARDWARE: 91MAYAQNHW

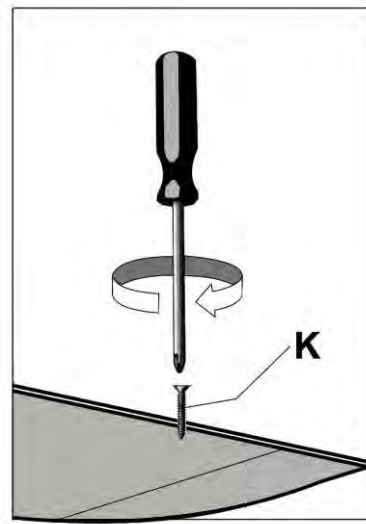
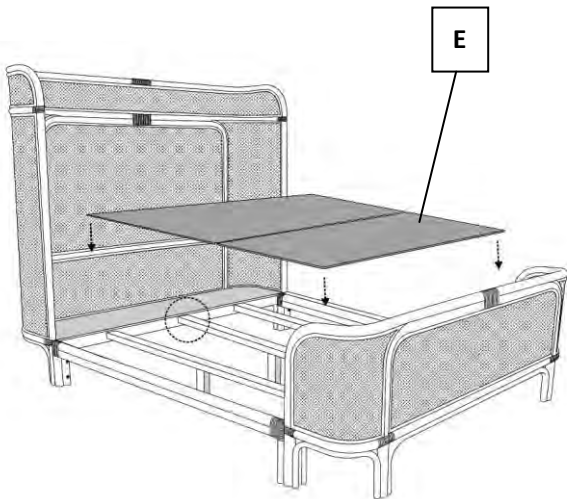
Assembly instructions



2



3



Assembly instructions



Assembly instructions

2017.10.11

5/5

BEDROOM PARTS SKUS

Super Category	Product ID	Description	Stat	Collection
BEDROOM	91MAYAKGHW	MAYA ASSEMBLY HW KING HINGE	A	PT-MAYA
BEDROOM	91MAYAQNHW	MAYA ASSEMBLY HW QUEEN HARDWARE	A	PT-MAYA

ARHAUS®

your home

MILLER

BEDROOM COLLECTION

MADE IN AMERICA



CLASSIC STYLE WITH GENEROUS STORAGE

Our Miller Bedroom Collection is large in both size and storage capacity. Handcrafted in America by a community of Amish artisans, each piece is constructed from solid walnut. Featuring soft curves and a waterfall shape, each Miller piece offers soft-close, spacious drawers accented by long, beautiful wooden pulls with subtle metal accents.

PRODUCT DETAILS

- + Pieces with our Walnut finish are made from solid walnut wood.
- + Due to their artisan-crafted nature, individual pieces may vary in color, pattern, shape, and texture, making them truly unique.
- + Natural wood may display small splits, knots, joint lines or other organic features, adding character to each piece without affecting its performance.
- + All pieces feature soft-closing drawers with long, wooden pulls complemented by subtle metal accents.
- + Large Nightstand drawer interiors measure 30" w x 14.75" d x 4.75" h
- + Small Nightstand drawer interiors measure 24.25" w x 12.75" d x 7.5" h
- + 6-Drawer Dresser drawer interiors measure 31.5" w x 16" d x 7" h
- + Tall Dresser top two drawer interiors measure 20" w x 16" d x 5.25" h; Remaining full-size drawer interiors measure 40.25" w x 16" d x 7.5" h.
- + Keep your furniture looking its best. Visit arhaus.com or speak to any Arhaus Design Consultant for care recommendations.

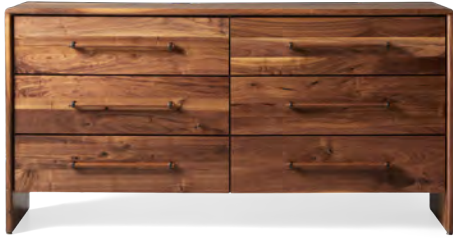
FINISH:



Walnut

NEED HELP?

Visit a store, call **866.427.4287**,
or **live chat** with our Design
Team to learn more.



6-DRAWER DRESSER

68" w x 19.25" d x 34" h

Walnut 45MILLRWALWD



TALL DRESSER

42" w x 19.25" d x 50" h

Walnut 45MILLRWALTD

IMAGE NOT
AVAILABLE

32" LARGE NIGHTSTAND

32" w x 18" d x 27" h

Walnut 45MILLRW32NT



26" SMALL NIGHTSTAND

26" w x 16" d x 25" h

Walnut 45MILLRW26NT

Super Category	Product ID	Description	Stat	Collection
BEDROOM	91MILR12HNDL	MILLER 12" HANDLE - QTY 1 MILLER 12" HANDLE - QTY 1	A	PT-MILLER
BEDROOM	91MILR16HNDL	MILLER 16" HANDLE - QTY 1 MILLER 16" HANDLE - QTY 1	A	PT-MILLER
BEDROOM	91MILLR8HNDL	MILLER 8" HANDLE - QTY 1 MILLER 8" HANDLE - QTY 1	A	PT-MILLER

ARHAUS®

your home

NOLAN

CAMDEN COLLECTION | MADE IN AMERICA

shown in
Dayo Cement



KING BED

83" w x 91" d x 61" h
Dayo Cement 45NOLDCKG
Norre Steel XNBFKBF*
Tumble White XNBFKBG*

QUEEN BED

70" w x 91" d x 61" h
Dayo Cement 45NOLDCKQ
Norre Steel XNBFQBF*
Tumble White XNBFQBG*

CALIFORNIA KING BED*

82" w x 98" d x 61" h
Norre Steel XNBFCKF*
Tumble White XNBFCKG*

**available by special order*

SOFT AND INVITING

Expertly fitted in elegant fabric, our Nolan beds will beautifully elevate your master or guest suites. Craftsman-built frames, made by American artisans, are constructed from solid, sustainably sourced hardwood and reinforced for superior stability. Upholstered surfaces are generously padded with dense, eco-friendly foam and poly-fiber for added softness, luxury, and comfort.

PRODUCT DETAILS

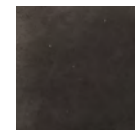
- + Craftsman-built frames are constructed using solid, reinforced, laminate hardwood for lasting strength and superior stability.
- + Made in America—this collection was handcrafted by upholstery artisans in North Carolina.
- + Arhaus upholstery is made using wood certified by the Sustainable Forestry Initiative.
- + Frames are fully padded in dense, eco-friendly foam—made partly from sustainable, plant-base materials—and poly-fiber to create a cozy backdrop.
- + A trio of hardwood panels attached to side rails deliver strong, reliable support.
- + Hand-applied wood finishes are lacquered for added protection and subtle sheen.
- + We recommend using our Retreat 4" Platform with this bed.
- + Bed frames include space to accommodate variances in mattress sizes and allow bedding to be tucked in.
- + Beds frames are also available in California King by special order. Speak to a Design Consultant for details.
- + Keep your furniture looking its best. Visit arhaus.com or speak to any Arhaus Design Consultant for care recommendations.



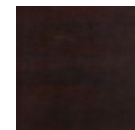
FABRICS:
Dayo Cement



Tumble
White*



Norre Steel*



FINISHES:
Hickory

**available by special order*

CRAFT A CUSTOM LOOK

This collection is available in customizable
Fabrics, Leathers, and more.
Visit a store, call **866.427.4287**, or **live chat**
with our Design Team to learn more.

shown in
Dayo Cement



KING HEADBOARD

83" w x 8" d x 61" h
Dayo Cement 45NOLKDCHB
Norre Steel XNBFKHF*
Tumble White XNBFKHG*

QUEEN HEADBOARD

70" w x 8" d x 61" h
Dayo Cement 45NOLQDCHB
Norre Steel XNBFQHF*
Tumble White XNBFQHG*

CALIFORNIA KING HEADBOARD*

82" w x 8" d x 61" h
Norre Steel XNBFHBF*
Tumble White XNBFHBG*

KING HEADBOARD WITH METAL
BED FRAME

83" w x 84.5" d x 61" h
Dayo Cement 45NOLDCKHBKT

QUEEN HEADBOARD WITH
METAL BED FRAME

68" w x 84.5" d x 61" h
Dayo Cement 45NOLDCQHBKT

METAL BED FRAME

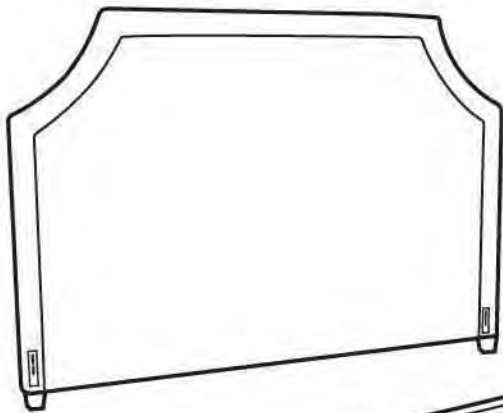
82" w x 8" d x 61" h
King 71" w x 76" d x 7.5" h 45KGMTFRMFM
Queen 71" w x 60" d x 7.5" h 45QNMTFRMFM

Metal Bed Frames are made from reinforced, recycled railroad steel supported by double center rails for increased strength and durability.

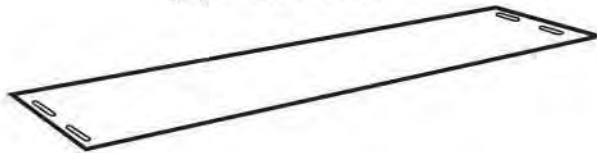
**available by special order*

Components:

(1) Head Board

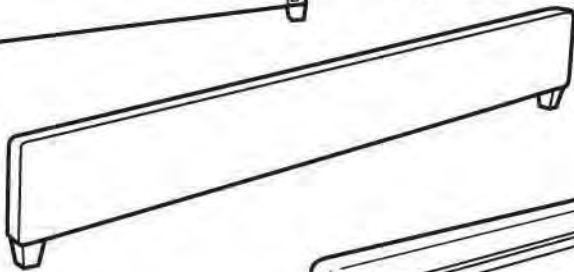


(3) Slats Panels

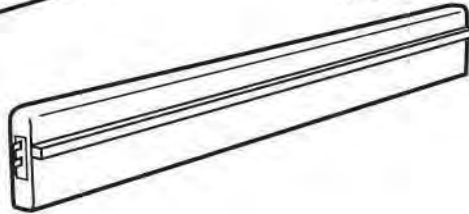


(3) Height Adustable Support Legs

(1) Footboard

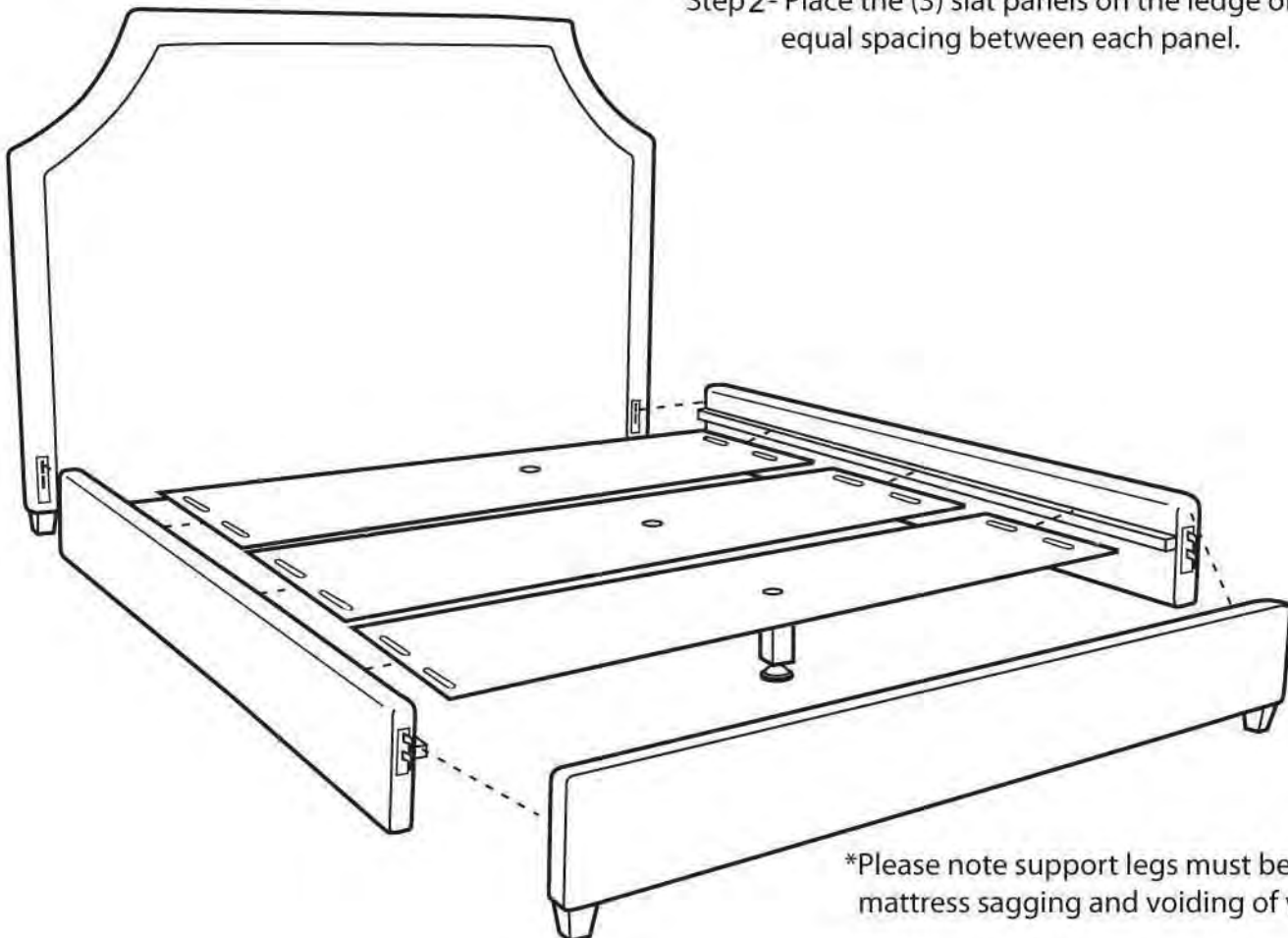


(2) Side Rails



Step 1-Assemble the headboard, footboard and side rails as shown in diagram.

Step 2- Place the (3) slat panels on the ledge of the side rails with equal spacing between each panel.



*Please note support legs must be used to prevent mattress sagging and voiding of warranty.

BEDROOM PARTS SKUS

Super Category	Product ID	Description	Collection	Route
BEDROOM	9114BD-K2N	NOLAN BED WOODEN SLAT KING	PT-NOLAN	PART
BEDROOM	9114BD-Q2N	NOLAN BED WOODEN SLAT QUEEN	PT-NOLAN	PART

ARHAUS®

your home

omani



Queen Bed

69" w x 89" d x 61" h

Veronica Carmel 45OMANIVCQN

Nona Parchment 45OMANINPQN

Lukas Tobacco XOMLQB3*

King Bed

85" w x 89" d x 61" h

Veronica Carmel 45OMANIVCKG

Nona Parchment 45OMANINPKG

Queen Headboard

69" w x 6" d x 61" h

Veronica Carmel 45OMANIVCQHB

Nona Parchment 45OMANINPQHB

King Headboard

85" w x 6" d x 61" h

Veronica Carmel 45OMANIVCKHB

Nona Parchment 45OMANINPKHB

Queen Headboard with Metal Frame

69" w x 83" d x 61" h

Veronica Carmel 45OMANIVCQKT

Nona Parchment 45OMANINPQKT

King Headboard with Metal Frame

85" w x 83" d x 61" h

Veronica Carmel 45OMANIVCKKT

Nona Parchment 45OMANINPKKT

Fabric:

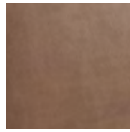


Veronica Carmel



Crypton®
Nona Parchment

Leather



Lukas Tobacco

Finish:



Fossil

your style your way

Craft a custom design that tells your style story.

This collection is available in special-order **Fabrics**,

Leathers, **Finishes**, and **more**, details below.

Ask in store or call 866.427.4287

soft and inviting

with a transitional design, our Omani collection features elegant, gently curved silhouettes crafted by expert furniture artisans in North Carolina to elevate your bedroom's aesthetic. Reinforced frames constructed from solid, sustainably sourced hardwood support hand-sewn upholstery generously padded with poly-fiber and high-density, eco-friendly foam. And, sumptuous fabrics cover pillowy headboards, adding a dramatic and luxuriously comfortable focal point to your space.

product details

- ▶ Craftsman-built frames are constructed using solid, reinforced, laminate hardwood for lasting strength and superior stability.
- ▶ Made in America—this collection was handcrafted by upholstery artisans in North Carolina.
- ▶ Arhaus upholstery is made using wood certified by the Sustainable Forestry Initiative.
- ▶ Solid hardwood panels rest on solid wood braces attached to the frame's side rails for reliable mattress support.
- ▶ Removable, lightly tapered legs are hand-stained in a rich finish and coated with lacquer for added protection and subtle sheen.
- ▶ Expertly tailored upholstery is padded with poly-fiber and dense, eco-friendly foam made partly from sustainable, plant-based material.
- ▶ Bed frames include space to accommodate variances in mattress sizes and allow bedding to be tucked in.
- ▶ Beds and headboards are available in easy-to-clean, soft yet durable Crypton® performance fabric—engineered with stain-, odor-, and moisture-resistant technology in every fiber.
- ▶ Crypton fabrics are Earth-friendly, recyclable, and sustainably certified—free of harsh chemicals and halogenated flame retardants.
- ▶ Queen Beds feature an internal cavity measuring 61.5" w x 81.5" d x 3.5" h.
- ▶ King beds feature an internal cavity measuring 77.5" w x 81.5" d x 3.5" h.
- ▶ Keep your furniture looking its best. Visit arhaus.com or speak to any Arhaus Design Consultant for care recommendations.



ARHAUS®

your home

palmer



King Bed

81" w x 85" d x 54" h
Natural Oak 45PALMWKKT2
Bali Brown 45PALMBRKGKT
Stone on Ash 45PALMSKKT

Queen Bed

64.5" w x 85" d x 54" h
Natural Oak 45PALMWQKT2
Bali Brown 45PALMBRQNK2
Stone on Ash 45PALMSQKT

California King

76.5" w x 85" d x 54" h
Natural Oak 45PALMWKKT2
Bali Brown 45PALMBRKGKT
Stone on Ash 45PALMSCKKT



King Storage Bed

80" w x 85" d x 54" h
Natural Oak 45PALMWKSB
Stone on Ash 45PALMSKSKT
Drawer interior: 18.5" w x 8" d x 7" h

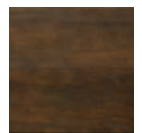
Queen Storage Bed

64" w x 85" d x 54" h
Natural Oak 45PALMWQSB
Stone on Ash 45PALMSQSKT
Drawer interior: 18.5" w x 8" d x 7" h

Finishes:



Natural Oak



Bali Brown



Stone on Ash

artisan-finished contemporary designs

Skillfully handcrafted by Indonesian artisans our Palmer Bedroom Collection's modern lines and contemporary, minimalist styling are designed to perfectly complement its practical functionality. Constructed from solid ash and ash veneer, American oak, or Indonesian mango wood this collection brings artistry and unique character to natural materials—highlighting the rich colors and organic features that make each piece one-of-a-kind. This suite of bedroom pieces is thoughtfully finished in natural and neutral tones to add a chic framework to any aesthetic.

product details

- ▶ Pieces finished in Natural Oak are craftsman-built from solid oak farm-grown and harvested in the United States.
- ▶ Pieces finished in Bali Brown are craftsman-built from solid mango sustainably harvested in Indonesia.
- ▶ Pieces finished in Stone on Ash are craftsman-built from solid ash wood surfaced with ash veneers for a consistent surface.
- ▶ Wood planks are hand-planed and sanded for a textured surface with a naturally weathered appearance.
- ▶ Surfaces are layered with several coats of glaze and stain to create rich natural wood tones.
- ▶ Finishes are lacquered with a matte topcoat for extra protection.
- ▶ Parsons-style iron bases are powder-coated to prevent rusting and provide a protective finish.
- ▶ Bed frames include space to accommodate variances in mattress sizes and allow bedding to be tucked into frame.
- ▶ Storage beds feature two drawers on each side, providing convenient space for clothes or linens.
- ▶ Storage nightstands are specifically designed to accommodate the drawers of our Storage Beds.
- ▶ California King Bed frame cavity measures 73" w x 85" d
- ▶ King Bed frame cavity measures 77" w x 80.25" d
- ▶ Queen Bed frame cavity measures 73" w x 85" d
- ▶ Bed frame clearance measures 8" h.
- ▶ Keep your furniture looking its best. Visit arhaus.com or speak to any Arhaus Design Consultant for care recommendations.



ARHAUS®

your home



7-Drawer Dresser

63" w x 18" d x 34.5" h

Natural Oak	45PALMW7DR2
Bali Brown	45PALMBR7DR
Stone on Ash	45PALMS7DR



2-Over-4 Dresser

33" w x 18" d x 49.5" h

Natural Oak	45PALMW242
Bali Brown	45PALMBR24
Stone on Ash	45PALMS24



3-Drawer Chest

32" w x 18" d x 34" h

Natural Oak	45PALMW3DRC
Stone on Ash	45PALMS3DRC



Nightstand

19.5" w x 16" d x 28" h

Natural Oak	45PALMWNT2
Bali Brown	45PALMBRNT
Stone on Ash	45PALMSNT

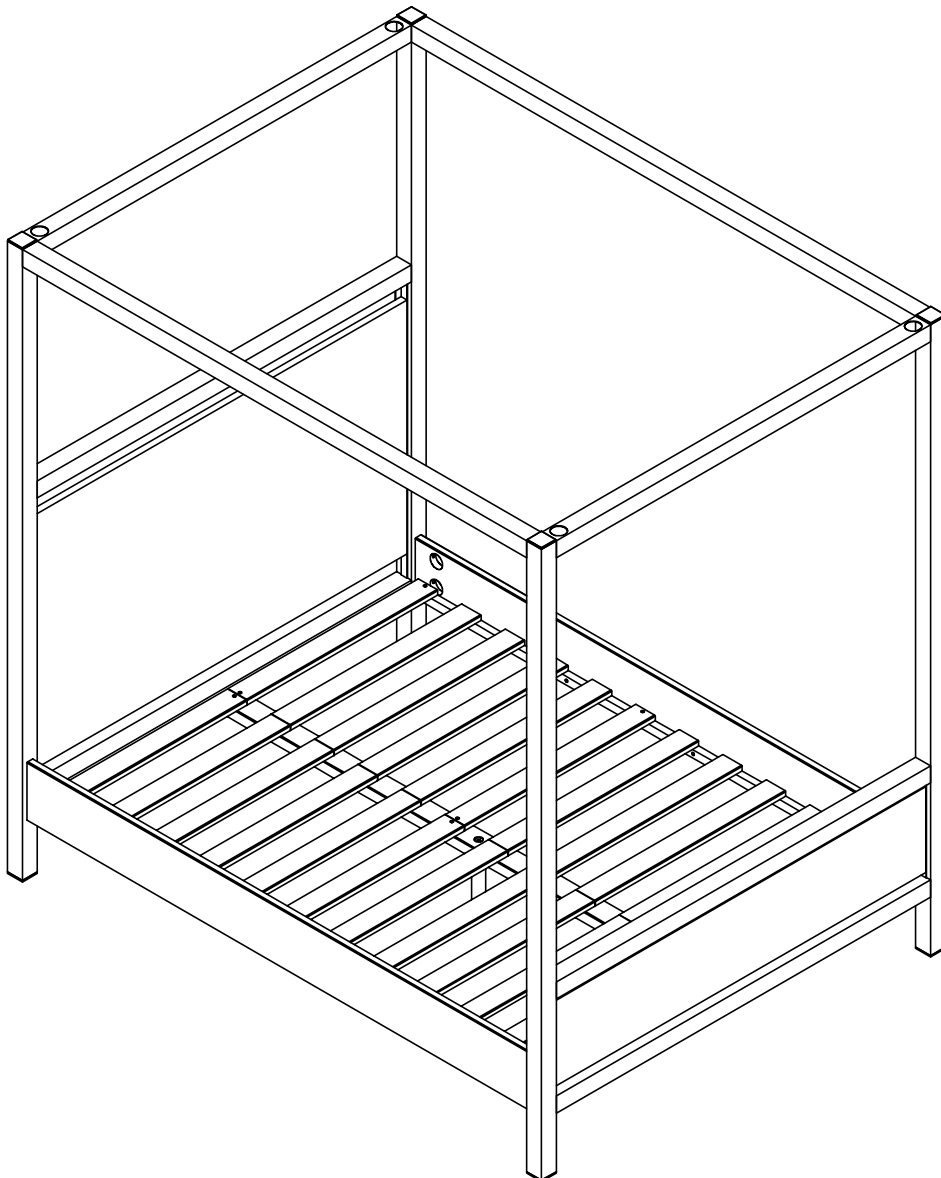


Storage Nightstand

19" w x 16" d x 28" h

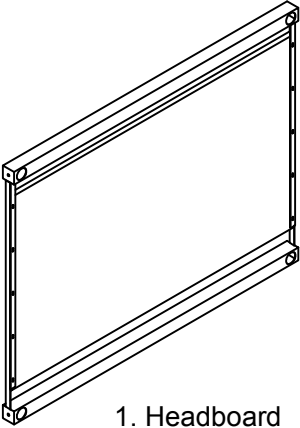
Natural Oak	45PALMWSNT
Stone on Ash	45PALMSSNT

ASSEMBLY INSTRUCTIONS FOR PALMER CANOPY BED

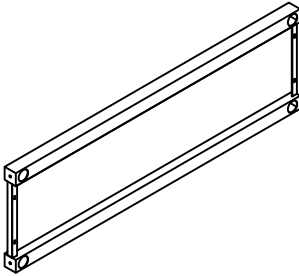


Carefully unpack and familiarize yourself with all parts and diagrams to facilitate the assembly of Palmer Canopy Bed

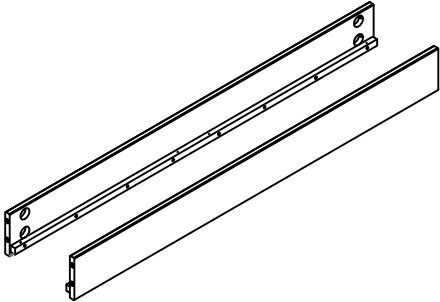
UNIT LIST



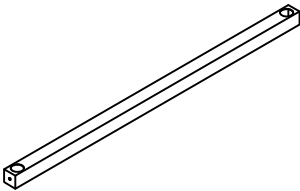
1. Headboard
(1 set)



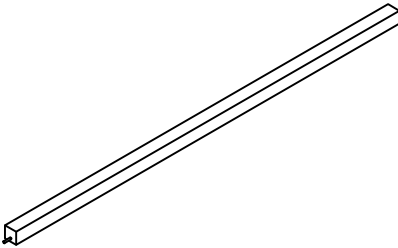
2. Footboard
(1 set)



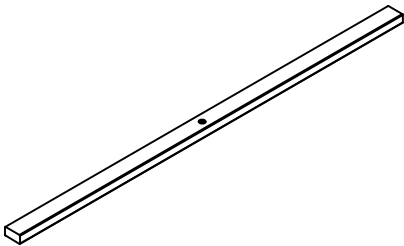
3. Side Rail
(2 pcs)



4. Post A
(2 pcs)



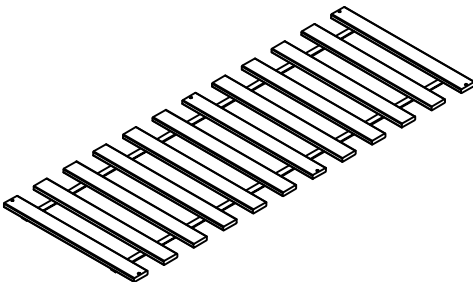
5. Post B
(2 pcs)



6. Center Slat
(1 pc)



7. Leg LH-RH
(4 pcs)



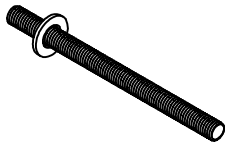
8. Slat
(2 set)



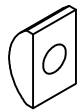
9. Center Leg
(1 pc)

Carefully unpack and familiarize yourself with all parts and diagrams to facilitate the assembly of Palmer Canopy Bed

HARDWARE



A. Connecting Bolt
(8 pcs)



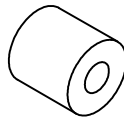
B. Half Moon
(8 pcs)



C. Hexagonal Nut
(24 pcs)



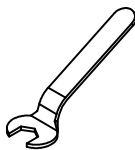
D. Flat Washer
(24 pcs)



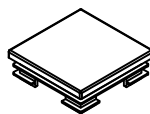
E. Metal Support
(16 pcs)



F. Screw
(12 pcs)



G. Wrench
(1 pc)



H. End cap
(4 pcs)



I. Drill & 1/4" Drill Bit
(Not Include)

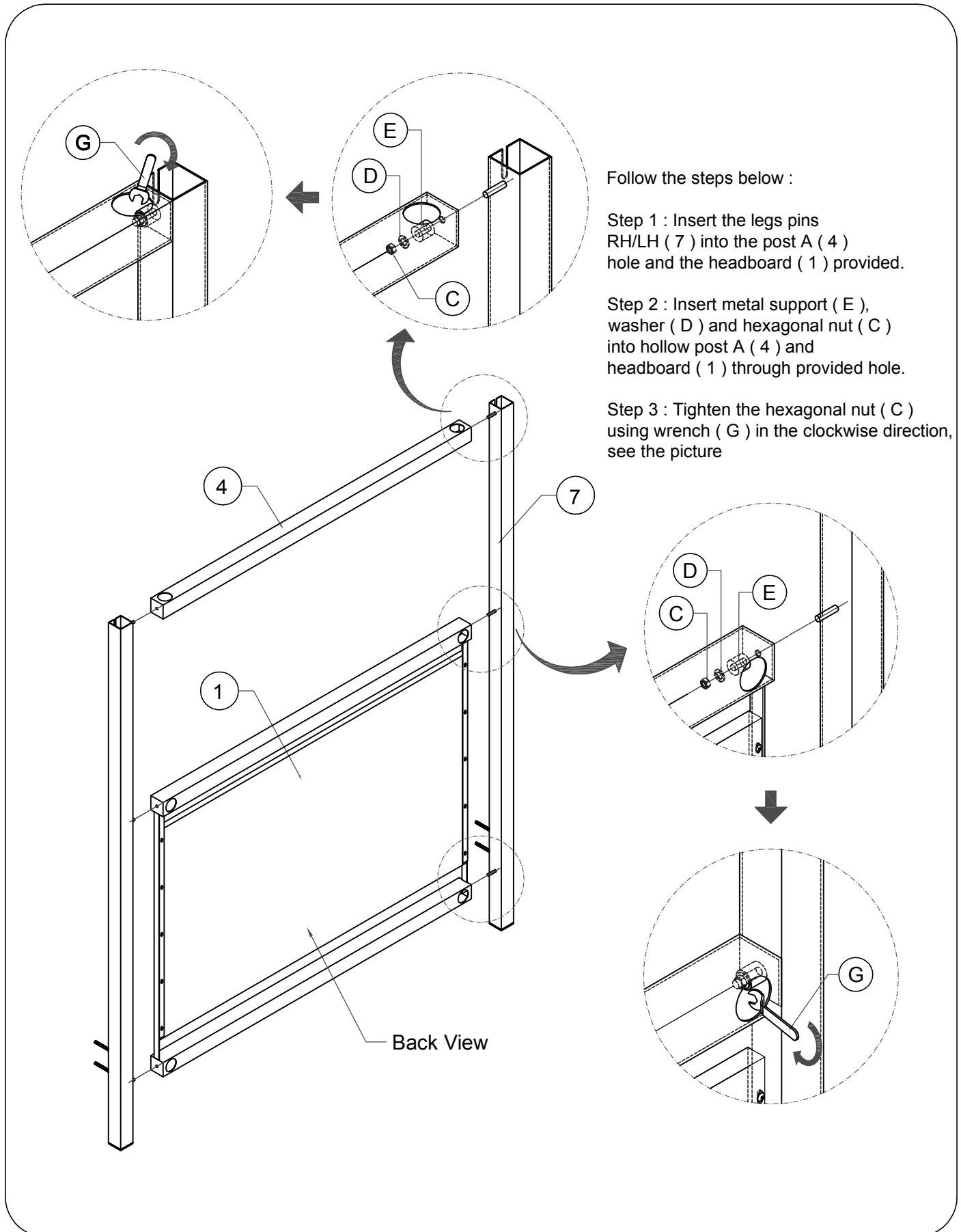
HOW TO ASSEMBLE PALMER CANOPY BED (STEP 1)

THIS STEP REQUIRES :

- 1. Headboard
- 4. Post A
- 7. Leg LH-RH

- C. Hexagonal Nut
- D. Flat Washer

- E. Metal Support
- G. Wrench



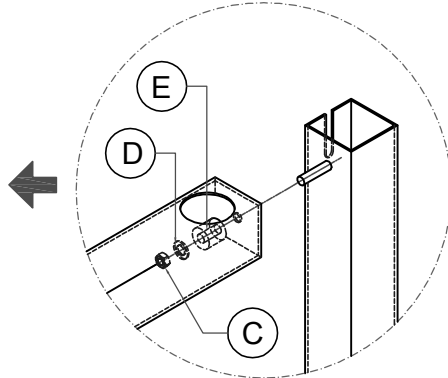
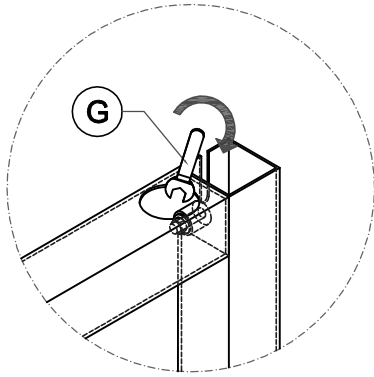
HOW TO ASSEMBLE PALMER CANOPY BED (STEP 2)

THIS STEP REQUIRES :

- 2. Footboard
- 4. Post A
- 7. Leg LH-RH

- C. Hexagonal Nut
- D. Flat Washer

- E. Metal Support
- G. Wrench

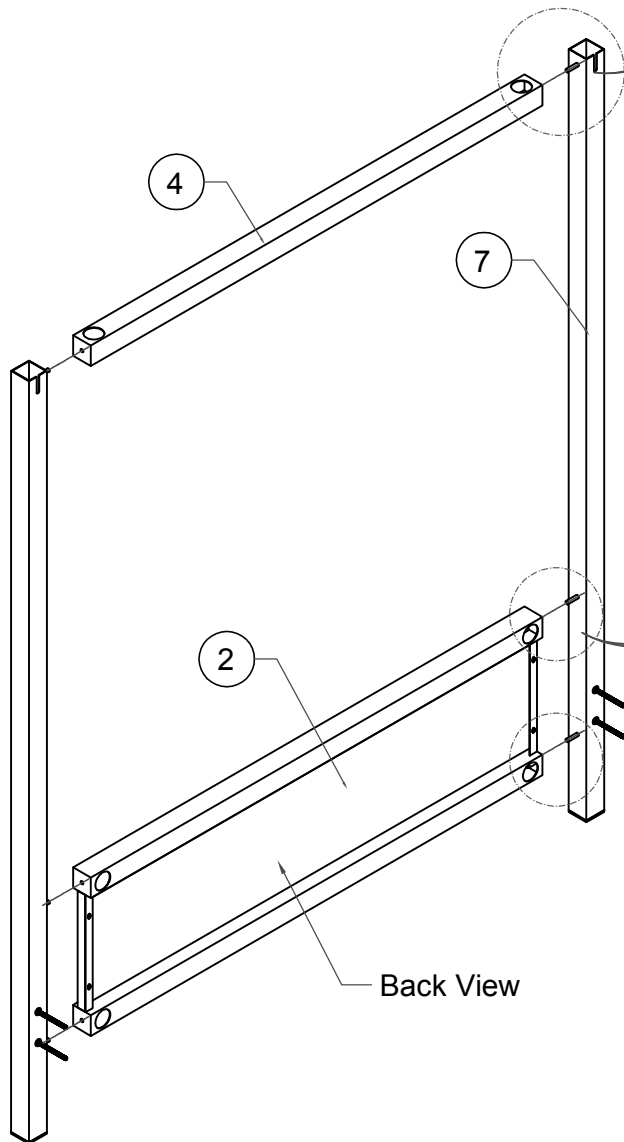


Follow the steps below :

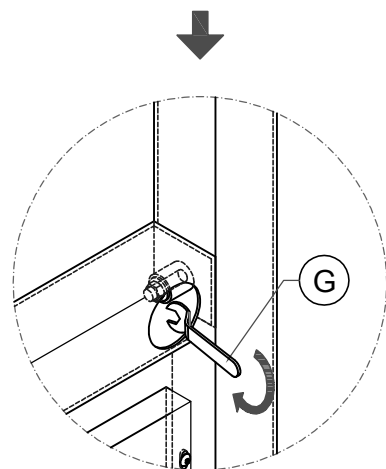
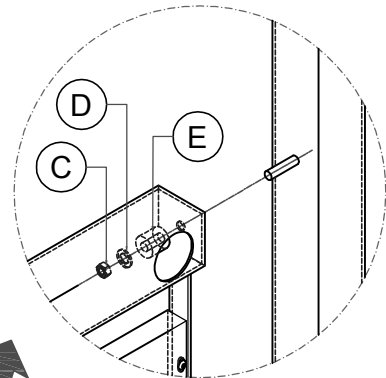
Step 4 : Insert the legs pins RH/LH (7) into the post A (4) hole and the headboard (2) provided.

Step 5 : Insert metal support (E), washer (D) and hexagonal nut (C) into hollow post A (4) and headboard (2) through provided hole.

Step 6 : Tighten the hexagonal nut (C) using wrench (G) in the clockwise direction, see the picture



Back View



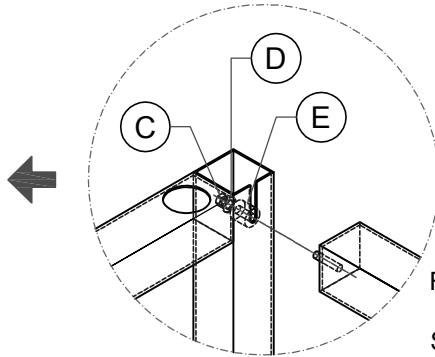
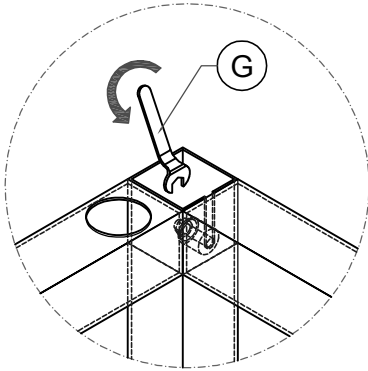
HOW TO ASSEMBLE PALMER CANOPY BED (STEP 3)

THIS STEP REQUIRES :

3. Side Rail
5. Post B

A. Connecting Bolt
B. Half moon
C. Hexagonal Nut

D. Flat Washer
E. Metal Support
G. Wrench

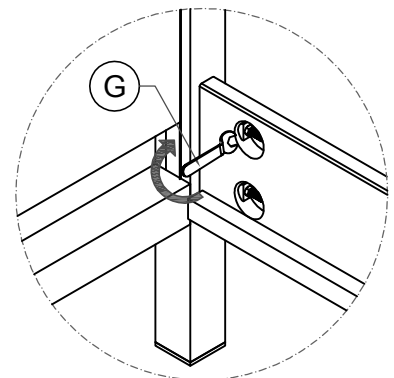
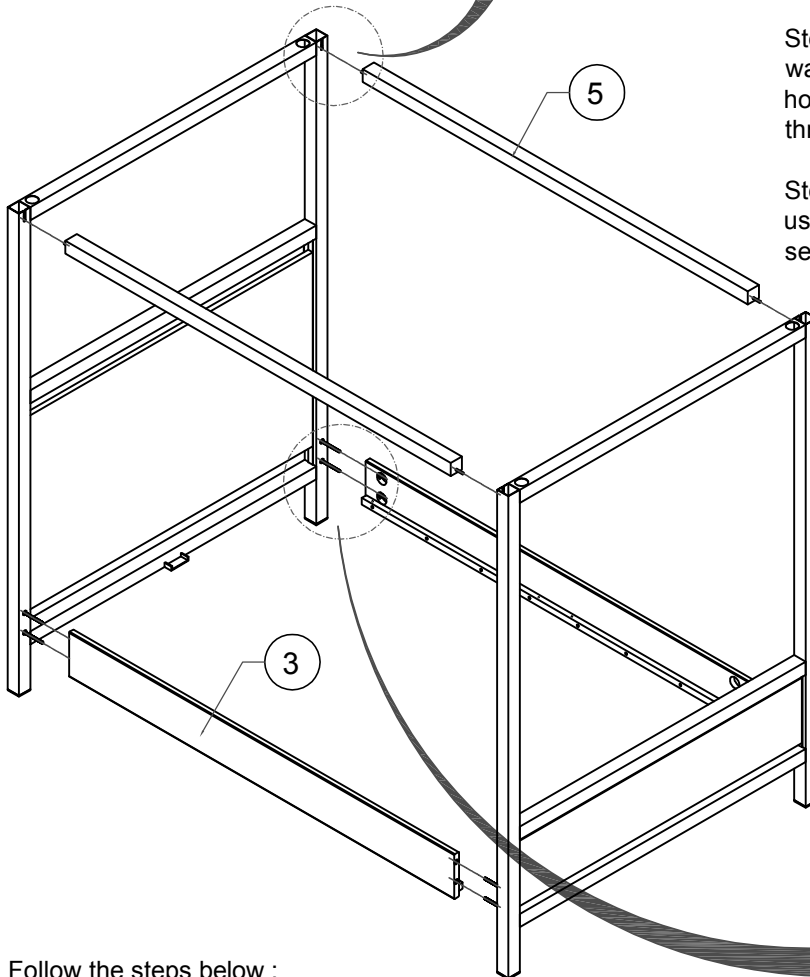


Follow the steps below :

Step 7 : Assemble the post B pins (5) into the headboard and the footboard through provided hole.

Step 8 : Insert metal support (E), washer (D) and hexagonal nut (C) into hollow of the headboard and the footboard through provided hole.

Step 9 : Tighten the hexagonal nut (C) using wrench (G) in the clockwise direction, see the picture

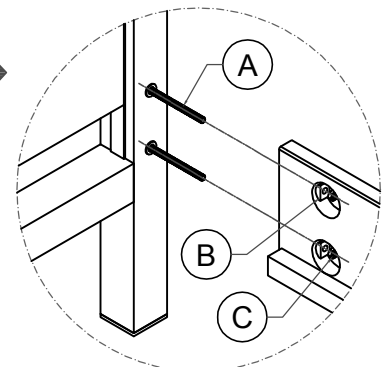


Follow the steps below :

Step 10 : Put side rail (3) connection hole into the connecting bolt (A) on the headboard and the footboard leg.

Step 11 : Insert half moon (B) and hexagonal nut (C) into side rail through provided hole.

Step 12 : Tighten the hexagonal nut (C) using wrench (G) in the clockwise direction, see the picture



HOW TO ASSEMBLE PALMER CANOPY BED (STEP 4)

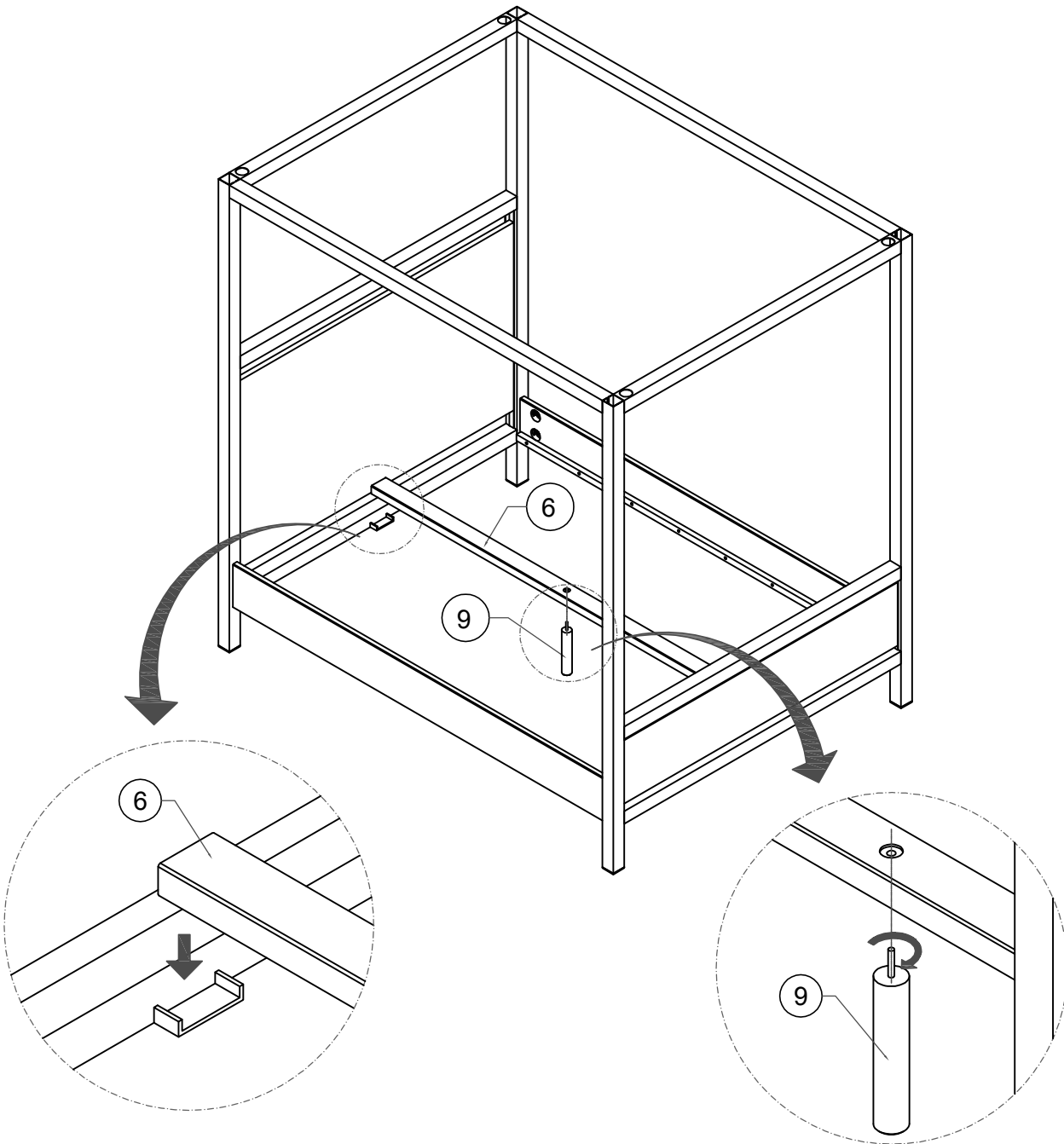
THIS STEP REQUIRES :

- 6. Center Slat
- 9. Center Leg

Follow the steps below :

Step 13 : Place the center slat (6)
on the headboard and the footboard assembly
support as instructed in the drawing

Step 14 : Attach the center leg (9) to the center slat (6)
according to the instructions on the drawing



HOW TO ASSEMBLE PALMER CANOPY BED (STEP 5)

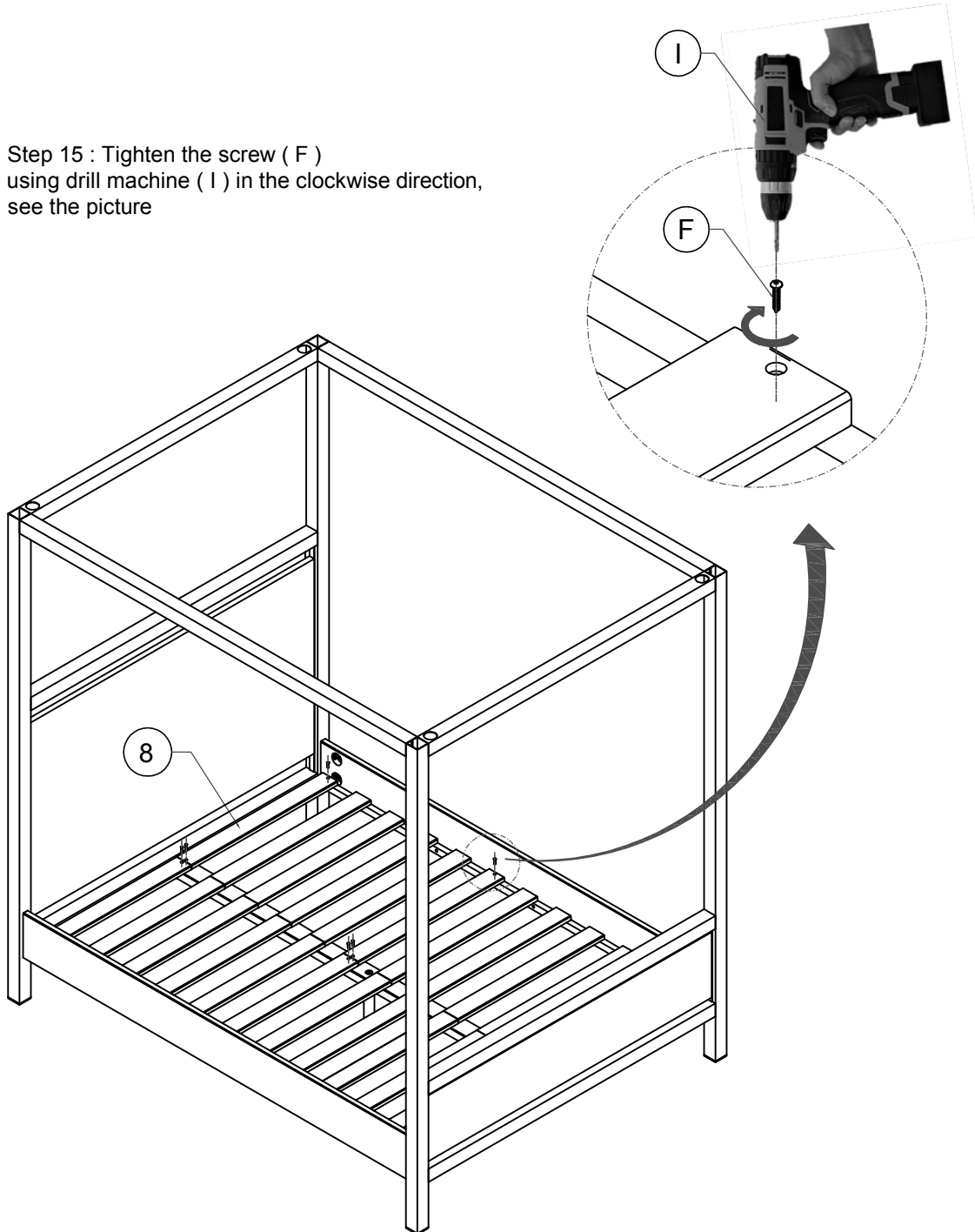
THIS STEP REQUIRES :

8. Slat

F. Screw

I. Drill & 1/4" Drill Bit (not include)

Step 15 : Tighten the screw (F)
using drill machine (I) in the clockwise direction,
see the picture

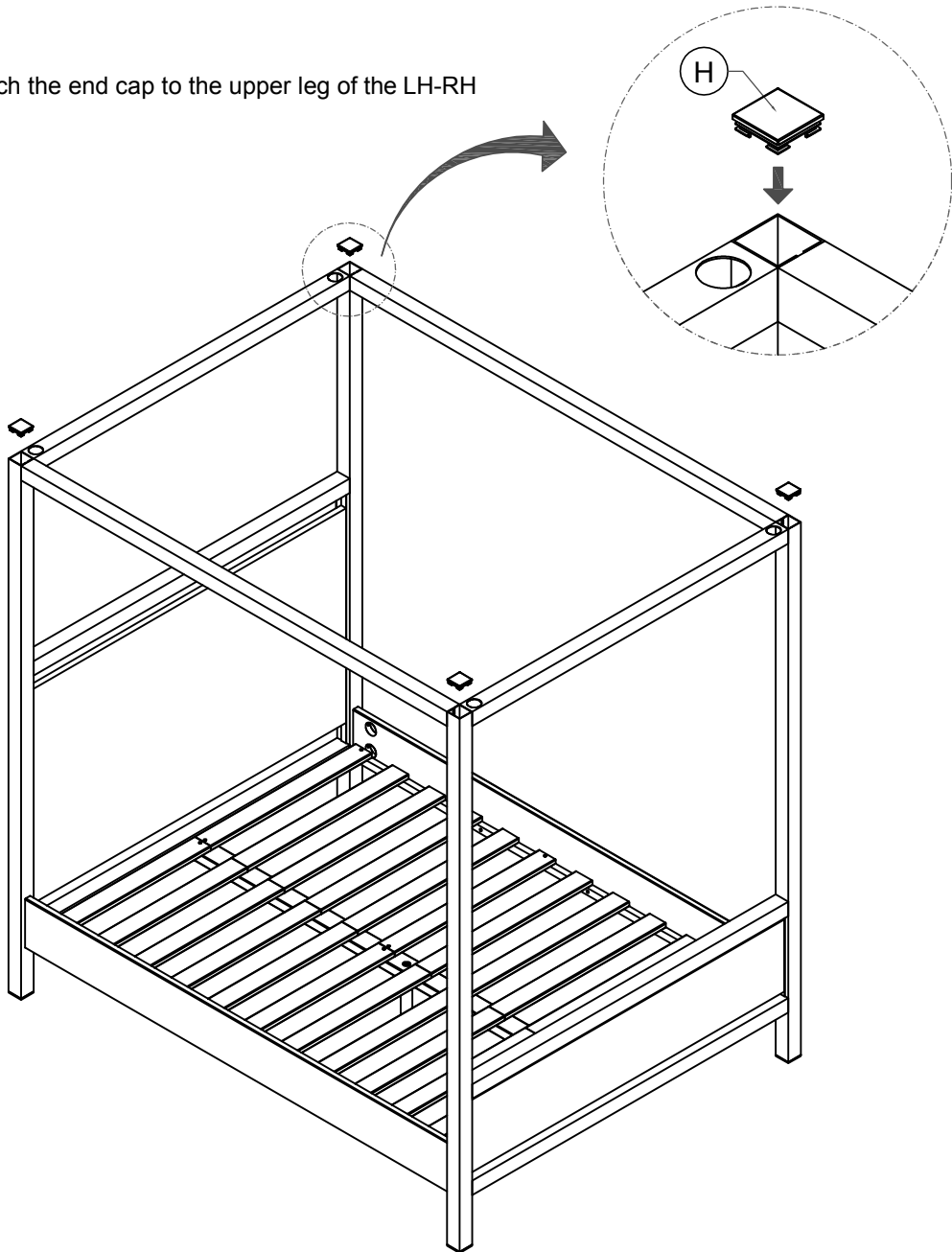


HOW TO ASSEMBLE PALMER CANOPY BED (STEP 5)

THIS STEP REQUIRES :

H. End cap

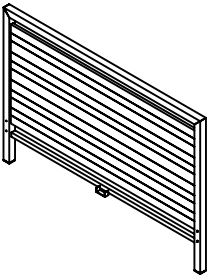
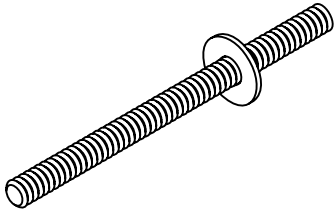
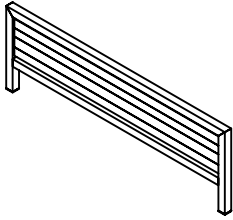
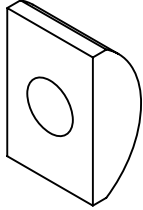
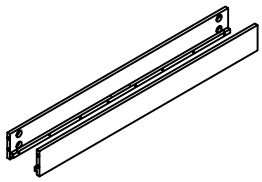
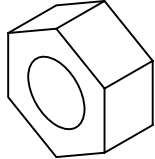
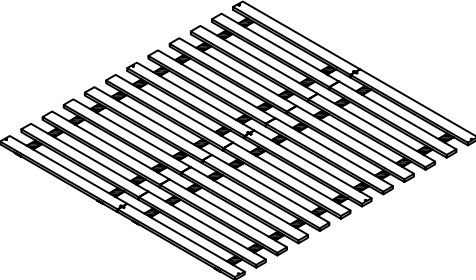
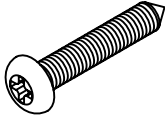
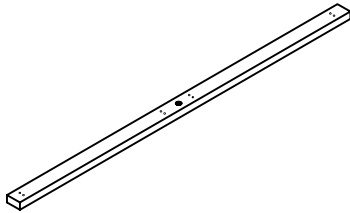
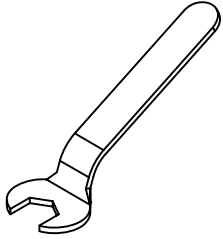

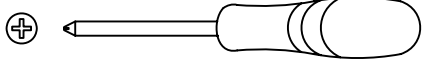
Step 16 : Attach the end cap to the upper leg of the LH-RH



ASSEMBLY INSTRUCTIONS

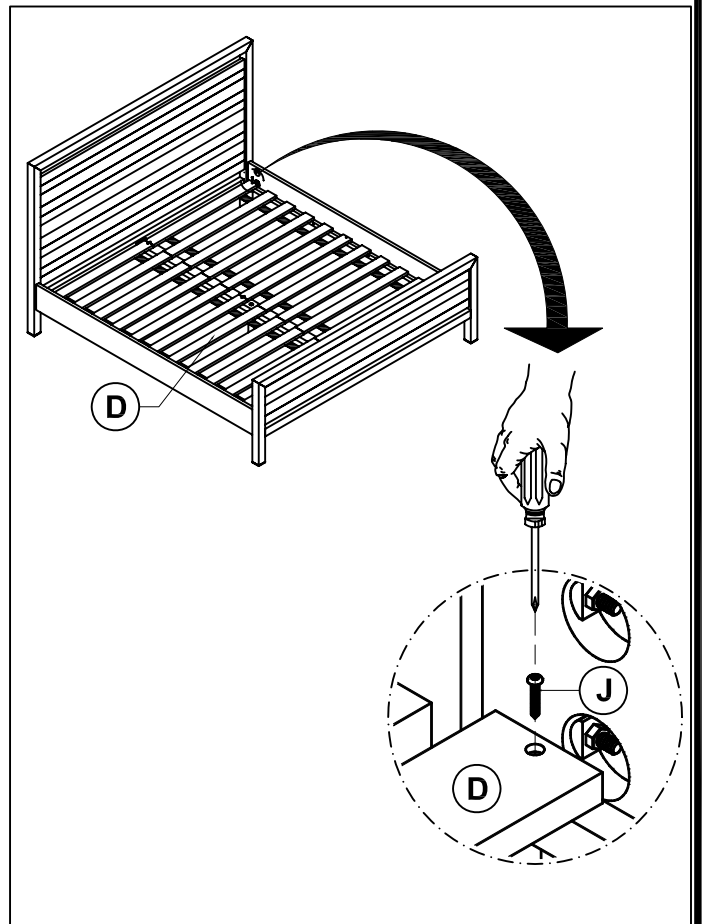
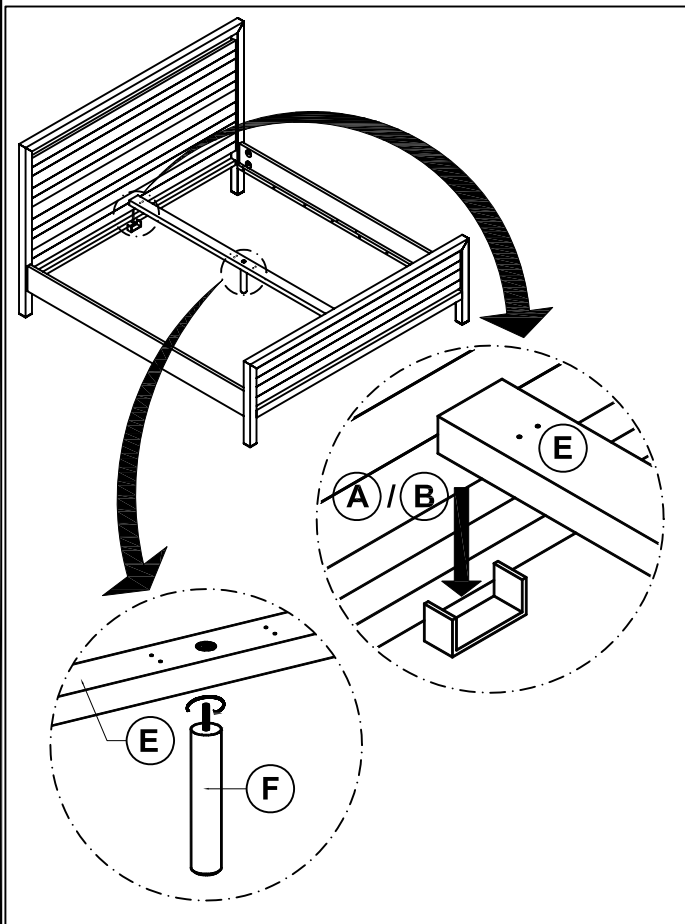
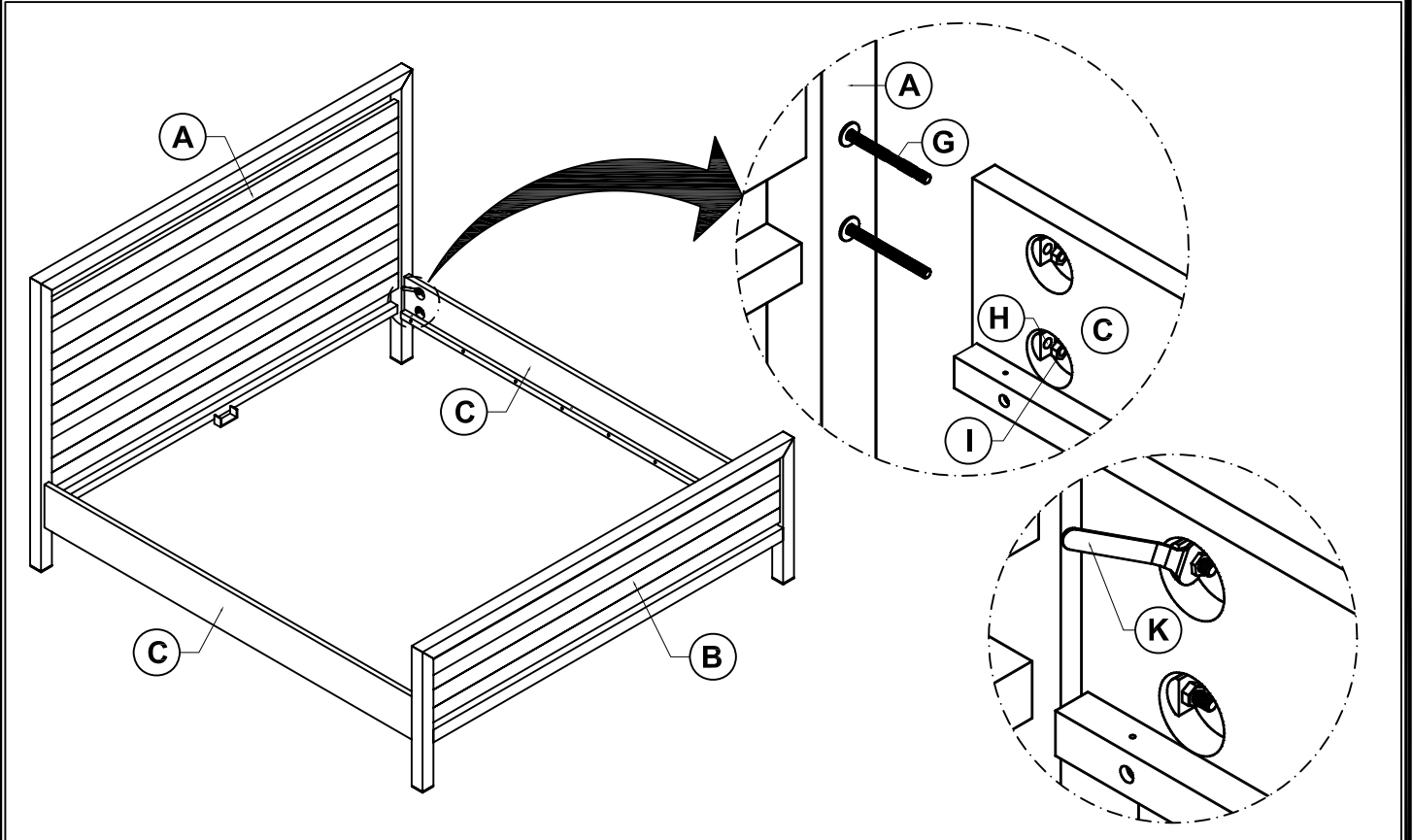
PALMER KING BED

Parts List

A		1 pc	G		8 pcs
B		1 pc	H		8 pcs
C		2 pcs	I		8 pcs
D		24 pcs	J		12 pcs
E		1 pc	K		3 pcs
F		1 pc	Tools (not included)		
					

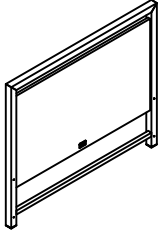
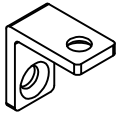
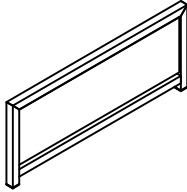
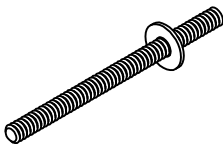
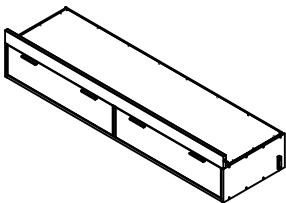
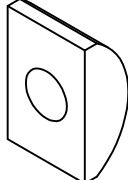

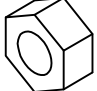
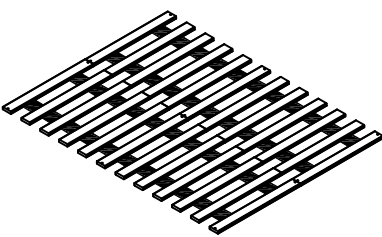
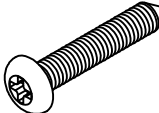
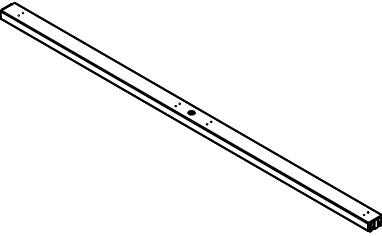
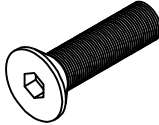

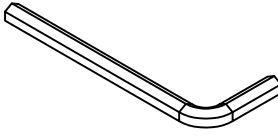
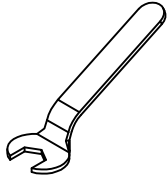
ASSEMBLY INSTRUCTIONS

PALMER KING BED



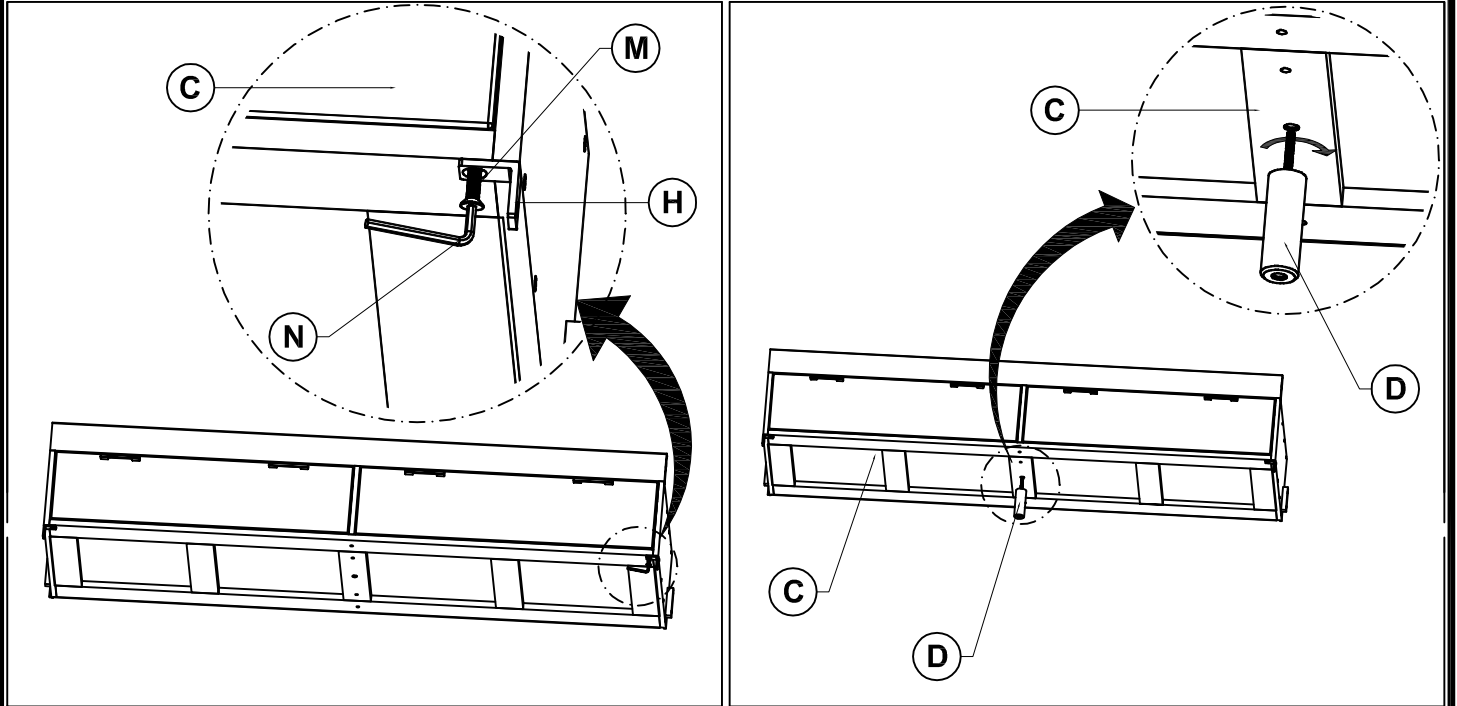
ASSEMBLY INSTRUCTIONS

PALMER STORAGE QUEEN BED

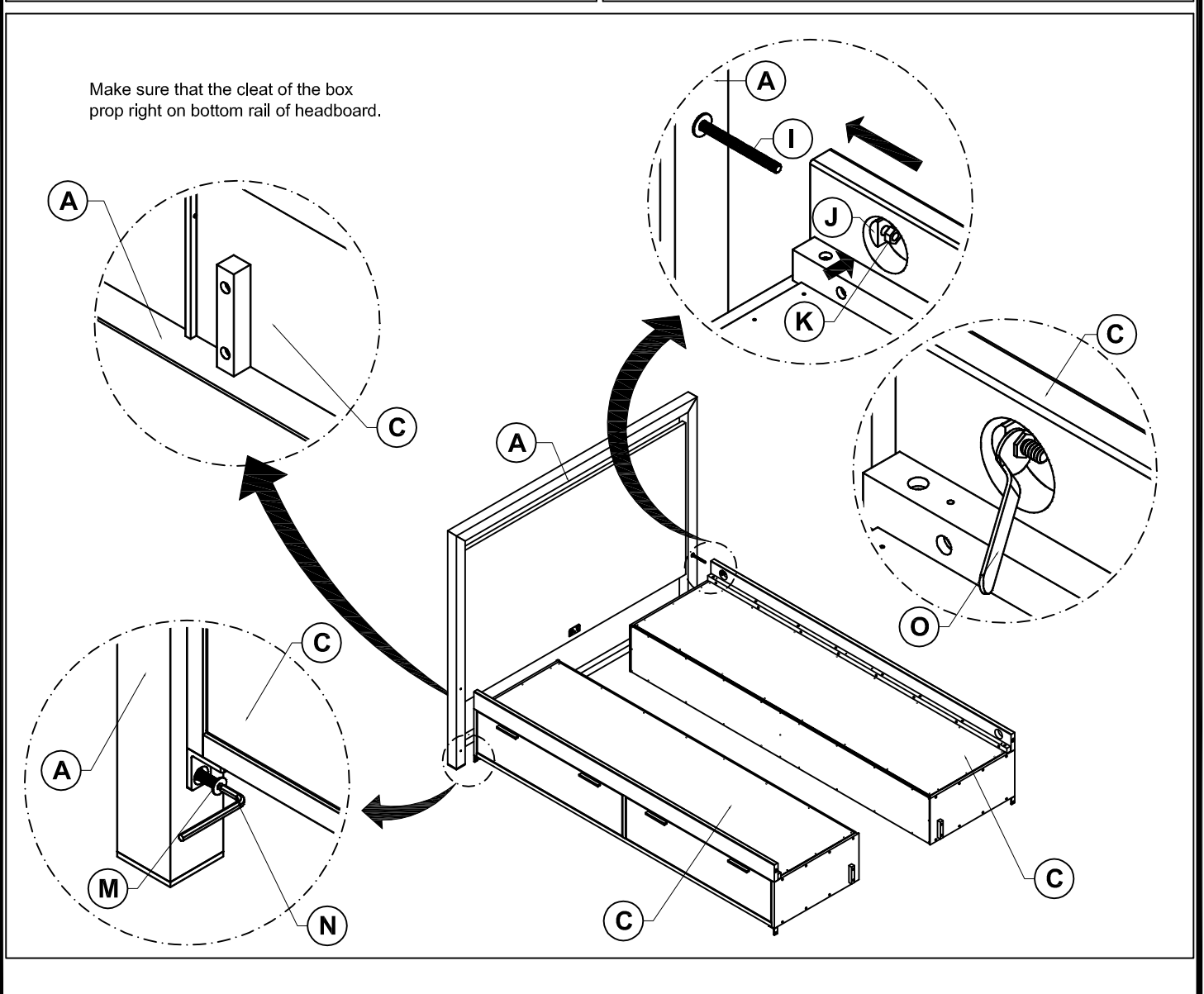
No	Parts List	Qty	No	Parts List	Qty
A		1 pc	H		4 pcs
B		1 pc	I		4 pcs
C		2 pcs	J		4 pcs
D		2 pcs	K		4 pcs
E		1 set	L		12 pcs
F		1 pc	M		8 pcs
G		1 pc	N		2 pcs
			O		3 pcs

ASSEMBLY INSTRUCTIONS

PALMER STORAGE QUEEN BED

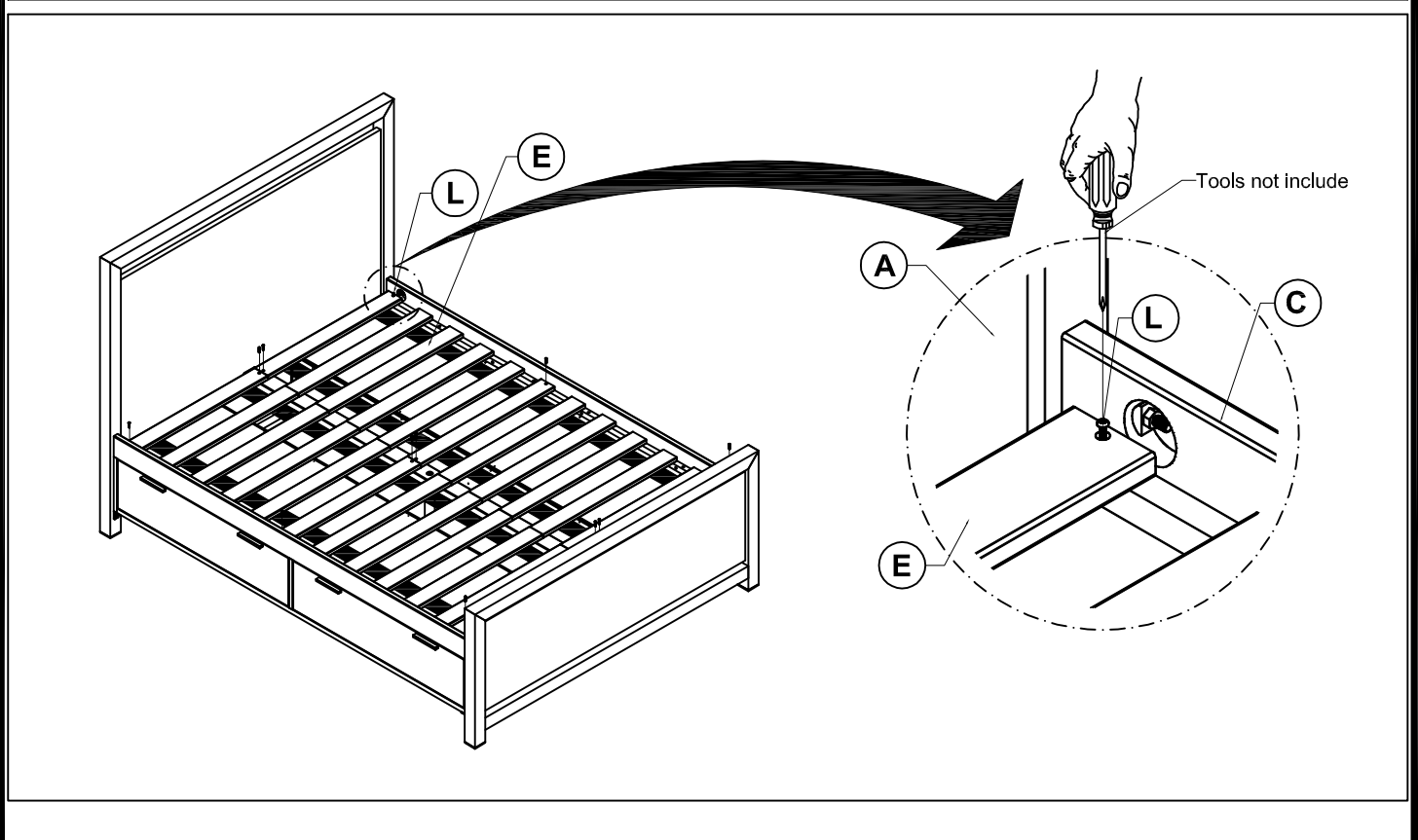
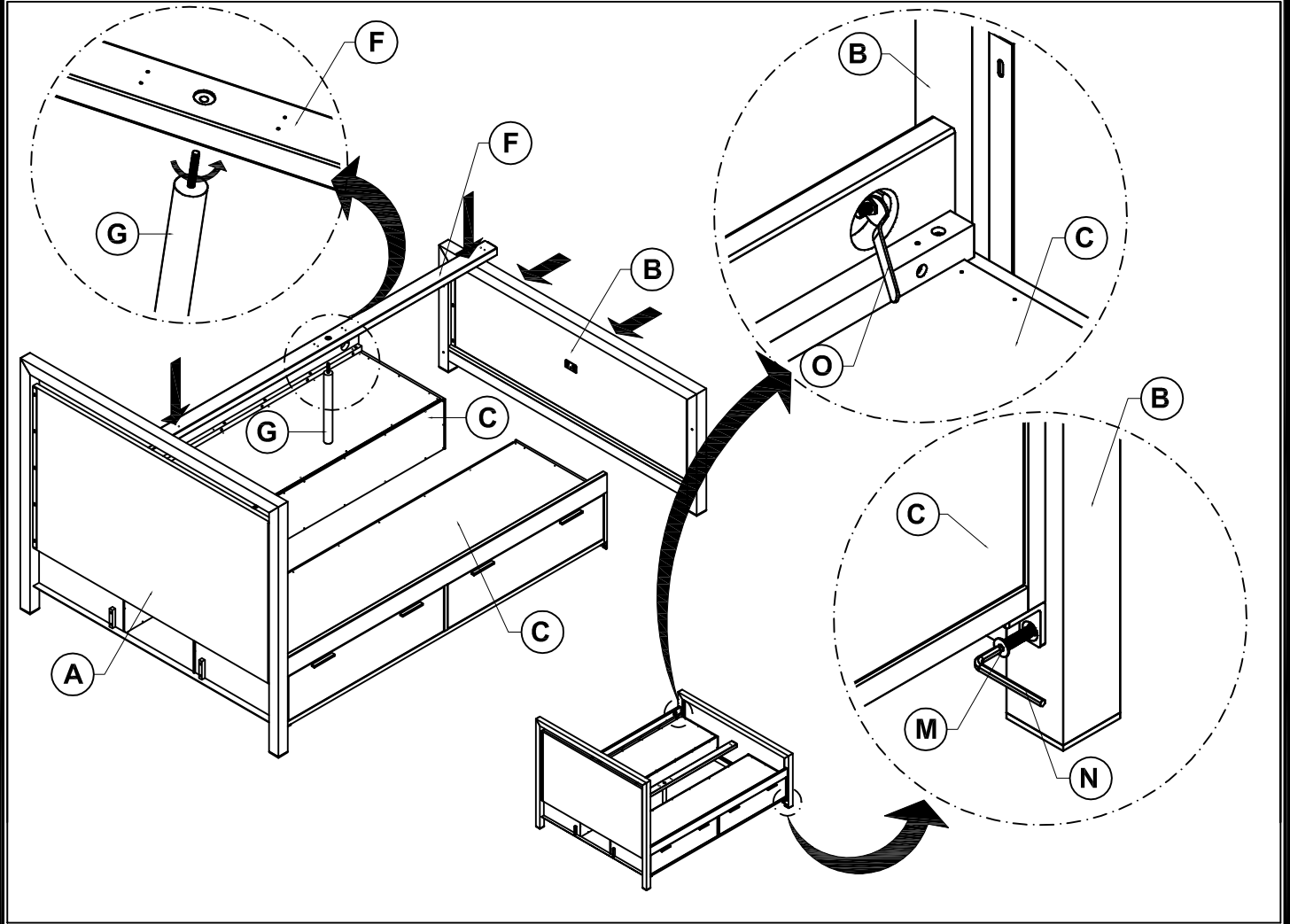


Make sure that the cleat of the box prop right on bottom rail of headboard.



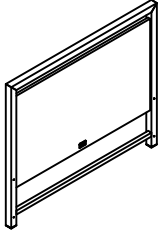
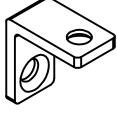
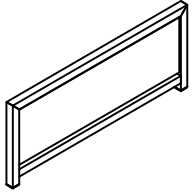
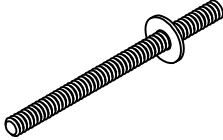
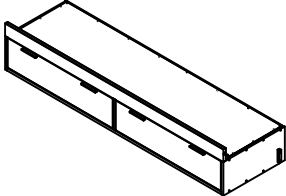
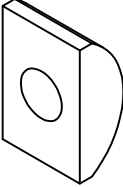

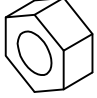
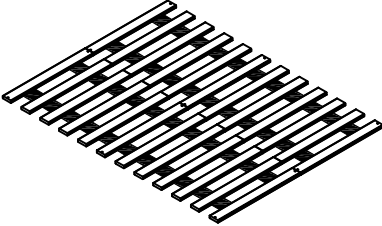
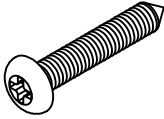
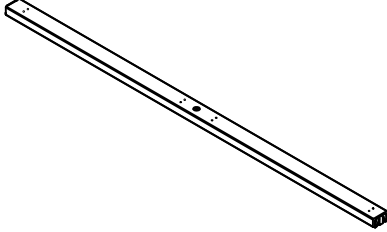
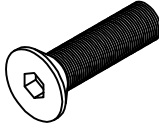

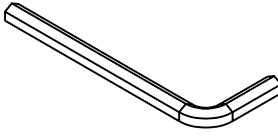
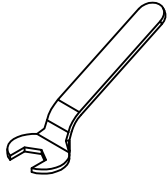
ASSEMBLY INSTRUCTIONS

PALMER STORAGE QUEEN BED



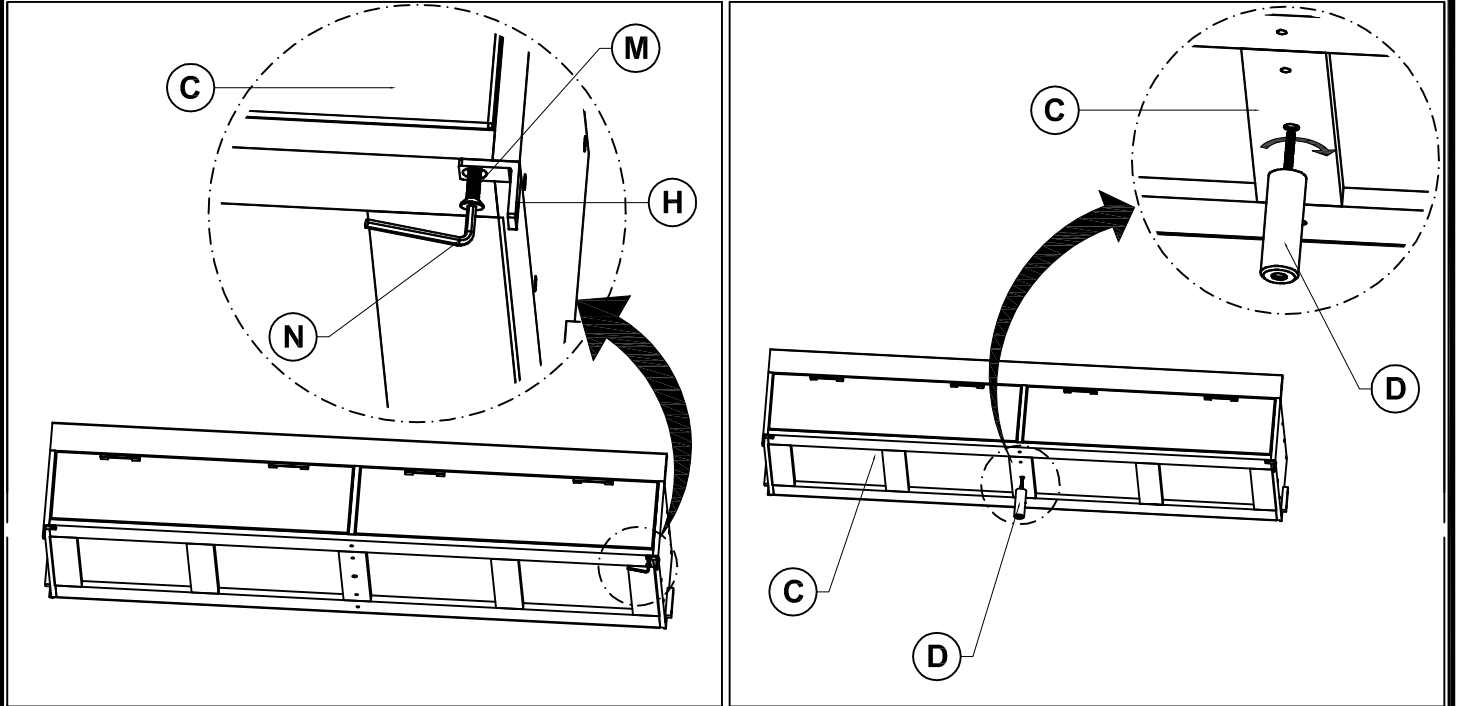
ASSEMBLY INSTRUCTIONS

PALMER STORAGE QUEEN BED

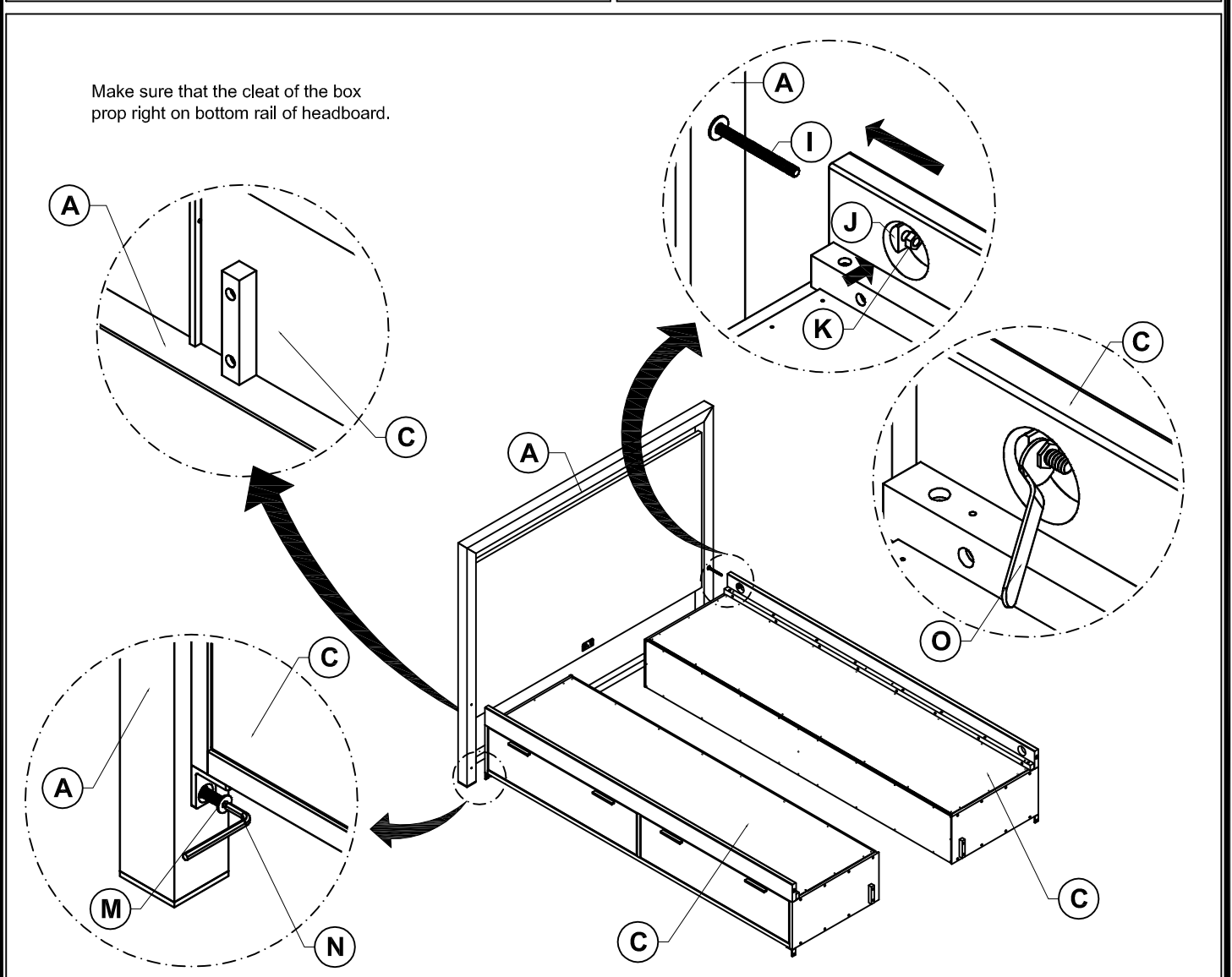
No	Parts List	Qty	No	Parts List	Qty
A		1 pc	H		4 pcs
B		1 pc	I		4 pcs
C		2 pcs	J		4 pcs
D		2 pcs	K		4 pcs
E		1 set	L		12 pcs
F		1 pc	M		8 pcs
G		1 pc	N		2 pcs
			O		3 pcs

ASSEMBLY INSTRUCTIONS

PALMER STORAGE QUEEN BED

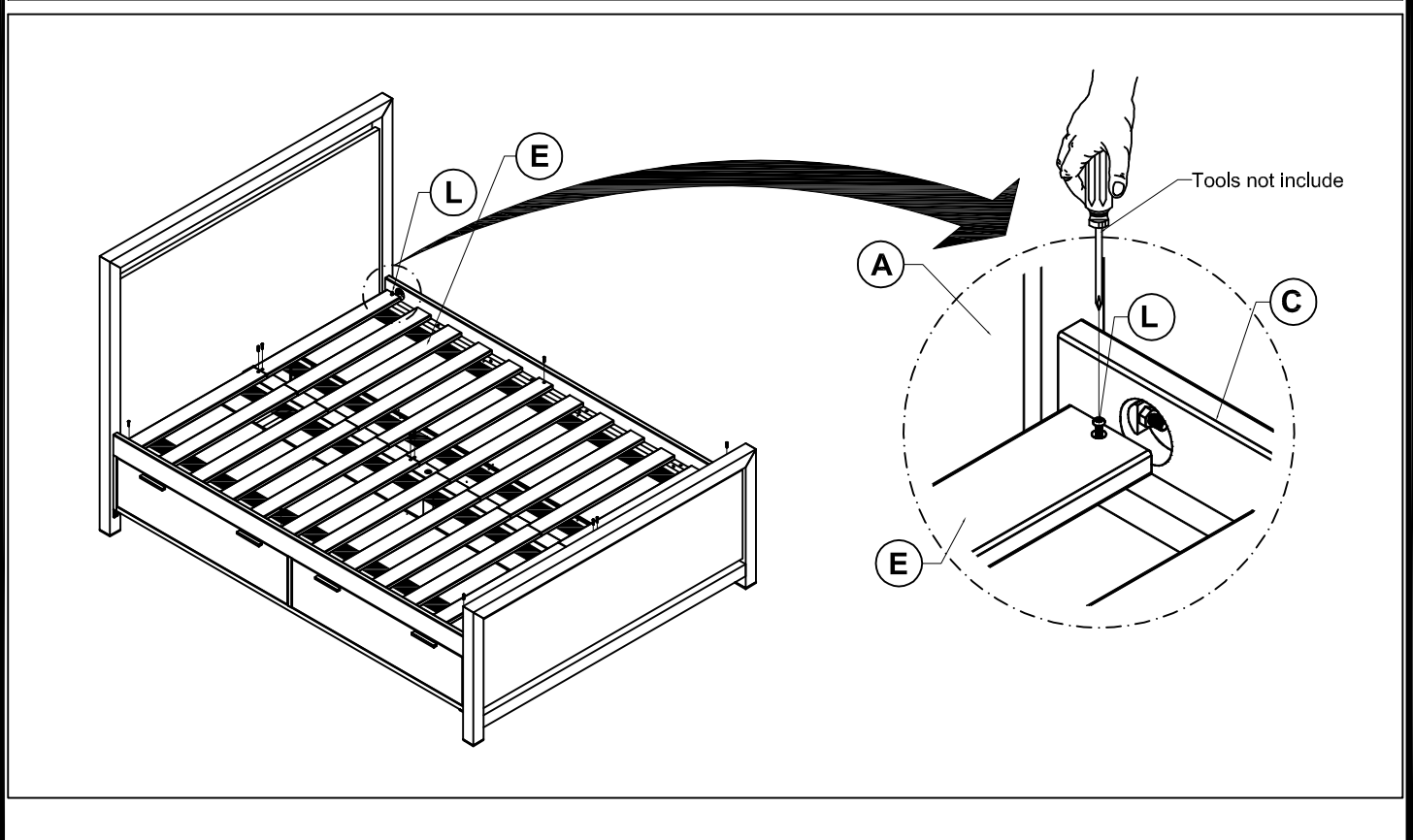
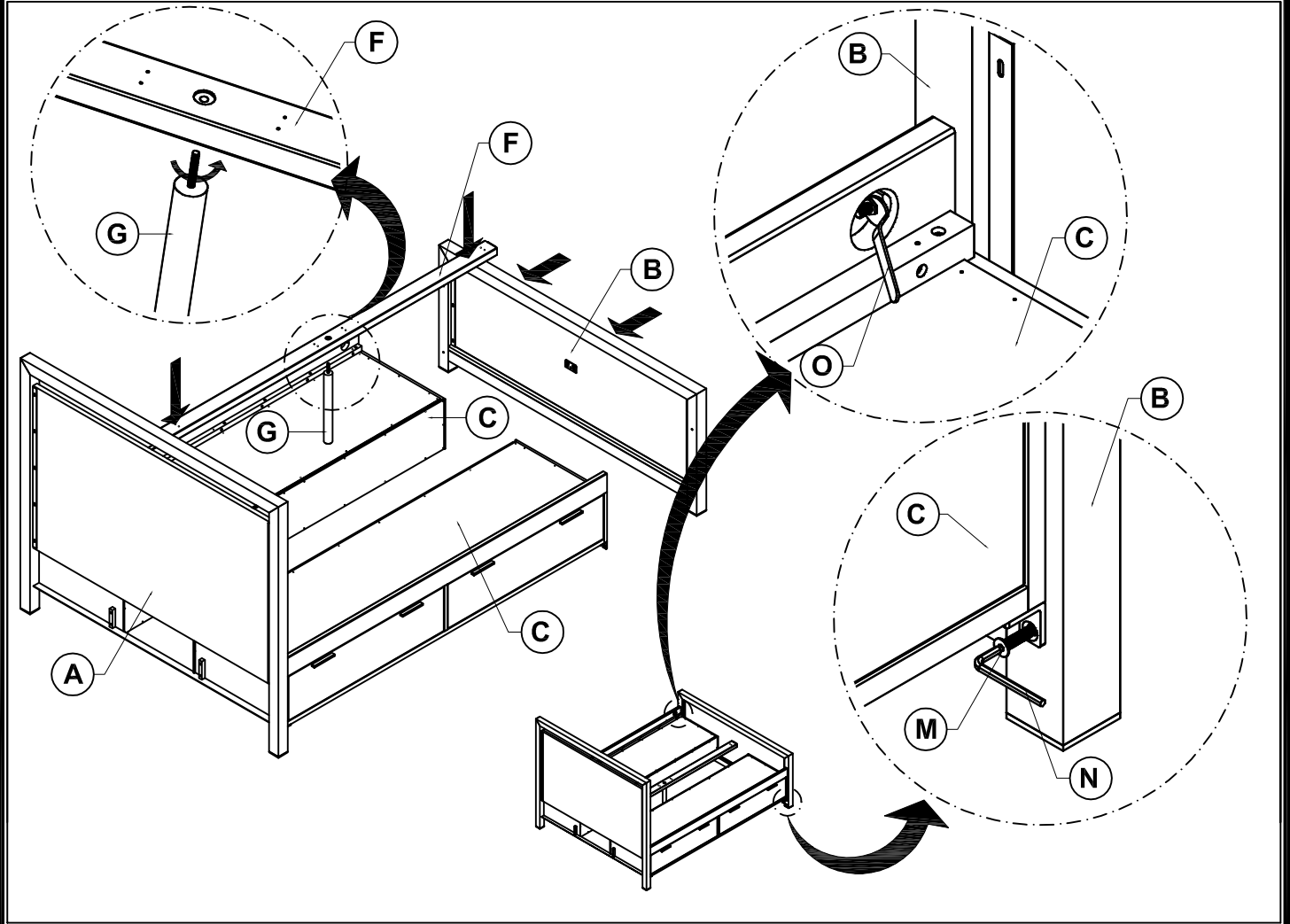


Make sure that the cleat of the box prop right on bottom rail of headboard.



ASSEMBLY INSTRUCTIONS

PALMER STORAGE QUEEN BED



BEDROOM PARTS SKUS

Super Category	Product ID	Description	Stat	Collection
BEDROOM	91511PALMBD	PALMER BED ASSEMBLY HDW HARDWARE	A	PT-PALMER
BEDROOM	91PALMCTRLEG	PALMER BED CENTER LEG ASSEMBLY HARDWARE	A	PT-PALMER
BEDROOM	45PALMCTRLEG	PALMER BED CNTR LEG CENTER LEGS	D	PT-PALMER
BEDROOM	91PALMRGLDLG	PALMER BED GLIDE LARGE FOR PALMER BED ONLY	A	PT-PALMER
BEDROOM	91PALMERBOLTS	PALMER BED IRON CONNECTOR CONNECTOR	A	PT-PALMER
BEDROOM	91511PALLGFT	PALMER BED PLASTIC FOOT	D	PT-PALMER
BEDROOM	91PALMKGSLT	PALMER BED SLATS KING SLATS	A	PT-PALMER
BEDROOM	91PALMQNSLT	PALMER BED SLATS QUEEN SLATS	A	PT-PALMER
BEDROOM	91PALMCNPYHW	PALMER CANOPY ASSEMBLY HW ASSEMBLY HARDWARE	A	PT-PALMER
BEDROOM	91PALMRGLIDE	PALMER DRAWER GLIDE PALMER DRAWER GLIDE	A	PT-PALMER
BEDROOM	91511PALMPUL	PALMER DRAWER PULL FOR BROWN AND MANGC	A	PT-PALMER
BEDROOM	91PALMNTGLIDE	PALMER NIGHTSTAND GLIDE PALMER BEDROOM	A	PT-PALMER
BEDROOM	91511PALSMT	PALMER PLASTIC FOOT FOR ALL PALMER PIECES	A	PT-PALMER
BEDROOM	91PALMERLEG	PALMER STORAGE BED LEG LEG	A	PT-PALMER
BEDROOM	91PALMSTGSTASHW	PALMER STRG BD ASMBLY HW STONE 1 SET = STONE ASSEMBLY HW	A	PT-PALMER
BEDROOM	91PALMSASHW	PALMER STRG BED ASSEMBLY HW OAK 1 SET = OAK FINISH ONLY	A	PT-PALMER
BEDROOM	91PALMKSBCS	PALMER STRG BED CTR SUPPRT KG CENTER SUPPORT	A	PT-PALMER
BEDROOM	91PALMTBLFT	PALMER TABLE PLASTIC FEET PLASTIC LEG CAP	A	PT-PALMER
BEDROOM	91PALMUPHFT	PALMER UPH DEC FOOT TOLIVER CREAM	A	PT-PALMER
BEDROOM	45PALMUPHFT	PALMER UPH DEC FOOT TOLIVER CREAM	A	PT-PALMER
BEDROOM	45PALMUPHLG	PALMER UPH SUPPORT LEG TOLIVER CREAM	A	PT-PALMER
BEDROOM	91PALMUPHLG	PALMER UPH SUPPORT LEG TOLIVER CREAM	A	PT-PALMER
BEDROOM	45PALMUPHHW	PALMER UPH TC HW TOLIVER CREAM	A	PT-PALMER

ARHAUS®

your home

PEARSON

BEDROOM COLLECTION | MADE IN INDONESIA

shown in
Basa Natural



TRULY VERSATILE AESTHETICS

Our Pearson collection enhances your décor with classic design and easily transitions from traditional to modern styles depending on your aesthetic. Handcrafted by Indonesian artisans, Pearson is expertly constructed from sustainably grown mindi wood and mindi veneers for a smooth uniform surface. Simple, sophisticated details like plush upholstered headboards, rich finishes, and curved, hand-carved moulding are masterfully applied by hand to add sophisticated style to each piece and complement the mindi wood's natural beauty.



NEED HELP?

Visit a store, call **866.427.4287**, or **live chat** with our Design Team to learn more.

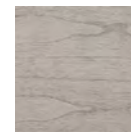
shown in
Basa Natural/Cedar Natural



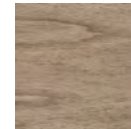
PRODUCT DETAILS

- + This artisan-crafted collection is built in Indonesia from solid, locally grown, sustainably harvested mindi wood and mindi veneers.
- + Frames are supported by mortise-and-tenon joinery and corner-block reinforcements for exceptional stability.
- + Each piece is hand-sanded, hand-finished in rich tones, and brushed with lacquer for added protection and subtle sheen.
- + Beds are beautifully accentuated with hand-carved moulding.
- + Gallery cane beds are expertly decorated with woven cane, creating a natural, boho, or coastal aesthetic.
- + We recommend using our Retreat 8" Platform with Pearson Beds. Pearson Storage Beds do not require box springs.
- + Storage bed bases include spacious drawers for added storage—featuring sturdy dovetail joinery and side-mounted glides.
- + Bed frames accommodate for variances in mattress sizes and allow bedding to be tucked in.
- + Case pieces feature spacious drawers constructed with dovetail joinery and under-mounted, soft-close glides.
- + Drawer fronts are decorated with hand-carved, curved moulding, while drawer interiors are lined with beech wood veneers.
- + Nightstands feature pull-out trays for additional storage and open display space.
- + Mirrors feature beveled glass encased in a thick, solid, hand-finished frame that can be hung vertically or horizontally. Professional installation recommended. Weighs 35 lbs.
- + Pearson Upholstered Beds in our London Fog finish feature our Top Secret Pearl fabric.
- + Pearson Upholstered Beds in our Basa Natural finish feature our Cedar Natural fabric.
- + Pearson Upholstered Beds in our Bastian Brown finish feature our in Dante Stone fabric.
- + Pearson Upholstered Beds in our Stratus finish are upholstered in Top Secret Pearl fabric.
- + Pearson Upholstered Beds in our Ebony finish are upholstered in Top Secret Pearl fabric.

FINISHES:



London Fog



Basa Natural



Bastian Brown



Stratus

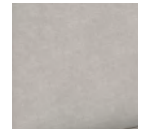


Ebony

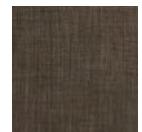
FABRICS:



Cedar Natural



Top Secret Pearl



Dante Stone



Cane

Dante Stone: 100% Polyester – W cleaning code
Top Secret Pearl: 66% Olefin/ 34% Polyester – WS cleaning code
Cedar Natural: 52% Viscose / 25% Polyester/ 15% Linen / 8% Cotton – S cleaning code

ARHAUS®

your home

shown in
Basa Natural/Cane



shown in
Basa Natural/Cedar Natural



PEARSON

BEDROOM COLLECTION | MADE IN INDONESIA

KING GALLERY CANE BED

80.75" w x 85.5" d x 56.5" h

London Fog/Cane	45PEARCFOGKG
Basa Natural/Cane	45PEARCNATKG
Bastian Brown/Cane	45PEARCBRKG
Stratus/Cane	45PEARCSTRKG
Ebony/Top Secret Pearl	45PEARCEBKG

QUEEN GALLERY CANE BED

64.5" w x 85.5" d x 56.5" h

London Fog/Cane	45PEARCFOGQN
Basa Natural/Cane	45PEARCNATQN
Bastian Brown/Cane	45PEARCBRQN
Stratus/Cane	45PEARCSTRQN
Ebony/Top Secret Pearl	45PEARCEBQN

KING LOW-FOOTBOARD GALLERY BED

80.75" w x 85.5" d x 56.5" h; footboard is 17.75" h

Bastian Brown/Dante Stone	45PEARBULKGL
Basa Natural/Cedar Natural	45PEARNUKGL
London Fog/Top Secret Pearl	45PEARFULKGL
Stratus/Top Secret Pearl	45PEARSULKGL
Ebony/Top Secret Pearl	45PEAREBULKGL

QUEEN LOW-FOOTBOARD GALLERY BED

64.5" w x 85.5" d x 56.5" h; footboard is 17.75" h

Bastian Brown/Dante Stone	45PEARBULQGL
Basa Natural/Cedar Natural	45PEARNULQGL
London Fog/Top Secret Pearl	45PEARFULQGL
Stratus/Top Secret Pearl	45PEARSULQGL
Ebony/Top Secret Pearl	45PEAREBULQGL

KING SLEIGH BED

80" w x 96.5" d x 54.75" h; footboard is 34.5" h

London Fog/Top Secret Pearl	45PEARFUJKT
Basa Natural/Cedar Natural	45PEARNUJKT
Bastian Brown/Dante Stone	45PEARBUJKT
Stratus/Top Secret Pearl	45PEARSUJKT
Ebony/Top Secret Pearl	45PEAREBUJKT

QUEEN SLEIGH BED

64.5" w x 96.5" d x 54.75" h; footboard is 34.5" h

London Fog/Top Secret Pearl	45PEARFUQKT
Basa Natural/Cedar Natural	45PEARNUQKT
Bastian Brown/Dante Stone	45PEARBUQKT
Stratus/Top Secret Pearl	45PEARSUQKT
Ebony/Top Secret Pearl	45PEAREBUQKT

KING LOW-FOOTBOARD SLEIGH BED

80" w x 93.5" d x 54.75" h; footboard is 17.75" h

London Fog/Top Secret Pearl	45PEARFULKKT
Basa Natural/Cedar Natural	45PEARNUKKT
Bastian Brown/Dante Stone	45PEARBULKKT
Stratus/Top Secret Pearl	45PEARSULKKT
Ebony/Top Secret Pearl	45PEAREBULKKT

QUEEN LOW-FOOTBOARD SLEIGH BED

64.5" w x 93.25" d x 54.75" h; footboard is 17.75" h

London Fog/Top Secret Pearl	45PEARFULQKT
Basa Natural/Cedar Natural	45PEARNULQKT
Bastian Brown/Dante Stone	45PEARBULQKT
Stratus/Top Secret Pearl	45PEARSULQKT
Ebony/Top Secret Pearl	45PEAREBULQKT

ARHAUS®

your home

PEARSON

BEDROOM COLLECTION | MADE IN INDONESIA

shown in
Bastian Brown/Dante Stone



KING STORAGE GALLERY BED

80.75" w x 85.5" d x 56.5" h

Bastian Brown/Dante Stone	45PEARBSTKGL
Basa Natural/Cedar Natural	45PEARNSTKGL
London Fog/Top Secret Pearl	45PEARFSTKGL
Stratus/Top Secret Pearl	45PEARSSTKGL
Ebony/Top Secret Pearl	45PEAREBSTKGL

QUEEN STORAGE GALLERY BED

64.5" w x 85.5" d x 56.5" h

Bastian Brown/Dante Stone	45PEARBSTQGL
Basa Natural/Cedar Natural	45PEARNSTQGL
London Fog/Top Secret Pearl	45PEARFSTQGL
Stratus/Top Secret Pearl	45PEARSSTQGL
Ebony/Top Secret Pearl	45PEAREBSTQGL

KING STORAGE SLEIGH BED

80" w x 96.5" d x 54.75" h; footboard is 34.5" h

London Fog/Top Secret Pearl	45PEARFSUKKT
Basa Natural/Cedar Natural	45PEARNSUKKT
Bastian Brown/Dante Stone	45PEARBSUKKT
Stratus/Top Secret Pearl	45PEARSUKKT
Ebony/Top Secret Pearl	45PEAREBSUKKT

QUEEN STORAGE SLEIGH BED

64.5" w x 96.5" d x 54.75" h; footboard is 34.5" h

London Fog/Top Secret Pearl	45PEARFSUQKT
Basa Natural/Cedar Natural	45PEARNSUQKT
Bastian Brown/Dante Stone	45PEARBSUQKT
Stratus/Top Secret Pearl	45PEARSUQKT
Ebony/Top Secret Pearl	45PEAREBSUQKT

shown in
Basa Natural



NIGHTSTAND

27" w x 19.5" d x 29" h

London Fog	45PEARFNT
Basa Natural	45PEARNT
Bastian Brown	45PEARBNT
Stratus	45PEARSNT
Ebony	45PEAREBNT



26" L/R STORAGE NIGHTSTAND

25.75" w x 19.5" d x 29" h

Left	
London Fog	45PEARF26LNT
Basa Natural	45PEARNT26LNT
Bastian Brown	45PEARB26LNT
Stratus	45PEARS26LNT
Ebony	45PEAREB26LNT
Right	
London Fog	45PEARF26RNT
Basa Natural	45PEARNT26RNT
Bastian Brown	45PEARB26RNT
Stratus	45PEARS26RNT
Ebony	45PEAREB26RNT



32" L/R STORAGE NIGHTSTAND

32" w x 19.5" d x 29" h

Left

London Fog	45PEARF32LNT
Basa Natural	45PEARN32LNT
Bastian Brown	45PEARB32LNT
Stratus	45PEARS32LNT
Ebony	45PEAREB32LNT

Right

London Fog	45PEARF32RNT
Basa Natural	45PEARN32RNT
Bastian Brown	45PEARB32RNT
Stratus	45PEARS32RNT
Ebony	45PEAREB32RNT



3-DRAWER CHEST

35" w x 19" d x 35" h

London Fog	45PEARF3DR
Basa Natural	45PEARN3DR
Bastian Brown	45PEARB3DR
Stratus	45PEARS3DR
Ebony	45PEAREB3DR



2-OVER-4 DRESSER

40.5" w x 22.75" d x 56.25" h

London Fog	45PEARF24
Basa Natural	45PEARN24
Bastian Brown	45PEARB24
Stratus	45PEARS24
Ebony	45PEAREB24



6-DRAWER WIDE DRESSER

67.75" w x 22.75" d x 38.5" h

London Fog	45PEARF6DR
Basa Natural	45PEARN6DR
Bastian Brown	45PEARB6DR
Stratus	45PEARS6DR
Ebony	45PEAREB6DR

ARHAUS®

your home

PEARSON

BEDROOM COLLECTION | MADE IN INDONESIA



11-DRAWER CHEST

67.75" w x 22.75" d x 53" h

London Fog
Basa Natural
Bastian Brown
Stratus
Ebony

45PEARF11DR
45PEARN11DR
45PEARB11DR
45PEARS11DR
45PEAREB11DR



WARDROBE

54" w x 21" d x 64" h

London Fog
Basa Natural
Bastian Brown
Stratus
Ebony

45PEARFWRD
45PEARNWRD
45PEARBWRD
45PEARSWRD
45PEAREBWRD



2-OVER-3 CHEST

40" w x 19.5" d x 40" h

London Fog
Basa Natural
Bastian Brown
Stratus
Ebony

45PEARF23
45PEARN23
45PEARB23
45PEARS23
45PEAREB23

ARHAUS®

your home

PEARSON

BEDROOM COLLECTION | MADE IN INDONESIA



LINGERIE CHEST

21.25" w x 20" d x 69" h

London Fog
Basa Natural
Bastian Brown
Stratus
Ebony

45PEARFLNG
45PEARLNG
45PEARBLNG
45PEARSLNG
45PEAREBLNG



NESTING NIGHTSTAND

32" w x 19.5" d x 29" h

London Fog
Basa Natural
Bastian Brown
Stratus
Ebony

45PEARFNN
45PEARNNN
45PEARBNN
45PEARSNN
45PEAREBNN



MIRROR

38" w x 1" d x 47" h

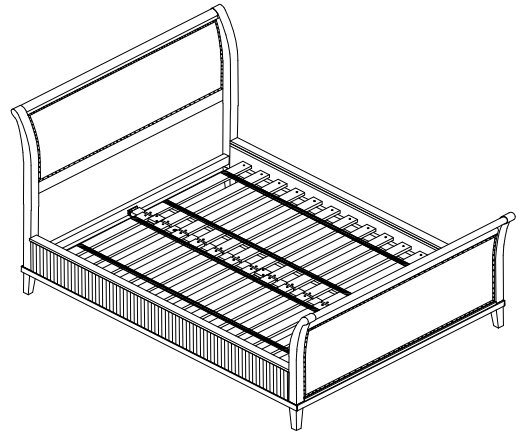
London Fog
Basa Natural
Bastian Brown
Stratus
Ebony


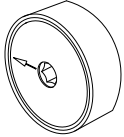
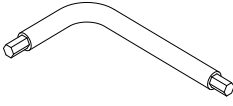
45PEARFMR
45PEARNMR
45PEARBMR
45PEARSMR
45PEAREBMR

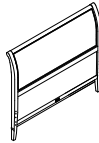
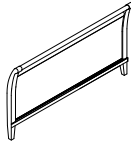
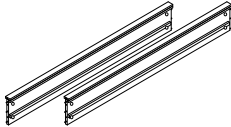
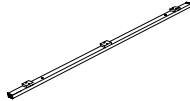
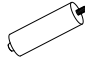
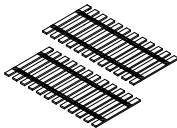
ARHAUS[®]

your home

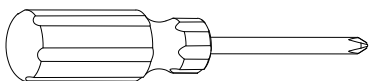
ASSEMBLY INSTRUCTION PEARSON BED UPH



Ltr.	Qty.	Hardware Included
A	8	 Bolts
B	8	 CAM LOCK
C	1	 Allen Key

Ltr.	Qty.	Part List
D	1	 Headboard
E	1	 Footboard
F	2	 Side Rail
G	1	 Center Support Rail
H	3	 Center Supports Leg
I	2	 Slat Rolls

Tools Not Included:



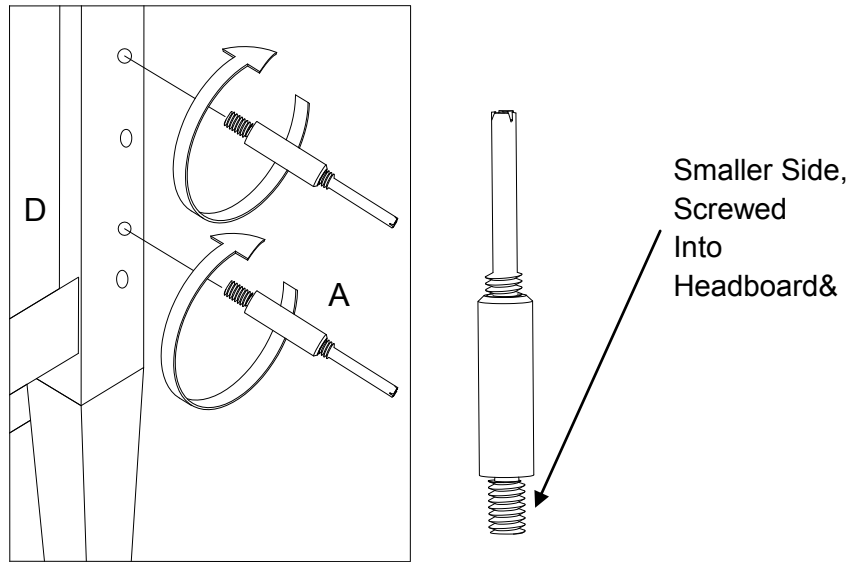
Screwdriver

ARHAUS[®]

your home

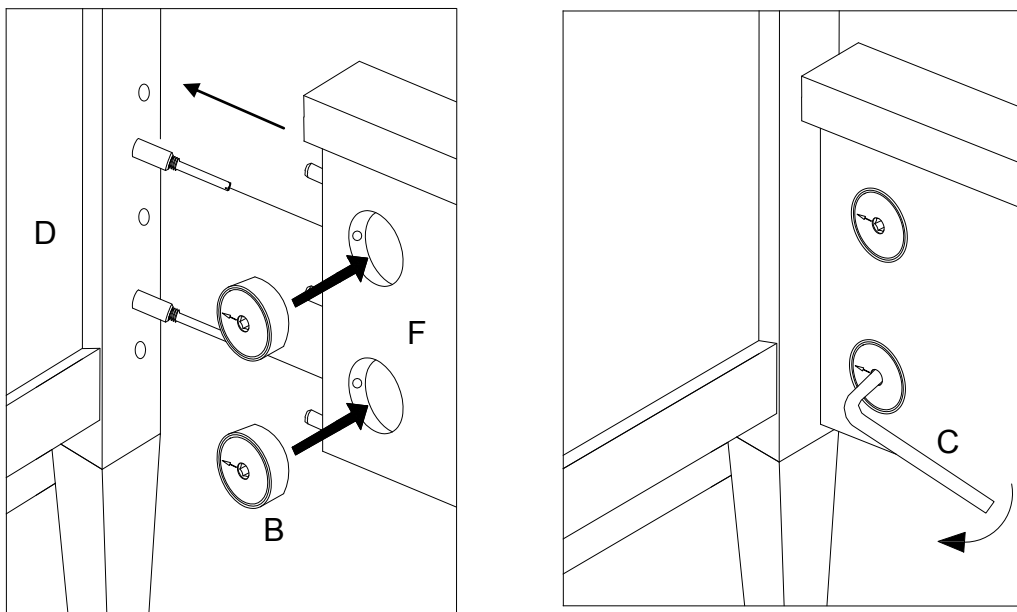
Step 1:

- With your hand, screw the shorter side of the Bolt (A) into the center slot on the Headboard by rotating the bolt in clockwise rotation until get tight(D).



Step 2:

- Install the cam lock with the arrow facing the bolt. Slide the Side Rail (F) into the Headboard (D) with the cam lock and Wood Support Rails (G) holders facing inward. Tighten the cam lock with the Allen Key (C) in clockwise rotation until it get tight and repeat this process on all 4 corners.

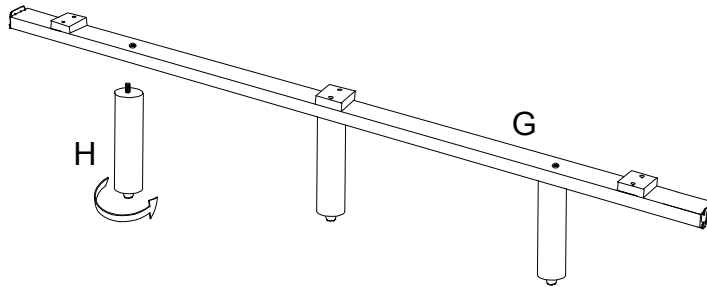


ARHAUS[®]

your home

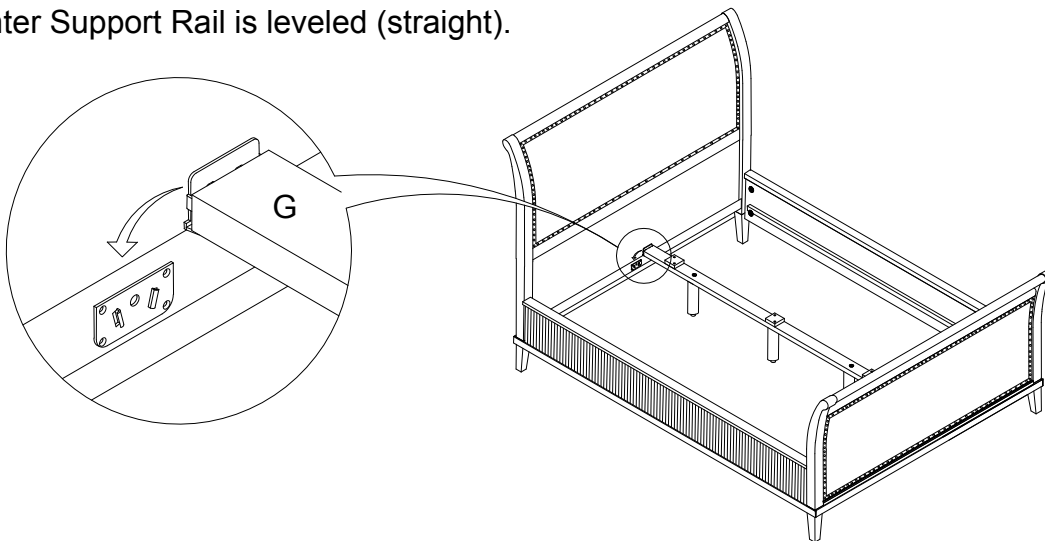
Step 3:

- Assemble Center Support Legs (H) to the Center Supports Rail (G) by turning clockwise the exposed threads on top of the legs to the insert nut on the Center Supports Rail.



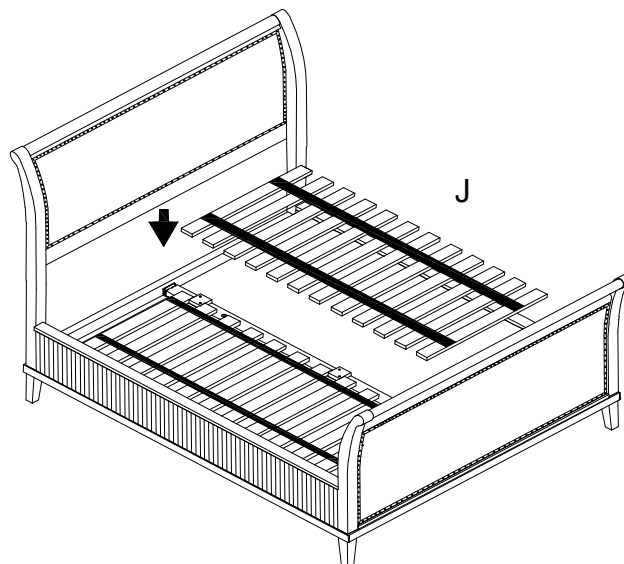
Step 4:

- Attach the Center Support Rail (G) to the Headboard (D) & Footboard (E) by locking in the hooks. Push down firmly. Adjust the levelers on the bottom of the support legs to ensure the Center Support Rail is leveled (straight).



Step 5:

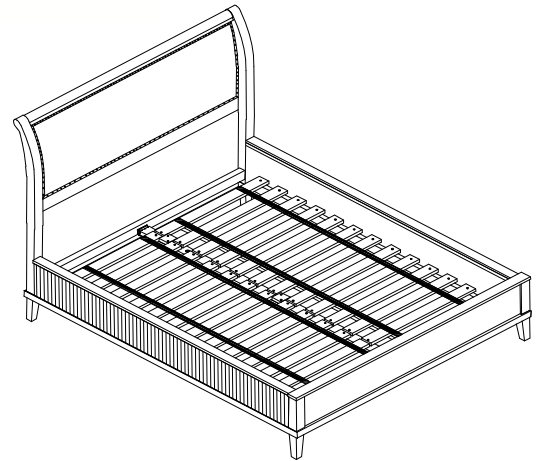
- Lay the Slat Rolls (I) on top of the Supports with strap facing up.

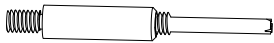
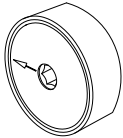
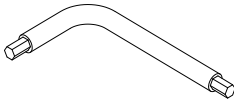


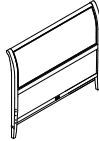
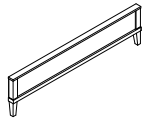
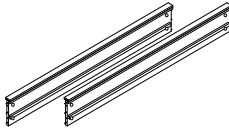
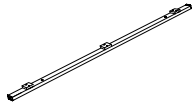
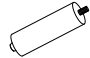
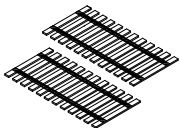
ARHAUS[®]

your home

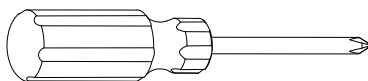
ASSEMBLY INSTRUCTION PEARSON BED UPH L



Ltr.	Qty.	Hardware Included
A	8	 Bolts
B	8	 CAM LOCK
C	1	 Allen Key

Ltr.	Qty.	Part List
D	1	 Headboard
E	1	 Footboard
F	2	 Side Rail
G	1	 Center Support Rail
H	3	 Center Supports Leg
I	2	 Slat Rolls

Tools Not Included:



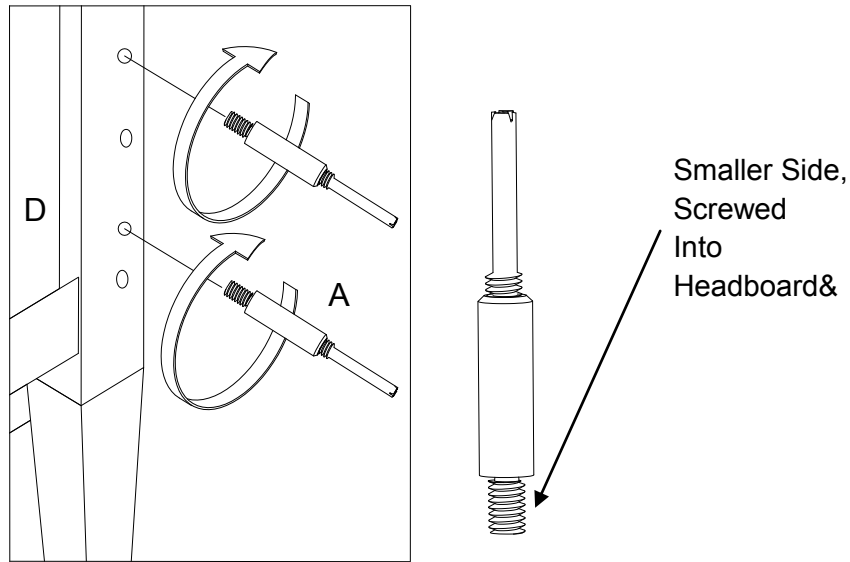
Screwdriver

ARHAUS[®]

your home

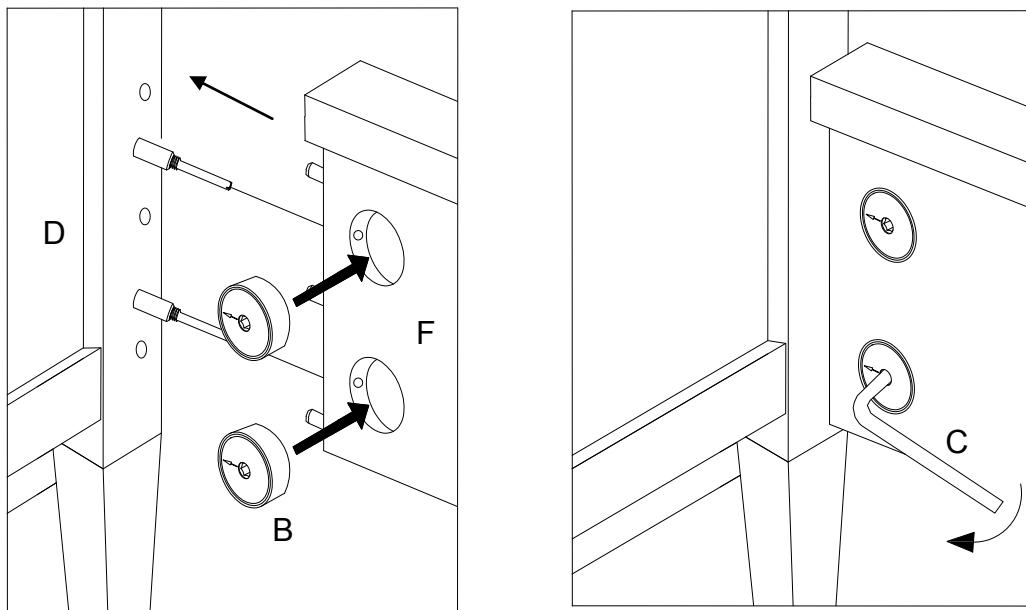
Step 1:

- With your hand, screw the shorter side of the Bolt (A) into the center slot on the Headboard by rotating the bolt in clockwise rotation until get tight(D).



Step 2:

- Install the cam lock with the arrow facing the bolt. Slide the Side Rail (F) into the Headboard (D) with the cam lock and Wood Support Rails (G) holders facing inward. Tighten the cam lock with the Allen Key (C) in clockwise rotation until it get tight and repeat this process on all 4 corners.

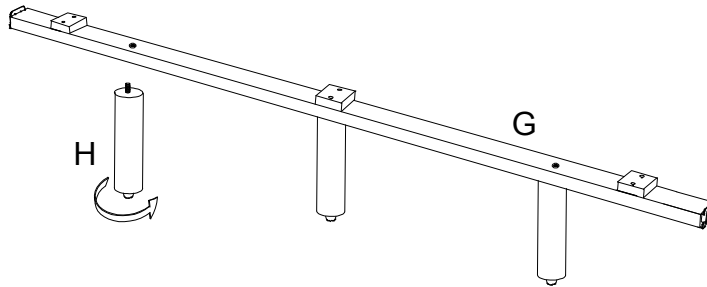


ARHAUS[®]

your home

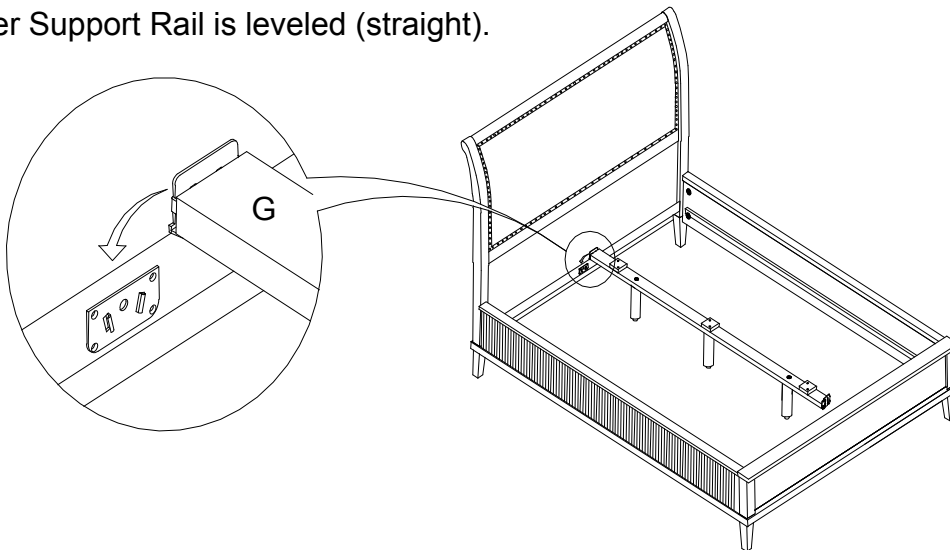
Step 3:

- Assemble Center Support Legs (H) to the Center Supports Rail (G) by turning clockwise the exposed threads on top of the legs to the insert nut on the Center Supports Rail.



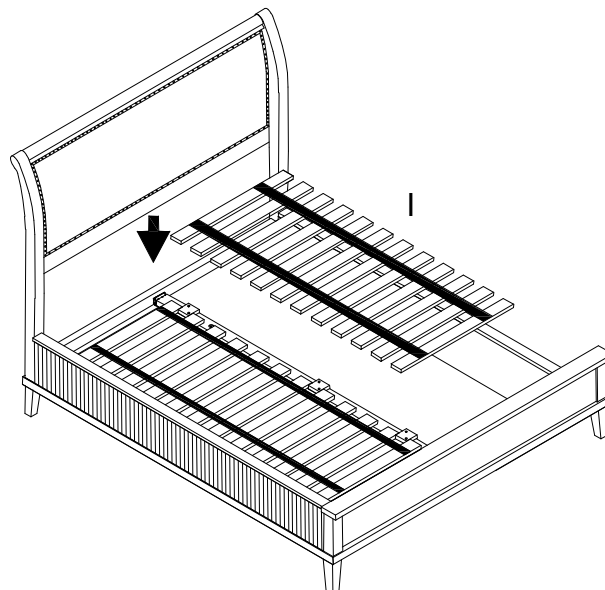
Step 4:

- Attach the Center Support Rail (G) to the Headboard (D) & Footboard (E) by locking in the hooks. Push down firmly. Adjust the levelers on the bottom of the support legs to ensure the Center Support Rail is leveled (straight).



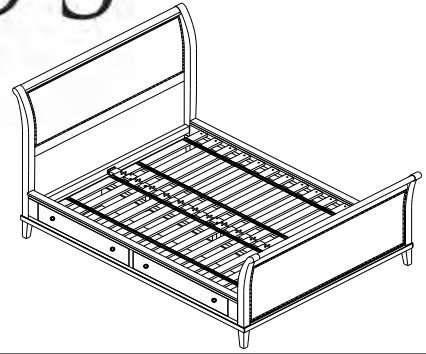
Step 5:

- Lay the Slat Rolls (I) on top of the Supports with strap facing up.



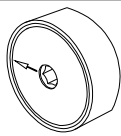




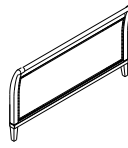
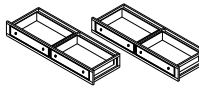
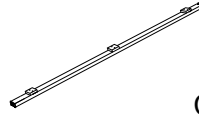
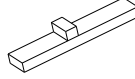
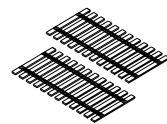

ARHAUS[®]

your home

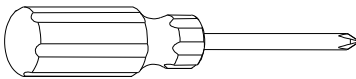


ASSEMBLY INSTRUCTION PEARSON STORAGE KING BED

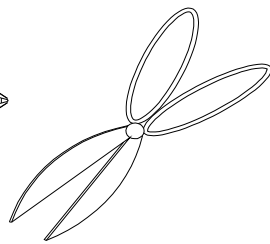
Ltr	Qty	Hardware Included
A	12	 Wood Screws
B	8	 Bolts
C	8	 Cam Lock
D	1	 Allen Key

Ltr	Qty	Part List
E	1	 Headboard
F	1	 Footboard
G	2	 Storage Side Rail
H	1	 Center Support Rail
I	6	 Storage Support Legs
J	2	 Slat Rolls
K	3	 Center Supports Leg

Tools Not Included:



Screwdriver



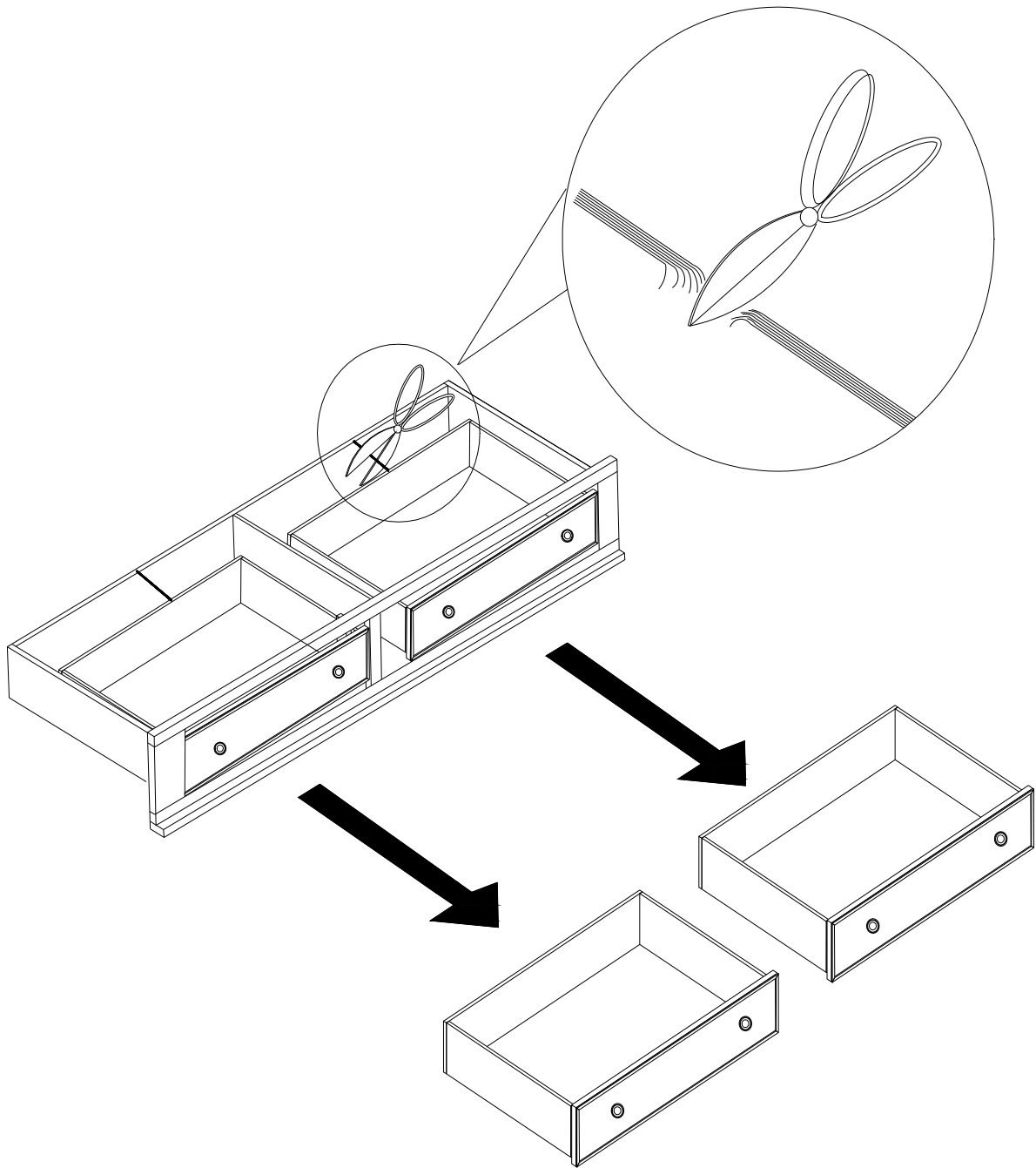
Scissor

ARHAUS[®]

your home

Step 1:

- Cut the strap using scissor and release the drawers.

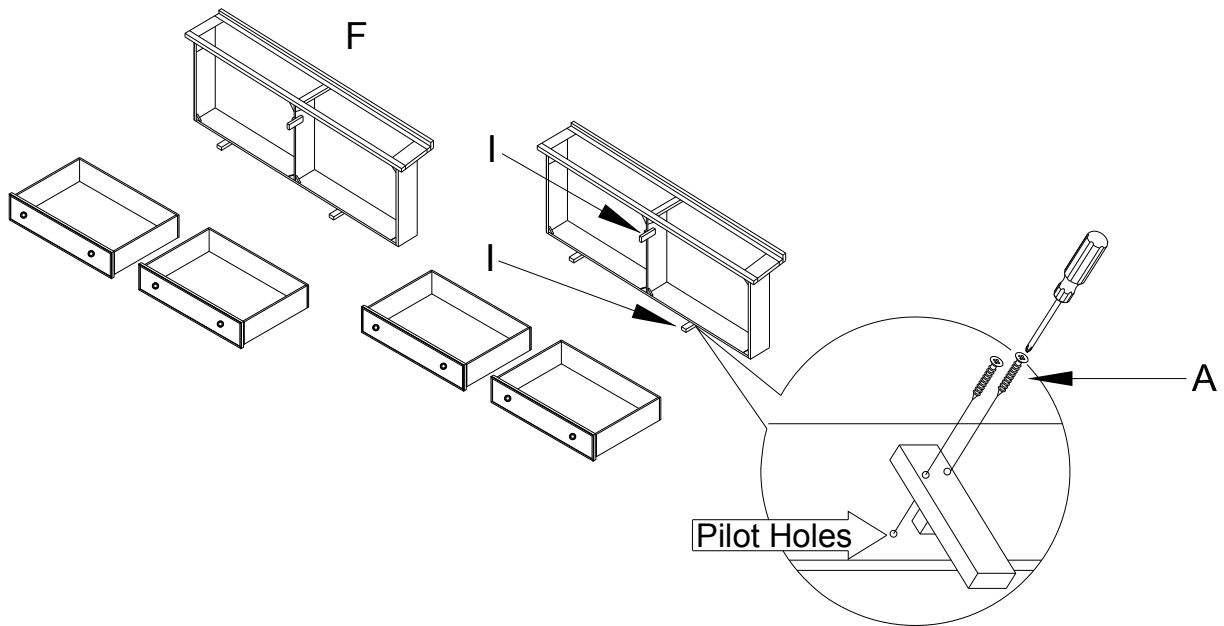


ARHAUS[®]

your home

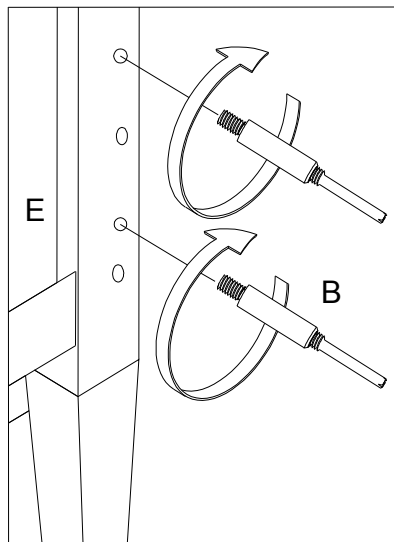
Step 2:

- Install the Support Rail into the back frame and center panel by finding the pilot holes provided.



Step 3:

- With your hand, screw the shorter side of the Bolt (B) into the center slot on the Headboard (E) and Footboard (F) by rotating the bolt in clockwise rotation until get tight.

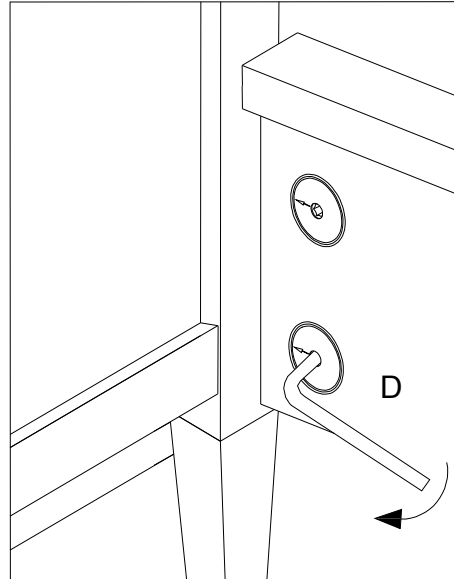
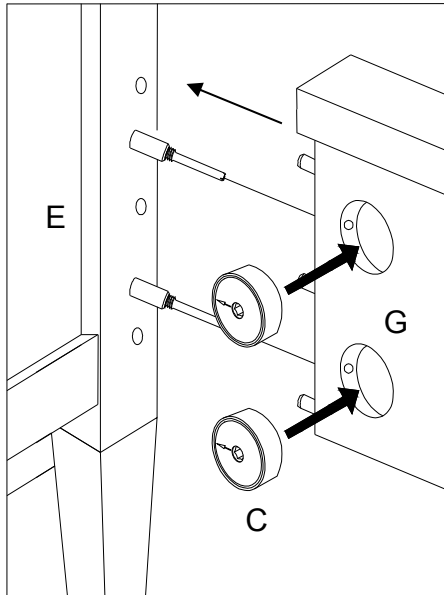


Smaller Side,
Screwed
Into
Headboard &
Footboard

ARHAUS®

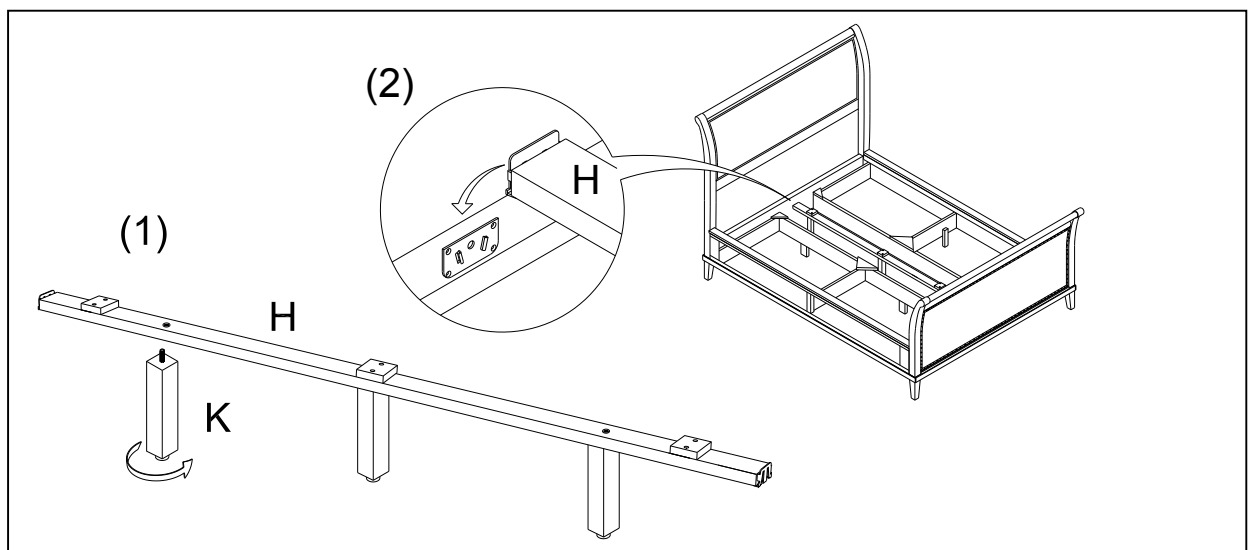
your home

- Install the cam lock with the arrow facing the bolt. Slide the Side Rail (G) into the Headboard (E) with the cam lock and Wood Support Rails (H) holders facing inward. Tighten the cam lock with the Allen Key (D) in clockwise rotation until it get tight and repeat this process on all 4 corners.



Step 4:

- **(1)** Assemble Center Support Legs (K) to the Center Supports Rail (H) by turning clockwise the exposed threads on top of the legs to the insert nut on the Center Supports Rail.
- **(2)** Attach the Center Support Rail (H) to the Headboard (E) & Footboard (F) by locking in the hooks. Push down firmly. Adjust the levelers on the bottom of the support legs to ensure the Center Support Rail is leveled (straight).

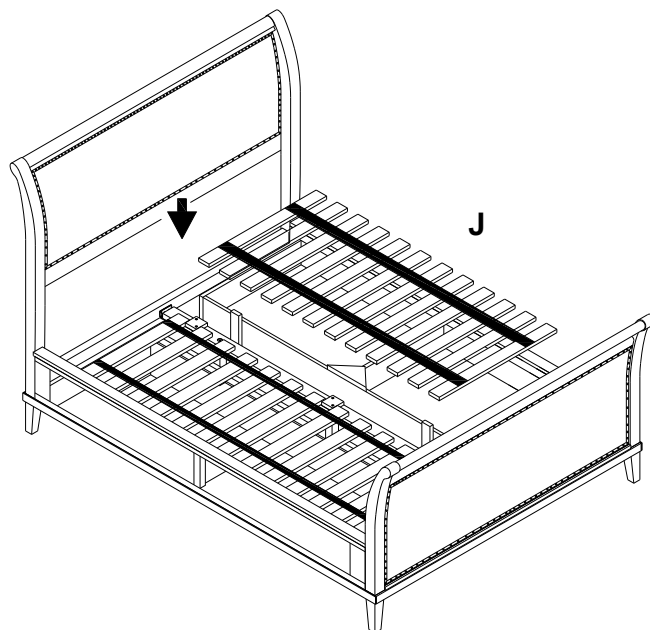


ARHAUS[®]

your home

Step 5:

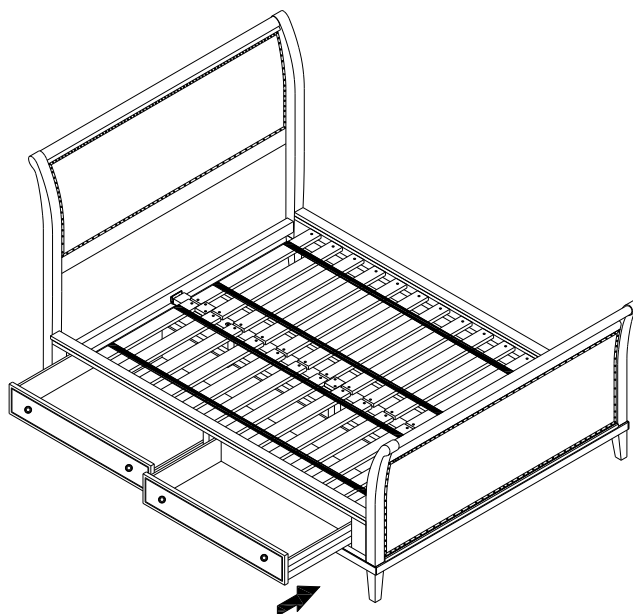
- Lay the Slat Rolls (J) on top of the Storage with strap facing up.



Step 5:

- Insert the Drawers into the Storage Side Rails.

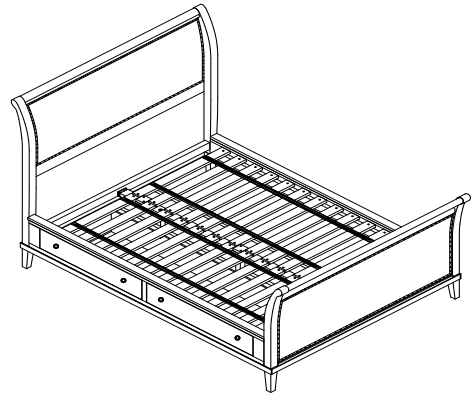
(Assembly is complete)

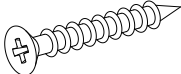
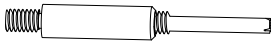
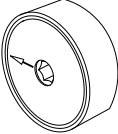



ARHAUS[®]

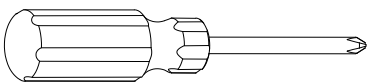
your home

ASSEMBLY INSTRUCTION PEARSON STORAGE QUEEN BED

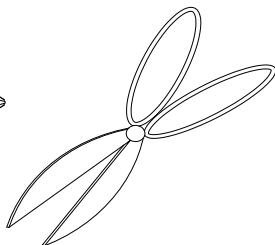


Ltr.	Qty.	Hardware Included
A	12	 Wood Screws
B	8	 Bolts
C	8	 CAM LOCK
D	1	 Allen Key



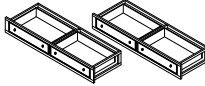
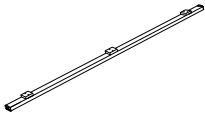
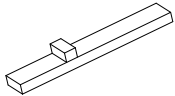
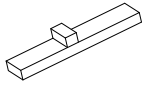
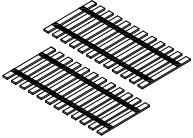
Tools Not Included:



Screwdriver



Scissor

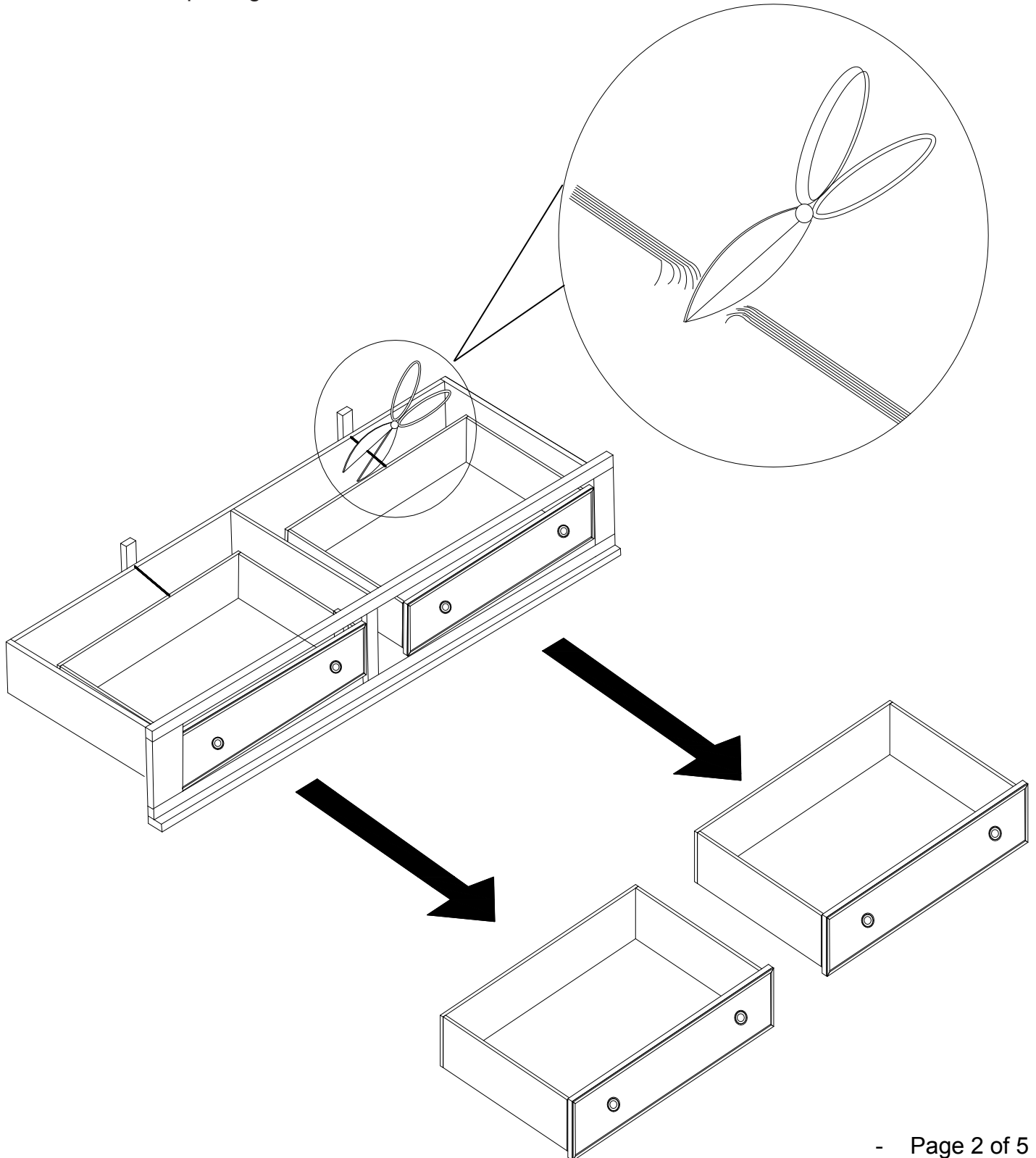
Ltr.	Qty.	Part List
E	1	 Headboard
F	1	 Footboard
G	2	 Storage Side Rail
H	1	 Center Support Rail
I	4	 Long Storage Support Legs
J	2	 Short Storage Support Legs
K	2	 Slat Rolls

ARHAUS[®]

your home

Step 1:

- Cut the strap using scissor and release the drawers.

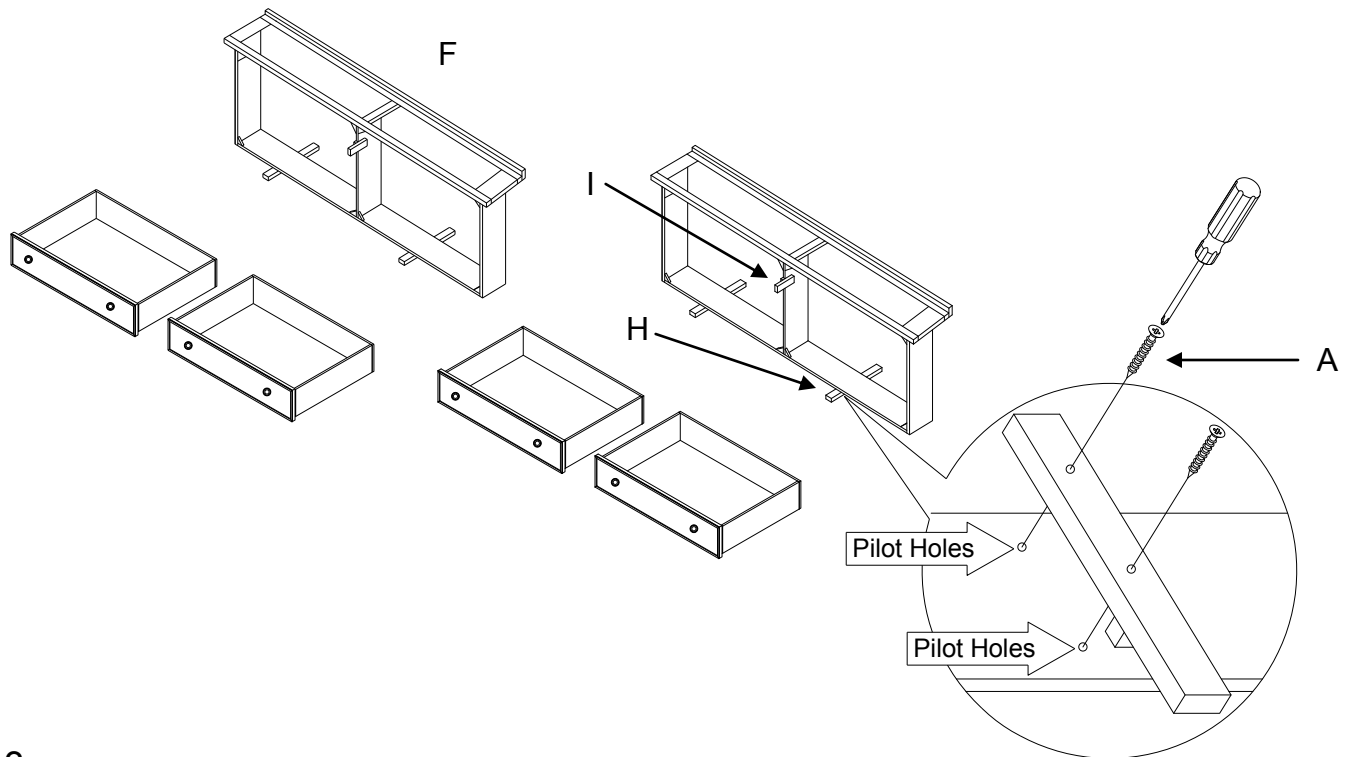


ARHAUS[®]

your home

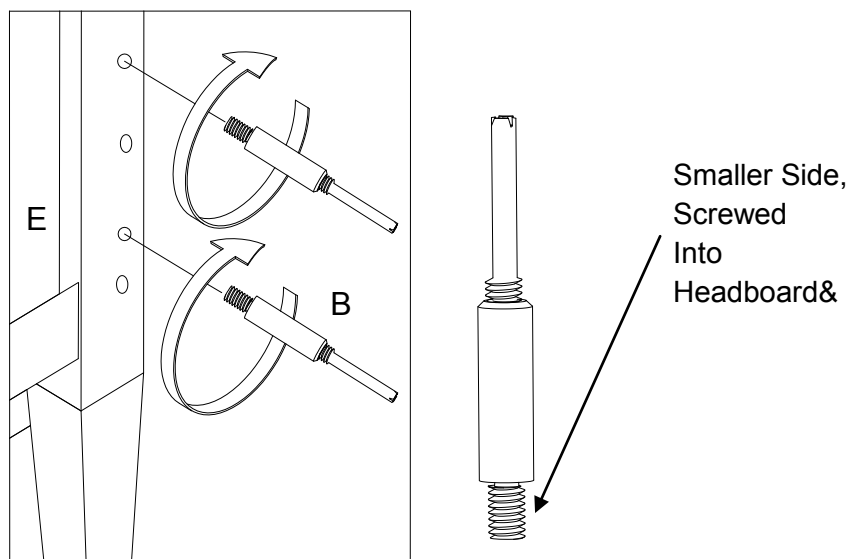
Step 2:

- Install the H (Long Support Rail) into the back frame of where the drawers would fit in by the pilot holes provided.
- Install the I (Short Support Rail) on the center panel by finding the pilot holes provided.



Step 3:

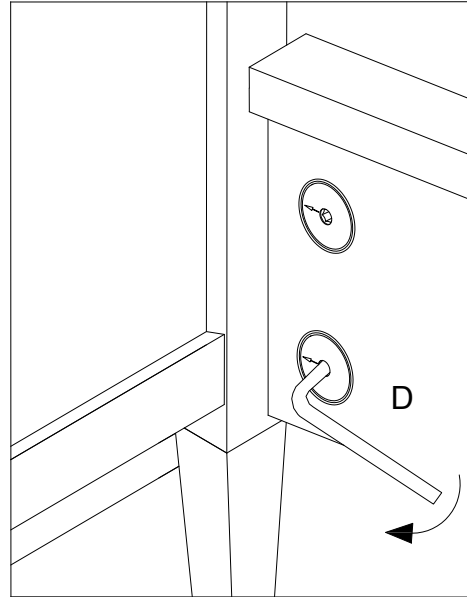
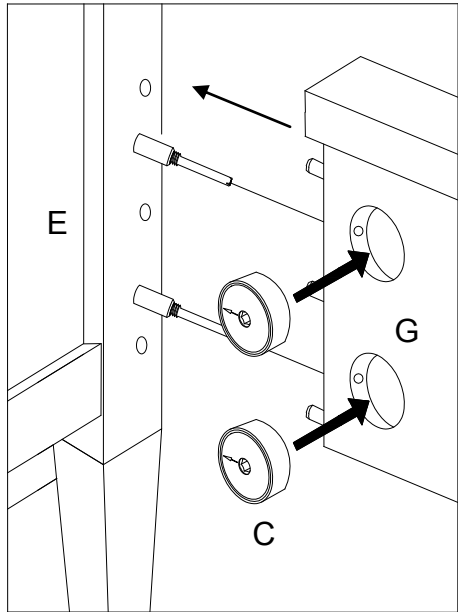
- With your hand, screw the shorter side of the Bolt (B) into the center slot on the Headboard by rotating the bolt in clockwise rotation until get tight(E).



ARHAUS[®]

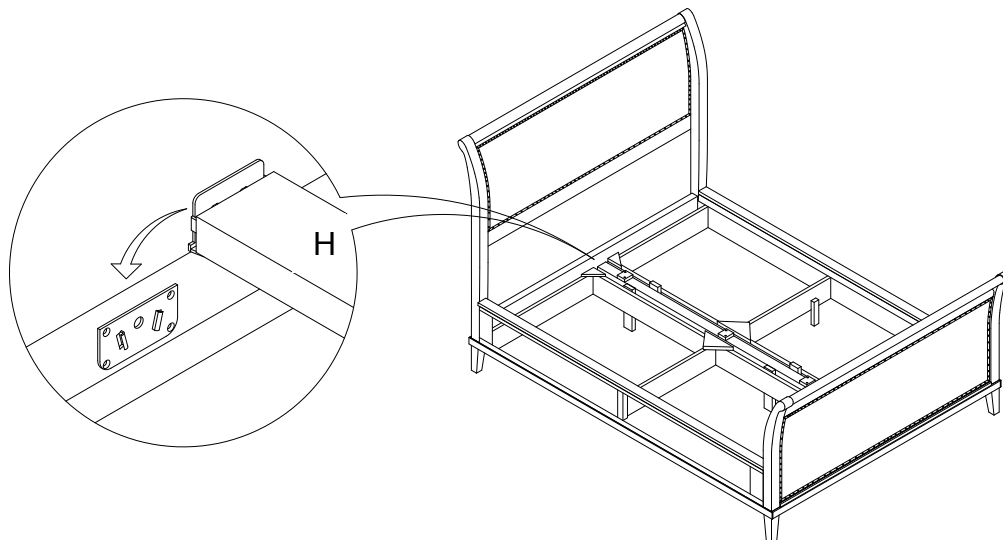
your home

- Install the cam lock with the arrow facing the bolt. Slide the Side Rail (G) into the Headboard (E) with the cam lock and Wood Support Rails (H) holders facing inward. Tighten the cam lock with the Allen Key (D) in clockwise rotation until it get tight and repeat this process on all 4 corners.



Step 4:

- Attach the Center Support Rail (H) to the Headboard (E) & Footboard (F) by locking in the hooks. Push down firmly. Adjust the levelers on the bottom of the support legs to ensure the Center Support Rail is leveled (straight).

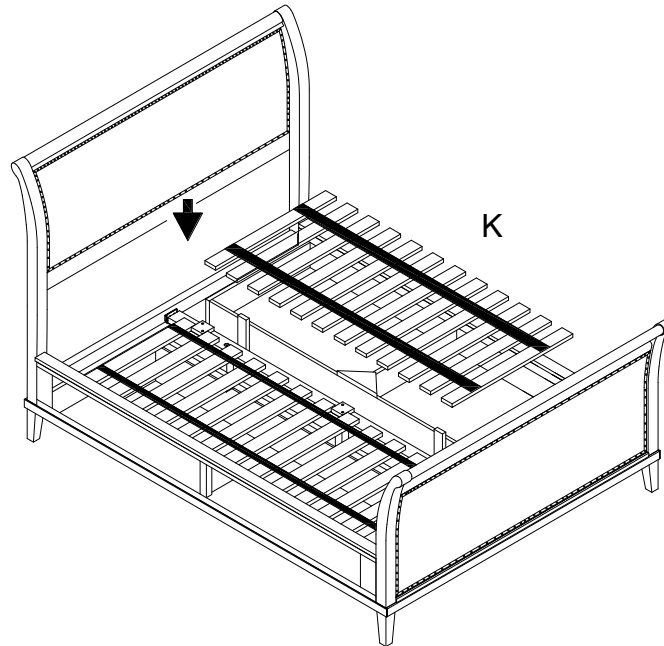


ARHAUS[®]

your home

Step 5:

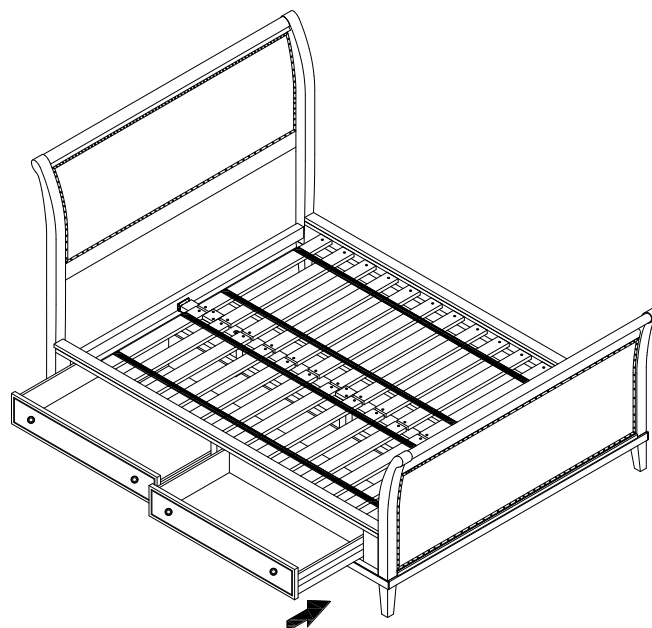
- Lay the Slat Rolls (K) on top of the Storage with strap facing up.



Step 5:

- Insert the Drawers into the Storage Side Rails.

(Assembly is complete)

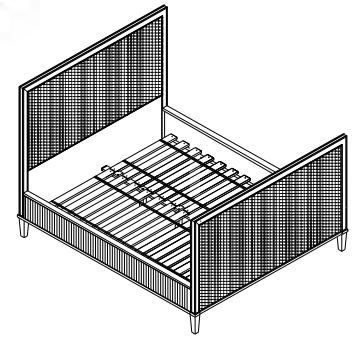



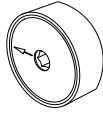

ARHAUS[®]

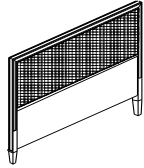
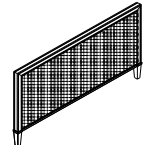
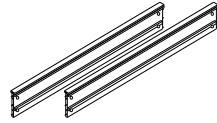
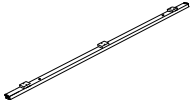

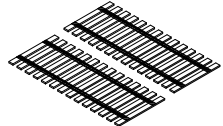
your home

ASSEMBLY INSTRUCTION

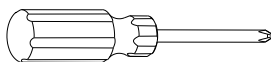
PEARSON CANE BED



Ltr	Qty	Hardware Included
A	8	 Bolts
B	8	 Cam Lock
C	1	 Allen Key

Ltr	Qty	Parts List
D	1	 Headboard
E	1	 Footboard
F	2	 Side Rail
G	1	 Center Support Rail
H	3	 Center Supports Leg
I	2	 Slat Rolls

Tools Not Included:



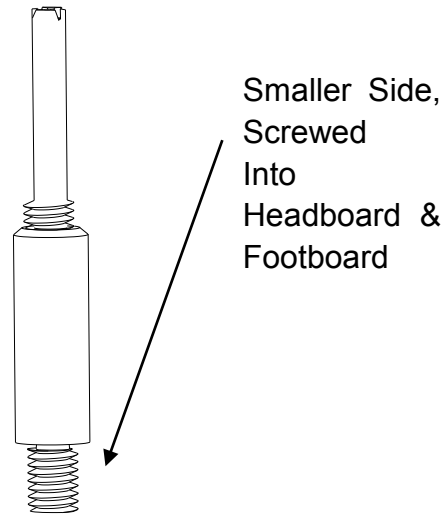
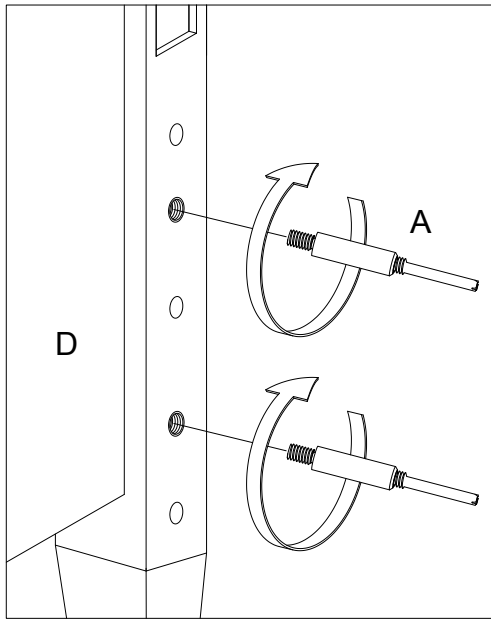
Screwdriver

ARHAUS[®]

your home

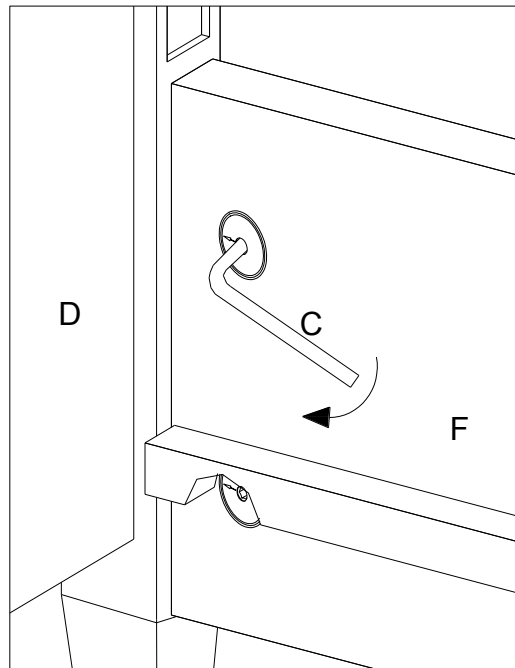
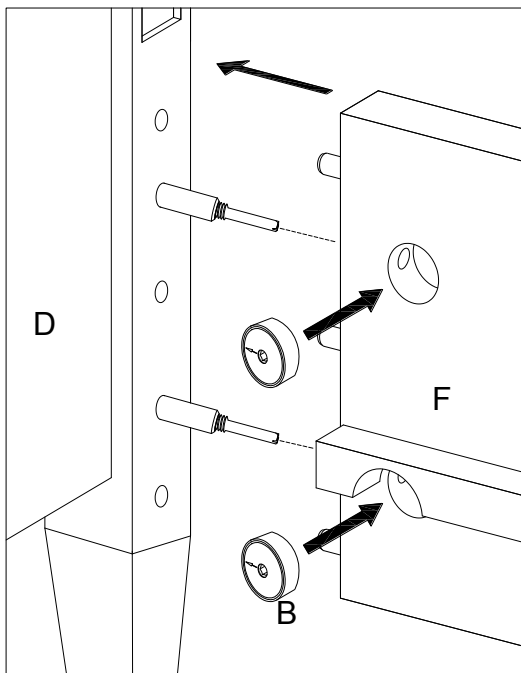
Step 1:

- With your hand, screw the shorter side of the Bolt (A) into the center slot on the Headboard (D) and Footboard (E) by rotating the bolt in clockwise rotation until get tight.



Step 2:

- Install the cam lock with the arrow facing the bolt. Slide the Side Rail (F) into the Headboard (D) with the cam lock (B) and Wood Support Rails (G) holders facing inward. Tighten the cam lock with the Allen Key (C) in clockwise rotation until it get tight and repeat this process on all 4 corners.

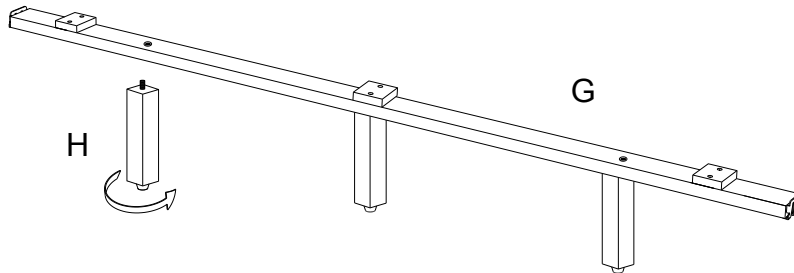


ARHAUS[®]

your home

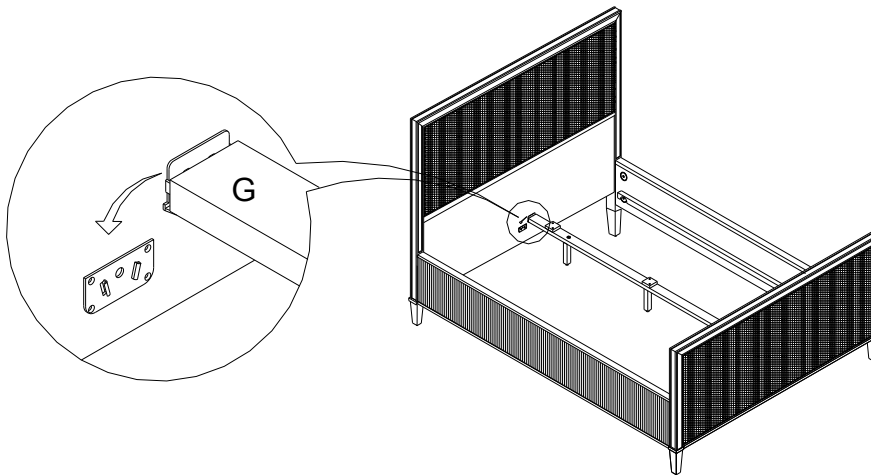
Step 3:

- Assemble Center Support Legs (H) to the Center Supports Rail (G) by turning clockwise the exposed threads on top of the legs to the insert nut on the Center Supports Rail.



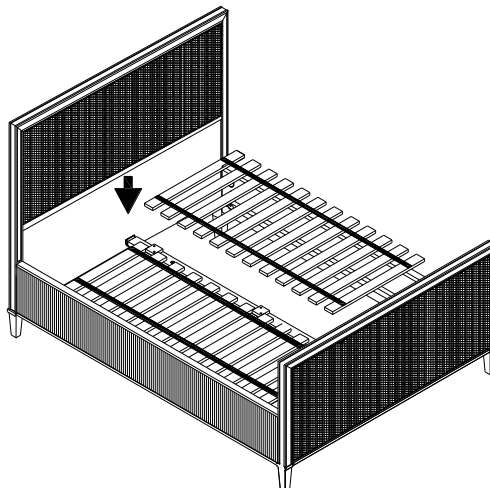
Step 4:

- Attach the Center Support Rail (G) to the Headboard (D) & Footboard (E) by locking in the hooks. Push down firmly. Adjust the levelers on the bottom of the support legs to ensure the Center Support Rail is leveled (straight).



Step 5:

- Lay the Slat Rolls (I) on top of the Supports with strap facing up.

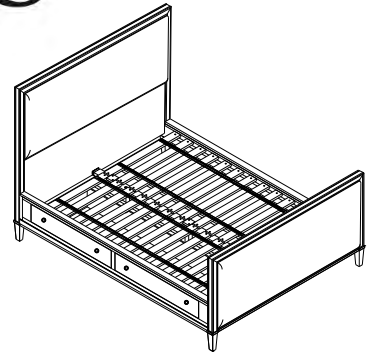




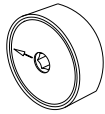

ARHAUS[®]

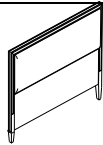
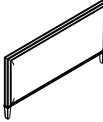
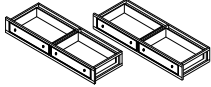
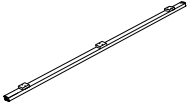
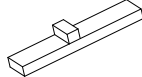
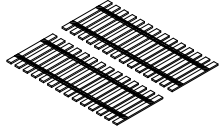

your home

ASSEMBLY INSTRUCTION

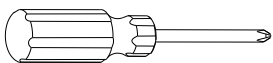
PEARSON GALLERY STORAGE KING BED



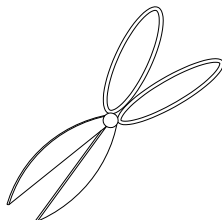
Ltr	Qty	Hardware Included
A	12	 Wood Screws
B	8	 Bolts
C	8	 Cam Lock
D	1	 Allen Key

Ltr	Qty	Parts List
E	1	 Headboard
F	1	 Footboard
G	2	 Storage Side Rail
H	1	 Center Support Rail
I	6	 Storage Support Legs
J	2	 Slat Rolls
K	3	 Center Supports Leg

Tolls Not Included:



Screwdriver



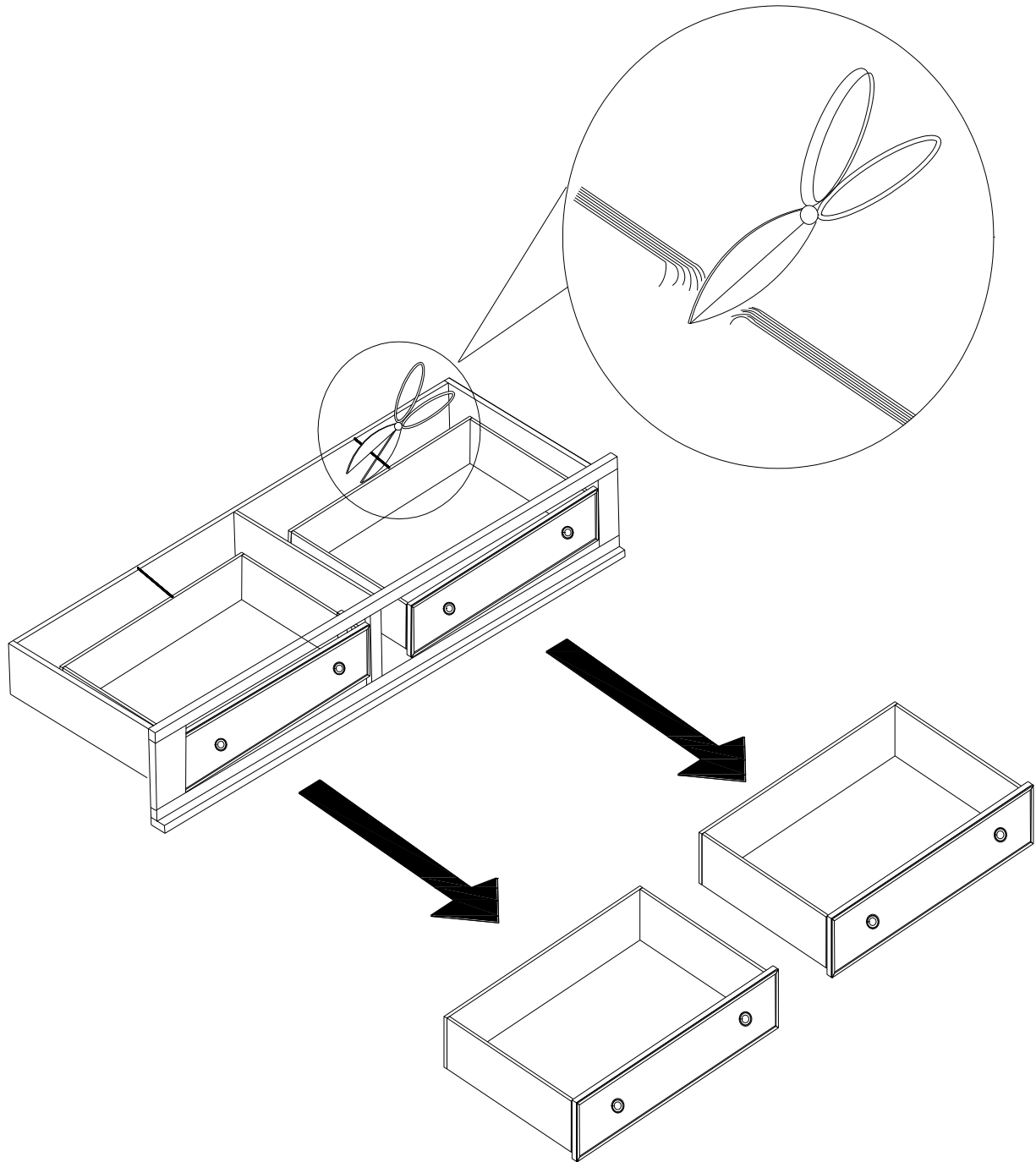
Scissor

ARHAUS[®]

your home

Step 1:

- Cut the strap using scissor and release the drawers.

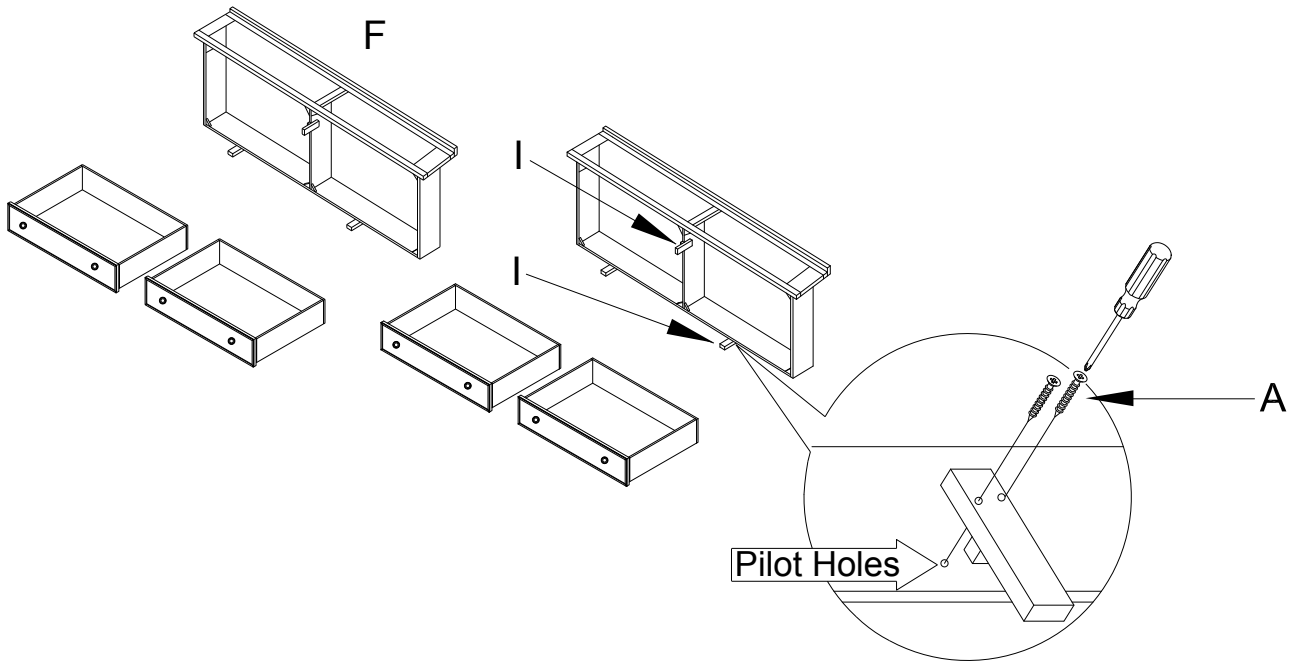


ARHAUS[®]

your home

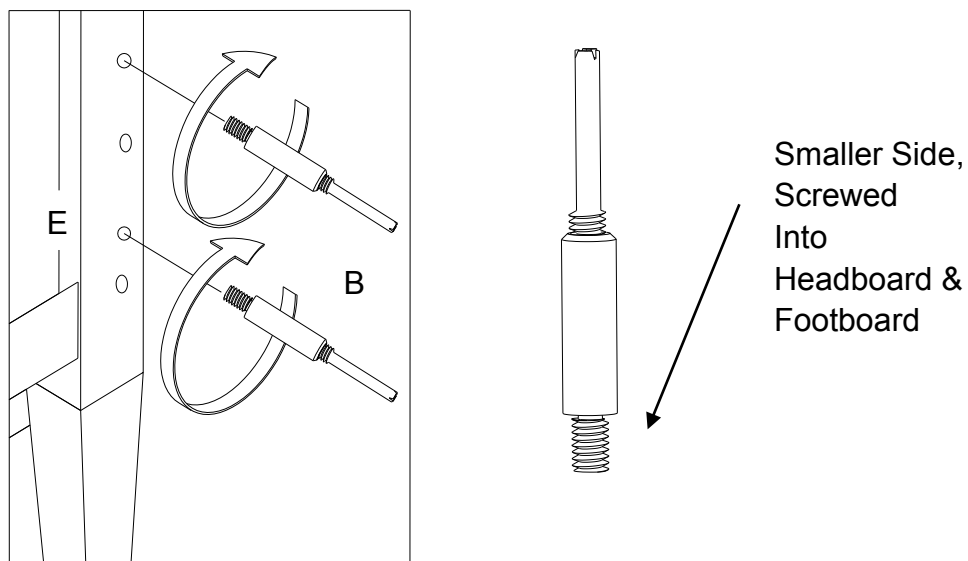
Step 2:

- Install the Support Rail into the back frame and center panel by finding the pilot holes provided.



Step 3:

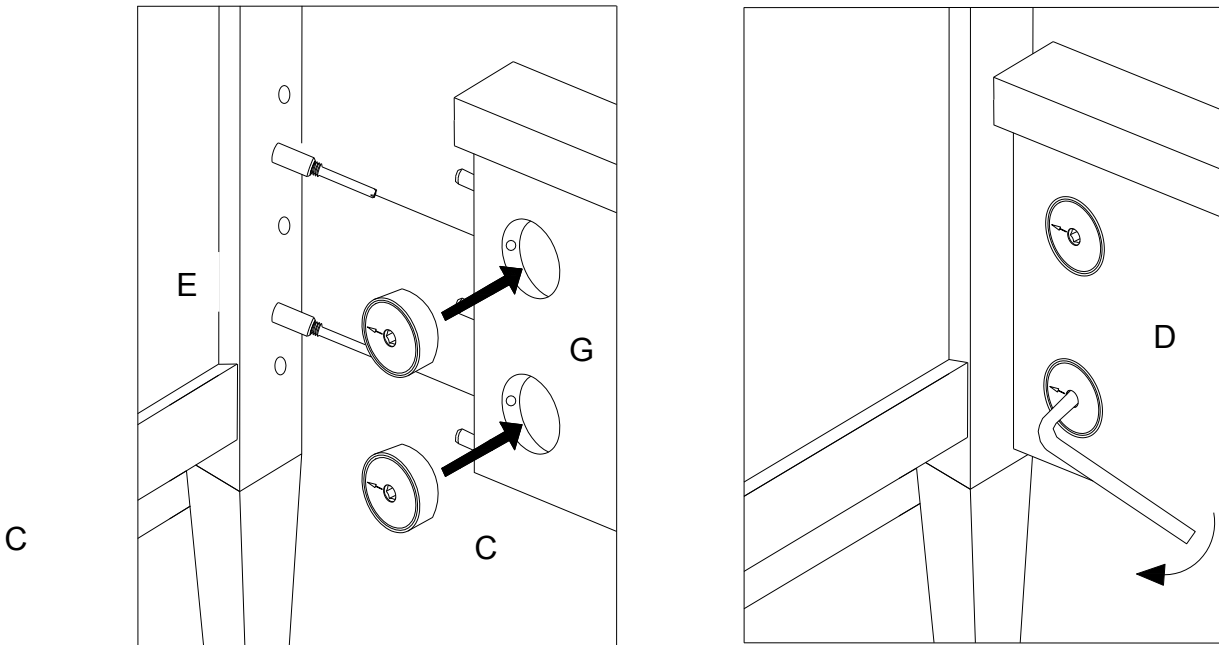
- With your hand, screw the shorter side of the Bolt (B) into the center slot on the Headboard (E) and Footboard (F) by rotating the bolt in clockwise rotation until get tight.



ARHAUS[®]

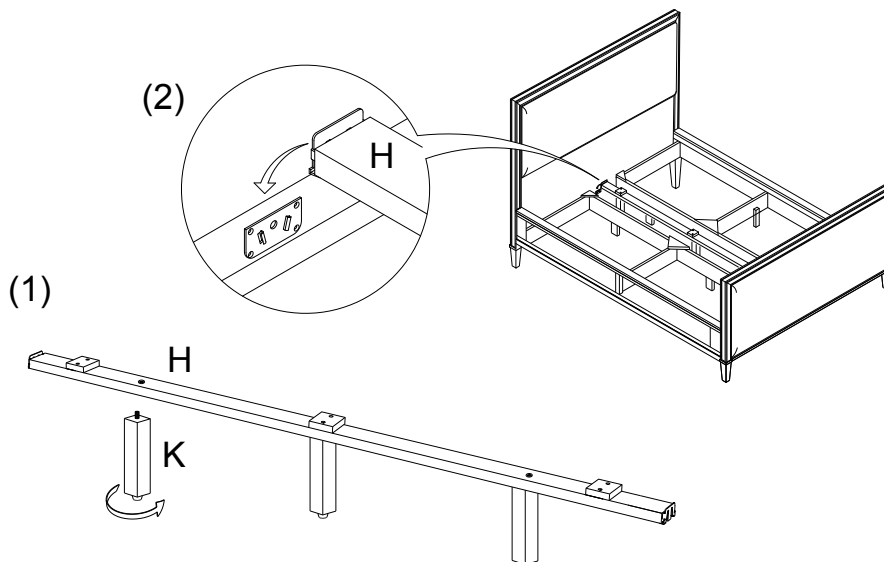
your home

- Install the cam lock with the arrow facing the bolt. Slide the Side Rail (G) into the Headboard (E) with the cam lock and Wood Support Rails (H) holders facing inward. Tighten the cam lock with the Allen Key (D) in clockwise rotation until it get tight and repeat this process on all 4 corners.



Step 4:

- **(1)** Assemble Center Support Legs (K) to the Center Supports Rail (H) by turning clockwise the exposed threads on top of the legs to the insert nut on the Center Supports Rail.
- **(2)** Attach the Center Support Rail (H) to the Headboard (E) & Footboard (F) by locking in the hooks. Push down firmly. Adjust the levelers on the bottom of the support legs to ensure the Center Support Rail is leveled (straight).

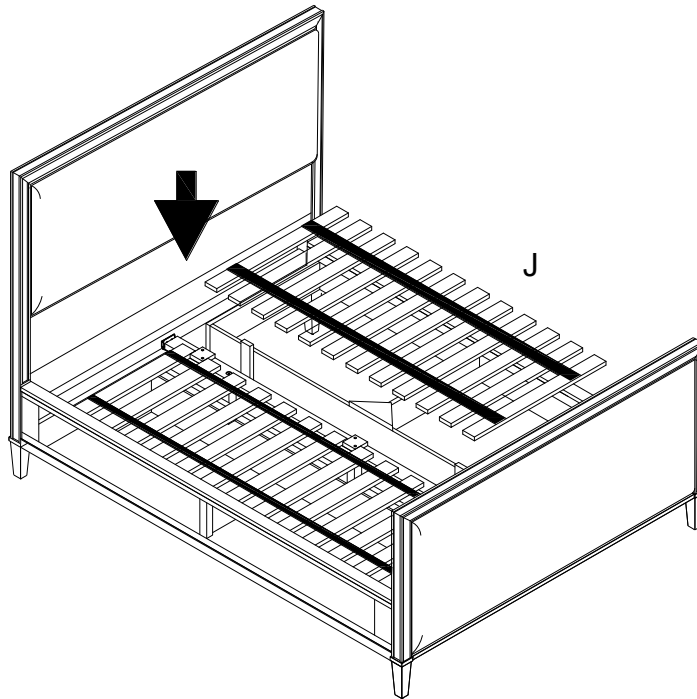


ARHAUS[®]

your home

Step 5:

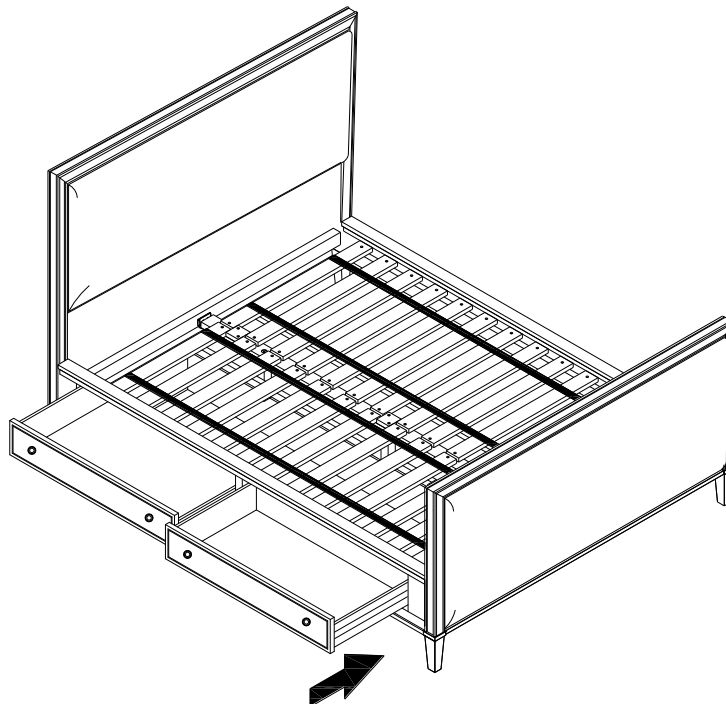
- Lay the Slat Rolls (J) on top of the Storage with strap facing up.



Step 6:

- Insert the Drawers into the Storage Side Rails.

(Assembly is complete)

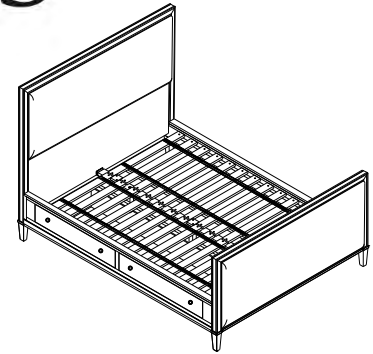




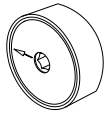

ARHAUS®

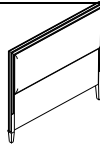
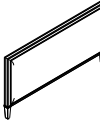
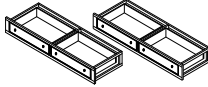
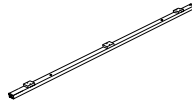
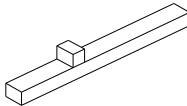
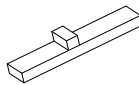
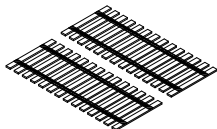
your home

ASSEMBLY INSTRUCTION

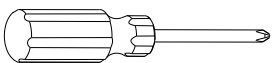
PEARSON GALLERY STORAGE QUEEN BED



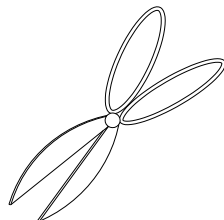
Ltr	Qty	Hardware Included
A	12	 Wood Screws
B	8	 Bolts
C	8	 Cam Lock
D	1	 Allen Key

Ltr	Qty	Parts List
E	1	 Headboard
F	1	 Footboard
G	2	 Storage Side Rail
H	1	 Center Support Rail
I	4	 Long Storage Support Legs
J	2	 Short Storage Support Legs
K	2	 Slat Rolls

Tolls Not Included:



Screwdriver



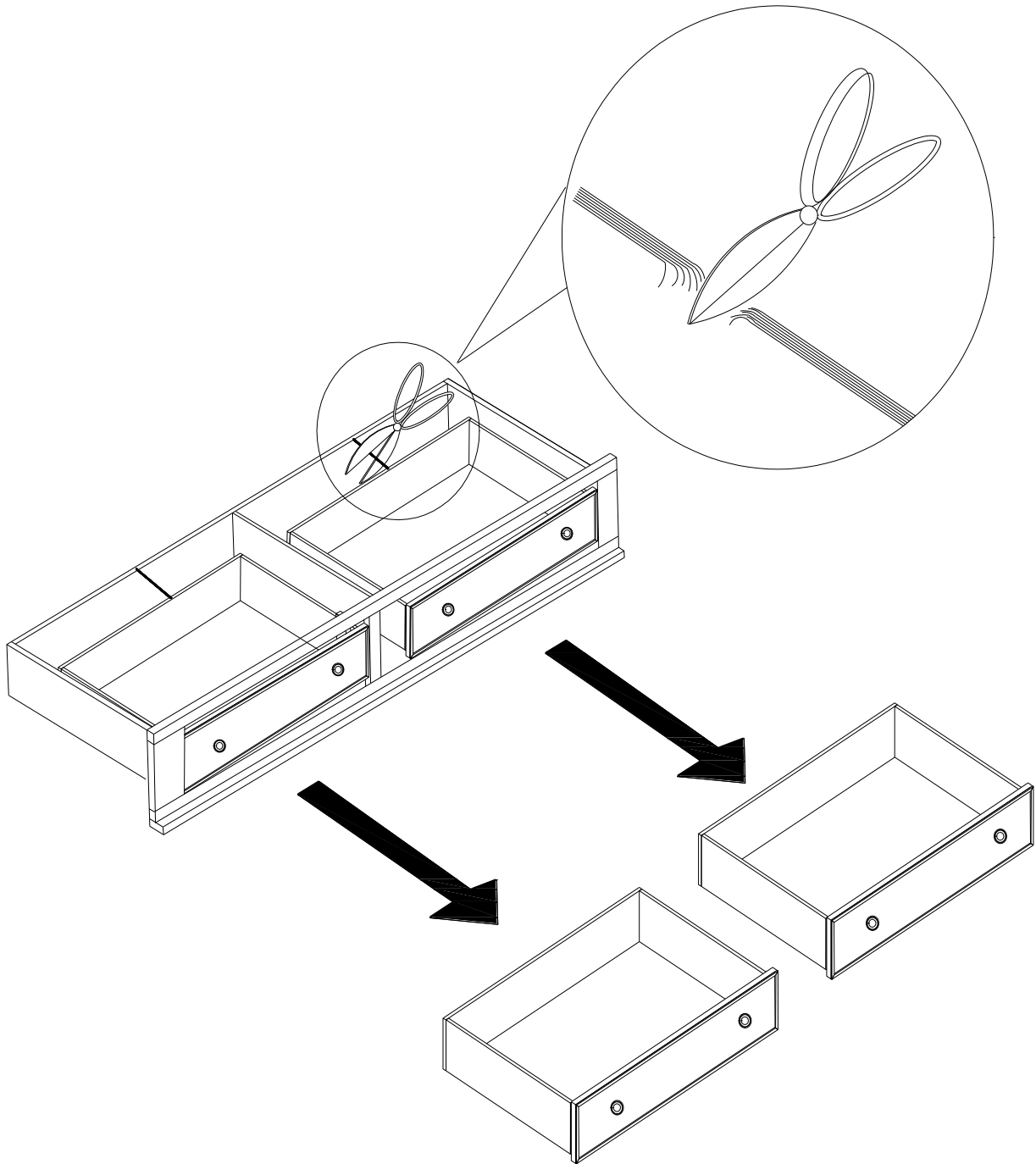
Scissor

ARHAUS[®]

your home

Step 1:

- Cut the strap using scissor and release the drawers.

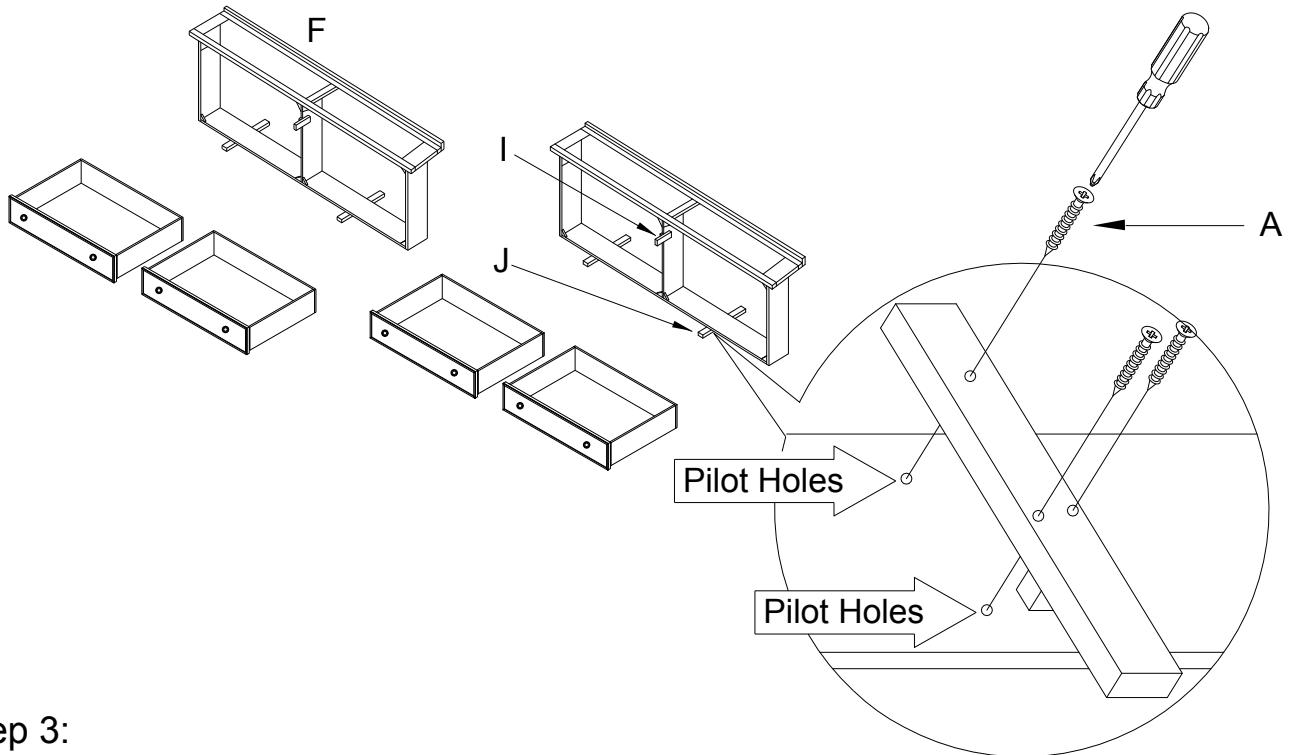


ARHAUS[®]

your home

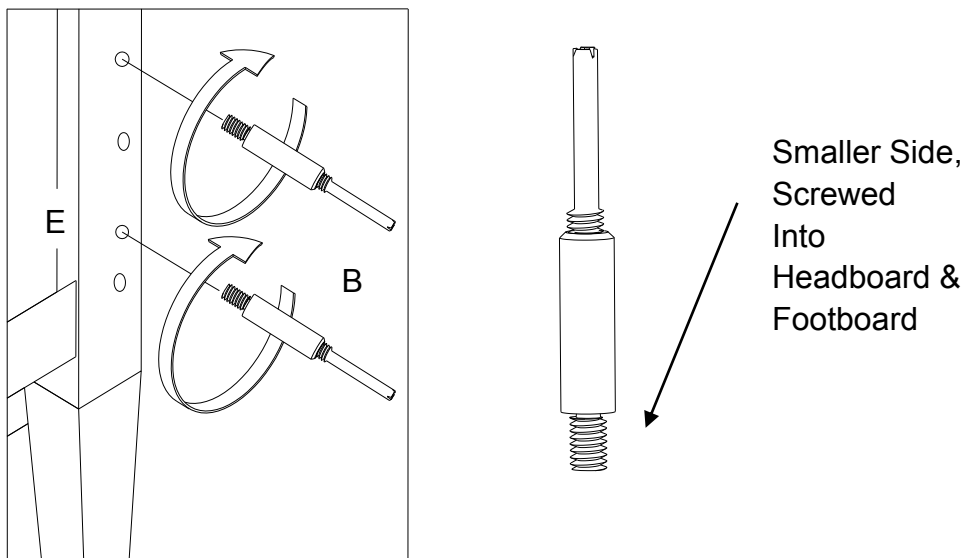
Step 2:

- Install the Long Support Rail (I) into the back frame of where the drawers would fit in by the pilot holes provided.
- Install the Short Support Rail (J) on the center panel by finding the pilot holes provided.



Step 3:

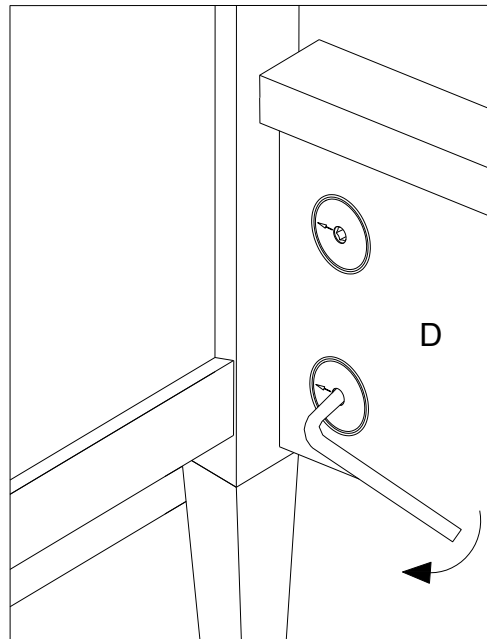
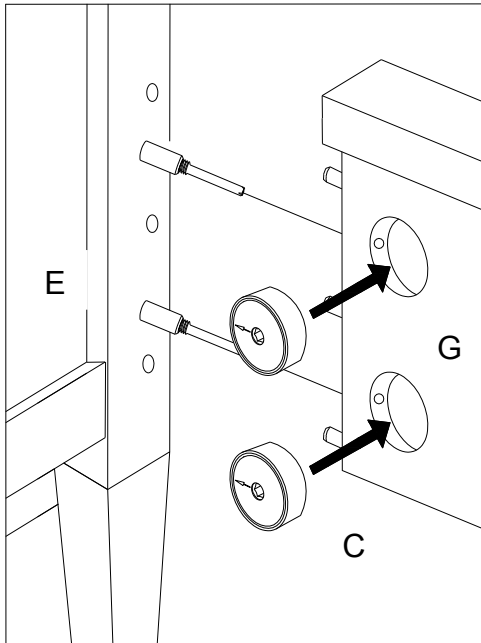
- With your hand, screw the shorter side of the Bolt (B) into the center slot on the Headboard (E) and Footboard (F) by rotating the bolt in clockwise rotation until get tight.



ARHAUS[®]

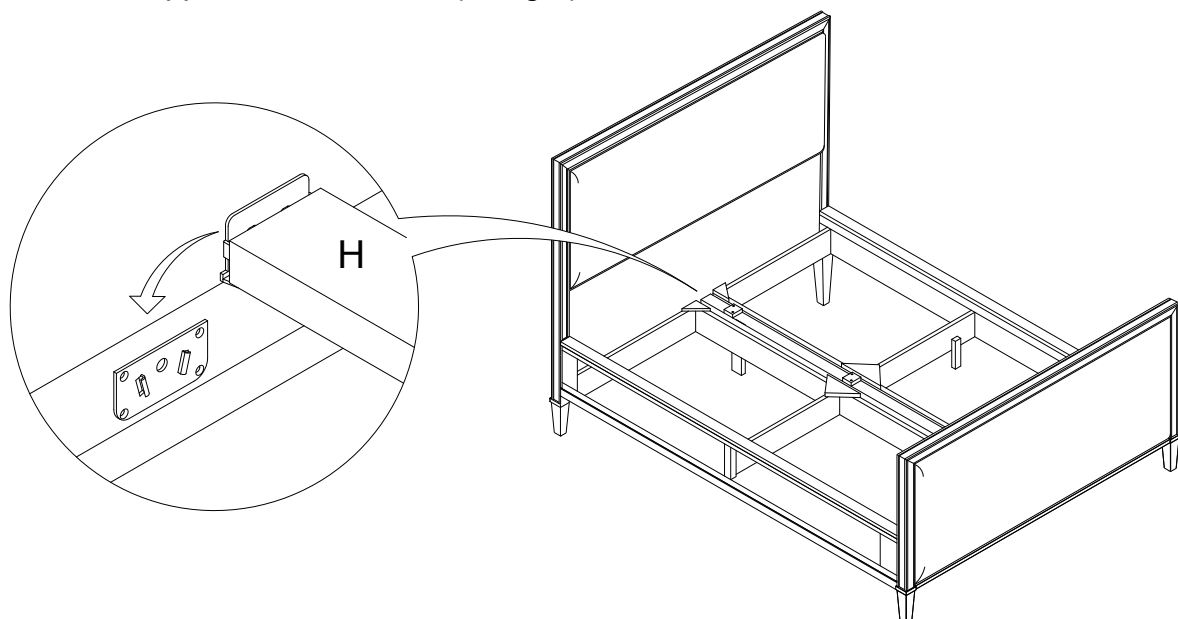
your home

- Install the cam lock with the arrow facing the bolt. Slide the Side Rail (G) into the Headboard (E) with the cam lock and Wood Support Rails (H) holders facing inward. Tighten the cam lock with the Allen Key (D) in clockwise rotation until it get tight and repeat this process on all 4 corners.



Step 4:

- Attach the Center Support Rail (H) to the Headboard (E) & Footboard (F) by locking in the hooks. Push down firmly. Adjust the levelers on the bottom of the support legs to ensure the Center Support Rail is leveled (straight).

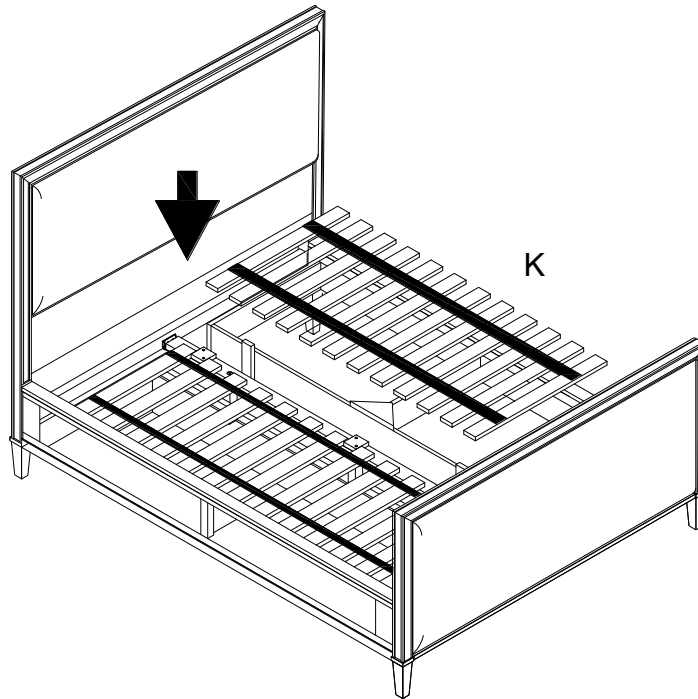


ARHAUS[®]

your home

Step 5:

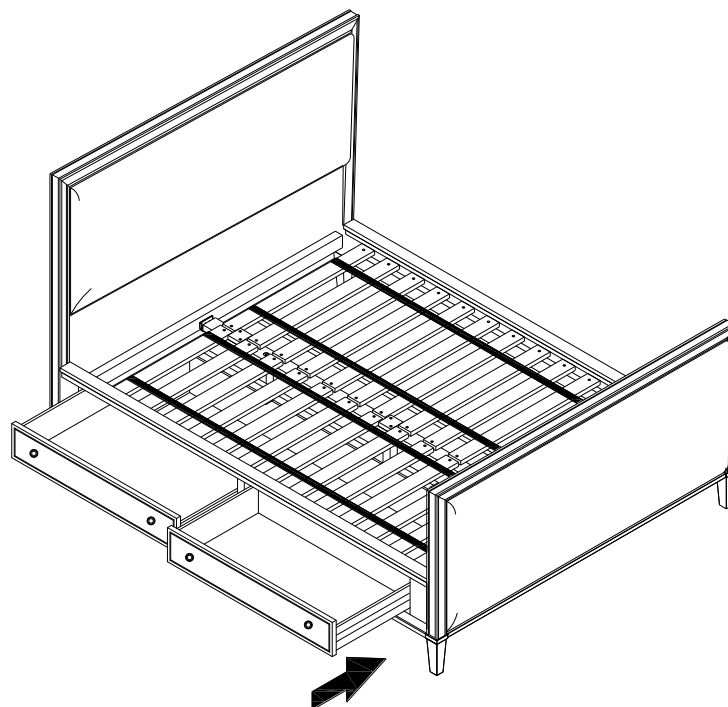
- Lay the Slat Rolls (K) on top of the Storage with strap facing up.



Step 6:

- Insert the Drawers into the Storage Side Rails.

(Assembly is complete)

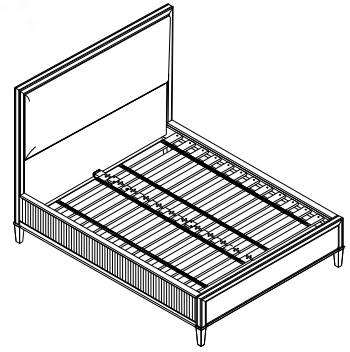



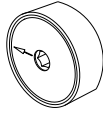

ARHAUS®

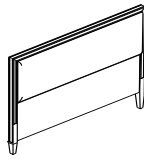
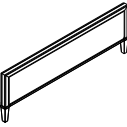
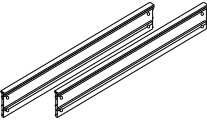
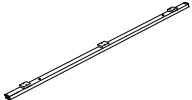

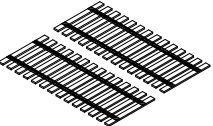
your home

ASSEMBLY INSTRUCTION

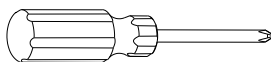
PEARSON GALLERY UPH LOW KING BED



Ltr	Qty	Hardware Included
A	8	 Bolts
B	8	 Cam Lock
C	1	 Allen Key

Ltr	Qty	Parts List
D	1	 Headboard
E	1	 Footboard
F	2	 Side Rail
G	1	 Center Support Rail
H	3	 Center Supports Leg
I	2	 Slat Rolls

Tolls Not Included:



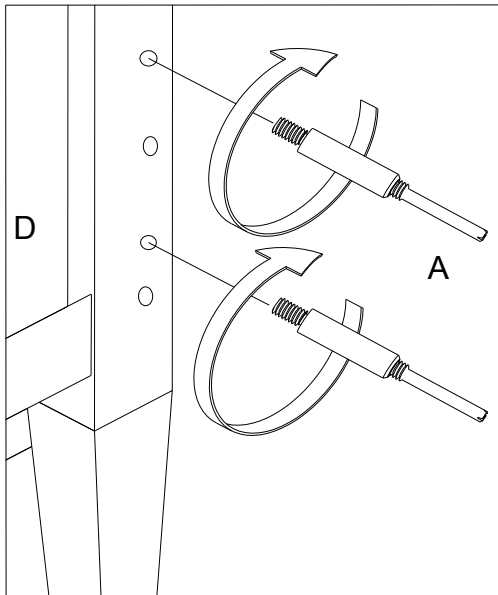
Screwdriver

ARHAUS[®]

your home

Step 1:

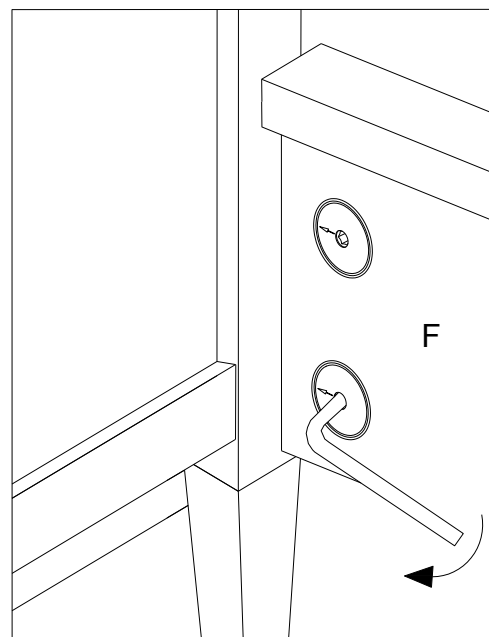
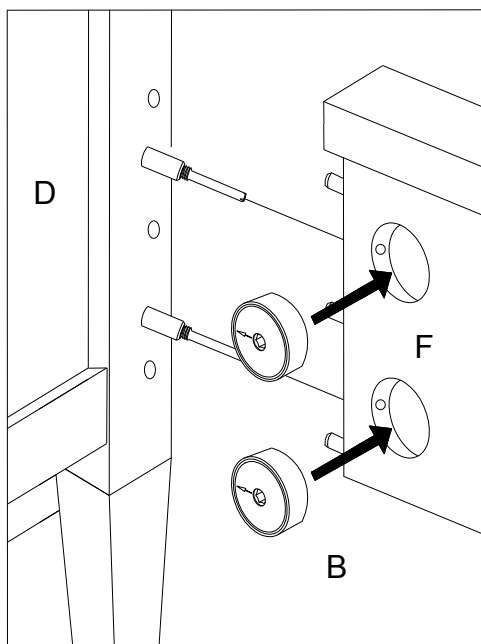
- With your hand, screw the shorter side of the Bolt (A) into the center slot on the Headboard (D) and Footboard (E) by rotating the bolt in clockwise rotation until get tight.



Smaller Side,
Screwed
Into
Headboard &
Footboard

Step 2:

- Install the cam lock with the arrow facing the bolt. Slide the Side Rail (F) into the Headboard (D) with the cam lock and Wood Support Rails (G) holders facing inward. Tighten the cam lock with the Allen Key (C) in clockwise rotation until it get tight and repeat this process on all 4 corners.

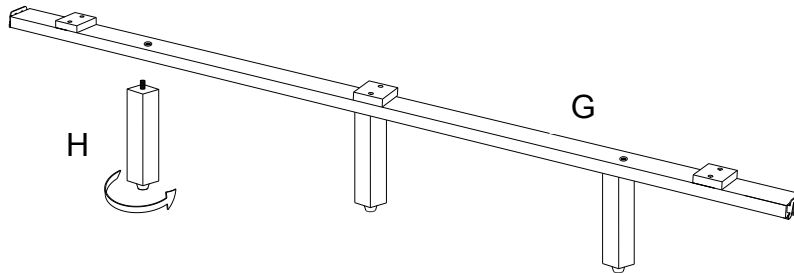


ARHAUS[®]

your home

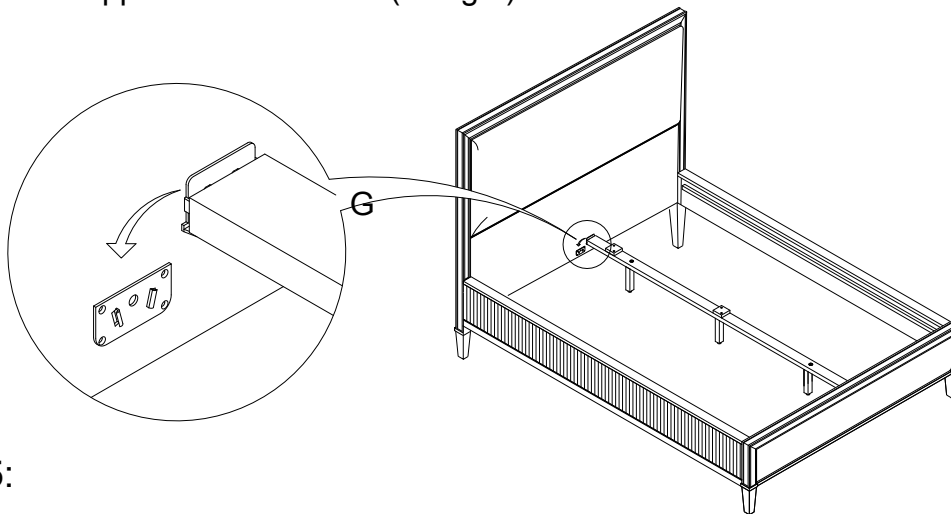
Step 3:

- Assemble Center Support Legs (H) to the Center Supports Rail (G) by turning clockwise the exposed threads on top of the legs to the insert nut on the Center Supports Rail.



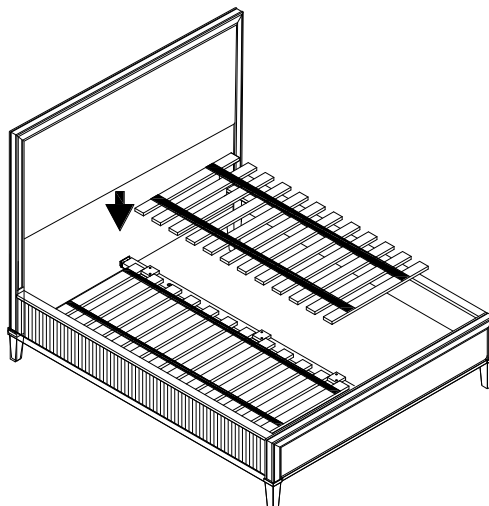
Step 4:

- Attach the Center Support Rail (G) to the Headboard (D) & Footboard (E) by locking in the hooks. Push down firmly. Adjust the levelers on the bottom of the support legs to ensure the Center Support Rail is leveled (straight).



Step 5:

- Lay the Slat Rolls (I) on top of the Supports with strap facing up.

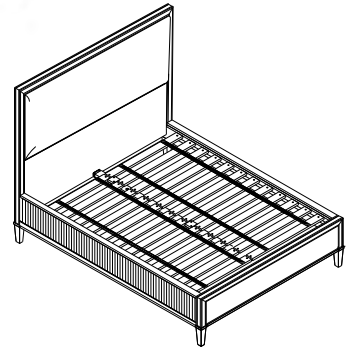



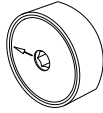

ARHAUS[®]

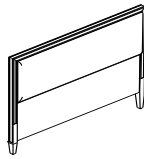
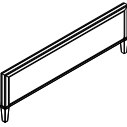
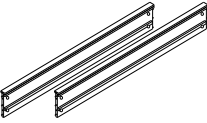
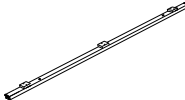

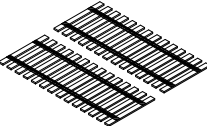
your home

ASSEMBLY INSTRUCTION

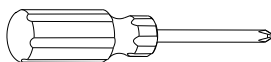
PEARSON GALLERY UPH LOW QUEEN BED



Ltr	Qty	Hardware Included
A	8	 Bolts
B	8	 Cam Lock
C	1	 Allen Key

Ltr	Qty	Parts List
D	1	 Headboard
E	1	 Footboard
F	2	 Side Rail
G	1	 Center Support Rail
H	3	 Center Supports Leg
I	2	 Slat Rolls

Tolls Not Included:



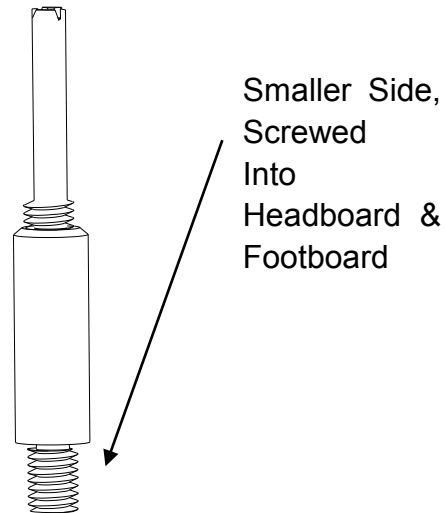
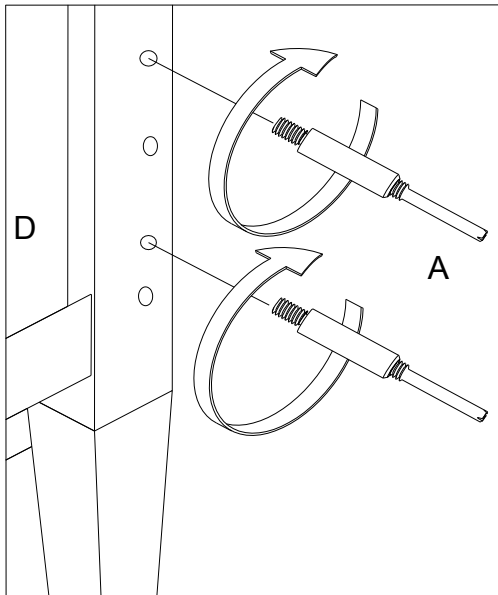
Screwdriver

ARHAUS[®]

your home

Step 1:

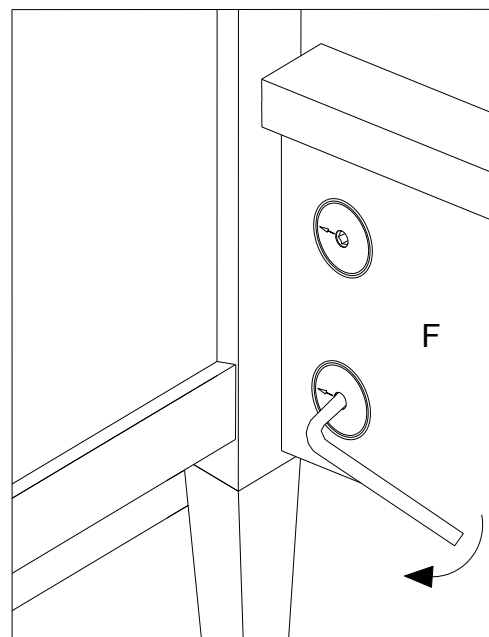
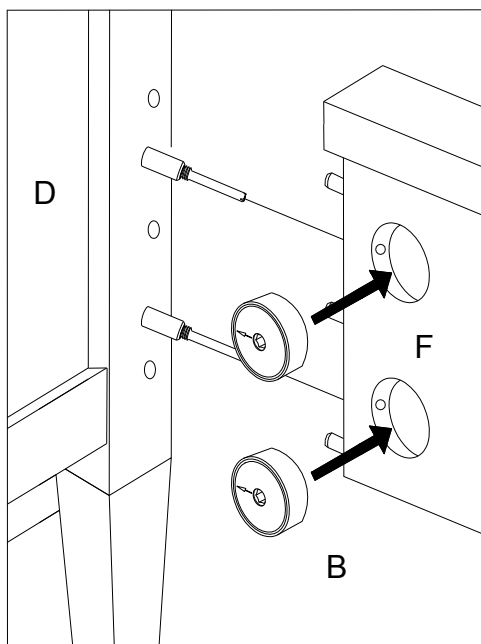
- With your hand, screw the shorter side of the Bolt (A) into the center slot on the Headboard (D) and Footboard (E) by rotating the bolt in clockwise rotation until get tight.



Smaller Side,
Screwed
Into
Headboard &
Footboard

Step 2:

- Install the cam lock with the arrow facing the bolt. Slide the Side Rail (F) into the Headboard (D) with the cam lock and Wood Support Rails (G) holders facing inward. Tighten the cam lock with the Allen Key (C) in clockwise rotation until it get tight and repeat this process on all 4 corners.

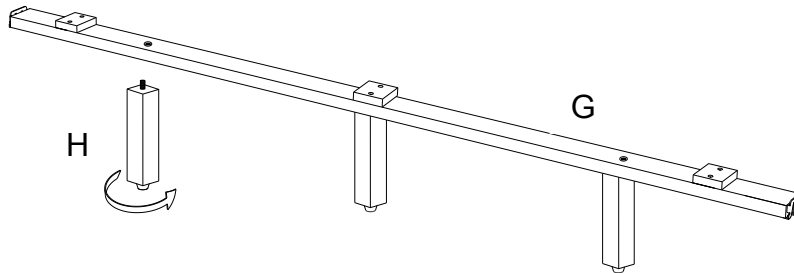


ARHAUS[®]

your home

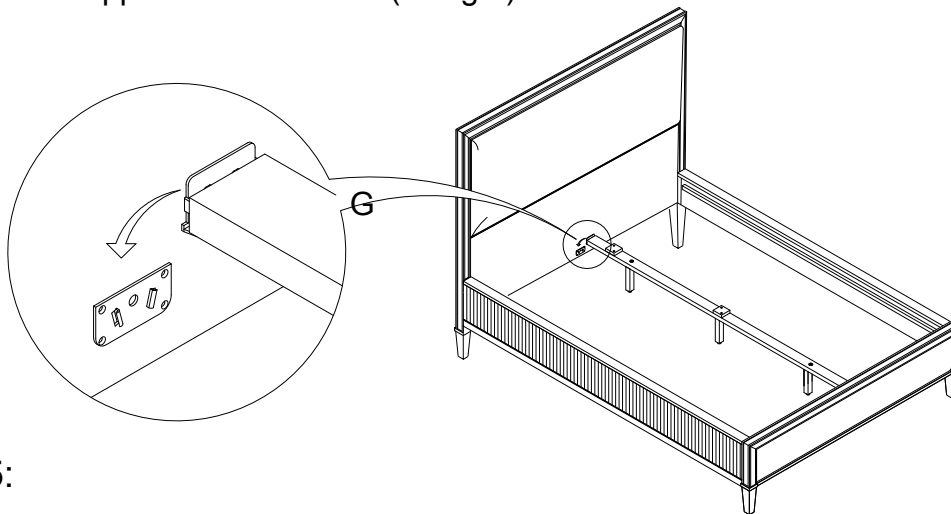
Step 3:

- Assemble Center Support Legs (H) to the Center Supports Rail (G) by turning clockwise the exposed threads on top of the legs to the insert nut on the Center Supports Rail.



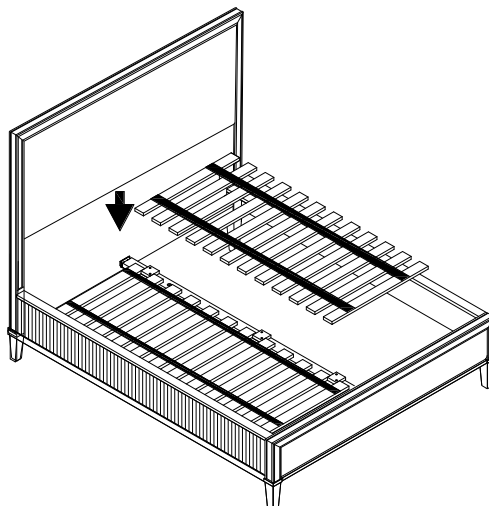
Step 4:

- Attach the Center Support Rail (G) to the Headboard (D) & Footboard (E) by locking in the hooks. Push down firmly. Adjust the levelers on the bottom of the support legs to ensure the Center Support Rail is leveled (straight).



Step 5:

- Lay the Slat Rolls (I) on top of the Supports with strap facing up.



BEDROOM PARTS SKUS

Super Category	Product ID	Description	Stat	Collection
BEDROOM	91PEAR11SCS	PEARSON 11DR CENTR SUP STRATUS 1 CENTER SUPPORT	A	PT-PEARSON
BEDROOM	91PEAR11BCS	PEARSON 11DR CENTR SUPPRT BRWN 1 CENTER SUPPORT	A	PT-PEARSON
BEDROOM	91PEAR11FCS	PEARSON 11DR CENTR SUPPRT FOG 1 CENTER SUPPORT	A	PT-PEARSON
BEDROOM	91PEAR11NCS	PEARSON 11DR CENTR SUPPRT NATU 1 CENTER SUPPORT	A	PT-PEARSON
BEDROOM	91PEARSCS	PEARSON 6DR CENTR SUPP STRATUS 1 CENTER SUPPORT	A	PT-PEARSON
BEDROOM	91PEARBCS	PEARSON 6DR CENTR SUPPORT BRWN 1 CENTER SUPPORT	A	PT-PEARSON
BEDROOM	91PEARFCS	PEARSON 6DR CENTR SUPPORT FOG 1 CENTER SUPPORT	A	PT-PEARSON
BEDROOM	91PEARNCS	PEARSON 6DR CENTR SUPPORT NATU 1 CENTER SUPPORT	A	PT-PEARSON
BEDROOM	91PEARASHW	PEARSON BED ASSEMBLY HW ALL BED STYLES	A	PT-PEARSON
BEDROOM	91PEARBEDCS	PEARSON BED CNTR SUPPORT KG/QN 1 PIECE = CENTER SUPPORT	A	PT-PEARSON
BEDROOM	91PEARLEVELBLK	PEARSON BEDROOM LEVELER BLACK 1 PIECE	A	PT-PEARSON
BEDROOM	91PEARLEVELWH	PEARSON BEDROOM LEVELER WHITE 1 PIECE	A	PT-PEARSON
BEDROOM	91PEARDRGLIDE	PEARSON CASE PC DRAWR GLID 1 = 1 PAIR OF GLIDES	A	PT-PEARSON
BEDROOM	91PEARUPHCS	PEARSON CENTR SUPPRT LEG BLACK 1 PIECE	A	PT-PEARSON
BEDROOM	91PEARLGKNOB	PEARSON LARGE KNOB - ANTIQUE BASTIAN BROWN FINISH ONLY	A	PT-PEARSON
BEDROOM	91PEARLGKNBN	PEARSON LARGE KNOB - NICKEL NATURAL, STRATUS & FOG	A	PT-PEARSON
BEDROOM	91PEARLOWKSL	PEARSON LOW BED SLATS KING 1 SET = 24 PCS SLATS	A	PT-PEARSON
BEDROOM	91PEARLOWQSL	PEARSON LOW BED SLATS QN 1 SET = 24 PCS SLATS	A	PT-PEARSON
BEDROOM	91PEARSMKNOB	PEARSON SMALL KNOB - ANTIQUE BASTIAN BROWN FINISH ONLY	A	PT-PEARSON
BEDROOM	91PEARSMKNBN	PEARSON SMALL KNOB - NICKEL NATURAL, STRATUS & FOG	A	PT-PEARSON
BEDROOM	91PEARBEDDRAWRGL D	PEARSON STG BED DRAWER GLIDES 1 PC = 1 SET	A	PT-PEARSON
BEDROOM	91PEARSTGQSL	PEARSON STG LONG SUPPRT LEG QN 1 PIECE	A	PT-PEARSON
BEDROOM	91PEARSTGKSL	PEARSON STG SHORT SUPPRT LG KG 1 PIECE	A	PT-PEARSON
BEDROOM	91PEARSGQSSL	PEARSON STG SHORT SUPPRT LG QN 1 PIECE	A	PT-PEARSON
BEDROOM	91PEARUPHKSL	PEARSON UPH BED SLATS KG 1 SET = 24 PCS SLATS	A	PT-PEARSON
BEDROOM	91PEARUPHQSL	PEARSON UPH BED SLATS QN 1 SET = 24 PCS SLATS	A	PT-PEARSON

ARHAUS®

your home

percy



1-Drawer Nightstand
20" w x 17" d x 26" h
Graphite 45PERCY1DNT
Nickel 45PERCYN1DNT



2-Drawer Nightstand
20" w x 17" d x 26" h
Graphite 45PERCY2DNT
Nickel 45PERCYN2DNT



3-Drawer Chest
36" w x 18" d x 34" h
Graphite 45PERCY3DC
Nickel 45PERCYNK3DC

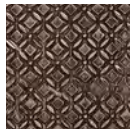


Tall Dresser
36" w x 18" d x 50.25" h
Graphite 45PERCYTD
Nickel 45PERCYNKTD



Wide 6-Drawer Dresser
63" w x 18" d x 34" h
Graphite 45PERCYW6D
Nickel 45PERCYNKW6D

Finish:



Graphite



Nickel

boldly elegant

Featuring a smaller silhouette to accommodate smaller spaces, our striking Percy Bedroom Collection's transitional style will complement and elevate your space with statement-making case pieces. Aluminum sheets are pressed with intricately patterned blocks to create the delicate detailing featured on the surfaces of this elegant bedroom collection. Each piece is completed with an antiqued metallic finish, which is caught in the pressed pattern to make it stand out, adding a touch of glamour.

product details

- ▶ Handcrafted by artisans, aluminum sheets are pressed with patterned blocks to create intricate designs on each surface.
- ▶ Graphite finishes feature an antiqued patina with bronze undertones and a soft lacquer coat for added protection.
- ▶ Nickel finishes are antiqued, allowing the metallic tones to show through, and then lacquered for added protection.
- ▶ Due to the hand-applied nature of finishes, patinas may vary slightly from piece to piece, making each individual truly unique.
- ▶ Case frames are constructed using engineered hardwood, which allows for the aluminum to gracefully adhere to the tops, sides, and drawer fronts while avoiding swelling and cracking.
- ▶ Keep your furniture looking its best. Visit arhaus.com or speak to any Arhaus Design Consultant for care recommendations.



BEDROOM PARTS SKUS

Super Category	Product ID	Description	Collection	Route
BEDROOM	91PERCYGKNOB	PERCY GRAPHITE KNOB 1 PACK = 2 KNOBS	PT-PERCY	
BEDROOM	91PERCYKNOB	PERCY KNOB - GRAPHITE FINISH KNOB FOR PERCY GRAPHITE	PT-PERCY	PART
BEDROOM	91PERCYNKNOB	PERCY NICKEL DRAWER KNOB 1 PACK = 2 KNOBS	PT-PERCY	