

# PRINSU ROOF RACK INSTALLATION GUIDE

---



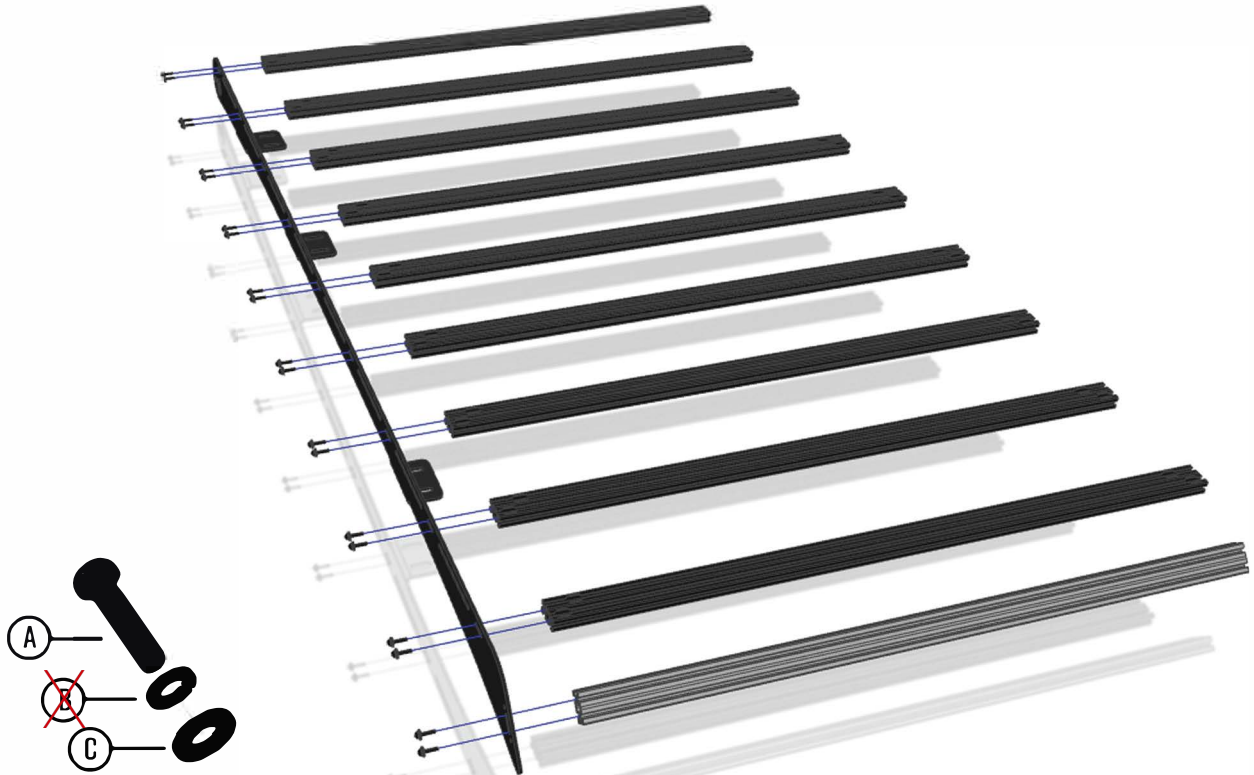
**GX 470**

---

\*\*\* WARNING: Neither the seller nor the manufacturer will be liable for any loss, damage, or injury directly or indirectly arising from the use of or inability to determine the use of these products. Before using, the user shall determine the suitability of the product(s) for its intended use(s), and the user shall assume all responsibility and risk in connection therewith.\*\*\*

# PRINSU ROOF RACK INSTALLATION GUIDE

## CROSSBAR HARDWARE DIAGRAM



**\*NOTE:** The appropriate torque for a 1/4 - 20 grade two bolt is between 37 - 43 in-lbs. Which is approximately 3 ft- lbs. The heads will shear off between 15-20 ft-lbs.  
**A** Use caution when using power tools.

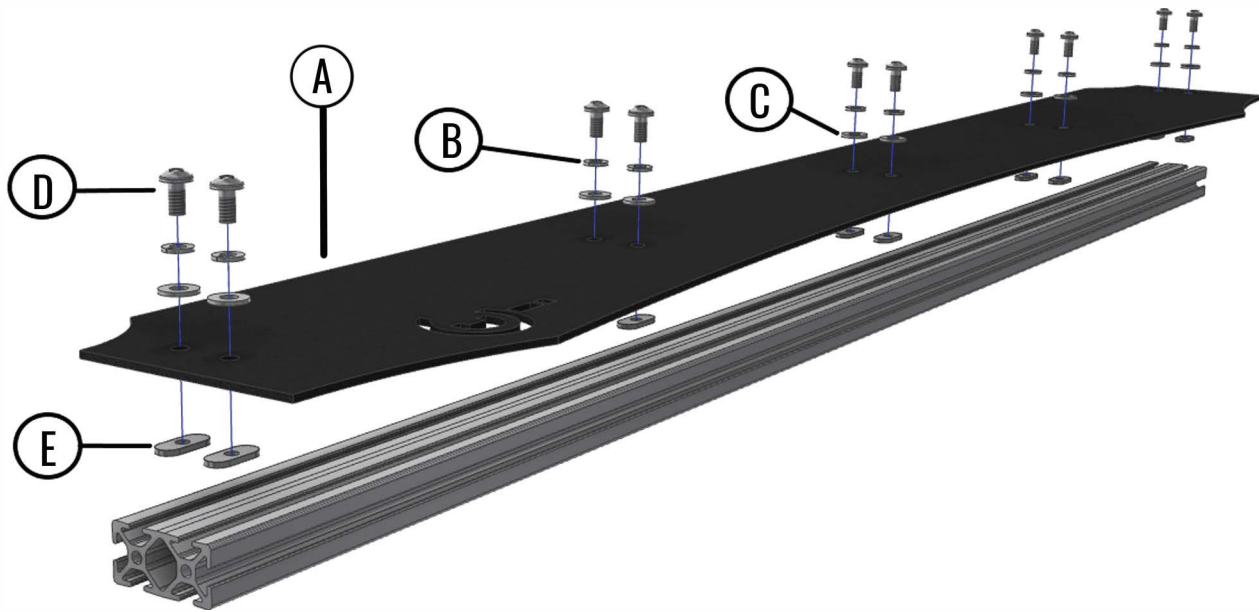
**\*NOTE:** The 1/4 Lock washers are no longer included with the hardware. Use the provided tube of thread lock instead.  
**B**

PART	Description	Quantity
A	1/4" - 20 x 1" Machine Screw	40
<del>B</del>	1/4"- Lock Washer	<del>40</del>
C	1/4" - SAE Flat Washer	40

\*\*\* WARNING: Neither the seller nor the manufacturer will be liable for any loss, damage, or injury directly or indirectly arising from the use of or inability to determine the use of these products. Before using, the user shall determine the suitability of the product(s) for its intended use(s), and the user shall assume all responsibility and risk in connection therewith.\*\*\*

# PRINSU ROOF RACK INSTALLATION GUIDE

## WIND DEFLECTOR HARDWARE DIAGRAM

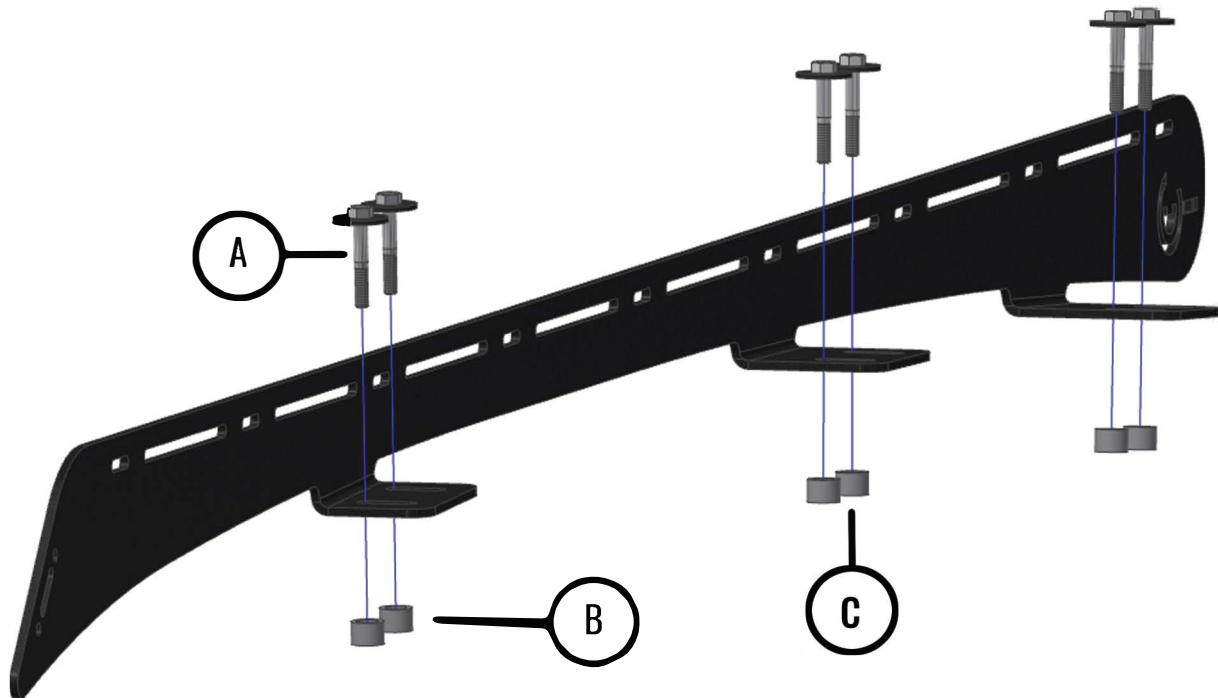


PART	SIZE	QUANTITY
A	WIND DEFLECTOR	1
B	LOCK WASHER 1/4"	10
C	SAE FLAT WASHER 1/4"	10
D	PAN HEAD SCREW 1/4" - 20 x 1/2"	10
E	1/4" - 20, 10 SERIES T-NUT	10

\*\*\* WARNING: Neither the seller nor the manufacturer will be liable for any loss, damage, or injury directly or indirectly arising from the use of or inability to determine the use of these products. Before using, the user shall determine the suitability of the product(s) for its intended use(s), and the user shall assume all responsibility and risk in connection therewith.\*\*\*

# PRINSU ROOF RACK INSTALLATION GUIDE

## MOUNTING HARDWARE DIAGRAM



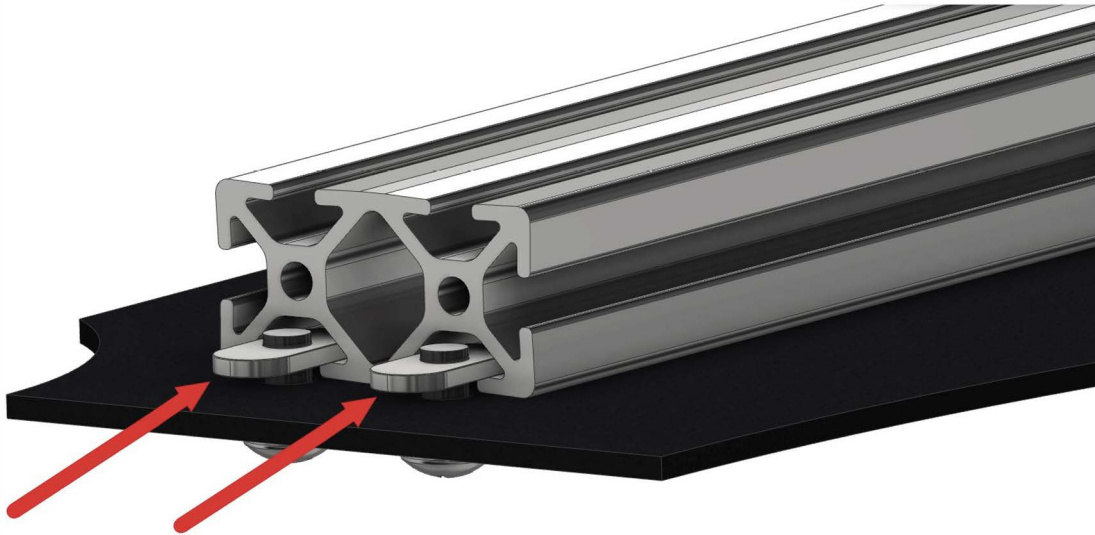
PART	DESCRIPTION	QUANTITY
A	STOCK ROOF RAIL BOLTS	12
B	1" - ALUMINUM SPACER	4
C	7/8" - ALUMINUM SPACER	8

\*\*\* WARNING: Neither the seller nor the manufacturer will be liable for any loss, damage, or injury directly or indirectly arising from the use of or inability to determine the use of these products. Before using, the user shall determine the suitability of the product(s) for its intended use(s), and the user shall assume all responsibility and risk in connection therewith.\*\*\*

# PRINSU ROOF RACK INSTALLATION GUIDE

---

## WIND DEFLECTOR ATTACHMENT



### STEPS

1. Install the wind deflector hardware as shown in the diagram on page 3. Thread the screws just barely into the T-Nuts to begin with.
2. Lay the wind deflector on a flat surface in the orientation shown above.
3. From one end start sliding the extrusion bar so that the T-Nuts feed into the channel.
4. Once everything is lined up properly they will slide right together.
5. Now with all the T-Nuts fed into the channel and the extrusion bar and wind deflector lined up flush at both ends, turn the assembly over and tighten the screws until the lock washers are fully compressed.
6. The wind deflector assembly can now be bolted to the roof rack.

---

\*\*\* WARNING: Neither the seller nor the manufacturer will be liable for any loss, damage, or injury directly or indirectly arising from the use of or inability to determine the use of these products. Before using, the user shall determine the suitability of the product(s) for its intended use(s), and the user shall assume all responsibility and risk in connection therewith.\*\*\*

# PRINSU ROOF RACK INSTALLATION GUIDE

## STOCK ROOF RAIL REMOVAL INSTRUCTIONS

**\*If you do not feel comfortable with the process outlined in this manual please seek professional installation assistance**

**\*Please read all instruction prior to beginning installation. Various steps may relate directly to previous or future parts of the installation process. Prinsu Design Studio is not liable for damages caused to your vehicle during the installation process**



\*\*\* WARNING: Neither the seller nor the manufacturer will be liable for any loss, damage, or injury directly or indirectly arising from the use of or inability to determine the use of these products. Before using, the user shall determine the suitability of the product(s) for its intended use(s), and the user shall assume all responsibility and risk in connection therewith.\*\*\*



## PRINSU ROOF RACK INSTALLATION GUIDE

---

The preparation steps are now complete and your vehicle is ready for the Prinsu roof rack to be bolted down! Follow the diagrams on pages 1 - 5 to assemble your roof rack.



### IMPORTANT

As a precaution we recommend double checking all fasteners for tightness before driving and checking the connections again after your first drive, then periodically there after to insure the secure function of the roof rack

---

\*\*\* WARNING: Neither the seller nor the manufacturer will be liable for any loss, damage, or injury directly or indirectly arising from the use of or inability to determine the use of these products. Before using, the user shall determine the suitability of the product(s) for its intended use(s), and the user shall assume all responsibility and risk in connection therewith.\*\*\*

# PRINSU ROOF RACK INSTALLATION GUIDE

---

## WARRANTY

PRINSU DESIGN STUDIO will warranty all PRINSU DESIGN STUDIO manufactured parts for a LIFETIME of use. This limited Lifetime Warranty is effective for as long as the original retail purchaser owns the product. This warranty terminates when the original retail purchaser sells or otherwise transfers the product to any other person. Each manufactured product must be installed following PRINSU DESIGN STUDIO'S recommended fitment and installation procedures. Any customization or modification to the original product design, functionality, or use, either by said customer or by PRINSU DESIGN STUDIO voids all warranty eligibility. It is the sole discretion of CBI Offroad to determine warranty eligibility. Subject to the limitations and exclusions described in this warranty, PRINSU DESIGN STUDIO will remedy defects in materials or workmanship by repairing or replacing, at its option, a defective product without charge for parts. In addition, PRINSU DESIGN STUDIO may elect, at its option, not to repair or replace a defective product but rather issue to a purchaser a refund equal to the purchase price paid for the product or a credit to be used toward the purchase of a new PRINSU DESIGN STUDIO product. No warranty is given for defects caused by normal wear and tear, cosmetic rust, scratches, accidents, unlawful vehicle operation, products used for racing or competition, or modification of, or any types of repair of, a PRINSU DESIGN STUDIO manufactured product. The PRINSU DESIGN STUDIO Warranty does not include the powder coated finish. No warranty is given for defects resulting from conditions beyond PRINSU DESIGN STUDIO'S control including, but not limited to, misuse, neglect, overloading, improperly maintained or failure to assemble, mount or use the product in accordance with PRINSU DESIGN STUDIO'S written instructions or guidelines included with the product or implied use made available to the purchaser.

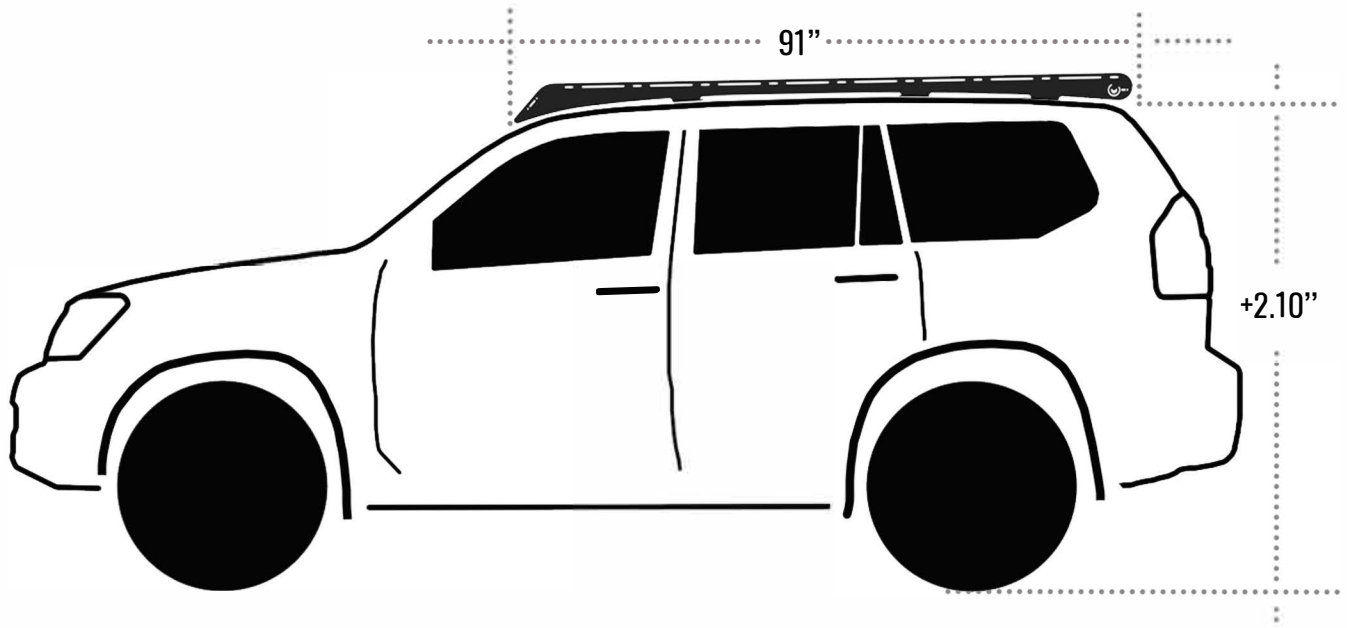
**DISCLAIMER OF LIABILITY REPAIR OR REPLACEMENT OF A DEFECTIVE PRODUCT OR THE ISSUANCE OF A REFUND OR CREDIT (AS DETERMINED BY PRINSU DESIGN STUDIO) IS A PURCHASER'S EXCLUSIVE REMEDY UNDER THIS WARRANTY. DAMAGE TO A PURCHASER'S VEHICLE, CARGO AND/OR TO ANY OTHER PERSON OR PROPERTY IS EXCLUDED. THIS WARRANTY IS EXPRESSLY MADE IN LIEU OF ANY AND ALL OTHER WARRANTIES, EXPRESS OR IMPLIED, INCLUDING THE WARRANTIES OF MERCHANTABILITY AND FITNESS FOR A PARTICULAR PURPOSE. PRINSU DESIGN STUDIO'S SOLE LIABILITY TO ANY PURCHASER IS LIMITED TO THE REMEDY SET FORTH ABOVE. IN NO EVENT WILL PRINSU DESIGN STUDIO BE LIABLE FOR ANY LOST PROFITS, LOST SALES, OR FOR ANY CONSEQUENTIAL, DIRECT, INDIRECT, INCIDENTAL, SPECIAL, EXEMPLARY, OR PUNITIVE DAMAGES OR FOR ANY OTHER DAMAGES OF ANY KIND OR NATURE**

---

\*\*\* WARNING: Neither the seller nor the manufacturer will be liable for any loss, damage, or injury directly or indirectly arising from the use of or inability to determine the use of these products. Before using, the user shall determine the suitability of the product(s) for its intended use(s), and the user shall assume all responsibility and risk in connection therewith.\*\*\*



## LEXUS GX 470 ROOF RACK SPECIFICATIONS



FEATURE	MEASUREMENT
OVERALL LENGTH	91"
SIDE RAIL HEIGHT*	2.25"
HEIGHT ADDED **	2.10"
SUNROOF FUNCTIONAL	YES
WEIGHT	~55 lbs
CROSS BARS - BLACK - (1X2)	(9) 47"
CROSS BARS - CLEAR - (1X2)	(1) 47"

\*AS MEASURED AT THE CENTER OF THE SIDE RAIL

\*\*AS MEASURED FROM THE CENTER POINT OF THE ROOF