

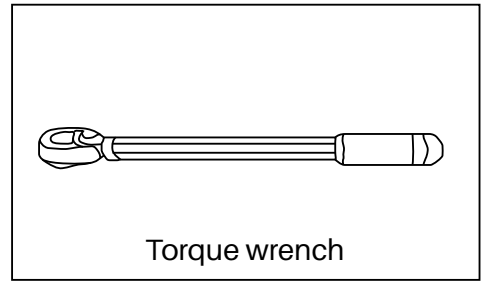
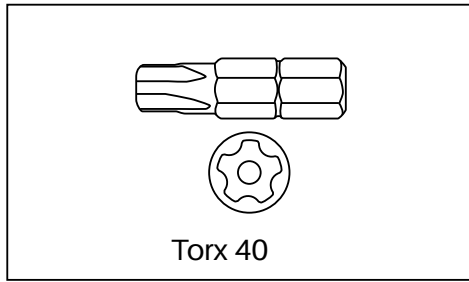
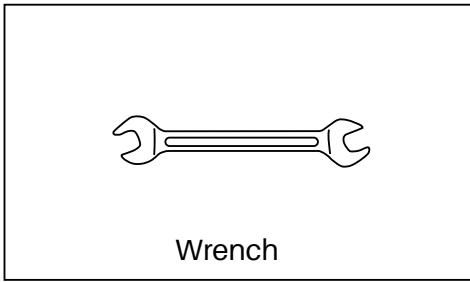


# **INSTRUCTION MANUAL**

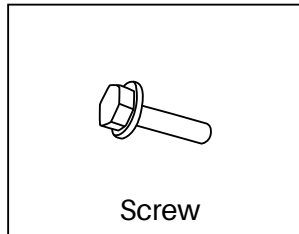
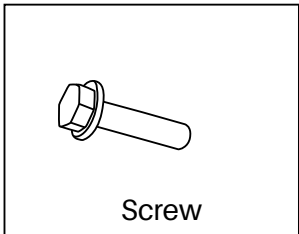
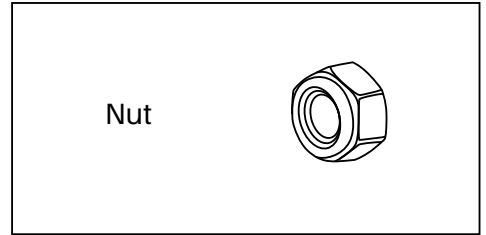
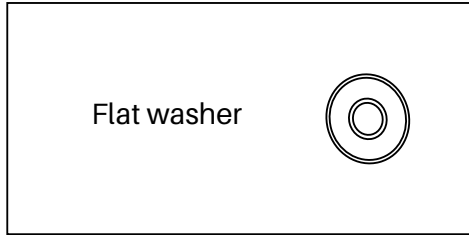
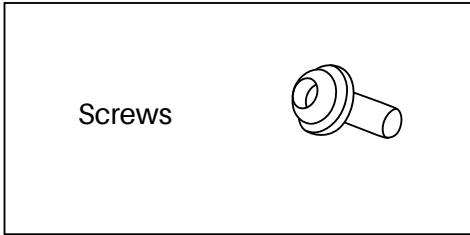
**Shiprock Height Adjustable Bed Rack**



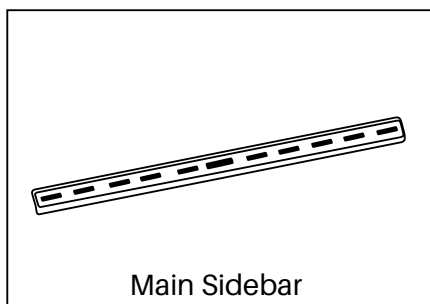
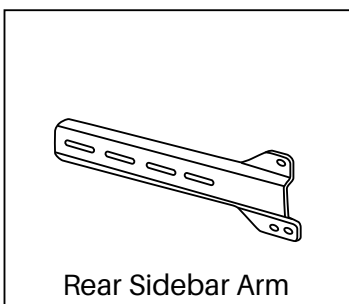
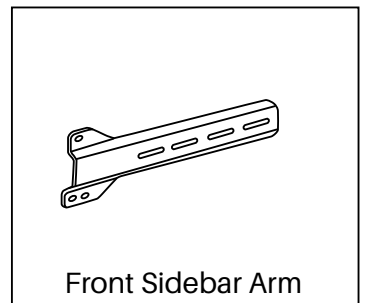
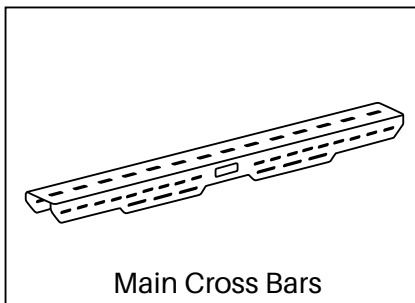
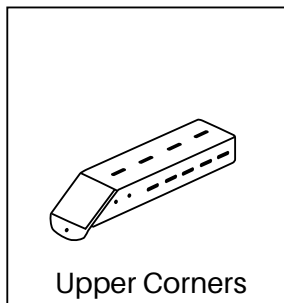
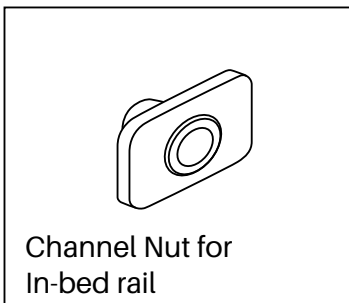
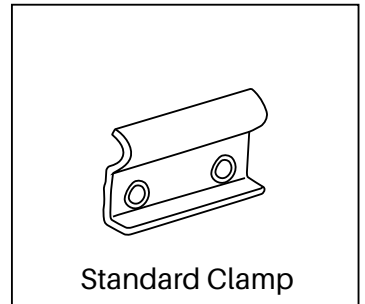
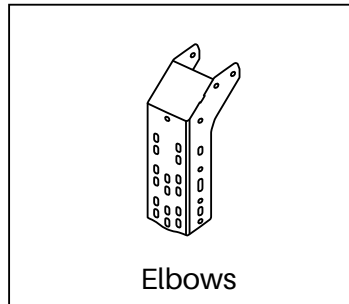
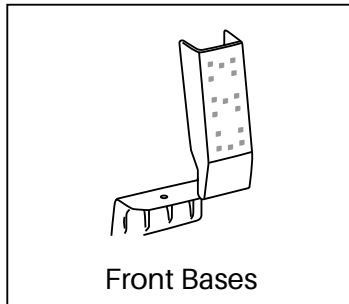
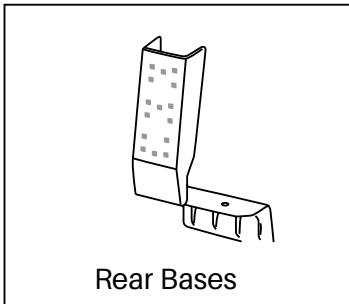
# Tools needed



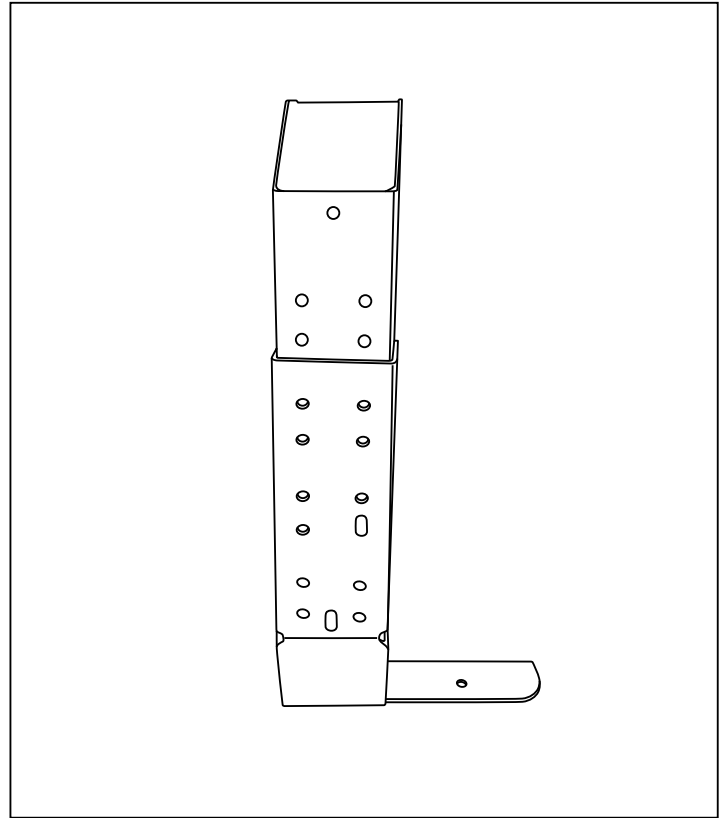
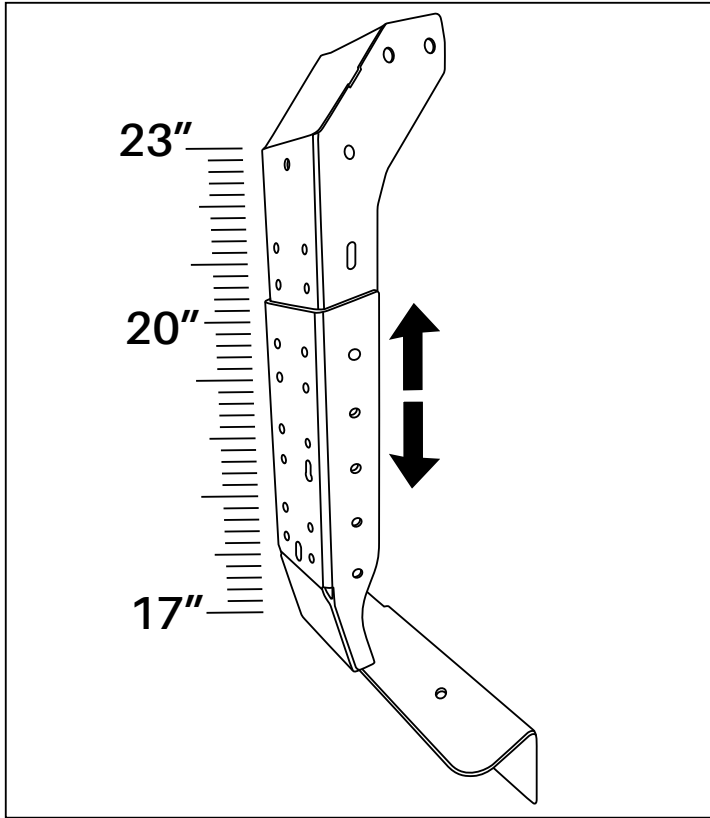
# Hardware:



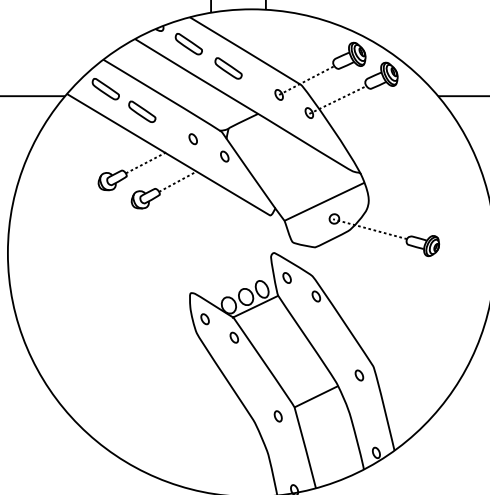
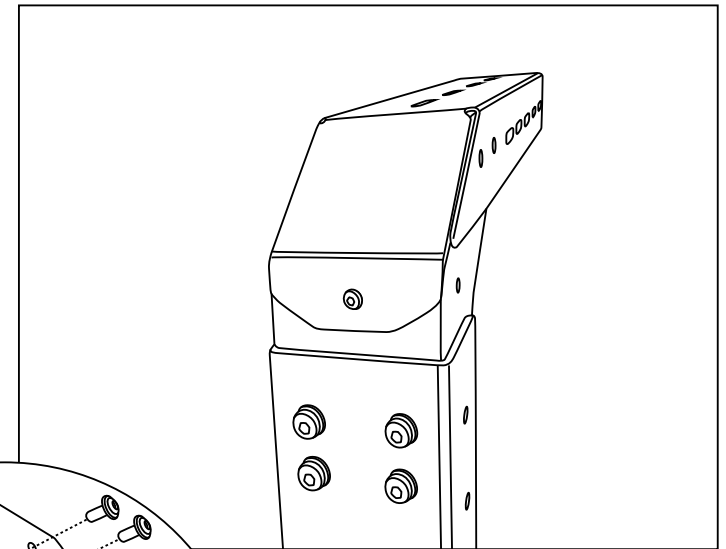
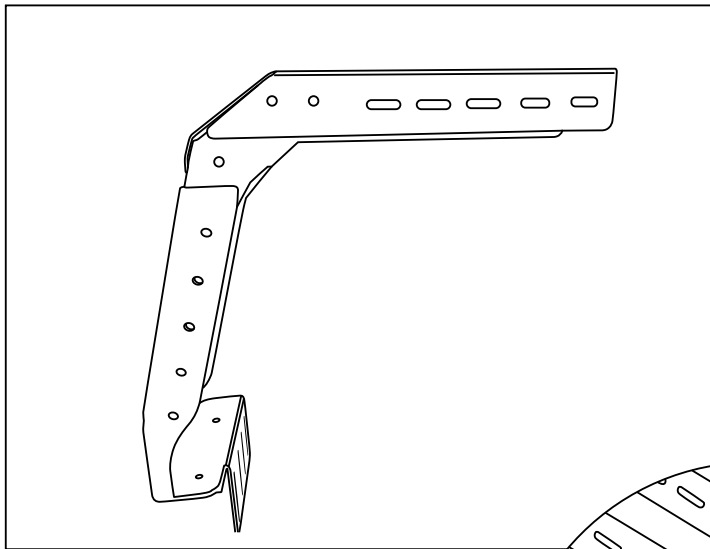
# Contents:



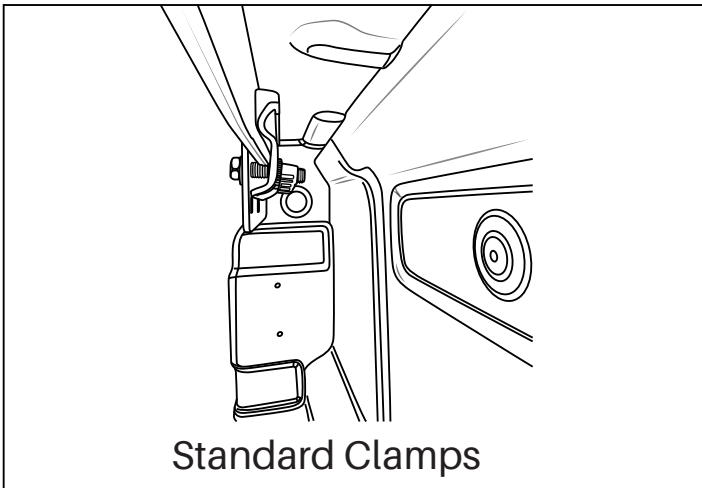
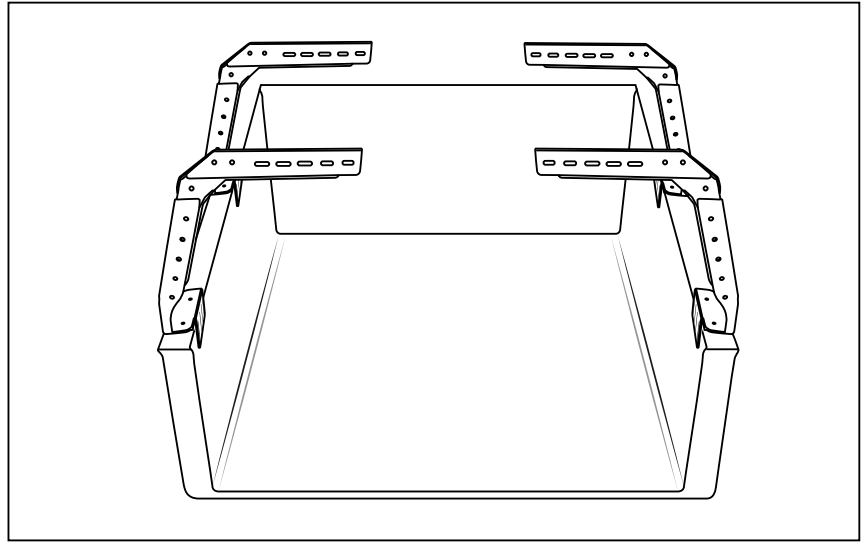
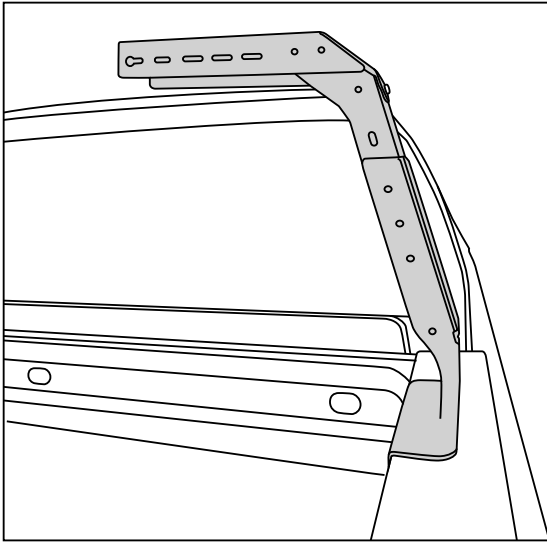
**Step 1:** Assemble front and rear bases and elbows choosing your preferred height setting



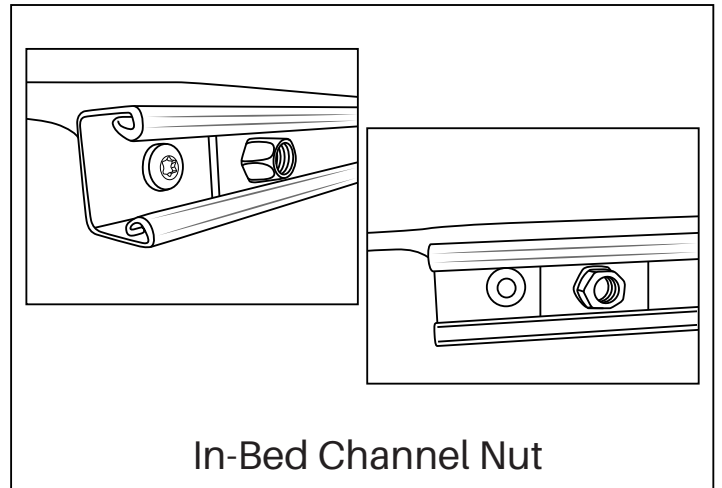
**Step 2:** Connect the upper corners to each of the four mounting arms assembled on step 1.



**Step 3:** Place your front and rear mounting arms assembled on step 2 on the bed of your truck at your desired length and attach them to your truck with the standard mounting clamps or in-bed channel nuts to keep them in place.

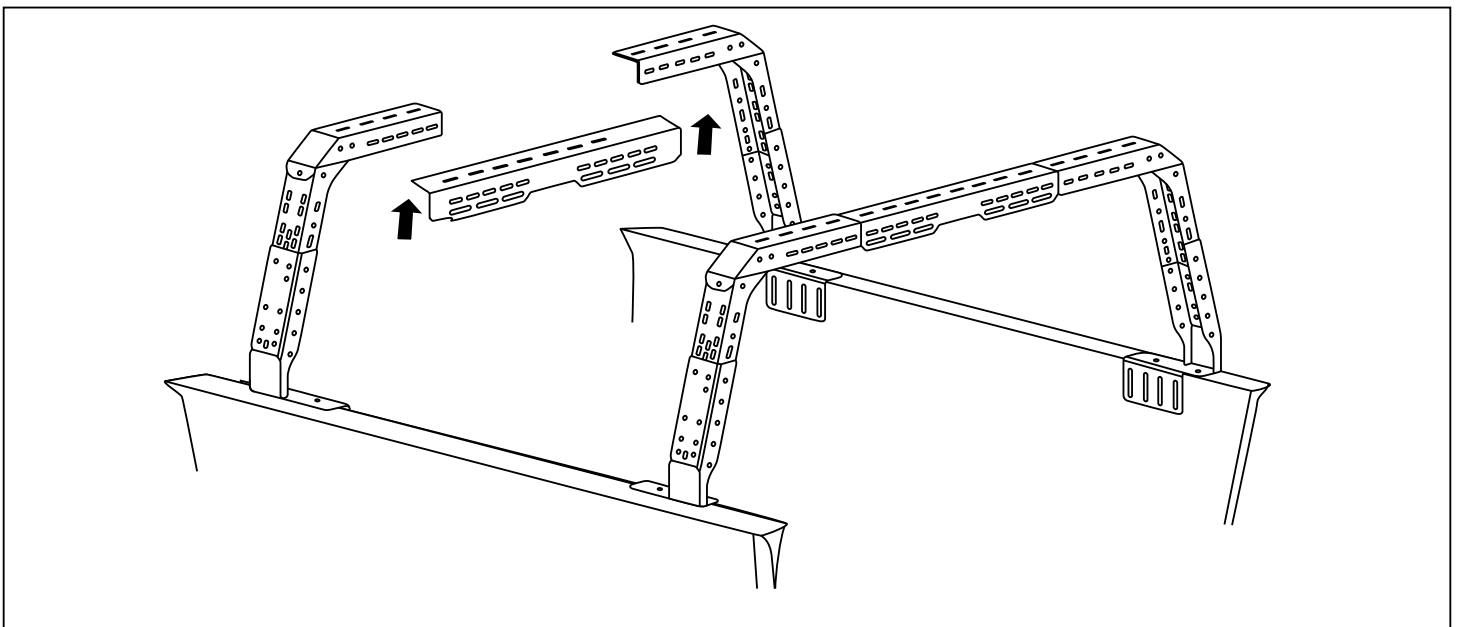


Standard Clamps

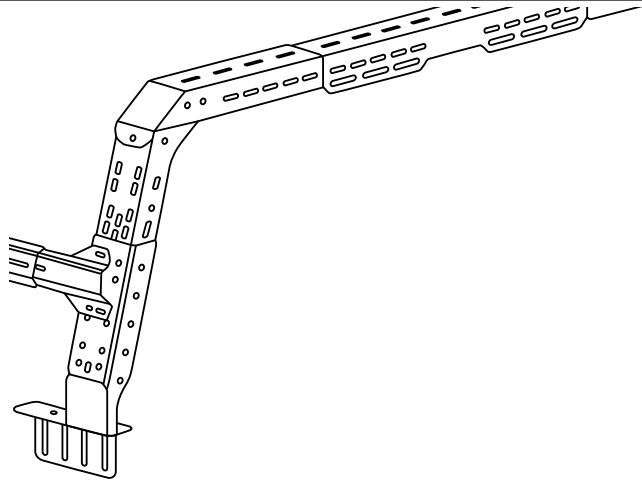


In-Bed Channel Nut

**Step 3:** Place and attach front and rear main cross bars, make sure they are aligned and centered.



**Step 4:** Place the front and rear sidebar arms at your desired height.  
(Do one side at the time)



**Step 5:** Connect main sidebar to front and rear sidebar arms on each side.  
(Do one side at the time)

