



**CANADIAN SPA CO.**

# **READ ME FIRST**

**NA 60Hz 120V/240V**  
ELECTRICAL INSTALLATION



# Customer Quick Start Guide

## Register Warranty

**Warranty Registration Form**  
Please fill out your details below and click Register Warranty

Name:

Email:

Phone Number:

Address:

Product Model:

Date Purchased:

Dealer Number:

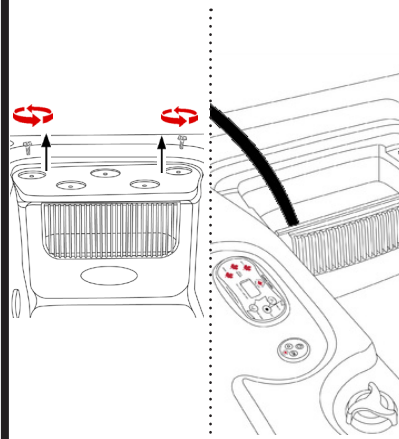
Make sure to register your warranty at [canadianspacompany.com/warranty](http://canadianspacompany.com/warranty)

## Electrical



We suggest you hire a licensed electrician to install any electrical work needed to operate your spa

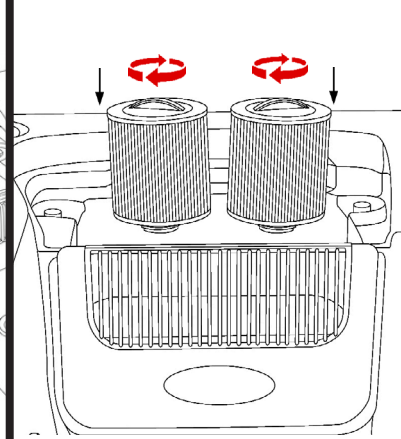
## Fill Hot Tub



Remove screws and fill the hot tub with water through the filter housing

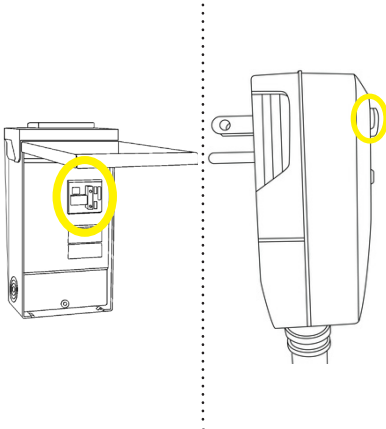
Please note: filling your hot tub in freezing temperatures will void your warranty. For more information or any questions please call us

## Insert Filters



Once the hot tub is filled, install your new Glacier Antimicrobial Filters

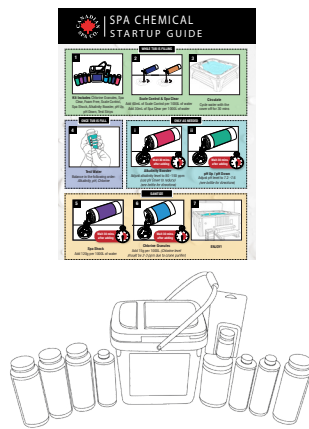
## Power On



Plug in your GFCI or turn on your breaker to start your hot tub

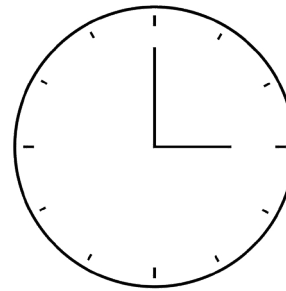
\* See back for 240V connection instructions

## Add Chemicals



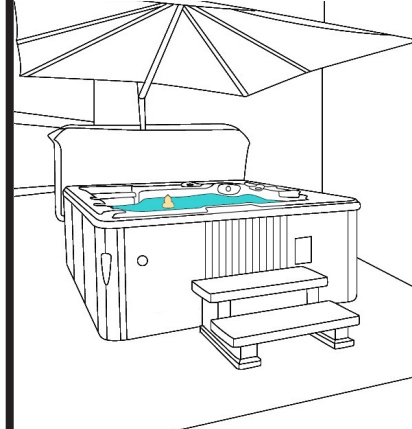
Follow our Spa Chemical Startup Guide to balance your water

## Wait for Water to Heat



The water will take 4-6 hours for 240V and 24-48 hours for 120V to reach full temperature

## Enjoy



Sit back and relax in your brand new spa!





# GFCI Troubleshooting

Keep in mind that the majority of 240V GFCI tripping problems can be attributed to incorrect wiring. GFCI troubleshooting usually finds the problem.

**REFER TO DIAGRAMS ON NEXT PAGE**

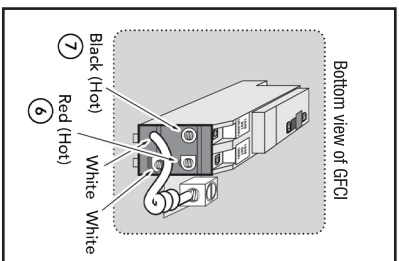
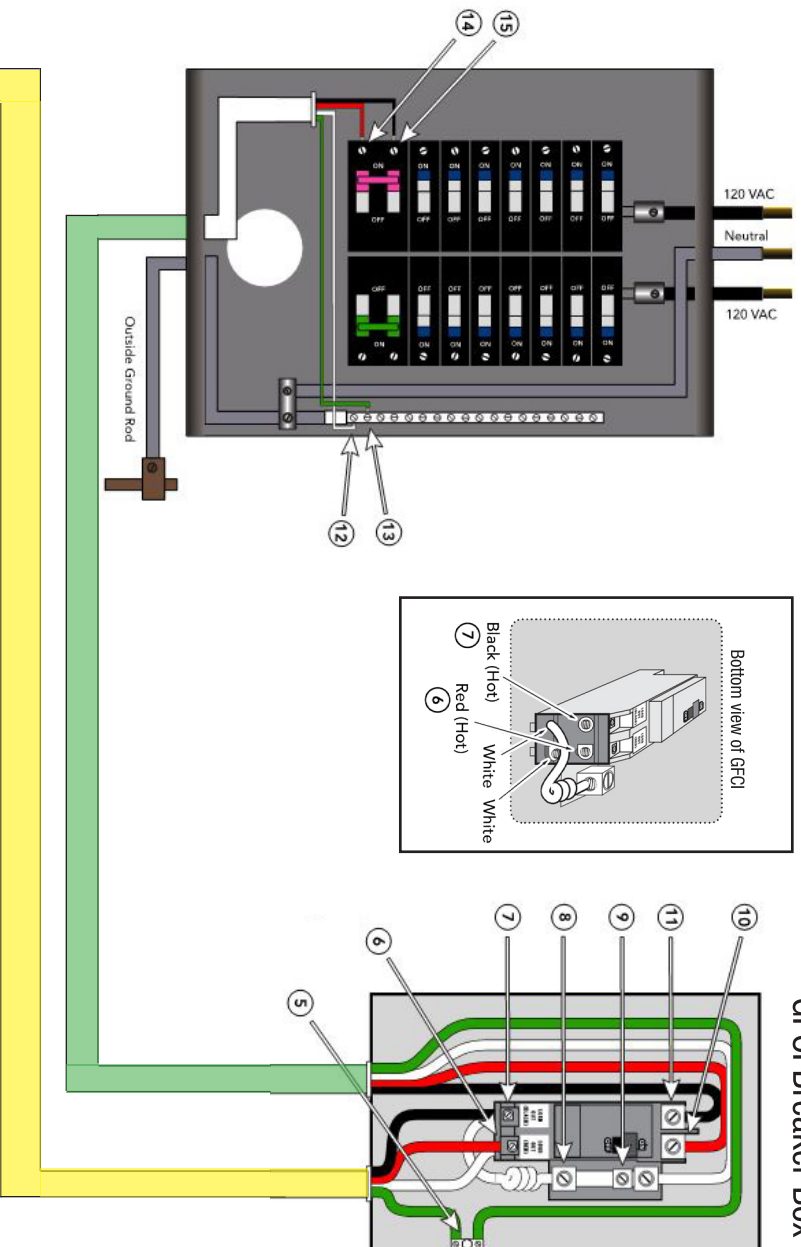
## IF CORRECT WIRING IS VERIFIED

- **IMPORTANT: All electrical installation work must be performed by a qualified electrician and must conform to local codes**
- Check to see if the proper sized GFCI is installed. (Refer to spa manual)
- Be sure the GFCI is rated for more amperage than the system will draw.
- For a 240V system, the GFCI must include a load neutral out.
- **NOTE: If the white load neutral wire is routed from the GFCI neutral bar directly to TB1 in the system box, then the GFCI will trip when a 120V device is activated. This is the most common reason if your hot tub is tripping immediately.**
- If the wiring is correct and the GFCI will not reset, then unplug the heater and try to reset the GFCI.
- If the GFCI trips again, then unplug the pump and reset the GFCI. If the GFCI continues to trip, then do the same procedure for the ozone generator.
- If the GFCI stops tripping after you unplugged one of the spa's components, turn off the power to the spa then plug in each component except the one that tripped the GFCI.
- Power up the system. If the GFCI no longer trips, then you have correctly identified the problem.
- Repair or replace the component as instructed by the spa manufacturer.
- If everything looks to be in perfect working order, then the GFCI may be defective.

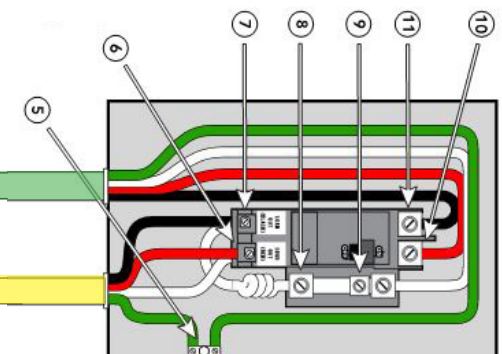
**WARNING: THE OWNER SHOULD TEST AND RESET THE GFCI ON A REGULAR BASIS TO VERIFY ITS FUNCTION.**



## House Breaker Box

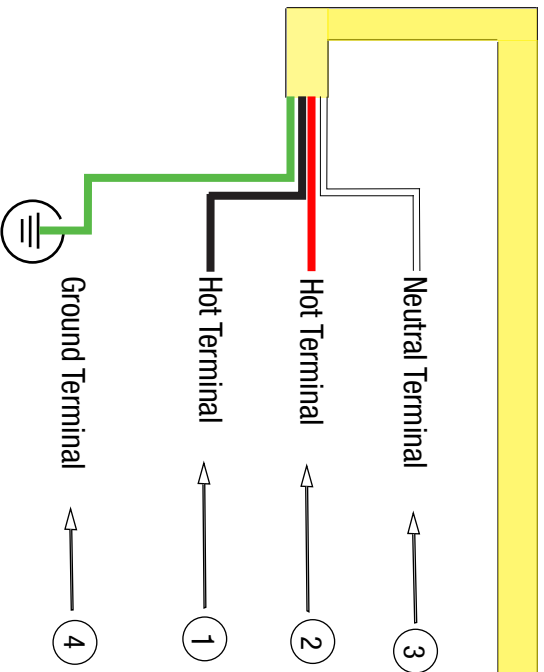


## GFCI Breaker Box



Correct Voltage	When Probes Are Placed Across		
0v	[3 - 4] [5 - 8] [5 - 9]	[12 - 13]	
108V - 132V	[1 - 3] [5 - 6] [5 - 10]	[12 - 14]	[13 - 14]
	[2 - 3] [5 - 7] [5 - 11]	[12 - 15]	[13 - 15]
216V - 264V	[1 - 2] [6 - 7] [10 - 11]	[14 - 15]	

# 240V GFCI Electrical Installation



## Control Pack

