

NEED A SHIELD FROM DISTRACTION?

Build yourself a Fort.

Whether we are navigating the fast-paced environment of the modern office, or the unexpected challenges of working from home, if we want to get work done, we need a little space that's all our own.

Meet the Fort, a mobile, freestanding divider for desks and other work surfaces. It's great in open-plan offices, helping to create personal space and alleviate distraction and equally useful in your impromptu home office, carving out a distraction-free zone at the kitchen table.

KEY FEATURES



Acoustic
Dampening



No Holes
Needed



Stores
Hanging

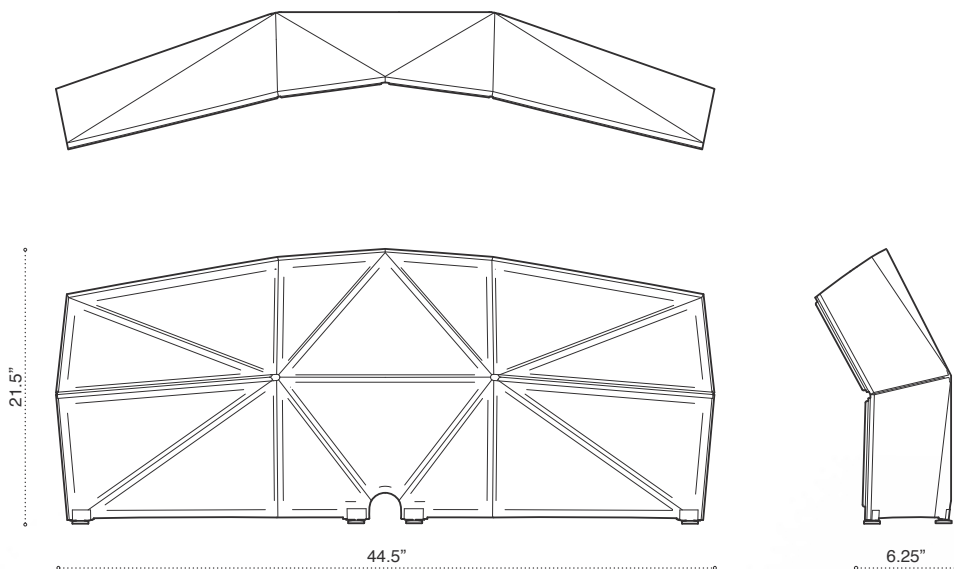




NEED A SHIELD FROM DISTRACTION?

The Fort's free-standing design makes it a great fit with open benching and communal tables; it can be moved easily from place to place to accommodate changing needs and users, and stores flat when not in use. It can also be attached to a surface without difficulty, making it compatible with both fixed and adjustable height desks as a semi-permanent acoustic screen. When you find yourself in need of a little space to focus, get behind a Fort, and build yourself a place of peaceful productivity.

SPECIFICATIONS



MATERIAL OPTIONS



Acoustic
Felt



Charcoal



Heathered
Grey

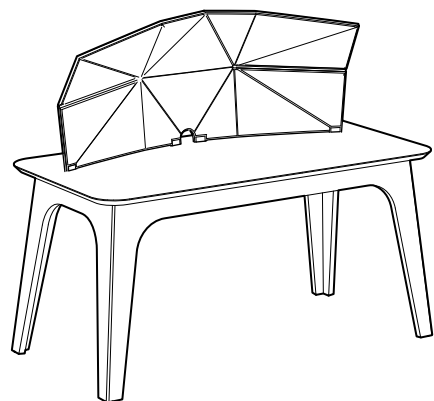
INQUIRES

You can pick up a Fort direct from our site, or you can find them at select dealers in the US. If you'd like to locate a dealer, become a part of our dealer network, or just get some more information, feel free to contact us at lets.talk@second-space.co.

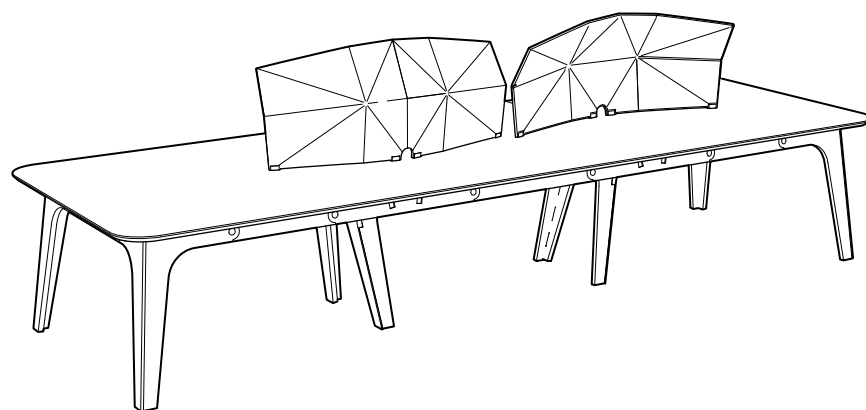


*Shown in Heathered Grey

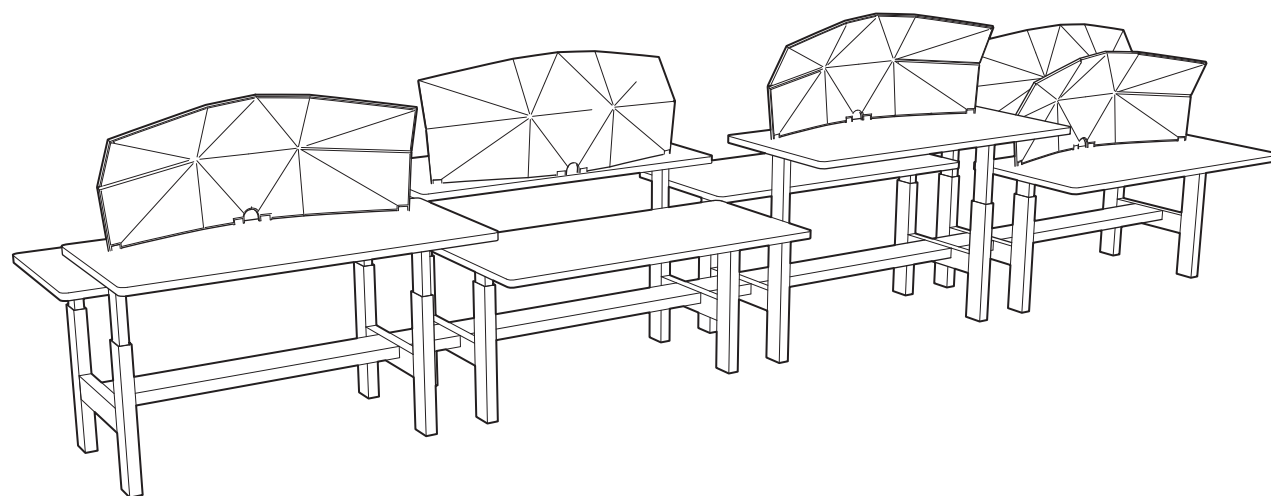
EXAMPLE CONFIGURATIONS



INDIVIDUAL DESK



COMMUNAL TABLE



BENCHING (FIXED)