



Adaptive Storage Wall

WALL MOUNTED INSTRUCTIONS



BEFORE YOU BEGIN

- Read our Structural Requirements to ensure your wall is compatible with product installation.
- Obtain wall mounting hardware. This hardware must be suitable to your particular wall material and condition, and is not included with the product. See Structural Requirements for additional information.
- Remove all parts from packaging, including Cleats/Ledgers and hardware.

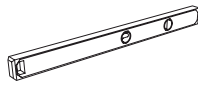
TOOLS NEEDED



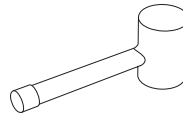
Pencil



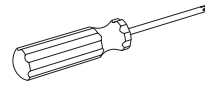
Tape Measure



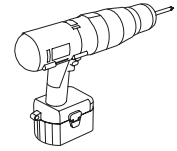
Bubble Level



Mallet

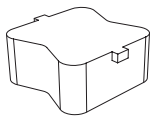
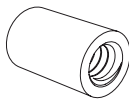
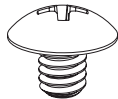
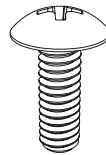
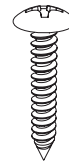
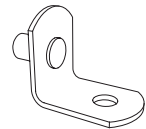


Phillips Driver (x2)



Power Driver

INCLUDED HARDWARE

**A** Butterfly**B** Aluminum Spacer**C** 5/16" Screw**D** 3/4" Screw**E** 1" Wood Screw**F** Shelf Pin

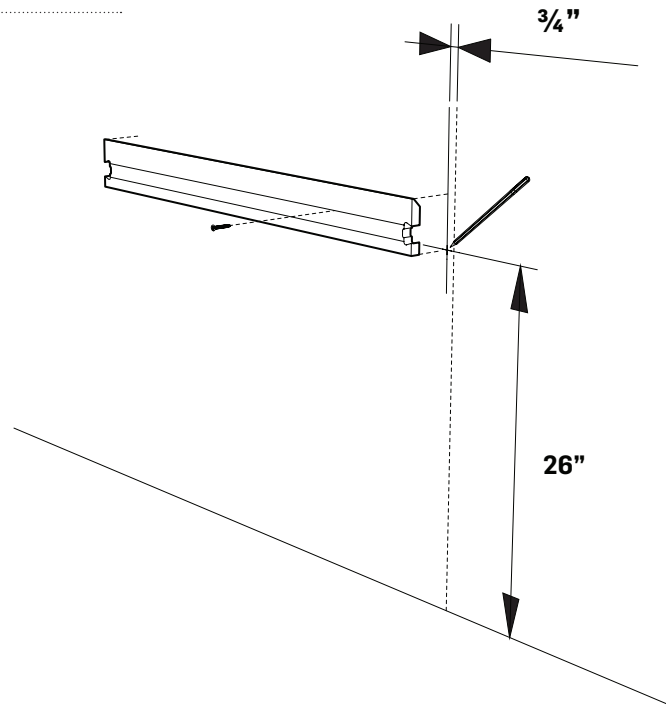


FIRST TIER - CLEAT INSTALLATION

01 / 04

Determine the desired edge of your finished wall storage installation (Left or right edge may be used; right is shown in these instructions). Mark the wall $\frac{3}{4}$ " INSIDE the desired edge and make an intersecting mark **26"** from the floor.

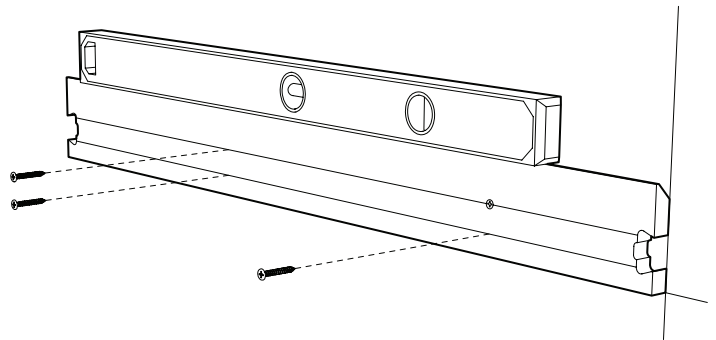
Place the first Cleat on the wall aligning the bottom corner of the Cleat with your marks. Affix the Cleat to wall with (1) screw into a stud or suitable wall anchor (wall mounting hardware not included).



NOTE: These instructions result in a **6"** gap between the cabinet bottom and floor, and a **35.75"** countertop height for single-tier installations. The **26"** cleat height may be adjusted if a different mounting height is desired.

02 / 04


Using a Bubble Level, level the Cleat and continue anchoring the Cleat to the wall with (2) screws at every stud location, or per the structural requirements of your wall and installation.

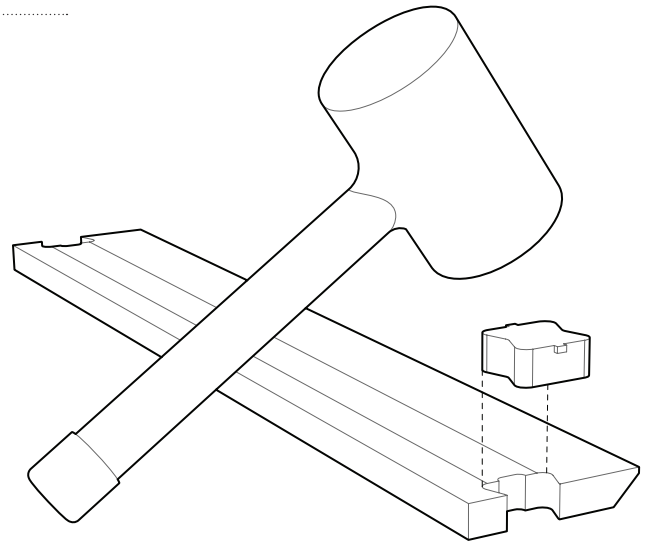




FIRST TIER - CLEAT INSTALLATION (cont'd)

03 / 04

Using a Mallet, install a **Wooden Butterfly**  into the end of the next Cleat section. The Butterfly tabs should be oriented so that they face outward when installed on wall.

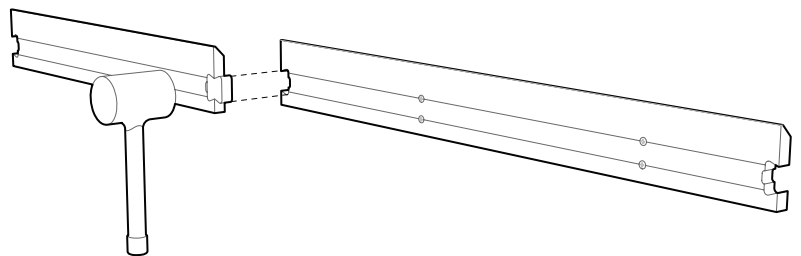


04 / 04

Use Mallet to Install the Cleat with Butterfly into the Cleat mounted on the wall.

Using a Bubble Level, level the Cleat and continue anchoring the Cleat to the wall with (2) screws at every stud location, or per the structural requirements of your wall and installation, as in Step 02.

Repeat Steps 03 and 04 for the remaining Cleats.



NOTE: If installing a 2-Tier or 3-Tier configuration, proceed to **SECOND/THIRD TIER - CLEAT INSTALLATION**. If installing a 1-Tier configuration,

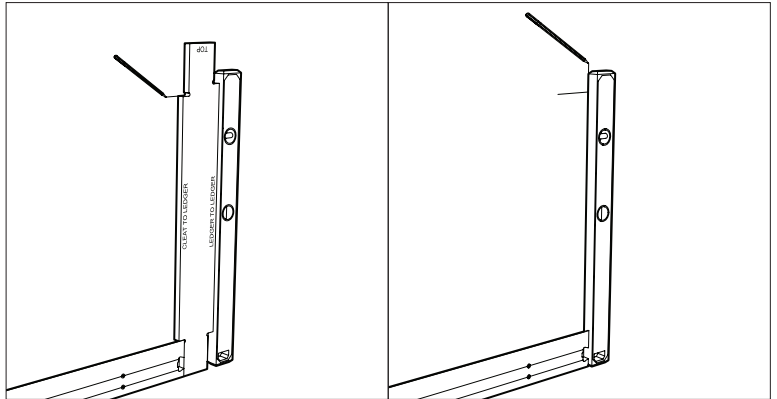


SECOND/THIRD TIER - CLEAT INSTALLATION

01 / 03

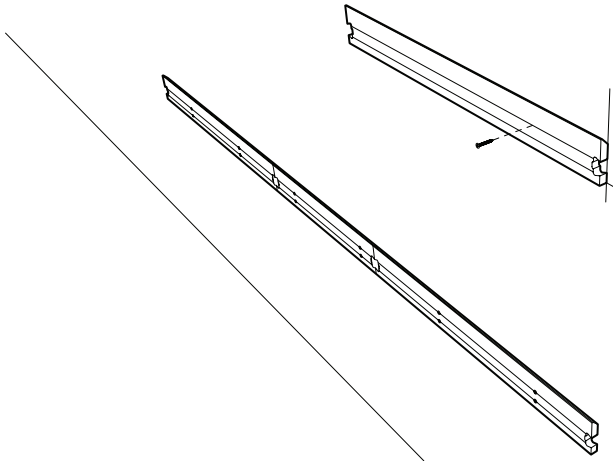
The remaining rows of Cleats will be used as **Ledgers**. Locate the side of the Story Stick labeled “CLEAT TO LEDGER”. To set the height of the first Ledger, hang the bottom knotch of the Story Stick off the side of the Cleat below, against the wall. Making sure the Story Stick is snug to the cleat, use a Bubble Level to ensure the Story Stick is plumb. Mark the bottom of the upper notch.

Use a Bubble Level to mark an intersecting vertical line that is plumb with the side of the Cleat below.



02 / 03

Place the first Ledger on the wall, aligning the bottom corner with your marks. Affix the Ledger to wall with (1) screw into a stud or suitable wall anchor (wall mounting hardware not included).

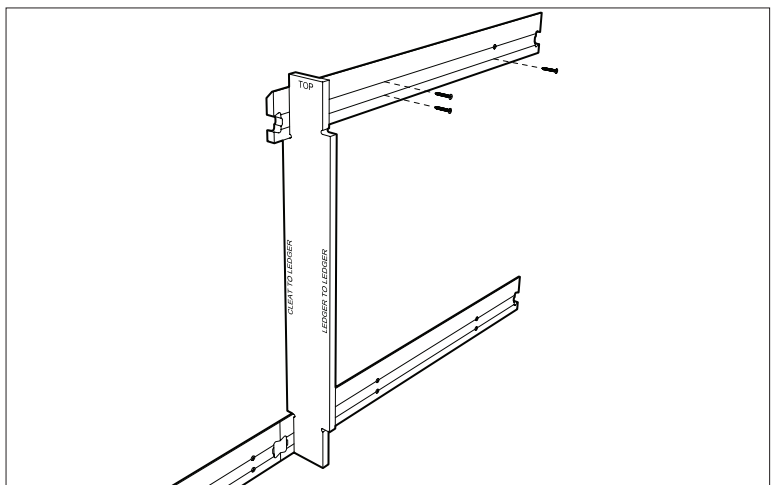


03 / 03

Use the “CLEAT TO LEDGER” Story Stick to set the height of the other side of the Ledger. Continue anchoring the Ledger to the wall with (2) screws at every stud location, or per the structural requirements of your wall and installation.

Install remaining ledgers, connecting them to the first Ledger and affixing to wall as in Steps 03 and 04 in the **FIRST TIER - CLEAT INSTALLATION**. The Story Stick may be used to set Ledger height in relation to the previous row of Cleats.

NOTE: If installing 2-Tier configuration, continue to **CABINET INSTALLATION**. If installing 3-Tier configuration, repeat above Steps 01 thru 03, **this time using the “LEDGER TO LEDGER” Story Stick.**





CABINET INSTALLATION

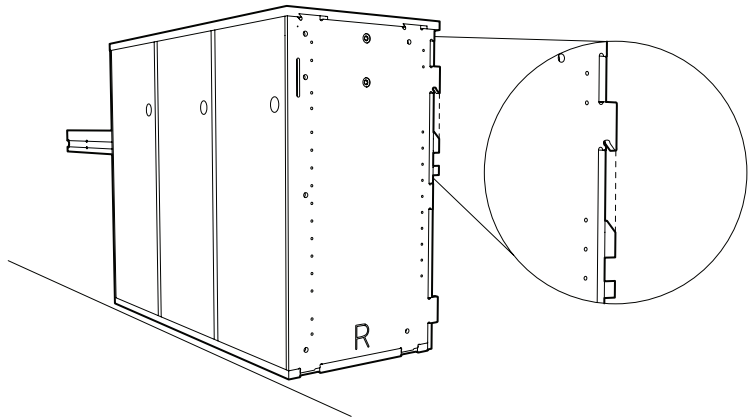
01 / 03

Hang the first Cabinet by lowering it onto the First Tier Cleat until the hooks are fully seated. Ensure that the Cabinet is aligned with the outside edge of the first Cleat.

Continue hanging the remaining First Tier Cabinets, making sure each Cabinet is flush to the previous one.

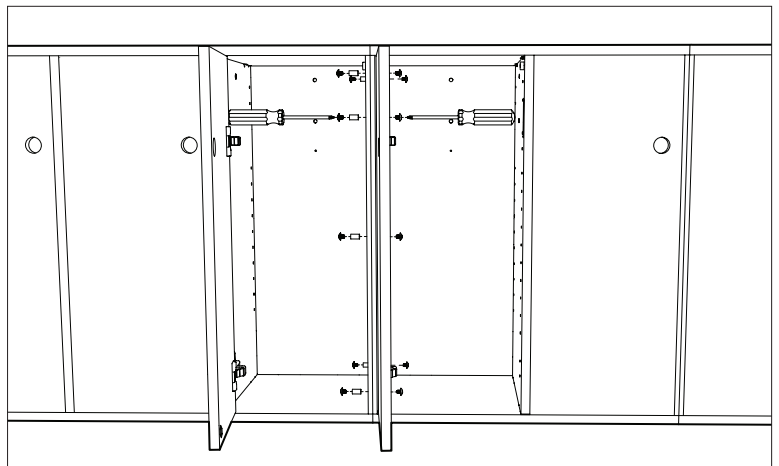


NOTE: Removing the cabinet doors is not necessary for installation, but will reduce the lifting weight.



02 / 03

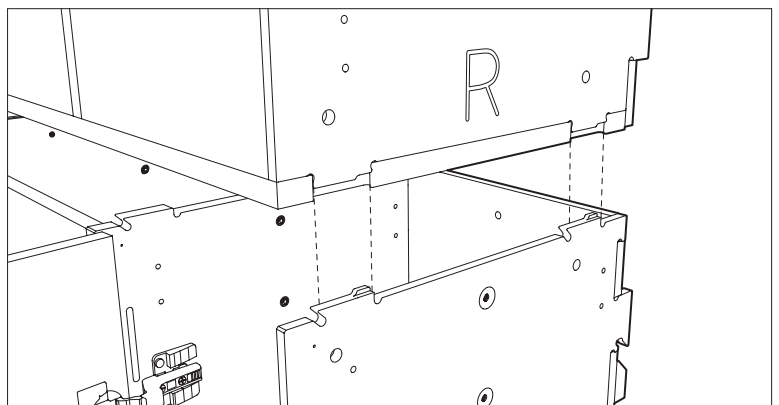
Join the Cabinets together using (1) **Aluminum Spacer** and (2) **5/16" long Screws** in each Connector Hole. There are (6) sets of hardware per Cabinet seam. Tighten using (2) Phillips drivers, not included.



03 / 03

If installing a 2-Tier or 3-Tier configuration, place the next tier(s) of Cabinets on top of the previous tier, making sure that the seams align. The tabs on the top of the Cabinets below fit into slots in the underside of the Cabinet above. **On the second and third tiers, the hooks will not engage the Ledger.**

Repeat the above Step 02 to join all Cabinets. Then continue to **FINISHING INSTALLATION**.

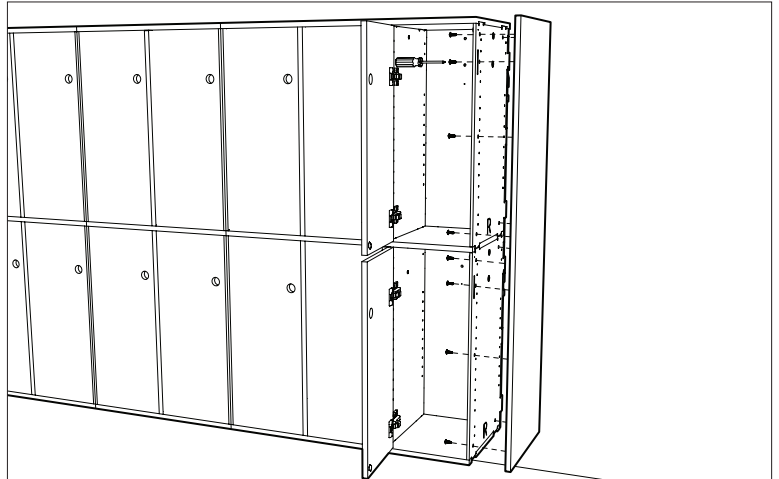




FINISHING INSTALLATION

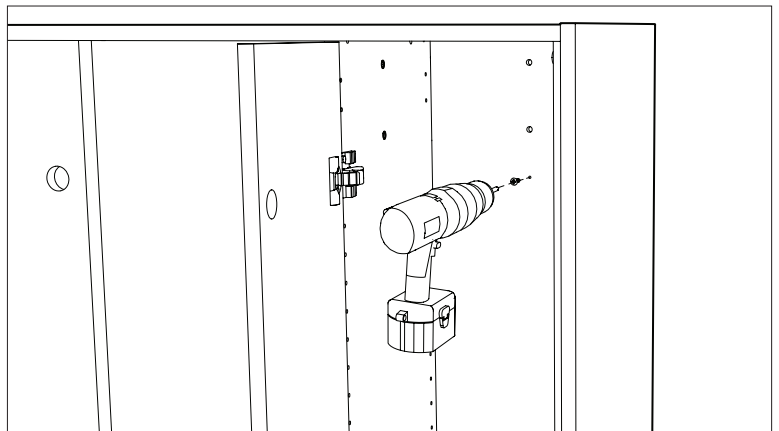
01 / 03

Install the Left and Right Endcaps with the **3/4" long Screws** ① from the inside of the Cabinet. There are (6) screws per side, per cabinet bay. Adjust the Endcap so that the top and front edges are **1/16"** proud of the Cabinets, and tighten with a Phillips driver.



02 / 03

Secure the Cabinets to the Cleat and Ledgers with a **1" Wood Screw** ② through the back of each locker bay. Use (2) screws if securing a Bookshelf Unit or XL locker. Pilot holes are pre-drilled.



03 / 03

Place the Adjustable Shelf by installing (4) **Shelf Pins** ③ into the pre-drilled Shelf Pin Holes at the desired height, and lowering the Adjustable Shelf onto the pins (Adjustable Bookshelves use (5) pins.).

The installation is now complete!

