

# Adaptive Storage Wall

## BASE MOUNTED INSTRUCTIONS



## BEFORE YOU BEGIN

- Read our Structural Requirements to ensure your wall is compatible with product installation.
- Obtain wall mounting hardware. This hardware must be suitable to your particular wall material and condition, **and is not included with the product**. See Structural Requirements for additional information.
- Remove all parts from packaging, including Cleats/Ledgers and hardware.

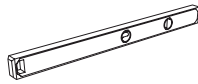
## TOOLS NEEDED



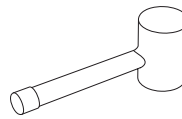
Pencil



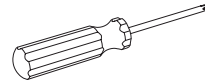
Hex Key



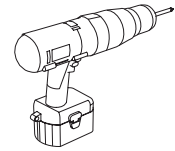
Bubble Level



Mallet

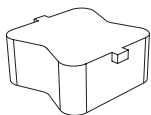


Phillips Driver (x2)

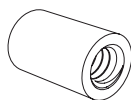


Power Driver

## INCLUDED HARDWARE



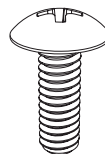
A Butterfly



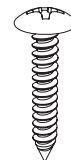
B Aluminum Spacer



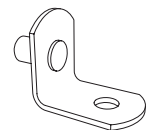
C 5/16" Screw



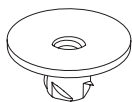
D 3/4" Screw



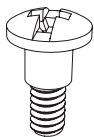
E 1" Wood Screw



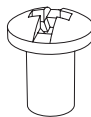
F Shelf Pin



G T-Nut



H Binding Screw



I Binding Barrel

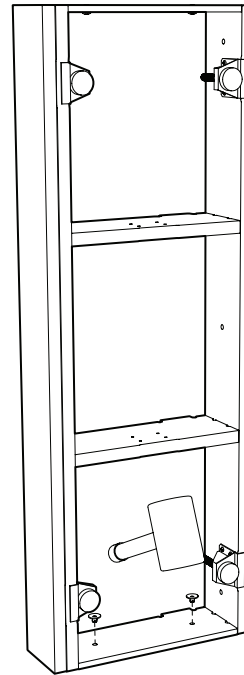


## BASE BOX INSTALLATION

01 / 04

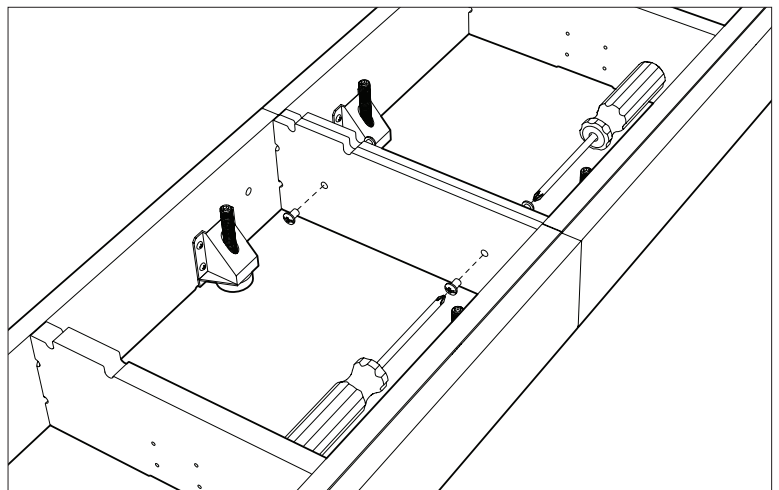
Locate the Base Box that will be placed on the LEFT end of the installation. Install (2) **T-Nuts** ② on the inside face of the LEFT side of the Base Box. Use a mallet to install them into the pre-drilled holes.

Repeat with the Base Box that will be placed on the RIGHT end of the installation. Install (2) **T-Nuts** ② on the inside face of the RIGHT side of the Base Box.



02 / 04

Use **Binding Screws** ③ and **Binding Barrels** ④ to connect all of the Base Boxes. There are (2) sets per seam. Tighten using (2) Phillips drivers, not included. The T-Nuts installed in Step 01 should be at the left and right sides of the assembled Base Box array.





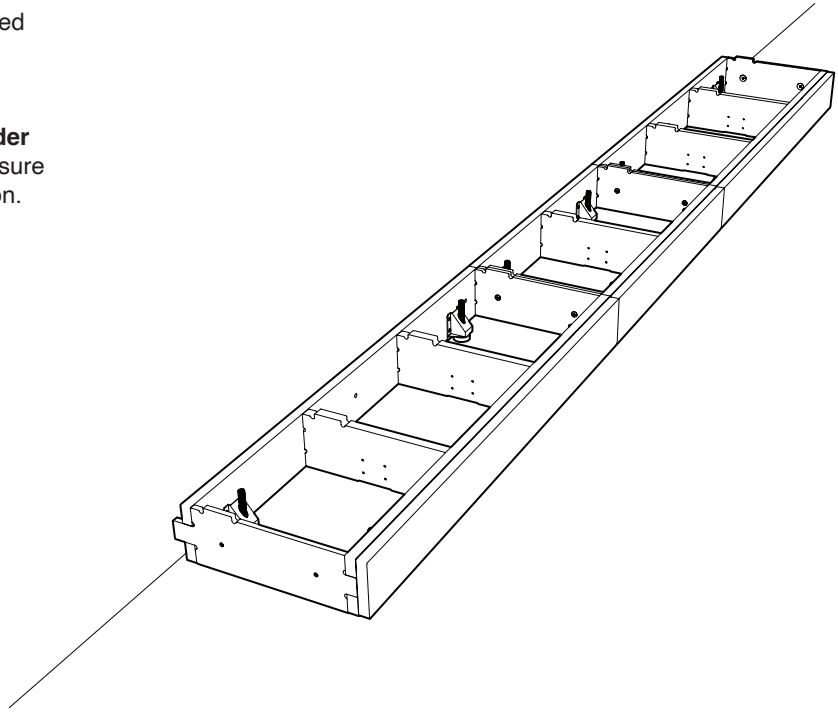
## BASE BOX INSTALLATION (cont'd)

03 / 04

Place Base Box assembly against wall at desired location.



**NOTE:** The finished installation will be **3/4" wider** than Base Box assembly **on each side**. Make sure to account for this when selecting install location.



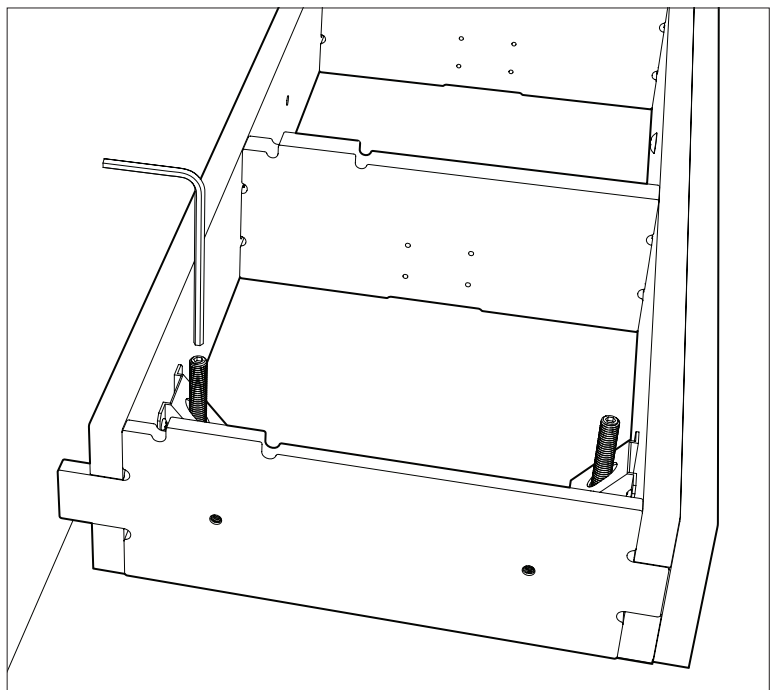
04 / 04

Level the assembled Base Boxes by adjusting the Leveling Feet with the Hex Key, included.



**NOTE:** The Toekick Faceplate is factory-installed to be flush with the top and ends of the Base Box. If adjustment is required, loosen the screws that hold it on from the inside of the Base Box, reposition, and retighten. **You will not be able to make this adjustment after the Cabinets are installed.**

Once the Base Box is in place and leveled proceed to **FIRST TIER - LEDGER INSTALLATION.**





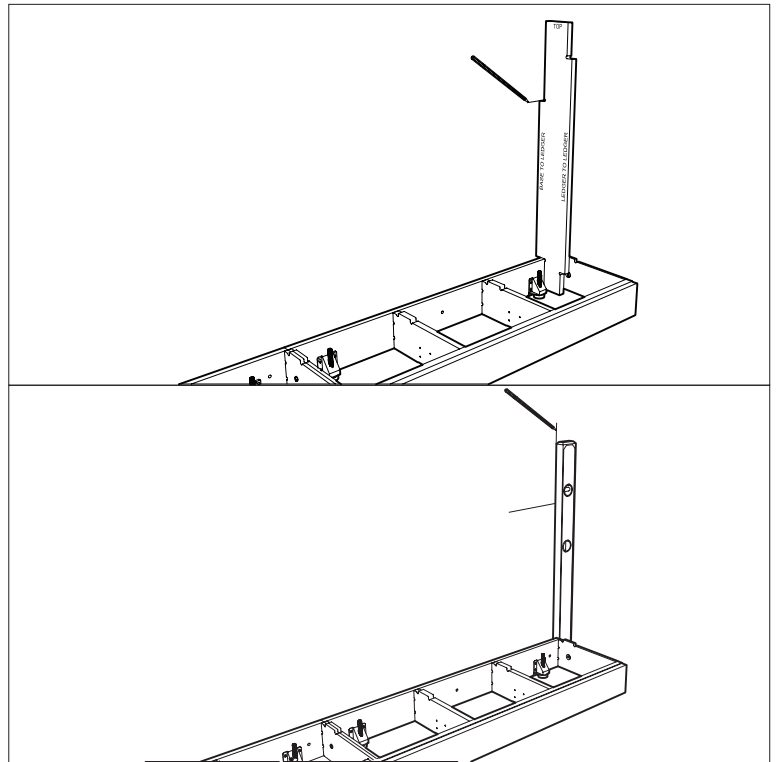
## FIRST TIER - LEDGER INSTALLATION

01 / 04

For Base Box installations, the Cleats will be used as Ledgers.

Install the first tier of Ledgers with the included Story Stick. Locate the side of the Story Stick that is labeled "BASE TO LEDGER" and set the bottom notch of the Story Stick on top of the Base Unit. Using a Bubble Level to ensure the Story Stick is plumb, mark where the bottom of the upper notch hits the wall.

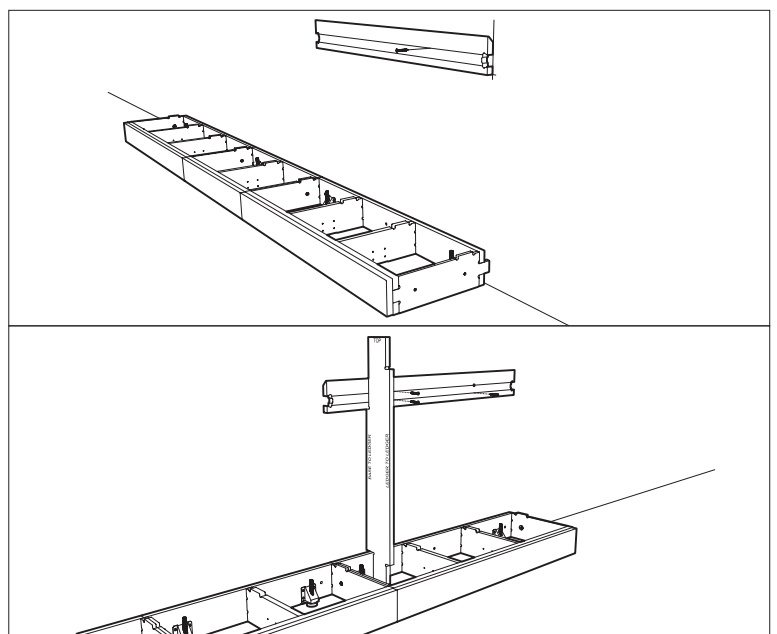
Then, using a Bubble Level, mark a vertical line that is plumb with the side of the Base Box that intersects with your previous mark.



02 / 04

Set the bottom corner of the first Ledger to align with these two marks. Affix the Ledger to wall with (1) screw into a stud or suitable wall anchor (wall mounting hardware not included).


Then use the "BASE TO LEDGER" Story Stick to set the height of the other side of the Ledger. Continue anchoring the Ledger to the wall with (2) screws at every stud location, or per the structural requirements of your wall and installation.

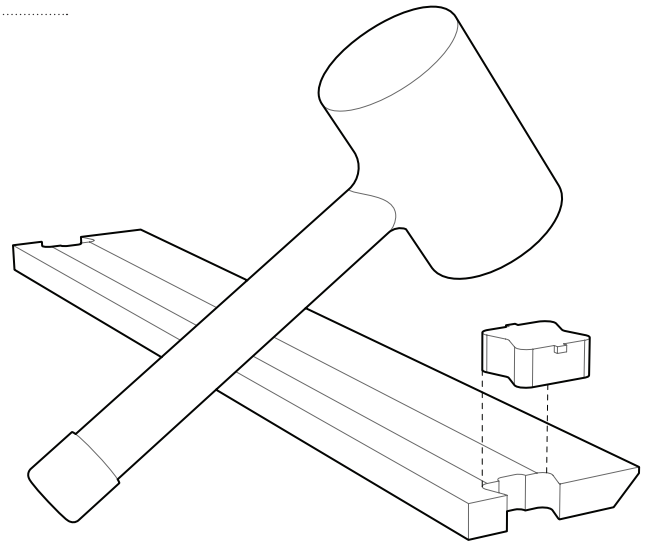




## FIRST TIER - LEDGER INSTALLATION (cont'd)

03 / 04

Using a Mallet, install a **Wooden Butterfly**  into the end of the next loose Ledger. The Butterfly tabs should be oriented so that they face outward when installed on wall.

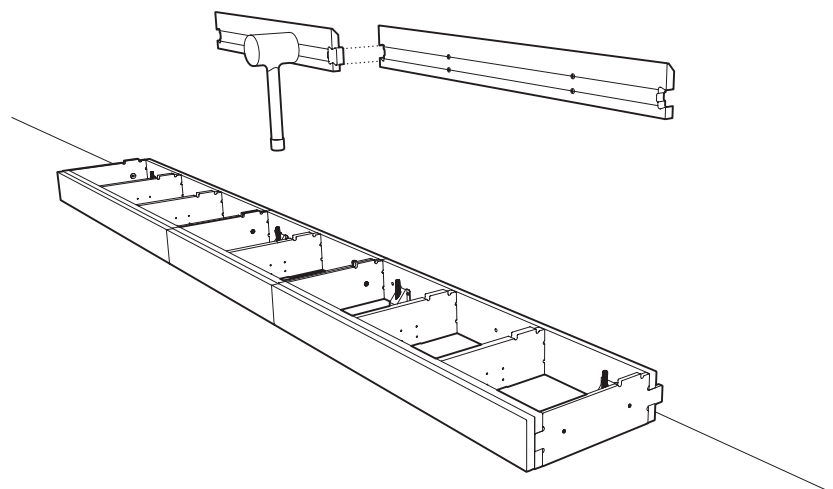


04 / 04

Use Mallet to Install the Ledger with Butterfly into the Ledger mounted on the wall.

Using a Bubble Level, level the Ledger and continue anchoring the Ledger to the wall with (2) screws at every stud location, or per the structural requirements of your wall and installation, as in Step 2.

Repeat Steps 03 and 04 for the remaining Ledgers.



**NOTE:** If installing a 2-Tier or 3-Tier configuration, proceed to **SECOND/THIRD TIER - LEDGER INSTALLATION**. If installing a 1-Tier configuration, continue to **CABINET INSTALLATION**.

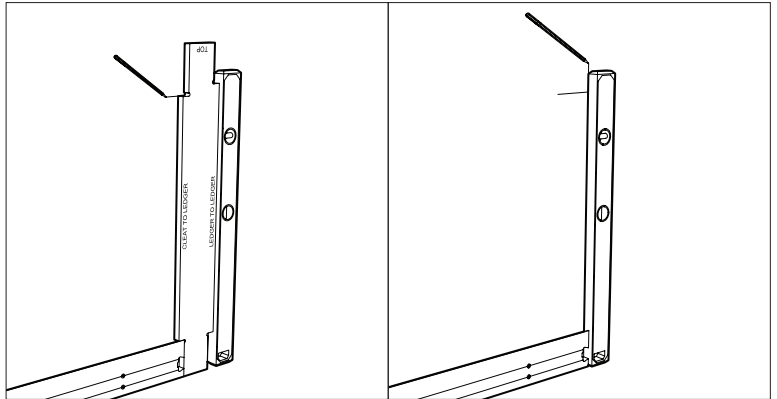


## SECOND/THIRD TIER - LEDGER INSTALLATION

01 / 03

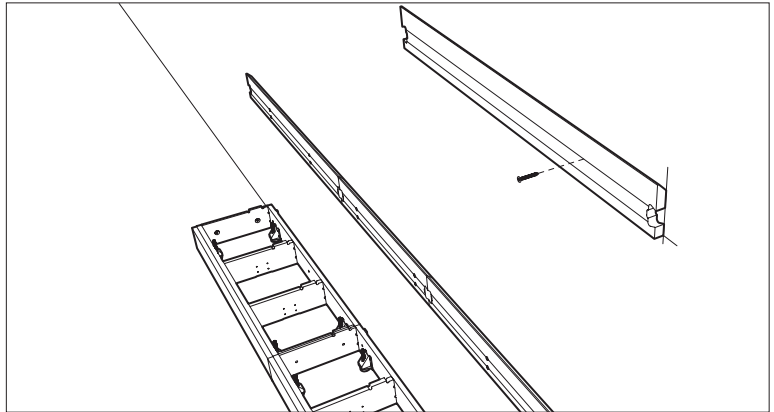
Locate the side of the Story Stick labeled “**LEDGER TO LEDGER**”. To set the height of the Ledger, hang the bottom knotch of the Story Stick off the previously installed Ledger below, against the wall. Making sure the Story Stick is snug to the wall, use a Bubble Level to ensure the Story Stick is plumb. Mark the bottom of the upper notch.

Use a Bubble Level to mark an intersecting vertical line that is plumb with the side of the Ledger below.



02 / 03

Place the first Ledger on the wall, aligning the bottom corner with your marks. Affix the Ledger to wall with (1) screw into a stud or suitable wall anchor (wall mounting hardware not included).

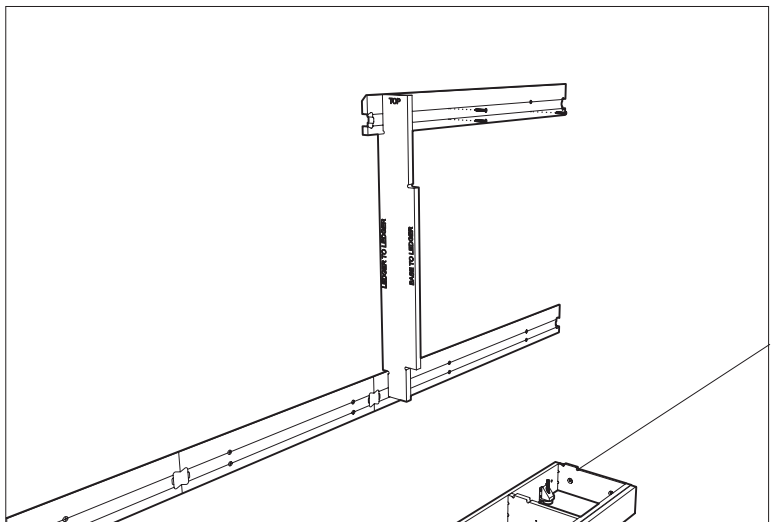


03 / 03

Use the “**LEDGER TO LEDGER**” Story Stick to set the height of the other side of the Ledger. Continue anchoring the Ledger to the wall with (2) screws at every stud location, or per the structural requirements of your wall and installation.

Install remaining ledgers, connecting them to the first Ledger and affixing to wall as in Steps 03 and 04 in the **FIRST TIER - LEDGER INSTALLATION**. The Story Stick may be used to set Ledger height in relation to the previous row of Ledgers.

**NOTE:** If installing 2-Tier configuration, continue to **CABINET INSTALLATION**. If installing 3-Tier configuration, repeat above Steps 01 thru 03 until all ledgers are installed then continue to **CABINET INSTALLATION**.





## CABINET INSTALLATION

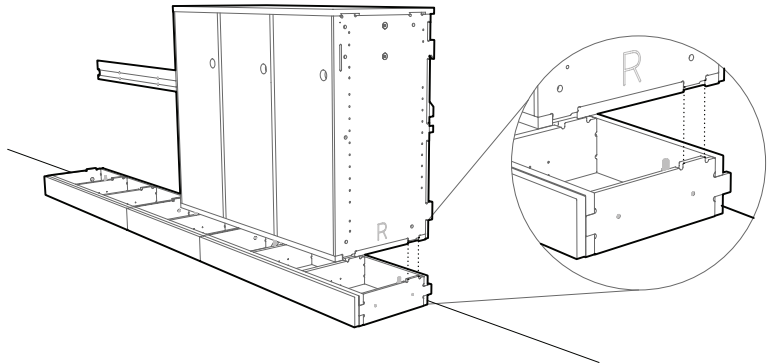
01 / 03

Place the first Cabinet by lowering it onto the Base Box. The tabs on the top of the Base Box fit into slots in the underside of the Cabinet. **Hooks on the back of the cabinets will not engage the ledgers.**

Continue lowering Cabinets onto Base Box, making sure each Cabinet is flush to the previous one and all seams align.

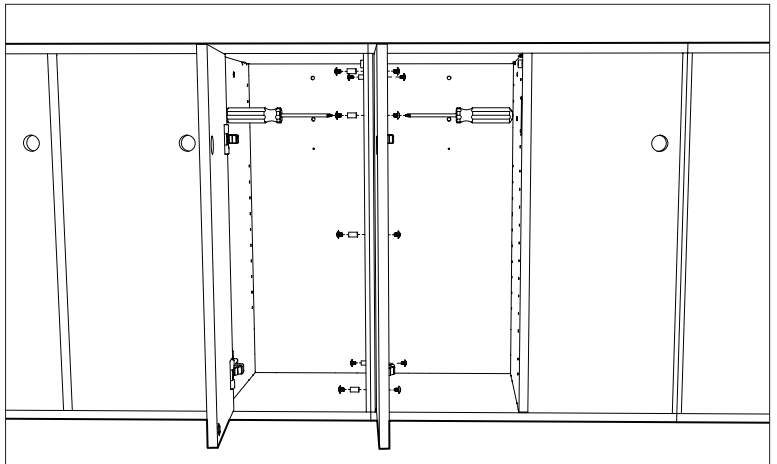


**NOTE:** Removing the cabinet doors is not necessary for installation, but will reduce the lifting weight.



02 / 03

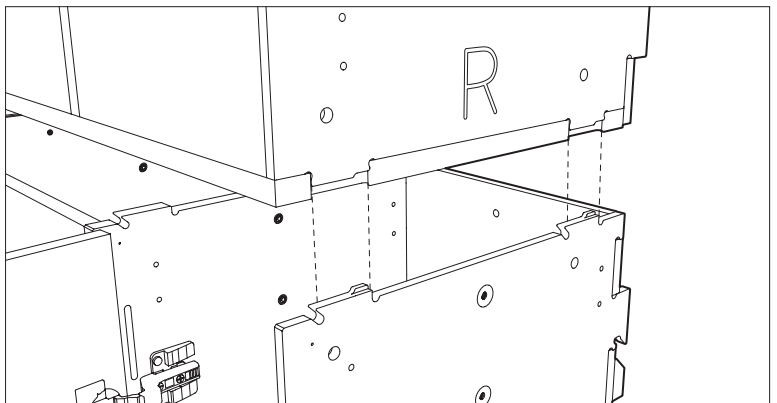
Join the Cabinets together using (1) **Aluminum Spacer** and (2) **5/16" Screws** in each Connector Hole. There are (6) sets of hardware per Cabinet seam. Tighten using (2) Phillips drivers, not included.



03 / 03

If installing a 2-Tier or 3-Tier configuration, place the next tier(s) of Cabinets on top of the previous tier, making sure that the seams align. The tabs on the top of the Cabinets below fit into slots in the underside of the Cabinet above.

Repeat the above Step 02 to join all Cabinets. Then continue to **FINISHING INSTALLATION.**



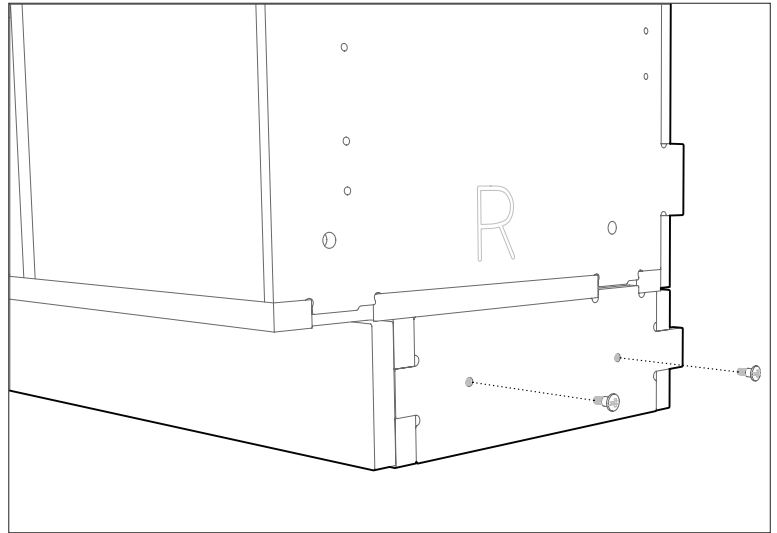




## FINISHING INSTALLATION

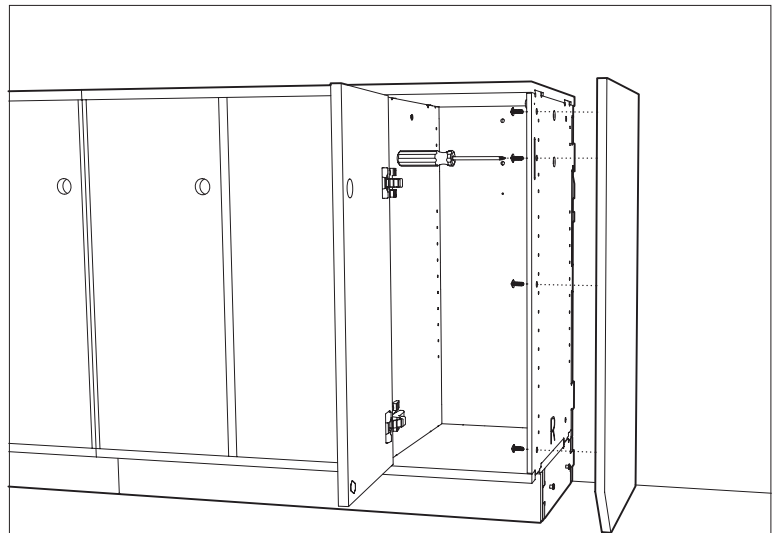
01 / 04

To Install the Endcaps, start by installing (4) **Binding Screws** ① into the **T-Nuts** ② that were installed in the **BASE BOX INSTALLATION** Step 01. (2) **Binding Screws** ① are used on either side of the Base Box.



02 / 04

Install the Left and Right Endcaps by fitting the Binding Screws into the Keyhole Slots that are milled into the bottom of the Endcaps, and slide the Endcaps back towards the wall. Then, secure the Endcaps with the **3/4" Screws** ③ from the inside of the Cabinet. There are (6) Screws per Cabinet tier per side. Adjust the Endcaps so that the top and front edges are **1/16"** proud of the Cabinets, and tighten with a Phillips driver.

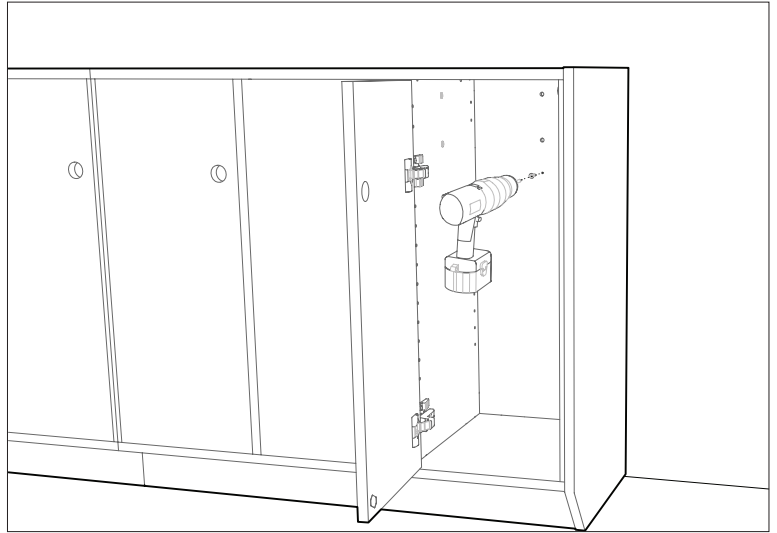




## FINISHING INSTALLATION (cont'd)

03 / 04

Secure the Cabinets to the Ledger with a **1" Wood Screw ③** through the back of each locker bay. Use (2) screws if securing a Bookshelf Unit or XL locker. Pilot holes are pre-drilled.



04 / 04

Place the Adjustable Shelf by installing (4) **Shelf Pins ④** into the pre-drilled Shelf Pin Holes at the desired height, and lowering the Adjustable Shelf onto the pins (Adjustable Bookshelves use (5) pins.).

**The installation is now complete!**

