



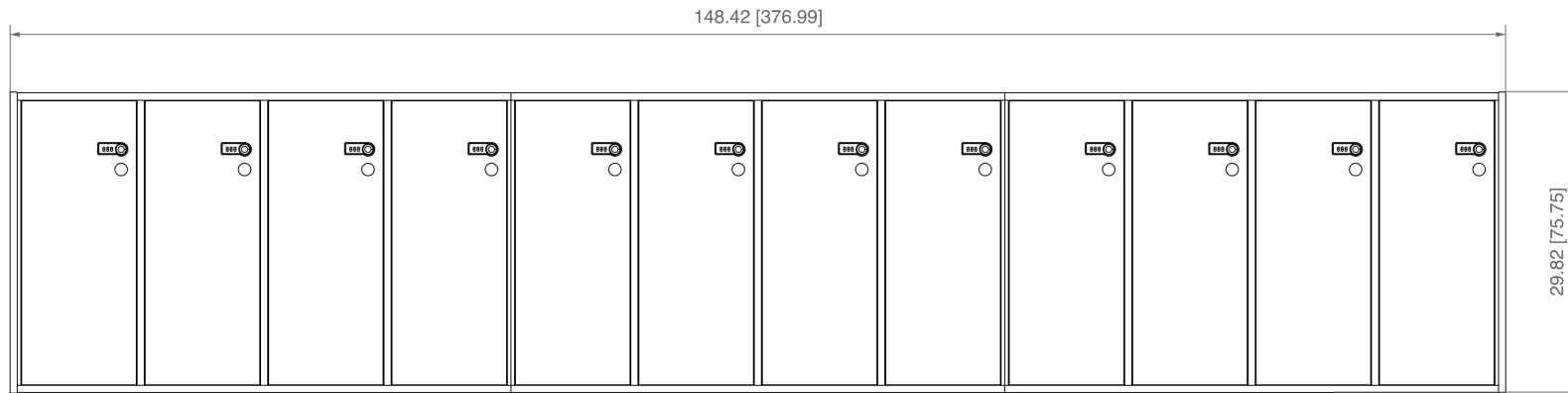
SINGLE TIER SAMPLE ARRAY PAGES

- 01 - OVERVIEW
- 02 - ELEVATIONS

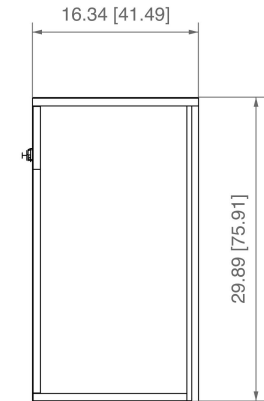
MATERIAL KEY

			
EUROPLY	WALNUT	CLASSIC BIRCH	WHITE OAK
			
COLORED FIBERBOARD	FOG	SLATE	

1 SINGLE TIER SAMPLE ARRAY
ISOMETRIC VIEW



1 SINGLE TIER SAMPLE ARRAY
FRONT VIEW



2 SINGLE TIER SAMPLE ARRAY
SIDE VIEW



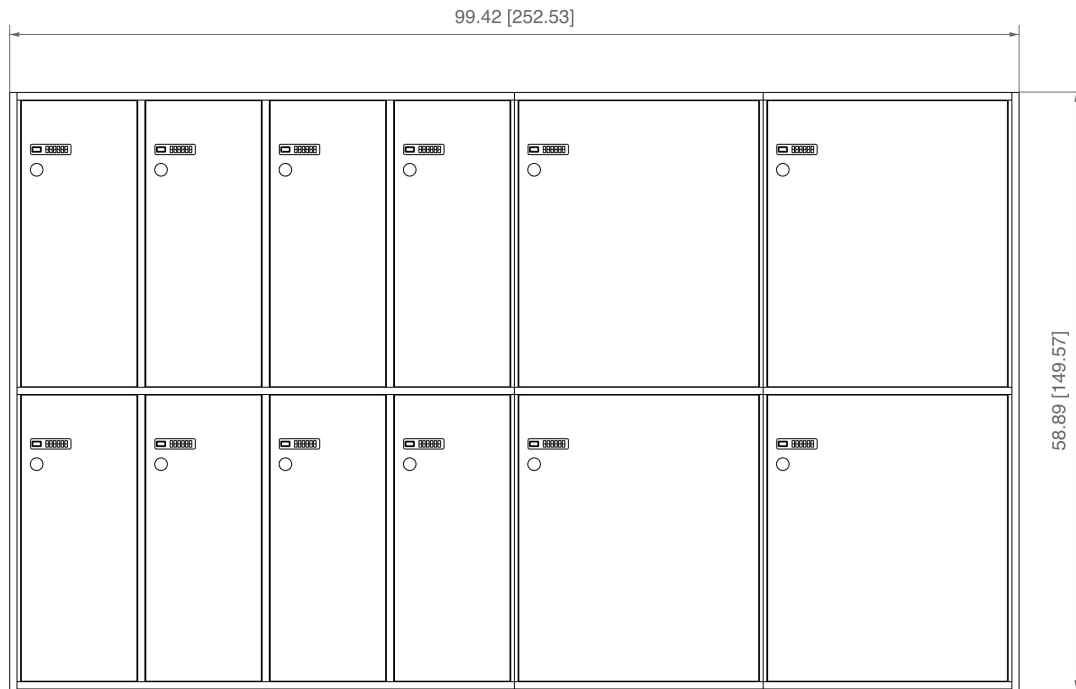
DOUBLE TIER SAMPLE ARRAY PAGES

- 03 - OVERVIEW
- 04 - ELEVATIONS

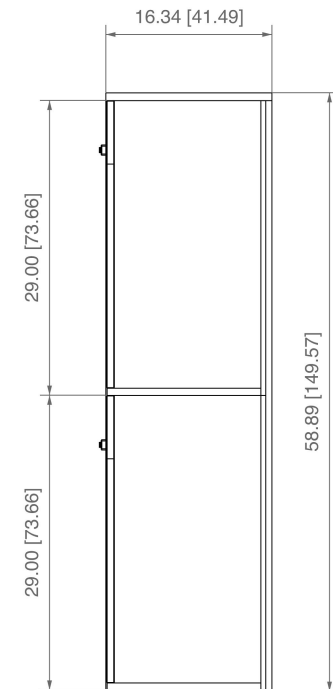
MATERIAL KEY

			
EUROPLY	WALNUT	CLASSIC BIRCH	WHITE OAK
			
COLORED FIBERBOARD	FOG	SLATE	

1 DOUBLE TIER SAMPLE ARRAY
ISOMETRIC VIEW



1
DOUBLE TIER SAMPLE ARRAY
FRONT VIEW



2
DOUBLE TIER SAMPLE ARRAY
SIDE VIEW



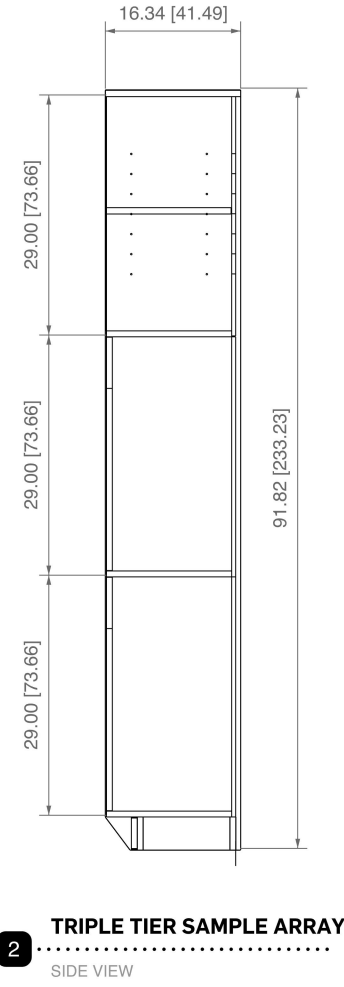
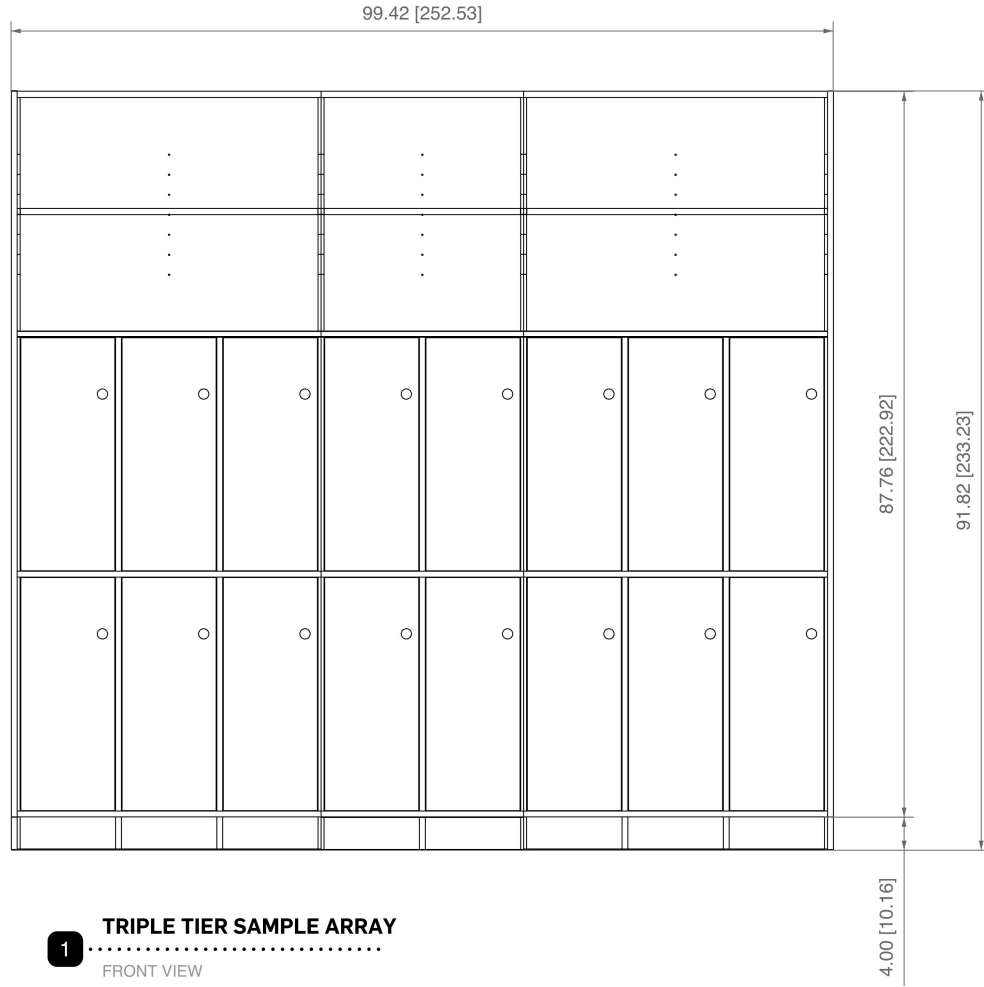
TRIPLE TIER SAMPLE ARRAY PAGES

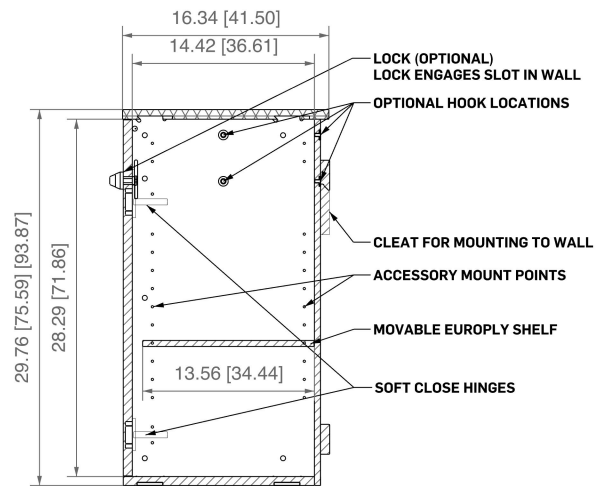
- 05 - OVERVIEW
- 06 - ELEVATIONS

MATERIAL KEY

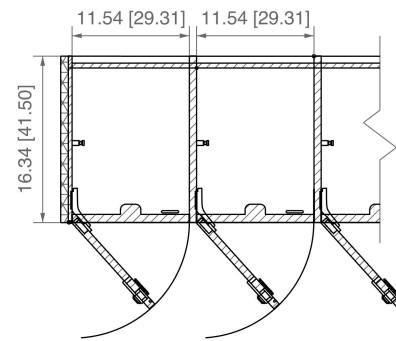


1 TRIPLE TIER SAMPLE ARRAY
ISOMETRIC VIEW

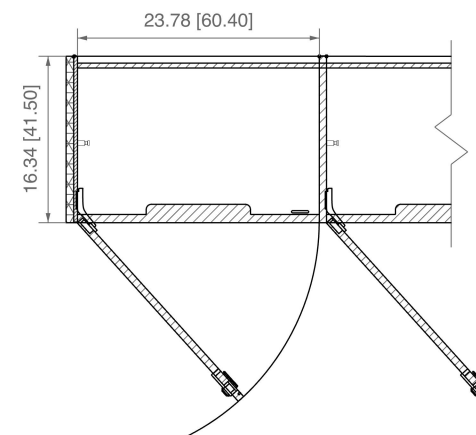




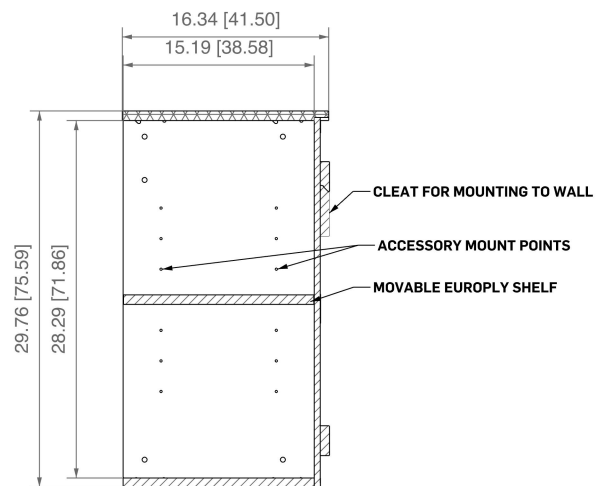
1 STANDARD/XL LOCKER
SIDE SECTION VIEW



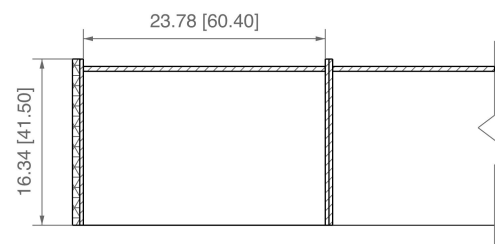
2 STANDARD LOCKER
TOP SECTION VIEW



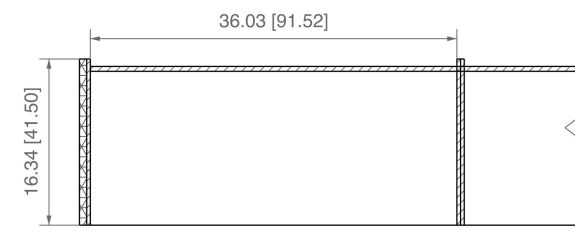
3 XL LOCKER
TOP SECTION VIEW



4 STANDARD BOOKSHELF
SIDE SECTION VIEW



5 STANDARD BOOKSHELF
TOP SECTION VIEW



6 XL BOOKSHELF
TOP SECTION VIEW

MATERIAL KEY



EUROPLY



CLASSIC BIRCH



VARIES

**WALL TOLERANCES:**

Wall mounted (cleat hung) installations require a wall that is built to local structural code requirements, engineered to support the weight of cabinets and contents, and that is straight and plumb. For vertical in-plane tolerances (plumb), the wall should not deviate from plumb more than 1/4" over 8 vertical feet. For horizontal in-plane tolerances (straight), the wall should not deviate more than 1/8" between adjacent framing members. Wall cleats may be shimmed for straightness during installation (shims not provided). For locations with walls that deviate in excess of these tolerances, we recommend a floor mounted (box base) installation.

Floor mounted (box base) installations have greater wall tolerances, and require only a wall that is sufficiently straight and plumb to allow the cabinets to be effectively screwed to the included ledgers to prevent tipping. See installation instructions for further information.

FLOOR TOLERANCES:

Wall mounted (cleat hung) installations do not contact the floor surface, and may be installed with any floor condition.

Floor mounted (box base) installations require a floor that is built to local structural code requirements, and engineered to support the weight of cabinets and contents. Box bases are provided with adjustable leveling feet, and are compatible with floors that deviate from level up to a maximum of 1-1/4" over the total run of the cabinet installation.

HARDWARE:

Wall mounted (cleat hung) and floor mounted (box base) locker installations require installer-supplied hardware to mount provided cleats and/or ledgers to wall. Installer is responsible for insuring that cleat/ledger mounting hardware is appropriate for the wall substrate, engineered to support the weight of cabinets and contents, and compatible with local structural code requirements. See installation instructions for further information.