



Brüdermair

Sägen^{/83H27}

Three holes Bathroom Vessel Faucet

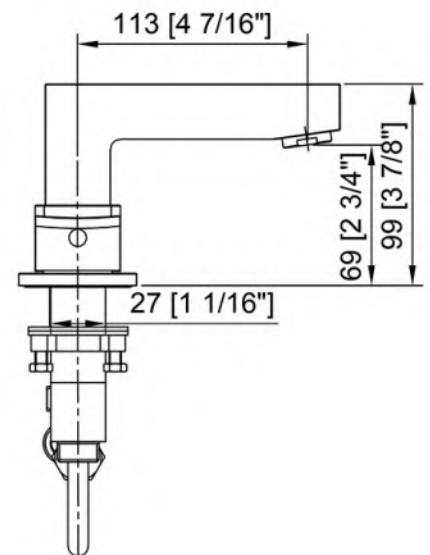
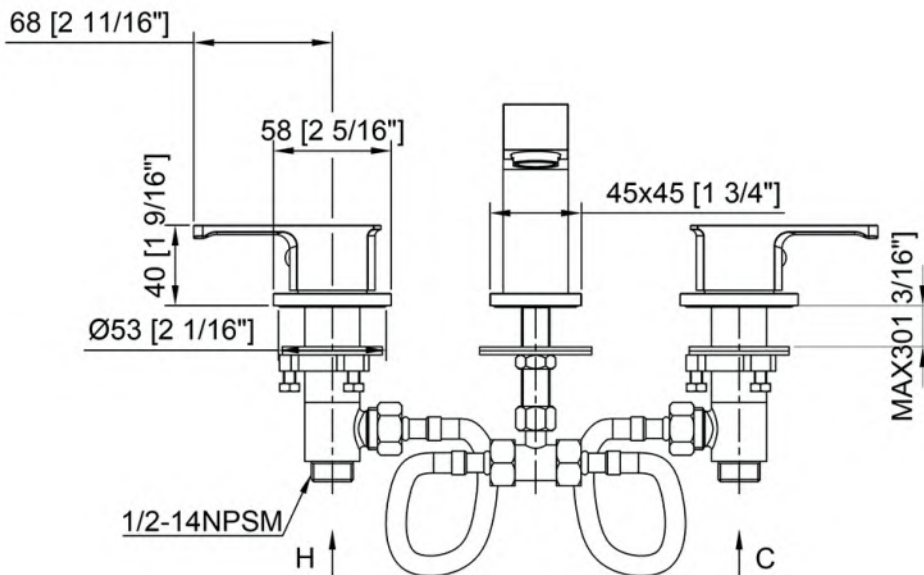


AVAILABLE IN: BLACK/ CHROME

- Hot and Cold water mixer
- Lead free brass material
- Ceramic cartridge: 500,000 times no leakage
- Max Flow rate: 2.2 gpm with pressure 60psi/413.4kpa
- Spout reach 4 7/16"
- Spout height 3 7/8"
- Box Weight: 6.25lbs
- Box Measures: 18.5x10x3 inches

INCLUDED IN THE BOX

- *Faucet and two handles
- *Hot/Cold caps
- *Spacers
- *Rubber washers
- *Metal washers
- *Valve bodies





Brüdermair

Sëgen /83H27

Three holes Bathroom Vessel Faucet



C



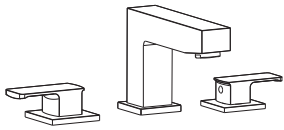
AVAILABLE IN: BLACK/ CHROME



Installation Instructions

THREE HOLES BATHROOM VESSEL FAUCET

- Lead Free Brass Construction
- Ceramic Cartridge
- Easy Installation



RECOMMENDED TOOLS



Adjustable wrench



Phillips Screwdriver



Pipa tape



Flashlight



Hex-key

STEP 1

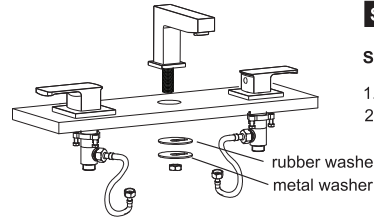
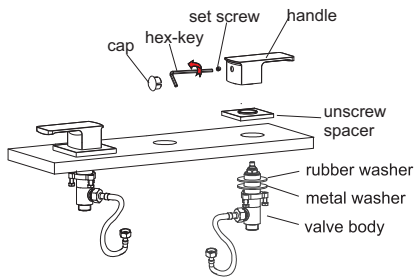
Handle installation

1. Use provided hex-key loosen set screw.
2. Remove handle and unscrew spacer from valve body.
3. Place handle onto cartridge in desired position and tighten set screw with hex-key. Cover handle hole with hot/cold cap.

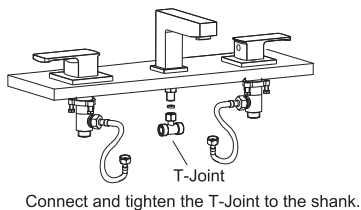
STEP 2

Spout installation

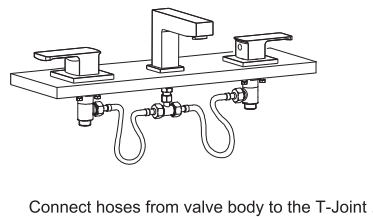
1. Disassemble the spout.
2. Place rubber washer, metal washer and nut in order and secure the nut.



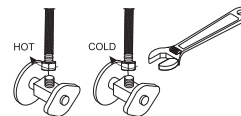
STEP 3



STEP 4



STEP 5



1. Connect the flexible hose(not included) to water supply valve (not included), and tighten it with adjustable wrench.

DON'T OVER TIGHTEN!

Caution: make sure to connect the hot and cold flexible hoses to supply valves correctly.

