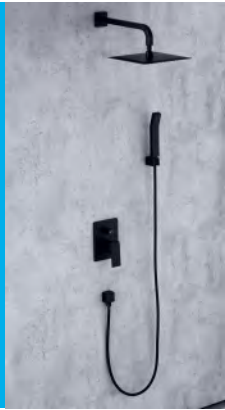




Brüdermair

# Rëgen<sup>/86H25</sup>

## Single handle Pressure Balance Shower System

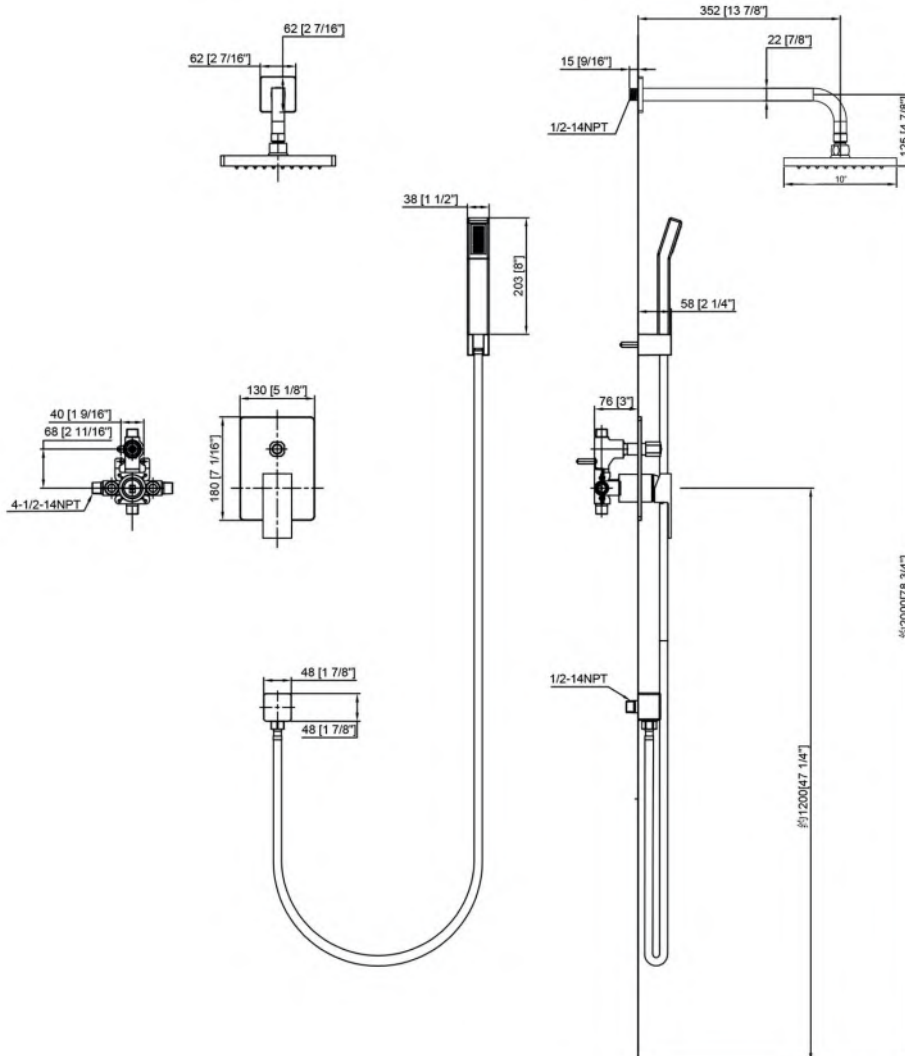


AVAILABLE IN: BLACK

- Hot and Cold water mixer
- Lead free brass material
- Ceramic cartridge: 500,000 times no leakage
- Max Flow rate: 2.5 gpm with pressure 80psi
- Hose reach: 60 inches
- Box Weight: 8.75lbs
- Box Measures: 17x12x6 inches

### INCLUDED IN THE BOX

- |                      |                   |
|----------------------|-------------------|
| 1. Trim              | 12. Allen key     |
| 2. Shower arm        | 13. Diverter      |
| 3. Gasket            | 14. Elbow         |
| 4. Shower head       | 15. Hand shower   |
| 5. Valve body        | 16. Gasket        |
| 6. Cover plate       | 17. Flexible hose |
| 7. Tapping screw     | 18. Setscrew      |
| 8. Panel             | 19. Apping screw  |
| 9. Handle            | 20. Base          |
| 10. Screw            | 21. Setscrew      |
| 11. Red/ blue button |                   |

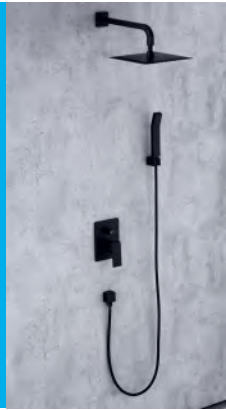




Brüdermair

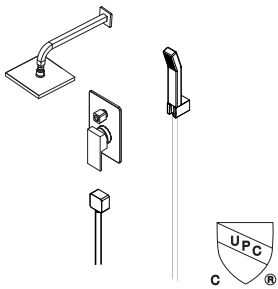
# Rögen<sup>/86H25</sup>

## Single handle Pressure Balance Shower System



AVAILABLE IN: BLACK

### Installation Instructions

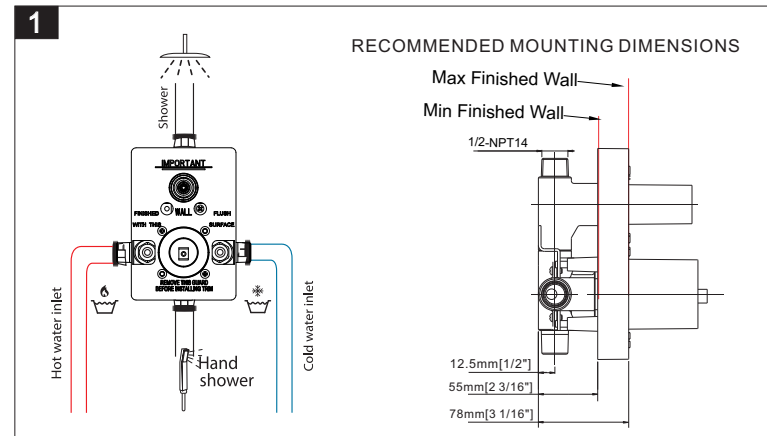


#### Single Handle Pressure Balance Bath Faucets

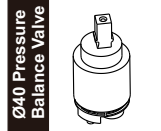
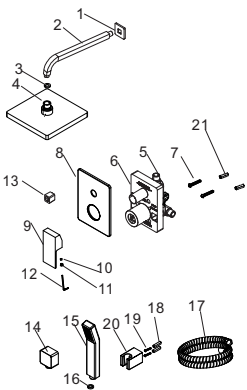
Solid Brass Construction  
Pressure Balance Valve/Gear Type  
Easy Installation



#### RECOMMENDED

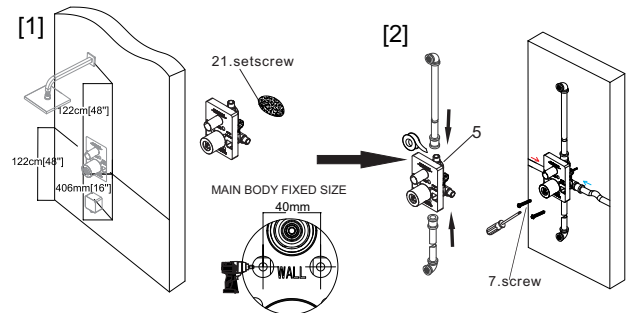


#### DIAGRAM AND PARTS LIST



- |                      |                   |
|----------------------|-------------------|
| 1. Trim              | 12. Allen key     |
| 2. Shower arm        | 13. Diverter      |
| 3. Gasket            | 14. Elbow         |
| 4. Shower head       | 15. Hand shower   |
| 5. Valve body        | 16. Gasket        |
| 6. Cover plate       | 17. Flexible hose |
| 7. Tapping screw     | 18. Setscrew      |
| 8. Panel             | 29. Apping screw  |
| 9. Handle            | 20. Base          |
| 10. Screw            | 21. Setscrew      |
| 11. Red/ blue button |                   |

#### ASSEMBLY INSTRUCTIONS



1. Installation reference size ,main body fixed size( width 40mm ) . Knock 2pcs setscrews(21) into holes .

2. Connect the pipes into the valve body(5) ; Put valve body(5) in the hole and fix it by the screw(7) . then connect the water supply hoses .

#### RECOMMENDED TOOLS



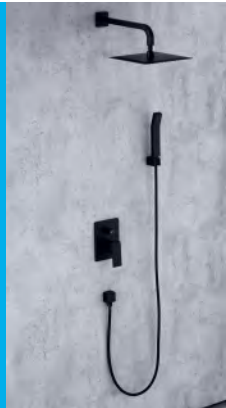
Allen key   Philips Screwdriver   Electric drill   Adjustable wrench   Pipe tape   Eye protection   Flashlight





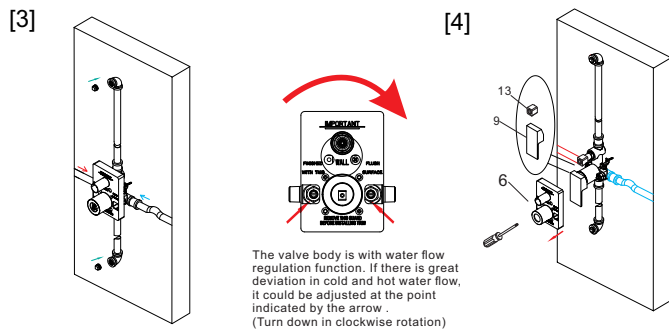
# Rëgen<sup>/86H25</sup>

## Single handle Pressure Balance Shower System



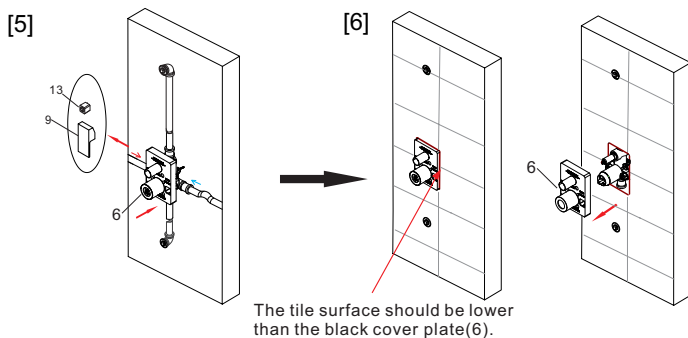
AVAILABLE IN: BLACK

### Installation Instructions



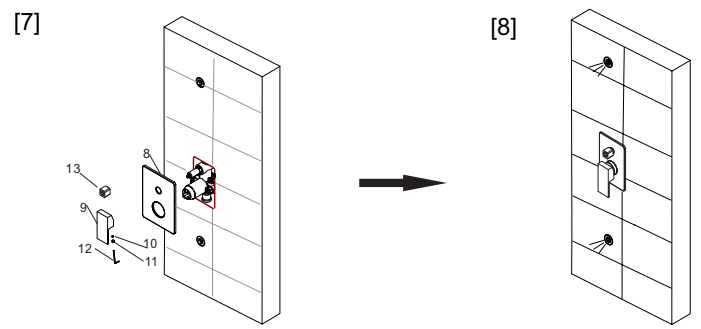
The valve body is with water flow regulation function. If there is great deviation in cold and hot water flow, it could be adjusted at the point indicated by the arrow.  
(Turn down in clockwise rotation)

- 3.Plug the water outlets after the valve body is installed.
- 4.Remove the black cover plate(6). Install the handle(9) and diverter(13).Provide water from water inlet.
- And then test the water pipes leaking or not as below:  
1)Test 3 min @ 1.6 Mpa when the ceramic cartridge is closed.  
2)Test 3 min @ 0.4 Mpa when the ceramic cartridge is open.
- Proceed to next step if no leaking after the testing.

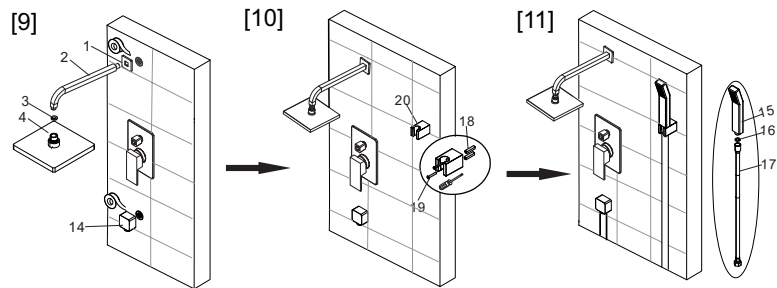


The tile surface should be lower than the black cover plate(6).

- 5.Remove handle(9) and diverter(13), put on cover plate(6) after water test is ok.
- 6.Backfill the wall in concrete, tile on concrete and then remove the black cover plate(6)when available.



- 7.Feed the valve body with panel(8) ,handle(9) and diverter(13), then use the allen key(12) and screw(10) to secure handle(9) and diverter(13), put on the red/ blue button(11).
- 8.Take off hand shower, up and down plugs, turn on the cartridge to wash out the dirt in the water tube.



- 9.Use the tape to install in turn, trim(1),shower arm (2) and elbow(14).Then install the shower head(4) with the gasket(3).
- 10.Install the base (20).  
(Insert 2pcs setscrew(18) ,fix it by the screw(19).)
11. Connect the Flexible hose(17),Gasket(16) and hand shower (15).Testing for leakage after installation. Complete installation.

