



Brüdermair

# Döretz<sub>/82H10</sub>

## One handle Pull Down Kitchen Faucet

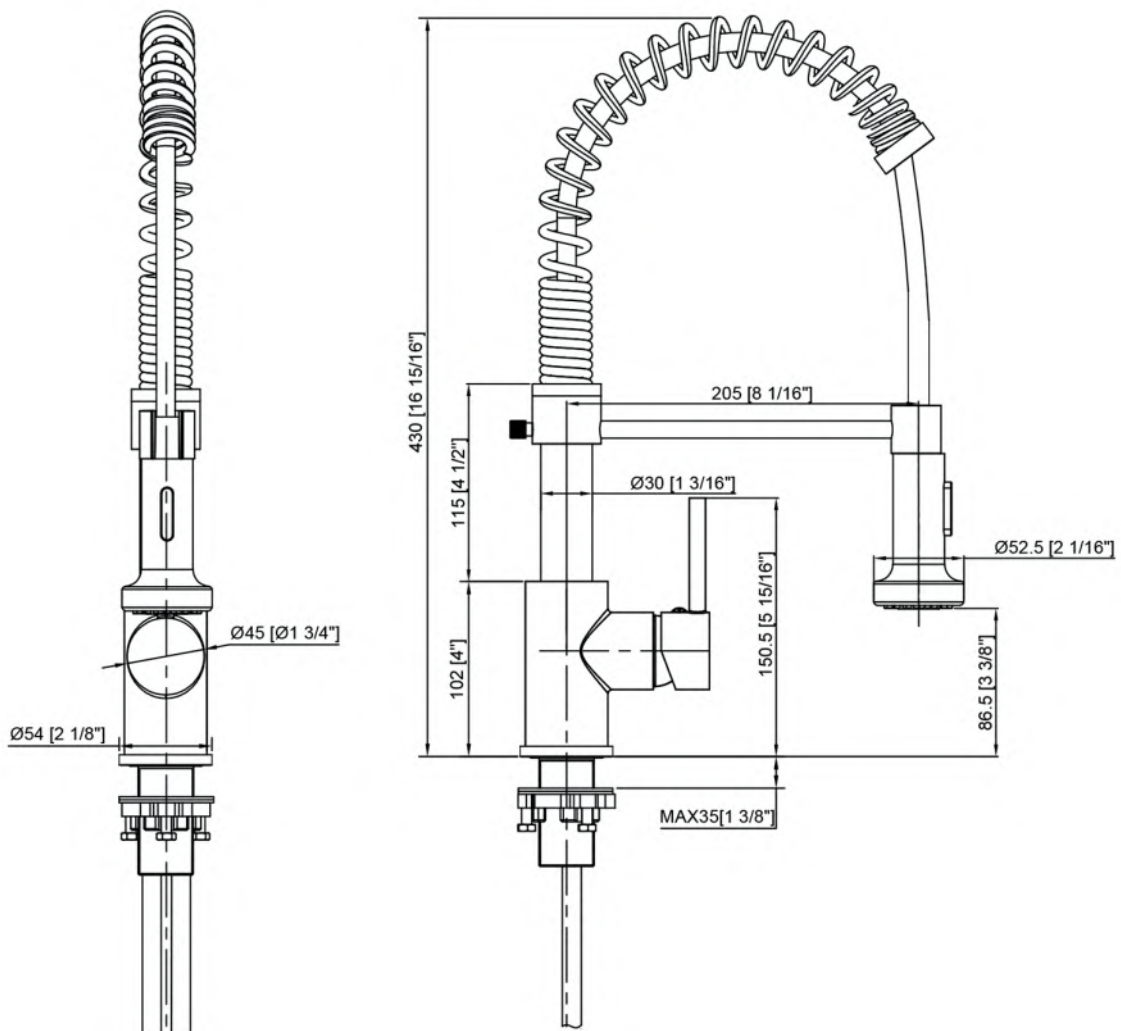


AVAILABLE IN: BLACK/ CHROME

- Cold and hot water function
- Lead free brass material
- Ceramic cartridge: 500,000 times no leakage
- Max Flow rate: 2.2 gpm with pressure 60psi/413.4kpa
- Spout reach 8 1/16"
- Spout height 3 3/8"
- Hose reach: 40 inches
- Box Weight: 6.68lbs
- Box Measures: 23.5x12.8x3.1 inches

### INCLUDED IN THE BOX

- \*Faucet with supply hoses
- \*Brass Washer
- \*Brass Lock nut
- \*Optional 3-hole escutcheon/deckplate





Brüdermair

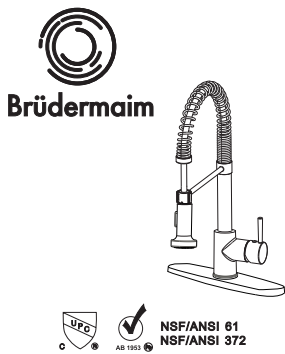
# Döretz<sub>/82H10</sub>

## One handle Pull Down Kitchen Faucet



AVAILABLE IN: BLACK/ CHROME

### Installation Instructions

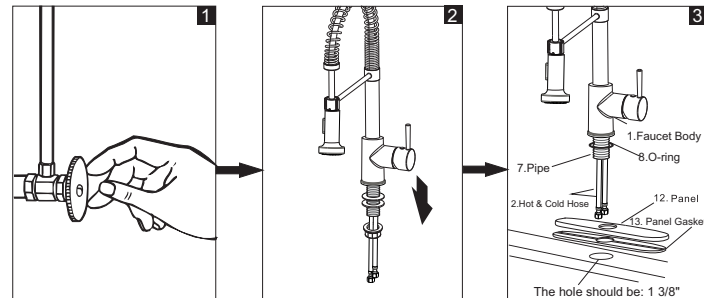


#### Single Handle Kitchen Faucet

Low Lead Brass Construction  
Ceramic Cartridge  
Easy Installation

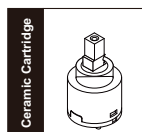
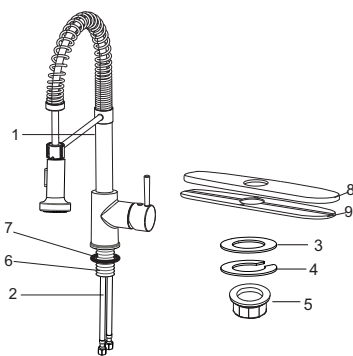


#### ASSEMBLY INSTRUCTIONS



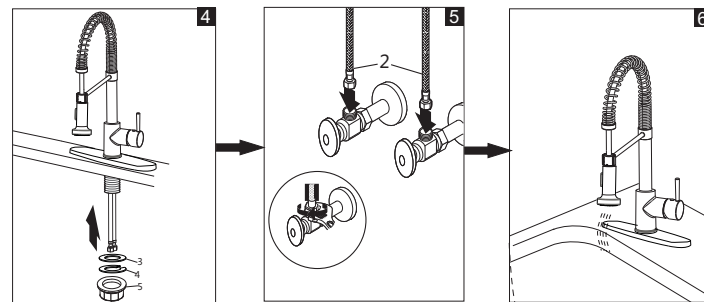
1. Shut off hot and cold water supply under sink. Remove old faucet.
2. Unscrew the pre-assembled washers(3,4) & lock nut(5) .
3. Position the faucet, panel and o-ring on the installation surface. And then put the faucet into center hole.

#### DIAGRAM AND PARTS LIST



- |                    |                 |
|--------------------|-----------------|
| 1. Faucet Body     | 6. Pipe         |
| 2. Hot & Cold Hose | 7. O-ring       |
| 3. Rubber Washer   | 8. Panel        |
| 4. Metal Washer    | 9. Panel Gasket |
| 5. Lock Nut        |                 |

10. Lock Nut



4. Screw rubber washer(3), metal washer(4) onto the pipe(6) under sink and screw with lock nut(5) .
5. Connect and tighten the supply hoses, then check for leaks.
6. Open the hot and cold water supplies. Check for leaks. Turn on faucet handle for one minute to flush debris from faucet.

#### RECOMMENDED TOOLS

