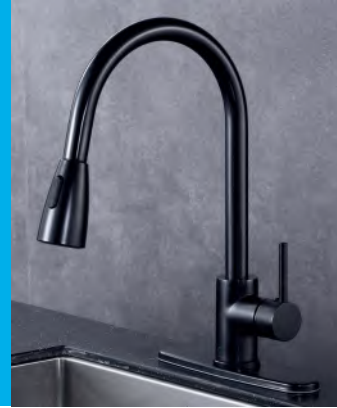




Brüdermair

Dahsnü_{/82H11}

One handle Pull Down Kitchen Faucet

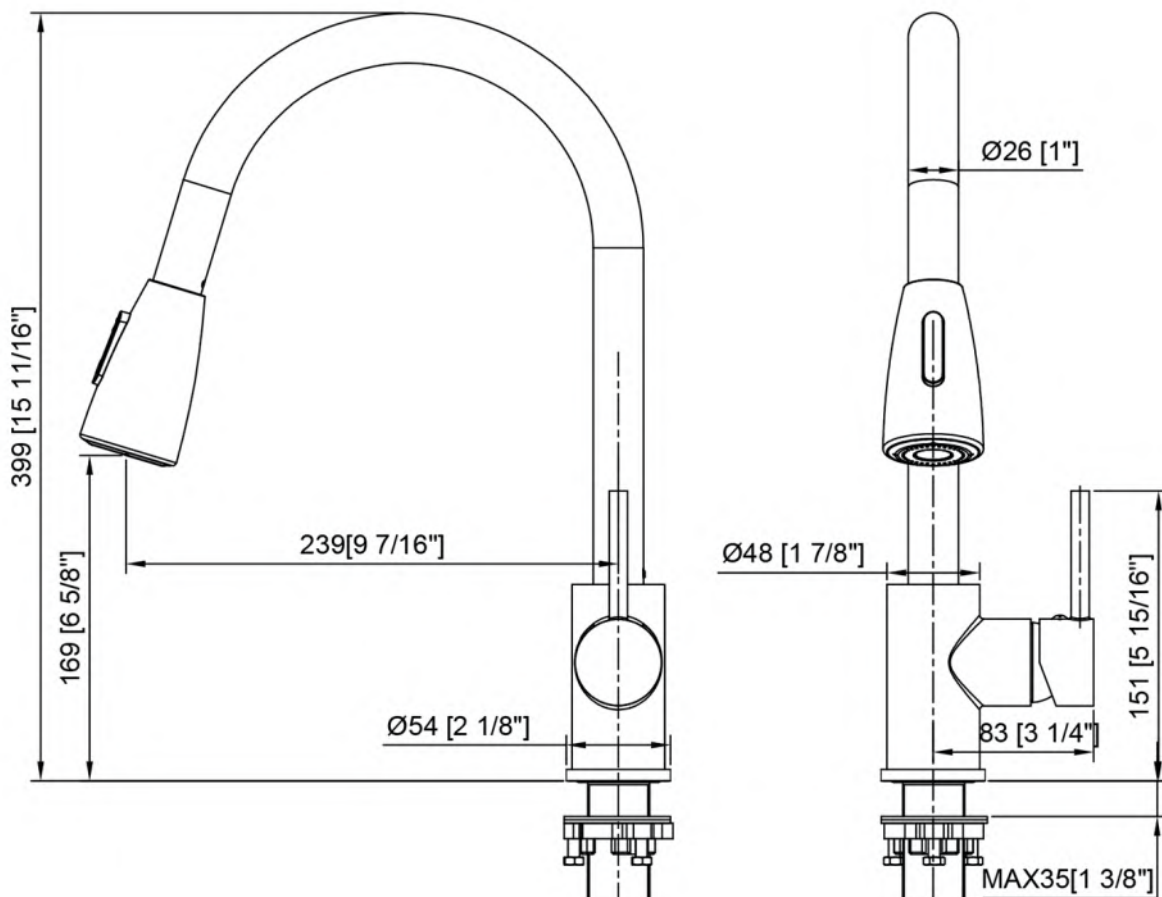


AVAILABLE IN: BLACK/ CHROME/ ORB

- Cold and hot water function
- Lead free brass material
- Ceramic cartridge: 500,000 times no leakage
- Max Flow rate: 2.2 gpm with pressure 60psi/413.4kpa
- Spout reach 9 7/16"
- Spout height 6 5/8"
- Hose reach: 40 inches
- Box Weight 6.43lbs
- Box Measures: 23.5x12.8x3.1 inches

INCLUDED IN THE BOX

- *Faucet with supply hoses
- *Brass Washer
- *Brass Lock nut
- *Optional 3-hole escutcheon/deckplate
- *Hose weight





Brüdermair

Dahsnü_{/82H11}

One handle Pull Down Kitchen Faucet

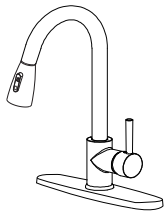


AVAILABLE IN: BLACK/ CHROME/ ORB

Installation Instructions



Brüdermair



Single Handle Kitchen Faucet With Pull-out Spray

Low Lead Brass Construction
Ceramic Cartridge
9/16" Water Inlet
Easy Installation

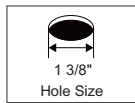
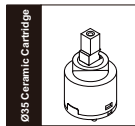
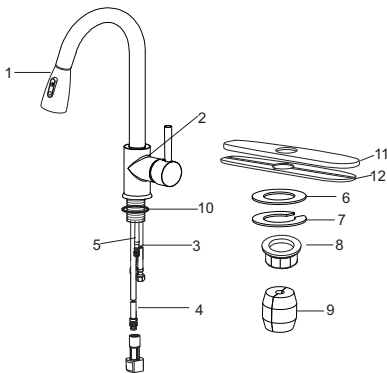


DIAGRAM AND PARTS LIST

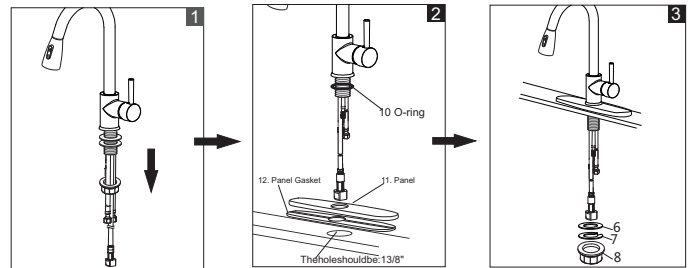


- | | |
|--------------------|------------------|
| 1. Spray Wand | 7. Metal Washer |
| 2. Faucet Body | 8. Lock Nut |
| 3. Hot & Cold Hose | 9. Weight |
| 4. Pull-down Hose | 10. O-ring |
| 5. Connector Hose | 11. Panel |
| 6. Rubber Washer | 12. Panel Gasket |

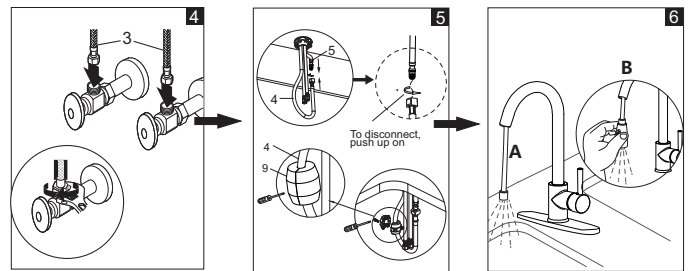
RECOMMENDED TOOLS



ASSEMBLY INSTRUCTIONS



1. Unscrew the pre-assembled washers(6,7) & lock nut(8) .
2. Position the faucet, panel and o-ring on the installation surface. And then put the faucet into center hole.
3. Screw rubber washer(6),metal washer(7) onto the pipe under sink and screw with lock nut(8).



4. Connect and tighten the supply hoses, then check for leaks.
5. Connect pull out hose (4) with quick connector (5). Assemble weight(9) and screws on the pull out hose (4).
- 6 (A) Unscrew spray wand(1) by anticlockwise direction, turn on water for 15 seconds to flush any debris.
(B) Afterwards install the spray wand and check for leakage.

