

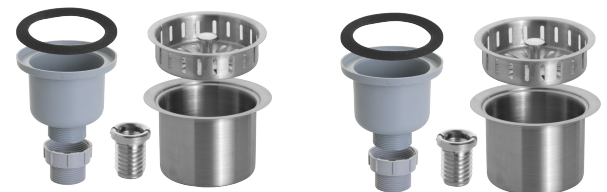
BMDISS-3322/DB

Drop In Stainless Steel
Laundry Utility Sink Double Bowl



Features

- 20 gauge stainless steel
- Premium 304 grade stainless steel
- Brushed Stainless finish - Easy to clean and long-lasting
- Heavy duty sound guard padding and undercoating



In the Box

- Sink
- 2x Basket Strainer drain assembly
- Cutout Template
- Mounting hardware

For the attention of the installer and customer

•For best results, BRÜDERMAIM recommends that the solid surface countertop cut-out should only be prepared by a professional fabricator, and undermount sinks should only be installed by a professional installer.

•The enclosed paper template represents BRÜDERMAIM recommended countertop cut-out specification and sink mounting style.

•Sink installation and countertop cut-out choices are not limited to BRÜDERMAIM specifications. Installer and customer must discuss these options, and reach an agreement on alternate countertop cut-out dimensions and sink installation methods prior to preparation of the countertop. BRÜDERMAIM will not be held responsible for alternate choices of sink installation and countertop cut-out.

•Sink may have sharp edges, please use caution when handling.

•Inspect the sink unit prior to installation to confirm acceptance. Do not install a damaged unit.

•BRÜDERMAIM is not responsible for any damage to sink or countertop incurred during installation.

•Please follow all local plumbing and building codes.

BMDISS-3322/DB

Drop In Stainless Steel

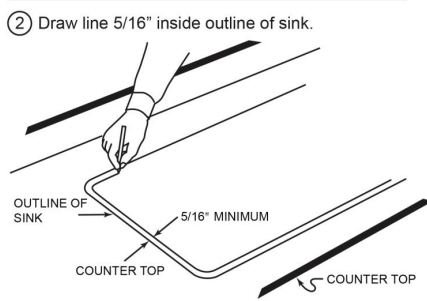
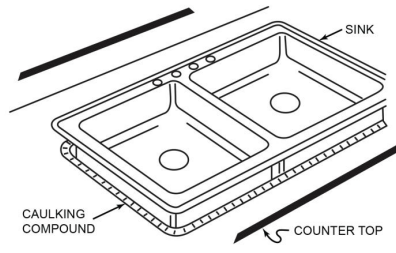
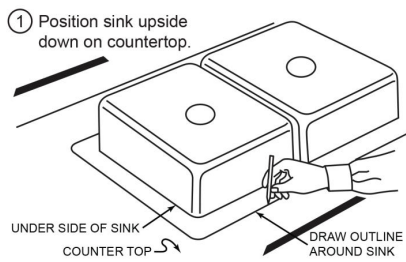
Laundry Utility Sink Double Bowl



Brüdermair™

Instruction for Installation

Care and maintenance



- ⑤ Mount faucet and drain(s) in place on sink and tighten per manufacturer's instructions.
- ⑥ Set sink in cutout.
- ⑦ Preassemble clamps, screws and plastic pads.
- ⑧ From underside – place clamp in center along each side and hand tighten to hold sink in place. Fasten balance of clamps along edges spaced approximately 3" from each end, and equally along front, back and sides. For countertops thicker than 3/4 up to 1-1/2", Elkay recommends using LK364.
- ⑨ From the top – check seal between sink edge and countertop. Adjust clamps if necessary.
- ⑩ Lightly tighten clamps evenly with screw driver or socket wrench until sink is perfectly tight to countertop.

CAUTION: Do not over tighten.

SATIN FINISH

original highlighted satin finish is produced by an abrasive grinding operation which lends a uniform pattern of satin finish lines to the metal surface. All exposed areas then undergo a series of progressive machine and hand polishing operations. It is this careful polishing that makes a satin luster finish so beautiful...and so easy to clean and maintain.

RECOMMENDED CLEANSERS

has tested general household cleansers to measure their effectiveness in cleaning stainless steel sinks. The most aggressive cleansers consist of Bar Keeper's Friend, Zud and Lawrence Right Work.

Other cleansers, which are still effective, but less aggressive include Ajax, Comet, Shiny Sinks Plus, Luneta, Soft Scrub, Mr.Clean, Maas and Flitz. The non-abrasive formula is safe and effective for day to day cleaning. So to help maintain the beautiful finish of your stainless steel sink, use one of the cleansers that recommends.

RECOMMENDATIONS FOR PROPER MAINTENANCE

- Do... Rinse thoroughly after each use. "Thorough" rinsing can be done by running water for a few minutes and rubbing the cleaned area with a clean sponge.
- Do...Towel dry after each use to prevent mineral deposits from building upon the surface of the sink.
- Do...Clean the sink once a week, being sure to rub in the direction of the satin finish grain lines, using an recommended cleanser.
- Do Use a bottom grid or rinsing basket to "protect" the finish. Bottom grids and rinsing baskets can remain in the sink and will not cause rusting or pitting.
- Do Not... Rub the sink across the satin finish lines. Scouring across the satin finish lines can damage the original sink finish.
- Do Not... Allow soap or other household cleansers to dry on the surface of the sink. Most brands contain chemical additives which will affect the original finish.
- Do Not... Use a steel wool pad to clean your sink. If a more abra- sive product is needed, use a green Scotch Brite pad being sure to rub in the direction of the satin finish grain lines. Steel wool pads have a tendency to break apart and small particles of steel can become embedded in the surface of the sink. The steel particles will rust and will give the appearance that the sink itself is rusting.

•Do Not... Use rubber mats or dishpans in the sink. Leaving rubber mats or dishpans in the sink can lead to surface rust or possible pitting. However, if you insist on using mats or dishpans, please remove the mat after each use and rinse thoroughly.

•Do Not... Leave wet sponges, cloths, or cleaning pads on the sink. This can lead to surface rust.

Following these recommendations for the care and cleaning of your stainless steel sink will insure that it will provide you with many years of service.

CHLORIDES

Today, chlorides are found in most all soap, detergents, bleaches and cleansers; chlorides can be aggressive to stainless steel.

However, chlorides are very water soluble. Therefore, THOROUGH RINSING of your sink after each use to remove any chloride residue and a weekly cleaning is all that is required to keep your sink looking bright and shiny.

SCRATCHES

Like many metallic surfaces, your stainless steel sink will scratch. These are merely usage scratches and overtime will blend into the overall finish of your sink with proper cleaning.

KNIVES

Your sink is designed to serve as many things but not as a cutting board or chopping block. This type of use will lead to deep scratches in the sink finish and will dull our knives. does offer various cutting boards which will provide an additional work area.

WATER QUALITY

The quality of your water can affect your sink's appearance. If your water has a high iron content, a brown surface stain can form on the sink giving the appearance of rust. Additionally, in areas with a high concentration of minerals, or with over-softened water, a white film may develop on the sink. To combat these problems, we suggest that the sink be towel dried after use, and again, on a weekly basis, the sink should be cleaned using a recommended cleanser.

FOODS

Heavy salt concentration or foods containing high levels of salt should not be allowed to dry on the sink surface. Rinse your sink thoroughly after use.

Brüdermair Limited Lifetime Warranty

This product has been manufactured and inspected to the highest possible quality standards.

Brüdermair sinks carry a limited lifetime warranty for residential use.

Should you experience any defects in materials or workmanship within the warranty period, we will repair or replace the defective product, subject to the following conditions:

- Any claim made under this warranty must include a copy of a valid proof of purchase showing the date and place of purchase.
- Our obligation under this warranty is to the original purchaser only, and may not be transferred.
- Product replacement does not include shipping costs or labor installation costs.
- This warranty applies to residential installations only.
- Brüdermair reserves the right to examine product in question and its installation prior to replacement.
- If an identical replacement product is not available, Brüdermair reserves the right to replace the defective product with a similar product.

NOTE: Accessories such as rinse grids, cutting boards, strainers are not covered by this warranty.

www.brudermaid.com

This warranty relates to defects in manufacture, materials or workmanship in a Brüdermair stainless steel kitchen sink supplied for installation into domestic premises in the United States. It does not extend to:

- Damage resulting from failure to maintain the product in accordance with the Care and Maintenance instructions in this manual.
- Normal wear and tear, scratches or accidental damage.
- Faults arising from improper use and/or installation.
- Defects in accessories, strainers and rinse grids.

All incidental or consequential damages are specifically excluded. No additional warranties, express or implied are given, including but not limited to, any implied warranty of merchantability or fitness for a particular purpose.

Some states do not allow the exclusion or limitation of incidental or consequential damages or limitations on how long an implied warranty lasts, so the above limitations or exclusions may not apply to you.

This warranty gives you specific legal rights, and you may also have other rights which vary from state to state.



Brüdermair™
REV. 11/20