

BMFHSS-3225/SB

Farmhouse Stainless Steel Laundry Utility Sink Single Bowl



Brüdermair™

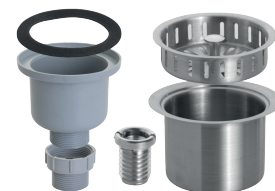
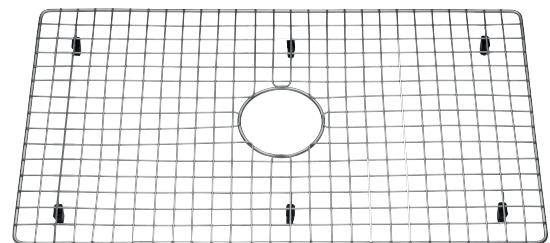
Features

- 16 gauge stainless steel
- Premium 304 grade stainless steel
- Brushed Stainless finish - Easy to clean and long-lasting
- Heavy duty sound guard padding and undercoating
- Slanted bottom with elegant drain grooves for easy draining



In the Box

- Sink
- Basket Strainer drain assembly
- Cutout Template
- Mounting hardware
- Bottom Grid



For the attention of the installer and customer

•For best results, BRÜDERMAIM recommends that the solid surface countertop cut-out should only be prepared by a professional fabricator, and undermount sinks should only be installed by a professional installer.

•The enclosed paper template represents BRÜDERMAIM recommended countertop cut-out specification and sink mounting style.

•Sink installation and countertop cut-out choices are not limited to BRÜDERMAIM specifications. Installer and customer must discuss these options, and reach an agreement on alternate countertop cut-out dimensions and sink installation methods prior to preparation of the countertop. BRÜDERMAIM will not be held responsible for alternate choices of sink installation and countertop cut-out.

•Sink may have sharp edges, please use caution when handling.

•Inspect the sink unit prior to installation to confirm acceptance. Do not install a damaged unit.

•BRÜDERMAIM is not responsible for any damage to sink or countertop incurred during installation.

•Please follow all local plumbing and building codes.

BMFHSS-3225/SB

Farmhouse Stainless Steel Laundry Utility Sink Single Bowl



Brüdermair™

Care and maintenance

DO NOT

- Leave standing water in the sink. Keep the sink clog-free at all times
- Use abrasive cleaning materials such as steel wool that may scratch the surface
- Use industrial grade or acid-based cleaning solutions that can damage the sink's Surface or finish
- Leave corrosive or rust-prone materials such as metal utensils or cookware for long periods of time in the sink.
- Leave any cleaning materials or household cleaning agents or bleach for long periods of time in the Sink
- Leave water spots on the sink Clean and towel-dry the sink after every use
- Use a sharp object Such as a knife directly or indirectly on the sink
- Rub or scrub against the direction of the grain lines on the Sink

CLEANING

- Clean the sink daily using mild soap and warm water. Wipe the sink dry after every use. Rub lightly in the direction of the grain lines.
- Use a mixture of vinegar and water if you find mineral deposits on the sink Rinse the sink thoroughly if vinegar or other cleaning solutions are used
- Stubborn stains may be removed using mild abrasive cleaners such as Bar Keepers Friend

Brüdermair Limited Lifetime Warranty

This product has been manufactured and inspected to the highest possible quality standards.

Brüdermair sinks carry a limited lifetime warranty for residential use.

Should you experience any defects in materials or workmanship within the warranty period, we will repair or replace the defective product, subject to the following conditions:

- Any claim made under this warranty must include a copy of a valid proof of purchase showing the date and place of purchase.
- Our obligation under this warranty is to the original purchaser only, and may not be transferred.
- Product replacement does not include shipping costs or labor installation costs.
- This warranty applies to residential installations only.
- Brüdermair reserves the right to examine product in question and its installation prior to replacement.
- If an identical replacement product is not available, Brüdermair reserves the right to replace the defective product with a similar product.

NOTE: Accessories such as rinse grids, cutting boards, strainers are not covered by this warranty.

This warranty relates to defects in manufacture, materials or workmanship in a Brüdermair stainless steel kitchen sink supplied for installation into domestic premises in the United States. It does not extend to:

- Damage resulting from failure to maintain the product in accordance with the Care and Maintenance instructions in this manual.
- Normal wear and tear, scratches or accidental damage.
- Faults arising from improper use and/or installation.
- Defects in accessories, strainers and rinse grids.

All incidental or consequential damages are specifically excluded. No additional warranties, express or implied are given, including but not limited to, any implied warranty of merchantability or fitness for a particular purpose.

Some states do not allow the exclusion or limitation of incidental or consequential damages or limitations on how long an implied warranty lasts, so the above limitations or exclusions may not apply to you.

This warranty gives you specific legal rights, and you may also have other rights which vary from state to state.

BMFHSS-3225/SB

Farmhouse Stainless Steel
Laundry Utility Sink Single Bowl



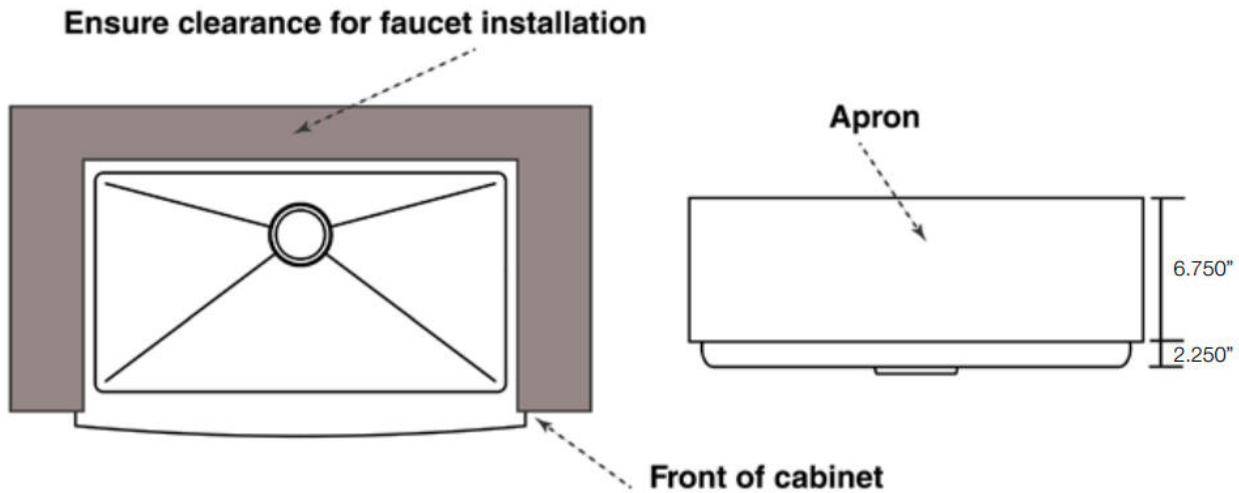
Brüdermair™

Installation

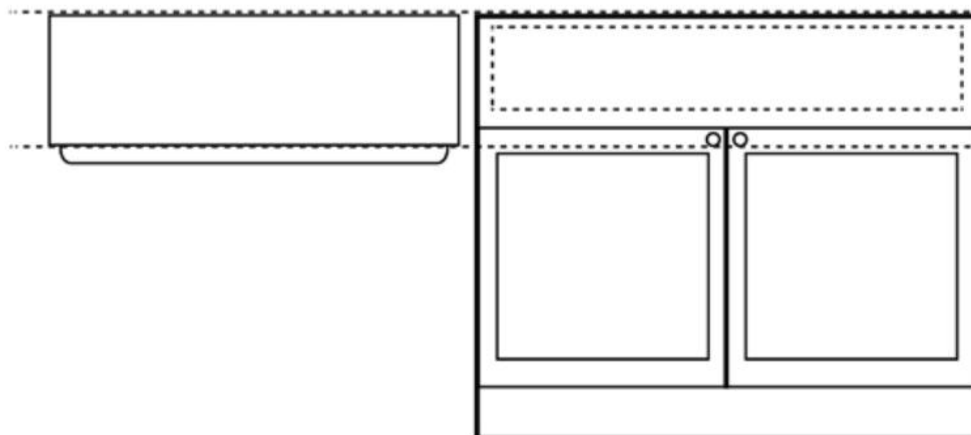
Roughing-In

Minimum Standard cabinet Size required

Sink Size	Minimum Cabinet Size
32"	32"



Note: Please consider these details before you choose your cabinet, for standard size cabinet modifications may be required.



BMFHSS-3225/SB

Farmhouse Stainless Steel
Laundry Utility Sink Single Bowl



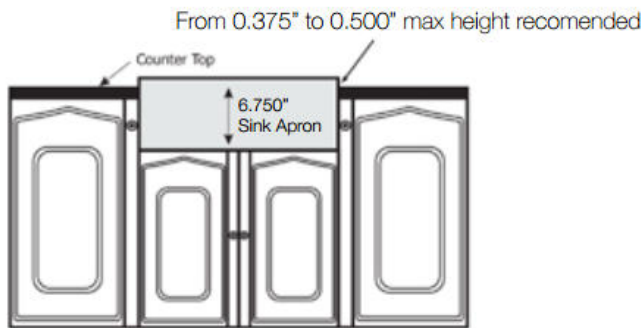
Installation

Please Note:

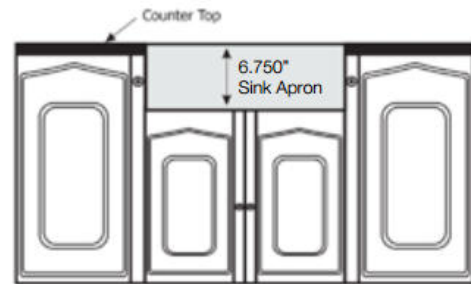
The step-by-step guideline below is a general reference for installing Farmhouse Sink. Please keep in mind that this is a custom installation.

STEP 1: Choose your Mounting Style

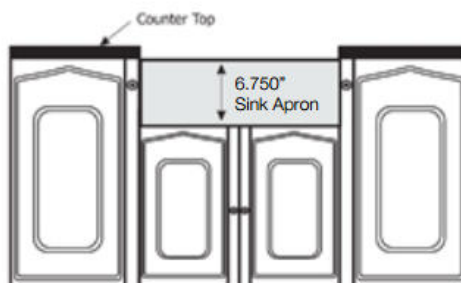
Built-Up



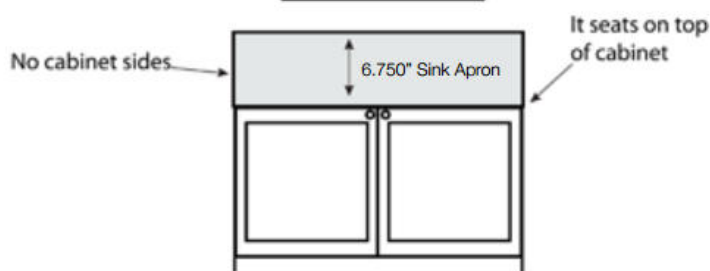
Flush



Undermount

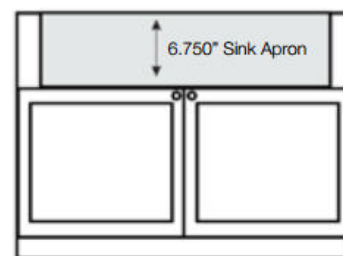


Drop On



Cabinet sides modification required for Drop On.

Drop In



BMFHSS-3225/SB

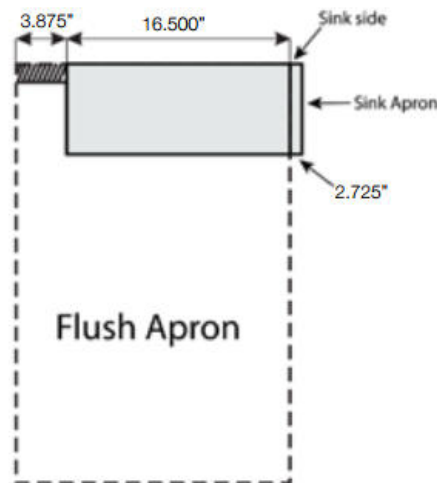
Farmhouse Stainless Steel
Laundry Utility Sink Single Bowl



Brüdermair™

Installation

Apron Reveal Options



STEP 2: Measures for Supports

Measure the "true" height of the sink, from where the top aligns with the countertop surface to the bottom of the sink's sides, which will rest on the supports. Transfer this measurement to the interior cabinet sides and mark a level line from back to front. This is where the supports will be added to carry the weight of the sink.

STEP 3: Install the Supports

There are many ways to install the supports on the cabinet, the main task is to create a support frame inside the base that the sink will sit upon.

We recommend the use of 2x4 solid wood studs to create the support frame. The frame should be strong enough to hold up to 300 lbs. of weight once installed.

The support frame should be positioned so that the top of the sink is level and flush with surface of the cabinet perimeter.

Make sure that the support frame leaves room for the drains, faucet water lines and if there is one, a garbage disposal.

On each cabinet side, install 2x4 supports. Position the tops of the supports so that they are even with the level lines. Use construction adhesive and 1-5/8" square-drive deck screws to attach the supports. First, apply the adhesive then clamp the supports firmly in place, then drive the screws through the cabinet sides into each support.

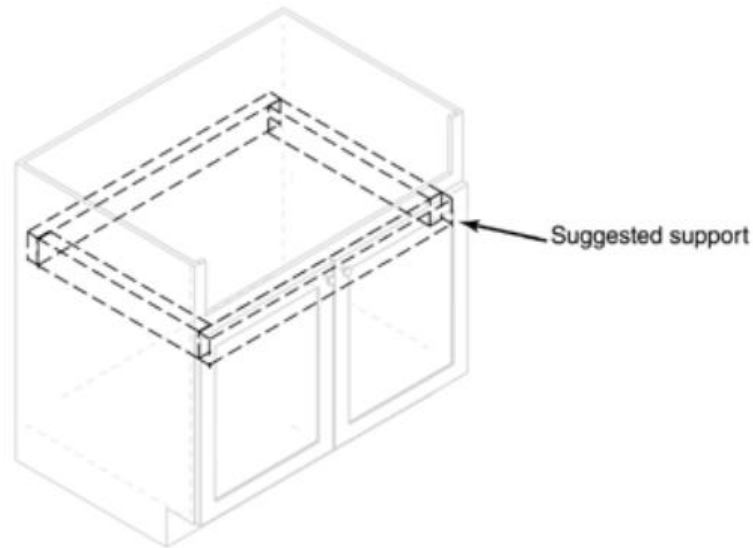
Note: While the above method for supports is suggested, a professional plumber may use his discretion for methods available to him.

BMFHSS-3225/SB

Farmhouse Stainless Steel
Laundry Utility Sink Single Bowl

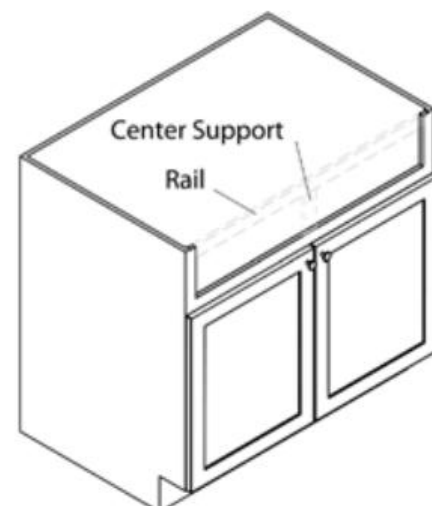
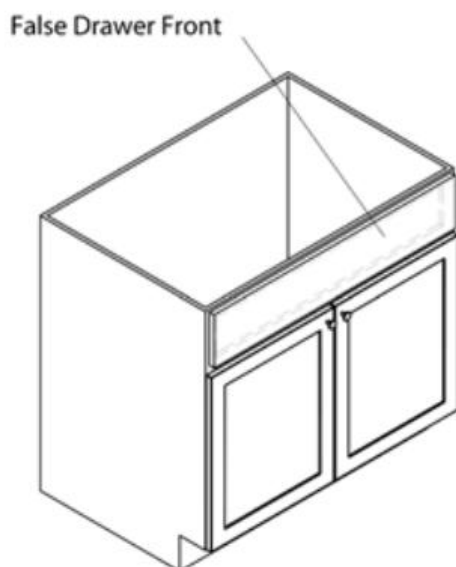


Installation



STEP 4: Cut the Cabinet Front

Measure the height of the sink front, and add 1/8" to this dimension when you mark the base cabinet front cutout. This allows the sink to rest just above the cut edge, without being supported by it. Depending on your base cabinet, it may be necessary to remove the doors and replace them with smaller doors. Use a jig saw to cut out the sink-front opening.



BMFHSS-3225/SB

Farmhouse Stainless Steel

Laundry Utility Sink Single Bowl



Brüdermaim™

Installation

STEP 5: Install the Sink

Test-fit the sink in the opening. The entire weight of the sink should be carried by the side supports. Check that the sink is level from side to side and front to back. If necessary, add tapered wood shims to adjust.

Install the sink and use silicone caulk to fill in the gaps below the sink front, and between the sink and countertop.

