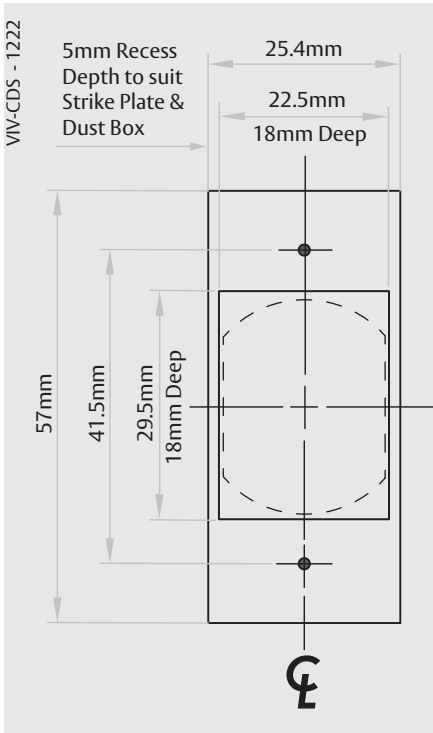
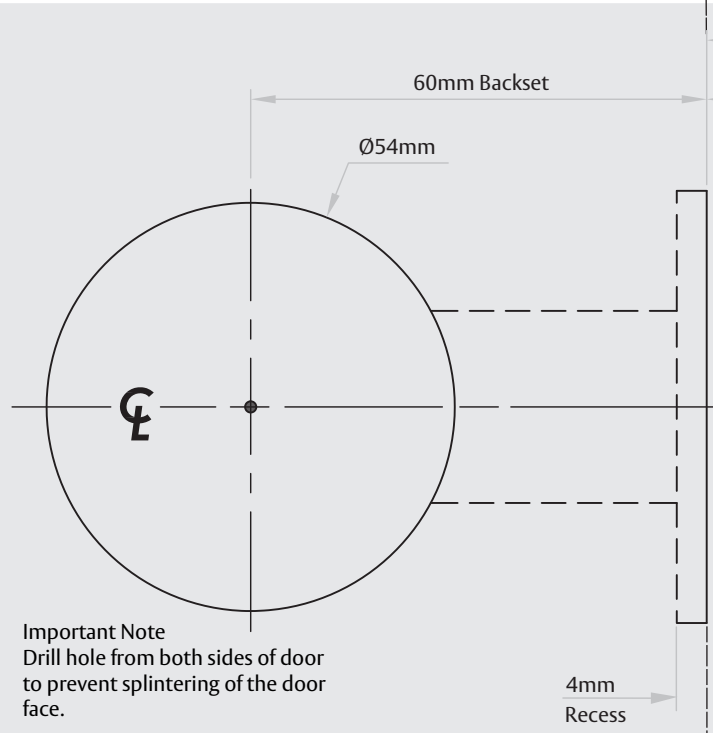


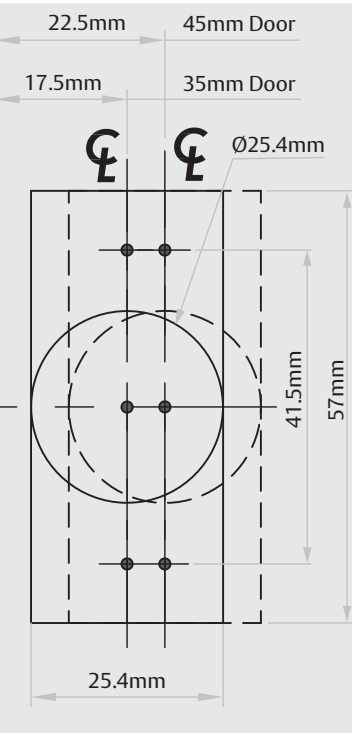
Privacy set strike template



Door and pull preparation template



Fold here on door edge

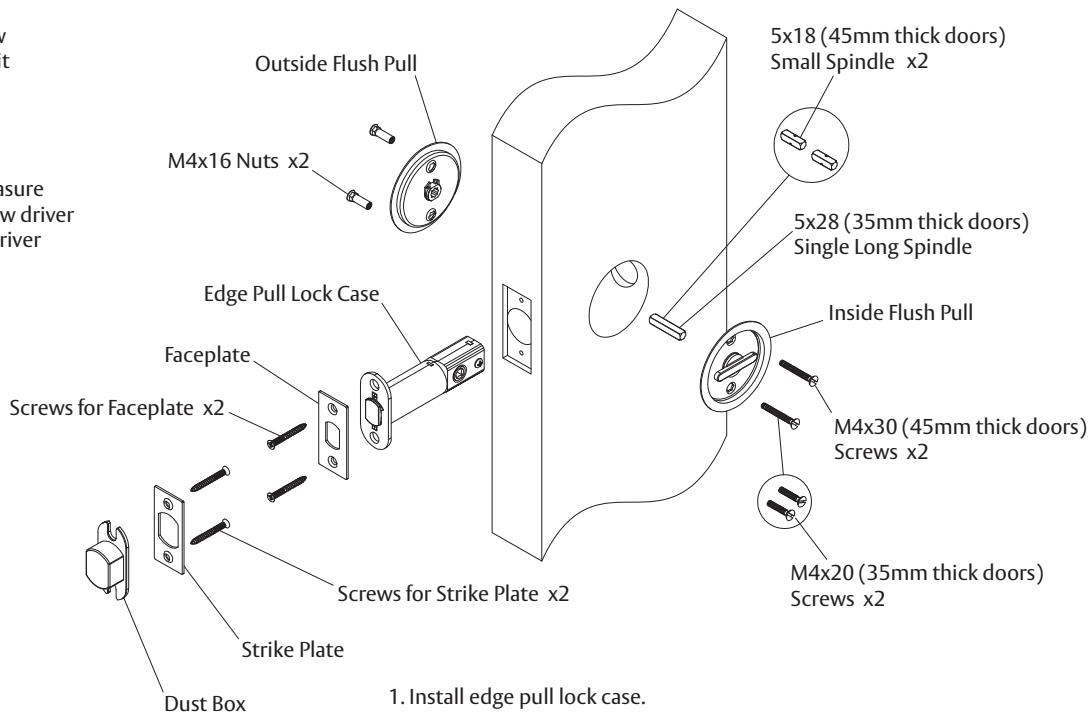


Privacy Set door and strike preparation and pull installation

Fold here on door edge

Tools Required

- Ø54mm Hole saw
- Ø25mm Spade bit
- Ø2mm Drill bit
- Power drill
- 25mm Chisel
- Pencil
- Ruler or tape measure
- Phillips head screw driver
- Flat head screw driver



1. Install edge pull lock case.
2. Mount faceplate with screws.
3. Install spindle. For 35mm door thickness, please use single long spindle. For 45mm door thickness please use both small spindles.
4. Install outside flush pull with coin release and install the spindle into the thumb-turn hub.
5. Install inside flush pull and make sure spindle is in the thumb-turn recess.
6. Install outside nuts.
7. Install inside screws. Use proper screws based on the door thickness. (Do not use power tools for trim screw installation.)
8. Install the dust box.
9. Install the strike plate with screws.

