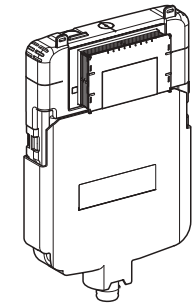
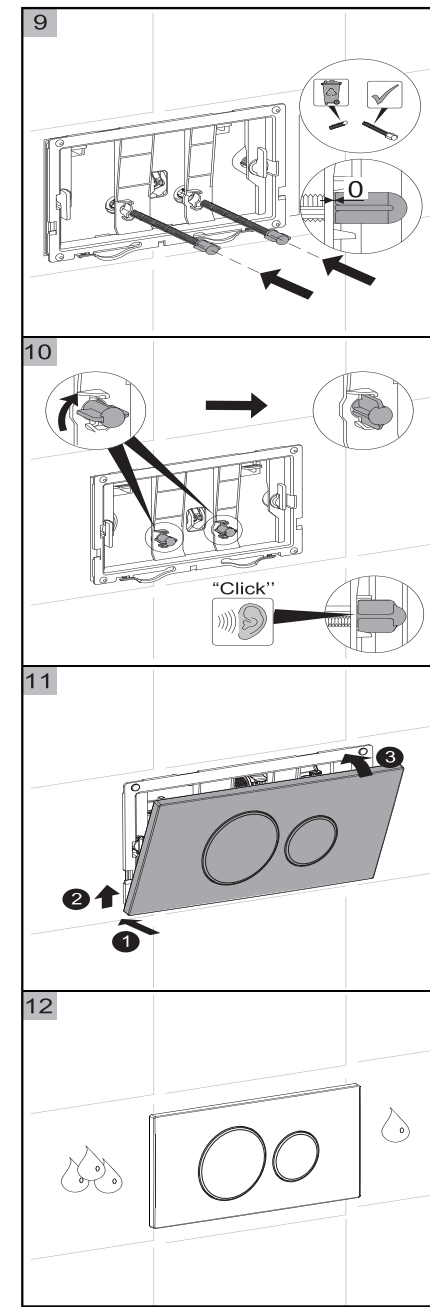
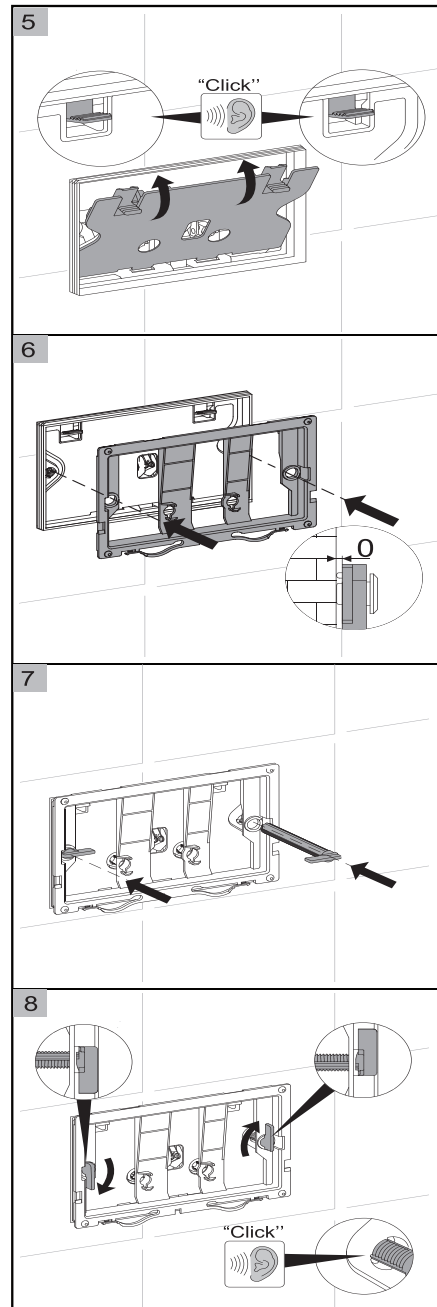
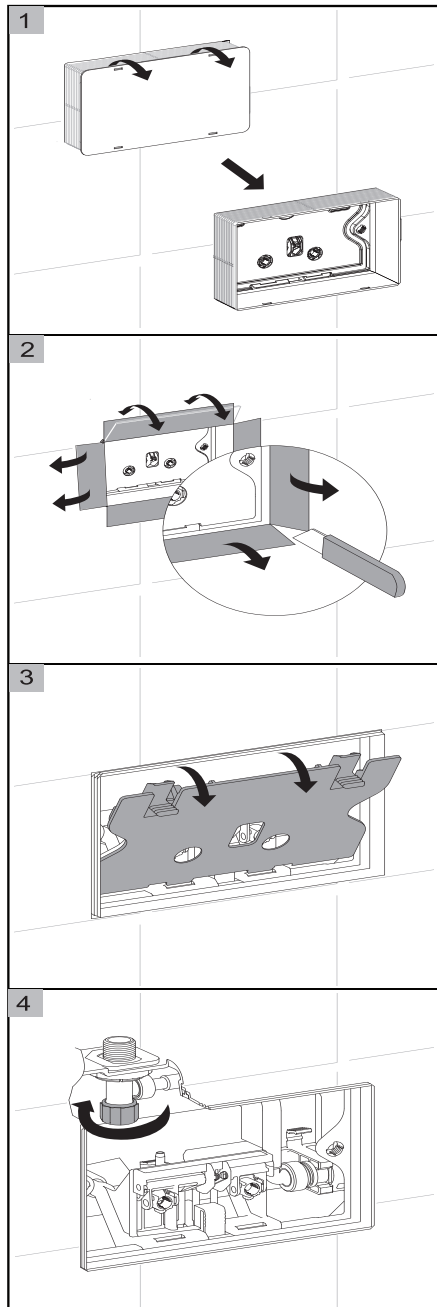


# Flush Buttons.

## Installation

Products in this manual must by regulation be installed by licensed and registered trade people.

For use with Sigma 8 concealed cisterns.



1. Cut plastic tabs from button housing.
2. Fold back and trim.
3. Remove cistern plate by pressing clips.
4. Turn valve on, flush out debris if required (refer to cistern instructions)
5. Refit cistern plate, this should click into place.
6. Line up internal button plate with holes in cistern.
7. Insert the lock threads through the holes.
8. When plate is in place, lock threads clockwise until they click.
9. Fit rounded button threads into flush valve through holes in internal plate (discard any offcut)
10. Turn threads clockwise until they click.
11. Fit button face by inserting from bottom of internal plate, pulling upward and clicking top in.
12. Wipe clean with warm soapy water (do not use chemicals)