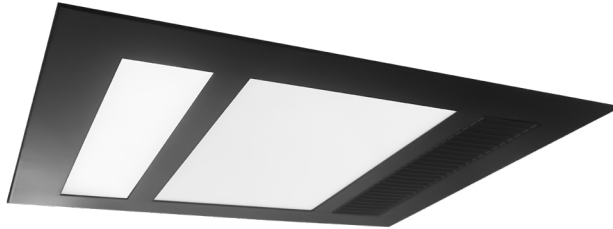


60W 3-IN-1 BATHROOM HEATER

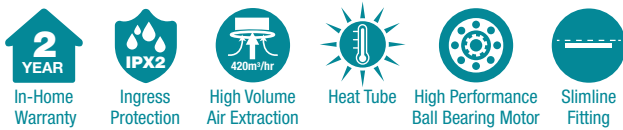


Model Numbers

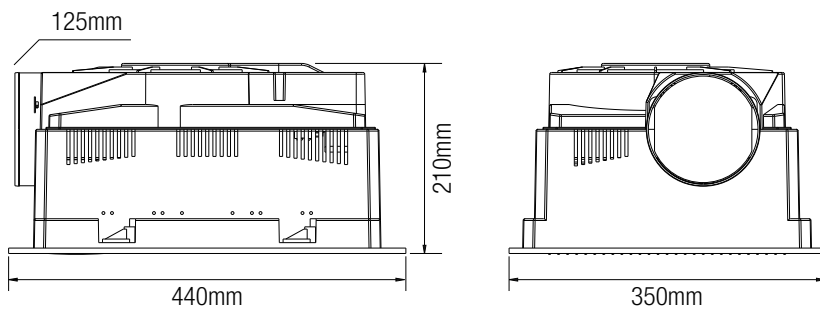
MBHPM1000M
MBHPM1000W

Features

- 2 year in-home warranty
- Sleek and low profile designed to suit any small to medium bathroom application
- 3-in-1 bathroom heater features tricolour LED panel with heat tube
- Polypropylene (PP) housing, aluminium fascia with frosted white Schott glass
- Built in thermal overload protection
- Back draft stopper included
- Cut-out template included
- Compatible with Martec bathroom remote MBHREM (not included)



DIMENSIONS



Aust/NZ Approval No.

SHIPPING

Model Numbers	Carton Size			Carton Quantity	Carton Gross Weight (Kg)
	H (mm)	W (mm)	L (mm)		
MBHPM1000M	250	400	550	2	9kg
MBHPM1000W	250	400	550	2	9kg

INSTALLATION

Installation	By licensed electrician only
Warranty	2 year in-home warranty

*For further information regarding warranty terms and conditions, please refer to enclosed warranty statement. Warranty is void unless installed by a licensed electrician.

SPECIFICATIONS

Model Name	Phoenix Mini
Model Numbers	MBHPM1000M Matt Black MBHPM1000W White
Air Extraction m³/hr	420m ³ /hr
Exhaust Fan Wattage	60W
Voltage / Frequency	220-240Va.c. 50-60Hz
Materials / Housing	Polypropylene (PP) housing
Cutout Size	390 x 325mm
Decibel Rating	≤40dB
Heating Wattage / Type	1x 1000W R7s heat tube 238mm
Lighting Wattage / Type	10W LED
Colour Temperature	3000K / 4000K / 5000K
Lumens Output	800lm
Minimum Ceiling Depth	220mm
Ducting Size	125mm
Accessories Included	1x 1.5m duct 2x clips for ducting 1x external grille 1x 3 gang switch wall controller

AVAILABLE COLOURS



Model	Colour	Barcode
MBHPM1000M	Matt Black	9 312375 507024
MBHPM1000W	White	9 312375 507017