

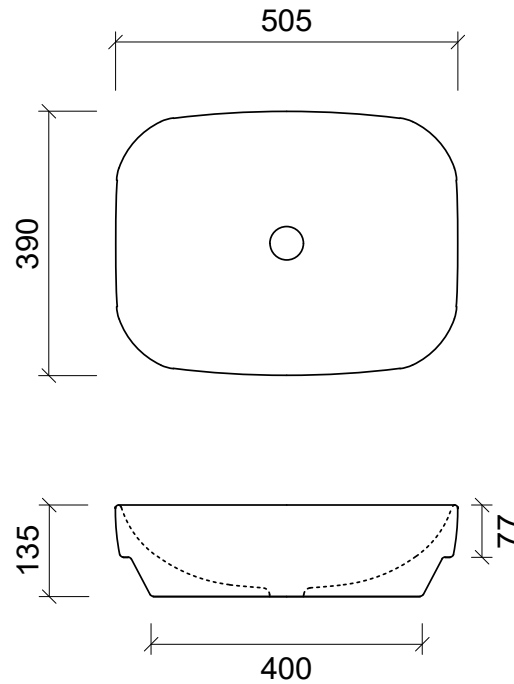
## Lorenzo

**WG** White Gloss  
LOR-BS-500-WG-S

**WM** White Matt  
LOR-BS-500-WM-U



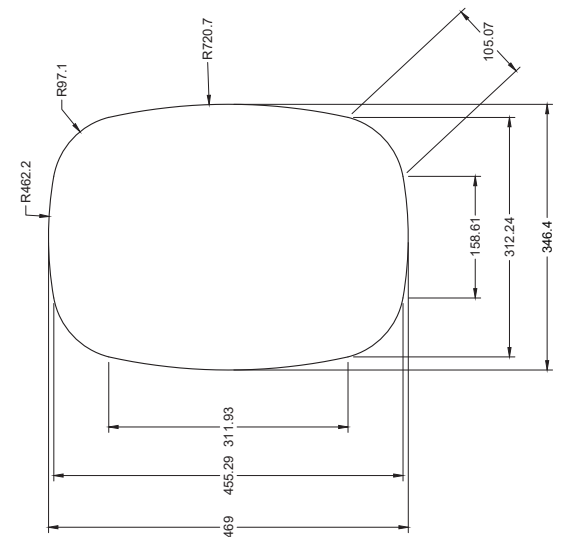
Inset



Drawings

### Taphole Offset

**Note:** Offset or wall mounted tapware required.



Cut Out Specifications

**Approx Capacity:** 11L

**Cut Out Size:** 470w x 346d

**Waste Size:** 32mm without overflow

**Note:** Due to the manufacturing process, ceramic basins will vary from their nominal stated sizes. Use the dimensions provided as a guide only. Waste not included. Refer to brochure for pricing.