



Resin[®]
TEAK

CLASSIC ADIRONDACK
ROCKING CHAIR

Care Instructions

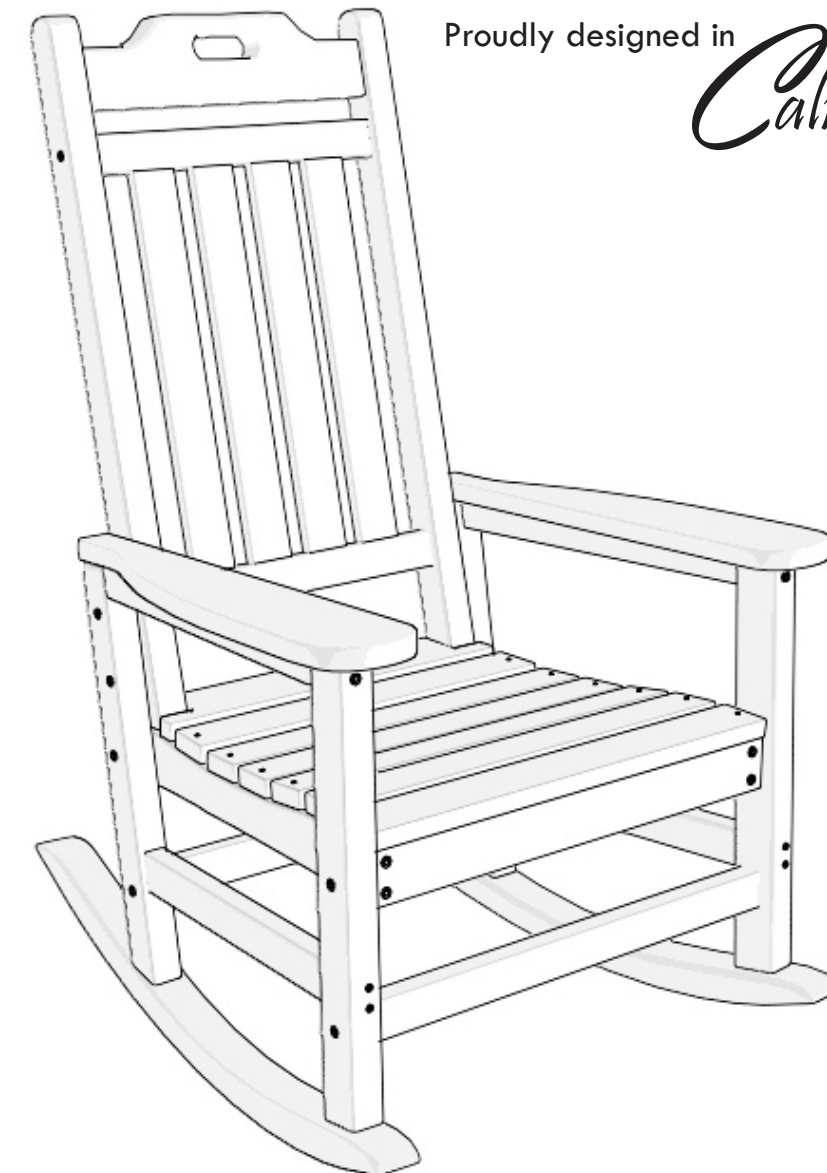
ResinTeak furniture is manufactured to be easy to maintain only require periodic cleaning with mild soap and water. To clean; mix a 3 (warm water) to 1 (mild soap) ratio in a bucket and with a stiff bristle brush gently scrub in the direction of the grain; removing any accumulated dirt, grease, surface stains and/or dust from the ResinTeak surface.

Warranty

Your ResinTeak furniture includes an industry surpassing Limited Lifetime Warranty. Please review full warranty details and register your product via www.resinteak.com/warranty

Thank You for choosing ResinTeak

We are certain that our eco-conscious plastic furniture will bring you many years of enjoyment. At ResinTeak™, we are determined to help reduce the impact harmful plastic pollution is taking on our planet, together with our production factories we are steadily increasing the use of recycled plastics in our furniture collections. We hope to further develop this technology advancement so our furniture production is comprised of 100% recycled plastics without the need for raw virgin materials or compromising the integrity of form, function, and beauty that our furniture is known for.



Proudly designed in
California

California Based, Service You Can Count on.



949.316.0010



support@resinteak.com

Monday-Friday 9:00am to 5:00pm PST



Resin[®]
TEAK



Scan QR Code for Installation Video

RTRCK-NCLS

For your safety and the safety of others, please read all the instructions and warnings in this manual carefully.

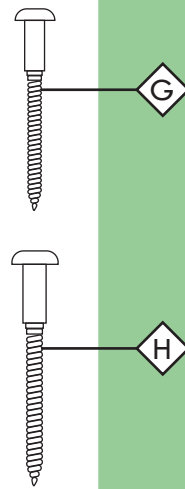
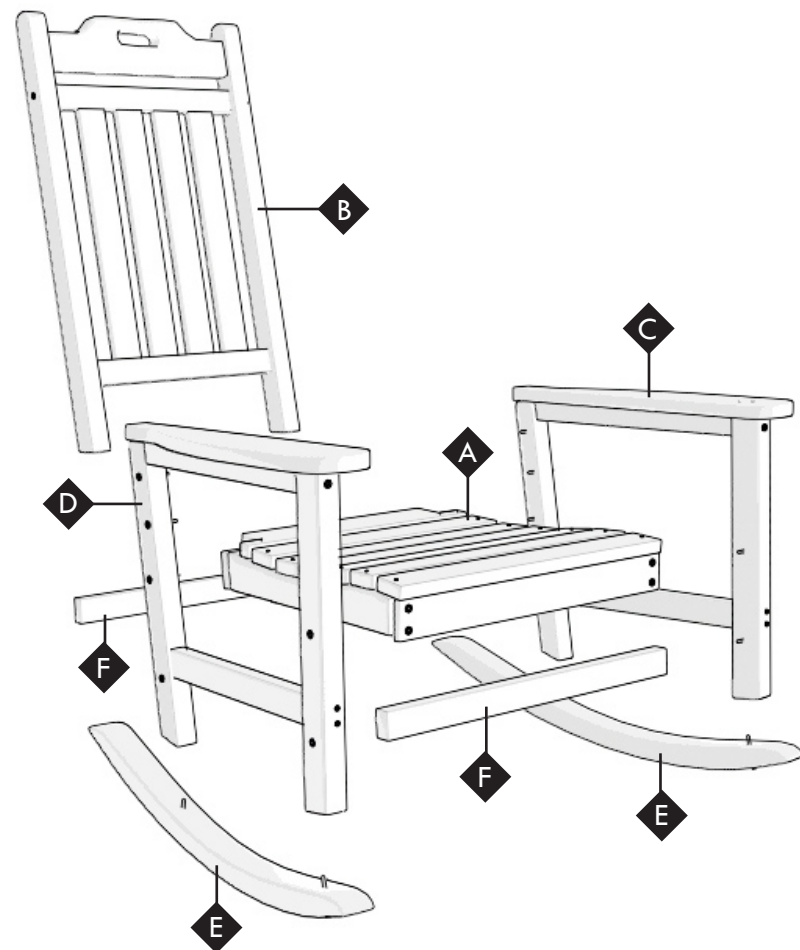


Assembly Instructions

This Package will contain small sharp parts/tools/hardware – PLEASE KEEP AWAY FROM CHILDREN.

- Read through the assembly instructions fully before beginning.
- Check that all listed parts and hardware are included before beginning assembly.
- Avoid accidentally discarding small parts – DO NOT discard packaging until assembly is complete.
- To Avoid personal injury and/or damage to product - Use CAUTION & CARE when lifting.
- Assembly time is approximately 20 minutes - Two adults are recommended to complete assembly.

• AVOID PERSONAL INJURY & DAMAGE TO PRODUCT – ENSURE TO LOCK ASSEMBLED CHAIR BEFORE USE
PLEASE SEE STEP 6 FOR FULL DETAILS

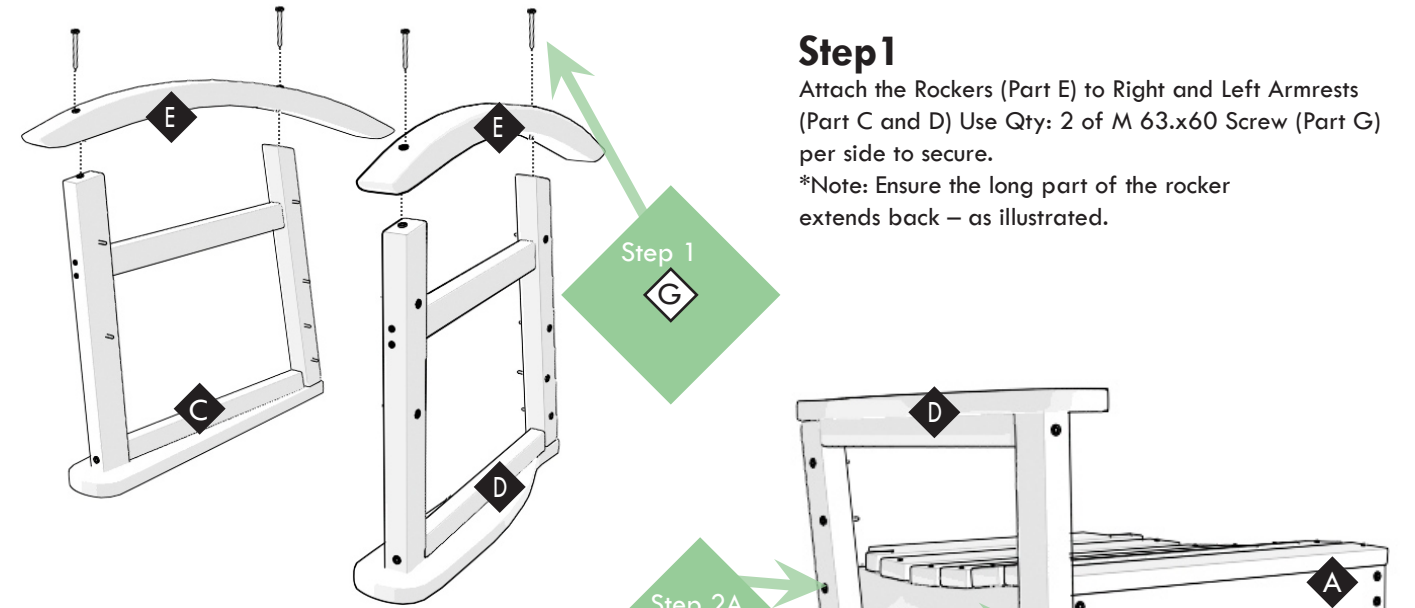


Assembly Tools Included

Package Contents

M6.3x80 Screw

Part	Part Name	Qty	Part	Part Name	Qty
A	Seat	1	G	M 63. x 60 Screw	12
B	Back	1	H	M 63. x 70 Screw	4
C	Left Leg + Armrest	1			
D	Right Leg + Armrest	1			
E	Rocker	2			
F	Support Brace Beam	2			



Step 1

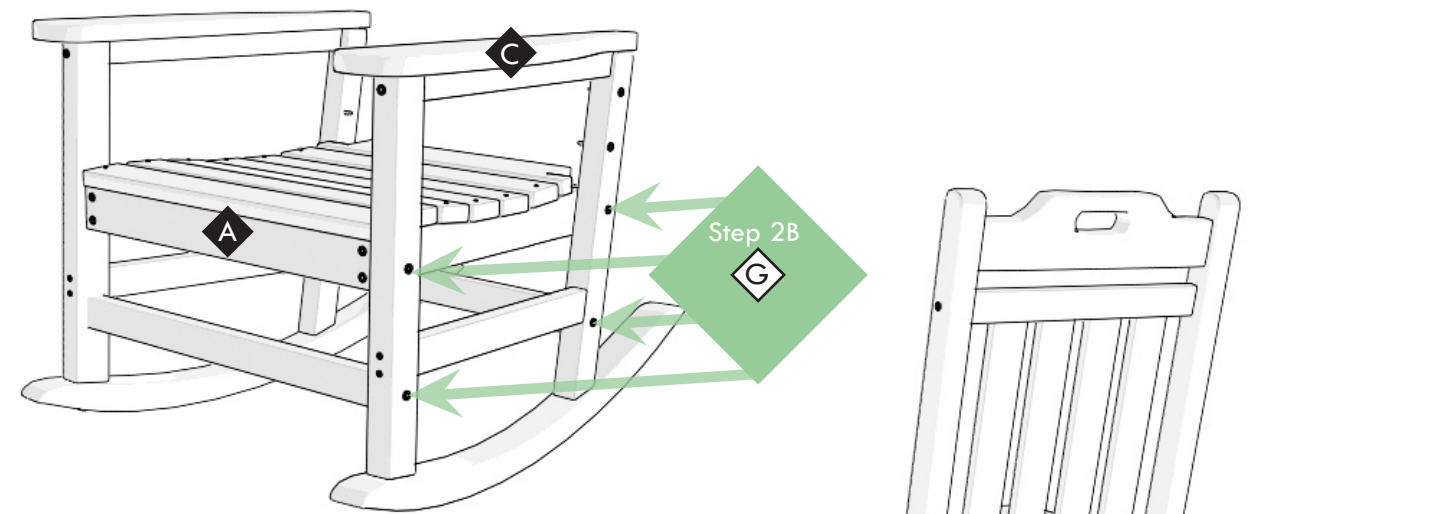
Attach the Rockers (Part E) to Right and Left Armrests (Part C and D) Use Qty: 2 of M 63.x60 Screw (Part G) per side to secure.

*Note: Ensure the long part of the rocker extends back – as illustrated.

Step 2

2A. Attach the Seat (Parts A) to Right Armrest (Part D) Use Qty: 2 of M 63.x60 Screw (Part G) per side to secure.

2B. Attach the Support Brace Beam (Part F) to Right Armrest (Part C) Use Qty: 2 of M 63.x60 Screw (Part G) per side to secure. And connect the Left Armrest (Part D), following the same steps 2A & 2B



Step 3

Attach the Back (Part B) to Right and Left Armrests (Part C and D) Use Qty: 2 of M 63.x70 Screw (Part H) per side to secure.

