



Resin[®]
TEAK

MODERN ADIRONDACK
ROCKING CHAIR

Care Instructions

ResinTeak furniture is manufactured to be easy to maintain only require periodic cleaning with mild soap and water. To clean; mix a 3 (warm water) to 1 (mild soap) ratio in a bucket and with a stiff bristle brush gently scrub in the direction of the grain; removing any accumulated dirt, grease, surface stains and/or dust from the ResinTeak surface.

Warranty

Your ResinTeak furniture includes an industry surpassing Limited Lifetime Warranty. Please review full warranty details and register your product via www.resinteak.com/warranty

Thank You for choosing ResinTeak

We are certain that our eco-conscious plastic furniture will bring you many years of enjoyment. At ResinTeak™, we are determined to help reduce the impact harmful plastic pollution is taking on our planet, together with our production factories we are steadily increasing the use of recycled plastics in our furniture collections. We hope to further develop this technology advancement so our furniture production is comprised of 100% recycled plastics without the need for raw virgin materials or compromising the integrity of form, function, and beauty that our furniture is known for.

Proudly designed in
California



California Based, ServiceYou Can Count on.



949.316.0010 support@resinteak.com
Monday-Friday 9:00am to 5:00pm PST



Resin[®]
TEAK



Scan QR Code for Installation Video

RTRCK-ADIMD

For your safety and the safety of others, please read all the instructions and warnings in this manual carefully.

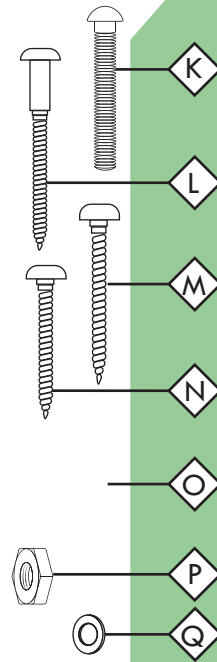
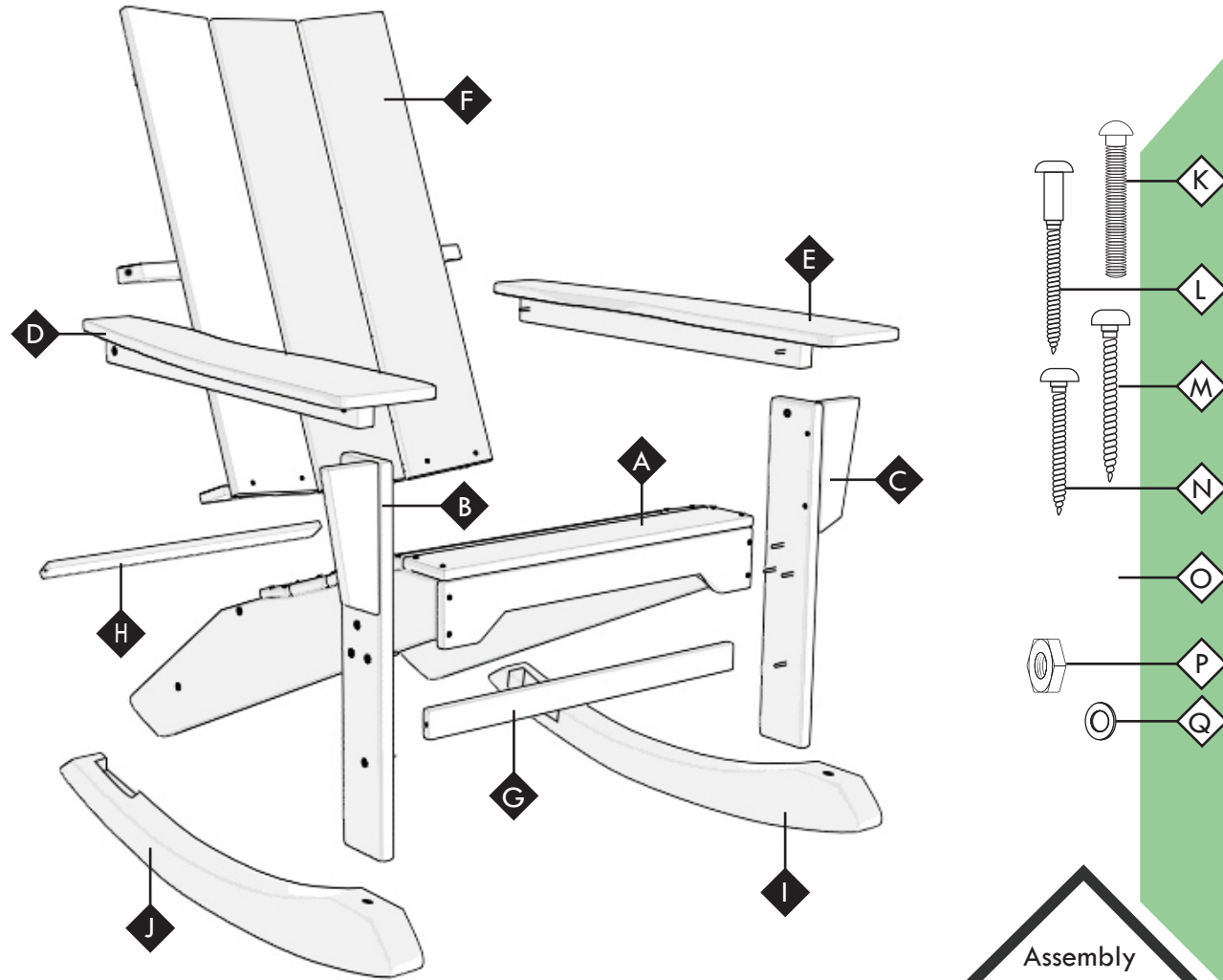


Assembly Instructions

This Package will contain small sharp parts/tools/hardware – PLEASE KEEP AWAY FROM CHILDREN.

- Read through the assembly instructions fully before beginning.
- Check that all listed parts and hardware are included before beginning assembly.
- Avoid accidentally discarding small parts – DO NOT discard packaging until assembly is complete.
- Avoid personal injury and/or damage to product - Use CAUTION & CARE when lifting.
- Assembly time is approximately 20 minutes - Two adults are recommended to complete assembly.

• AVOID PERSONAL INJURY & DAMAGE TO PRODUCT – ENSURE TO LOCK ASSEMBLED CHAIR BEFORE USE
PLEASE SEE STEP 6 FOR FULL DETAILS

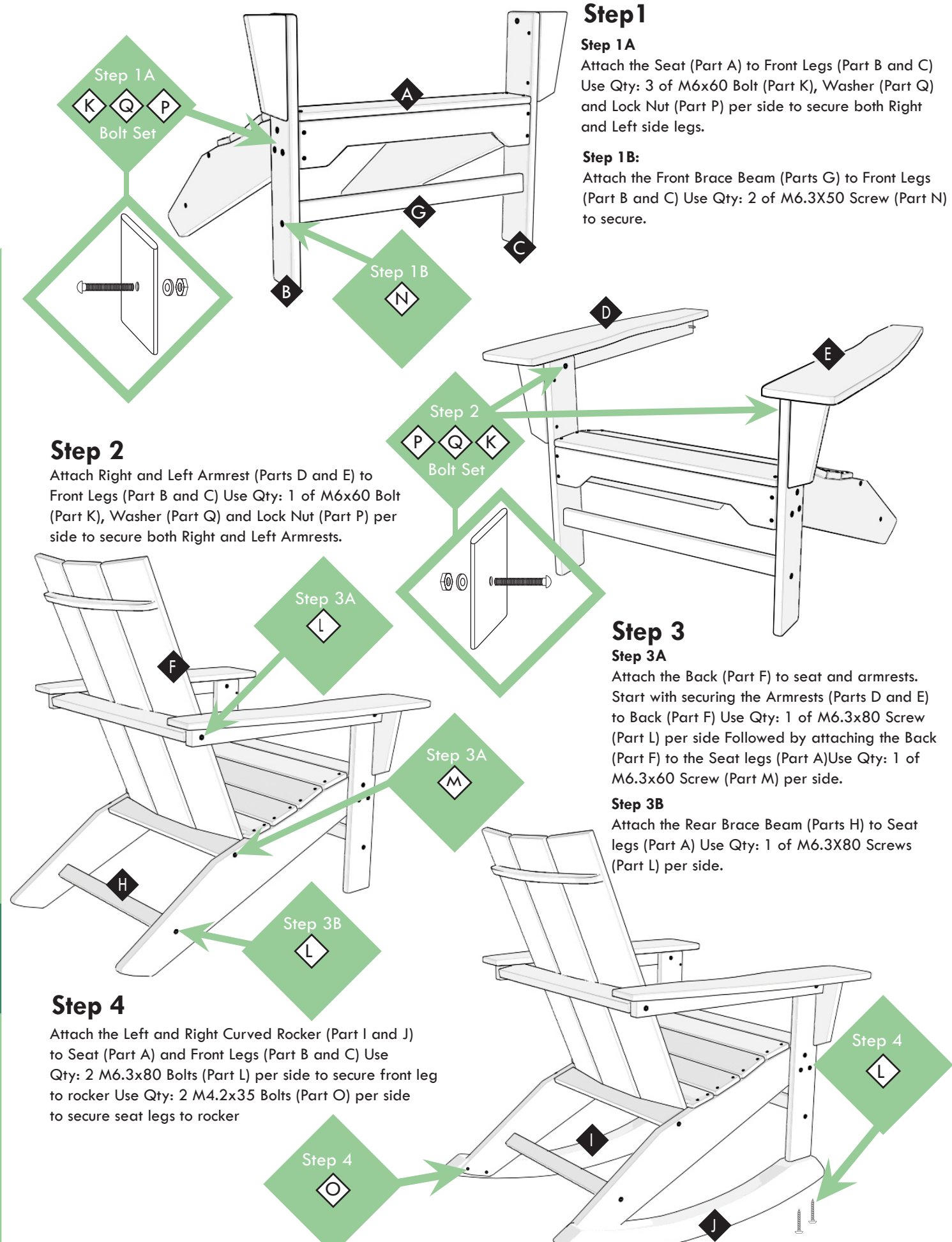


Assembly Tools Included

Package Contents

M6.3x80 Screw

Part	Part Name	Qty	Part	Part Name	Qty
A	Seat	1	J	Right Curved Rocker	1
B	Right Leg	1	K	M 6 x 60 Bolt	8
C	Left Leg	1	L	M 6.3 x 80 Screw	8
D	Right Arm	1	M	M 6.3 x 60 Screw	2
E	Left Arm	1	N	M 6.3 x 50 Screw	4
F	Back Panel	1	O	M 6.3 x 80 Screw	4
G	Front Beam	1	P	M 6 Lock Nut	8
H	Back Beam	1	Q	Washer	8
I	Left Curved Rocker	1			



Step 1

Step 1A
Attach the Seat (Part A) to Front Legs (Part B and C) Use Qty: 3 of M6x60 Bolt (Part K), Washer (Part Q) and Lock Nut (Part P) per side to secure both Right and Left side legs.

Step 1B:
Attach the Front Brace Beam (Parts G) to Front Legs (Part B and C) Use Qty: 2 of M6.3X50 Screw (Part N) to secure.

Step 2

Attach Right and Left Armrest (Parts D and E) to Front Legs (Part B and C) Use Qty: 1 of M6x60 Bolt (Part K), Washer (Part Q) and Lock Nut (Part P) per side to secure both Right and Left Armrests.

Step 3

Step 3A
Attach the Back (Part F) to seat and armrests. Start with securing the Armrests (Parts D and E) to Back (Part F) Use Qty: 1 of M6.3x80 Screw (Part L) per side Followed by attaching the Back (Part F) to the Seat legs (Part A) Use Qty: 1 of M6.3x60 Screw (Part M) per side.

Step 3B
Attach the Rear Brace Beam (Parts H) to Seat legs (Part A) Use Qty: 1 of M6.3X80 Screws (Part L) per side.

Step 4

Attach the Left and Right Curved Rocker (Part I and J) to Seat (Part A) and Front Legs (Part B and C) Use Qty: 2 M6.3x80 Bolts (Part L) per side to secure front leg to rocker Use Qty: 2 M4.2x35 Bolts (Part O) per side to secure seat legs to rocker