

Resin<sup>®</sup>  
TEAK

MODERN

## Care Instructions

ResinTeak furniture is manufactured to be carefree and should only require periodic cleaning with mild soap and water. To clean; mix a 3 (warm water) to 1 (mild soap) ratio in a bucket and with a stiff bristle brush gently scrub in the direction of the grain; removing any accumulated dirt, grease, surface stains and/or dust from the ResinTeak surface.

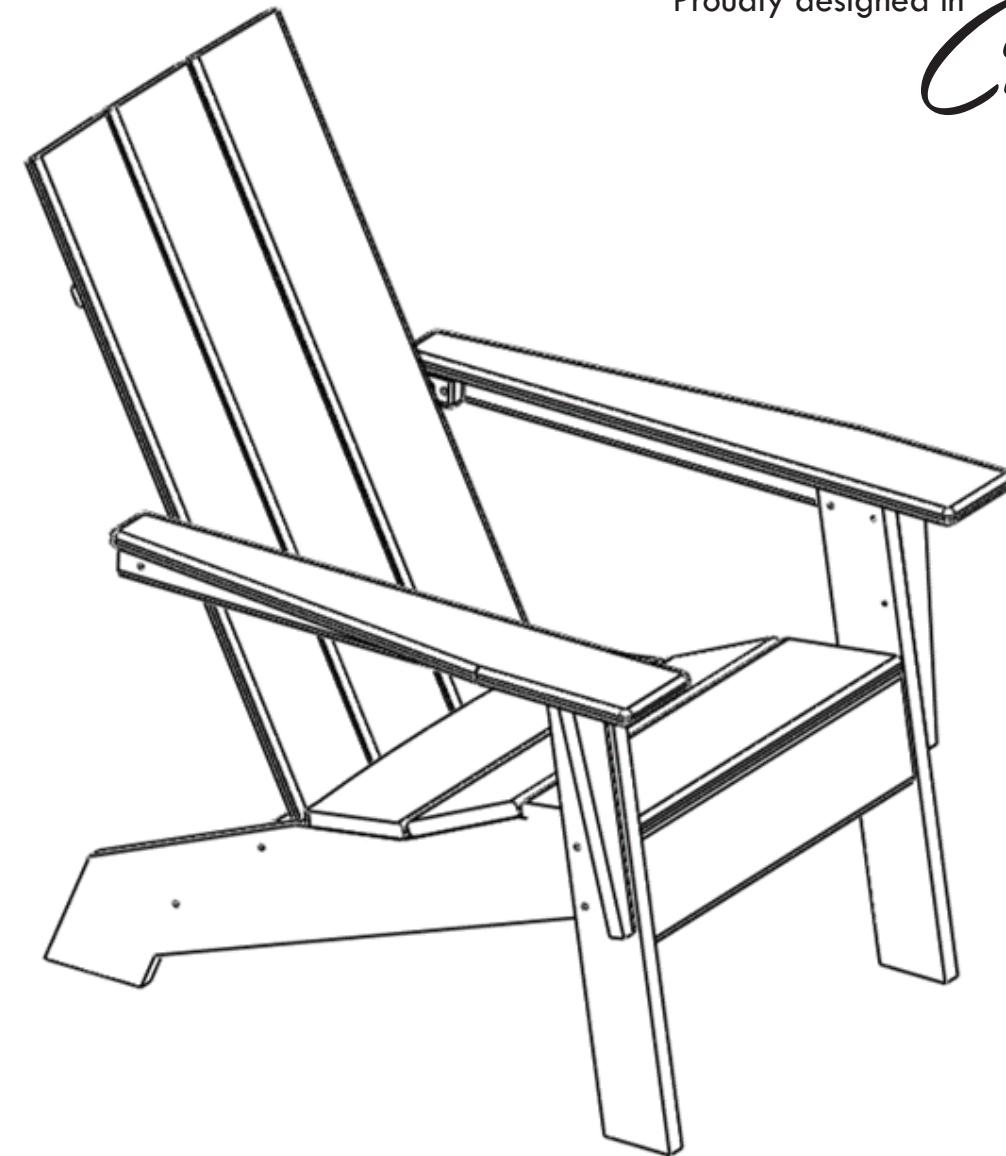
## Warranty

Your ResinTeak furniture includes an industry surpassing Limited Lifetime Warranty. Please review full warranty details and register your product via [www.resinteak.com/warranty](http://www.resinteak.com/warranty)

## Thank You for choosing ResinTeak

We are certain that our eco-conscious plastic furniture will bring many years of enjoyment. At ResinTeak™, we are determined to help reduce the impact harmful plastic pollution is taking on our planet, together with our production factories we are steadily increasing the use of recycled plastics in our furniture collections. We hope to further develop the technology advancements so our furniture production is comprised of 100% recycled plastics without the need for raw virgin materials or compromising the integrity of form, function, and beauty our furniture is known for.

Proudly designed in  
*California*



California Based, Service You Can Count on.



949.316.0010    [support@resinteak.com](mailto:support@resinteak.com)  
Monday-Friday 9:00am to 5:00pm PST



Resin<sup>®</sup>  
TEAK



Scan QR Code for Installation Video

For your safety and the safety of others, please read all the instructions and warnings in this manual carefully.

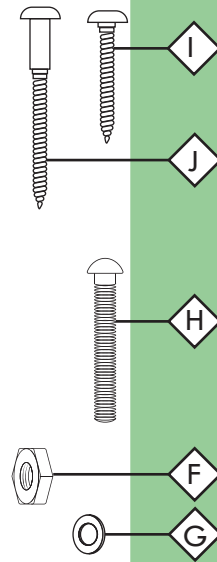
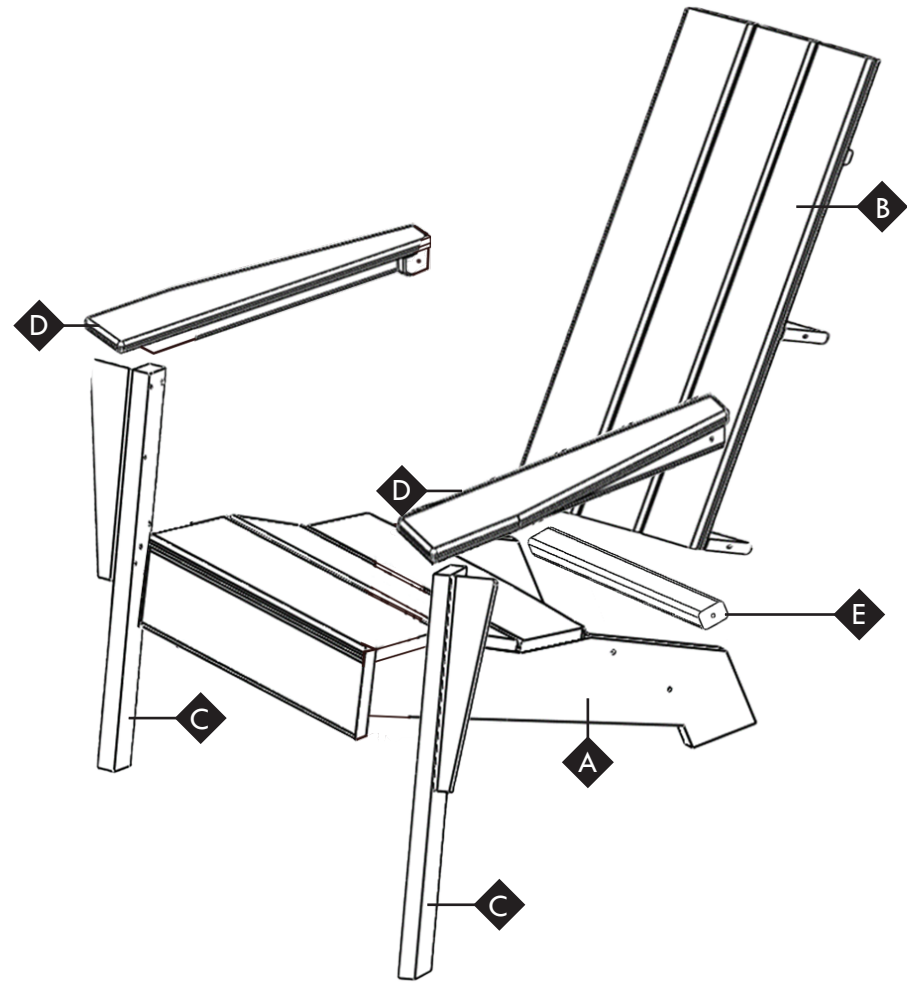


# Pre-Assembly Preparation

**This Package will contain small sharp parts/tools/hardware – PLEASE KEEP AWAY FROM CHILDREN.**

- Read through the preparation and assembly instructions fully before beginning assembly.
- Check that all listed parts and hardware are included before beginning assembly.
- Avoid accidentally discarding small parts – DO NOT discard packaging until assembly is complete.
- Avoid personal injury and/or damage to product - Use CAUTION & CARE when lifting.
- Assembly time is approximately 30 minutes - Two adults are recommended to complete assembly.

• AVOID PERSONAL INJURY & DAMAGE TO PRODUCT – ENSURE TO LOCK ASSEMBLED CHAIR BEFORE USE  
PLEASE SEE STEP 6 FOR FULL DETAILS

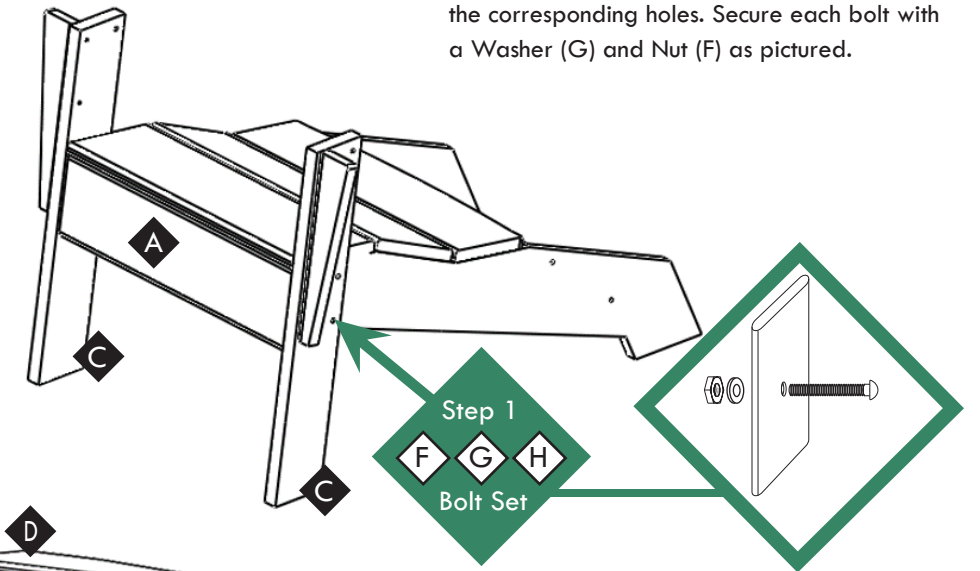


Assembly Tools Included

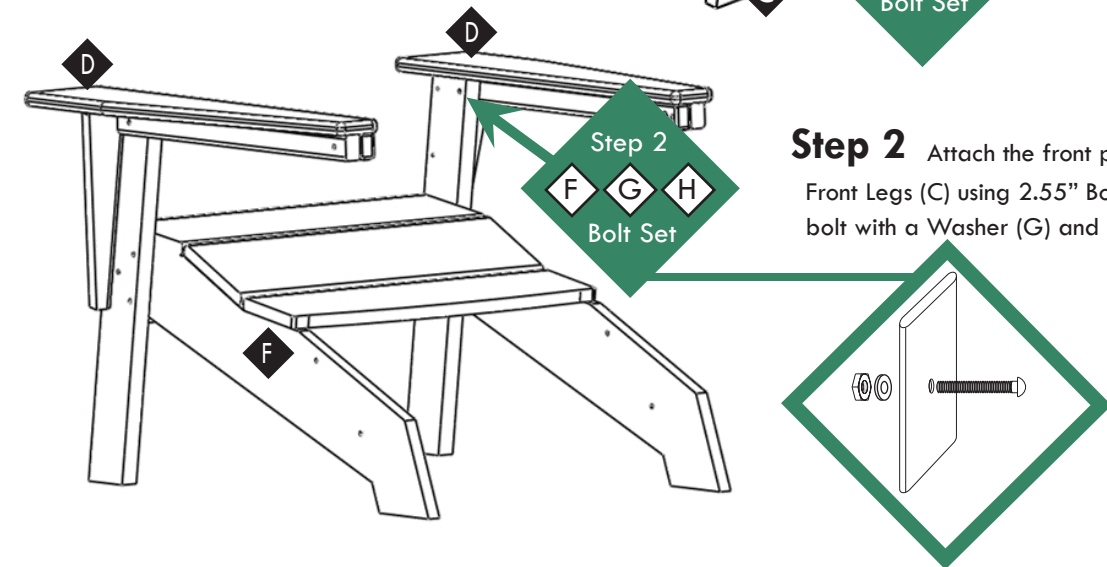
## Package Contents

Part	Part Name	Qty	Part	Hardware List	Qty
A	Seat	1	J	3.15" Screw	2
B	Back Panel	1			
C	Front Leg	2			
D	Left & Right Arms	2			
E	Back Seat Beam	1			
F	Lock Nut	8			
G	Washer	8			
H	2.55" Bolt	8			
I	2.4" Screws	4			

**Step 1** Attach Front Legs (C) to Seat (A) by inserting 3x 2.55" Bolts (H) on each side into the corresponding holes. Secure each bolt with a Washer (G) and Nut (F) as pictured.



**Step 2** Attach the front part of the Arms (D) to the Front Legs (C) using 2.55" Bolts (H) and secure each bolt with a Washer (G) and Nut (F) as pictured.



### Step 3

**STEP 3A** Attach the Back (B) to Seat (A) using 2.4" Screws (I).

**STEP 3B** Then attach the Back (B) to Arms (D) using 3.15" Screws (J) as pictured.

**STEP 3C** Attach Back Seat Beam (E) between the rear legs using 2.4" Screws (I) as pictured. Tighten all bolts and screws after assembly is complete.

