



Resin[®]
TEAK

KIDS
ADIRONDACK CHAIR

Care Instructions

ResinTeak furniture is manufactured to be easy to maintain only require periodic cleaning with mild soap and water. To clean; mix a 3 (warm water) to 1 (mild soap) ratio in a bucket and with a stiff bristle brush gently scrub in the direction of the grain; removing any accumulated dirt, grease, surface stains and/or dust from the ResinTeak surface.

Proudly designed in
California

Warranty

Your ResinTeak furniture includes an industry surpassing Limited Lifetime Warranty. Please review full warranty details and register your product via www.resinteak.com/warranty

Thank You for choosing ResinTeak

We are certain that our eco-conscious plastic furniture will bring you many years of enjoyment. At ResinTeak™, we are determined to help reduce the impact harmful plastic pollution is taking on our planet, together with our production factories we are steadily increasing the use of recycled plastics in our furniture collections. We hope to further develop this technology advancement so our furniture production is comprised of 100% recycled plastics without the need for raw virgin materials or compromising the integrity of form, function, and beauty that our furniture is known for.



California Based, ServiceYou Can Count on.



949.316.0010 support@resinteak.com
Monday-Friday 9:00am to 5:00pm PST



Resin[®]
TEAK



Scan QR Code for Installation Video

All Weather Indoor/Outdoor Chair

Model# RSTK-CHID-ADI

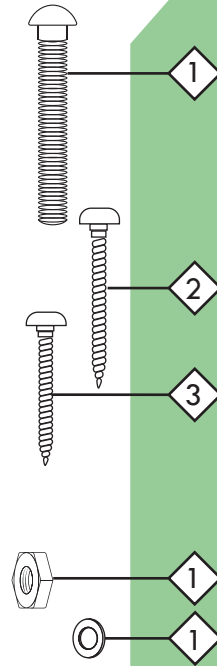
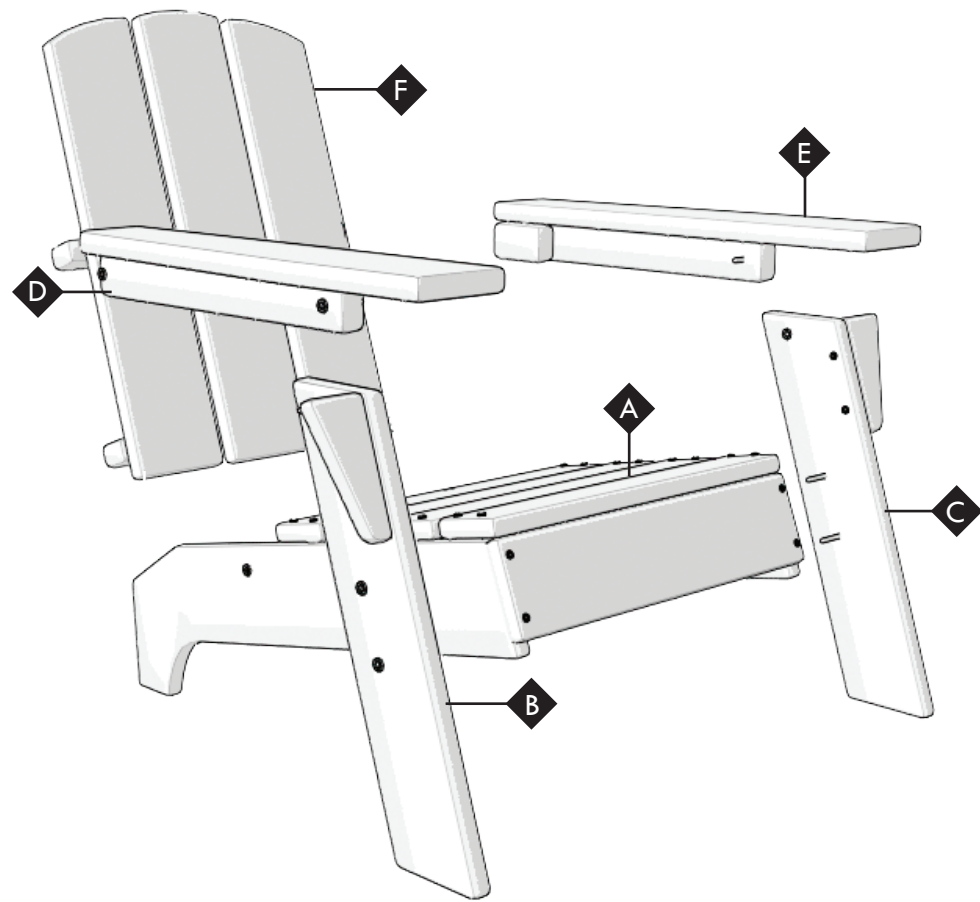
For your safety and the safety of others, please read all the instructions and warnings in this manual carefully.



Assembly Instructions

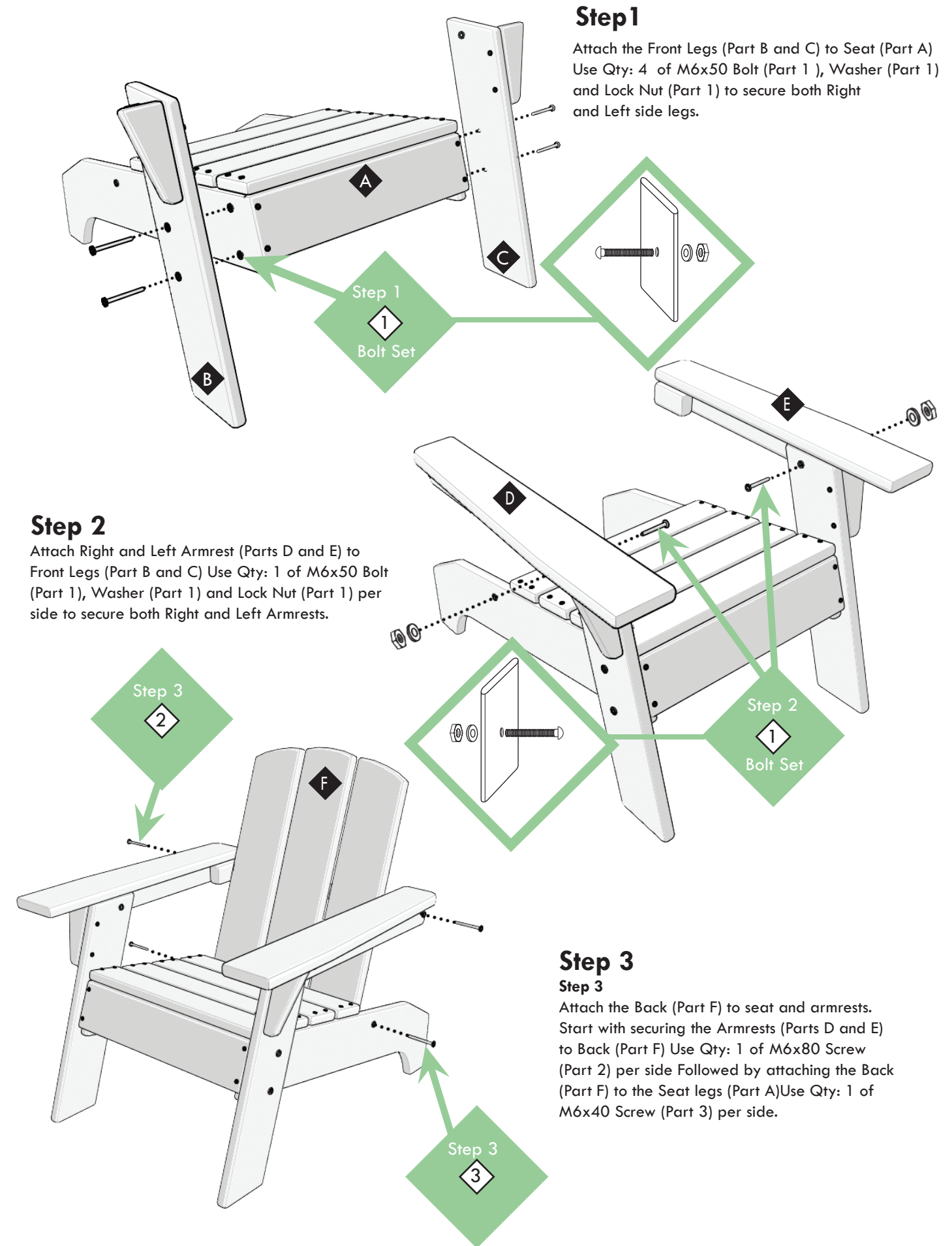
This Package will contain small sharp parts/tools/hardware – PLEASE KEEP AWAY FROM CHILDREN.

- Read through the assembly instructions fully before beginning.
- Check that all listed parts and hardware are included before beginning assembly.
- Avoid accidentally discarding small parts – DO NOT discard packaging until assembly is complete.
- Avoid personal injury and/or damage to product - Use CAUTION & CARE when lifting.
- Assembly time is approximately 20 minutes - Two adults are recommended to complete assembly.



Package Contents

Part	Part Name	Qty	Part	Hardware	Qty
A	Seat	1	1	M 6 x 50 Bolt Set	6
B	Right Leg	1	2	M 6 x 80 Screw	2
C	Left Leg	1	3	M 6 x 40 Screw	2
D	Right Arm	1			
E	Left Arm	1			
F	Back Panel	1			
		1			
		1			
		1			



Step 1
Attach the Front Legs (Part B and C) to Seat (Part A)
Use Qty: 4 of M6x50 Bolt (Part 1), Washer (Part 1)
and Lock Nut (Part 1) to secure both Right
and Left side legs.

Step 2
Attach Right and Left Armrest (Parts D and E) to
Front Legs (Part B and C) Use Qty: 1 of M6x50 Bolt
(Part 1), Washer (Part 1) and Lock Nut (Part 1)
per side to secure both Right and Left Armrests.

Step 3
Attach the Back (Part F) to seat and armrests.
Start with securing the Armrests (Parts D and E)
to Back (Part F) Use Qty: 1 of M6x80 Screw
(Part 2) per side Followed by attaching the Back
(Part F) to the Seat legs (Part A) Use Qty: 1 of
M6x40 Screw (Part 3) per side.