

Resin[®]
TEAK

NEW HERITAGE

Care Instructions

ResinTeak furniture is manufactured to be carefree and should only require periodic cleaning with mild soap and water. To clean; mix a 3 (warm water) to 1 (mild soap) ratio in a bucket and with a stiff bristle brush gently scrub in the direction of the grain; removing any accumulated dirt, grease, surface stains and/or dust from the ResinTeak surface.

Warranty

Your ResinTeak furniture includes an industry surpassing Limited Lifetime Warranty. Please review full warranty details and register your product via www.resinteak.com/warranty

Thank You for choosing ResinTeak

We are certain that our eco-conscious plastic furniture will bring many years of enjoyment. At ResinTeak™, we are determined to help reduce the impact harmful plastic pollution is taking on our planet, together with our production factories we are steadily increasing the use of recycled plastics in our furniture collections. We hope to further develop the technology advancements so our furniture production is comprised of 100% recycled plastics without the need for raw virgin materials or compromising the integrity of form, function, and beauty our furniture is known for.

Proudly designed in
California



California Based, Service You Can Count on.



949.316.0010 support@resinteak.com
Monday-Friday 9:00am to 5:00pm PST



Resin[®]
TEAK



Scan QR Code for Installation Video

For your safety and the safety of others, please read all the instructions and warnings in this manual carefully.

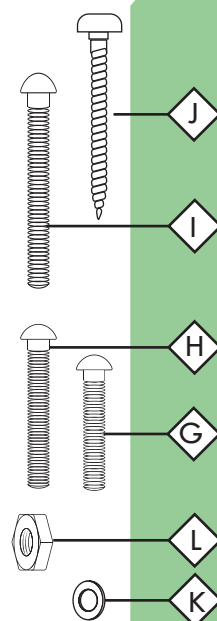
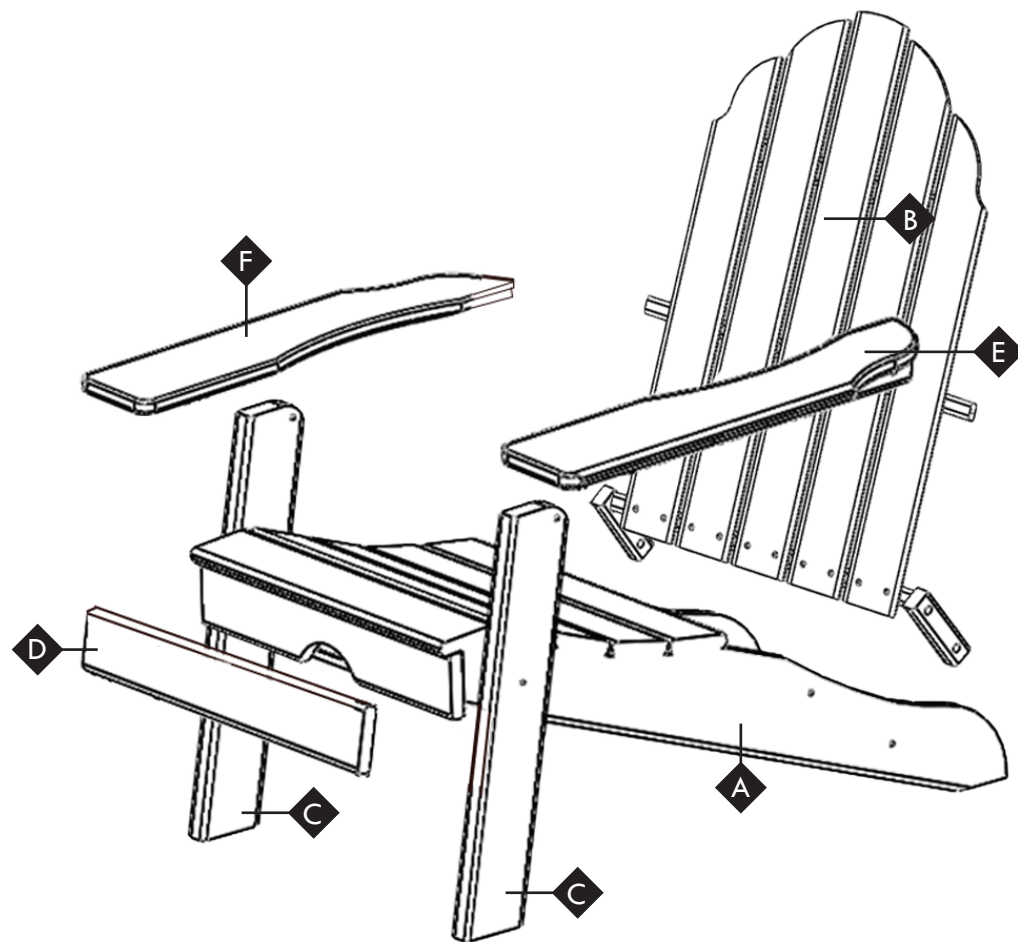


Pre-Assembly Preparation

This Package will contain small sharp parts/tools/hardware – PLEASE KEEP AWAY FROM CHILDREN.

- Read through the preparation and assembly instructions fully before beginning assembly.
- Check that all listed parts and hardware are included before beginning assembly.
- Avoid accidentally discarding small parts – DO NOT discard packaging until assembly is complete.
- Avoid personal injury and/or damage to product - Use CAUTION & CARE when lifting.
- Assembly time is approximately 30 minutes - Two adults are recommended to complete assembly.

• AVOID PERSONAL INJURY & DAMAGE TO PRODUCT – ENSURE TO LOCK ASSEMBLED CHAIR BEFORE USE
PLEASE SEE STEP 6 FOR FULL DETAILS



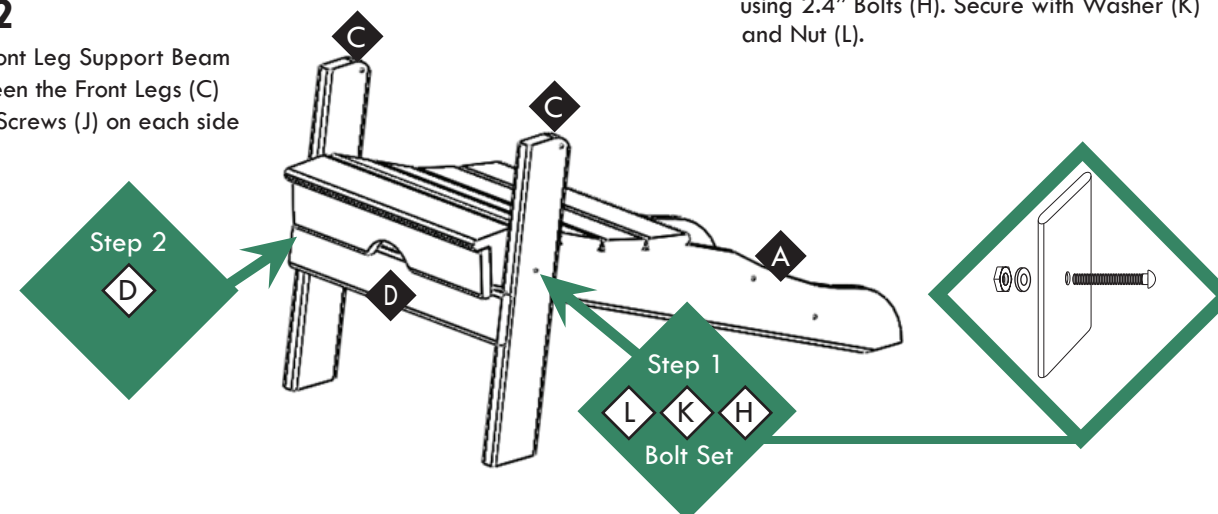
Assembly Tools Included

Package Contents

Part	Part Name	Qty	Part	Hardware List	Qty
A	Seat	1	J	2.4" Screw	2
B	Back Panel	1	K	Washer	6
C	Left & Right Front Legs	2	L	Lock Nut	6
D	Front Leg Support Beam	1	M	2" Bolt	6
E	Left Armrest	1			
F	Right Armrest	1			
G	2" Bolt	2			
H	2.4" Bolt	2			
I	2.55" Bolt	2			

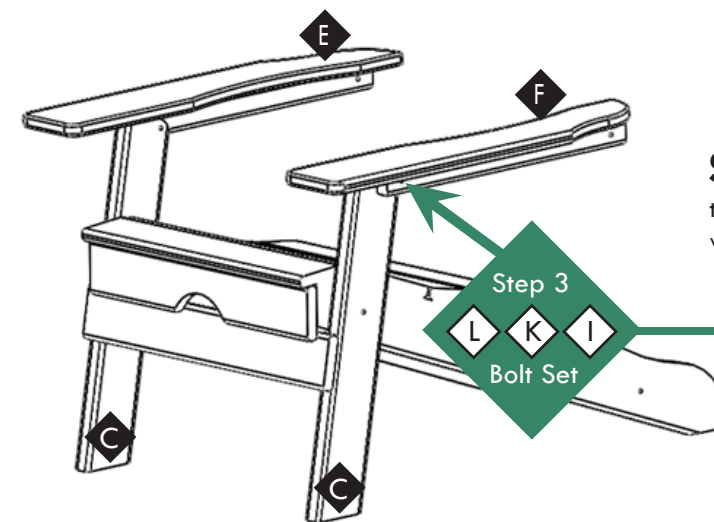
Step 2

Secure Front Leg Support Beam (D) between the Front Legs (C) using 2x Screws (J) on each side



Step 1

Attach the Front Legs (C) to the Seat (A) using 2.4" Bolts (H). Secure with Washer (K) and Nut (L).



Step 3

Attach the Right and Left Armrests (E & F) to the Front Legs (C) using 2.55" Bolts (I). Secure with Washer (K) and Nut (L).

Step 4

STEP 4A First, attach the Back Panel (B) to end of Armrests (E & F) using 2.4" Screws (J).

STEP 4B

Then attach the end of the Folding Brackets (part of the Back Panel) to the back legs of the Seat (A) using 2" Bolts (G). Secure with Washer (K) and Nut (L).

