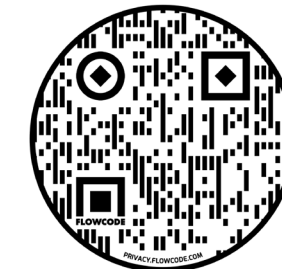


*"We're reinventing all-weather outdoor style
and we're just getting started..."*



ResinTEAK™
FURNITURE



For assembly video, please
scan QR code

FURNITURE CARE:

All you need to clean your newly acquired furniture is warm water and soap. For extra cleaning power, mix 25% white bleach with 75% water. Using a stiff bristle brush can help remove any particles from between the simulated wood grain. Style designed and created in California, USA

Need help? Contact Us!
Email: help@resinteak.com
Phone: (949) 316-0010
Monday – Friday, 10 AM – 5 PM

OUTDOOR STYLE REINVENTED

Each item is made with high-density material, which protects against cracks, rot and splinters, keeping your furniture timelessly beautiful, no matter the season.

UV-stabilized material resists color fading. This means no repainting ever!

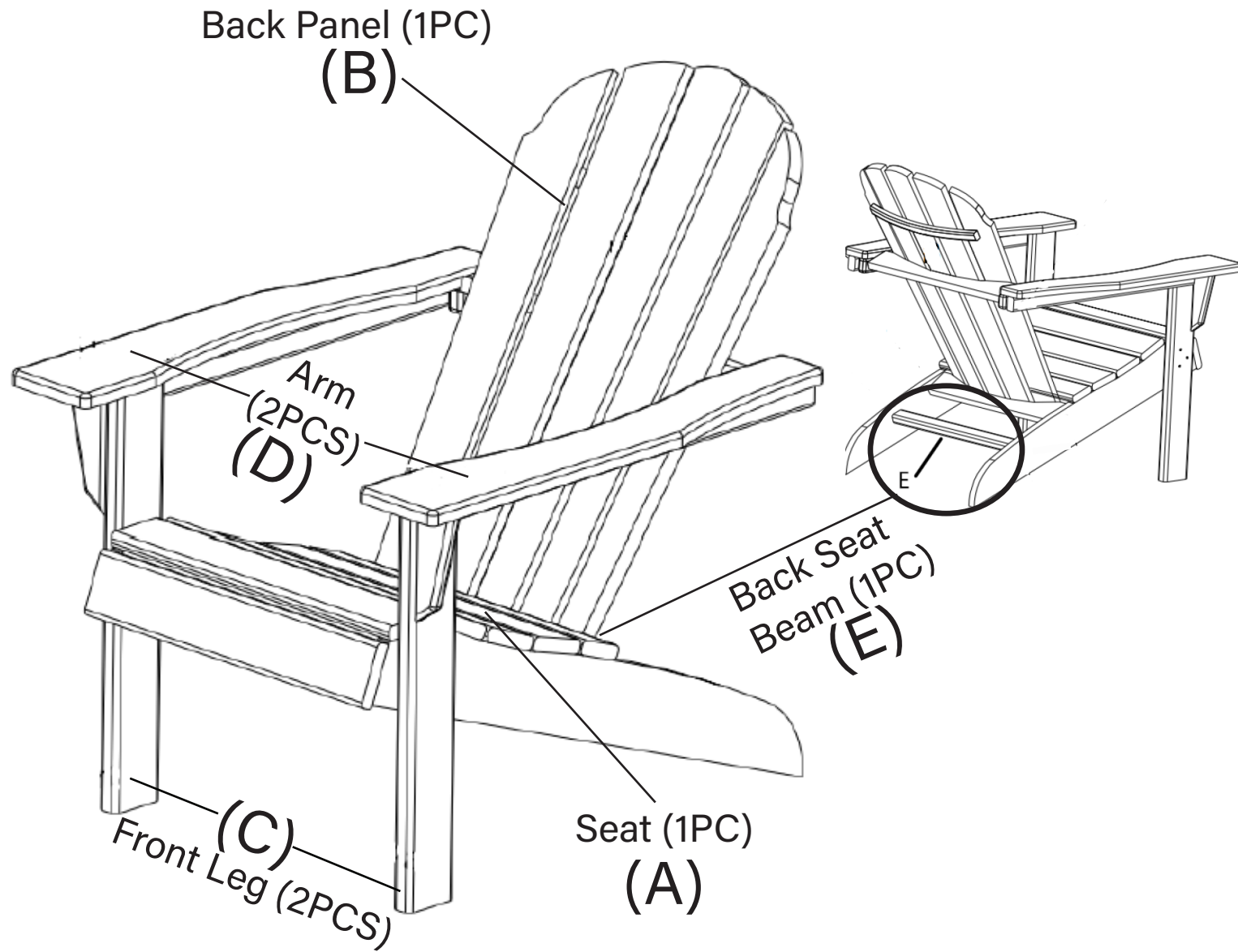
PRE-ASSEMBLY PREPARATION:



THIS PACKAGE MAY CONTAIN SMALL ITEMS WHICH SHOULD BE KEPT AWAY FROM CHILDREN

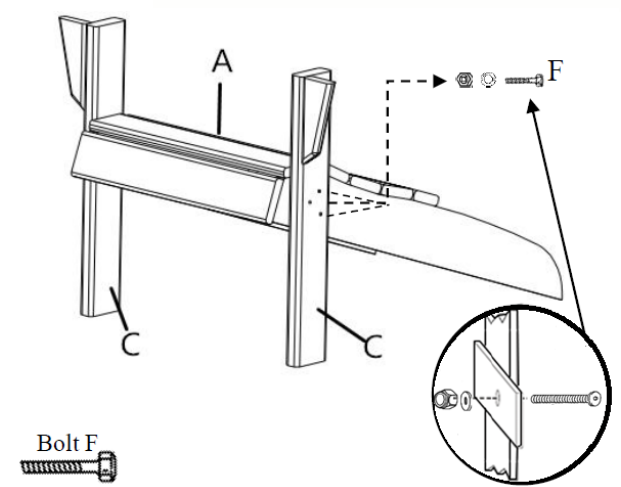
- Please check that all listed parts and hardware are included before beginning assembly.
- Save all packing materials until assembly is completed to avoid accidentally discarding small parts.
- Read through the preparation and assembly instructions in full before beginning assembly.
- Please use CAUTION AND CARE when lifting the product to avoid personal injury and/or damage to the product.
- For ease of assembly, two adults are recommended. Assembly time is approximately 30 minutes

ITEM NAME: Resin Teak Adirondack Chair
MODEL: RSTK-ADI

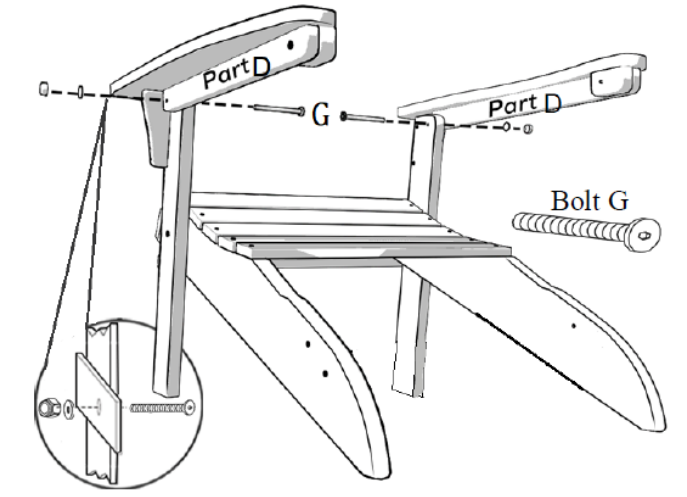


STEP-BY-STEP ASSEMBLY: ***IMPORTANT NOTE: DO NOT OVERTIGHTEN THE BOLTS***

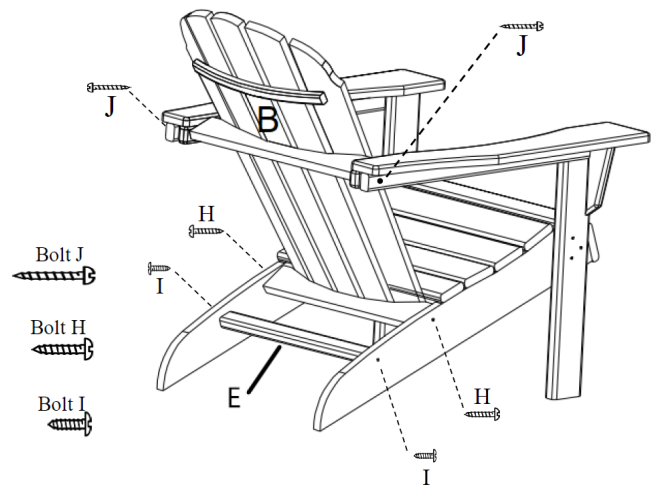
STEP 1: Attach Front Legs (C) to Seat (A) by inserting 3x 2.55" Bolts (H) on each side into the corresponding holes. Secure each bolt with a washer (G) and nut (F) as pictured.



STEP 2: Attach the front part of the Arms (D) to the Front Legs (C) using 2.55" Bolts (H) and secure each with washer (G) and nut (F) as pictured.



STEP 3: Attach the Back (B) to Seat (A) using 2.4" Bolts (I). Then attach the Back (B) to Arms (D) using 3.15" Bolts (J) as pictured.



STEP 4: Attach Back Seat Beam (E) between the rear legs using 2.4" Bolts (I) as pictured.

PART LIST:

A. Seat - 1Pc	B. Back - 1Pc	C. Front Legs - 2Pcs	D. Arms - 2Pcs	E. Back Seat Beam - 1Pc
			<div style="display: flex; justify-content: space-around;"> <div style="text-align: center;"> <p>Bottom View</p> </div> <div style="text-align: center;"> <p>Top View</p> </div> </div>	

HARDWARE LIST:

F. Bolts 2.4" - 6Pcs	G. Bolts 2.55" - 2Pcs	H. Screws 2.4" - 2Pcs	I. Screws 1.5" - 2Pcs	J. Screws 3.15" - 2Pcs
K. Washer - 8Pcs	L. Lock Nut - 8Pcs	M. Allen Wrench - 1Pc	N. Wrench - 1Pc	

