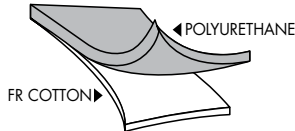


Style 7215SJ - **FLEXARC** 10 oz Polyurethane/FR Cotton Rain Jacket

Style 7215BT - **FLEXARC** 10 oz Polyurethane/FR Cotton Bib Pants

Featuring 2" 3M™ Scotchlite™ Reflective Trim

- 10 oz flexible polyurethane on FR cotton
- Multi-purpose protection from electric arc and flash fire
- VISLON® zipper front with storm VELCRO® closure
- Detachable hood with drawstring
- "D" ring access port
- Inner left chest cell phone pocket
- Heat sealed seams
- Ideal for electrical utilities, gas companies, electrical maintenance, electrical switching, utility storm/foul weather restoration, meter and pipeline servicing/maintenance
- IFR Rainwear fabrics meet the requirements of: ASTM F1891, ASTM F2733



STOCK COLOURS:



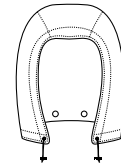
FLUORESCENT ORANGE
Part No.
RWSO7215SJ-(Size)
RWSO7215BT-(Size)

STOCK SIZES:

S	M	L	XL	2XL	3XL	4XL
-	-	LT	XLT	2XLT	-	-



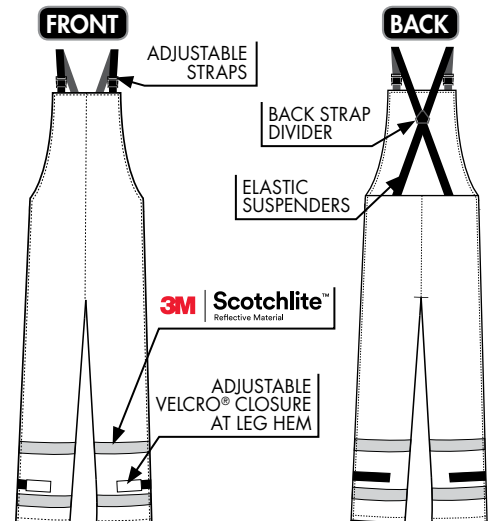
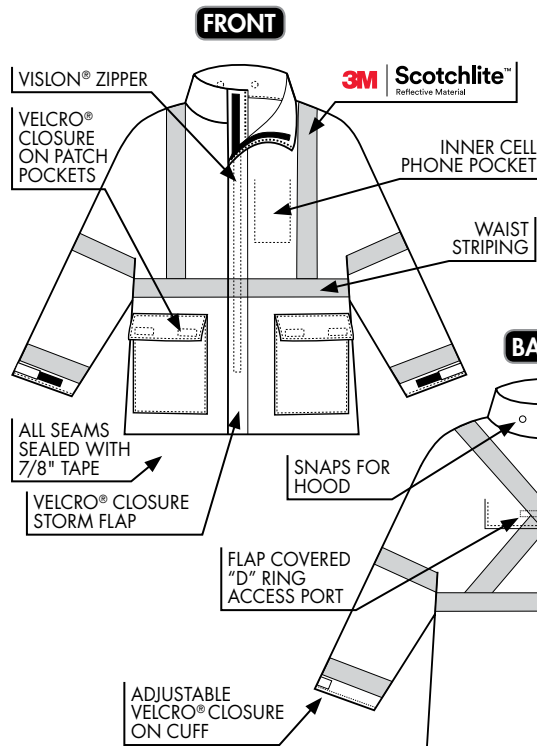
HOOD



*One hood is included with each rain jacket. EXTRA hoods can be purchased separately.
Part No:
RWSO7215HO



when rain jacket and bib pants are combined



3M™ and Scotchlite™ are trademarks of 3M™ used under license by IFR Workwear Inc. in Canada.

THE TRUSTED LEADER IN QUALITY FLAME AND ARC RESISTANT WORKWEAR

www.ifrworkwear.ca | 403-347-5480 | info@ifrworkwear.ca