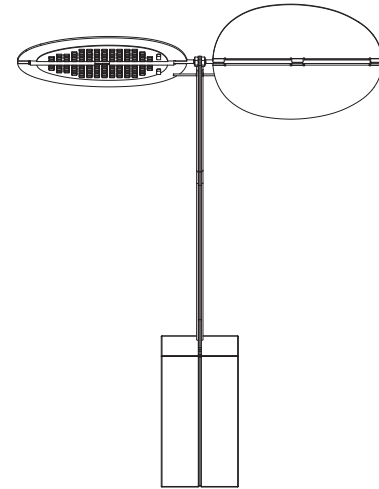


ambienTec



Sage

Design: Nao Tamura

INSTRUCTIONS

Thank you very much for purchasing the Ambientec Sage. Please read these instructions carefully before using the product. Keep this document in a safe, accessible place.

Table of Contents

1	Safety Precautions	6	Care and Maintenance
2	Names of Parts and Package Contents	7	How to Dispose of This Product
3	Confirmation before Use	8	Product Specifications
4	How to Operate This Product	9	After-Sale Servicing
5	Indicator Lamp		

1 Safety Precautions

- To use the product correctly and safely, be sure to read the Safety Precautions before use.
- The Safety Precautions include critical information for safety. Be sure to heed them.
- The following symbols mean the degree of the risk or damage that may be incurred if the product is used erroneously without heeding the information given after each symbol.

- DANGER** Indicates an imminently hazardous situation which, if not avoided, will result in death or serious injury.
- WARNING** Indicates a potentially hazardous situation which, if not avoided, could result in death or serious injury.
- CAUTION** Indicates a potentially hazardous situation which, if not avoided, may result in minor/moderate injury or equipment damage.

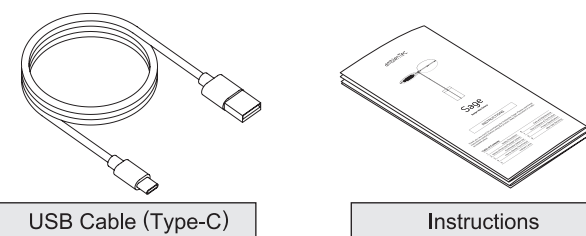
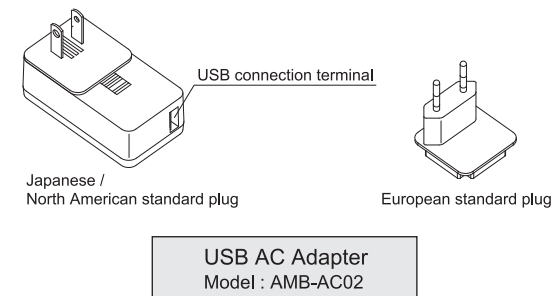
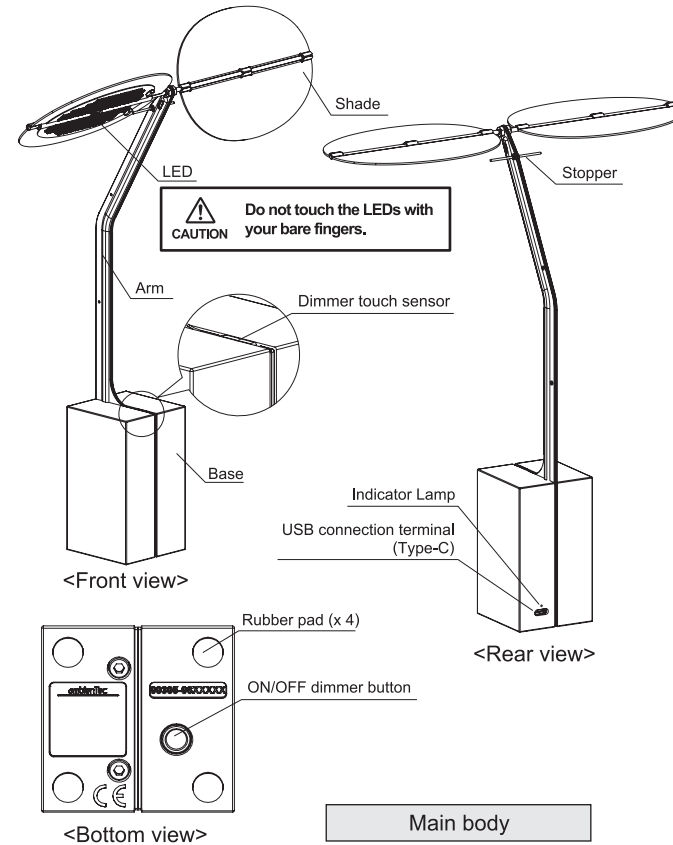
If the product is used erroneously without heeding the following danger, warning and caution, a fire, heat generation, damage or liquid leak may cause burns, an injury or loss of sight.

- Do not throw the product in fire or heat it in an oven.
- Do not use or leave the product under a high temperature.
- Do not place the product in the reach of infant.
- Do not open or modify the product.
- DANGER** Dropping this product or applying a strong impact to may result in damage or injury.
- If an abnormality occurs — e.g., smoke is generated or a strong smell is present — immediately turn off the power.
- Do not look directly into the LED light source when it is on.

- Do not short-circuit the LED, the USB connection terminal on the main body with a metal pin or other implement.
- Do not cover the product with flammable material such as cloth or paper as doing so could cause a fire.
- Do not get the AC adapter and main body wet or use them while they are wet.
- If the USB cable is damaged, do not use it.
- Do not swing or throw the main body.
- WARNING** Always supply power within the rated voltage range (100 to 240 V AC) of the AC adapter.
- Inspect periodically that the AC adapter, household power outlet and the recharging terminals are free of accumulated dust.
- Insert the plugs into the household power outlet or AC adapter all the way.
- Do not plug or unplug the AC adapter or connector with wet hands.
- When carrying the main body, be sure to hold it by the base.

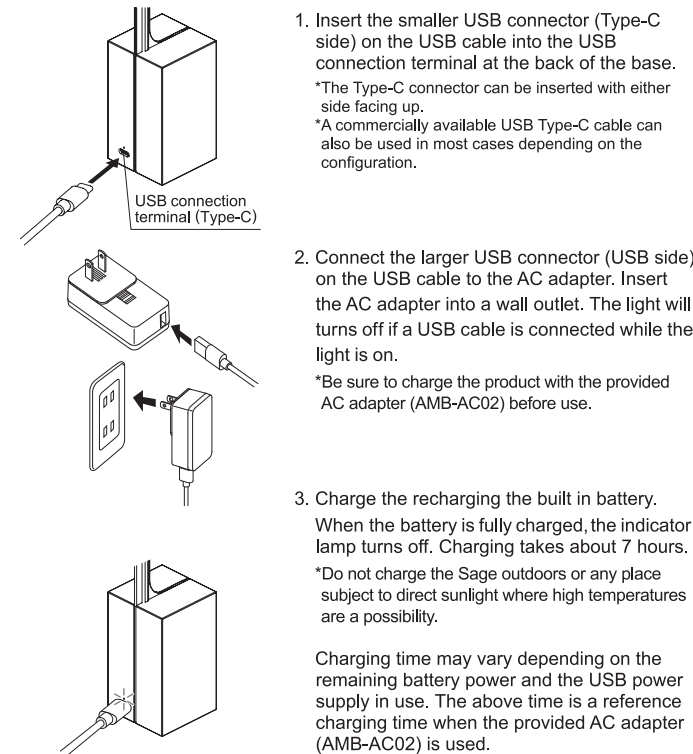
- CAUTION** When the product is not to be used for a long period, unplug the AC adapter from the household power outlet.
- Use the product under an ambient temperature between 0°C and 40°C.
- Do not place the product on an unstable or tilted surface.
- Do not touch the LEDs with your bare fingers.
- Do not charge the Sage outdoors or any place subject to direct sunlight where high temperatures are a possibility.

2 Names of Parts and Package Contents

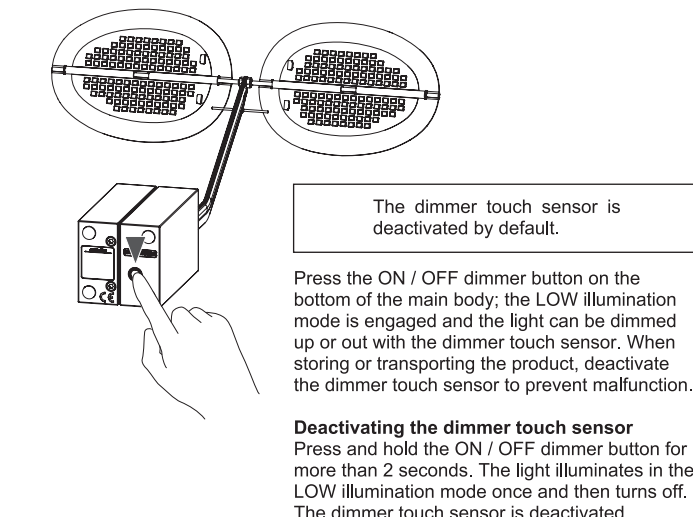


3 Confirmation before Use

[ 1 ] Recharging the main body



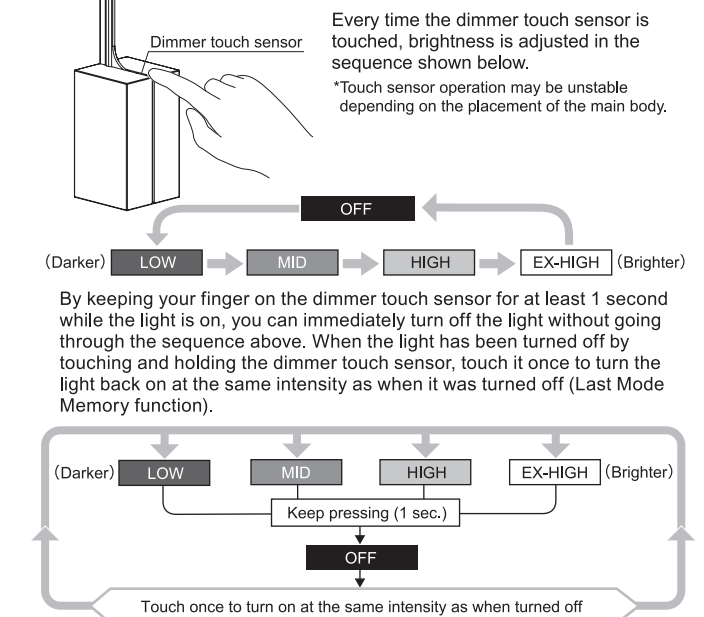
[ 2 ] Activating the dimmer touch sensor



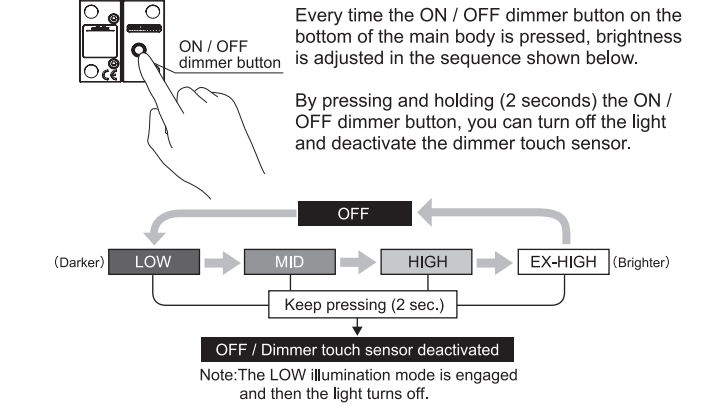
4 How to Operate This Product

**CAUTION** "This product is not waterproof. Do not spill any liquid such as water on it or immerse it in water."

[ 1 ] Using the dimmer touch sensor



[ 2 ] Using the ON / OFF dimmer button



Dimmer mode	LOW	MID	HIGH	EX-HIGH
Power consumption	0.1w	0.5w	0.9w	1.8w
Illuminance <sup>1</sup>	20lx	150lx	400lx	1000lx
Color temperature	2000K	2200K	2300K	2400K
Battery run time <sup>2</sup>	150hours	38hours	14hours	7hours

<sup>1</sup> Measured immediately below the center at the distance of about 294 mm.  
<sup>2</sup> Reference values when the product is brand-new and the battery is fully charged. The battery run time gradually decreases over time as the product is used. When the remaining battery power drops below 10%, the LOW illumination mode is automatically engaged and the light can no longer be adjusted. Once the battery power is completely depleted, the light will turn off.

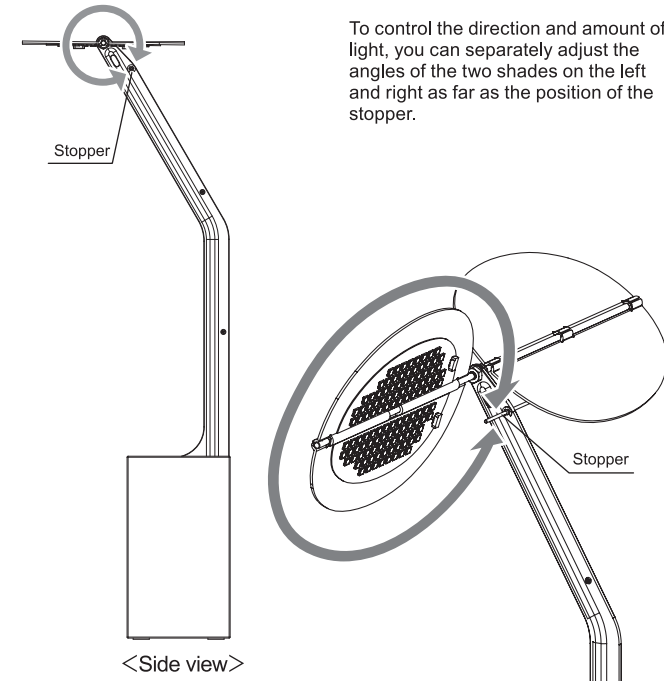
Sage



ambienTec

Ambientec Corporation  
 Parktower Yokohama Portside 2F, 2-1 Kinko-cho,  
 Kanagawa-ku, Yokohama, Kanagawa,  
 221-0056 Japan  
 Tel : +81-45-441-0083

[3] Adjusting the shades



To control the direction and amount of light, you can separately adjust the angles of the two shades on the left and right as far as the position of the stopper.

5 Indicator Lamp

Indicator Lamp	
During charging	Lights in white
Charging complete	Turns off
Error	Blinks in white

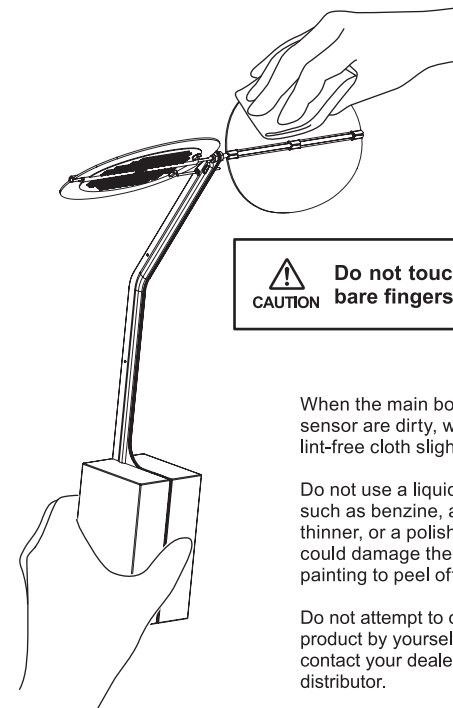
●Error Warning

Excessive heat generation from the battery or control circuit board or an abnormality in the power supply will cause the indicator lamp to start blinking and may activate the protection function, disabling the charging operation. Should this occur, disconnect the USB connection cable from the main body, wait a few seconds and then reconnect the USB connection cable to resume charging. If the indicator lamp resumes blinking, the product may be out of order, contact your dealer or nearest Ambientec distributor.

6 Care and Maintenance

To keep this product in the best condition, please follow the maintenance guidelines below.

Before cleaning, turn off the light and unplug all cables and connectors.



**CAUTION** Do not touch the LEDs with your bare fingers.

When the main body and dimmer touch sensor are dirty, wipe clean with a soft, lint-free cloth slightly moistened with water.

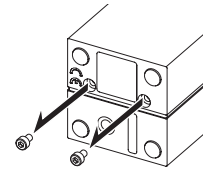
Do not use a liquid cleaner spray, a solvent such as benzine, alcohol or lacquer thinner, or a polishing agent. Doing so could damage the surface and cause the painting to peel off.

Do not attempt to open, repair, or modify the product by yourself. If servicing is required, contact your dealer or nearest Ambientec distributor.

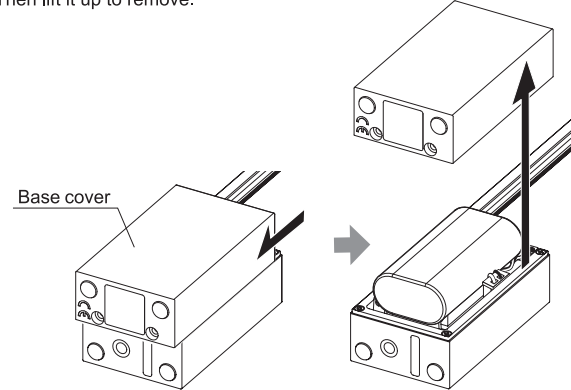
7 How to Dispose of This Product

This product uses a lithium-ion battery that contains recyclable materials. When you dispose of this product, remove the built-in battery and dispose of it by following the disposal method specified by your local municipality.

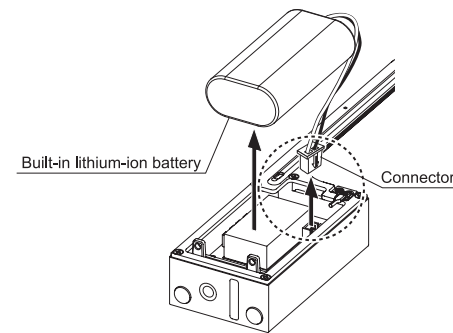
1. Be sure to keep the light on until it goes out to completely discharge the built-in battery.
2. Use an allen wrench to unscrew the two screws on the bottom of the base.



3. Slide the base cover in the direction of the arrow (↗). Then lift it up to remove.



4. Pull out the connector in the base as illustrated below to take out the built-in lithium-ion battery.

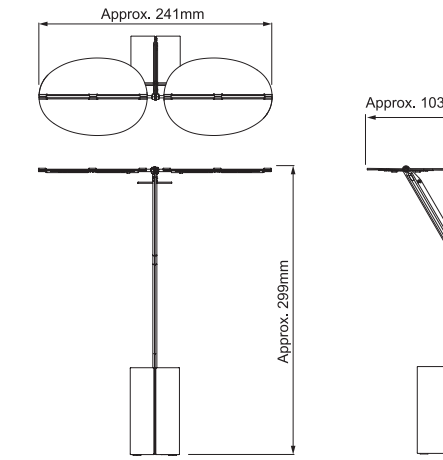


5. Cover the battery terminals with insulating tape and dispose of the battery according to the rules specified by your local municipality.

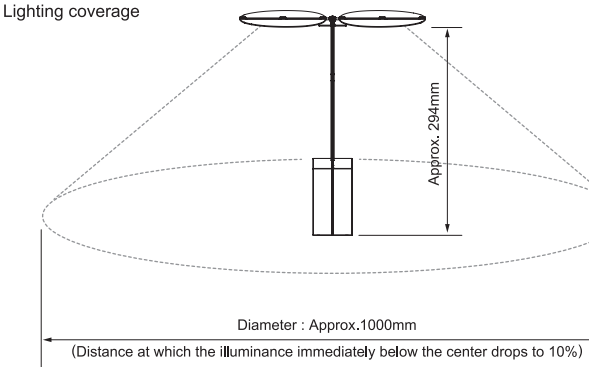
8 Product Specifications

Product name	Sage			
Product code	SGE001			
Light source	LED			
Color rendering index	Ra80			
Dimmer level (4 steps)	LOW	MID	HIGH	EX-HIGH
Power consumption	0.1w	0.5w	0.9w	1.8w
Illuminance	20lx	150lx	400lx	1000lx
Color temperature	2000K	2200K	2300K	2400K
Battery run time	150 hours	38 hours	14 hours	7 hours
Power supply	Rechargeable lithium-ion battery, 3.7 V / 5200 mAh			
Charging method / time	USB charging / Approx.7 hours.			
Recharging life	Approx. 500 cycles The recharging life refers to the standard number of times the battery can be recharged before battery performance drops below 50% when fully charged.			
Dimensions	241mmW × 103mmD × 299mmH (Approx.)			
Weight	Approx. 800g			
Main materials	Aluminum, Zinc alloy			
Surface finish	Anodized aluminum, Painting			
Operating temperatures	0°C to 40°C			

Dimensions



Lighting coverage



9 After-Sales Servicing

Repair

Do not attempt to open, repair or modify the product by yourself. If servicing is required or the built-in lithium ion battery needs to be replaced with a new one, contact your dealer or nearest Ambientec distributor.