

## WASHPARK MEDIA UNIT



### Tool Required:

### Placement and Maintenance

Your WashPark Media Unit is designed for indoor use on level floors. Furniture with hard lacquer, wax polish or painted surface should be dusted with a dry cloth. Spillages should be wiped up as soon as possible. Our furniture will endure most temperatures in the home but it is best to avoid placing furniture next to heat sources such as radiators or fires.



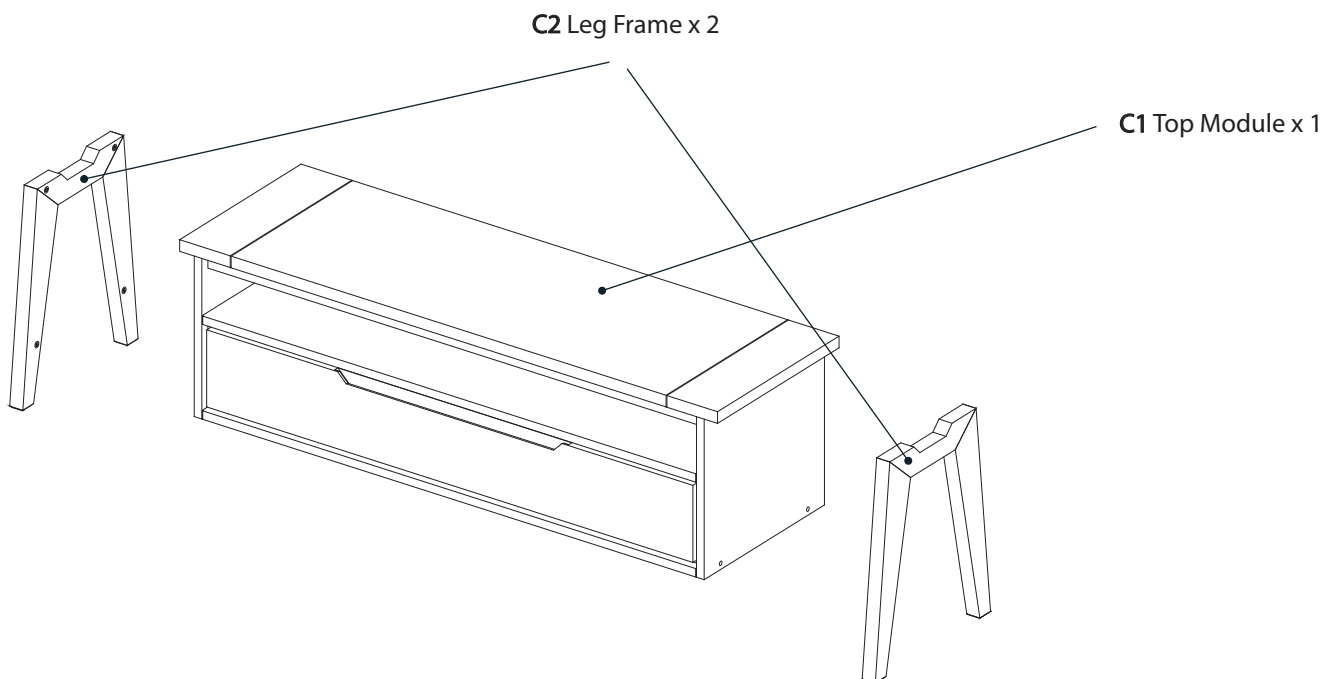
**T1** M4 Allen Key x 1



**H1** Allen Head Bolt  
(Chrome) (M6x30mm) x 8

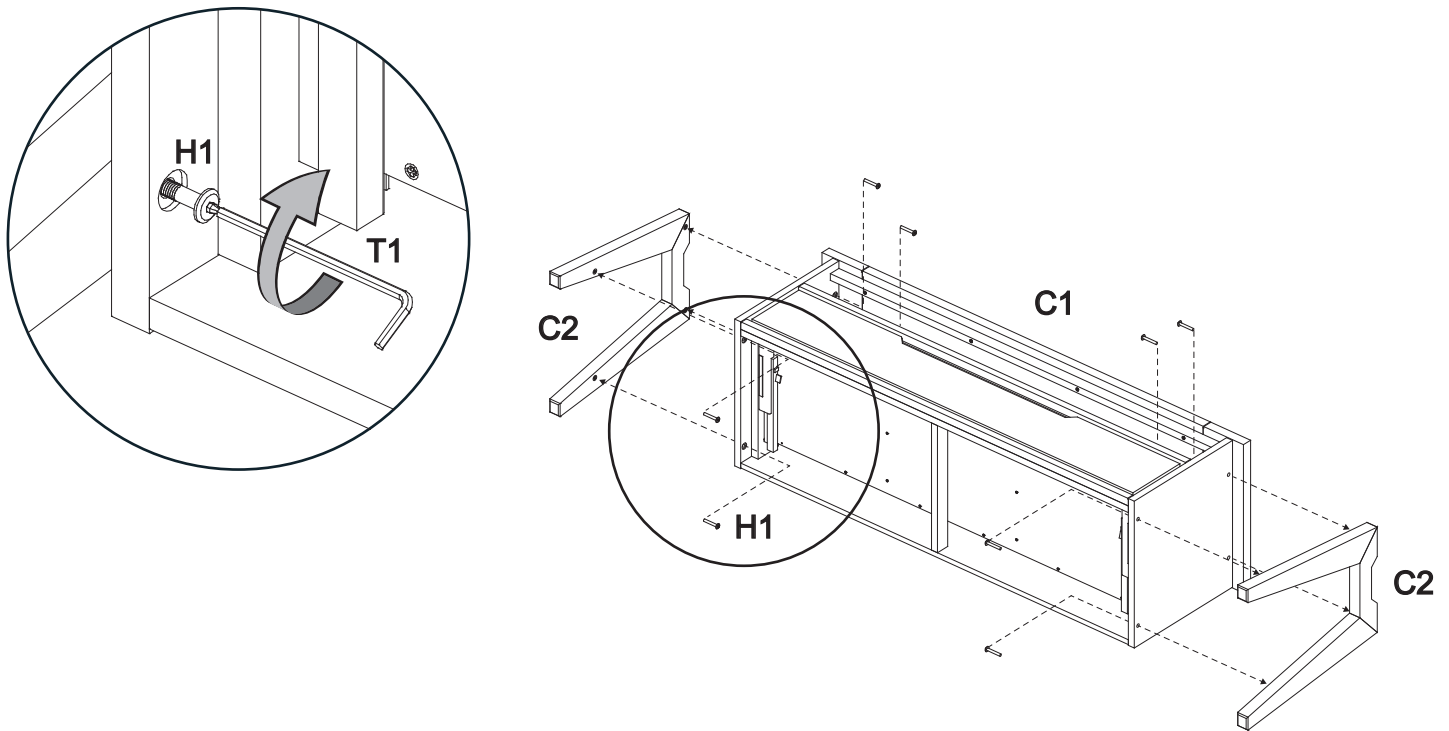
### Step 1

Unpack and identify the parts listed below. The assembly workspace should be a non-marring surface such as carpet. For missing hardware pieces, visit our website [www.mossdesign.us](http://www.mossdesign.us)



## Step 2 - Attach Leg frames to the top module.

Attach the **2 leg frames C2** to the **top module C1** and insert the **8 allen head bolts H1** into the slots, tighten the bolts using the **allen key T1** as shown below.



## Step 3 - End of the assembly.

Lift the unit to standing position carefully.

