

## WASHPARK DESK

MOSS  
DESIGN

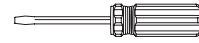
### Placement and Maintenance

Your WashPark Desk is designed for indoor use on level floors. Furniture with hard lacquer, wax polish or painted surface should be dusted with a dry cloth. Spillages should be wiped up as soon as possible. Our furniture will endure most temperatures in the home but it is best to avoid placing furniture next to heat sources such as radiators or fires.

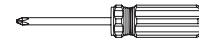
### Step 1

Unpack and identify the parts listed below. The assembly workspace should be a non-marring surface such as carpet. For missing hardware pieces, visit the customer support page on our website [www.mossdesign.us](http://www.mossdesign.us)

#### Tool Required:



Screwdriver



Slotted Screwdriver



Mallet or Hammer

#### Tool Provided:



T1 M4 Hex wrench x 1



H1 Wooden Dowel  
(8x35mm) x 4



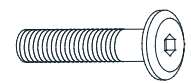
H2 Steel Dowel  
(52mm) x 4



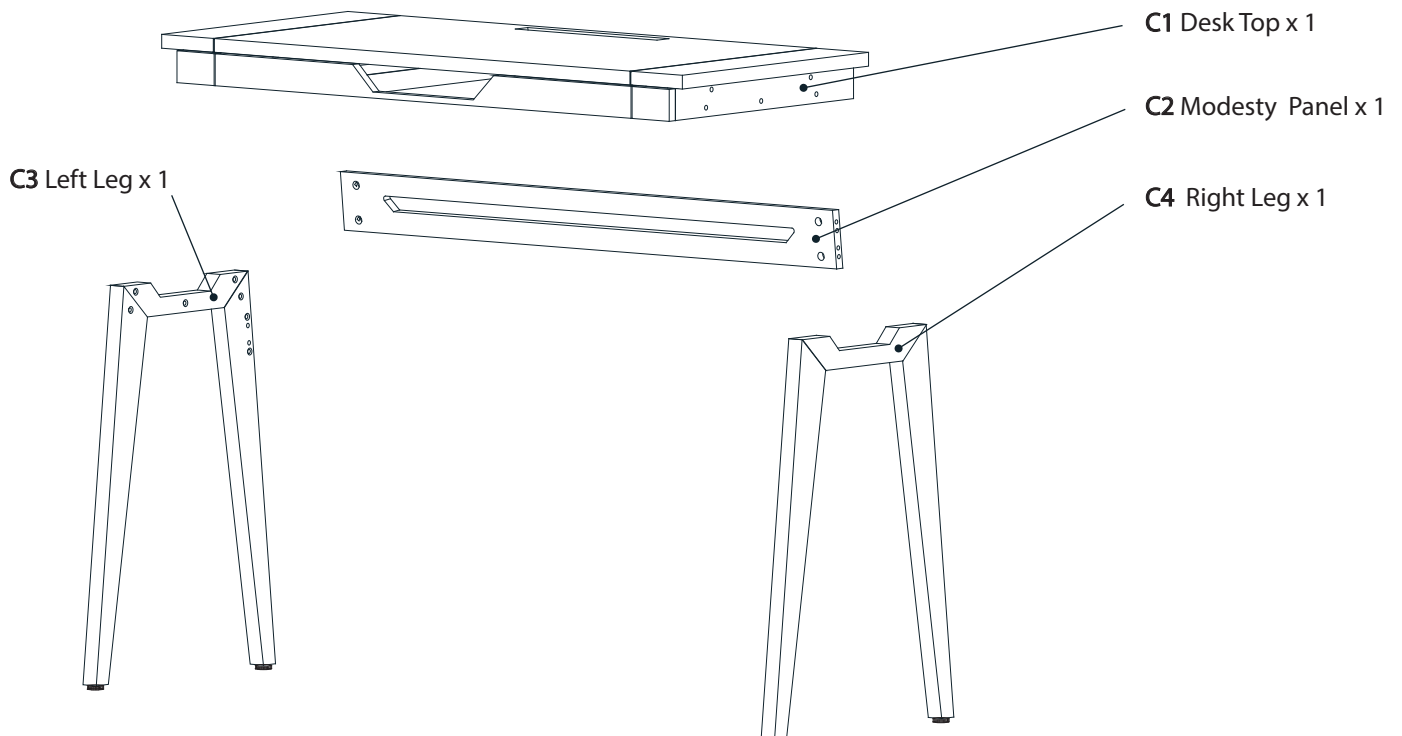
H3 Set screw x 4



H4 Barrel Housing x 4



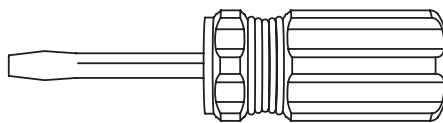
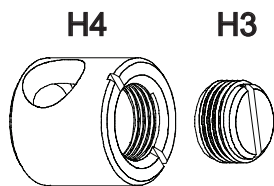
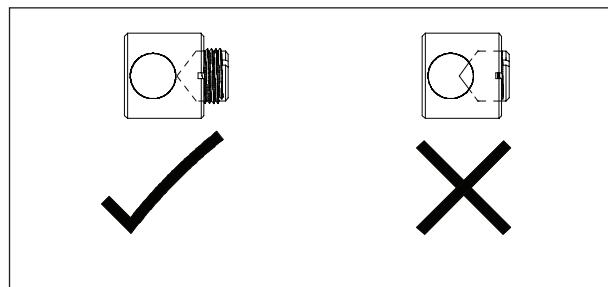
H5 Allen Head Bolt  
(M6x30mm) x 10



## Step 2 - Assemble barrel housing.

Using a slotted screwdriver, partially thread 4 set screws H3 into the 4 barrel housings H4.

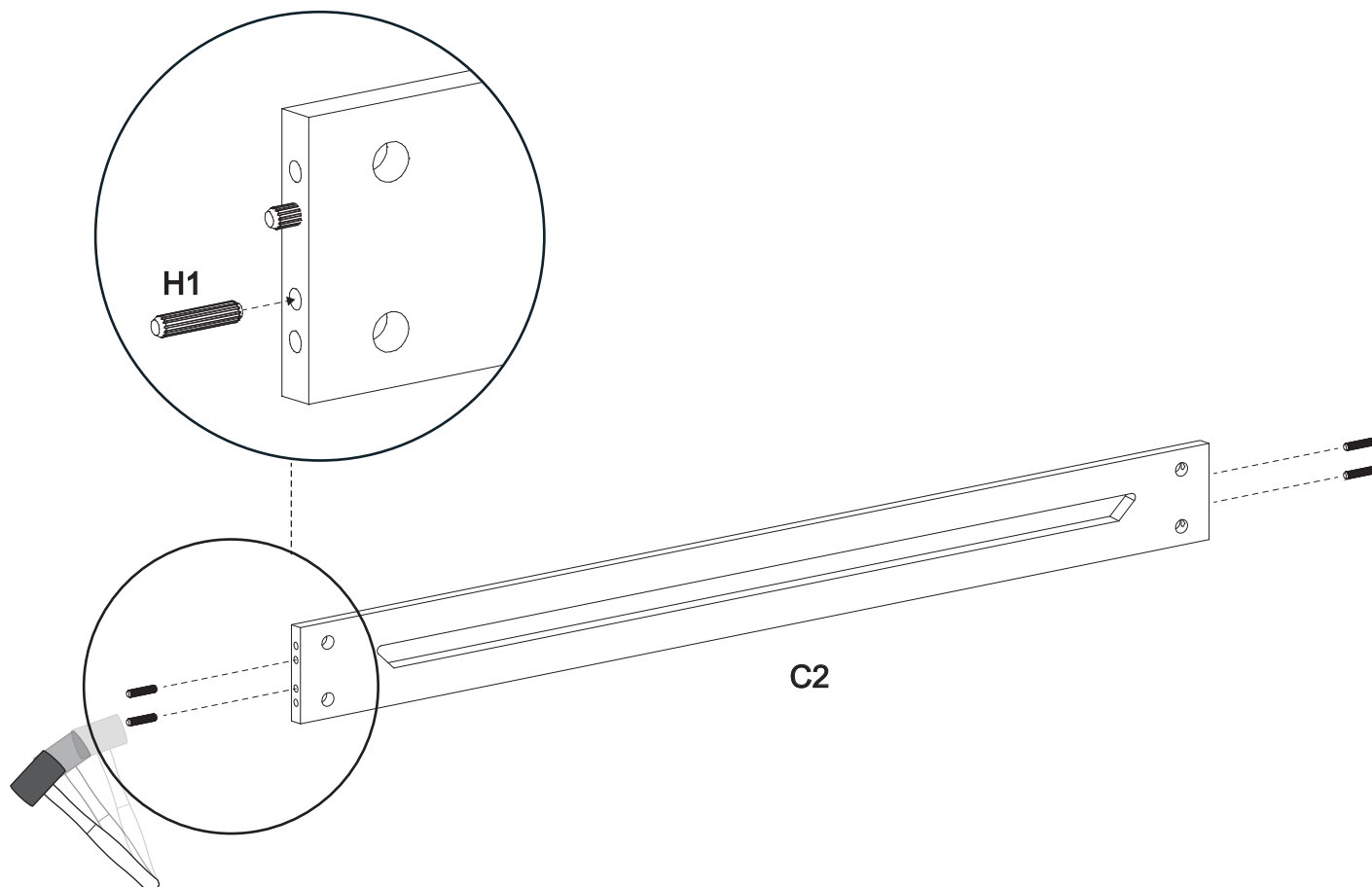
**DO NOT** thread more than a few clockwise turns!



Slotted Screwdriver

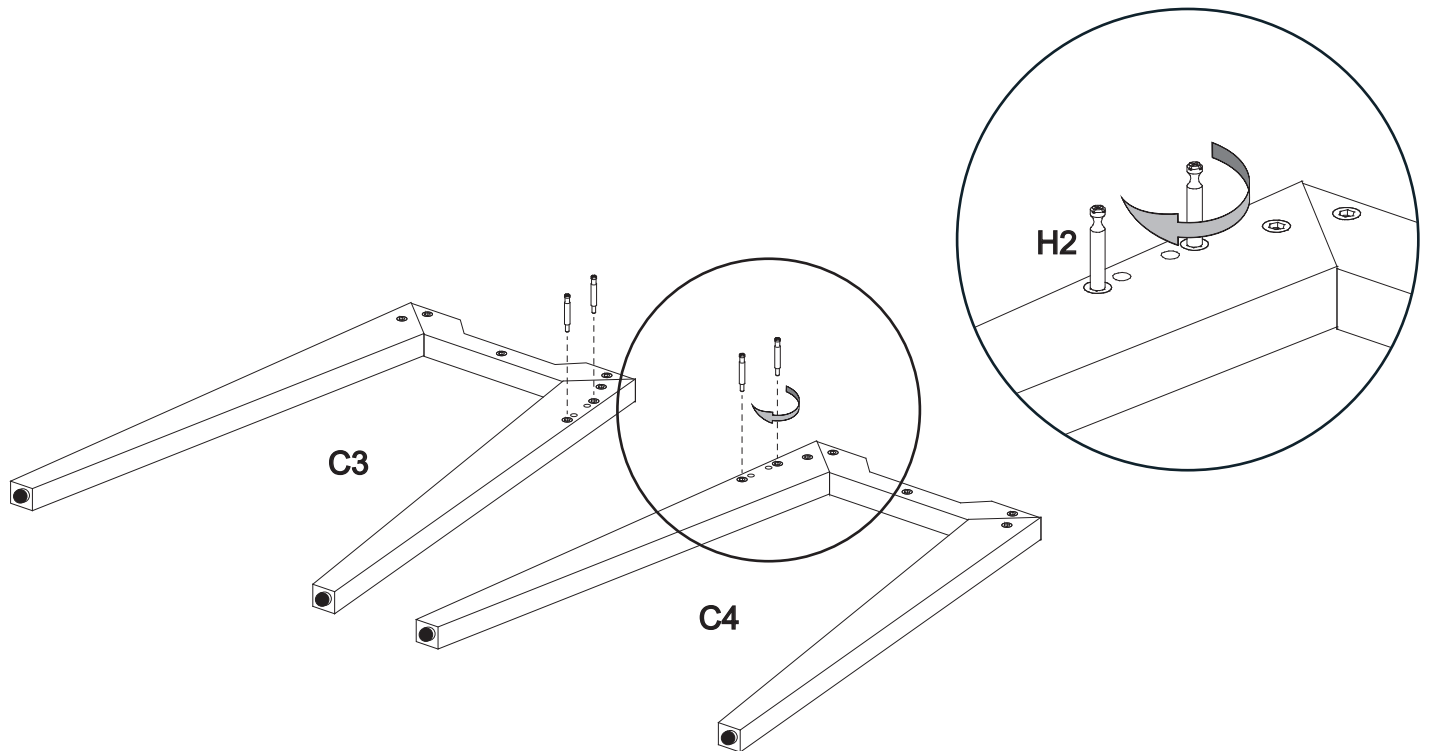
## Step 3 - Attach dowels to Modesty Panel.

Fix 4x wooden dowels H1 to modesty panel C2 by using a mallet.



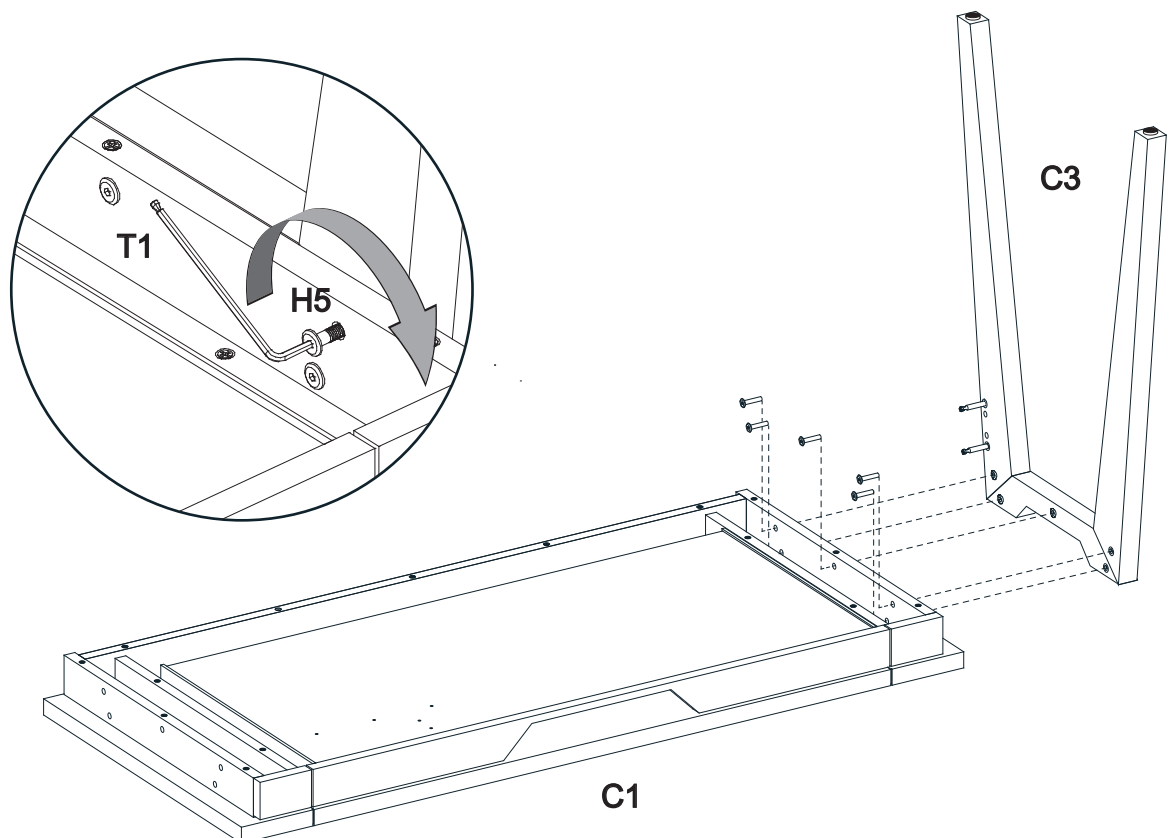
#### Step 4 - Attach hardware to legs.

Using either a slotted or screwdriver, thread **4 steel dowels H2** into the threaded inserts on the **2 leg frames** as shown.



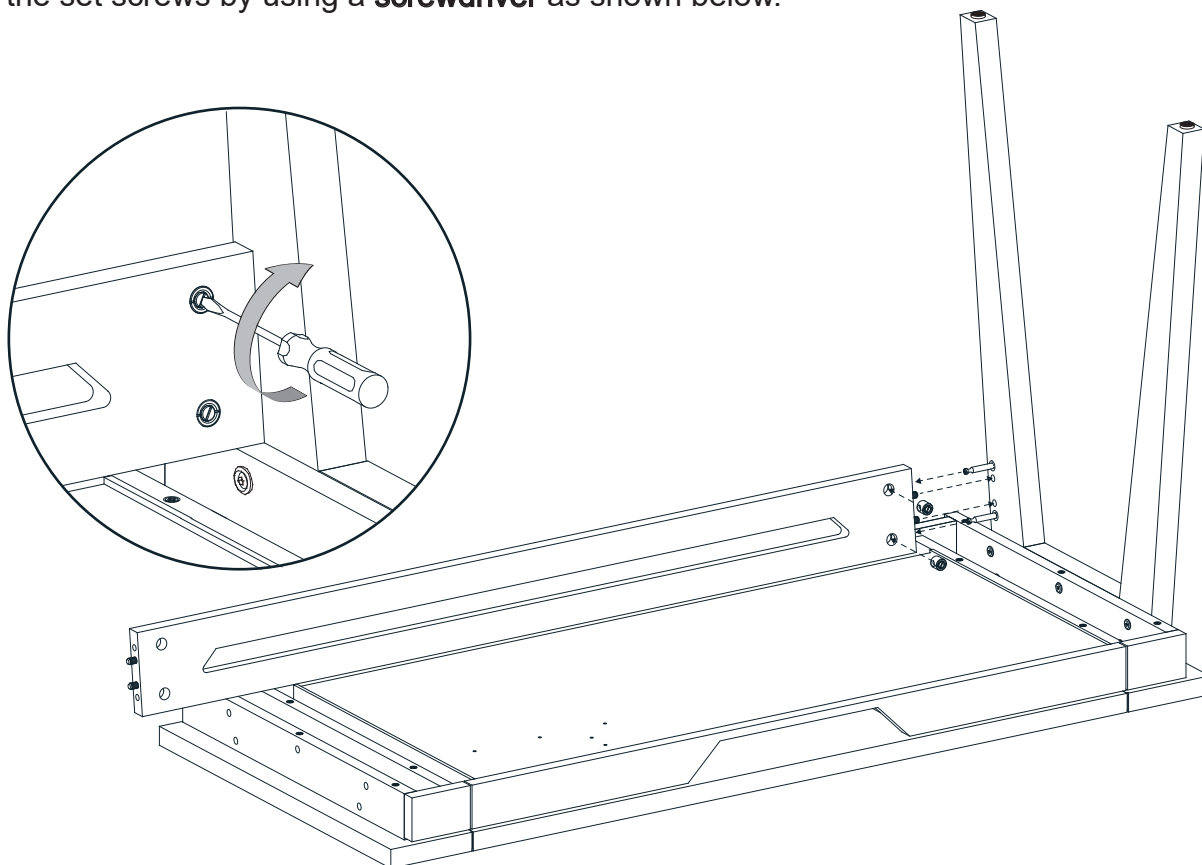
#### Step 5 - Left leg to desk top.

Bring the **left leg C3** closer to the **desk top C1** and insert the **5 allen head bolts H5** into the slots, tighten the bolt using the **hex wrench T1** as shown below.



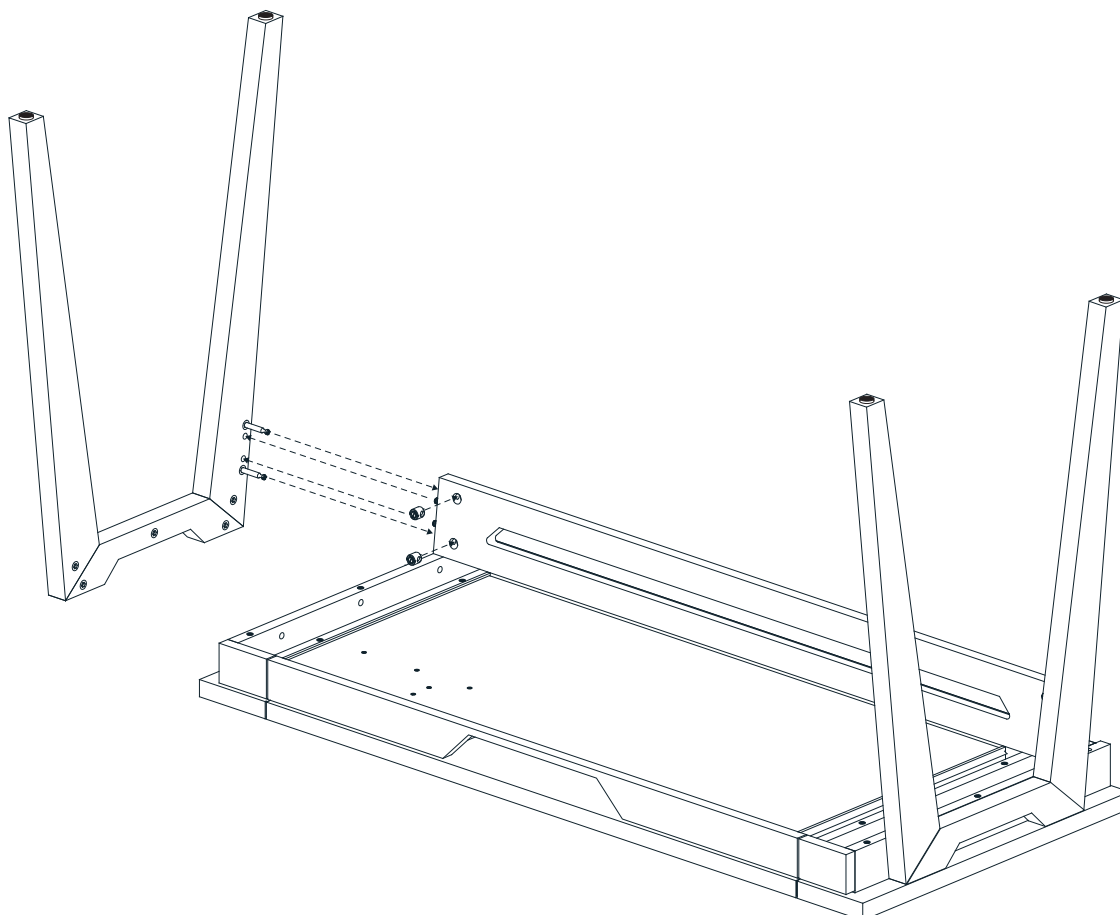
### Step 6 - Fix the modesty panel.

Place the **2 barrel housings H4** on the **modesty panel C2** , put the **modesty panel** on its final position tighten the set screws by using a **screwdriver** as shown below.



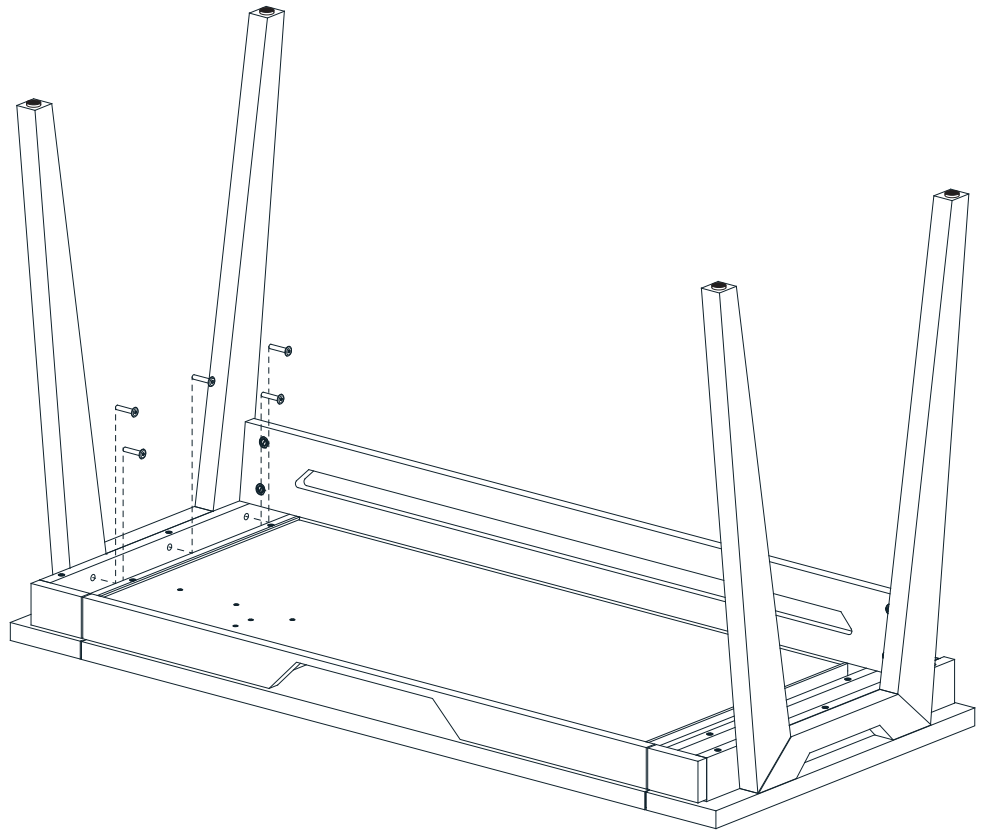
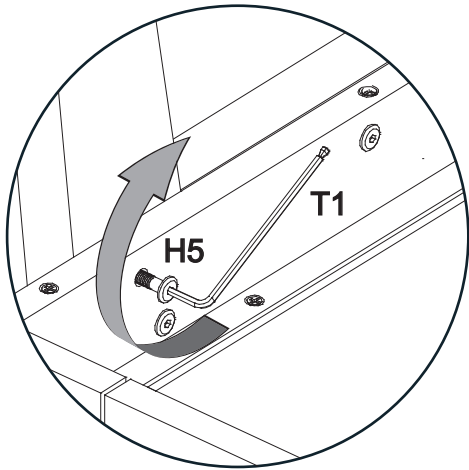
### Step 7 - Attach right leg to desk top.

Place the **2 barrel housings H4** on the modesty panel, put the steel dowels into place as shown below.



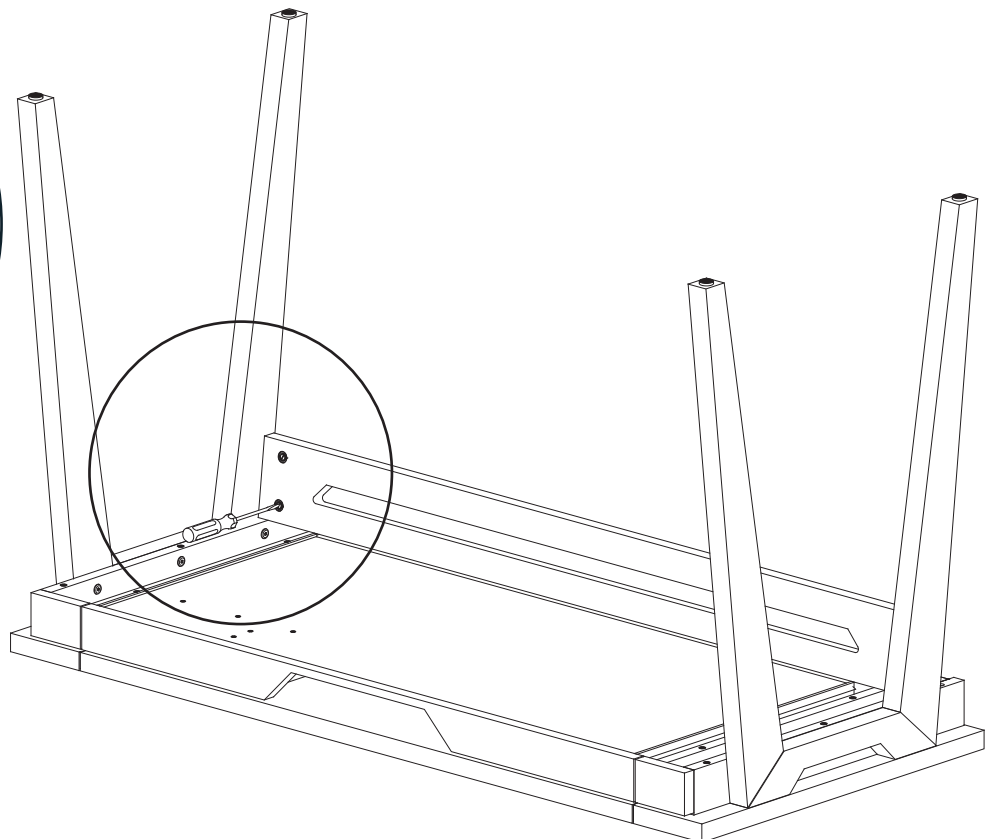
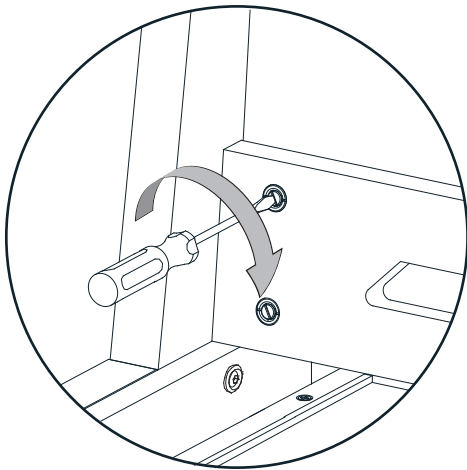
### Step 8 - Fix the right leg.

Insert the **5 allen head bolts H5** into the slots as shown below and tighten by using a **hex wrench T1**.



### Step 9 - Fix the modesty panel.

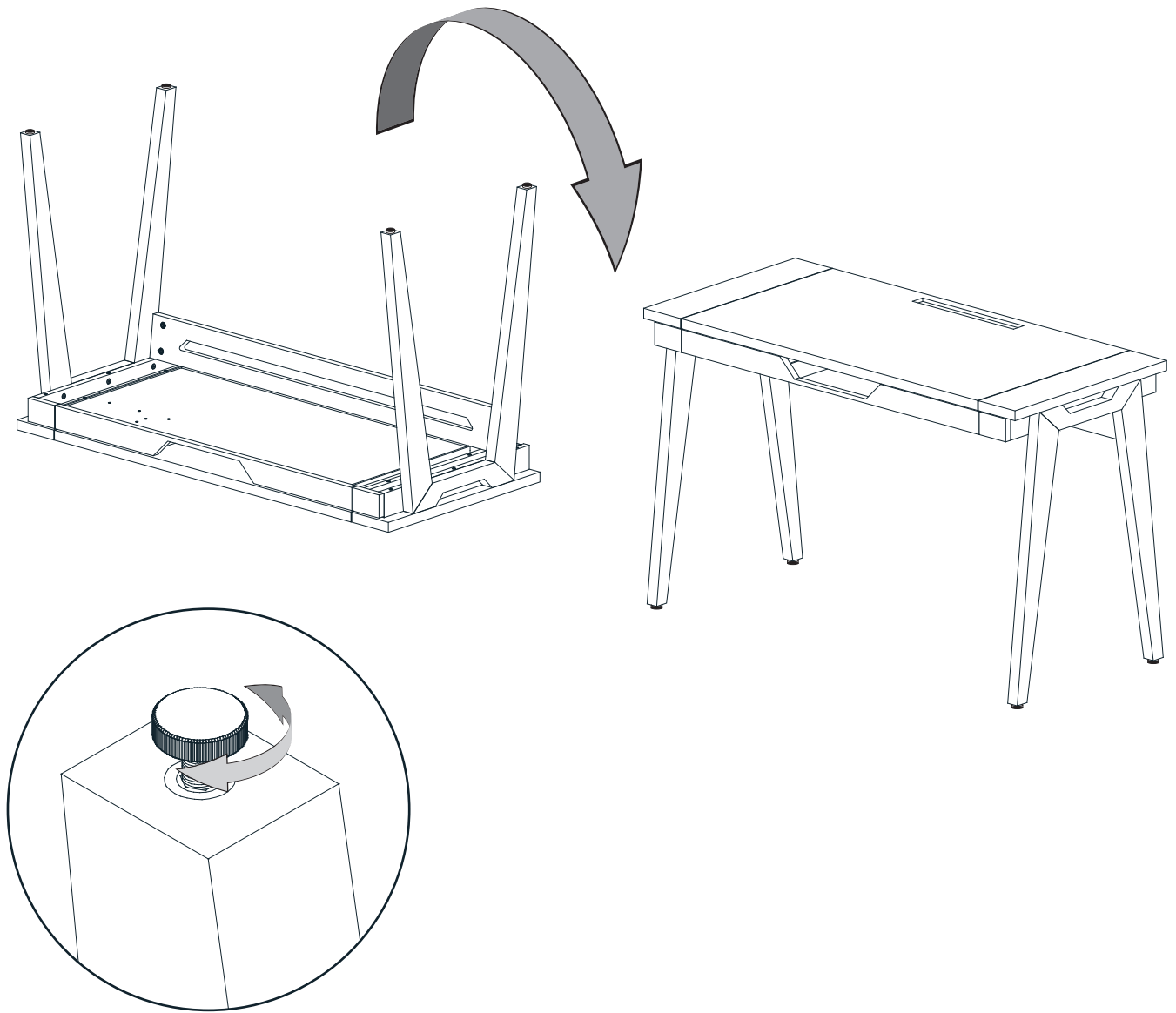
Tighten the **barrel housing H4** in the **modesty panel C2** by using a **screwdriver**.



## Step 10 - End of the assembly.

Lift the unit to standing position carefully.

Top panel max loading capacity 88 lb  
Drawer max loading capacity 15 lb



Moss Design is a trade name of a Colorado company Moss Furniture LLC  
[www.mossdesign.us](http://www.mossdesign.us)