

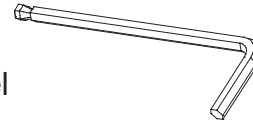
VAIL
EXTENDABLE TABLE

MOSS
DESIGN

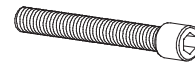
Placement and Maintenance

Your Vail Extendable Table is designed for indoor use on level floors. Furniture with hard lacquer, wax polish or painted surface should be dusted with a dry cloth. Spillages should be wiped up as soon as possible. Our furniture will endure most temperatures in the home but it is best to avoid placing furniture next to heat sources such as radiators or fires.

Tool Provided:



T1 M6 Allen Key x 1



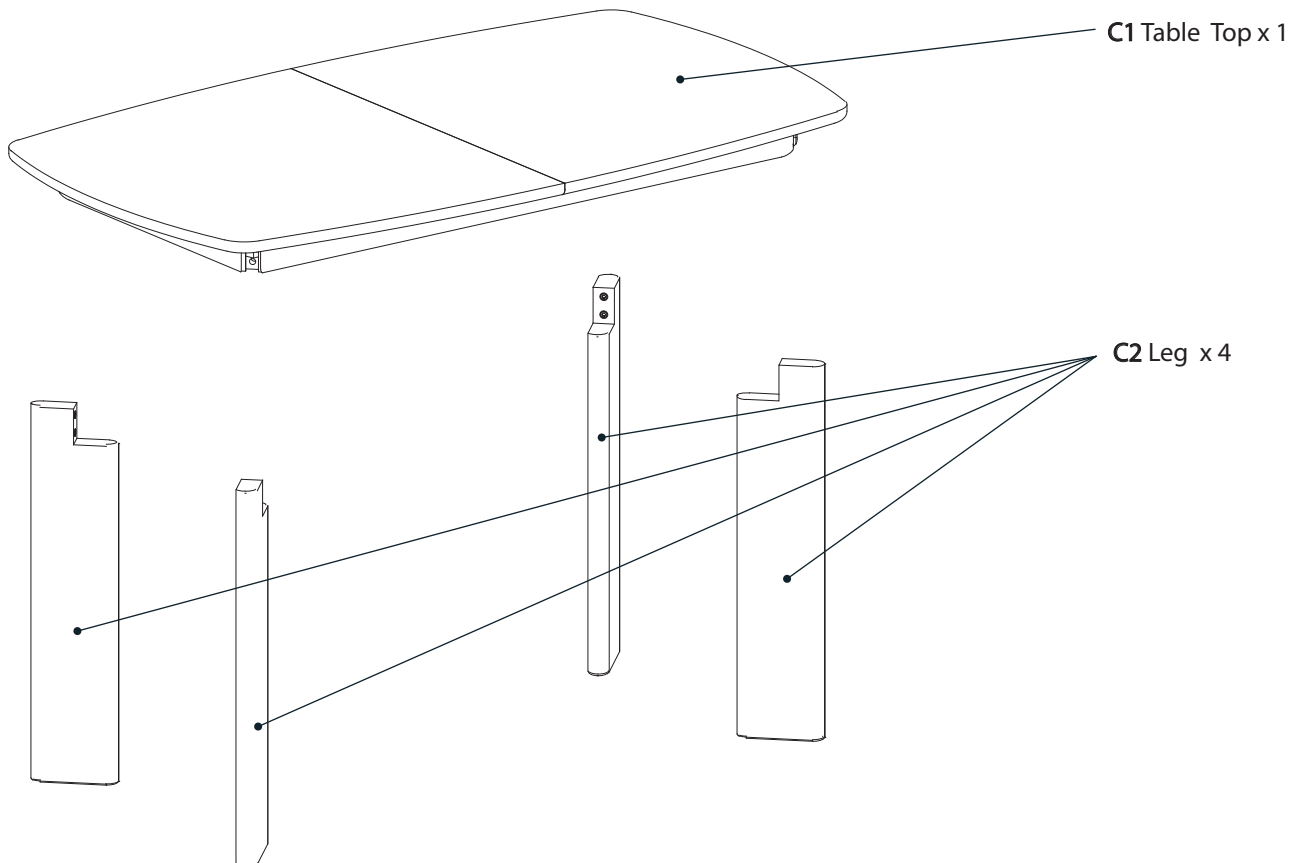
H1 Bolt
(8x50mm) x 8



H2 Washer x 8

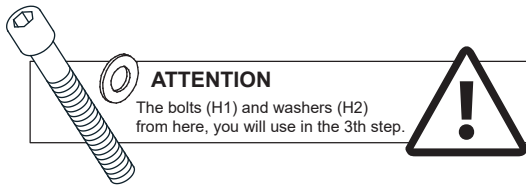
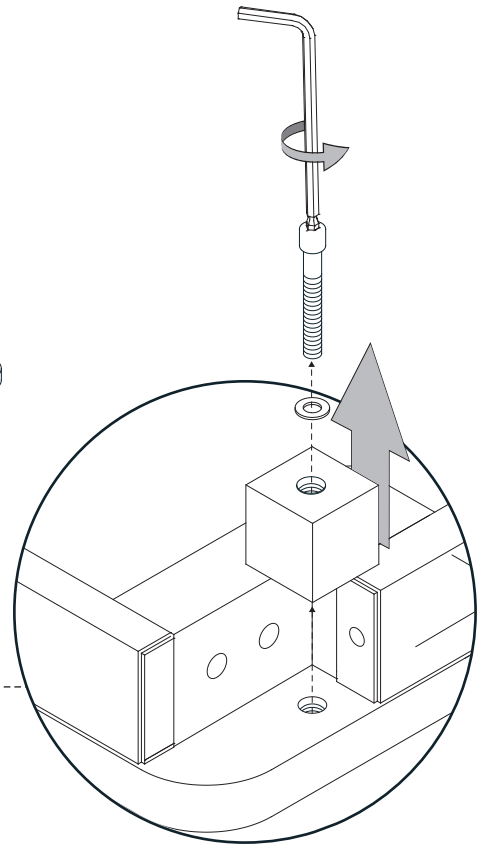
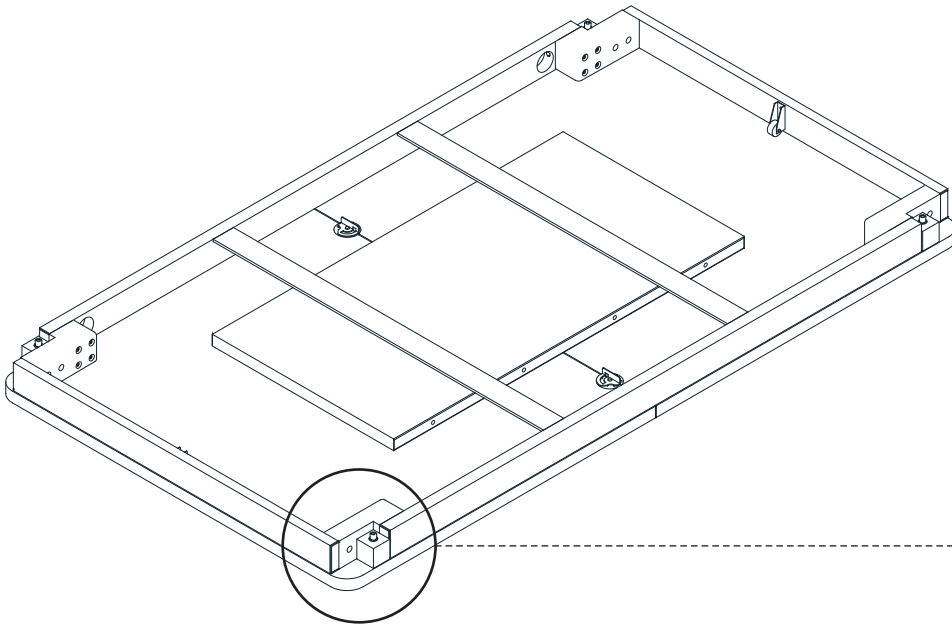
Step 1

Unpack and identify the parts listed below. It is required to have **2 people to carry and assemble** the units over 50lbs. The assembly workspace should be a non-marring **surface such as carpet**. For missing hardware pieces, visit our website www.mossdesign.us



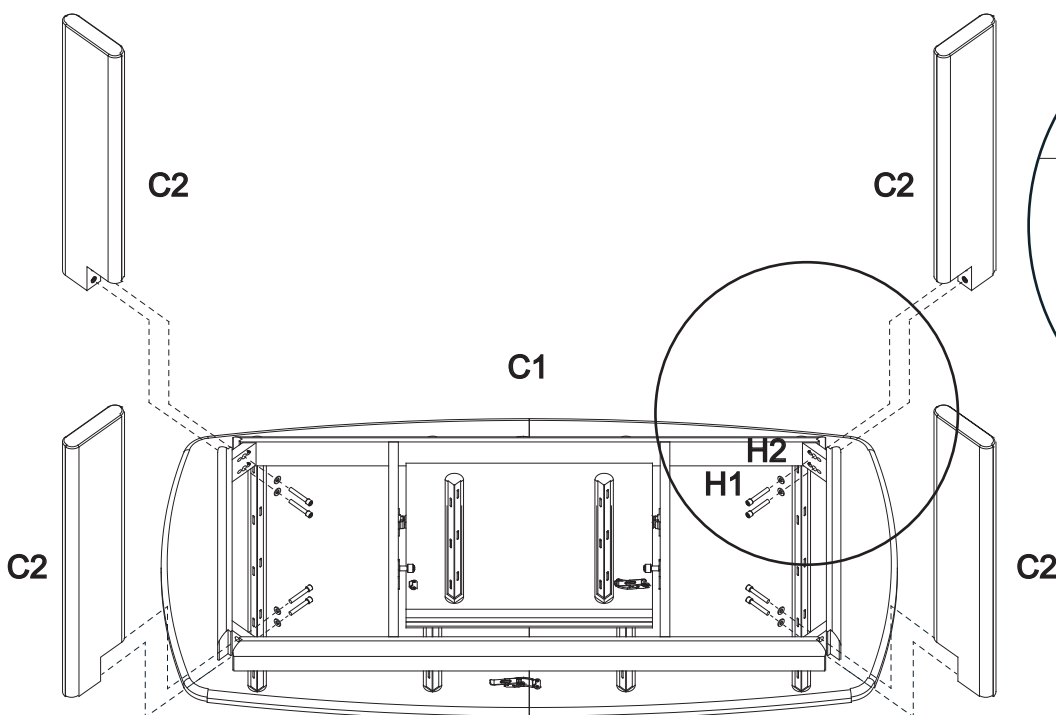
Step 2 - Remove the wedges.

Remove 4 **wedges** from the **Table top C1** by using an **allen key (T1)**.



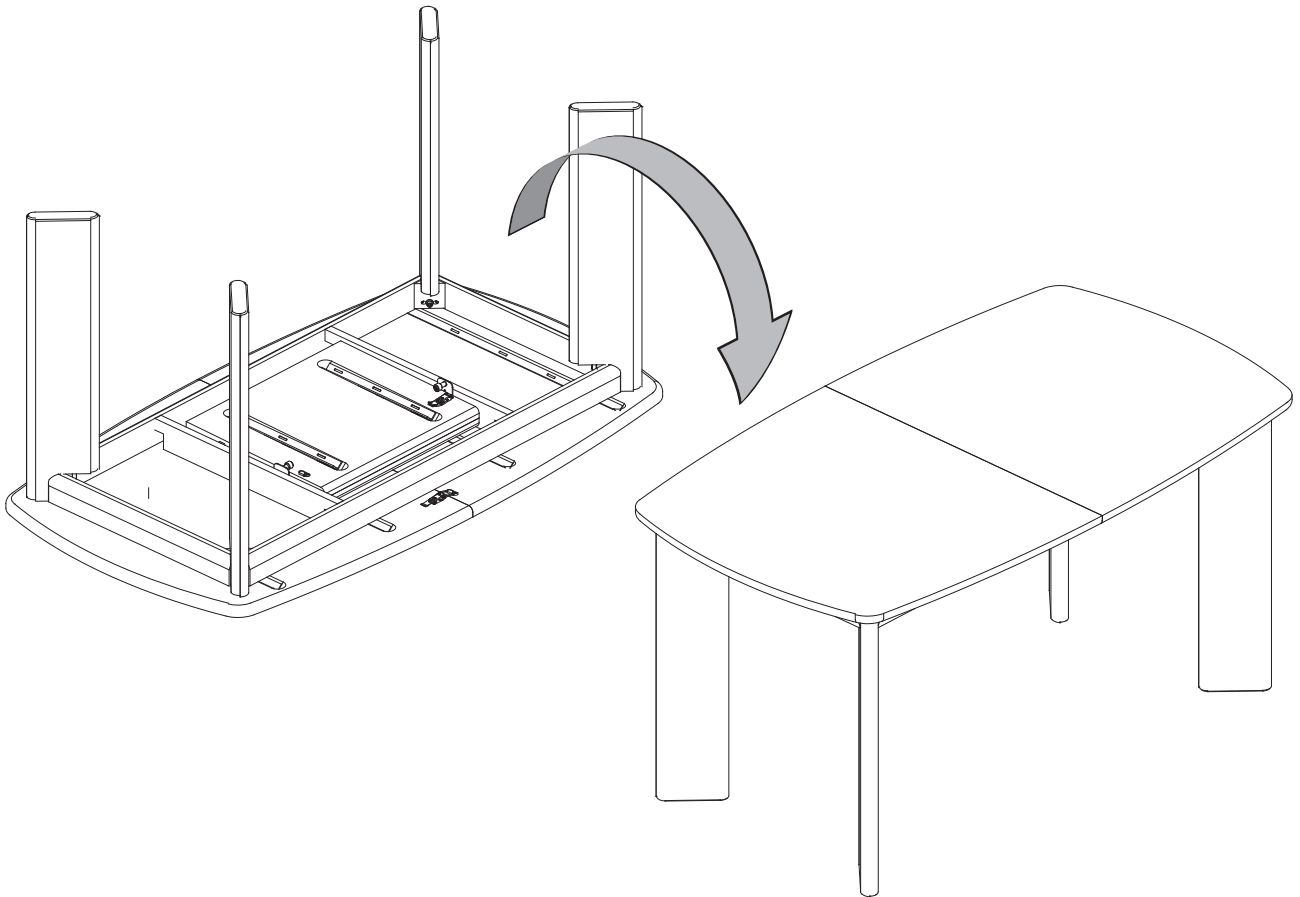
Step 3 - Attach legs to the table top.

Attach 4 legs **C2** to the **table top C1** by using 8 bolts **H1**, 8 washers **H2**, and the allen key **T1**.



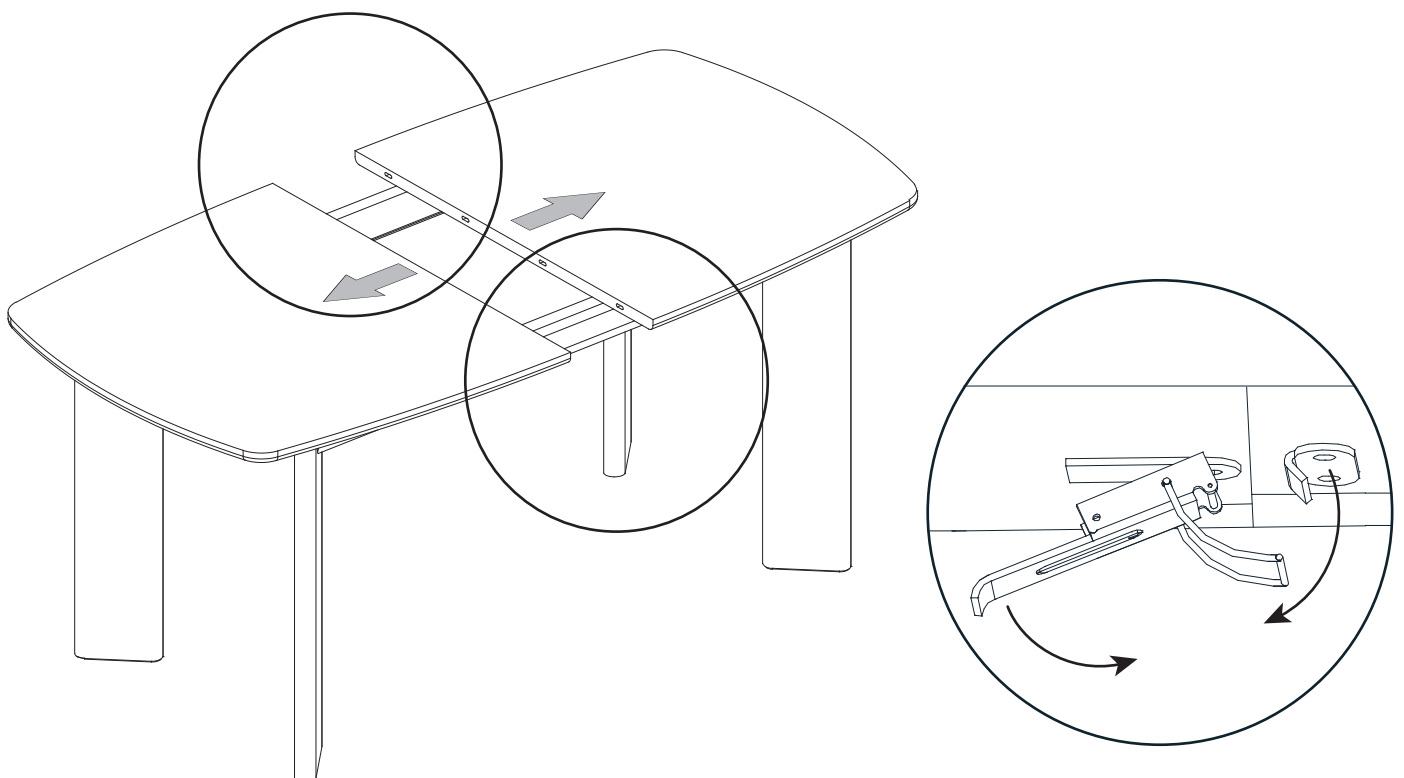
Step 4 - End of the assembly.

Lift the unit to standing position carefully.



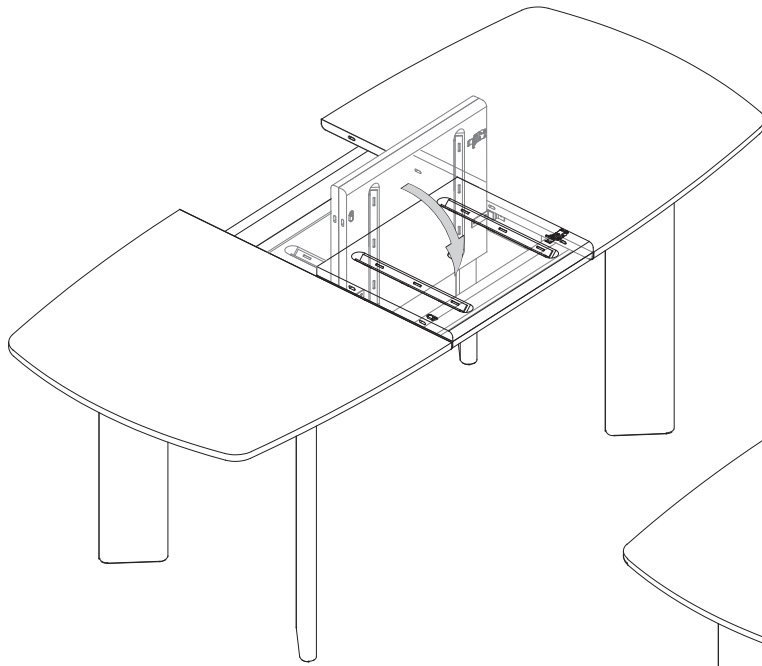
Step 5 - Extend the table.


In order to extend the table, first free the locks under the table top and slide apart the two halves of the table top as shown below.

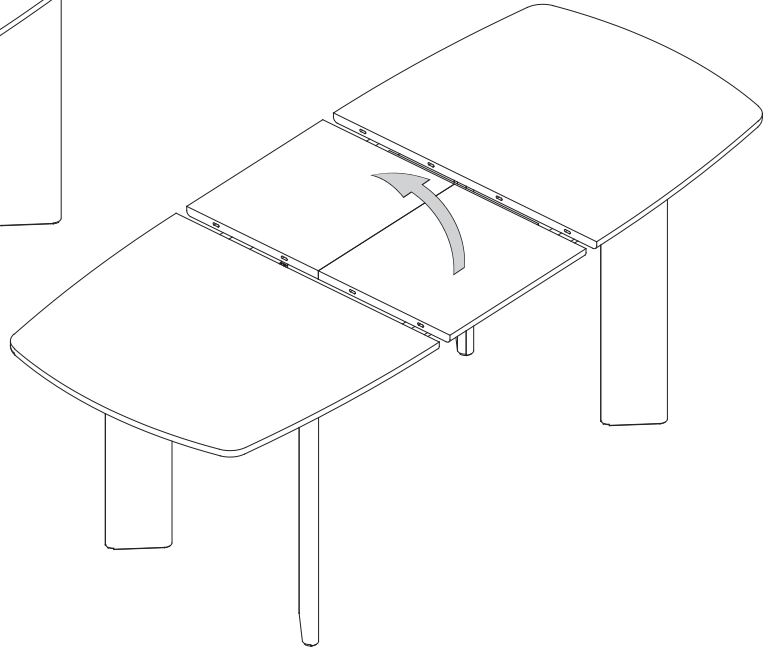


Step 5 - Rotate and open the extension leave.

Rotate and open the extension leaves as shown below.

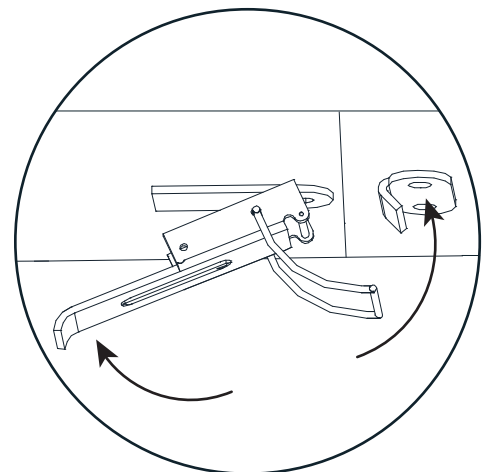
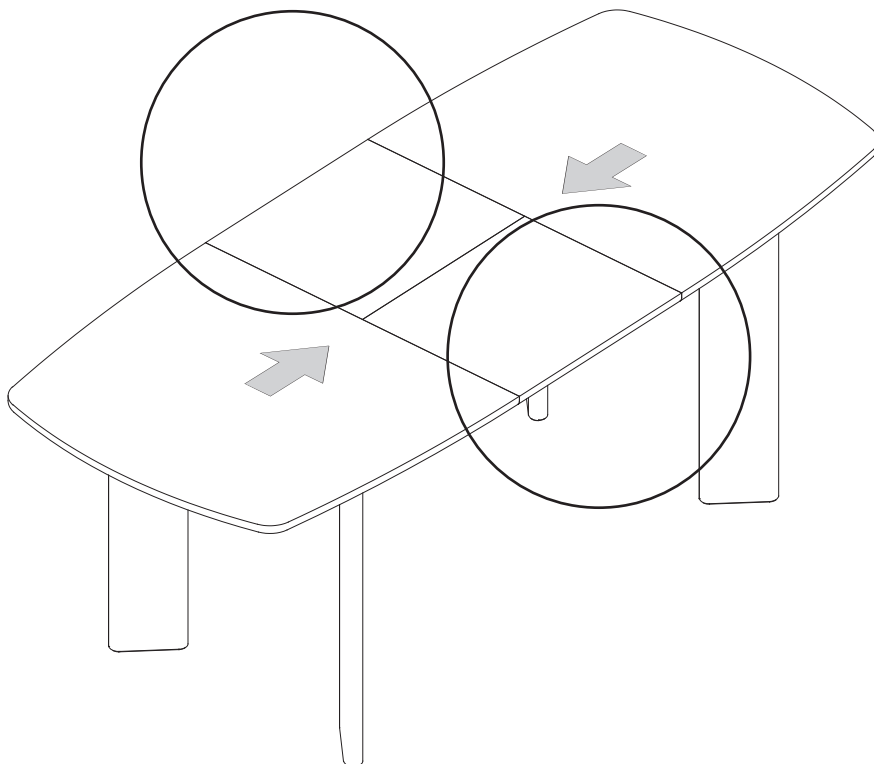


 Caution! Watch your hands when closing the extension leaves. Be sure to hold two leaves of the extension with both hands while folding it.



Step 7 - Place the extension leaf.

Move the top panels closer on both sides and use catch locks to fix them.



Step 8 - End of the assembly.

