

VAIL  
BENCH

MOSS  
DESIGN

## Placement and Maintenance

Your Vail Bench is designed for indoor use on level floors. Furniture with hard lacquer, wax polish or painted surface should be dusted with a dry cloth. Spillages should be wiped up as soon as possible. Our furniture will endure most temperatures in the home but it is best to avoid placing furniture next to heat sources such as radiators or fires.

## Step 1

Unpack and identify the parts listed below. It is required to have **2 people to carry and assemble** the units over 50lbs. The assembly workspace should be a non-marring **surface such as carpet**. For missing hardware pieces, visit our website [www.mossdesign.us](http://www.mossdesign.us)

### Tool Required:

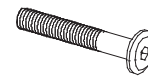


Mallet or Hammer

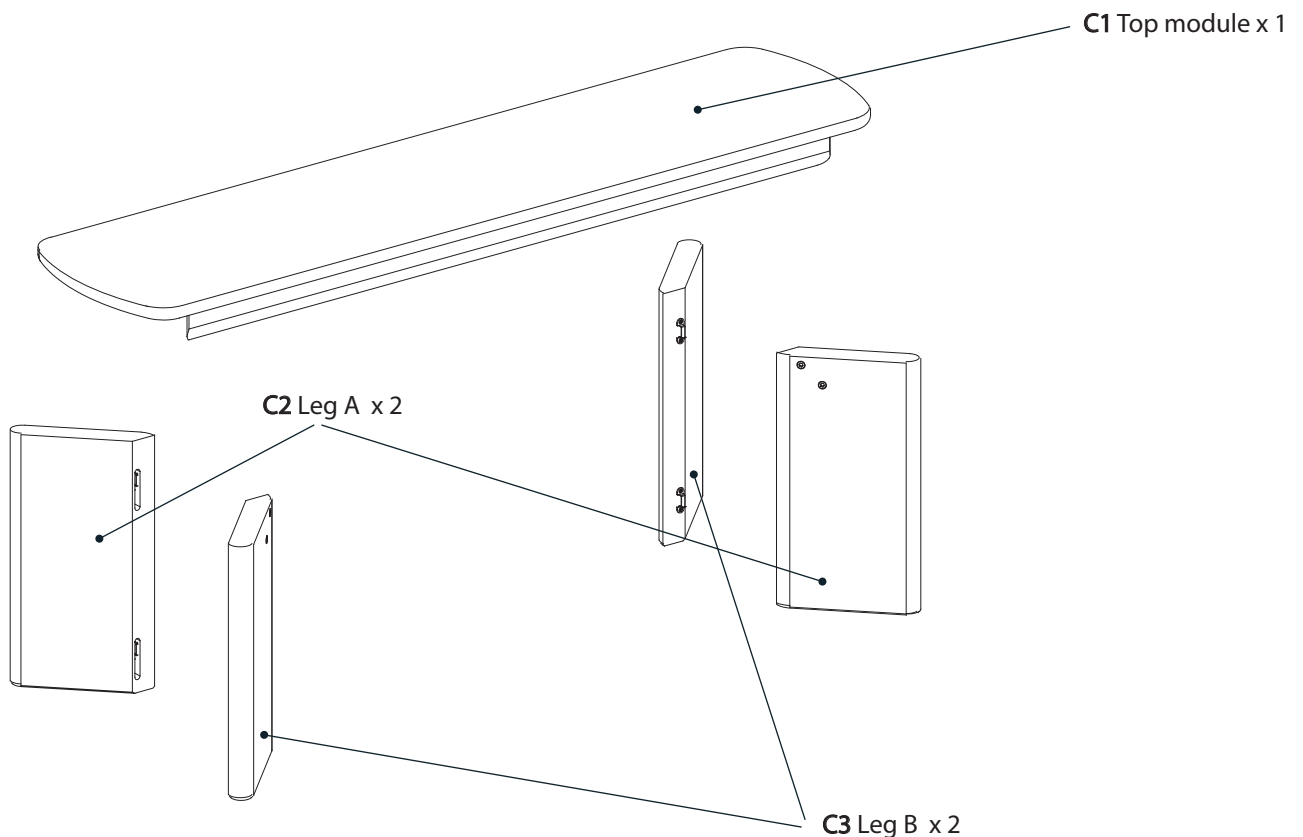
### Tool Provided:



T1 M4 Allen Key x 1

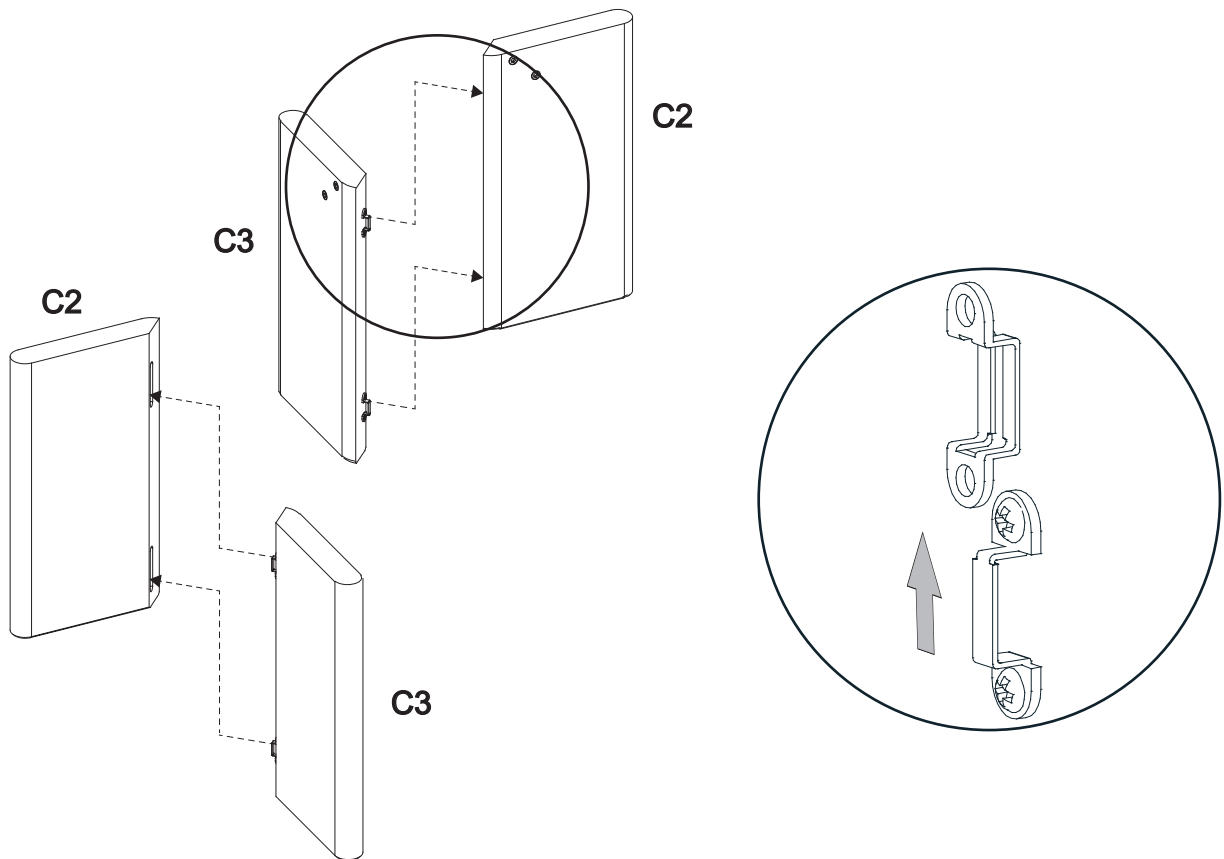


H1 Bolt  
(6x40mm) x 8



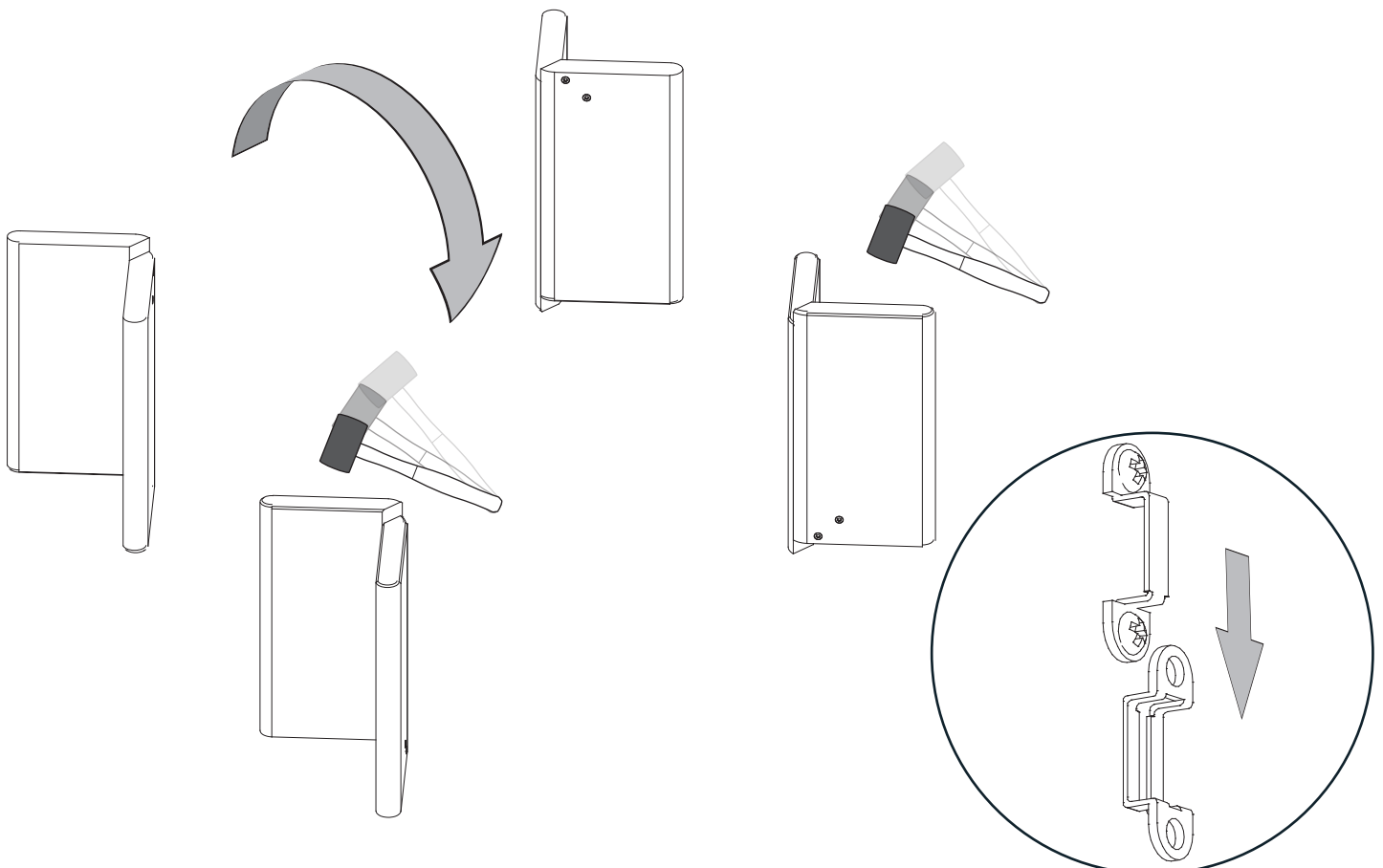
## Step 2 - Attach the legs.

Attach the **leg B C3** to the **leg A C2** as shown below.



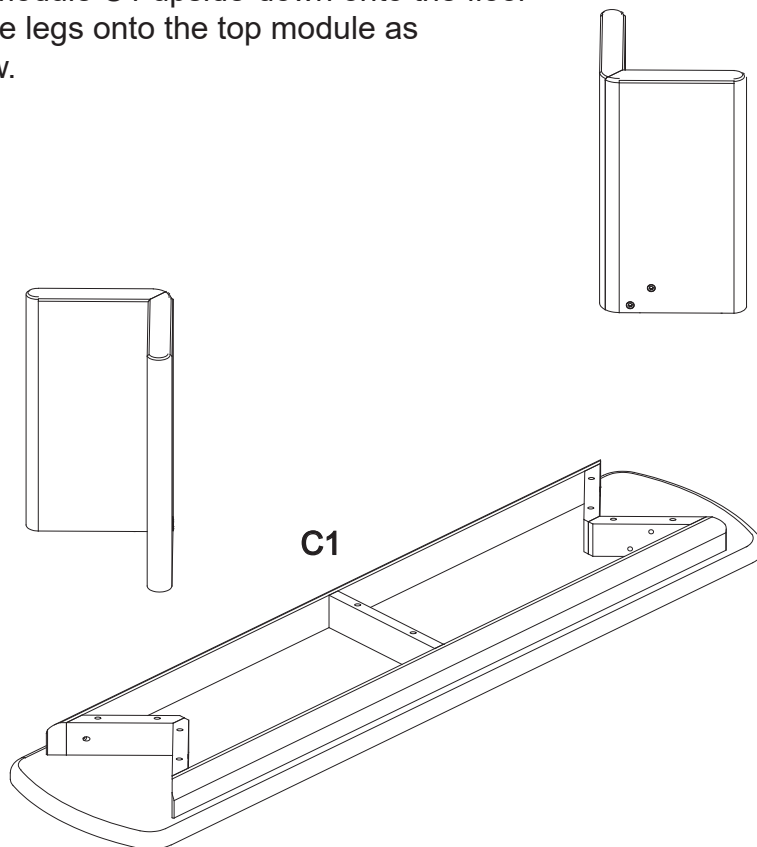
## Step 3 - Fix the legs.

Fix the legs by using the **mallet T2** as shown below.



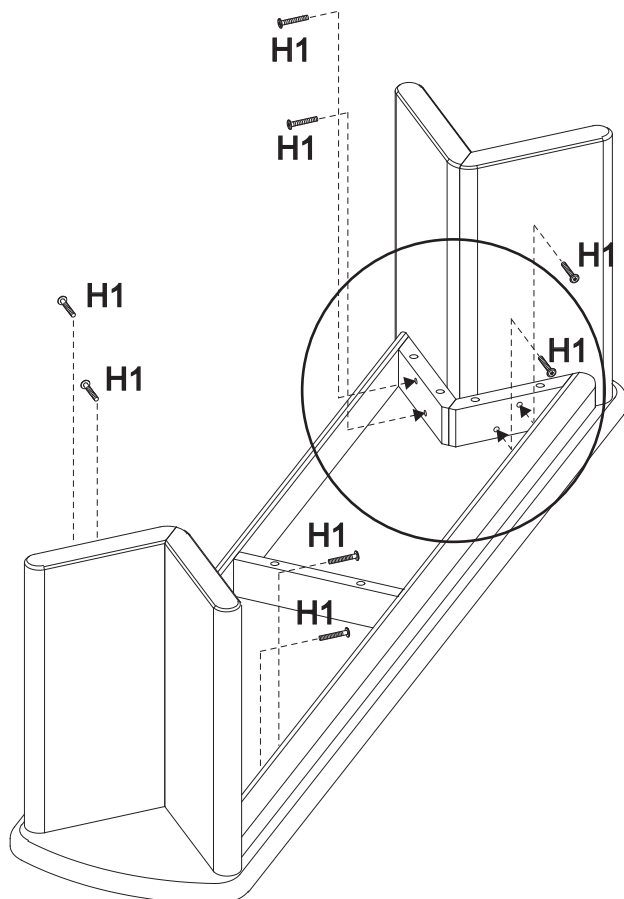
#### Step 4 - Place legs onto the top module.

Put the top module C1 upside-down onto the floor and place the legs onto the top module as shown below.

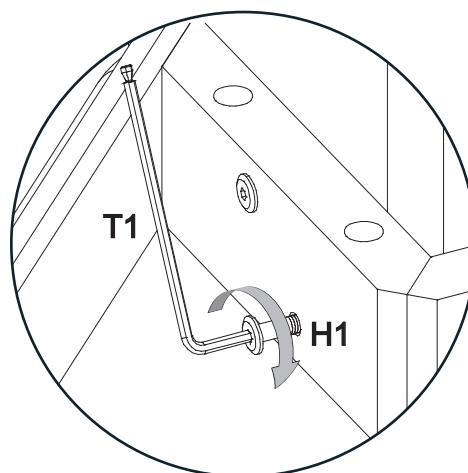


#### Step 5 - Fix the legs by using allen bolts.

Use 8 bolts H1 to fix the legs to the top module. Tighten by using allen key T1.



! Check the firmness of the imbus bolts every 6 months.



**Step 6 - End of the assembly.**

Lift the until to standing position carefully.

