

PERLE
TABLE

MOSS
DESIGN

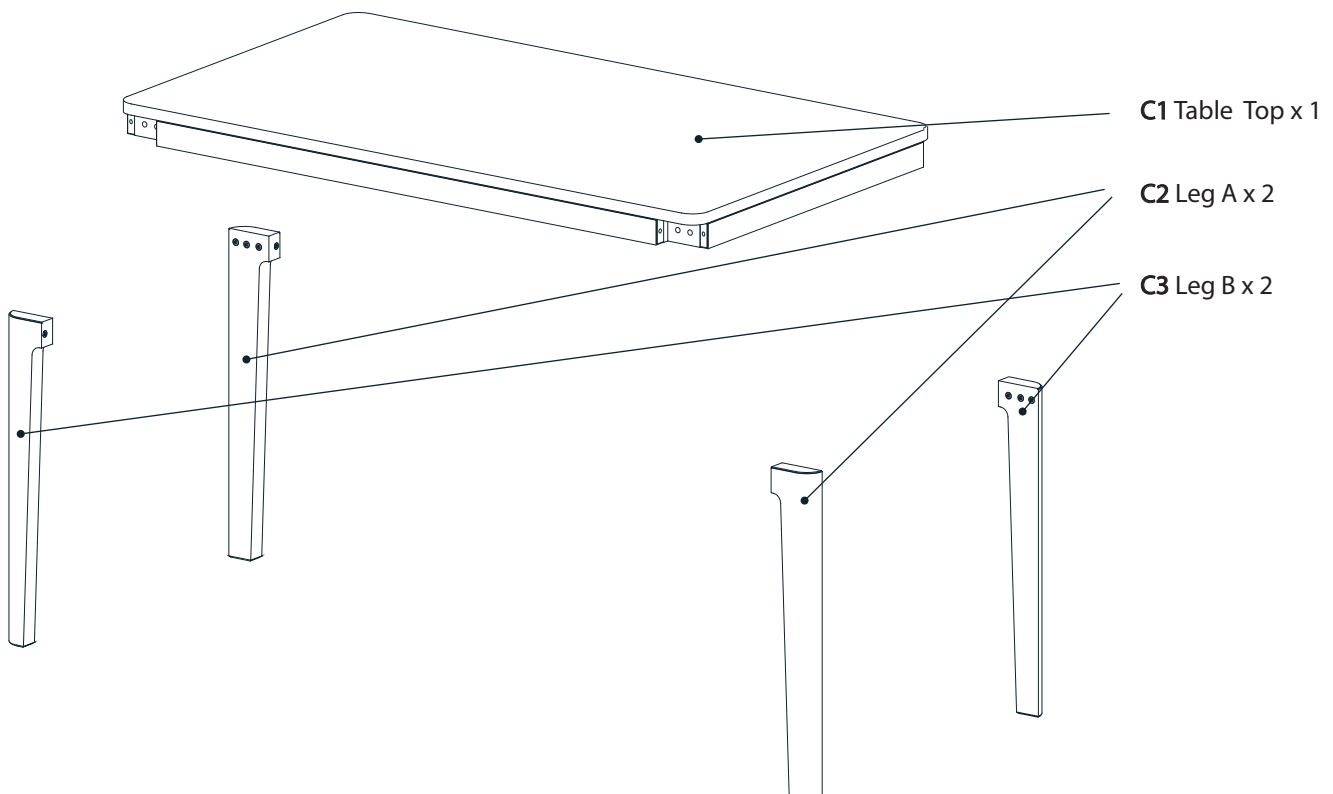
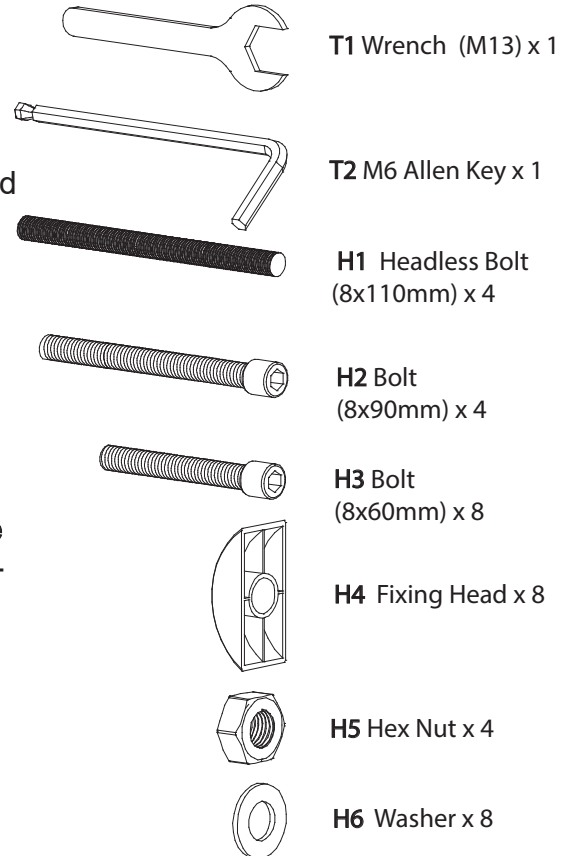
Placement and Maintenance

Your Perle Table is designed for indoor use on level floors. Furniture with hard lacquer, wax polish or painted surface should be dusted with a dry cloth. Spillages should be wiped up as soon as possible. Our furniture will endure most temperatures in the home but it is best to avoid placing furniture next to heat sources such as radiators or fires.

Step 1

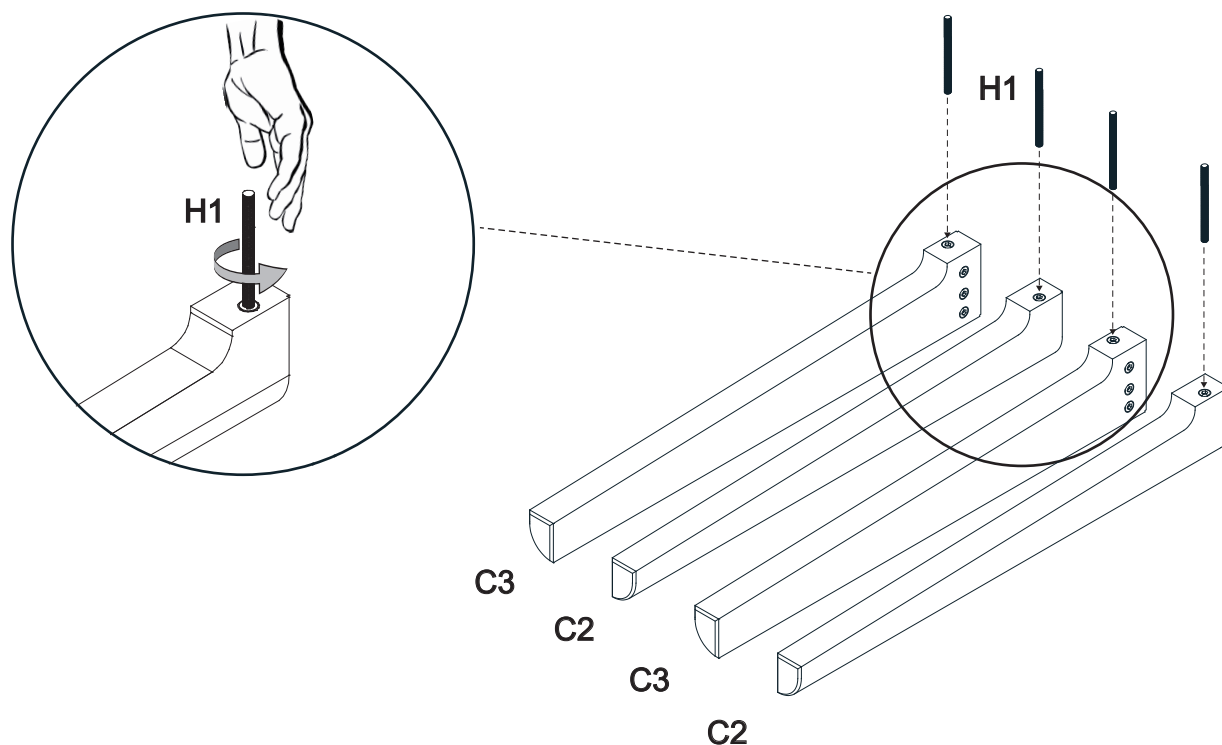
Unpack and identify the parts listed below. It is required to have **2 people to carry and assemble** the units over 50lbs. The assembly workspace should be a non-marring **surface such as carpet**. For missing hardware pieces, visit our website www.mossdesign.us

Tool Provided:



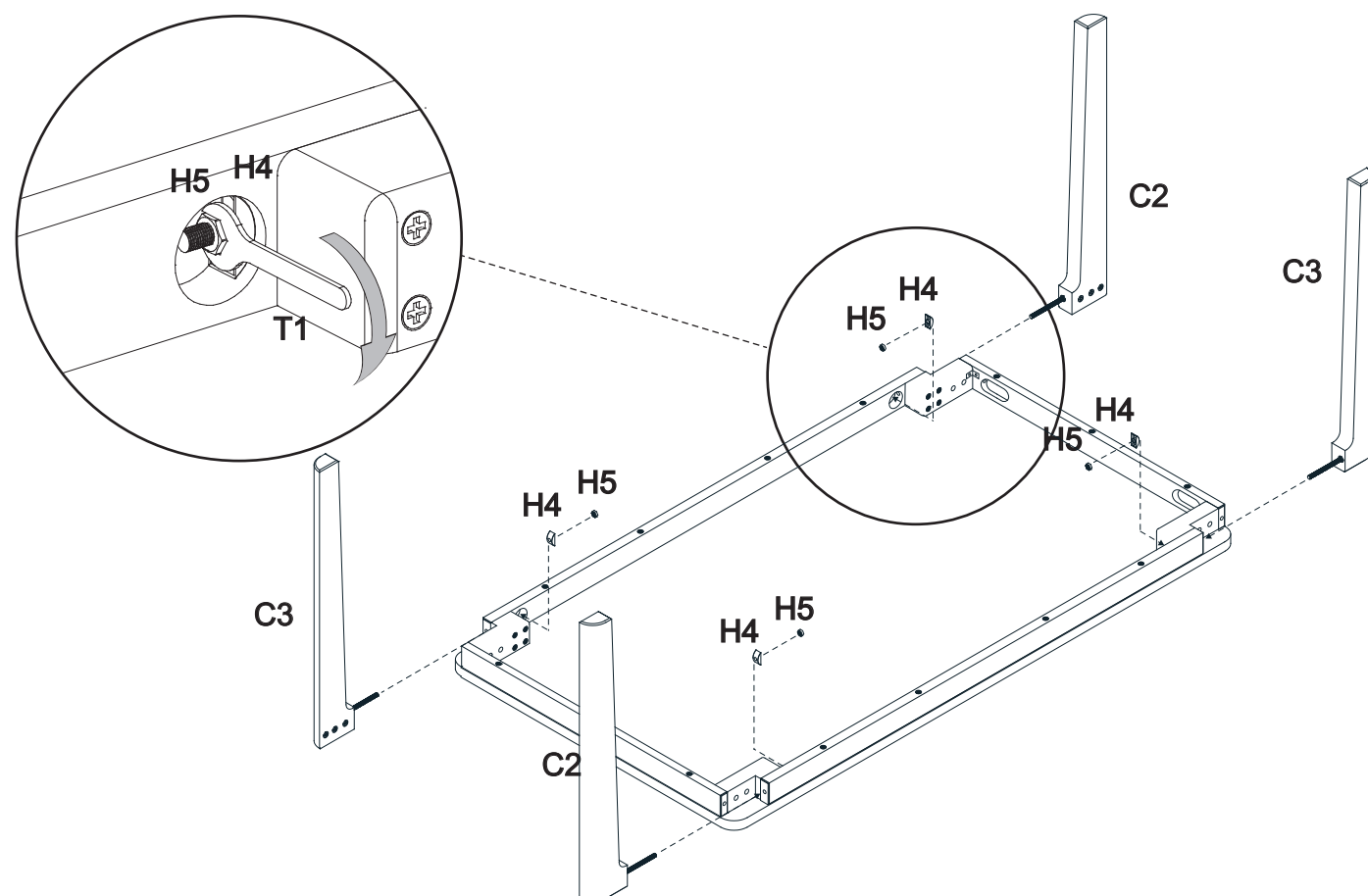
Step 2 - Fix the headless bolt to legs.

Fix 4 headless bolts H1 to the legs C2, C3 by hand.



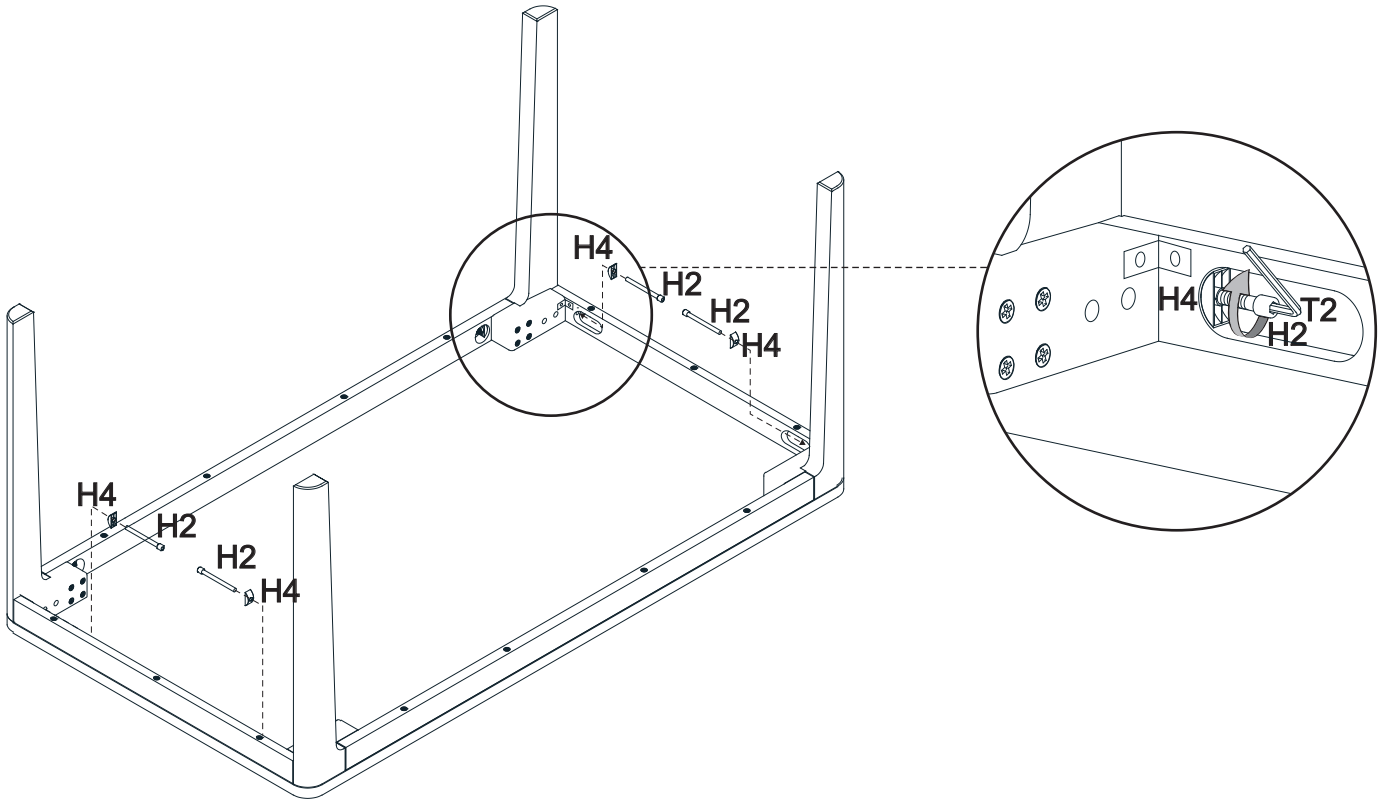
Step 3 - Attach legs to top module

Place 4 fixing heads H4 into the slots on the bottom rails. Attach the legs C2, C3 to the top module C1 as shown below. Then fix the 4 hex nuts H5 by using the wrench T1.



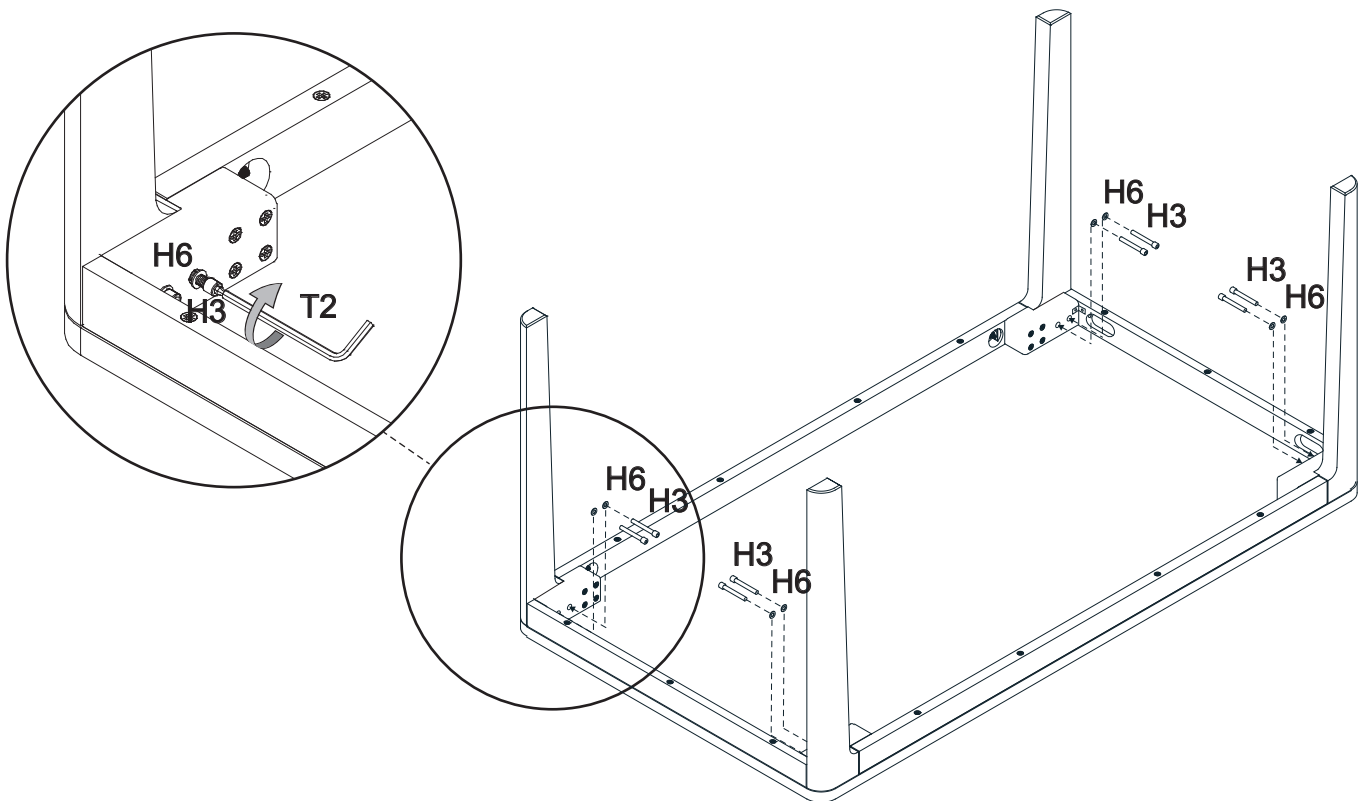
Step 4 - Fix additional bolts.

Use **4 bolts H2** and **4 fixing heads H4** for additional support.



Step 5 - Fix the legs by using bolts.

Use **8 bolts H3** and **8 washers H6** to fix the legs onto the table top.



Step 6 - End of the assembly.

Lift the unit to standing position carefully.

