

## PERLE EXTENDABLE TABLE

# MOSS DESIGN

### Placement and Maintenance

Your Perle Extending Table is designed for indoor use on level floors. Furniture with hard lacquer, wax polish or painted surface should be dusted with a dry cloth. Spillages should be wiped up as soon as possible. Our furniture will endure most temperatures in the home but it is best to avoid placing furniture next to heat sources such as radiators or fires.

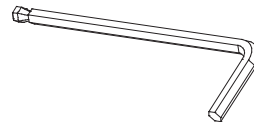
### Step 1

Unpack and identify the parts listed below. It is required to have **2 people to carry and assemble** the units over 50lbs. The assembly workspace should be a non-marring **surface such as carpet**. For missing hardware pieces, visit our website [www.mossdesign.us](http://www.mossdesign.us)

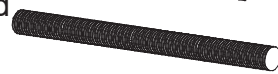
### Tool Provided:



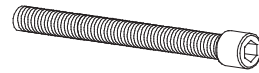
T1 Wrench (M13) x 1



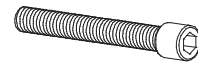
T2 M6 Allen Key x 1




H1 Headless Bolt  
(8x110mm) x 4

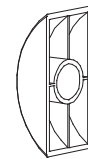


H2 Bolt  
(8x90mm) x 4



H3 Bolt  
(8x60mm) x 8

 **Please Note:**  
4 in pack and 4 embedded  
in wood blocks (See Step 2)




H4 Fixing Head x 8

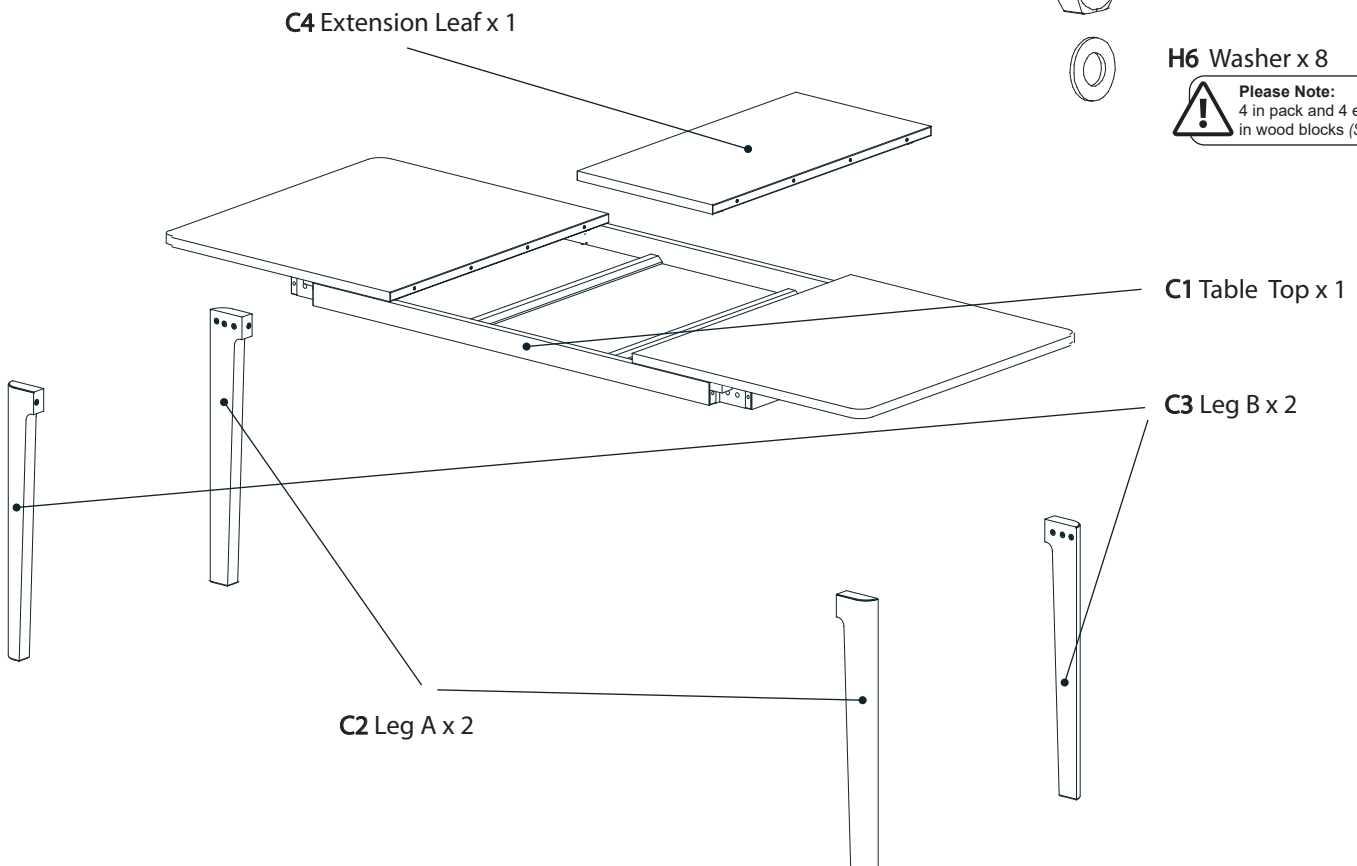


H5 Hex Nut x 4



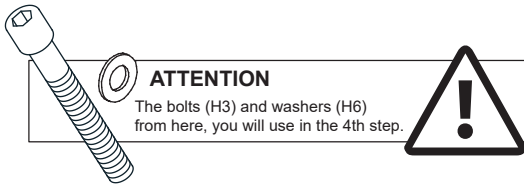
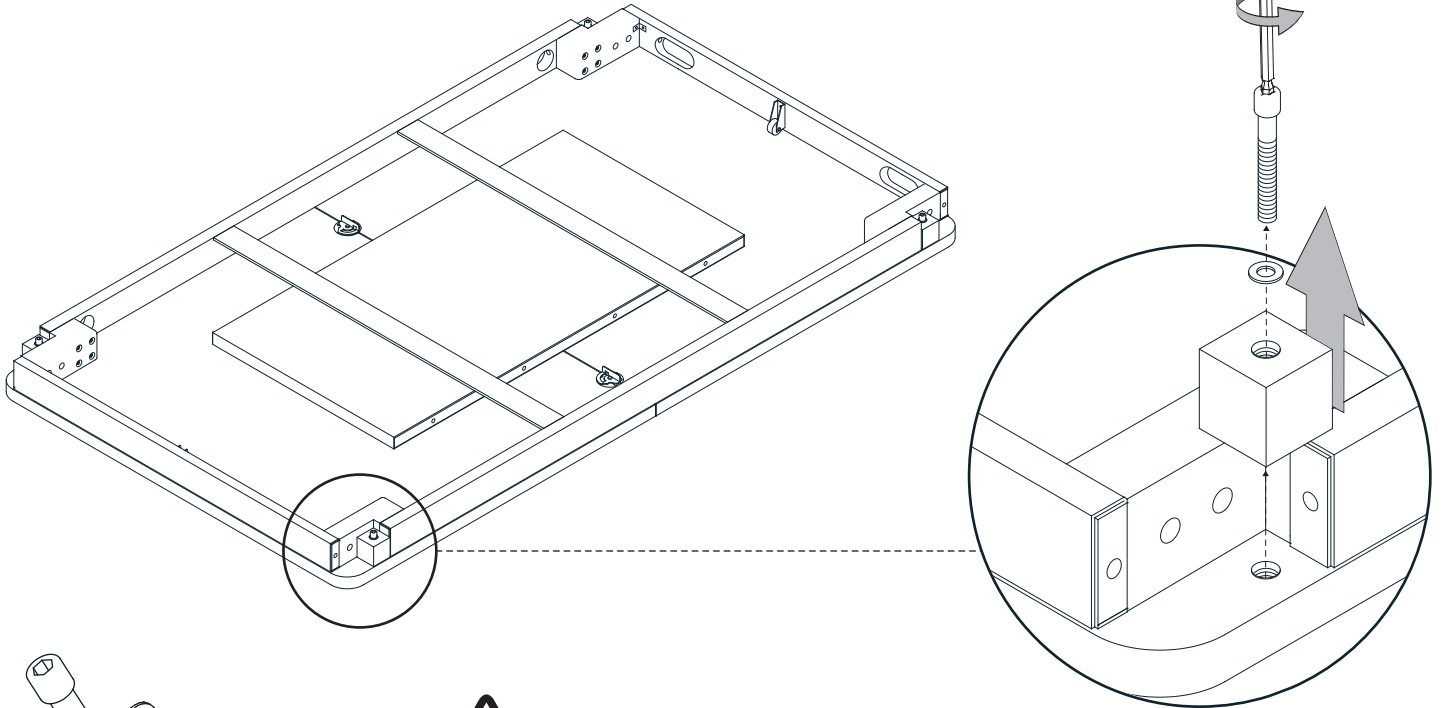
H6 Washer x 8

 **Please Note:**  
4 in pack and 4 embedded  
in wood blocks (See Step 2)



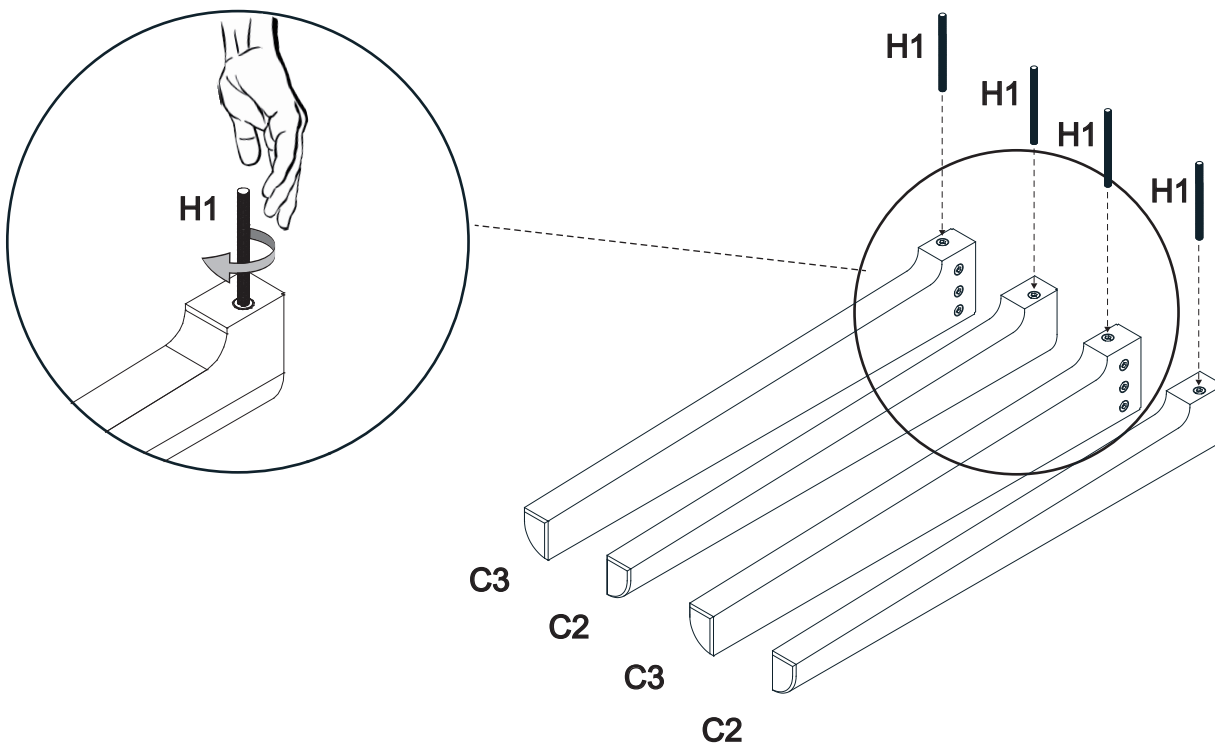
## Step 2 - Remove the wedges.

Remove 4 **wedges** from the **Table top C1** by using an **allen key (T2)**.



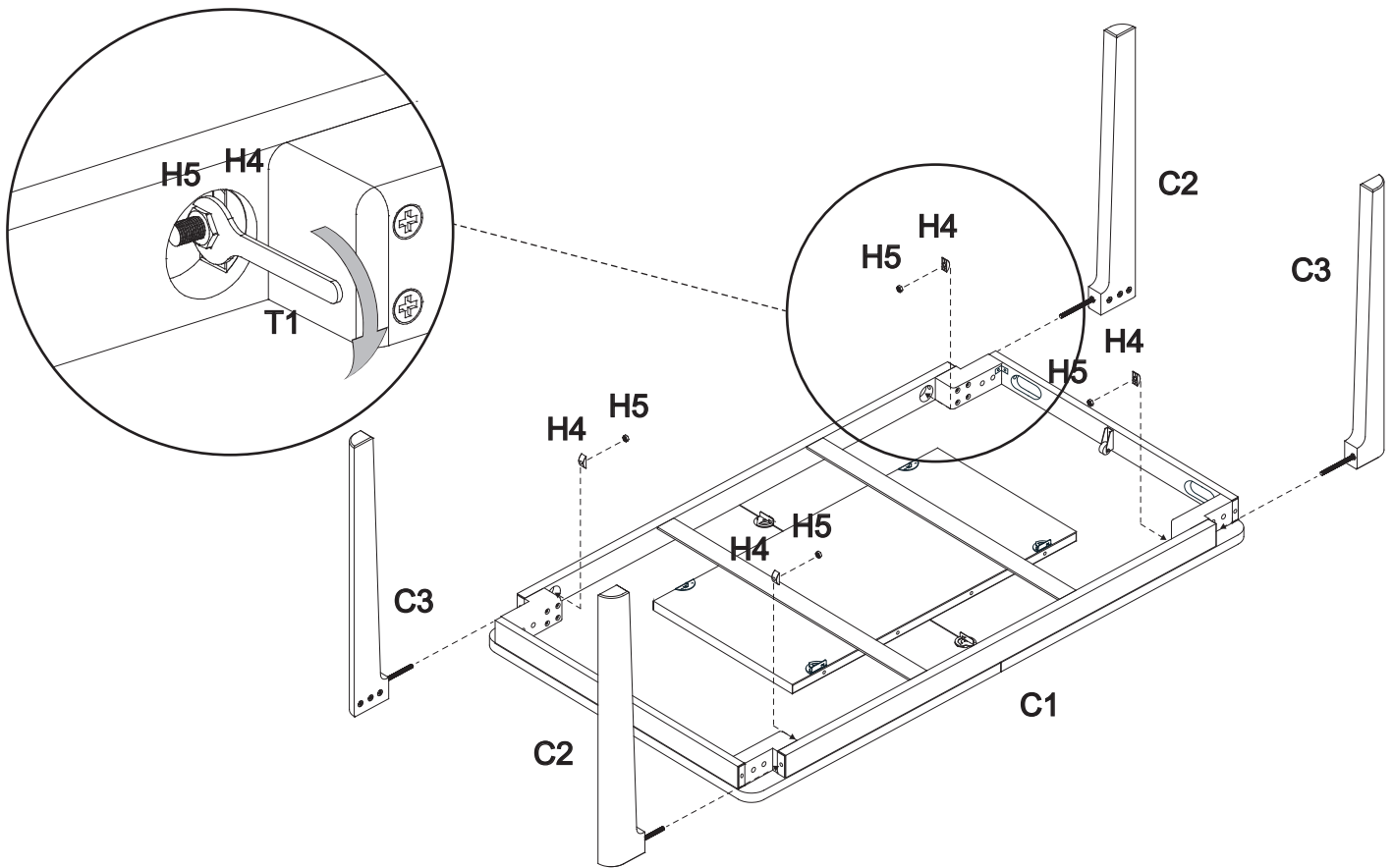
## Step 3 - Fix the headless bolt to legs.

Fix 4 **headless bolts H1** to the legs **C2, C3** by hand.



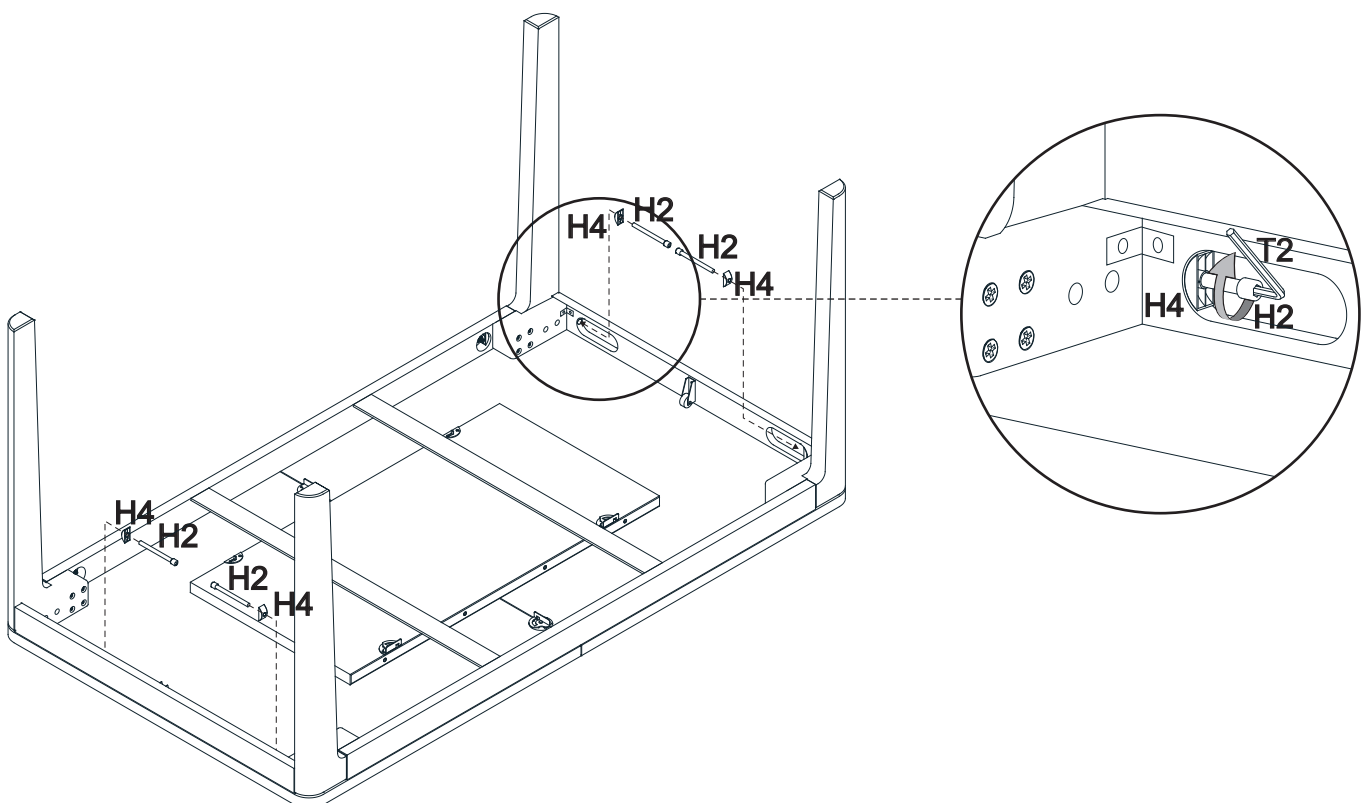
#### Step 4 - Attach legs to the top module

Place 4 fixing heads H4 into the slots on the bottom rails. Attach the legs C2, C3 to the top module C1 as shown below. Then fix the 4 hex nuts H5 by using the wrench T1.



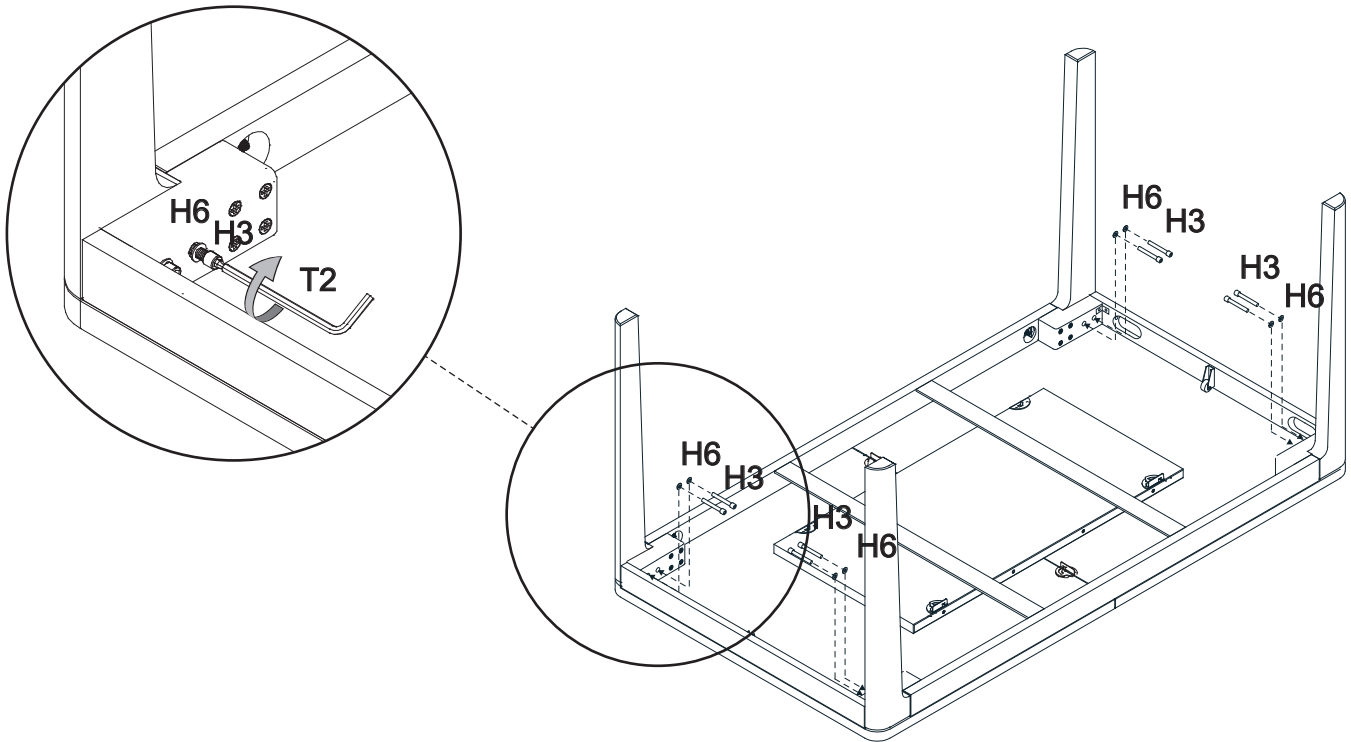
#### Step 5 - Fix additional bolts.

Use 4 bolts H2 and 4 fixing heads H4 for additional support.



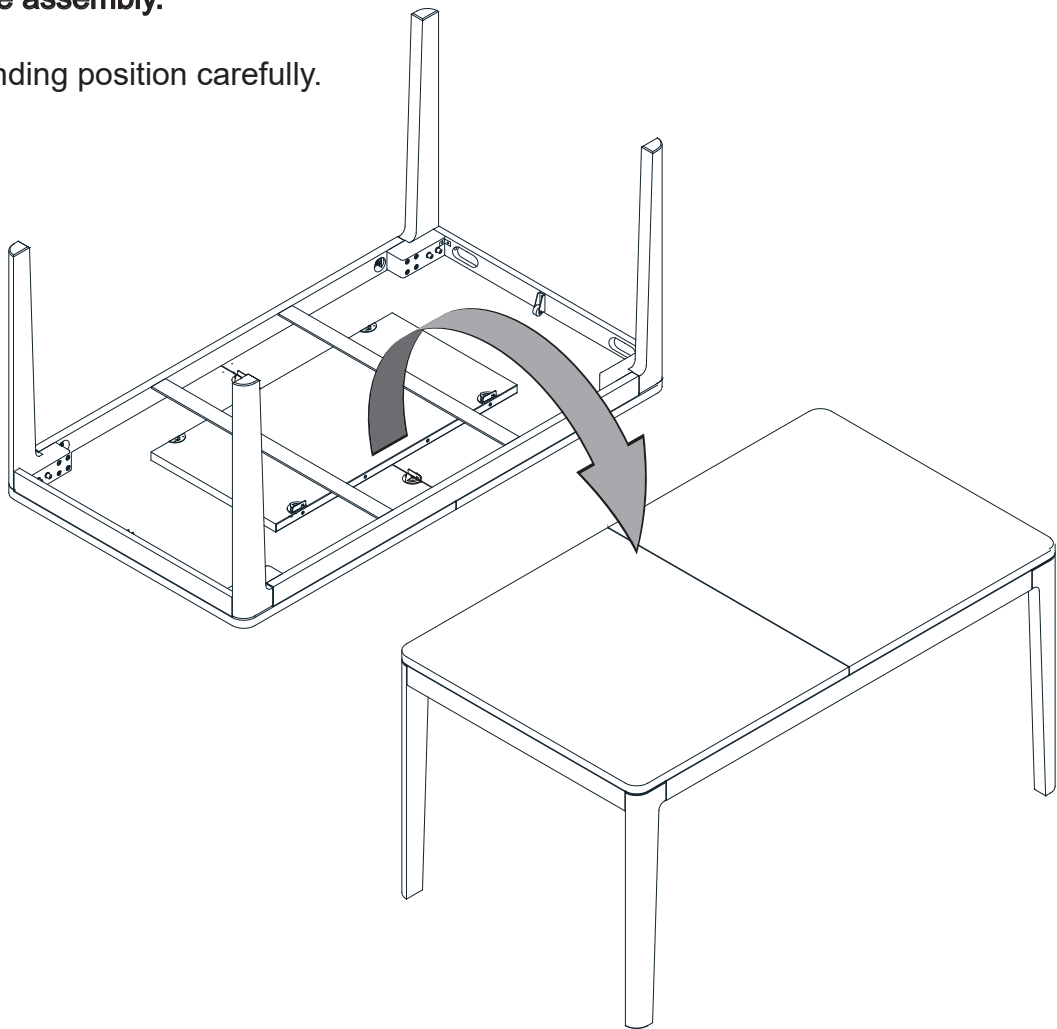
**Step 6 - Fix the legs by using bolts.**

Use **8 bolts H3** and **8 washers H6** to fix the legs onto the table top.



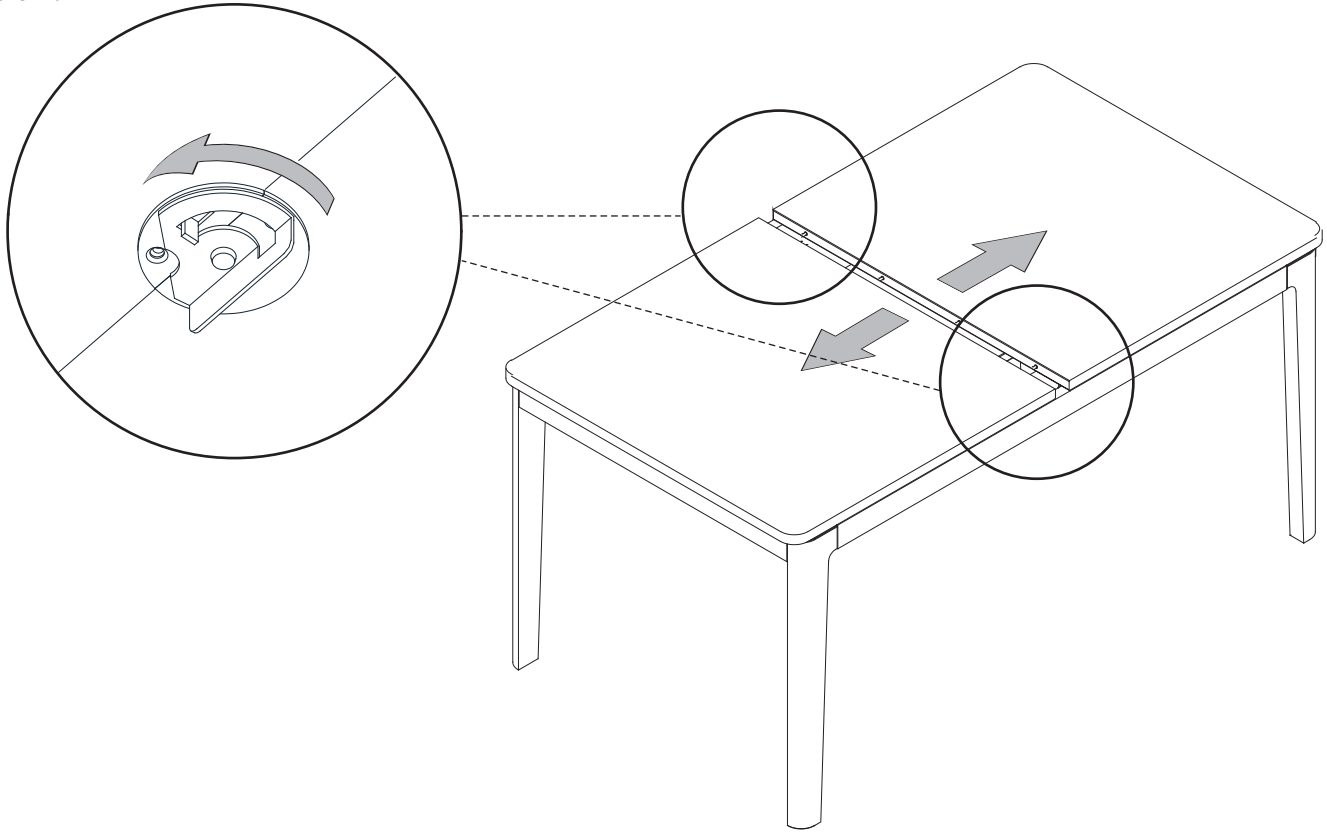
**Step 7 - End of the assembly.**

Lift the unit to standing position carefully.



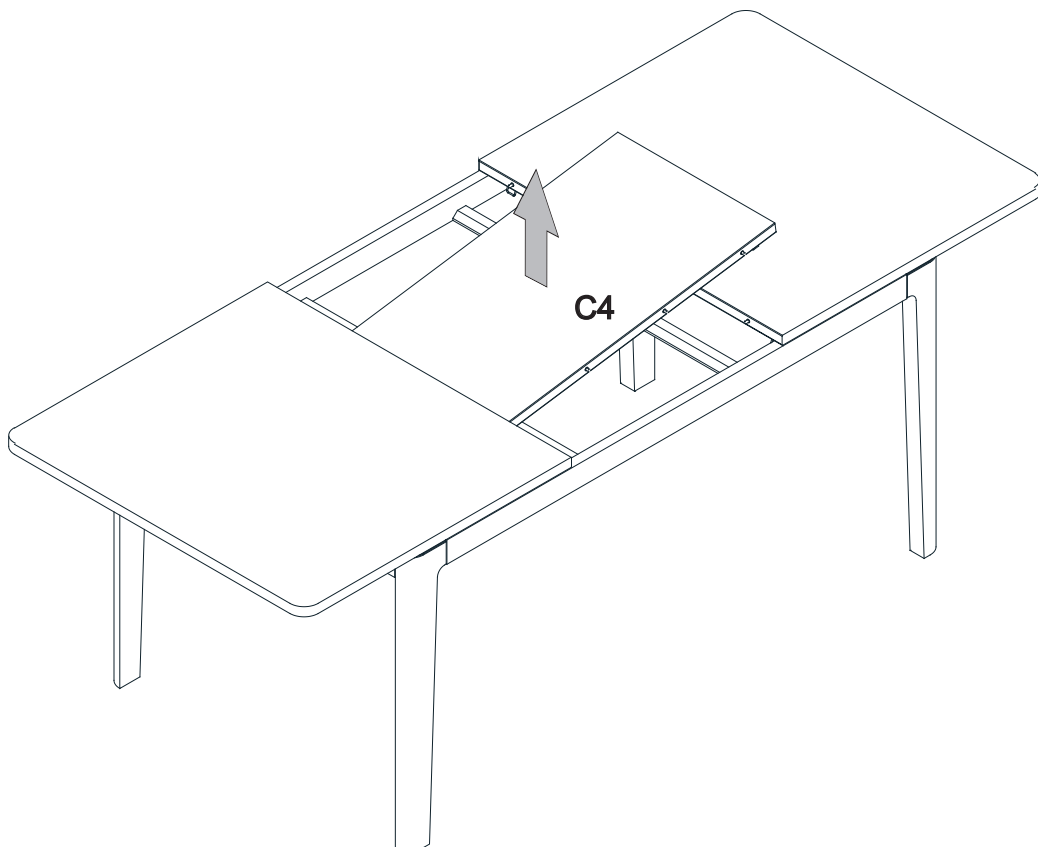
### Step 8 - Extending the table.

In order to extend the table, first free the twist locks and slide apart the two halves of the table top as shown below.



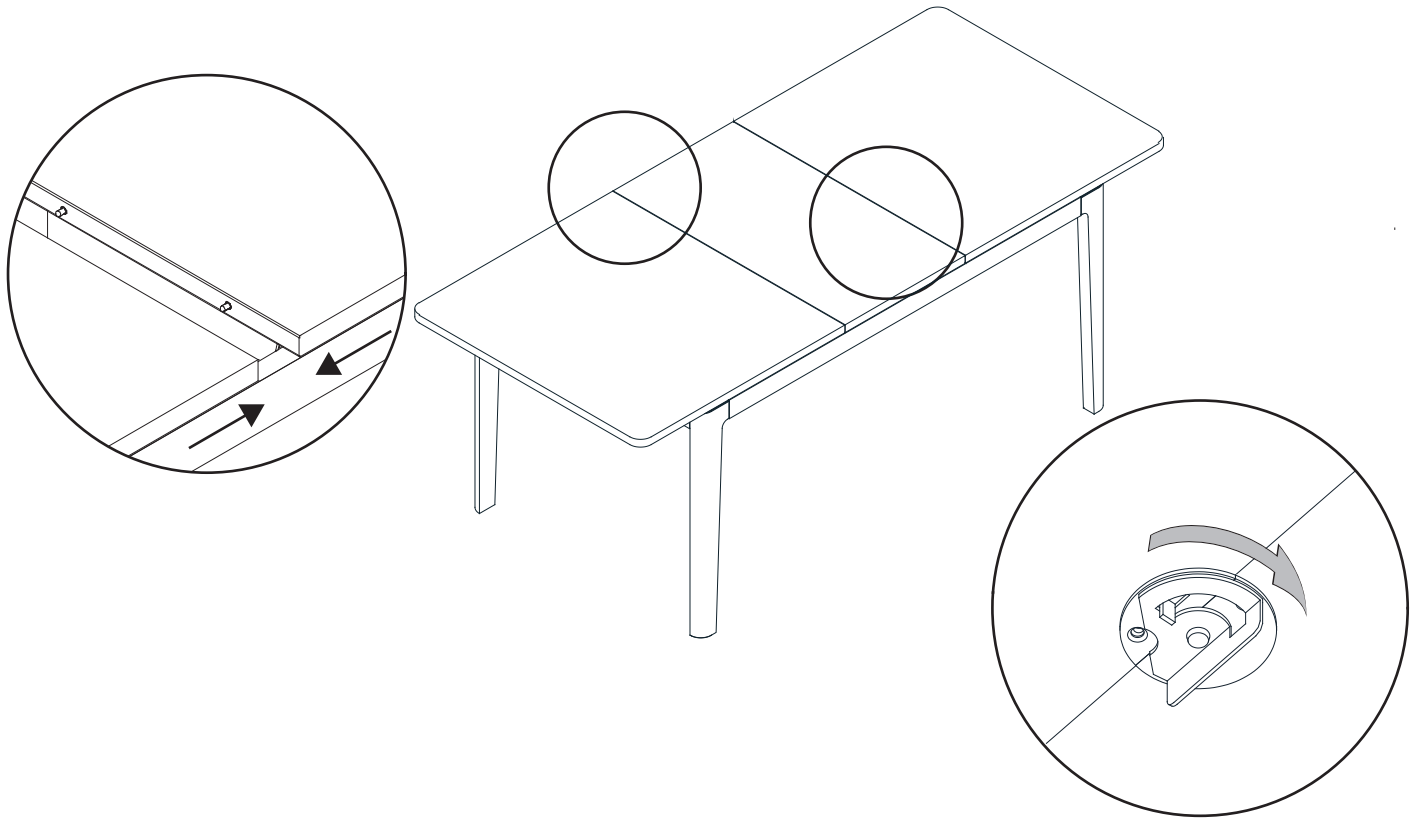
### Step 9 - Take the extension leaf out.

Take the extension leaf out, as shown below.



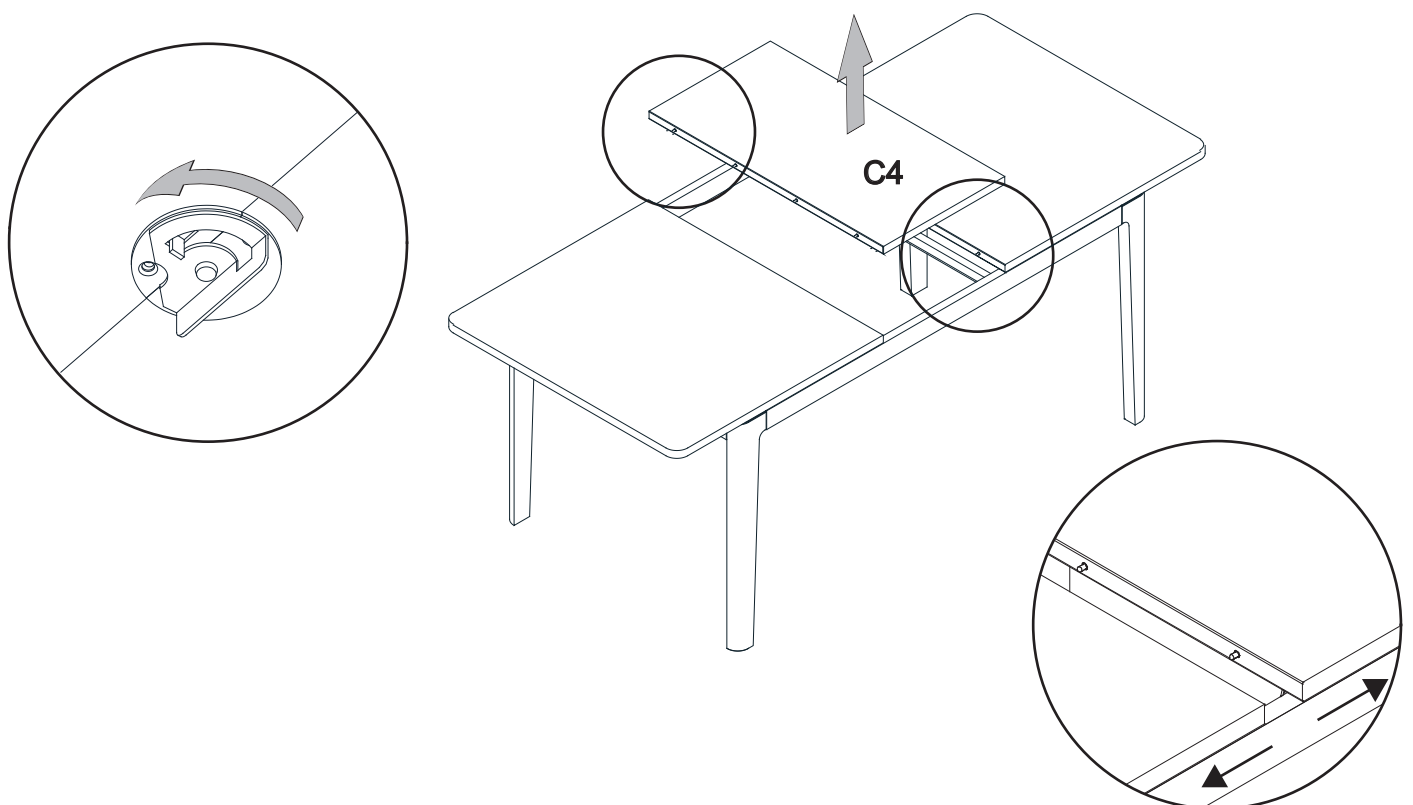
### Step 10 - Slide the table tops.

Slide the table tops towards the extension leaf and use 4 twist locks to fix them in place.



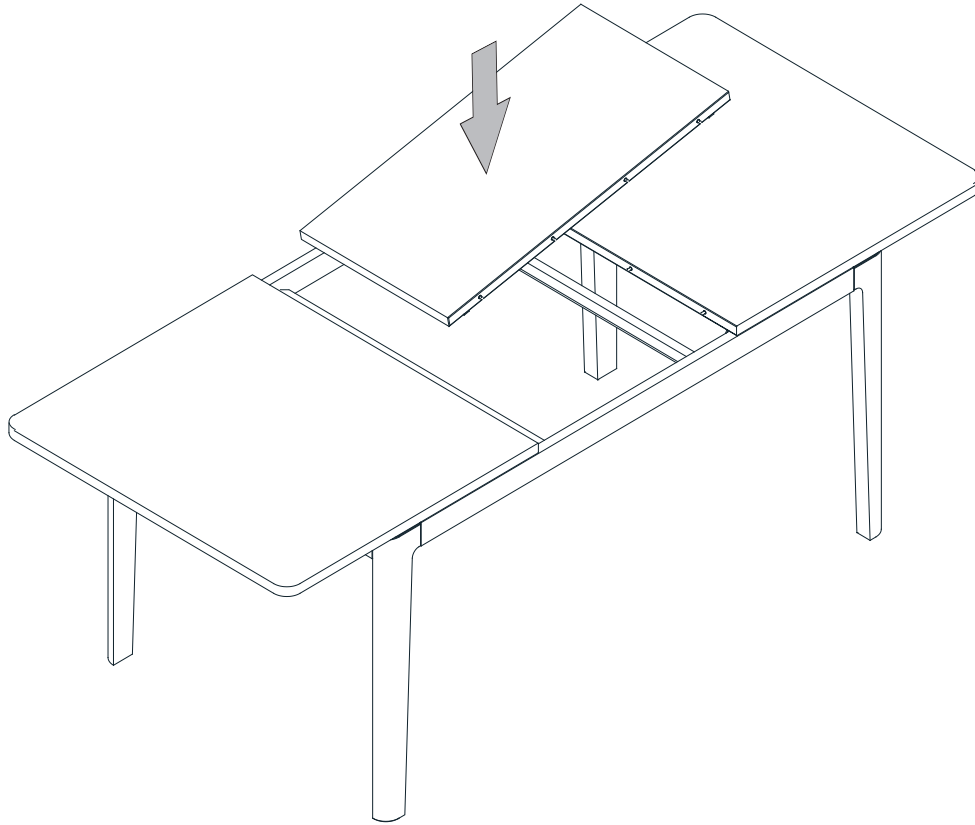
### Step 11 - Remove the extension leaf.

To remove the **extension leaf C4**, first open the twist locks. Then pull up the extension leaf.



**Step 12 - Place the extension leaf.**

While in extended position, place the extension leaf inside and use twist locks to fix it in place.



**Step 13 - End of the assembly.**

