

PERLE BENCH

MOSS
DESIGN

Placement and Maintenance

Your Perle Bench is designed for indoor use on level floors. Furniture with hard lacquer, wax polish or painted surface should be dusted with a dry cloth. Spillages should be wiped up as soon as possible. Our furniture will endure most temperatures in the home but it is best to avoid placing furniture next to heat sources such as radiators or fires.

Step 1

Unpack and identify the parts listed below. The assembly workspace should be a non-marring surface such as carpet. For missing hardware pieces, visit our website www.mossdesign.us

Tool Provided:



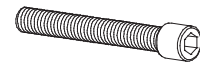
T1 Wrench (M13) x 1



T2 M6 Allen Key x 1



H1 Headless Bolt
(8x110mm) x 4



H2 Imbus Bolt
(8x60mm) x 8



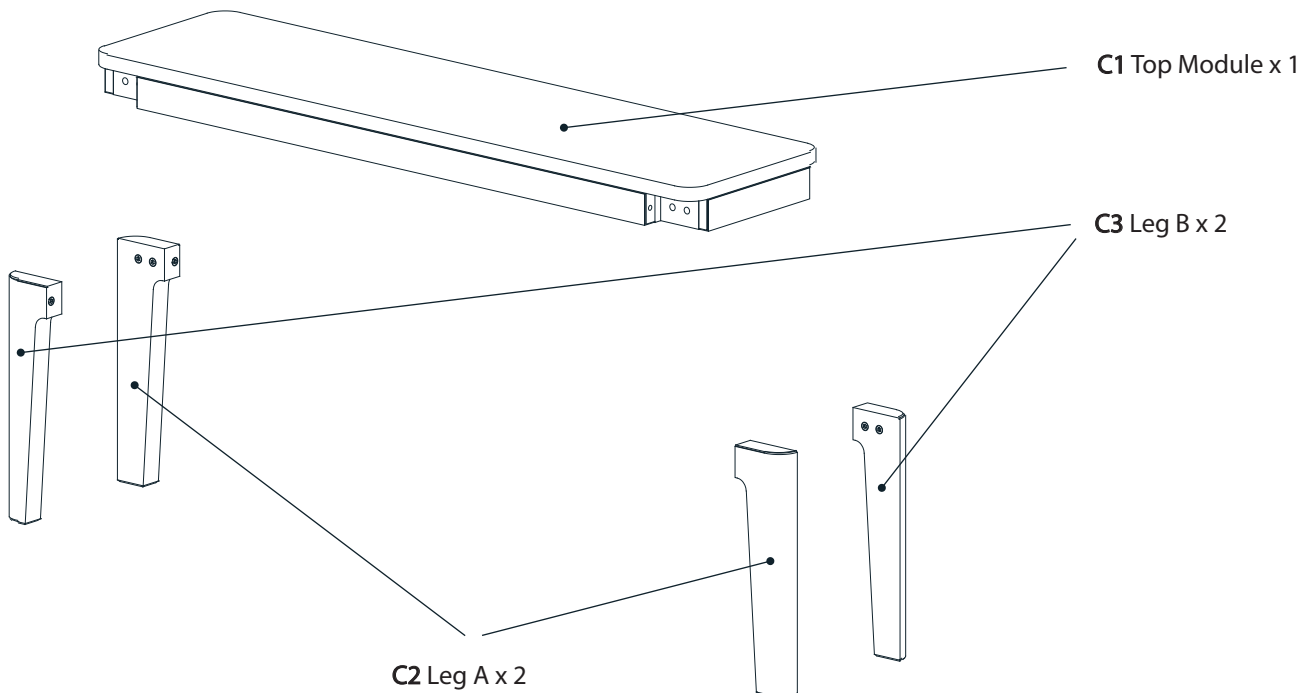
H3 Fixing Head x 4



H4 Hex Nut x 4

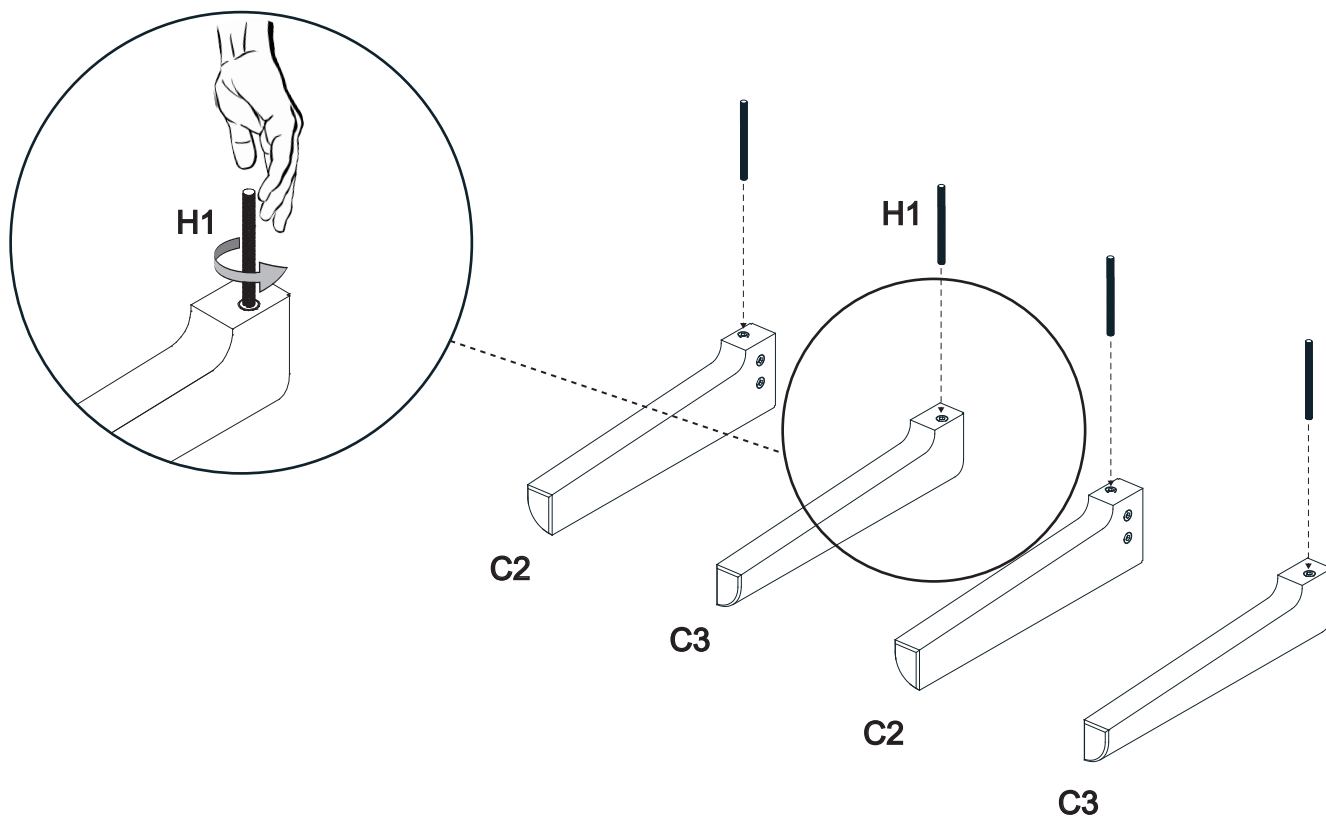


H5 Washer x 8



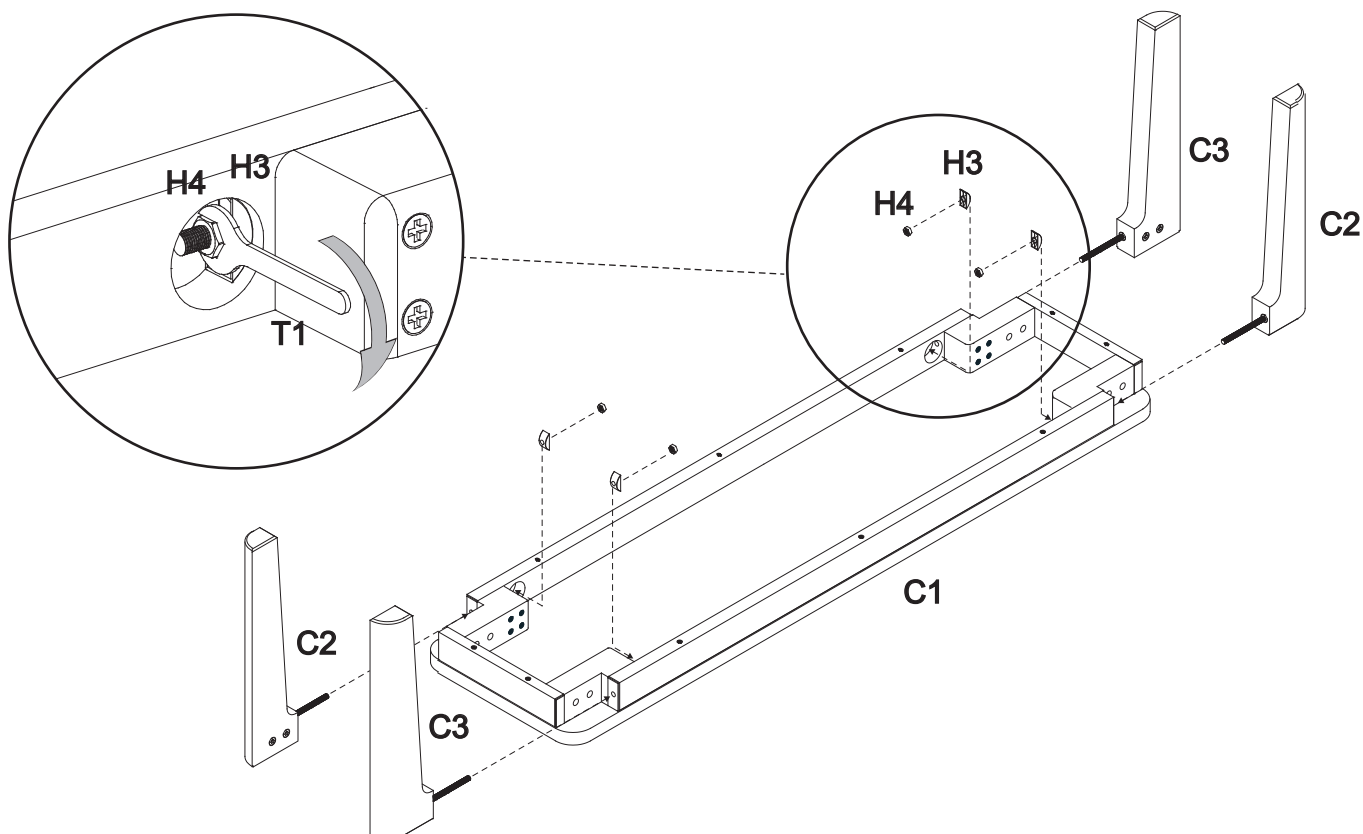
Step 2 - Fix the headless bolts to legs.

Fix 4 headless bolts H1 to the legs C2, C3 by hand.



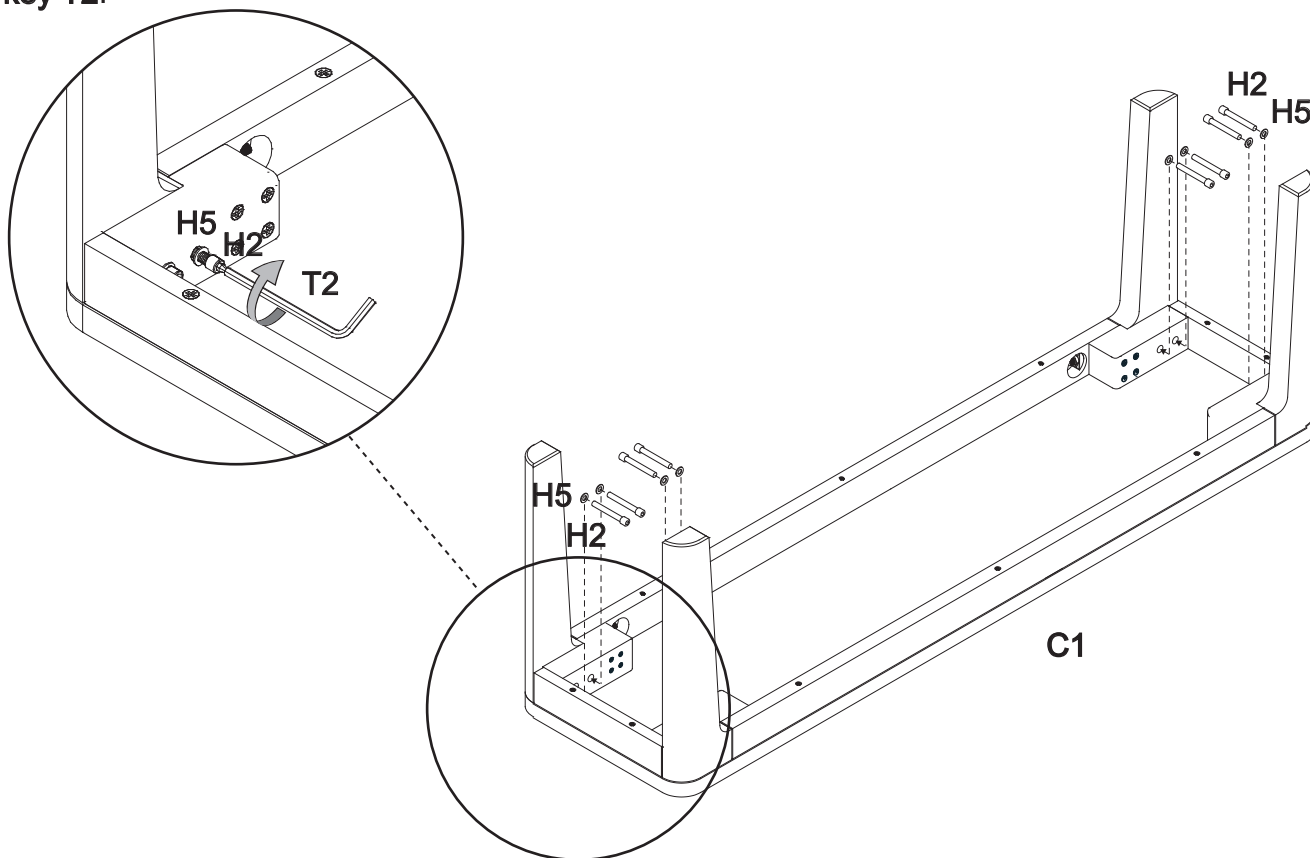
Step 3 - Attach legs to the top module.

Place 4 fixing heads H3 into the slots on the rail. Attach legs C2, C3 to the top module C1 as shown below. Then fix the 4 hex nuts H4 by using the wrench T1.



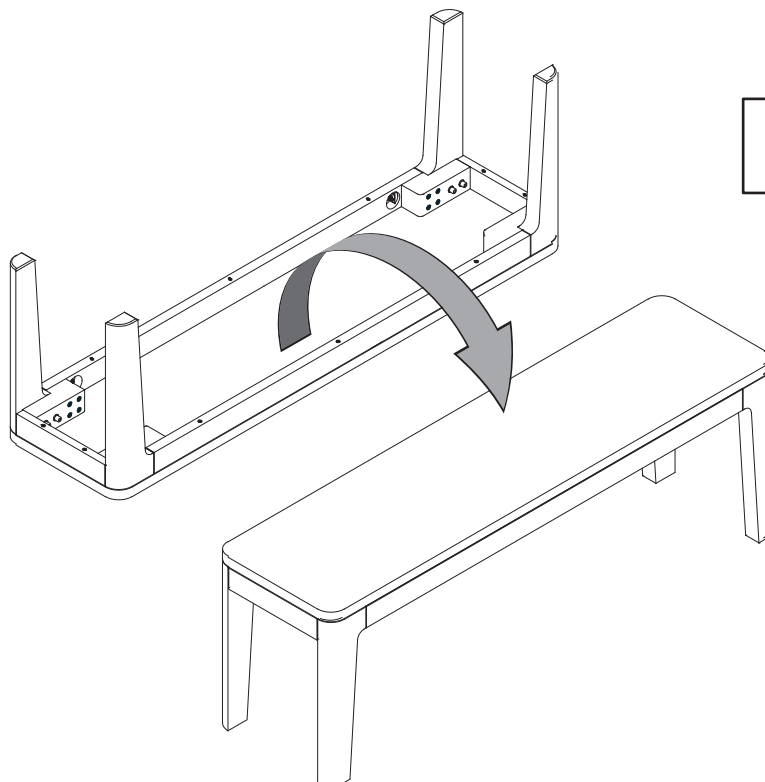
Step 4 - Fix the legs by using imbus bolts.

Use **8 imbus bolt H2** and **8 washers H5** to fix the legs onto the **top module C1**. Tighten by using **allen key T2**.



Step 5 - End of the assembly.

Lift the unit to standing position carefully.



! Check the firmness of the imbus bolts periodically.