

**NOVA
DESK**



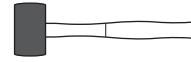
Placement and Maintenance

Your Nova Desk is designed for indoor use on level floors. Furniture with hard lacquer, wax polish or painted surface should be dusted with a dry cloth. Spillages should be wiped up as soon as possible. Our furniture will endure most temperatures in the home but it is best to avoid placing furniture next to heat sources such as radiators or fires.

Step 1

Unpack and identify the parts listed below. The assembly workspace should be a non-marring surface such as carpet. For missing hardware pieces, visit the customer support page on our website www.mossdesign.us

Tool Required:

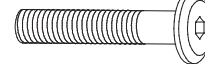


Mallet or Hammer

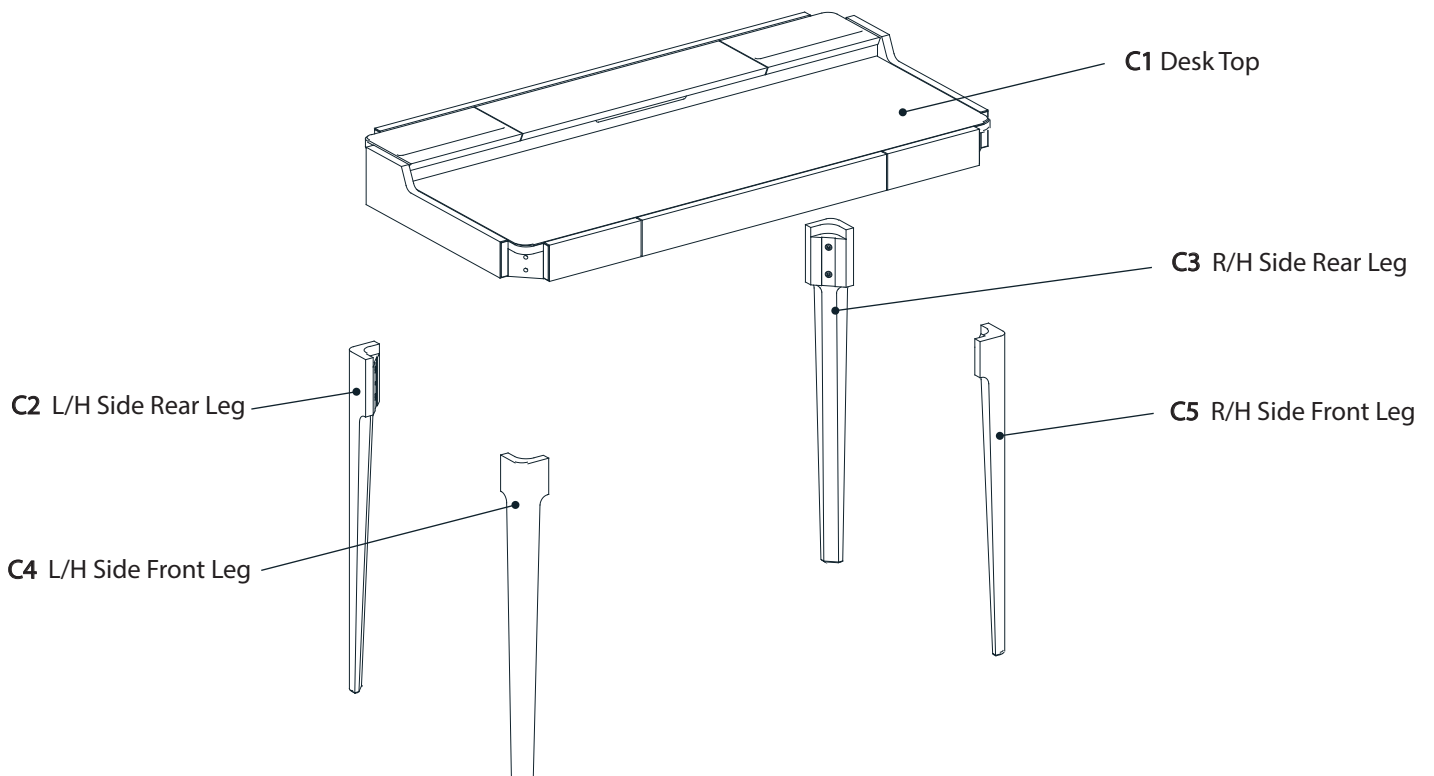
Tool Provided:



T1 M5 Allen Key x 1

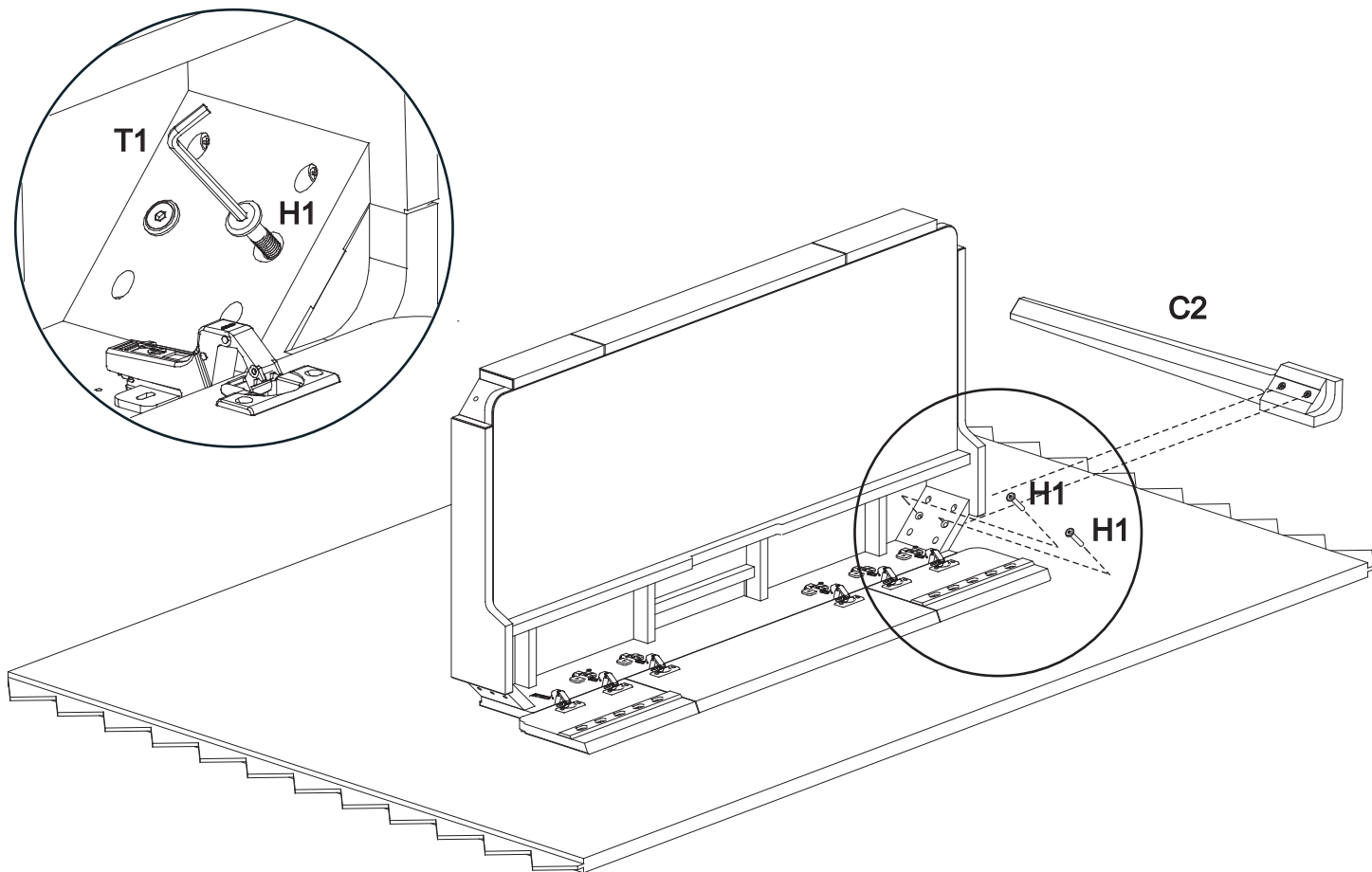


H1 Allen Head Bolts
(8x45mm) x 8



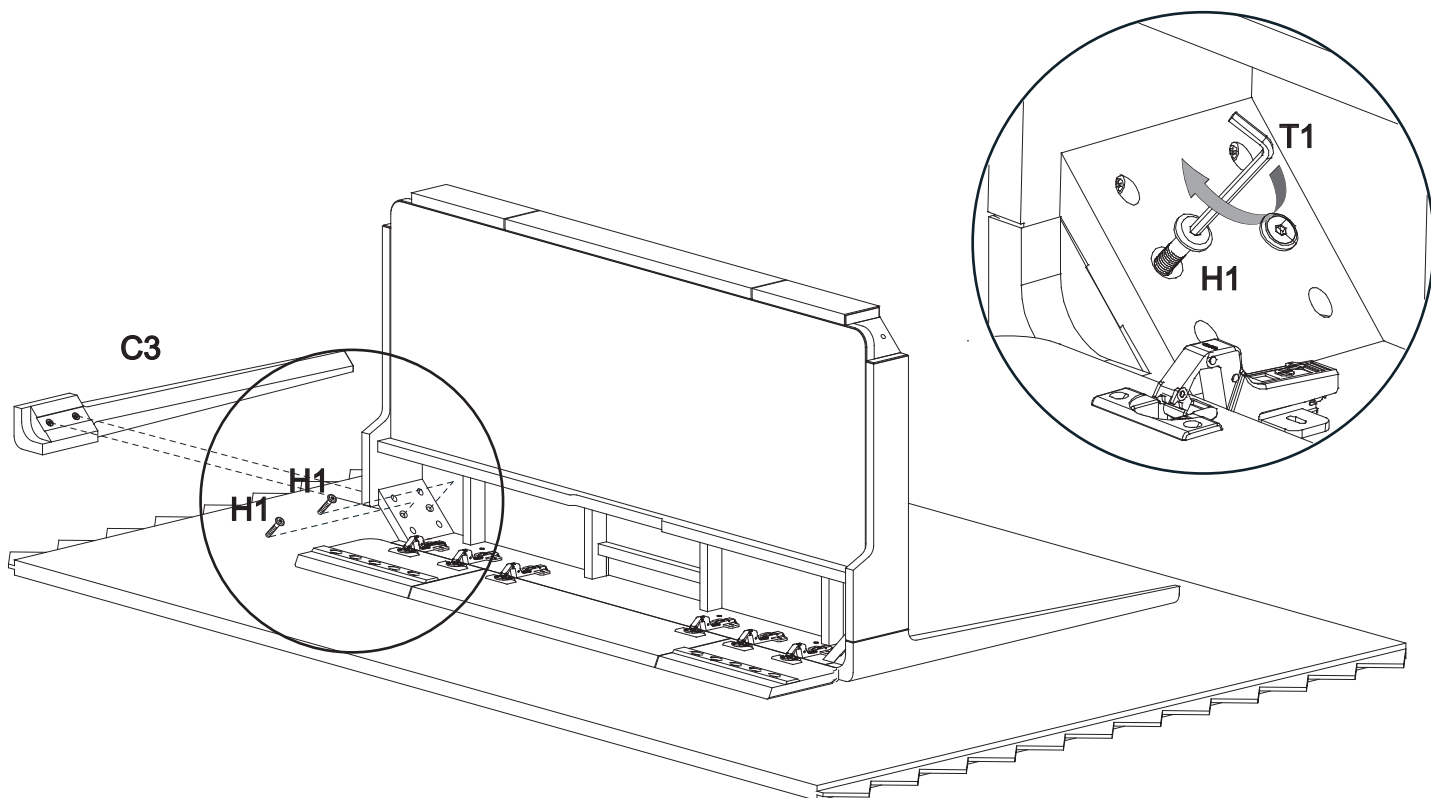
Step 2 - Fix the L/H side rear leg C2.

Tighten 2 allen head bolts H1 by using allen key T1 as shown below.



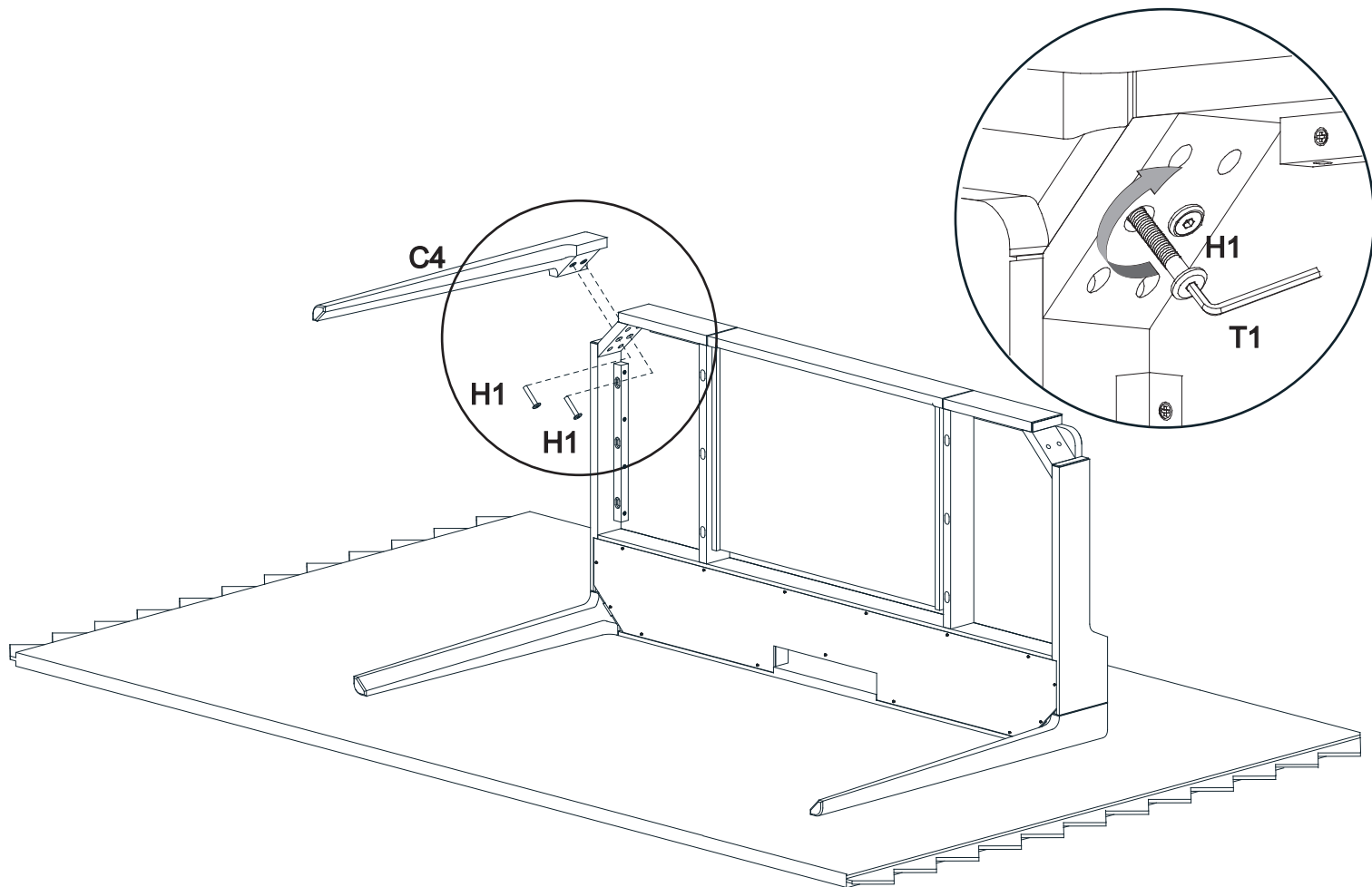
Step 3 - Fix the R/H side rear leg C3.

Tighten 2 allen head bolts H1 by using allen key T1 as shown below..



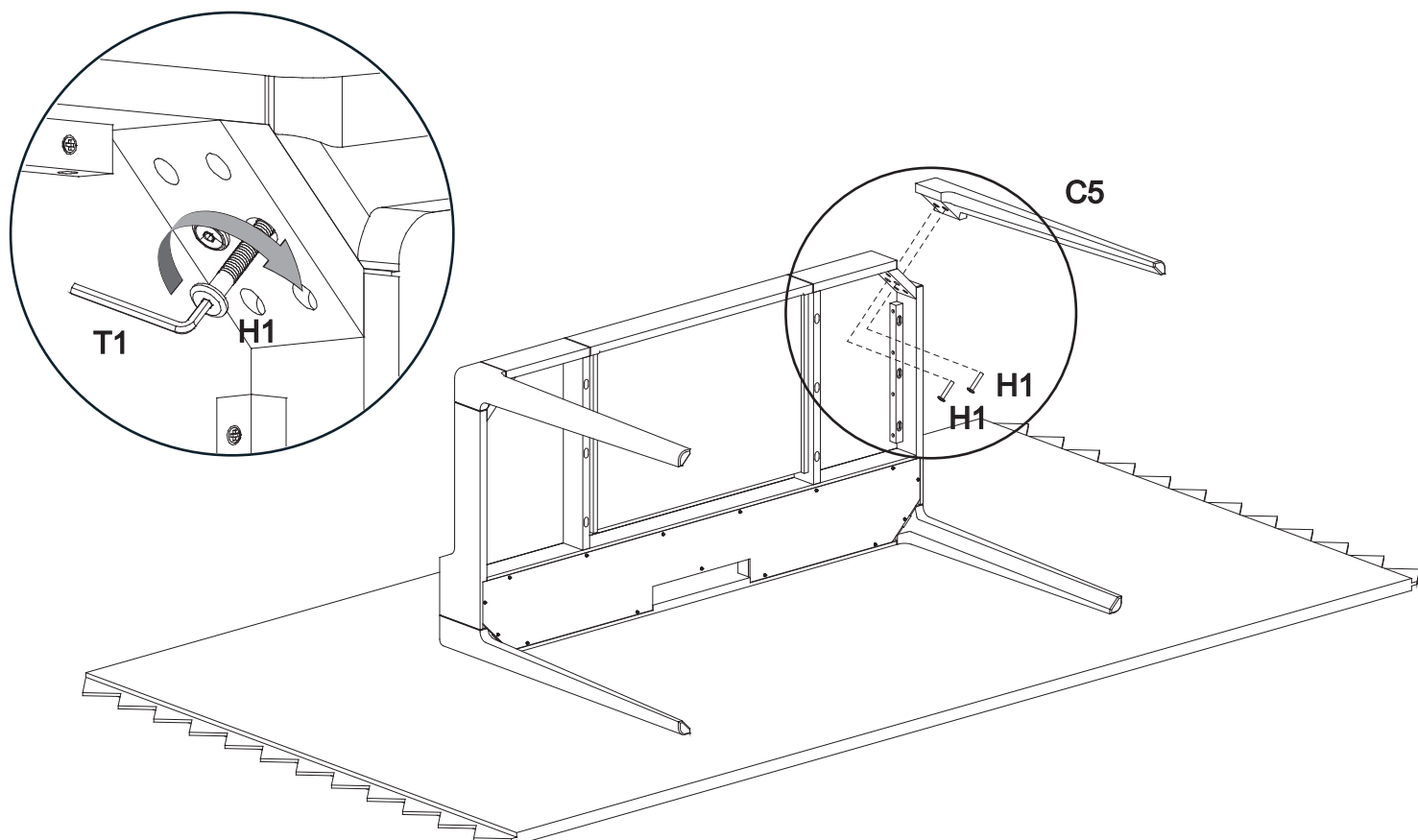
Step 4 - Fix the L/H side front leg C4.

Fix the L/H side front leg C4 to the desk top by using 2 allen head bolts H1 and the allen key T1.



Step 5 - Fix the R/H side front leg C5.

Fix the R/H side front leg C5 to the desk top by using 2 allen head bolts H1 and the allen key T1.



Step 6 - End of the assembly.

