

## NORD CHAIR

# MOSS DESIGN

### Placement and Maintenance

Your Nord Chair is designed for indoor use on level floors. Furniture with hard lacquer, wax polish or painted surface should be dusted with a dry cloth. Spillages should be wiped up as soon as possible. Our furniture will endure most temperatures in the home but it is best to avoid placing furniture next to heat sources such as radiators or fires.

### Step 1

Unpack and identify the parts listed below. It is required to have **2 people to carry and assemble** the units over 50lbs. The assembly workspace should be a non-marring **surface such as carpet**. For missing hardware pieces, visit our website [www.mossdesign.us](http://www.mossdesign.us)

#### Tool Provided:



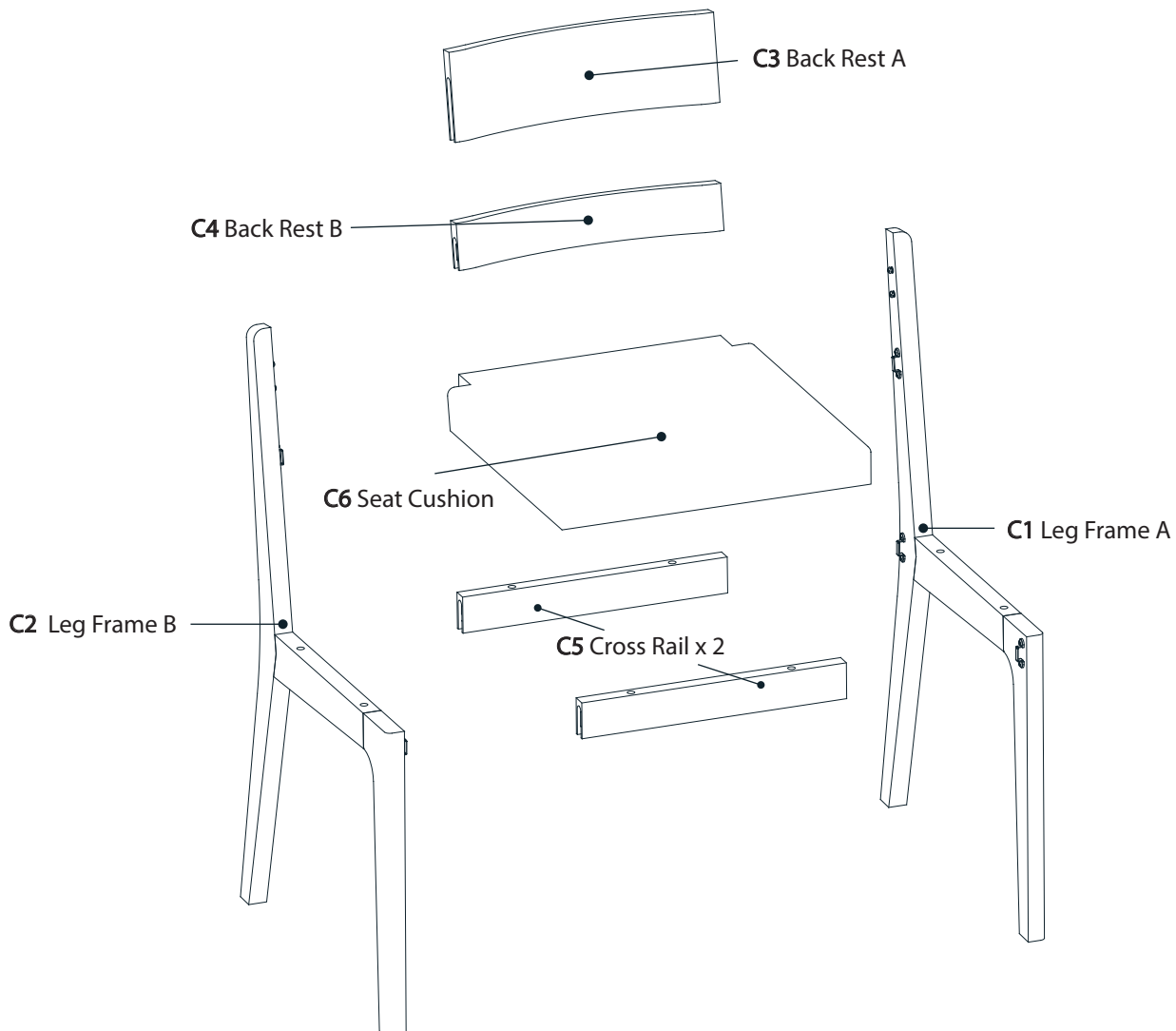
Mallet or Hammer



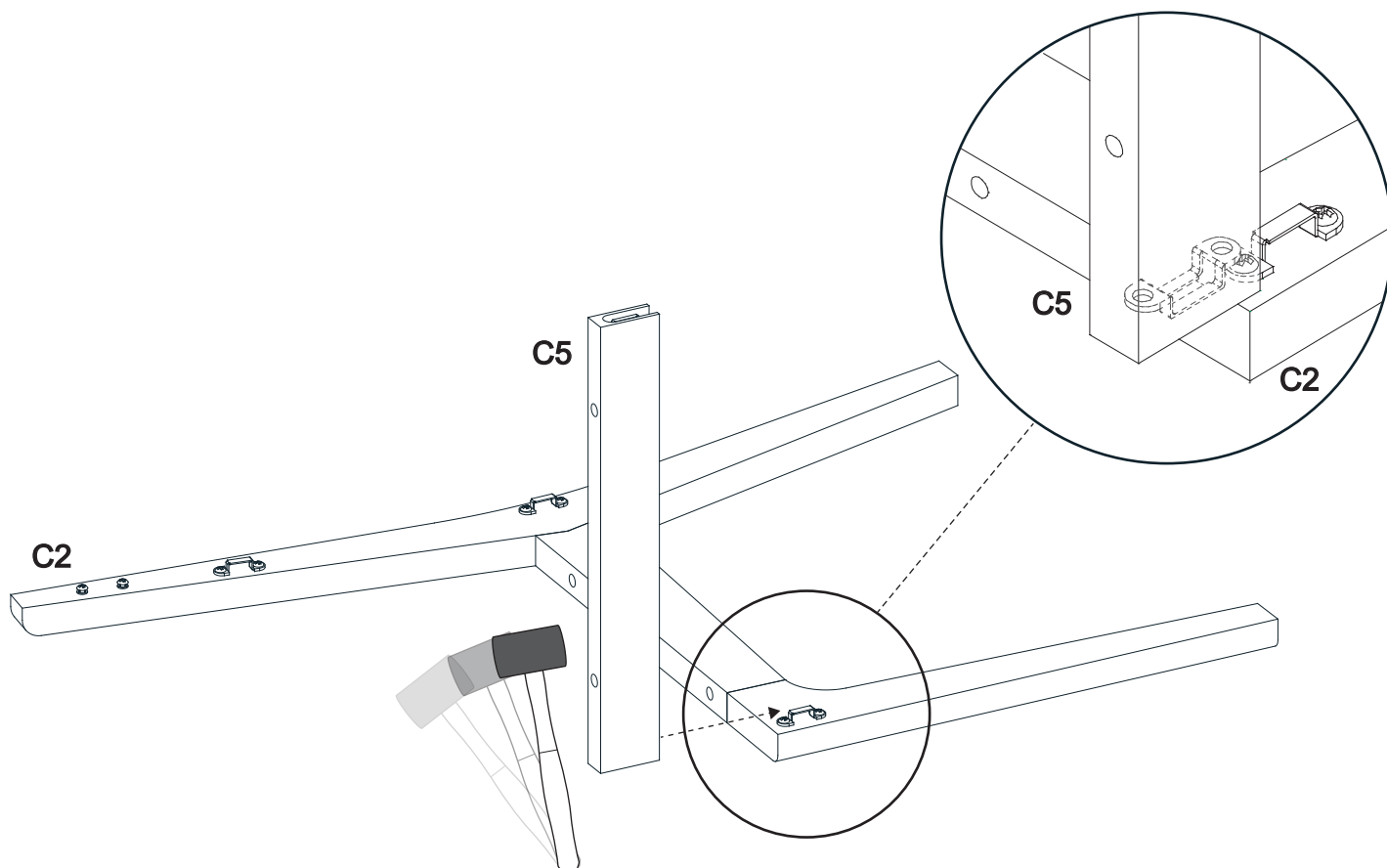
H1 Bolt  
(M6x60mm) x8



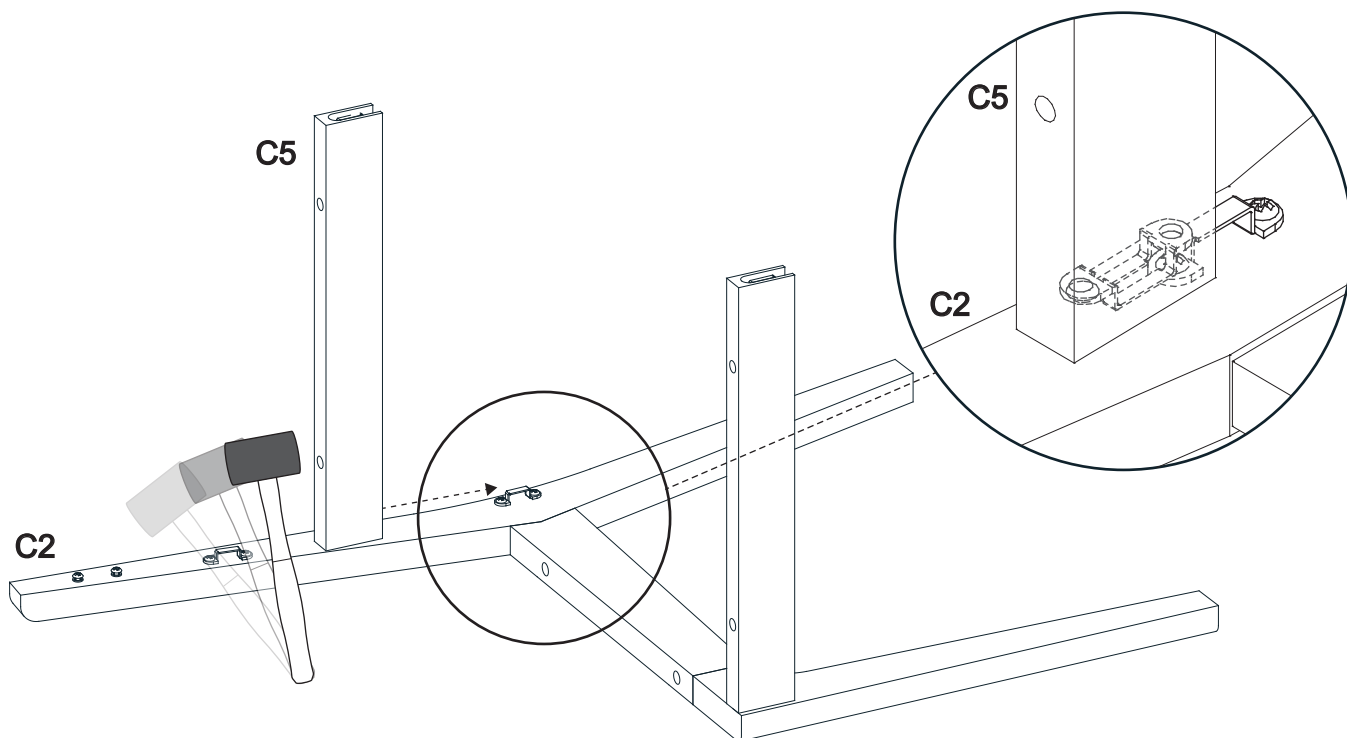
T1 M4 Allen Key x 1



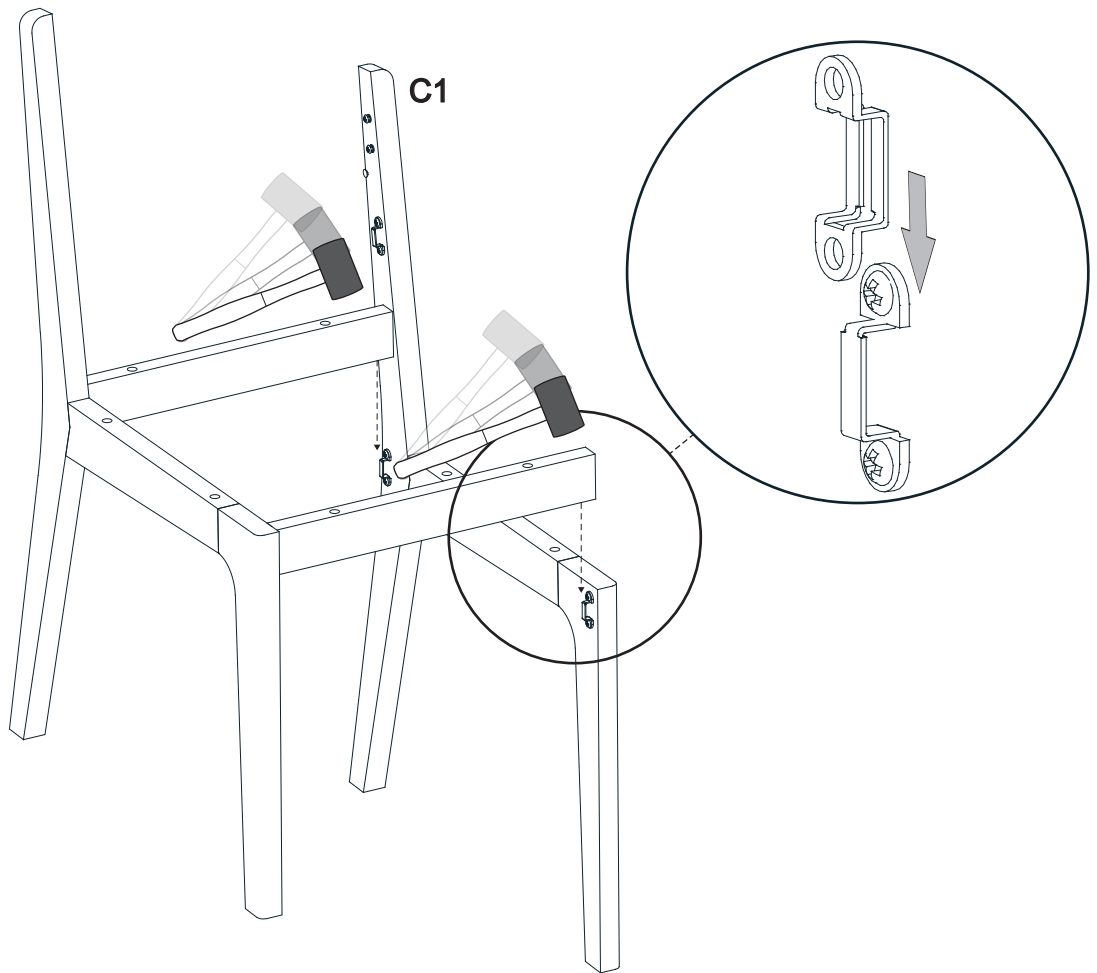
**Step 2 - Attach the first cross rail C5 to the leg frame C2 as shown below.**



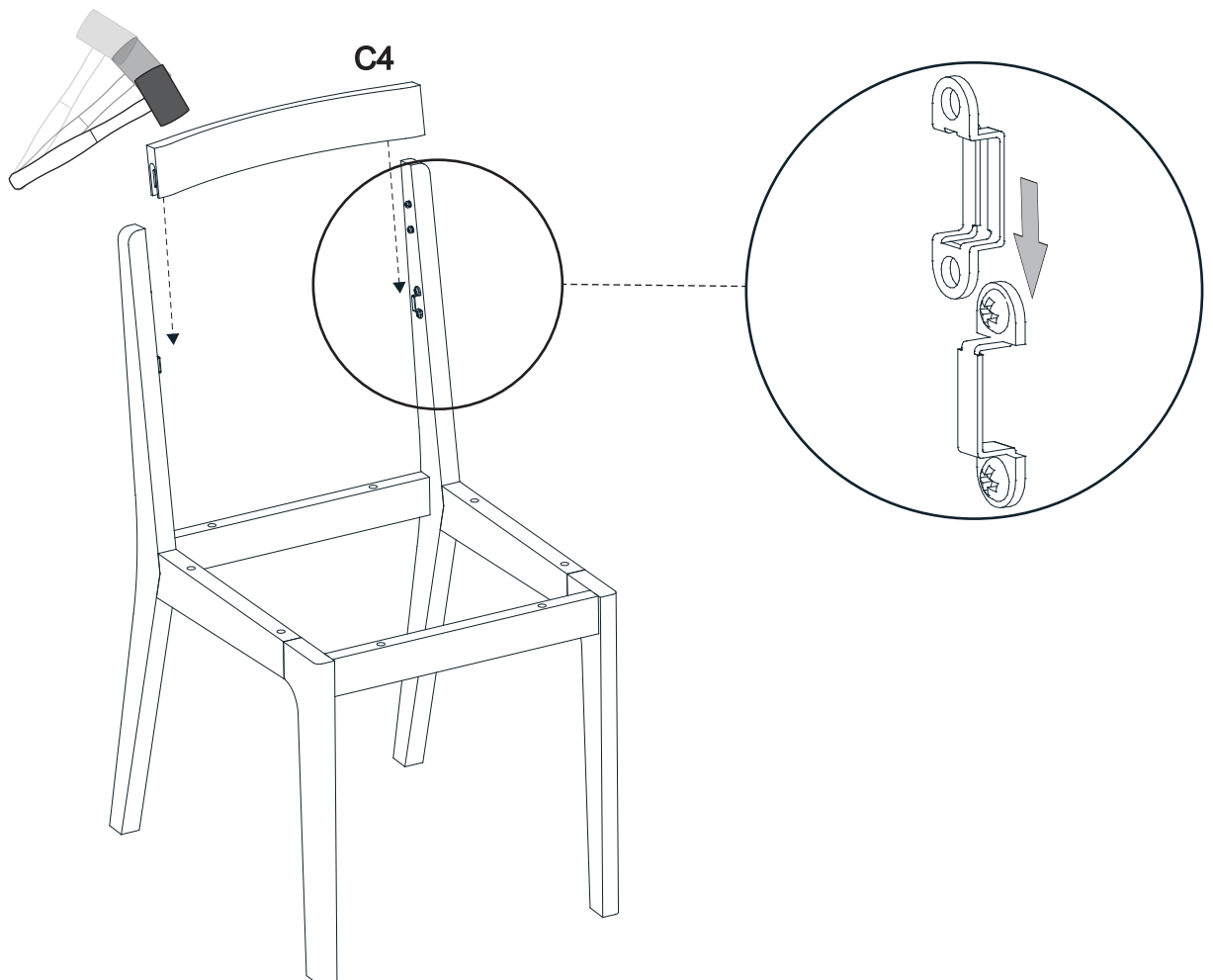
**Step 3 - Attach the second cross rail C5 to the leg frame C2 as shown below.**



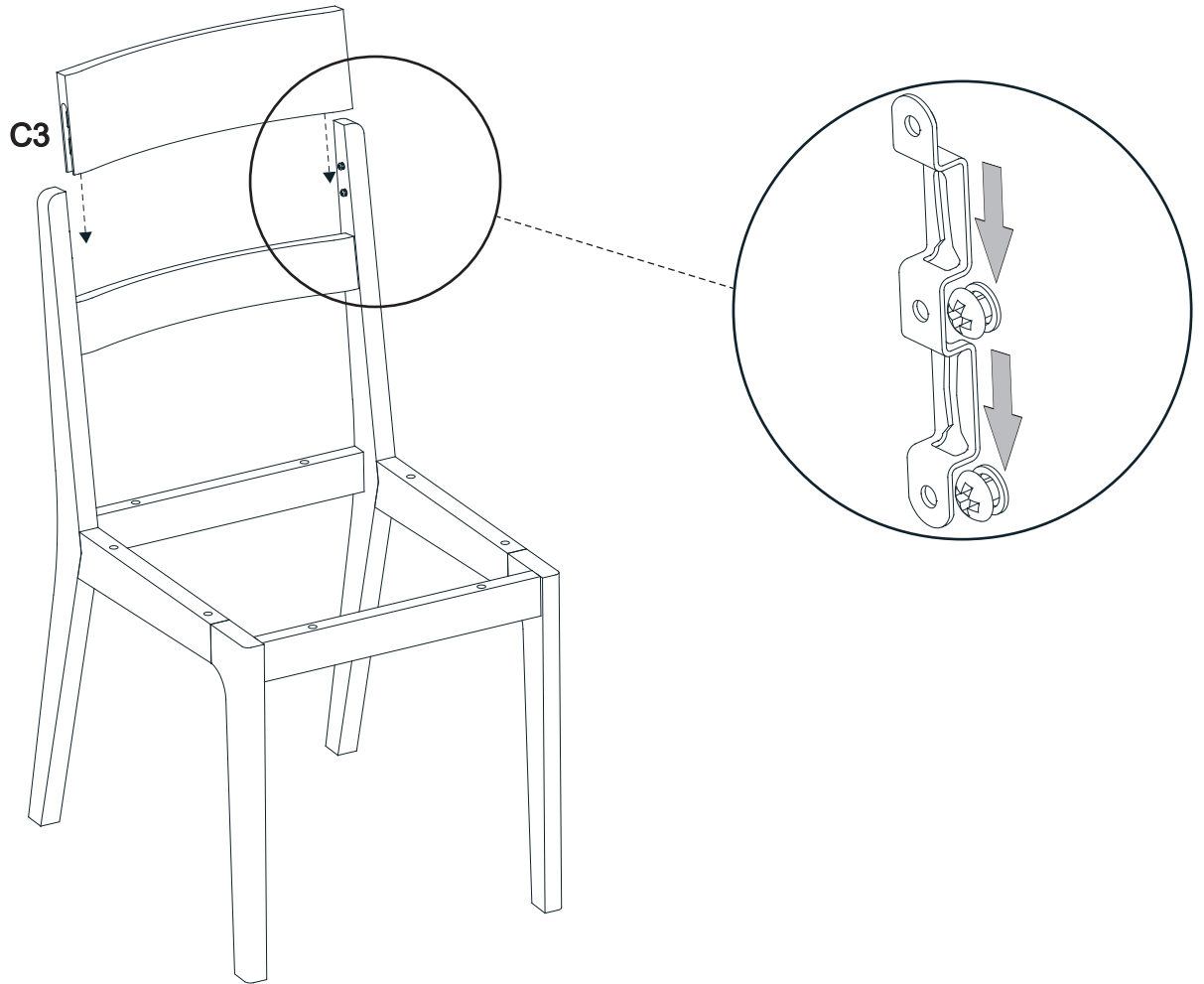
**Step 4 - Attach the cross rails to the leg frame C1 as shown below.**



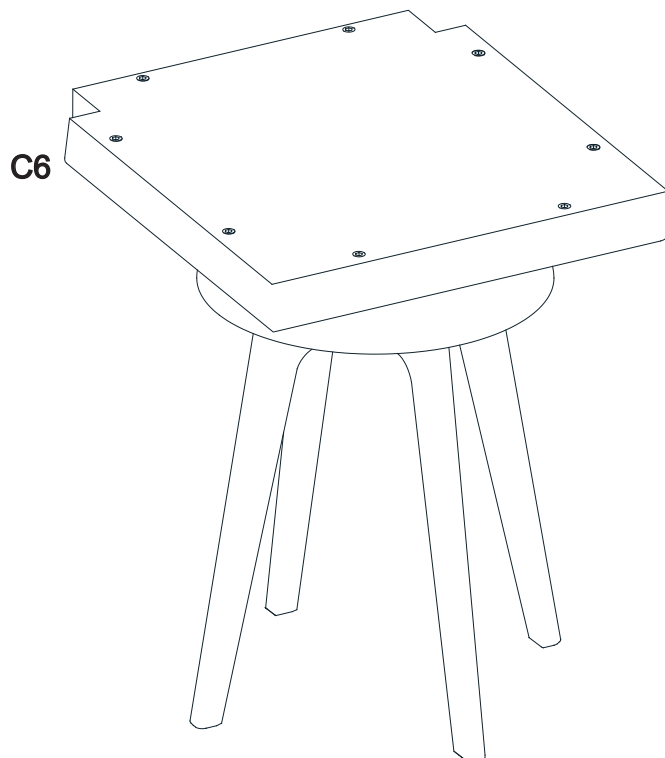
**Step 5 - Install back rest B C4 as shown below.**



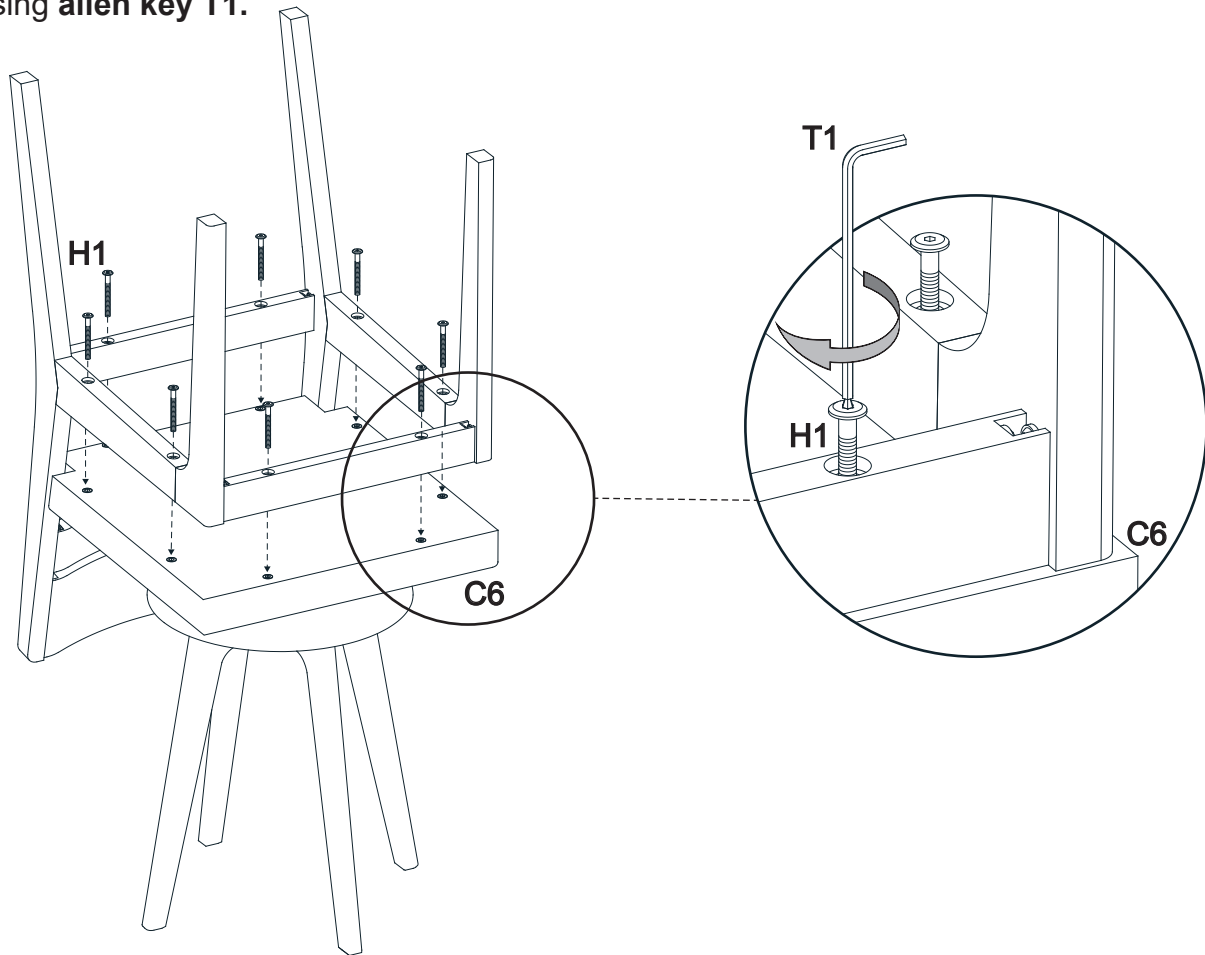
**Step 6 - Install back rest A C3 as shown below.**



**Step 7 - Place the seat cushion C5 on a stool.**



**Step 8** - Place the chair on the seat cushion. Install **8x bolts H1** as shown below. Tighten them by using **allen key T1**.



**Step 9** - Lift the unit to standing position carefully.

