

**NORD  
BENCH**

**MOSS**  
DESIGN

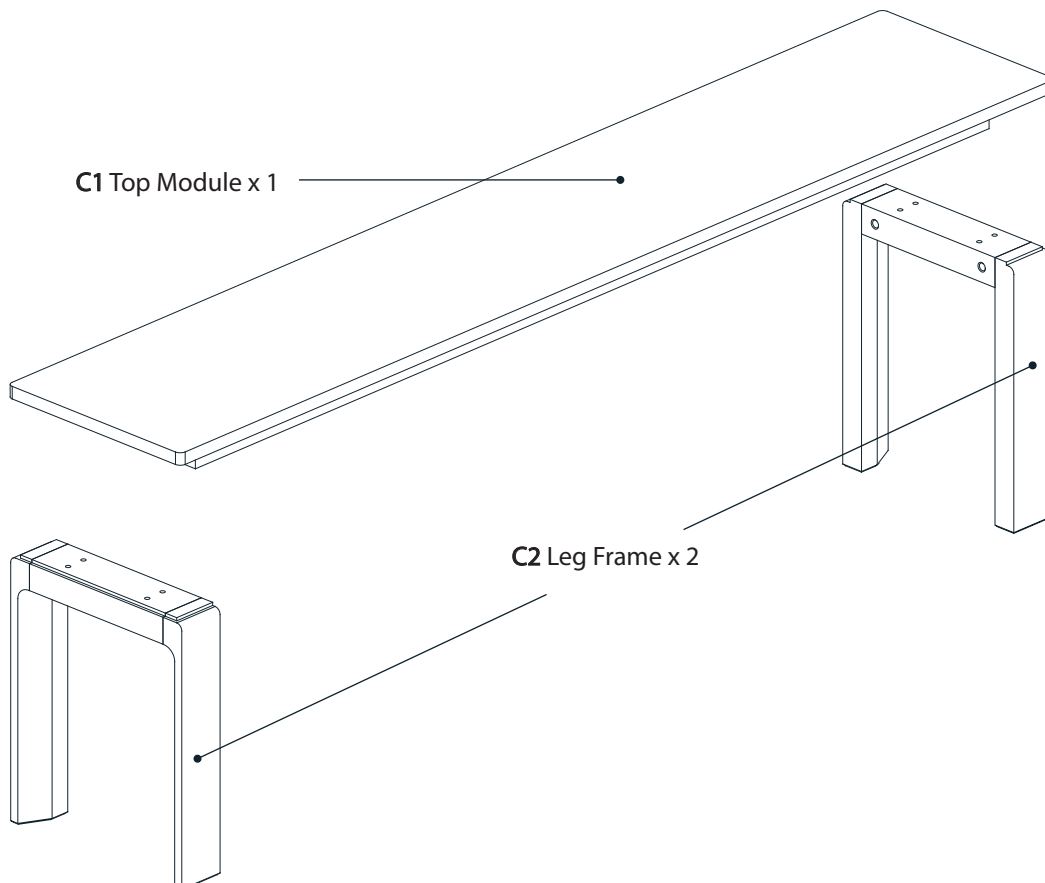
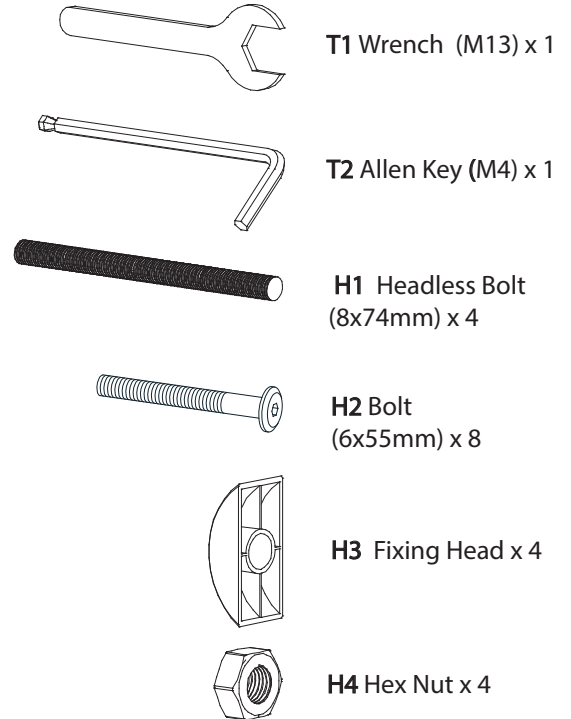
## Placement and Maintenance

Your Nord Bench is designed for indoor use on level floors. Furniture with hard lacquer, wax polish or painted surface should be dusted with a dry cloth. Spillages should be wiped up as soon as possible. Our furniture will endure most temperatures in the home but it is best to avoid placing furniture next to heat sources such as radiators or fires.

## Step 1

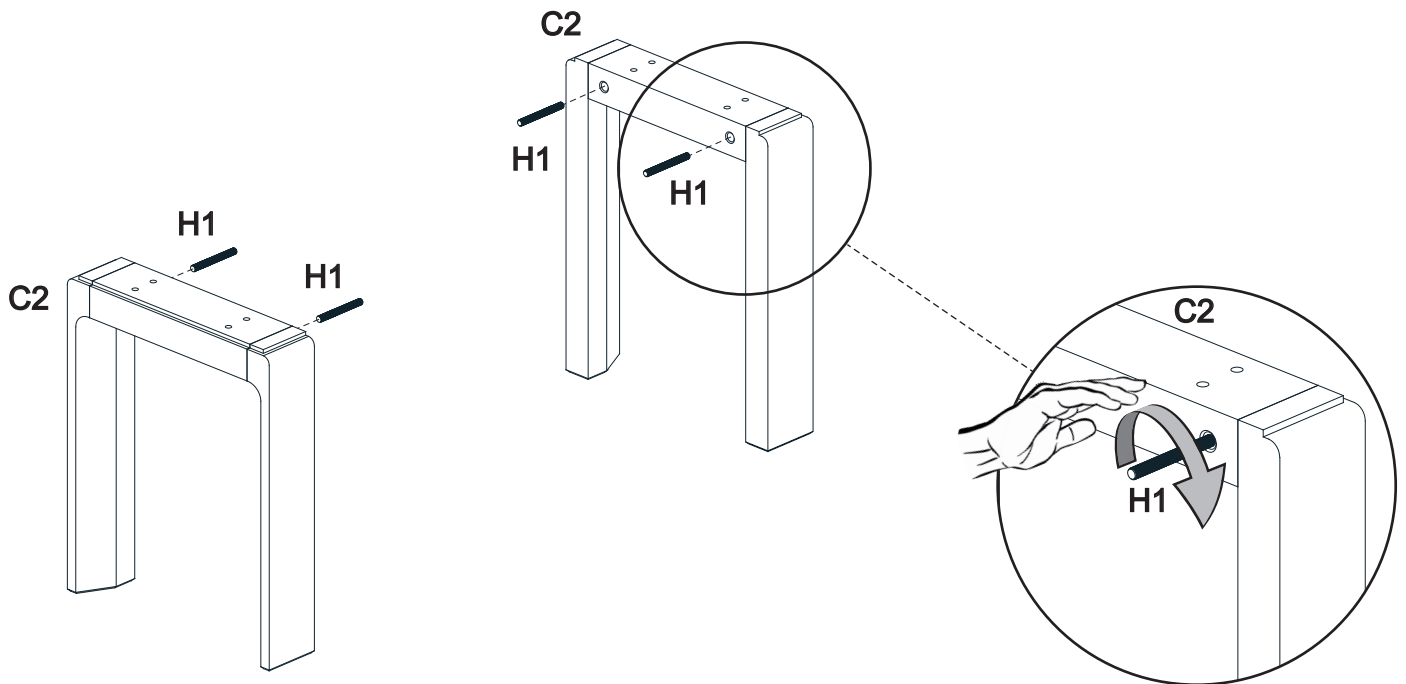
Unpack and identify the parts listed below. It is required to have **2 people to carry and assemble** the units over 50lbs. The assembly workspace should be a non-marring **surface such as carpet**. For missing hardware pieces, visit our website [www.mossdesign.us](http://www.mossdesign.us)

### Tool Provided:



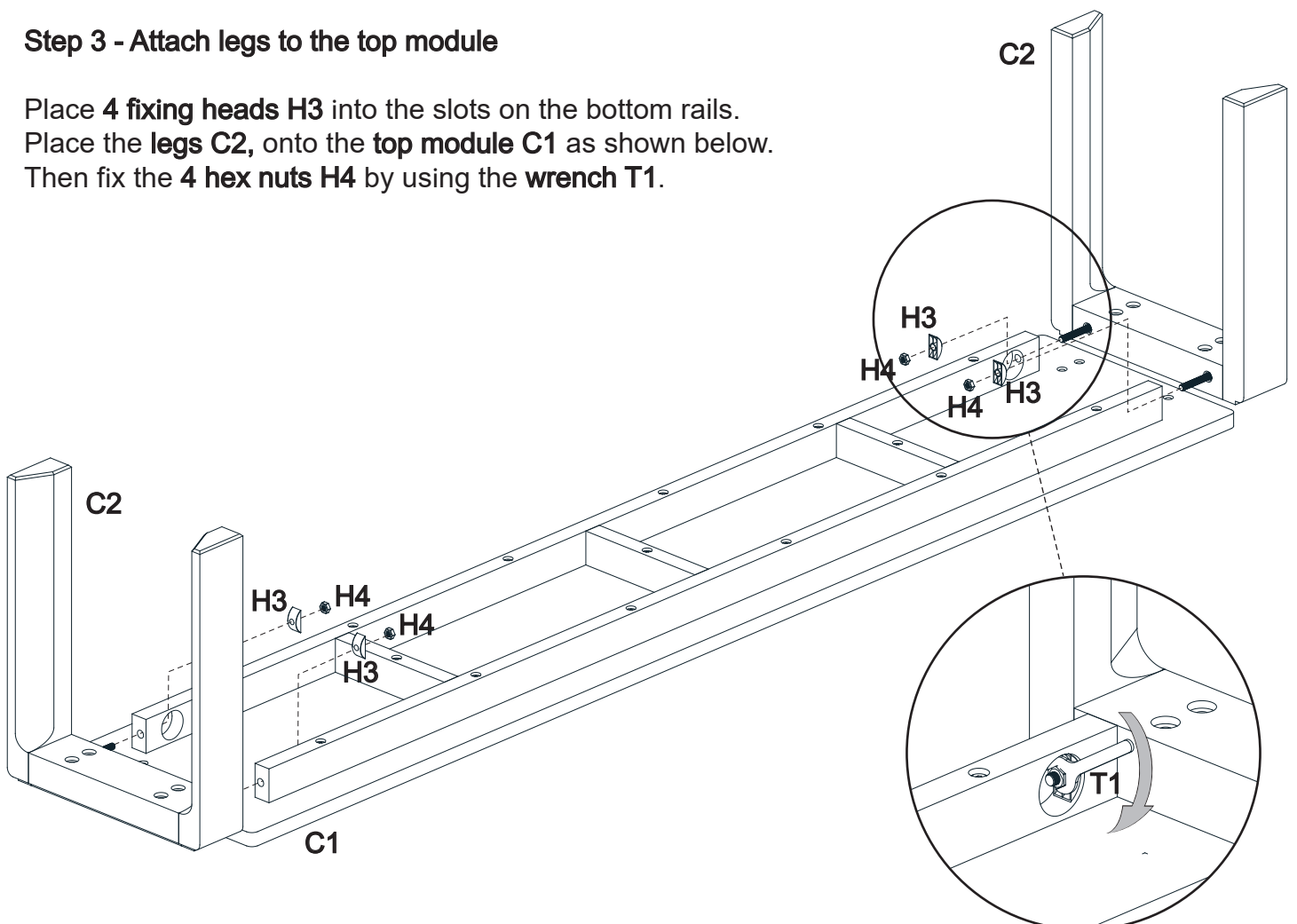
## Step 2 - Fix the headless bolt to legs.

Fix 4 headless bolts H1 to the legs C2, by hand.



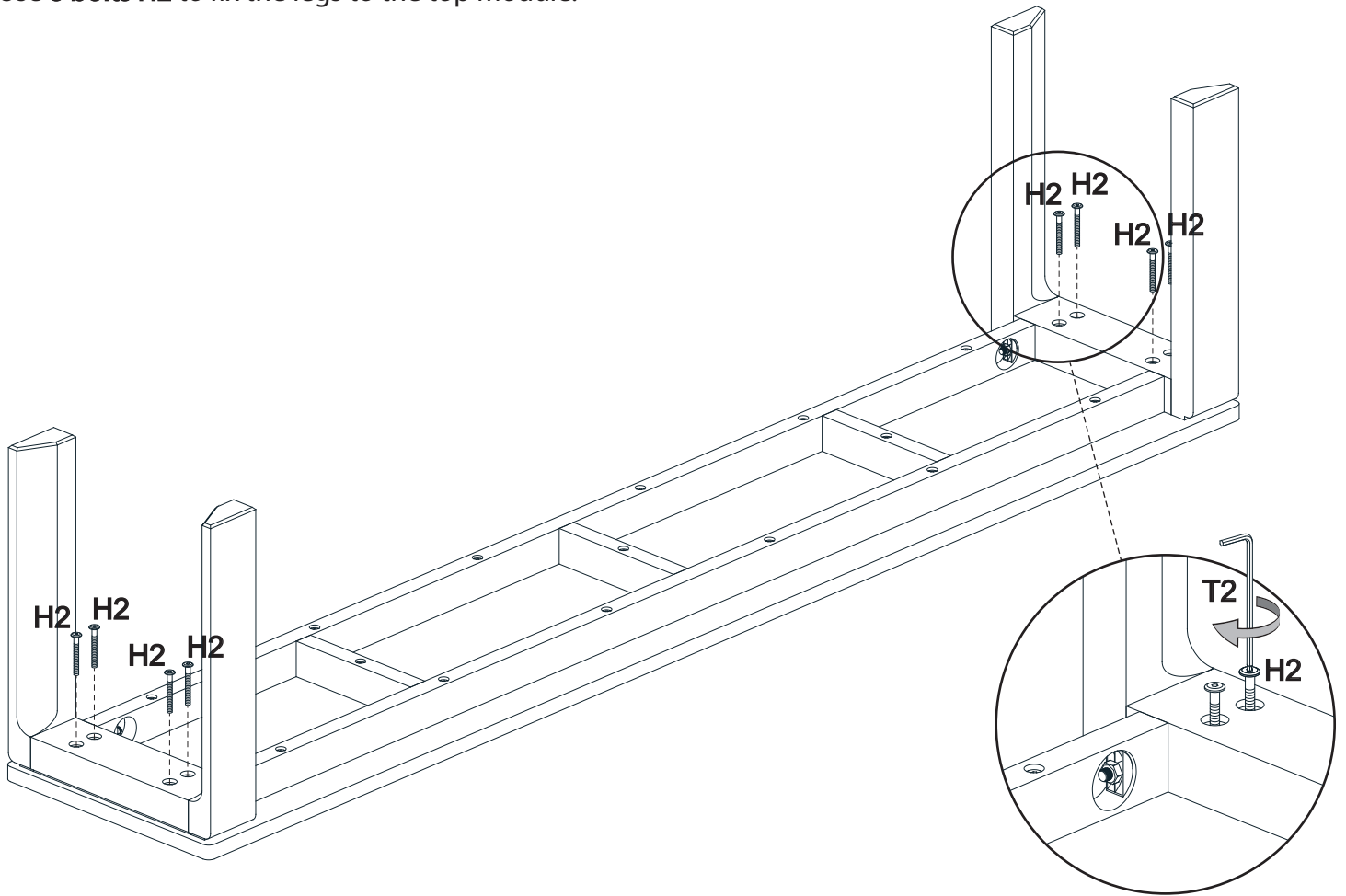
## Step 3 - Attach legs to the top module

Place 4 fixing heads H3 into the slots on the bottom rails.  
Place the legs C2, onto the top module C1 as shown below.  
Then fix the 4 hex nuts H4 by using the wrench T1.



**Step 4 - Fix the legs by using bolts.**

Use **8 bolts H2** to fix the legs to the top module.



**Step 5 - End of the assembly.**

Lift the unit to standing position carefully.

