

MOSS CHAIR



Tool Provided:

Placement and Maintenance

Your Moss Chair is designed for indoor use on level floors. Furniture with hard lacquer, wax polish or painted surface should be dusted with a dry cloth. Spillages should be wiped up as soon as possible. Our furniture will endure most temperatures in the home but it is best to avoid placing furniture next to heat sources such as radiators or fires.



H1 Allen Head Bolt
(Chrome) (M6x60mm) x8



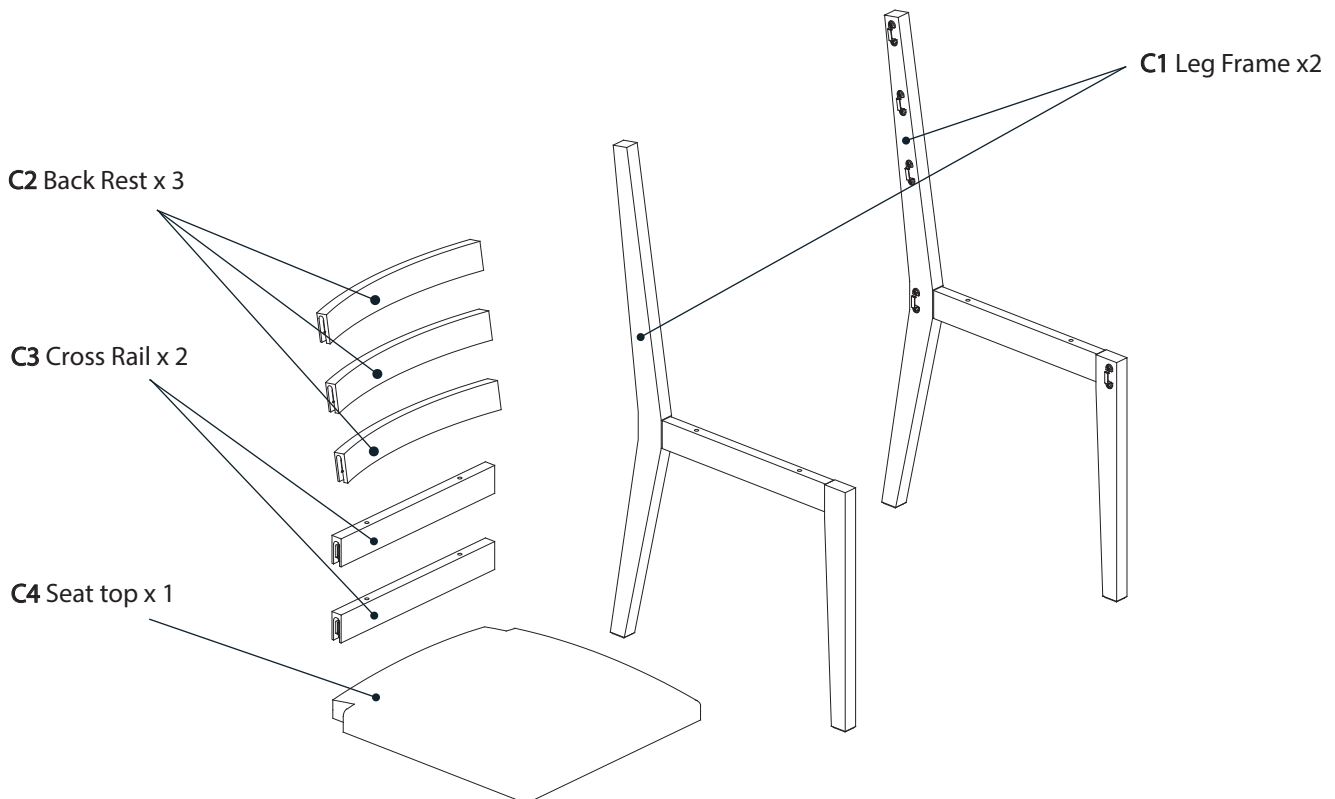
T1 M4 Allen Key x 1



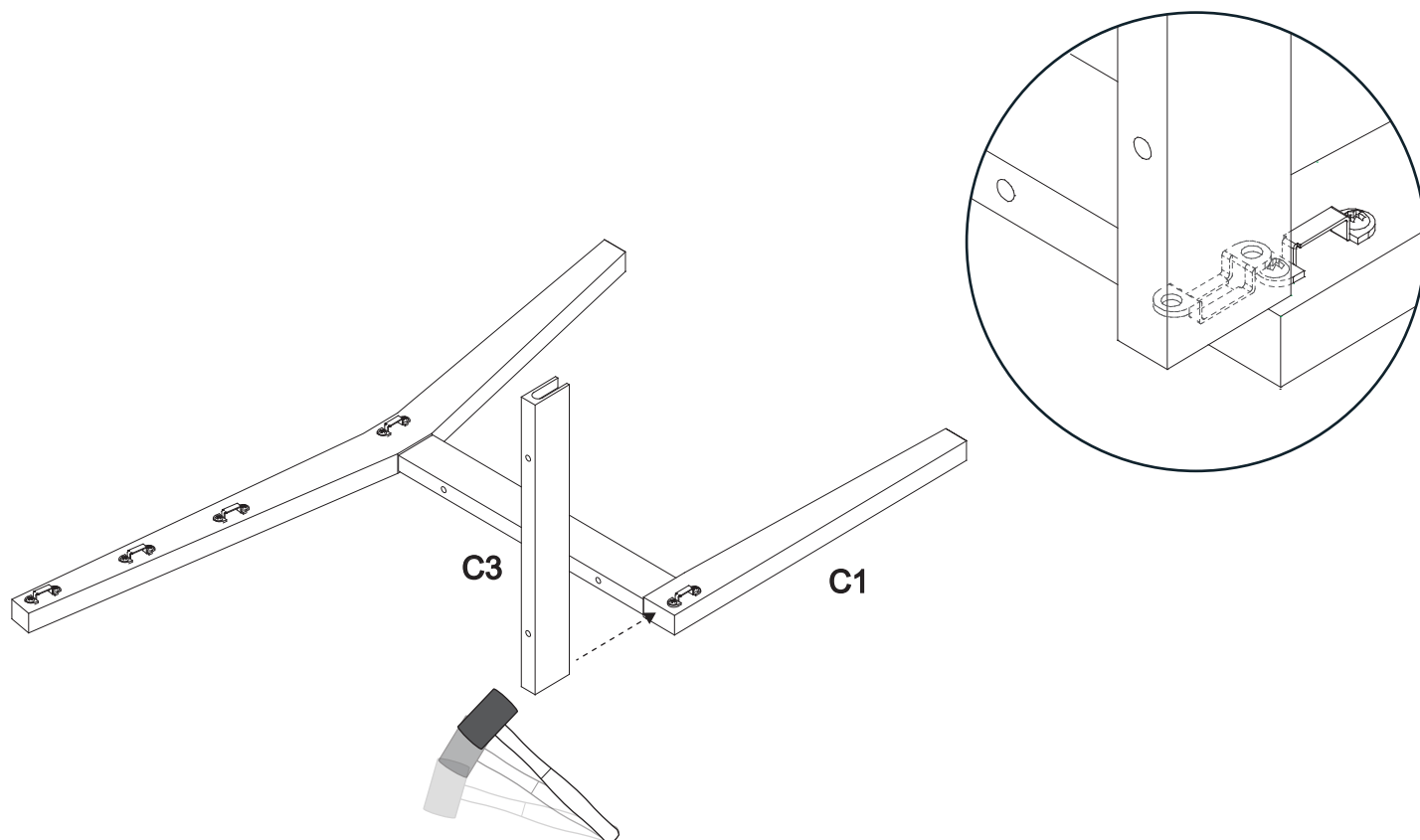
T2 Mallet x 1

Step 1

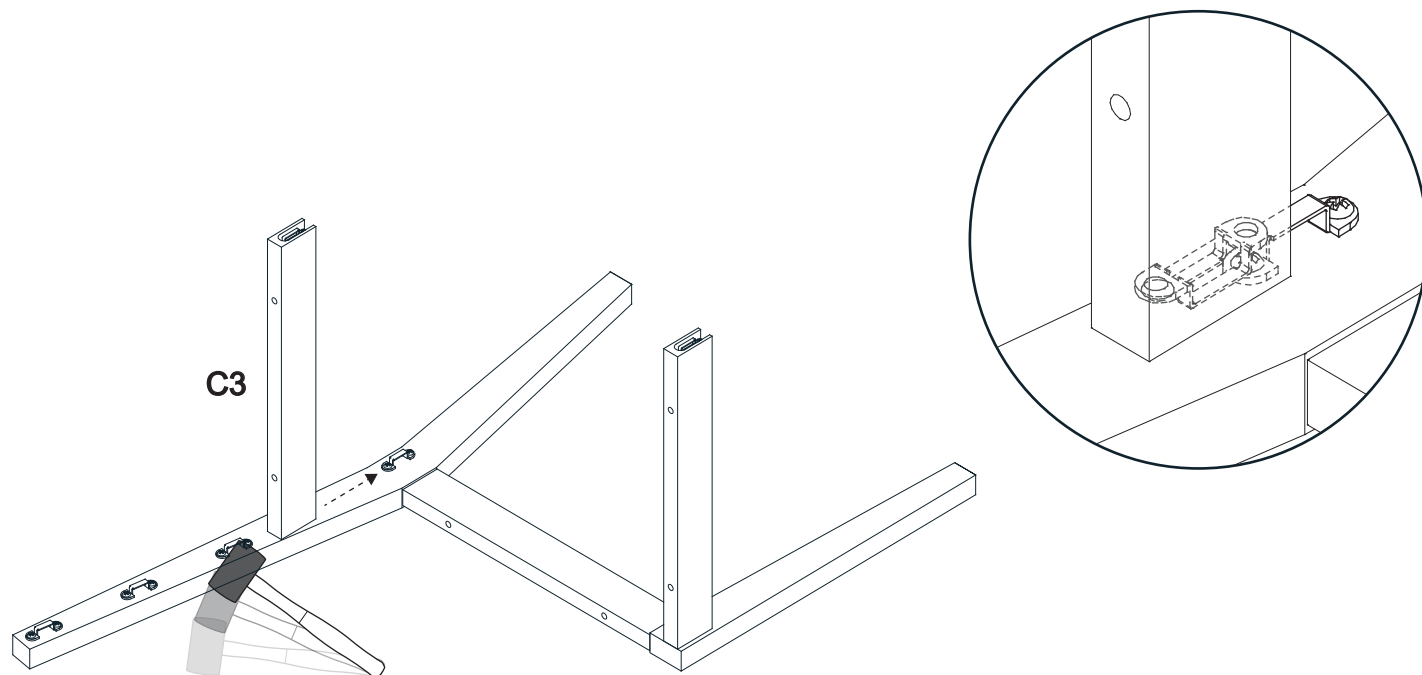
Unpack and identify the parts listed below. The assembly workspace should be a non-marring surface such as carpet. For missing hardware pieces, visit our website www.mossdesign.us



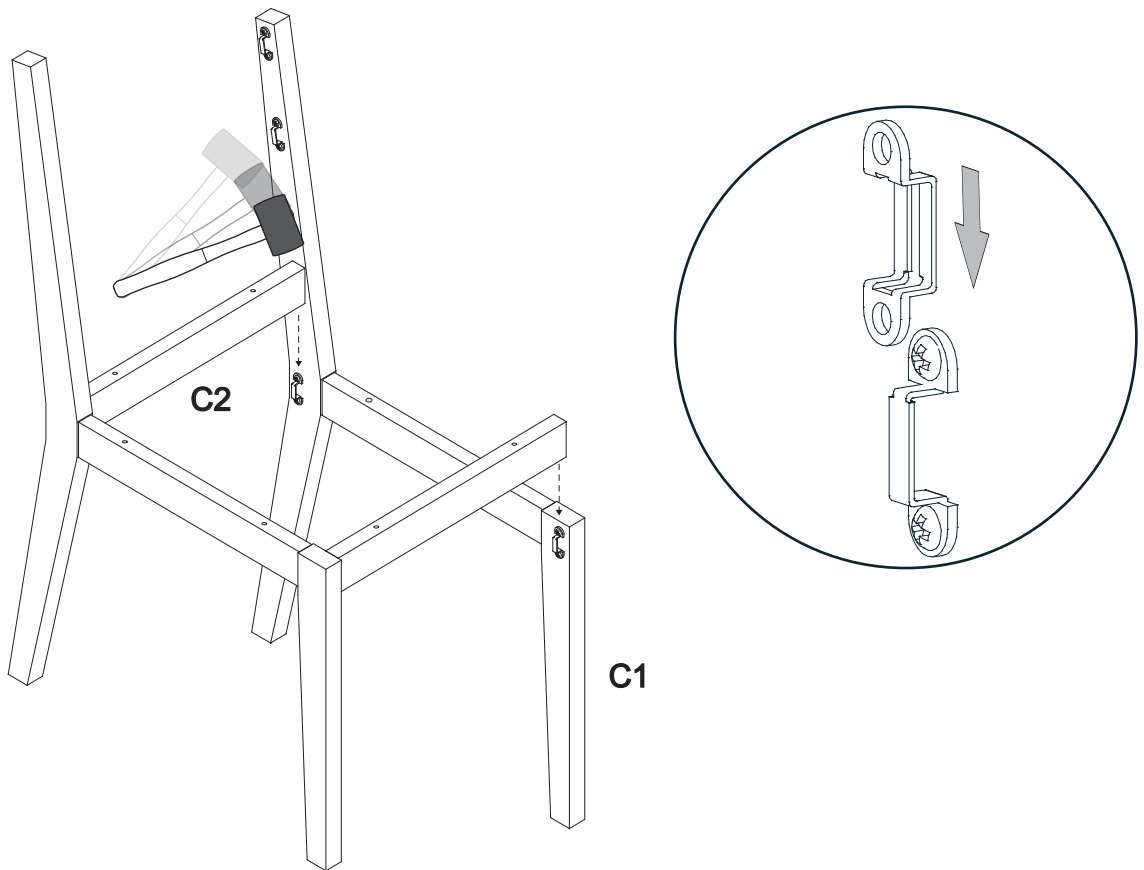
Step 2 - Attach the first cross rail C3 to the leg frame C1 as shown below.



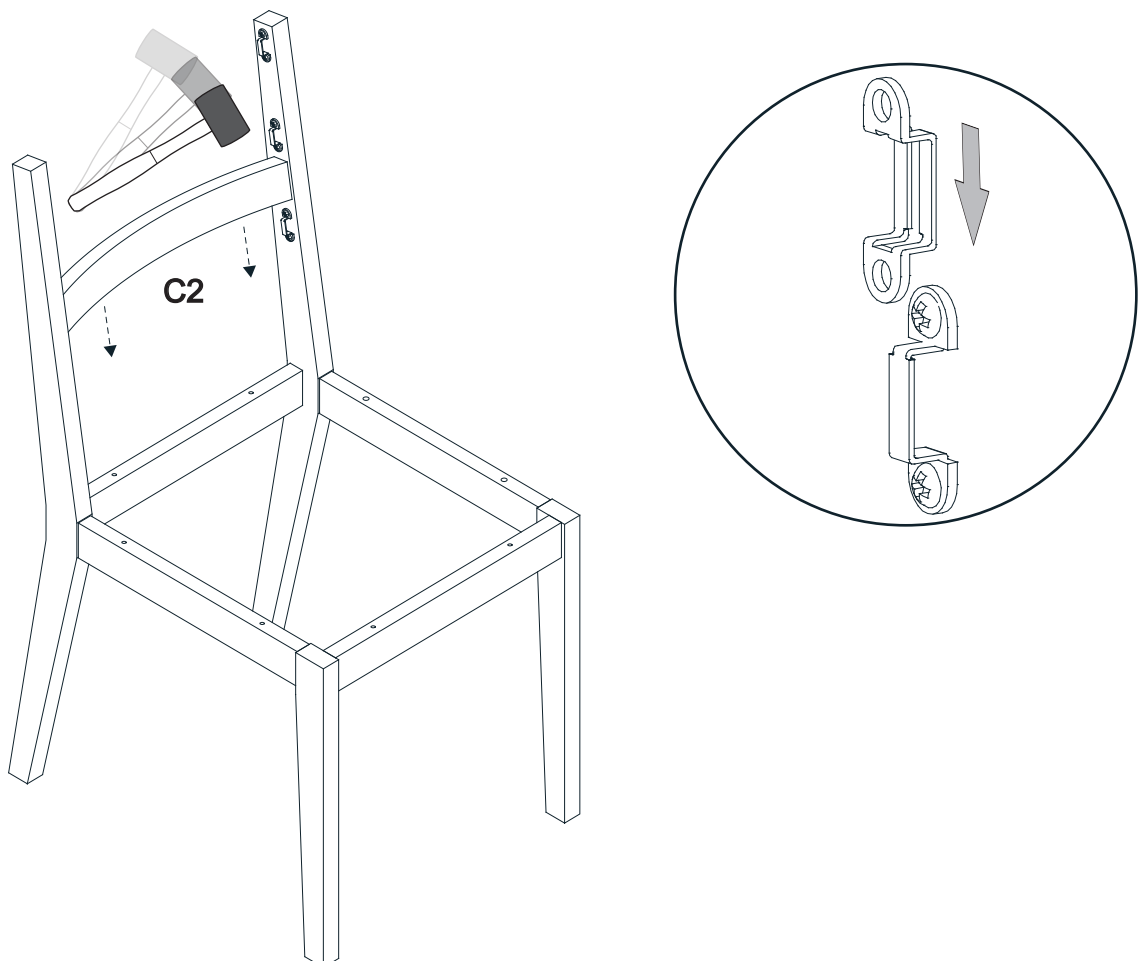
Step 3 - Attach the second cross rail C3 to the leg frame C1 as shown below.



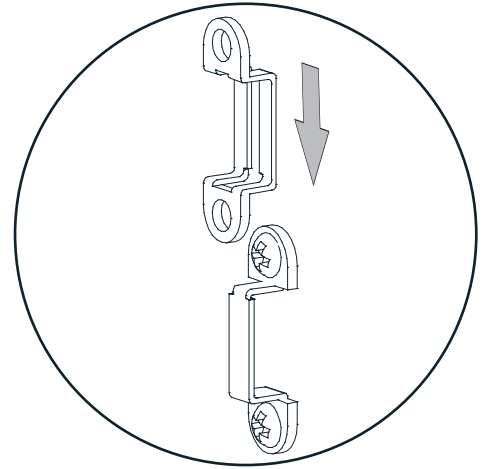
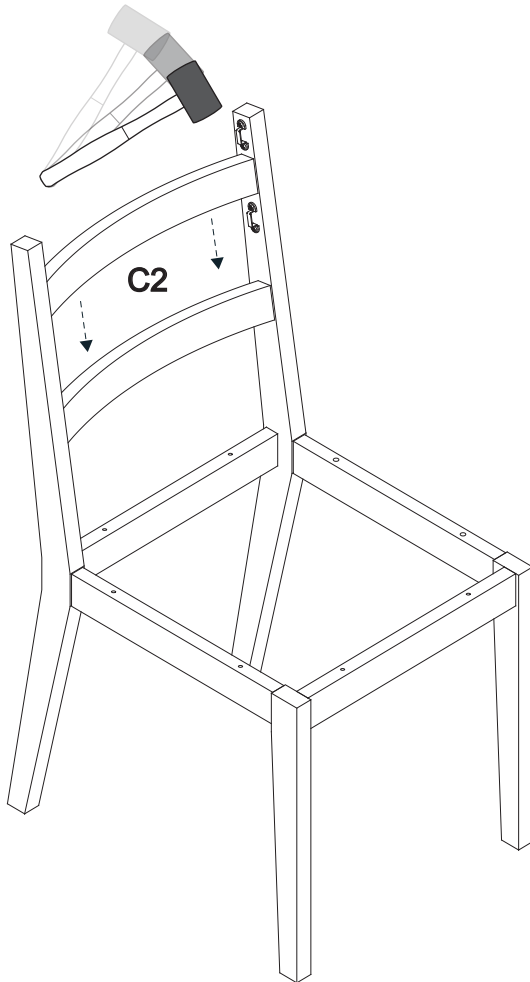
Step 4 - Attach the cross rails to the other leg frame C1 as shown below.



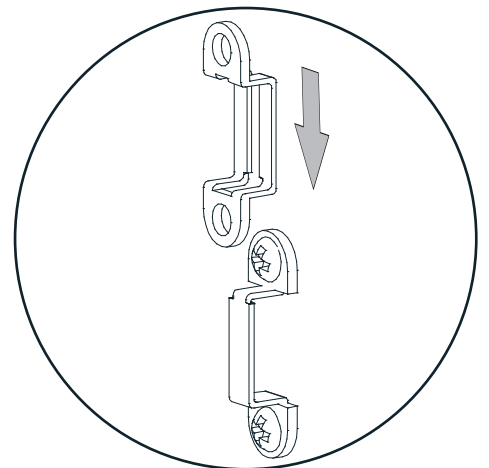
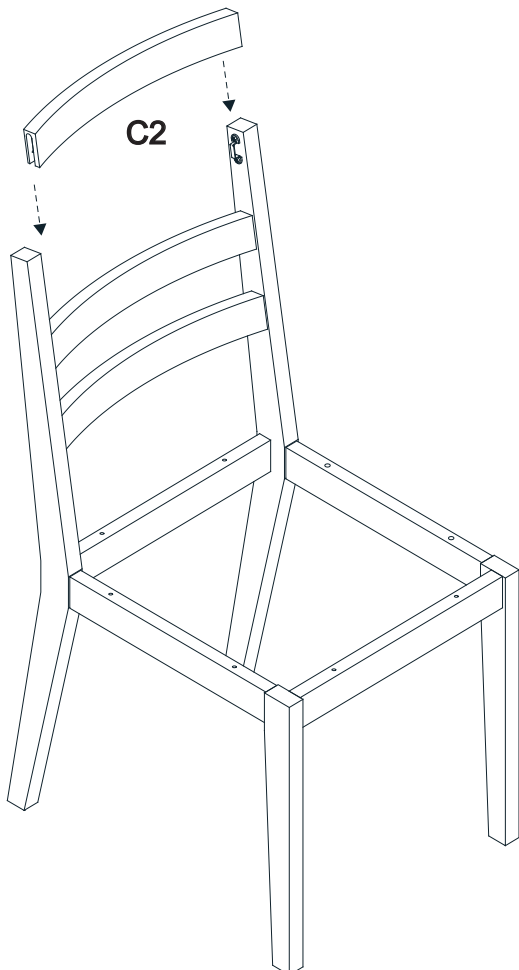
Step 5 - Install the first back rest C2 as shown below.



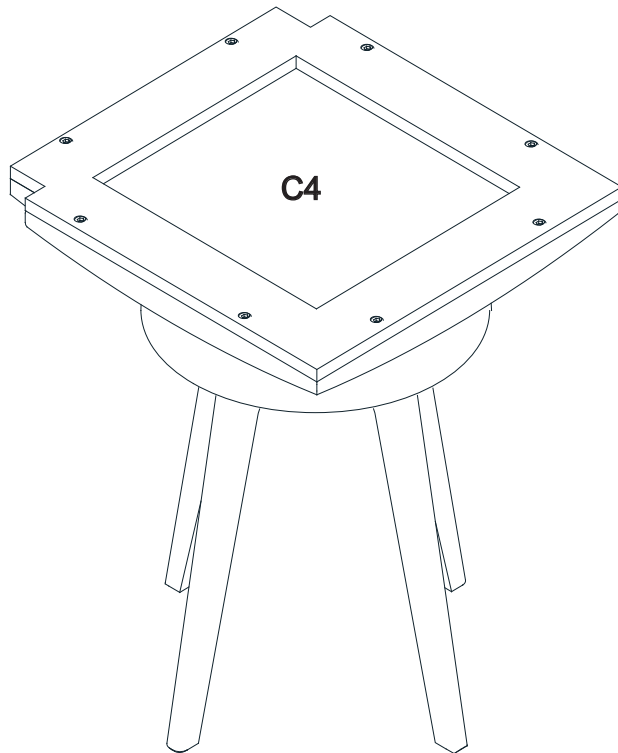
Step 6 - Install the second back rest C2 as shown below.



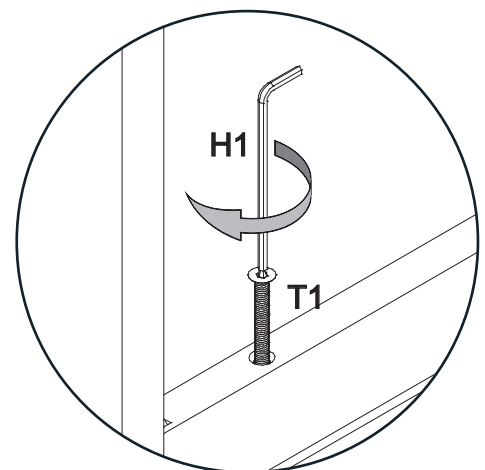
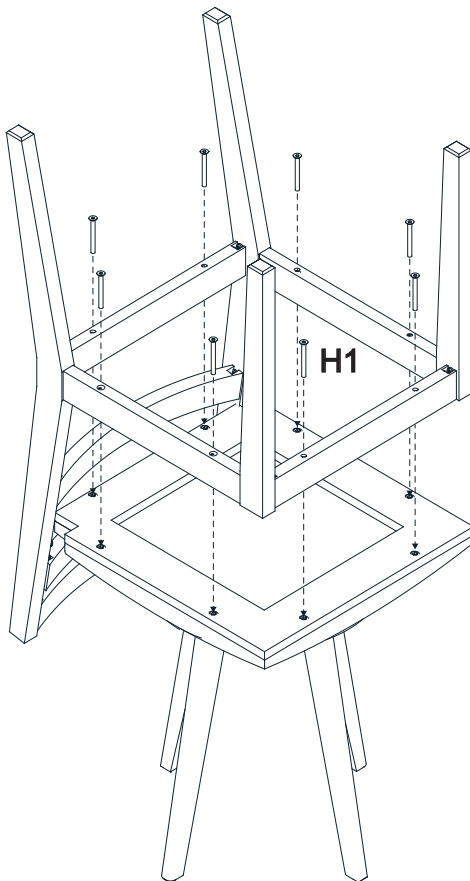
Step 7 - Install the third back rest C2 as shown below.



Step 8 - Place the **seat top C4** on a stool.



Step 9 - Place the chair on the seat top. Install **8x allen head bolts H1** as shown below. Tighten them by using **allen key T1**.



Step 10 - Lift the unit to standing position carefully.

