

MA SIDE TABLE



Placement and Maintenance

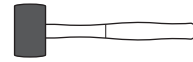
Your Ma Side Table is designed for indoor use on level floors.

Furniture with hard lacquer, wax polish or painted surface should be dusted with a dry cloth. Spillages should be wiped up as soon as possible. Our furniture will endure most temperatures in the home but it is best to avoid placing furniture next to heat sources such as radiators or fires.

Step 1

Unpack and identify the parts listed below. The assembly workspace should be a non-marring surface such as carpet. For missing hardware pieces, visit our website www.mossdesign.us

Tool Required:



Mallet or Hammer

Tool Provided:



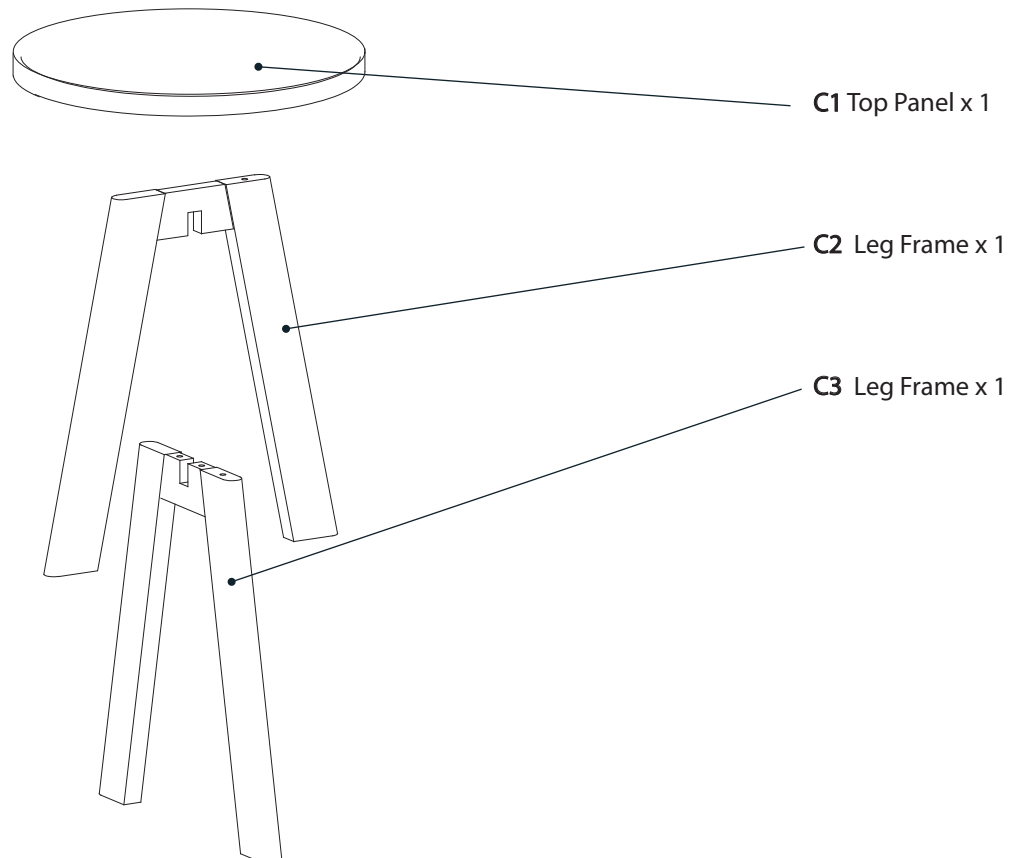
T1 M4 Allen Key x 1



H1 Wooden Dowel
(8x35mm) x 4

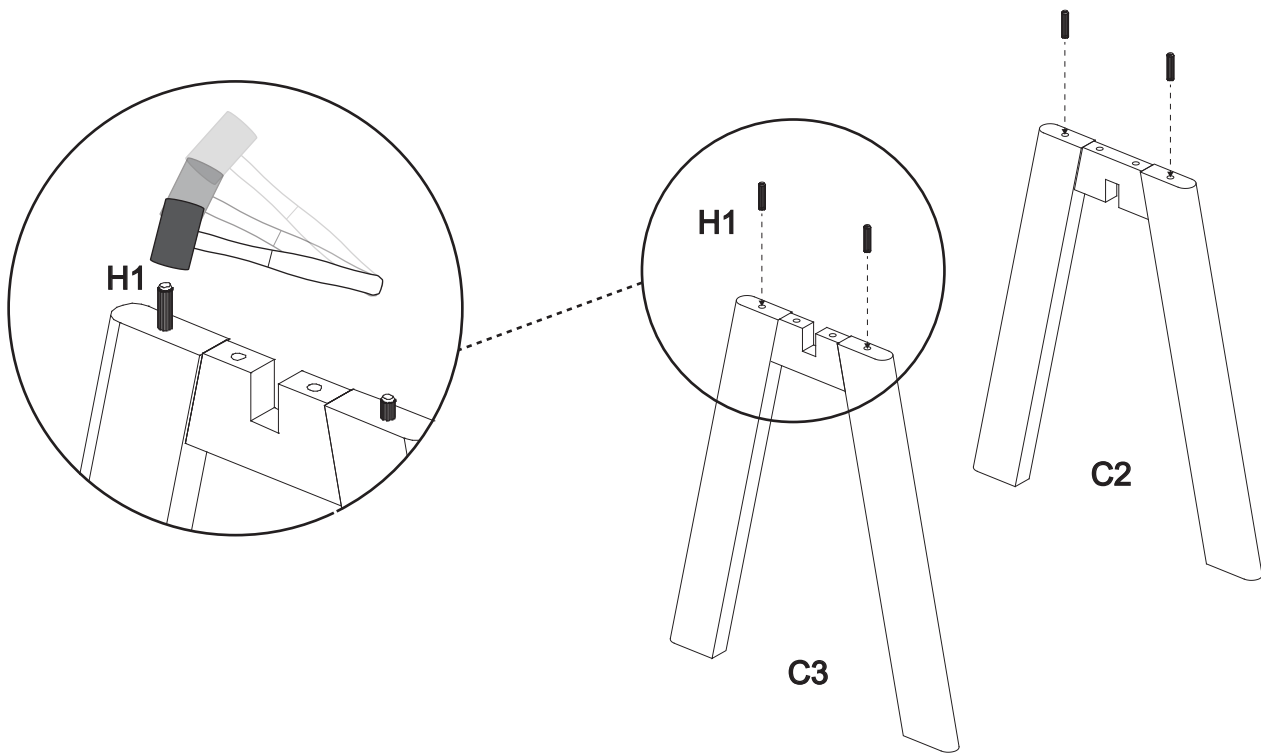


H2 Allen Head Bolts
(Black) (6x70mm) x 4



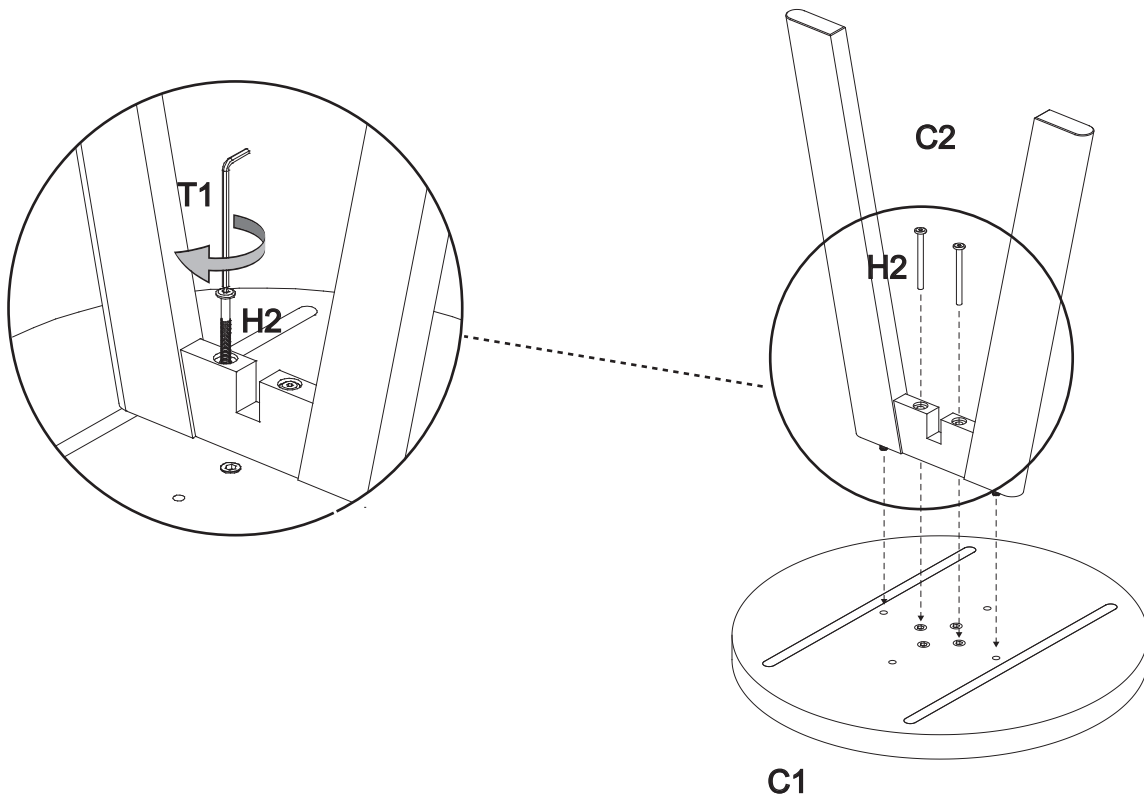
Step 2 - Attach the dowels to leg frames.

Insert **4 wooden dowels H1** into their slots by using a mallet.



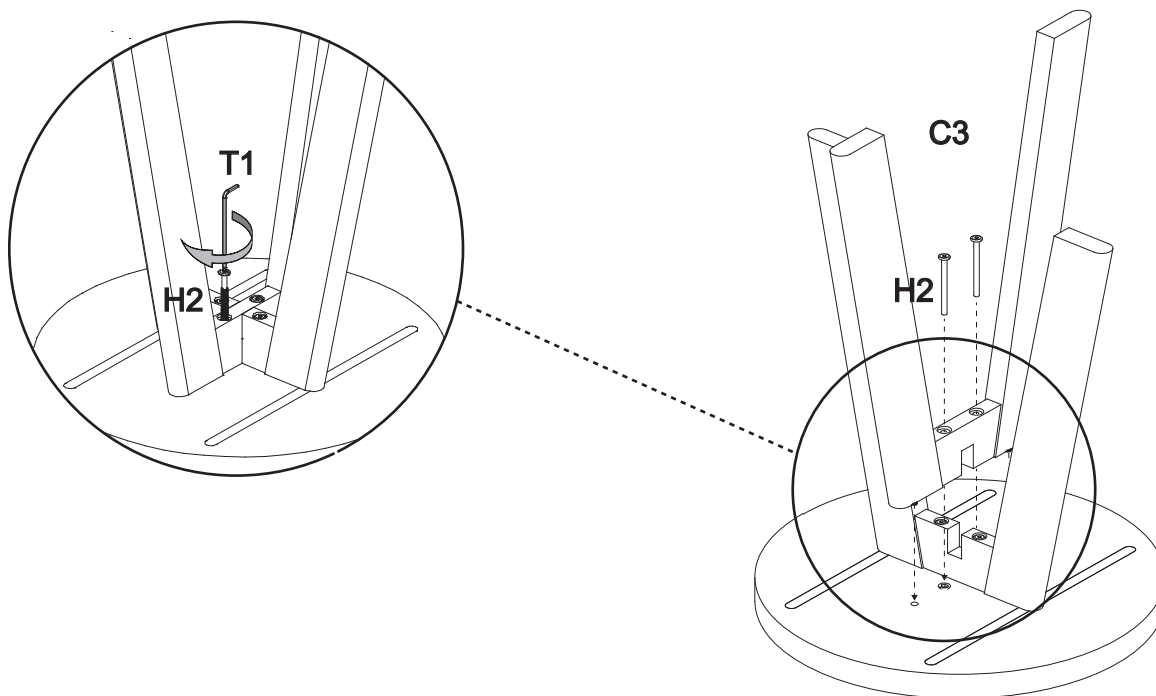
Step 3 - Place the leg frame on the top panel.

Place the **leg C2** under the **top panel C1** as shown below. Then insert **2 allen head bolts H2** into their slots and tighten with the **allen key T1**.



Step 4 - Attach the second leg frame.

Place the **leg frame C3** on the **leg C2** as shown below. Then insert **2 allen head bolts H2** into their slots and tighten with the **allen key T1**.



Step 5 - End of the assembly.

Lift the unit to standing position carefully.

