

MA COFFEE TABLE

MOSS
DESIGN

Placement and Maintenance

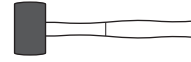
Your Ma Coffee Table is designed for indoor use on level floors.

Furniture with hard lacquer, wax polish or painted surface should be dusted with a dry cloth. Spillages should be wiped up as soon as possible. Our furniture will endure most temperatures in the home but it is best to avoid placing furniture next to heat sources such as radiators or fires.

Step 1

Unpack and identify the parts listed below. The assembly workspace should be a non-marring surface such as carpet. For missing hardware pieces, visit our website www.mossdesign.us

Tool Required:



Mallet or Hammer

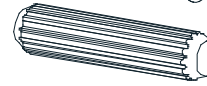
Tool Provided:



T1 M4 Allen Key x 1



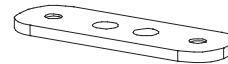
H1 Allen Head Bolts
(Black) (6x15mm) x 16



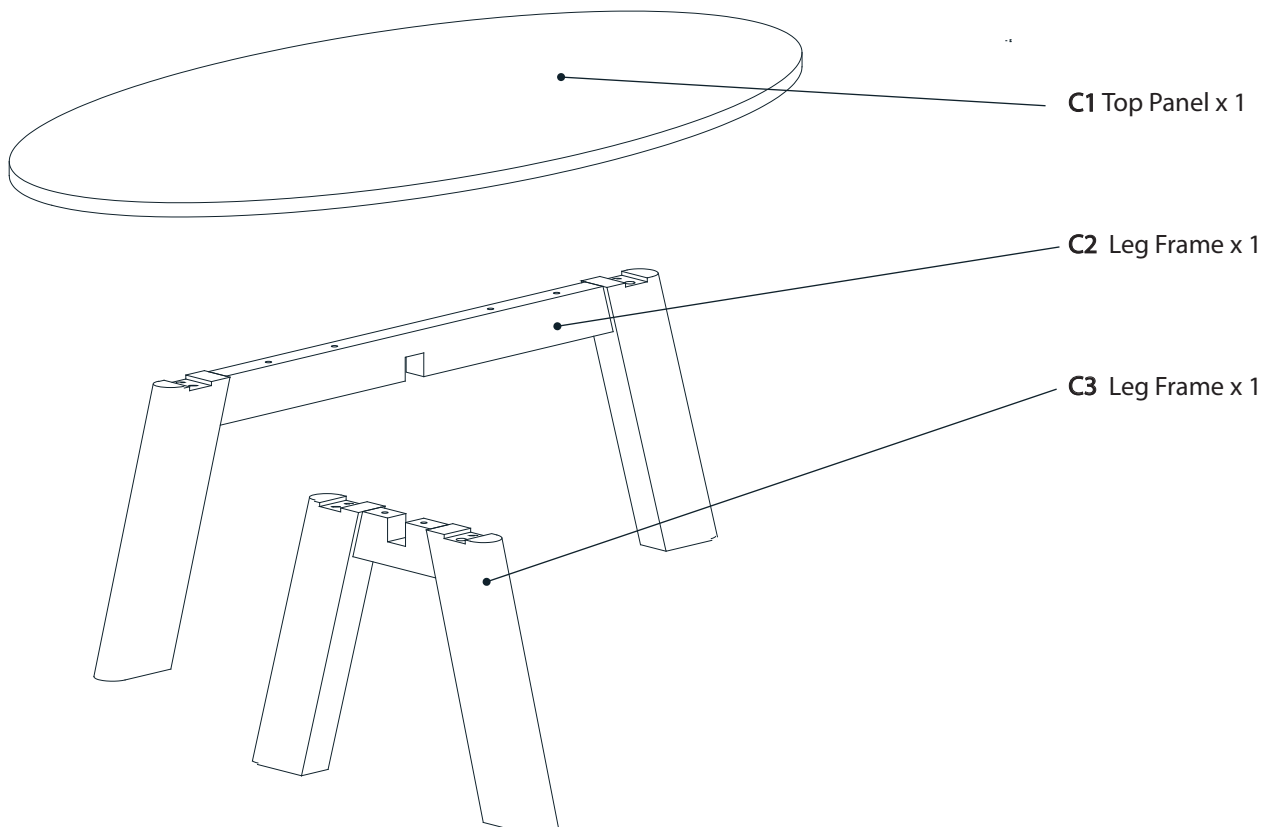
H2 Wooden Dowel
(8x35mm) x 2



H3 Allen Head Bolts
(Chrome) (6x70mm) x 4

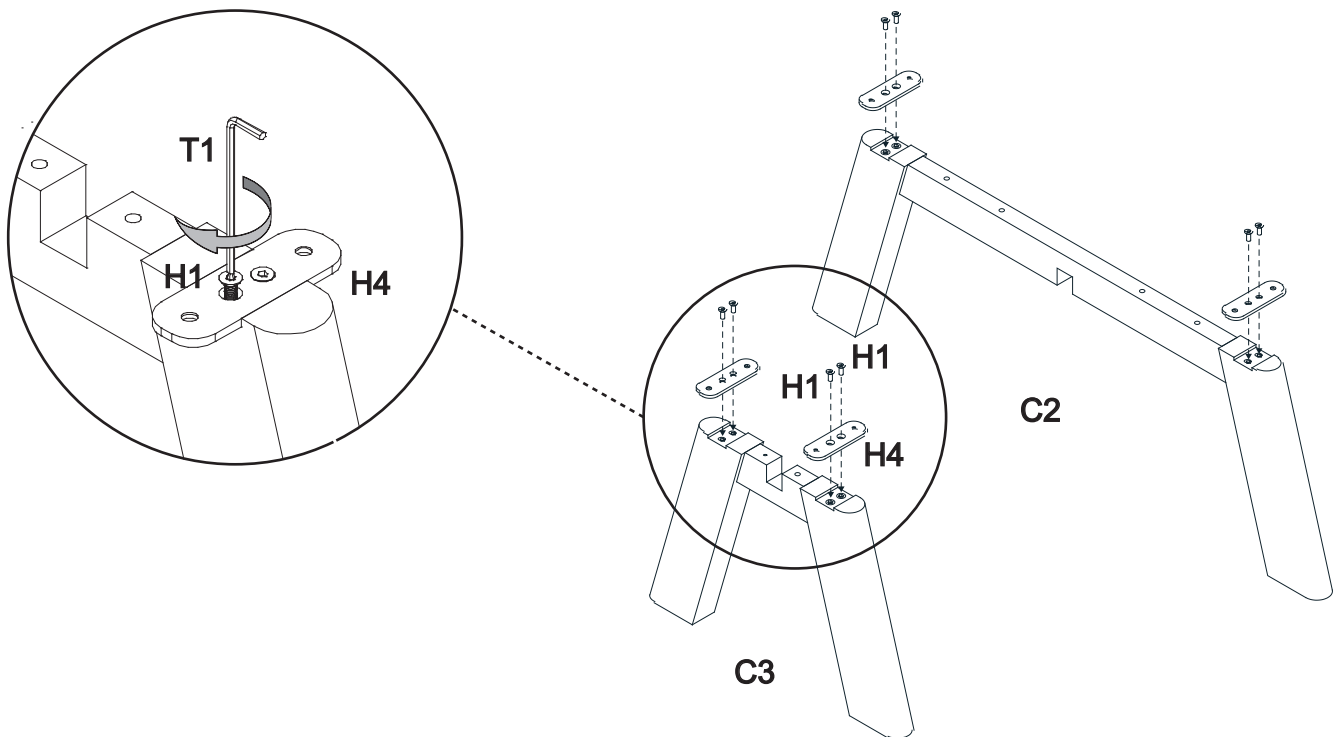


H4 Metal Bracket
(Black) x 4



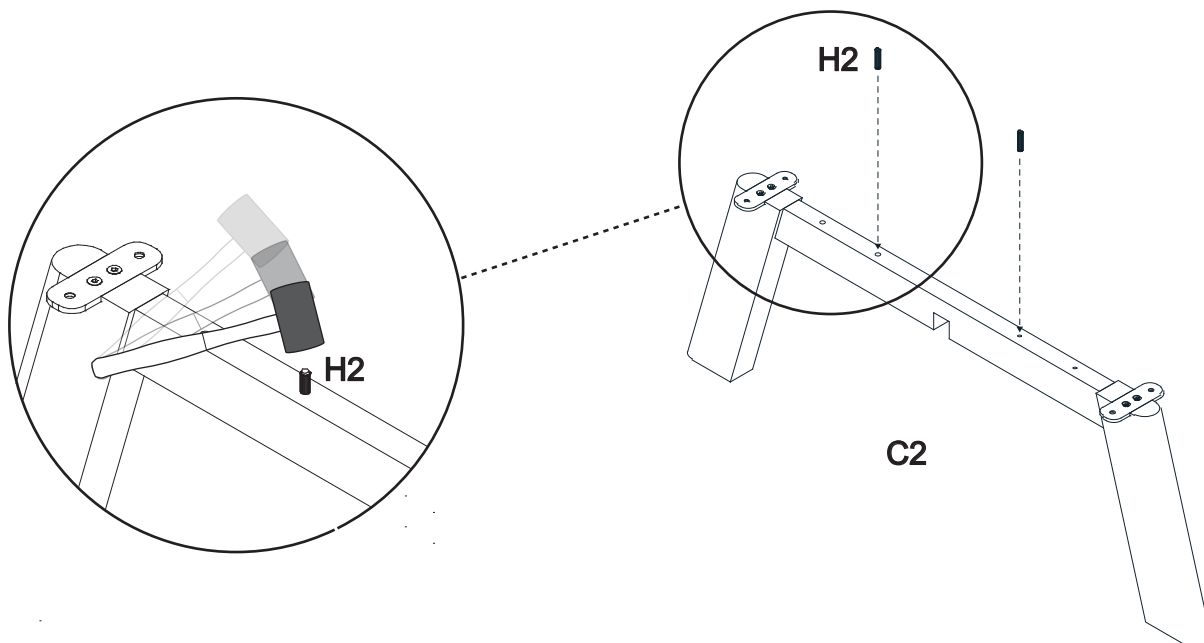
Step 2 - Attach the metal brackets.

Attach **4 metal brackets H4** onto the leg frames by using the **allen key T1**.



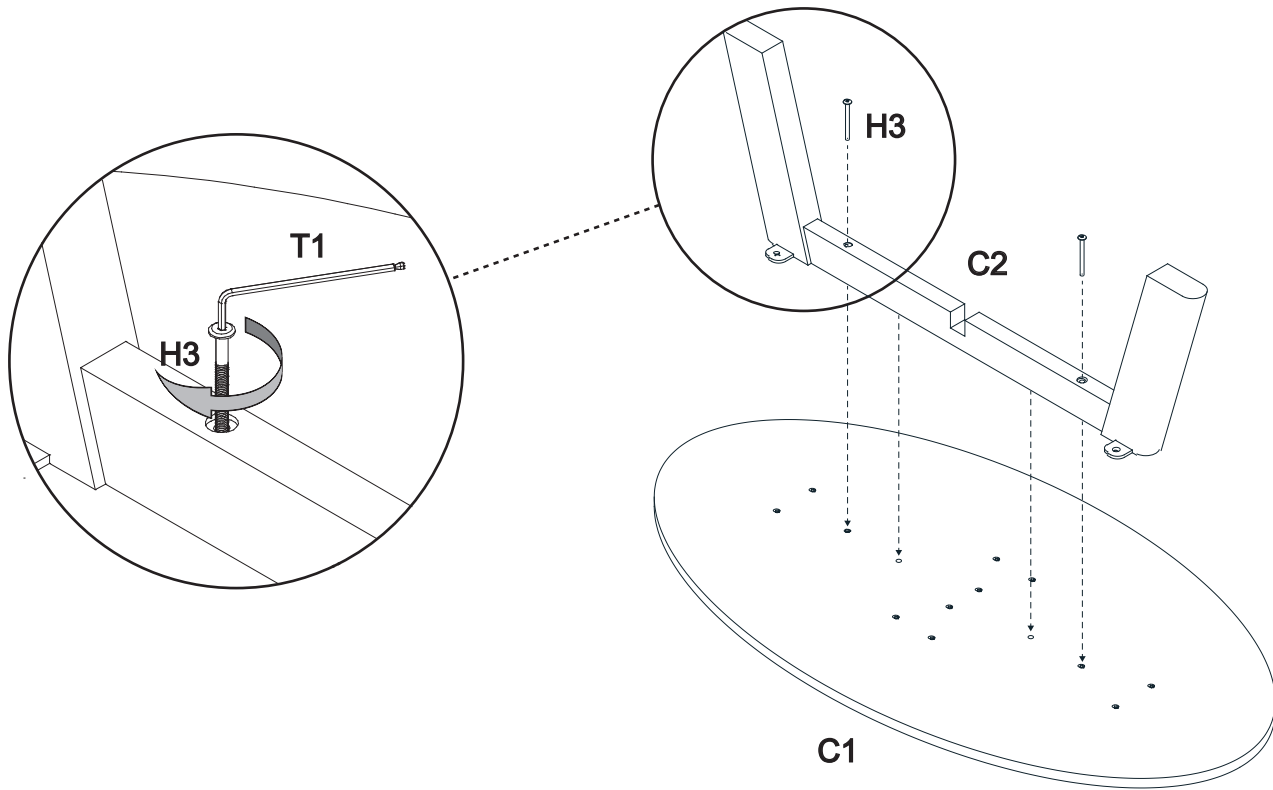
Step 3 - Insert the wooden dowels

Insert **2 wooden dowels H2** into their slots on the **leg frame C2** by using a **mallet**.



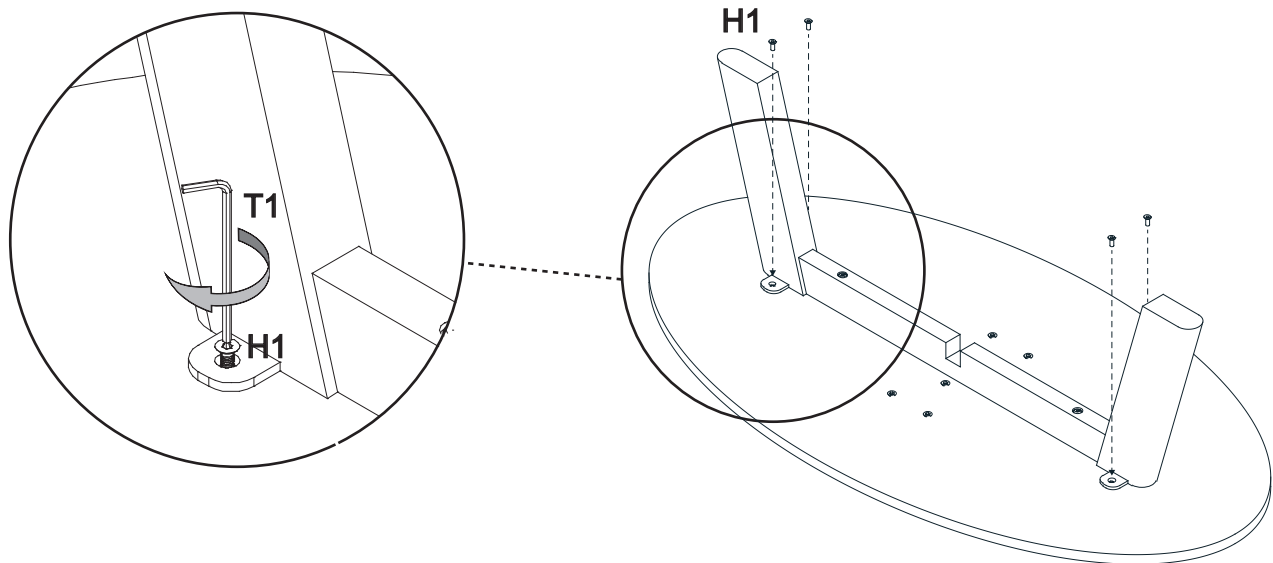
Step 4 - Place the leg on the top panel.

Place the **leg frame C2** under the **top panel C1** as shown below. Then insert **2 allen head bolts H3** into their slots and tighten with the **allen key T1**.



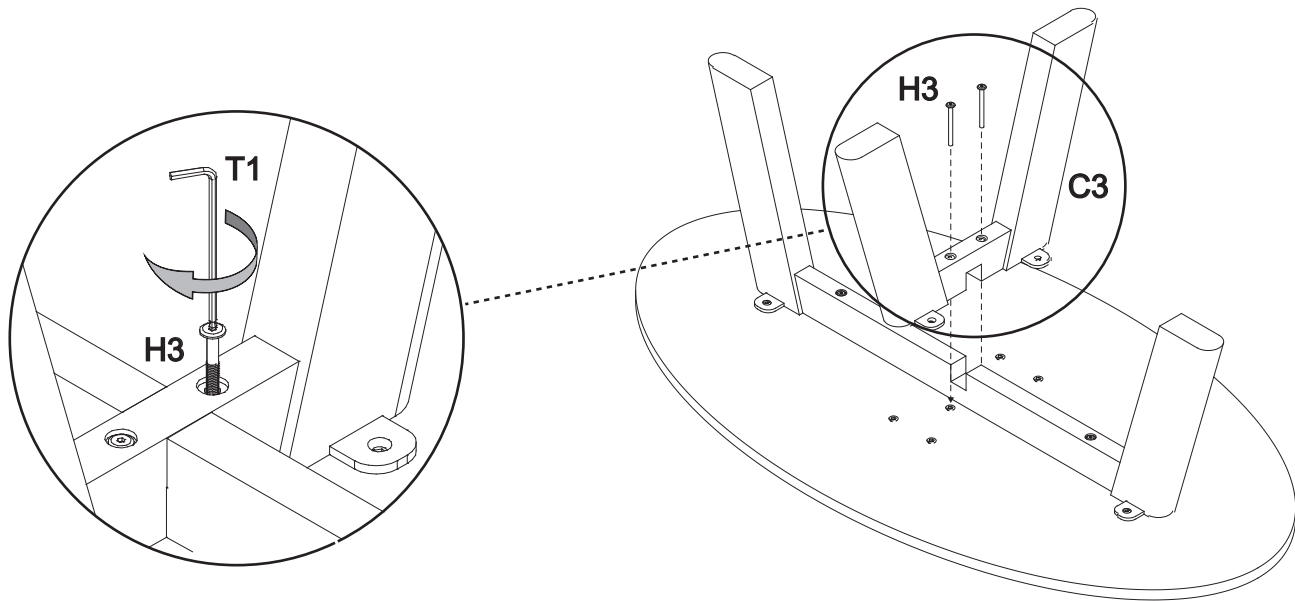
Step 5 - Attach the metal brackets.

Attach the metal brackets to the top module by using **4 allen head bolts H1** and the **allen key T1**.



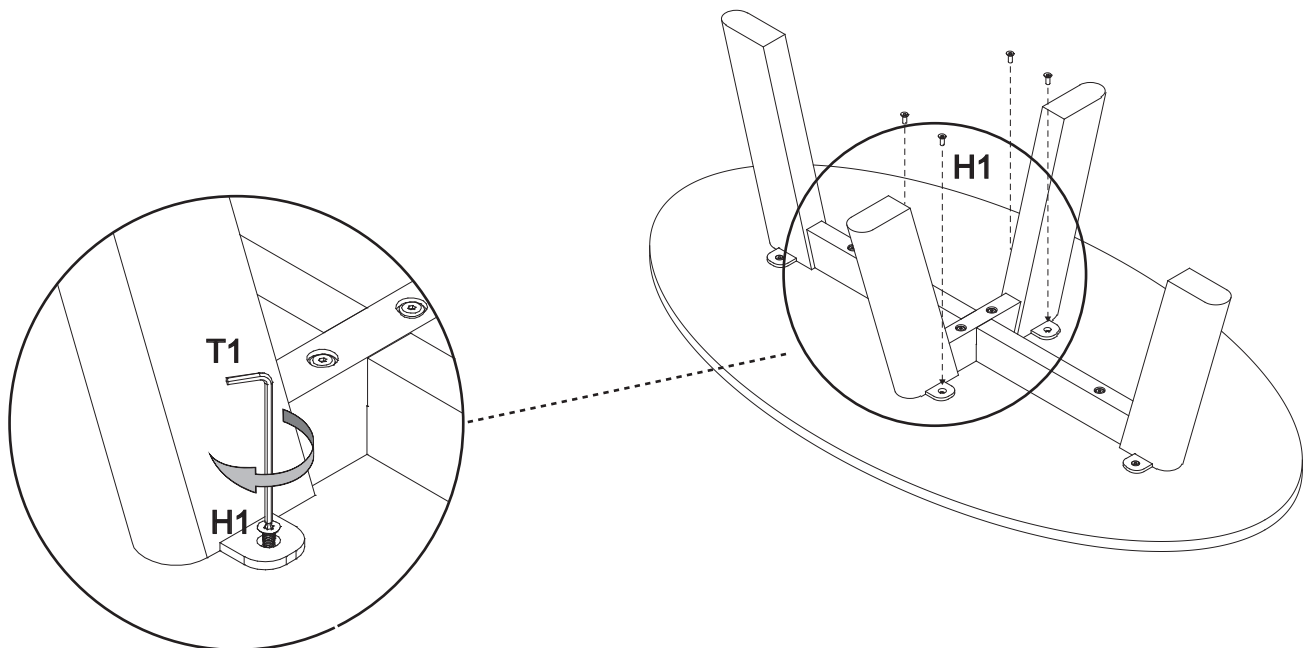
Step 6 - Attach the second leg frame.

Place the **leg frame C3** on the **top module C1** as shown below. Then insert the **2 Allen head bolts H3** into their slots and tighten with the **allen key T1**.



Step 7 - Attach the metal brackets.

Attach the metal brackets to the top module by using **4 allen head bolts H1** and the **allen key T1**.



Step 8 - End of the assembly.

Lift the unit to standing position carefully.

