

LOFT CAISSON



Placement and Maintenance

Your Loft Caisson is designed for indoor use on level floors. Furniture with hard lacquer, wax polish or painted surface should be dusted with a dry cloth. Spillages should be wiped up as soon as possible. Our furniture will endure most temperatures in the home but it is best to avoid placing furniture next to heat sources such as radiators or fires.

Step 1

Unpack and identify the parts listed below. The assembly workspace should be a non-marring surface such as carpet. For missing hardware pieces, visit our website www.mossdesign.us

Tool Required:



Mallet or Hammer

Tool Provided:



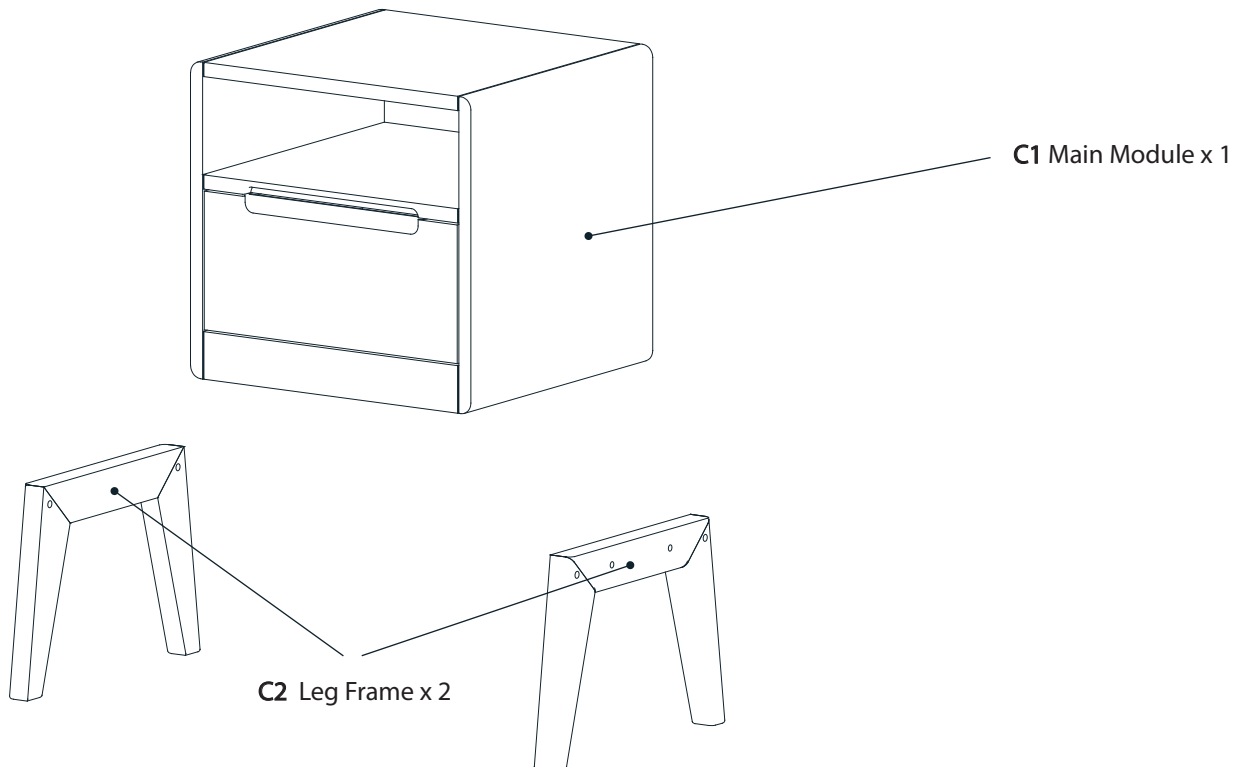
T1 M4 Allen Key x 1



H1 Wooden Dowel
(8x35mm) x 4

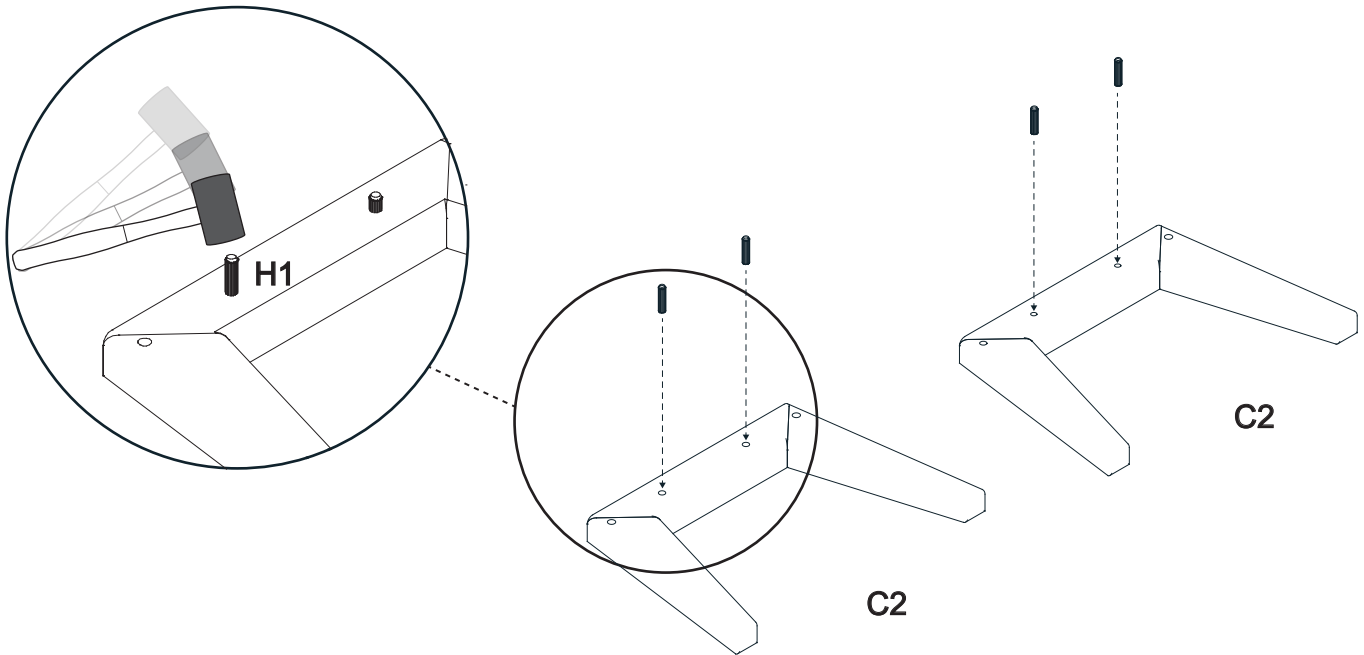


H2 Allen Head Bolts
(Chrome) (6x40mm) x 4



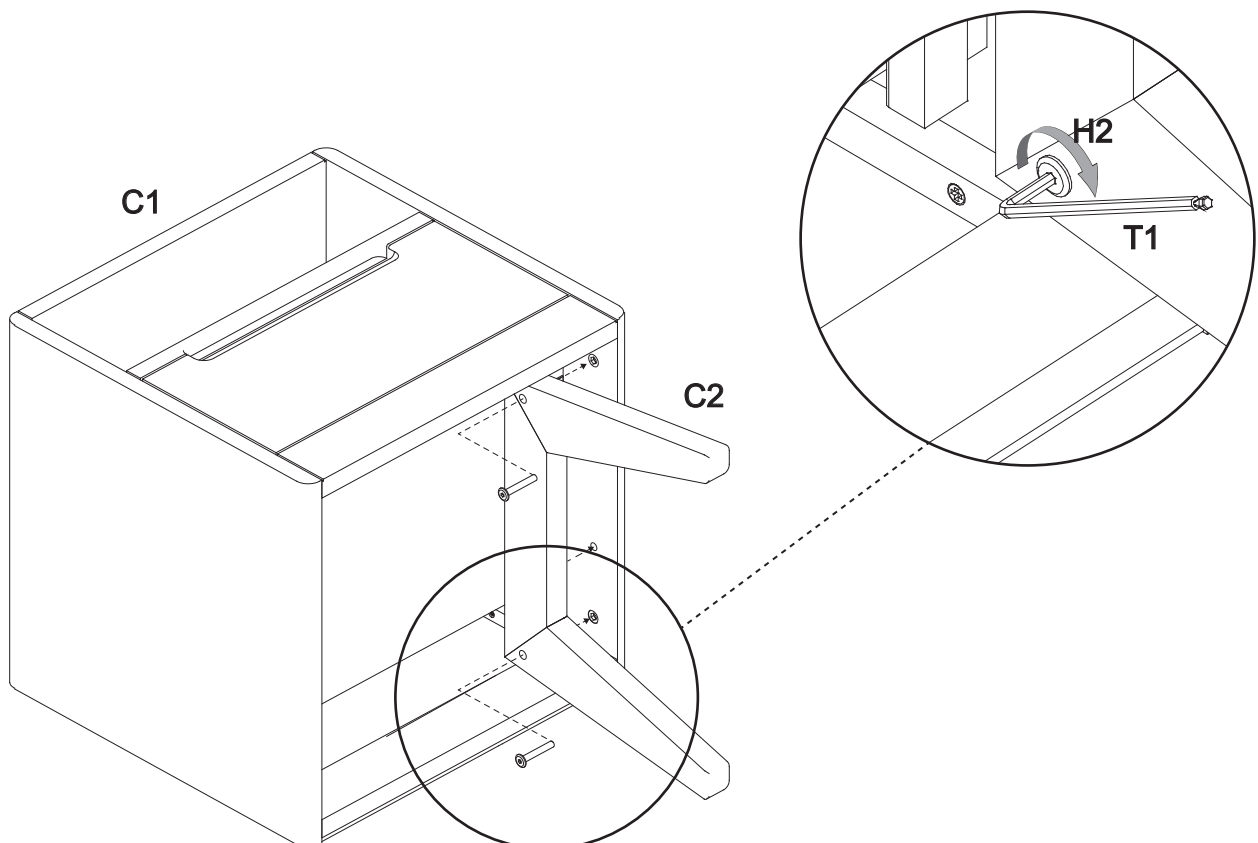
Step 2 - Insert dowels onto the gaps leg frames.

Insert **4 wooden dowels H1** onto the gaps **2 leg frames C2** by using a soft hammer.



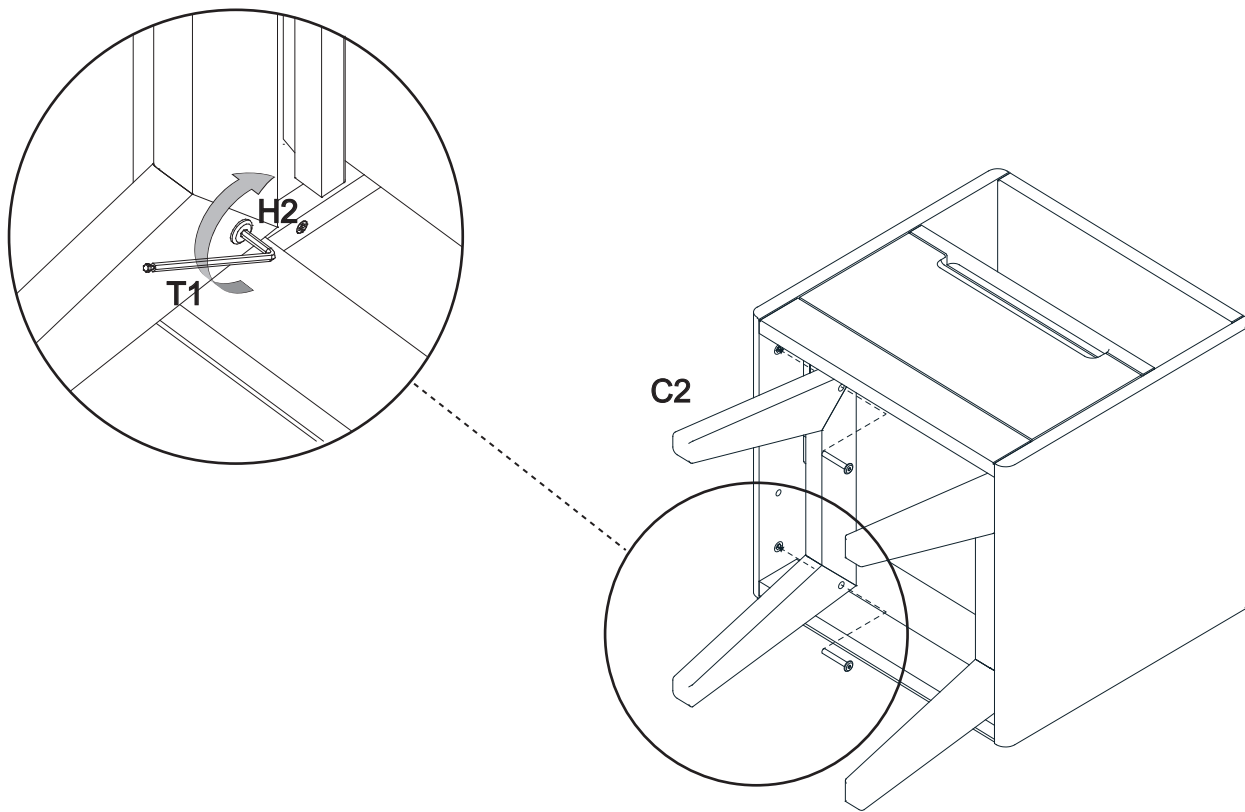
Step 3 - Attach the first leg frame to the main module.

Attach the **leg frame C2** to the **main module C1** by using **2 allen head bolts H2** as shown below. Tighten using an **allen key T1**.



Step 4 - Attach the second leg frame to the main module.

Attach the **leg frame C2** to the **main module C1** by using **2 allen head bolts H2** as shown below. Tighten using an **allen key T1**.



Step 5 - End of the assembly.

Lift the unit to standing position carefully.

